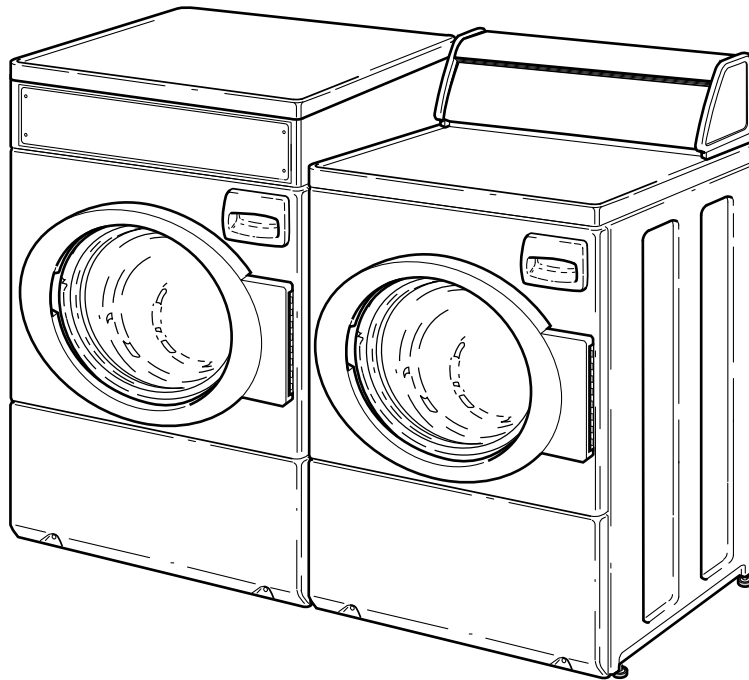


Home Frontload Washers

Refer to Page 3 for Model Numbers



FLW1536C_802849

Table of Contents

Title	Page
Parts Ordering Information.....	2
Serial Plate Location	2
Model Identification	3
Cabinet Top, Control Panel and Controls	4
Control Cabinet and Controls.....	6
Graphic Panel, Control Support Panel and Controls	8
Cabinet Top and Control Hood Rear Panel	10
Front Panel, Door Assembly and Door Seal	12
Dispenser Assembly	14
Mixing Valve, Fill Hose and Valve-to-Dispenser Hose.....	16
Outer Tub, Front and Clamp Ring.....	18
Inner Basket, Trunnion, Bearing Housing and Pulley	20
Motor and Belt.....	22
Drain Hose and Pump.....	24
Base, Side Panels and Rear Panel.....	26
Special Tools	28
Labels	30
Shipping Materials	32
Wire Ties, Harness Clips and Lead-In Cord.....	34
Wire Harnesses and Wires	36
Parts Index.....	39

© Copyright 2022, Alliance Laundry Systems LLC

All rights reserved. No part of the contents of this book may be reproduced or transmitted in any form or by any means without the expressed written consent of the publisher.

Parts Ordering Information

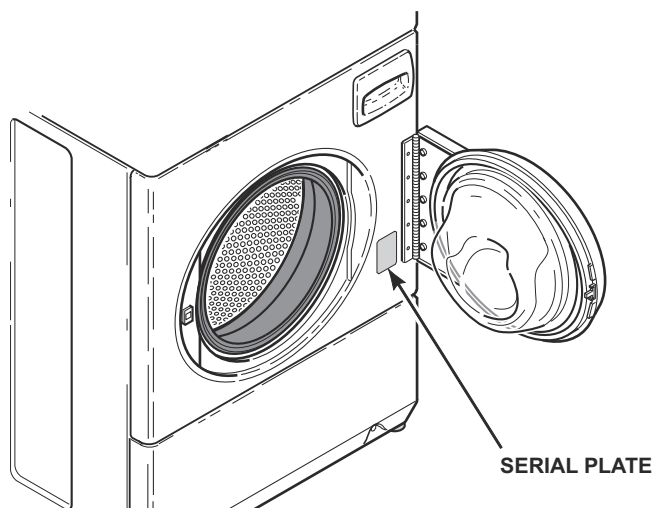
If literature or replacement parts are required, contact the source from whom the machine was purchased or contact Alliance Laundry Systems at (920) 748-3950 for the name and address of the nearest authorized parts distributor.

For technical assistance, call the number listed below:

(920) 748-3121 Ripon, Wisconsin

Serial Plate Location

When calling or writing about your product, be sure to mention model and serial numbers. Model and serial numbers are located on serial plate(s) as shown.



FLW2123N_802849

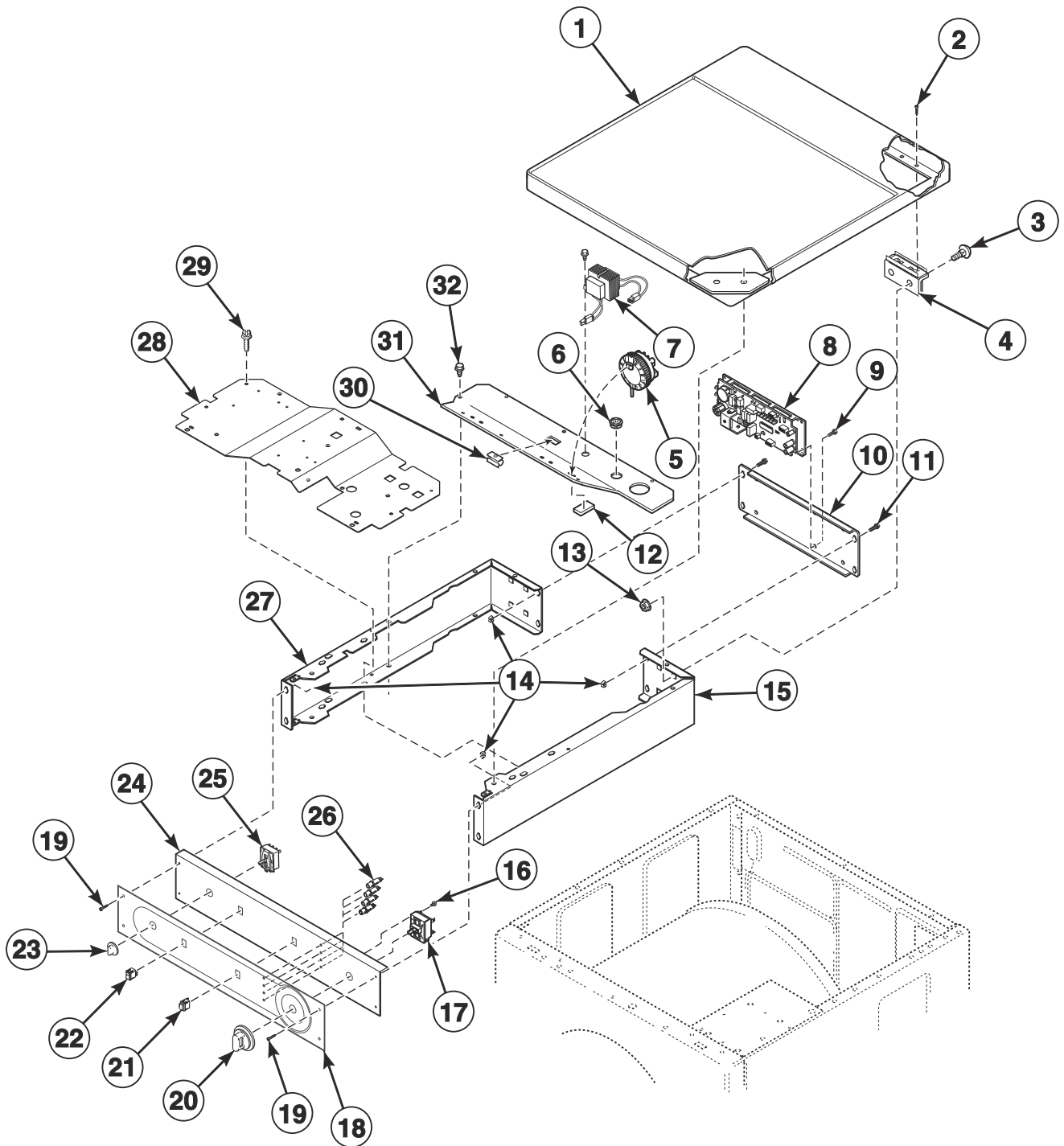
Model Identification

Information in this manual is applicable to these washer models:

AFB50RSP111TW01
AFN50FSP111TW01
AFN50RSP111TW01
AFN51FSP111TN01
ATSA0AWN
ATSA5AWN
CTSA0AWN

Cabinet Top, Control Panel and Controls

Models AFN50FSP111TW01 and CTSA0AWN



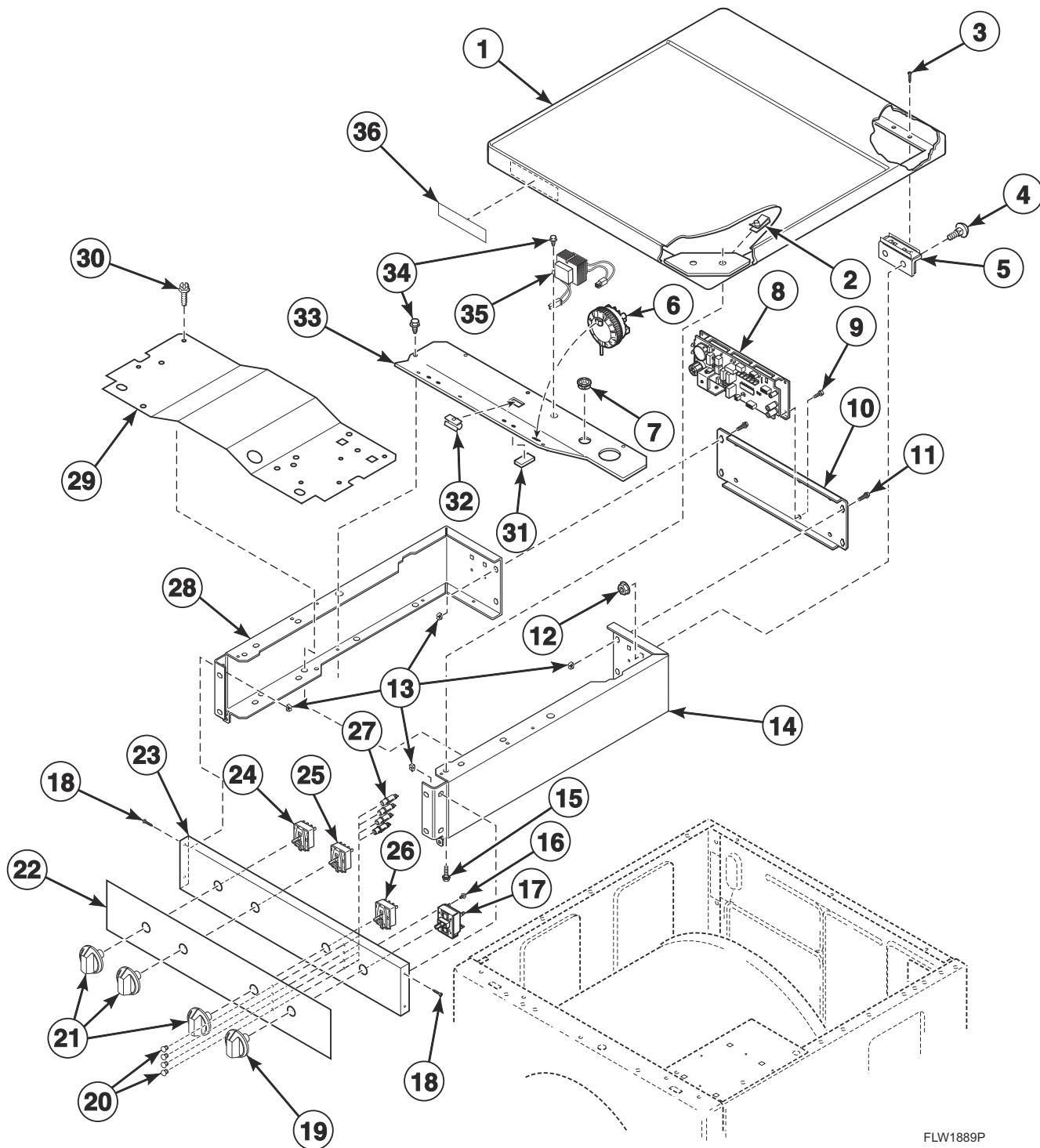
FLW1888P

Cabinet Top, Control Panel and Controls

REF	PART NO.	DESCRIPTION	COMMENTS
1	802247WP	Top and Gusset Assembly	
2	685847	Pop Rivet	
3	29651	Bolt	
4	804676	Hinge	Includes bracket
5	802299P	Pressure Switch	
6	M402542	Snap Bushing	
7	210018P	Transformer	
8	802523P	Control Assembly	
	801333	Jumper Assembly	Attaches to H7 on control; Model AFN50FSP111TW01 through Serial No. beginning 1307
	804212	Jumper Configuration Assembly	Attaches to H7 on control; Model AFN50FSP111TW01 starting Serial No. beginning 1307; Model CTSA0AWN
9	D501524	Screw	
10	801058	Rear Control Cabinet	
11	70240301	Screw	
12	56128	Bumper Pad	
13	44087201	Nut	
14	70030501	Expansion Clip	
15	800915W	Right Control Cabinet Side	
16	D501086	Screw	
17	801240	Cycle Switch	
18	802183	Graphic Overlay	Model CTSA0AWN
	802977	Graphic Overlay	Model AFN50FSP111TW01
19	800930	Screw	
20	D512117W	Timer Knob Assembly	Model CTSA0AWN
	803118P	Knob Assembly	Model AFN50FSP111TW01
21	801434W	Push-to-Start Switch	
22	38424W	Rocker Switch	Extra rinse
23	36701W	Knob Assembly	Model CTSA0AWN
	803119P	Control Knob Assembly	Model AFN50FSP111TW01
24	802045W	Control Panel Assembly	
25	687542	Temperature Switch	
26	801431	Light	
27	800900WP	Left Control Cabinet Side	
28	801777	Control Cabinet Bottom	
29	D503688	Screw	
30	36985	Hose Clip	
31	801371	Control Shield	
32	D503661	Screw	

Control Cabinet and Controls

Model AFN51FSP111TN01



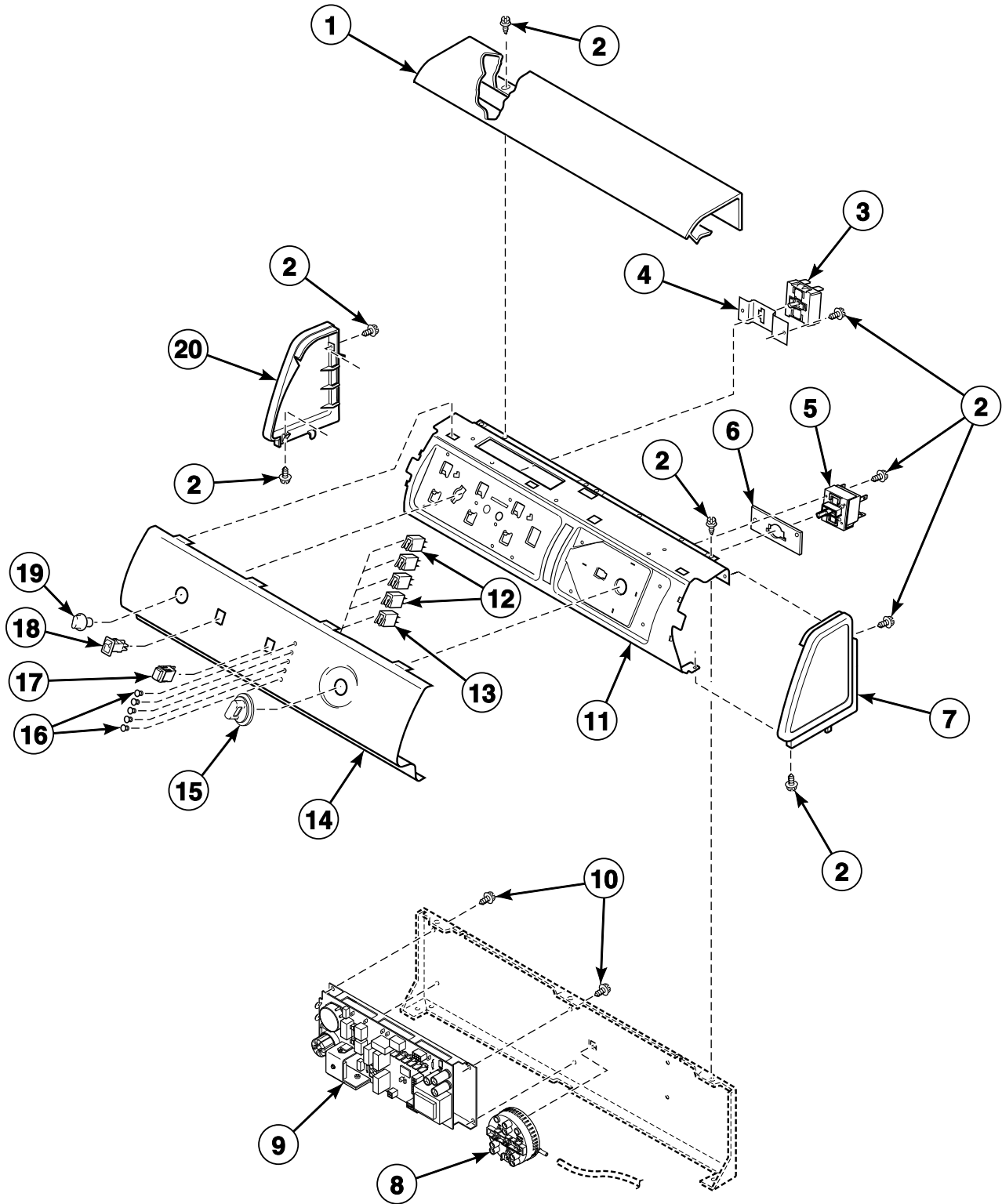
FLW1889P

Control Cabinet and Controls

REF	PART NO.	DESCRIPTION	COMMENTS
1	803144P	Top Kit	Includes items 2-6, 13 and 4 each 22649 Screw and 51236 Nut
2	36020	Nut	
3	685847	Pop Rivet	
4	29651	Bolt	
5	804676	Hinge	Includes bracket
6	802299P	Pressure Switch	
7	M402542	Snap Bushing	
8	802523P	Control Assembly	
9	D501524	Screw	
10	801058	Rear Control Cabinet	
11	70240301	Screw	
12	44087201	Nut	
13	70030501	Expansion Clip	
14	803141	Control Cabinet	Right
15	23008	Screw	
16	D501086	Screw	
17	801240	Cycle Switch	
18	F430956	Screw	
19	803098P	Timer Knob Assembly	
20	803294	Lens	
21	803099P	Control Knob Assembly	
22	803067	Panel	
23	803214	Control Panel Assembly	
24	687542	Temperature Switch	
25	803568	Selector Switch	
26	803569	Twist-to-Start Switch	
27	801431	Light	
28	803142	Control Cabinet	Left
29	801777	Control Cabinet Bottom	
30	M405188	Screw	Use with stainless steel side panels
	D503688	Screw	Use with painted side panels
31	56128	Bumper Pad	
32	36985	Hose Clip	
33	801371	Control Shield	
34	D503661	Screw	
35	210018P	Transformer	
36	803013	Badge	

Graphic Panel, Control Support Panel and Controls

Models AFB50RSP111TW01, AFN50RSP111TW01, ATSA0AWN and ATSA5AWN



FLW890P_802849

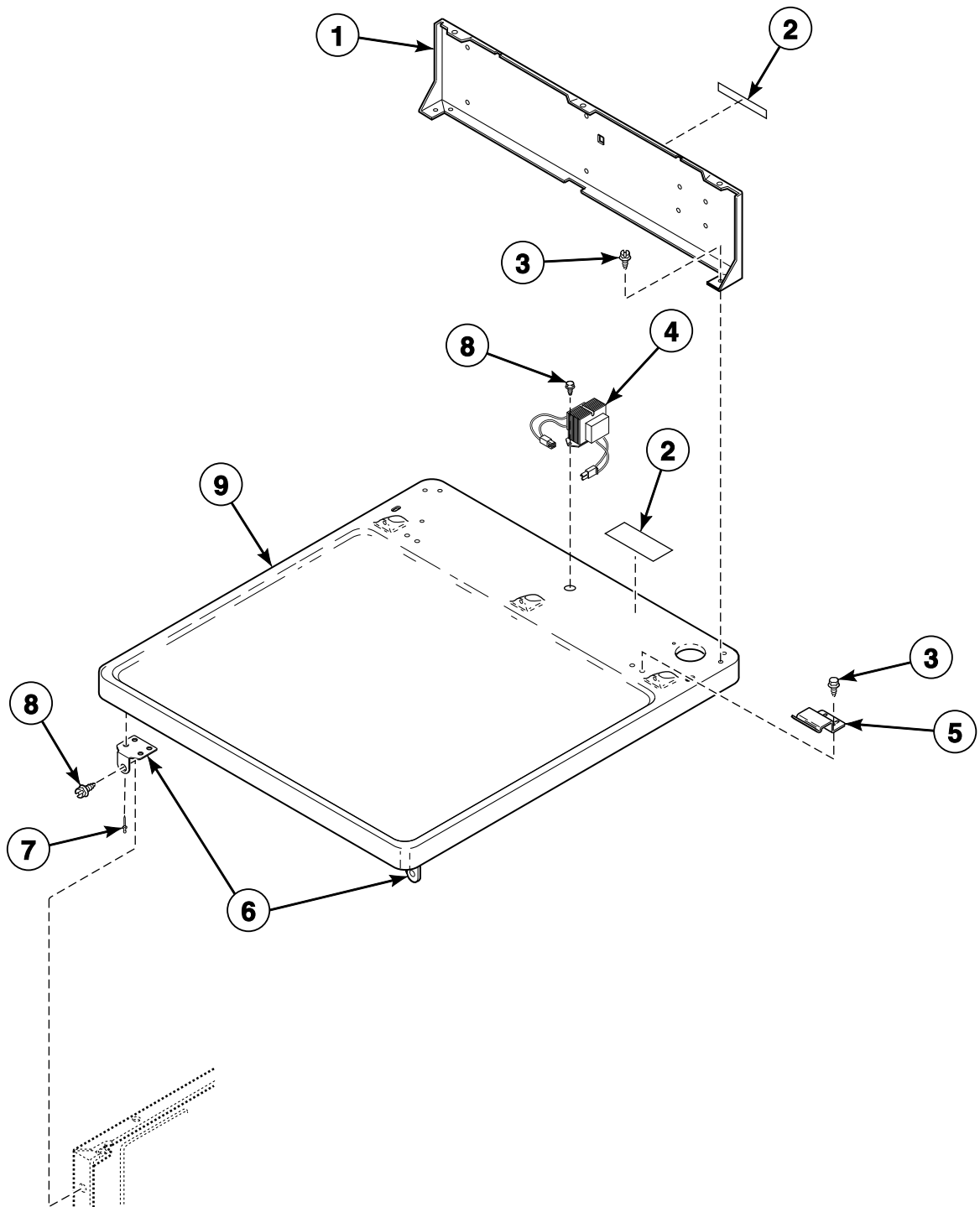
Graphic Panel, Control Support Panel and Controls

REF	PART NO.	DESCRIPTION	COMMENTS
1	D505808W	Top Cover	
2	D501086	Screw	
3	687542	Temperature Switch	Models AFN50RSP111TW01 and ATSA0AWN
	35117	Temperature Switch	Models AFB50RSP111TW01 and ATSA5AWN
4	800669	Temperature Switch Bracket	
5	801240	Cycle Switch	
6	801390	Cycle Switch Bracket	
7	D504008WP	End Panel	Right
8	802299P	Pressure Switch	
9	802523P	Control Assembly	
10	685837	Screw	
11	801388	Control Support Panel	
12	801356	Indicator Light	Green
13	801357	Indicator Light	Red; Models AFB50RSP111TW01 and ATSA5AWN
14	N/A	Graphic Panel	Model ATSA0AWN
	802178W	Graphic Panel	Model ATSA5AWN
	802978W	Graphic Panel	Model AFN50RSP111TW01
	802979W	Graphic Panel	Model AFB50RSP111TW01
15	D512117W	Timer Knob Assembly	Models ATSA0AWN and ATSA5AWN
	803168P	Knob Assembly	Models AFB50RSP111TW01 and AFN50RSP111TW01
16	801435	Indicator Light Lens	
17	801434W	Push-to-Start Switch	
18	38424W	Rocker Switch	Extra rinse
19	36701W	Knob Assembly	Models ATSA0AWN and ATSA5AWN
	803119P	Control Knob Assembly	Models AFB50RSP111TW01 and AFN50RSP111TW01
20	D504009WP	End Panel	Left

N/A = Part no longer available

Cabinet Top and Control Hood Rear Panel

Models AFB50RSP111TW01, AFN50RSP111TW01, ATSA0AWN and ATSA5AWN

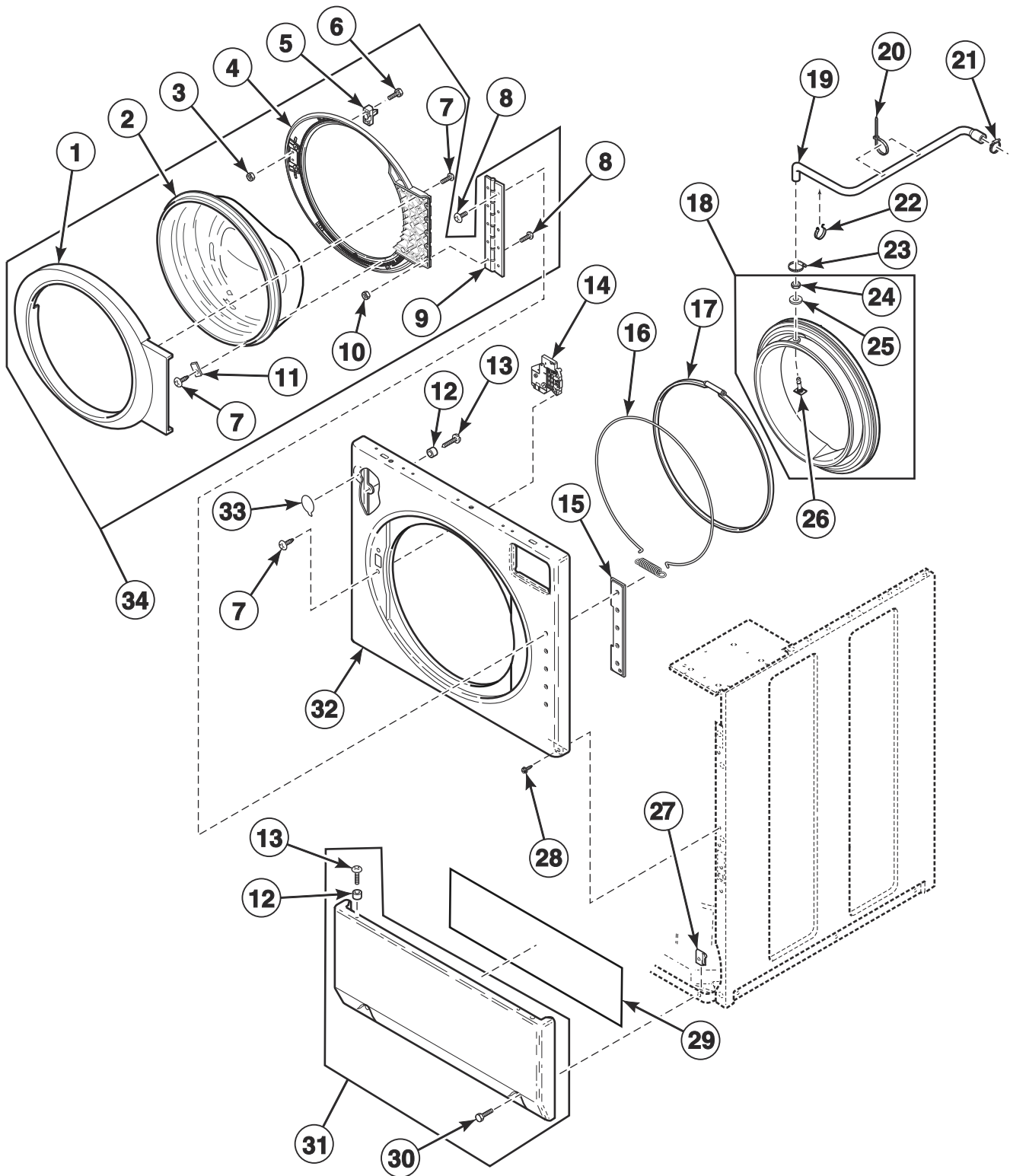


FLW985P_802849

Cabinet Top and Control Hood Rear Panel

REF	PART NO.	DESCRIPTION	COMMENTS
1	801060	Hood Back Panel	
2	D505281	Disconnect Power Warning Label	
3	D501086	Screw	
4	210018P	Transformer	
5	35358	Hold-Down Clip	
6	D510146	Bracket	
7	70058501	Pop Rivet	
8	D503661	Screw	
9	D510029WP	Top Panel Kit	

Front Panel, Door Assembly and Door Seal

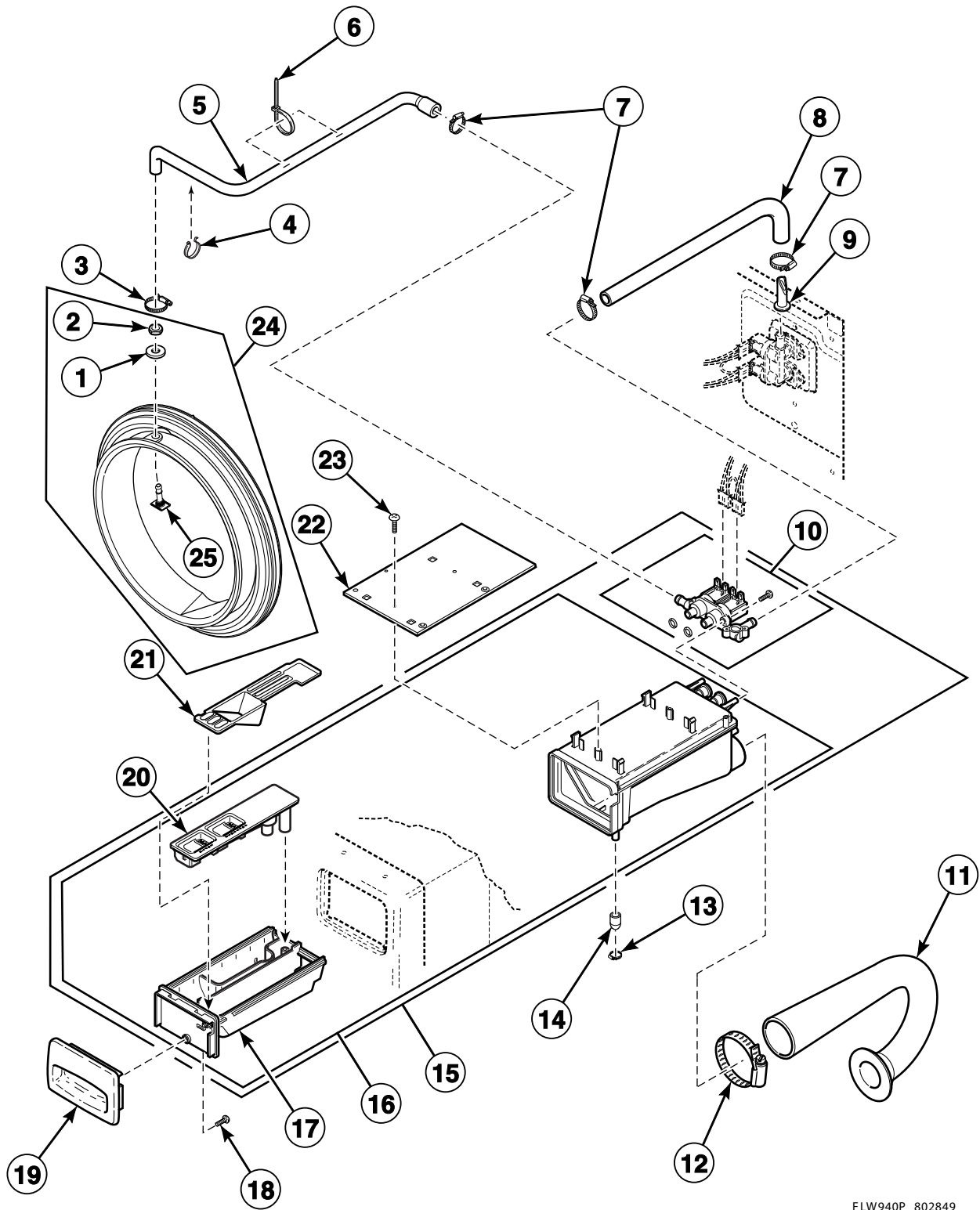


FLW954P

Front Panel, Door Assembly and Door Seal

REF	PART NO.	DESCRIPTION	COMMENTS
	807865	Hinge Attachment Kit	
1	803219	Outer Bezel Assembly	Model AFN51FSP111TN01
	802616WP	Outer Bezel Assembly	All other models
2	802695P	Door Glass	
3	685846	Nut	
4	808096	Inner Door Bezel Kit	Model AFN51FSP111TN01
	808095	Inner Door Bezel Kit	All other models
5	802803	Door Catch Assembly	
6	801993	Screw	
7	800548	Screw	
8	801019	Screw	
9	802934	Door Hinge	
10	23951	Nut	
11	802700	Glass Mounting Clip	
12	56079	Panel Locator	
13	D512921	Screw	Model AFN51FSP111TN01
	39733	Screw	All other models
14	802317P	Door Latch/Switch Assembly	
15	802206	Hinge Plate	
16	806466	Wire Ring and Spring	Includes spring
17	802281	Hose Clamp	Seal to outer tub front
18	802866P	Door Seal Assembly	Black; Includes items 24-26
	802830P	Door Seal Kit	Gray; Includes items 24-26
19	802256	Dispenser-to-Door Seal Hose	
20	55881	Harness Strap	
21	802164	Hose Clamp	
22	687500	Wire Clip	
23	802698	Hose Clamp	
24	802292	Nut	
25	802293	Washer	
26	802291	Boot Nozzle	
27	36020	Nut	
28	D503661	Screw	
29	204552	Front Panel Pad	
30	801045	Screw	
31	D514251	Access Panel Assembly	Model AFN51FSP111TN01
	D514250WP	Access Panel Assembly	All other models
32	802288P	Front Panel	Model AFN51FSP111TN01
	802277WP	Front Panel	All other models
33	201495	Sticker	Models ATSA0AWN, ATSA5AWN and CTSA0AWN
34	803218P	Door Assembly	Model AFN51FSP111TN01; Includes items 1-11
	802617WP	Door Assembly	All other models; Includes items 1-11

Dispenser Assembly

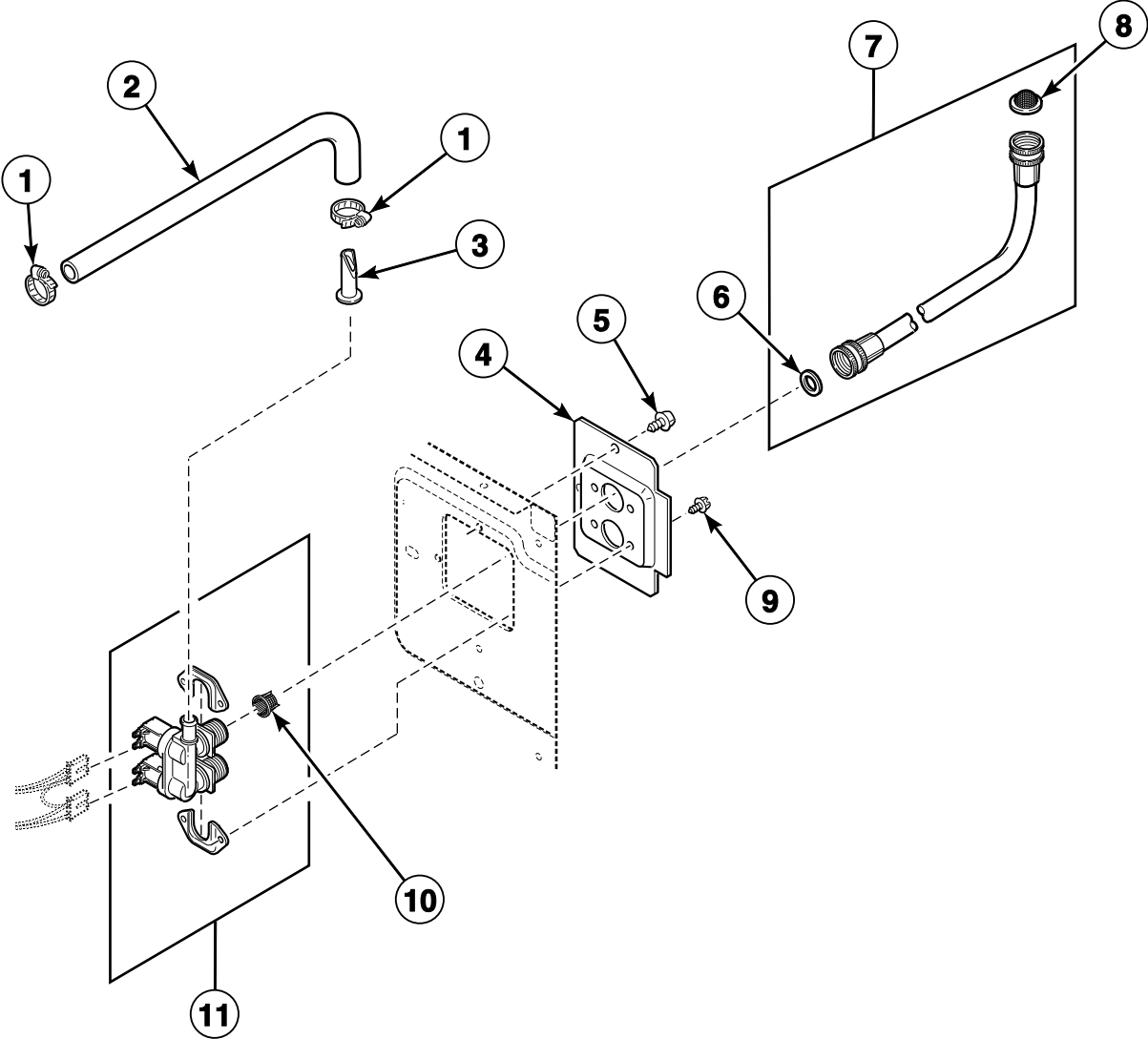


FLW940P_802849

Dispenser Assembly

REF	PART NO.	DESCRIPTION	COMMENTS
1	802293	Washer	
2	802292	Nut	
3	802698	Hose Clamp	
4	687500	Wire Clip	
5	802256	Dispenser-to-Door Seal Hose	
6	55881	Harness Strap	
7	802164	Hose Clamp	
8	801464	Valve-to-Dispenser Inlet Hose	
9	34500	Backflow Preventer	
10	685766P	Valve Kit	
11	800331	Dispenser-to-Tub Hose	
12	685725	Hose Clamp	
13	F200206	Hose Clamp	
14	801746	Cap	
15	685756P	Dispenser	Includes items 10, 16, 17 and 20
16	801476P	Dispenser Assembly	Includes items 17 and 20 and drawer
17	685757P	Dispenser Drawer	
18	800548	Screw	
19	803204P	Dispenser Handle	Model AFN51FSP111TN01
	685715WP	Dispenser Drawer Front	All other models
20	685716	Insert	
21	800899	Detergent Cover	
22	801024	Dispenser Plate	
23	801001	Screw	
24	802866P	Door Seal Assembly	Black; Includes items 1, 2 and 25
	802830P	Door Seal Kit	Gray; Includes items 1, 2 and 25
25	802291	Boot Nozzle	

Mixing Valve, Fill Hose and Valve-to-Dispenser Hose

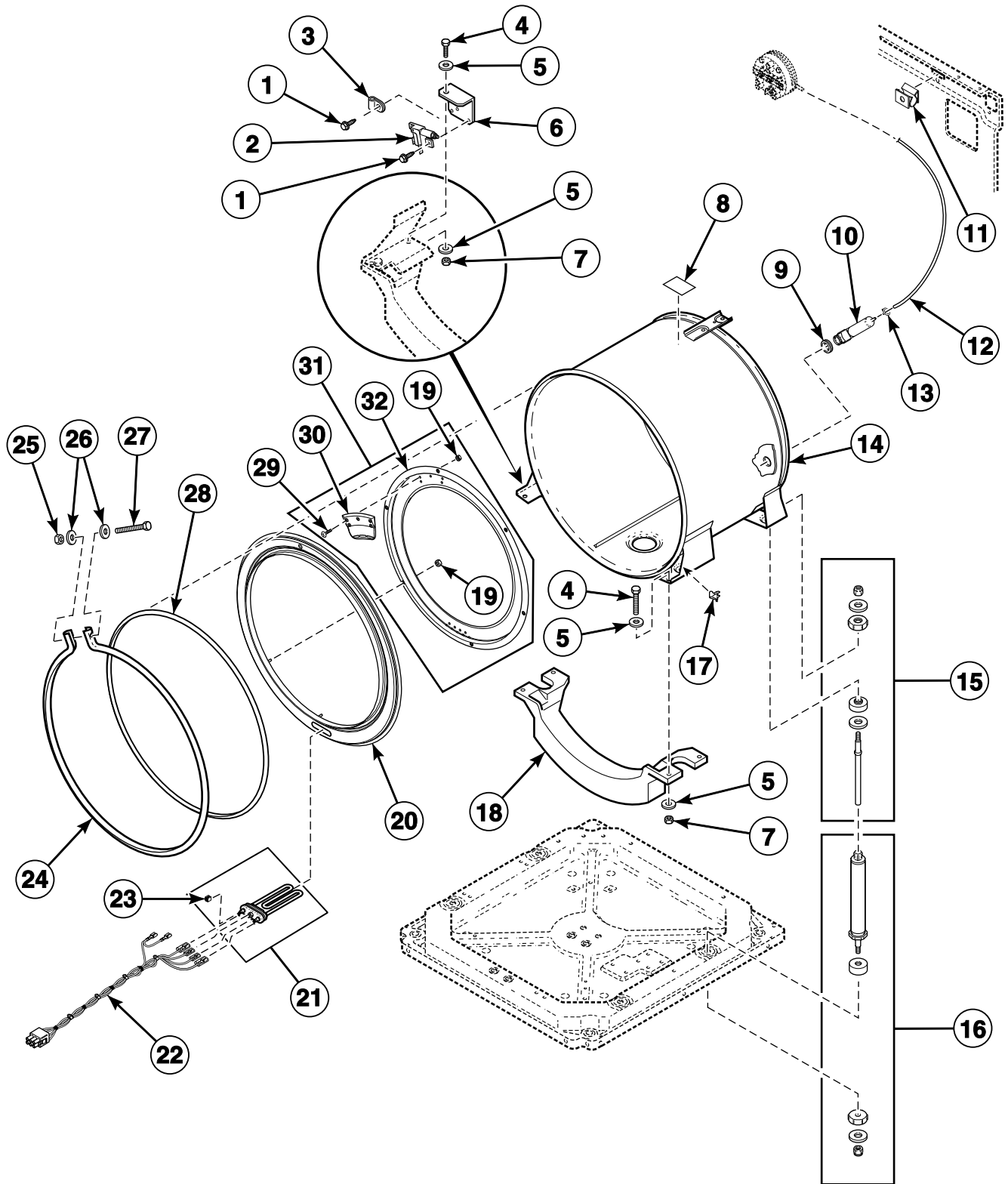


FLW881P_802849

Mixing Valve, Fill Hose and Valve-to-Dispenser Hose

REF	PART NO.	DESCRIPTION	COMMENTS
1	802164	Hose Clamp	
2	801464	Valve-to-Dispenser Inlet Hose	
3	34500	Backflow Preventer	
4	800323	Mixing Valve Plate	
5	D503661	Screw	
6	20290	Washer	
7	F200116	Water Hose	Includes items 6 and 8
8	803615	Washer	Filter screen
	802254	Washer	Flow restrictor; Water pressure reducer; Available for water pressure up to but not exceeding 120 psi
9	D501086	Screw	
10	802926	Mixing Valve Screen	
11	802220P	Mixing Valve	

Outer Tub, Front and Clamp Ring

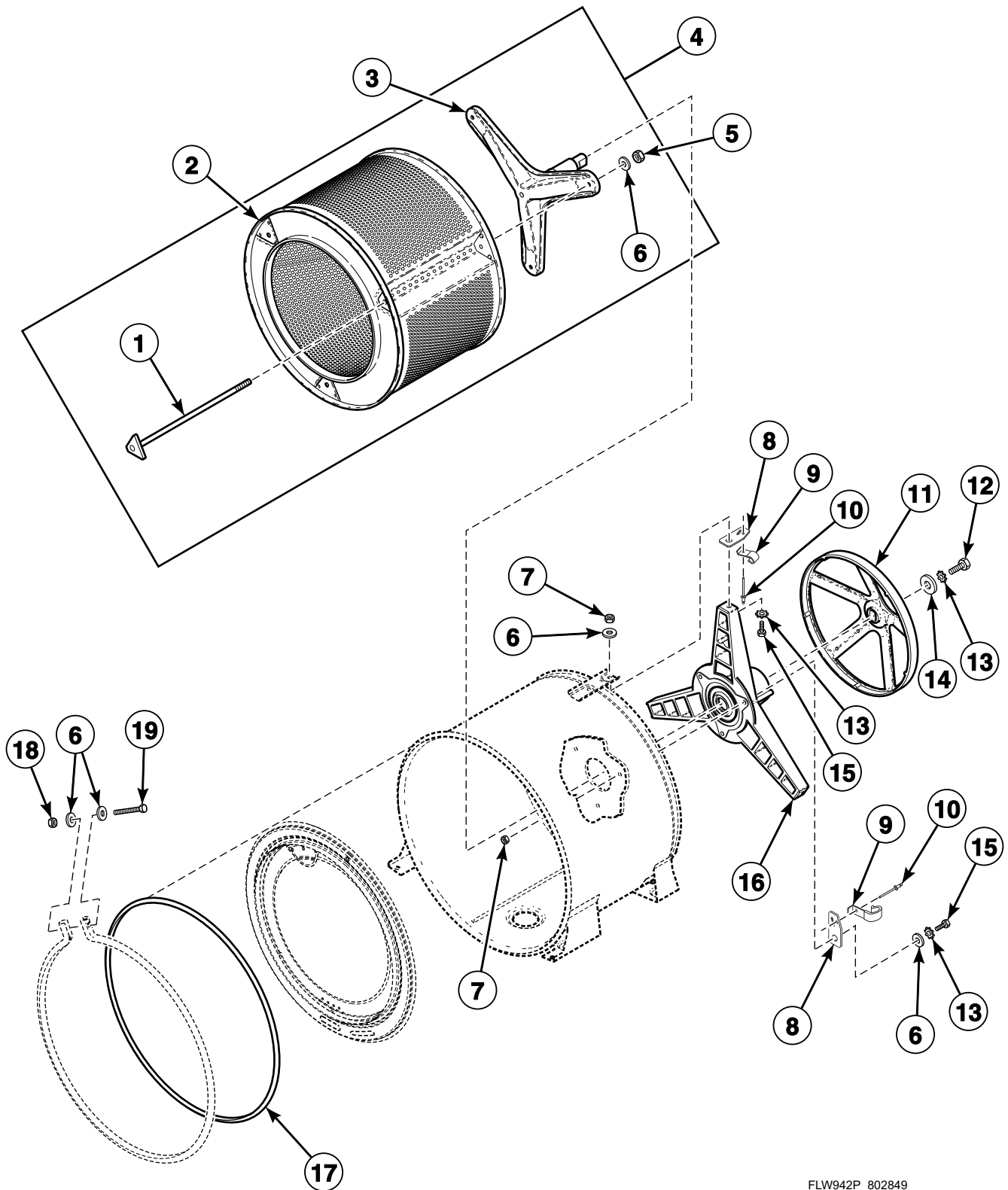


FLW1019P_802849

Outer Tub, Front and Clamp Ring

REF	PART NO.	DESCRIPTION	COMMENTS
1	D503661	Screw	
2	806512	Out-of-Balance Switch Assembly Kit	Models through Serial No. 1201004551
	803415	Out-of-Balance Switch Assembly	Models starting Serial No. 1201004552
3	800811	Wire Clamp	
4	800461	Screw	
5	M400081	Washer	
6	800663	Switch Mounting Bracket	Models through Serial No. 1201004551
	803388	Switch Mounting Bracket	Models starting Serial No. 1201004552
7	800452	Nut	
8	D500049	Warning Label	
9	29175	Grommet	
10	205241	Pressure Bulb Assembly	
11	36985	Hose Clip	
12	29214	Tubing	Models AFB50RSP111TW01, AFN50RSP111TW01, ATSA0AWN and ATSA5AWN
	800648P	Tubing	Models AFN50FSP111TW01, AFN51FSP111TN01 and CTSA0AWN
13	39282	Hose Clamp	
14	801291	Outer Tub Assembly	Models AFB50RSP111TW01 and ATSA5AWN
	801081P	Outer Tub Assembly	Models AFN50FSP111TW01, AFN50RSP111TW01, AFN51FSP111TN01, ATSA0AWN and CTSA0AWN
15	800622P	Tub Shock Absorber Kit	Upper
16	807875	Base Shock Absorber Kit	Lower; Must replace all four
17	00161	Grounding Clip	
18	800205	Ballast Weight	
19	802343	Nut	
20	802258	Tub Front Assembly	Models AFN50FSP111TW01, AFN50RSP111TW01, AFN51FSP111TN01, ATSA0AWN and CTSA0AWN
	802259	Tub Front Assembly	Model ATSA5AWN; Model AFB50RSP111TW01
21	801306P	Heating Element Kit	Models AFB50RSP111TW01 and ATSA5AWN; Includes item 23
22	802322P	Heater Harness Assembly	Model ATSA5AWN; Model AFB50RSP111TW01 through Serial No. 1004018614
	803491	Heater Harness Assembly	Model AFB50RSP111TW01 starting Serial No. 1004018615
23	803256	Thermistor	Models AFB50RSP111TW01 and ATSA5AWN
24	800312	Clamp Ring	
25	F430218	Nut	
26	800457	Washer	
27	800462	Screw	
28	800432P	Tub Front Seal	
29	802596	Screw	
30	804174P	Clothes Guard Deflector	
	804482	Clothes Guard Deflector	Heavy duty
31	804560P	Clothes Guard and Deflector Kit	Includes items 7, 19, 26-30 and 32
32	803537	Clothes Guard	

Inner Basket, Trunnion, Bearing Housing and Pulley

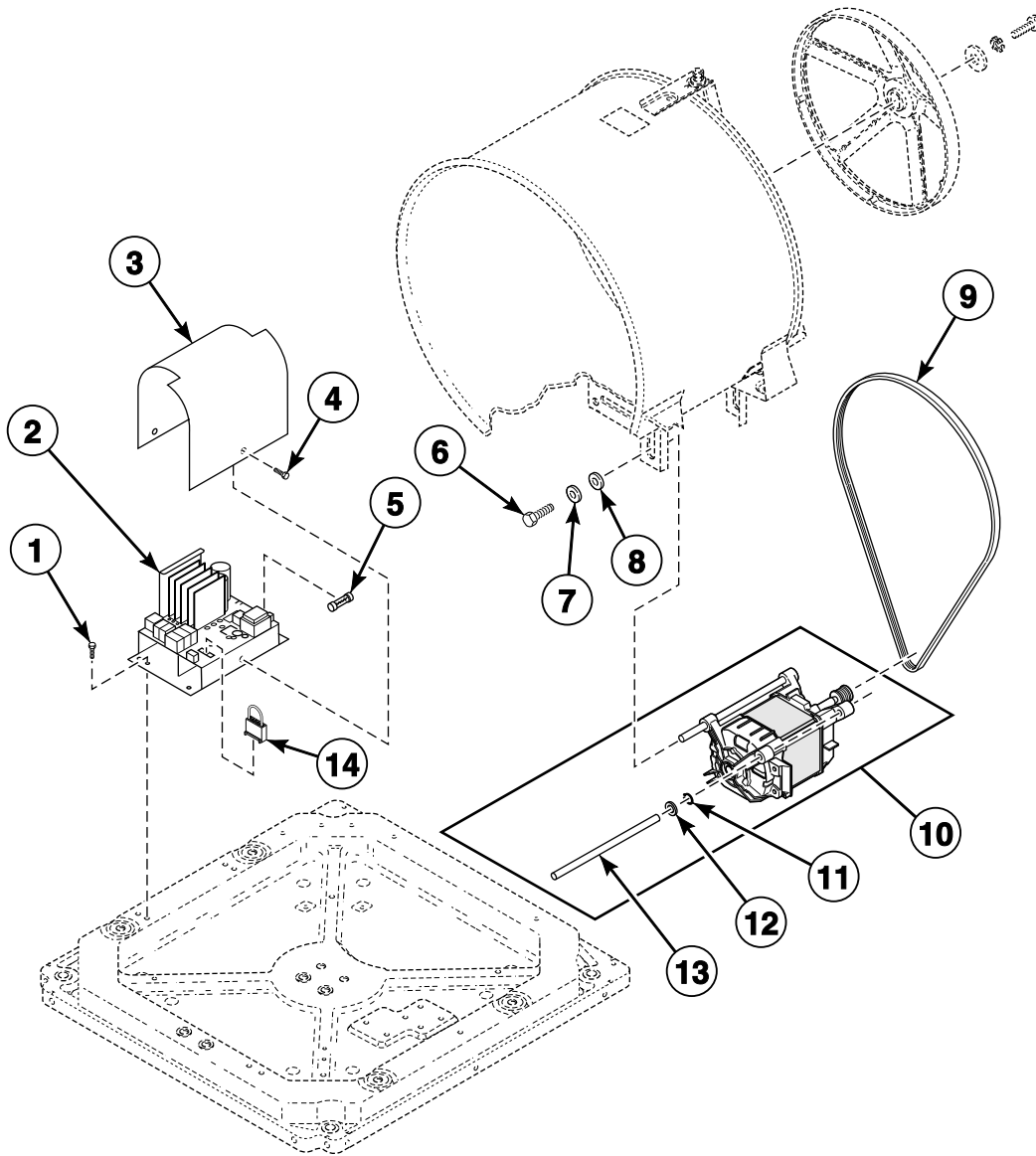


FLW942P_802849

Inner Basket, Trunnion, Bearing Housing and Pulley

REF	PART NO.	DESCRIPTION	COMMENTS
	27604P	Anti-Seize Compound	Pulley to inner basket shaft
	838P3	Hardware Kit	Includes (8) of item 6, (6) of item 7, (7) of item 13, (6) of item 15, (1) each of items 12, 14, 17, 18, 19 and 27604P Anti-Seize Compound
	RB160001	Bearing Kit	
1	800666	Tension Rod Assembly	
2	803008P	Inner Basket Assembly	
3	800749P	Trunnion Shaft and Hardware Kit	Includes (3) each of items 1, 5, 6, and 838P3 Hardware Kit; If ordering trunnion shaft separately, inner basket and trunnion shaft must be properly aligned to prevent door seal damage. Refer to appropriate service manual.
4	802365P	Inner Basket Assembly	
5	685844	Nut	
6	800457	Washer	
7	800452	Nut	
8	800552	Hose Mounting Plate	
9	800553	Hose Clip	
10	685847	Pop Rivet	
11	800866	Driven Pulley	
12	685831	Screw	Left hand thread
13	M403958	Washer	
14	807679	Washer	
15	M400043	Screw	
16	800428P	Bearing Housing Kit	Includes 838P3 Hardware Kit
17	800432P	Tub Front Seal	
18	F430218	Nut	
19	800462	Screw	

Motor and Belt

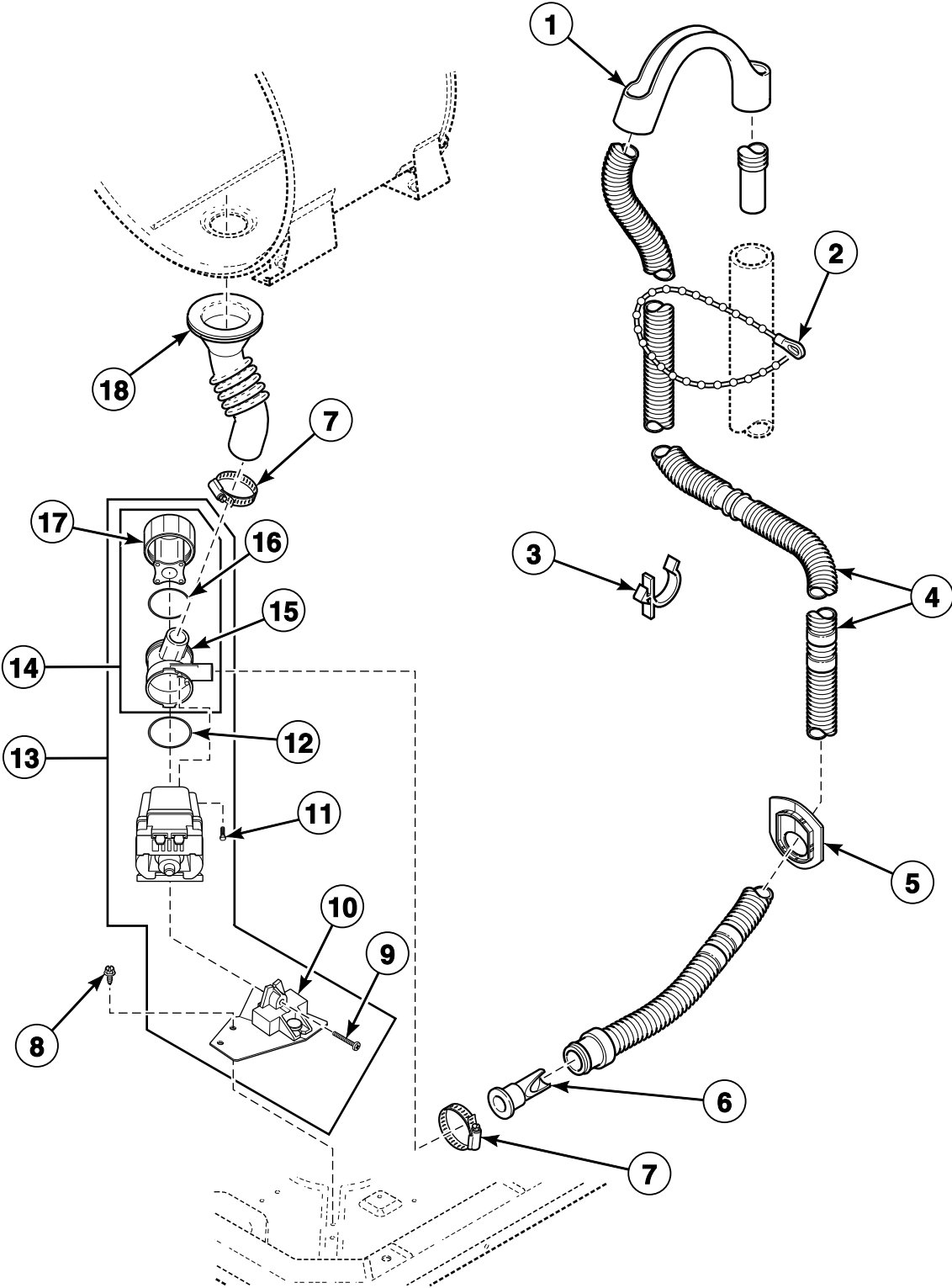


FLW1022P_802849

Motor and Belt

REF	PART NO.	DESCRIPTION	COMMENTS
1	D503661	Screw	
2	803254P	Inverter Control Assembly	
3	801061	Control Shield	
4	D501524	Screw	
5	801755	Fuse	10 Amp; Slow blow
6	M400057	Screw	
7	02834	Washer	
8	M400080	Washer	
9	800319P	Drive Belt	
10	801684P	Motor and Rod Assembly Kit	Includes 2 each of items 11-13 and wire ties
11	23748	Retaining Ring	
12	52549	Washer	
13	801062	Motor Mount Rod	
14	D513268	Jumper Harness	Use to limit spin RPM on inverter controls starting Serial No. 0911014603

Drain Hose and Pump

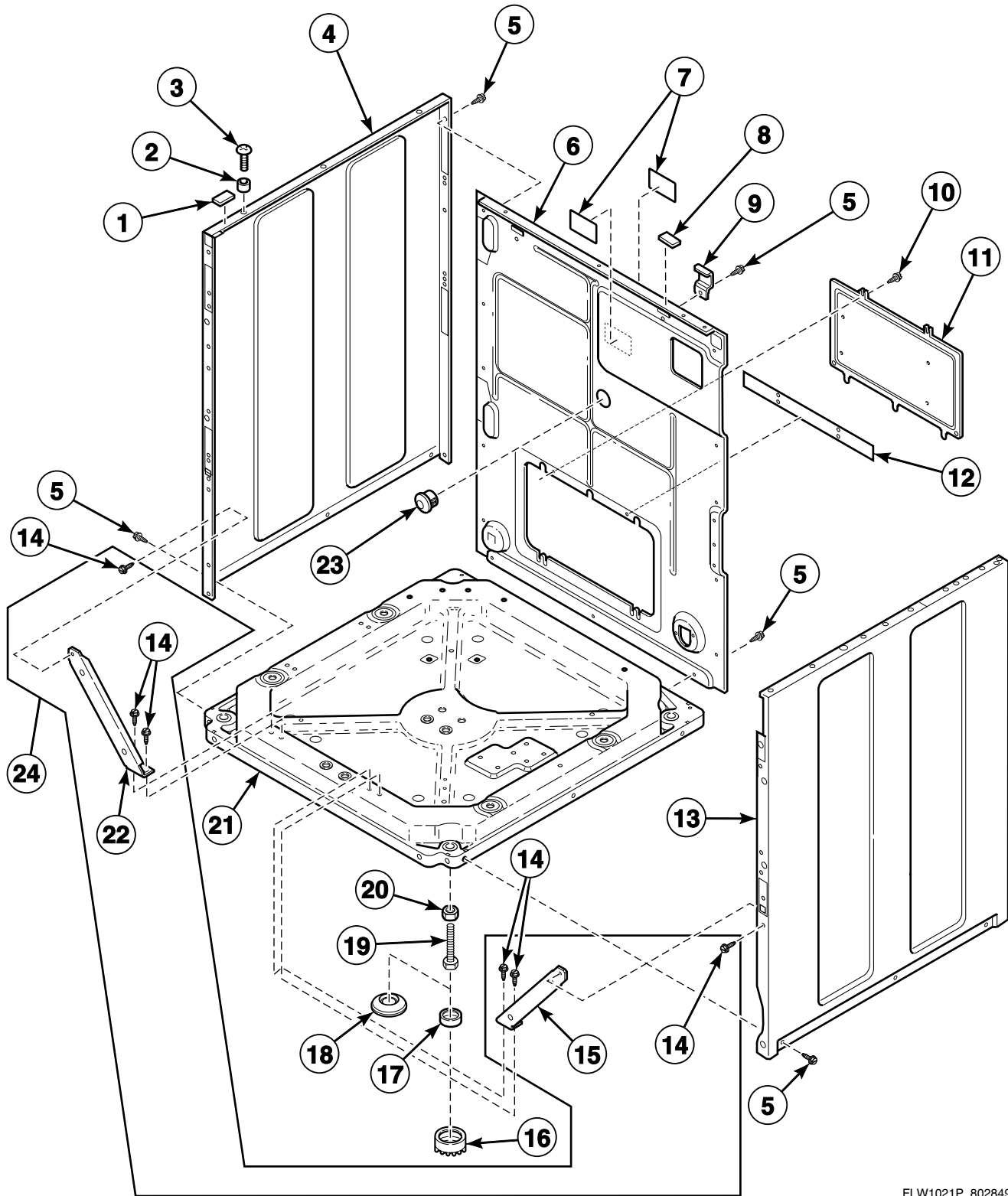


FLW951P_802849

Drain Hose and Pump

REF	PART NO.	DESCRIPTION	COMMENTS
1	33615	Drain Hose Sleeve	
2	33489	Standpipe Strap	
3	36014	Retainer Clip	
4	685730	Drain Hose	
5	32219	Strain Relief	
6	800310	Backflow Preventer	
7	F200204	Hose Clamp	
8	D503661	Screw	
9	802430	Screw	
10	802626	Pump Mount Bracket	
11	802431	Screw	
12	802429P	O-Ring	
13	802623P	Drain Pump	
14	802434P	Pump Housing Assembly	Includes items 15-17
15	802428	Pump Housing	
16	802427	Gasket	
17	802426P	Lid Assembly	Includes filter
18	800317	Tub-to-Pump Hose	
	27615P	Sealant	Tub-to-pump hose to outer tub
	985P3	Drain Kit	Includes 803344 Tub-to-Pump Hose with Trap, 90554 Hose Clamp, 803400 Cap and 27615P Sealant

Base, Side Panels and Rear Panel

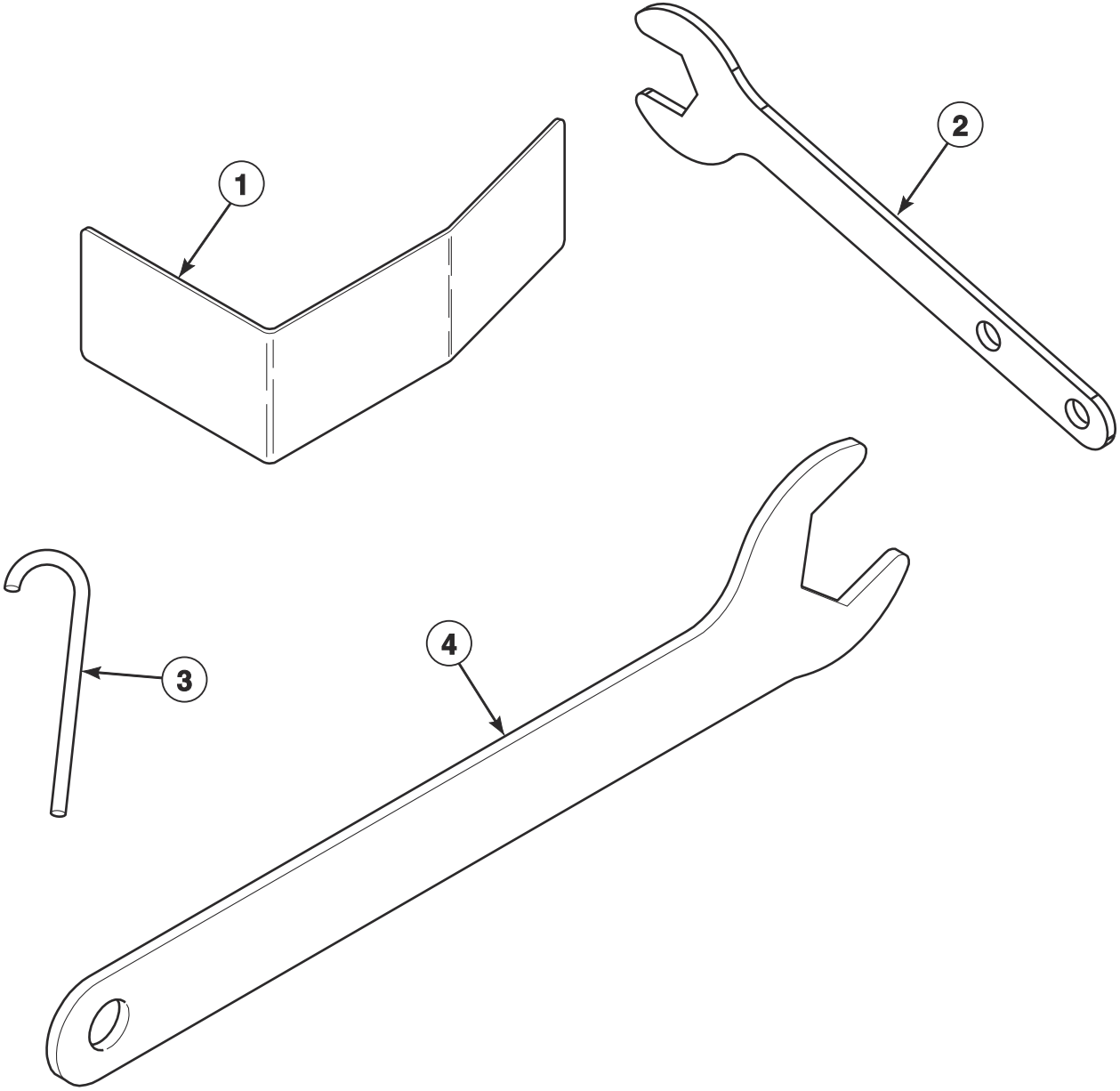


FLW1021P_802849

Base, Side Panels and Rear Panel

REF	PART NO.	DESCRIPTION	COMMENTS
	122P4P	Porcelain Touch-Up Paint	
1	36226	Bumper Pad	
2	56079	Panel Locator	
3	D512921	Screw	Use with stainless steel panels
	39733	Screw	Use with painted panels
4	800004G	Side Panel	Left; Gray; Model AFN51FSP111TN01
	800004WP	Cabinet Panel Kit	Left; White; All other models; Includes corner gusset with hardware
5	D503661	Screw	
6	800010P	Rear Panel	
7	685928	Left Hand Thread Label	
8	36226	Bumper Pad	Models AFB50RSP111TW01, AFN50RSP111TW01, ATSA0AWN and ATSA5AWN
9	D510136	Top Hinge	Models AFB50RSP111TW01, AFN50RSP111TW01, ATSA0AWN and ATSA5AWN
10	430497	Screw	
11	800011	Rear Access Panel	
12	801702	Motor Access Hole Edging	
13	800005G	Side Panel	Right; Gray; Model AFN51FSP111TN01
	806492	Side Panel Kit	Right; White; All other models; Includes 801024 Dispenser Plate with hardware
14	31645	Screw	
15	801492	Cabinet Brace	Right
16	D501855	Rubber Foot	Use to prevent movement on smooth surface floor coverings; Install over two existing front rubber feet (item 17)
17	34318	Rubber Foot	
18	155P3	Anchor	Includes 4 rubber discs with adhesive backing
	802844P	Anchor Floor Mount Assembly	Includes 2 rubber discs with adhesive backing
19	34319	Leveling Leg	
20	21899	Nut	
21	803876	Base Assembly	
22	801491	Cabinet Brace	Left
23	M412154	Hole Plug	
24	918P3	Brace Kit	Includes items 5, 13 and 20

Special Tools

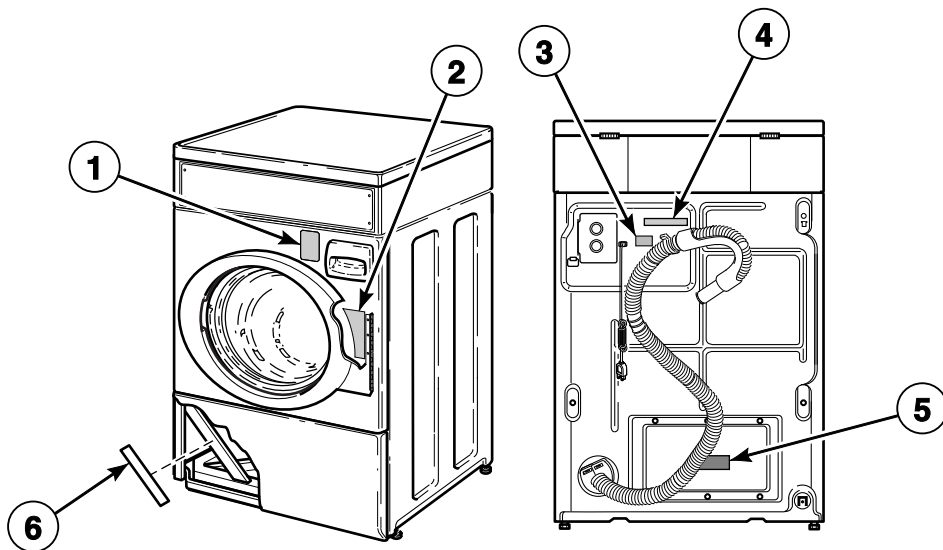


FLW1876P

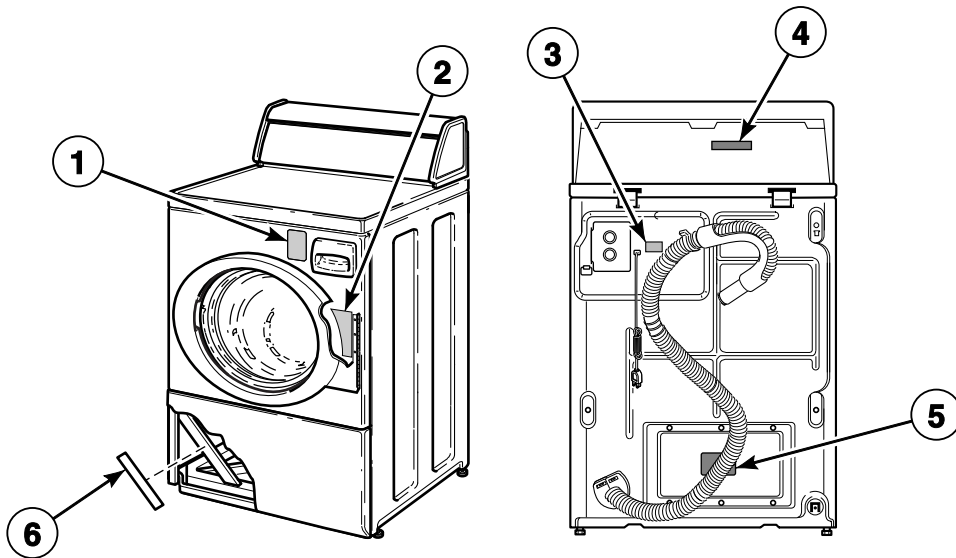
Special Tools

REF	PART NO.	DESCRIPTION	COMMENTS
1	318P4	Dispenser Drawer Tool	Use to remove dispenser drawer
2	205655	Foot Locknut Wrench	
3	802336	Pulley Bolt Tightening Fixture	Use to install inner basket
4	392P4	Shock Adjusting Wrench	Use for adjusting leveling leg nuts

Labels



Front Control Washers



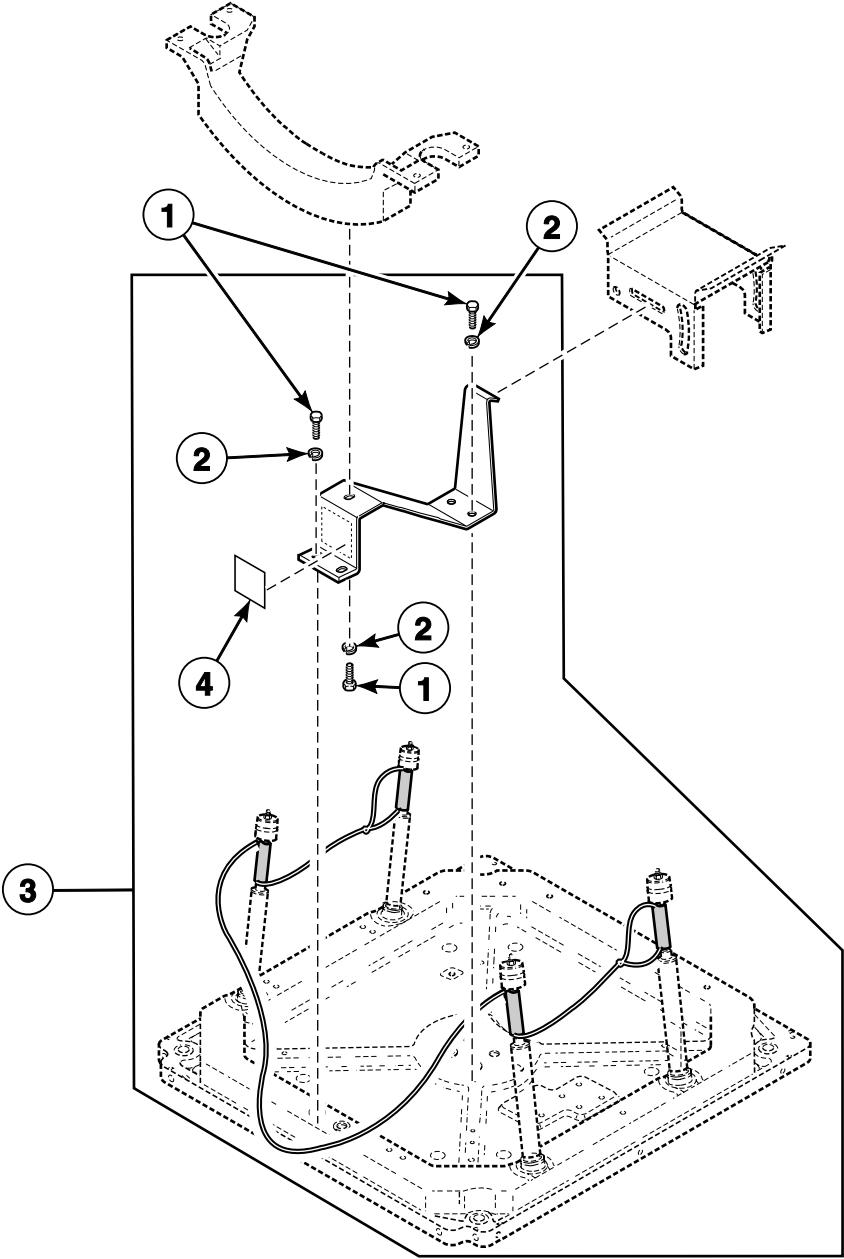
Rear Control Washers

FLW1037P_802849

Labels

REF	PART NO.	DESCRIPTION	COMMENTS
1	802074	Oversudsing Label	English
	802838	Oversudsing Label	Spanish
2	802367	Warning Label	
3	803260	Warning Label	
4	D505281	Disconnect Power Warning Label	
5	D500049	Warning Label	
6	803522	Warning Label	

Shipping Materials

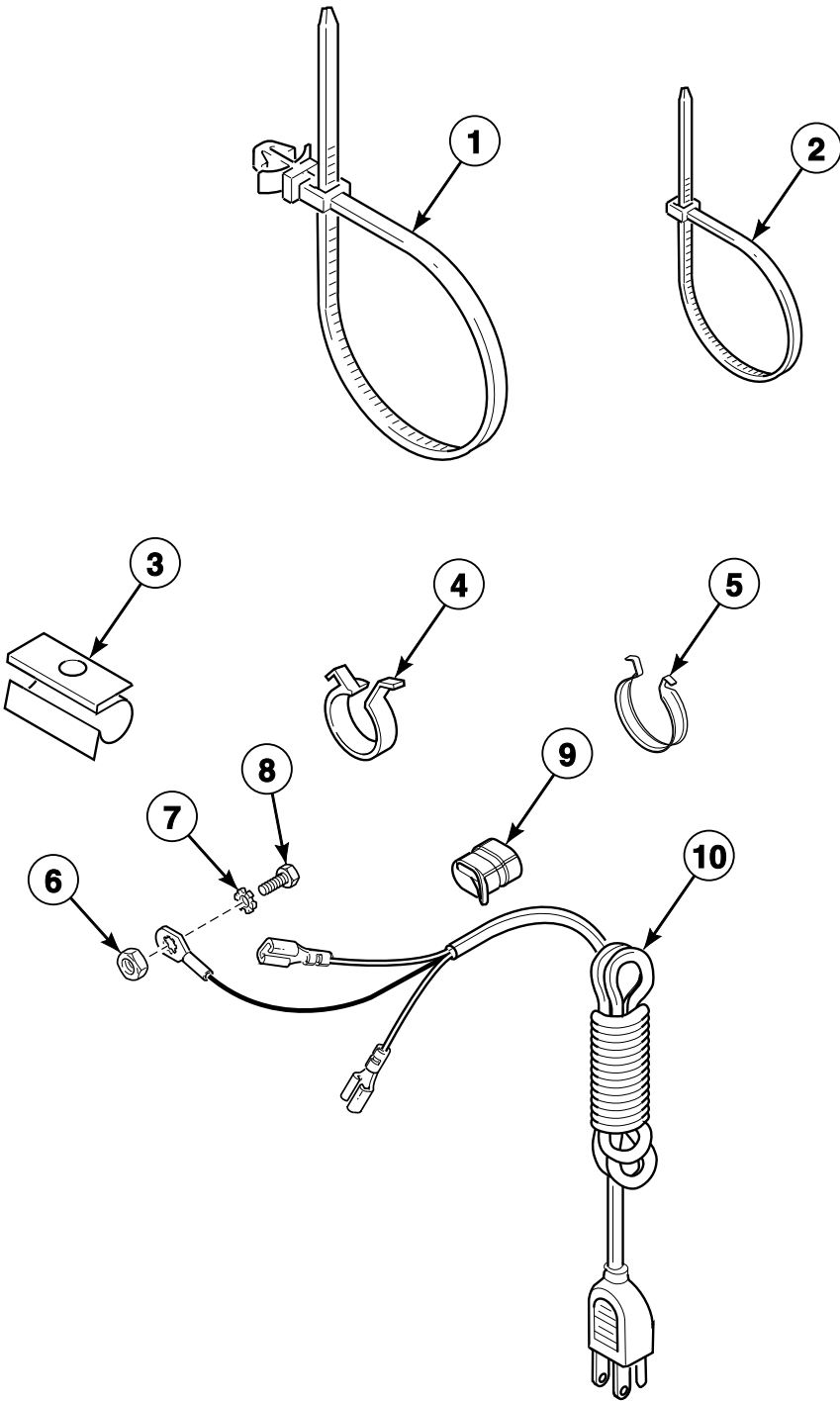


FLW1030P_802849

Shipping Materials

REF	PART NO.	DESCRIPTION	COMMENTS
1	M400043	Screw	
2	M400014	Washer	
3	930P3	Shipping Materials Kit	Includes items 1, 2, 4, shipping bracket, and shipping cord and brace assembly
4	807552	Shipping Bracket Label	

Wire Ties, Harness Clips and Lead-In Cord

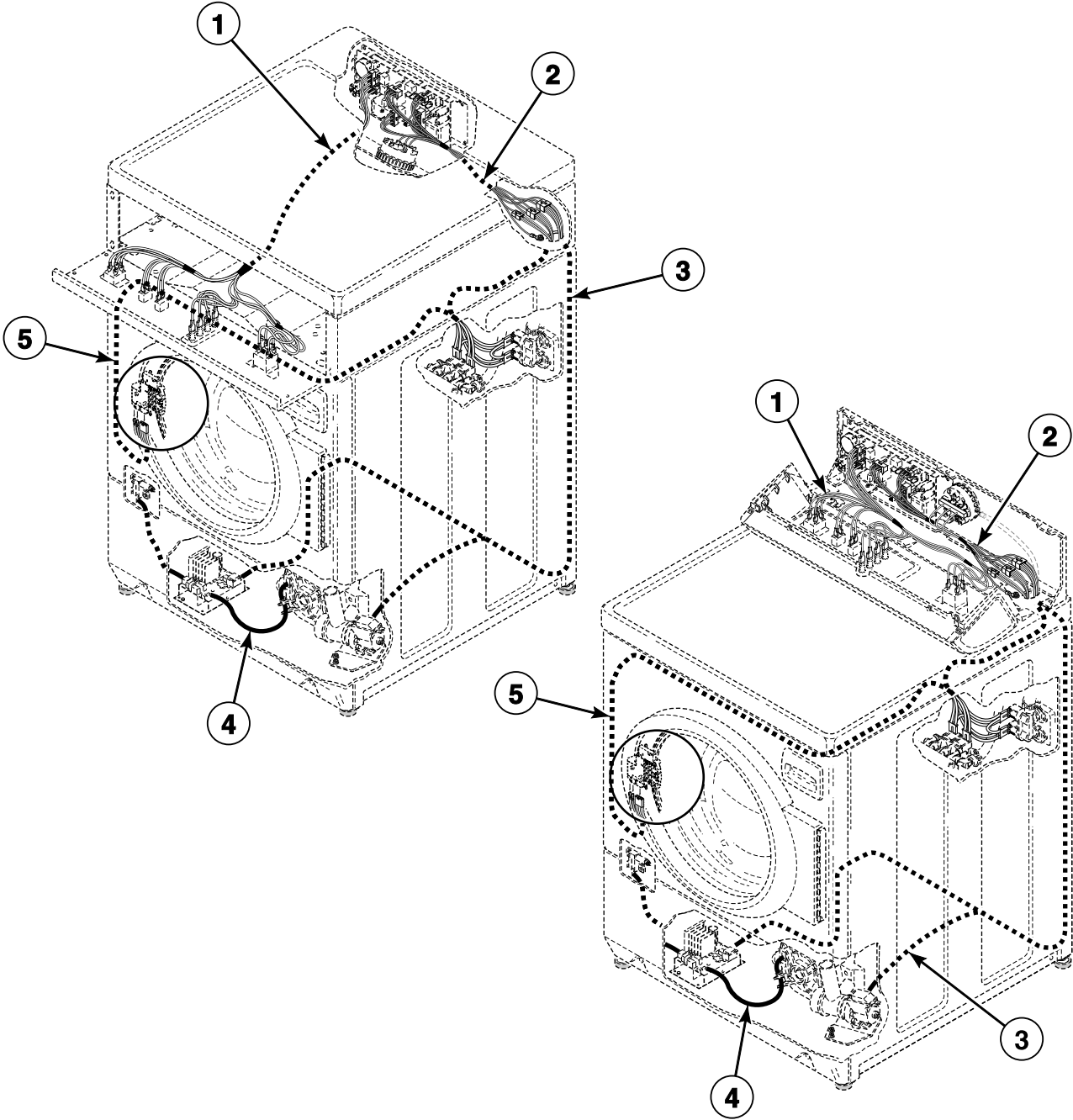


FLW823P_802849

Wire Ties, Harness Clips and Lead-In Cord

REF	PART NO.	DESCRIPTION	COMMENTS
1	38663	Wire Tie	
2	55881	Harness Strap	
3	36985	Hose Clip	
4	D504034	Wire Clip	Small
5	687500	Wire Clip	Large
6	03673	Nut	
7	03815	Washer	
8	20530	Screw	
9	38384	Strain Relief	
10	34458	Lead-In Cord	

Wire Harnesses and Wires



FLW1678P_802849

Wire Harnesses and Wires

REF	PART NO.	DESCRIPTION	COMMENTS
	45001	18 Gauge Wire	Black; Order wire by foot and terminals as required
	45380	12 Gauge Wire	Orange; Order wire by foot and terminals as required
1	801347P	Hood Harness Assembly	Models AFN50RSP111TW01 and ATSA0AWN
	802052	Control Harness Assembly	Models AFN50FSP111TW01 and CTSA0AWN
	801325P	Harness Assembly	Control panel; Models AFB50RSP111TW01 and ATSA5AWN
	803242P	Control Harness Assembly	Model AFN51FSP111TN01
2	801324P	Control Harness Assembly	Models AFN50FSP111TW01, AFN50RSP111TW01, AFN51FSP111TN01, ATSA0AWN and CTSA0AWN
	801348P	Control Harness Assembly	Models AFB50RSP111TW01 and ATSA5AWN
3	802274P	Motor Harness Assembly	Models through Serial No. 1201004551
	803581	Motor Harness Assembly	Models starting Serial No. 1201004552
4	802894P	Wire Harness Assembly	
5	802351P	Base Harness Assembly	Models ATSA0AWN and CTSA0AWN through Serial No. 0709009264
	802831P	Base Harness Assembly	Models AFN50FSP111TW01, AFN50RSP111TW01 and AFN51FSP111TN01; Models ATSA0AWN and CTSA0AWN starting Serial No. 0709009265
	802348P	Base Harness Assembly	Model ATSA5AWN through Serial No. 0703024952
	802832	Base Harness Assembly	Model AFB50RSP111TW01 through Serial No. 1004018614; Model ATSA5AWN starting Serial No. 0703024953
	803490	Base Harness Assembly	Model AFB50RSP111TW01 starting Serial No. 1004018615

NOTE: Individual wires are not available separately. Order complete harness, or order wire by the foot. When applying terminals to wires, it is recommended that the terminals be soldered to the wires.

Parts Index

A

Access Panel Assembly	
D514250WP	13
D514251	13
Anchor	
155P3	27
Anchor Floor Mount Assembly	
802844P	27
Anti-Seize Compound	
27604P	21

B

Backflow Preventer	
34500	15, 17
800310	25
Badge	
803013	7
Ballast Weight	
800205	19
Base Assembly	
803876	27
Base Harness Assembly	
802348P	37
802351P	37
802831P	37
802832	37
803490	37
Base Shock Absorber Kit	
807875	19
Bearing Housing Kit	
800428P	21
Bearing Kit	
RB160001	21
Bolt	
29651	5, 7
Boot Nozzle	
802291	13, 15
Brace Kit	
918P3	27
Bracket	
D510146	11
Bumper Pad	
36226	27
56128	5, 7

C

Cabinet Brace	
801491	27
801492	27
Cabinet Panel Kit	
800004WP	27
Cap	
801746	15
Clamp Ring	
800312	19

Clothes Guard	
803537	19
Clothes Guard and Deflector Kit	
804560P	19
Clothes Guard Deflector	
804174P	19
804482	19
Control Assembly	
802523P	5, 7, 9
Control Cabinet	
803141	7
803142	7
Control Cabinet Bottom	
801777	5, 7
Control Harness Assembly	
801324P	37
801348P	37
802052	37
803242P	37
Control Knob Assembly	
803099P	7
803119P	5, 9
Control Panel Assembly	
802045W	5
803214	7
Control Shield	
801061	23
801371	5, 7
Control Support Panel	
801388	9
Cycle Switch	
801240	5, 7, 9
Cycle Switch Bracket	
801390	9

D

Detergent Cover	
800899	15
Disconnect Power Warning Label	
D505281	11, 31
Dispenser	
685756P	15
Dispenser Assembly	
801476P	15
Dispenser Drawer	
685757P	15
Dispenser Drawer Front	
685715WP	15
Dispenser Drawer Tool	
318P4	29
Dispenser Handle	
803204P	15
Dispenser Plate	
801024	15
Dispenser-to-Door Seal Hose	
802256	13, 15
Dispenser-to-Tub Hose	
800331	15

N/A items do not appear in index.

Door Assembly	
802617WP	13
803218P	13
Door Catch Assembly	
802803	13
Door Glass	
802695P	13
Door Hinge	
802934	13
Door Latch/Switch Assembly	
802317P	13
Door Seal Assembly	
802866P	13, 15
Door Seal Kit	
802830P	13, 15
Drain Hose	
685730	25
Drain Hose Sleeve	
33615	25
Drain Kit	
985P3	25
Drain Pump	
802623P	25
Drive Belt	
800319P	23
Driven Pulley	
800866	21

E

End Panel	
D504008WP	9
D504009WP	9
Expansion Clip	
70030501	5, 7

F

Foot Locknut Wrench	
205655	29
Front Panel	
802277WP	13
802288P	13
Front Panel Pad	
204552	13
Fuse	
801755	23

G

Gasket	
802427	25
Glass Mounting Clip	
802700	13
Graphic Overlay	
802183	5
802977	5
Graphic Panel	
802178W	9
802978W	9

802979W	9
Grommet	
29175	19
Grounding Clip	
00161	19

H

Hardware Kit	
838P3	21
Harness Assembly	
801325P	37
Harness Strap	
55881	13, 15, 35
Heater Harness Assembly	
802322P	19
803491	19
Heating Element Kit	
801306P	19
Hinge	
804676	5, 7
Hinge Attachment Kit	
807865	13
Hinge Plate	
802206	13
Hold-Down Clip	
35358	11
Hole Plug	
M412154	27
Hood Back Panel	
801060	11
Hood Harness Assembly	
801347P	37
Hose Clamp	
F200204	25
F200206	15
39282	19
685725	15
802164	13, 15, 17
802281	13
802698	13, 15
Hose Clip	
36985	5, 7, 19, 35
800553	21
Hose Mounting Plate	
800552	21

I

Indicator Light	
801356	9
801357	9
Indicator Light Lens	
801435	9
Inner Basket Assembly	
802365P	21
803008P	21
Inner Door Bezel Kit	
808095	13
808096	13
Insert	
685716	15

N/A items do not appear in index.

Inverter Control Assembly 803254P	23
--	----

J

Jumper Assembly 801333	5
Jumper Configuration Assembly 804212	5
Jumper Harness D513268	23

K

Knob Assembly 36701W	5, 9
803118P	5
803168P	9

L

Lead-In Cord 34458	35
Left Control Cabinet Side 800900WP	5
Left Hand Thread Label 685928	27
Lens 803294	7
Leveling Leg 34319	27
Lid Assembly 802426P	25
Light 801431	5, 7

M

Mixing Valve 802220P	17
Mixing Valve Plate 800323	17
Mixing Valve Screen 802926	17
Motor Access Hole Edging 801702	27
Motor and Rod Assembly Kit 801684P	23
Motor Harness Assembly 802274P	37
803581	37
Motor Mount Rod 801062	23

N

Nut F430218	19, 21
----------------------	--------

03673	35
21899	27
23951	13
36020	7, 13
44087201	5, 7
685844	21
685846	13
800452	19, 21
802292	13, 15
802343	19

O

O-Ring 802429P	25
Outer Bezel Assembly 802616WP	13
803219	13
Outer Tub Assembly 801081P	19
801291	19
Out-of-Balance Switch Assembly 803415	19
Out-of-Balance Switch Assembly Kit 806512	19
Oversudsing Label 802074	31
802838	31

P

Panel 803067	7
Panel Locator 56079	13, 27
Pop Rivet 685847	5, 7, 21
70058501	11
Porcelain Touch-Up Paint 122P4P	27
Pressure Bulb Assembly 205241	19
Pressure Switch 802299P	5, 7, 9
Pulley Bolt Tightening Fixture 802336	29
Pump Housing 802428	25
Pump Housing Assembly 802434P	25
Pump Mount Bracket 802626	25
Push-to-Start Switch 801434W	5, 9

R

Rear Access Panel 800011	27
Rear Control Cabinet 801058	5, 7

N/A items do not appear in index.

Rear Panel	
800010	27
Retainer Clip	
36014	25
Retaining Ring	
23748	23
Right Control Cabinet Side	
800915W	5
Rocker Switch	
38424W	5, 9
Rubber Foot	
D501855	27
34318	27

S

Screw	
D501086	5, 7, 9, 11, 17
D501524	5, 7, 23
D503661	5, 7, 11, 13, 17, 19, 23, 25, 27
D503688	5, 7
D512921	13, 27
F430956	7
M400043	21, 33
M400057	23
M405188	7
20530	35
23008	7
31645	27
39733	13, 27
430497	27
685831	21
685837	9
70240301	5, 7
800461	19
800462	19, 21
800548	13, 15
800930	5
801001	15
801019	13
801045	13
801993	13
802430	25
802431	25
802596	19
Sealant	
27615P	25
Selector Switch	
803568	7
Shipping Bracket Label	
807552	33
Shipping Materials Kit	
930P3	33
Shock Adjusting Wrench	
392P4	29
Side Panel	
800004G	27
800005G	27
Side Panel Kit	
806492	27
Snap Bushing	
M402542	5, 7
Standpipe Strap	
33489	25

Sticker	
201495	13
Strain Relief	
32219	25
38384	35
Switch Mounting Bracket	
800663	19
803388	19

T

Temperature Switch	
35117	9
687542	5, 7, 9
Temperature Switch Bracket	
800669	9
Tension Rod Assembly	
800666	21
Thermistor	
803256	19
Timer Knob Assembly	
D512117W	5, 9
803098P	7
Top and Gusset Assembly	
802247WP	5
Top Cover	
D505808W	9
Top Hinge	
D510136	27
Top Kit	
803144P	7
Top Panel Kit	
D510029WP	11
Transformer	
210018P	5, 7, 11
Trunnion Shaft and Hardware Kit	
800749P	21
Tub Front Assembly	
802258	19
802259	19
Tub Front Seal	
800432P	19, 21
Tub Shock Absorber Kit	
800622P	19
Tubing	
29214	19
800648P	19
Tub-to-Pump Hose	
800317	25
Twist-to-Start Switch	
803569	7

V

Valve Kit	
685766P	15
Valve-to-Dispenser Inlet Hose	
801464	15, 17

N/A items do not appear in index.

W

Warning Label	
D500049	19, 31
802367	31
803260	31
803522	31
Washer	
M400014	33
M400080	23
M400081	19
M403958	21
02834	23
03815	35
20290	17
52549	23
800457	19, 21
802254	17
802293	13, 15
803615	17
807679	21
Water Hose	
F200116	17
Wire Clamp	
800811	19
Wire Clip	
D504034	35
687500	13, 15, 35
Wire Harness Assembly	
802894P	37
Wire Ring and Spring	
806466	13
Wire Tie	
38663	35
Wire, 12 Gauge	
45380	37
Wire, 18 Gauge	
45001	37
