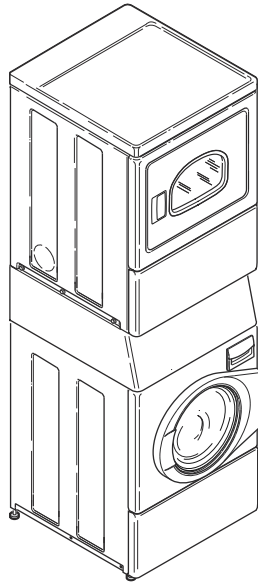


# Non-Vended Stack Washer/Dryers

Refer to Page 5 for Model Numbers



SWD456C\_806105



# Table of Contents

| Title  | Page |
|--|------|
| Parts Ordering Information.....                                    | 3    |
| Serial Plate Location .....  | 3    |
| Model Identification .....   | 5    |
| Control Cabinet .....  | 6    |
| Control Cabinet Line Filter (Drawing 1 of 2).....                  | 8    |
| Control Cabinet Line Filter (Drawing 2 of 2).....                  | 10   |
| Controls - Washers .....   | 12   |
| Controls - Dryers.....   | 14   |
| Overlay.....   | 16   |
| Control Cabinet and Controls.....                                  | 18   |
| Electrical Access Panel, Filters and Terminal Block .....          | 20   |
| Door Assembly and Door Seal.....                                   | 22   |
| Front Panel .....  | 24   |
| Front Panel Assembly .....   | 26   |
| Dispenser Assembly .....   | 28   |
| Mixing Valve.....  | 30   |
| Fill Hose.....   | 32   |
| Outer Tub, Front and Clamp Ring (Drawing 1 of 2).....              | 34   |
| Outer Tub, Front and Clamp Ring (Drawing 2 of 2).....              | 36   |
| Inner Basket, Trunnion, Bearing Housing and Pulley .....           | 38   |
| Motor and Belt (Drawing 1 of 2).....                               | 40   |
| Motor and Belt (Drawing 2 of 2).....                               | 42   |
| Drain Hose and Valve .....   | 44   |
| Drain Hose and Pump (Drawing 1 of 2).....                          | 46   |
| Drain Hose and Pump (Drawing 2 of 2).....                          | 48   |
| Base, Side Panels and Rear Panel.....                              | 50   |
| Washer Junction Box .....  | 52   |
| Special Tools .....  | 54   |
| Washer Lead-In Cord, Wire Ties and Harness Clips .....             | 56   |
| Dryer Door Without Window (Drawing 1 of 2).....                    | 58   |
| Dryer Door Without Window (Drawing 2 of 2).....                    | 60   |
| Dryer Door With Window (Drawing 1 of 2).....                       | 62   |
| Dryer Door With Window (Drawing 2 of 2).....                       | 64   |
| Dryer Door With Window - Through Serial Nos. Beginning 1707 .....  | 66   |
| Dryer Door With Window - Starting Serial Nos. Beginning 1707 ..... | 68   |
| Access Panel, Front Panel and Seal (Drawing 1 of 5).....           | 70   |
| Access Panel, Front Panel and Seal (Drawing 2 of 5).....           | 72   |
| Access Panel, Front Panel and Seal (Drawing 3 of 5).....           | 74   |
| Access Panel, Front Panel and Seal (Drawing 4 of 5).....           | 76   |
| Access Panel, Front Panel and Seal (Drawing 5 of 5).....           | 78   |
| Blower Housing and Shields (Drawing 1 of 2) .....                  | 80   |

© Copyright 2024, Alliance Laundry Systems LLC

All rights reserved. No part of the contents of this book may be reproduced or transmitted in any form or by any means without the expressed written consent of the publisher.

|  |     |
|--|-----|
| Blower Housing and Shields (Drawing 2 of 2) .....                              | 82  |
| Motor, Exhaust Fan and Belt (Drawing 1 of 2).....                              | 84  |
| Motor, Exhaust Fan and Belt (Drawing 2 of 2).....                              | 86  |
| Idler Assembly .....   | 88  |
| Front Bulkhead, Felt Seal and Cylinder .....                                   | 90  |
| Cylinder Light (Drawing 1 of 2) .....  | 92  |
| Cylinder Light (Drawing 2 of 2) .....  | 94  |
| Air Duct (Drawing 1 of 3).....   | 96  |
| Air Duct (Drawing 2 of 3).....   | 98  |
| Air Duct (Drawing 3 of 3).....   | 100 |
| Rear Bulkhead, Felt Seal, Cylinder Roller and Terminal Block.....              | 102 |
| Heater Duct and Element Assembly .....   | 104 |
| Heater Kit Assembly .....  | 106 |
| Heater Duct Assembly .....   | 108 |
| Gas Valve, Igniter and Gas Conversion Kits Through Serial No. 1908000001.....  | 110 |
| Gas Valve, Igniter and Gas Conversion Kits Starting Serial No. 1908000001..... | 112 |
| Gas Valve Through Serial No. 1908000001 .....                                  | 114 |
| Gas Valve Starting Serial No. 1908000001 .....                                 | 116 |
| Burner Orifice Spuds - For Higher Elevations.....                              | 118 |
| Dryer Cabinet, Exhaust Duct and Base (Drawing 1 of 2).....                     | 120 |
| Dryer Cabinet, Exhaust Duct and Base (Drawing 2 of 2).....                     | 122 |
| Output Control Assembly Through Serial No. 1912999999 .....                    | 124 |
| Output Control Assembly Starting Serial No. 2001000001 .....                   | 126 |
| Ignition Control Module .....  | 128 |
| Dryer Lead-In Cord .....   | 130 |
| Dryer Junction Box (Drawing 1 of 3).....                                       | 132 |
| Dryer Junction Box (Drawing 2 of 3).....                                       | 134 |
| Dryer Junction Box (Drawing 3 of 3).....                                       | 136 |
| Dryer Junction Box - Through Serial No. 1912999999 (Drawing 1 of 3).....       | 138 |
| Dryer Junction Box - Through Serial No. 1912999999 (Drawing 2 of 3).....       | 140 |
| Dryer Junction Box - Through Serial No. 1912999999 (Drawing 3 of 3).....       | 142 |
| Dryer Lead-In Cord - Starting Serial No. 2001000001 .....                      | 144 |
| Dryer Labels.....  | 146 |
| Washer Labels .....  | 148 |
| Shipping Materials .....   | 150 |
| Miscellaneous Wire Harnesses and Wires.....                                    | 152 |
| Dryer Wire Harnesses - Through Serial No. 1912999999 .....                     | 154 |
| Dryer Wire Harnesses - Starting Serial No. 2001000001 .....                    | 156 |
| Washer and Control Wire Harnesses .....  | 158 |
| Parts Index.....   | 161 |

## Parts Ordering Information

If literature or replacement parts are required, contact the source from whom the machine was purchased or contact Alliance Laundry Systems at (920) 748-3950 for the name and address of the nearest authorized parts distributor.

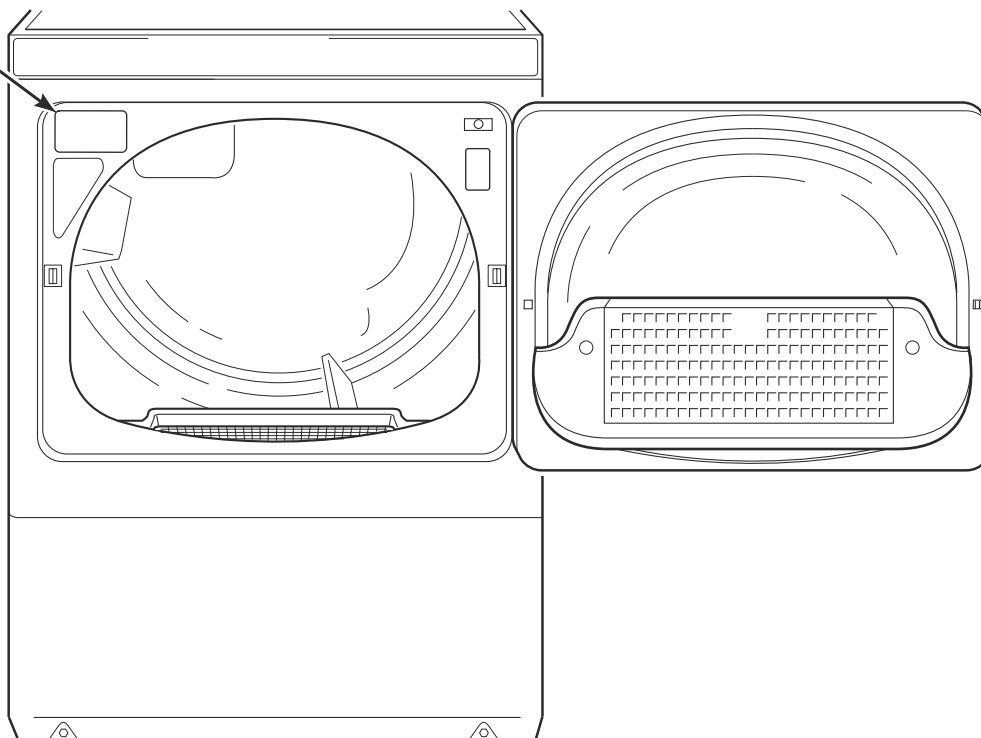
For technical assistance, call the number listed below:

(920) 748-3121 Ripon, Wisconsin

## Serial Plate Location

When calling or writing about your product, be sure to mention model and serial numbers. Model and serial numbers are located on serial plate(s) as shown.

SERIAL PLATE



DRY2283P\_806105



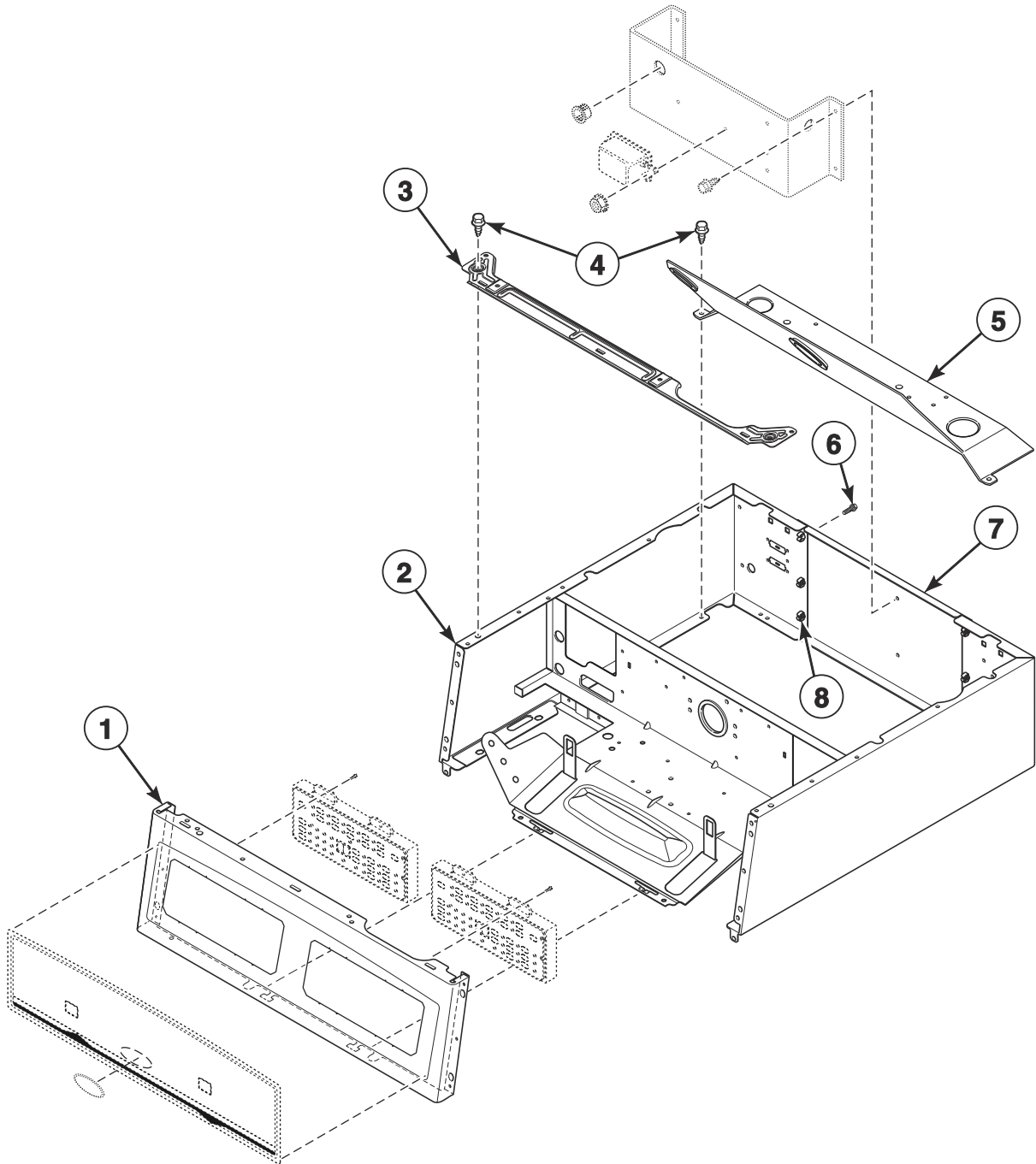
## Model Identification

Information in this manual is applicable to these washer/dryer models:

|                 |                 |                 |
|-----------------|-----------------|-----------------|
| ATEE9AGP435AW01 | LTEA5FSP153TW01 | PTEE3FSP173TG01 |
| ATEE9ASG453NW36 | LTEA5FSP153TW04 | PTEE3FSP175TG01 |
| ATEE9ASG455NW36 | LTEA5FSP173TW01 | PTEE3FSP175TW01 |
| ATEE9ASP133DN04 | LTEA5FSP173TW04 | PTEE3FSP283CG01 |
| ATEE9ASP133DW04 | LTEE5AGP133ZW30 | PTEE3FSP285CG01 |
| ATEE9ASP283CW01 | LTEE5ASP133FW01 | PTEE3FSP433AG01 |
| ATEE9ASP285CW01 | LTEE5ASP135MW01 | PTGE3FSP093CG01 |
| ATEE9ASP285CW14 | LTEE5ASP153TW01 | PTGE3FSP095CG01 |
| ATEE9ASP286CW01 | LTEE5ASP155TW01 | PTGE3FSP113TG01 |
| ATEE9ASP433XW34 | LTEE5ASP173TW01 | PTGE3FSP115TG01 |
| ATEE9ASP453LW26 | LTEE5ASP175TW01 | PTGE3FSP115TW01 |
| ATEE9ASP435XW34 | LTEE5ASP283CW01 | PTGE3FSP303AG01 |
| ATEE9ASP455LN01 | LTEE5ASP285CW01 | PTHE9ASP455NG29 |
| ATEE9ASP455LW01 | LTEE5ASP293CW01 | TTEE5ASP303NW36 |
| ATEE9ASP543DN04 | LTEE5ASP295CW01 | TTPE5ASP303NW36 |
| ATEE9ASP543DW04 | LTEE5ASP303WW01 | UTEE5ASP173TW01 |
| ATEE9ASP545DW04 | LTEE5ASP303WW37 | UTEE5ASP173TW08 |
| ATEE9ASP565XW01 | LTEE5ASP303ZW01 | UTEE5ASP175TW01 |
| ATEE9AWP433AW01 | LTEE5ASP333NW01 | UTEE5ASP175TW08 |
| ATEE9AWP435AW01 | LTEE5ASP433AW01 | UTEE5ASP283CW01 |
| ATGE9AGP305AW01 | LTEE5ASP433AW12 | UTEE5ASP285CW01 |
| ATGE9ASP093CW01 | LTEE5ASP453VW26 | UTGE5ASP113TW01 |
| ATGE9ASP095CW01 | LTEE5ASP543NW01 | UTGE5ASP113TW08 |
| ATGE9ASP095CW14 | LTEE5ASP543NW23 | UTGE5ASP115TW01 |
| ATGE9ASP123DN04 | LTEE5ASP543RW01 | UTGE5ASP115TW08 |
| ATGE9ASP123DW04 | LTEE5ASP553KW01 | YTEE5ASP133FW01 |
| ATGE9ASP125DW04 | LTEE5FSP175TW01 | YTEE5ASP173TW01 |
| ATGE9ASP303XW01 | LTEE5FSP275TW01 | YTEE5ASP175TW01 |
| ATGE9ASP303XW26 | LTGA5FSP113TW01 | YTEE5ASP283CW01 |
| ATGE9ASP305XW01 | LTGE5ASP093CW01 | YTEE5ASP285CW01 |
| ATGE9ASP543DN04 | LTGE5ASP095CW01 | YTEE5ASP303NW10 |
| ATGE9ASP543DW04 | LTGE5ASP113FW01 | YTGE5ASP093CW01 |
| ATGE9ASP545DW04 | LTGE5ASP113JW01 | YTGE5ASP095CW01 |
| ATGE9AWP303AW01 | LTGE5ASP113TW01 | YTGE5ASP113FW01 |
| ATGE9AWP305AW01 | LTGE5ASP115TW01 | YTGE5ASP113TW01 |
| ATHE9ASP453NW29 | LTGE5ASP125MW01 | YTGE5ASP115TW01 |
| ATHE9ASP455NN29 | LTGE5ASP303AW01 | YTGE5ASP303NW21 |
| ATHE9ASP455NW29 | LTGE5ASP303AW12 | ZTEE9ASP286CW01 |
| ATLE9ASP305LW01 | LTGE5FSP115TW01 | ZTGE9ASP096CW01 |
| BTEE6ASP173TW01 | LTLE5ASP303LW01 | ZTHE9ASP455NN29 |
| BTEE6ASP283CW01 | LTLE5ASP303NW35 | ZTHE9ASP455NW29 |
| BTGE6ASP093CW01 | LTLE5ASP543NW23 |                 |
| BTGE6ASP113TW01 | LTME5ASP543KW01 |                 |
| FTEE5ASP303NW10 |                 |                 |
| FTEE5ASP303ZW01 |                 |                 |
| FTEE5ASP433LW01 |                 |                 |
| FTGE5ASP303NW10 |                 |                 |

# Control Cabinet

10 Degree Front Models



SWD1298P\_806105

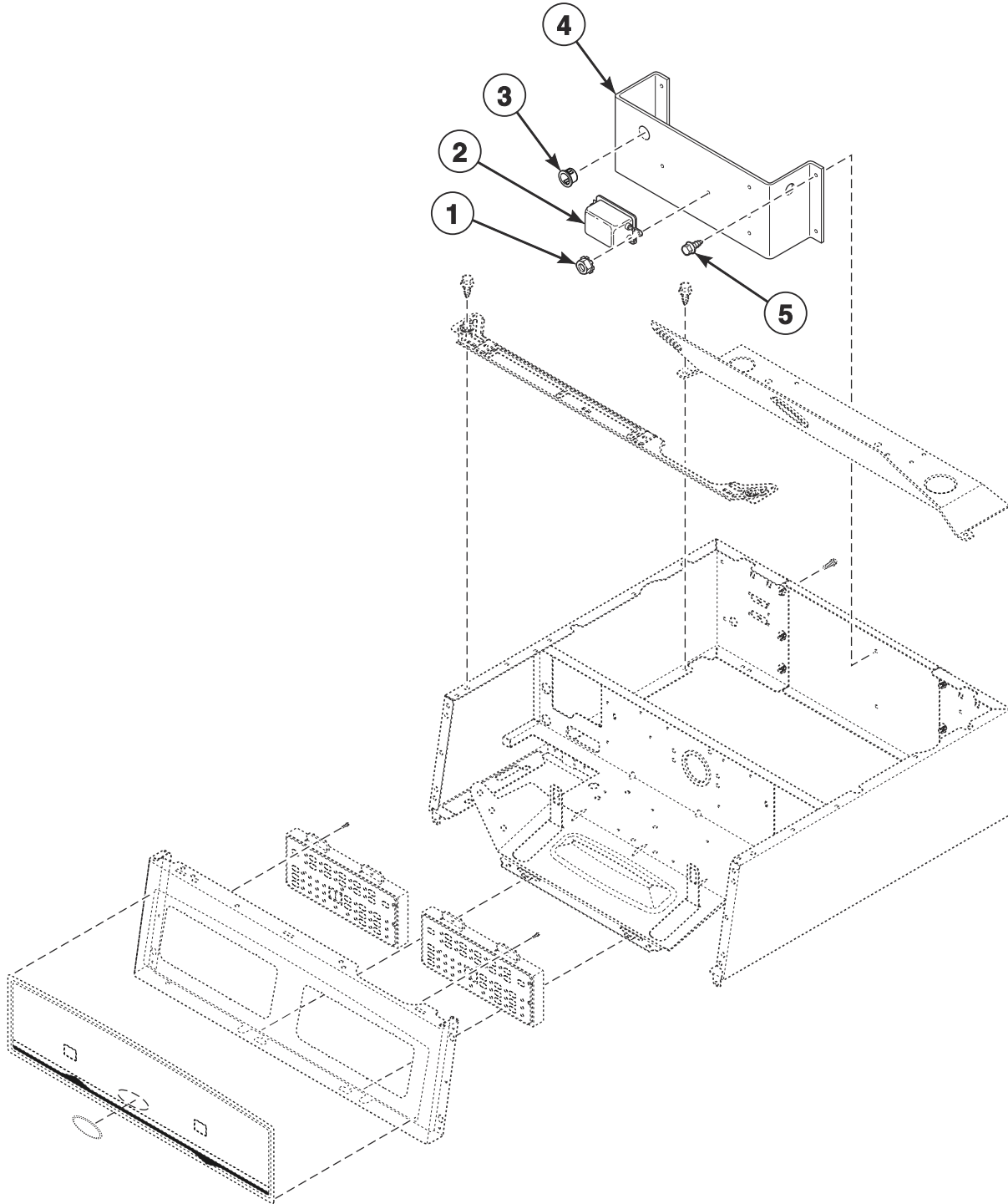


# Control Cabinet

| REF | PART NO. | DESCRIPTION       | COMMENTS                       |
|-----|----------|-------------------|--------------------------------|
| 1   | 803960WP | Control Panel     | White                          |
|     | 803960B  | Control Panel     | Black                          |
|     | 803960DG | Control Panel     | Gray                           |
| 2   | 804112W  | Wrapper Assembly  | White                          |
|     | 804112B  | Wrapper Assembly  | Black                          |
|     | 804112DG | Wrapper Assembly  | Gray                           |
| 3   | 804018   | Shield Bracket    |                                |
| 4   | D503688  | Screw             |                                |
| 5   | 804363   | Control Shield    |                                |
| 6   | 70240301 | Screw             |                                |
| 7   | 803998   | Rear Access Panel | Through Serial No. 1912999999  |
|     | 807646   | Rear Access Panel | Starting Serial No. 2001000001 |
| 8   | 70030501 | Expansion Clip    |                                |

# Control Cabinet Line Filter (Drawing 1 of 2)

Models ATEE9ASG453NW36, ATEE9ASP133DN04, ATEE9ASP133DW04, ATEE9ASP433XW34, ATEE9ASP453LW26, ATEE9ASP543DN04, ATEE9ASP543DW04, ATEE9AWP433AW01, ATGE9ASP123DN04, ATGE9ASP123DW04, ATGE9ASP303XW01, ATGE9ASP303XW26, ATGE9ASP543DN04, ATGE9ASP543DW04, ATGE9AWP303AW01, FTEE5ASP303NW10, FTEE5ASP303ZW01, FTGE5ASP303NW10, LTEE5AGP133ZW30, LTEE5ASP133FW01, LTEE5ASP303WW01, LTEE5ASP303WW37, LTEE5ASP303ZW01, LTEE5ASP333NW01, LTEE5ASP433AW01, LTEE5ASP433AW12, LTEE5ASP453VW26, LTEE5ASP543NW01, LTEE5ASP543NW23, LTEE5ASP543RW01, LTGE5ASP113FW01, LTGE5ASP303AW01, LTGE5ASP303AW12, LTLE5ASP303NW35, LTLE5ASP543NW23, YTEE5ASP133FW01, YTEE5ASP303NW10 and YTEE5ASP113FW01 Through Serial Nos. beginning 1610



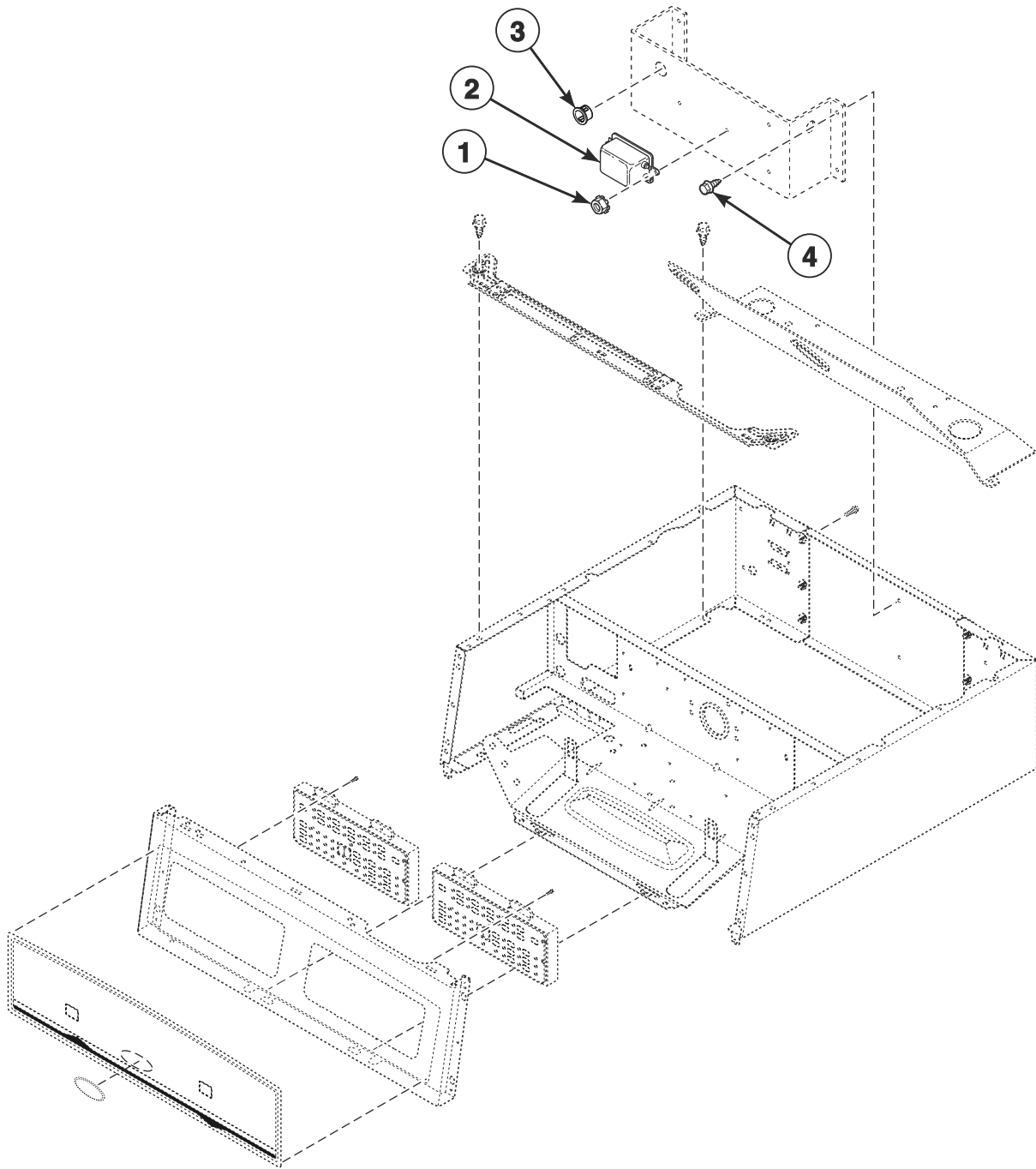
SWD1298PB\_806105

## Control Cabinet Line Filter (Drawing 1 of 2)

| REF      | PART NO. | DESCRIPTION             | COMMENTS   |
|----------|----------|-------------------------|--|
|          | 804396   | Filter Harness          | Filter to main harness; Model LTEE5AGP133ZW30  |
|          | 804797   | Filter Harness          | Filter to main harness; All other models   |
| <b>1</b> | 29787    | Nut                     |  |
| <b>2</b> | 805633   | Line Filter             | Models ATEE9ASP133DN04, ATEE9ASP133DW04, ATEE9ASP543DN04, ATEE9ASP543DW04, ATGE9ASP123DN04, ATGE9ASP123DW04, ATGE9ASP543DN04, ATGE9ASP543DW04, LTEE5ASP133FW01, LTGE5ASP113FW01, YTEE5ASP133FW01 and YTGE5ASP113FW01 |
|          | 807473   | Line Filter             | All other models   |
| <b>3</b> | M402542  | Snap Bushing            |  |
| <b>4</b> | 803988   | Terminal Block Assembly |  |
| <b>5</b> | D503661  | Screw                   |  |

# Control Cabinet Line Filter (Drawing 2 of 2)

Models LTEE5FSP275TW01



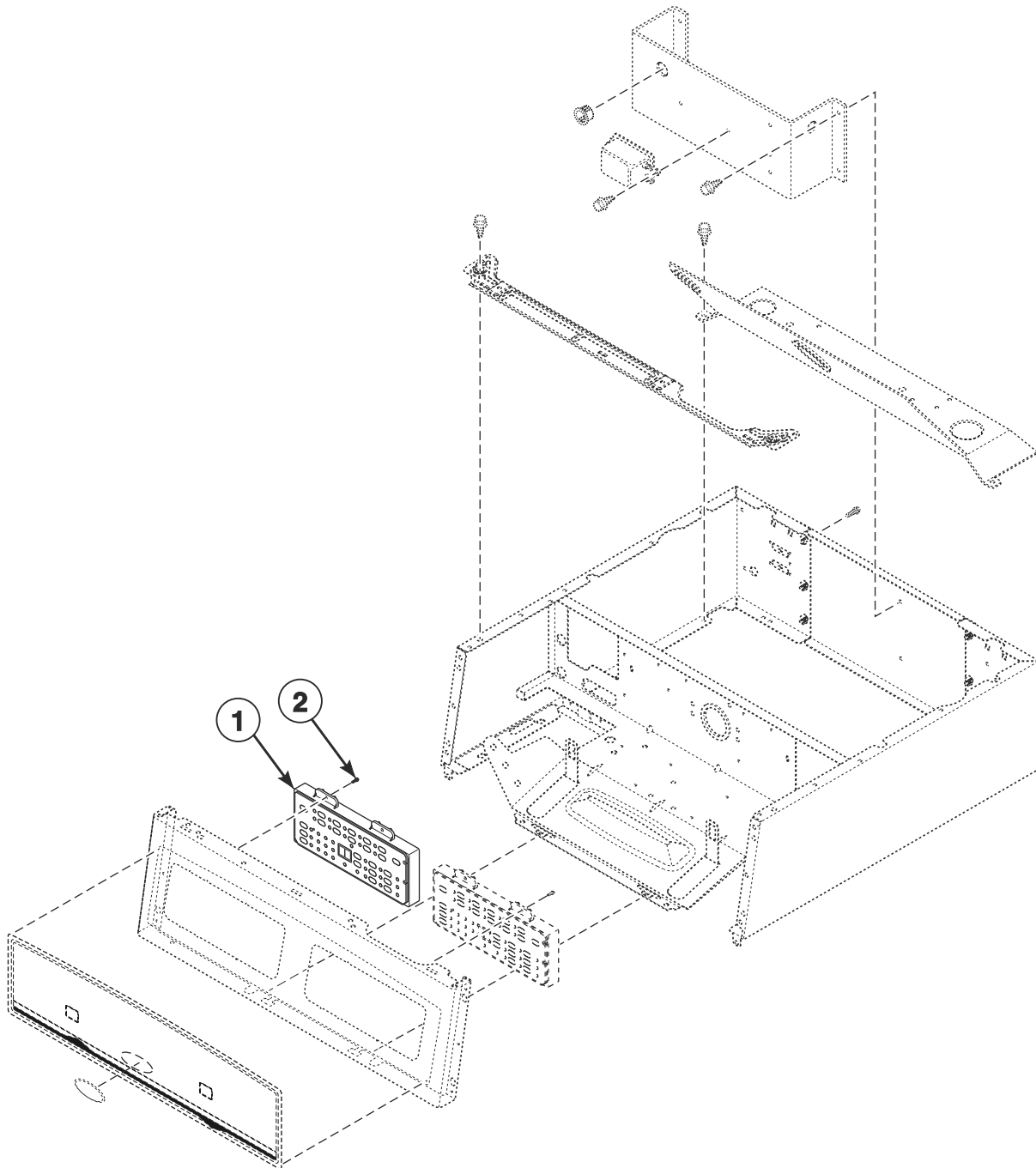
SWD1298PD\_806105

## Control Cabinet Line Filter (Drawing 2 of 2)

| REF | PART NO. | DESCRIPTION              | COMMENTS               |
|-----|----------|--------------------------|------------------------|
|     | 61203    | Thermostat Opening Cover |                        |
|     | 202917   | Power Jumper Harness     |                        |
|     | 804797   | Filter Harness           | Filter to main harness |
| 1   | 29787    | Nut                      |                        |
| 2   | 807473   | Line Filter              |                        |
| 3   | M402542  | Snap Bushing             |                        |
| 4   | D503661  | Screw                    |                        |

# Controls - Washers

10 Degree Front Models



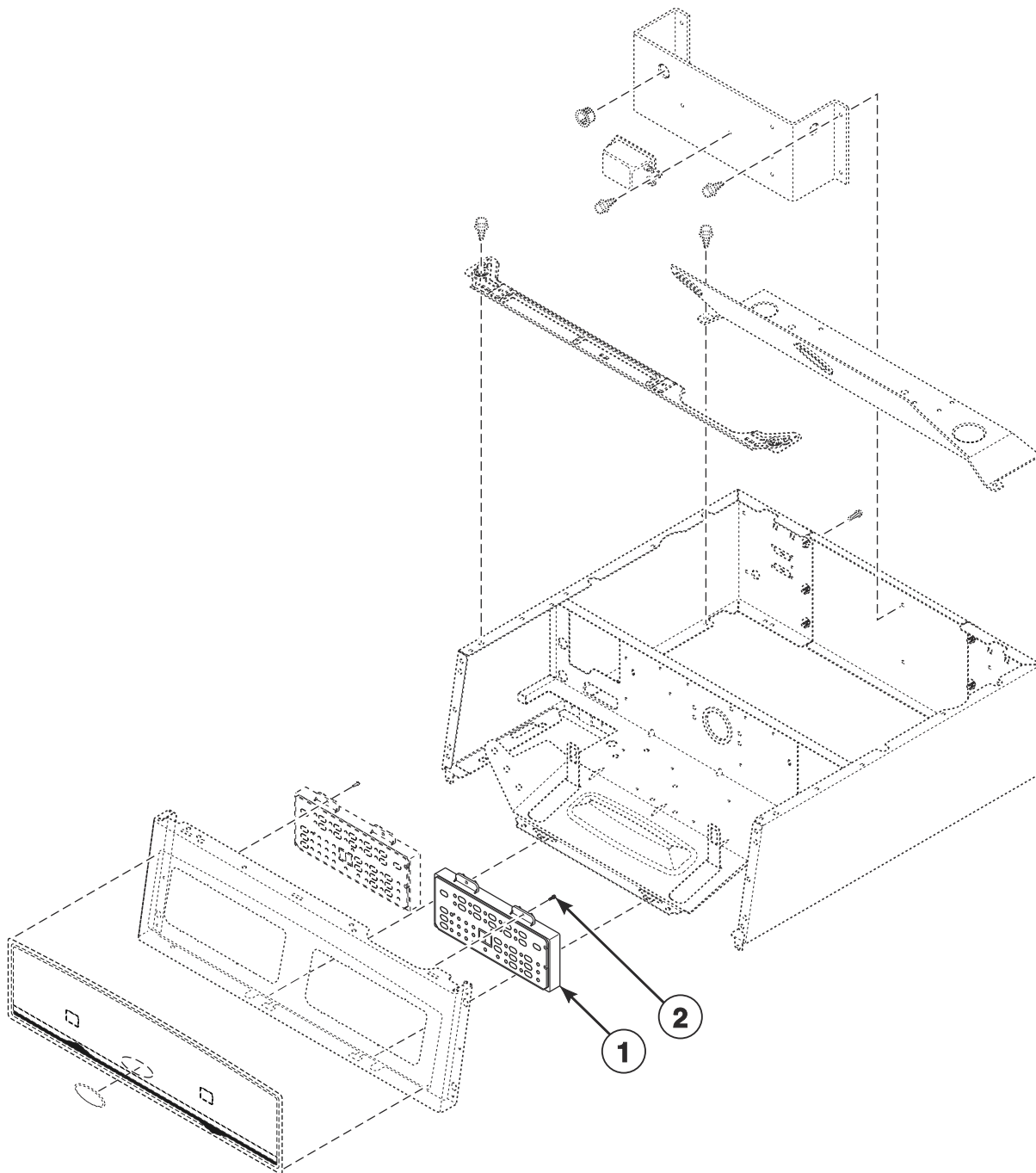
SWD1298PA\_806105

## Controls - Washers

| REF | PART NO. | DESCRIPTION      | COMMENTS  |
|-----|----------|------------------|---|
| 1   | 805236P  | Control Assembly | Washer; Models ATEE9AGP435AW01, ATEE9AWP433AW01, ATEE9AWP435AW01, ATGE9AGP305AW01, ATGE9ASP303XW01, ATGE9ASP303XW26, ATGE9ASP305XW01, ATGE9AWP303AW01 and ATGE9AWP305AW01 through Serial No. 2012999999   |
|     | 807519   | Control Assembly | Washer; Models ATEE9AGP435AW01, ATEE9AWP433AW01, ATEE9AWP435AW01, ATGE9AGP305AW01, ATGE9ASP303XW01, ATGE9ASP303XW26, ATGE9ASP305XW01, ATGE9AWP303AW01 and ATGE9AWP305AW01 starting Serial No. 2101000001  |
|     | 805218P  | Control Assembly | Washer; Models BTEE6ASP173TW01, BTEE6ASP283CW01, BTGE6ASP093CW01 and BTGE6ASP113TW01  |
|     | 805225P  | Control Assembly | Models LTEE5ASP433AW01, LTEE5ASP433AW12, LTGE5ASP303AW01 and LTGE5ASP303AW12 through Serial No. 2012999999  |
|     | 807518   | Control Assembly | Models LTEE5ASP433AW01, LTEE5ASP433AW12, LTGE5ASP303AW01 and LTGE5ASP303AW12 starting Serial No. 2101000001   |
|     | 805219P  | Control Assembly | Washer; Models ATEE9ASG453NW36, ATEE9ASG455NW36, ATEE9ASP133DN04, ATEE9ASP133DW04, ATEE9ASP283CW01, ATEE9ASP285CW01, ATEE9ASP285CW14, ATEE9ASP433XW34, ATEE9ASP435XW34, ATEE9ASP453LW26, ATEE9ASP455LN01, ATEE9ASP455LW01, ATEE9ASP543DN04, ATEE9ASP543DW04, ATEE9ASP545DW04, ATEE9ASP565XW01, ATGE9ASP093CW01, ATGE9ASP095CW01, ATGE9ASP095CW14, ATGE9ASP123DN04, ATGE9ASP123DW04, ATGE9ASP125DW04, ATGE9ASP543DN04, ATGE9ASP543DW04, ATGE9ASP545DW04 and ATLE9ASP305LW01 through Serial No. 2012999999  |
|     | 807517   | Control Assembly | Washer; Models ATEE9ASG453NW36, ATEE9ASG455NW36, ATEE9ASP133DN04, ATEE9ASP133DW04, ATEE9ASP283CW01, ATEE9ASP285CW01, ATEE9ASP285CW14, ATEE9ASP433XW34, ATEE9ASP435XW34, ATEE9ASP453LW26, ATEE9ASP455LN01, ATEE9ASP455LW01, ATEE9ASP543DN04, ATEE9ASP543DW04, ATEE9ASP545DW04, ATEE9ASP565XW01, ATGE9ASP093CW01, ATGE9ASP095CW01, ATGE9ASP095CW14, ATGE9ASP123DN04, ATGE9ASP123DW04, ATGE9ASP125DW04, ATGE9ASP543DN04, ATGE9ASP543DW04, ATGE9ASP545DW04 and ATLE9ASP305LW01 starting Serial No. 2101000001 |
|     | 806589   | Control Assembly | Washer; Models ATHE9ASP453NW29, ATHE9ASP455NN29, ATHE9ASP455NW29 and ZTHE9ASP455NN29 through Serial No. 2012999999  |
|     | 807521   | Control Assembly | Washer; Models ATHE9ASP453NW29, ATHE9ASP455NN29, ATHE9ASP455NW29 and ZTHE9ASP455NN29 starting Serial No. 2101000001   |
|     | 807530   | Control Assembly | Model ATEE9ASP286CW01   |
|     | 805217P  | Control Assembly | Washer; All other models through Serial No. 2012999999  |
|     | 807516   | Control Assembly | Washer; All other models starting Serial No. 2101000001   |
| 2   | 804667   | Screw            |   |

# Controls - Dryers

10 Degree Front Models



SWD1298PE\_806105

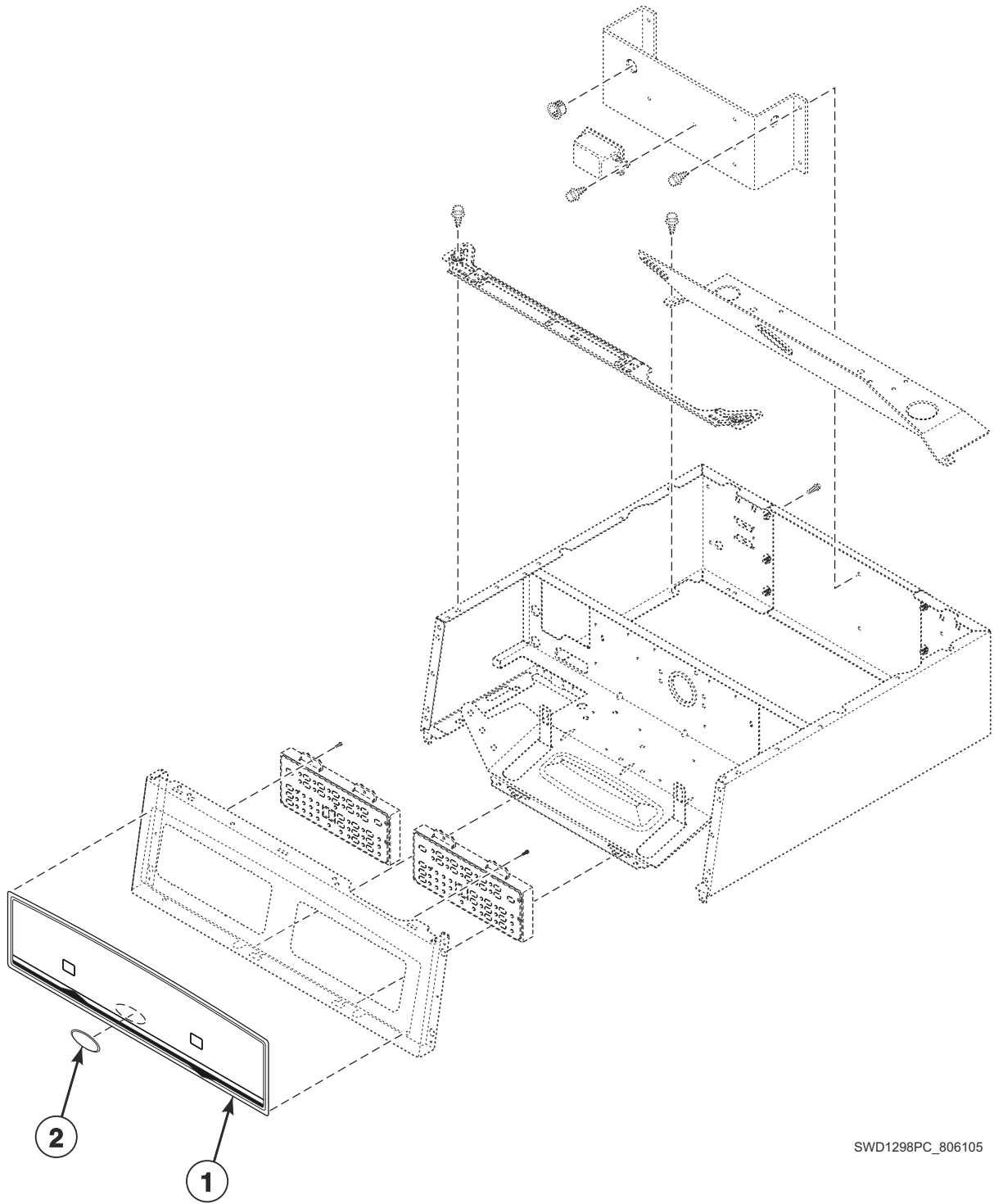


## Controls - Dryers

| REF | PART NO. | DESCRIPTION      | COMMENTS  |
|-----|----------|------------------|---|
| 1   | D514567P | Control          | Dryer; Models ATEE9AGP435AW01, ATEE9ASG453NW36, ATEE9ASG455NW36, ATEE9ASP133DN04, ATEE9ASP133DW04, ATEE9ASP283CW01, ATEE9ASP285CW01, ATEE9ASP285CW14, ATEE9ASP453LW26, ATEE9ASP455LN01, ATEE9ASP455LW01, ATEE9ASP543DN04, ATEE9ASP543DW04, ATEE9ASP545DW04, ATEE9ASP565XW01, ATEE9AWP433AW01, ATEE9AWP435AW01, ATGE9AGP305AW01, ATGE9ASP093CW01, ATGE9ASP095CW01, ATGE9ASP095CW14, ATGE9ASP123DN04, ATGE9ASP123DW04, ATGE9ASP125DW04, ATGE9ASP303XW01, ATGE9ASP303XW26, ATGE9ASP305XW01, ATGE9ASP543DN04, ATGE9ASP543DW04, ATGE9ASP545DW04, ATGE9AWP303AW01, ATGE9AWP305AW01, ATHE9ASP453NW29, ATHE9ASP455NN29, ATHE9ASP455NW29, ATLE9ASP305LW01, PTHE9ASP455NG29, ZTHE9ASP455NN29 and ZTHE9ASP455NW29; Through Serial No. 1912999999                   |
|     | D517585  | Control Assembly | Dryer; Models ATEE9AGP435AW01, ATEE9ASG453NW36, ATEE9ASG455NW36, ATEE9ASP133DN04, ATEE9ASP133DW04, ATEE9ASP283CW01, ATEE9ASP285CW01, ATEE9ASP285CW14, ATEE9ASP286CW01, ATEE9ASP453LW26, ATEE9ASP455LN01, ATEE9ASP455LW01, ATEE9ASP543DN04, ATEE9ASP543DW04, ATEE9ASP545DW04, ATEE9ASP565XW01, ATEE9AWP433AW01, ATEE9AWP435AW01, ATGE9AGP305AW01, ATGE9ASP093CW01, ATGE9ASP095CW01, ATGE9ASP095CW14, ATGE9ASP123DN04, ATGE9ASP123DW04, ATGE9ASP125DW04, ATGE9ASP303XW01, ATGE9ASP303XW26, ATGE9ASP305XW01, ATGE9ASP543DN04, ATGE9ASP543DW04, ATGE9ASP545DW04, ATGE9AWP303AW01, ATGE9AWP305AW01, ATHE9ASP453NW29, ATHE9ASP455NN29, ATHE9ASP455NW29, ATLE9ASP305LW01, PTHE9ASP455NG29, ZTHE9ASP455NN29 and ZTHE9ASP455NW29; Starting Serial No. 2001000001 |
|     | D514566P | Control          | Dryer; Models BTEE6ASP173TW01, BTEE6ASP283CW01, BTGE6ASP093CW01 and BTGE6ASP113TW01   |
|     | D514565P | Control Assembly | Dryer; All other models; Through Serial No. 1912999999  |
|     | D517584  | Control Assembly | Dryer; All other models; Starting Serial No. 2001000001   |
| 2   | 804667   | Screw            |   |

# Overlay

10 Degree Front Models



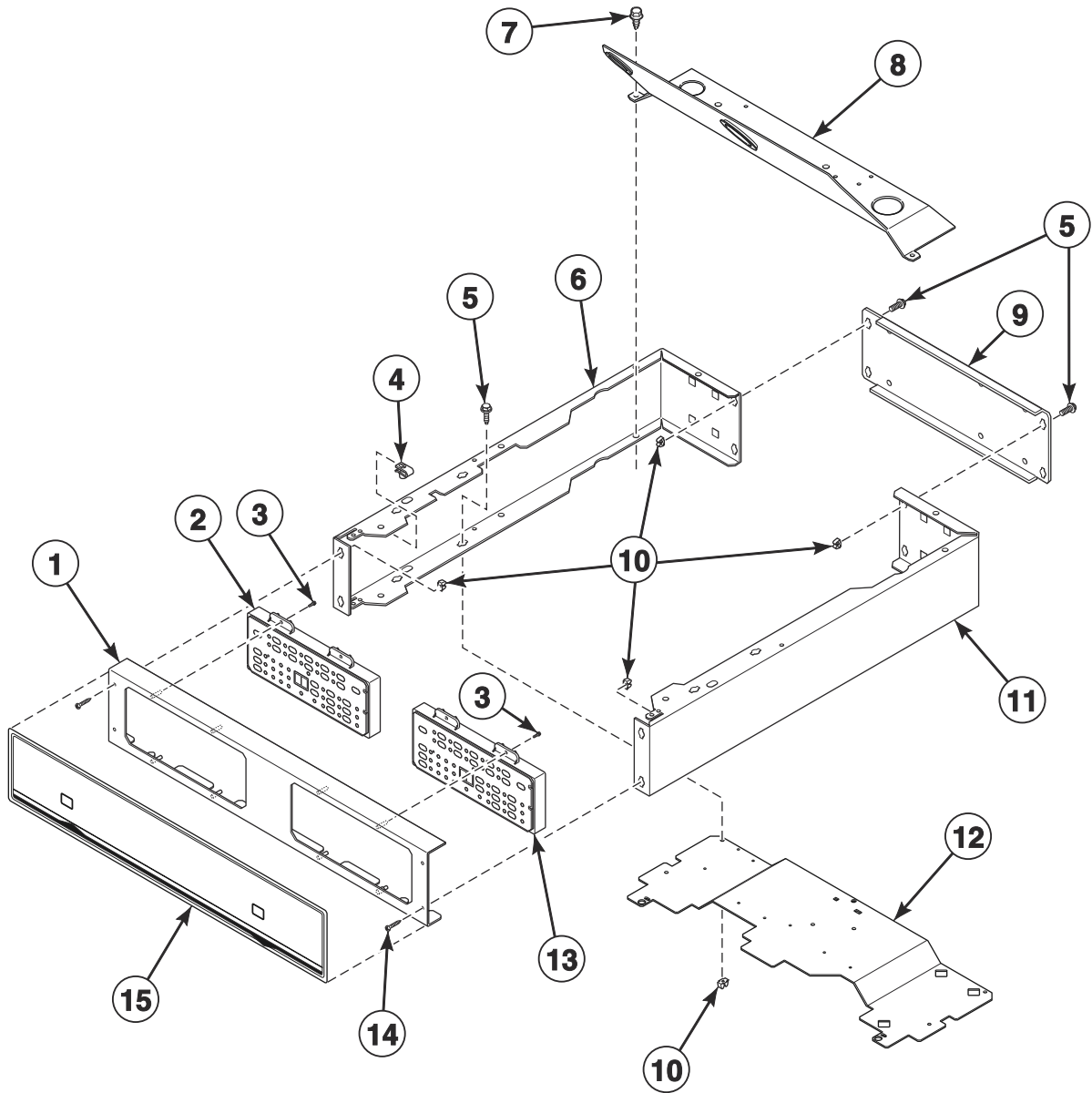
SWD1298PC\_806105

# Overlay

| REF | PART NO. | DESCRIPTION     | COMMENTS  |
|-----|----------|-----------------|---|
| 1   | 804491   | Control Overlay | Models ATEE9ASG453NW36, ATEE9ASP433XW34, ATEE9ASP453LW26, ATEE9AWP433AW01, ATGE9ASP303XW01, ATGE9ASP303XW26 and ATGE9AWP303AW01   |
|     | 805651   | Control Overlay | Models BTEE6ASP283CW01, BTGE6ASP093CW01, FTEE5ASP303ZW01, LTEE5ASP135MW01, LTEE5ASP293CW01, LTEE5ASP295CW01, LTEE5ASP303ZW01, LTEE5ASP333NW01, LTEE5ASP543NW01, LTGE5ASP113JW01, LTGE5ASP125MW01, UTEE5ASP283CW01, UTEE5ASP285CW01, YTEE5ASP283CW01, YTEE5ASP285CW01, YTGE5ASP093CW01 and YTGE5ASP095CW01   |
|     | 807494   | Control Overlay | Model ATEE9ASP286CW01   |
|     | 806309   | Control Overlay | Models ATEE9ASP133DN04, ATEE9ASP133DW04, ATEE9ASP543DN04, ATEE9ASP543DW04, ATGE9ASP123DN04, ATGE9ASP123DW04, ATGE9ASP543DN04 and ATGE9ASP543DW04  |
|     | 804734   | Control Overlay | Models ATEE9ASP283CW01 and ATGE9ASP093CW01  |
|     | 806446   | Control Overlay | Model ATHE9ASP453NW29   |
|     | 806807   | Control Overlay | Models LTEE5ASP553KW01 and LTME5ASP543KW01  |
|     | 806745   | Control Overlay | Models ATHE9ASP455NN29 and ATHE9ASP455NW29  |
|     | 806701   | Control Overlay | Models ATEE9AGP435AW01, ATEE9ASG455NW36, ATEE9ASP285CW01, ATEE9ASP435XW34, ATEE9ASP455LN01, ATEE9ASP455LW01, ATEE9ASP565XW01, ATEE9AWP435AW01, ATGE9AGP305AW01, ATGE9ASP095CW01, ATGE9ASP305XW01, ATGE9AWP305AW01 and ATLE9ASP305LW01   |
|     | 806309   | Control Overlay | Models ATEE9ASP285CW14 and ATGE9ASP095CW14  |
|     | 807189   | Control Overlay | Models ATEE9ASP545DW04, ATGE9ASP125DW04 and ATGE9ASP545DW04   |
|     | 807466   | Control Overlay | Model YTGE5ASP303NW21   |
|     | 807654   | Control Overlay | Models ZTEE9ASP286CW01 and ZTGE9ASP096CW01  |
|     | 807708   | Control Overlay | Models ZTHE9ASP455NN29 and ZTHE9ASP455NW29  |
|     | 808303   | Control Overlay | Model PTHE9ASP455NG29   |
|     | 805650   | Control Overlay | All other models  |
| 2   | 804969   | Label           | Models ATLE9ASP305LW01, FTEE5ASP433LW01, LTEE5AGP133ZW30, LTEE5ASP133FW01, LTEE5ASP135MW01, LTEE5ASP153TW01, LTEE5ASP155TW01, LTEE5ASP173TW01, LTEE5ASP175TW01, LTEE5ASP283CW01, LTEE5ASP285CW01, LTEE5ASP293CW01, LTEE5ASP295CW01, LTEE5ASP303WW01, LTEE5ASP303WW37, LTEE5ASP303ZW01, LTEE5ASP333NW01, LTEE5ASP433AW01, LTEE5ASP433AW12, LTEE5ASP453VW26, LTEE5ASP543NW01, LTEE5ASP543NW23, LTEE5ASP543RW01, LTEE5ASP553KW01, LTGE5ASP093CW01, LTGE5ASP095CW01, LTGE5ASP113JW01, LTGE5ASP113TW01, LTGE5ASP115TW01, LTGE5ASP125MW01, LTGE5ASP303AW01, LTGE5ASP303AW12, LTLE5ASP303LW01, LTLE5ASP303NW35, LTLE5ASP543NW23, LTME5ASP543KW01 and YTGE5ASP303NW21 |
|     | 804970   | Domed Label     | Models YTEE5ASP133FW01, YTEE5ASP173TW01, YTEE5ASP175TW01, YTEE5ASP283CW01, YTEE5ASP285CW01, YTEE5ASP303NW10, YTGE5ASP093CW01, YTGE5ASP095CW01, YTGE5ASP113FW01, YTGE5ASP113TW01 and YTGE5ASP115TW01   |
|     | 800923   | Domed Label     | Models UTEE5ASP173TW01, UTEE5ASP173TW08, UTEE5ASP175TW01, UTEE5ASP175TW08, UTEE5ASP283CW01, UTEE5ASP285CW01, UTGE5ASP113TW01, UTGE5ASP113TW08, UTGE5ASP115TW01 and UTGE5ASP115TW08  |
|     | 203173   | Domed Label     | Models BTEE6ASP173TW01, BTEE6ASP283CW01, BTGE6ASP093CW01 and BTGE6ASP113TW01  |
|     | 805914   | Label           | Domed; Models TTHE5ASP303NW36 and TTPE5ASP303NW36   |

# Control Cabinet and Controls

Flat Front Models



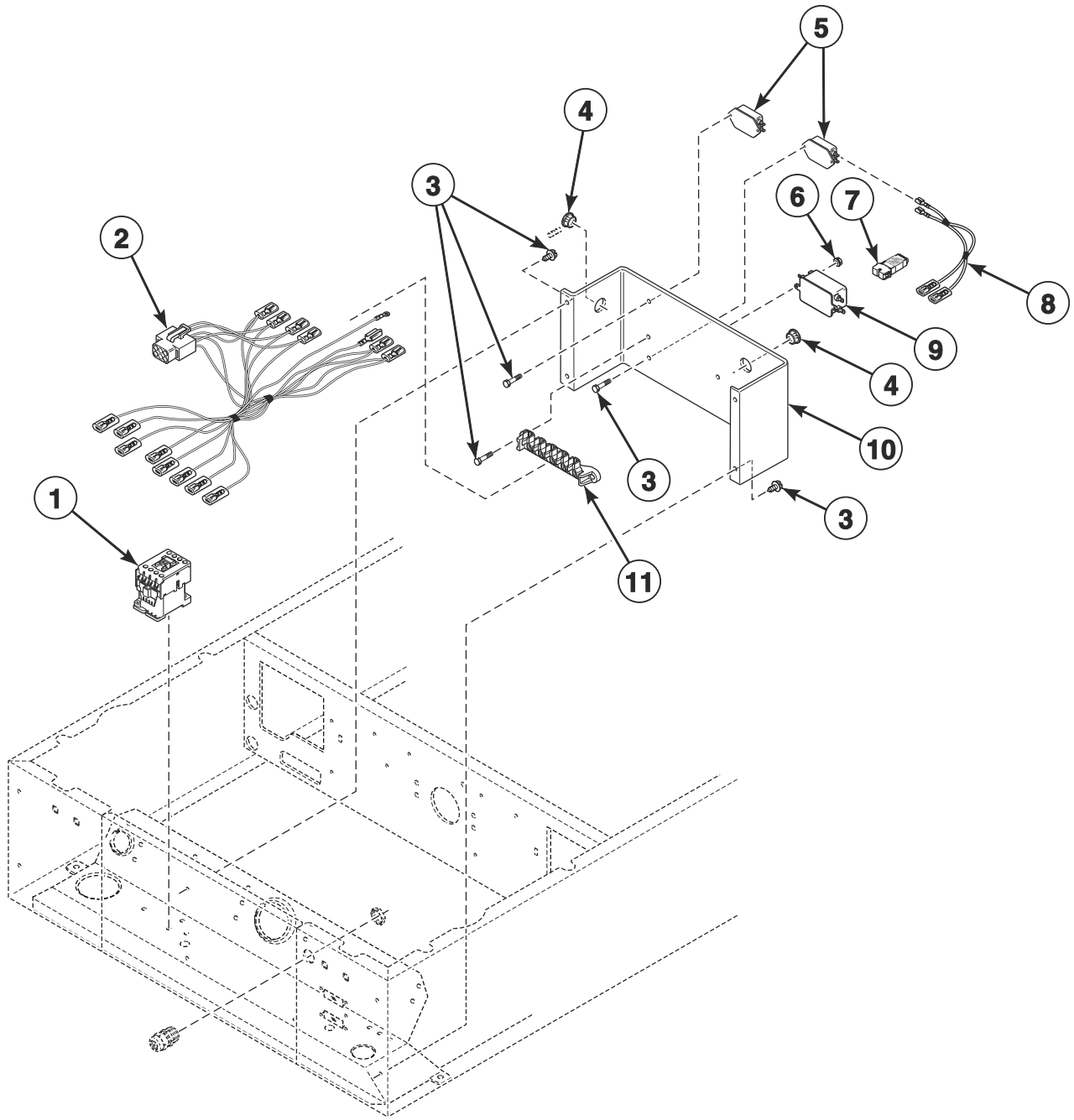
SWD1296P\_806105

## Control Cabinet and Controls

| REF | PART NO. | DESCRIPTION          | COMMENTS   |
|-----|----------|----------------------|--|
| 1   | 806586W  | Control Panel        | White  |
|     | 806135DG | Control Panel        | Gray   |
| 2   | 805217P  | Control Assembly     | Washer; Models LTEA5FSP153TW01, LTEA5FSP153TW04, LTEA5FSP173TW01, LTEA5FSP173TW04, LTEE5FSP175TW01, LTEE5FSP275TW01, LTGA5FSP113TW01 and LTGE5FSP115TW01   |
|     | 806259P  | Control Assembly     | Washer; Models PTEE3FSP173TG01, PTEE3FSP175TG01, PTEE3FSP175TW01, PTEE3FSP283CG01, PTEE3FSP285CG01, PTEE3FSP433AG01, PTGE3FSP093CG01, PTGE3FSP095CG01, PTGE3FSP113TG01, PTGE3FSP115TG01, PTGE3FSP115TW01 and PTGE3FSP303AG01 |
| 3   | 804667   | Screw                |  |
| 4   | 800931   | Nut                  |  |
| 5   | 430497   | Screw                |  |
| 6   | 804640W  | Control Cabinet      | Left; White  |
|     | 804640DG | Control Cabinet      | Left; Gray   |
| 7   | D503688  | Screw                |  |
| 8   | 804363   | Control Shield       |  |
| 9   | 804859   | Rear Control Cabinet |  |
| 10  | 70030501 | Expansion Clip       |  |
| 11  | 804639W  | Control Cabinet      | Right; White   |
|     | 804639DG | Control Cabinet      | Right; Gray  |
| 12  | 804642   | Control Cabinet Base |  |
| 13  | D515430P | Control Assembly     | Dryer; Models LTEA5FSP153TW01, LTEA5FSP153TW04, LTEA5FSP173TW01, LTEA5FSP173TW04 and LTGA5FSP113TW01   |
|     | D515798P | Control              | Dryer; Models PTEE3FSP173TG01, PTEE3FSP175TG01, PTEE3FSP175TW01, PTEE3FSP283CG01, PTEE3FSP285CG01, PTEE3FSP433AG01, PTGE3FSP093CG01, PTGE3FSP095CG01, PTGE3FSP113TG01, PTGE3FSP115TG01, PTGE3FSP115TW01 and PTGE3FSP303AG01  |
|     | D514565P | Control Assembly     | Dryer; Models LTEE5FSP175TW01, LTEE5FSP275TW01 and LTGE5FSP115TW01   |
| 14  | 800930   | Screw                |  |
| 15  | 806121   | Overlay              | Models LTEA5FSP153TW01, LTEA5FSP153TW04, LTEA5FSP173TW01, LTEA5FSP173TW04 and LTGA5FSP113TW01  |
|     | 806193   | Overlay              | Models PTEE3FSP173TG01, PTEE3FSP175TG01, PTEE3FSP175TW01, PTEE3FSP283CG01, PTEE3FSP285CG01, PTEE3FSP433AG01, PTGE3FSP093CG01, PTGE3FSP095CG01, PTGE3FSP113TG01, PTGE3FSP115TG01, PTGE3FSP115TW01 and PTGE3FSP303AG01         |
|     | 806060   | Overlay              | Models LTEE5FSP175TW01, LTEE5FSP275TW01 and LTGE5FSP115TW01  |

# Electrical Access Panel, Filters and Terminal Block

Models ATHE9ASP453NW29, ATHE9ASP455NN29, ATHE9ASP455NW29, PTHE9ASP455NG29, TTHE5ASP303NW36, TTPE5ASP303NW36, ZTHE9ASP455NN29 and ZTHE9ASP455NW29

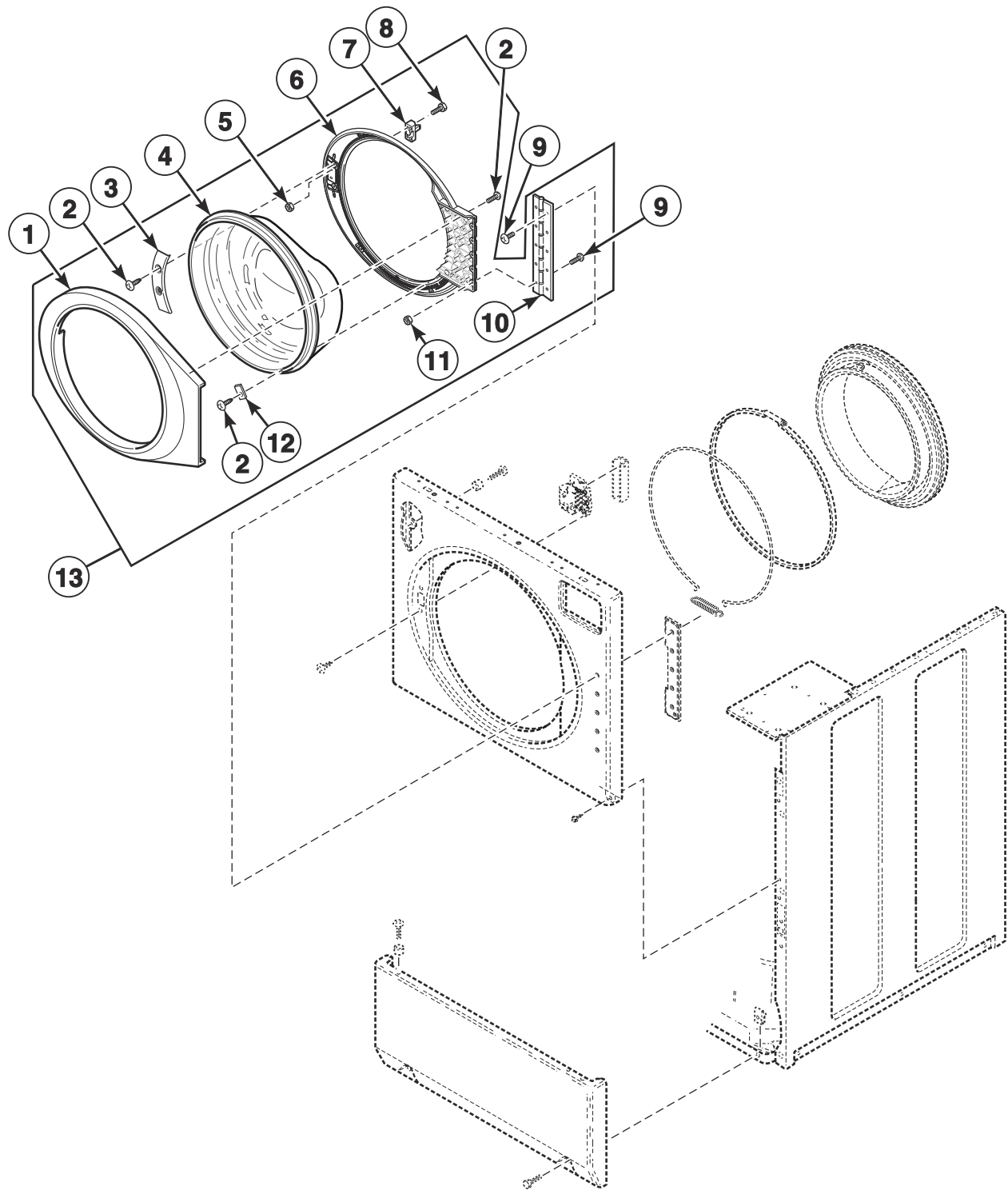


FLW1747P\_806105

## Electrical Access Panel, Filters and Terminal Block

| REF       | PART NO. | DESCRIPTION                  | COMMENTS                       |
|-----------|----------|------------------------------|--------------------------------|
|           | 804737   | Terminal Block Harness       |                                |
|           | 805356   | Heater Contactor Drip Shield |                                |
|           | 805344   | Terminal Block Drip Shield   |                                |
| <b>1</b>  | 806428   | Contactor                    | Through Serial No. 2012999999  |
|           | 807472   | Relay                        | Starting Serial No. 2101000001 |
| <b>2</b>  | 806431   | Heat Contactor Harness       | Through Serial No. 2012999999  |
|           | 807474   | Heat Contactor Harness       | Starting Serial No. 2101000001 |
| <b>3</b>  | D503661  | Screw                        |                                |
| <b>4</b>  | M402542  | Snap Bushing                 |                                |
| <b>5</b>  | 805634   | Filter                       |                                |
| <b>6</b>  | 29787    | Nut                          |                                |
| <b>7</b>  | 804651   | Network Varistor Assembly    |                                |
| <b>8</b>  | 804797   | Filter Harness               | Filter to main harness         |
| <b>9</b>  | 807473   | Line Filter                  |                                |
| <b>10</b> | 804609   | Terminal Block Panel         |                                |
| <b>11</b> | D505876  | Terminal Block Assembly      |                                |

# Door Assembly and Door Seal



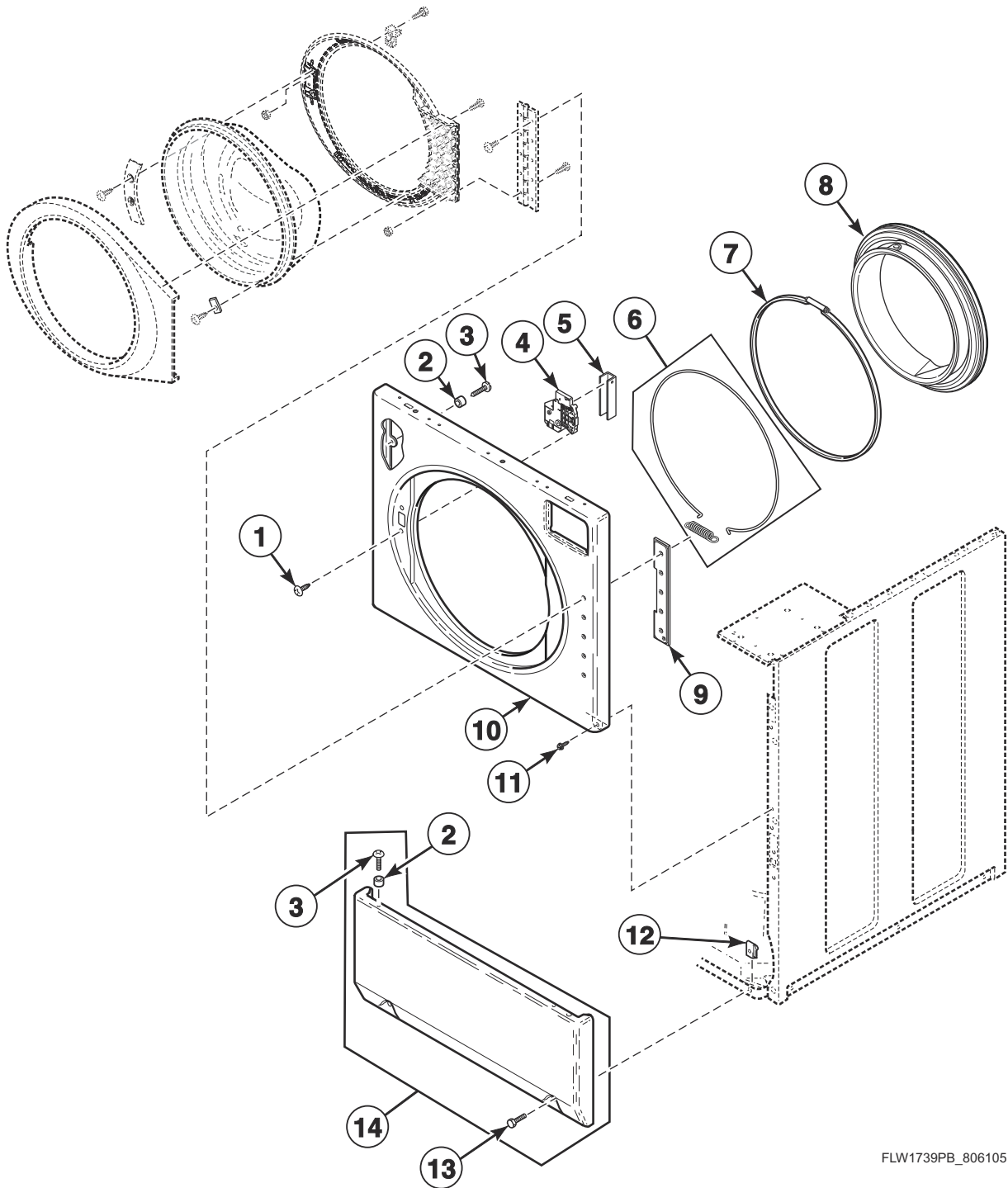
FLW1739P\_806105



## Door Assembly and Door Seal

| REF | PART NO. | DESCRIPTION               | COMMENTS                           |
|-----|----------|---------------------------|------------------------------------|
| 1   | 808094   | Outer Door Bezel Kit      | White                              |
|     | 808092   | Outer Door Bezel Kit      | Black                              |
|     | 808091   | Outer Door Bezel          | Gray                               |
| 2   | 800548   | Screw                     |                                    |
| 3   | 806354   | Door Glass Mounting Plate |                                    |
| 4   | 802695P  | Door Glass                |                                    |
| 5   | 685846   | Nut                       |                                    |
| 6   | 808095   | Inner Door Bezel Kit      | White                              |
|     | 808096   | Inner Door Bezel Kit      | Gray                               |
|     | 808097   | Inner Door Bezel          | Glass-filled polypropylene upgrade |
| 7   | 802803   | Door Catch Assembly       |                                    |
| 8   | 801993   | Screw                     |                                    |
| 9   | 801019   | Screw                     |                                    |
| 10  | 802934   | Door Hinge                |                                    |
| 11  | 23951    | Nut                       |                                    |
| 12  | 802700   | Glass Mounting Clip       | 7 required                         |
| 13  | 804083WP | Door Assembly             | White; Includes items 1-12         |
|     | 804210P  | Door Assembly             | Gray; Includes items 1-12          |
|     | 805550P  | Door Assembly             | Black; Includes items 1-12         |

# Front Panel



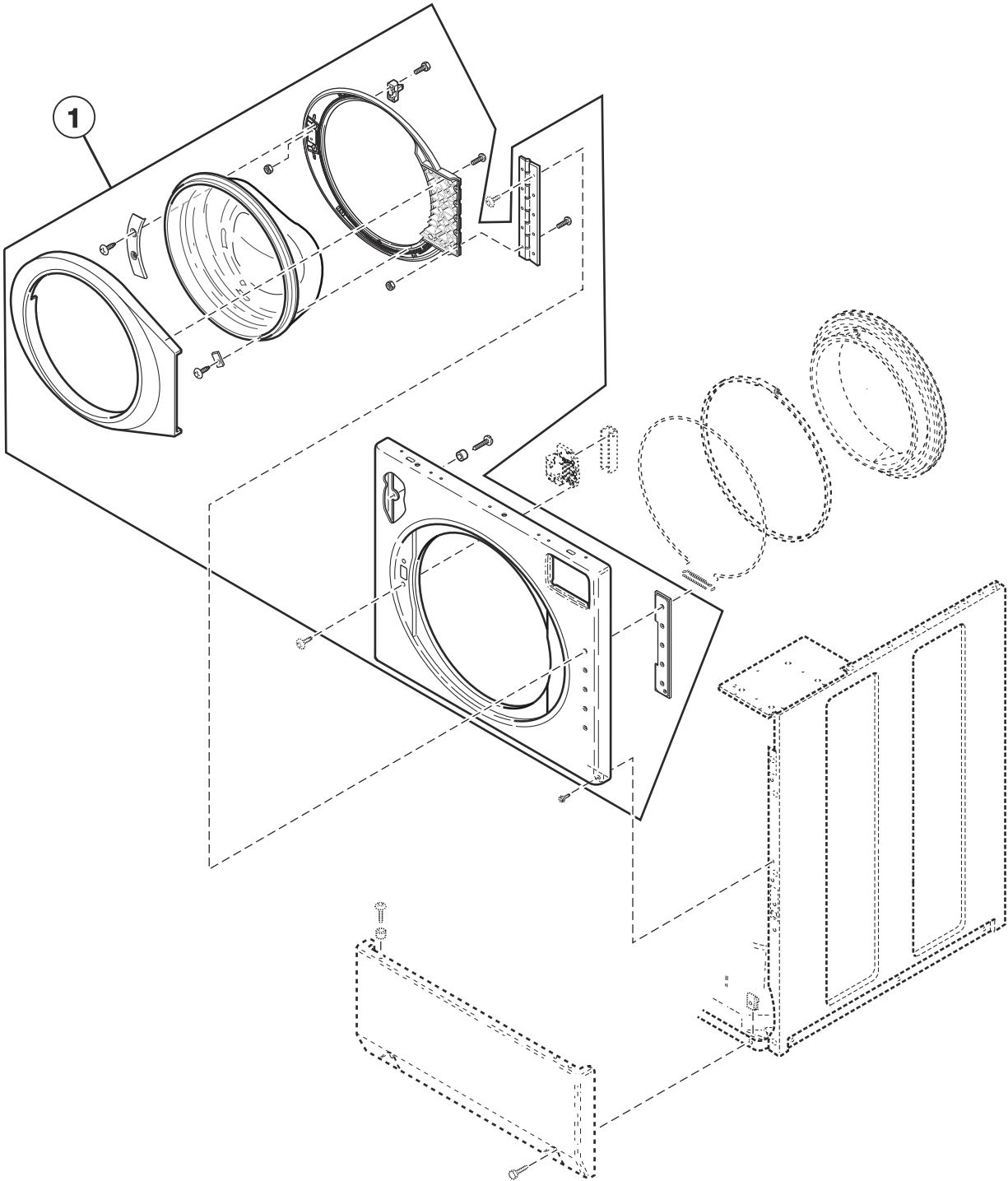
FLW1739PB\_806105

# Front Panel

| REF | PART NO.  | DESCRIPTION           | COMMENTS   |
|-----|-----------|-----------------------|--|
| 1   | 800548    | Screw                 |  |
| 2   | 56079     | Panel Locator         |  |
| 3   | 39733     | Screw                 | Use with painted panels  |
|     | 806276    | Screw                 | Use with stainless steel panels  |
| 4   | 803920    | Door Latch Assembly   |  |
| 5   | 804784    | Door Lock Drip Shield | Models ATEE9AGP435AW01, ATEE9ASP133DN04, ATEE9ASP133DW04, ATEE9ASP433XW34, ATEE9ASP435XW34, ATEE9ASP453LW26, ATEE9ASP455LN01, ATEE9ASP455LW01, ATEE9ASP543DN04, ATEE9ASP543DW04, ATEE9ASP545DW04, ATEE9ASP565XW01, ATEE9AWP433AW01, ATEE9AWP435AW01, ATGE9AGP305AW01, ATGE9ASP123DN04, ATGE9ASP123DW04, ATGE9ASP125DW04, ATGE9ASP303XW01, ATGE9ASP303XW26, ATGE9ASP305XW01, ATGE9ASP543DN04, ATGE9ASP543DW04, ATGE9ASP545DW04, ATGE9AWP303AW01, ATGE9AWP305AW01, ATHE9ASP453NW29, ATHE9ASP455NN29, ATHE9ASP455NW29, ATLE9ASP305LW01, FTEE5ASP303NW10, FTEE5ASP303ZW01, FTEE5ASP433LW01, LTEE5AGP133ZW30, LTEE5ASP133FW01, LTEE5ASP135MW01, LTEE5ASP303WW01, LTEE5ASP303WW37, LTEE5ASP303ZW01, LTEE5ASP433AW01, LTEE5ASP433AW12, LTEE5ASP453VW26, LTEE5ASP543NW23, LTEE5ASP543RW01, LTEE5ASP553KW01, LTGE5ASP113FW01, LTGE5ASP113JW01, LTGE5ASP125MW01, LTGE5ASP303AW01, LTGE5ASP303AW12, LTLE5ASP303LW01, LTME5ASP543KW01, PTEE3FSP433AG01, PTGE3FSP303AG01, PTHE9ASP455NG29, YTEE5ASP133FW01, YTEE5ASP303NW10, YTGE5ASP113FW01, ZTHE9ASP455NN29 and ZTHE9ASP455NW29 |
| 6   | 806466    | Wire Ring and Spring  |  |
| 7   | 802281    | Hose Clamp            | Seal to outer tub front  |
| 8   | 804428P   | Door Seal             | Black  |
|     | 804429P   | Door Seal Assembly    | Gray   |
| 9   | 802206    | Hinge Plate           |  |
| 10  | 802277WP  | Front Panel           | White  |
|     | 802277DGP | Front Panel           | Gray   |
|     | 802288P   | Front Panel           | Stainless steel  |
| 11  | D503661   | Screw                 |  |
| 12  | 36020     | Nut                   |  |
| 13  | 801045    | Screw                 | Use with painted panels  |
|     | D512921   | Screw                 | Use with stainless steel panels  |
| 14  | D514250WP | Access Panel Assembly | White  |
|     | D514250DG | Access Panel Assembly | Gray   |
|     | 806528    | Access Panel Assembly | Stainless steel; Model ATEE9ASP455LN01   |
|     | D514251   | Access Panel Assembly | Stainless steel; All other models  |

# Front Panel Assembly

Models BTEE6ASP173TW01, BTGE6ASP113TW01, LTEA5FSP153TW01, LTEA5FSP153TW04, LTEA5FSP173TW01, LTEA5FSP173TW04, LTEE5ASP135MW01, LTEE5ASP153TW01, LTEE5ASP155TW01, LTEE5ASP173TW01, LTEE5ASP175TW01, LTEE5FSP175TW01, LTEE5FSP275TW01, LTGA5FSP113TW01, LTGE5ASP113TW01, LTGE5ASP115TW01, LTGE5ASP125MW01, LTGE5FSP115TW01, PTEE3FSP173TG01, PTEE3FSP175TG01, PTEE3FSP175TW01, PTGE3FSP113TG01, PTGE3FSP115TG01, PTGE3FSP115TW01, UTEE5ASP173TW01, UTEE5ASP173TW08, UTEE5ASP175TW01, UTEE5ASP175TW08, UTGE5ASP113TW01, UTGE5ASP113TW08, UTGE5ASP115TW01, UTGE5ASP115TW08, YTEE5ASP173TW01, YTEE5ASP175TW01, YTGE5ASP113TW01 and YTGE5ASP115TW01

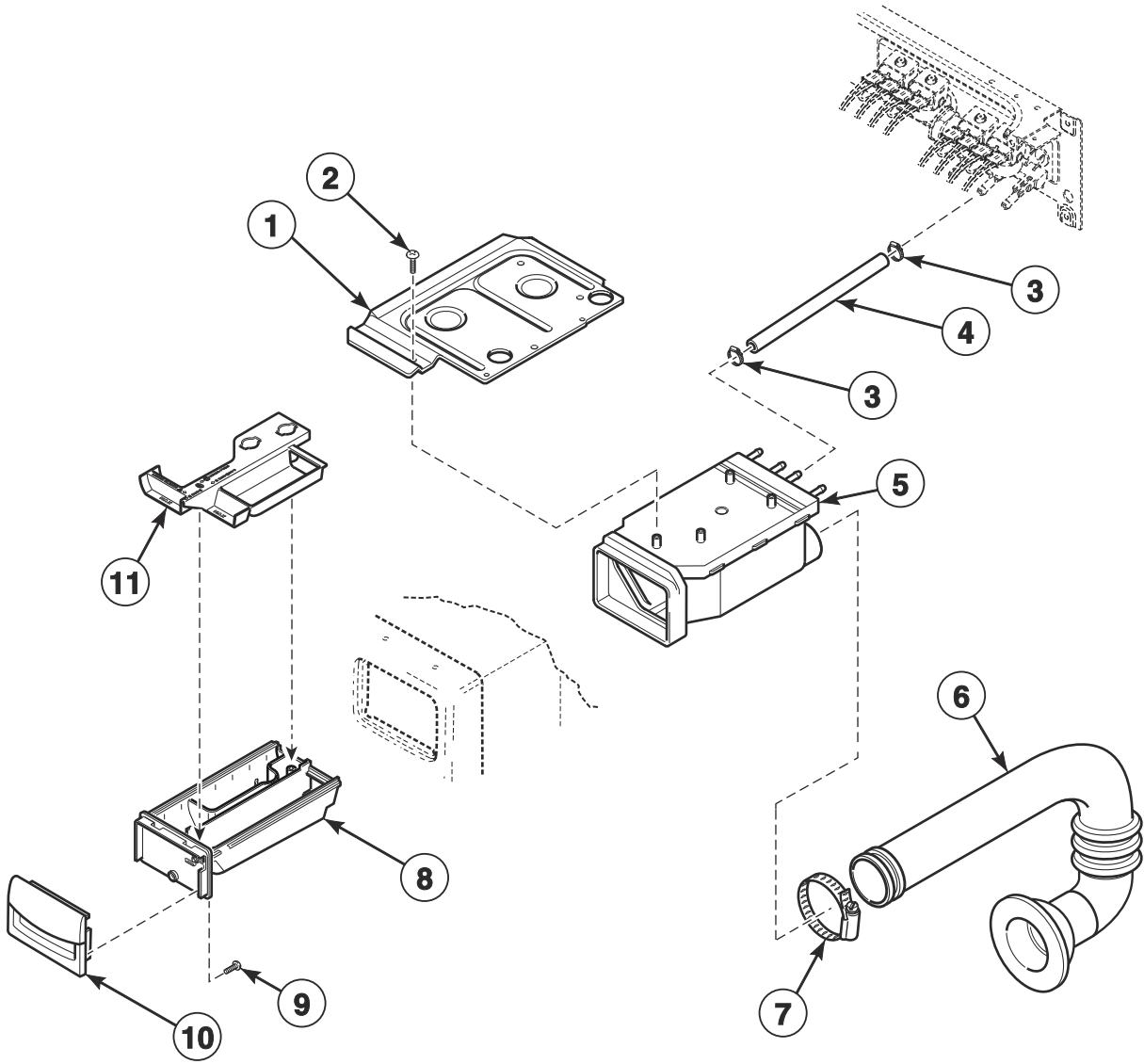


FLW1739PA\_806105

# Front Panel Assembly

| REF | PART NO. | DESCRIPTION              | COMMENTS        |
|-----|----------|--------------------------|-----------------|
| 1   | 806505W  | Front Panel Assembly Kit | White           |
|     | 806560   | Front Panel Assembly Kit | Stainless steel |

# Dispenser Assembly

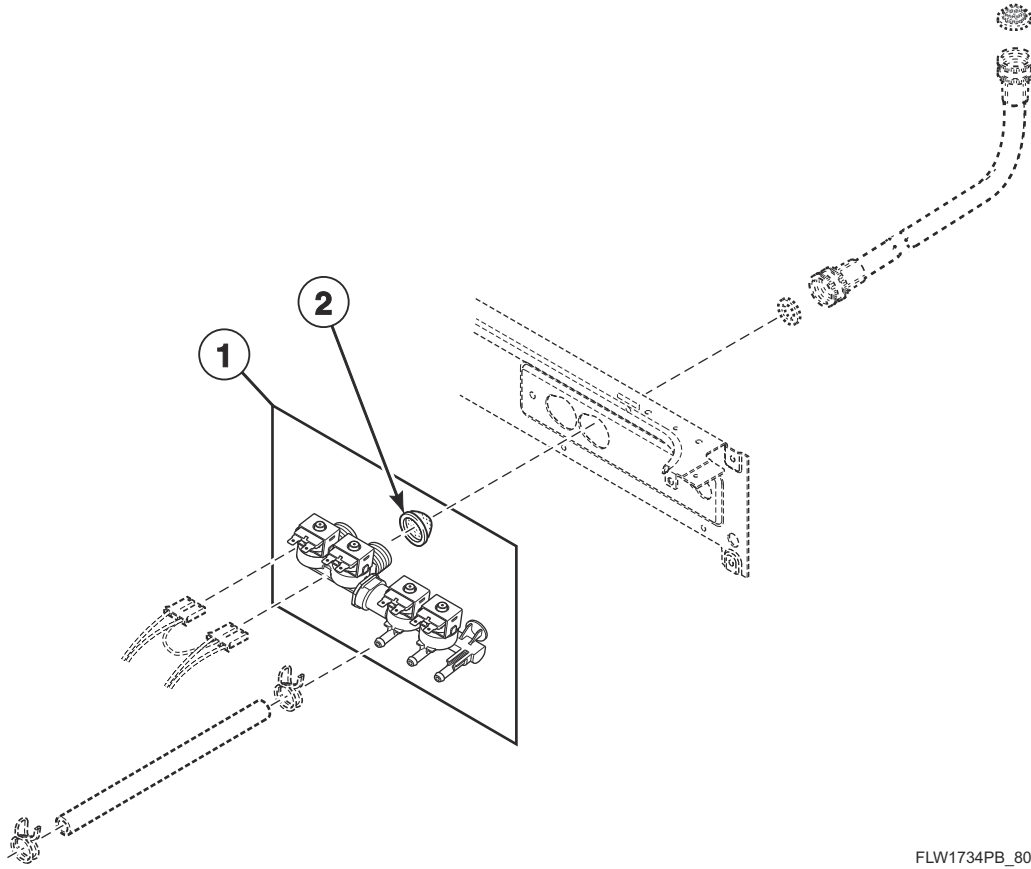


FLW1717P\_806105

# Dispenser Assembly

| REF       | PART NO. | DESCRIPTION                       | COMMENTS  |
|-----------|----------|-----------------------------------|---|
|           | 804875   | Foam Pad                          |   |
|           | 808076   | Chemical Injection Conversion Kit | Includes 110 Volt/24 Volt transformer   |
|           | 808077   | Chemical Injection Conversion Kit | Includes 220 Volt/24 Volt transformer   |
| <b>1</b>  | 803843   | Dispenser Plate                   |   |
| <b>2</b>  | 801001   | Screw                             |   |
| <b>3</b>  | 807386   | Hose Clamp                        |   |
| <b>4</b>  | 807364   | Dispenser Inlet Hose              | Models LTEE5ASP433AW01, LTEE5ASP433AW12, LTGE5ASP303AW01, LTGE5ASP303AW12, PTEE3FSP433AG01 and PTGE3FSP303AG01 starting Serial No.1810000001 and continuing through Serial No. 1905000001; All other models starting Serial No.1810000001 |
|           | 806718   | Dispenser Inlet Hose              | Models LTEE5ASP433AW01, LTEE5ASP433AW12, LTGE5ASP303AW01, LTGE5ASP303AW12, PTEE3FSP433AG01 and PTGE3FSP303AG01 starting Serial No.1905000001  |
|           | 803849   | Dispenser Inlet Hose              | Through Serial No.1810000001  |
| <b>5</b>  | 803698   | Dispenser Assembly                |   |
| <b>6</b>  | 804717   | Detergent Hose                    |   |
| <b>7</b>  | 685725   | Hose Clamp                        |   |
| <b>8</b>  | 803667   | Dispenser Drawer                  |   |
| <b>9</b>  | 800548   | Screw                             |   |
| <b>10</b> | 804227WP | Dispenser Handle                  | White   |
|           | 804227B  | Dispenser Handle                  | Black   |
|           | 804228   | Dispenser Handle                  | Gray  |
| <b>11</b> | 803669   | Compartment Cover                 |   |

# Mixing Valve



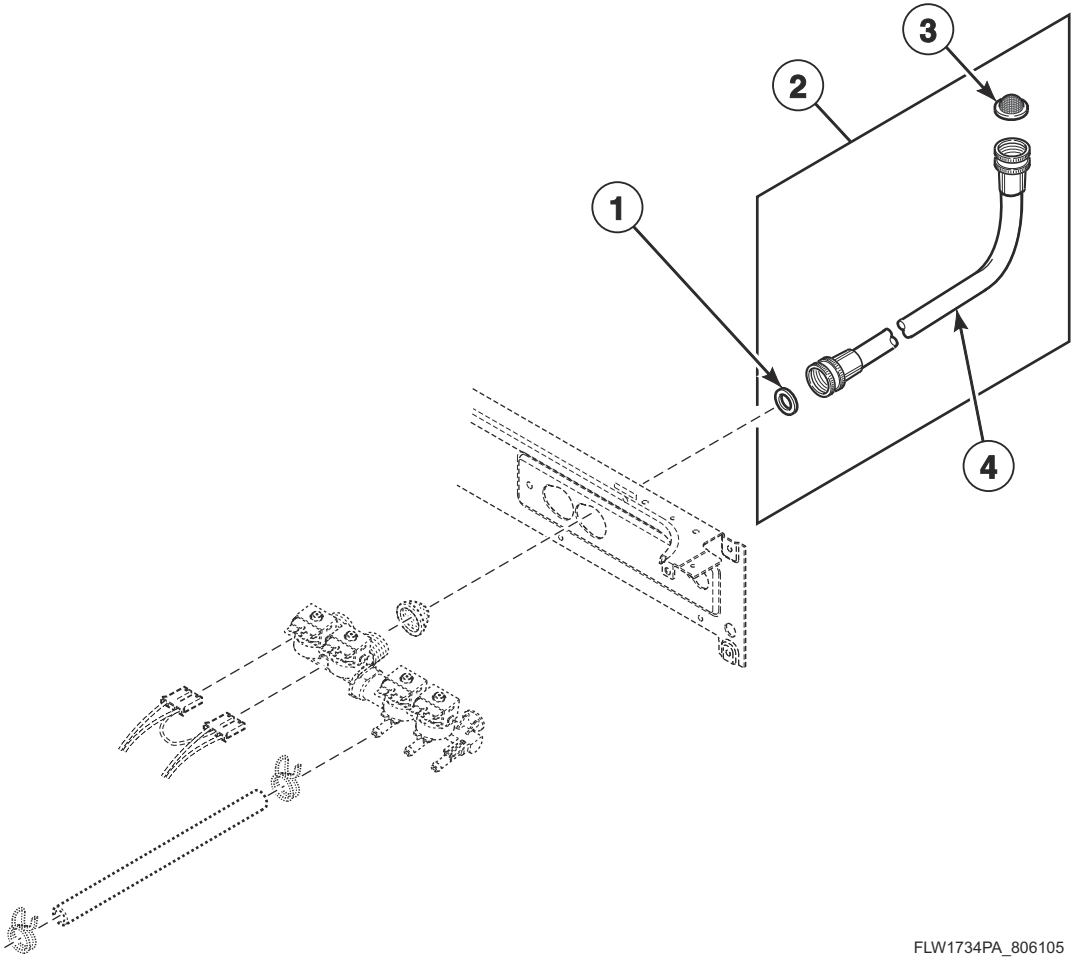
FLW1734PB\_806105



# Mixing Valve

| REF | PART NO. | DESCRIPTION         | COMMENTS  |
|-----|----------|---------------------|---|
| 1   | 807838P  | Mixing Valve        | Models ATEE9AGP435AW01, ATEE9ASG453NW36, ATEE9ASG455NW36, ATEE9ASP433XW34, ATEE9ASP435XW34, ATEE9ASP453LW26, ATEE9ASP455LN01, ATEE9ASP455LW01, ATEE9ASP543DN04, ATEE9ASP543DW04, ATEE9ASP545DW04, ATEE9ASP565XW01, ATEE9AWP433AW01, ATEE9AWP435AW01, ATGE9AGP305AW01, ATGE9ASP303XW01, ATGE9ASP303XW26, ATGE9ASP305XW01, ATGE9ASP543DN04, ATGE9ASP543DW04, ATGE9ASP545DW04, ATGE9AWP303AW01, ATGE9AWP305AW01, ATHE9ASP453NW29, ATHE9ASP455NN29, ATHE9ASP455NW29, ATLE9ASP305LW01, FTEE5ASP303NW10, FTEE5ASP303ZW01, FTEE5ASP433LW01, FTGE5ASP303NW10, LTEE5ASP303WW01, LTEE5ASP303WW37, LTEE5ASP303ZW01, LTEE5ASP333NW01, LTEE5ASP433AW01, LTEE5ASP433AW12, LTEE5ASP453VW26, LTEE5ASP543NW01, LTEE5ASP543NW23, LTEE5ASP543RW01, LTEE5ASP553KW01, LTGE5ASP303AW01, LTGE5ASP303AW12, LTLE5ASP303LW01, LTLE5ASP303NW35, LTLE5ASP543NW23, LTME5ASP543KW01, PTEE3FSP433AG01, PTGE3FSP303AG01, PTHE9ASP455NG29, TTHE5ASP303NW36, TTPE5ASP303NW36, YTEE5ASP303NW10, YTGE5ASP303NW21, ZTHE9ASP455NN29 and ZTHE9ASP455NW29 through Serial No. 1810000001; GHT connection   |
|     | 807497P  | Mixing Valve        | Models ATEE9AGP435AW01, ATEE9ASG453NW36, ATEE9ASG455NW36, ATEE9ASP433XW34, ATEE9ASP435XW34, ATEE9ASP453LW26, ATEE9ASP455LN01, ATEE9ASP455LW01, ATEE9ASP543DN04, ATEE9ASP543DW04, ATEE9ASP545DW04, ATEE9ASP565XW01, ATEE9AWP433AW01, ATEE9AWP435AW01, ATGE9AGP305AW01, ATGE9ASP303XW01, ATGE9ASP303XW26, ATGE9ASP305XW01, ATGE9ASP543DN04, ATGE9ASP543DW04, ATGE9ASP545DW04, ATGE9AWP303AW01, ATGE9AWP305AW01, ATHE9ASP453NW29, ATHE9ASP455NN29, ATHE9ASP455NW29, ATLE9ASP305LW01, FTEE5ASP303NW10, FTEE5ASP303ZW01, FTEE5ASP433LW01, FTGE5ASP303NW10, LTEE5ASP303WW01, LTEE5ASP303WW37, LTEE5ASP303ZW01, LTEE5ASP333NW01, LTEE5ASP433AW01, LTEE5ASP433AW12, LTEE5ASP453VW26, LTEE5ASP543NW01, LTEE5ASP543NW23, LTEE5ASP543RW01, LTEE5ASP553KW01, LTGE5ASP303AW01, LTGE5ASP303AW12, LTLE5ASP303LW01, LTLE5ASP303NW35, LTLE5ASP543NW23, LTME5ASP543KW01, PTEE3FSP433AG01, PTGE3FSP303AG01, PTHE9ASP455NG29, TTHE5ASP303NW36, TTPE5ASP303NW36, YTEE5ASP303NW10, YTGE5ASP303NW21, ZTHE9ASP455NN29 and ZTHE9ASP455NW29 starting Serial No. 1810000001; BSPP connection |
|     | 806611P  | Mixing Valve        | Models LTEE5AGP133ZW30 and LTGE5ASP113JW01; BSPP connection   |
|     | 807837P  | Mixing Valve        | All other models; GHT connection  |
| 2   | 24122    | Mixing Valve Screen | Steel mesh  |
|     | F8161201 | Mixing Valve Screen | Plastic   |

# Fill Hose

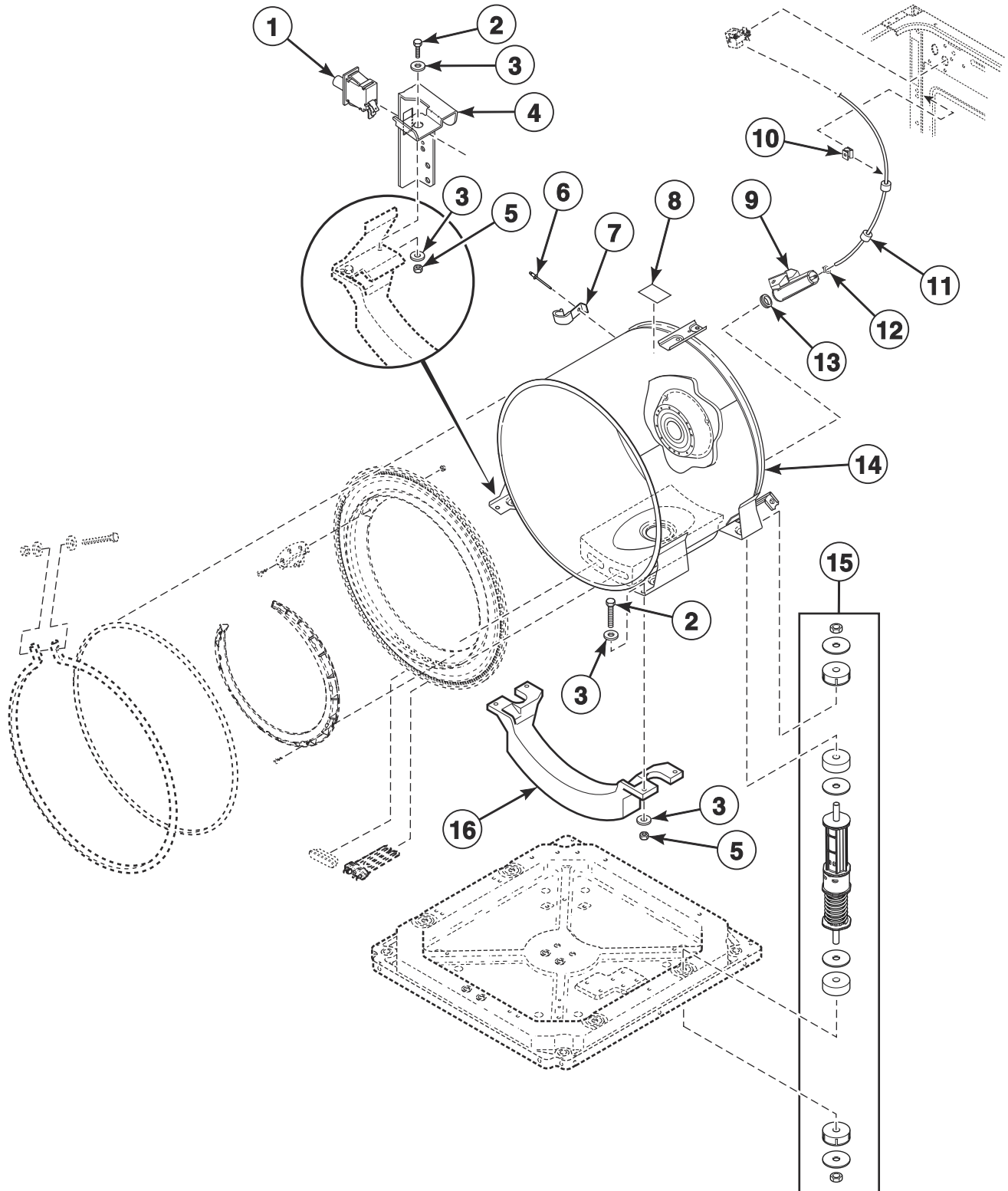


FLW1734PA\_806105

## Fill Hose

| REF      | PART NO. | DESCRIPTION         | COMMENTS  |
|----------|----------|---------------------|---|
|          | 804783   | Mixing Valve Shield | Models ATEE9AGP435AW01, ATEE9ASP133DN04, ATEE9ASP133DW04, ATEE9ASP433XW34, ATEE9ASP435XW34, ATEE9ASP453LW26, ATEE9ASP455LN01, ATEE9ASP455LW01, ATEE9ASP543DN04, ATEE9ASP543DW04, ATEE9ASP545DW04, ATEE9ASP565XW01, ATEE9AWP433AW01, ATEE9AWP435AW01, ATGE9AGP305AW01, ATGE9ASP123DN04, ATGE9ASP123DW04, ATGE9ASP125DW04, ATGE9ASP303XW01, ATGE9ASP303XW26, ATGE9ASP305XW01, ATGE9ASP543DN04, ATGE9ASP543DW04, ATGE9ASP545DW04, ATGE9AWP303AW01, ATGE9AWP305AW01, ATHE9ASP453NW29, ATHE9ASP455NN29, ATHE9ASP455NW29, ATLE9ASP305LW01, FTEE5ASP303ZW01, FTEE5ASP433LW01, LTEE5AGP133ZW30, LTEE5ASP133FW01, LTEE5ASP135MW01, LTEE5ASP303WW01, LTEE5ASP303WW37, LTEE5ASP303ZW01, LTEE5ASP433AW01, LTEE5ASP433AW12, LTEE5ASP453VW26, LTEE5ASP543RW01, LTEE5ASP553KW01, LTGE5ASP113FW01, LTGE5ASP113JW01, LTGE5ASP125MW01, LTGE5ASP303AW01, LTGE5ASP303AW12, LTLE5ASP303LW01, LTME5ASP543KW01, PTEE3FSP433AG01, PTGE3FSP303AG01, PTHE9ASP455NG29, TTPE5ASP303NW36, YTEE5ASP133FW01, YTGE5ASP113FW01, YTGE5ASP303NW21, ZTHE9ASP455NN29 and ZTHE9ASP455NW29 |
| <b>1</b> | 803615   | Washer              | Filter screen   |
|          | 802254   | Washer              | Flow restrictor; Water pressure reducer; Available for water pressure up to but not exceeding 120 psi   |
| <b>2</b> | 203720   | Fill Hose           | Marked for cold water; 4 feet; 2 GHT hose couplings   |
|          | 203719   | Fill Hose           | Marked for hot water; 4 feet; 2 GHT hose couplings  |
|          | 203750   | Fill Hose           | Marked for cold water; 4 feet; 1 BSPP thread hose coupling and 1 GHT hose coupling  |
|          | 203718   | Fill Hose           | Marked for hot water; 4 feet; 1 BSPP thread hose coupling and 1 GHT hose coupling   |
|          | 204103   | Fill Hose           | Marked for cold water; 4 feet; 2 BSPP thread hose couplings   |
|          | 204102   | Fill Hose           | Marked for hot water; 4 feet; 2 BSPP thread hose couplings  |
|          | 204108   | Fill Hose           | Marked for hot water; 10 feet; 2 BSPP thread hose coupling  |
| <b>3</b> | 20290    | Washer              |   |

# Outer Tub, Front and Clamp Ring (Drawing 1 of 2)

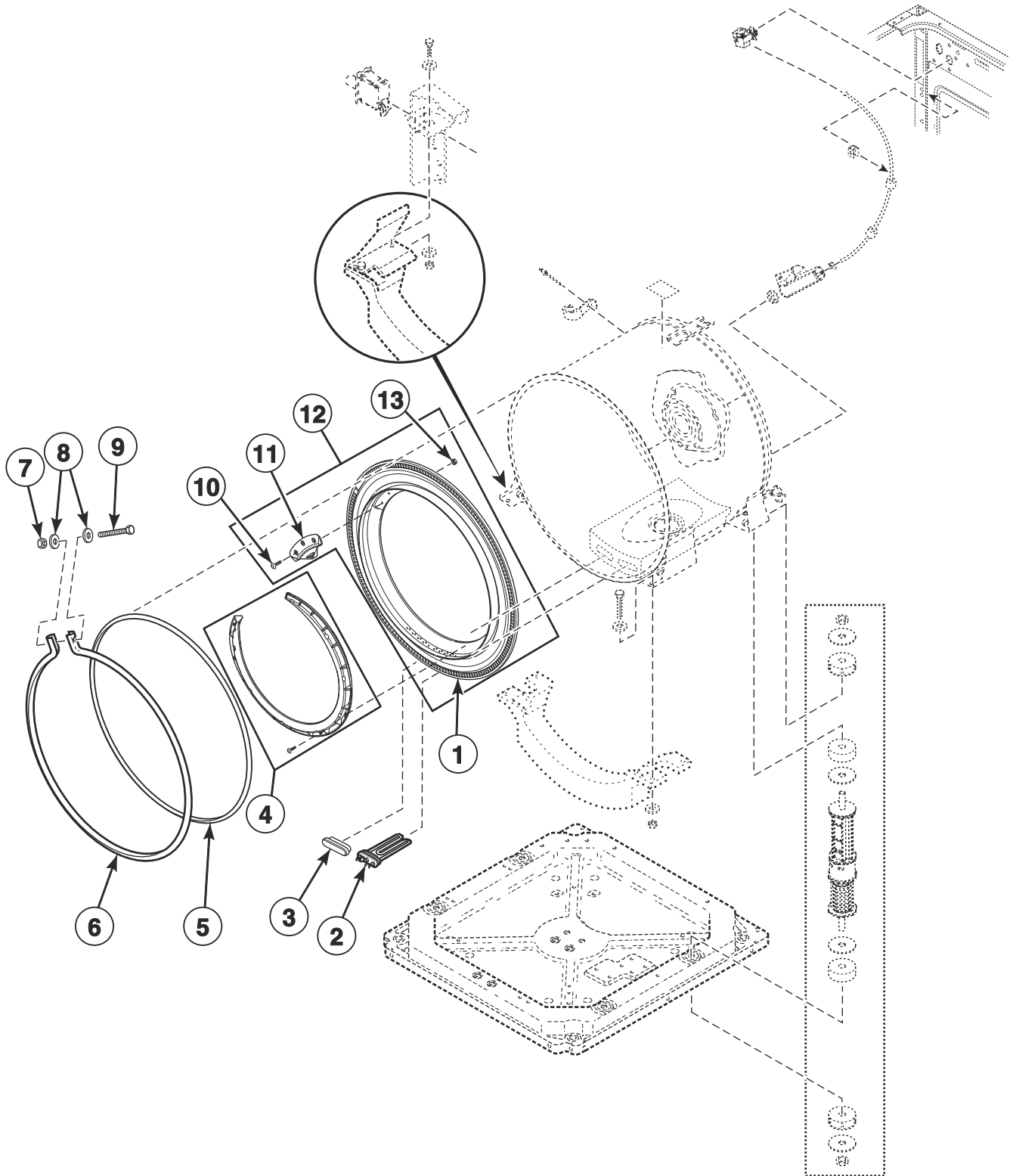


FLW1806P\_806105

## Outer Tub, Front and Clamp Ring (Drawing 1 of 2)

| REF | PART NO. | DESCRIPTION                    | COMMENTS  |
|-----|----------|--------------------------------|---|
| 1   | 803415   | Out-of-Balance Switch Assembly | Through Serial No. 2012999999   |
|     | 807384   | Out-of-Balance Switch Assembly | Starting Serial No. 2101000001  |
| 2   | 800461   | Screw                          |   |
| 3   | 804458   | Washer                         |   |
| 4   | 804457   | Out-of-Balance Switch Bracket  | Through Serial No. 2012999999   |
|     | 807280   | Out-of-Balance Switch Bracket  | Starting Serial No. 2101000001  |
| 5   | 800452   | Nut                            |   |
| 6   | 685847   | Pop Rivet                      |   |
| 7   | 800553   | Hose Clip                      |   |
| 8   | D500049  | Warning Label                  |   |
| 9   | 808013   | Pressure Bulb                  |   |
| 10  | 36985    | Hose Clip                      |   |
| 11  | 804769   | Pressure Sensor Tube Assembly  | Models ATHE9ASP453NW29, ATHE9ASP455NN29, ATHE9ASP455NW29, PTHE9ASP455NG29, TTHE5ASP303NW36, TTPE5ASP303NW36, ZTHE9ASP455NN29 and ZTHE9ASP455NW29  |
|     | 804483   | Pressure Sensor Tube Assembly  | All other models  |
| 12  | 803891   | Hose Clamp                     |   |
| 13  | 29175    | Grommet                        |   |
| 14  | 803865   | Outer Tub Assembly             | Models ATHE9ASP453NW29, ATHE9ASP455NN29, ATHE9ASP455NW29, PTHE9ASP455NG29, TTHE5ASP303NW36, TTPE5ASP303NW36, ZTHE9ASP455NN29 and ZTHE9ASP455NW29; Through Serial No. 1910999999 except Serial Nos. 1908066087 to 1909000879             |
|     | 803864   | Outer Tub Assembly             | All other models; Through Serial No. 1910999999 except Serial Nos. 1908066087 to 1909000879   |
|     | 807619   | Outer Tub Assembly             | Models ATHE9ASP453NW29, ATHE9ASP455NN29, ATHE9ASP455NW29, PTHE9ASP455NG29, TTHE5ASP303NW36, TTPE5ASP303NW36, ZTHE9ASP455NN29 and ZTHE9ASP455NW29; Serial Nos. 1908066087 to 1909000879 and starting Serial No. 1911000001 to 2010999999 |
|     | 807618   | Outer Tub Assembly             | All other models; Serial Nos. 1908066087 to 1909000879 and starting Serial No. 1911000001 to 2010999999   |
|     | 807480   | Outer Tub Assembly             | Models ATHE9ASP453NW29, ATHE9ASP455NN29, ATHE9ASP455NW29, PTHE9ASP455NG29, TTHE5ASP303NW36, TTPE5ASP303NW36, ZTHE9ASP455NN29 and ZTHE9ASP455NW29; Starting Serial No. 2011000001  |
|     | 807479   | Outer Tub Assembly             | All other models; Starting Serial No. 2011000001  |
| 15  | 803777P  | Shock Assembly                 | Must replace all 4  |
| 16  | 807476   | Counterweight                  |   |

# Outer Tub, Front and Clamp Ring (Drawing 2 of 2)

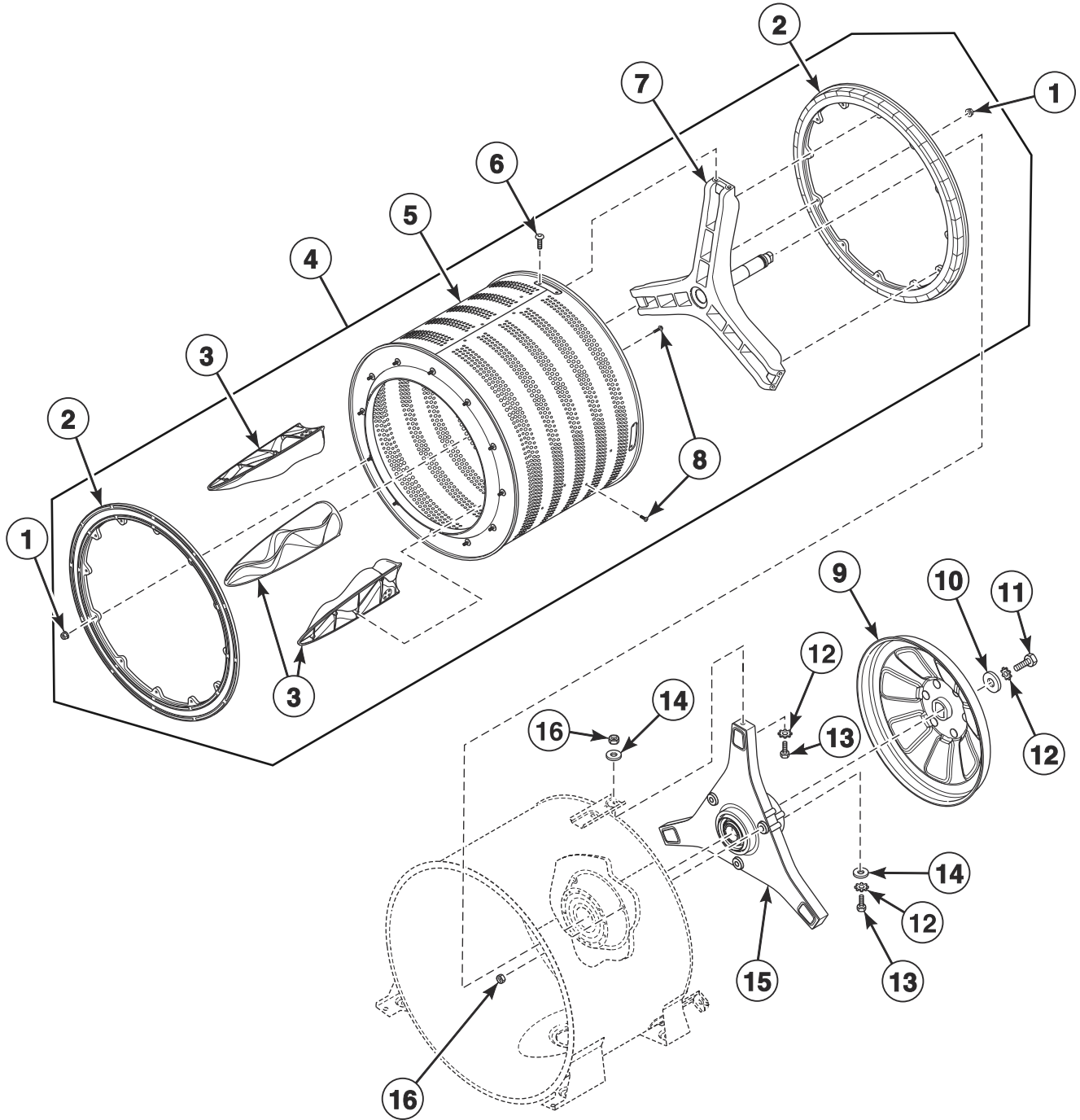


FLW1806PA\_806105

## Outer Tub, Front and Clamp Ring (Drawing 2 of 2)

| REF | PART NO. | DESCRIPTION              | COMMENTS  |
|-----|----------|--------------------------|---|
| 1   | 803770   | Tub Front                |   |
| 2   | 806090   | Heating Element          | Includes thermistor; Models ATHE9ASP453NW29, ATHE9ASP455NN29, ATHE9ASP455NW29, PTHE9ASP455NG29, TTPE5ASP303NW36, TTPE5ASP303NW36, ZTHE9ASP455NN29 and ZTHE9ASP455NW29 |
| 3   | F360202  | Heating Element Plug     | Models ATHE9ASP453NW29, ATHE9ASP455NN29, ATHE9ASP455NW29, PTHE9ASP455NG29, TTPE5ASP303NW36, TTPE5ASP303NW36, ZTHE9ASP455NN29 and ZTHE9ASP455NW29                      |
| 4   | 806308   | Foreign Object Deflector | Black; Includes screws  |
|     | 806313   | Foreign Object Deflector | Gray; Includes screws   |
|     | 806361   | Foreign Object Deflector | Tall; Gray; Includes screws   |
| 5   | 803801   | Tub Front Seal           |   |
| 6   | 803802   | Clamp Ring               |   |
| 7   | F430218  | Nut                      |   |
| 8   | M400081  | Washer                   |   |
| 9   | 800462   | Screw                    |   |
| 10  | 802596   | Screw                    |   |
| 11  | 804467   | Clothes Guard Deflector  |   |
|     | 805548   | Clothes Guard Deflector  | Heavy duty  |
| 12  | 803879   | Tub Front Assembly       | Includes items 1, 8, 9 and 11   |
| 13  | 802343   | Nut                      |   |

# Inner Basket, Trunnion, Bearing Housing and Pulley



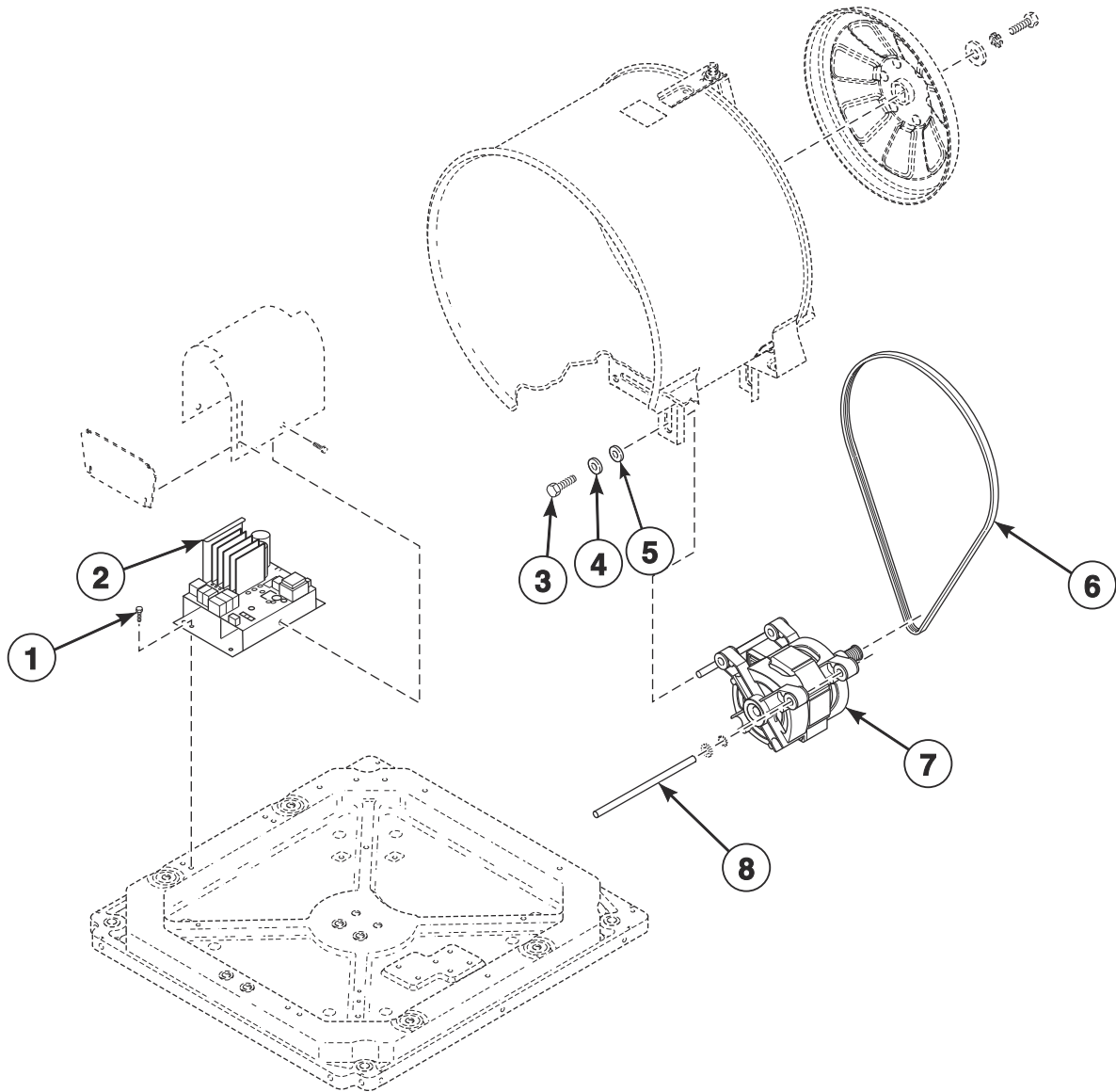
FLW1803P\_806105



## Inner Basket, Trunnion, Bearing Housing and Pulley

| REF       | PART NO. | DESCRIPTION               | COMMENTS   |
|-----------|----------|---------------------------|--|
|           | 27604P   | Anti-Seize Compound       | Pulley to inner basket shaft   |
|           | 805730   | Bearing Kit               |  |
| <b>1</b>  | 804418   | Nut                       |  |
| <b>2</b>  | 804393   | Balance Ring Assembly     |  |
| <b>3</b>  | 804382   | Lifter                    |  |
| <b>4</b>  | 805485   | Inner Basket Assembly     | Includes items 1-3 and 5-8; Models LTEE5ASP433AW12 and LTGE5ASP303AW12 |
|           | 804376P  | Inner Basket Assembly Kit | Includes items 1-3 and 5-8; All other models                           |
| <b>5</b>  | 804374P  | Inner Basket Assembly     |  |
| <b>6</b>  | 804699   | Screw                     |  |
| <b>7</b>  | 806831   | Trunnion Kit              | Models LTEE5ASP433AW12 and LTGE5ASP303AW12; Includes hardware and tool |
|           | 808043   | Trunnion Shaft Kit        | All other models; Includes hardware and tool                           |
| <b>8</b>  | 800548   | Screw                     |  |
| <b>9</b>  | 808197   | Pulley Assembly           |  |
| <b>10</b> | 807679   | Washer                    |  |
| <b>11</b> | 685831   | Screw                     | Left hand thread   |
| <b>12</b> | M403958  | Washer                    | Used through Serial No. 1609046805                                     |
| <b>13</b> | M400043  | Screw                     |  |
| <b>14</b> | 800457   | Washer                    |  |
| <b>15</b> | 805525   | Bearing Housing Kit       | Includes hardware and tool   |
| <b>16</b> | 800452   | Nut                       |  |

# Motor and Belt (Drawing 1 of 2)

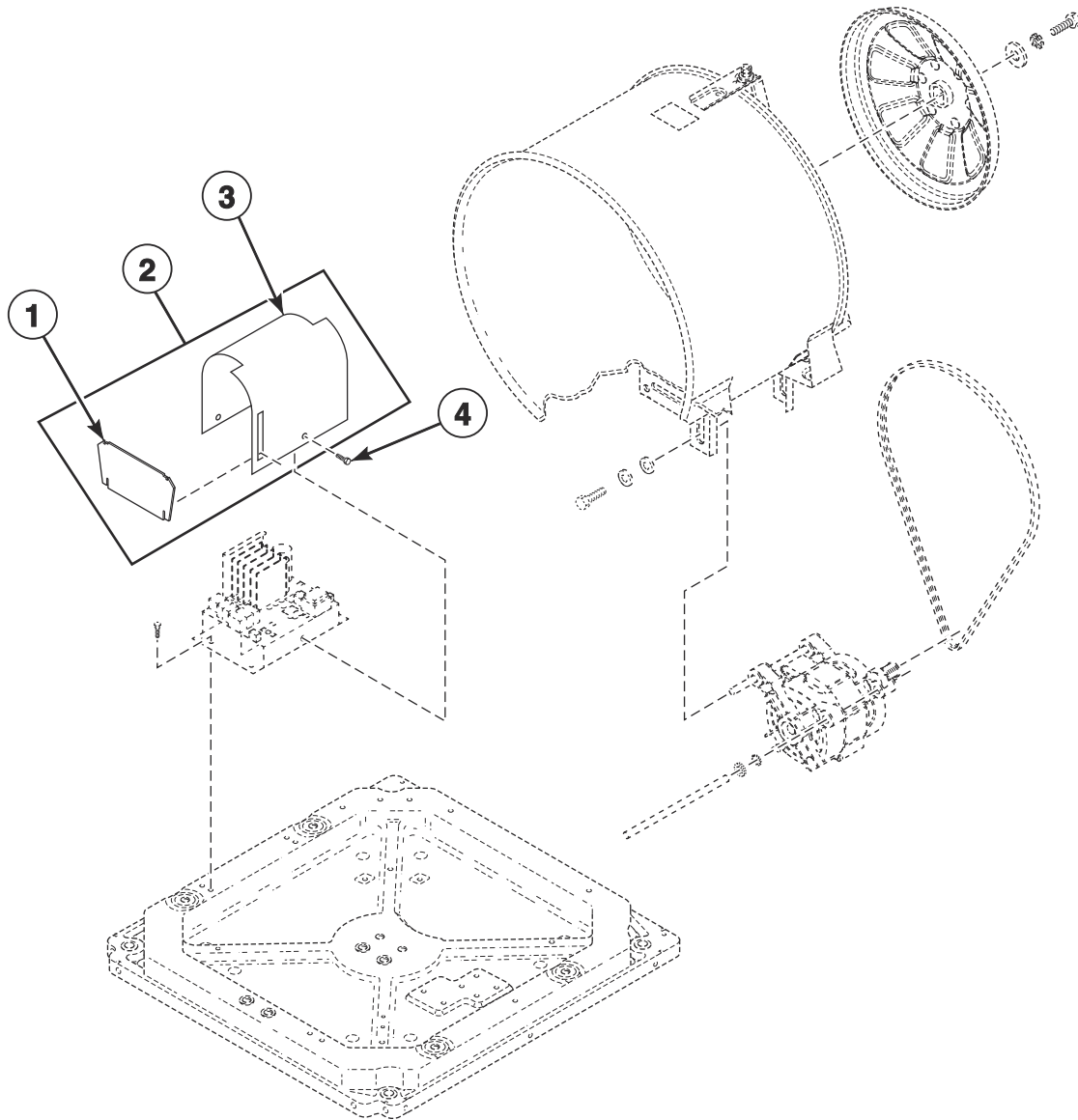


FLW1794PA\_806105

## Motor and Belt (Drawing 1 of 2)

| REF      | PART NO. | DESCRIPTION                | COMMENTS   |
|----------|----------|----------------------------|--|
|          | 807441   | Control Bracket            | Starting Serial No. 2101000001   |
|          | F8206901 | Screw                      | Starting Serial No. 2101000001; Use with 807441 Control Bracket  |
| <b>1</b> | D503661  | Screw                      | Through Serial No. 2012999999  |
| <b>2</b> | 807175P  | Inverter Control Assembly  | Through Serial No. 2012999999  |
|          | 808149   | Output Control Assembly    | 120 Volt; Without filter; Starting Serial No. 2101000001   |
|          | 808150   | Output Control Assembly    | 240 Volt; With filter; Starting Serial No. 2101000001  |
| <b>3</b> | M400057  | Screw                      | Through Serial No. 2010999999  |
|          | 02916    | Screw                      | Starting Serial No. 2011000001   |
| <b>4</b> | 02834    | Washer                     | Through Serial No. 2010999999  |
| <b>5</b> | M400080  | Washer                     | Through Serial No. 2010999999  |
| <b>6</b> | 804985   | Drive Belt                 | Through Serial No. 1910999999 except Serial Nos. 1908066087 to 1909000879                                  |
|          | 807429P  | Belt Kit                   | Serial Nos. 1908066087 to 1909000879 and starting Serial No. 1911000001; Requires 807623 Belt Install Tool |
| <b>7</b> | 805726P  | Motor and Rod Assembly Kit | Includes item 8; Through Serial No. 2010071306   |
|          | 808034P  | Motor and Rod Assembly Kit | Includes item 8; Starting Serial No. 2010071307 through Serial No. 2012999999                              |
|          | 808067P  | Motor and Rod Assembly Kit | Includes item 8; Starting Serial No. 2100000000  |
| <b>8</b> | 803861   | Motor Rod                  | Through Serial No. 2010999999  |
|          | 807739   | Motor Rod                  | Starting Serial No. 2011000001   |

## Motor and Belt (Drawing 2 of 2)



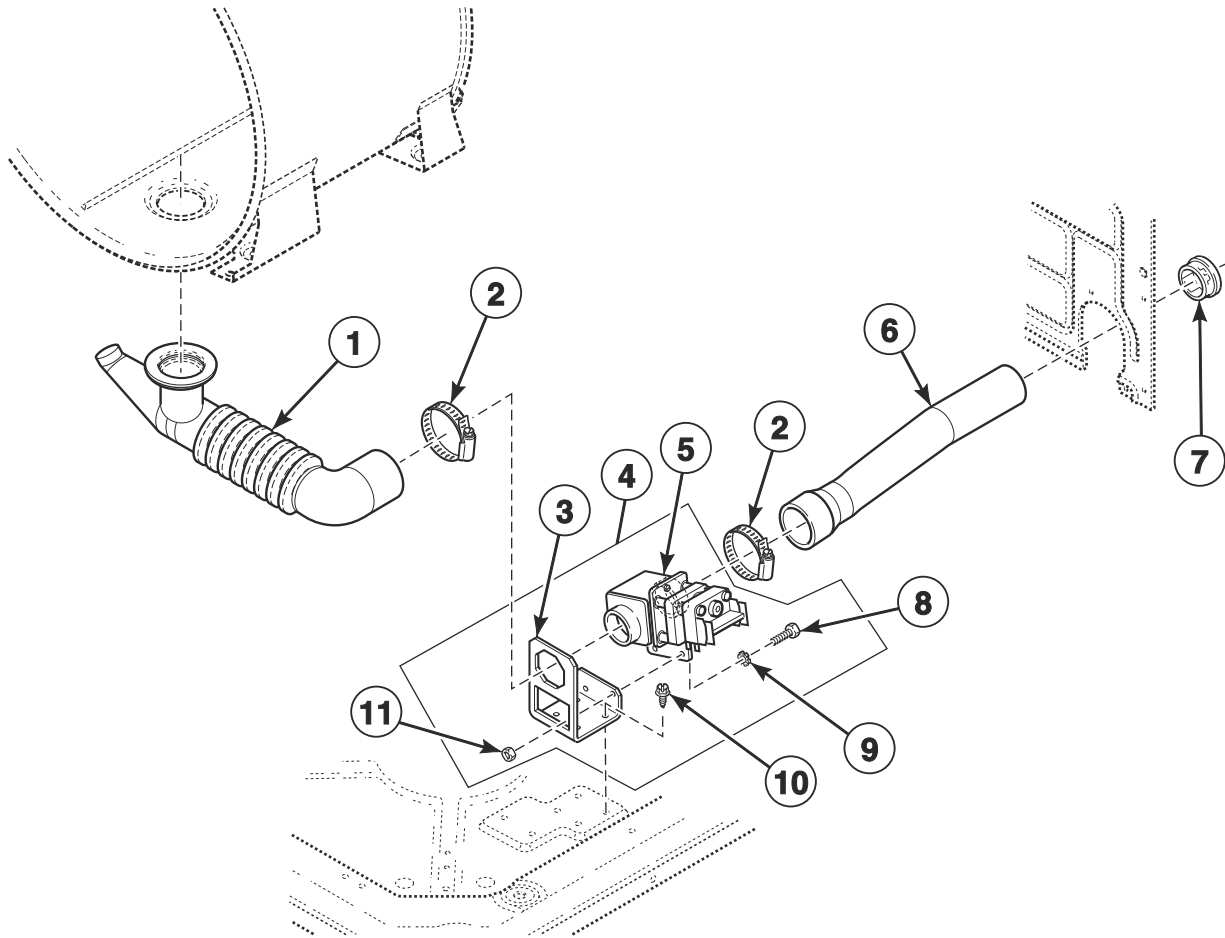
FLW1794P\_806105

## Motor and Belt (Drawing 2 of 2)

| REF | PART NO. | DESCRIPTION          | COMMENTS  |
|-----|----------|----------------------|---|
| 1   | 806258   | End Shield           | Models ATEE9AGP435AW01, ATEE9ASP133DN04, ATEE9ASP133DW04, ATEE9ASP433XW34, ATEE9ASP435XW34, ATEE9ASP453LW26, ATEE9ASP455LN01, ATEE9ASP455LW01, ATEE9ASP543DN04, ATEE9ASP543DW04, ATEE9ASP545DW04, ATEE9ASP565XW01, ATEE9AWP433AW01, ATEE9AWP435AW01, ATGE9AGP305AW01, ATGE9ASP123DN04, ATGE9ASP123DW04, ATGE9ASP125DW04, ATGE9ASP303XW01, ATGE9ASP303XW26, ATGE9ASP305XW01, ATGE9ASP543DN04, ATGE9ASP543DW04, ATGE9ASP545DW04, ATGE9AWP303AW01, ATGE9AWP305AW01, ATHE9ASP453NW29, ATHE9ASP455NN29, ATHE9ASP455NW29, ATLE9ASP305LW01, FTEE5ASP303ZW01, FTEE5ASP433LW01, LTEE5AGP133ZW30, LTEE5ASP133FW01, LTEE5ASP303WW01, LTEE5ASP303ZW01, LTEE5ASP333NW01, LTEE5ASP433AW01, LTEE5ASP433AW12, LTEE5ASP453VW26, LTEE5ASP543RW01, LTEE5ASP553KW01, LTGE5ASP113FW01, LTGE5ASP113JW01, LTGE5ASP303AW01, LTGE5ASP303AW12, LTLE5ASP303LW01, LTME5ASP543KW01, PTEE3FSP433AG01, PTGE3FSP303AG01, PTHE9ASP455NG29, TTPE5ASP303NW36, TTPE5ASP303NW36, YTEE5ASP133FW01, YTGE5ASP113FW01, ZTHE9ASP455NN29 and ZTHE9ASP455NW29 through Serial No. 2012999999 |
| 2   | 806498   | Motor Control Shield | Includes items 3 and 5; Models ATEE9AGP435AW01, ATEE9ASP133DN04, ATEE9ASP133DW04, ATEE9ASP433XW34, ATEE9ASP435XW34, ATEE9ASP453LW26, ATEE9ASP455LN01, ATEE9ASP455LW01, ATEE9ASP543DN04, ATEE9ASP543DW04, ATEE9ASP545DW04, ATEE9ASP565XW01, ATEE9AWP433AW01, ATEE9AWP435AW01, ATGE9AGP305AW01, ATGE9ASP123DN04, ATGE9ASP123DW04, ATGE9ASP125DW04, ATGE9ASP303XW01, ATGE9ASP303XW26, ATGE9ASP305XW01, ATGE9ASP543DN04, ATGE9ASP543DW04, ATGE9ASP545DW04, ATGE9AWP303AW01, ATGE9AWP305AW01, ATHE9ASP453NW29, ATHE9ASP455NN29, ATHE9ASP455NW29, FTEE5ASP303ZW01, FTEE5ASP433LW01, LTEE5AGP133ZW30, LTEE5ASP133FW01, LTEE5ASP303WW01, LTEE5ASP303ZW01, LTEE5ASP333NW01, LTEE5ASP433AW01, LTEE5ASP433AW12, LTEE5ASP453VW26, LTEE5ASP543RW01, LTEE5ASP553KW01, LTGE5ASP113FW01, LTGE5ASP113JW01, LTGE5ASP303AW01, LTGE5ASP303AW12, LTME5ASP543KW01, PTEE3FSP433AG01, PTGE3FSP303AG01, PTHE9ASP455NG29, TTPE5ASP303NW36, TTPE5ASP303NW36, YTEE5ASP133FW01, YTGE5ASP113FW01, YTGE5ASP303NW21, ZTHE9ASP455NN29 and ZTHE9ASP455NW29                        |
| 3   | 804878   | Motor Control Shield | Through Serial No. 2012999999   |
| 4   | D501524  | Screw                |   |

# Drain Hose and Valve

Models ATEE9ASG453NW36 and ATEE9ASG455NW36



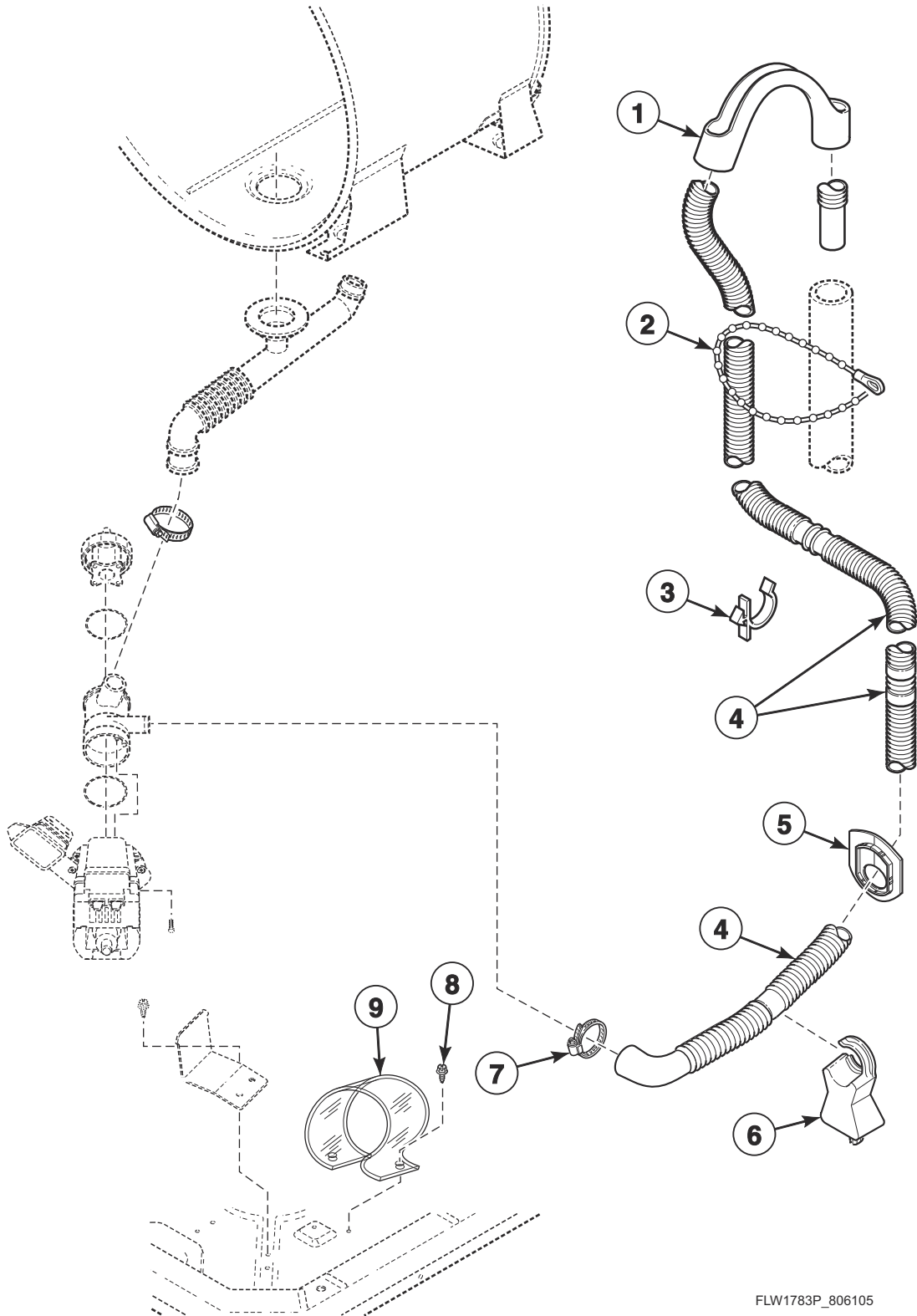
FLW1745P\_806105

## Drain Hose and Valve

| REF | PART NO. | DESCRIPTION               | COMMENTS |
|-----|----------|---------------------------|----------|
| 1   | 803874   | Tub-to-Gravity Drain Hose |          |
| 2   | 685725   | Hose Clamp                |          |
| 3   | 803291   | Gravity Drain Bracket     |          |
| 4   | F976P3   | Drain Valve Kit           |          |
| 5   | 803292P  | Gravity Drain Valve       |          |
| 6   | 800903   | Drain-to-Cabinet Hose     |          |
| 7   | D503235  | Snap Bushing              |          |
| 8   | 02916    | Screw                     |          |
| 9   | M400017  | Washer                    |          |
| 10  | D503661  | Screw                     |          |
| 11  | 29786    | Nut                       |          |

# Drain Hose and Pump (Drawing 1 of 2)

All Models Except ATEE9ASG453NW36 and ATEE9ASG455NW36



FLW1783P\_806105

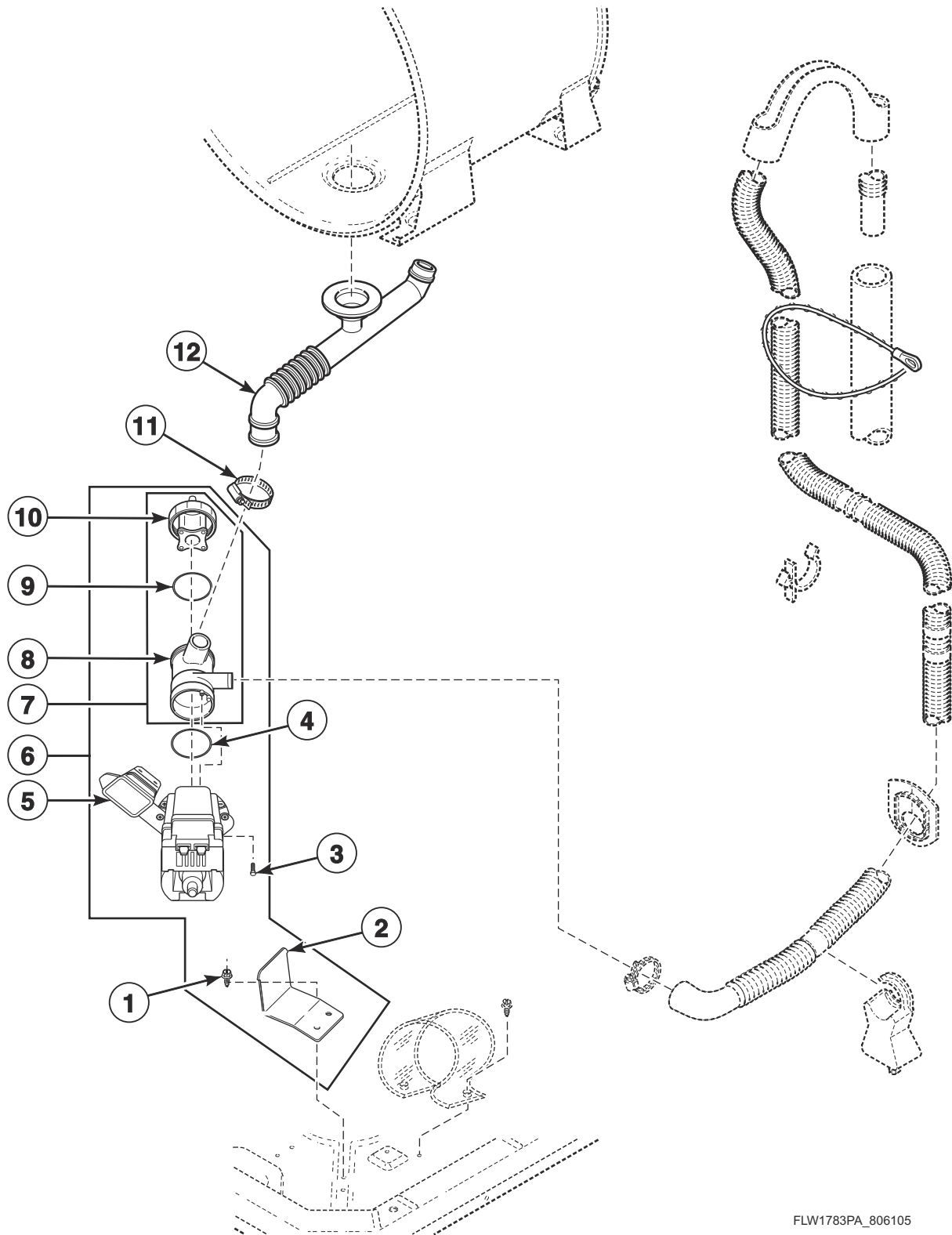


## Drain Hose and Pump (Drawing 1 of 2)

| REF | PART NO. | DESCRIPTION               | COMMENTS   |
|-----|----------|---------------------------|--|
|     | 805770   | Pump-to-Gravity Drain Kit | Models ATEE9AGP435AW01, ATEE9ASP433XW34, ATEE9ASP435XW34, ATEE9ASP453LW26, ATEE9ASP455LN01, ATEE9ASP455LW01, ATEE9ASP543DN04, ATEE9ASP543DW04, ATEE9ASP545DW04, ATEE9ASP565XW01, ATEE9AWP433AW01, ATEE9AWP435AW01, ATGE9AGP305AW01, ATGE9ASP303XW01, ATGE9ASP303XW26, ATGE9ASP305XW01, ATGE9ASP543DN04, ATGE9ASP543DW04, ATGE9ASP545DW04, ATGE9AWP303AW01, ATGE9AWP305AW01, ATHE9ASP453NW29, ATHE9ASP455NN29, ATHE9ASP455NW29, FTEE5ASP303NW10, FTEE5ASP303ZW01, FTEE5ASP433LW01, FTGE5ASP303NW10, LTEE5ASP303WW01, LTEE5ASP303WW37, LTEE5ASP303ZW01, LTEE5ASP333NW01, LTEE5ASP433AW01, LTEE5ASP433AW12, LTEE5ASP453VW26, LTEE5ASP543NW01, LTEE5ASP543NW23, LTEE5ASP543RW01, LTEE5ASP553KW01, LTGE5ASP303AW01, LTGE5ASP303AW12, LTLE5ASP543NW23, LTME5ASP543KW01, PTEE3FSP433AG01, PTGE3FSP303AG01, PTHE9ASP455NG29, TTHE5ASP303NW36, TTPE5ASP303NW36, YTEE5ASP303NW10, YTGE5ASP303NW21, ZTHE9ASP455NN29 and ZTHE9ASP455NW29   |
|     | 805771   | Pump-to-Gravity Drain Kit | All other models   |
| 1   | 33615    | Drain Hose Sleeve         |  |
| 2   | 33489    | Standpipe Strap           |  |
| 3   | 36014    | Retainer Clip             |  |
| 4   | 803976   | Drain Hose                |  |
| 5   | 32219    | Strain Relief             |  |
| 6   | 38732    | Hose Stand                |  |
| 7   | F200204  | Hose Clamp                |  |
| 8   | D503661  | Screw                     |  |
| 9   | 805561   | Drain Pump Drip Shield    | Models ATEE9AGP435AW01, ATEE9ASP133DN04, ATEE9ASP133DW04, ATEE9ASP433XW34, ATEE9ASP435XW34, ATEE9ASP453LW26, ATEE9ASP455LN01, ATEE9ASP455LW01, ATEE9ASP543DN04, ATEE9ASP543DW04, ATEE9ASP545DW04, ATEE9ASP565XW01, ATEE9AWP433AW01, ATEE9AWP435AW01, ATGE9AGP305AW01, ATGE9ASP123DN04, ATGE9ASP123DW04, ATGE9ASP125DW04, ATGE9ASP303XW01, ATGE9ASP303XW26, ATGE9ASP305XW01, ATGE9ASP543DN04, ATGE9ASP543DW04, ATGE9ASP545DW04, ATGE9AWP303AW01, ATGE9AWP305AW01, ATHE9ASP453NW29, ATHE9ASP455NN29, ATHE9ASP455NW29, ATLE9ASP305LW01, FTEE5ASP303ZW01, FTEE5ASP433LW01, LTEE5AGP133ZW30, LTEE5ASP133FW01, LTEE5ASP135MW01, LTEE5ASP303WW01, LTEE5ASP303WW37, LTEE5ASP303ZW01, LTEE5ASP433AW01, LTEE5ASP433AW12, LTEE5ASP453VW26, LTEE5ASP543NW23, LTEE5ASP543RW01, LTEE5ASP553KW01, LTGE5ASP113FW01, LTGE5ASP113JW01, LTGE5ASP125MW01, LTGE5ASP303AW01, LTGE5ASP303AW12, LTLE5ASP303LW01, LTME5ASP543KW01, PTEE3FSP433AG01, PTGE3FSP303AG01, PTHE9ASP455NG29, TTHE5ASP303NW36, TTPE5ASP303NW36, YTEE5ASP133FW01, YTGE5ASP113FW01, ZTHE9ASP455NN29 and ZTHE9ASP455NW29 |

# Drain Hose and Pump (Drawing 2 of 2)

All Models Except ATEE9ASG453NW36 and ATEE9ASG455NW36

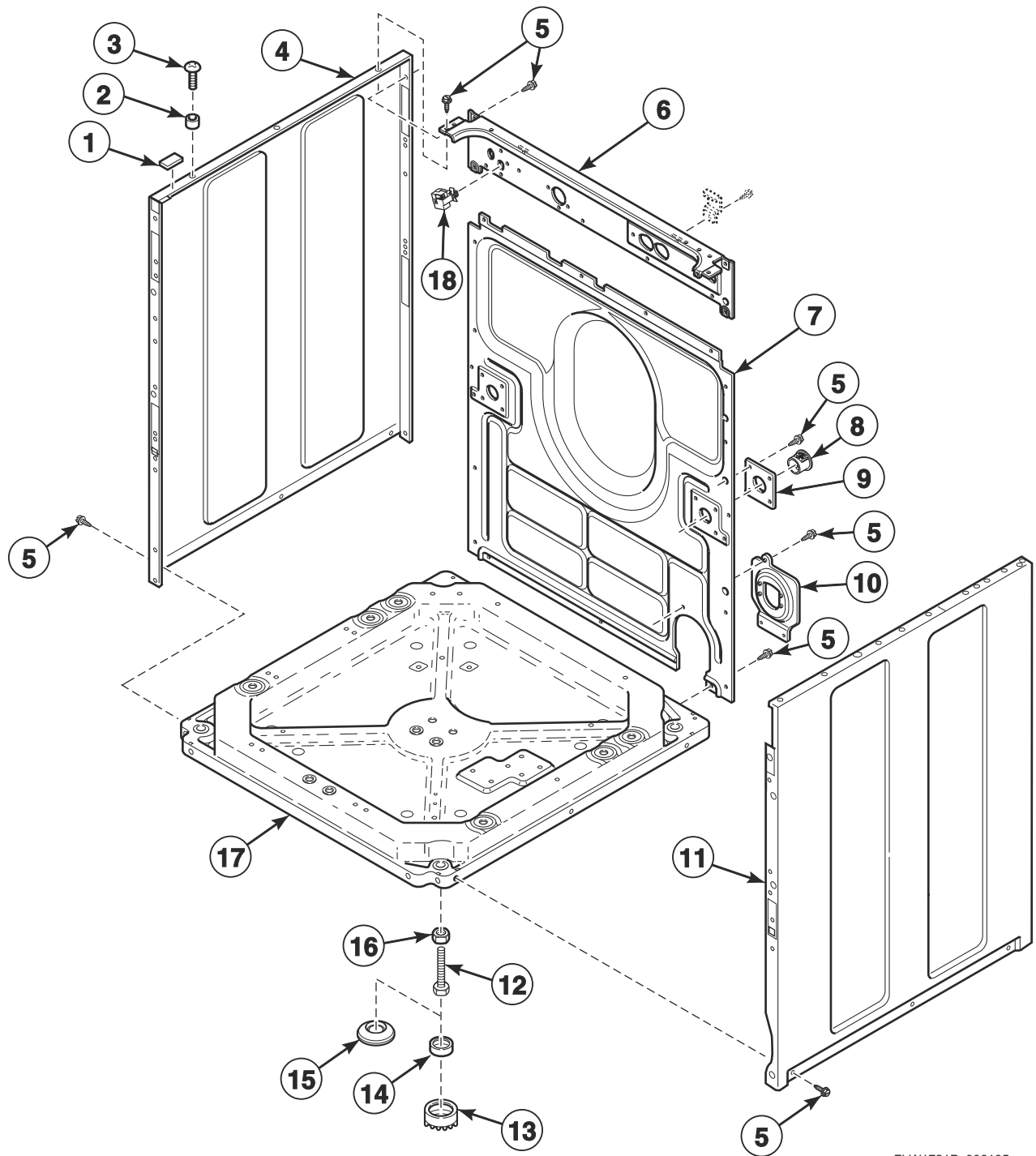


FLW1783PA\_806105

## Drain Hose and Pump (Drawing 2 of 2)

| REF | PART NO. | DESCRIPTION           | COMMENTS   |
|-----|----------|-----------------------|--|
| 1   | D503661  | Screw                 |  |
| 2   | 803814   | Drain Base Bracket    |  |
| 3   | 802431   | Screw                 |  |
| 4   | 802429P  | O-Ring                |  |
| 5   | 803815   | Drain Pump Isolator   |  |
| 6   | 808195P  | Drain Pump Assembly   | Models ATEE9ASP543DN04, ATEE9ASP543DW04, ATEE9ASP545DW04, ATGE9ASP543DN04, ATGE9ASP543DW04, ATGE9ASP545DW04, LTEE5ASP333NW01, LTEE5ASP543NW01, LTEE5ASP543NW23, LTEE5ASP543RW01, LTLE5ASP543NW23 and LTME5ASP543KW01   |
|     | 808194P  | Drain Pump Assembly   | Models ATEE9AGP435AW01, ATEE9ASP433XW34, ATEE9ASP435XW34, ATEE9ASP453LW26, ATEE9ASP455LN01, ATEE9ASP455LW01, ATEE9ASP565XW01, ATEE9AWP433AW01, ATEE9AWP435AW01, ATGE9AGP305AW01, ATGE9ASP303XW26, ATGE9AWP303AW01, ATGE9AWP305AW01, ATHE9ASP453NW29, ATHE9ASP455NN29, ATHE9ASP455NW29, ATLE9ASP305LW01, FTEE5ASP303NW10, FTEE5ASP303ZW01, FTEE5ASP433LW01, FTGE5ASP303NW10, LTEE5ASP303WW01, LTEE5ASP303WW37, LTEE5ASP303ZW01, LTEE5ASP433AW01, LTEE5ASP433AW12, LTEE5ASP453VW26, LTEE5ASP543RW01, LTEE5ASP553KW01, LTGE5ASP303AW01, LTGE5ASP303AW12, LTLE5ASP303LW01, LTLE5ASP303NW35, PTEE3FSP433AG01, PTGE3FSP303AG01, PTHE9ASP455NG29, TTHE5ASP303NW36, TTPE5ASP303NW36, YTEE5ASP303NW10, YTGE5ASP303NW21, ZTHE9ASP455NN29 and ZTHE9ASP455NW29 |
|     | 808196P  | Drain Pump Assembly   | All other models   |
| 7   | 802434P  | Pump Housing Assembly | Includes items 8-10  |
| 8   | 802428   | Pump Housing          |  |
| 9   | 802427   | Gasket                |  |
| 10  | 802426P  | Lid Assembly          | Includes filter  |
| 11  | F200204  | Hose Clamp            |  |
| 12  | 803816   | Tub-to-Pump Hose      | Models ATHE9ASP453NW29, ATHE9ASP455NN29, ATHE9ASP455NW29, PTHE9ASP455NG29, TTHE5ASP303NW36, TTPE5ASP303NW36, ZTHE9ASP455NN29 and ZTHE9ASP455NW29   |
|     | 27615P   | Sealant               | Tub-to-pump hose to outer tub; Model ATEE9ASP286CW01   |
|     | 803829   | Tub-to-Pump Hose      | All other models   |

# Base, Side Panels and Rear Panel



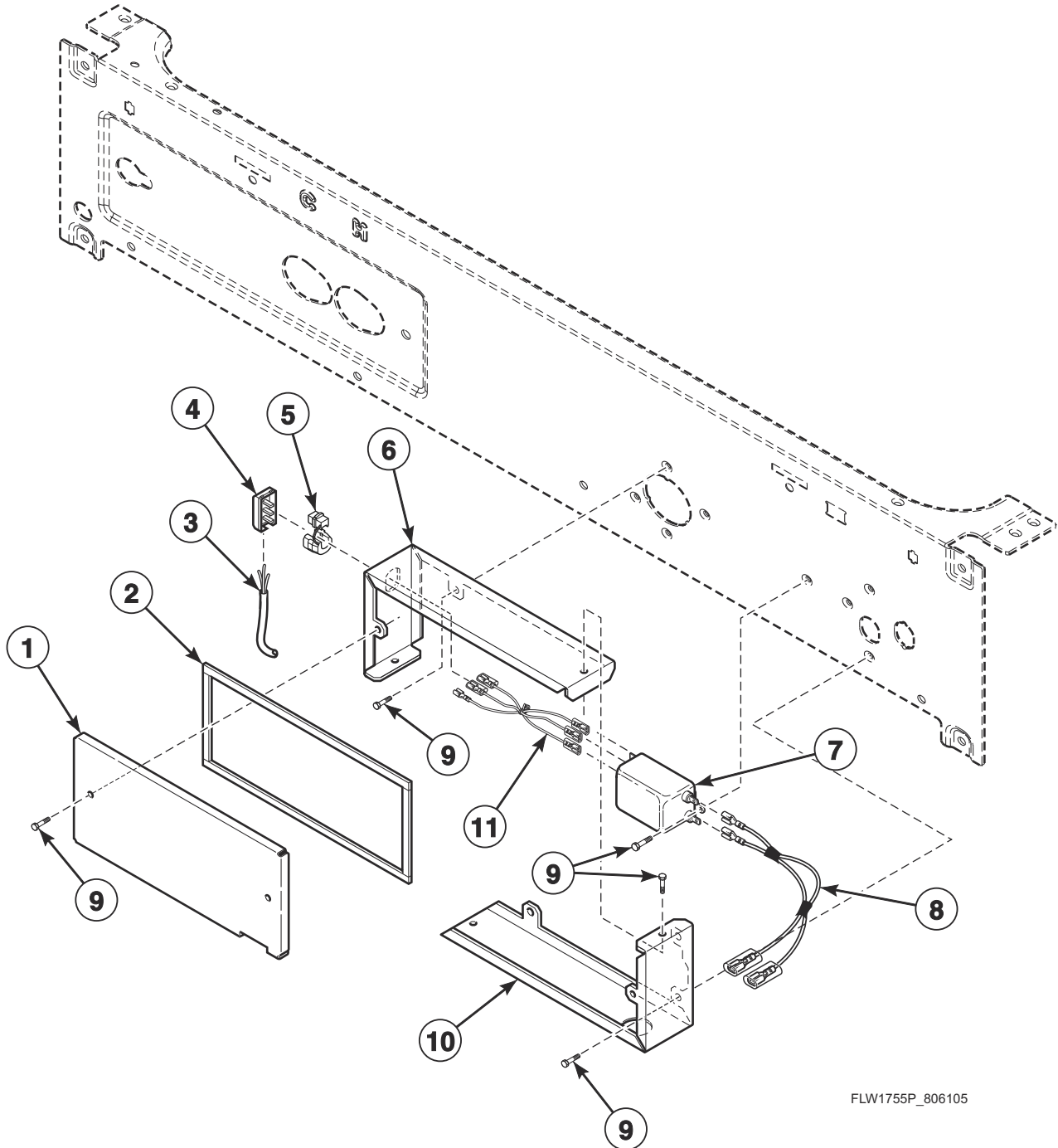
FLW1721P\_806105

## Base, Side Panels and Rear Panel

| REF       | PART NO. | DESCRIPTION                 | COMMENTS   |
|-----------|----------|-----------------------------|--|
|           | 122P4P   | Porcelain Touch-Up Paint    | White  |
|           | 806436P  | Paint                       | Gray   |
| <b>1</b>  | 36226    | Bumper Pad                  |  |
| <b>2</b>  | 56079    | Panel Locator               |  |
| <b>3</b>  | 39733    | Screw                       | Use with painted panels  |
|           | 806276   | Screw                       | Use with stainless steel panels  |
| <b>4</b>  | 800004WP | Cabinet Panel Kit           | Left; White; Includes corner gusset with hardware  |
|           | 800004DG | Cabinet Side Panel          | Left; Dark gray  |
|           | 802525P  | Cabinet Side Panel          | Left; Stainless steel  |
| <b>5</b>  | D503661  | Screw                       | Use with painted panels  |
|           | D512921  | Screw                       | Use with stainless steel panels  |
| <b>6</b>  | 803790   | Rear Panel                  | Fixed; Through Serial No. 1810000001   |
|           | 806716   | Rear Panel                  | Fixed; Starting Serial No. 1810000001  |
| <b>7</b>  | 803789   | Rear Panel                  | Removable  |
| <b>8</b>  | 803859   | Shipping Plug               |  |
| <b>9</b>  | 803851   | Shipping Plate              |  |
| <b>10</b> | 803833   | Gravity Drain Bracket       | Models ATEE9ASG453NW36 and ATEE9ASG455NW36   |
|           | 803828   | Drain Hose Bracket          | All other models   |
| <b>11</b> | 806492   | Side Panel Kit              | Right; White   |
|           | 800005DG | Cabinet Side Panel          | Right; Dark gray   |
|           | 802526P  | Cabinet Side Panel          | Right; Stainless steel   |
| <b>12</b> | 34319    | Leveling Leg                |  |
| <b>13</b> | D501855  | Rubber Foot                 | Use to prevent movement on smooth surface floor coverings; Install over 2 existing front rubber feet (item 14) |
| <b>14</b> | 34318    | Rubber Foot                 |  |
| <b>15</b> | 155P3    | Anchor                      | Includes 4 rubber discs with adhesive backing  |
|           | 802844P  | Anchor Floor Mount Assembly | Includes 2 rubber discs with adhesive backing  |
| <b>16</b> | 21899    | Nut                         |  |
| <b>17</b> | 803876   | Base Assembly               |  |
| <b>18</b> | 203843   | Pressure Sensor             |  |

# Washer Junction Box

Models ATEE9AGP435AW01, ATEE9ASG453NW36, ATEE9ASG455NW36, ATEE9ASP133DN04, ATEE9ASP133DW04, ATEE9ASP433XW34, ATEE9ASP435XW34, ATEE9ASP453LW26, ATEE9ASP455LN01, ATEE9ASP455LW01, ATEE9ASP543DN04, ATEE9ASP543DW04, ATEE9ASP545DW04, ATEE9ASP565XW01, ATEE9AWP433AW01, ATEE9AWP435AW01, ATGE9AGP305AW01, ATGE9ASP123DN04, ATGE9ASP123DW04, ATGE9ASP125DW04, ATGE9ASP303XW01, ATGE9ASP303XW26, ATGE9ASP305XW01, ATGE9ASP543DN04, ATGE9ASP543DW04, ATGE9ASP545DW04, ATGE9AWP303AW01, ATGE9AWP305AW01, ATLE9ASP305LW01, FTEE5ASP303NW10, FTEE5ASP303ZW01, FTEE5ASP433LW01, FTGE5ASP303NW10, LTEE5AGP133ZW30, LTEE5ASP133FW01, LTEE5ASP135MW01, LTEE5ASP303WW01, LTEE5ASP303WW37, LTEE5ASP303ZW01, LTEE5ASP333NW01, LTEE5ASP433AW01, LTEE5ASP433AW12, LTEE5ASP453VW26, LTEE5ASP543NW01, LTEE5ASP543NW23, LTEE5ASP543RW01, LTEE5ASP553KW01, LTGE5ASP113FW01, LTGE5ASP113JW01, LTGE5ASP125MW01, LTGE5ASP303AW01, LTGE5ASP303AW12, LTLE5ASP303LW01, LTLE5ASP303NW35, LTLE5ASP543NW23, LTME5ASP543KW01, PTEE3FSP433AG01, PTGE3FSP303AG01, YTEE5ASP133FW01, YTEE5ASP303NW10, YTGE5ASP113FW01 and YTGE5ASP303NW21

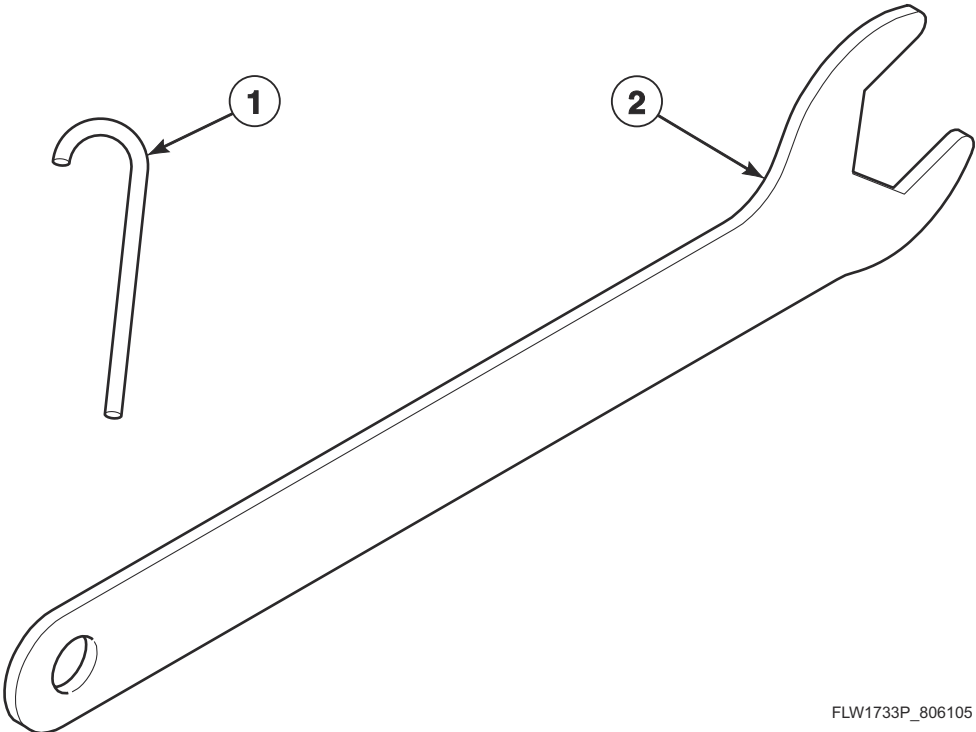


FLW1755P\_806105

# Washer Junction Box

| REF | PART NO. | DESCRIPTION           | COMMENTS   |
|-----|----------|-----------------------|--|
| 1   | 803820   | Junction Box Cover    |  |
| 2   | 803832P  | Junction Box Seal     |  |
| 3   | 801450   | Power Cord Assembly   | Models FTEE5ASP303NW10, FTEE5ASP303ZW01, FTGE5ASP303NW10, LTEE5ASP303ZW01, LTEE5ASP333NW01, LTEE5ASP543NW01 and YTEE5ASP303NW10  |
|     | 808131   | Lead-In Cord          | Models LTEE5ASP453VW26, LTEE5ASP543NW23 and LTLE5ASP543NW23  |
|     | 204061   | Power Cord Assembly   | Models LTEE5AGP133ZW30 and LTGE5ASP113JW01   |
|     | 808047   | Power Cord Assembly   | Models ATEE9AGP435AW01, ATEE9AWP433AW01, ATEE9AWP435AW01, ATGE9AGP305AW01, ATGE9AWP303AW01, ATGE9AWP305AW01, LTEE5ASP433AW01, LTEE5ASP433AW12, LTGE5ASP303AW01, LTGE5ASP303AW12, PTEE3FSP433AG01 and PTGE3FSP303AG01   |
|     | 802012   | Power Cord Assembly   | Models LTEE5ASP133FW01, LTGE5ASP113FW01, YTEE5ASP133FW01 and YTGE5ASP113FW01   |
|     | 808045   | Power Cord Assembly   | Models ATEE9ASP433XW34, ATEE9ASP435XW34, ATEE9ASP565XW01, ATGE9ASP303XW01, ATGE9ASP303XW26, ATGE9ASP305XW01, LTEE5ASP543RW01 and LTLE5ASP303NW35   |
|     | 804556   | Lead-In Cord Assembly | Models ATEE9ASP133DN04, ATEE9ASP133DW04, ATEE9ASP543DN04, ATEE9ASP543DW04, ATEE9ASP545DW04, ATGE9ASP123DN04, ATGE9ASP123DW04, ATGE9ASP125DW04, ATGE9ASP543DN04, ATGE9ASP543DW04 and ATGE9ASP545DW04  |
|     | 808046   | Power Cord Assembly   | Models ATEE9ASG453NW36 and ATEE9ASG455NW36   |
|     | 202405   | Lead-In Cord          | Models LTEE5ASP303WW01 and LTEE5ASP303WW37   |
|     | 805974   | Lead-In Cord          | Models ATEE9ASP453LW26, ATEE9ASP455LN01, ATEE9ASP455LW01, ATLE9ASP305LW01, FTEE5ASP433LW01 and LTLE5ASP303LW01   |
|     | 805844   | Lead-In Cord          | Models LTEE5ASP553KW01 and LTME5ASP543KW01   |
|     | 805732   | Power Cord Assembly   | Model YTGE5ASP303NW21  |
| 4   | 39922    | Cable Connection Box  | All models except LTEE5AGP133ZW30 and LTGE5ASP113JW01  |
| 5   | 60298    | Strain Relief         | Models LTEE5AGP133ZW30 and LTGE5ASP113JW01   |
|     | 38384    | Strain Relief         | All other models   |
| 6   | 804559   | Junction Box          | Upper; Models LTEE5AGP133ZW30 and LTGE5ASP113JW01  |
|     | 803818   | Junction Box          | Upper; All other models  |
| 7   | 805633   | Line Filter           | Models ATEE9ASP133DN04, ATEE9ASP133DW04, ATEE9ASP543DN04, ATEE9ASP543DW04, ATEE9ASP545DW04, ATGE9ASP123DN04, ATGE9ASP123DW04, ATGE9ASP125DW04, ATGE9ASP543DN04, ATGE9ASP543DW04, ATGE9ASP545DW04, LTEE5ASP133FW01, LTGE5ASP113FW01, LTGE5ASP113JW01, YTEE5ASP133FW01 and YTGE5ASP113FW01 |
|     | 807473   | Line Filter           | All other models   |
| 8   | 804396   | Filter Harness        | Filter to main harness; Models ATGE9ASP303XW01, ATGE9ASP303XW26, ATGE9ASP305XW01, ATLE9ASP305LW01, LTEE5AGP133ZW30, LTGE5ASP113JW01, LTLE5ASP303LW01, PTEE3FSP433AG01 and PTGE3FSP303AG01; All other models starting Serial Nos. beginning 1610  |
|     | 804797   | Filter Harness        | Filter to main harness; Models LTEE5ASP135MW01 and LTGE5ASP125MW01; All other models through Serial Nos. beginning 1610  |
| 9   | D503661  | Screw                 |  |
| 10  | 803819   | Junction Box          | Lower  |
| 11  | 808048   | Filter Jumper Harness | Filter to terminal block; All models except LTEE5AGP133ZW30, LTGE5ASP113JW01, PTEE3FSP433AG01 and PTGE3FSP303AG01  |

# Special Tools



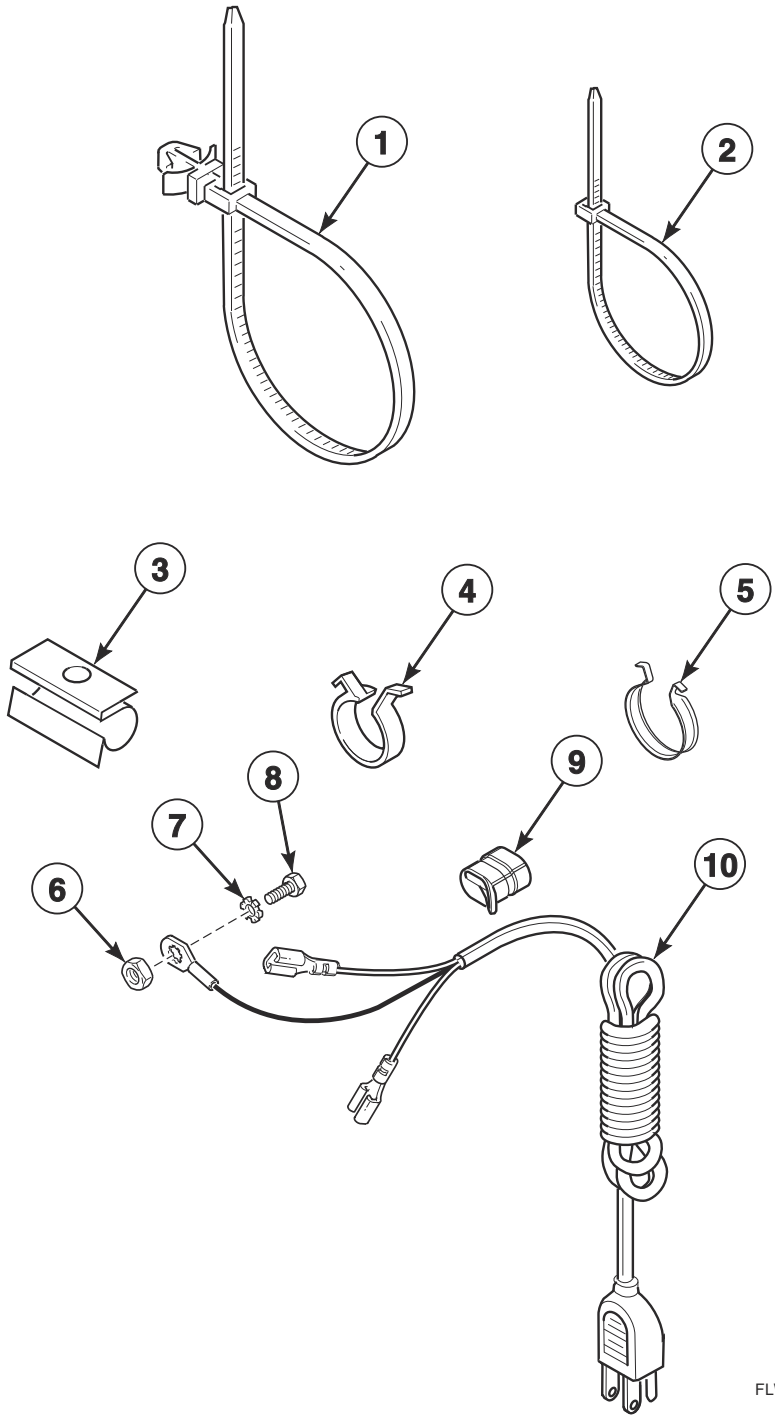
FLW1733P\_806105



# Special Tools

| REF | PART NO. | DESCRIPTION                    | COMMENTS                            |
|-----|----------|--------------------------------|-------------------------------------|
|     | 807623   | Belt Install Tool              | Used with 807429P Belt              |
| 1   | 802336   | Pulley Bolt Tightening Fixture | Use to install inner basket         |
| 2   | 392P4    | Shock Adjusting Wrench         | Use for adjusting leveling leg nuts |

# Washer Lead-In Cord, Wire Ties and Harness Clips



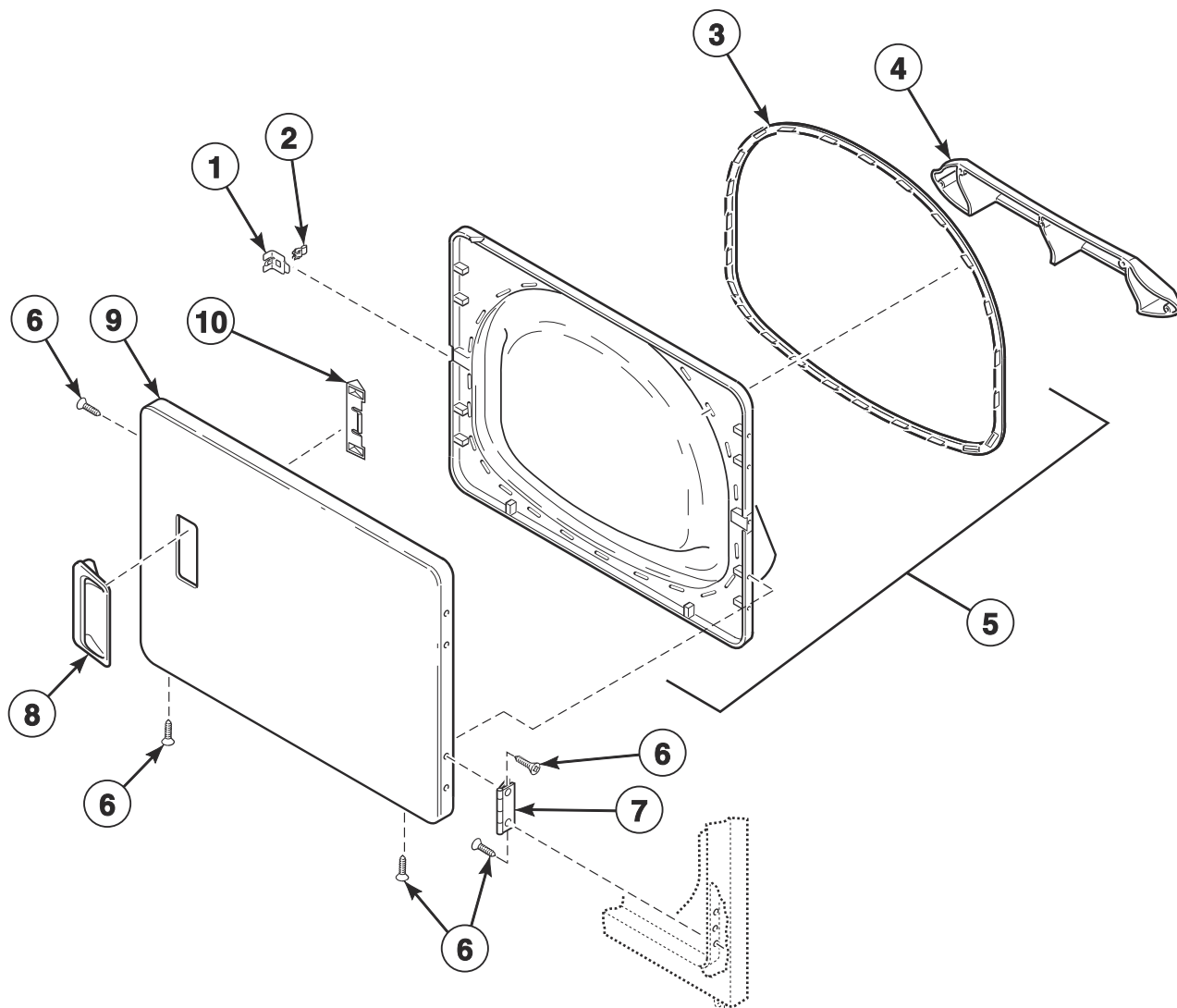
FLW823P\_806105

## Washer Lead-In Cord, Wire Ties and Harness Clips

| REF | PART NO. | DESCRIPTION         | COMMENTS   |                     |  |
|-----|----------|---------------------|--|---------------------|--|
| 1   | 38663    | Wire Tie            |  |                     |  |
| 2   | 55881    | Harness Strap       |  |                     |  |
| 3   | 36985    | Hose Clip           |  |                     |  |
| 4   | D504034  | Wire Clip           | Small  |                     |  |
| 5   | 687500   | Wire Clip           | Large  |                     |  |
| 6   | 03673    | Nut                 |  |                     |  |
| 7   | 03815    | Washer              |  |                     |  |
| 8   | 20530    | Screw               |  |                     |  |
| 9   | 806511   | Strain Relief       | Models ATHE9ASP453NW29, TTHE5ASP303NW36 and TTPE5ASP303NW36  |                     |  |
|     | 806508   | Strain Relief Plate | Models ATHE9ASP453NW29, TTHE5ASP303NW36 and TTPE5ASP303NW36  |                     |  |
|     | 38384    | Strain Relief       | All other models   |                     |  |
| 10  | 202777   | Lead-In Cord        | Models BTEE6ASP173TW01, BTGE6ASP113TW01, LTEA5FSP153TW01, LTEA5FSP153TW04, LTEA5FSP173TW01, LTEA5FSP173TW04, LTEE5ASP153TW01, LTEE5ASP155TW01, LTEE5ASP173TW01, LTEE5ASP175TW01, LTEE5FSP175TW01, LTEE5FSP275TW01, LTGA5FSP113TW01, LTGE5ASP113TW01, LTGE5ASP115TW01, LTGE5FSP115TW01, PTEE3FSP173TG01, PTEE3FSP175TG01, PTEE3FSP175TW01, PTEE3FSP283CG01, PTEE3FSP285CG01, PTGE3FSP093CG01, PTGE3FSP095CG01, PTGE3FSP113TG01, PTGE3FSP115TG01, PTGE3FSP115TW01, UTEE5ASP173TW01, UTEE5ASP173TW08, UTEE5ASP175TW01, UTEE5ASP175TW08, UTGE5ASP113TW01, UTGE5ASP113TW08, UTGE5ASP115TW01, UTGE5ASP115TW08, YTEE5ASP173TW01, YTEE5ASP175TW01, YTGE5ASP113TW01 and YTGE5ASP115TW01 |                     |  |
|     |          |                     | 806179   | Power Cord Assembly | Models ATEE9ASG455NW36, ATHE9ASP453NW29, ATHE9ASP455NW29 and PTHE9ASP455NG29 |
|     |          |                     | 807034   | Lead-In Cord        | Models TTHE5ASP303NW36 and TTPE5ASP303NW36                                   |
|     |          |                     | 808050   | Lead-In Cord        | Models LTEE5ASP135MW01 and LTGE5ASP125MW01                                   |

# Dryer Door Without Window (Drawing 1 of 2)

Models ATEE9ASP133DN04, ATEE9ASP285CW01, ATEE9ASP285CW14, ATEE9ASP286CW01, ATEE9ASP455LN01, ATEE9ASP543DN04, ATGE9ASP095CW01, ATGE9ASP095CW14, ATGE9ASP123DN04, ATGE9ASP543DN04, LTEE5AGP133ZW30, PTEE3FSP173TG01, PTEE3FSP175TG01, PTEE3FSP175TW01, PTEE3FSP283CG01, PTEE3FSP285CG01, PTEE3FSP433AG01, PTGE3FSP093CG01, PTGE3FSP095CG01, PTGE3FSP113TG01, PTGE3FSP115TG01, PTGE3FSP115TW01, PTGE3FSP303AG01, ZTEE9ASP286CW01 and ZTGE9ASP096CW01



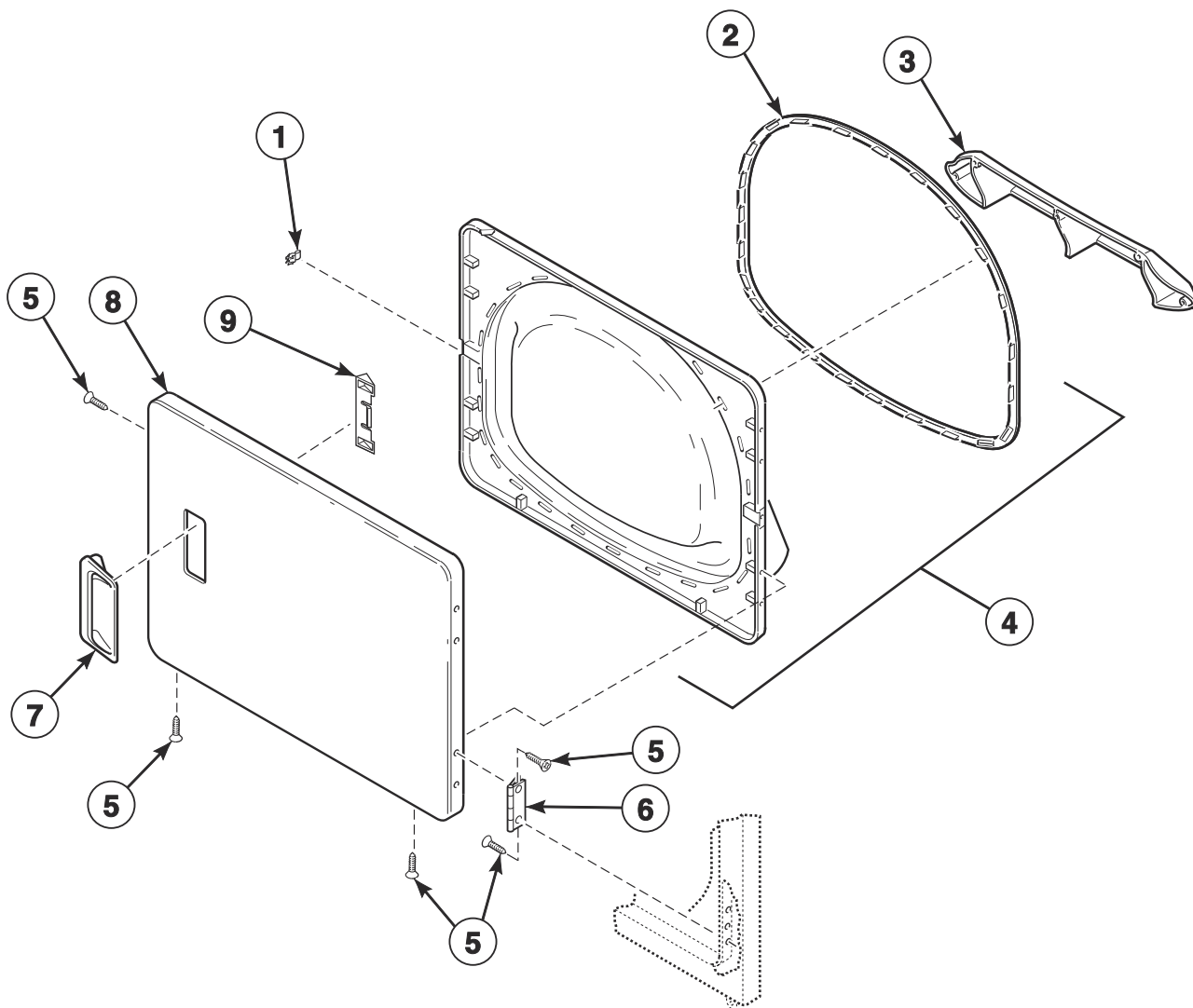
DRY2468P\_806105

## Dryer Door Without Window (Drawing 1 of 2)

| REF | PART NO.  | DESCRIPTION                    | COMMENTS   |
|-----|-----------|--------------------------------|--|
| 1   | D510127   | Door Strike Mount              | All models except ATEE9ASP285CW01, ATEE9ASP285CW14, ATGE9ASP095CW01, ATGE9ASP095CW14, ZTEE9ASP286CW01 and ZTGE9ASP096CW01  |
| 2   | D510181   | Door Strike                    |  |
| 3   | D510147P  | Liner Door Seal                | All models except ATEE9ASP285CW01, ATEE9ASP285CW14, ATGE9ASP095CW01, ATGE9ASP095CW14, ZTEE9ASP286CW01 and ZTGE9ASP096CW01  |
| 4   | D503870W  | Door Liner Grill               | Models ATEE9ASP285CW01, ATEE9ASP285CW14, ATEE9ASP286CW01, ATGE9ASP095CW01, ATGE9ASP095CW14, ZTEE9ASP286CW01 and ZTGE9ASP096CW01  |
|     | D503870LG | Door Liner Grill               | Model ATEE9ASP455LN01  |
| 5   | D510163WP | Liner, Seal and Grill Assembly | Includes item 3 and grill; Models LTEE5AGP133ZW30, PTEE3FSP433AG01 and PTGE3FSP303AG01 ATEE9ASP285CW01, ATEE9ASP285CW14, ATGE9ASP095CW01, ATGE9ASP095CW14, LTEE5AGP133ZW30, PTEE3FSP433AG01, PTGE3FSP303AG01, ZTEE9ASP286CW01 and ZTGE9ASP096CW01; Model PTGE3FSP113TG01 through Serial No. 1606000838                 |
|     | D516510WP | Door Assembly                  | Includes item 3 and grill; Models ATEE9ASP133DN04, ATEE9ASP543DN04, ATGE9ASP123DN04, ATGE9ASP543DN04, PTEE3FSP173TG01, PTEE3FSP175TG01, PTEE3FSP175TW01, PTEE3FSP283CG01, PTEE3FSP285CG01, PTGE3FSP093CG01, PTGE3FSP095CG01, PTGE3FSP115TG01 and PTGE3FSP115TW01; Model PTGE3FSP113TG01 starting Serial No. 1606000839 |
|     | D516508   | Door Liner Assembly            | Includes seal; Models ATEE9ASP285CW01, ATEE9ASP285CW14, ATEE9ASP286CW01, ATEE9ASP455LN01, ATGE9ASP095CW01, ATGE9ASP095CW14, ZTEE9ASP286CW01 and ZTGE9ASP096CW01  |
| 6   | D500226   | Screw                          |  |
| 7   | D511036   | Hinge                          |  |
| 8   | D512947   | Door Pull                      | Light gray   |
|     | D511213P  | Door Pull and Wedge Kit        | Black; Includes item 10  |
|     | D510103WP | Door Pull and Wedge Kit        | Models ATEE9ASP285CW01, ATEE9ASP285CW14, ATGE9ASP095CW01, ATGE9ASP095CW14, ZTEE9ASP286CW01 and ZTGE9ASP096CW01; Includes item 10   |
| 9   | D515960W  | Dryer Door                     | Models ATEE9ASP285CW01, ATEE9ASP285CW14, ATEE9ASP286CW01, ATGE9ASP095CW01, ATGE9ASP095CW14, ZTEE9ASP286CW01 and ZTGE9ASP096CW01  |
|     | D515963   | Dryer Door                     | Stainless steel; Model ATEE9ASP455LN01   |
|     | D510013DG | Dryer Door                     | Dark gray; All other models  |
|     | D510013WP | Dryer Door                     | White; All other models  |
|     | D512969   | Dryer Door                     | Stainless steel; All other models  |
| 10  | D510129W  | Door Handle Wedge              | Models LTEE5AGP133ZW30, PTEE3FSP433AG01 and PTGE3FSP303AG01 ATEE9ASP285CW01, ATEE9ASP285CW14, ATEE9ASP286CW01, ATGE9ASP095CW01, LTEE5AGP133ZW30, PTEE3FSP433AG01, PTGE3FSP303AG01, ZTEE9ASP286CW01 and ZTGE9ASP096CW01; Model PTGE3FSP113TG01 through Serial No. 1606000838  |
|     | D510103WP | Door Pull and Wedge Kit        | Models ATEE9ASP133DN04, ATEE9ASP543DN04, ATGE9ASP123DN04, ATGE9ASP543DN04, PTEE3FSP173TG01, PTEE3FSP175TG01, PTEE3FSP175TW01, PTEE3FSP283CG01, PTEE3FSP285CG01, PTGE3FSP093CG01, PTGE3FSP095CG01, PTGE3FSP115TG01 and PTGE3FSP115TW01; Model PTGE3FSP113TG01 starting Serial No. 1606000839                            |

## Dryer Door Without Window (Drawing 2 of 2)

Models ATEE9AGP435AW01, ATEE9ASP435XW34, ATEE9ASP545DW04, ATEE9ASP565XW01, ATGE9AGP305AW01, ATGE9ASP125DW04, ATGE9ASP545DW04, ATHE9ASP455NW29, FTEE5ASP303NW10, FTGE5ASP303NW10, LTEE5ASP135MW01, LTEE5ASP175TW01, LTEE5ASP303WW01, LTEE5ASP303WW37, LTEE5ASP303ZW01, LTEE5ASP433AW12, LTEE5ASP543NW01, LTEE5FSP175TW01, LTEE5FSP275TW01, LTGE5ASP115TW01, LTGE5ASP125MW01, LTGE5ASP303AW12, LTGE5FSP115TW01, LTLE5ASP303NW35, LTLE5ASP543NW23, UTEE5ASP175TW01, UTEE5ASP285CW01, UTGE5ASP115TW01, YTEE5ASP175TW01, YTEE5ASP285CW01, YTGE5ASP095CW01, YTGE5ASP115TW01 and ZTHE9ASP455NW29 starting Serial No. 2110000001; Models LTEE5ASP133FW01, LTGE5ASP113FW01, YTEE5ASP133FW01 and YTGE5ASP113FW01 starting Serial No. 22060000001; Models PTHE9ASP455NG29



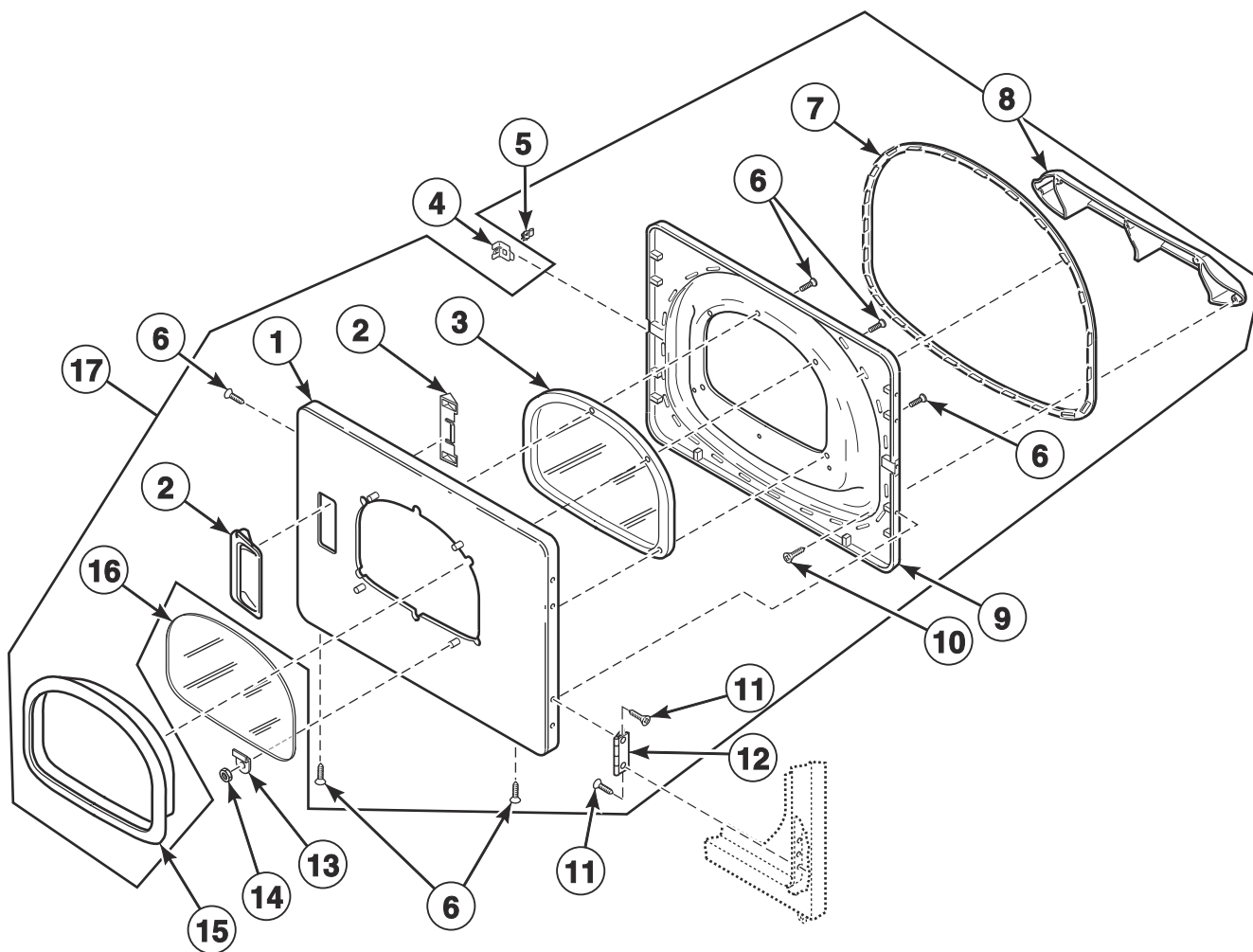
DRY2560P

## Dryer Door Without Window (Drawing 2 of 2)

| REF | PART NO.  | DESCRIPTION             | COMMENTS                  |
|-----|-----------|-------------------------|---------------------------|
| 1   | D510181   | Door Strike             |                           |
| 2   | D515709   | Liner Door Seal         |                           |
| 3   | D503870W  | Door Liner Grill        |                           |
| 4   | D516510WP | Door Assembly           | Includes item 3 and grill |
| 5   | D500226   | Screw                   |                           |
| 6   | D511036   | Hinge                   |                           |
| 7   | D510103WP | Door Pull and Wedge Kit | White                     |
|     | D512947   | Door Pull               | Light gray                |
| 8   | D515960W  | Dryer Door              | White                     |
|     | D515960DG | Dryer Door              | Gray                      |
| 9   | D510129W  | Door Handle Wedge       |                           |

## Dryer Door With Window (Drawing 1 of 2)

Models ATEE9ASP283CW01, ATGE9ASP093CW01, BTEE6ASP173TW01, BTEE6ASP283CW01, LTEA5FSP153TW01, LTEA5FSP153TW04, LTEA5FSP173TW01, LTEA5FSP173TW04, LTEE5ASP135MW01, LTEE5ASP153TW01, LTEE5ASP155TW01, LTEE5ASP173TW01, LTEE5ASP175TW01, LTEE5ASP283CW01, LTEE5ASP285CW01, LTEE5ASP293CW01, LTEE5ASP295CW01, LTEE5FSP175TW01, LTEE5FSP275TW01, LTGE5ASP093CW01, LTGE5ASP095CW01, LTGE5FSP115TW01, UTEE5ASP173TW01, UTEE5ASP173TW08, UTEE5ASP175TW01, UTEE5ASP175TW08, UTEE5ASP283CW01, UTEE5ASP285CW01, YTEE5ASP173TW01, YTEE5ASP175TW01, YTEE5ASP283CW01 and YTEE5ASP285CW01



DRY2296P\_806105

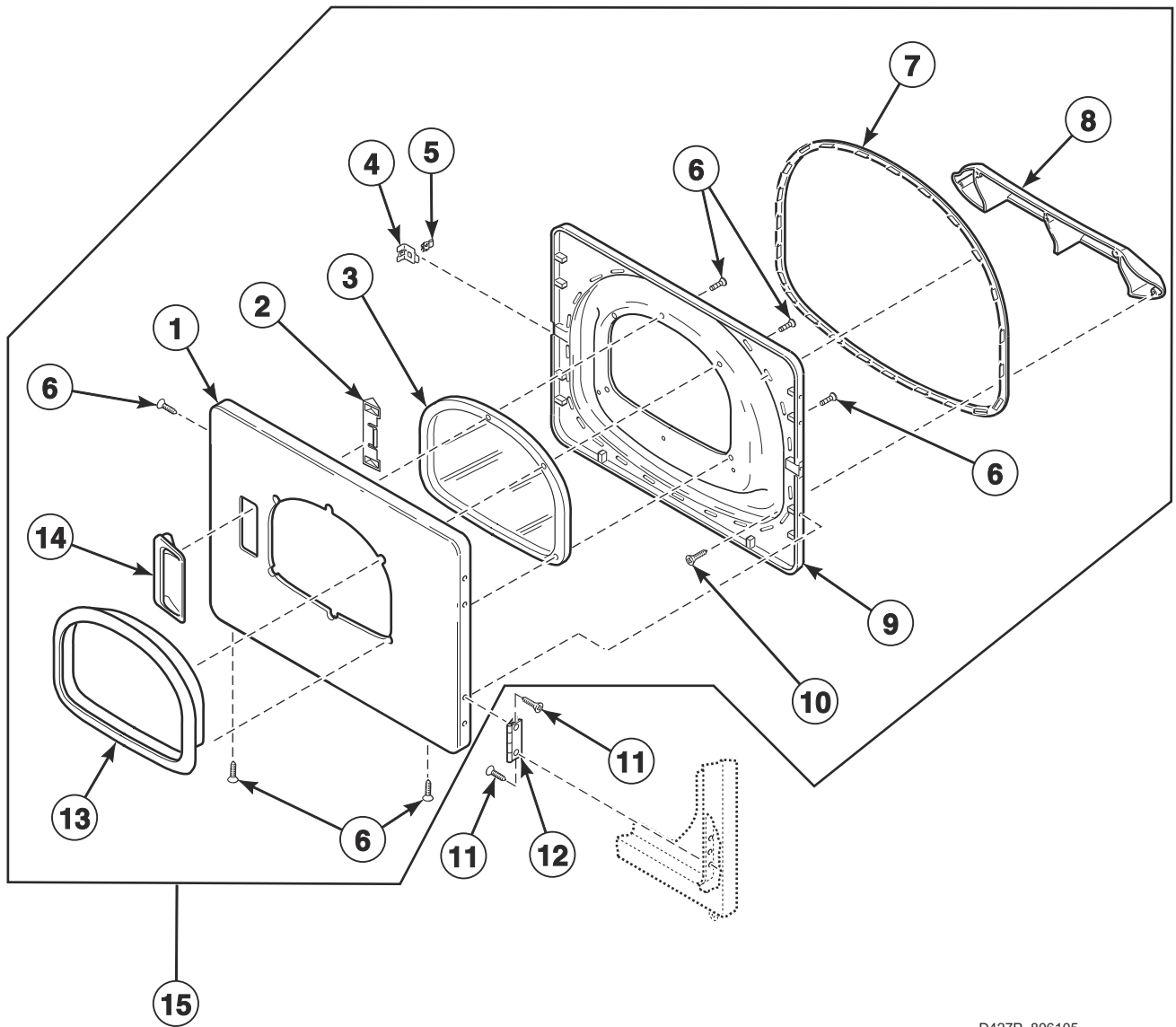


## Dryer Door With Window (Drawing 1 of 2)

| REF | PART NO.  | DESCRIPTION             | COMMENTS   |
|-----|-----------|-------------------------|--|
| 1   | D516737W  | Door Assembly           | Through Serial Nos. beginning 1707                   |
|     | D515961W  | Dryer Door              | Starting Serial Nos. beginning 1707                  |
| 2   | D510103WP | Door Pull and Wedge Kit |  |
| 3   | D503982P  | Dryer Door Window       | Through Serial Nos. beginning 1707                   |
|     | D515681   | Dryer Door Window       | Glass; Starting Serial Nos. beginning 1707           |
| 4   | D510127   | Door Strike Mount       | Through Serial Nos. beginning 1707                   |
| 5   | D510181   | Door Strike             |  |
| 6   | D515597   | Screw                   | Through Serial Nos. beginning 1707                   |
|     | D515967   | Screw                   | Starting Serial Nos. beginning 1707                  |
| 7   | D510147P  | Liner Door Seal         | Through Serial Nos. beginning 1707                   |
|     | D515709   | Liner Door Seal         | Starting Serial Nos. beginning 1707                  |
| 8   | D503870LG | Door Liner Grill        | Through Serial Nos. beginning 1707                   |
|     | D503870W  | Door Liner Grill        | Starting Serial Nos. beginning 1707                  |
| 9   | D516737W  | Door Assembly           | Includes item 7; Through Serial Nos. beginning 1707  |
|     | D516509   | Liner and Seal Assembly | Includes item 7; Starting Serial Nos. beginning 1707 |
| 10  | D505870   | Screw                   |  |
| 11  | D505295   | Screw                   |  |
| 12  | D511036   | Hinge                   |  |
| 13  | D513958   | Window Clip             | Through Serial Nos. beginning 1707                   |
| 14  | 44071201  | Nut                     | Through Serial Nos. beginning 1707                   |
| 15  | D516737W  | Door Assembly           | Through Serial Nos. beginning 1707                   |
|     | D515956W  | Window Trim             | Starting Serial Nos. beginning 1707                  |
| 16  | D515681   | Dryer Door Window       |  |
| 17  | D516737W  | Door Assembly           | Includes items 1-3, 5-12, 15 and 16                  |

## Dryer Door With Window (Drawing 2 of 2)

Models ATEE9AGP435AW01, ATEE9ASG453NW36, ATEE9ASG455NW36, ATEE9ASP133DW04, ATEE9ASP433XW34, ATEE9ASP435XW34, ATEE9ASP453LW26, ATEE9ASP455LW01, ATEE9ASP543DW04, ATEE9ASP545DW04, ATEE9ASP565XW01, ATEE9AWP433AW01, ATEE9AWP435AW01, ATGE9AGP305AW01, ATGE9ASP123DW04, ATGE9ASP125DW04, ATGE9ASP303XW01, ATGE9ASP303XW26, ATGE9ASP305XW01, ATGE9ASP543DW04, ATGE9ASP545DW04, ATGE9AWP303AW01, ATGE9AWP305AW01, ATHE9ASP453NW29, ATHE9ASP455NN29, ATLE9ASP305LW01, FTEE5ASP303NW10, FTEE5ASP303ZW01, FTEE5ASP433LW01, FTGE5ASP303NW10, LTEE5ASP133FW01, LTEE5ASP303VW01, LTEE5ASP303VW37, LTEE5ASP303ZW01, LTEE5ASP333NW01, LTEE5ASP433AW01, LTEE5ASP433AW12, LTEE5ASP453VW26, LTEE5ASP543NW01, LTEE5ASP543NW23, LTEE5ASP543RW01, LTEE5ASP553KW01, LTGE5ASP113FW01, LTGE5ASP113JW01, LTGE5ASP303AW01, LTGE5ASP303AW12, LTLE5ASP303LW01, LTLE5ASP303NW35, LTLE5ASP543NW23, LTME5ASP543KW01, TTHE5ASP303NW36, TTPE5ASP303NW36, YTEE5ASP133FW01, YTEE5ASP303NW10, YTGE5ASP113FW01, YTGE5ASP303NW21, ZTHE9ASP455NN29 and ZTHE9ASP455NW29



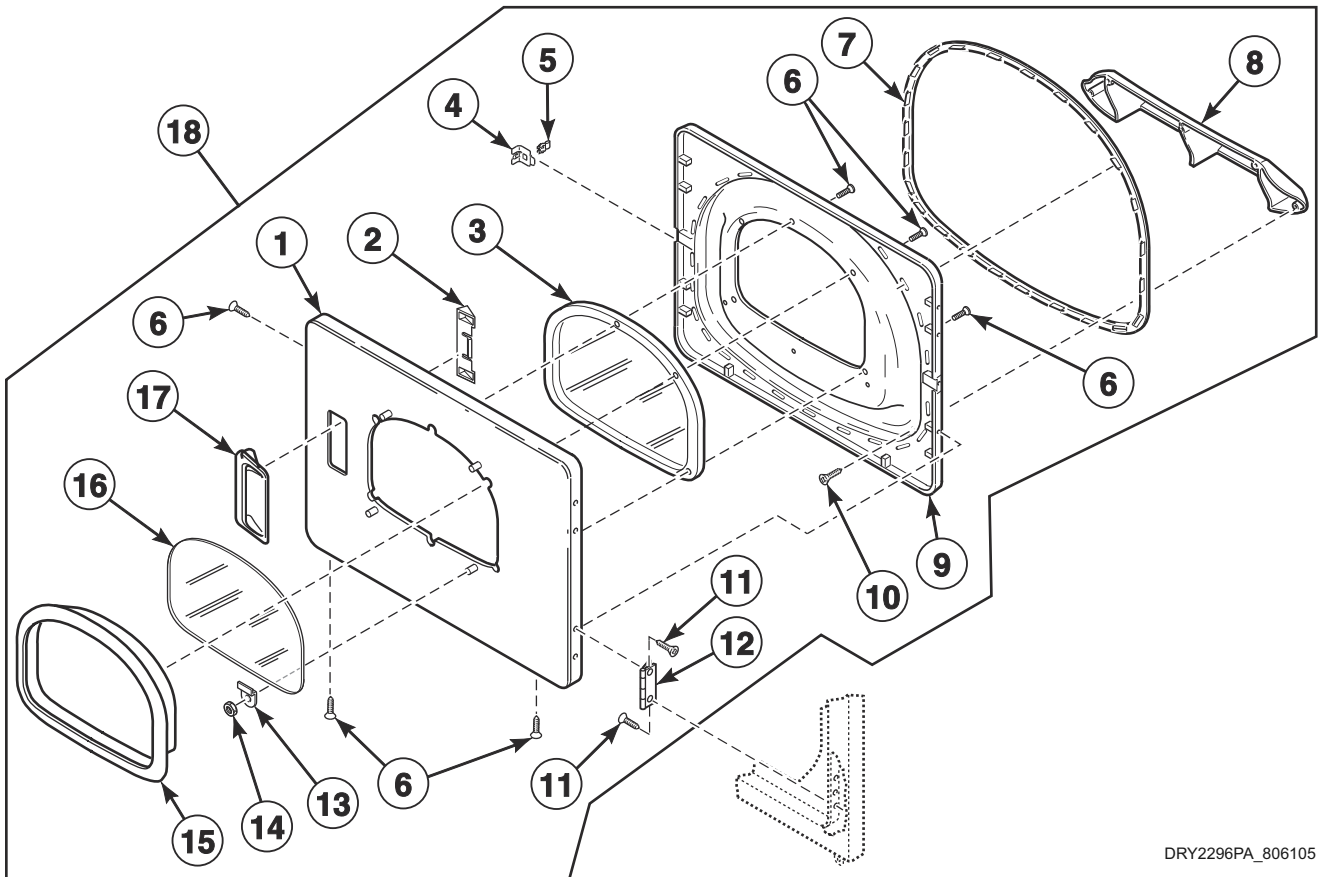
D427P\_806105

## Dryer Door With Window (Drawing 2 of 2)

| REF | PART NO.  | DESCRIPTION             | COMMENTS                               |
|-----|-----------|-------------------------|--|
| 1   | D510082WP | Dryer Door              | Through Serial No.1706999999           |
|     | D515961W  | Dryer Door              | Starting Serial No.1707000001          |
| 2   | D510129W  | Door Handle Wedge       |  |
| 3   | D503982P  | Dryer Door Window       | Through Serial No.1706999999           |
|     | D515681   | Dryer Door Window       | Starting Serial No.1707000001          |
| 4   | D510127   | Door Strike Mount       | Through Serial No.1706999999           |
| 5   | D510181   | Door Strike             |  |
| 6   | D500226   | Screw                   | Through Serial No.1706999999           |
|     | D515967   | Screw                   | Starting Serial No.1707000001          |
| 7   | D510147P  | Liner Door Seal         | Through Serial No.1706999999           |
| 8   | D503870W  | Door Liner Grill        |  |
| 9   | D516509   | Liner and Seal Assembly |  |
| 10  | D505870   | Screw                   |  |
| 11  | D505295   | Screw                   |  |
| 12  | D511036   | Hinge                   |  |
| 13  | D503981W  | Window Trim             | Through Serial No.1706999999           |
| 14  | D510103WP | Door Pull and Wedge Kit | White; Includes item 2                 |
| 15  | D516737W  | Door Assembly           | White; Includes items 1-10, 13, and 14 |

# Dryer Door With Window - Through Serial Nos. Beginning 1707

Models BTGE6ASP093CW01, BTGE6ASP113TW01, LTGA5FSP113TW01, LTGE5ASP113TW01, LTGE5ASP115TW01, UTGE5ASP113TW01, UTGE5ASP113TW08, UTGE5ASP115TW01, UTGE5ASP115TW08, YTGE5ASP093CW01, YTGE5ASP095CW01, YTGE5ASP113TW01 and YTGE5ASP115TW01



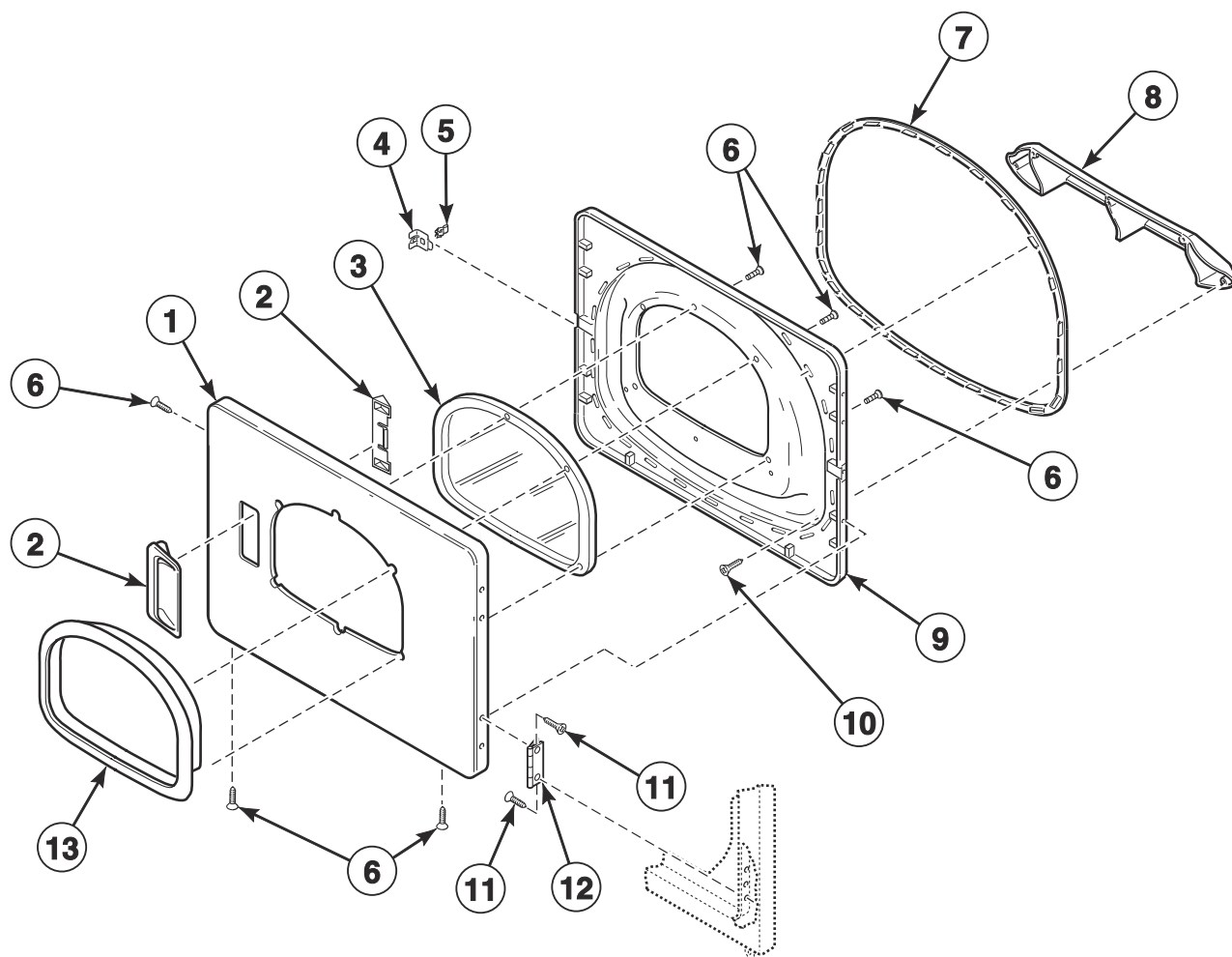
DRY2296PA\_806105

## Dryer Door With Window - Through Serial Nos. Beginning 1707

| REF | PART NO.  | DESCRIPTION             | COMMENTS   |
|-----|-----------|-------------------------|--|
| 1   | D516737W  | Door Assembly           | Starting Serial No. 1606000839                                   |
|     | D510082WP | Dryer Door              | Through Serial No. 1606000838                                    |
| 2   | D510129W  | Door Handle Wedge       |  |
| 3   | D503982P  | Dryer Door Window       |  |
| 4   | D510127   | Door Strike Mount       |  |
| 5   | D510181   | Door Strike             |  |
| 6   | D515597   | Screw                   | Starting Serial No. 1606000839                                   |
|     | D500226   | Screw                   | Through Serial No. 1606000838                                    |
| 7   | D510147P  | Liner Door Seal         |  |
| 8   | D503870LG | Door Liner Grill        | Starting Serial No. 1606000839                                   |
|     | D503870W  | Door Liner Grill        | Through Serial No. 1606000838                                    |
| 9   | D516737W  | Door Assembly           | Includes item 7; Starting Serial No. 1606000839                  |
|     | D516509   | Liner and Seal Assembly | Includes item 7; Through Serial No. 1606000838                   |
| 10  | D505870   | Screw                   |  |
| 11  | D505295   | Screw                   |  |
| 12  | D511036   | Hinge                   |  |
| 13  | D513958   | Window Clip             | Starting Serial No. 1606000839                                   |
| 14  | 44071201  | Nut                     | Starting Serial No. 1606000839                                   |
| 15  | D516737W  | Door Assembly           | Starting Serial No. 1606000839                                   |
|     | D503981W  | Window Trim             | Through Serial No. 1606000838                                    |
| 16  | D516737W  | Door Assembly           | Starting Serial No. 1606000839                                   |
| 17  | D510103WP | Door Pull and Wedge Kit | White; Includes item 2   |
| 18  | D516737W  | Door Assembly           | White; Includes items 1-10 and 17; Through Serial No. 1606000838 |

# Dryer Door With Window - Starting Serial Nos. Beginning 1707

Models BTGE6ASP093CW01, BTGE6ASP113TW01, LTGA5FSP113TW01, LTGE5ASP113TW01, LTGE5ASP115TW01, LTGE5ASP125MW01, UTGE5ASP113TW01, UTGE5ASP113TW08, UTGE5ASP115TW01, UTGE5ASP115TW08, YTGE5ASP093CW01, YTGE5ASP095CW01, YTGE5ASP113TW01 and YTGE5ASP115TW01



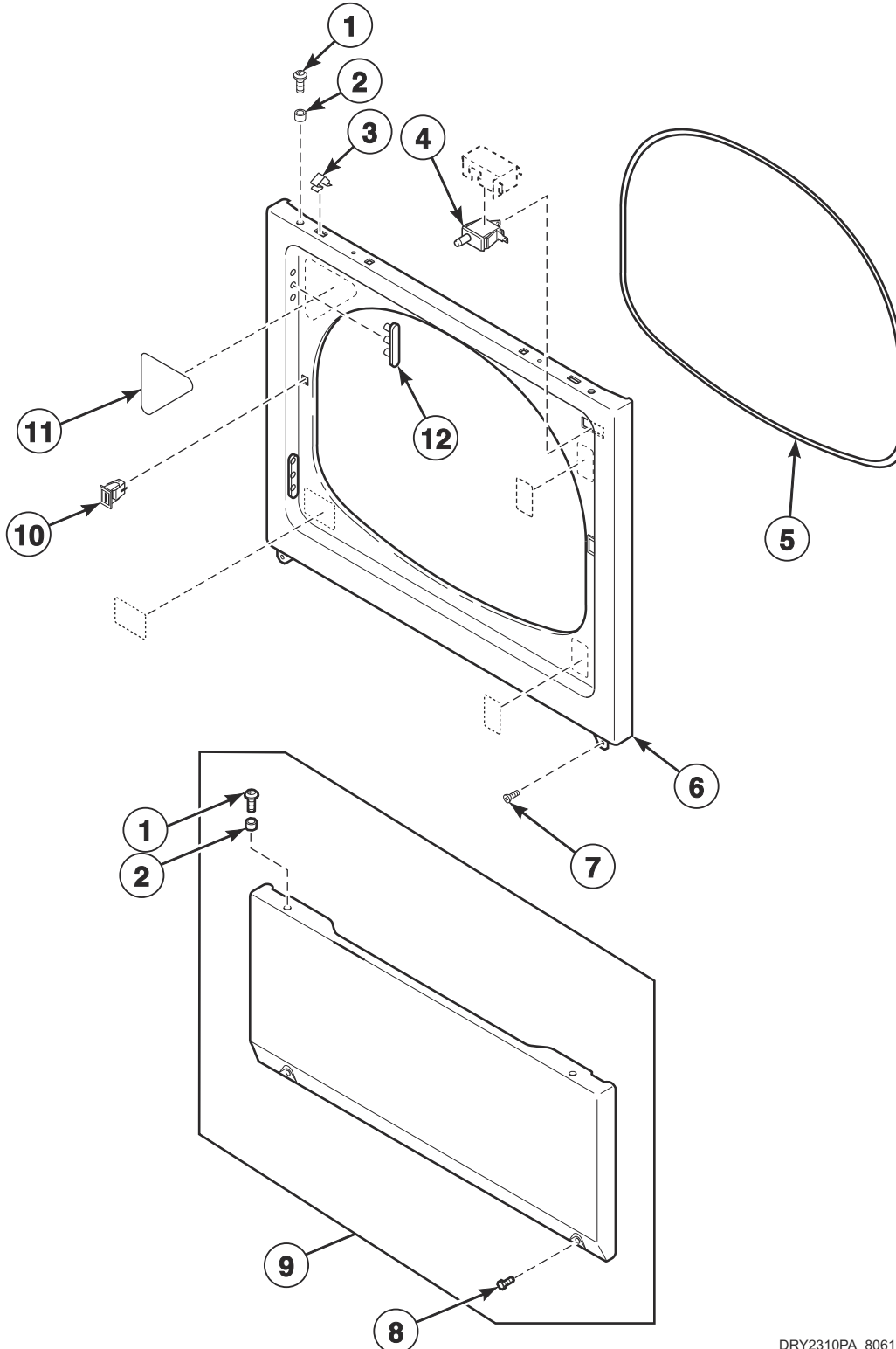
D427PA\_806105

# Dryer Door With Window - Starting Serial Nos. Beginning 1707

| REF | PART NO.  | DESCRIPTION             | COMMENTS        |
|-----|-----------|-------------------------|-----------------|
| 1   | D515961W  | Dryer Door              |                 |
| 2   | D510103WP | Door Pull and Wedge Kit |                 |
| 3   | D515681   | Dryer Door Window       |                 |
| 4   | D510127   | Door Strike Mount       |                 |
| 5   | D510181   | Door Strike             |                 |
| 6   | D515967   | Screw                   |                 |
| 7   | D515709   | Liner Door Seal         |                 |
| 8   | D503870W  | Door Liner Grill        |                 |
| 9   | D516509   | Liner and Seal Assembly | Includes item 7 |
| 10  | D505870   | Screw                   |                 |
| 11  | D505295   | Screw                   |                 |
| 12  | D511036   | Hinge                   |                 |
| 13  | D515956W  | Window Trim             |                 |

# Access Panel, Front Panel and Seal (Drawing 1 of 5)

Models ATEE9ASP283CW01, ATGE9ASP093CW01, BTEE6ASP173TW01, BTEE6ASP283CW01, BTGE6ASP093CW01, BTGE6ASP113TW01, LTEA5FSP153TW01, LTEA5FSP153TW04, LTEA5FSP173TW01, LTEA5FSP173TW04, LTEE5ASP153TW01, LTEE5ASP173TW01, LTEE5ASP283CW01, LTEE5ASP293CW01, LTGA5FSP113TW01, LTGE5ASP093CW01, LTGE5ASP113TW01, PTEE3FSP173TG01, PTEE3FSP283CG01, PTGE3FSP093CG01, PTGE3FSP113TG01, UTEE5ASP173TW01, UTEE5ASP173TW08, UTEE5ASP283CW01, UTGE5ASP113TW01, UTGE5ASP113TW08, YTEE5ASP173TW01, YTEE5ASP283CW01, YTGE5ASP093CW01 and YTGE5ASP113TW01



DRY2310PA\_806105

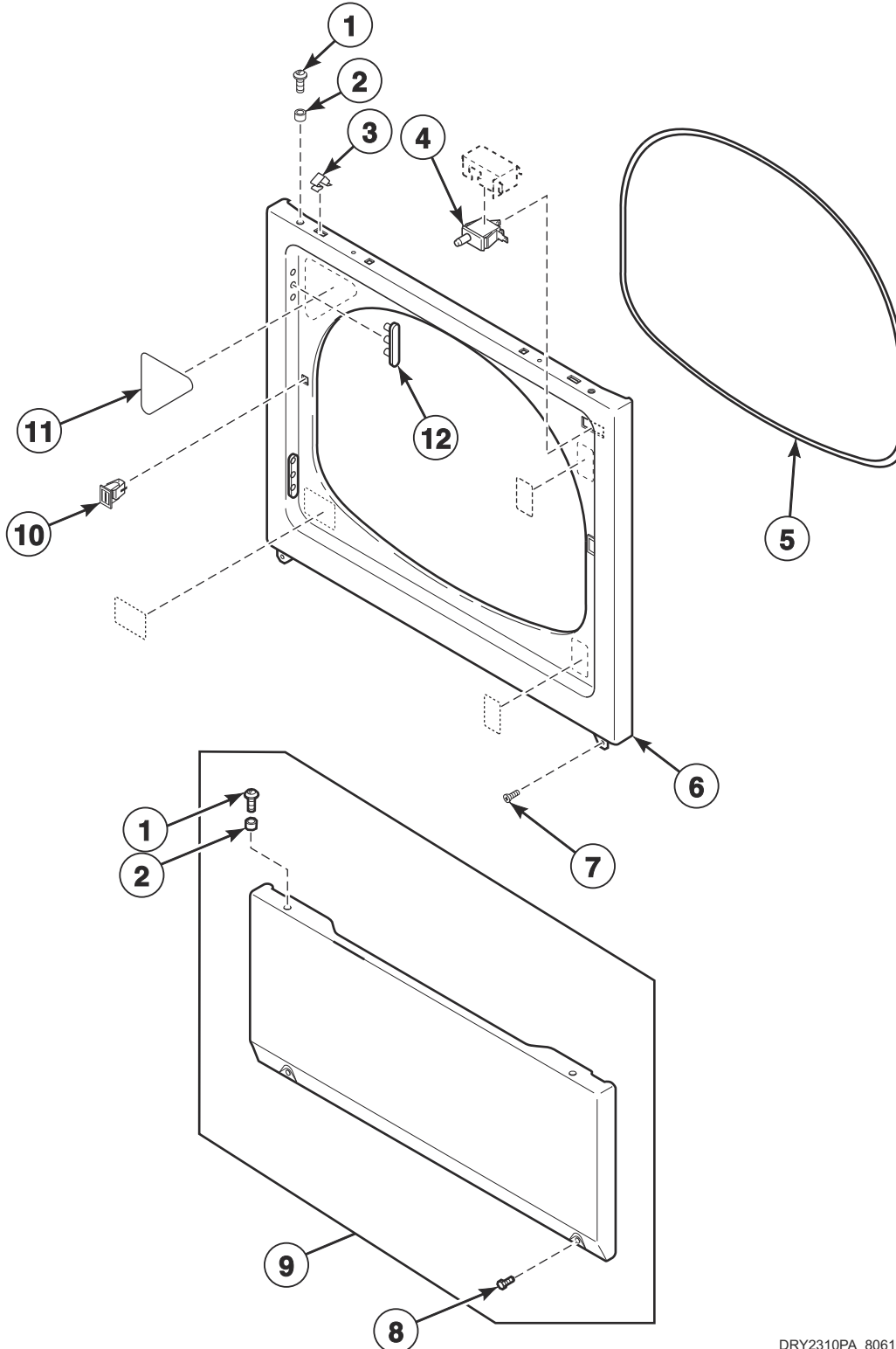


## Access Panel, Front Panel and Seal (Drawing 1 of 5)

| REF | PART NO.  | DESCRIPTION                     | COMMENTS  |
|-----|-----------|---------------------------------|---|
| 1   | 39733     | Screw                           |   |
| 2   | 56079     | Panel Locator                   |   |
| 3   | 28835     | Speed Clip                      |   |
| 4   | D512973   | Switch                          |   |
| 5   | D511056   | Front Panel Seal                |   |
| 6   | D510066WP | Front Panel                     | White   |
|     | D510066DG | Front Panel                     | Gray  |
| 7   | D503688   | Screw                           |   |
| 8   | 33562     | Screw                           |   |
| 9   | D514250WP | Access Panel Assembly           | White; Models ATEE9ASP283CW01, ATGE9ASP093CW01, BTEE6ASP173TW01, BTEE6ASP283CW01, BTGE6ASP093CW01, BTGE6ASP113TW01, LTEA5FSP153TW01, LTEA5FSP153TW04, LTEA5FSP173TW01, LTEA5FSP173TW04, LTEE5ASP153TW01, LTEE5ASP173TW01, LTEE5ASP283CW01, LTEE5ASP293CW01, LTGA5FSP113TW01, LTGE5ASP093CW01, LTGE5ASP113TW01, UTEE5ASP173TW01, UTEE5ASP173TW08, UTEE5ASP283CW01, UTGE5ASP113TW01, UTGE5ASP113TW08, YTEE5ASP173TW01, YTEE5ASP283CW01, YTGE5ASP093CW01 and YTGE5ASP113TW01 |
|     | D514252DG | Access Panel and Guard Assembly | Gray; Models PTEE3FSP173TG01, PTEE3FSP283CG01 and PTGE3FSP093CG01 through Serial Nos. beginning 1711; Model PTGE3FSP113TG01 starting Serial No. 1606000839 and continuing through Serial Nos. beginning 1711  |
|     | D514250DG | Access Panel Assembly           | Models PTEE3FSP173TG01, PTEE3FSP283CG01 and PTGE3FSP093CG01 starting Serial Nos. beginning 1711; Model PTGE3FSP113TG01 through Serial No. 1606000838 and starting again with Serial Nos. beginning 1711   |
| 10  | D510177   | Door Catch Assembly             |   |
| 11  | D500281   | Warning/Caution Label           | English   |
| 12  | D510186   | Hinge Hole Plug                 |   |

## Access Panel, Front Panel and Seal (Drawing 2 of 5)

Models ATEE9ASP285CW01, ATEE9ASP285CW14, ATEE9ASP286CW01, ATGE9ASP095CW01, ATGE9ASP095CW14, LTEE5ASP155TW01, LTEE5ASP175TW01, LTEE5ASP285CW01, LTEE5ASP295CW01, LTEE5FSP175TW01, LTEE5FSP275TW01, LTGE5ASP095CW01, LTGE5ASP115TW01, LTGE5FSP115TW01, PTEE3FSP175TG01, PTEE3FSP175TW01, PTEE3FSP285CG01, PTGE3FSP095CG01, PTGE3FSP115TG01, PTGE3FSP115TW01, UTEE5ASP175TW01, UTEE5ASP175TW08, UTEE5ASP285CW01, UTGE5ASP115TW01, UTGE5ASP115TW08, YTEE5ASP175TW01, YTEE5ASP285CW01, YTGE5ASP095CW01, YTGE5ASP115TW01, ZTEE9ASP286CW01 and ZTGE9ASP096CW01



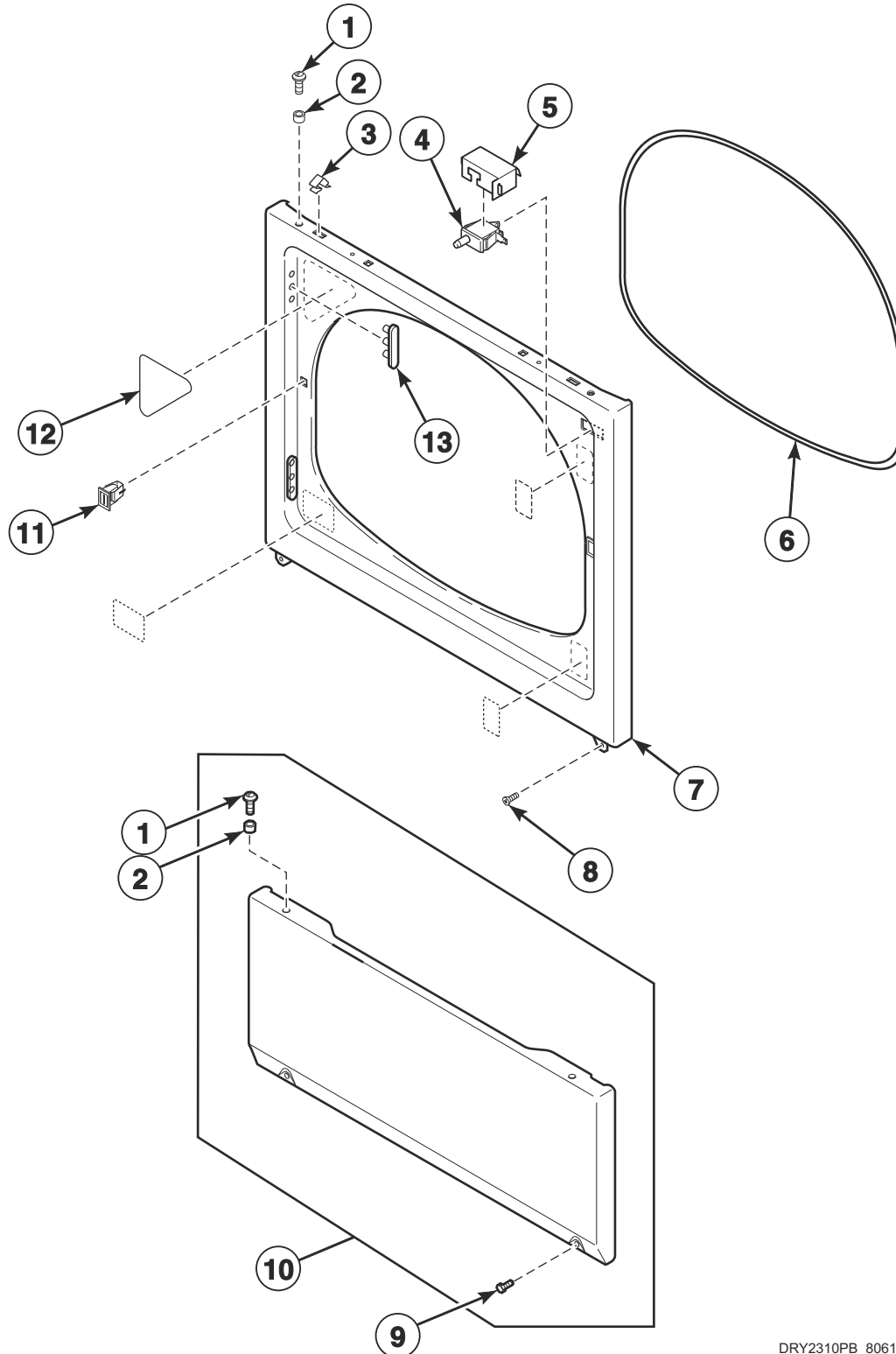
DRY2310PA\_806105

## Access Panel, Front Panel and Seal (Drawing 2 of 5)

| REF | PART NO.  | DESCRIPTION           | COMMENTS   |
|-----|-----------|-----------------------|--|
| 1   | 39733     | Screw                 |  |
| 2   | 56079     | Panel Locator         |  |
| 3   | 28835     | Speed Clip            |  |
| 4   | D512973   | Switch                |  |
| 5   | D511056   | Front Panel Seal      |  |
| 6   | D510066WP | Front Panel           | White  |
|     | D510066DG | Front Panel           | Gray   |
| 7   | D503688   | Screw                 |  |
| 8   | 33562     | Screw                 |  |
| 9   | D514250DG | Access Panel Assembly | Gray; Models PTEE3FSP175TG01,<br>PTEE3FSP285CG01, PTGE3FSP095CG01 and<br>PTGE3FSP115TG01 |
|     | D514250WP | Access Panel Assembly | White; All other models  |
| 10  | D510177   | Door Catch Assembly   |  |
| 11  | D500281   | Warning/Caution Label | English  |
| 12  | D510186   | Hinge Hole Plug       |  |

# Access Panel, Front Panel and Seal (Drawing 3 of 5)

Models ATEE9ASG453NW36, ATEE9ASG455NW36, ATEE9ASP133DN04, ATEE9ASP133DW04, ATEE9ASP433XW34, ATEE9ASP435XW34, ATEE9ASP453LW26, ATEE9ASP455LN01, ATEE9ASP455LW01, ATEE9ASP543DN04, ATEE9ASP543DW04, ATEE9ASP545DW04, ATEE9ASP565XW01, ATGE9ASP123DN04, ATGE9ASP123DW04, ATGE9ASP125DW04, ATGE9ASP303XW01, ATGE9ASP303XW26, ATGE9ASP305XW01, ATGE9ASP543DN04, ATGE9ASP543DW04, ATGE9ASP545DW04, ATHE9ASP453NW29, ATHE9ASP455NN29, ATHE9ASP455NW29, LTEE5ASP135MW01, LTGE5ASP125MW01, PTHE9ASP455NG29, ZTHE9ASP455NN29 and ZTHE9ASP455NW29



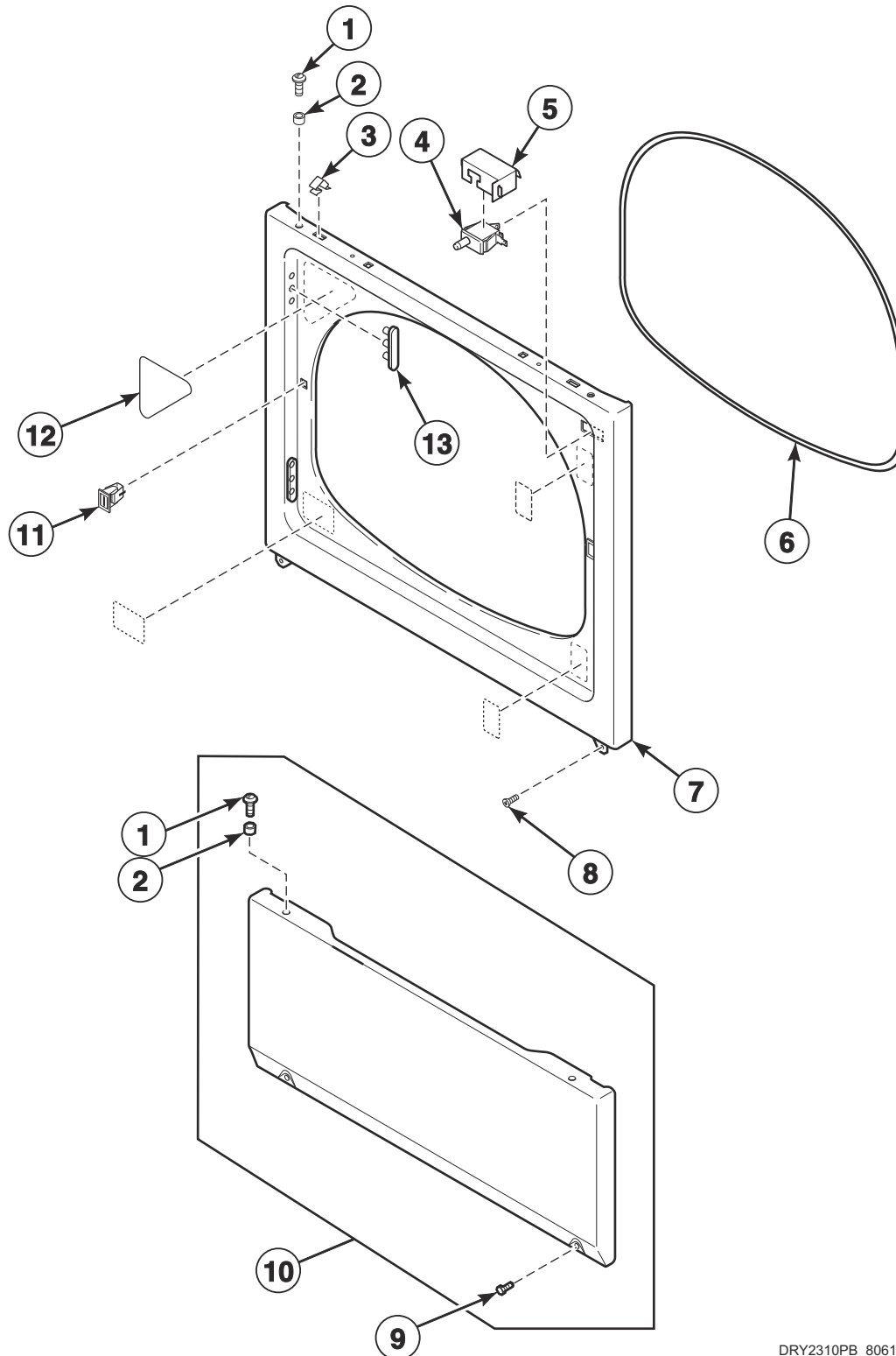
DRY2310PB\_806105

## Access Panel, Front Panel and Seal (Drawing 3 of 5)

| REF | PART NO.  | DESCRIPTION           | COMMENTS   |
|-----|-----------|-----------------------|--|
| 1   | 39733     | Screw                 | Use with painted panels  |
|     | 806276    | Screw                 | Use with stainless steel panels  |
| 2   | 56079     | Panel Locator         |  |
| 3   | 28835     | Speed Clip            |  |
| 4   | D512973   | Switch                |  |
| 5   | D514327   | Drip Shield           |  |
| 6   | D511056   | Front Panel Seal      |  |
| 7   | D510066WP | Front Panel           | White  |
|     | D510066DG | Front Panel           | Gray   |
|     | D512542   | Front Panel           | Stainless steel  |
| 8   | D503688   | Screw                 | Use with painted panels  |
|     | D512921   | Screw                 | Use with stainless steel panels  |
| 9   | 33562     | Screw                 | Use with painted panels  |
|     | D512921   | Screw                 | Use with stainless steel panels  |
| 10  | D514251   | Access Panel Assembly | Stainless steel; Models ATEE9ASP133DN04, ATEE9ASP455LN01, ATEE9ASP543DN04, ATGE9ASP123DN04, ATGE9ASP543DN04, ATHE9ASP455NN29 and ZTHE9ASP455NN29 |
|     | D514250DG | Access Panel Assembly | Gray; Model PTHE9ASP455NG29  |
|     | D514250WP | Access Panel Assembly | White; All other models  |
| 11  | D510177   | Door Catch Assembly   |  |
| 12  | D500281   | Warning/Caution Label | English  |
|     | D514226   | Warning Label         | Brazilian Portuguese   |
|     | D514867   | Warning Label         | Thai   |
|     | D514866   | Warning Label         | Japanese   |
|     | D514410   | Warning Label         | Arabic   |
|     | D514863   | Front Panel Label     | Chinese  |
|     | D514864   | Front Panel Label     | Korean   |
| 13  | D510186   | Hinge Hole Plug       |  |

# Access Panel, Front Panel and Seal (Drawing 4 of 5)

Models ATLE9ASP305LW01, FTEE5ASP303NW10, FTEE5ASP303ZW01, FTGE5ASP303NW10, LTEE5AGP133ZW30, LTEE5ASP133FW01, LTEE5ASP303WW01, LTEE5ASP303WW37, LTEE5ASP303ZW01, LTEE5ASP333NW01, LTEE5ASP453VW26, LTEE5ASP543NW01, LTEE5ASP543NW23, LTEE5ASP543RW01, LTEE5ASP553KW01, LTGE5ASP113FW01, LTGE5ASP113JW01, LTLE5ASP303LW01, LTLE5ASP303NW35, LTLE5ASP543NW23, LTME5ASP543KW01, TTHE5ASP303NW36, TTPE5ASP303NW36, YTEE5ASP133FW01, YTEE5ASP303NW10 and YTGE5ASP113FW01



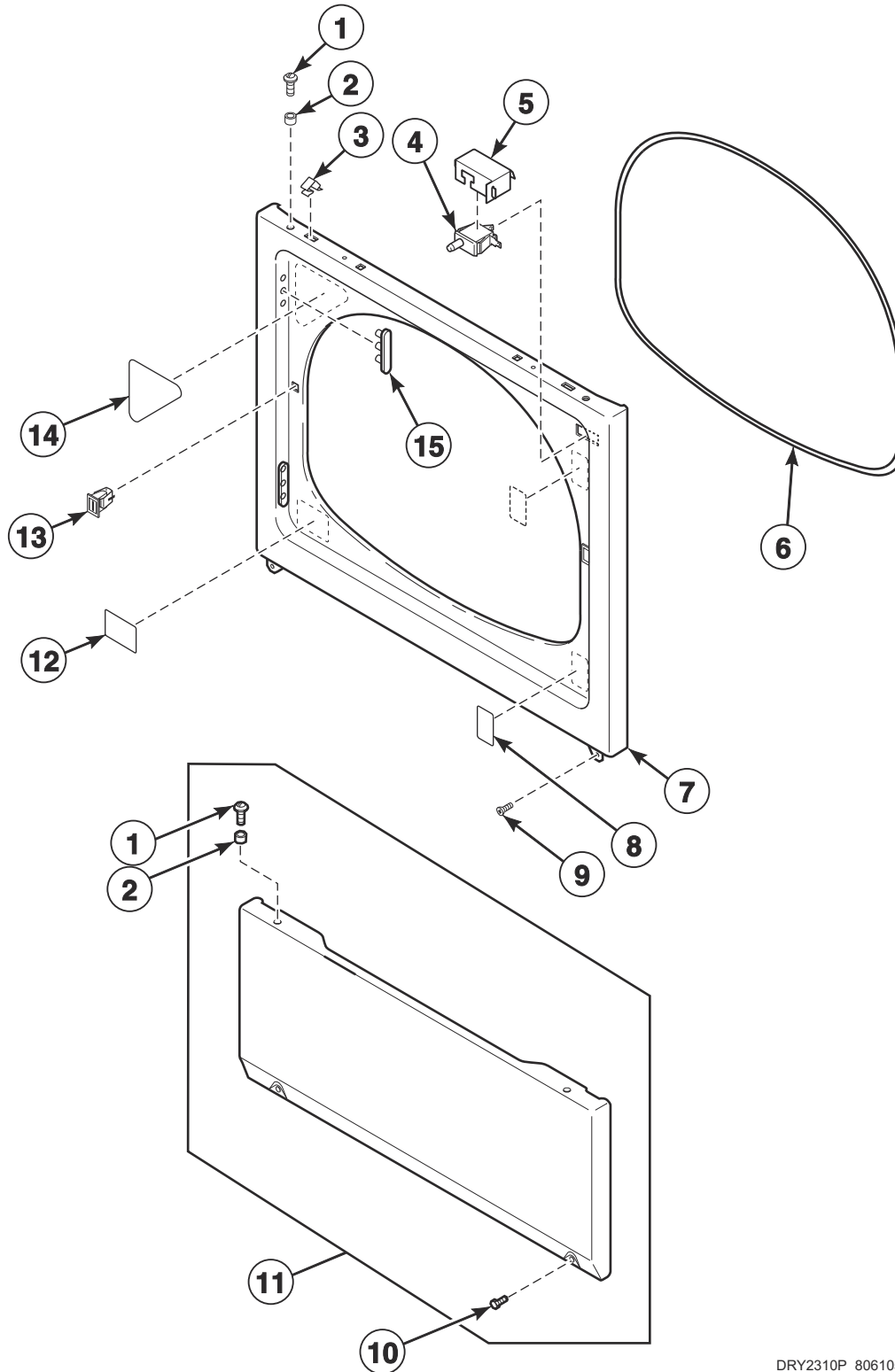
DRY2310PB\_806105

## Access Panel, Front Panel and Seal (Drawing 4 of 5)

| REF | PART NO.  | DESCRIPTION           | COMMENTS                        |
|-----|-----------|-----------------------|---------------------------------|
| 1   | 39733     | Screw                 | Use with painted panels         |
|     | 806276    | Screw                 | Use with stainless steel panels |
| 2   | 56079     | Panel Locator         |                                 |
| 3   | 28835     | Speed Clip            |                                 |
| 4   | D512973   | Switch                |                                 |
| 5   | D514327   | Drip Shield           |                                 |
| 6   | D511056   | Front Panel Seal      |                                 |
| 7   | D510066WP | Front Panel           | White                           |
|     | D510066DG | Front Panel           | Gray                            |
|     | D512542   | Front Panel           | Stainless steel                 |
| 8   | D503688   | Screw                 |                                 |
| 9   | 33562     | Screw                 |                                 |
| 10  | D517012W  | Access Panel Assembly | Model LTME5ASP543KW01           |
|     | D514250WP | Access Panel Assembly | White; All other models         |
| 11  | D510177   | Door Catch Assembly   |                                 |
| 12  | D500281   | Warning/Caution Label | English                         |
|     | D514226   | Warning Label         | Brazilian Portuguese            |
|     | D514867   | Warning Label         | Thai                            |
|     | D514866   | Warning Label         | Japanese                        |
|     | D514410   | Warning Label         | Arabic                          |
|     | D514863   | Front Panel Label     | Chinese                         |
|     | D514864   | Front Panel Label     | Korean                          |
| 13  | D510186   | Hinge Hole Plug       |                                 |

# Access Panel, Front Panel and Seal (Drawing 5 of 5)

Models ATEE9AGP435AW01, ATEE9AWP433AW01, ATEE9AWP435AW01, ATGE9AGP305AW01, ATGE9AWP303AW01, ATGE9AWP305AW01, FTGE5ASP433LW01, LTEE5ASP433AW01, LTEE5ASP433AW12, LTGE5ASP303AW01, LTGE5ASP303AW12, PTEE3FSP433AG01, PTGE3FSP303AG01 and YTGE5ASP303NW21



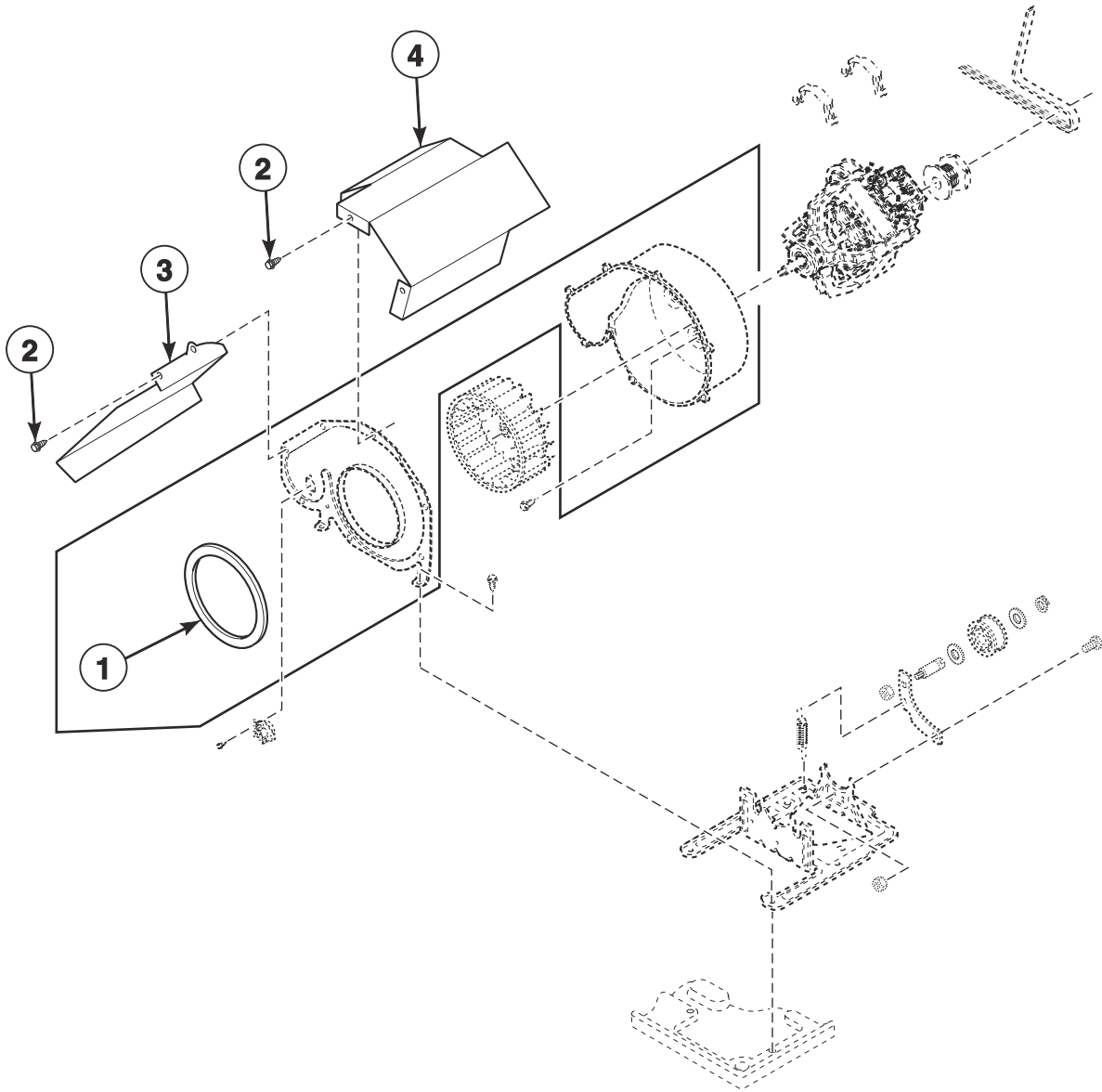
DRY2310P\_806105



## Access Panel, Front Panel and Seal (Drawing 5 of 5)

| REF | PART NO.  | DESCRIPTION           | COMMENTS                                   |
|-----|-----------|-----------------------|--|
| 1   | 39733     | Screw                 | Use with painted panels                    |
|     | 806276    | Screw                 | Use with stainless steel panels            |
| 2   | 56079     | Panel Locator         |  |
| 3   | 28835     | Speed Clip            |  |
| 4   | D512973   | Switch                |  |
| 5   | D514327   | Drip Shield           | All models except YTGE5ASP303NW21          |
| 6   | D511056   | Front Panel Seal      |  |
| 7   | D510066WP | Front Panel           | White                                      |
|     | D510066DG | Front Panel           | Gray                                       |
| 8   | D512263   | Warning Label         |  |
| 9   | D503688   | Screw                 |  |
| 10  | 33562     | Screw                 |  |
| 11  | D514250DG | Access Panel Assembly | Models PTEE3FSP433AG01 and PTGE3FSP303AG01 |
|     | D514250WP | Access Panel Assembly | White; All other models                    |
| 12  | D502804   | Lint Filter Label     |  |
| 13  | D510177   | Door Catch Assembly   |  |
| 14  | D500281   | Warning/Caution Label | English                                    |
|     | D514226   | Warning Label         | Brazilian Portuguese                       |
|     | D514867   | Warning Label         | Thai                                       |
|     | D514866   | Warning Label         | Japanese                                   |
|     | D514410   | Warning Label         | Arabic                                     |
|     | D514863   | Front Panel Label     | Chinese                                    |
|     | D514864   | Front Panel Label     | Korean                                     |
| 15  | D510186   | Hinge Hole Plug       |  |

# Blower Housing and Shields (Drawing 1 of 2)

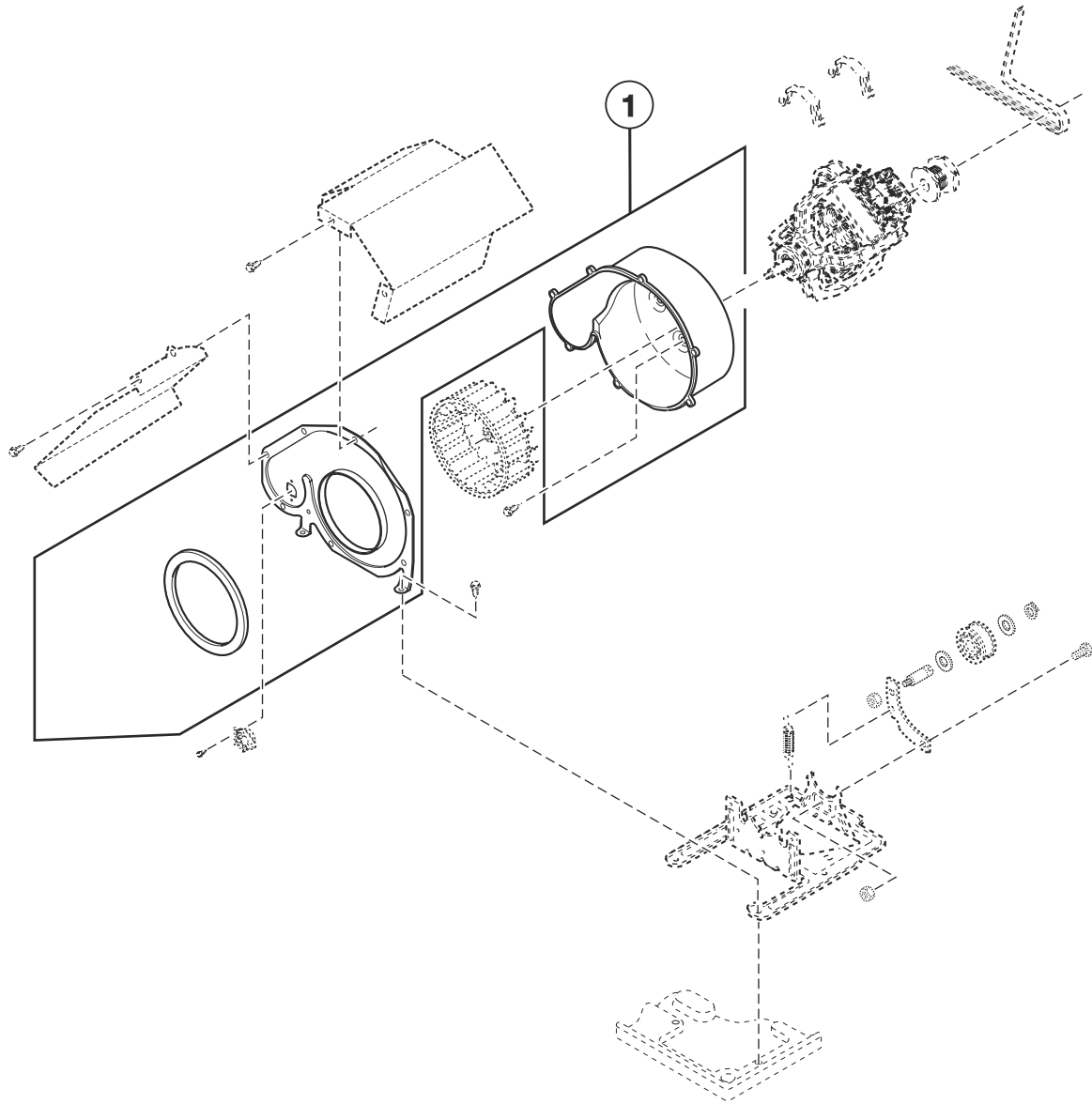


DRY2312P\_806105

## Blower Housing and Shields (Drawing 1 of 2)

| REF | PART NO. | DESCRIPTION         | COMMENTS   |
|-----|----------|---------------------|--|
| 1   | D510238P | Blower Housing Seal |  |
| 2   | 31260    | Screw               |  |
| 3   | D514325  | Thermostat Shield   | Models ATEE9AGP435AW01, ATEE9ASP133DN04, ATEE9ASP133DW04, ATEE9ASP433XW34, ATEE9ASP435XW34, ATEE9ASP453LW26, ATEE9ASP455LN01, ATEE9ASP455LW01, ATEE9ASP543DN04, ATEE9ASP543DW04, ATEE9ASP545DW04, ATEE9ASP565XW01, ATEE9AWP433AW01, ATEE9AWP435AW01, ATGE9AGP305AW01, ATGE9ASP123DN04, ATGE9ASP123DW04, ATGE9ASP303XW01, ATGE9ASP303XW26, ATGE9ASP305XW01, ATGE9ASP543DN04, ATGE9ASP543DW04, ATGE9ASP545DW04, ATGE9AWP303AW01, ATGE9AWP305AW01, ATHE9ASP453NW29, ATHE9ASP455NN29, ATHE9ASP455NW29, ATLE9ASP305LW01, FTEE5ASP303ZW01, FTEE5ASP433LW01, LTEE5AGP133ZW30, LTEE5ASP133FW01, LTEE5ASP135MW01, LTEE5ASP303WW01, LTEE5ASP303WW37, LTEE5ASP303ZW01, LTEE5ASP433AW01, LTEE5ASP433AW12, LTEE5ASP453VW26, LTEE5ASP543RW01, LTEE5ASP553KW01, LTGE5ASP113FW01, LTGE5ASP113JW01, LTGE5ASP125MW01, LTGE5ASP303AW01, LTGE5ASP303AW12, LTLE5ASP303LW01, LTME5ASP543KW01, PTEE3FSP433AG01, PTGE3FSP303AG01, PTHE9ASP455NG29, YTEE5ASP133FW01, YTGE5ASP113FW01, ZTHE9ASP455NN29 and ZTHE9ASP455NW29 |
| 4   | D514602  | Motor Shield        | Models ATEE9AGP435AW01, ATEE9ASP133DN04, ATEE9ASP133DW04, ATEE9ASP433XW34, ATEE9ASP435XW34, ATEE9ASP453LW26, ATEE9ASP455LN01, ATEE9ASP455LW01, ATEE9ASP543DN04, ATEE9ASP543DW04, ATEE9ASP545DW04, ATEE9ASP565XW01, ATEE9AWP433AW01, ATEE9AWP435AW01, ATGE9AGP305AW01, ATGE9ASP123DN04, ATGE9ASP123DW04, ATGE9ASP303XW01, ATGE9ASP303XW26, ATGE9ASP305XW01, ATGE9ASP543DN04, ATGE9ASP543DW04, ATGE9ASP545DW04, ATGE9AWP303AW01, ATGE9AWP305AW01, ATHE9ASP453NW29, ATHE9ASP455NN29, ATHE9ASP455NW29, ATLE9ASP305LW01, FTEE5ASP303ZW01, FTEE5ASP433LW01, LTEE5AGP133ZW30, LTEE5ASP133FW01, LTEE5ASP135MW01, LTEE5ASP303WW01, LTEE5ASP303WW37, LTEE5ASP303ZW01, LTEE5ASP433AW01, LTEE5ASP433AW12, LTEE5ASP453VW26, LTEE5ASP543RW01, LTEE5ASP553KW01, LTGE5ASP113FW01, LTGE5ASP113JW01, LTGE5ASP125MW01, LTGE5ASP303AW01, LTGE5ASP303AW12, LTLE5ASP303LW01, LTME5ASP543KW01, PTEE3FSP433AG01, PTGE3FSP303AG01, PTHE9ASP455NG29, YTEE5ASP133FW01, YTGE5ASP113FW01, ZTHE9ASP455NN29 and ZTHE9ASP455NW29 |

# Blower Housing and Shields (Drawing 2 of 2)

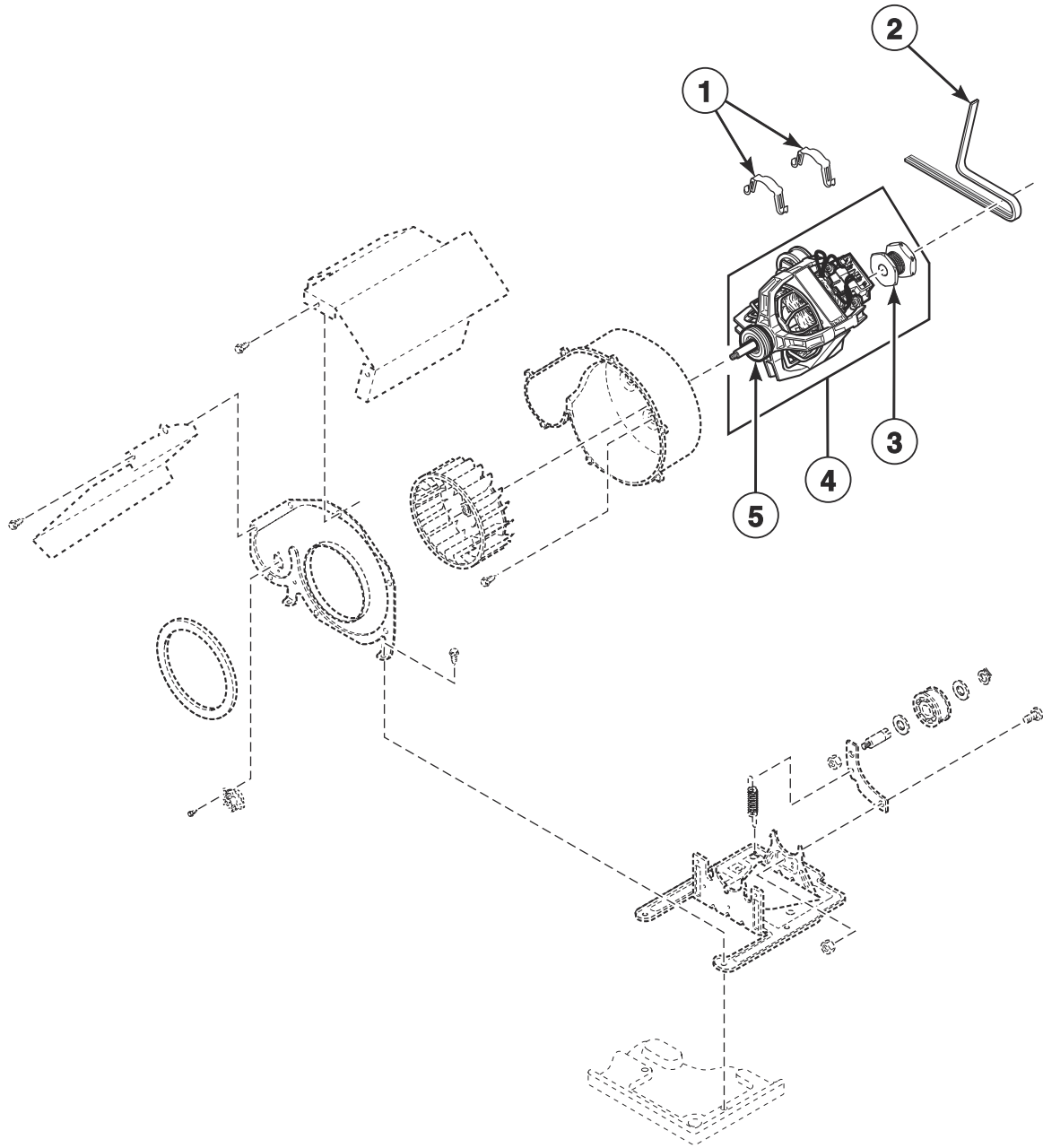


DRY2312PB\_806105

## Blower Housing and Shields (Drawing 2 of 2)

| REF | PART NO.  | DESCRIPTION    | COMMENTS  |
|-----|-----------|----------------|---|
| 1   | D511969LG | Blower Housing | Models ATEE9ASP283CW01, ATGE9ASP093CW01, BTEE6ASP173TW01, BTEE6ASP283CW01, LTEA5FSP153TW01, LTEA5FSP153TW04, LTEA5FSP173TW01, LTEA5FSP173TW04, LTEE5ASP153TW01, LTEE5ASP173TW01, LTEE5ASP283CW01, LTEE5ASP293CW01, LTGE5ASP093CW01, PTEE3FSP173TG01, PTEE3FSP283CG01, PTGE3FSP093CG01, PTGE3FSP113TG01, UTEE5ASP173TW01, UTEE5ASP173TW08, UTEE5ASP283CW01, YTEE5ASP173TW01 and YTEE5ASP283CW01 through Serial Nos. beginning 1711; Models BTGE6ASP093CW01, BTGE6ASP113TW01, LTGA5FSP113TW01, LTGE5ASP113TW01, UTGE5ASP113TW01, UTGE5ASP113TW08, YTGE5ASP093CW01 and YTGE5ASP113TW01 starting Serial No. 1606000839 and continuing through Serial Nos. beginning 1711                    |
|     | D511969WP | Blower Housing | Models ATEE9ASP283CW01, ATGE9ASP093CW01, BTEE6ASP173TW01, BTEE6ASP283CW01, LTEA5FSP153TW01, LTEA5FSP153TW04, LTEA5FSP173TW01, LTEA5FSP173TW04, LTEE5ASP153TW01, LTEE5ASP173TW01, LTEE5ASP283CW01, LTEE5ASP293CW01, LTGE5ASP093CW01, PTEE3FSP173TG01, PTEE3FSP283CG01, PTGE3FSP093CG01, PTGE3FSP113TG01, UTEE5ASP173TW01, UTEE5ASP173TW08, UTEE5ASP283CW01, YTEE5ASP173TW01 and YTEE5ASP283CW01 starting Serial Nos. beginning 1711; Models BTGE6ASP093CW01, BTGE6ASP113TW01, LTGA5FSP113TW01, LTGE5ASP113TW01, UTGE5ASP113TW01, UTGE5ASP113TW08, YTGE5ASP093CW01 and YTGE5ASP113TW01 through Serial No. 1606000838 and starting again with Serial Nos. beginning 1711; All other models |

# Motor, Exhaust Fan and Belt (Drawing 1 of 2)

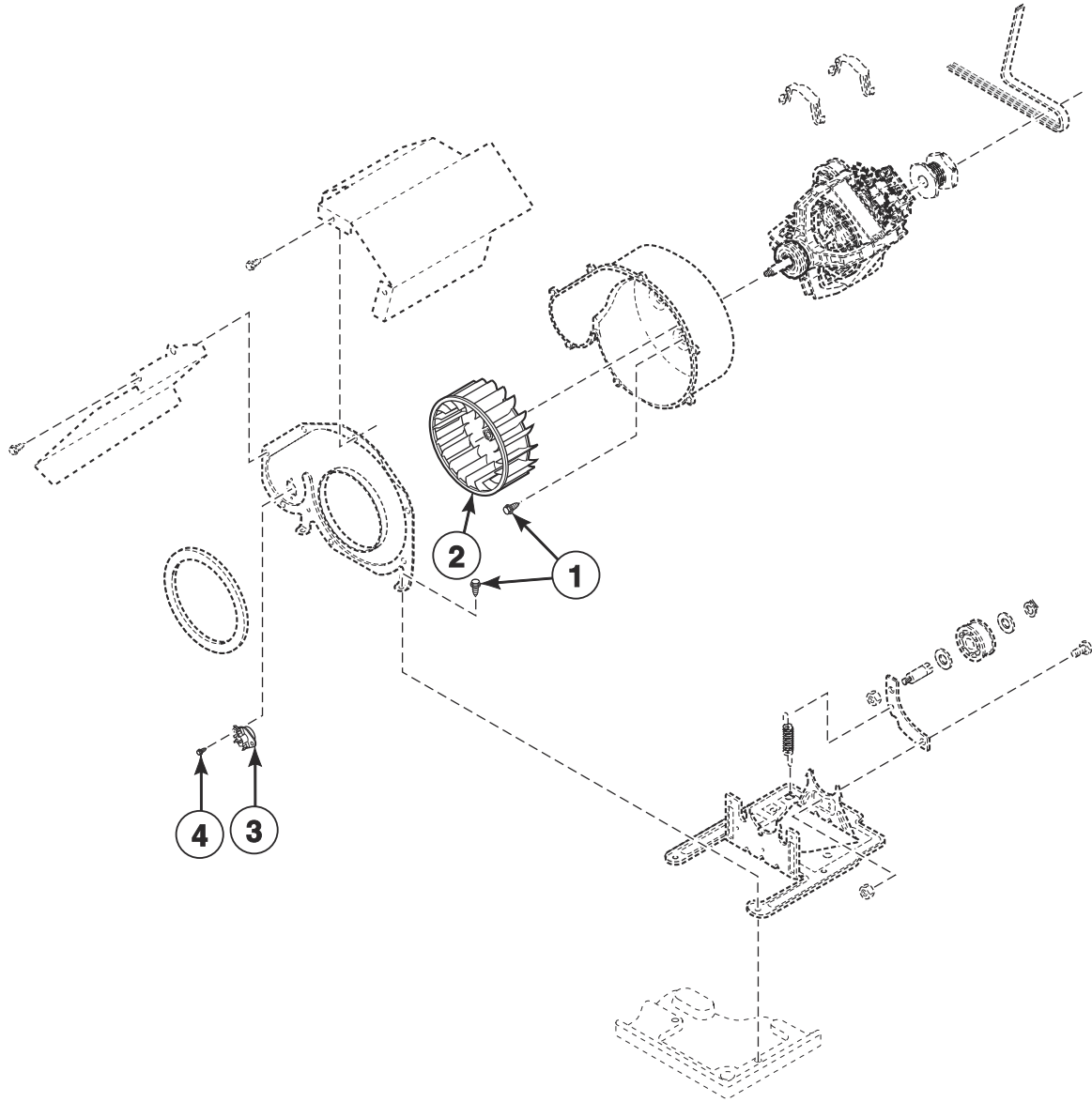


DRY2312PA\_806105

## Motor, Exhaust Fan and Belt (Drawing 1 of 2)

| REF      | PART NO. | DESCRIPTION               | COMMENTS  |
|----------|----------|---------------------------|---|
|          | 27604P   | Anti-Seize Compound       | Apply to motor shaft when installing blower fan assembly  |
| <b>1</b> | D510180  | Motor Mount Clamp         |   |
| <b>2</b> | D511255P | Cylinder Belt             |   |
| <b>3</b> | D500222  | Motor Pulley              | 50 Hertz; Models ATEE9AGP435AW01, ATEE9ASG453NW36, ATEE9ASG455NW36, ATEE9ASP433XW34, ATEE9ASP435XW34, ATEE9ASP453LW26, ATEE9ASP455LN01, ATEE9ASP455LW01, ATEE9ASP565XW01, ATEE9AWP433AW01, ATEE9AWP435AW01, ATGE9AGP305AW01, ATGE9ASP303XW01, ATGE9ASP303XW26, ATGE9ASP305XW01, ATGE9AWP303AW01, ATGE9AWP305AW01, ATHE9ASP453NW29, ATHE9ASP455NN29, ATHE9ASP455NW29, FTEE5ASP303NW10, FTEE5ASP303ZW01, FTEE5ASP433LW01, FTGE5ASP303NW10, LTEE5ASP303WW01, LTEE5ASP303WW37, LTEE5ASP303ZW01, LTEE5ASP433AW01, LTEE5ASP433AW12, LTEE5ASP453VW26, LTGE5ASP303AW01, LTGE5ASP303AW12, PTEE3FSP433AG01, PTGE3FSP303AG01, PTHE9ASP455NG29, TTHE5ASP303NW36, TTPE5ASP303NW36, YTEE5ASP303NW10, YTGE5ASP303NW21, ZTHE9ASP455NN29 and ZTHE9ASP455NW29   |
|          | D500011  | Motor Pulley              | 60 Hertz; All other models  |
| <b>4</b> | D505869P | Motor and Pulley Assembly | 240 Volt/60 Hertz; Includes items 1, 3 and 5; Apply anti-seize compound to motor shaft when installing blower fan assembly; Models ATEE9ASP133DN04, ATEE9ASP133DW04, ATEE9ASP543DN04, ATEE9ASP543DW04, ATEE9ASP545DW04, ATGE9ASP543DN04, ATGE9ASP543DW04, ATGE9ASP545DW04, LTEE5ASP133FW01, LTEE5ASP135MW01, LTEE5ASP333NW01, LTEE5ASP543NW01, LTEE5ASP543NW23, LTEE5ASP543RW01, LTEE5ASP553KW01, LTLE5ASP543NW23 and YTEE5ASP133FW01   |
|          | D505843P | Motor and Pulley Assembly | 240 Volt/50 Hertz; Includes items 1, 3 and 5; Apply anti-seize compound to motor shaft when installing blower fan assembly; Models ATEE9AGP435AW01, ATEE9ASG453NW36, ATEE9ASG455NW36, ATEE9ASP433XW34, ATEE9ASP435XW34, ATEE9ASP453LW26, ATEE9ASP455LN01, ATEE9ASP455LW01, ATEE9ASP565XW01, ATEE9AWP433AW01, ATEE9AWP435AW01, ATGE9AGP305AW01, ATGE9ASP303XW01, ATGE9ASP303XW26, ATGE9ASP305XW01, ATGE9AWP303AW01, ATGE9AWP305AW01, ATHE9ASP453NW29, ATHE9ASP455NN29, ATHE9ASP455NW29, ATLE9ASP305LW01, FTEE5ASP303NW10, FTEE5ASP303ZW01, FTEE5ASP433LW01, FTGE5ASP303NW10, LTEE5AGP133ZW30, LTEE5ASP303WW01, LTEE5ASP303WW37, LTEE5ASP303ZW01, LTEE5ASP433AW01, LTEE5ASP433AW12, LTEE5ASP453VW26, LTGE5ASP303AW01, LTGE5ASP303AW12, LTLE5ASP303LW01, LTLE5ASP303NW35, PTEE3FSP433AG01, PTGE3FSP303AG01, PTHE9ASP455NG29, TTHE5ASP303NW36, TTPE5ASP303NW36, YTEE5ASP303NW10, YTGE5ASP303NW21, ZTHE9ASP455NN29 and ZTHE9ASP455NW29 |
|          | D511629P | Motor and Pulley Assembly | 120 Volt/60 Hertz; Includes items 1, 3 and 5; Apply anti-seize compound to motor shaft when installing blower fan assembly; All other models  |
| <b>5</b> | 590P3    | Motor Hub Ring Kit        |   |

# Motor, Exhaust Fan and Belt (Drawing 2 of 2)



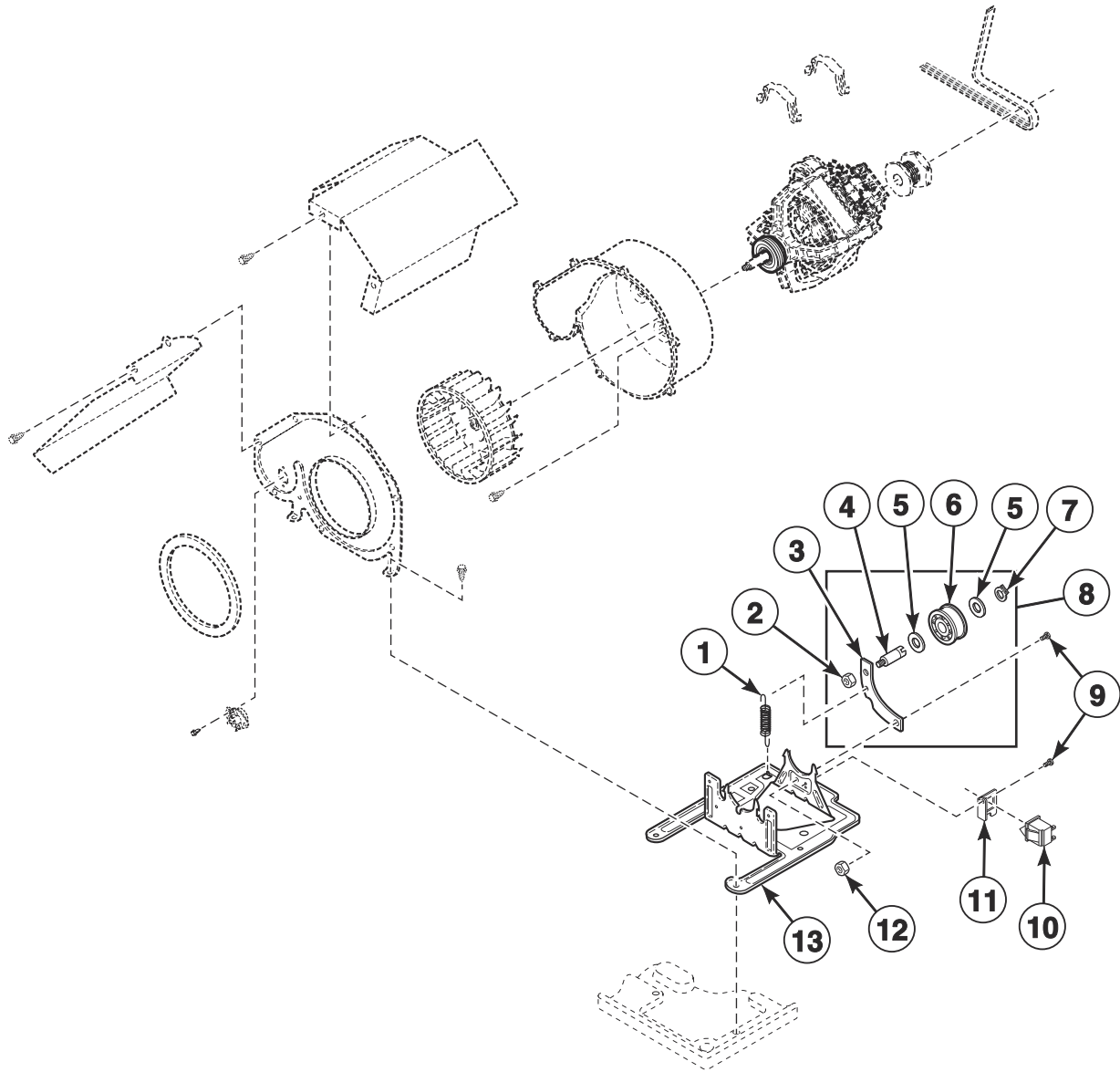
DRY2312PC\_806105



## Motor, Exhaust Fan and Belt (Drawing 2 of 2)

| REF | PART NO. | DESCRIPTION         | COMMENTS   |
|-----|----------|---------------------|--|
| 1   | D503688  | Screw               |  |
| 2   | D510139P | Blower Fan Assembly |  |
| 3   | D502366  | Thermistor Assembly | Black; Models ATEE9AGP435AW01, ATEE9ASG453NW36, ATEE9ASG455NW36, ATEE9ASP433XW34, ATEE9ASP435XW34, ATEE9ASP453LW26, ATEE9ASP455LN01, ATEE9ASP455LW01, ATEE9ASP565XW01, ATEE9AWP433AW01, ATEE9AWP435AW01, ATGE9AGP305AW01, ATGE9ASP303XW01, ATGE9ASP303XW26, ATGE9ASP305XW01, ATGE9AWP303AW01, ATGE9AWP305AW01, ATHE9ASP453NW29, ATHE9ASP455NN29, ATHE9ASP455NW29, ATLE9ASP305LW01, FTEE5ASP303NW10, FTEE5ASP303ZW01, FTEE5ASP433LW01, FTGE5ASP303NW10, LTEE5AGP133ZW30, LTEE5ASP303WW01, LTEE5ASP303WW37, LTEE5ASP303ZW01, LTEE5ASP433AW01, LTEE5ASP433AW12, LTEE5ASP453VW26, LTGE5ASP303AW01, LTGE5ASP303AW12, LTLE5ASP303LW01, LTLE5ASP303NW35, PTEE3FSP433AG01, PTGE3FSP303AG01, PTHE9ASP455NG29, TTHE5ASP303NW36, TTPE5ASP303NW36, YTEE5ASP303NW10, YTGE5ASP303NW21, ZTHE9ASP455NN29 and ZTHE9ASP455NW29 |
|     | D510523  | Thermistor Assembly | Black; All other models  |
| 4   | D502535  | Screw               |  |

# Idler Assembly

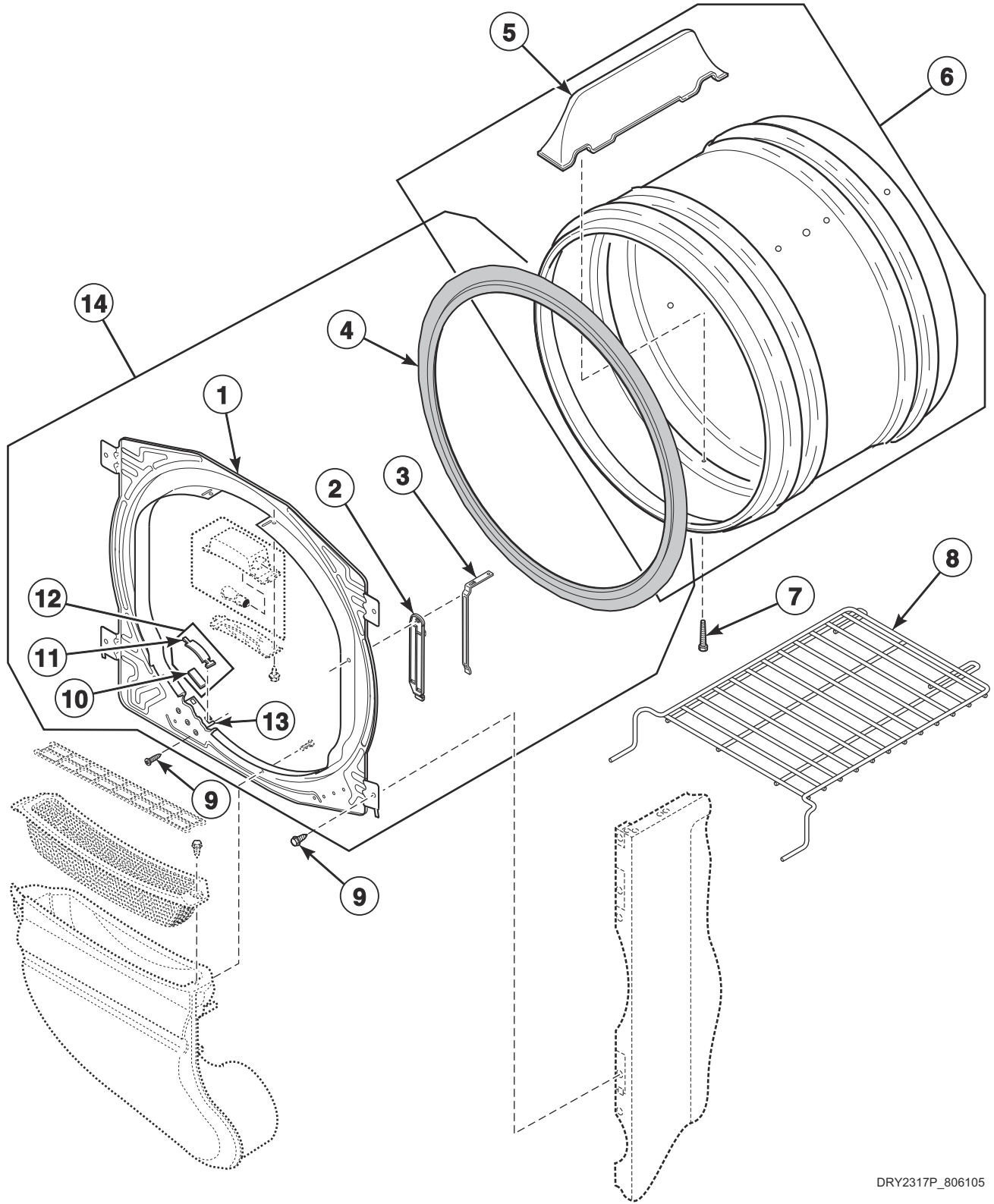


DRY2519P\_806105

# Idler Assembly

| REF | PART NO. | DESCRIPTION                      | COMMENTS           |
|-----|----------|----------------------------------|--------------------|
| 1   | D510185  | Idler Spring                     |                    |
| 2   | 56156    | Nut                              |                    |
| 3   | D516310  | Idler Lever                      |                    |
| 4   | 56461P   | Shaft                            |                    |
| 5   | 52549    | Washer                           |                    |
| 6   | D510142P | Idler Wheel and Bearing Assembly |                    |
| 7   | 23748    | Retaining Ring                   |                    |
| 8   | D516792  | Idler Lever and Wheel Assembly   | Includes items 2-7 |
| 9   | D500824  | Screw                            |                    |
| 10  | D516391  | Switch                           |                    |
| 11  | D516311  | Motor Switch Bracket             |                    |
| 12  | 52566    | Nut                              |                    |
| 13  | D518517  | Motor Mount                      |                    |

# Front Bulkhead, Felt Seal and Cylinder



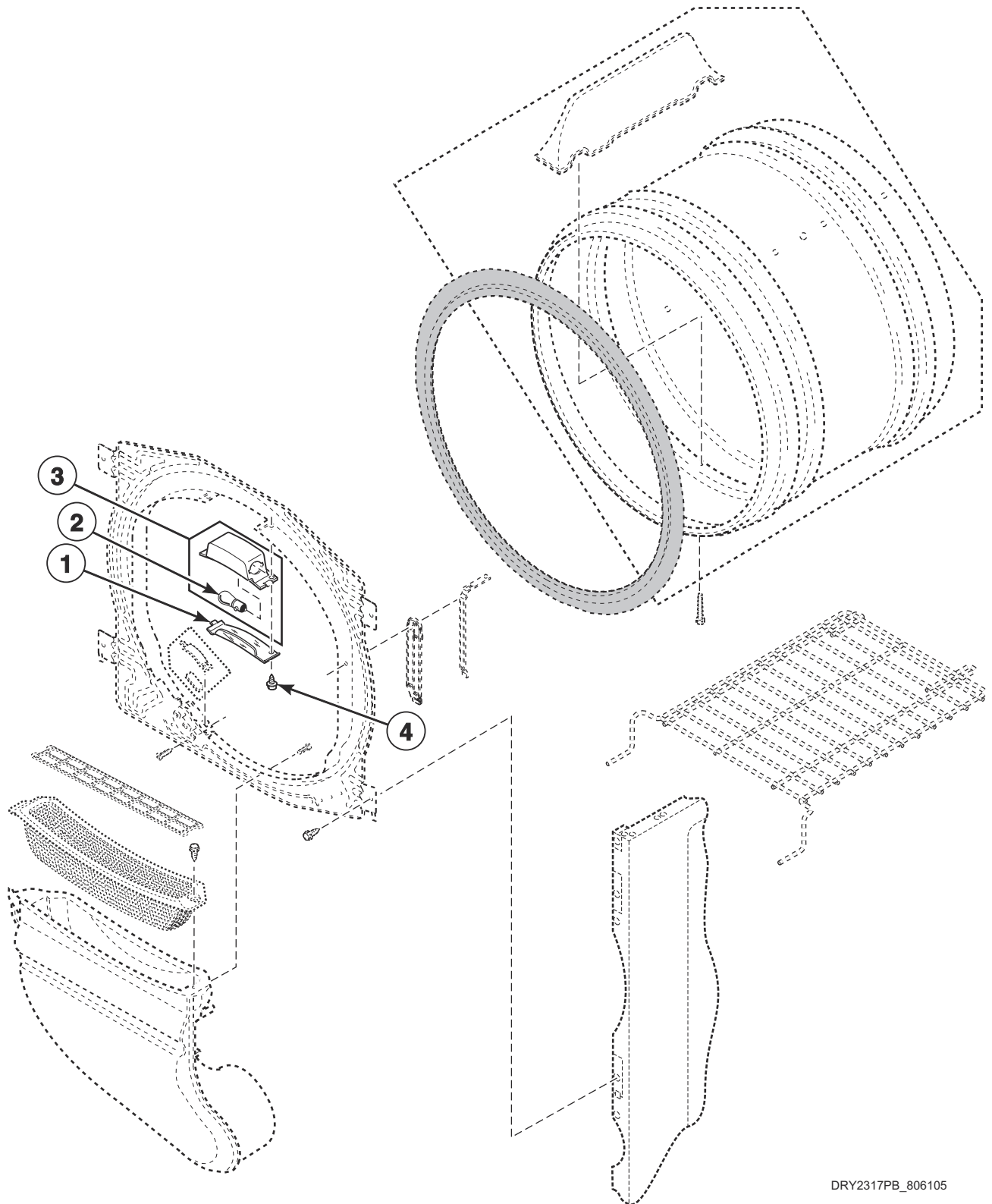
DRY2317P\_806105

## Front Bulkhead, Felt Seal and Cylinder

| REF | PART NO.   | DESCRIPTION             | COMMENTS   |
|-----|------------|-------------------------|--|
| 1   | D505899WP  | Bulkhead Assembly       | White; Includes items 4 and 10-13; Models ATEE9AGP435AW01, ATEE9AWP433AW01, ATEE9AWP435AW01, ATGE9AGP305AW01, ATGE9AWP303AW01 and ATGE9AWP305AW01  |
|     | D515532P   | Front Bulkhead Assembly | Model UTEE5ASP175TW01  |
|     | D517573    | Front Bulkhead          | Galvanized; Models ATHE9ASP455NW29 and PTHE9ASP455NG29   |
| 2   | D513738    | Moisture Sensor Base    |  |
| 3   | D513737    | Bar Sensor              | 2 required   |
| 4   | D510207P   | Cylinder Seal Assembly  |  |
|     | D511637P   | Adhesive                | Apply to cylinder seal   |
|     | RB170001   | Seal Kit                | Includes 2 cylinder seals, 510238P Blower Housing Seal and D511637P Adhesive   |
| 5   | D510102LG  | Cylinder Baffle         | 3 required; Light gray; Models ATEE9ASP133DN04, ATEE9ASP455LN01, ATEE9ASP543DN04, ATGE9ASP123DN04, ATGE9ASP543DN04, ATHE9ASP455NN29 and ZTHE9ASP455NN29  |
|     | D510102W   | Cylinder Baffle         | 3 required; All other models   |
| 6   | D510265LGP | Cylinder Assembly       | Galvanized; Models ATEE9ASP133DN04, ATEE9ASP455LN01, ATEE9ASP543DN04, ATGE9ASP123DN04, ATGE9ASP543DN04, ATHE9ASP455NN29 and ZTHE9ASP455NN29  |
|     | D510265WP  | Cylinder Assembly       | Galvanized; Includes item 3; All other models  |
| 7   | 62588      | Screw                   |  |
| 8   | D512082P   | Drying Rack             |  |
| 9   | D503688    | Screw                   |  |
| 10  | D510189    | Felt Pad                | 2 required   |
| 11  | D513710    | Cylinder Glide          | 2 required   |
| 12  | RB170003   | Glide Kit               | Includes items 10 and 11   |
| 13  | D510145    | Cylinder Glide Bracket  | 2 required   |
| 14  | D515534P   | Front Bulkhead Assembly | Galvanized; Includes items 1-4, and 10-13; Models ATEE9ASP433XW34, ATEE9ASP435XW34, ATEE9ASP453LW26, ATEE9ASP455LN01, ATEE9ASP455LW01, ATEE9ASP543DN04, ATEE9ASP543DW04, ATEE9ASP545DW04, ATEE9ASP565XW01, ATGE9ASP303XW01, ATGE9ASP303XW26, ATGE9ASP305XW01, ATGE9ASP543DN04, ATGE9ASP543DW04, ATGE9ASP545DW04, ATHE9ASP453NW29, ATHE9ASP455NN29, ATHE9ASP455NW29, PTHE9ASP455NG29, ZTHE9ASP455NN29 and ZTHE9ASP455NW29 |
|     | D515533P   | Front Bulkhead Assembly | Galvanized; Includes items 1-4, and 10-13; Models ATEE9ASP133DN04, ATEE9ASP133DW04, ATEE9ASP433XW34, ATEE9ASP435XW34, ATEE9ASP453LW26, ATEE9ASP455LN01, ATEE9ASP455LW01, ATEE9ASP543DN04, ATEE9ASP543DW04, ATEE9ASP545DW04, ATEE9ASP565XW01, ATGE9ASP123DN04, ATGE9ASP123DW04, ATGE9ASP125DW04, ATGE9ASP303XW01, ATGE9ASP303XW26, ATGE9ASP305XW01, ATGE9ASP543DN04, ATGE9ASP543DW04, ATGE9ASP545DW04 and ATLE9ASP305LW01 |
|     | D515532P   | Front Bulkhead Assembly | Includes items 1-4 and 10-13; All other models   |

# Cylinder Light (Drawing 1 of 2)

Models ATEE9AGP435AW01, ATEE9ASG453NW36, ATEE9ASG455NW36, ATEE9ASP133DN04, ATEE9ASP133DW04, ATEE9ASP283CW01, ATEE9ASP285CW01, ATEE9ASP285CW14, ATEE9ASP286CW01, ATEE9ASP433XW34, ATEE9ASP435XW34, ATEE9ASP453LW26, ATEE9ASP455LN01, ATEE9ASP455LW01, ATEE9ASP543DN04, ATEE9ASP543DW04, ATEE9ASP545DW04, ATEE9ASP565XW01, ATEE9AWP433AW01, ATEE9AWP435AW01, ATLE9ASP305LW01 and ZTEE9ASP286CW01



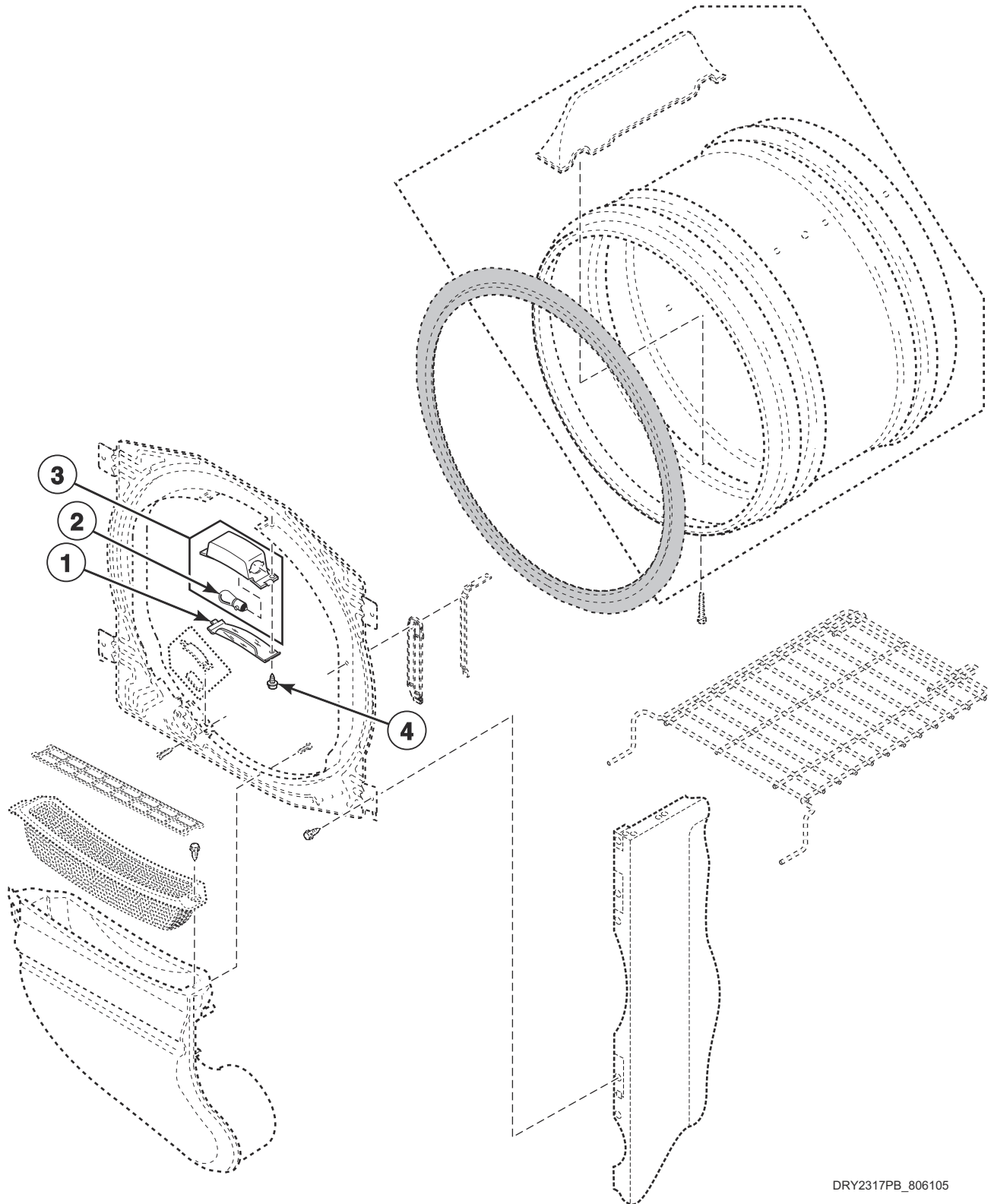
DRY2317PB\_806105

## Cylinder Light (Drawing 1 of 2)

| REF | PART NO. | DESCRIPTION             | COMMENTS   |
|-----|----------|-------------------------|--|
| 1   | D512106  | Cylinder Light Lens     |  |
| 2   | D503579  | Drum Light Lamp         | Models ATEE9AGP435AW01, ATEE9ASG453NW36, ATEE9ASG455NW36, ATEE9ASP433XW34, ATEE9ASP435XW34, ATEE9ASP453LW26, ATEE9ASP455LN01, ATEE9ASP455LW01, ATEE9ASP543DN04, ATEE9ASP543DW04, ATEE9ASP545DW04, ATEE9ASP565XW01, ATEE9AWP433AW01 and ATEE9AWP435AW01   |
|     | 60954    | Drum Light Lamp         | Models ATEE9ASP133DN04, ATEE9ASP133DW04, ATEE9ASP283CW01, ATEE9ASP285CW01, ATEE9ASP285CW14, ATEE9ASP286CW01 and ZTEE9ASP286CW01  |
| 3   | D512108  | Light Housing Assembly  | 120 Volt; Includes item 2; Models ATEE9ASP133DN04, ATEE9ASP133DW04, ATEE9ASP283CW01, ATEE9ASP285CW01, ATEE9ASP285CW14, ATEE9ASP286CW01 and ZTEE9ASP286CW01   |
|     | D512109  | Cylinder Light Assembly | 240 Volt; Includes item 2; Models ATEE9AGP435AW01, ATEE9ASG453NW36, ATEE9ASG455NW36, ATEE9ASP433XW34, ATEE9ASP435XW34, ATEE9ASP453LW26, ATEE9ASP455LN01, ATEE9ASP455LW01, ATEE9ASP543DN04, ATEE9ASP543DW04, ATEE9ASP545DW04, ATEE9ASP565XW01, ATEE9AWP433AW01, ATEE9AWP435AW01 and ATEE9ASP305LW01 |
| 4   | D500227  | Screw                   |  |

## Cylinder Light (Drawing 2 of 2)

Models ATGE9AGP305AW01, ATGE9ASP093CW01, ATGE9ASP095CW01, ATGE9ASP095CW14, ATGE9ASP123DN04, ATGE9ASP123DW04, ATGE9ASP125DW04, ATGE9ASP303XW01, ATGE9ASP303XW26, ATGE9ASP305XW01, ATGE9ASP543DN04, ATGE9ASP543DW04, ATGE9ASP545DW04, ATGE9AWP303AW01, ATGE9AWP305AW01, ATHE9ASP453NW29, ATHE9ASP455NN29, ATHE9ASP455NW29, PTHE9ASP455NG29, ZTGE9ASP096CW01, ZTHE9ASP455NN29 and ZTHE9ASP455NW29



DRY2317PB\_806105

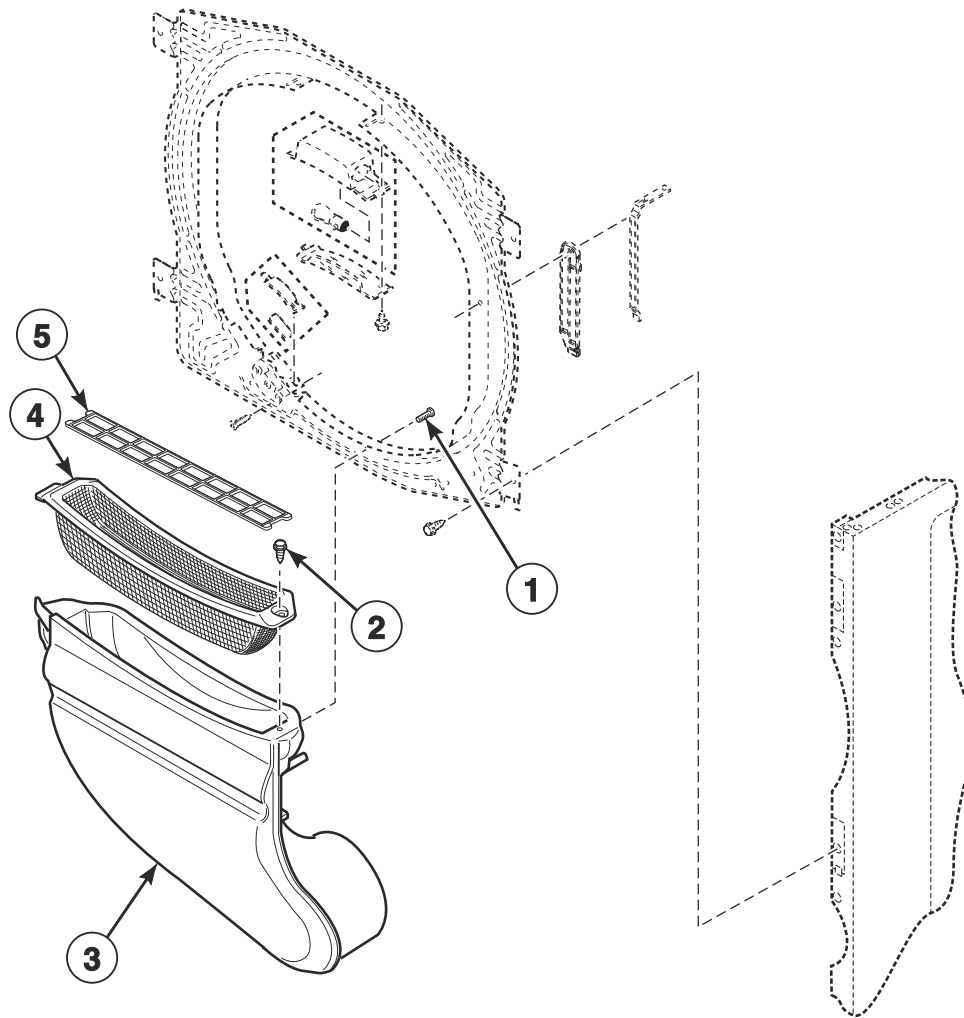


## Cylinder Light (Drawing 2 of 2)

| REF | PART NO. | DESCRIPTION             | COMMENTS   |
|-----|----------|-------------------------|--|
| 1   | D512106  | Cylinder Light Lens     |  |
| 2   | D503579  | Drum Light Lamp         | Models ATGE9AGP305AW01, ATGE9ASP303XW01, ATGE9ASP303XW26, ATGE9ASP305XW01, ATGE9ASP543DN04, ATGE9ASP543DW04, ATGE9ASP545DW04, ATGE9AWP303AW01, ATGE9AWP305AW01, ATHE9ASP453NW29, ATHE9ASP455NN29, ATHE9ASP455NW29, PTHE9ASP455NG29, ZTHE9ASP455NN29 and ZTHE9ASP455NW29                            |
|     | 60954    | Drum Light Lamp         | Models ATGE9ASP093CW01, ATGE9ASP095CW01, ATGE9ASP095CW14, ATGE9ASP123DN04, ATGE9ASP123DW04, ATGE9ASP125DW04 and ZTGE9ASP096CW01  |
| 3   | D512108  | Light Housing Assembly  | 120 Volt; Includes item 2; Models ATGE9ASP093CW01, ATGE9ASP095CW01, ATGE9ASP095CW14, ATGE9ASP123DN04, ATGE9ASP123DW04, ATGE9ASP125DW04 and ZTGE9ASP096CW01   |
|     | D512109  | Cylinder Light Assembly | 240 Volt; Includes item 2; Models ATGE9AGP305AW01, ATGE9ASP303XW01, ATGE9ASP303XW26, ATGE9ASP305XW01, ATGE9ASP543DN04, ATGE9ASP543DW04, ATGE9ASP545DW04, ATGE9AWP303AW01, ATGE9AWP305AW01, ATHE9ASP453NW29, ATHE9ASP455NN29, ATHE9ASP455NW29, PTHE9ASP455NG29, ZTHE9ASP455NN29 and ZTHE9ASP455NW29 |
| 4   | D500227  | Screw                   |  |

# Air Duct (Drawing 1 of 3)

Models ATEE9ASP283CW01, ATEE9ASP285CW01, ATEE9ASP285CW14, ATEE9ASP286CW01, ATGE9ASP093CW01, ATGE9ASP095CW01, ATGE9ASP095CW14, BTEE6ASP173TW01, BTEE6ASP283CW01, LTEA5FSP153TW01, LTEA5FSP153TW04, LTEA5FSP173TW01, LTEA5FSP173TW04, LTEE5ASP135MW01, LTEE5ASP153TW01, LTEE5ASP155TW01, LTEE5ASP173TW01, LTEE5ASP175TW01, LTEE5ASP283CW01, LTEE5ASP285CW01, LTEE5ASP293CW01, LTEE5ASP295CW01, LTEE5FSP175TW01, LTEE5FSP275TW01, LTGE5ASP093CW01, LTGE5ASP095CW01, LTGE5ASP115TW01, LTGE5ASP125MW01, LTGE5FSP115TW01, PTEE3FSP173TG01, PTEE3FSP175TG01, PTEE3FSP175TW01, PTEE3FSP283CG01, PTEE3FSP285CG01, PTGE3FSP093CG01, PTGE3FSP095CG01, PTGE3FSP115TG01, PTGE3FSP115TW01, UTEE5ASP173TW01, UTEE5ASP173TW08, UTEE5ASP175TW01, UTEE5ASP175TW08, UTEE5ASP283CW01, UTEE5ASP285CW01, UTGE5ASP115TW01, UTGE5ASP115TW08, YTEE5ASP173TW01, YTEE5ASP175TW01, YTEE5ASP283CW01, YTEE5ASP285CW01, YTGE5ASP095CW01, YTGE5ASP115TW01, ZTEE9ASP286CW01 and ZTGE9ASP096CW01



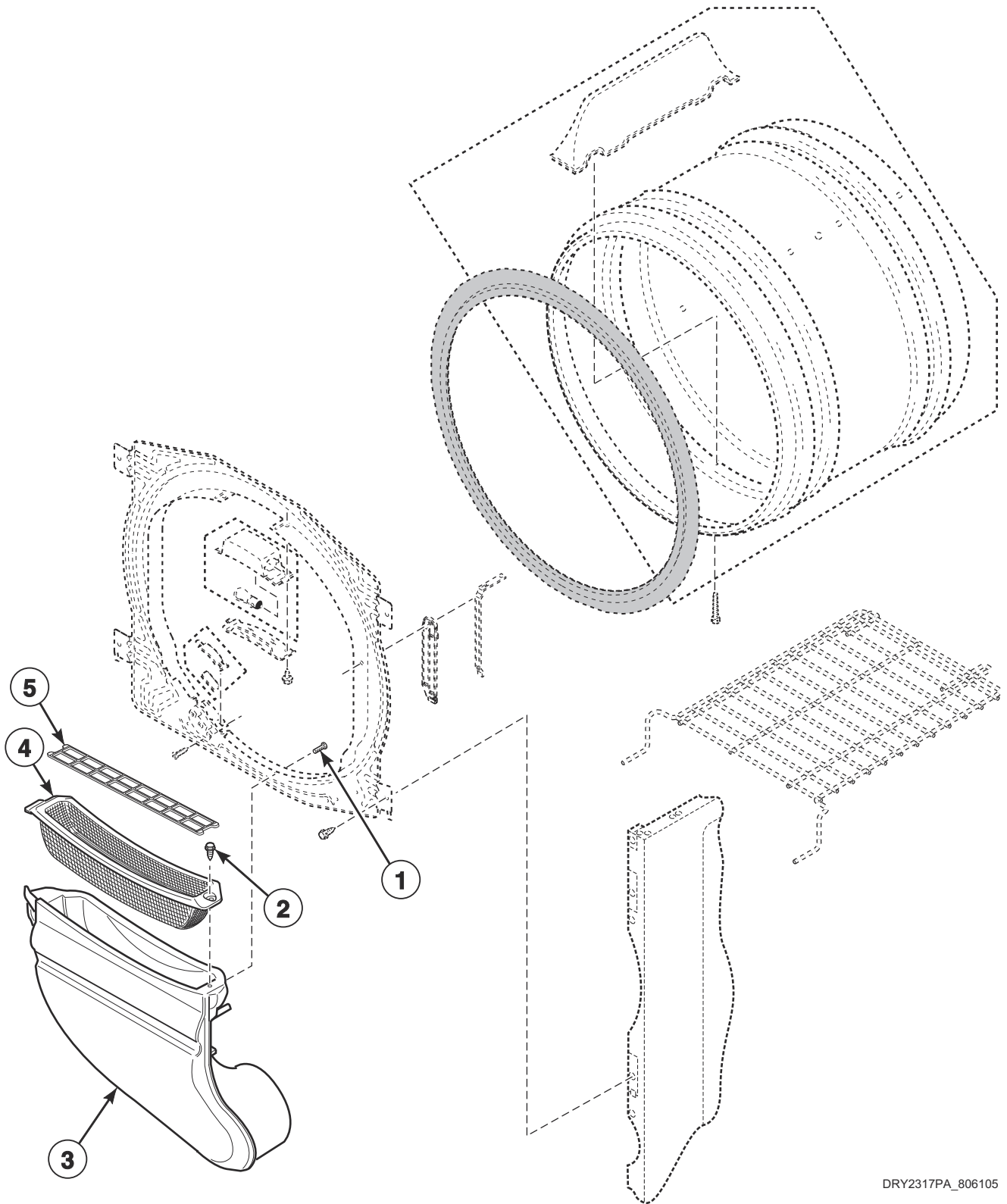
DRY2496P\_806105

## Air Duct (Drawing 1 of 3)

| REF | PART NO.  | DESCRIPTION       | COMMENTS                                       |
|-----|-----------|-------------------|--|
| 1   | D501086   | Screw             |  |
| 2   | D501285   | Screw             |  |
| 3   | D518431   | Air Duct Assembly | Models LTEE5ASP135MW01 and LTGE5ASP125MW01     |
|     | D518433   | Air Duct Assembly | All other models                               |
| 4   | D503980LG | Lint Filter       | Light gray; Through Serial Nos. beginning 1711 |
|     | D503980W  | Lint Filter       | White; Starting Serial Nos. beginning 1711     |
| 5   | D510502LG | Lint Filter Cover |  |

# Air Duct (Drawing 2 of 3)

Models BTGE6ASP093CW01, BTGE6ASP113TW01, LTGA5FSP113TW01, LTGE5ASP113TW01, PTGE3FSP113TG01, UTGE5ASP113TW01, UTGE5ASP113TW08, YTGE5ASP093CW01 and YTGE5ASP113TW01



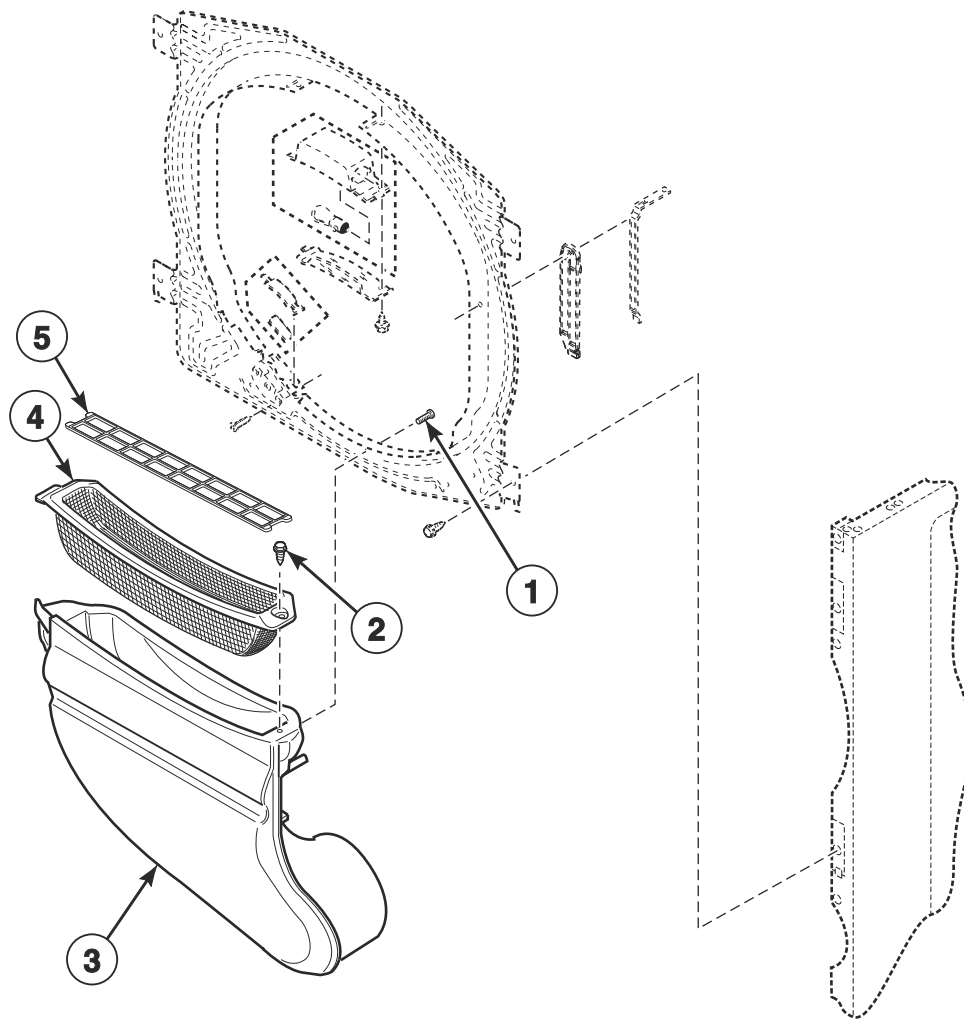
DRY2317PA\_806105

## Air Duct (Drawing 2 of 3)

| REF | PART NO.  | DESCRIPTION       | COMMENTS   |
|-----|-----------|-------------------|--|
| 1   | D501086   | Screw             |  |
| 2   | D501285   | Screw             |  |
| 3   | D518432   | Air Duct Assembly | Through Serial No. 1606000838  |
|     | D518433   | Air Duct Assembly | Starting Serial No. 1606000839   |
| 4   | D503980LG | Lint Filter       | Light gray; Starting Serial No. 1606000839 and continuing through Serial Nos. beginning 1711 |
|     | D503980W  | Lint Filter       | White; Through Serial No. 1606000838 and starting again with Serial Nos. beginning 1711      |
| 5   | D510502W  | Lint Filter Cover | Through Serial No. 1606000838  |
|     | D510502LG | Lint Filter Cover | Starting Serial No. 1606000839   |

# Air Duct (Drawing 3 of 3)

Models ATEE9AGP435AW01, ATEE9ASG453NW36, ATEE9ASG455NW36, ATEE9ASP133DN04, ATEE9ASP133DW04, ATEE9ASP433XW34, ATEE9ASP435XW34, ATEE9ASP453LW26, ATEE9ASP455LN01, ATEE9ASP455LW01, ATEE9ASP543DN04, ATEE9ASP543DW04, ATEE9ASP545DW04, ATEE9ASP565XW01, ATEE9AWP433AW01, ATEE9AWP435AW01, ATGE9AGP305AW01, ATGE9ASP123DN04, ATGE9ASP123DW04, ATGE9ASP125DW04, ATGE9ASP303XW01, ATGE9ASP303XW26, ATGE9ASP305XW01, ATGE9ASP543DN04, ATGE9ASP543DW04, ATGE9ASP545DW04, ATGE9AWP303AW01, ATGE9AWP305AW01, ATHE9ASP453NW29, ATHE9ASP455NN29, ATHE9ASP455NW29, ATLE9ASP305LW01, FTEE5ASP303NW10, FTEE5ASP303ZW01, FTEE5ASP433LW01, FTGE5ASP303NW10, LTEE5AGP133ZW30, LTEE5ASP133FW01, LTEE5ASP303WW01, LTEE5ASP303WW37, LTEE5ASP303ZW01, LTEE5ASP333NW01, LTEE5ASP433AW01, LTEE5ASP433AW12, LTEE5ASP453VW26, LTEE5ASP543NW01, LTEE5ASP543NW23, LTEE5ASP543RW01, LTEE5ASP553KW01, LTGE5ASP113FW01, LTGE5ASP113JW01, LTGE5ASP303AW01, LTGE5ASP303AW12, LTLE5ASP303LW01, LTLE5ASP303NW35, LTLE5ASP543NW23, LTME5ASP543KW01, PTEE3FSP433AG01, PTGE3FSP303AG01, PTHE9ASP455NG29, TTHE5ASP303NW36, TTPE5ASP303NW36, YTEE5ASP133FW01, YTEE5ASP303NW10, YTGE5ASP113FW01, YTGE5ASP303NW21, ZTHE9ASP455NN29 and ZTHE9ASP455NW29

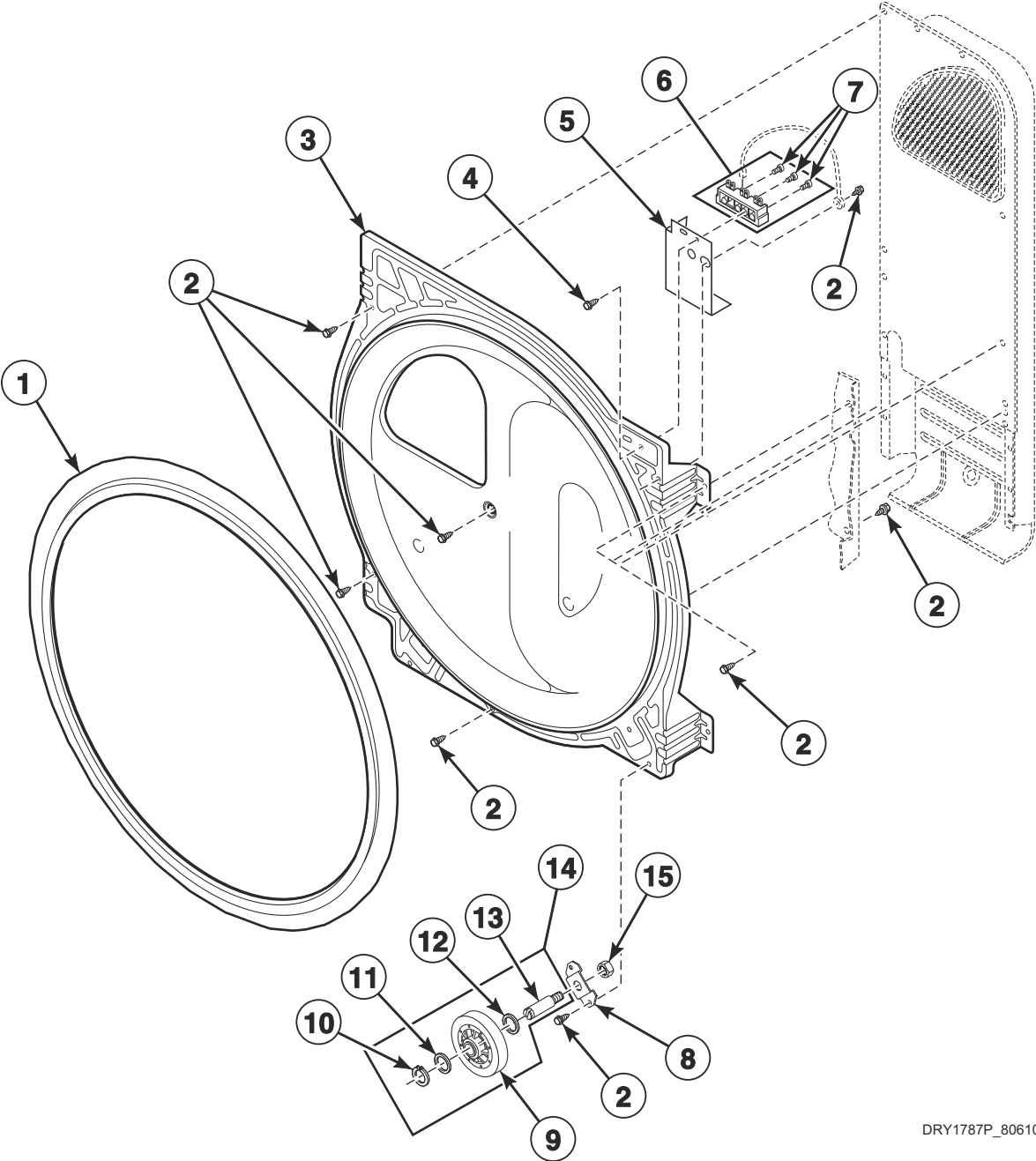


DRY2496P\_806105

## Air Duct (Drawing 3 of 3)

| REF | PART NO.  | DESCRIPTION       | COMMENTS  |
|-----|-----------|-------------------|---|
| 1   | D501086   | Screw             |   |
| 2   | D501285   | Screw             |   |
| 3   | D518433   | Air Duct Assembly | Models ATEE9ASP133DN04, ATEE9ASP455LN01, ATEE9ASP543DN04, ATGE9ASP123DN04, ATGE9ASP543DN04, ATHE9ASP455NN29 and ZTHE9ASP455NN29             |
|     | D518432   | Air Duct Assembly | All other models  |
| 4   | D503980LG | Lint Filter       | Light gray; Models ATEE9ASP133DN04, ATEE9ASP455LN01, ATEE9ASP543DN04, ATGE9ASP123DN04, ATGE9ASP543DN04, ATHE9ASP455NN29 and ZTHE9ASP455NN29 |
|     | D503980W  | Lint Filter       | White; All other models   |
| 5   | D510502LG | Lint Filter Cover | Models ATEE9ASP133DN04, ATEE9ASP543DN04, ATGE9ASP123DN04, ATGE9ASP543DN04, ATHE9ASP455NN29 and ZTHE9ASP455NN29                              |
|     | D510502W  | Lint Filter Cover | All other models  |

# Rear Bulkhead, Felt Seal, Cylinder Roller and Terminal Block



DRY1787P\_806105

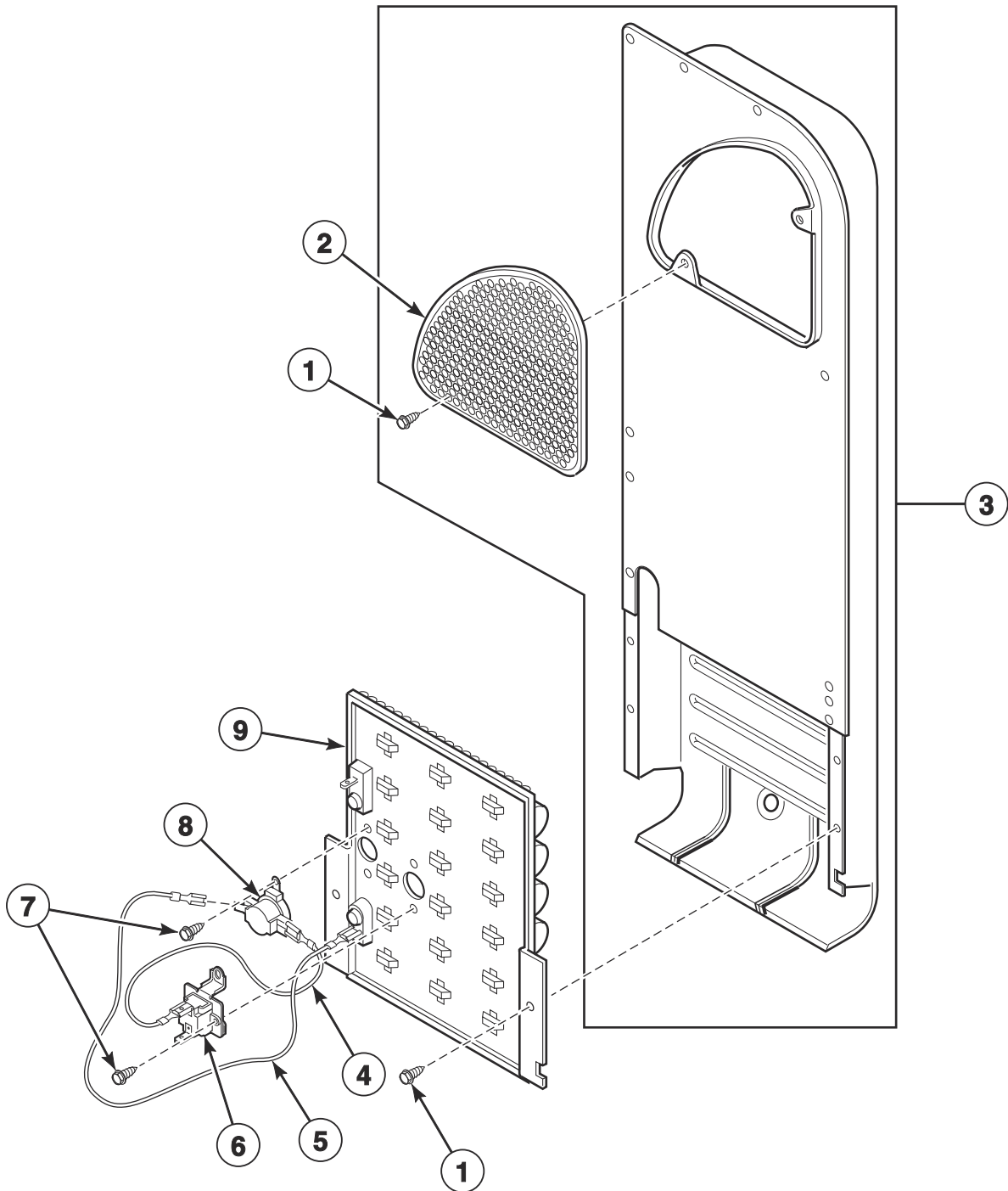


# Rear Bulkhead, Felt Seal, Cylinder Roller and Terminal Block

| REF | PART NO.  | DESCRIPTION             | COMMENTS   |
|-----|-----------|-------------------------|--|
| 1   | D510207P  | Cylinder Seal Assembly  |  |
|     | D511637P  | Adhesive                | Apply to cylinder seal   |
|     | RB170001  | Seal Kit                | Includes 2 cylinder seals, D510238P Blower Housing Seal and D511637P Adhesive  |
| 2   | D503688   | Screw                   |  |
| 3   | D511082P  | Rear Bulkhead Assembly  | Galvanized; Includes item 1  |
|     | D510905WP | Rear Bulkhead Assembly  | White; Includes item 1   |
| 4   | D501285   | Screw                   | Electric models; Models ATGE9ASP093CW01, ATGE9ASP095CW01, ATGE9ASP095CW14, BTGE6ASP093CW01, LTGE5ASP093CW01, LTGE5ASP095CW01, PTGE3FSP093CG01, PTGE3FSP095CG01, YTGE5ASP093CW01, YTGE5ASP095CW01 and ZTGE9ASP096CW01   |
| 5   | D510237   | Terminal Block Shield   | Models ATEE9ASP283CW01, ATEE9ASP285CW01, ATEE9ASP285CW14, ATEE9ASP286CW01, BTEE6ASP173TW01, BTEE6ASP283CW01, LTEA5FSP153TW01, LTEA5FSP153TW04, LTEA5FSP173TW01, LTEA5FSP173TW04, LTEE5ASP153TW01, LTEE5ASP155TW01, LTEE5ASP173TW01, LTEE5ASP175TW01, LTEE5ASP283CW01, LTEE5ASP285CW01, LTEE5ASP293CW01, LTEE5ASP295CW01, LTEE5ASP333NW01, LTEE5ASP543NW01, LTEE5FSP175TW01, LTEE5FSP275TW01, PTEE3FSP173TG01, PTEE3FSP175TG01, PTEE3FSP175TW01, UTEE5ASP173TW01, UTEE5ASP173TW08, UTEE5ASP175TW01, UTEE5ASP175TW08, UTEE5ASP283CW01, UTEE5ASP285CW01, YTEE5ASP173TW01, YTEE5ASP175TW01, YTEE5ASP283CW01, YTEE5ASP285CW01 and ZTEE9ASP286CW01; Through Serial No. 1903000001  |
|     | D517715   | Terminal Block Shield   | Models ATEE9AGP435AW01, ATEE9ASG453NW36, ATEE9ASG455NW36, ATEE9ASP133DN04, ATEE9ASP133DW04, ATEE9ASP433XW34, ATEE9ASP435XW34, ATEE9ASP453LW26, ATEE9ASP455LN01, ATEE9ASP455LW01, ATEE9ASP543DN04, ATEE9ASP543DW04, ATEE9ASP545DW04, ATEE9ASP565XW01, ATEE9AWP433AW01, ATEE9AWP435AW01, ATHE9ASP453NW29, ATHE9ASP455NN29, ATHE9ASP455NW29, FTEE5ASP303ZW01, FTEE5ASP433LW01, FTGE5ASP303NW10, LTEE5AGP133ZW30, LTEE5ASP133FW01, LTEE5ASP135MW01, LTEE5ASP303WW01, LTEE5ASP303WW37, LTEE5ASP303ZW01, LTEE5ASP433AW01, LTEE5ASP433AW12, LTEE5ASP453VW26, LTEE5ASP543RW01, LTEE5ASP553KW01, LTLE5ASP543NW23, PTEE3FSP433AG01, PTHE9ASP455NG29, TTHE5ASP303NW36, TTPE5ASP303NW36, YTEE5ASP133FW01, YTEE5ASP303NW10, ZTHE9ASP455NN29 and ZTHE9ASP455NW29 |
| 6   | D510190P  | Terminal Block Assembly | Includes 3 of item 7; Electric models; Models ATGE9ASP093CW01, ATGE9ASP095CW14, BTGE6ASP093CW01, LTGE5ASP093CW01, LTGE5ASP095CW01, PTGE3FSP093CG01, PTGE3FSP095CG01, YTGE5ASP093CW01 and YTGE5ASP095CW01   |
| 7   | 61199     | Screw                   |  |
| 8   | D510100   | Cylinder Roller Bracket |  |
| 9   | D510708P  | Cylinder Roller         |  |
| 10  | 23748     | Retaining Ring          |  |
| 11  | 52549     | Washer                  |  |
| 12  | D504082   | Washer                  |  |
| 13  | 56461P    | Shaft                   |  |
| 14  | RB170002  | Roller Kit              | Includes 2 each of items 9-13  |
| 15  | 56156     | Nut                     |  |

# Heater Duct and Element Assembly

Electric Models



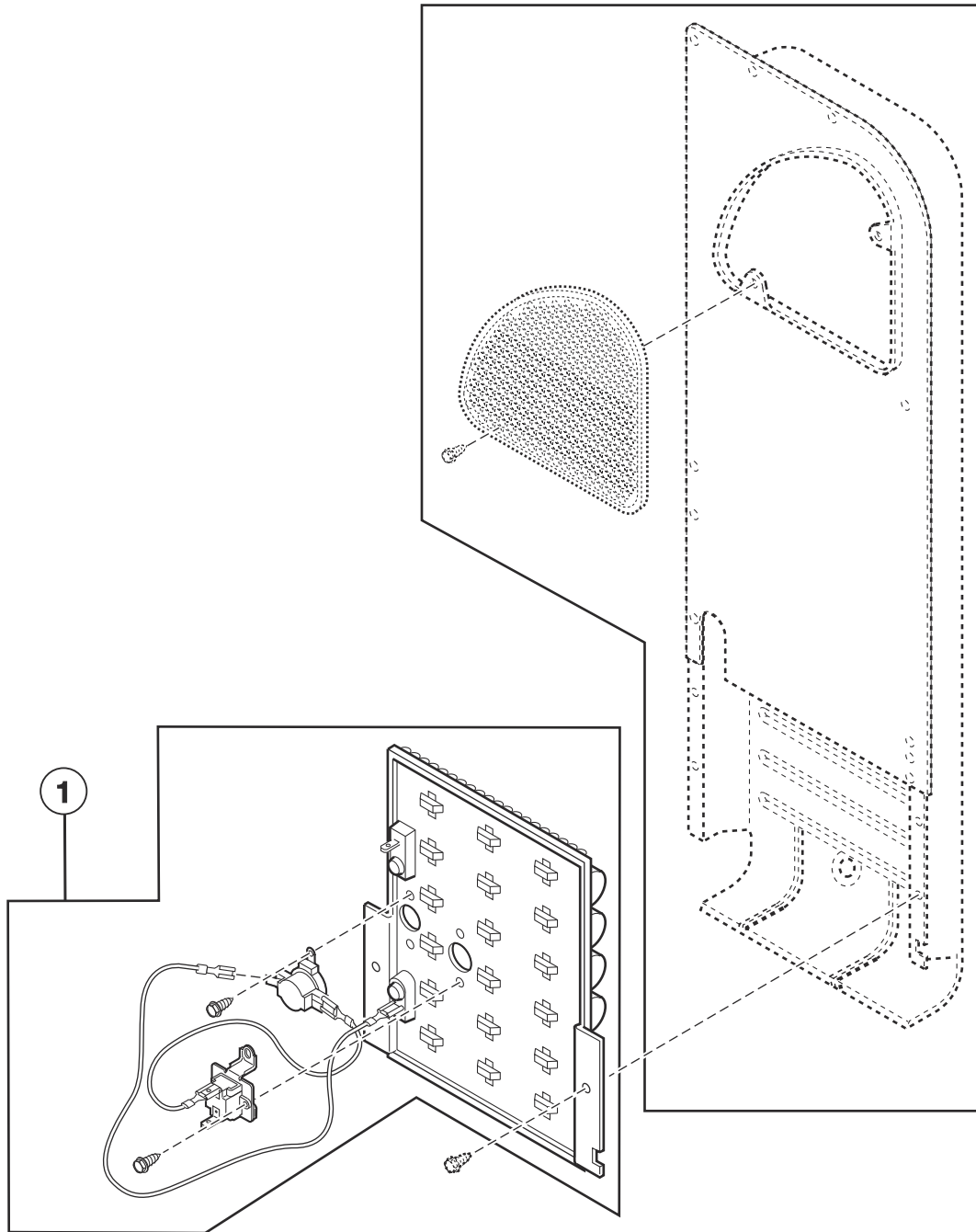
DRY1789P\_806105

# Heater Duct and Element Assembly

| REF | PART NO. | DESCRIPTION             | COMMENTS   |
|-----|----------|-------------------------|--|
|     | 490P3    | Thermal Fuse Kit        | Includes item 1, D510701 Limit Thermostat and D518649 Thermal Fuse Assembly  |
| 1   | D503688  | Screw                   |  |
| 2   | D518524  | Outlet Cover            | Black; Nitrocarburized   |
|     | D500820  | Outlet Cover            | Aluminized steel   |
| 3   | D510705P | Heater Duct Assembly    | Includes items 1 and 2   |
| 4   | D518256  | Wire Assembly           | Orange; Thermostat jumper; Attaches to heater assembly   |
| 5   | D518255  | Wire Assembly           | Black; Fuse jumper; Attaches to heater assembly  |
| 6   | 44253901 | Manual Reset Thermostat | Model ATEE9ASP565XW01  |
|     | D518649  | Thermal Fuse Assembly   | All other models   |
| 7   | 23222    | Screw                   |  |
| 8   | D510700  | Limit Thermostat        | Models ATEE9ASG453NW36, ATEE9ASG455NW36, ATEE9ASP453LW26, ATEE9ASP455LN01, ATEE9ASP455LW01, ATEE9ASP565XW01, ATHE9ASP453NW29, ATHE9ASP455NN29, ATHE9ASP455NW29, LTEE5ASP453VW26, LTEE5ASP553KW01, PTHE9ASP455NG29, ZTHE9ASP455NN29 and ZTHE9ASP455NW29   |
|     | D515873  | Limit Thermostat        | Models LTEE5ASP303WW01 and LTEE5ASP303WW37   |
|     | D510701  | Limit Thermostat        | All other models   |
| 9   | D510329P | Heater Assembly         | 5.35 kW; 240 Volt; Models ATEE9ASP133DN04, ATEE9ASP133DW04, ATEE9ASP543DN04, ATEE9ASP543DW04, ATEE9ASP545DW04, BTEE6ASP173TW01, LTEA5FSP173TW01, LTEA5FSP173TW04, LTEE5ASP133FW01, LTEE5ASP135MW01, LTEE5ASP155TW01, LTEE5ASP173TW01, LTEE5ASP175TW01, LTEE5ASP333NW01, LTEE5ASP543NW01, LTEE5ASP543NW23, LTEE5ASP543RW01, LTEE5FSP175TW01, PTEE3FSP173TG01, PTEE3FSP175TG01, PTEE3FSP175TW01, UTEE5ASP173TW01, UTEE5ASP173TW08, UTEE5ASP175TW01, UTEE5ASP175TW08, YTEE5ASP133FW01, YTEE5ASP173TW01 and YTEE5ASP175TW01; Models LTEA5FSP153TW01, LTEA5FSP153TW04 and LTEE5ASP153TW01 starting Serial Nos. beginning 1601 |
|     | D510325P | Heater                  | 4750 Watt; 208 Volt/60 Hertz; Models LTEA5FSP153TW01, LTEA5FSP153TW04 and LTEE5ASP153TW01 through Serial Nos. beginning 1512   |
|     | D510324P | Heater Assembly         | 5000 Watt; 240 Volt/60 Hertz; Models ATEE9ASP283CW01, ATEE9ASP285CW01, ATEE9ASP285CW14, ATEE9ASP286CW01, BTEE6ASP283CW01, LTEE5ASP283CW01, LTEE5ASP285CW01, LTEE5ASP293CW01, LTEE5ASP295CW01, PTEE3FSP283CG01, PTEE3FSP285CG01, UTEE5ASP283CW01, UTEE5ASP285CW01, YTEE5ASP283CW01, YTEE5ASP285CW01 and ZTEE9ASP286CW01   |
|     | D510327P | Heater Assembly         | 4000 Watt; 240 Volt/50 Hertz; Models ATEE9AGP435AW01, ATEE9ASP433XW34, ATEE9ASP435XW34, ATEE9AWP433AW01, ATEE9AWP435AW01, FTEE5ASP433LW01, LTEE5ASP433AW01, LTEE5ASP433AW12 and PTEE3FSP433AG01  |
|     | D510326P | Heater Assembly         | 4800 Watt; 240 Volt/50 Hertz; Models FTEE5ASP303NW10, FTEE5ASP303ZW01, LTEE5AGP133ZW30, LTEE5ASP303WW01, LTEE5ASP303WW37, LTEE5ASP303ZW01, LTEE5FSP275TW01, TTHE5ASP303NW36 and YTEE5ASP303NW10  |
|     | D510328P | Heater Assembly         | 3100 Watt; 240 Volt/50 Hertz; Models ATEE9ASG453NW36, ATEE9ASG455NW36, ATEE9ASP453LW26, ATEE9ASP455LN01, ATEE9ASP455LW01, ATHE9ASP453NW29, ATHE9ASP455NN29, ATHE9ASP455NW29, LTEE5ASP453VW26, LTEE5ASP553KW01, PTHE9ASP455NG29, ZTHE9ASP455NN29 and ZTHE9ASP455NW29  |
|     | D511503P | Heater Assembly         | 2800 Watt; 240 Volt/50 Hertz; Model ATEE9ASP565XW01  |

# Heater Kit Assembly

Electric Models



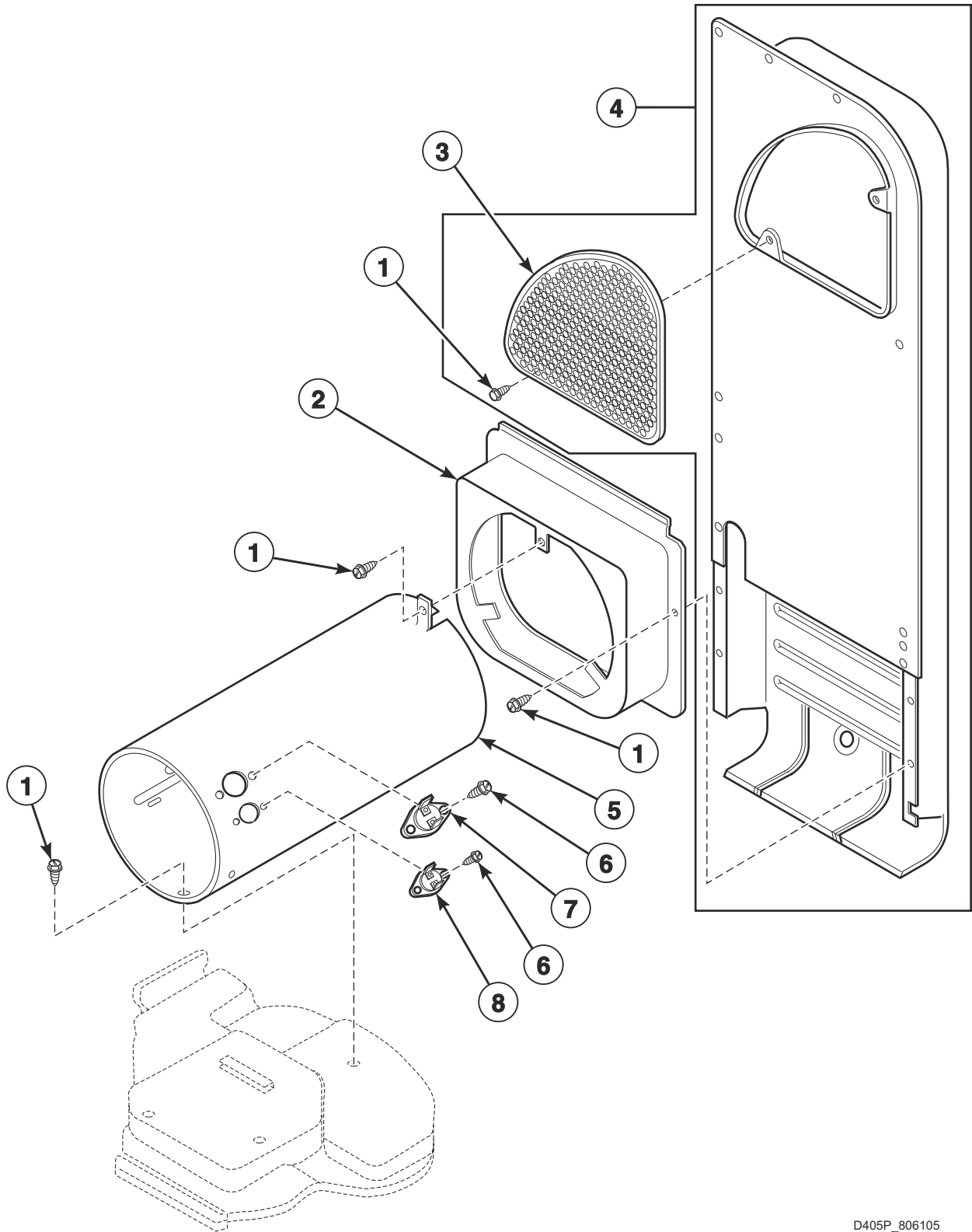
DRY1789PA\_806105

# Heater Kit Assembly

| REF | PART NO. | DESCRIPTION         | COMMENTS  |
|-----|----------|---------------------|---|
| 1   | 61927    | Heater Kit Assembly | 5 kW; 240 Volt/60 Hertz; Includes wire assemblies, thermal fuse assembly and limit thermostat; Models ATEE9ASP283CW01, ATEE9ASP285CW01, ATEE9ASP285CW14, ATEE9ASP286CW01, BTEE6ASP283CW01, LTEE5ASP283CW01, LTEE5ASP285CW01, LTEE5ASP293CW01, LTEE5ASP295CW01, PTEE3FSP283CG01, PTEE3FSP285CG01, UTEE5ASP283CW01, UTEE5ASP285CW01, YTEE5ASP283CW01, YTEE5ASP285CW01 and ZTEE9ASP286CW01   |
|     | 964P3    | Heater Kit          | Includes factory-installed heater; 5.35 kW; 240 Volt; Includes wire assemblies, thermal fuse assembly and limit thermostat; Models ATEE9ASP133DN04, ATEE9ASP133DW04, ATEE9ASP543DN04, ATEE9ASP543DW04, ATEE9ASP545DW04, BTEE6ASP173TW01, LTEA5FSP173TW01, LTEA5FSP173TW04, LTEE5ASP133FW01, LTEE5ASP135MW01, LTEE5ASP155TW01, LTEE5ASP173TW01, LTEE5ASP175TW01, LTEE5ASP333NW01, LTEE5ASP543NW01, LTEE5ASP543NW23, LTEE5ASP543RW01, LTEE5FSP175TW01, LTEE5FSP275TW01, PTEE3FSP173TG01, PTEE3FSP175TG01, PTEE3FSP175TW01, UTEE5ASP173TW01, UTEE5ASP173TW08, UTEE5ASP175TW01, UTEE5ASP175TW08, YTEE5ASP133FW01, YTEE5ASP173TW01 and YTEE5ASP175TW01 |
|     | 61928    | Heater Kit Assembly | Optional conversion; 4750 Watt; 208 Volt/60 Hertz; Models LTEA5FSP153TW01, LTEA5FSP153TW04, LTEE5ASP153TW01 and LTEE5ASP155TW01   |
|     | 61930    | Heater Kit Assembly | 4000 Watt; 240 Volt/50 Hertz; Models ATEE9AGP435AW01, ATEE9ASP433XW34, ATEE9ASP435XW34, ATEE9AWP433AW01, ATEE9AWP435AW01, FTEE5ASP433LW01, LTEE5ASP433AW01, LTEE5ASP433AW12 and PTEE3FSP433AG01   |
|     | 61929    | Heater Kit Assembly | 4800 Watt; 240 Volt/50 Hertz; Models FTEE5ASP303NW10, FTEE5ASP303ZW01, LTEE5AGP133ZW30, LTEE5ASP303WW01, LTEE5ASP303WW37, LTEE5ASP303ZW01, TTHE5ASP303NW36 and YTEE5ASP303NW10  |
|     | 61931    | Heater Kit Assembly | 3100 Watt; 240 Volt/50 Hertz; Models ATEE9ASG453NW36, ATEE9ASG455NW36, ATEE9ASP453LW26, ATEE9ASP455LN01, ATEE9ASP455LW01, ATHE9ASP453NW29, ATHE9ASP455NN29, ATHE9ASP455NW29, LTEE5ASP453VW26, LTEE5ASP553KW01, PTHE9ASP455NG29, ZTHE9ASP455NN29 and ZTHE9ASP455NW29   |

# Heater Duct Assembly

Gas Models



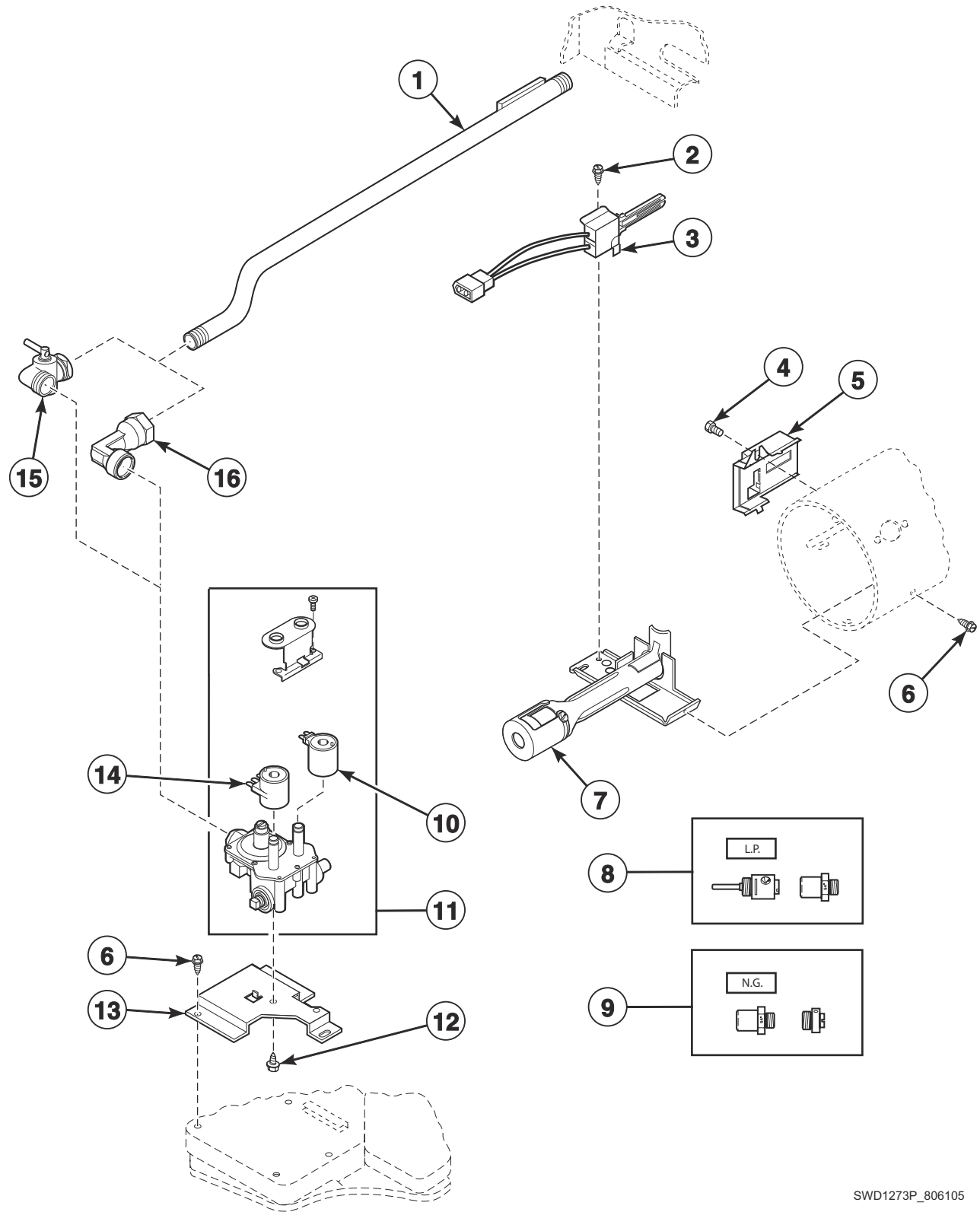
D405P\_806105

# Heater Duct Assembly

| REF | PART NO. | DESCRIPTION          | COMMENTS   |
|-----|----------|----------------------|--|
| 1   | D503688  | Screw                |  |
| 2   | D510101  | Heat Duct Shroud     |  |
| 3   | D518524  | Outlet Cover         | Black; Nitrocarburized   |
|     | D500820  | Outlet Cover         | Aluminized steel   |
| 4   | D510705P | Heater Duct Assembly | Includes items 1 and 3   |
| 5   | D510131  | Combustion Duct      |  |
| 6   | 51782    | Screw                |  |
| 7   | D510702  | Limit Thermostat     | Black; Auto reset  |
| 8   | D510703  | Thermostat           | Manual reset; Models ATGE9AGP305AW01, ATGE9ASP123DN04, ATGE9ASP123DW04, ATGE9ASP125DW04, ATGE9ASP303XW01, ATGE9ASP303XW26, ATGE9ASP305XW01, ATGE9ASP543DN04, ATGE9ASP543DW04, ATGE9ASP545DW04, ATGE9AWP303AW01, ATGE9AWP305AW01, ATLE9ASP305LW01, FTGE5ASP303NW10, LTGE5ASP113FW01, LTGE5ASP113JW01, LTGE5ASP303AW01, LTGE5ASP303AW12, LTLE5ASP303LW01, LTLE5ASP303NW35, LTLE5ASP543NW23, PTGE3FSP303AG01, YTGE5ASP113FW01 and YTGE5ASP303NW21 |

# Gas Valve, Igniter and Gas Conversion Kits Through Serial No. 190800001

Gas Model Dryers except LTME5ASP543KW01



SWD1273P\_806105



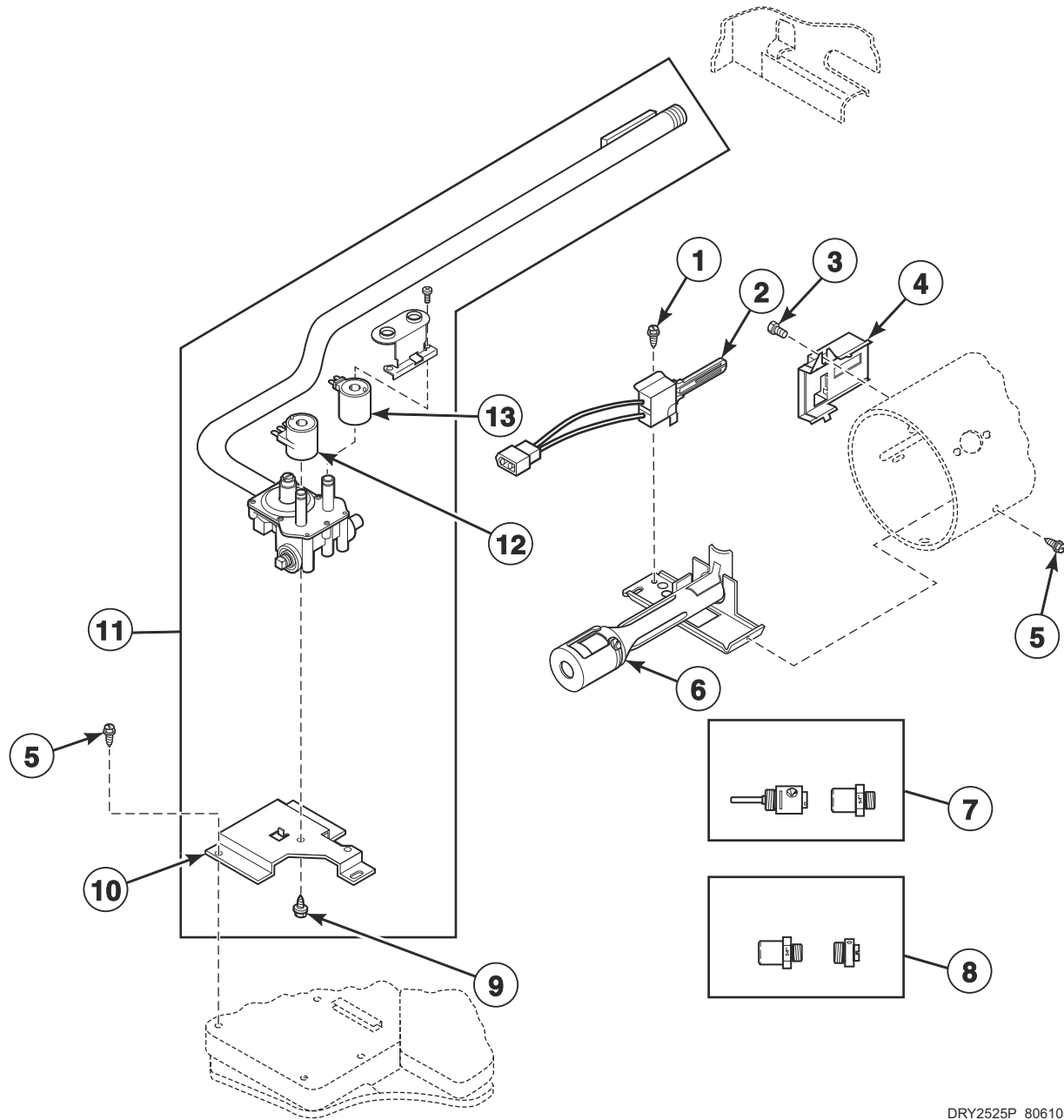
## Gas Valve, Igniter and Gas Conversion Kits Through Serial No. 190800001

| REF | PART NO. | DESCRIPTION                  | COMMENTS  |
|-----|----------|------------------------------|---|
|     | D516445  | T.G. Conversion Kit          | Used to convert dryers from Natural Gas (N.G.) to Town Gas (T.G.); Models ATGE9ASP303XW01, ATGE9ASP303XW26 and ATGE9ASP305XW01  |
| 1   | D510204  | Lead-In Pipe Assembly        |   |
| 2   | 51782    | Screw                        |   |
| 3   | D510184P | Igniter and Bracket Assembly |   |
| 4   | 23222    | Screw                        |   |
| 5   | D510213  | Sensor                       |   |
| 6   | D503688  | Screw                        |   |
| 7   | D510149P | Burner Assembly              |   |
| 8   | 401P3    | L.P. Conversion Kit          | Used to convert dryers from Natural Gas (N.G.) or Mixed Gas to Liquid Petroleum Gas (L.P.); 20,000 Btu; Models ATGE9AGP305AW01, ATGE9ASP303XW01, ATGE9ASP303XW26, ATGE9ASP305XW01, ATGE9AWP303AW01, ATGE9AWP305AW01, FTGE5ASP303NW10, LTGE5ASP303AW01, LTGE5ASP303AW12, PTGE3FSP303AG01 and YTGE5ASP303NW21 |
|     | 649P3    | L.P. Conversion Kit          | Used to convert dryers from N.G. or Mixed Gas to L.P.; 22,500 Btu; All other models   |
| 9   | 402P3    | N.G. Conversion Kit          | Used to convert dryers from L.P. to N.G. or Mixed Gas; 20,000 Btu; Models ATGE9AGP305AW01, ATGE9ASP303XW01, ATGE9ASP303XW26, ATGE9ASP305XW01, ATGE9AWP303AW01, ATGE9AWP305AW01, FTGE5ASP303NW10, LTGE5ASP303AW01, LTGE5ASP303AW12, PTGE3FSP303AG01 and YTGE5ASP303NW21                                      |
|     | 650P3    | N.G. Conversion Kit          | Used to convert dryers from L.P. to N.G. or Mixed Gas; 22,500 Btu; All other models   |
| 10  | 58804B   | Secondary Coil               |   |
| 11  | D513630  | Gas Valve Assembly           | 20,000 Btu; Includes items 10 and 14; Models ATLE9ASP305LW01, LTLE5ASP303LW01, LTLE5ASP303NW35 and TTPE5ASP303NW36  |
|     | D513631  | Gas Valve Assembly           | 22,500 Btu; Includes items 10 and 14; Model LTLE5ASP543NW23   |
|     | 59063P   | Gas Valve Assembly           | 50 Hertz, 20,000 Btu; Models ATGE9AGP305AW01, ATGE9ASP303XW01, ATGE9ASP303XW26, ATGE9ASP305XW01, ATGE9AWP303AW01, ATGE9AWP305AW01, FTGE5ASP303NW10, LTGE5ASP303AW01, LTGE5ASP303AW12, PTGE3FSP303AG01 and YTGE5ASP303NW21   |
|     | D510506P | Gas Valve Assembly           | 60 Hertz, 22,500 Btu; All other models  |
| 12  | 56124    | Screw                        |   |
| 13  | D510128  | Gas Valve Mounting Bracket   |   |
| 14  | 58804A   | Booster and Holding Coil     |   |
| 15  | D510205  | Elbow Shut-Off Valve         | Models ATGE9ASP303XW01, ATGE9ASP303XW26, ATGE9AWP303AW01, ATLE9ASP305LW01, FTGE5ASP303NW10, LTGE5ASP303AW01, LTGE5ASP303AW12, LTLE5ASP303LW01, LTLE5ASP303NW35, LTLE5ASP543NW23, PTGE3FSP303AG01 and YTGE5ASP303NW21 through Serial Nos. beginning 1707   |
| 16  | D513072  | Elbow                        |   |

# Gas Valve, Igniter and Gas Conversion Kits

## Starting Serial No. 1908000001

Gas Model Dryers except LTME5ASP543KW01



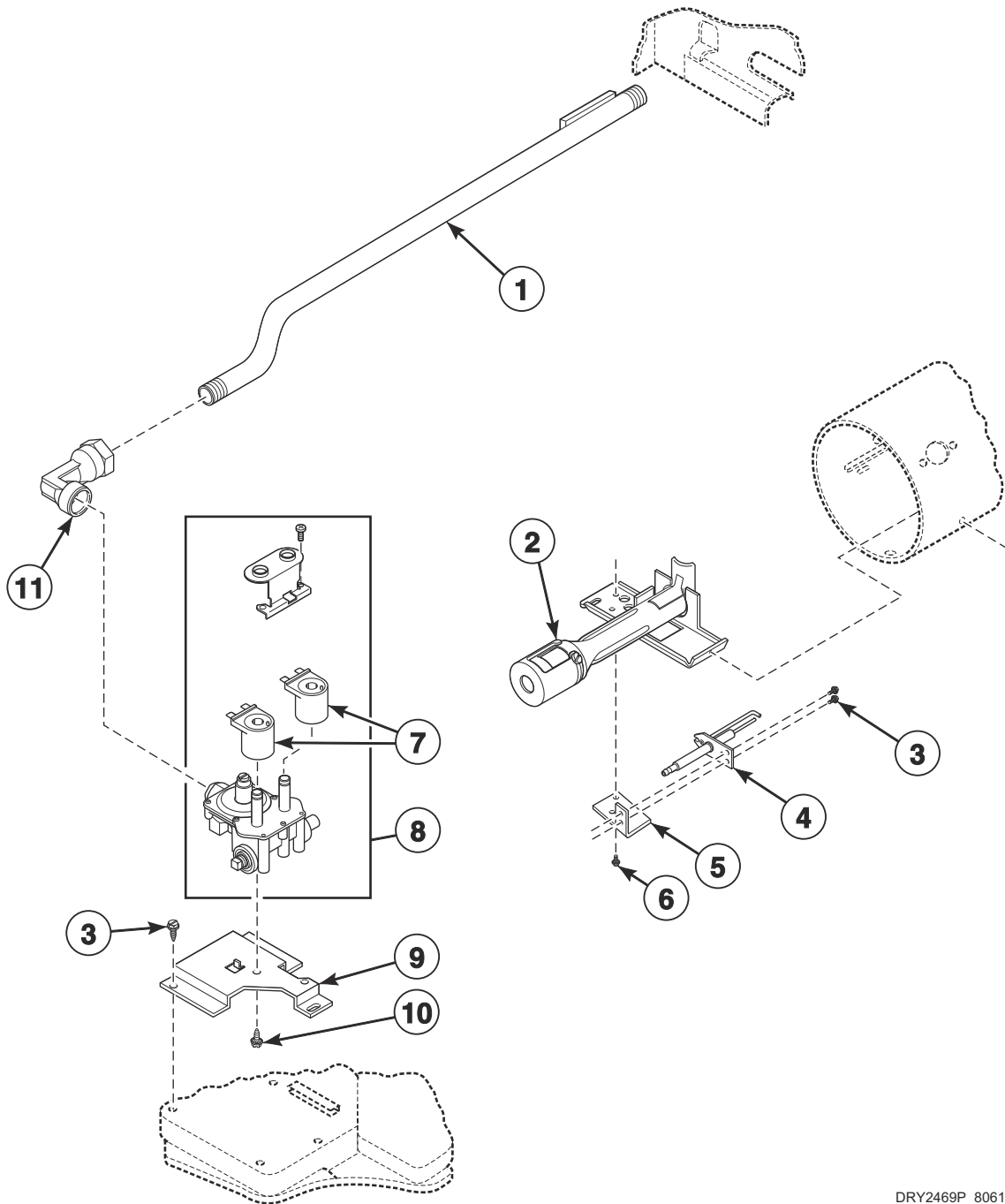
DRY2525P\_806105

## Gas Valve, Igniter and Gas Conversion Kits Starting Serial No. 1908000001

| REF | PART NO. | DESCRIPTION                          | COMMENTS  |
|-----|----------|--------------------------------------|---|
|     | D516445  | T.G. Conversion Kit                  | Used to convert dryers from Natural Gas (N.G.) to Town Gas (T.G.); Models ATGE9ASP303XW01, ATGE9ASP303XW26 and ATGE9ASP305XW01  |
| 1   | 51782    | Screw                                |   |
| 2   | D510184P | Igniter and Bracket Assembly         |   |
| 3   | 23222    | Screw                                |   |
| 4   | D510213  | Sensor                               |   |
| 5   | D503688  | Screw                                |   |
| 6   | D510149P | Burner Assembly                      |   |
| 7   | 401P3    | L.P. Conversion Kit                  | Used to convert dryers from Natural Gas (N.G.) or Mixed Gas to Liquid Petroleum Gas (L.P.); 20,000 Btu; Models ATGE9AGP305AW01, ATGE9ASP303XW01, ATGE9ASP303XW26, ATGE9ASP305XW01, ATGE9AWP303AW01, ATGE9AWP305AW01, FTGE5ASP303NW10, LTGE5ASP303AW01, LTGE5ASP303AW12, PTGE3FSP303AG01 and YTGE5ASP303NW21 |
|     | 649P3    | L.P. Conversion Kit                  | Used to convert dryers from N.G. or Mixed Gas to L.P.; 22,500 Btu; All other models   |
| 8   | 402P3    | N.G. Conversion Kit                  | Used to convert dryers from L.P. to N.G. or Mixed Gas; 20,000 Btu; Models ATGE9AGP305AW01, ATGE9ASP303XW01, ATGE9ASP303XW26, ATGE9ASP305XW01, ATGE9AWP303AW01, ATGE9AWP305AW01, FTGE5ASP303NW10, LTGE5ASP303AW01, LTGE5ASP303AW12, PTGE3FSP303AG01 and YTGE5ASP303NW21                                      |
|     | 650P3    | N.G. Conversion Kit                  | Used to convert dryers from L.P. to N.G. or Mixed Gas; 22,500 Btu; All other models   |
| 9   | 56124    | Screw                                |   |
| 10  | D510128  | Gas Valve Mounting Bracket           |   |
| 11  | D517611  | Gas Valve, Bracket and Pipe Assembly | 50 Hertz, 20,000 Btu; L.P.; Includes items 9-13; Models ATLE9ASP305LW01, LTLE5ASP303LW01, LTLE5ASP303NW35 and TTPE5ASP303NW36   |
|     | D517612  | Gas Valve, Bracket and Pipe Assembly | 60 Hertz, 22,500 Btu; L.P.; Includes items 9-13; Model LTLE5ASP543NW23  |
|     | D517607  | Gas Valve, Bracket and Pipe Assembly | 50 Hertz, 20,000 Btu; N.G.; Includes items 9-13; Models ATGE9AGP305AW01, ATGE9ASP303XW01, ATGE9ASP303XW26, ATGE9ASP305XW01, ATGE9AWP303AW01, ATGE9AWP305AW01, FTGE5ASP303NW10, LTGE5ASP303AW01, LTGE5ASP303AW12, PTGE3FSP303AG01 and YTGE5ASP303NW21  |
|     | D517609  | Gas Valve, Bracket and Pipe Assembly | 60 Hertz, 22,500 Btu; N.G.; Includes items 9-13; All other models   |
| 12  | 58804A   | Booster and Holding Coil             |   |
| 13  | 58804B   | Secondary Coil                       |   |

# Gas Valve Through Serial No. 1908000001

Model LTME5ASP543KW01



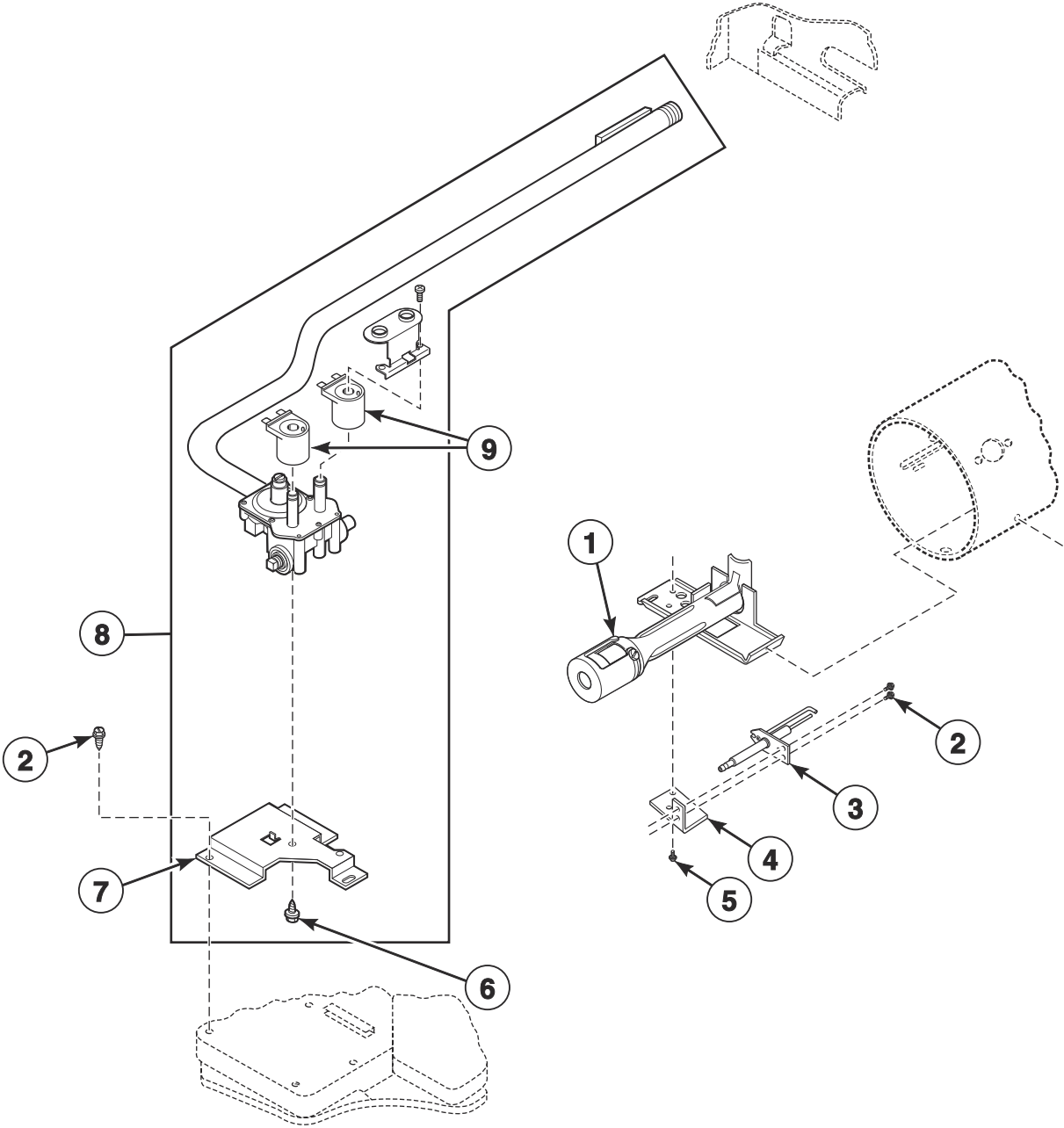
DRY2469P\_806105

## Gas Valve Through Serial No. 1908000001

| REF | PART NO.  | DESCRIPTION                | COMMENTS   |
|-----|-----------|----------------------------|--|
| 1   | D510204   | Lead-In Pipe Assembly      |  |
| 2   | D510149P  | Burner Assembly            |  |
| 3   | D503688   | Screw                      |  |
| 4   | 44328701P | Spark Electrode            |  |
| 5   | D516238   | Bracket                    |  |
| 6   | 51782     | Screw                      |  |
| 7   | D516699   | Gas Valve Coil             | 24 Vac; 50-60 Hertz  |
| 8   | D516182   | Gas Valve Assembly         | 50-60 Hertz, 22,500 Btu; Natural Gas (N.G.); Includes item 7 |
| 9   | D510128   | Gas Valve Mounting Bracket |  |
| 10  | 56124     | Screw                      |  |
| 11  | D513072   | Elbow                      |  |

# Gas Valve Starting Serial No. 1908000001

Model LTME5ASP543KW01



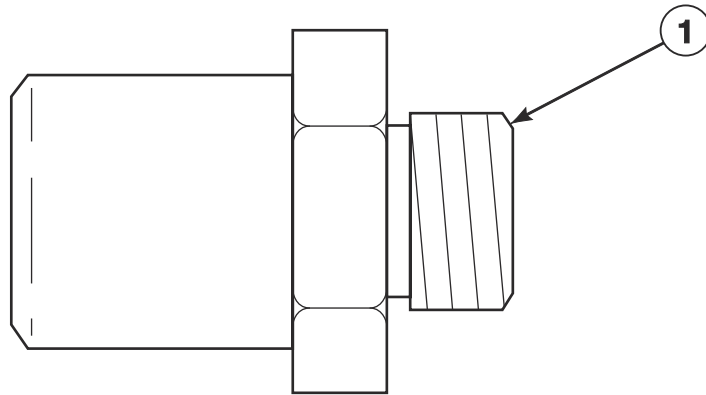
DRY2526P\_806105

## Gas Valve Starting Serial No. 1908000001

| REF | PART NO.  | DESCRIPTION                          | COMMENTS   |
|-----|-----------|--------------------------------------|--|
| 1   | D510149P  | Burner Assembly                      |  |
| 2   | D503688   | Screw                                |  |
| 3   | 44328701P | Spark Electrode                      |  |
| 4   | D516238   | Bracket                              |  |
| 5   | 51782     | Screw                                |  |
| 6   | 56124     | Screw                                |  |
| 7   | D510128   | Gas Valve Mounting Bracket           |  |
| 8   | D517610   | Gas Valve, Bracket and Pipe Assembly | 50-60 Hertz, 22,500 Btu; Natural Gas (N.G.); Includes items6-9 |
| 9   | D516699   | Gas Valve Coil                       | 24 Vac; 50-60 Hertz  |

# Burner Orifice Spuds - For Higher Elevations

Gas Models



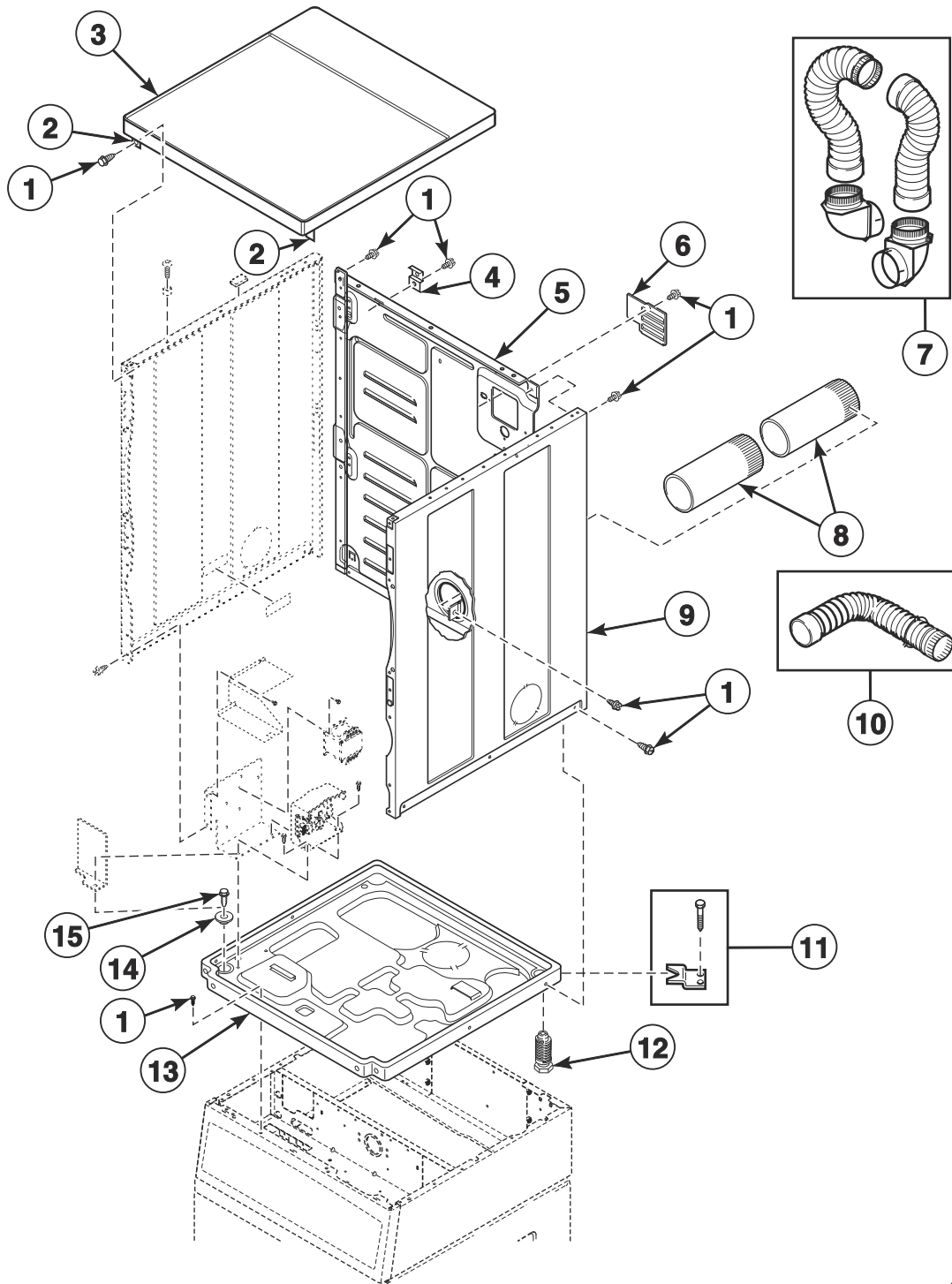
DRY2266P\_806105



## Burner Orifice Spuds - For Higher Elevations

| REF | PART NO. | DESCRIPTION   | COMMENTS   |
|-----|----------|---------------|--|
| 1   | 58755    | L.P. Orifice  | 22,500 Btu; 3000-7999 feet (915-2439 m)                      |
|     | D503786  | L.P. Orifice  | 22,500 Btu; 8000 feet (2440 m) and higher                    |
|     | D503778  | N.G. Orifice  | 22,500 Btu; 3000-5999 feet (915-1829 m)                      |
|     | 58719    | Screw Orifice | Natural Gas (N.G.); 22,500 Btu; 6000-7999 feet (1830-2439 m) |
|     | D503779  | N.G. Orifice  | 22,500 Btu; 8000-8999 feet (2440-2739 m)                     |
|     | D503780  | N.G. Orifice  | 22,500 Btu; 9000-9999 feet (2740-3049 m)                     |
|     | D503781  | N.G. Orifice  | 22,500 Btu; 10,000 feet (3050 m) and higher                  |

# Dryer Cabinet, Exhaust Duct and Base (Drawing 1 of 2)

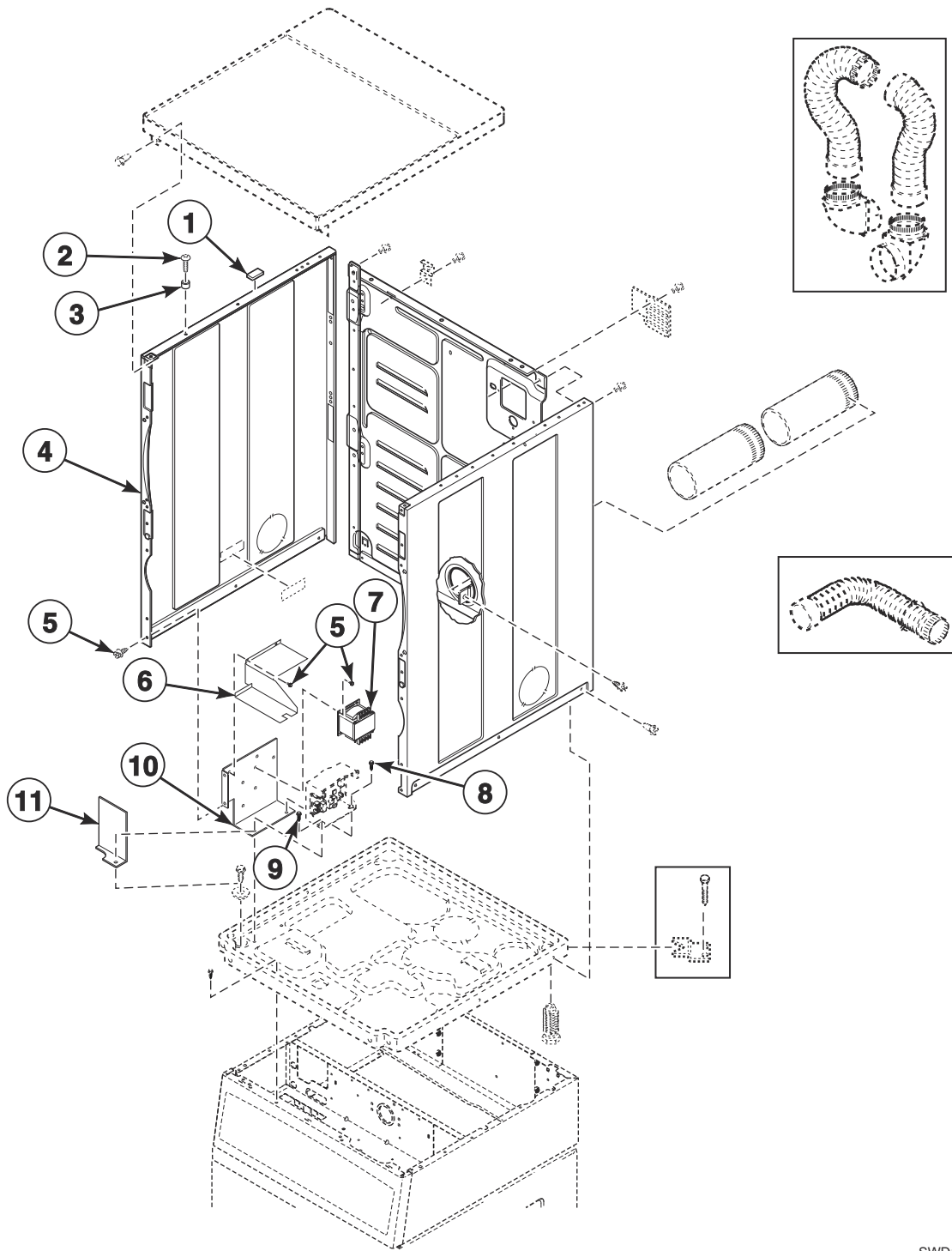


SWD1300P\_806105

## Dryer Cabinet, Exhaust Duct and Base (Drawing 1 of 2)

| REF       | PART NO.   | DESCRIPTION              | COMMENTS                         |
|-----------|------------|--------------------------|----------------------------------|
|           | 122P4P     | Porcelain Touch-Up Paint | White                            |
|           | 806436P    | Paint                    | Gray                             |
| <b>1</b>  | D503688    | Screw                    | Use with painted panels          |
|           | D512921    | Screw                    | Use with stainless steel panels  |
| <b>2</b>  | D510146    | Bracket                  |                                  |
| <b>3</b>  | D510032WP  | Top Kit                  | White                            |
|           | D510032DG  | Top Panel                | Gray                             |
|           | D513224    | Top and Bracket Assembly | Stainless steel                  |
| <b>4</b>  | D510136    | Top Hinge                |                                  |
| <b>5</b>  | D514632P   | Cabinet Rear Panel       | Through Serial No. 1912999999    |
|           | D517566    | Cabinet Rear Panel       | Starting Serial No. 2001000001   |
| <b>6</b>  | D514356    | Access Cover Plate       | Without louvers                  |
|           | D510903    | Access Panel Plate       | With louvers                     |
| <b>7</b>  | 521P3      | Flexible Venting Kit     |                                  |
| <b>8</b>  | D516196    | Exhaust Duct             |                                  |
| <b>9</b>  | D510002WP  | Cabinet Side Panel       | Right; White                     |
|           | D510002DGP | Cabinet Side Panel       | Right; Gray                      |
|           | D512539    | Cabinet Side Panel       | Right; Stainless steel           |
| <b>10</b> | 528P3      | Directional Exhaust Kit  | Used to vent dryer out the sides |
| <b>11</b> | 526P3      | Hold Down Kit            | For mobile home installations    |
| <b>12</b> | D510135    | Leveling Leg             |                                  |
| <b>13</b> | D514245    | Dryer Base               |                                  |
| <b>14</b> | 26509      | Washer                   |                                  |
| <b>15</b> | 36048      | Screw                    |                                  |

# Dryer Cabinet, Exhaust Duct and Base (Drawing 2 of 2)

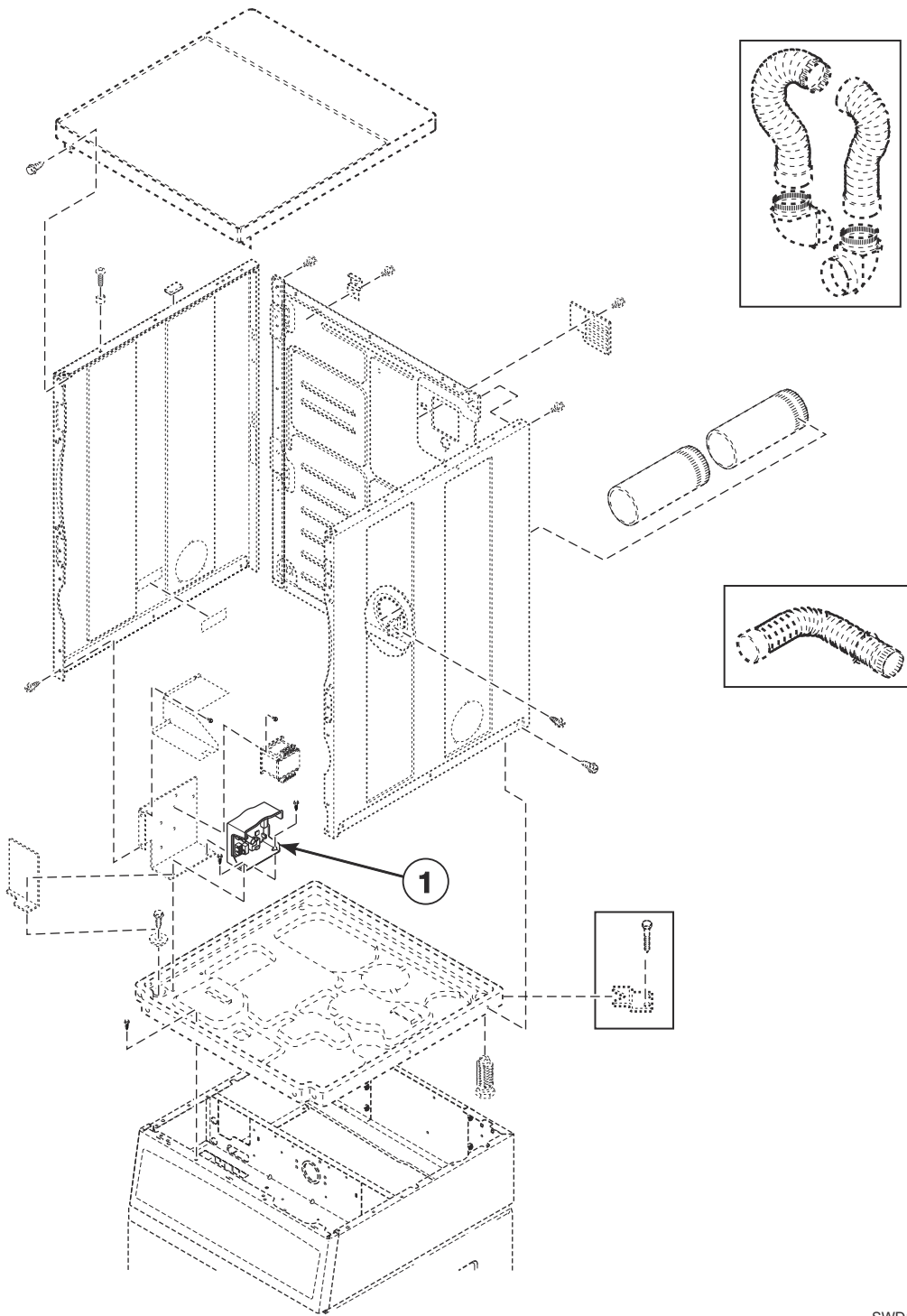


SWD1300PA\_806105

## Dryer Cabinet, Exhaust Duct and Base (Drawing 2 of 2)

| REF | PART NO.   | DESCRIPTION         | COMMENTS   |
|-----|------------|---------------------|--|
| 1   | 56128      | Bumper Pad          |  |
| 2   | 39733      | Screw               | Use with painted panels  |
|     | 806276     | Screw               | Use with stainless steel panels  |
| 3   | 56079      | Panel Locator       |  |
| 4   | D510001WP  | Cabinet Side Panel  | Left; White  |
|     | D510001DGP | Cabinet Side Panel  | Left; Gray   |
|     | D512538    | Cabinet Side Panel  | Left; Stainless steel  |
| 5   | D503688    | Screw               |  |
| 6   | D514334    | Transformer Shield  | Models ATGE9AGP305AW01, ATGE9ASP303XW01, ATGE9ASP303XW26, ATGE9ASP305XW01, ATGE9ASP543DN04, ATGE9ASP543DW04, ATGE9ASP545DW04, ATGE9AWP303AW01, ATGE9AWP305AW01, ATLE9ASP305LW01, FTGE5ASP303NW10, LTGE5ASP303AW01, LTGE5ASP303AW12, LTLE5ASP303LW01, LTLE5ASP303NW35, LTLE5ASP543NW23, PTGE3FSP303AG01, TTPE5ASP303NW36 and YTGE5ASP303NW21  |
| 7   | D513763P   | Transformer         | Models ATGE9AGP305AW01, ATGE9ASP303XW01, ATGE9ASP303XW26, ATGE9ASP305XW01, ATGE9ASP543DN04, ATGE9ASP543DW04, ATGE9ASP545DW04, ATGE9AWP303AW01, ATGE9AWP305AW01, ATLE9ASP305LW01, FTGE5ASP303NW10, LTGE5ASP303AW01, LTGE5ASP303AW12, LTLE5ASP303LW01, LTLE5ASP303NW35, LTLE5ASP543NW23, PTGE3FSP303AG01, TTPE5ASP303NW36 and YTGE5ASP303NW21  |
| 8   | 804667     | Screw               |  |
| 9   | D514428    | Screw               |  |
| 10  | D511859    | Contacto Bracket    | Models ATGE9AGP305AW01, ATGE9ASP303XW01, ATGE9ASP303XW26, ATGE9ASP305XW01, ATGE9ASP543DN04, ATGE9ASP543DW04, ATGE9ASP545DW04, ATGE9AWP303AW01, ATGE9AWP305AW01, ATLE9ASP305LW01, FTGE5ASP303NW10, LTGE5ASP303AW01, LTGE5ASP303AW12, LTLE5ASP303LW01, LTLE5ASP303NW35, LTLE5ASP543NW23, PTGE3FSP303AG01, TTPE5ASP303NW36 and YTGE5ASP303NW21  |
| 11  | D514420    | Output Board Shield | Models ATEE9AGP435AW01, ATEE9ASP133DN04, ATEE9ASP133DW04, ATEE9ASP433XW34, ATEE9ASP435XW34, ATEE9ASP453LW26, ATEE9ASP455LN01, ATEE9ASP455LW01, ATEE9ASP543DN04, ATEE9ASP543DW04, ATEE9ASP545DW04, ATEE9ASP565XW01, ATEE9AWP433AW01, ATEE9AWP435AW01, ATHE9ASP453NW29, FTEE5ASP303ZW01, FTEE5ASP433LW01, LTEE5AGP133ZW30, LTEE5ASP133FW01, LTEE5ASP135MW01, LTEE5ASP303WW01, LTEE5ASP303WW37, LTEE5ASP303ZW01, LTEE5ASP433AW01, LTEE5ASP433AW12, LTEE5ASP453VW26, LTEE5ASP543RW01, LTEE5ASP553KW01, LTME5ASP543KW01 and PTEE3FSP433AG01 |

# Output Control Assembly Through Serial No. 1912999999

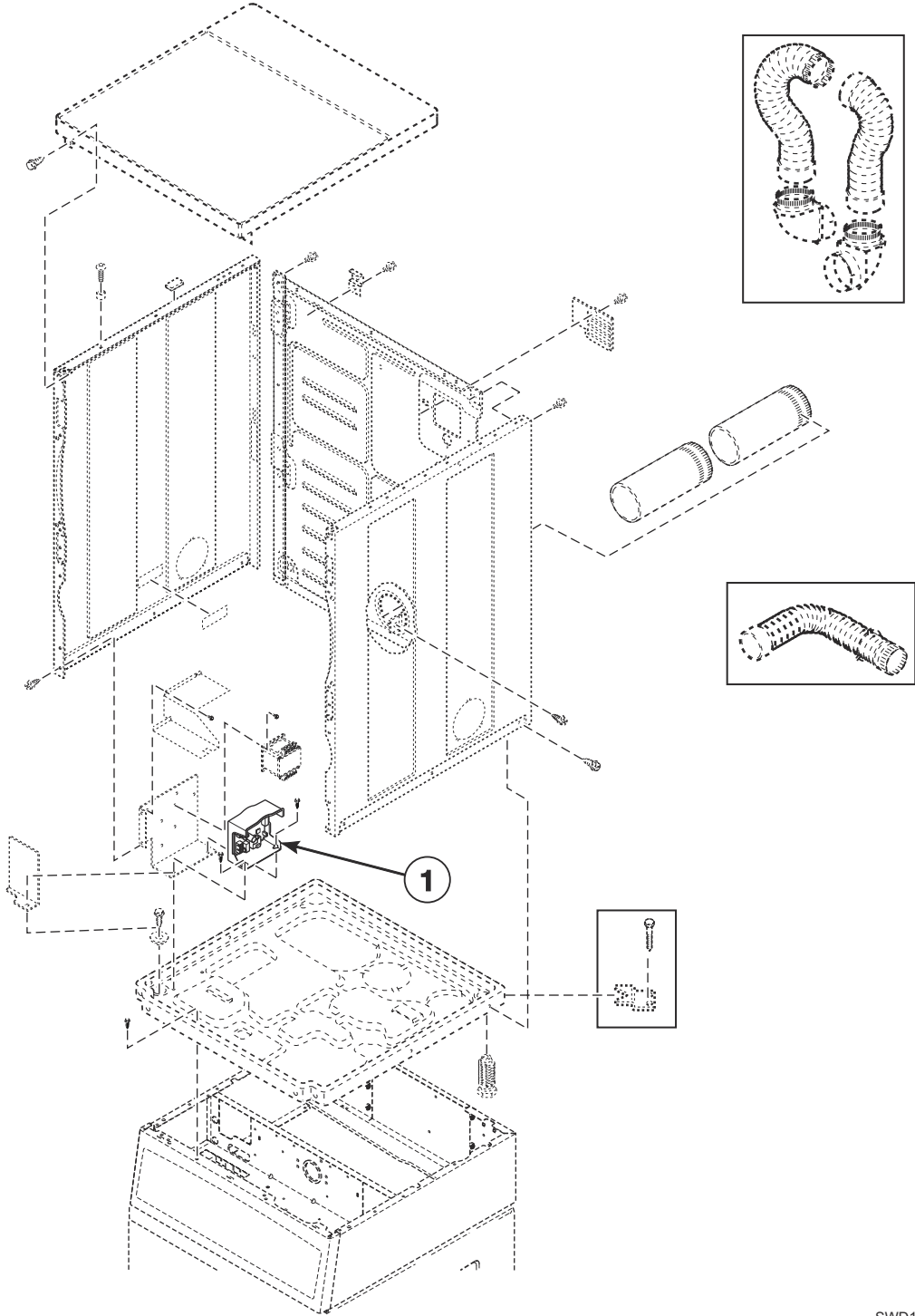


SWD1300PB\_806105

# Output Control Assembly Through Serial No. 1912999999

| REF | PART NO. | DESCRIPTION             | COMMENTS  |
|-----|----------|-------------------------|---|
| 1   | D517269  | Output Control Assembly | Models ATEE9ASG453NW36, ATEE9ASG455NW36, ATHE9ASP453NW29, ATHE9ASP455NN29, ATHE9ASP455NW29, FTEE5ASP303NW10, FTGE5ASP303NW10, LTEE5ASP333NW01, LTEE5ASP543NW01, LTEE5ASP543NW23, LTLE5ASP303NW35, LTLE5ASP543NW23, PTHE9ASP455NG29, TTHE5ASP303NW36, TTPE5ASP303NW36, YTEE5ASP303NW10, YTGE5ASP303NW21, ZTHE9ASP455NN29 and ZTHE9ASP455NW29 |
|     | D513797P | Output Control Assembly | All other models  |

# Output Control Assembly Starting Serial No. 2001000001



SWD1300PB\_806105

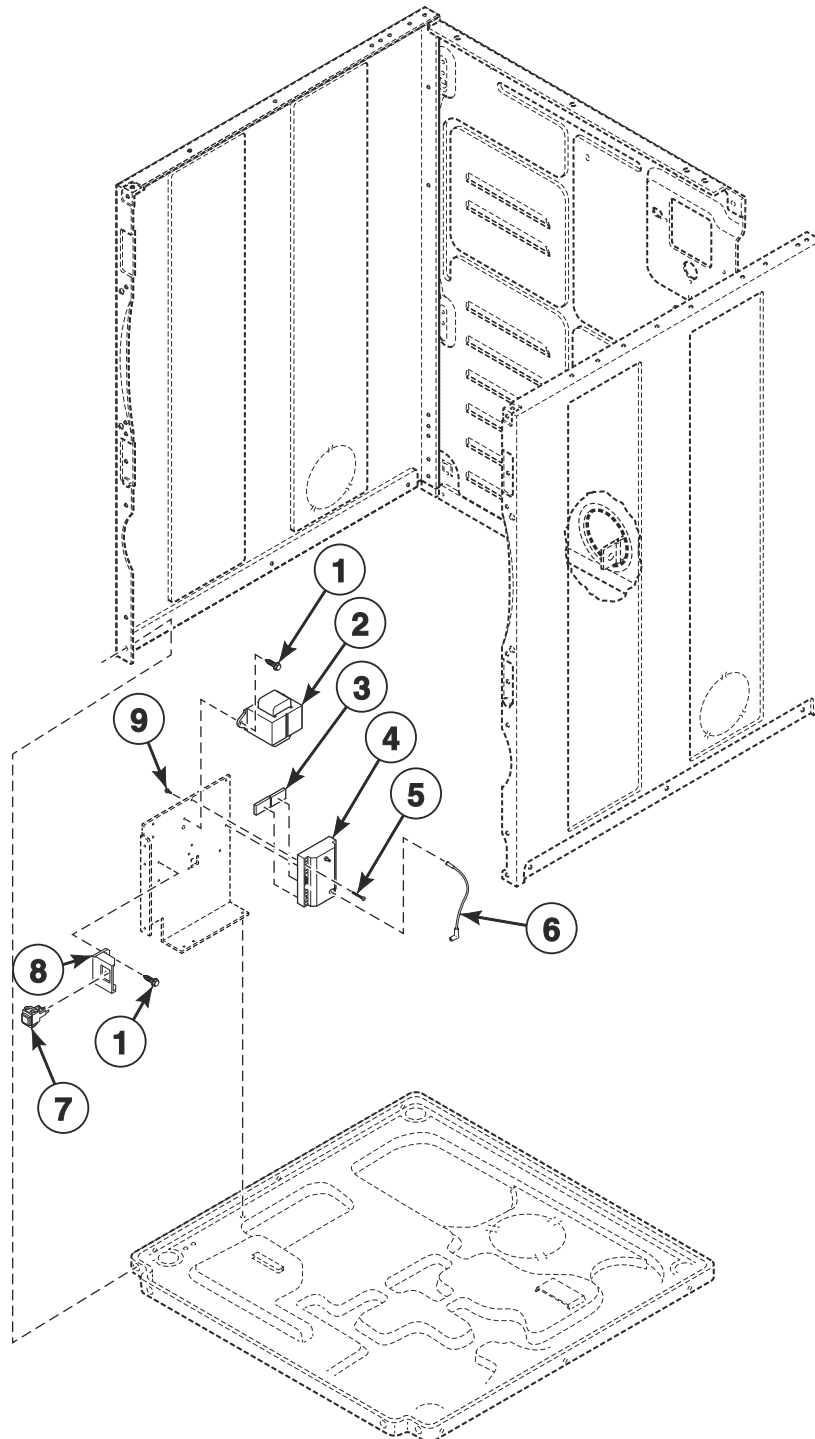


# Output Control Assembly Starting Serial No. 2001000001

| REF | PART NO. | DESCRIPTION             | COMMENTS  |
|-----|----------|-------------------------|---|
| 1   | D517191P | Output Control Assembly | Models ATEE9ASG455NW36, ATHE9ASP455NN29, ATHE9ASP455NW29, FTEE5ASP303NW10, FTGE5ASP303NW10, LTEE5ASP155TW01, LTEE5ASP175TW01, LTEE5ASP543NW01, LTEE5ASP543NW23, LTEE5FSP175TW01, LTEE5FSP275TW01, LTGE5ASP115TW01, LTGE5FSP115TW01, LTLE5ASP303NW35, LTLE5ASP543NW23, PTHE9ASP455NG29, TTHE5ASP303NW36, TTPE5ASP303NW36, UTEE5ASP175TW01, UTEE5ASP175TW08, UTEE5ASP285CW01, UTGE5ASP115TW01, UTGE5ASP115TW08, YTEE5ASP175TW01, YTEE5ASP285CW01, YTGE5ASP095CW01, YTGE5ASP115TW01, ZTEE9ASP286CW01 and ZTGE9ASP096CW01 |
|     | D517319  | Output Control Assembly | All other models  |

# Ignition Control Module

Model LTME5ASP543KW01



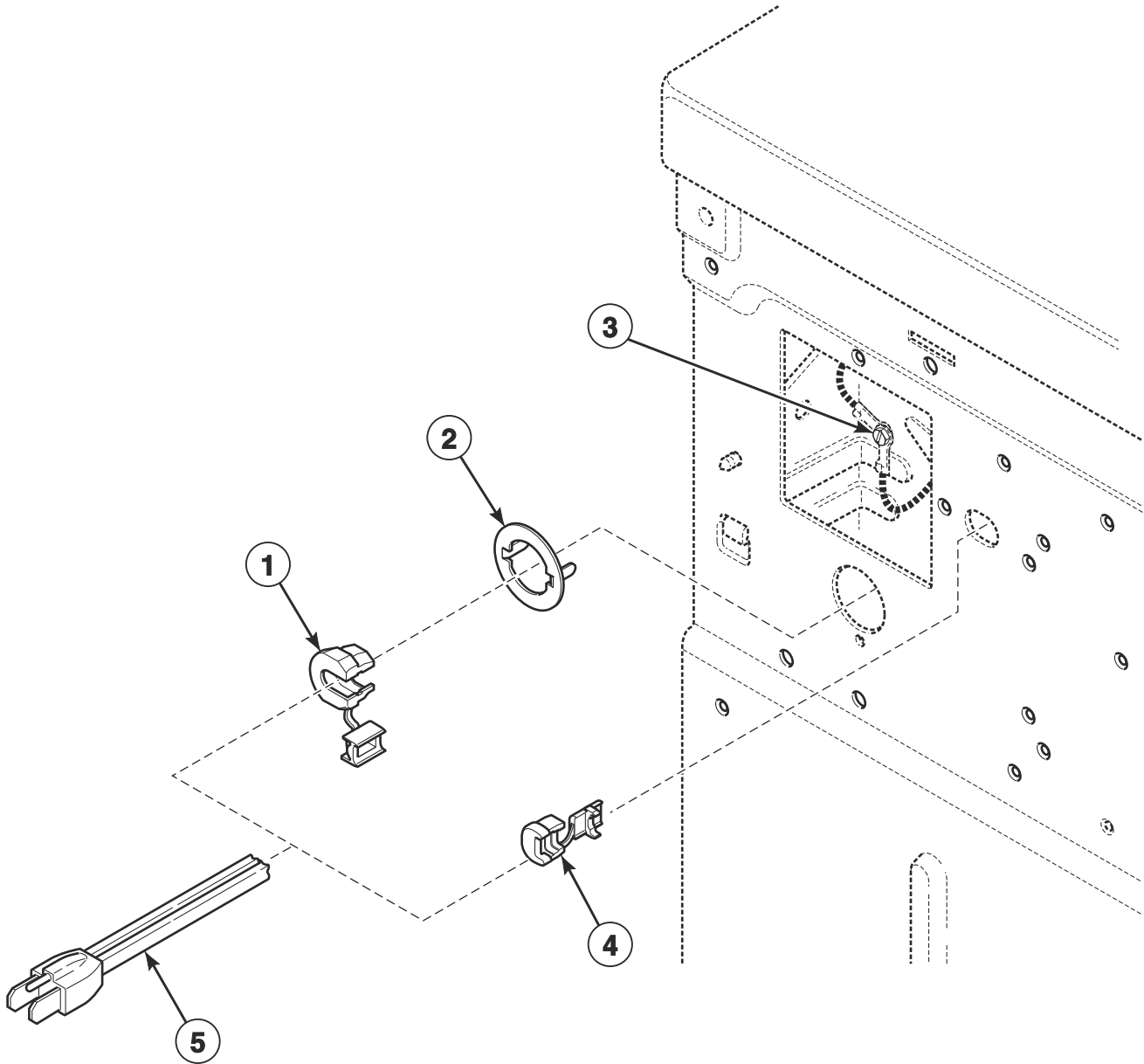
DRY2483P\_806105

# Ignition Control Module

| REF | PART NO.  | DESCRIPTION                    | COMMENTS |
|-----|-----------|--------------------------------|----------|
|     | D516881   | ICM Gas Harness                |          |
| 1   | D503688   | Screw                          |          |
| 2   | 202758    | Transformer                    |          |
| 3   | 56128     | Bumper Pad                     |          |
| 4   | 70483201P | Ignition Control               |          |
| 5   | D516261   | Screw                          |          |
| 6   | 44239706  | High Voltage Suppression Cable |          |
| 7   | M413431   | Pushbutton Switch              | Lighted  |
| 8   | D516237   | Switch Bracket                 |          |
| 9   | 38272     | Screw                          |          |

# Dryer Lead-In Cord

Models ATEE9ASG453NW36, ATEE9ASG455NW36, ATGE9ASP093CW01, ATGE9ASP095CW01, ATGE9ASP095CW14, ATHE9ASP453NW29, ATHE9ASP455NN29, ATHE9ASP455NW29, BTGE6ASP093CW01, BTGE6ASP113TW01, LTEE5FSP275TW01, LTGA5FSP113TW01, LTGE5ASP093CW01, LTGE5ASP095CW01, LTGE5ASP113TW01, LTGE5ASP115TW01, LTGE5ASP125MW01, LTGE5FSP115TW01, LTLE5ASP303NW35, LTLE5ASP543NW23, PTGE3FSP093CG01, PTGE3FSP095CG01, PTGE3FSP113TG01, PTGE3FSP115TG01, PTGE3FSP115TW01, PTHE9ASP455NG29, TTHE5ASP303NW36, TTPE5ASP303NW36, UTGE5ASP113TW01, UTGE5ASP113TW08, UTGE5ASP115TW01, UTGE5ASP115TW08, YTGE5ASP093CW01, YTGE5ASP095CW01, YTGE5ASP113TW01, YTGE5ASP115TW01, ZTGE9ASP096CW01, ZTHE9ASP455NN29 and ZTHE9ASP455NW29



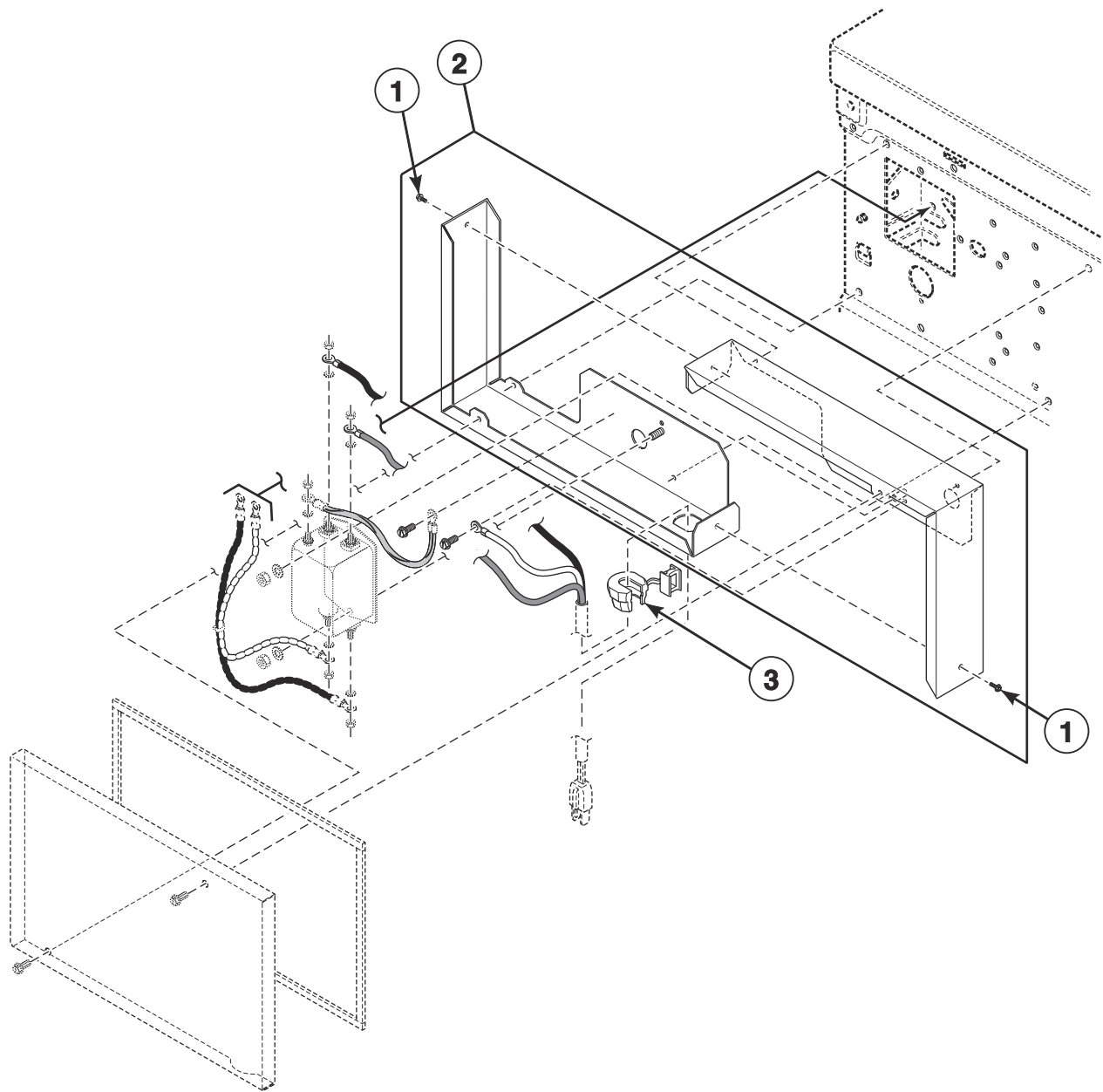
SWD1222P\_806105

## Dryer Lead-In Cord

| REF | PART NO. | DESCRIPTION             | COMMENTS  |
|-----|----------|-------------------------|---|
| 1   | D511628  | Strain Relief Connector | Models ATEE9ASG453NW36, ATEE9ASG455NW36, ATGE9ASP093CW01, ATGE9ASP095CW01, ATGE9ASP095CW14, BTGE6ASP093CW01, LTGE5ASP093CW01, LTGE5ASP095CW01, PTGE3FSP093CG01, PTGE3FSP095CG01, YTGE5ASP093CW01, YTGE5ASP095CW01 and ZTGE9ASP096CW01   |
| 2   | D502496  | Strain Relief Adapter   | Models ATEE9ASG453NW36, ATEE9ASG455NW36, ATHE9ASP453NW29, ATHE9ASP455NN29, ATHE9ASP455NW29, PTHE9ASP455NG29, TTHE5ASP303NW36, TTPE5ASP303NW36, ZTHE9ASP455NN29 and ZTHE9ASP455NW29  |
| 3   | 20530    | Screw                   |   |
| 4   | 52113    | Strain Relief           | Models ATHE9ASP453NW29, ATHE9ASP455NN29, ATHE9ASP455NW29, TTHE5ASP303NW36, TTPE5ASP303NW36, ZTHE9ASP455NN29 and ZTHE9ASP455NW29   |
|     | 38384    | Strain Relief           | Models ATHE9ASP453NW29, ATHE9ASP455NN29, ATHE9ASP455NW29, BTGE6ASP113TW01, LTGA5FSP113TW01, LTGE5ASP113TW01, LTGE5ASP115TW01, LTGE5ASP125MW01, LTGE5FSP115TW01, LTLE5ASP303NW35, LTLE5ASP543NW23, PTGE3FSP113TG01, PTGE3FSP115TG01, TTHE5ASP303NW36, TTPE5ASP303NW36, UTGE5ASP113TW01, UTGE5ASP113TW08, UTGE5ASP115TW01, UTGE5ASP115TW08, YTGE5ASP113TW01, YTGE5ASP115TW01, ZTHE9ASP455NN29 and ZTHE9ASP455NW29 |
|     | D517492  | Strain Relief           | Model PTHE9ASP455NG29   |
| 5   | 58992    | Power Cord Assembly     | Models ATGE9ASP093CW01, ATGE9ASP095CW01, ATGE9ASP095CW14, BTGE6ASP093CW01, LTGE5ASP093CW01, LTGE5ASP095CW01, PTGE3FSP093CG01, PTGE3FSP095CG01, YTGE5ASP093CW01, YTGE5ASP095CW01 and ZTGE9ASP096CW01   |
|     | D506081  | Power Cord Assembly     | Model LTLE5ASP303NW35   |
|     | D515971  | Lead-In Cord            | Models ATHE9ASP453NW29, ATHE9ASP455NN29, ATHE9ASP455NW29, PTHE9ASP455NG29, ZTHE9ASP455NN29 and ZTHE9ASP455NW29  |
|     | D516747  | Lead-In Cord Assembly   | Model TTHE5ASP303NW36   |
|     | D513632  | Lead-In Cord            | Models ATEE9ASG453NW36, ATEE9ASG455NW36 and TTPE5ASP303NW36   |
|     | 203344   | Lead-In Cord            | Model LTLE5ASP543NW23   |
|     | D510505P | Lead-In Cord Assembly   | Model LTEE5FSP275TW01   |
|     | 202777   | Lead-In Cord            | All other models  |

# Dryer Junction Box (Drawing 1 of 3)

Models LTEE5ASP133FW01, LTEE5ASP553KW01, LTGE5ASP113FW01, LTME5ASP543KW01, YTEE5ASP133FW01 and YTGE5ASP113FW01



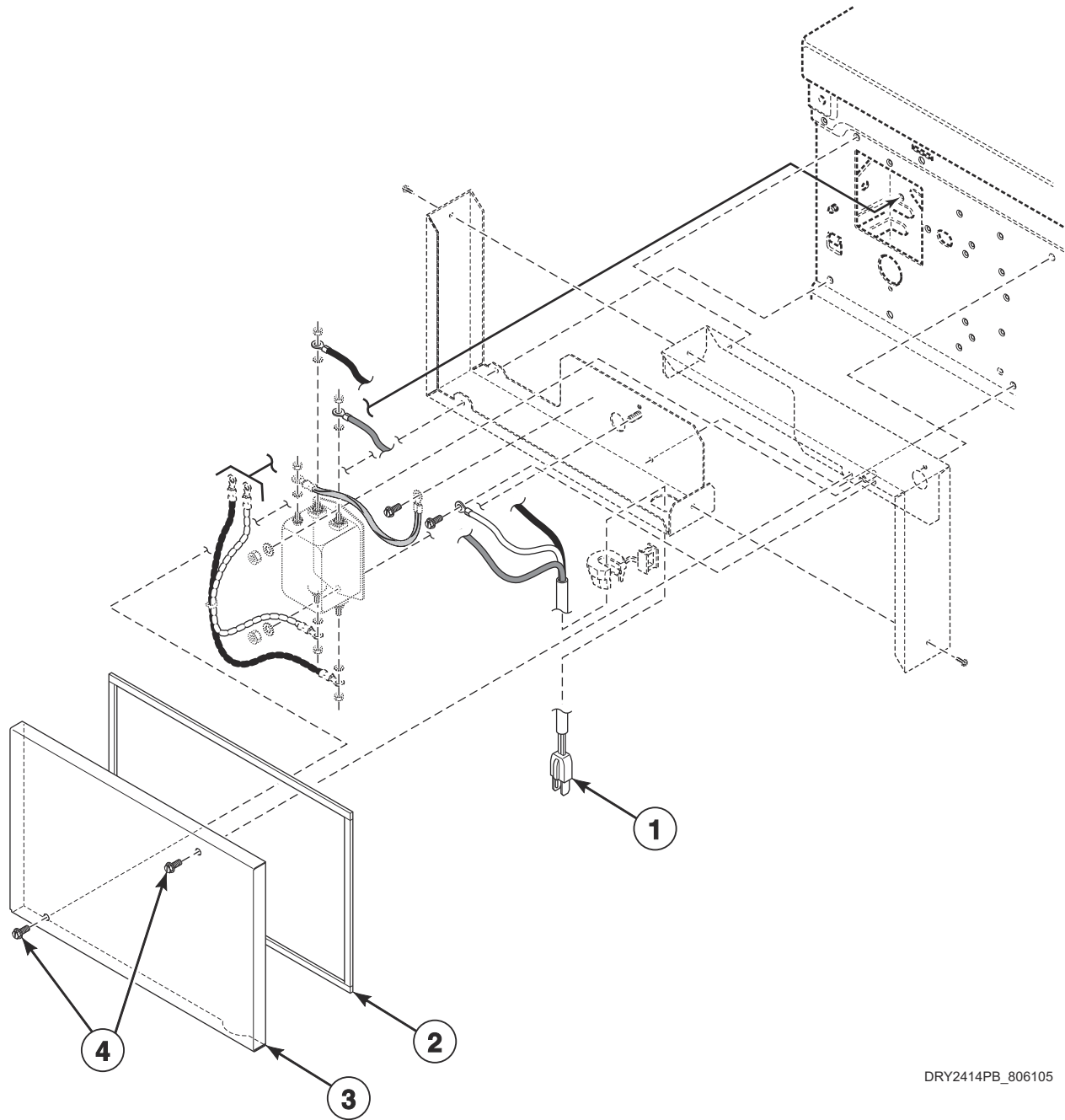
DRY2414P\_806105

## Dryer Junction Box (Drawing 1 of 3)

| REF      | PART NO. | DESCRIPTION           | COMMENTS  |
|----------|----------|-----------------------|---|
|          | D502510  | Ground Label          |   |
| <b>1</b> | D503688  | Screw                 |   |
| <b>2</b> | D516153  | Junction Box Assembly | Includes items 1 and 5; Models LTEE5ASP133FW01, LTEE5ASP553KW01 and YTEE5ASP133FW01 |
|          | D516152  | Junction Box Assembly | Includes items 1 and 5; Models LTGE5ASP113FW01, LTME5ASP543KW01 and YTGE5ASP113FW01 |
| <b>3</b> | 60298    | Strain Relief         | Models LTEE5ASP553KW01, LTGE5ASP113FW01, LTME5ASP543KW01 and YTGE5ASP113FW01        |
|          | 52113    | Strain Relief         | Models LTEE5ASP133FW01 and YTEE5ASP133FW01  |

# Dryer Junction Box (Drawing 2 of 3)

Models LTEE5ASP133FW01, LTEE5ASP553KW01, LTGE5ASP113FW01, LTME5ASP543KW01, YTEE5ASP133FW01 and YTGE5ASP113FW01



DRY2414PB\_806105

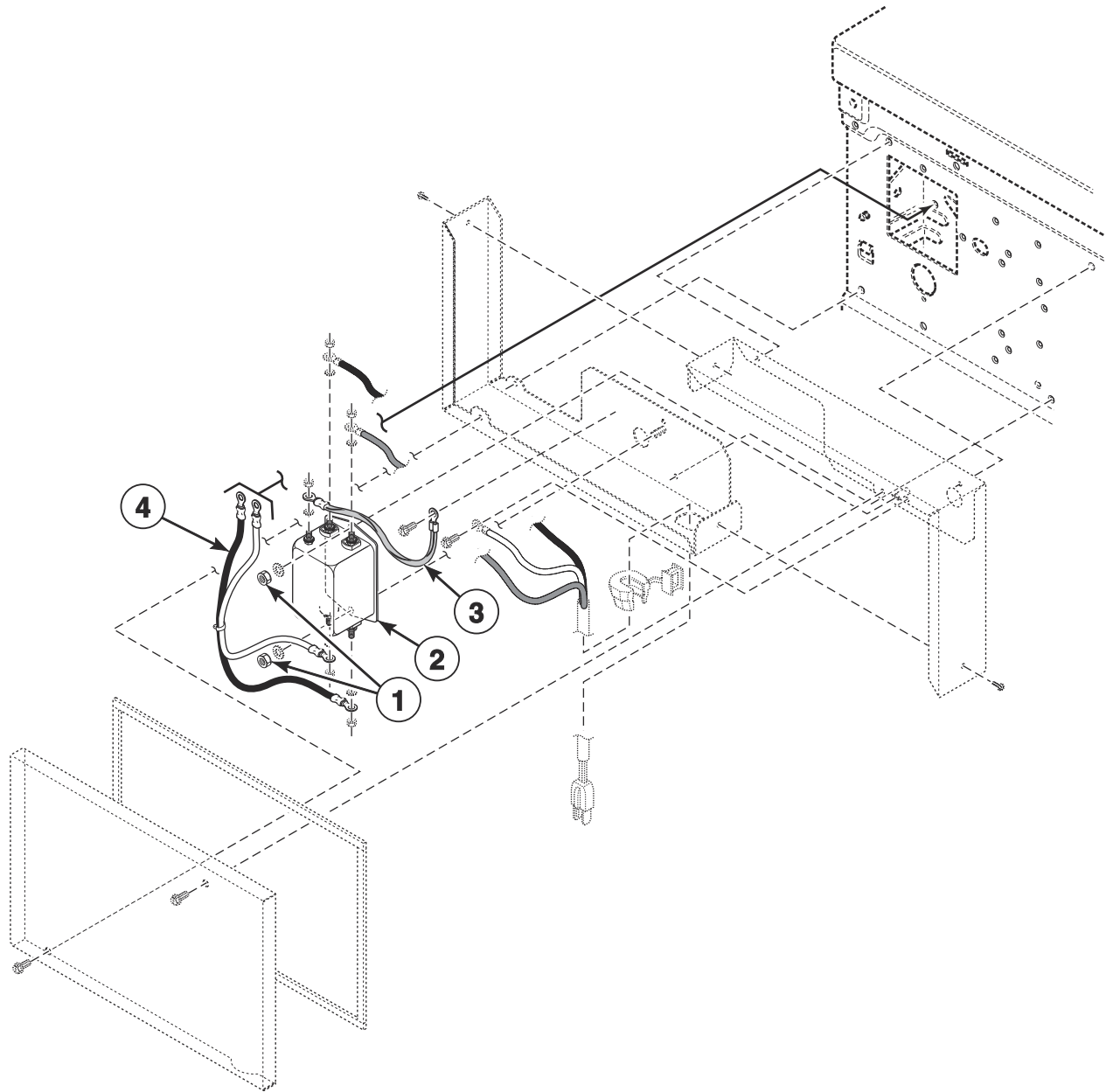


## Dryer Junction Box (Drawing 2 of 3)

| REF | PART NO. | DESCRIPTION           | COMMENTS                                   |
|-----|----------|-----------------------|--|
| 1   | D516747  | Lead-In Cord Assembly | Models LTEE5ASP133FW01 and YTEE5ASP133FW01 |
|     | D514953  | Lead-In Cord          | Models LTGE5ASP113FW01 and YTGE5ASP113FW01 |
|     | 59373    | Lead-In Cord          | Model LTEE5ASP553KW01                      |
|     | 202925   | Lead-In Cord          | Model LTME5ASP543KW01                      |
| 2   | D514379P | Junction Box Seal     |  |
| 3   | D514363  | Junction Box Cover    |  |
| 4   | D503661  | Screw                 |  |

# Dryer Junction Box (Drawing 3 of 3)

Models LTEE5ASP133FW01, LTEE5ASP553KW01, LTGE5ASP113FW01, LTME5ASP543KW01, YTEE5ASP133FW01 and YTGE5ASP113FW01



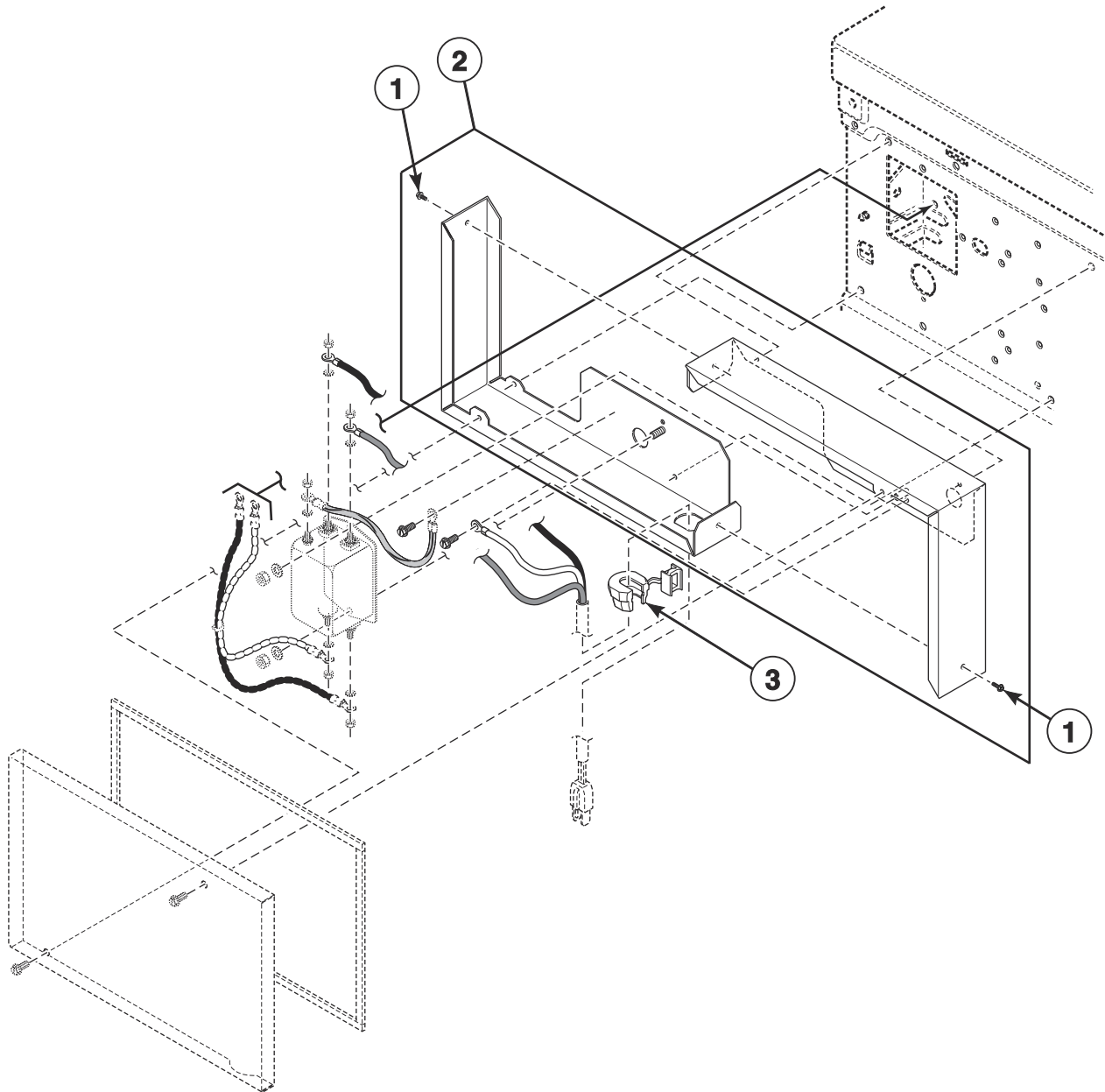
DRY2414PA\_806105

## Dryer Junction Box (Drawing 3 of 3)

| REF | PART NO. | DESCRIPTION           | COMMENTS  |
|-----|----------|-----------------------|---|
| 1   | 29787    | Nut                   |   |
| 2   | 804844   | Line Filter           | 30 Amp; 250 Volt/50 or 60 Hertz; Models LTEE5ASP133FW01, LTEE5ASP553KW01 and YTEE5ASP133FW01                            |
|     | 804864   | Line Filter           | 10 Amp; 250 Volt/50 or 60 Hertz; Models LTGE5ASP113FW01, LTME5ASP543KW01 and YTGE5ASP113FW01                            |
| 3   | D518534  | Ground Filter Harness | Filter to rear bulkhead (earth/ground); 30 Amp; Models LTEE5ASP133FW01, LTEE5ASP553KW01 and YTEE5ASP133FW01             |
|     | D514039  | Ground Filter Harness | Earth/ground; Models LTGE5ASP113FW01, LTME5ASP543KW01 and YTGE5ASP113FW01   |
| 4   | D518532  | Filter Harness        | Filter to terminal block; 30 Amp; Models LTEE5ASP133FW01, LTEE5ASP553KW01 and YTEE5ASP133FW01                           |
|     | D518533  | Filter Harness        | Filter to rear bulkhead (earth/ground) and harness; 10 Amp; Models LTGE5ASP113FW01, LTME5ASP543KW01 and YTGE5ASP113FW01 |

# Dryer Junction Box - Through Serial No. 1912999999 (Drawing 1 of 3)

Models ATEE9AGP435AW01, ATEE9ASP133DN04, ATEE9ASP133DW04, ATEE9ASP433XW34, ATEE9ASP435XW34, ATEE9ASP453LW26, ATEE9ASP455LN01, ATEE9ASP455LW01, ATEE9ASP543DN04, ATEE9ASP543DW04, ATEE9ASP545DW04, ATEE9ASP565XW01, ATEE9AWP433AW01, ATEE9AWP435AW01, ATGE9AGP305AW01, ATGE9ASP123DN04, ATGE9ASP123DW04, ATGE9ASP125DW04, ATGE9ASP303XW01, ATGE9ASP303XW26, ATGE9ASP305XW01, ATGE9ASP543DN04, ATGE9ASP543DW04, ATGE9ASP545DW04, ATGE9AWP303AW01, ATGE9AWP305AW01, ATLE9ASP305LW01, FTEE5ASP303ZW01, FTEE5ASP433LW01, LTEE5AGP133ZW30, LTEE5ASP303WW01, LTEE5ASP303WW37, LTEE5ASP303ZW01, LTEE5ASP433AW01, LTEE5ASP433AW12, LTEE5ASP453VW26, LTEE5ASP543RW01, LTGE5ASP113JW01, LTGE5ASP113TW01, LTGE5ASP303AW01, LTGE5ASP303AW12, LTLE5ASP303LW01, PTEE3FSP433AG01, PTGE3FSP303AG01, UTGE5ASP113TW01 and YTGE5ASP303NW21



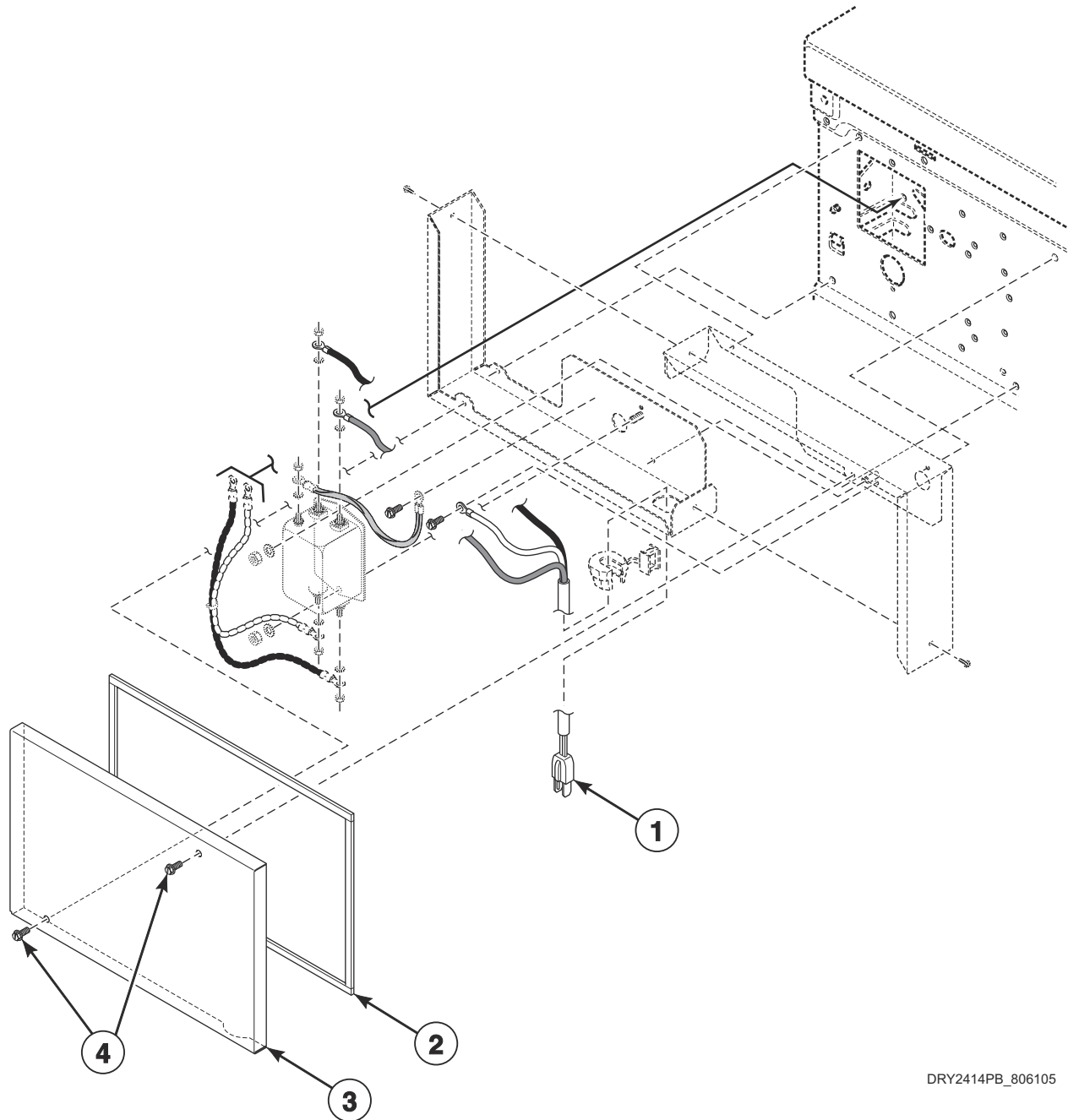
DRY2414P\_806105

# Dryer Junction Box - Through Serial No. 1912999999 (Drawing 1 of 3)

| REF | PART NO. | DESCRIPTION           | COMMENTS  |
|-----|----------|-----------------------|---|
|     | D502510  | Ground Label          |   |
|     | D514618  | Terminal Block Label  | L-N; Models ATGE9AGP305AW01, ATGE9AWP303AW01, ATGE9AWP305AW01, LTGE5ASP113JW01, LTGE5ASP303AW01, LTGE5ASP303AW12 and YTGE5ASP303NW21  |
| 1   | D503688  | Screw                 |   |
| 2   | D516153  | Junction Box Assembly | Includes items 1 and 5; Models ATEE9AGP435AW01, ATEE9ASP133DN04, ATEE9ASP133DW04, ATEE9ASP433XW34, ATEE9ASP435XW34, ATEE9ASP453LW26, ATEE9ASP455LN01, ATEE9ASP455LW01, ATEE9ASP543DN04, ATEE9ASP543DW04, ATEE9ASP545DW04, ATEE9ASP565XW01, ATEE9AWP433AW01, ATEE9AWP435AW01, FTEE5ASP303ZW01, FTEE5ASP433LW01, LTEE5AGP133ZW30, LTEE5ASP303WW01, LTEE5ASP303WW37, LTEE5ASP303ZW01, LTEE5ASP433AW01, LTEE5ASP433AW12, LTEE5ASP453VW26, LTEE5ASP543RW01 and PTEE3FSP433AG01 |
|     | D516152  | Junction Box Assembly | Includes items 1 and 5; Models ATGE9AGP305AW01, ATGE9ASP123DN04, ATGE9ASP123DW04, ATGE9ASP303XW01, ATGE9ASP303XW26, ATGE9ASP305XW01, ATGE9ASP543DN04, ATGE9ASP543DW04, ATGE9ASP545DW04, ATGE9AWP303AW01, ATGE9AWP305AW01, ATLE9ASP305LW01, LTGE5ASP113JW01, LTGE5ASP303AW01, LTGE5ASP303AW12, LTLE5ASP303LW01, PTGE3FSP303AG01 and YTGE5ASP303NW21  |
| 3   | 60298    | Strain Relief         | Models ATGE9AGP305AW01, ATGE9ASP123DN04, ATGE9ASP123DW04, ATGE9ASP303XW01, ATGE9ASP303XW26, ATGE9ASP305XW01, ATGE9ASP543DN04, ATGE9ASP543DW04, ATGE9ASP545DW04, ATGE9AWP303AW01, ATGE9AWP305AW01, ATLE9ASP305LW01, LTGE5ASP113JW01, LTGE5ASP303AW01, LTGE5ASP303AW12, LTLE5ASP303LW01, PTGE3FSP303AG01 and YTGE5ASP303NW21  |
|     | 52113    | Strain Relief         | Models ATEE9AGP435AW01, ATEE9ASP133DN04, ATEE9ASP133DW04, ATEE9ASP433XW34, ATEE9ASP435XW34, ATEE9ASP453LW26, ATEE9ASP455LN01, ATEE9ASP455LW01, ATEE9ASP543DN04, ATEE9ASP543DW04, ATEE9ASP545DW04, ATEE9ASP565XW01, ATEE9AWP433AW01, ATEE9AWP435AW01, FTEE5ASP303ZW01, FTEE5ASP433LW01, LTEE5AGP133ZW30, LTEE5ASP303WW01, LTEE5ASP303WW37, LTEE5ASP303ZW01, LTEE5ASP433AW01, LTEE5ASP433AW12, LTEE5ASP453VW26, LTEE5ASP543RW01 and PTEE3FSP433AG01                         |

# Dryer Junction Box - Through Serial No. 1912999999 (Drawing 2 of 3)

Models ATEE9AGP435AW01, ATEE9ASP133DN04, ATEE9ASP133DW04, ATEE9ASP433XW34, ATEE9ASP435XW34, ATEE9ASP453LW26, ATEE9ASP455LN01, ATEE9ASP455LW01, ATEE9ASP543DN04, ATEE9ASP543DW04, ATEE9ASP545DW04, ATEE9ASP565XW01, ATEE9AWP433AW01, ATEE9AWP435AW01, ATGE9AGP305AW01, ATGE9ASP123DN04, ATGE9ASP123DW04, ATGE9ASP125DW04, ATGE9ASP303XW01, ATGE9ASP303XW26, ATGE9ASP305XW01, ATGE9ASP543DN04, ATGE9ASP543DW04, ATGE9ASP545DW04, ATGE9AWP303AW01, ATGE9AWP305AW01, ATLE9ASP305LW01, FTEE5ASP303ZW01, FTEE5ASP433LW01, LTEE5AGP133ZW30, LTEE5ASP303WW01, LTEE5ASP303WW37, LTEE5ASP303ZW01, LTEE5ASP433AW01, LTEE5ASP433AW12, LTEE5ASP453VW26, LTEE5ASP543RW01, LTGE5ASP113JW01, LTGE5ASP113TW01, LTGE5ASP303AW01, LTGE5ASP303AW12, LTLE5ASP303LW01, PTEE3FSP433AG01, PTGE3FSP303AG01, UTGE5ASP113TW01 and YTGE5ASP303NW21



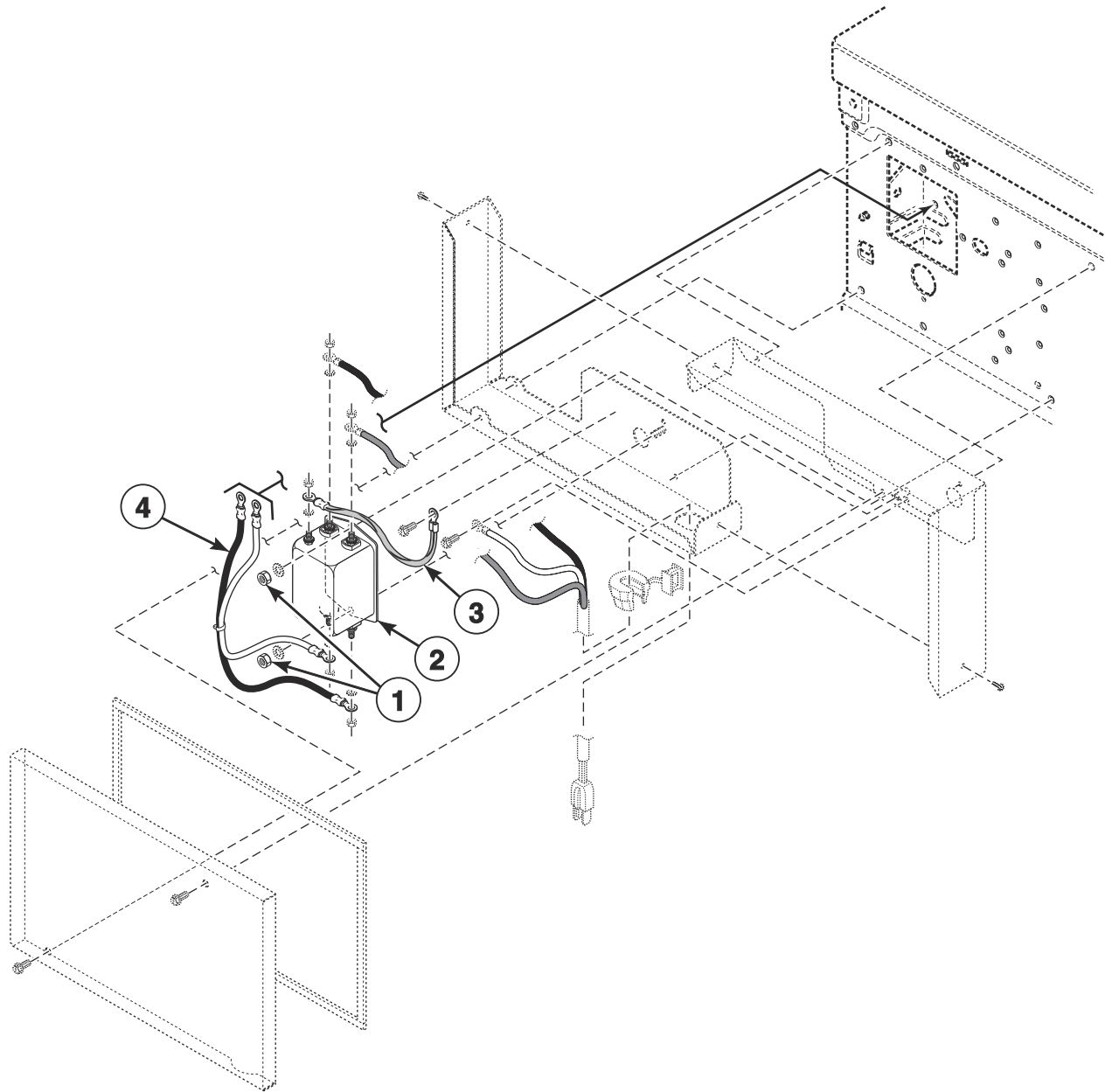
DRY2414PB\_806105

## Dryer Junction Box - Through Serial No. 1912999999 (Drawing 2 of 3)

| REF | PART NO. | DESCRIPTION           | COMMENTS  |
|-----|----------|-----------------------|---|
| 1   | 202926   | Lead-In Cord          | Models ATGE9AGP305AW01, ATGE9AWP303AW01, ATGE9AWP305AW01, LTGE5ASP303AW01, LTGE5ASP303AW12, PTGE3FSP303AG01 and YTGE5ASP303NW21   |
|     | D516747  | Lead-In Cord Assembly | Models ATEE9ASP133DN04, ATEE9ASP133DW04, ATEE9ASP433XW34, ATEE9ASP435XW34, ATEE9ASP453LW26, ATEE9ASP543DN04, ATEE9ASP543DW04, ATEE9ASP545DW04, FTEE5ASP303ZW01, FTEE5ASP433LW01, LTEE5ASP303WW01, LTEE5ASP303WW37, LTEE5ASP303ZW01, LTEE5ASP453VW26 and LTEE5ASP543RW01 |
|     | 61605P   | Lead-In Cord Kit      | Models ATEE9AGP435AW01, ATEE9AWP433AW01, ATEE9AWP435AW01, LTEE5ASP433AW01, LTEE5ASP433AW12 and PTEE3FSP433AG01  |
|     | D516611  | Lead-In Cord          | Model LTGE5ASP113JW01   |
|     | D514061  | Lead-In Cord          | Models ATGE9ASP123DN04, ATGE9ASP123DW04, ATGE9ASP125DW04, ATGE9ASP543DN04 and ATGE9ASP543DW04   |
|     | D516162  | Lead-In Cord          | Models ATEE9ASP453LW26, ATEE9ASP455LN01 and ATEE9ASP455LW01   |
|     | 203119   | Power Cord Assembly   | Models ATGE9ASP303XW01, ATGE9ASP303XW26 and ATGE9ASP305XW01   |
|     | D516390  | Lead-In Cord          | Model ATEE9ASP565XW01   |
|     | 203315   | Lead-In Cord          | Models ATLE9ASP305LW01 and LTLE5ASP303LW01  |
| 2   | D514379P | Junction Box Seal     |   |
| 3   | D516186  | Junction Box Cover    | Models LTEE5ASP303WW01 and LTEE5ASP303WW37  |
|     | D514363  | Junction Box Cover    | All other models  |
| 4   | D503661  | Screw                 |   |

# Dryer Junction Box - Through Serial No. 1912999999 (Drawing 3 of 3)

Models ATEE9AGP435AW01, ATEE9ASP133DN04, ATEE9ASP133DW04, ATEE9ASP433XW34, ATEE9ASP435XW34, ATEE9ASP453LW26, ATEE9ASP455LN01, ATEE9ASP455LW01, ATEE9ASP543DN04, ATEE9ASP543DW04, ATEE9ASP545DW04, ATEE9ASP565XW01, ATEE9AWP433AW01, ATEE9AWP435AW01, ATGE9AGP305AW01, ATGE9ASP123DN04, ATGE9ASP123DW04, ATGE9ASP125DW04, ATGE9ASP303XW01, ATGE9ASP303XW26, ATGE9ASP305XW01, ATGE9ASP543DN04, ATGE9ASP543DW04, ATGE9ASP545DW04, ATGE9AWP303AW01, ATGE9AWP305AW01, ATLE9ASP305LW01, FTEE5ASP303ZW01, FTEE5ASP433LW01, LTEE5AGP133ZW30, LTEE5ASP303WW01, LTEE5ASP303WW37, LTEE5ASP303ZW01, LTEE5ASP433AW01, LTEE5ASP433AW12, LTEE5ASP453VW26, LTEE5ASP543RW01, LTGE5ASP113JW01, LTGE5ASP113TW01, LTGE5ASP303AW01, LTGE5ASP303AW12, LTLE5ASP303LW01, PTEE3FSP433AG01, PTGE3FSP303AG01, UTGE5ASP113TW01 and YTGE5ASP303NW21



DRY2414PA\_806105

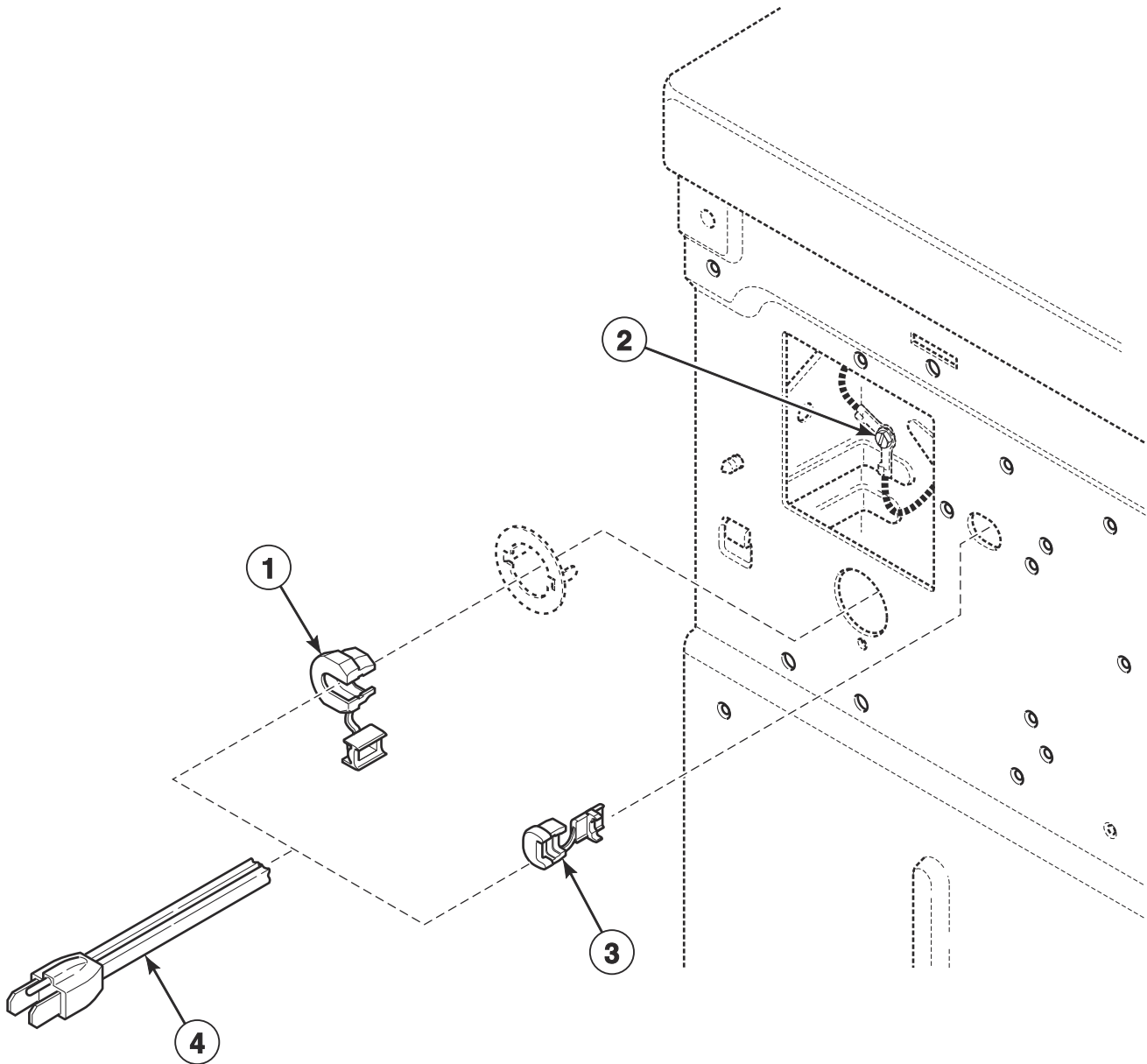


# Dryer Junction Box - Through Serial No. 1912999999 (Drawing 3 of 3)

| REF | PART NO. | DESCRIPTION           | COMMENTS  |
|-----|----------|-----------------------|---|
| 1   | 29787    | Nut                   |   |
| 2   | 804844   | Line Filter           | 30 Amp; 250 Volt/50 or 60 Hertz; Models ATEE9AGP435AW01, ATEE9ASP133DN04, ATEE9ASP133DW04, ATEE9ASP433XW34, ATEE9ASP435XW34, ATEE9ASP453LW26, ATEE9ASP455LN01, ATEE9ASP455LW01, ATEE9ASP543DN04, ATEE9ASP543DW04, ATEE9ASP545DW04, ATEE9ASP565XW01, ATEE9AWP433AW01, ATEE9AWP435AW01, FTEE5ASP303ZW01, FTEE5ASP433LW01, LTEE5AGP133ZW30, LTEE5ASP303WW01, LTEE5ASP303WW37, LTEE5ASP303ZW01, LTEE5ASP433AW01, LTEE5ASP433AW12, LTEE5ASP453VW26, LTEE5ASP543RW01 and PTEE3FSP433AG01                |
|     | 804864   | Line Filter           | 10 Amp; 250 Volt/50 or 60 Hertz; Models ATGE9AGP305AW01, ATGE9ASP123DN04, ATGE9ASP123DW04, ATGE9ASP125DW04, ATGE9ASP303XW01, ATGE9ASP303XW26, ATGE9ASP305XW01, ATGE9ASP543DN04, ATGE9ASP543DW04, ATGE9ASP545DW04, ATGE9AWP303AW01, ATGE9AWP305AW01, ATLE9ASP305LW01, LTGE5ASP113JW01, LTGE5ASP303AW01, LTGE5ASP303AW12, LTLE5ASP303LW01, PTGE3FSP303AG01 and YTGE5ASP303NW21  |
| 3   | D518534  | Ground Filter Harness | Filter to rear bulkhead (earth/ground); 30 Amp; Models ATEE9AGP435AW01, ATEE9ASP133DN04, ATEE9ASP133DW04, ATEE9ASP433XW34, ATEE9ASP435XW34, ATEE9ASP453LW26, ATEE9ASP455LN01, ATEE9ASP455LW01, ATEE9ASP543DN04, ATEE9ASP543DW04, ATEE9ASP545DW04, ATEE9ASP565XW01, ATEE9AWP433AW01, ATEE9AWP435AW01, FTEE5ASP303ZW01, FTEE5ASP433LW01, LTEE5AGP133ZW30, LTEE5ASP303WW01, LTEE5ASP303WW37, LTEE5ASP303ZW01, LTEE5ASP433AW01, LTEE5ASP433AW12, LTEE5ASP453VW26, LTEE5ASP543RW01 and PTEE3FSP433AG01 |
|     | D514039  | Ground Filter Harness | Earth/ground; Models ATEE9AWP435AW01, ATGE9ASP123DN04, ATGE9ASP123DW04, ATGE9ASP125DW04, ATGE9ASP305XW01, ATGE9ASP543DN04, ATGE9ASP543DW04, ATGE9ASP545DW04, ATGE9AWP303AW01, ATGE9AWP305AW01, LTGE5ASP113JW01, LTGE5ASP303AW01, LTGE5ASP303AW12, PTGE3FSP303AG01 and YTGE5ASP303NW21   |
| 4   | D518532  | Filter Harness        | Filter to terminal block; 30 Amp; Models ATEE9AGP435AW01, ATEE9ASP133DN04, ATEE9ASP133DW04, ATEE9ASP433XW34, ATEE9ASP435XW34, ATEE9ASP453LW26, ATEE9ASP455LN01, ATEE9ASP455LW01, ATEE9ASP543DN04, ATEE9ASP543DW04, ATEE9ASP545DW04, ATEE9ASP565XW01, ATEE9AWP433AW01, ATEE9AWP435AW01, FTEE5ASP303ZW01, FTEE5ASP433LW01, LTEE5AGP133ZW30, LTEE5ASP303WW01, LTEE5ASP303WW37, LTEE5ASP303ZW01, LTEE5ASP433AW01, LTEE5ASP433AW12, LTEE5ASP453VW26, LTEE5ASP543RW01 and PTEE3FSP433AG01               |
|     | D518533  | Filter Harness        | Filter to rear bulkhead (earth/ground) and harness; 10 Amp; Models ATGE9AGP305AW01, ATGE9ASP123DN04, ATGE9ASP123DW04, ATGE9ASP125DW04, ATGE9ASP543DN04, ATGE9ASP543DW04, ATGE9ASP545DW04, ATGE9AWP303AW01, ATGE9AWP305AW01, LTGE5ASP113JW01, LTGE5ASP303AW01, LTGE5ASP303AW12, PTGE3FSP303AG01 and YTGE5ASP303NW21  |
|     | 804396   | Filter Harness        | Filter to main harness; Models ATGE9ASP303XW01, ATGE9ASP303XW26 and ATGE9ASP305XW01   |

# Dryer Lead-In Cord - Starting Serial No. 2001000001

Models ATEE9AGP435AW01, ATEE9ASP133DN04, ATEE9ASP133DW04, ATEE9ASP433XW34, ATEE9ASP435XW34, ATEE9ASP453LW26, ATEE9ASP455LN01, ATEE9ASP455LW01, ATEE9ASP543DN04, ATEE9ASP543DW04, ATEE9ASP545DW04, ATEE9ASP565XW01, ATEE9AWP433AW01, ATEE9AWP435AW01, ATGE9AGP305AW01, ATGE9ASP123DN04, ATGE9ASP123DW04, ATGE9ASP125DW04, ATGE9ASP303XW01, ATGE9ASP303XW26, ATGE9ASP305XW01, ATGE9ASP543DN04, ATGE9ASP543DW04, ATGE9ASP545DW04, ATGE9AWP303AW01, ATGE9AWP305AW01, ATLE9ASP305LW01, FTEE5ASP303ZW01, FTEE5ASP433LW01, LTEE5AGP133ZW30, LTEE5ASP135MW01, LTEE5ASP303VW01, LTEE5ASP303VW37, LTEE5ASP303ZW01, LTEE5ASP433AW01, LTEE5ASP433AW12, LTEE5ASP453VW26, LTEE5ASP543RW01, LTGE5ASP113JW01, LTGE5ASP303AW01, LTGE5ASP303AW12, LTLE5ASP303LW01, PTEE3FSP433AG01, PTGE3FSP303AG01 and YTGE5ASP303NW21

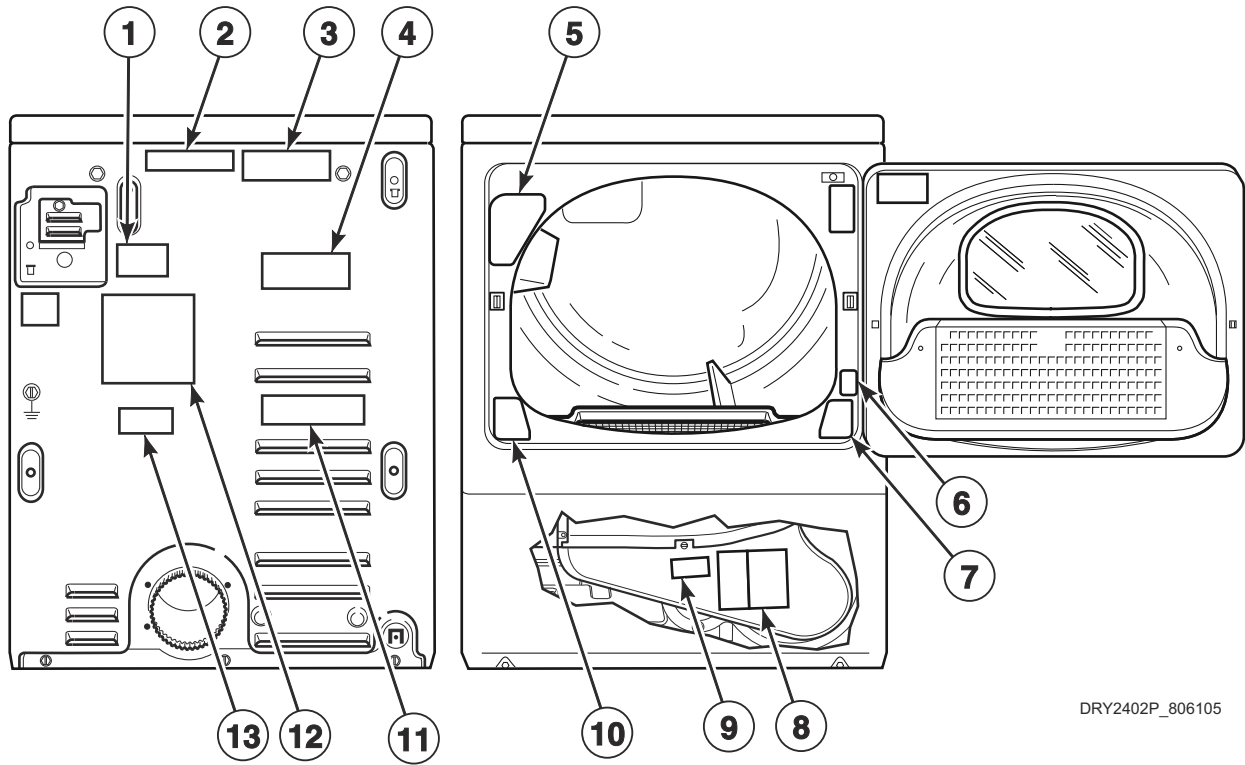


SWD1222PA\_806105

## Dryer Lead-In Cord - Starting Serial No. 2001000001

| REF | PART NO. | DESCRIPTION           | COMMENTS  |
|-----|----------|-----------------------|---|
|     | D506072  | Terminal Block Label  | L-N; Models ATEE9ASP435XW34, ATEE9ASP543DN04, ATEE9ASP545DW04, FTEE5ASP303ZW01, FTEE5ASP433LW01, LTEE5AGP133ZW30, LTEE5ASP135MW01, LTEE5ASP303WW01, LTEE5ASP303WW37 and LTEE5ASP303ZW01   |
| 1   | D517492  | Strain Relief         | Models ATEE9AGP435AW01, ATEE9ASP133DN04, ATEE9ASP133DW04, ATEE9ASP433XW34, ATEE9ASP435XW34, ATEE9ASP453LW26, ATEE9ASP455LN01, ATEE9ASP455LW01, ATEE9ASP543DN04, ATEE9ASP543DW04, ATEE9ASP545DW04, ATEE9ASP565XW01, ATEE9AWP433AW01, ATEE9AWP435AW01, FTEE5ASP303ZW01, FTEE5ASP433LW01, LTEE5AGP133ZW30, LTEE5ASP135MW01, LTEE5ASP303WW01, LTEE5ASP303WW37, LTEE5ASP303ZW01, LTEE5ASP433AW01, LTEE5ASP433AW12, LTEE5ASP453VW26, LTEE5ASP543RW01, PTEE3FSP433AG01 and YTGE5ASP303NW21 |
| 2   | 20530    | Screw                 |   |
| 3   | D517491  | Strain Relief         | Models ATGE9AGP305AW01, ATGE9ASP123DN04, ATGE9ASP123DW04, ATGE9ASP125DW04, ATGE9ASP303XW01, ATGE9ASP303XW26, ATGE9ASP305XW01, ATGE9ASP543DN04, ATGE9ASP543DW04, ATGE9ASP545DW04, ATGE9AWP303AW01, ATGE9AWP305AW01, ATLE9ASP305LW01, LTGE5ASP113JW01, LTGE5ASP303AW01, LTGE5ASP303AW12, LTLE5ASP303LW01 and PTGE3FSP303AG01  |
| 4   | 202926   | Lead-In Cord          | Models ATGE9AGP305AW01, ATGE9AWP303AW01, ATGE9AWP305AW01, LTGE5ASP303AW01, LTGE5ASP303AW12, PTGE3FSP303AG01 and YTGE5ASP303NW21   |
|     | D516747  | Lead-In Cord Assembly | Models ATEE9ASP133DN04, ATEE9ASP133DW04, ATEE9ASP433XW34, ATEE9ASP435XW34, ATEE9ASP453LW26, ATEE9ASP543DN04, ATEE9ASP543DW04, ATEE9ASP545DW04, FTEE5ASP303ZW01, FTEE5ASP433LW01, LTEE5ASP135MW01, LTEE5ASP303WW01, LTEE5ASP303WW37, LTEE5ASP303ZW01, LTEE5ASP453VW26 and LTEE5ASP543RW01  |
|     | 61605P   | Lead-In Cord Kit      | Models ATEE9AGP435AW01, ATEE9AWP433AW01, ATEE9AWP435AW01, LTEE5ASP433AW01, LTEE5ASP433AW12 and PTEE3FSP433AG01  |
|     | D516611  | Lead-In Cord          | Model LTGE5ASP113JW01   |
|     | D514061  | Lead-In Cord          | Models ATGE9ASP123DN04, ATGE9ASP123DW04, ATGE9ASP125DW04, ATGE9ASP543DN04 and ATGE9ASP543DW04   |
|     | D516162  | Lead-In Cord          | Models ATEE9ASP453LW26, ATEE9ASP455LN01 and ATEE9ASP455LW01   |
|     | 203119   | Power Cord Assembly   | Models ATGE9ASP303XW01, ATGE9ASP303XW26 and ATGE9ASP305XW01   |
|     | D516390  | Lead-In Cord          | Model ATEE9ASP565XW01   |
|     | 203315   | Lead-In Cord          | Models ATLE9ASP305LW01 and LTLE5ASP303LW01  |

# Dryer Labels

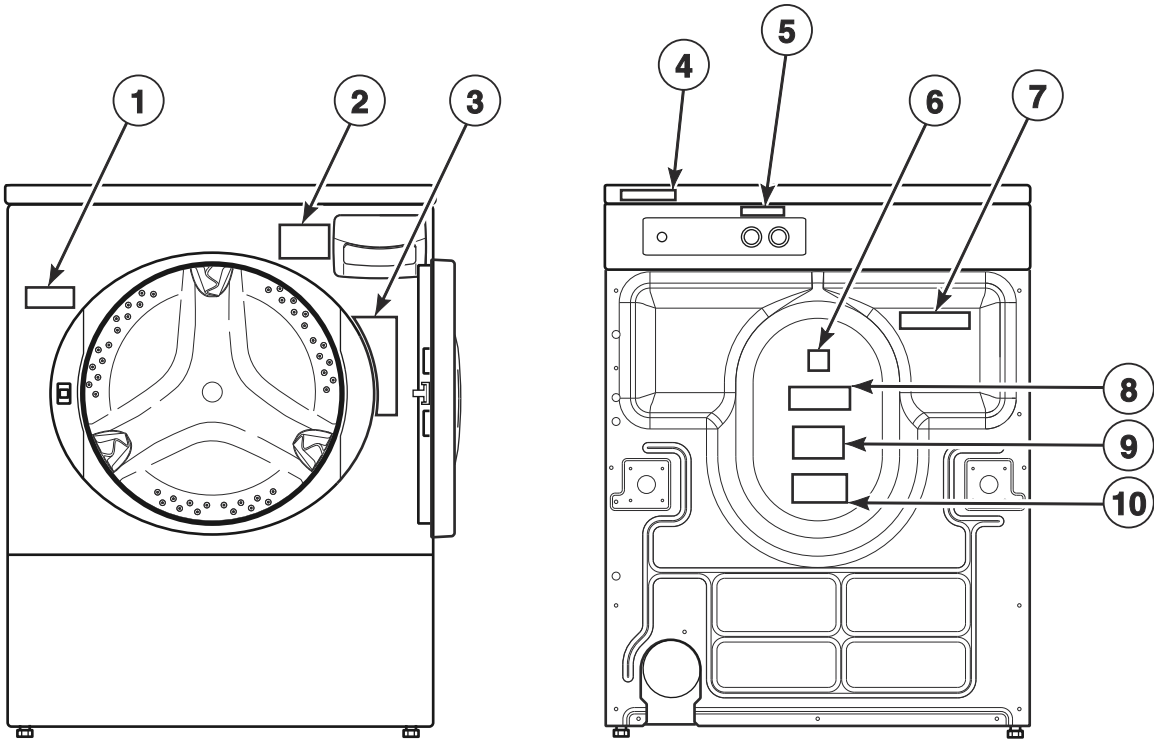


DRY2402P\_806105

# Dryer Labels

| REF | PART NO. | DESCRIPTION                    | COMMENTS  |
|-----|----------|--------------------------------|---|
| 1   | 803260   | Warning Label                  | Turn off controls   |
| 2   | D505281  | Disconnect Power Warning Label | Text; English   |
|     | D500316  | Warning Label                  | English/French; Disconnect power  |
| 3   | 44324001 | Warning Label                  | Text; Electric shock  |
| 4   | D502791  | Venting Instruction Label      |   |
| 5   | D500281  | Warning/Caution Label          | English   |
|     | D514226  | Warning Label                  | Brazilian Portuguese  |
|     | D514867  | Warning Label                  | Thai  |
|     | D514866  | Warning Label                  | Japanese  |
|     | D514410  | Warning Label                  | Arabic; Right side of opening   |
|     | D516187  | Warning Label                  | Vietnamese  |
|     | D516243  | Warning Label                  | Quebec French; Right side of opening  |
|     | D514863  | Front Panel Label              | Chinese   |
|     | D514864  | Front Panel Label              | Korean  |
|     | D516514  | Warning Label                  | Spanish   |
| 6   | D503887  | Label                          | Australian gas association  |
|     | D500240  | Natural/L.P. Gas Label         | English/Quebec French   |
| 7   | D512263  | Warning Label                  |   |
| 8   | D511004  | Gas Clearance Label            |   |
|     | D513341  | Clearance Label                | Models ATEE9ASP283CW01, ATEE9ASP285CW01, ATEE9ASP285CW14, BTEE6ASP283CW01, LTEE5ASP283CW01, LTEE5ASP285CW01, PTEE3FSP283CG01, PTEE3FSP285CG01, UTEE5ASP283CW01, UTEE5ASP285CW01, YTEE5ASP283CW01, YTEE5ASP285CW01 and ZTEE9ASP286CW01 |
| 9   | D500049  | Warning Label                  | Text; Electric shock, rotating parts  |
|     | F8211201 | Electrical Shock Label         | Icon; Electric shock  |
|     | F8615701 | Pinch Warning Label            | Icon; Crush hazard  |
|     | F8614201 | Shock Warning Label            | Icon; Electric shock  |
| 10  | D502781  | Lint Filter Label              | Icon  |
| 11  | D505215  | Gas Label                      | Text; Stainless steel flexible gas line   |
| 12  | D511005  | Electric Clearance Label       |   |
| 13  | D500497  | Exhaust Warning Label          | Text  |
|     | D502507  | Exhaust Warning Label          | Icon  |
|     | 44321601 | Warning Label                  | Icon; Fire  |

# Washer Labels

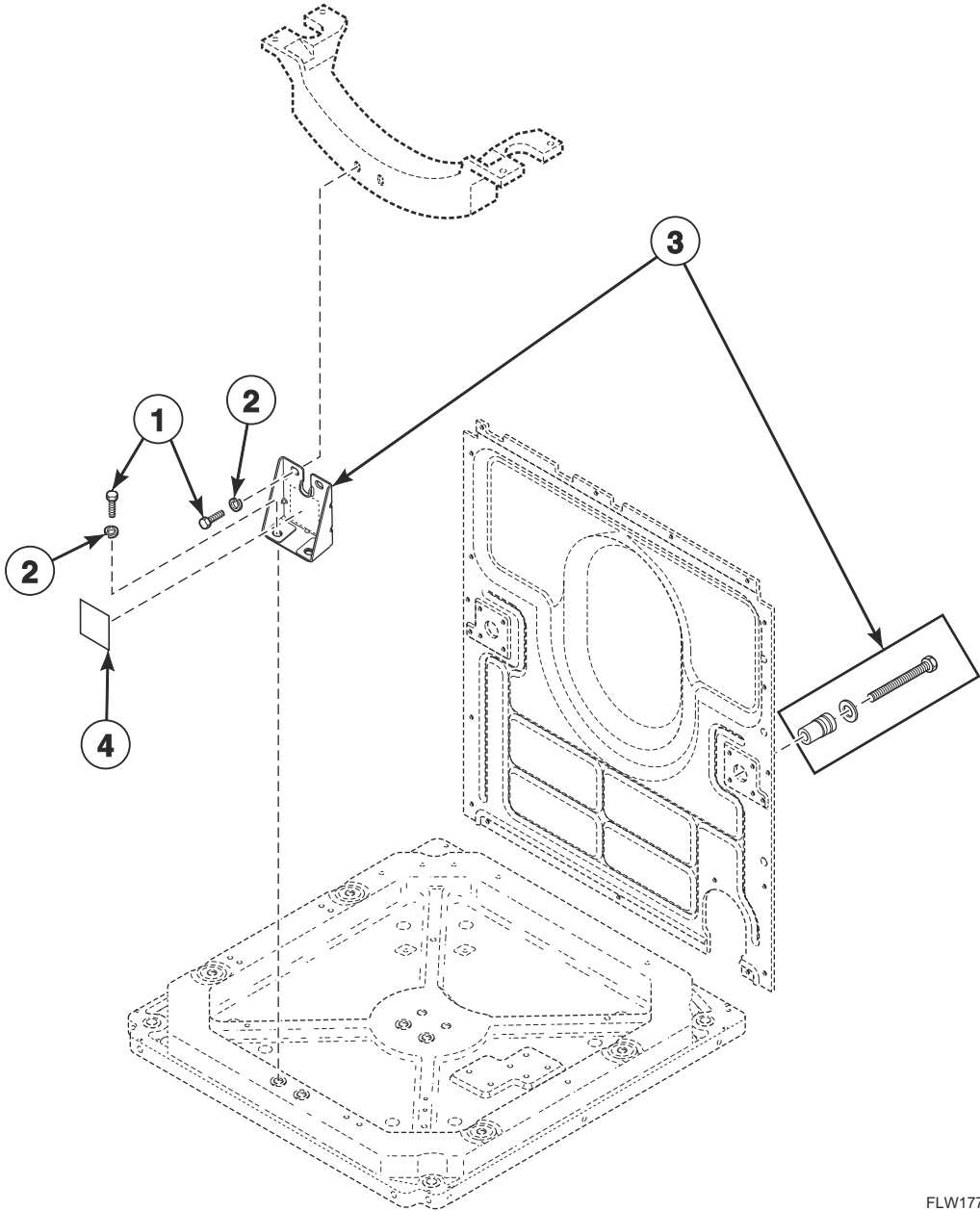


FLW1812P\_806105

## Washer Labels

| REF | PART NO. | DESCRIPTION                    | COMMENTS   |
|-----|----------|--------------------------------|--|
| 1   | 803011   | Notice Label                   |  |
| 2   | 802074   | Oversudsing Label              | English  |
|     | 802838   | Oversudsing Label              | Spanish  |
|     | 802839   | Oversudsing Label              | Quebec French  |
| 3   | 802367   | Warning Label                  | Reduce fire risk; Door locked; English   |
|     | 806591   | Warning Label                  | Reduce fire risk; Door locked; English/Quebec French   |
|     | 805965   | Warning Label                  | Reduce fire risk; Door locked; Korean  |
|     | 805966   | Warning Label                  | Reduce fire risk; Door locked; Thai  |
|     | 804924   | Warning Label                  | Reduce fire risk; Door locked; Arabic  |
|     | 805962   | Warning Label                  | Reduce fire risk; Door locked; Japanese  |
|     | 805964   | Warning Label                  | Reduce fire risk; Door locked; Chinese   |
|     | 804933   | Warning Label                  | Reduce fire risk; Door locked; Vietnamese  |
|     | 805965   | Warning Label                  | Reduce fire risk; Door locked; Spanish   |
| 4   | D515714  | Warning Label                  | Dual supply; Chinese; Models ATHE9ASP453NW29, ATHE9ASP455NN29, ATHE9ASP455NW29, PTHE9ASP455NG29, ZTHE9ASP455NN29 and ZTHE9ASP455NW29 |
|     | D515728  | Warning Label                  | Dual supply; Korean; Models LTEE5ASP553KW01 and LTME5ASP543KW01  |
|     | D515692  | Warning Label                  | Dual supply; English; Model ATEE9ASP565XW01  |
|     | D515740  | Warning Label                  | Dual supply; Thai; Models ATLE9ASP305LW01, FTEE5ASP433LW01 and LTLE5ASP303LW01   |
|     | D515738  | Warning Label                  | Dual supply; Spanish; Models LTEE5ASP135MW01 and LTGE5ASP125MW01   |
| 5   | 806454   | Hot/Cold Label                 | Chinese; Models ATHE9ASP453NW29, ATHE9ASP455NN29, ATHE9ASP455NW29, PTHE9ASP455NG29, ZTHE9ASP455NN29 and ZTHE9ASP455NW29              |
| 6   | D516073  | Notice Label                   |  |
| 7   | D505281  | Disconnect Power Warning Label | English  |
|     | 801706   | Caution Label                  | Icon; Ground machine   |
|     | D500316  | Warning Label                  | English/French; Disconnect power   |
|     | D516100  | Label                          | Earth ground   |
| 8   | 685928   | Left Hand Thread Label         | Text; Left hand thread   |
|     | 804949   | Left Hand Thread Label         | Icon; Left hand thread   |
| 9   | 803260   | Warning Label                  | Text; Disconnect power   |
|     | F8211201 | Electrical Shock Label         | Icon; Electric shock   |
|     | F8614201 | Shock Warning Label            | Icon; Electric shock   |
| 10  | D500049  | Warning Label                  | English  |
|     | D500314  | Warning Label                  | English/French   |
|     | F8615701 | Pinch Warning Label            | Icon; Crush hazard   |

# Shipping Materials



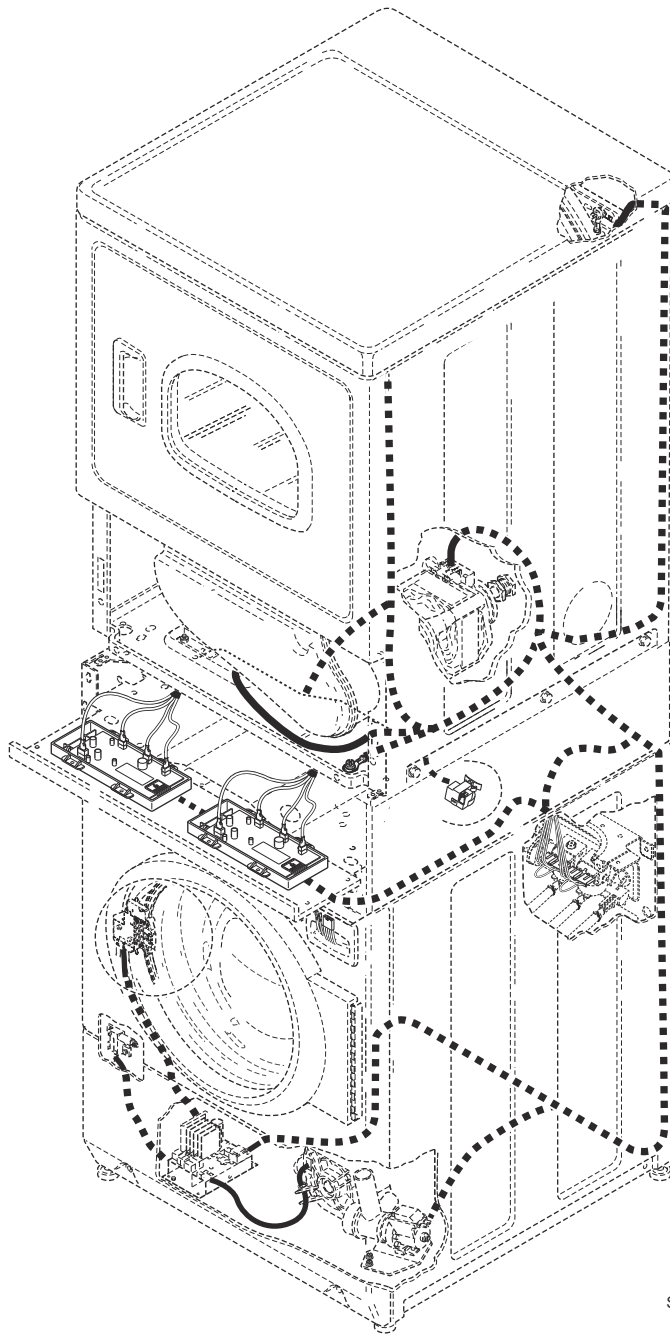
FLW1779P\_806105



# Shipping Materials

| REF | PART NO. | DESCRIPTION            | COMMENTS   |
|-----|----------|------------------------|--|
| 1   | M400043  | Screw                  |  |
| 2   | M400014  | Washer                 |  |
| 3   | 805729   | Shipping Materials Kit | Includes shipping brace, shipping spacer assembly and labels |
| 4   | 686901   | Shipping Bracket Label |  |

# Miscellaneous Wire Harnesses and Wires



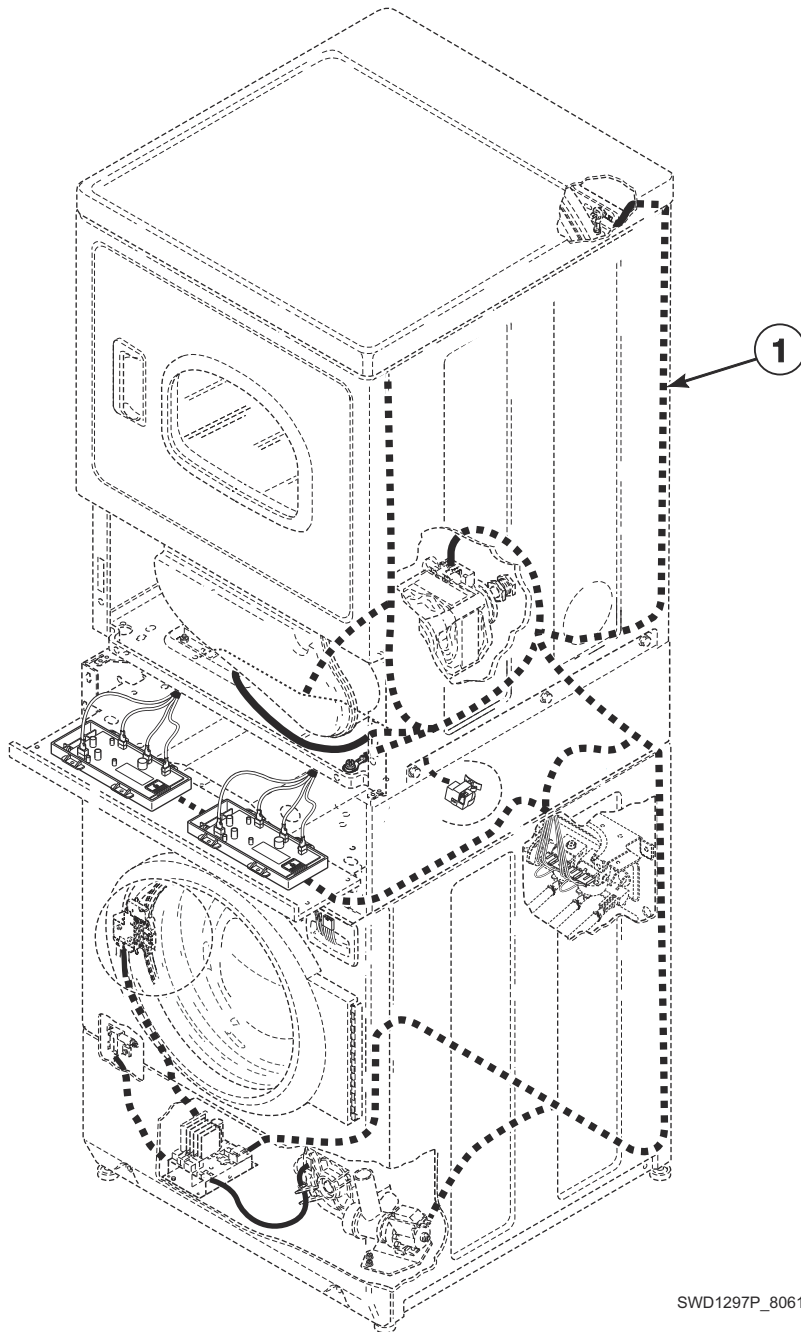
SWD1297PB\_806105

## Miscellaneous Wire Harnesses and Wires

| REF     | PART NO. | DESCRIPTION            | COMMENTS   |
|---------|----------|------------------------|--|
| 45001   |          | 18 Gauge Wire          | Black; Order wire by the foot and terminals as required; Model ATEE9ASP286CW01   |
| 45380   |          | 12 Gauge Wire          | Orange; Order wire by the foot and terminals as required; Model ATEE9ASP286CW01  |
| D517236 |          | Broken Belt Harness    | Model ATEE9ASP286CW01  |
| D516363 |          | Cylinder Light Harness | Model ATEE9ASP286CW01  |
| 805684  |          | Harness                | Main harness to dryer base; Models ATEE9ASP283CW01, ATEE9ASP285CW01, ATEE9ASP285CW14, ATEE9ASP286CW01, ATGE9ASP093CW01, ATGE9ASP095CW01, ATGE9ASP095CW14, BTEE6ASP283CW01, BTGE6ASP093CW01, LTEE5ASP283CW01, LTEE5ASP285CW01, LTEE5ASP293CW01, LTEE5ASP295CW01, LTEE5FSP275TW01, LTGE5ASP093CW01, LTGE5ASP095CW01, UTEE5ASP283CW01, UTEE5ASP285CW01, YTEE5ASP283CW01, YTEE5ASP285CW01, YTGE5ASP093CW01, YTGE5ASP095CW01, ZTEE9ASP286CW01 and ZTGE9ASP096CW01; through 12/31/21 |
| 808123  |          | Harness                | Main harness to dryer base; Models ATEE9ASP283CW01, ATEE9ASP285CW01, ATEE9ASP285CW14, ATEE9ASP286CW01, ATGE9ASP093CW01, ATGE9ASP095CW01, ATGE9ASP095CW14, BTEE6ASP283CW01, BTGE6ASP093CW01, LTEE5ASP283CW01, LTEE5ASP285CW01, LTEE5ASP293CW01, LTEE5ASP295CW01, LTEE5FSP275TW01, LTGE5ASP093CW01, LTGE5ASP095CW01, UTEE5ASP283CW01, UTEE5ASP285CW01, YTEE5ASP283CW01, YTEE5ASP285CW01, YTGE5ASP093CW01, YTGE5ASP095CW01, ZTEE9ASP286CW01 and ZTGE9ASP096CW01; starting 1/1/22  |
| D514044 |          | Power Harness          | Models ATEE9ASP283CW01, ATEE9ASP285CW01, ATEE9ASP285CW14, ATEE9ASP286CW01, BTEE6ASP283CW01, LTEE5ASP283CW01, LTEE5ASP285CW01, LTEE5FSP275TW01, PTEE3FSP283CG01, PTEE3FSP285CG01, UTEE5ASP283CW01, UTEE5ASP285CW01, YTEE5ASP283CW01, YTEE5ASP285CW01 and ZTEE9ASP286CW01; through 12/31/21  |
| D518656 |          | Power Harness          | Models ATEE9ASP283CW01, ATEE9ASP285CW01, ATEE9ASP285CW14, ATEE9ASP286CW01, BTEE6ASP283CW01, LTEE5ASP283CW01, LTEE5ASP285CW01, LTEE5FSP275TW01, PTEE3FSP283CG01, PTEE3FSP285CG01, UTEE5ASP283CW01, UTEE5ASP285CW01, YTEE5ASP283CW01, YTEE5ASP285CW01 and ZTEE9ASP286CW01; starting 1/1/22   |
| D518536 |          | Gas Power Harness      | Models ATGE9ASP093CW01, ATGE9ASP095CW01, ATGE9ASP095CW14, BTGE6ASP093CW01, LTGE5ASP093CW01, LTGE5ASP095CW01, PTGE3FSP093CG01, PTGE3FSP095CG01, YTGE5ASP093CW01, YTGE5ASP095CW01 and ZTGE9ASP096CW01  |
| D518710 |          | Power Harness          | Models FTGE5ASP303NW10 and LTLE5ASP543NW23   |

**NOTE: Individual wires are not available separately. Order complete wire harness, or order wire by the foot. When applying terminals to wires, it is recommended that the terminals be soldered to the wires.**

# Dryer Wire Harnesses - Through Serial No. 1912999999



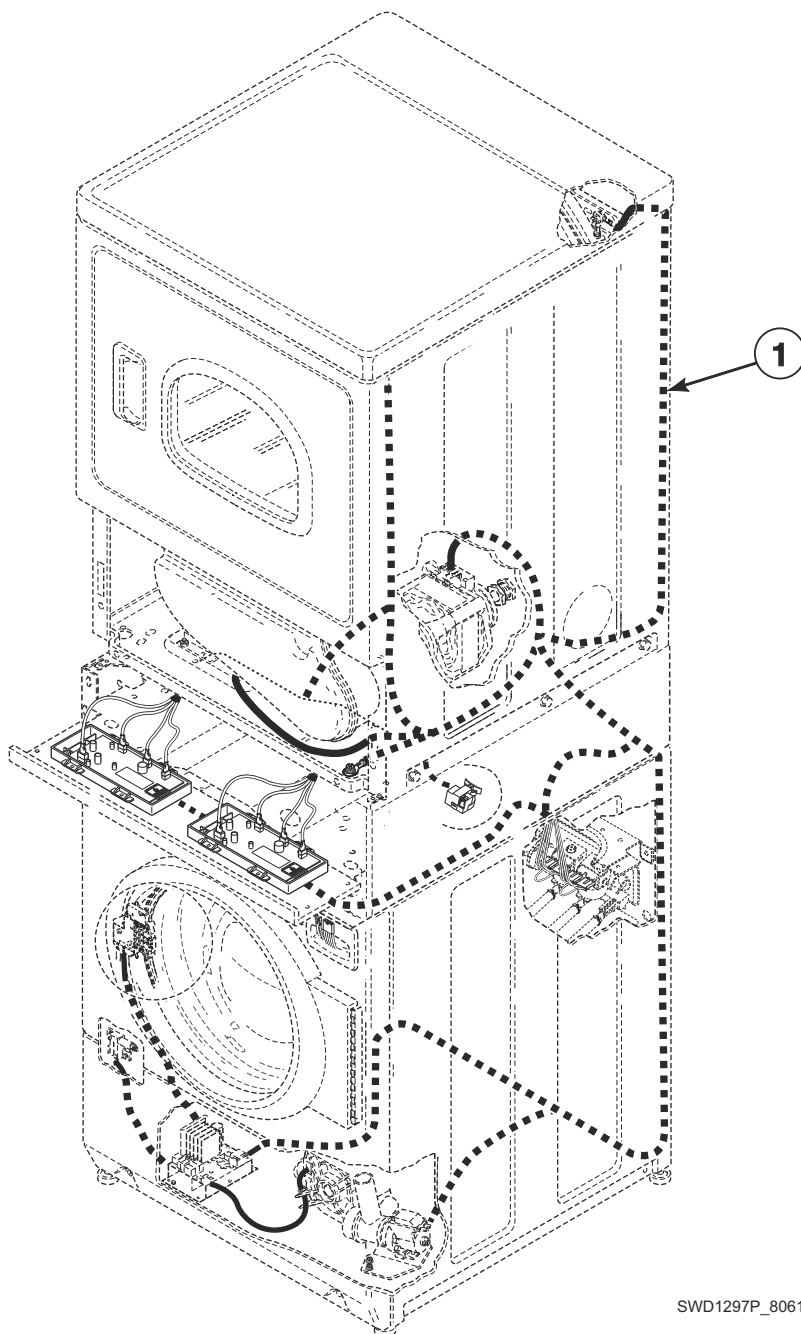
SWD1297P\_806105

# Dryer Wire Harnesses - Through Serial No. 1912999999

| REF | PART NO. | DESCRIPTION            | COMMENTS   |
|-----|----------|------------------------|--|
| 1   | D517094  | Upper Gas Harness      | Models ATGE9ASP093CW01, ATGE9ASP095CW01, ATGE9ASP095CW14, BTGE6ASP093CW01, BTGE6ASP113TW01, LTGA5FSP113TW01, LTGE5ASP093CW01, LTGE5ASP095CW01, LTGE5ASP113FW01, LTGE5ASP113JW01, LTGE5ASP113TW01, LTGE5ASP115TW01, LTGE5FSP115TW01, PTGE3FSP093CG01, PTGE3FSP095CG01, PTGE3FSP113TG01, PTGE3FSP115TG01, PTGE3FSP115TW01, UTGE5ASP113TW01, UTGE5ASP113TW08, UTGE5ASP115TW01, UTGE5ASP115TW08, YTGE5ASP093CW01, YTGE5ASP095CW01, YTGE5ASP113FW01, YTGE5ASP113TW01, YTGE5ASP115TW01 and ZTGE9ASP096CW01 |
|     | D517098  | Upper Gas Harness      | Models FTGE5ASP303NW10, LTGE5ASP303AW01, LTGE5ASP303AW12, LTLE5ASP303LW01, LTLE5ASP303NW35, LTLE5ASP543NW23, PTGE3FSP303AG01 and TTPE5ASP303NW36   |
|     | D517242  | Upper Electric Harness | Models ATEE9ASP133DN04, ATEE9ASP133DW04, ATEE9ASP433XW34, ATEE9ASP453LW26, ATEE9ASP543DW04, ATEE9AWP433AW01 and ATHE9ASP453NW29; Model ATEE9ASP543DN04 through Serial Nos. beginning 1808  |
|     | D517100  | Upper Gas Harness      | Models ATGE9ASP303XW01, ATGE9ASP303XW26, ATGE9ASP543DW04, ATGE9AWP303AW01 and ATLE9ASP305LW01; Model ATGE9ASP543DN04 through Serial Nos. beginning 1808  |
|     | D516877  | Main Harness           | Model LTME5ASP543KW01  |
|     | D517096  | Gas Harness            | Model ATGE9ASP123DW04; Model ATGE9ASP123DN04 through Serial Nos. beginning 1808  |
|     | D516757  | Upper Gas Harness      | Model ATGE9ASP125DW04; Model ATGE9ASP123DN04 starting Serial Nos. beginning 1808   |
|     | D516758  | Upper Electric Harness | Models ATEE9AGP435AW01, ATEE9ASG455NW36, ATEE9ASP435XW34, ATEE9ASP455LN01, ATEE9ASP455LW01, ATEE9ASP545DW04, ATEE9ASP565XW01, ATEE9AWP435AW01, ATHE9ASP455NN29, ATHE9ASP455NW29, PTHE9ASP455NG29, ZTHE9ASP455NN29 and ZTHE9ASP455NW29; Model ATEE9ASP543DN04 starting Serial Nos. beginning 1808   |
|     | D516765  | Upper Gas Harness      | Models ATGE9AGP305AW01, ATGE9ASP305XW01, ATGE9ASP545DW04 and ATGE9AWP305AW01; Model ATGE9ASP543DN04 starting Serial Nos. beginning 1808  |
|     | D516756  | Upper Electric Harness | Model UTEE5ASP173TW01  |
|     | D517211  | Upper Gas Harness      | Model YTGE5ASP303NW21  |
|     | D517204  | Upper Harness          | Model FTGE5ASP433LW01  |
|     | D517238  | Upper Electric Harness | All other models   |

**NOTE: Individual wires are not available separately. Order complete wire harness, or order wire by the foot. When applying terminals to wires, it is recommended that the terminals be soldered to the wires.**

# Dryer Wire Harnesses - Starting Serial No. 2001000001



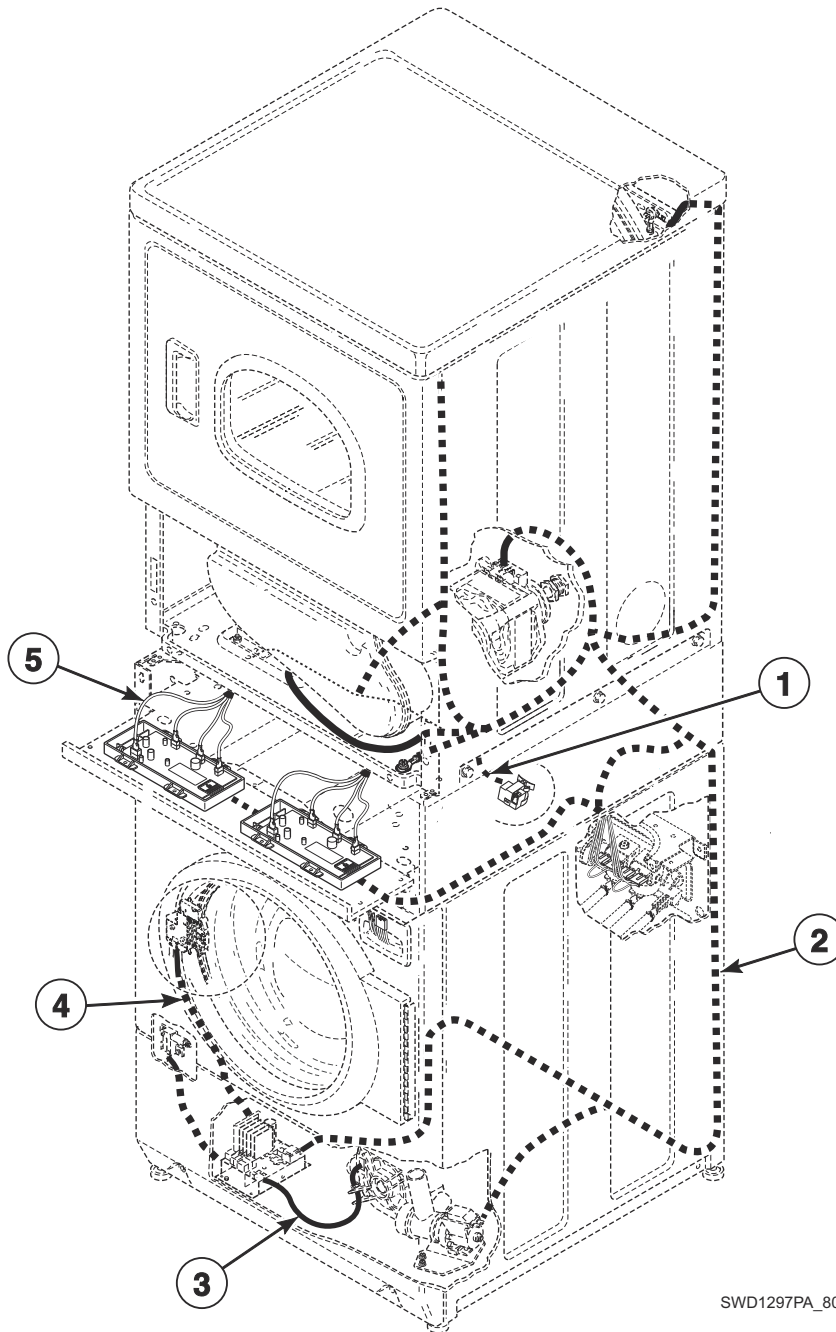
SWD1297P\_806105

## Dryer Wire Harnesses - Starting Serial No. 2001000001

| REF | PART NO. | DESCRIPTION            | COMMENTS        |
|-----|----------|------------------------|-----------------|
| 1   | D517477  | Gas Harness            | Gas models      |
|     | D517476  | Upper Electric Harness | Electric models |

**NOTE:** Individual wires are not available separately. Order complete wire harness, or order wire by the foot. When applying terminals to wires, it is recommended that the terminals be soldered to the wires.

# Washer and Control Wire Harnesses



SWD1297PA\_806105



## Washer and Control Wire Harnesses

| REF      | PART NO. | DESCRIPTION                | COMMENTS  |
|----------|----------|----------------------------|---|
|          | 807298   | Power Harness              | Starting Serial No. 2101000001  |
| <b>1</b> | 804433   | Pressure Sensor Harness    |   |
| <b>2</b> | 806277   | Control Harness            | Washer; Models ATHE9ASP453NW29, ATHE9ASP455NN29, ATHE9ASP455NW29, PTHE9ASP455NG29, TTHE5ASP303NW36, TTPE5ASP303NW36, ZTHE9ASP455NN29 and ZTHE9ASP455NW29 through Serial No. 2012999999  |
|          | 807348   | Control Harness            | Washer; Models ATHE9ASP453NW29, ATHE9ASP455NN29, ATHE9ASP455NW29, PTHE9ASP455NG29, TTHE5ASP303NW36, TTPE5ASP303NW36, ZTHE9ASP455NN29 and ZTHE9ASP455NW29 starting Serial No. 2101000001 |
|          | 806031   | Front Control Harness      | Washer; All other models through Serial No. 2012999999  |
|          | 807346   | Front Control Harness      | Washer; All other models starting Serial No. 2101000001   |
| <b>3</b> | 806962   | Motor Harness              | Models LTEE5ASP553KW01 and LTME5ASP543KW01 through Serial No. 2012999999  |
|          | 807612   | Motor Harness              | Models LTEE5ASP553KW01 and LTME5ASP543KW01 starting Serial No. 2101000001   |
|          | 806029   | Motor Harness              | All other models through Serial No. 2012999999  |
|          | 807294   | Motor Harness              | All other models starting Serial No. 2101000001   |
| <b>4</b> | 806028   | Door Lock Harness Assembly | Through Serial No. 2012999999   |
|          | 807293   | Door Lock Harness Assembly | Starting Serial No. 2101000001  |
| <b>5</b> | D513991  | Security Cabinet Harness   |   |

**NOTE: Individual wires are not available separately. Order complete wire harness, or order wire by the foot. When applying terminals to wires, it is recommended that the terminals be soldered to the wires.**



# Parts Index

## A

|                                 |                        |
|---------------------------------|------------------------|
| Access Cover Plate              |                        |
| D514356 .....                   | 121                    |
| Access Panel and Guard Assembly |                        |
| D514252DG .....                 | 71                     |
| Access Panel Assembly           |                        |
| D514250DG .....                 | 25, 71, 73, 75, 79     |
| D514250WP .....                 | 25, 71, 73, 75, 77, 79 |
| D514251 .....                   | 25, 75, 77             |
| 806528 .....                    | 25                     |
| Access Panel Plate              |                        |
| D510903 .....                   | 121                    |
| Adhesive                        |                        |
| D511637P .....                  | 91, 103                |
| Air Duct Assembly               |                        |
| D518431 .....                   | 97                     |
| D518432 .....                   | 99, 101                |
| D518433 .....                   | 97, 99, 101            |
| Anchor                          |                        |
| 155P3 .....                     | 51                     |
| Anchor Floor Mount Assembly     |                        |
| 802844P .....                   | 51                     |
| Anti-Seize Compound             |                        |
| 27604P .....                    | 39, 85                 |

## B

|                          |          |
|--------------------------|----------|
| Balance Ring Assembly    |          |
| 804393 .....             | 39       |
| Bar Sensor               |          |
| D513737 .....            | 91       |
| Base Assembly            |          |
| 803876 .....             | 51       |
| Bearing Housing Kit      |          |
| 805525 .....             | 39       |
| Bearing Kit              |          |
| 805730 .....             | 39       |
| Belt Install Tool        |          |
| 807623 .....             | 55       |
| Belt Kit                 |          |
| 807429P .....            | 41       |
| Blower Fan Assembly      |          |
| D510139P .....           | 87       |
| Blower Housing           |          |
| D511969LG .....          | 83       |
| D511969WP .....          | 83       |
| Blower Housing Seal      |          |
| D510238P .....           | 81       |
| Booster and Holding Coil |          |
| 58804A .....             | 111, 113 |
| Bracket                  |          |
| D510146 .....            | 121      |
| D516238 .....            | 115, 117 |
| Broken Belt Harness      |          |
| D517236 .....            | 153      |
| Bulkhead Assembly        |          |
| D505899WP .....          | 91       |

|                 |                    |
|-----------------|--------------------|
| Bumper Pad      |                    |
| 36226 .....     | 51                 |
| 56128 .....     | 123, 129           |
| Burner Assembly |                    |
| D510149P .....  | 111, 113, 115, 117 |

## C

|                                   |        |
|-----------------------------------|--------|
| Cabinet Panel Kit                 |        |
| 800004WP .....                    | 51     |
| Cabinet Rear Panel                |        |
| D514632P .....                    | 121    |
| D517566 .....                     | 121    |
| Cabinet Side Panel                |        |
| D510001DGP .....                  | 123    |
| D510001WP .....                   | 123    |
| D510002DGP .....                  | 121    |
| D510002WP .....                   | 121    |
| D512538 .....                     | 123    |
| D512539 .....                     | 121    |
| 800004DG .....                    | 51     |
| 800005DG .....                    | 51     |
| 802525P .....                     | 51     |
| 802526P .....                     | 51     |
| Cable Connection Box              |        |
| 39922 .....                       | 53     |
| Caution Label                     |        |
| 801706 .....                      | 149    |
| Chemical Injection Conversion Kit |        |
| 808076 .....                      | 29     |
| 808077 .....                      | 29     |
| Clamp Ring                        |        |
| 803802 .....                      | 37     |
| Clearance Label                   |        |
| D513341 .....                     | 147    |
| Clothes Guard Deflector           |        |
| 804467 .....                      | 37     |
| 805548 .....                      | 37     |
| Combustion Duct                   |        |
| D510131 .....                     | 109    |
| Compartment Cover                 |        |
| 803669 .....                      | 29     |
| Contactora                        |        |
| 806428 .....                      | 21     |
| Contactora Bracket                |        |
| D511859 .....                     | 123    |
| Control                           |        |
| D514566P .....                    | 15     |
| D514567P .....                    | 15     |
| D515798P .....                    | 19     |
| Control Assembly                  |        |
| D514565P .....                    | 15     |
| D514656P .....                    | 19     |
| D515430P .....                    | 19     |
| D517584 .....                     | 15     |
| D517585 .....                     | 15     |
| 805217P .....                     | 13, 19 |
| 805218P .....                     | 13     |
| 805219P .....                     | 13     |
| 805225P .....                     | 13     |
| 805236P .....                     | 13     |

N/A items do not appear in index.

|                         |        |
|-------------------------|--------|
| 806259P                 | 19     |
| 806589                  | 13     |
| 807516                  | 13     |
| 807517                  | 13     |
| 807518                  | 13     |
| 807519                  | 13     |
| 807521                  | 13     |
| 807530                  | 13     |
| Control Bracket         |        |
| 807441                  | 41     |
| Control Cabinet         |        |
| 804639DG                | 19     |
| 804639W                 | 19     |
| 804640DG                | 19     |
| 804640W                 | 19     |
| Control Cabinet Base    |        |
| 804642                  | 19     |
| Control Harness         |        |
| 806277                  | 159    |
| 807348                  | 159    |
| Control Overlay         |        |
| 804491                  | 17     |
| 804734                  | 17     |
| 805650                  | 17     |
| 805651                  | 17     |
| 806309                  | 17     |
| 806446                  | 17     |
| 806701                  | 17     |
| 806745                  | 17     |
| 806807                  | 17     |
| 807189                  | 17     |
| 807466                  | 17     |
| 807494                  | 17     |
| 807654                  | 17     |
| 807708                  | 17     |
| 808303                  | 17     |
| Control Panel           |        |
| 803960DG                | 7      |
| 803960WP                | 7      |
| 806135DG                | 19     |
| 806586W                 | 19     |
| Control Shield          |        |
| 804363                  | 7, 19  |
| Counterweight           |        |
| 807476                  | 35     |
| Cylinder Assembly       |        |
| D510265LG               | 91     |
| D510265WP               | 91     |
| Cylinder Baffle         |        |
| D510102LG               | 91     |
| D510102W                | 91     |
| Cylinder Belt           |        |
| D511255P                | 85     |
| Cylinder Glide          |        |
| D513710                 | 91     |
| Cylinder Glide Bracket  |        |
| D510145                 | 91     |
| Cylinder Light Assembly |        |
| D512109                 | 93, 95 |
| Cylinder Light Harness  |        |
| D516363                 | 153    |
| Cylinder Light Lens     |        |
| D512106                 | 93, 95 |
| Cylinder Roller         |        |
| D510708P                | 103    |

|                         |         |
|-------------------------|---------|
| Cylinder Roller Bracket |         |
| D510100                 | 103     |
| Cylinder Seal Assembly  |         |
| D510207P                | 91, 103 |

## D

|                                |                        |
|--------------------------------|------------------------|
| Detergent Hose                 |                        |
| 804717                         | 29                     |
| Directional Exhaust Kit        |                        |
| 528P3                          | 121                    |
| Disconnect Power Warning Label |                        |
| D505281                        | 147, 149               |
| Dispenser Assembly             |                        |
| 803698                         | 29                     |
| Dispenser Drawer               |                        |
| 803667                         | 29                     |
| Dispenser Handle               |                        |
| 804227B                        | 29                     |
| 804227WP                       | 29                     |
| 804228                         | 29                     |
| Dispenser Inlet Hose           |                        |
| 803849                         | 29                     |
| 806718                         | 29                     |
| 807364                         | 29                     |
| Dispenser Plate                |                        |
| 803843                         | 29                     |
| Domed Label                    |                        |
| 203173                         | 17                     |
| 800923                         | 17                     |
| 804970                         | 17                     |
| Door Assembly                  |                        |
| D516510WP                      | 59, 61                 |
| D516737W                       | 63, 65, 67             |
| 804083WP                       | 23                     |
| 804210P                        | 23                     |
| 805550P                        | 23                     |
| Door Catch Assembly            |                        |
| D510177                        | 71, 73, 75, 77, 79     |
| 802803                         | 23                     |
| Door Glass                     |                        |
| 802695P                        | 23                     |
| Door Glass Mounting Plate      |                        |
| 806354                         | 23                     |
| Door Handle Wedge              |                        |
| D510129W                       | 59, 61, 65, 67         |
| Door Hinge                     |                        |
| 802934                         | 23                     |
| Door Latch Assembly            |                        |
| 803920                         | 25                     |
| Door Liner Assembly            |                        |
| D516508                        | 59                     |
| Door Liner Grill               |                        |
| D503870LG                      | 59, 63, 67             |
| D503870W                       | 59, 61, 63, 65, 67, 69 |
| Door Lock Drip Shield          |                        |
| 804784                         | 25                     |
| Door Lock Harness Assembly     |                        |
| 806028                         | 159                    |
| 807293                         | 159                    |
| Door Pull                      |                        |
| D512947                        | 59, 61                 |

N/A items do not appear in index.

|                         |                        |
|-------------------------|------------------------|
| Door Pull and Wedge Kit |                        |
| D510103WP               | 59, 61, 63, 65, 67, 69 |
| D511213P                | 59                     |
| Door Seal               |                        |
| 804428P                 | 25                     |
| Door Seal Assembly      |                        |
| 804429P                 | 25                     |
| Door Strike             |                        |
| D510181                 | 59, 61, 63, 65, 67, 69 |
| Door Strike Mount       |                        |
| D510127                 | 59, 63, 65, 67, 69     |
| Drain Base Bracket      |                        |
| 803814                  | 49                     |
| Drain Hose              |                        |
| 803976                  | 47                     |
| Drain Hose Bracket      |                        |
| 803828                  | 51                     |
| Drain Hose Sleeve       |                        |
| 33615                   | 47                     |
| Drain Pump Assembly     |                        |
| 808194P                 | 49                     |
| 808195P                 | 49                     |
| 808196P                 | 49                     |
| Drain Pump Drip Shield  |                        |
| 805561                  | 47                     |
| Drain Pump Isolator     |                        |
| 803815                  | 49                     |
| Drain Valve Kit         |                        |
| F976P3                  | 45                     |
| Drain-to-Cabinet Hose   |                        |
| 800903                  | 45                     |
| Drip Shield             |                        |
| D514327                 | 75, 77, 79             |
| Drive Belt              |                        |
| 804985                  | 41                     |
| Drum Light Lamp         |                        |
| D503579                 | 93, 95                 |
| 60954                   | 93, 95                 |
| Dryer Base              |                        |
| D514245                 | 121                    |
| Dryer Door              |                        |
| D510013DG               | 59                     |
| D510013WP               | 59                     |
| D510082WP               | 65, 67                 |
| D512969                 | 59                     |
| D515960DG               | 61                     |
| D515960W                | 59, 61                 |
| D515961W                | 63, 65, 69             |
| D515963                 | 59                     |
| Dryer Door Window       |                        |
| D503982P                | 63, 65, 67             |
| D515681                 | 63, 65, 69             |
| Drying Rack             |                        |
| D512082P                | 91                     |

## E

|                          |          |
|--------------------------|----------|
| Elbow                    |          |
| D513072                  | 111, 115 |
| Elbow Shut-Off Valve     |          |
| D510205                  | 111      |
| Electric Clearance Label |          |
| D511005                  | 147      |

|                        |          |
|------------------------|----------|
| Electrical Shock Label |          |
| F8211201               | 147, 149 |
| End Shield             |          |
| 806258                 | 43       |
| Exhaust Duct           |          |
| D516196                | 121      |
| Exhaust Warning Label  |          |
| D500497                | 147      |
| D502507                | 147      |
| Expansion Clip         |          |
| 70030501               | 7, 19    |

## F

|                          |                    |
|--------------------------|--------------------|
| Felt Pad                 |                    |
| D510189                  | 91                 |
| Fill Hose                |                    |
| 203718                   | 33                 |
| 203719                   | 33                 |
| 203720                   | 33                 |
| 203750                   | 33                 |
| 204102                   | 33                 |
| 204103                   | 33                 |
| 204108                   | 33                 |
| Filter                   |                    |
| 805634                   | 21                 |
| Filter Harness           |                    |
| D518532                  | 137, 143           |
| D518533                  | 137, 143           |
| 804396                   | 9, 53, 143         |
| 804797                   | 9, 11, 21, 53      |
| Filter Jumper Harness    |                    |
| 808048                   | 53                 |
| Flexible Venting Kit     |                    |
| 521P3                    | 121                |
| Foam Pad                 |                    |
| 804875                   | 29                 |
| Foreign Object Deflector |                    |
| 806308                   | 37                 |
| 806313                   | 37                 |
| 806361                   | 37                 |
| Front Bulkhead           |                    |
| D517573                  | 91                 |
| Front Bulkhead Assembly  |                    |
| D515532P                 | 91                 |
| D515533P                 | 91                 |
| D515534P                 | 91                 |
| Front Control Harness    |                    |
| 806031                   | 159                |
| 807346                   | 159                |
| Front Panel              |                    |
| D510066DG                | 71, 73, 75, 77, 79 |
| D510066WP                | 71, 73, 75, 77, 79 |
| D512542                  | 75, 77             |
| 802277DGP                | 25                 |
| 802277WP                 | 25                 |
| 802288P                  | 25                 |
| Front Panel Assembly Kit |                    |
| 806505W                  | 27                 |
| 806560                   | 27                 |
| Front Panel Label        |                    |
| D514863                  | 75, 77, 79, 147    |
| D514864                  | 75, 77, 79, 147    |

N/A items do not appear in index.

|                  |                    |
|------------------|--------------------|
| Front Panel Seal |                    |
| D511056          | 71, 73, 75, 77, 79 |

## G

|                                      |          |
|--------------------------------------|----------|
| Gas Clearance Label                  |          |
| D511004                              | 147      |
| Gas Harness                          |          |
| D517096                              | 155      |
| D517477                              | 157      |
| Gas Label                            |          |
| D505215                              | 147      |
| Gas Power Harness                    |          |
| D518536                              | 153      |
| Gas Valve Assembly                   |          |
| D510506P                             | 111      |
| D513630                              | 111      |
| D513631                              | 111      |
| D516182                              | 115      |
| 59063P                               | 111      |
| Gas Valve Coil                       |          |
| D516699                              | 115, 117 |
| Gas Valve Mounting Bracket           |          |
| D510128                              | 111, 113 |
| 510128                               | 115, 117 |
| Gas Valve, Bracket and Pipe Assembly |          |
| D517607                              | 113      |
| D517609                              | 113      |
| D517610                              | 117      |
| D517611                              | 113      |
| D517612                              | 113      |
| Gasket                               |          |
| 802427                               | 49       |
| Glass Mounting Clip                  |          |
| 802700                               | 23       |
| Glide Kit                            |          |
| RB170003                             | 91       |
| Gravity Drain Bracket                |          |
| 803291                               | 45       |
| 803833                               | 51       |
| Gravity Drain Valve                  |          |
| 803292P                              | 45       |
| Grommet                              |          |
| 29175                                | 35       |
| Ground Filter Harness                |          |
| D514039                              | 137, 143 |
| D518534                              | 137, 143 |
| Ground Label                         |          |
| D502510                              | 133, 139 |

## H

|                        |     |
|------------------------|-----|
| Harness                |     |
| 805684                 | 153 |
| 808123                 | 153 |
| Harness Strap          |     |
| 55881                  | 57  |
| Heat Contactor Harness |     |
| 806431                 | 21  |
| 807474                 | 21  |
| Heat Duct Shroud       |     |
| D510101                | 109 |

|                                |                        |
|--------------------------------|------------------------|
| Heater                         |                        |
| D510325P                       | 105                    |
| Heater Assembly                |                        |
| D510324P                       | 105                    |
| D510326P                       | 105                    |
| D510327P                       | 105                    |
| D510328P                       | 105                    |
| D510329P                       | 105                    |
| D511503P                       | 105                    |
| Heater Contactor Drip Shield   |                        |
| 805356                         | 21                     |
| Heater Duct Assembly           |                        |
| D510705P                       | 105, 109               |
| Heater Kit                     |                        |
| 964P3                          | 107                    |
| Heater Kit Assembly            |                        |
| 61927                          | 107                    |
| 61928                          | 107                    |
| 61929                          | 107                    |
| 61930                          | 107                    |
| 61931                          | 107                    |
| Heating Element                |                        |
| 806090                         | 37                     |
| Heating Element Plug           |                        |
| F360202                        | 37                     |
| High Voltage Suppression Cable |                        |
| 44239706                       | 129                    |
| Hinge                          |                        |
| D511036                        | 59, 61, 63, 65, 67, 69 |
| Hinge Hole Plug                |                        |
| D510186                        | 71, 73, 75, 77, 79     |
| Hinge Plate                    |                        |
| 802206                         | 25                     |
| Hold Down Kit                  |                        |
| 526P3                          | 121                    |
| Hose Clamp                     |                        |
| F200204                        | 47, 49                 |
| 685725                         | 29, 45                 |
| 802281                         | 25                     |
| 803891                         | 35                     |
| 807386                         | 29                     |
| Hose Clip                      |                        |
| 36985                          | 35, 57                 |
| 800553                         | 35                     |
| Hose Stand                     |                        |
| 38732                          | 47                     |
| Hot/Cold Label                 |                        |
| 806454                         | 149                    |

## I

|                                  |          |
|----------------------------------|----------|
| ICM Gas Harness                  |          |
| D516881                          | 129      |
| Idler Lever                      |          |
| D516310                          | 89       |
| Idler Lever and Wheel Assembly   |          |
| D516792                          | 89       |
| Idler Spring                     |          |
| D510185                          | 89       |
| Idler Wheel and Bearing Assembly |          |
| D510142P                         | 89       |
| Igniter and Bracket Assembly     |          |
| D510184P                         | 111, 113 |

N/A items do not appear in index.

|  |     |
|--|-----|
| Ignition Control<br>70483201P .....        | 129 |
| Inner Basket Assembly<br>804374P .....     | 39  |
| 805485 .....                               | 39  |
| Inner Basket Assembly Kit<br>804376P ..... | 39  |
| Inner Door Bezel<br>808097 .....           | 23  |
| Inner Door Bezel Kit<br>808095 .....       | 23  |
| 808096 .....                               | 23  |
| Inverter Control Assembly<br>807175P ..... | 41  |

## J

|  |          |
|--|----------|
| Junction Box<br>803818 .....           | 53       |
| 803819 .....                           | 53       |
| 804559 .....                           | 53       |
| Junction Box Assembly<br>D516152 ..... | 133, 139 |
| D516153 .....                          | 133, 139 |
| Junction Box Cover<br>D514363 .....    | 135, 141 |
| D516186 .....                          | 141      |
| 803820 .....                           | 53       |
| Junction Box Seal<br>D514379P .....    | 135, 141 |
| 803832 .....                           | 53       |

## L

|   |                    |
|---|--------------------|
| Label<br>D503887 .....                  | 147                |
| D516100 .....                           | 149                |
| 804969 .....                            | 17                 |
| 805914 .....                            | 17                 |
| Lead-In Cord<br>D513632 .....           | 131                |
| D514061 .....                           | 141, 145           |
| D514953 .....                           | 135                |
| D515971 .....                           | 131                |
| D516162 .....                           | 141, 145           |
| D516390 .....                           | 141, 145           |
| D516611 .....                           | 141, 145           |
| 202405 .....                            | 53                 |
| 202777 .....                            | 57, 131            |
| 202925 .....                            | 135                |
| 202926 .....                            | 141, 145           |
| 203315 .....                            | 141, 145           |
| 203344 .....                            | 131                |
| 59373 .....                             | 135                |
| 805844 .....                            | 53                 |
| 805974 .....                            | 53                 |
| 807034 .....                            | 57                 |
| 808050 .....                            | 57                 |
| 808131 .....                            | 53                 |
| Lead-In Cord Assembly<br>D510505P ..... | 131                |
| D516747 .....                           | 131, 135, 141, 145 |
| 804556 .....                            | 53                 |

|   |                |
|---|----------------|
| Lead-In Cord Kit<br>61605P .....                  | 141, 145       |
| Lead-In Pipe Assembly<br>D510204 .....            | 111, 115       |
| Left Hand Thread Label<br>685928 .....            | 149            |
| 804949 .....                                      | 149            |
| Leveling Leg<br>D510135 .....                     | 121            |
| 34319 .....                                       | 51             |
| Lid Assembly<br>802426P .....                     | 49             |
| Lifter<br>804382 .....                            | 39             |
| Light Housing Assembly<br>D512108 .....           | 93, 95         |
| Limit Thermostat<br>D510700 .....                 | 105            |
| D510701 .....                                     | 105            |
| D510702 .....                                     | 109            |
| D515873 .....                                     | 105            |
| Line Filter<br>804844 .....                       | 137, 143       |
| 804864 .....                                      | 137, 143       |
| 805633 .....                                      | 9, 53          |
| 807473 .....                                      | 9, 11, 21, 53  |
| Liner and Seal Assembly<br>DD516509 .....         | 69             |
| D516509 .....                                     | 63, 65, 67     |
| Liner Door Seal<br>D510147P .....                 | 59, 63, 65, 67 |
| D515709 .....                                     | 61, 63, 69     |
| Liner, Seal and Grill Assembly<br>D510163WP ..... | 59             |
| Lint Filter<br>D503980LG .....                    | 97, 99, 101    |
| D503980W .....                                    | 97, 99, 101    |
| Lint Filter Cover<br>D510502LG .....              | 97, 99, 101    |
| D510502W .....                                    | 99, 101        |
| Lint Filter Label<br>D502781 .....                | 147            |
| D502804 .....                                     | 79             |
| L.P. Conversion Kit<br>401P3 .....                | 111, 113       |
| 649P3 .....                                       | 111, 113       |
| L.P. Orifice<br>D503786 .....                     | 119            |
| 58755 .....                                       | 119            |

## M

|   |     |
|---|-----|
| Main Harness<br>D516877 .....             | 155 |
| Manual Reset Thermostat<br>44253901 ..... | 105 |
| Mixing Valve<br>806611P .....             | 31  |
| 807497P .....                             | 31  |
| 807837P .....                             | 31  |
| 807838P .....                             | 31  |
| Mixing Valve Screen<br>24122 .....        | 31  |

N/A items do not appear in index.

|   |     |
|---|-----|
| Mixing Valve Shield<br>804783 .....         | 33  |
| Moisture Sensor Base<br>D513738 .....       | 91  |
| Motor and Pulley Assembly<br>D505843P ..... | 85  |
| D505869P .....                              | 85  |
| D511629P .....                              | 85  |
| Motor and Rod Assembly Kit<br>805726P ..... | 41  |
| 808034P .....                               | 41  |
| 808067P .....                               | 41  |
| Motor Control Shield<br>804878 .....        | 43  |
| 806498 .....                                | 43  |
| Motor Harness<br>806029 .....               | 159 |
| 806962 .....                                | 159 |
| 807294 .....                                | 159 |
| 807612 .....                                | 159 |
| Motor Hub Ring Kit<br>590P3 .....           | 85  |
| Motor Mount<br>D518517 .....                | 89  |
| Motor Mount Clamp<br>D510180 .....          | 85  |
| Motor Pulley<br>D500011 .....               | 85  |
| D500222 .....                               | 85  |
| Motor Rod<br>803861 .....                   | 41  |
| 807739 .....                                | 41  |
| Motor Shield<br>D514602 .....               | 81  |
| Motor Switch Bracket<br>D516311 .....       | 89  |

## N

|   |                     |
|---|---------------------|
| Natural/L.P. Gas Label<br>D500240 .....   | 147                 |
| Network Varistor Assembly<br>804651 ..... | 21                  |
| Notice Label<br>D516073 .....             | 149                 |
| 803011 .....                              | 149                 |
| Nut<br>F430218 .....                      | 37                  |
| 03673 .....                               | 57                  |
| 21899 .....                               | 51                  |
| 23951 .....                               | 23                  |
| 29786 .....                               | 45                  |
| 29787 .....                               | 9, 11, 21, 137, 143 |
| 36020 .....                               | 25                  |
| 44071201 .....                            | 63, 67              |
| 52566 .....                               | 89                  |
| 56156 .....                               | 89, 103             |
| 685846 .....                              | 23                  |
| 800452 .....                              | 35, 39              |
| 800931 .....                              | 19                  |
| 802343 .....                              | 37                  |
| 804418 .....                              | 39                  |
| N.G. Conversion Kit<br>402P3 .....        | 111, 113            |

|                               |          |
|-------------------------------|----------|
| 650P3 .....                   | 111, 113 |
| N.G. Orifice<br>D503778 ..... | 119      |
| D503779 .....                 | 119      |
| D503780 .....                 | 119      |
| D503781 .....                 | 119      |

## O

|  |          |
|--|----------|
| O-Ring<br>802429P .....                        | 49       |
| Outer Door Bezel<br>808091 .....               | 23       |
| Outer Door Bezel Kit<br>808092 .....           | 23       |
| 808094 .....                                   | 23       |
| Outer Tub Assembly<br>803864 .....             | 35       |
| 803865 .....                                   | 35       |
| 807479 .....                                   | 35       |
| 807480 .....                                   | 35       |
| 807618 .....                                   | 35       |
| 807619 .....                                   | 35       |
| Outlet Cover<br>D500820 .....                  | 105, 109 |
| D518524 .....                                  | 105, 109 |
| Out-of-Balance Switch Assembly<br>803415 ..... | 35       |
| 807384 .....                                   | 35       |
| Out-of-Balance Switch Bracket<br>804457 .....  | 35       |
| 807280 .....                                   | 35       |
| Output Board Shield<br>D514420 .....           | 123      |
| Output Control Assembly<br>D513797P .....      | 125      |
| D517191P .....                                 | 127      |
| D517269 .....                                  | 125      |
| D517319 .....                                  | 127      |
| 808149 .....                                   | 41       |
| 808150 .....                                   | 41       |
| Overlay<br>806060 .....                        | 19       |
| 806121 .....                                   | 19       |
| 806193 .....                                   | 19       |
| Oversuding Label<br>802074 .....               | 149      |
| 802838 .....                                   | 149      |
| 802839 .....                                   | 149      |

## P

|  |                                 |
|--|---------------------------------|
| Paint<br>806436P .....                   | 51, 121                         |
| Panel Locator<br>56079 .....             | 25, 51, 71, 73, 75, 77, 79, 123 |
| Pinch Warning Label<br>F8615701 .....    | 147, 149                        |
| Pop Rivet<br>685847 .....                | 35                              |
| Porcelain Touch-Up Paint<br>122P4P ..... | 51, 121                         |

N/A items do not appear in index.



|                                |          |
|--------------------------------|----------|
| Power Cord Assembly            |          |
| D506081 .....                  | 131      |
| 203119 .....                   | 141, 145 |
| 204061 .....                   | 53       |
| 58992 .....                    | 131      |
| 801450 .....                   | 53       |
| 802012 .....                   | 53       |
| 805732 .....                   | 53       |
| 806179 .....                   | 57       |
| 808045 .....                   | 53       |
| 808046 .....                   | 53       |
| 808047 .....                   | 53       |
| Power Harness                  |          |
| D514044 .....                  | 153      |
| D518656 .....                  | 153      |
| D518710 .....                  | 153      |
| 807298 .....                   | 159      |
| Power Jumper Harness           |          |
| 202917 .....                   | 11       |
| Pressure Bulb                  |          |
| 808013 .....                   | 35       |
| Pressure Sensor                |          |
| 203843 .....                   | 51       |
| Pressure Sensor Harness        |          |
| 804433 .....                   | 159      |
| Pressure Sensor Tube Assembly  |          |
| 804483 .....                   | 35       |
| 804769 .....                   | 35       |
| Pulley Assembly                |          |
| 808197 .....                   | 39       |
| Pulley Bolt Tightening Fixture |          |
| 802336 .....                   | 55       |
| Pump Housing                   |          |
| 802428 .....                   | 49       |
| Pump Housing Assembly          |          |
| 802434P .....                  | 49       |
| Pump-to-Gravity Drain Kit      |          |
| 805770 .....                   | 47       |
| 805771 .....                   | 47       |
| Pushbutton Switch              |          |
| M413431 .....                  | 129      |

## R

|                        |         |
|------------------------|---------|
| Rear Access Panel      |         |
| 803998 .....           | 7       |
| 807646 .....           | 7       |
| Rear Bulkhead Assembly |         |
| D510905WP .....        | 103     |
| D511082P .....         | 103     |
| Rear Control Cabinet   |         |
| 804859 .....           | 19      |
| Rear Panel             |         |
| 803789 .....           | 51      |
| 803790 .....           | 51      |
| 806716 .....           | 51      |
| Relay                  |         |
| 807472 .....           | 21      |
| Retainer Clip          |         |
| 36014 .....            | 47      |
| Retaining Ring         |         |
| 23748 .....            | 89, 103 |
| Roller Kit             |         |
| RB170002 .....         | 103     |

|               |    |
|---------------|----|
| Rubber Foot   |    |
| D501855 ..... | 51 |
| 34318 .....   | 51 |

## S

|                          |   |
|--------------------------|---|
| Screw                    |   |
| D500226 .....            | 59, 61, 65, 67  |
| D500227 .....            | 93, 95  |
| D500824 .....            | 89  |
| D501086 .....            | 97, 99, 101   |
| D501285 .....            | 97, 99, 101, 103  |
| D501524 .....            | 43  |
| D502535 .....            | 87  |
| D503661 .....            | 9, 11, 21, 25, 41, 45, 47, 49, 51, 53, 135, 141   |
| D503688 .....            | 7, 19, 71, 73, 75, 77, 79, 87, 91, 103, 105, 109, 111, 113, 115, 117, 121, 123, 129, 133, 139 |
| D505295 .....            | 63, 65, 67, 69  |
| D505870 .....            | 63, 65, 67, 69  |
| D512921 .....            | 25, 51, 75, 121   |
| D514428 .....            | 123   |
| D515597 .....            | 63, 67  |
| D515967 .....            | 63, 65, 69  |
| D516261 .....            | 129   |
| F8206901 .....           | 41  |
| M400043 .....            | 39, 151   |
| M400057 .....            | 41  |
| 02916 .....              | 41, 45  |
| 20530 .....              | 57, 131, 145  |
| 23222 .....              | 105, 111, 113   |
| 31260 .....              | 81  |
| 33562 .....              | 71, 73, 75, 77, 79  |
| 36048 .....              | 121   |
| 38272 .....              | 129   |
| 39733 .....              | 25, 51, 71, 73, 75, 77, 79, 123   |
| 430497 .....             | 19  |
| 51782 .....              | 109, 111, 113, 115, 117   |
| 56124 .....              | 111, 113, 115, 117  |
| 61199 .....              | 103   |
| 62588 .....              | 91  |
| 685831 .....             | 39  |
| 70240301 .....           | 7   |
| 800461 .....             | 35  |
| 800462 .....             | 37  |
| 800548 .....             | 23, 25, 29, 39  |
| 800930 .....             | 19  |
| 801001 .....             | 29  |
| 801019 .....             | 23  |
| 801045 .....             | 25  |
| 801993 .....             | 23  |
| 802431 .....             | 49  |
| 802596 .....             | 37  |
| 804667 .....             | 13, 15, 19, 123   |
| 804699 .....             | 39  |
| 806276 .....             | 25, 51, 75, 77, 79, 123   |
| Screw Orifice            |   |
| 58719 .....              | 119   |
| Seal Kit                 |   |
| RB170001 .....           | 91, 103   |
| Sealant                  |   |
| 27615P .....             | 49  |
| Secondary Coil           |   |
| 58804B .....             | 111, 113  |
| Security Cabinet Harness |   |
| D513991 .....            | 159   |

N/A items do not appear in index.

|                         |                    |
|-------------------------|--------------------|
| Sensor                  |                    |
| D510213 .....           | 111, 113           |
| Shaft                   |                    |
| 56461P .....            | 89, 103            |
| Shield Bracket          |                    |
| 804018 .....            | 7                  |
| Shipping Bracket Label  |                    |
| 686901 .....            | 151                |
| Shipping Materials Kit  |                    |
| 805729 .....            | 151                |
| Shipping Plate          |                    |
| 803851 .....            | 51                 |
| Shipping Plug           |                    |
| 803859 .....            | 51                 |
| Shock Adjusting Wrench  |                    |
| 392P4 .....             | 55                 |
| Shock Assembly          |                    |
| 803777P .....           | 35                 |
| Shock Warning Label     |                    |
| F8614201 .....          | 147, 149           |
| Side Panel Kit          |                    |
| 806492 .....            | 51                 |
| Snap Bushing            |                    |
| D503235 .....           | 45                 |
| M402542 .....           | 9, 11, 21          |
| Spark Electrode         |                    |
| 44328701P .....         | 115, 117           |
| Speed Clip              |                    |
| 28835 .....             | 71, 73, 75, 77, 79 |
| Standpipe Strap         |                    |
| 33489 .....             | 47                 |
| Strain Relief           |                    |
| D517491 .....           | 145                |
| D517492 .....           | 131, 145           |
| 32219 .....             | 47                 |
| 38384 .....             | 53, 57, 131        |
| 52113 .....             | 131, 133, 139      |
| 60298 .....             | 53, 133, 139       |
| 806511 .....            | 57                 |
| Strain Relief Adapter   |                    |
| D502496 .....           | 131                |
| Strain Relief Connector |                    |
| D511628 .....           | 131                |
| Strain Relief Plate     |                    |
| 806508 .....            | 57                 |
| Switch                  |                    |
| D512973 .....           | 71, 73, 75, 77, 79 |
| D516391 .....           | 89                 |
| Switch Bracket          |                    |
| D516237 .....           | 129                |

## T

|                            |     |
|----------------------------|-----|
| Terminal Block Assembly    |     |
| D505876 .....              | 21  |
| D510190P .....             | 103 |
| 803988 .....               | 9   |
| Terminal Block Drip Shield |     |
| 805344 .....               | 21  |
| Terminal Block Harness     |     |
| 804737 .....               | 21  |
| Terminal Block Label       |     |
| D506072 .....              | 145 |

N/A items do not appear in index.

|                           |          |
|---------------------------|----------|
| D514618 .....             | 139      |
| Terminal Block Panel      |          |
| 804609 .....              | 21       |
| Terminal Block Shield     |          |
| D510237 .....             | 103      |
| D517715 .....             | 103      |
| Thermal Fuse Assembly     |          |
| D518649 .....             | 105      |
| Thermal Fuse Kit          |          |
| 490P3 .....               | 105      |
| Thermistor Assembly       |          |
| D502366 .....             | 87       |
| D510523 .....             | 87       |
| Thermostat                |          |
| D510703 .....             | 109      |
| Thermostat Opening Cover  |          |
| 61203 .....               | 11       |
| Thermostat Shield         |          |
| D514325 .....             | 81       |
| Top and Bracket Assembly  |          |
| D513224 .....             | 121      |
| Top Hinge                 |          |
| D510136 .....             | 121      |
| Top Kit                   |          |
| D510032WP .....           | 121      |
| Top Panel                 |          |
| D510032DG .....           | 121      |
| Transformer               |          |
| D513763P .....            | 123      |
| 202758 .....              | 129      |
| Transformer Shield        |          |
| D514334 .....             | 123      |
| Trunnion Kit              |          |
| 806831 .....              | 39       |
| Trunnion Shaft Kit        |          |
| 808043 .....              | 39       |
| Tub Front                 |          |
| 803770 .....              | 37       |
| Tub Front Assembly        |          |
| 803879 .....              | 37       |
| Tub Front Seal            |          |
| 803801 .....              | 37       |
| Tub-to-Gravity Drain Hose |          |
| 803874 .....              | 45       |
| Tub-to-Pump Hose          |          |
| 803816 .....              | 49       |
| 803829 .....              | 49       |
| T.G. Conversion Kit       |          |
| D516445 .....             | 111, 113 |

## U

|                        |     |
|------------------------|-----|
| Upper Electric Harness |     |
| D516756 .....          | 155 |
| D516758 .....          | 155 |
| D517238 .....          | 155 |
| D517242 .....          | 155 |
| D517476 .....          | 157 |
| Upper Gas Harness      |     |
| D516757 .....          | 155 |
| D516765 .....          | 155 |
| D517094 .....          | 155 |
| D517098 .....          | 155 |

|               |     |
|---------------|-----|
| D517100 ..... | 155 |
| D517211 ..... | 155 |
| Upper Harness |     |
| D517204 ..... | 155 |

## V

|                           |     |
|---------------------------|-----|
| Valve Filter              |     |
| F8161201 .....            | 31  |
| Venting Instruction Label |     |
| D502791 .....             | 147 |

## W

|                       |                         |
|-----------------------|-------------------------|
| Warning Label         |                         |
| D500049 .....         | 35, 147, 149            |
| D500314 .....         | 149                     |
| D500316 .....         | 147, 149                |
| D512263 .....         | 79, 147                 |
| D514226 .....         | 75, 77, 79, 147         |
| D514410 .....         | 75, 77, 79, 147         |
| D514866 .....         | 75, 77, 79, 147         |
| D514867 .....         | 75, 77, 79, 147         |
| D515692 .....         | 149                     |
| D515714 .....         | 149                     |
| D515728 .....         | 149                     |
| D515738 .....         | 149                     |
| D515740 .....         | 149                     |
| D516187 .....         | 147                     |
| D516243 .....         | 147                     |
| 44321601 .....        | 147                     |
| 44324001 .....        | 147                     |
| 802367 .....          | 149                     |
| 803260 .....          | 147, 149                |
| 804924 .....          | 149                     |
| 804933 .....          | 149                     |
| 805962 .....          | 149                     |
| 805964 .....          | 149                     |
| 805965 .....          | 149                     |
| 805966 .....          | 149                     |
| 806591 .....          | 149                     |
| Warning Label         |                         |
| D516514 .....         | 147                     |
| Warning/Caution Label |                         |
| D500281 .....         | 71, 73, 75, 77, 79, 147 |
| Washer                |                         |
| D504082 .....         | 103                     |
| M400014 .....         | 151                     |
| M400017 .....         | 45                      |
| M400080 .....         | 41                      |
| M400081 .....         | 37                      |
| M403958 .....         | 39                      |
| 02834 .....           | 41                      |
| 03815 .....           | 57                      |
| 20290 .....           | 33                      |
| 26509 .....           | 121                     |
| 52549 .....           | 89, 103                 |
| 800457 .....          | 39                      |
| 802254 .....          | 33                      |
| 803615 .....          | 33                      |
| 804458 .....          | 35                      |
| 807679 .....          | 39                      |
| Window Clip           |                         |
| D513958 .....         | 63, 67                  |

|                      |        |
|----------------------|--------|
| Window Trim          |        |
| D503981W .....       | 65, 67 |
| D515956W .....       | 63, 69 |
| Wire Assembly        |        |
| D518255 .....        | 105    |
| D518256 .....        | 105    |
| Wire Clip            |        |
| D504034 .....        | 57     |
| 687500 .....         | 57     |
| Wire Ring and Spring |        |
| 806466 .....         | 25     |
| Wire Tie             |        |
| 38663 .....          | 57     |
| Wire, 12 Gauge       |        |
| 45380 .....          | 153    |
| Wire, 18 Gauge       |        |
| 45001 .....          | 153    |
| Wrapper Assembly     |        |
| 804112DG .....       | 7      |
| 804112W .....        | 7      |

N/A items do not appear in index.

