

# Washer-Extractor

Cabinet Freestanding  
Refer to Page 5 for Model Numbers





# Table of Contents

Title	Page
Parts Ordering Information.....	3
Serial Plate Location .....	3
Model Identification .....	5
Frame.....	6
Cabinet.....	8
Panels (Drawing 1 of 2) .....	10
Panels (Drawing 2 of 2) .....	12
Tub.....	14
Drum .....	16
Trunnion - 33, 75 and 335 Models .....	18
Trunnion - 40, 55, 90, 120, 125, 400, 520 and 550 Models .....	20
Drive.....	22
Tensioning System .....	24
Door - FS, L, M, N and P Models .....	26
Door - H, I, J, S and U Models .....	28
Soap Hopper.....	30
Door Lock.....	32
Filling System.....	34
Filling Valves .....	36
Air-Operated Valves.....	38
Control Panel - Professional, Aries Elite, PROform, HC-200, QED Select, and X Control Plus Models (Drawing 1 of 2) .....	40
Control Panel - Professional, Aries Elite, PROform, HC-200, QED Select, and X Control Plus Models (Drawing 2 of 2) .....	42
Control Panel - Micro Models.....	44
Control Panel - FS and P Models; BTS .....	46
Rear Panel .....	48
Box of Electrical Components - Professional, Aries Elite, PROform, HC-200, QED Select and X Control Plus Models (Drawing 1 of 2).....	50
Box of Electrical Components - Professional, Aries Elite, PROform, HC-200, QED Select and X Control Plus Models (Drawing 2 of 2).....	52
Box of Electrical Components - Micro Models (Drawing 1 of 2).....	54
Box of Electrical Components - Micro Models (Drawing 2 of 2).....	56
Steam Supply.....	58
Drain System - 33, 75 and 335 Models.....	60
Drain System - 40, 55, 90, 120, 125, 400, 520 and 550 Models.....	62
Wash Bath Sample .....	64
Weighing System .....	66
Tilting System - 40, 55, 90, 120, 125, 400, 520 and 550 Models; All except BTS (Drawing 1 of 3).....	68
Tilting System - 40, 55, 90, 120, 125, 400, 520 and 550 Models; All except BTS (Drawing 2 of 3).....	70
Tilting System - 40, 55, 90, 120, 125, 400, 520 and 550 Models; All except BTS (Drawing 3 of 3).....	72

© Copyright 2019, Alliance Laundry Systems LLC

All rights reserved. No part of the contents of this book may be reproduced or transmitted in any form or by any means without the expressed written consent of the publisher.

Tilting System - 40, 55, 90, 125, 400, 520 and 550 FS and P Models; BTS (Drawing 1 of 2) .....	74
Tilting System - 40, 55, 90, 125, 400, 520 and 550 FS and P Models; BTS (Drawing 2 of 2) .....	76
Tilting Cabinet - 40, 55, 90, 120, 125, 400, 520 and 550 Models; All Except BTS Models.....	78
Tilting Cabinet - 40, 55, 90, 125, 400, 520 and 550 FS and P Models; BTS .....	80
Tilting System Pneumatic Components - 40, 55, 90, 120, 125, 400, 520 and 550 Models .....	82
Liquid Soap Supply System .....	84
Parts Index.....	87

## **Parts Ordering Information**

If literature or replacement parts are required, contact the source from whom the machine was purchased or contact Alliance Laundry Systems at (920) 748-3950 for the name and address of the nearest authorized parts distributor.

For technical assistance, call the number listed below:

(920) 748-3121 Ripon, Wisconsin

## **Serial Plate Location**

When calling or writing about your product, be sure to mention model and serial numbers. Model and serial numbers are located on serial plate(s).

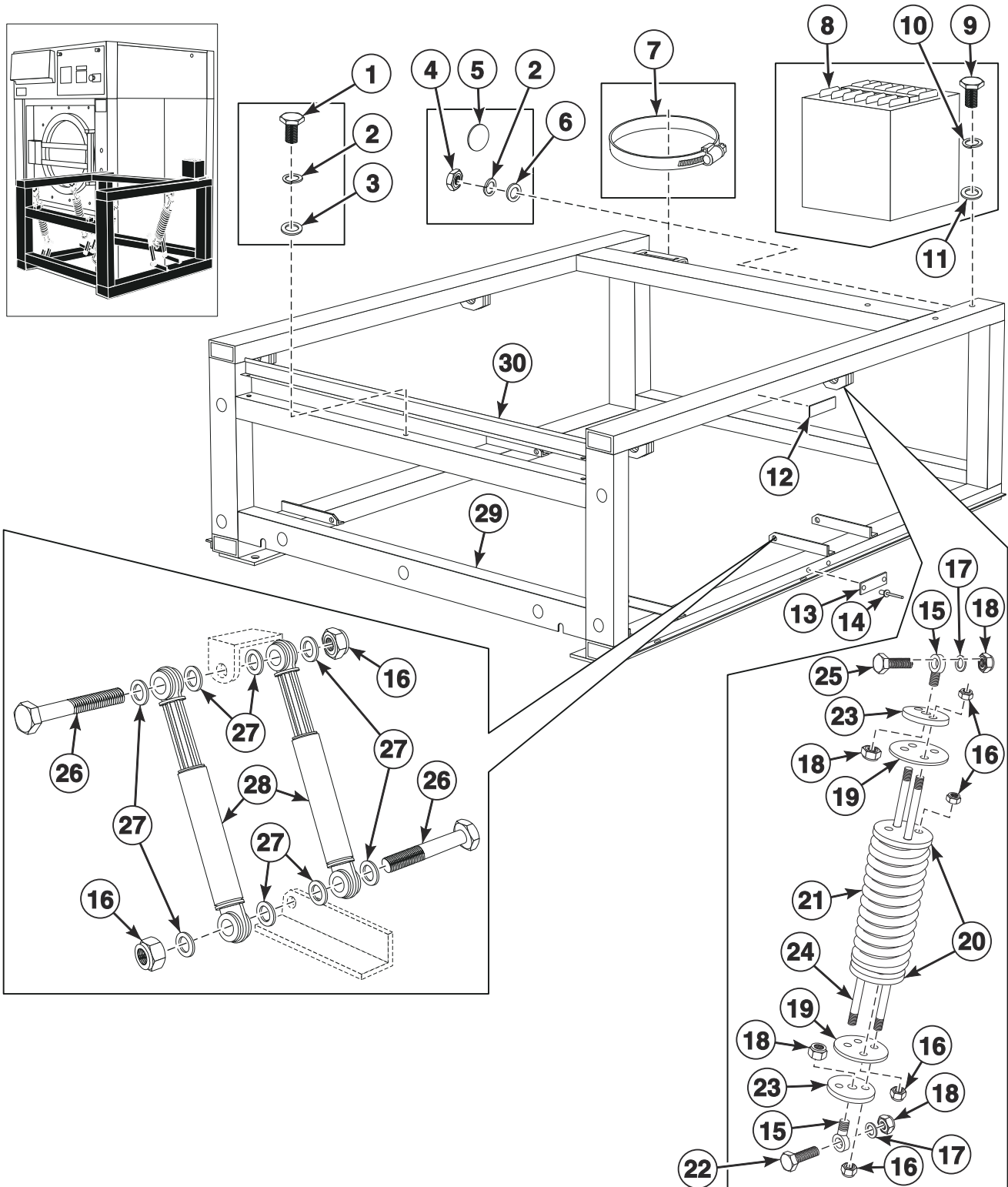


## Model Identification

Information in this manual is applicable to these washer-extractor models:

FS33_X_CONTROL_PLUS	HYG335F	LH520T	PYU335T
FS40_X_CONTROL_PLUS	HYG400F	LHY335T	PYU400T
FS55_X_CONTROL_PLUS	HYG520F	LPRFRLH335	PYU520T
HY90_HC-200	HYH335F	LYC335T	PYX335T
HY90_MICRO	HYH400F	LYC400T	PYX400T
HY125_HC-200	HYH520F	LYC520T	PYX520T
HY125_MICRO	HYN090F	LYG335T	SYC335D
HY335_HC-200	HYN090W	LYG400T	SYC400D
HY400_HC-200	HYN125F	LYG520T	SYC520D
HY520_HC-200	HYN125W	LYH335T	SYG335D
IY75_ARIES-ELITE	HYU335F	LYH400T	SYG400D
IY90_ARIES-ELITE	HYU400F	LYH520T	SYG520D
IY90_MICRO	HYU520F	LYU335T	SYH335D
IY125_ARIES-ELITE	HYX335F	LYU400T	SYH400D
IY125_MICRO	HYX400F	LYU520T	SYH520D
IY335_ARIES-ELITE	HYX520F	LYX335T	SYN090D
IY400_ARIES-ELITE	IYC335R	LYX400T	SYN090W
IY520_ARIES-ELITE	IYC400R	LYX520T	SYN125D
JLA75_ARIES-ELITE	IYC520R	MWFS75	SYN125W
JLA90_ARIES-ELITE	IYG335R	MWFS90	SYU335D
JLA120_ARIES-ELITE	IYG400R	MWFS125	SYU400D
LH335_PROFESSIONAL	IYG520R	NYC335T	SYU520D
LH335_X_CONTROL_PLUS	IYH335R	NYC400T	SYX335D
LH400_PROFESSIONAL	IYH400R	NYC520T	SYX400D
LH400_X_CONTROL_PLUS	IYH520R	NYG335T	SYX520D
LH550_PROFESSIONAL	IYN075R	NYG400T	UYC335I
LH550_X_CONTROL_PLUS	IYN090R	NYG520T	UYC400I
MWFS75_X_CONTROL_PLUS	IYN090W	NYH335T	UYC520I
MWFS90_X_CONTROL_PLUS	IYN125R	NYH400T	UYG335I
MWFS125_X_CONTROL_PLUS	IYN125W	NYH520T	UYG400I
PY90_X_CONTROL_PLUS	IYU335R	NYU335T	UYG520I
PY125_X_CONTROL_PLUS	IYU400R	NYU400T	UYH335I
SY90_MICRO	IYU520R	NYU520T	UYH400I
SY90_QED-SELECT	IYX335R	NYX335T	UYH520I
SY125_MICRO	IYX400R	NYX400T	UYN090I
SY125_QED-SELECT	IYX520R	NYX520T	UYN090W
SY335_QED-SELECT		PYC335T	UYN125I
SY400_QED-SELECT		PYC400T	UYN125W
SY520_QED-SELECT		PYC520T	UYU335I
UY90_MICRO		PYG335T	UYU400I
UY90_PROFORM		PYG400T	UYU520I
UY125_MICRO		PYG520T	UYX335I
UY125_PROFORM		PYH335T	UYX400I
UY335_PROFORM		PYH400T	UYX520I
UY400_PROFORM		PYH520T	
UY520_PROFORM		PYN090T	
		PYN125T	

# Frame



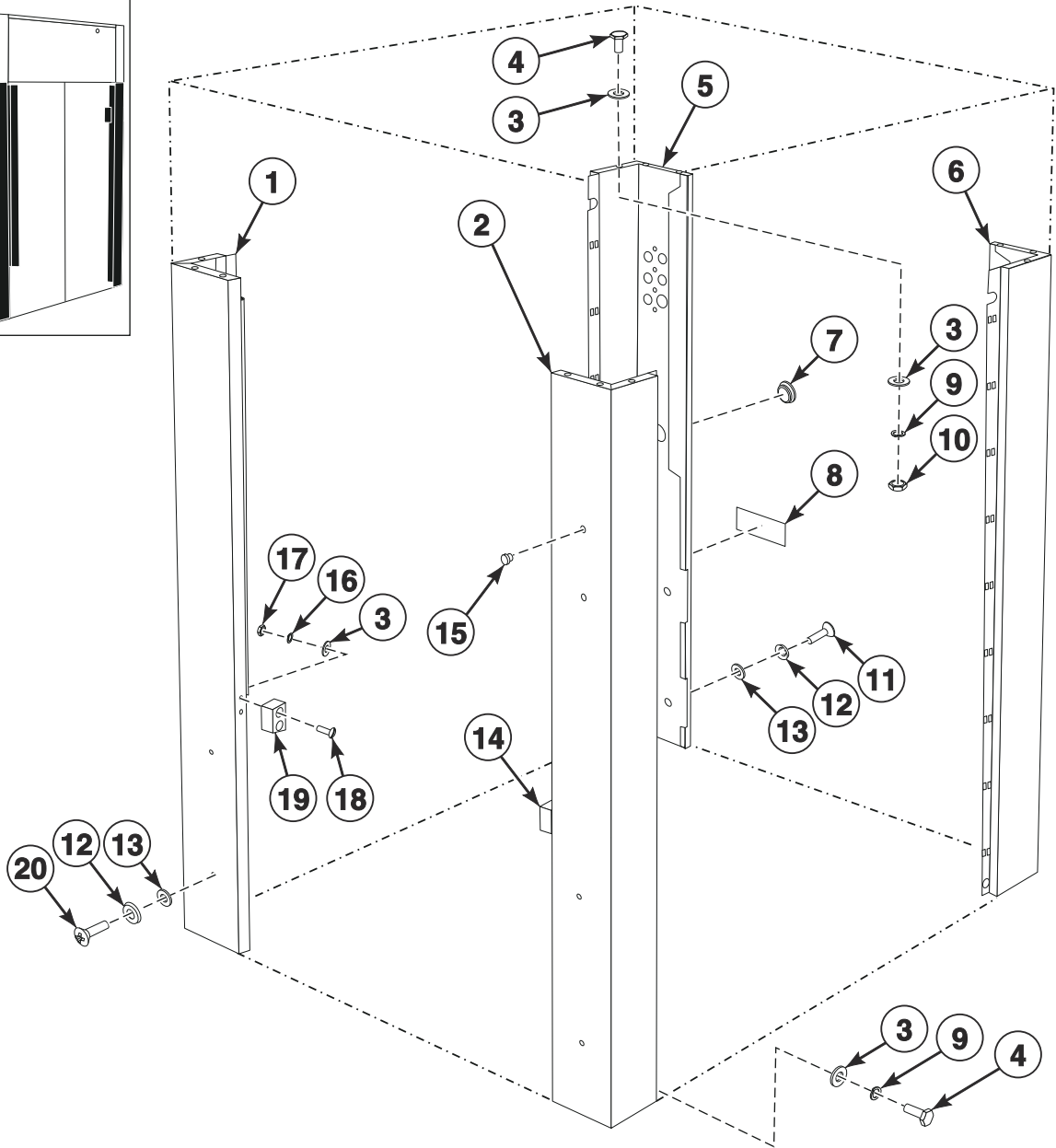
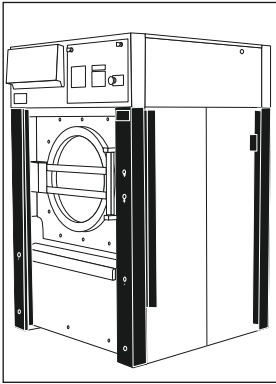
CFD2562P\_D1592



# Frame

REF	PART NO.	DESCRIPTION	COMMENTS
	SPF02101500014	Spring Hinge	
1	SP309933000616	Bolt	M6x16
2	SP311679824006	Washer	6
3	SP311125000006	Washer	6.4
4	SP310934240006	Nut	M6
5	SPPRI551000001	Earthing Index Plate	10
6	SP311125240006	Washer	6.4
7	SPPRI240000017	Hose Clamp	
8	SP101643	Transformer	
9	SP309933000516	Bolt	M5x16
10	SP311127000005	Washer	5
11	SP311125000005	Washer	5
12	SP100179	Antivibration Insulation	
13	SPF02101001014	Small Plate	
14	SP313250004007	Rivet	With crank; 4x7
15	SP309444016070	Bolt	M16x70
16	SP310985000010	Nut	M10
17	SP311125000017	Washer	17
18	SP310985000016	Nut	M16
19	SPF02101500414	Packing Part	
20	SPF02101500114	Sleeve	
21	SP315002005014	Spring	
22	SPF02101001214	Bolt	2
23	SPF02101500214	Disk	
24	SPF02101500324	Drawing Bar	
25	SPF02101001114	Bolt	1
26	SP309933001080	Bolt	M10x80
27	SP311125000010	Washer	10.5
28	SP326269185250	Damper	
29	SPF02101100012	Frame	33, 40, 75, 90, 335 and 400 models
	SPF03101100012	Frame	55, 120, 125, 520 and 550 models
30	SP511226	Lower Plate	

# Cabinet



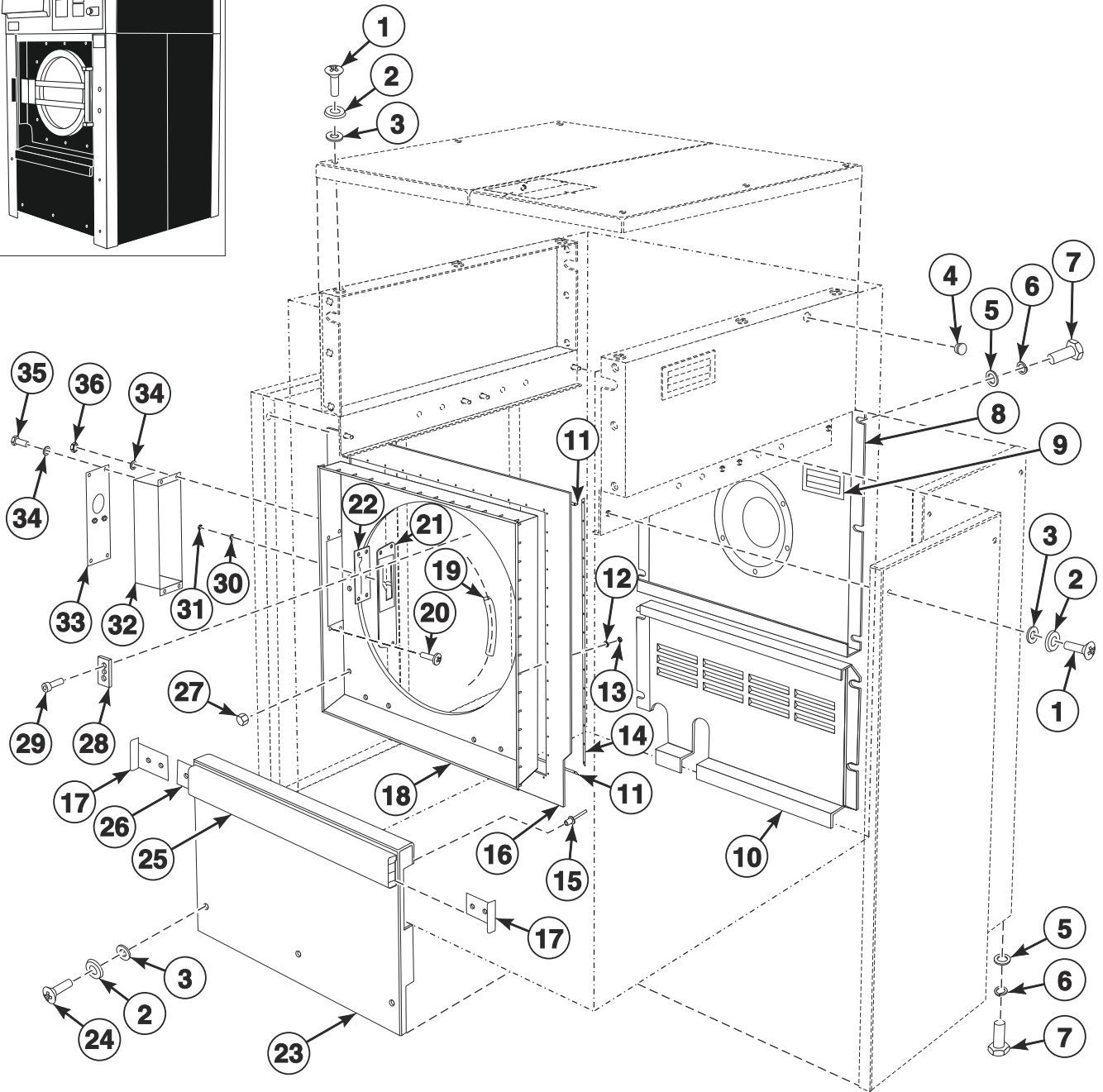
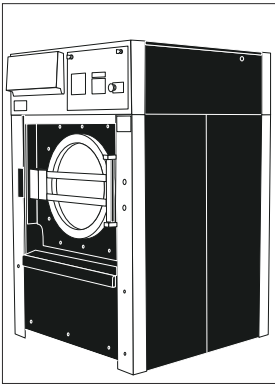
CFD2563P\_D1592

# Cabinet

REF	PART NO.	DESCRIPTION	COMMENTS
1	SP511224	Complete Left Front Cover	
2	SP511225	Complete Right Front Cover	
3	SP311125000006	Washer	6.4
4	SP309933000618	Bolt	M6x18
5	SP526153	Rear Cover	Left
	SP526154	Rear Cover	Left; Used with air operated valves
6	SPF02113400111	Rear Cover	Right
7	SPPRI505000064	Plug	Electric heating
8	N/A	Label	Steam pressure
9	SPPRI245000006	Washer	6
10	SP310934100006	Nut	M6
11	SP309966240640	Bolt	M6x40
12	SPPRI247000001	Washer	M6
13	SPPRI521002001	Washer	
14	SP511228	Cube	Right
15	SP273127001798	Plug	
16	SP311127000006	Washer	M6
17	SP310934000006	Nut	M6
18	SP309966240635	Bolt	M6x40
19	SP511229	Cube	Left
20	SP309966240620	Bolt	M6x20

N/A = Part no longer available

# Panels (Drawing 1 of 2)

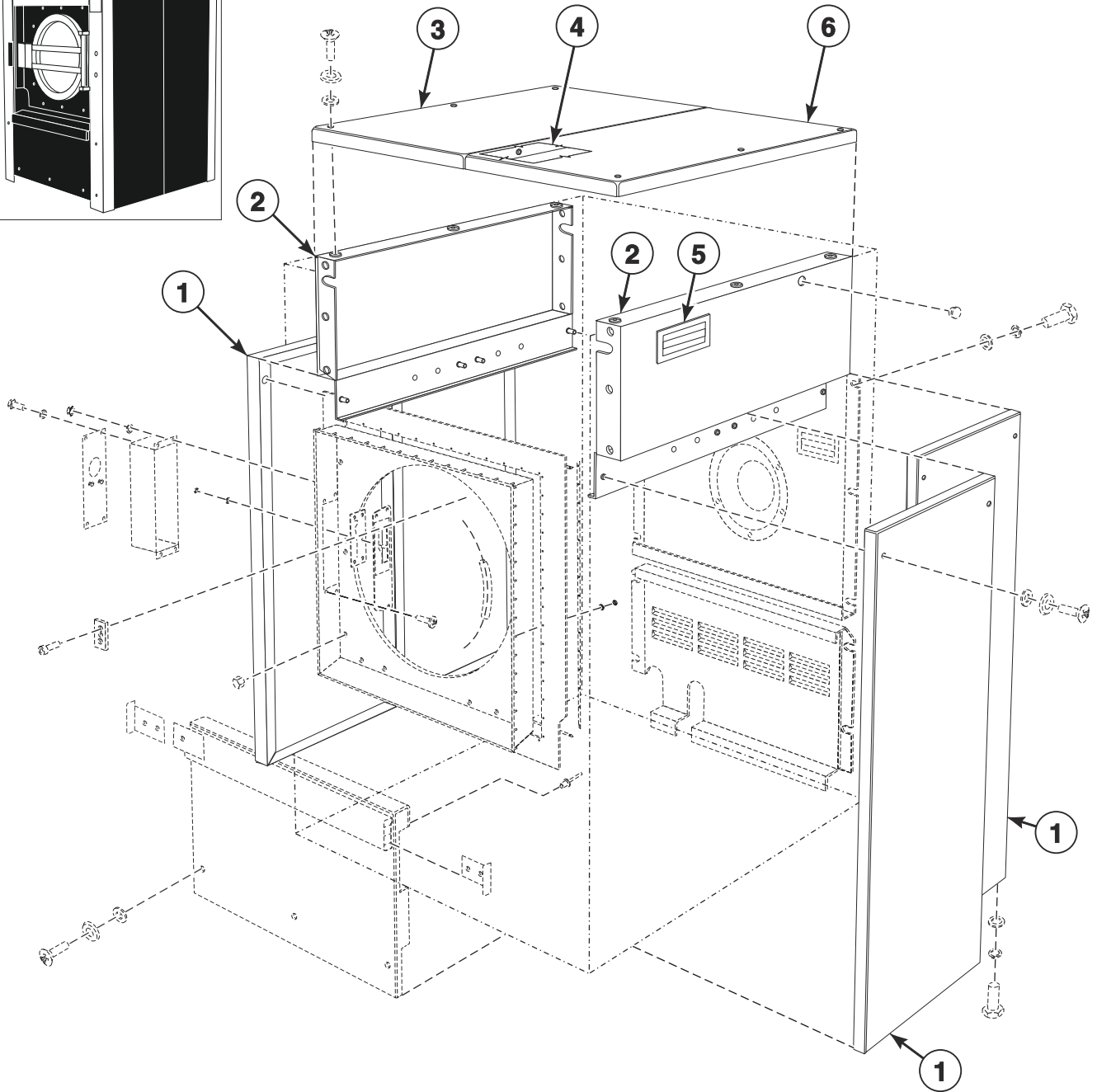
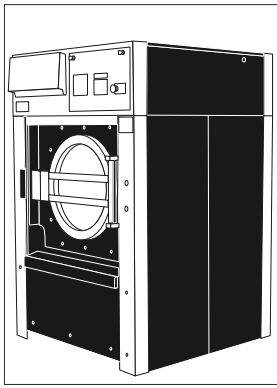


CFD2716P\_D1592

## Panels (Drawing 1 of 2)

REF	PART NO.	DESCRIPTION	COMMENTS
1	SP309966240640	Bolt	M6x40
2	SPPRI247000001	Washer	M6
3	SPPRI521002001	Washer	
4	SPPRI505000064	Plug	
5	SP311125240006	Washer	6.4
6	SP311127240006	Washer	6
7	SP309933240618	Bolt	M6x18
8	568403	Upper Rear Cover	33, 75 and 335 models
	SPF08113800014	Upper Rear Cover	40, 55, 90, 120, 125, 400, 520 and 550 models
9	SP321848254108	Air Grate	
10	SPF04113001512	Lower Rear Cover	33, 75 and 335 models
	SPF02113001512	Lower Rear Cover	40, 55, 90, 120, 125, 400, 520 and 550 models
11	SP511237	Upper Plate	
12	SP311127000004	Washer	4
13	SP310934000004	Nut	M4
14	SP511238	Side Plate	
15	SP313250004075	Rivet	H, I, J, S, U models; With crank; 4x7, 5 AI
	SP313250004125	Rivet	FS, L, M, N and P models; With crank; 4x12, 5 AI
16	SP511236	Rubber	
17	SPF02113200614	Side Bar	
18	SP511285	Welded Foil	II
19	SPPRI505000058	Profiled Sealing	
20	SP309595240612	Bolt	M6x12
21	SP511284	Lock Cover	
22	SP511283	Collar	
23	SP511230	Complete Front Cover	FS, H, L, M, P, S and U models; I, J and N models (Optional); Includes items 17, 25 and 26; Without noise elimination
	552538	Complete Front Cover	40, 55, 90, 120, 125, 400, 520 and 550 models; (Optional); Includes items 17, 25 and 26; With noise elimination
	SP559741	Complete Front Cover	I, J and N models; Without items 17, 25 and 26; Without noise elimination
	553198	Complete Front Cover	I, J and N 40, 55, 90, 120, 125, 400, 520 and 550 models; (Optional); Without items 17, 25 and 26; With noise elimination
24	SP309966240620	Bolt	M6x20
25	SP511287	Profile	
26	SP511280	Inner Strip	FS, L and P models
27	SP310917240006	Nut	M6
28	SPF02100020114	Centering Block	
29	SP309912000815	Bolt	M8x15
30	SP505430	Washer	4
31	SP514193	Nut	M4
32	SP511306	Lock Cover	
33	SP511345	Cover	
34	SP311127000006	Washer	M6
35	SP309933000612	Bolt	M6x12
36	SP310934000006	Nut	M6

# Panels (Drawing 2 of 2)

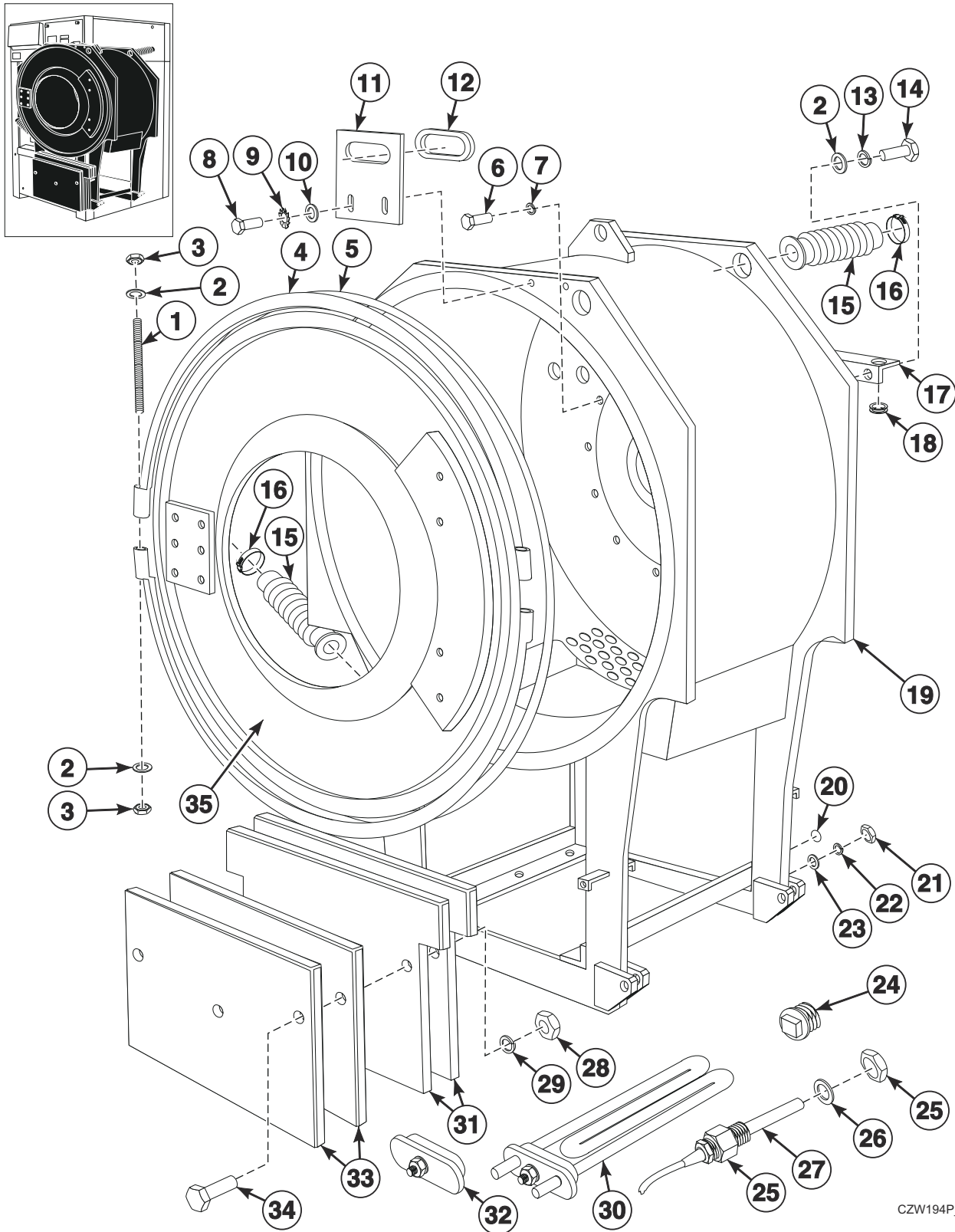


CFD2717P\_D1592

## Panels (Drawing 2 of 2)

REF	PART NO.	DESCRIPTION	COMMENTS
	SP559741	Complete Front Cover	H, I, J, N, S and U models
	SP511230	Complete Front Cover	FS, L, M and P models
<b>1</b>	SPF04113600014	Complete Side Cover	33, 75 and 335 models
	SPF02113600014	Complete Side Cover	40, 90 and 400 models
	SPF03113600014	Complete Side Cover	55, 120, 125, 520 and 550 models
<b>2</b>	SPF07113500013	Complete Upper Side Cover	33, 75 and 335 models
	SPF08113500013	Complete Upper Side Cover	40, 90 and 400 models
	SPF09113500013	Complete Upper Side Cover	55, 120, 125, 520 and 550 models
<b>3</b>	SPF02113700012	Complete Upper Cover	40, 90 and 400 models
	SPF03113700012	Complete Upper Cover	55, 120, 125, 520 and 550 models
	SPF04113700012	Complete Upper Cover	33, 75 and 335 models
<b>4</b>	SP313250004007	Rivet	With crank; 4x7
<b>5</b>	SP321848254108	Air Grate	
<b>6</b>	SPF04113700112	Upper Cover	33, 75 and 335 models
	SPF02113700112	Upper Cover	40, 90 and 400 models
	SPF03113700112	Upper Cover	55, 120, 125, 520 and 550 models

# Tub



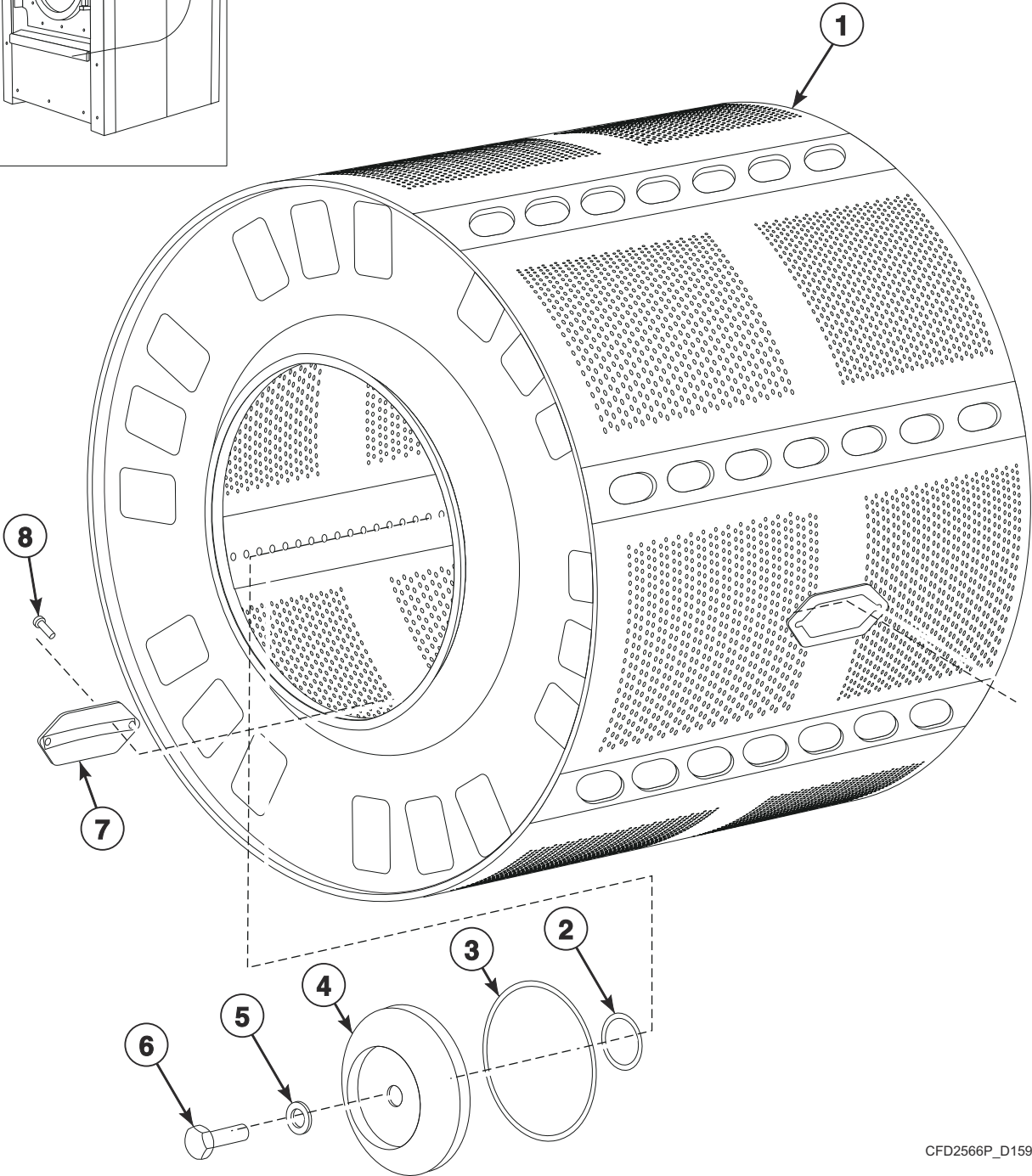
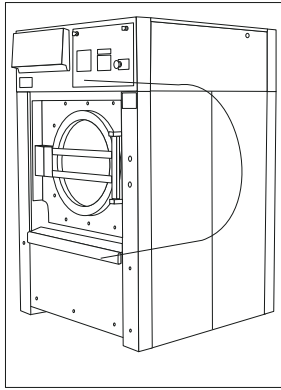
CZW194P\_D1592



# Tub

REF	PART NO.	DESCRIPTION	COMMENTS
1	SPF02119000415	Bolt	M8
2	SP311125240008	Washer	8.4
3	SP310934240008	Nut	M8
4	SPF02119000014	Clip	
5	SP273222012025	Sealing	
6	SP309933240612	Bolt	M6x12
7	SP311125200006	Washer	M6
8	SP309933000616	Bolt	M6x16
9	SP311127000006	Washer	6
10	SP311125000006	Washer	6.4
11	SPF02104000814	Limiter	
12	SPPRI505000058	Profiled Sealing	
13	SP311127000008	Washer	8
14	SP309933000820	Bolt	M8x20
15	SP273396307058	Hose	
16	SPPRI240000021	Hose Clamp	
17	SPF02104000913	Holder	
18	SP273121008002	Cable Bushing	
19	SPF04104100011	Tub Weldment	33, 75 and 335 models
	SPF02104100011	Tub Weldment	40, 90 and 400 models
	SPF03104100011	Tub Weldment	55, 120, 125, 520 and 550 models
20	SPPRI551000001	Earthing Index Plate	10
21	SP310934240006	Nut	M6
22	SP311125240006	Washer	6.4
23	SP311127240006	Washer	6
24	SP319428324805	Plug	3/4 inch; Electric heating
25	SPPRI614000047	Thermostat Sensor Holder	
26	SPPRI524000001	Sealing Ring	
27	SP503839	Temperature Sensor	
28	SP310934000020	Nut	M20
29	SP311127000020	Washer	M20
30	SP540131	Heating Element	33, 75 and 335 models; Electric heating; 4000W/220V; l=350mm
	SP540132	Heating Element	40, 55, 90, 120, 125, 400, 520 and 550 models; Electric heating; 6000W/220V; l=470mm
31	SPF02104000514	Weight	Large; 40, 55, 90, 120, 125, 400, 520 and 550 models
32	SPPRI342001016	Heating Element Hole Plug	Steam heating
33	SPF02104000614	Weight	Small; 40, 55, 90, 120, 125, 400, 520 and 550 models
34	SP309931020150	Bolt	M20x150
35	SP511402	Tub Facia Panel	

# Drum

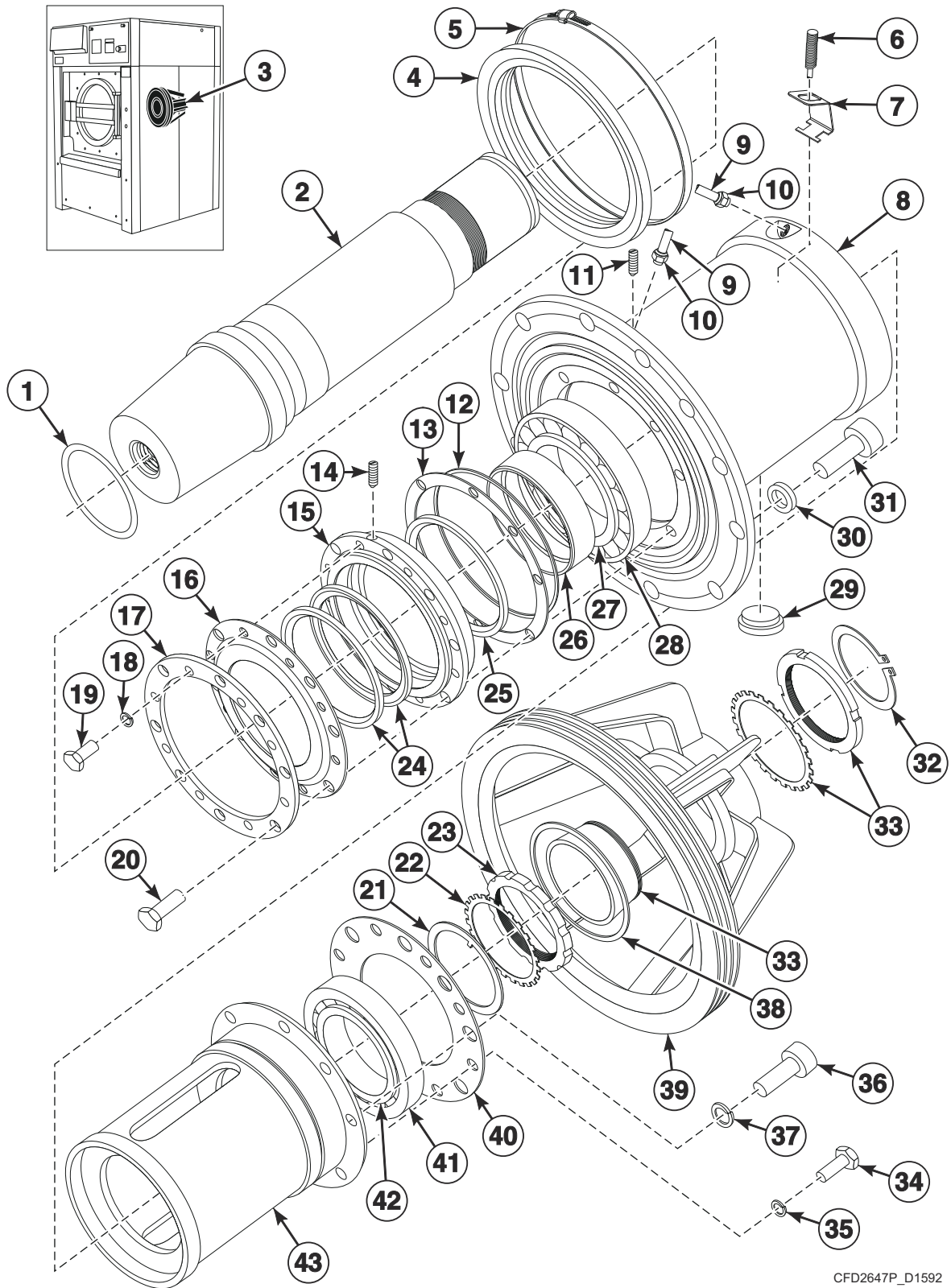


CFD2566P\_D1592

# Drum

REF	PART NO.	DESCRIPTION	COMMENTS
1	SPF04103100011	Drum Weldment	33, 75 and 335 models
	SPF02103100011	Drum Weldment	40, 90 and 400 models
	SPF03103100011	Drum Weldment	55, 120, 125, 520 and 550 models
2	SP273111030035	O-Ring	
3	SP273111140005	O-Ring	
4	SPF02100021214	Washer	
5	SP529753	Washer	30
6	SPF02100021114	Bolt	
7	SP223103300014	Cover	Small
8	SP309966240408	Bolt	M4x8

# Trunnion - 33, 75 and 335 Models

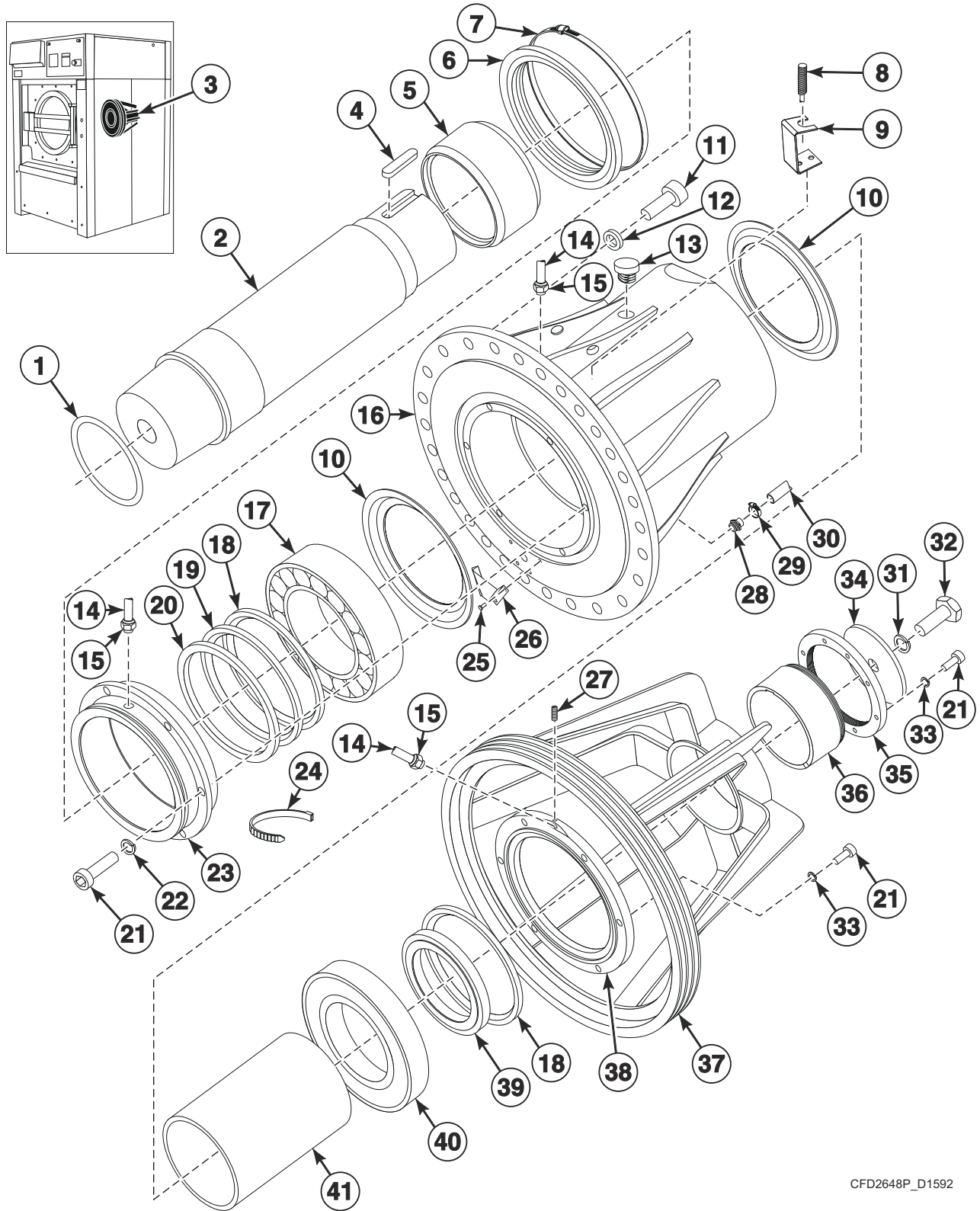


CFD2647P\_D1592

## Trunnion - 33, 75 and 335 Models

REF	PART NO.	DESCRIPTION	COMMENTS
	SPPRI83000014	Bearing Housing Replacement Tool Kit	
1	SP273222012025	Sealing	
2	SP548535	Shaft	
3	SP515428	Complete Bearing Housing	
4	SP273111995417	Bearing House Seal	
5	SP540240200220	Clip	
6	SP557701	Speed Sensor	
7	SP560733	Speed Sensor Holder	
8	SPF04105000112	Bearing Housing	
9	SP283351220111	Hose	
10	SP319428330006	Pipe Nipple	6-M10x1
11	SP309551001010	Bolt	M10x10
12	SP273111150003	O-Ring	
13	SP230104001214	Sealing	
14	SP309551000606	Bolt	M6x6
15	SPF04105000312	Front Cover	
16	SPF04105001114	Front Cover	
17	SPF04105001614	Collar	
18	SP311127240006	Washer	6
19	SP309933240618	Bolt	M6x18
20	SP309933240830	Bolt	M8x30
21	SP230104001014	Distance Ring	
22	SPPRI247000022	Washer	
23	SPPRI226000064	Nut	
24	SPPRI530000033	Radial Seal	
25	SP102367	Seal	
26	SP230104000514	Ring	
27	SPPRI608000071	Inside Ring	
28	SPPRI608000072	Outside Ring	
29	SP321848503046	Plug	
30	SPF02105002515	Washer	
31	SP309912121265	Bolt	M20x65
32	SP307732030060	Retaining Ring	60
33	SPPRI608000081	Sleeve	
34	SP309933240612	Bolt	M6x12
35	SP311127000006	Washer	6
36	SP309912001030	Bolt	M10x30
37	SP311127000010	Washer	10.2
38	SPPRI530000037	Seal	
39	SPF04105000613	Pulley	
40	SPF04105000914	Small Cover	
41	SPPRI608000070	Outside Ring	
42	SPPRI608000069	Inside Ring	
43	SPF04105000213	Bearing Housing Insert	

# Trunnion - 40, 55, 90, 120, 125, 400, 520 and 550 Models

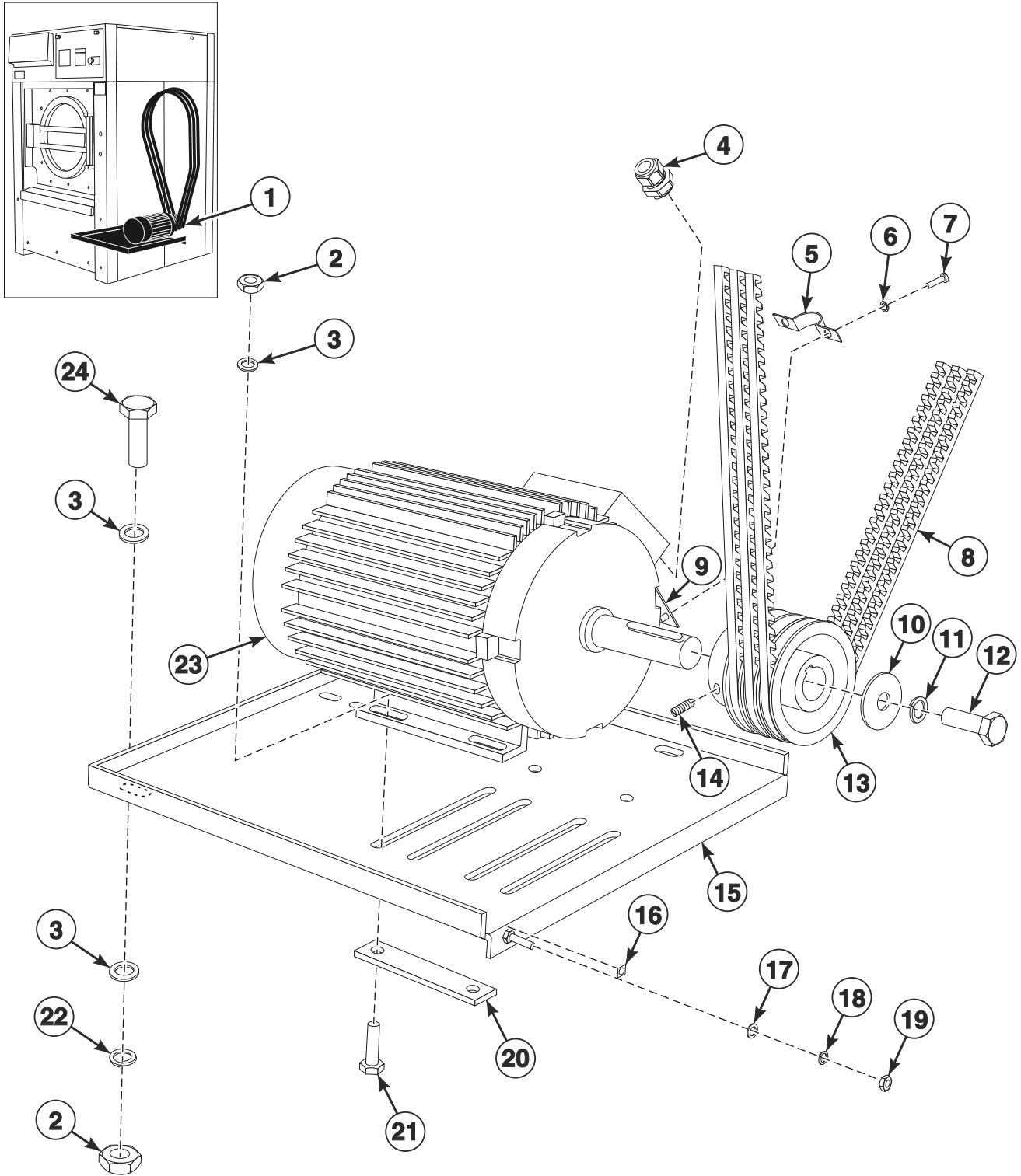


CFD2648P\_D1592

## Trunnion - 40, 55, 90, 120, 125, 400, 520 and 550 Models

REF	PART NO.	DESCRIPTION	COMMENTS
	SPPRI830000014	Bearing Housing Replacement Tool Kit	
1	SP273222012025	Sealing	
2	SP532170	Shaft	
3	SP512921	Complete Bearing Housing	
4	SP526810	Wedge	
5	SPPRI609000170	Shaft Bushing	
6	SP273111995417	Bearing House Seal	
7	SP540240200220	Clip	
8	SP557701	Speed Sensor	
9	SP560736	Speed Sensor Holder	
10	SPF02105001214	Cover	
11	SP309912121265	Bolt	M20x65
12	SPF02105002515	Washer	
13	SP223105002314	Plug	
14	SP283351220111	Hose	
15	SP319428330006	Pipe Nipple	6-M10x1
16	SPF02105000412	Bearing Housing	
17	SPPRI608000082	Bearing	
18	SPPRI530000022	Seal	140x170x15
19	SPPRI530000031	Seal	140x170x15
20	SP102192	Seal	
21	SP309912101230	Bolt	M12x30
22	SP311127000012	Washer	12
23	SPF02105001512	Front Cover	
24	SP345000160971	Binding Strip	
25	SP313250004007	Rivet	With crank; 4x7
26	SPF02105001313	Box	
27	SP309916000506	Bolt	M5x6
28	SPF02105002915	Screw	
29	SPPRI240000002	Hose Clamp	
30	SP286125020211	Hose	
31	SP311127000020	Washer	20
32	SP309931020060	Bolt	M20x60
33	SP506518	Washer	M12
34	SPF02105002715	Washer	
35	SPF02105002213	Nut	
36	SPF02105002113	Clamping Sleeve	
37	SPF02105000513	Pulley	
38	SPF02105001612	Rear Cover	
39	SP526802	Distance Ring	
40	SP526809	Bearing	
41	SP526803	Expansion Tube	

# Drive



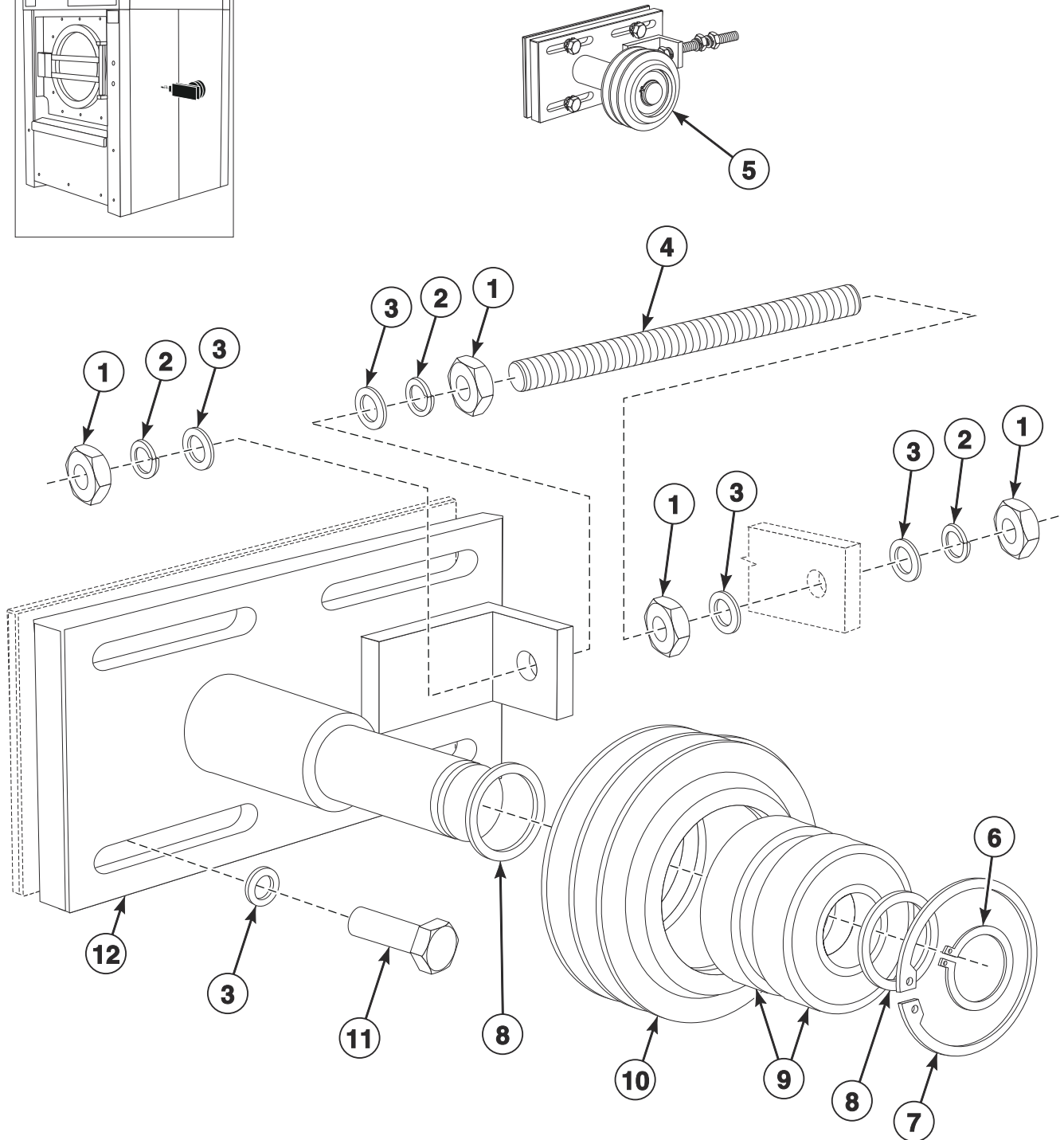
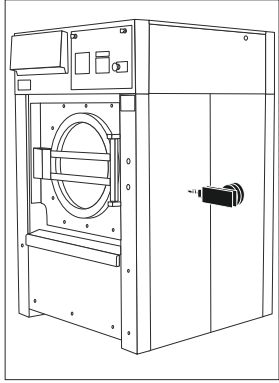
CFD2569P\_D1592



# Drive

REF	PART NO.	DESCRIPTION	COMMENTS
	SP528105	Motor Cable	33, 75 and 335 models
	SP528107	Motor Cable	40, 55, 90, 120, 125, 400, 520 and 550 models; 220-240V
	SP528106	Motor Cable	40, 55, 90, 120, 125, 400, 520 and 550 models; 380-480V
<b>1</b>	SPF07102000012	Drive Plate	33, 75 and 335 models
	SPF08102000012	Drive Plate	40, 90 and 400 models
	SPF09102000012	Drive Plate	55, 120, 125, 520 and 550 models
<b>2</b>	SP310934000012	Nut	M12
<b>3</b>	SP311125000013	Washer	13
<b>4</b>	SP101409	Bushing	
<b>5</b>	SPPRI407000091	Cable Sleeve	
<b>6</b>	SP311679800004	Washer	4
<b>7</b>	SP309084000410	Bolt	M4x10
<b>8</b>	SP515454	Belt	33, 75 and 335 models
	SP529776	Belt	40, 55, 90, 120, 125, 400, 520 and 550 models
<b>9</b>	SPF07102200024	Cable Holder	
<b>10</b>	SP311902100012	Washer	33, 75 and 335 models; 12
	SP311902100014	Washer	40, 55, 90, 120, 125, 400, 520 and 550 models; 14
<b>11</b>	SP311127000010	Washer	33, 75 and 335 models; 10
	SP311127000012	Washer	40, 55, 90, 120, 125, 400, 520 and 550 models; 12
<b>12</b>	SP309933001035	Bolt	33, 75 and 335 models; M10x35
	SP309933001235	Bolt	40, 55, 90, 120, 125, 400, 520 and 550 models; M12x35
<b>13</b>	SP510111	Motor Pulley	33, 75 and 335 models
	SP507728	Motor Pulley	40, 55, 90, 120, 125, 400, 520 and 550 models
<b>14</b>	SP309913000610	Bolt	M6x10
<b>15</b>	SPF04102100024	Drive Board	33, 75 and 335 models
	SPF02102100024	Drive Board	40, 90 and 400 models
	SPF03102100024	Drive Board	55, 120, 125, 520, and 550 models
<b>16</b>	SPPRI551000001	Earthing Index Plate	10
<b>17</b>	SP311125240006	Washer	6
<b>18</b>	SP311679824006	Washer	6
<b>19</b>	SP310934240006	Nut	M6
<b>20</b>	SPF07102001314	Washer	
<b>21</b>	SP309933001250	Bolt	M12x50
<b>22</b>	SP311127000012	Washer	12
<b>23</b>	SP338400112022	Motor	33, 75 and 335 models; 4kW; 3x380-480V, 3x220-240V;50-60Hz
	SP338400132022	Motor	40, 55, 90, 120, 125, 400, 520 and 550 models; 4kW; 3x380-480V, 3x220-240V; 50-60 Hz
<b>24</b>	SP309933001235	Bolt	M12x35

# Tensioning System

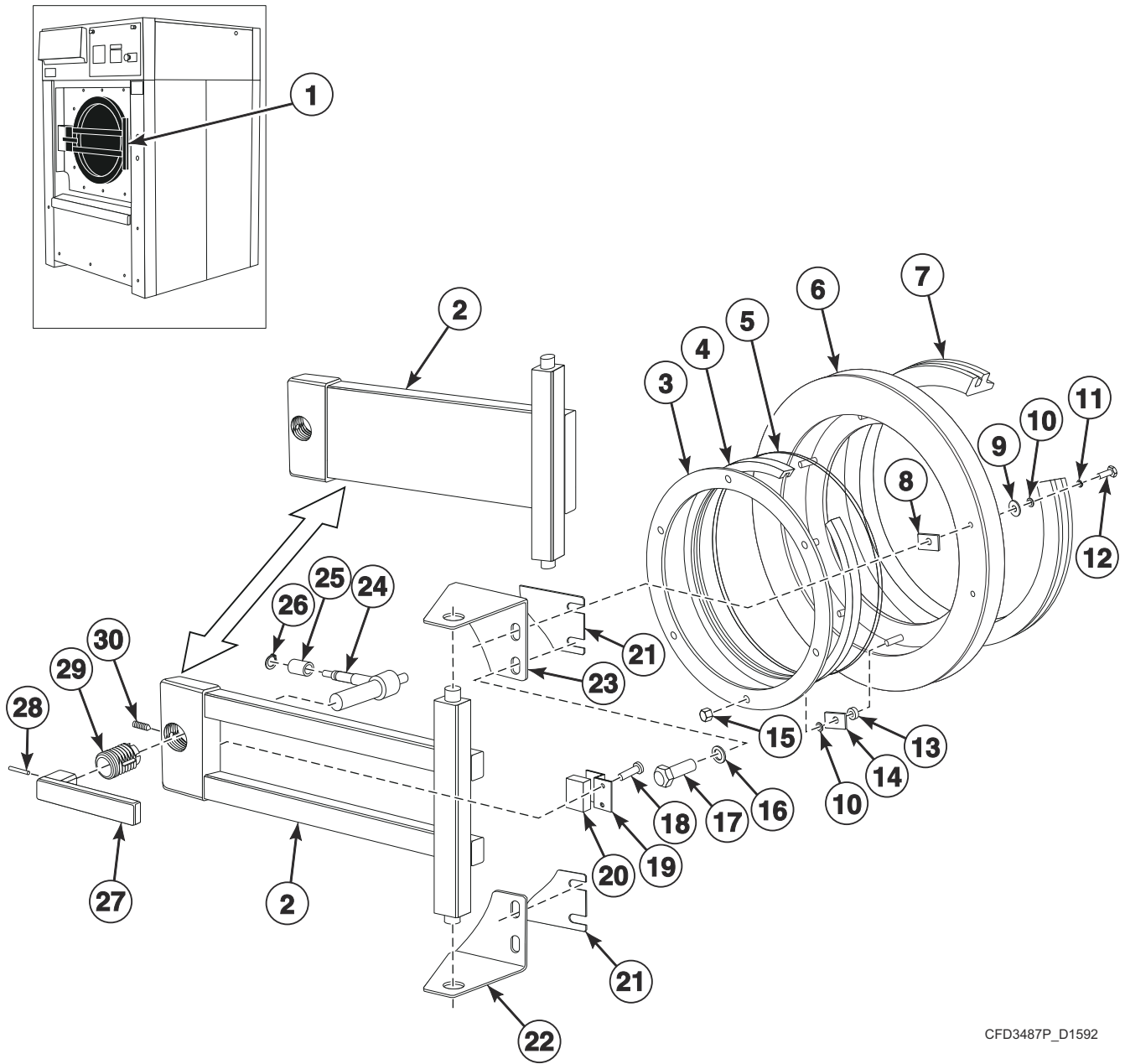


CFD2718P\_D1592

# Tensioning System

REF	PART NO.	DESCRIPTION	COMMENTS
1	SP310934000012	Nut	M12
2	SP311127000012	Washer	12
3	SP311125000013	Washer	13
4	SP515452	Adjusting Rod	
5	SPF04118000014	Tension Roller	33, 75 and 335 models
	SPF02118000014	Tension Roller	40, 55, 90, 120, 125, 400, 520 and 550 models
6	SP307732030025	Retaining Ring	
7	SP307732031062	Retaining Ring	
8	SPF02118000615	Washer	
9	SPPRI608000041	Bearing	
10	SPF04118000514	Roller	33, 75 and 335 models
	SPF02118000514	Roller	40, 55, 90, 120, 125, 400, 520 and 550 models
11	SP309933001230	Bolt	M12x30
12	SPF02118100013	Tension Roller	

# Door - FS, L, M, N and P Models

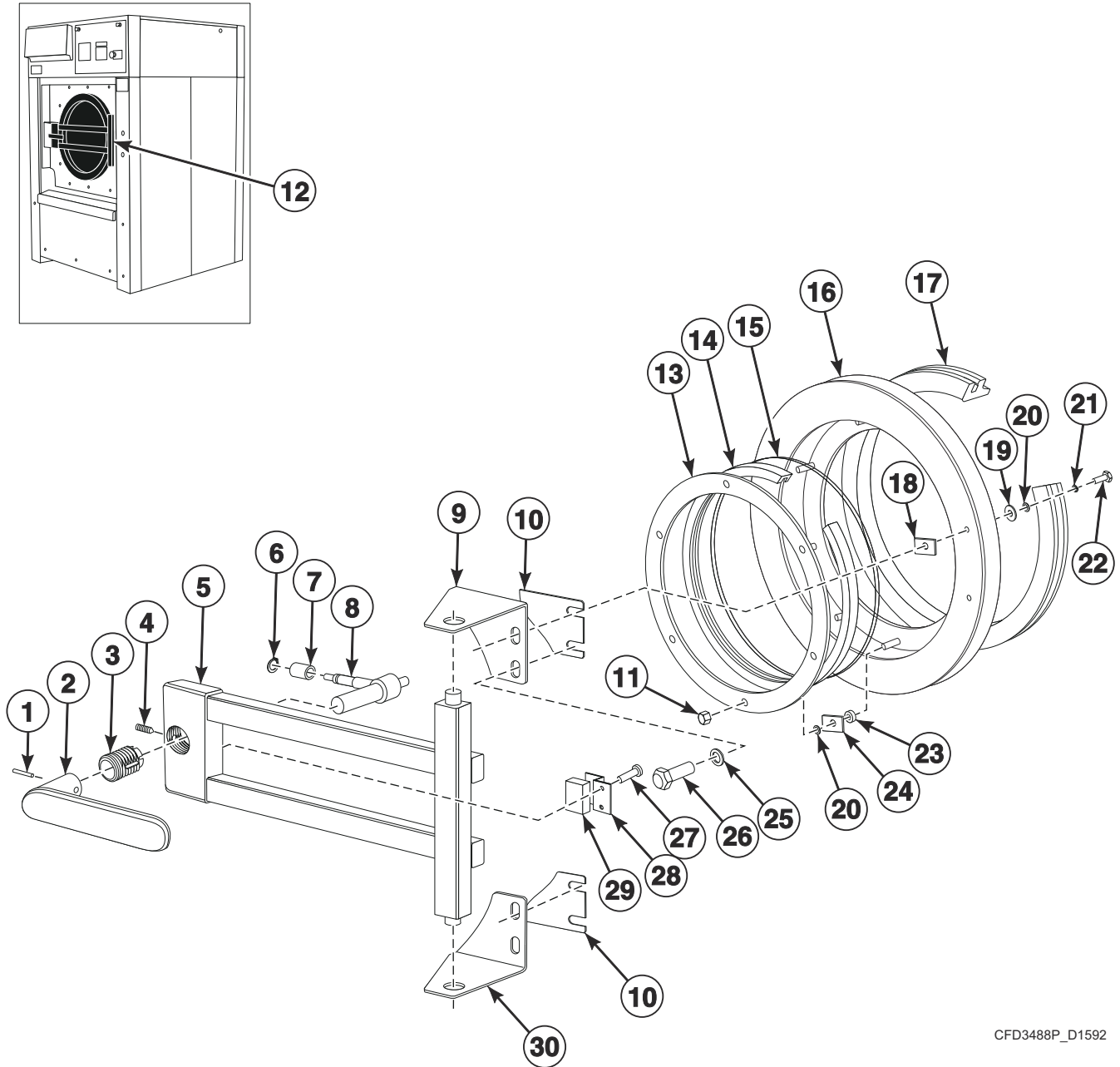


CFD3487P\_D1592

## Door - FS, L, M, N and P Models

REF	PART NO.	DESCRIPTION	COMMENTS
1	SP556063	Complete Door	
2	SP519443	Door Hinge Bars	
	SP519444	Door Hinge Plate	
3	SPF02107000813	Tyre	
4	SP273115021905	Glass Seal	
5	SPF02107003314	Door Glass	
	SP515509	Door Glass	Wet cleaning
6	SPF02107100013	Door	
7	SPF02107003214	Door Seal	
8	SPF02107002115	Plate	
9	SP530884	Washer	
10	SP311125240006	Washer	6.4
11	SP311127240006	Washer	6
12	SP309933240618	Bolt	M6x18
13	SPF02107001815	Insert	
14	SPF02107001915	Washer	
15	SP310917240006	Nut	M6
16	SPF02100021615	Washer	
17	SP518494	Bolt	
18	SP309798524412	Bolt	M4x12
19	SPF02107002614	Magnet Holder	Code 519443
	SP507932	Magnet Holder	Code 519444
20	SPPRI346000031	Magnetic Switch Magnet	
21	SP519453	Distance Sheet	
22	519462	Lower Hinge	
23	519452	Upper Hinge	
24	SPF02107500014	Door Lever	
25	SP323622641243	Sleeve	
26	SP307732030014	Retaining Ring	14
27	SPF02107300024	Handle	
28	SP313515004035	Pin	4x35
29	SPF02107002315	Nut	
30	SP309913000610	Bolt	M6x10

# Door - H, I, J, S and U Models

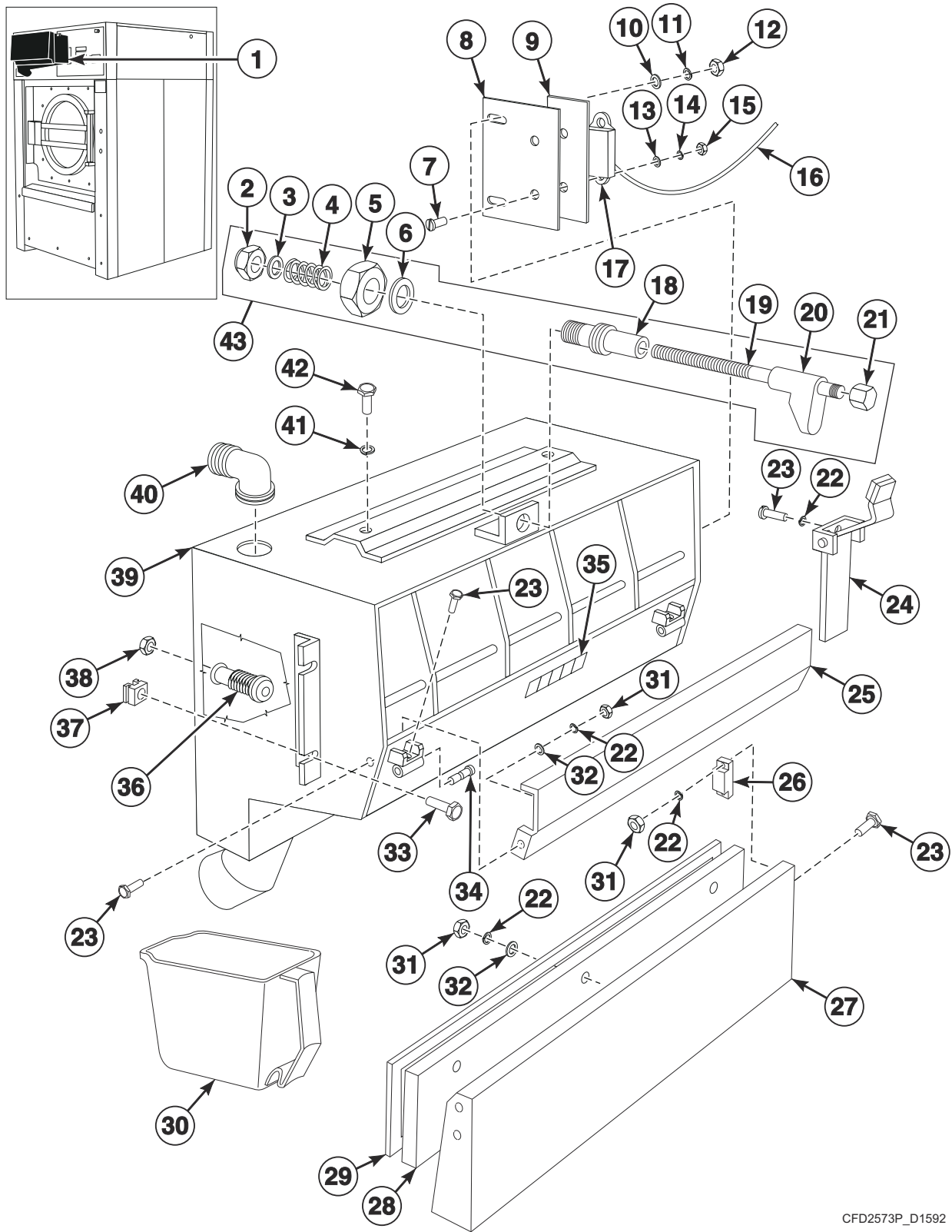


CFD3488P\_D1592

## Door - H, I, J, S and U Models

REF	PART NO.	DESCRIPTION	COMMENTS
1	SP554970	Pin	4x35
2	F8435501	Door Body	
3	SPF02107002315	Nut	
4	SP309913000610	Bolt	M6x10
5	SP519443	Door Hinge Bars	
6	SP307732030014	Retaining Ring	14
7	SP323622641243	Sleeve	
8	SP555115	Door Lever	
9	519452	Upper Hinge	
10	SP519453	Distance Sheet	
11	SP310917240006	Nut	M6
12	SP556063	Complete Door	
13	SPF02107000813	Tyre	
14	SP273115021905	Glass Seal	
15	SPF02107003314	Door Glass	
	SP515509	Door Glass	Wet cleaning
16	SPF02107100013	Door	
17	SPF02107003214	Door Seal	
18	SPF02107002115	Plate	
19	SP530884	Washer	
20	SP311125240006	Washer	6.4
21	SP311127240006	Washer	6
22	SP309933240618	Bolt	M6x18
23	SPF02107001815	Insert	
24	SPF02107001915	Washer	
25	SPF02100021615	Washer	
26	SP518494	Bolt	
27	SP309798524412	Bolt	M4x12
28	SPF02107002614	Magnet Holder	Code 519443
	SP507932	Magnet Holder	Code 519444
29	SPPRI346000031	Magnetic Switch Magnet	
30	519462	Lower Hinge	

# Soap Hopper



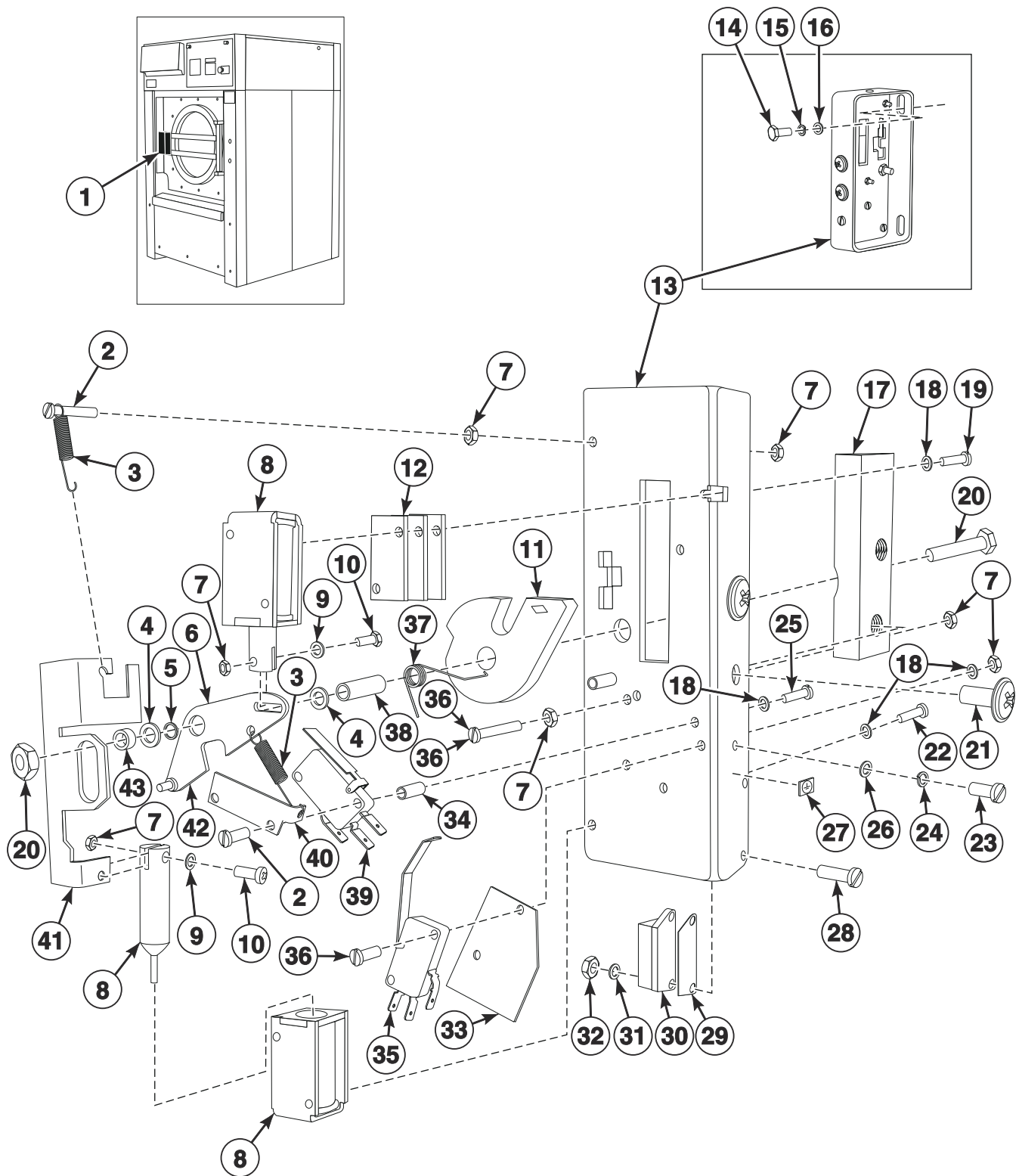
CFD2573P\_D1592



# Soap Hopper

REF	PART NO.	DESCRIPTION	COMMENTS
1	SP512814	Complete Soap Hopper	
2	SP310985000006	Nut	M6
3	SP311125000006	Washer	6.4
4	SP120102302325	Spring	
5	SP310934000012	Nut	M12
6	SP311127000012	Washer	12
7	SP309084000310	Bolt	M3x10
8	SPF02110001214	Holder	
9	SPF02110001314	Insulation	
10	SP311125000004	Washer	4.3
11	SP311127000004	Washer	4
12	SP310934000004	Nut	M4
13	SP311125000003	Washer	3.2
14	SP311127000003	Washer	3
15	SP310934000003	Nut	M3
16	SP283362004915	Insulation Tube	
17	SPPRI346000032	Magnetic Switch	
18	SP223110200115	Pin	
19	SP223110200415	Bolt	
20	SP321848480023	Safety Lever	
21	SP310917240006	Nut	M6
22	SP311127240004	Washer	4
23	SP309933240408	Bolt	M4x8
24	SP235110200014	Soap Hopper Level	
25	SP235110001413	Cover	
26	SPPRI346000031	Magnetic Switch Magnet	
27	SP223110600013	Soap Hopper Cover	
	SP223110700013	Complete Soap Hopper Cover	
28	SP235111200013	Cover Insert	
29	SP273442021020	Seal	
30	SP321848223000	Vessel	
31	SP310934240004	Nut	M4
32	SP311125240004	Washer	4.3
33	SP309933240612	Bolt	M6x12
34	SP235110001215	Door Pin	
35	SP548000091014	Label	
36	570375	Nozzle	Upper
37	SP310934240006	Nut	M6
38	570374	Nut	Lower
39	SP512813	Soap Hopper	
40	SPPRI504000069	Elbow	
41	SP311127000006	Washer	6
42	SP309933000610	Bolt	M6x10
43	SPF02110200014	Soap Hopper Lock	

# Door Lock

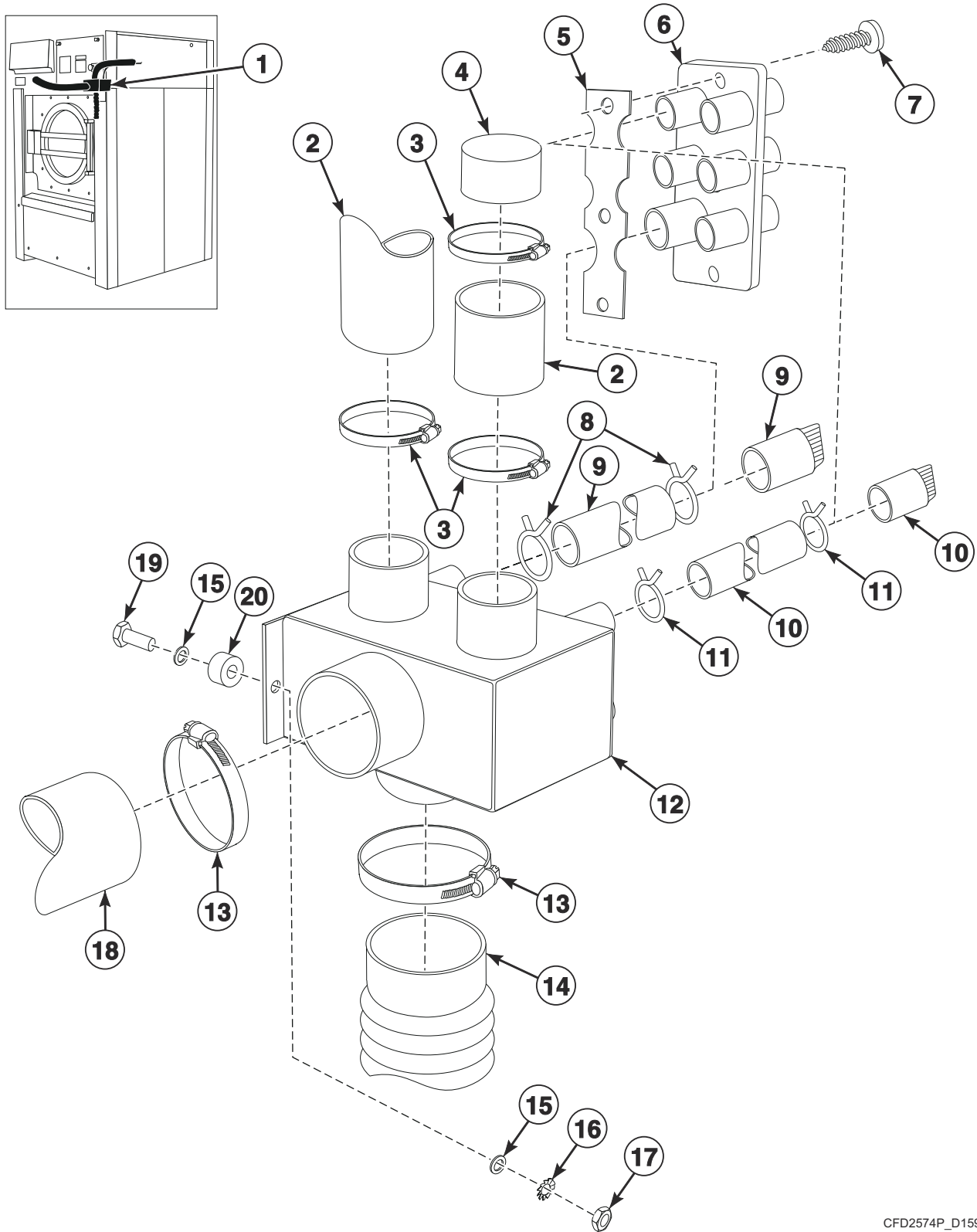


CFD2572P\_D1592

# Door Lock

REF	PART NO.	DESCRIPTION	COMMENTS
1	SP530714	Door Lock	MC6; 33, 75 and 335 models through Serial No. 33F002379BZ; 40, 90 and 400 models through Serial No. 40F002452BZ; 55, 120, 125 and 520 models through Serial No. 55F003565DB
	SP560722	Door Lock	MC7; 33, 75 and 335 models starting Serial No. 33F002380DB; 40, 90 and 400 models starting Serial No. 40F002453DB; 55, 120, 125, 520 and 550 models starting Serial No. 55F003566DB
2	SP309084000316	Bolt	M3x16
3	SPPRI611000007	Spring	
4	SP311125100006	Washer	6.4
5	SPF02117001714	Ring	
6	568816	Link	
7	SP310934000003	Nut	M3
8	SPF02117001814	Coil Modification	CSA
9	SP555746	Washer	
10	SP309798500314	Bolt	M3x14
11	SPF02117001214	Cam	
12	SPF02117002414	Washer	
13	SP511241	Element	
14	SP309933240822	Bolt	M8x22
15	SP311127240008	Washer	8
16	SP311125240008	Washer	8.4
17	SPF02117001314	Rising Section	
18	SP311125000003	Washer	3.2
19	SP309084240312	Bolt	M3x12
20	SP518556	Bolt	
21	SP309595240612	Bolt	M6x12
22	SP309084000306	Bolt	M3x6
23	SP309084100408	Bolt	M4x8
24	SP311127000004	Washer	4
25	SP309084000310	Bolt	M3x10
26	SP311125100004	Washer	4.3
27	SPPRI551000001	Earthing Index Plate	10
28	SP309084000416	Bolt	CSA; M4x16
29	SPF02110001314	Insulation	CSA
30	SPPRI346000032	Magnetic Switch	CSA
31	SP311125000004	Washer	CSA; 4.3
32	SP310934000004	Nut	CSA; M4
33	SP101154	Isolation Plate	
34	SPF02117001424	Column	
35	SPF02117002114	Microswitch	CSA
36	SP309084000320	Bolt	M3x20
37	SP315002015014	Spring	
38	SP518680	Tube	
39	SPF02117002224	Microswitch	CSA
40	SPF02117002614	Coil Holder	
41	SP533710	Gate	
42	SPF02117002514	Pin	
43	SP533712	Tube	

# Filling System

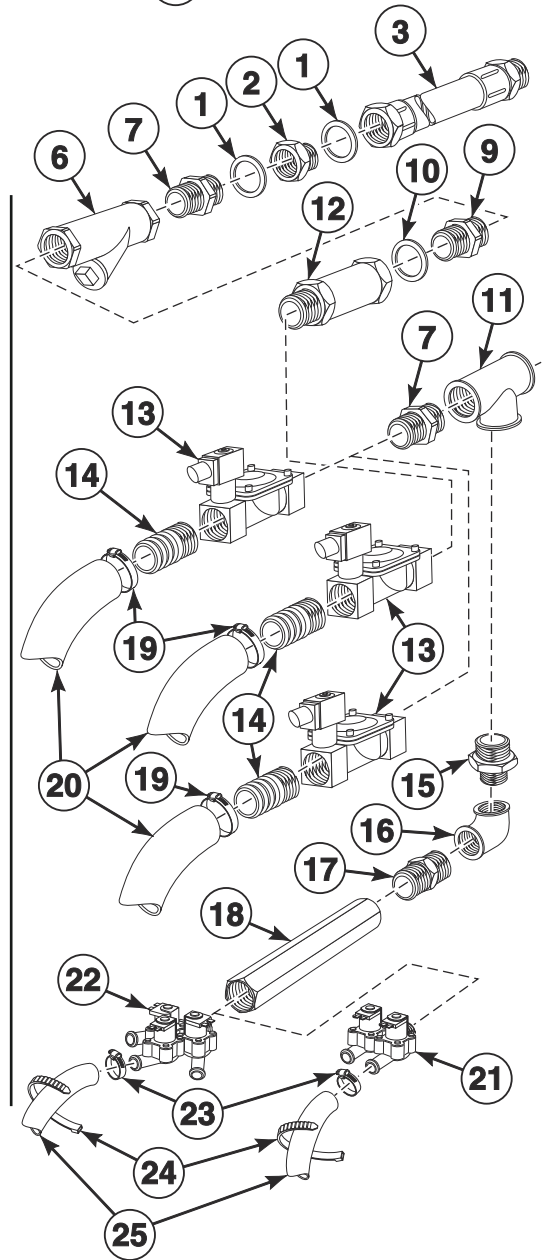
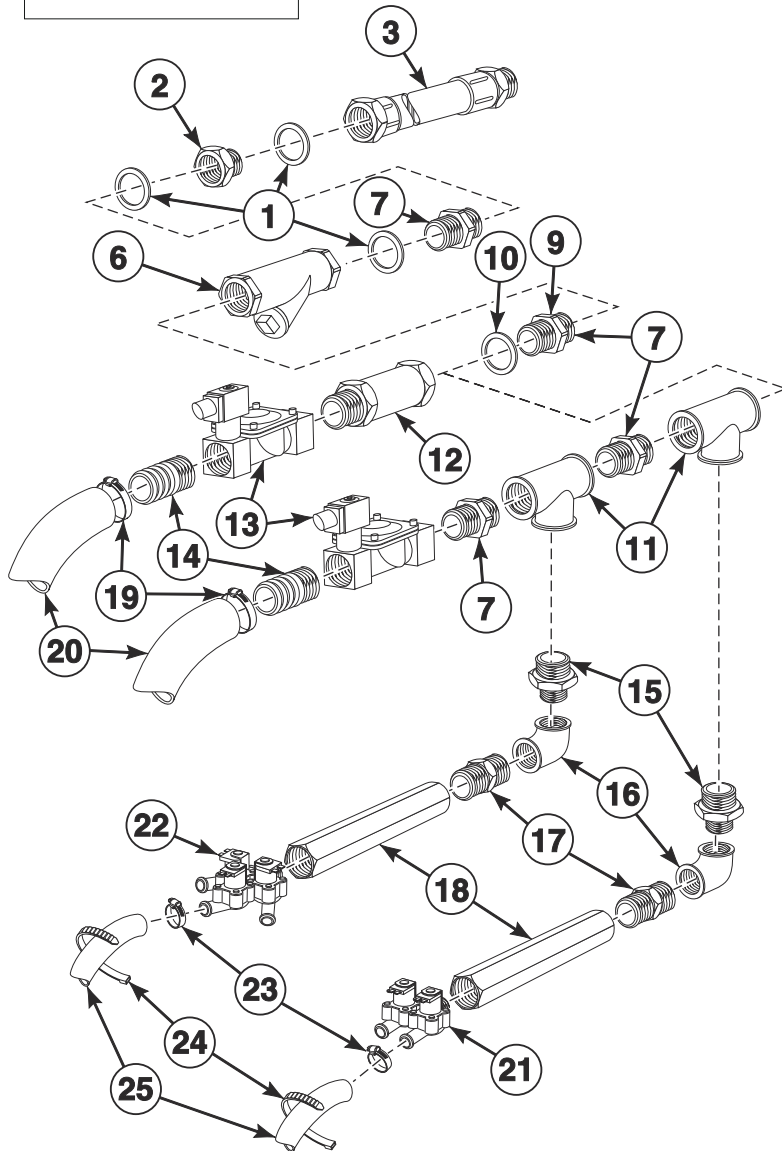
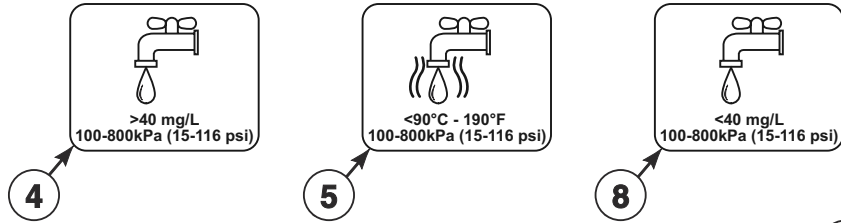
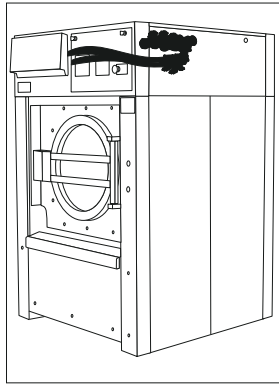


CFD2574P\_D1592

## Filling System

REF	PART NO.	DESCRIPTION	COMMENTS
1	SPF04109000024	Mixing Knot	33, 75 and 335 models
	SPF02109000024	Mixing Knot	40, 90 and 400 models
	SPF03109000024	Mixing Knot	55, 120, 125, 520 and 550 models
2	SP273238003242	Hose	
3	SPPRI240000008	Hose Clamp	
4	SP526156	Plug	d32
5	SP526128	Threaded Plate	
6	SP522090	Connection Wall	For 6 hoses
7	SP510856	Screw	M4x13
8	SP526134	Clip	d18.5-19.5
9	SPPRI540020005	Hose	d10/14
	SP526150	Hose Plug	10
10	SP522200	Hose	14/18
	SP526151	Hose Plug	14
11	SP526133	Clip	d15.5-16
12	SP515143	Mixer	33, 75 and 335 models through Serial No. 33F001573JV; 40, 90 and 400 models through Serial No. 40F001704JX; 55, 120, 125 and 520 models through Serial No. 55F002257JX; 3 water inlets
	SP515144	Mixer	33, 75 and 335 models through Serial No. 33F001573JV; 40, 90 and 400 models through Serial No. 40F001704JX; 55, 120, 125 and 520 models through Serial No. 55F002257JX; 2 water inlets
	SP522121	Mixer	33, 75 and 335 models starting Serial No. 33F001574JV; 40, 90 and 400 models starting Serial No. 40F001705JX; 55, 120, 125 and 520 models starting Serial No. 55F002258JX
13	SPPRI240000021	Hose Clamp	
14	SP273396307058	Hose	
15	SP310934000006	Nut	M6
16	SP311127000006	Washer	6
17	SP311125000006	Washer	6
18	SP273238006076	Hose	
19	SP309933000625	Bolt	M6x25
20	SP526152	Distance Tube	

# Filling Valves

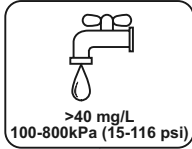
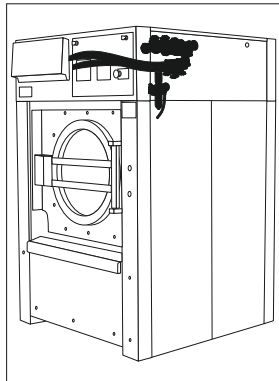


CFD3512P\_D1592

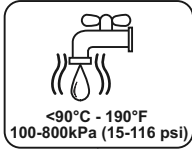
## Filling Valves

REF	PART NO.	DESCRIPTION	COMMENTS
1	SP506708	Seal	
2	567175	Adapter	CSA; 1 inch BSP/NSPH
3	SPPRI505003055	Inlet Hose	Without tilting system; 1000 mm long
	SP534653	Filling Hose Pipe	With tilting system; 1650 mm long
	F200185	Water Hose	CSA
4	SP527272	Index Plate	Cold hard water
5	SP527270	Index Plate	Hot water
6	SP405054057008	Filter	Non-CSA
7	SPPRI426001220	Pipe Nipple	1 inch
8	SP527271	Index Plate	Cold soft water
9	SP235134600414	Pipe Nipple	
10	SPF02111001214	Washer	
11	SPPRI426002112	Branch T	1 inch
12	SPF02111001114	Extension	
13	SP567065	Valve	G1 inch
14	SP235134601115	Insert Tube	
15	SP235134601314	Reducing Insert	
16	SPPRI426002072	Elbow	3/4 inch
17	SPPRI426001217	Pipe Nipple	3/4 inch
18	SP235134601424	Extension	
19	SPPRI240000008	Hose Clamp	
20	SP273238003242	Hose	
21	SP101344	2-Way Inlet Valve	3/4 inch
22	SP101345	3-Way Inlet Valve	3/4 inch
23	SPPRI240000002	Hose Clamp	
24	SP345000160971	Binding Strip	
25	SPPRI540000014	Hose	

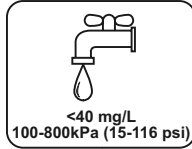
# Air-Operated Valves



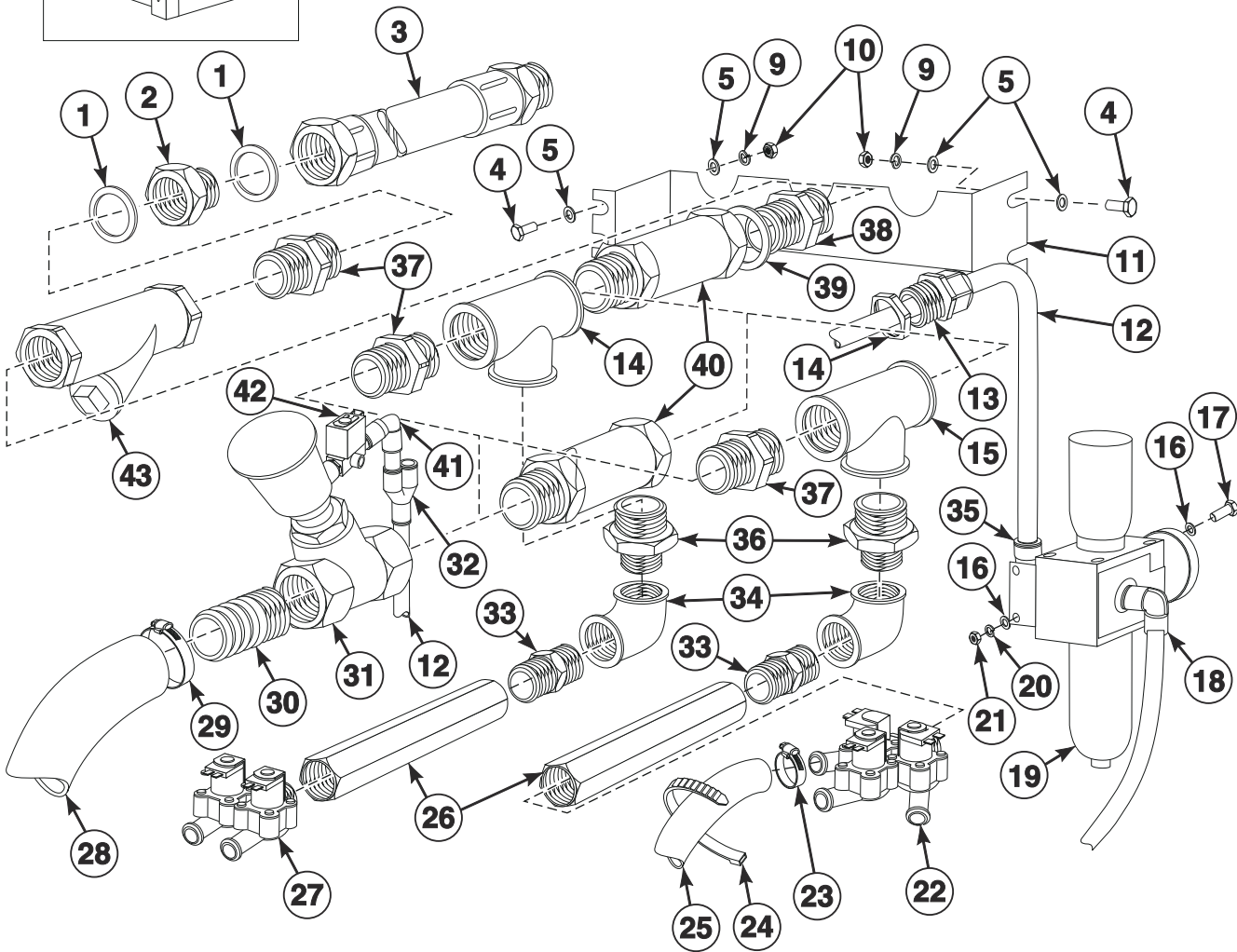
6



7



8



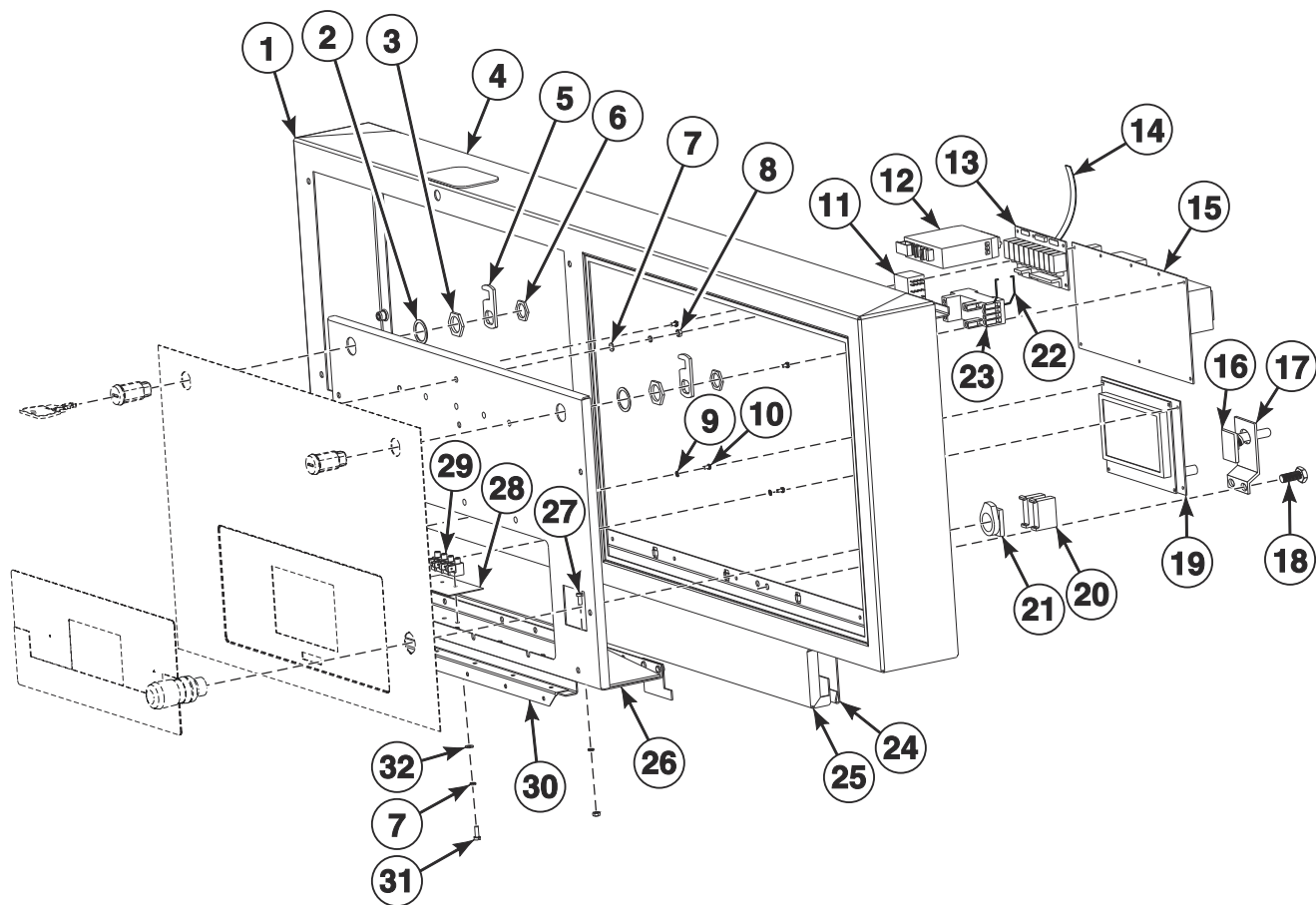
CFD3513P\_D1592



## Air-Operated Valves

REF	PART NO.	DESCRIPTION	COMMENTS
1	SP506708	Seal	
2	567175	Adapter	CSA; 1 inch; BSP/NSPH
3	F200185	Water Hose	CSA
	SPPRI505003055	Inlet Hose	Non-CSA
4	SP309933000616	Bolt	M6x16
5	SP311125000006	Washer	6
6	SP527272	Index Plate	Cold hard water
7	SP527270	Index Plate	Hot water
8	SP527271	Index Plate	Cold soft water
9	SP311127000006	Washer	6
10	SP310934000006	Nut	M6
11	SP511246	Brace	
12	SP319300006001	Hose	6x1
13	SPPRI350000045	Cable Bushing	
14	SPPRI350001045	Nut	
15	SPPRI426002112	Branch T	1 inch
16	SP311125000005	Washer	5
17	SP309933000516	Bolt	M5x16
18	SP319428330800	Pipe Nipple	1/4 inch
19	SP347600100112	Filter Pressure Regulator	1/4 inch; Through January 29, 2019
	570801	Filter Pressure Regulator	Starting January 30, 2019
	SP405113111112	Pressure Regulator Grip	Through January 29, 2019
	570804	Pressure Regulator Grip	Starting January 30, 2019
20	SP311127000005	Washer	5
21	SP310934000005	Nut	M5
22	SP101345	3-Way Inlet Valve	3/4 inch
23	SPPRI240000002	Hose Clamp	
24	SP345000160971	Binding Strip	
25	SPPRI540000014	Hose	
26	SP235134601424	Extension	
27	SP101344	2-Way Inlet Valve	3/4 inch
28	SP273238003242	Hose	
29	SPPRI240000008	Hose Clamp	
30	SP235134601115	Insert Tube	I
31	SP510808	Valve	G 1 inch
32	SP405113000006	Coupling	Y6
33	SPPRI426001217	Pipe Nipple	3/4 inch
34	SPPRI426002072	Elbow	3/4 inch
35	SP503883	Pipe Nipple	1/4 inch
36	SP235134601314	Reducing Insert	II
37	SPPRI426001220	Pipe Nipple	1 inch
38	SP235134600414	Pipe Nipple	
39	SPF02111001214	Washer	
40	SPF02111001114	Extension	
41	SP319428330060	Pipe Nipple	1/8 inch
42	SP510809	Valve	G 1/8 inch
43	SP405054057008	Filter	Non-CSA

# Control Panel - Professional, Aries Elite, PROform, HC-200, QED Select, and X Control Plus Models (Drawing 1 of 2)



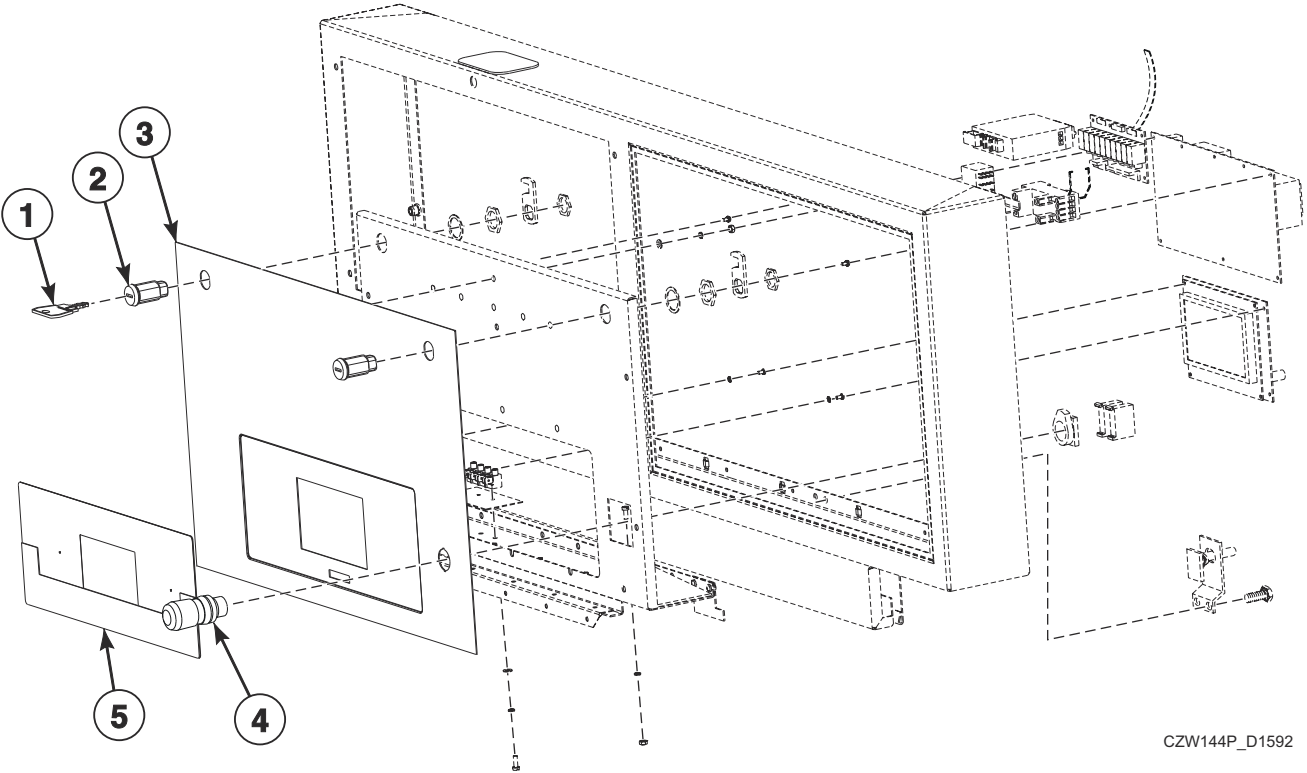
CZW143P\_D1592

## Control Panel - Professional, Aries Elite, PROform, HC-200, QED Select, and X Control Plus Models (Drawing 1 of 2)

REF	PART NO.	DESCRIPTION	COMMENTS
	564690	End of Cycle Beacon	CSA; Models starting 8/11/16
	SP514131	Beacon	End of Cycle; Non-CSA
	SP514132	Bulb	End of Cycle
	F8600501	Programming Cable	
	SP516844	Buzzer	End of Cycle; Non-CSA
	566472	End of Cycle Light and Buzzer Kit	Without recuperation
	566473	End of Cycle Light Kit	Without recuperation; CSA
	566474	End of Cycle Light and Buzzer Kit	With recuperation
	566475	End of Cycle Light Kit	With recuperation; CSA
<b>1</b>	SP512834	Complete Front Panel	
	SP311679800003	Washer	M3
<b>2</b>	SPPRI522000012	Washer	
<b>3</b>	SPPRI610005007	Nut	
<b>4</b>	SP321848542070	Cover	
<b>5</b>	SPPRI610001007	Lock Hook	
<b>6</b>	SPPRI610006007	Nut	
<b>7</b>	SP311127000004	Washer	4
<b>8</b>	SP310934000004	Nut	M4
<b>9</b>	SP311679800003	Washer	M3
<b>10</b>	SP309798500306	Bolt	M3x6
<b>11</b>	SP347100460720	Relay	4 poles; With tilting system
<b>12</b>	N/A	Amplifier	With weighing system
<b>13</b>	SP547003	Relay Extension Board	With water recuperation and tilting system
<b>14</b>	SP552428	Relay Board Connection Cable	With water recuperation and tilting system
<b>15</b>	SP553405	Control Board Power	
	SP547066	Board Interconnection Cable	
<b>16</b>	SPPRI345000068	Vibration Switch	
<b>17</b>	SPF02145001114	Vibration Switch Holder	
<b>18</b>	SP309933000616	Bolt	M6x16
<b>19</b>	SP553411	Control Board	FS, J, L, M, N and P models
	SP553412	Control Board	H, S and U models
	SP553419	Control Board	I models
<b>20</b>	SP528312	Switching Unit	
<b>21</b>	SP528311	Emergency Stop Connector	
<b>22</b>	SP347100728801	Clip Relay	With tilting system
<b>23</b>	SP347100787384	Relay Cap	With tilting system
<b>24</b>	SP511231	Upper Plate	
<b>25</b>	SP511232	Top Front Cover	
<b>26</b>	SP551873	Cover	
<b>27</b>	SP309084000410	Bolt	M4x10
<b>28</b>	SPPRI350012007	Isolation Paper	
<b>29</b>	SPPRI350000007	Terminal Board	
<b>30</b>	SPF02114400014	Panel Hinge	
<b>31</b>	SP309084000412	Bolt	M4x12
<b>32</b>	SP311125000004	Washer	4.3

N/A = Part no longer available

# Control Panel - Professional, Aries Elite, PROform, HC-200, QED Select, and X Control Plus Models (Drawing 2 of 2)

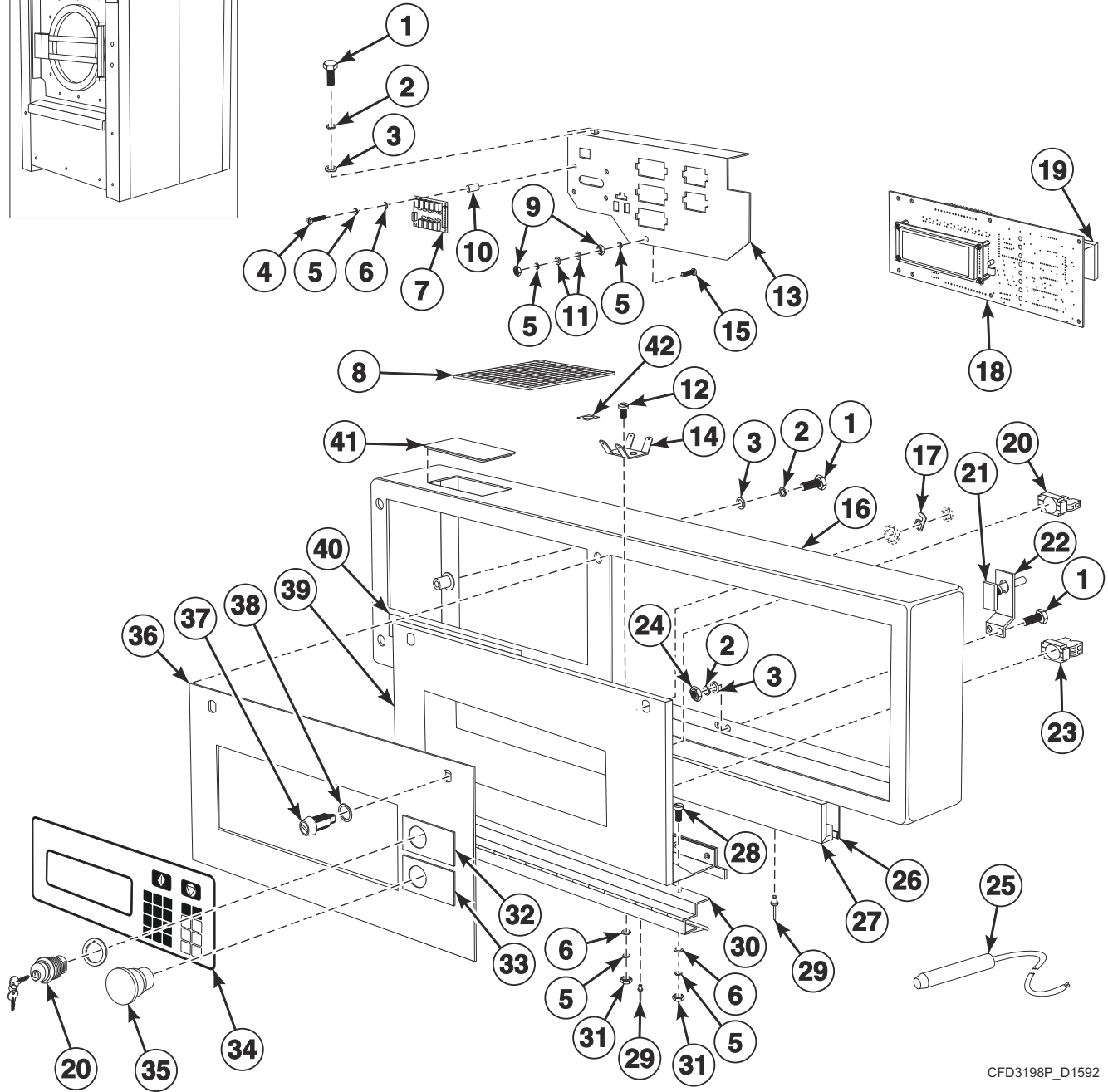
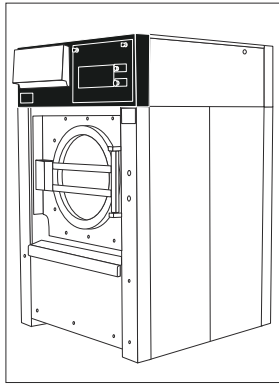


CZW144P\_D1592

## Control Panel - Professional, Aries Elite, PROform, HC-200, QED Select, and X Control Plus Models (Drawing 2 of 2)

REF	PART NO.	DESCRIPTION	COMMENTS
1	SPPRI610003923	Key	
2	SPPRI610000007	Lock	Short; Includes SPPRI610003923 Key
3	SP551872	Sticker	
4	SP528310	Emergency Stop Knob	
5	SP559862	Keyboard	U models; Starting January 1, 2016
	SP557565	Keyboard	I models; Starting January 1, 2016
	SP557130	Keyboard	S models; Starting January 1, 2016
	SP557131	Keyboard	H models; Starting January 1, 2016
	SP547085	Keyboard	FS, M, N and P models
	SP547087	Keyboard	L models
	SP554984	Keyboard	U models; CSA; Through Serial No. 40F002774FB and 55F003896DW
	SP554985	Keyboard	H models through Serial No. 40F002697DU and 55F003890DW; I models through Serial No. 40F002673DS and 55F003929DZ; S models through Serial No. 40F002703DW and 55F003824DS
	SP559397	Keyboard	J models

# Control Panel - Micro Models

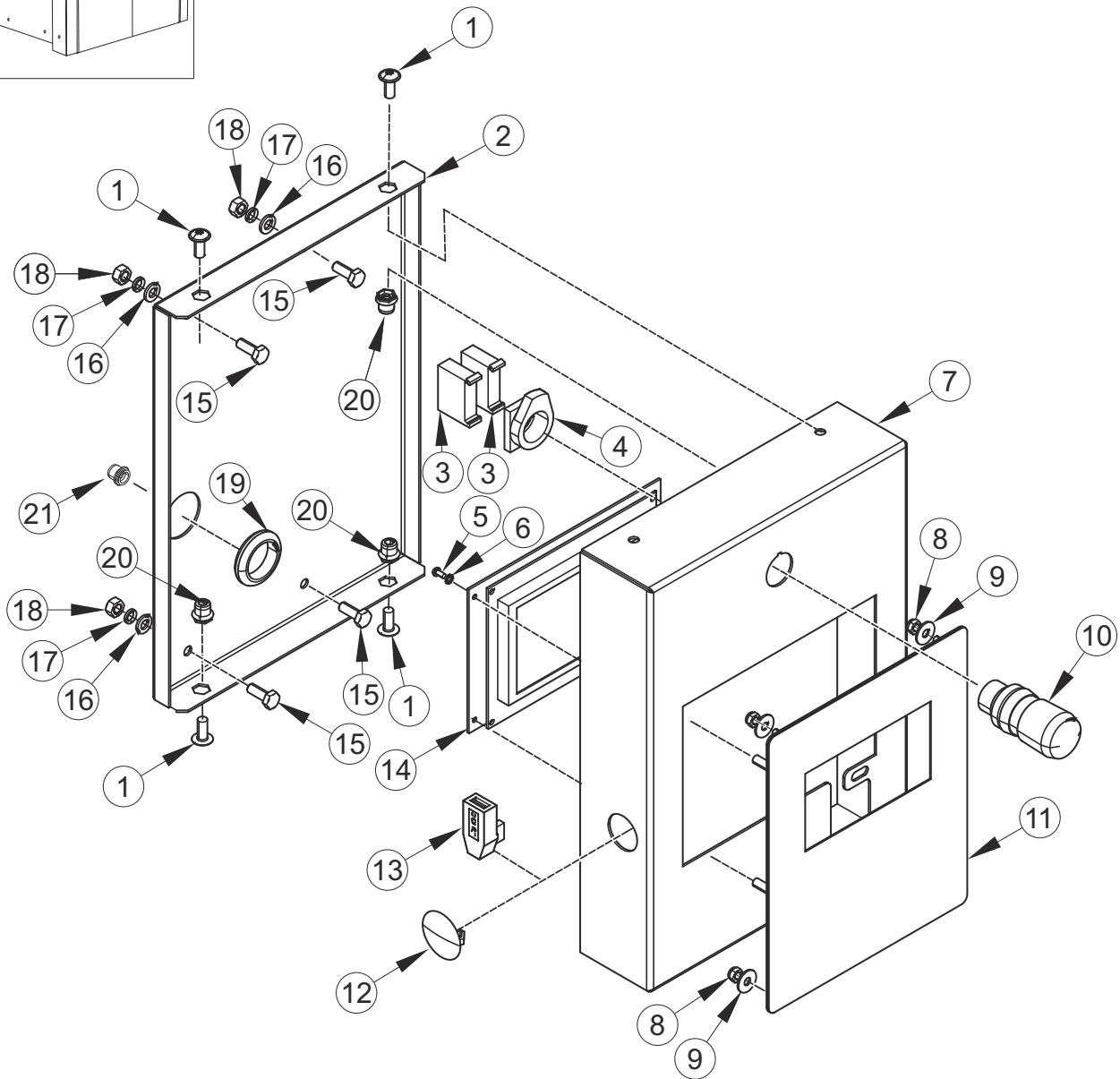
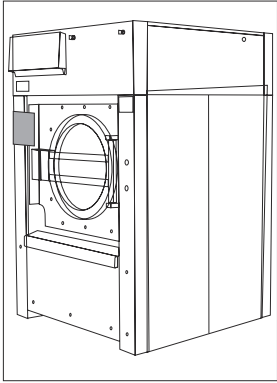


CFD3198P\_D1592

## Control Panel - Micro Models

REF	PART NO.	DESCRIPTION	COMMENTS
	SP514131	Beacon	
	SP514132	Bulb	
	SP516844	Buzzer	
	SP552297	End of Cycle Light and Buzzer Kit	Without water recuperation
	SP552298	End of Cycle Light and Buzzer Kit	With water recuperation
1	SP309933000610	Bolt	M6x16
2	SP311127000006	Washer	6
3	SP311125000006	Washer	6
4	SP309084000420	Bolt	M4x20
5	SP311127000004	Washer	4
6	SP311125000004	Washer	4
7	SP520139	Relay Board Extension	Used with water recuperation option
	SP520187	Extension Relay Board Cable	
8	SP502099	Label	Device
9	SP310934100004	Nut	M4
10	SPPRI543000005	Distance Tube	
11	SP311125100004	Washer	4
12	SP309084000412	Bolt	M4x12
13	SP534876	Board	
14	SP345000140609	Contact	
15	SP309084100416	Bolt	M4x16
16	SPF02114100013	Front Panel	
17	SPPRI610001007	Lock Hook	Big
18	SP526008	Control Board	Version MC5 FC
19	SP526001	Memory	
20	SPPRI348000113	Change Over Switch	
	SPPRI610001009	Key	
21	SPPRI345000068	Vibration Switch	
22	SPF02145001114	Vibration Switch Holder	
23	SP102260	Contact Block	
24	SP310934000006	Nut	M6
25	SP503839	Temperature Sensor	
26	SP511231	Upper Plate	
27	SP511232	Top Front Cover	
28	SP309084000410	Bolt	M4x10
29	SP313250004125	Rivet	4x7.5
30	SPF02114400014	Panel Hinge	
31	SP310934000004	Nut	M4
32	501100009214	Label	Run-record; Gray plate
	SP507923	Label	Run-record; Black plate
33	SPPRI551005248	Emergency Stop Label	Central stop; Gray plate
	SP507924	Label	Central stop; Black plate
34	SP520681	Keyboard	Gray
	SP525909	Keyboard	Black
35	SP102259	Emergency Stop Button	
36	SP504990	Sticker	Gray
	SP504945	Sticker	Black
37	SPPRI610000007	Lock	Short; Includes key with code 25001
38	SPPRI522000012	Washer	
39	SP504992	Top Cover	1
40	SP101805	Sticker	Logo
41	SP321848542070	Cover	Small; 14
42	SPPRI551000001	Earthing Index Plate	10

# Control Panel - FS and P Models; BTS



C-CZW7P\_D1592



## Control Panel - FS and P Models; BTS

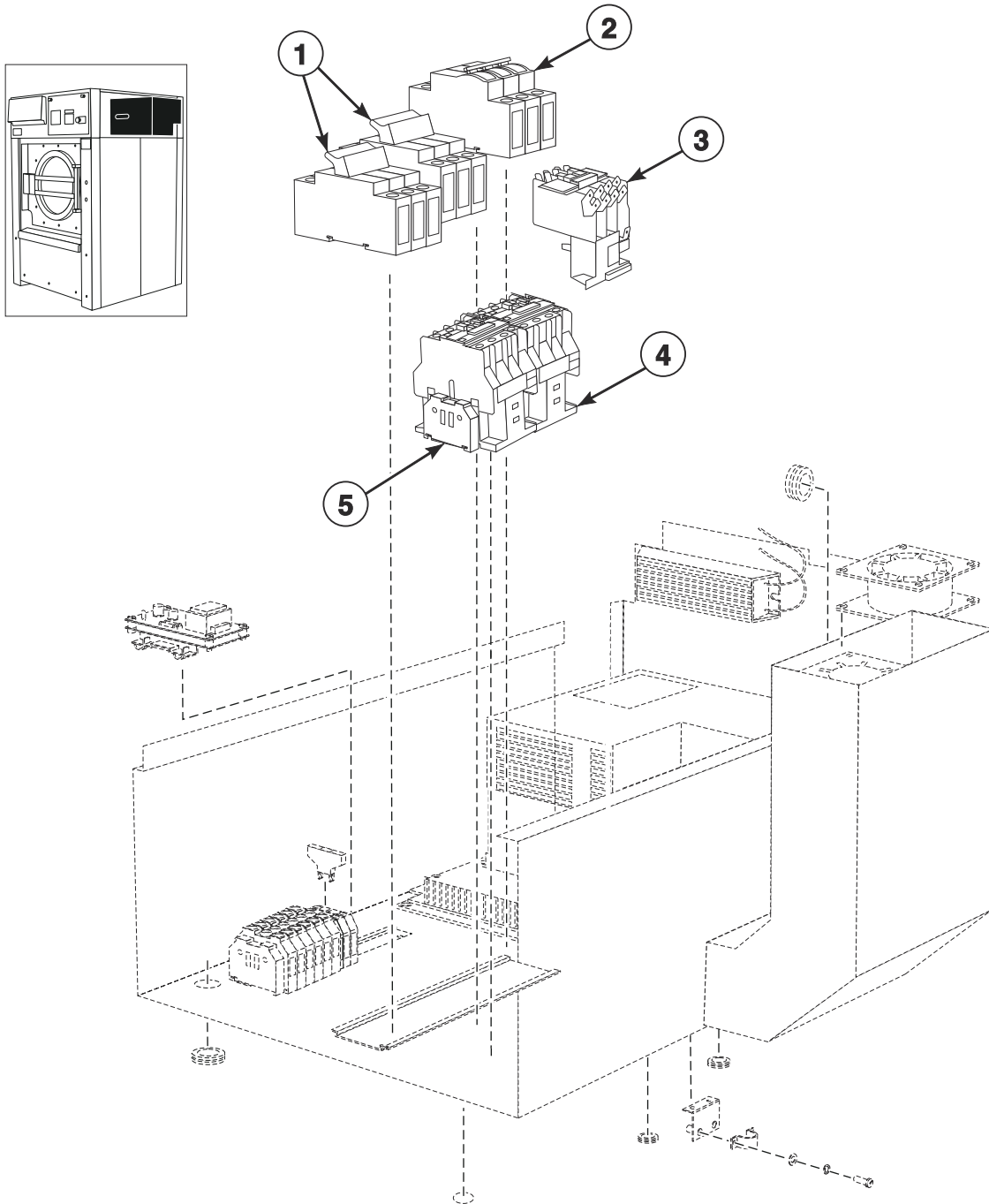
REF	PART NO.	DESCRIPTION	COMMENTS
	557225	Control Panel Assembly Kit	
1	SP537854	Bolt	M6x16
2	557206	Keyboard Box Cover Weldment	
3	SP528312	Switching Unit	
4	SP528311	Emergency Stop Connector	
5	SP309798500306	Bolt	M6x3
6	SP311679800003	Washer	
7	557208	Keyboard Box Cover Weldment	
8	SP310985000005	Nut	M8
9	SP505430	Washer	
10	SP528310	Emergency Stop Knob	
11	SP553402	Keyboard	
12	SP345900032132	Plug	
13	553155	USB Adapter	
14	SP553411	Control Board	
15	SP309933240616	Bolt	M6x16
16	SP311125240006	Washer	6.4
17	SP311127240006	Washer	6
18	SP310934240006	Nut	M6
19	SPPRI501000071	Cable Bushing	
20	SP313251000006	Nut	
21	SP537560	Nut	



## Rear Panel

REF	PART NO.	DESCRIPTION	COMMENTS
	SPPRI348000097	Switch	Both steam and electric heat
	SPPRI505000034	Elbow	
	SPPRI551006001	Label	PE
	SPPRI551001001	Label	L1 L2 L3
	SP529611	Soap Connection Kit	
	SP545245	Cable	RS485
	SP547006	USB Cable	
<b>1</b>	SP518615	Complete Rear Panel	
<b>2</b>	SP101417	Nut	
<b>3</b>	SP311127000006	Washer	6
<b>4</b>	SP309933000610	Bolt	M6x16
<b>5</b>	560724	Plate	
<b>6</b>	SPPRI404000095	Main Switch Knob	
<b>7</b>	SP530755	Greasing Index Plate	
<b>8</b>	SPPRI551000047	Label	Exhaust
<b>9</b>	SP345900025012	Plug	
<b>10</b>	SP548011123014	Index Plate	Flash
<b>11</b>	SPPRI404000098	Main Switch	Steam heat; 32A
	SP347700100753	Main Switch	33, 40, 75, 90, 335, and 400 330-415V electric heat models; 55, 120, 125, 520 and 550 440-480V electric heat models; 100A
	SPPRI404000099	Main Switch	33, 40, 75, 90, 335, and 400 models; 440-480V electric heat; 63A
	SP347700125175	Main Switch	40, 90 and 400 models; 200-240V electric heat; 125A
	SP504589	Main Switch	55, 120, 125, 520 and 550 models; 200-240V electric heat; 250A
<b>12</b>	SP101420	Nut	Hot/cold water inlets or steam heat
<b>13</b>	SP101419	Nut	Hot/cold water inlets or steam heat
<b>14</b>	SP309933000416	Bolt	M4x16
<b>15</b>	SP311125000004	Washer	4
<b>16</b>	SP310936000014	Nut	M14x1.5
<b>17</b>	SP311125240006	Washer	6
<b>18</b>	SP311679824006	Washer	6
<b>19</b>	SP309933000620	Bolt	M6x20
<b>20</b>	SP311125000014	Washer	14
<b>21</b>	SP310934000004	Nut	M4
<b>22</b>	SP101406	Bushing	
<b>23</b>	SP101416	Nut	
<b>24</b>	SP273121013002	Bushing	13x2
	SPPRI505000064	Plug	Without soap supply system
<b>25</b>	SP534273	Box	
<b>26</b>	SP230131300715	Reducing Sleeve	
<b>27</b>	SP425111211043	Greasing Head	
<b>28</b>	SP524714	Soap Relay Board	8 relays; 24Vac LED indication
<b>29</b>	SP311679800004	Washer	4.3
<b>30</b>	SP101409	Bushing	Hot/cold water inlets or steam heat
<b>31</b>	SP516808	Seal	Electric heat; 32.5x13.2
<b>32</b>	SP101410	Cable Bushing	Electric heat
<b>33</b>	SP345900043132	Plug	Hot/cold water inlets or steam heat
<b>34</b>	SP309595240612	Bolt	M6x12
<b>35</b>	SP101407	Bushing	
<b>36</b>	SP515600	Frequency Converter Cover	

# Box of Electrical Components - Professional, Aries Elite, PROform, HC-200, QED Select and X Control Plus Models (Drawing 1 of 2)

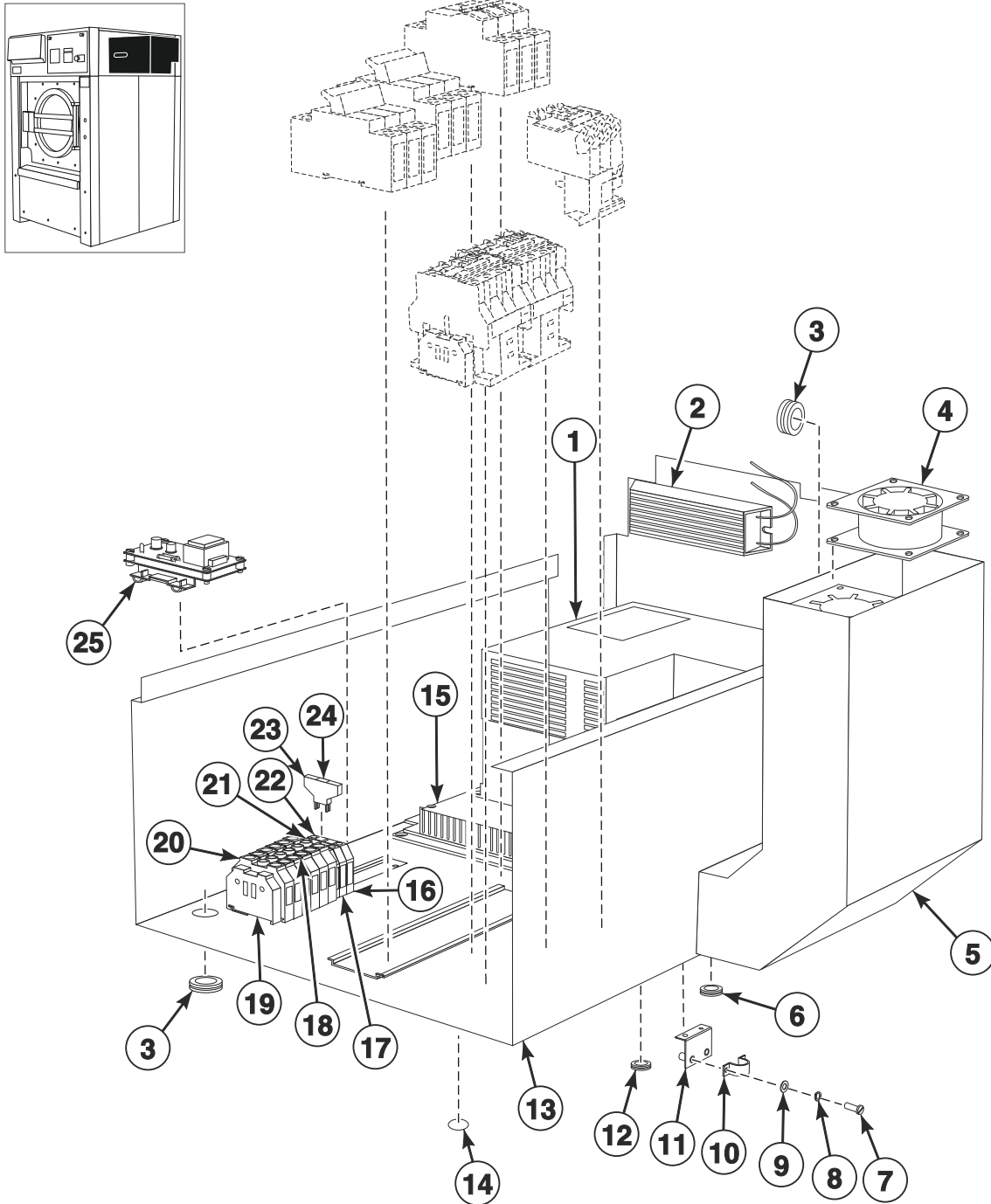


CFD2723P\_D1592

## Box of Electrical Components - Professional, Aries Elite, PROform, HC-200, QED Select and X Control Plus Models (Drawing 1 of 2)

REF	PART NO.	DESCRIPTION	COMMENTS
1	SP358251601312	Fuse Isolator	Electric heat
	SP358251503240	Fuse Insert	Electric heat; 32A
	SP358251503220	Fuse Insert	90 and 125 models; Electric heat; 25A
2	SP358251601312	Fuse Isolator	Electric heat
	SP358251503160	Fuse Insert	Electric heat; 16A
	SP358251503240	Fuse Insert	Electric heat; 32A
	SP358251503220	Fuse Insert	Electric heat; 25A
	SP524785	Circuit Breaker	Electric heat; 50A
3	SP514042	Contactactor	LC1D18M7
	SP514038	Contactactor	LC1-D09M7
	SPPRI345002019	Contactactor	LC1D32M7
4	SP514042	Contactactor	LC1D18M7
	SP514038	Contactactor	LC1-D09M7
	SPPRI345002019	Contactactor	LC1D32M7
	SP514042	Contactactor	LC1D18M7
	SP514038	Contactactor	LC1-D09M7
5	SP346000209101	End Stop	

# Box of Electrical Components - Professional, Aries Elite, PROform, HC-200, QED Select and X Control Plus Models (Drawing 2 of 2)

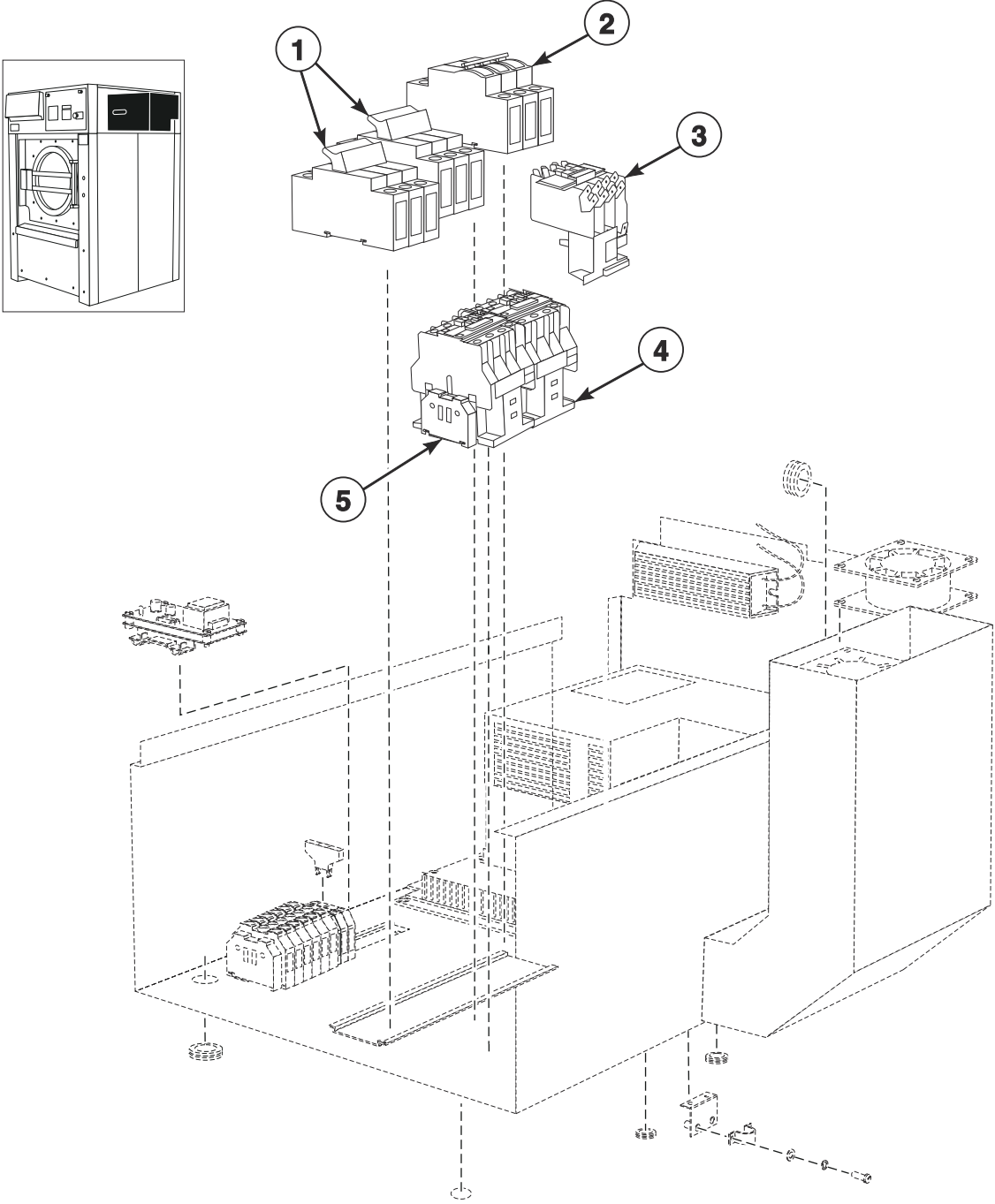


CFD2722P\_D1592

## Box of Electrical Components - Professional, Aries Elite, PROform, HC-200, QED Select and X Control Plus Models (Drawing 2 of 2)

REF	PART NO.	DESCRIPTION	COMMENTS
1	SP525933	Frequency Inverter	40, 55, 90, 120, 125, 400 and 520 models; 3x380-480V
	SP528325	Communication Cable	
	SP552380	Frequency Inverter	40, 55, 90, 120, 125, 400 and 520 models; 3x208-240V; FR-D720-318-E8
	SP528235	Frequency Inverter Fan	
2	SP100925	Brake Resistor	
3	SP273121009002	Cable Passage	9x2
4	SP337230802050	Ventilator	Through Serial No. 33F002379BZ, 40F002447BZ and 55F003562BZ
5	SPF07145600012	Fan Chanel	
6	SP273121015002	Cable Passage	15x2
7	SP309084100410	Bolt	M4x10
8	SP311679800004	Washer	4
9	SP311125100004	Washer	4.3
10	SPPRI407000091	Cable Sleeve	
11	SPF05116102514	Cable Clip	
12	SPPRI501000071	Cable Bushing	25x1.4
13	SPF07145200022	Complete Distribution Board	
14	SPPRI551000001	Earthing Index Plate	10
15	SP100452	Filter	90 and 125 models; 3x380-480V
	SP552417	Filter	90 and 125 models; 208-240V
16	SP524653	Fuse Clip	5x20mm
17	SP524655	Cover	
18	SP524648	Clamp Terminal	Electric heat; 16mm <sup>2</sup>
	SP524652	Connecting Bridge	Electric heat
19	SP346000209101	End Stop	
20	SP524650	Cover	Electric heat
21	SP345805163032	Fuse	1A; 6.3x32mm
	SP345805363032	Fuse	2.5A; 6.3x32mm
22	SP346000004010	Fuse Case	6.3x32mm
	SP346000014010	Cover	Code 346000004010
23	SPPRI401020021	Fuse	1.6A; 5x20mm
24	SP524654	Fuse Plug	
25	SP358126300000	Electrical Time Switch	90 and 125 models; Electric heat

# Box of Electrical Components - Micro Models (Drawing 1 of 2)



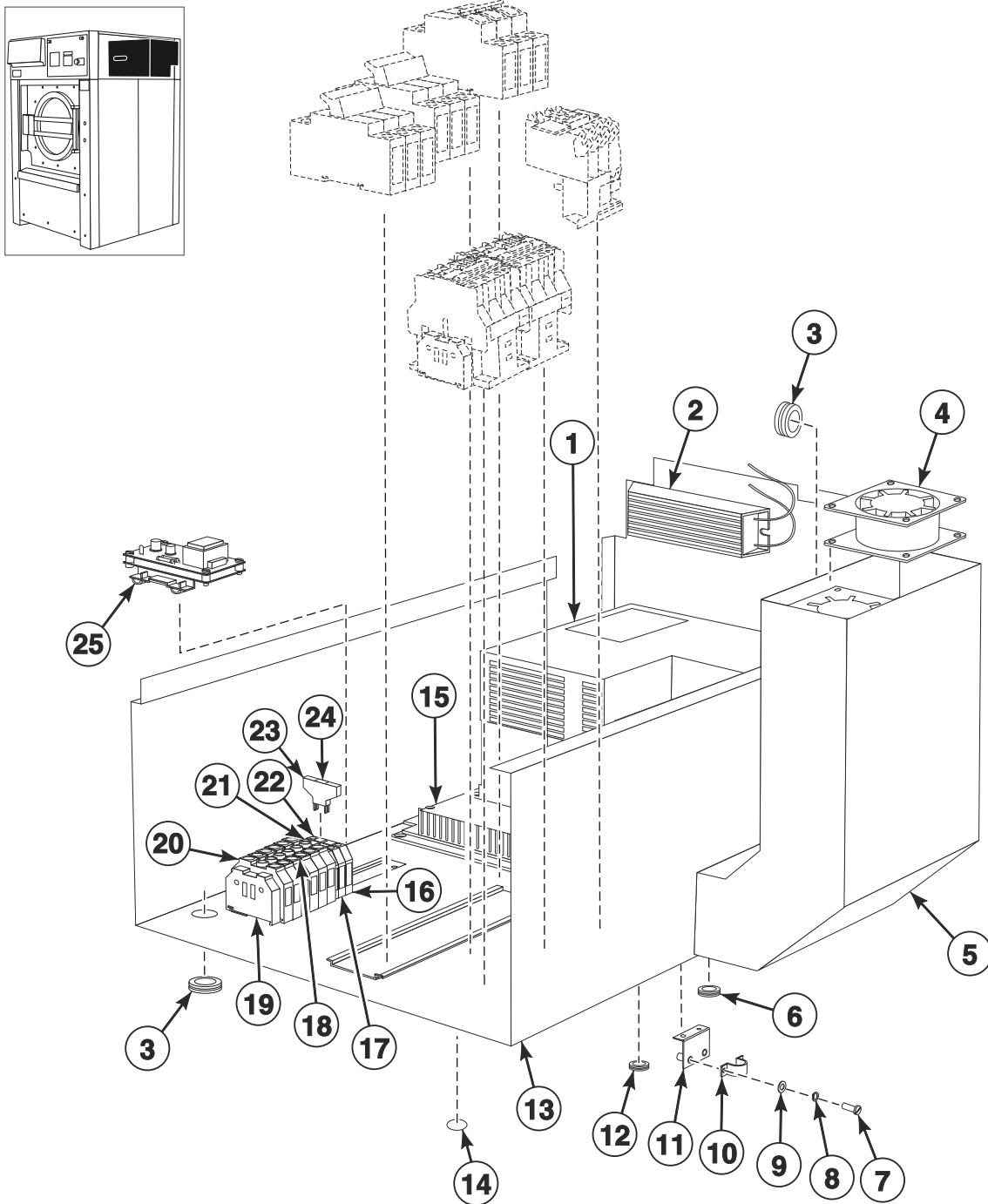
CFD2723P\_D1592



## Box of Electrical Components - Micro Models (Drawing 1 of 2)

REF	PART NO.	DESCRIPTION	COMMENTS
1	SP358251601312	Fuse Isolator	Electric heat
	SP358251503240	Fuse Insert	Electric heat; 32A
	SP358251503220	Fuse Insert	25A
2	SP358251601312	Fuse Isolator	Electric heat
	SP358251503160	Fuse Insert	Electric heat; 16A
	SP358251503240	Fuse Insert	Electric heat; 32A
	SP358251503220	Fuse Insert	Electric heat; 25A
	SP358503750020	Fuse	50A
	SP524785	Circuit Breaker	Electric heat; 50A
3	SP514042	Contactactor	LC1D18M7
	SP514038	Contactactor	LC1-D09M7
	SPPRI345002019	Contactactor	LC1D32M7
4	SP514042	Contactactor	LC1D18M7
	SP514038	Contactactor	LC1-D09M7
	SPPRI345002019	Contactactor	LC1D32M7
	SP514042	Contactactor	LC1D18M7
	SP514038	Contactactor	LC1-D09M7
5	SP346000209101	End Stop	

# Box of Electrical Components - Micro Models (Drawing 2 of 2)

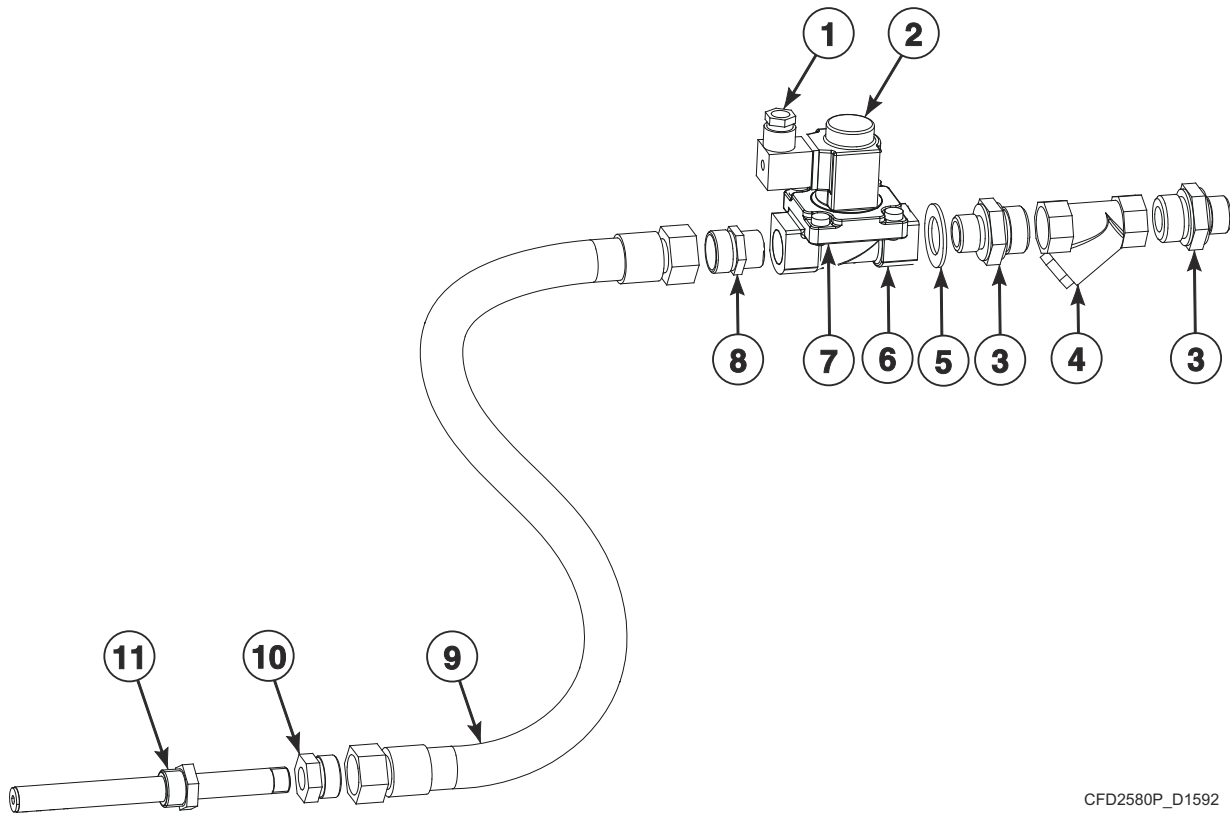


CFD2722P\_D1592

## Box of Electrical Components - Micro Models (Drawing 2 of 2)

REF	PART NO.	DESCRIPTION	COMMENTS
1	SP520079	Communication Cable	3x208-240V
	SP516734	Frequency Inverter	3x208-240V; SP516726 Communication Unit
2	SP516747	Brake Resistor	208-240V
	SP101786	Brake Resistor	380-480V
3	SP273121009002	Cable Passage	9x2
4	SP337230802050	Ventilator	Through Serial No. 33F002379BZ, 40F002447BZ and 55F003562BZ
5	SPF07145600012	Fan Chanel	
6	SP273121015002	Cable Passage	15x2
7	SP309084100410	Bolt	M4x10
8	SP311679800004	Washer	4
9	SP311125100004	Washer	4.3
10	SPPRI407000091	Cable Sleeve	
11	SPF05116102514	Cable Clip	
12	SPPRI501000071	Cable Bushing	25x1.4
13	SPF07145200022	Complete Distribution Board	
14	SPPRI551000001	Earthing Index Plate	10
15	SP100452	Filter	3x380-480V
	SP516756	Filter	208-240V
16	SP524653	Fuse Clip	5x20mm
17	SP524655	Cover	
18	SP524648	Clamp Terminal	Electric heat; 16mm <sup>2</sup>
	SP524652	Connecting Bridge	Electric heat
19	SP346000209101	End Stop	
20	SP524650	Cover	Electric heat
21	SP345805163032	Fuse	1A; 6.3x32mm
	SP345805363032	Fuse	2.5A; 6.3x32mm
22	SP346000004010	Fuse Case	6.3x32mm
	SP346000014010	Cover	
23	SPPRI401020021	Fuse	1.6A; 5x20mm
24	SP524654	Fuse Plug	
25	SP358126300000	Electrical Time Switch	Electric heat

# Steam Supply

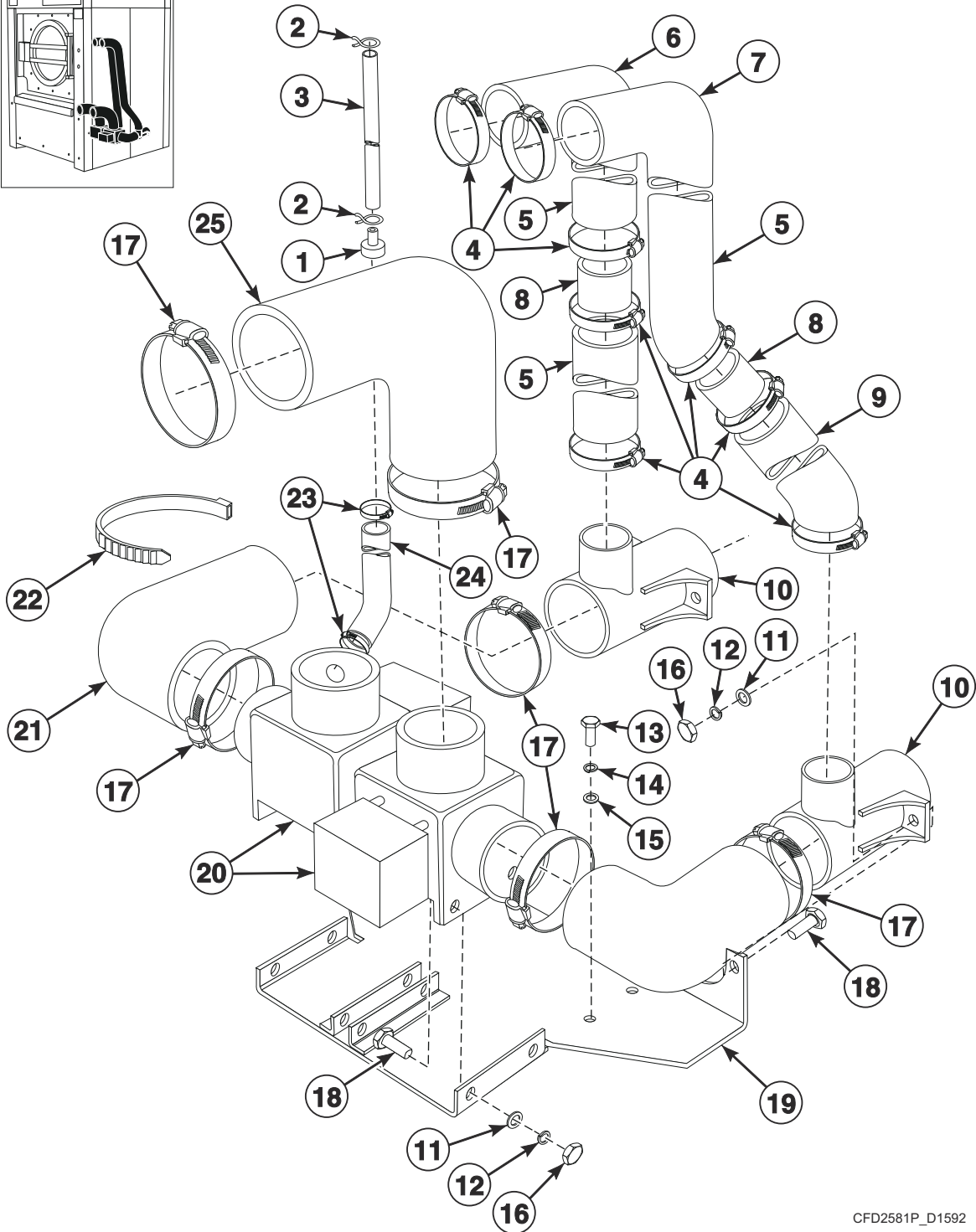
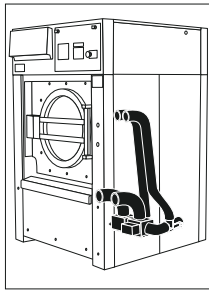


CFD2580P\_D1592

# Steam Supply

REF	PART NO.	DESCRIPTION	COMMENTS
	SP528960	Complete Steam Supply	
	SP528959	Complete Steam Supply	CSA
	SP273454800034	External Steam Hose	
1	SP554156	Connector	
2	SP554110	Coil	50/60Hz
3	SP235134601314	Reducing Insert	II
4	SP405054057008	Filter	
5	SP223111000814	Washer	
6	SP514162	Steam Valve	3/4 inch
7	SP514166	Steam Valve Body	Coil not included
8	SPF02116001814	Reduction	2
9	SP533032	Steam Hose	
10	SPF02116001714	Reduction	1
11	SPF02116100014	Steam Pipe	

# Drain System - 33, 75 and 335 Models

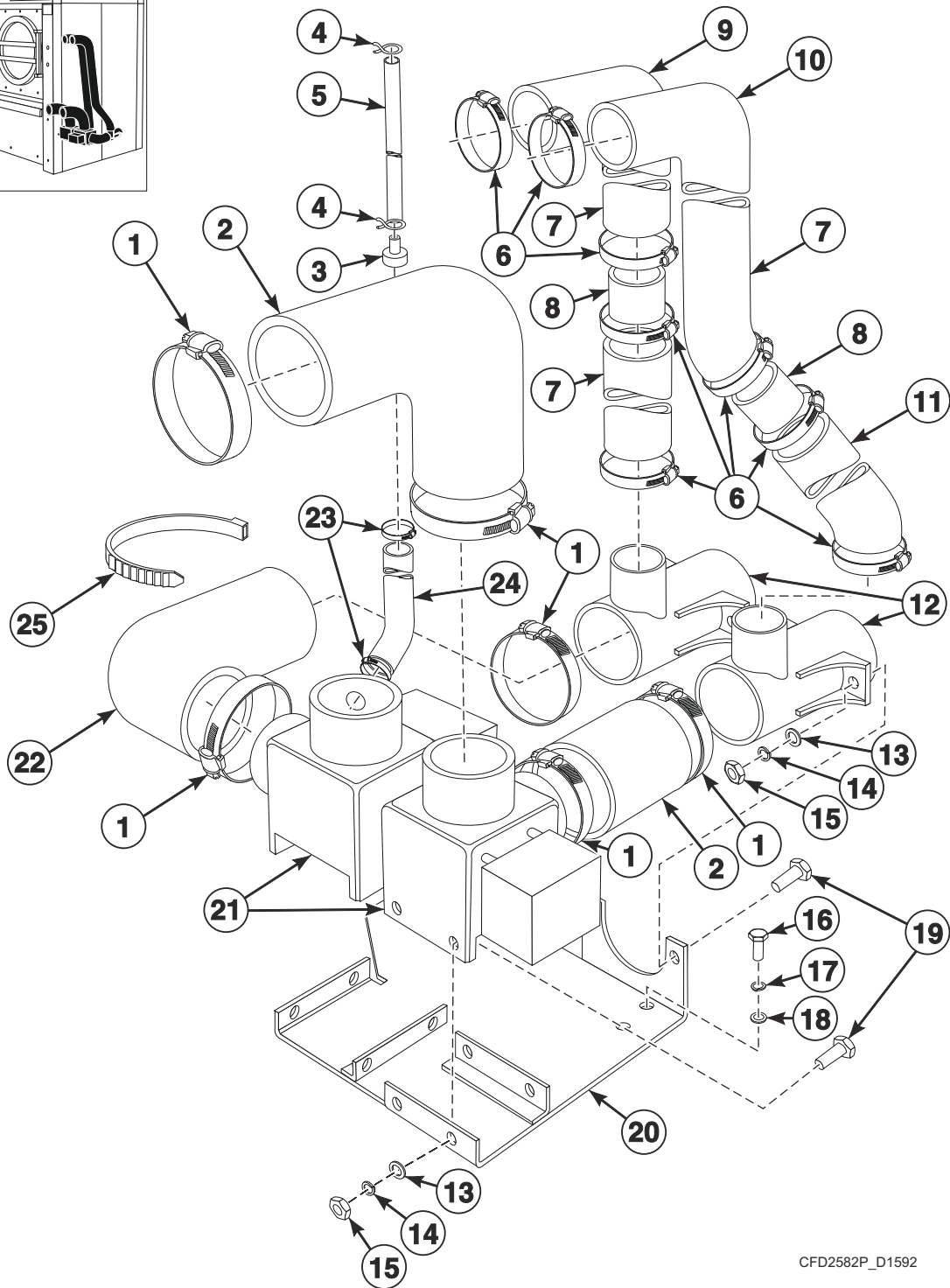
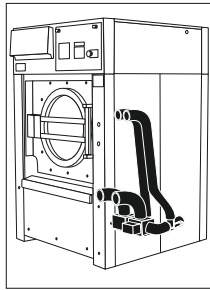


CFD2581P\_D1592

## Drain System - 33, 75 and 335 Models

REF	PART NO.	DESCRIPTION	COMMENTS
1	SPPRI503000027	Air Trap Reduction	
2	SPPRI241000017	Hose Clamp	
3	SPPRI540001003	Water Level Switch Hose	
4	SPPRI240000017	Hose Clamp	
5	SPPRI505000094	Overflow Hose	
6	SPF02108100014	Direct Hose	
7	SPF04108200014	Complete Shaped Hose	
8	SPF02104101715	Pipe	d40
9	SPPRI505000090	Shaped Hose	
10	SPPRI505000078	T-Part	
11	SP311125000008	Washer	8.4
12	SP311127000008	Washer	8
13	SP309933000616	Bolt	M6x16
14	SP311127000006	Washer	6
15	SP311125000006	Washer	6.4
16	SP310934000008	Nut	M8
17	SPPRI240000007	Hose Clamp	
18	SP309933000820	Bolt	M8x20
19	SPF04101300013	Complete Drain Board	
20	SPPRI340055051	Drain Valve	Includes 567183 Drain Valve Chamber (Black) and SPPRI340002051 Drain Valve Motor
	SPPRI340072051	Recycle Drain Valve	On request; Includes 567183 Drain Valve Chamber (Black) and SPPRI340002051 Drain Valve Motor
	567183	Drain Valve Chamber	Black
	SPPRI340002051	Drain Valve Motor	Includes gearbox
21	SP273238425503	Elbow	90 degrees
22	SP345000160971	Binding Strip	
23	SPPRI240000003	Hose Clamp	
24	SP223101400414	Elbow	
25	SP235100018724	Drain Elbow	CSA
	SP519463	Drain Elbow	

# Drain System - 40, 55, 90, 120, 125, 400, 520 and 550 Models



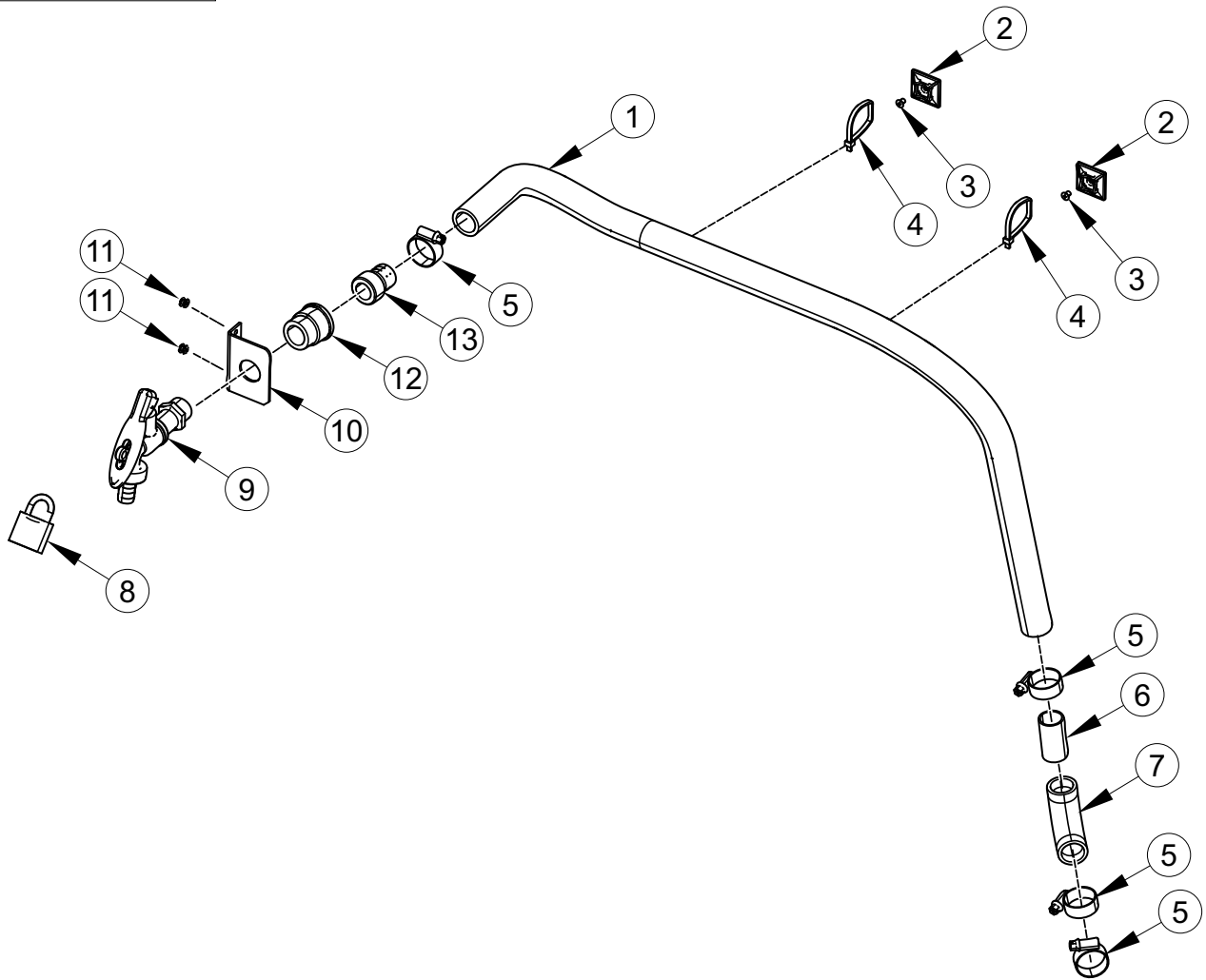
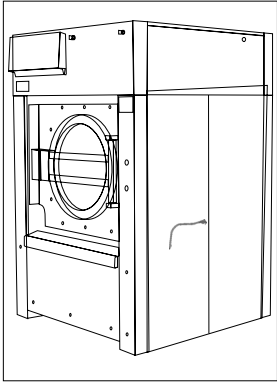
CFD2582P\_D1592



## Drain System - 40, 55, 90, 120, 125, 400, 520 and 550 Models

REF	PART NO.	DESCRIPTION	COMMENTS
1	SPPRI240000007	Hose Clamp	
2	SP235100018724	Drain Elbow	CSA
	SP519463	Drain Elbow	
3	SPPRI503000027	Air Trap Reduction	
4	SPPRI241000017	Hose Clamp	
5	SPPRI540001003	Water Level Switch Hose	
6	SPPRI240000017	Hose Clamp	
7	SPPRI505000094	Overflow Hose	
8	SPF02104101715	Pipe	d40
9	SPF02108100014	Direct Hose	
10	SPF02108200014	Complete Shaped Hose	
11	SPPRI505000090	Shaped Hose	
12	SPPRI505000078	T-Part	
13	SP311125000008	Washer	8.4
14	SP311127000008	Washer	8
15	SP310934000008	Nut	M8
16	SP309933000616	Bolt	M6x16
17	SP311127000006	Washer	6
18	SP311125000006	Washer	6.4
19	SP309933000820	Bolt	M8x20
20	SPF02101300013	Complete Drain Board	
21	SPPRI340055051	Drain Valve	Includes 567183 Drain Valve Chamber (Black) and SPPRI340002051 Drain Valve Motor
	SPPRI340072051	Recycle Drain Valve	On request; Includes 567183 Drain Valve Chamber (Black) and SPPRI340002051 Drain Valve Motor
	567183	Drain Valve Chamber	Black
	SPPRI340002051	Drain Valve Motor	Includes gearbox
22	SP273238425503	Elbow	90 degrees
23	SPPRI240000003	Hose Clamp	
24	SP223101400414	Elbow	
25	SP345000160971	Binding Strip	

# Wash Bath Sample

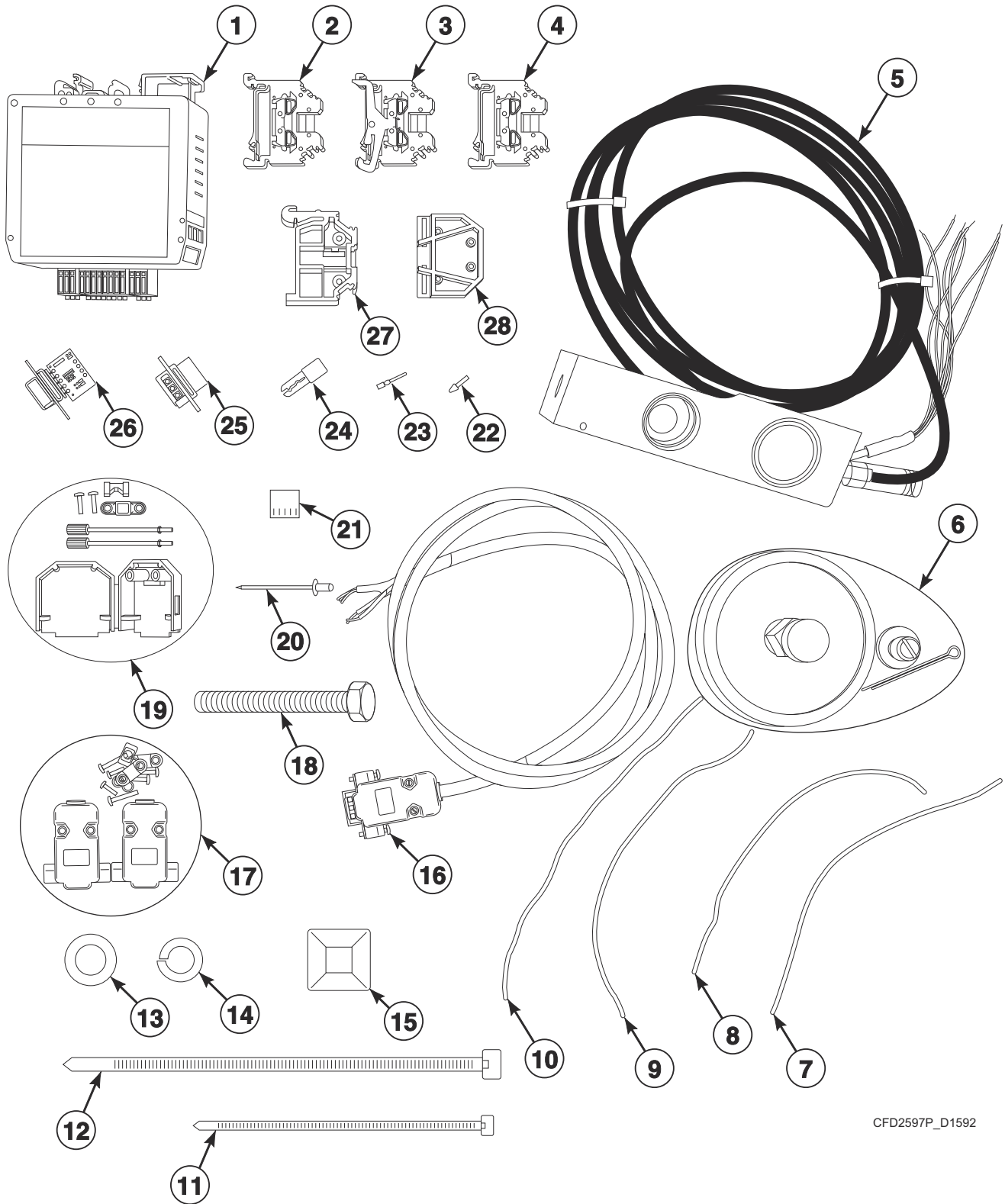


C-CZW12P\_D1592

## Wash Bath Sample

REF	PART NO.	DESCRIPTION	COMMENTS
	570029	Wash Bath Sample Complete	
	70381902P	Adhesive	Loctite 577
1	SPPRI503002049	Hose	20x3.5mm
2	SPPRI350003050	Adhesive Fixing Index Plate	
3	SP309965240408	Bolt	M4x8
4	SP345000160971	Binding Strip	140x3.6mm
5	SPPRI240000003	Hose Clamp	
6	223110400114	Connection Part	
7	525017	Elbow	55x55mm
8	SP523167	Padlock	
9	SP523728	Valve	
10	525018	Valve Holder	
11	SP313250004063	Rivet	4.2x6.3
12	SP523729	Pipe Coupling	
13	SP235134107315	Pipe Coupling	

# Weighing System

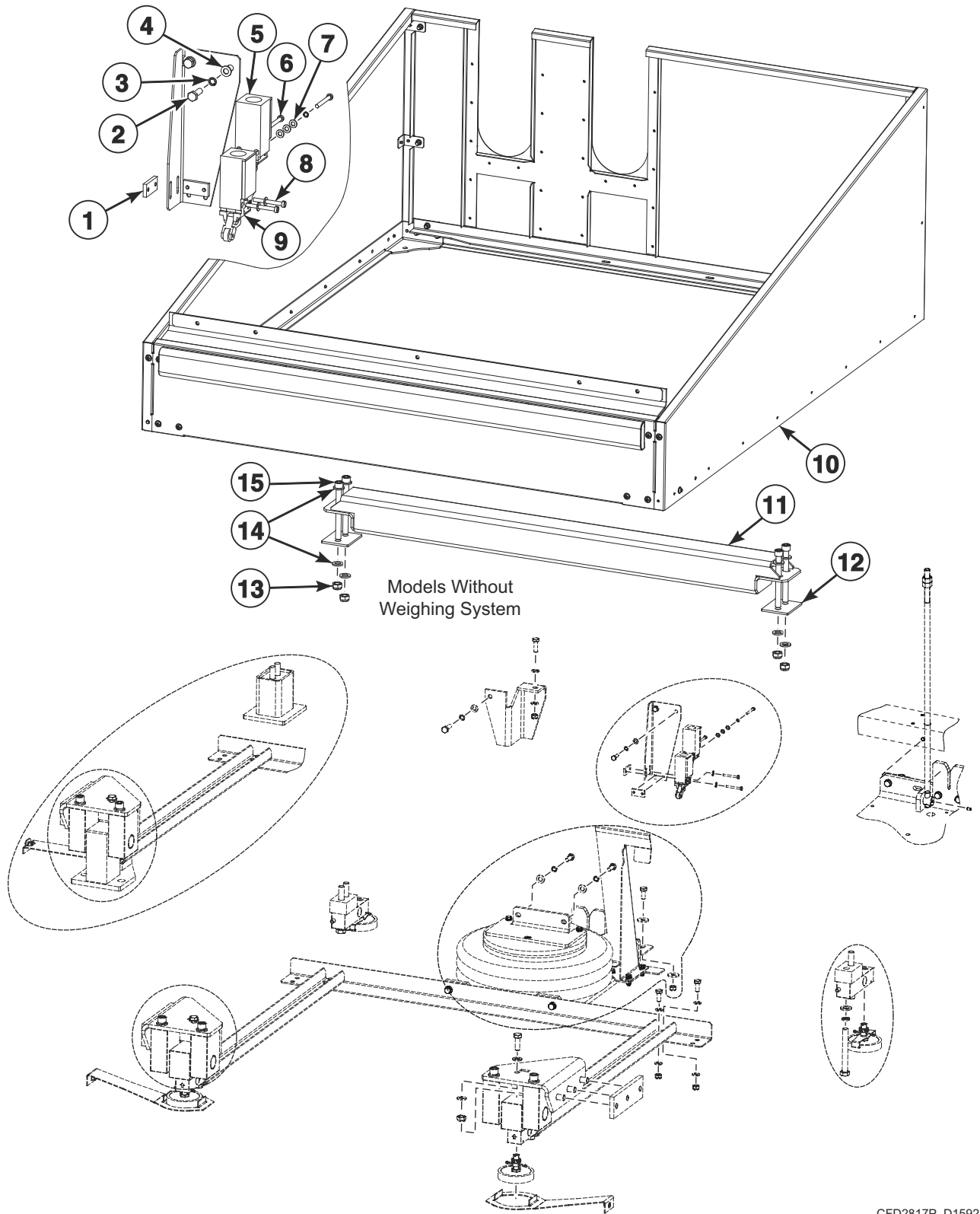


CFD2597P\_D1592

# Weighing System

REF	PART NO.	DESCRIPTION	COMMENTS
	SP514100	Screw	ST4.2x13
	SP310985000012	Nut	M12
	SP346000210113	Rail	
	SP528024	Schematic Diagram	
	SP553940	Weighing System Kit	40, 55, 90, 120, 125, 400, 520 and 550 models; With tilting system
	548130	Weighing System Kit	Without tilting system
1	SP516968	Amplifier	
2	SP346000280107	Clamp	280-107; Green-yellow
3	SP346000280104	Clamp	280-104; Blue
4	SP346000280101	Clamp	280-101; Gray
5	SP529101	Load Sensor	
6	SP516956	Adjustable Foot	
7	SP505444	Conductor	0.35 mm <sup>2</sup> ; Green; l=0.2m
8	SP341413007001	Conductor	0.35 mm <sup>2</sup> ; Red; l=1m
9	SP341413007002	Conductor	0.35 mm <sup>2</sup> ; Orange; l=0.2m
10	SP505446	Conductor	0.35 mm <sup>2</sup> ; Blue; l=1m
11	SP345000160971	Binding Strip	140x3.6
12	SP503817	Binding Strip	178x4.8
13	SP311125000013	Washer	13
14	SP311127000012	Washer	12
15	SPPRI350003050	Adhesive Fixing Index Plate	
16	SP341414000205	Shield Cable	Without connector; 2x0.5; Codes 520082 and 347100306009
17	SP347100306009	Connector Box	Code 520082
18	SP309933001270	Bolt	M12x70; Used on the front load cells
	SP309933001299	Bolt	M12x100; Used on the rear load cells
19	SP516997	Converter Box	Code 516964
20	SP313250004063	Rivet	4x6.3
21	SP516090	Connector	5 poles
22	SPPRI350002018	Contact	
23	SP345001662931	Contact Pin	
24	SP346000280402	Interconnection	280-402
25	SP520082	Connector	9 poles
26	SP516964	Converter	
27	SP346000209101	End Stop	
28	SP346000280301	Cover	

# Tilting System - 40, 55, 90, 120, 125, 400, 520 and 550 Models; All except BTS (Drawing 1 of 3)

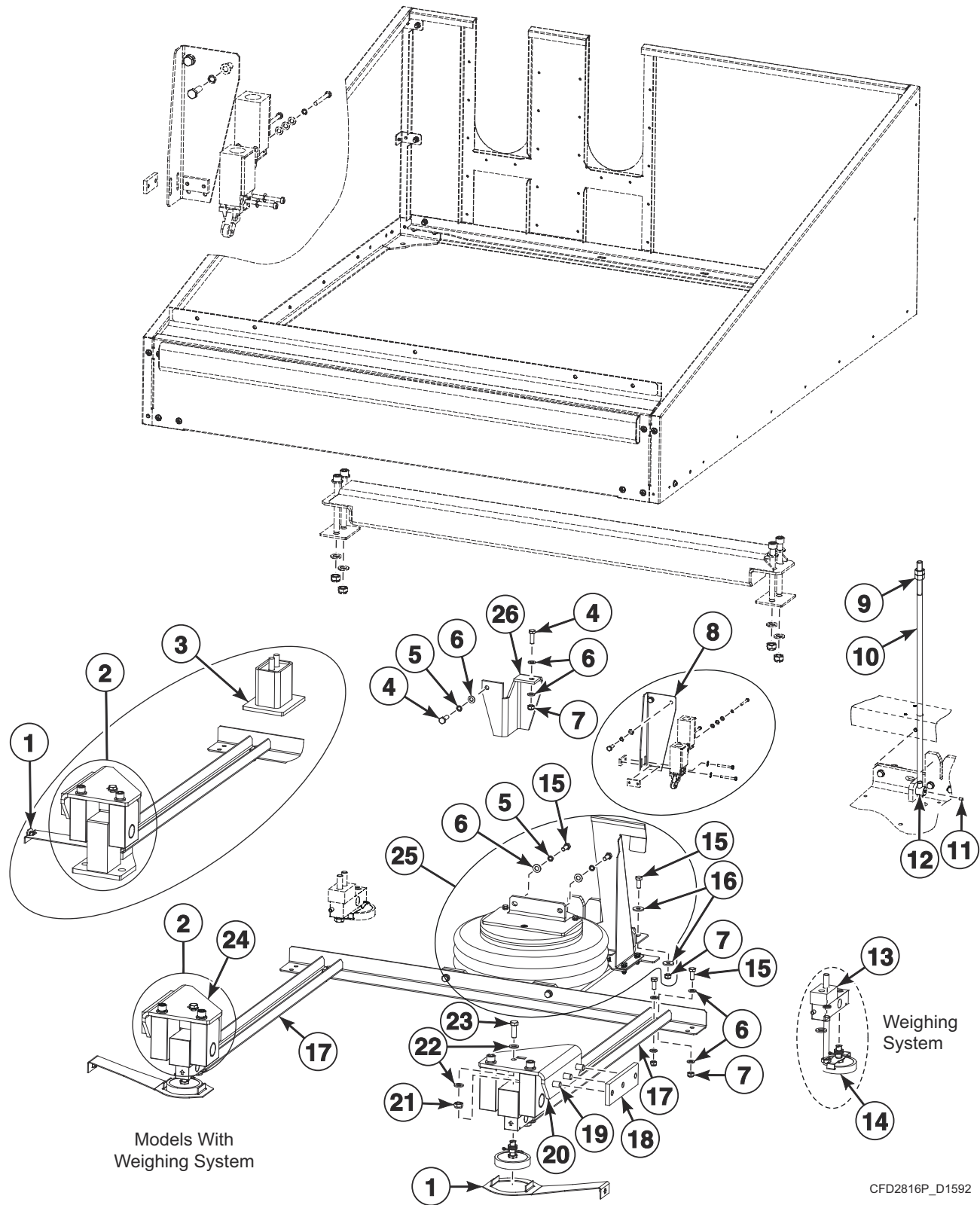


## Tilting System - 40, 55, 90, 120, 125, 400, 520 and 550 Models; All except BTS (Drawing 1 of 3)

REF	PART NO.	DESCRIPTION	COMMENTS
1	SP529323	T-Square	
2	SP309933000616	Bolt	M16x16
3	SP311127000006	Washer	6
4	SP311125000006	Washer	6.4
5	SP506572	Position Switch	
6	SP553937	Bolt	M4x35
7	SP311127000004	Washer	M4
8	SP311125000004	Washer	M4
9	SPPRI345000070	Position Switch	
10	N/A	Complete Tilting Cabinet	40, 90 and 400 models
	N/A	Complete Tilting Cabinet	55, 120, 125, 520 and 550 models
11	SP552170	Upper Support Weldment	
12	SP552078	Washer	
13	SP310985000012	Nut	M12
14	SP311125000013	Washer	13
15	SP514661	Bolt	M12x120

N/A = Part no longer available

# Tilting System - 40, 55, 90, 120, 125, 400, 520 and 550 Models; All except BTS (Drawing 2 of 3)

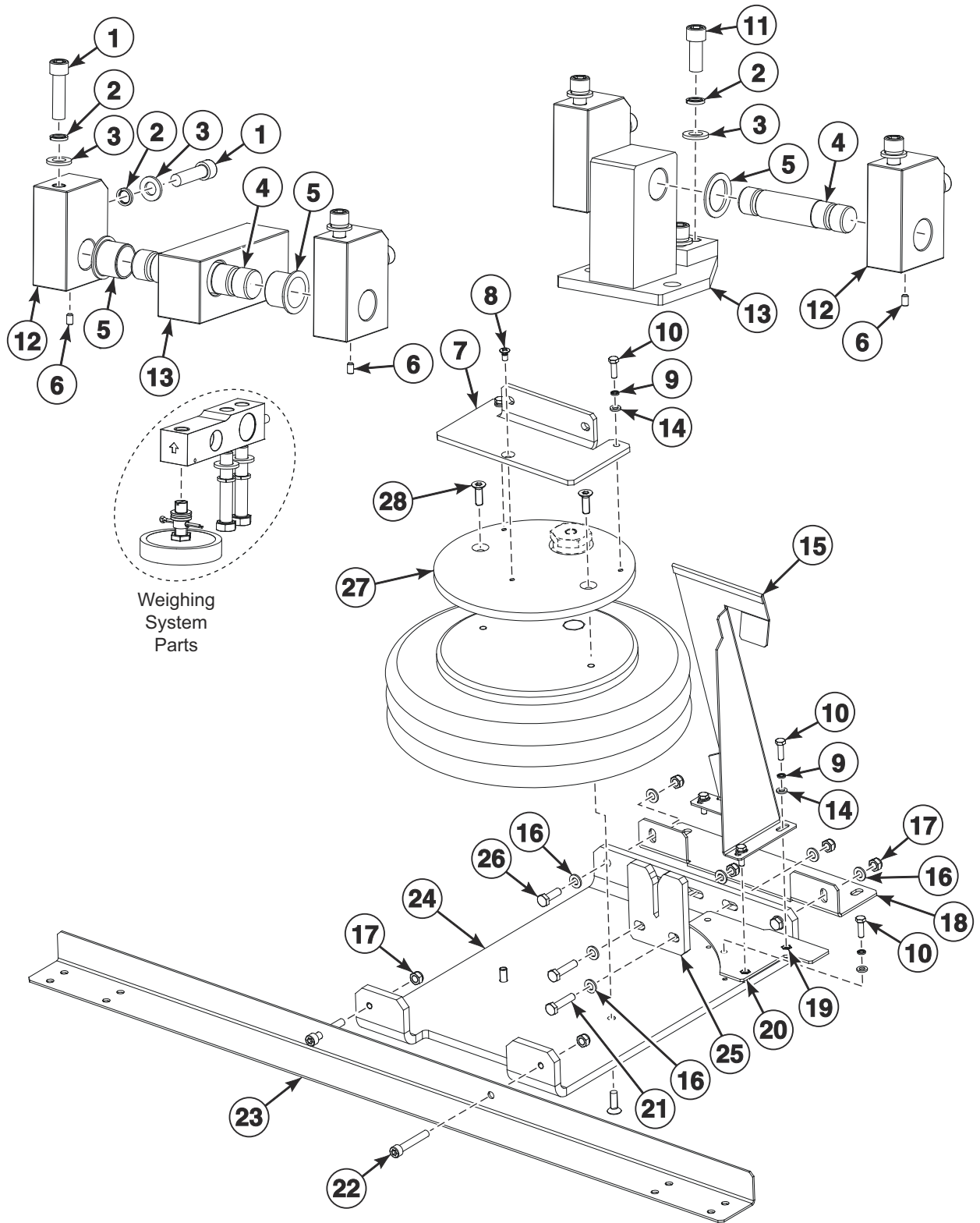




## Tilting System - 40, 55, 90, 120, 125, 400, 520 and 550 Models; All except BTS (Drawing 2 of 3)

REF	PART NO.	DESCRIPTION	COMMENTS
	SP555303	Complete Tilting System	40, 90 and 400 models
	SP555304	Complete Tilting System	55, 120, 125, 520 and 550 models
	SP555301	Complete Tilting and Weighing System	40, 90 and 400 models
	SP555302	Complete Tilting and Weighing System	55, 120, 125, 520 and 550 models
	SP552430	Control Hanging Kit	208-240V
	SP552429	Control Hanging Kit	380-480V
<b>1</b>	SP552094	Complete Cabinet Holder	With weighing system
	SP552095	Complete Cabinet Holder	
<b>2</b>	SP547291	Hinge	With weighing system
	SP552167	Hinge	
<b>3</b>	SP552149	Rear Leg Weldment	For execution without weighing system
	SP100099	Bolt	M5x8
	SP311127000012	Washer	12
	SP311125000013	Washer	13
<b>4</b>	SP309933000825	Bolt	M8x25
<b>5</b>	SP311127000008	Washer	8
<b>6</b>	SP311125000008	Washer	8.4
<b>7</b>	SP310985000008	Nut	M8
<b>8</b>	SP552122	Switch Bracket	
<b>9</b>	SP310934000012	Nut	M12
<b>10</b>	SP552132	Draw Bar	
<b>11</b>	SP525168	Bolt	
<b>12</b>	SP552131	Draw Bar Pin	
<b>13</b>	SP547227	Washer	With weighing system
<b>14</b>	SP552123	Clamp	With weighing system
<b>15</b>	SP309933000820	Bolt	M8x20
<b>16</b>	SP311902100008	Washer	8
<b>17</b>	SP552139	Draw Bar	40, 90 and 400 models
	SP547232	Draw Bar	55, 120, 125, 520 and 550 models
<b>18</b>	SP552169	Washer	
<b>19</b>	SP547298	Plate Weldment	Right
<b>20</b>	SP311127000012	Washer	12
	SP309933001230	Bolt	M12x30
	SP311125000013	Washer	13
<b>21</b>	SP310985000010	Nut	M10
<b>22</b>	SP311125000010	Washer	10.5
<b>23</b>	SP309933001030	Bolt	M10x30
<b>24</b>	SP547299	Plate Weldment	Left
<b>25</b>	SP547293	Complete Air Spring	
<b>26</b>	SP547234	Guiding Plate	

# Tilting System - 40, 55, 90, 120, 125, 400, 520 and 550 Models; All except BTS (Drawing 3 of 3)

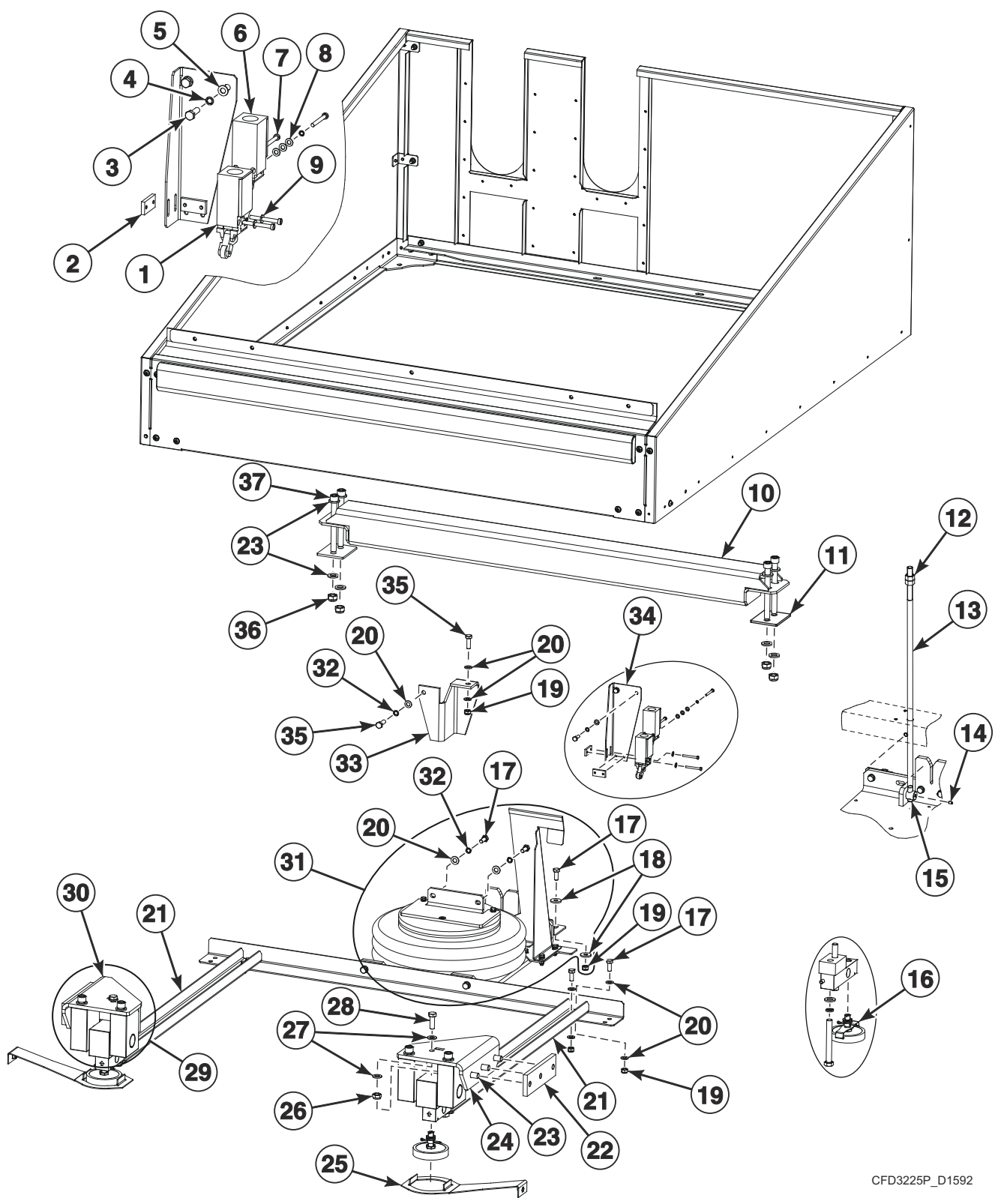


CFD2585P\_D1592

## Tilting System - 40, 55, 90, 120, 125, 400, 520 and 550 Models; All except BTS (Drawing 3 of 3)

REF	PART NO.	DESCRIPTION	COMMENTS
	SP529394	Drum Block	
1	SP514714	Bolt	M12x45
2	SP311127000012	Washer	12
3	SP311125000013	Washer	13
4	SP552748	Tilting System Pin	
5	SP552721	Sleeve	
6	SP309913000610	Bolt	M6x10
7	SP552164	Air Spring Support	
8	SP309966240610	Screw	M6x12
9	SP311127240006	Washer	6
10	SP309933000618	Bolt	M6x18
11	SP309912101230	Bolt	M12x30
12	SP552717	Upper Hinge	
13	SP552718	Lower Hinge	With weighing system
	SP552145	Front Leg Weldment	
14	SP311125240006	Washer	6.4
15	SP552120	Upper Switch Guide	
16	SP311125000008	Washer	8.4
17	SP310985000008	Nut	M8
18	SP547225	Cabinet Holder	
19	SP313251000006	Nut	M6
20	SP552121	Bracket Switch Plate	
21	SP309933000835	Bolt	M8x35
22	SP516683	Bolt	M8x50
23	SP547229	Draw Bar Partition	
24	SP547296	Air Spring Plate	
25	SP552725	Stop	Lower
26	SP309933000825	Bolt	M8x25
27	564264	Washer	
28	SP551432	Bolt	M8x25

# Tilting System - 40, 55, 90, 125, 400, 520 and 550 FS and P Models; BTS (Drawing 1 of 2)

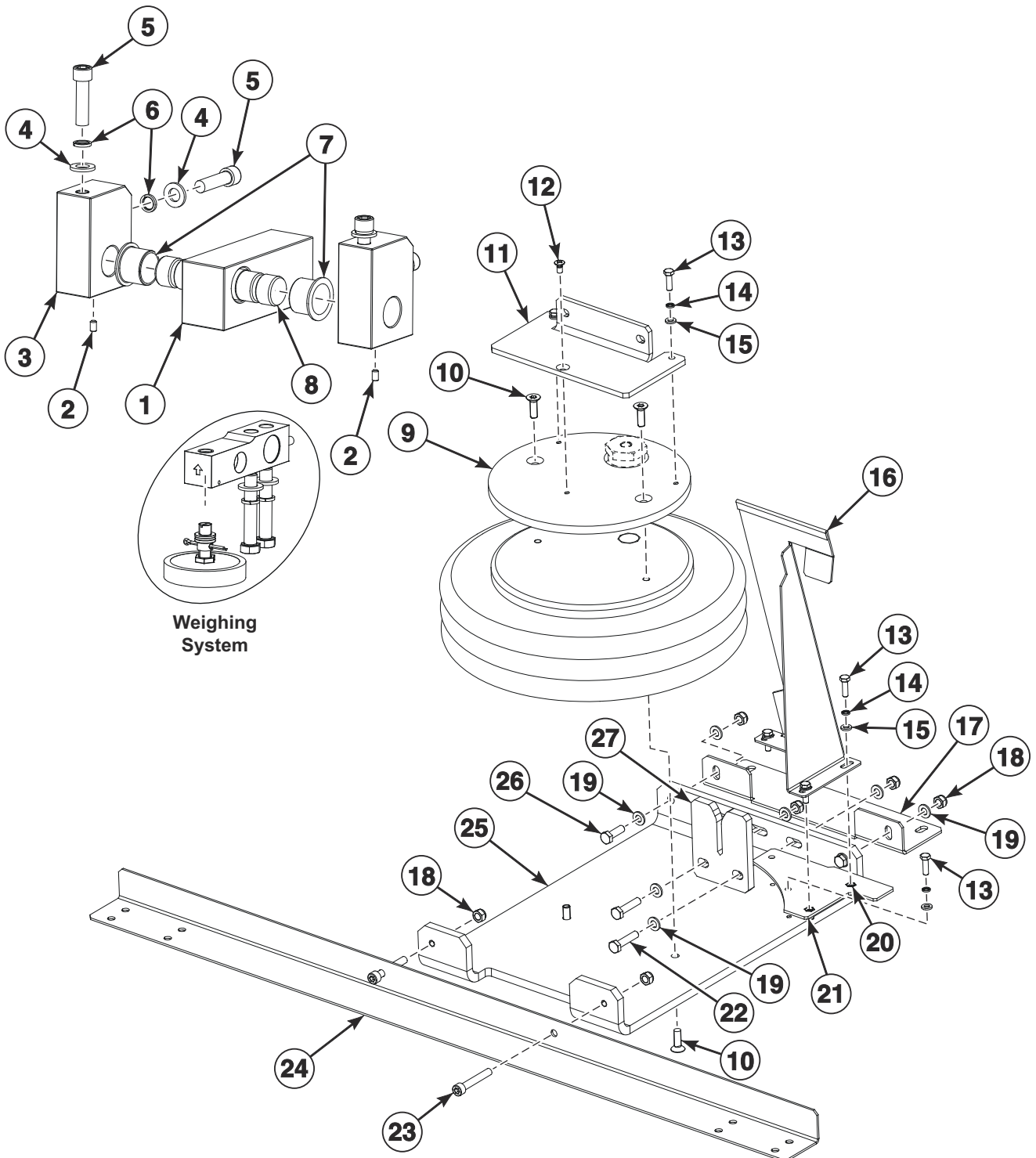


CFD3225P\_D1592

# Tilting System - 40, 55, 90, 125, 400, 520 and 550 FS and P Models; BTS (Drawing 1 of 2)

REF	PART NO.	DESCRIPTION	COMMENTS
	SP555301	Complete Tilting and Weighing System	40, 90, and 400 models
	SP555302	Complete Tilting and Weighing System	55, 125, 520 and 550 models
	SP557890	Hanging Control Kit	208-240V
	SP557889	Hanging Control Kit	380-480V
1	SPPRI345000070	Position Switch	
2	SP529323	T-Square	
3	SP309933000616	Bolt	M16x16
4	SP311127000006	Washer	6
5	SP311125000006	Washer	6.4
6	SP506572	Position Switch	
7	SP553937	Bolt	M4x35
8	SP311127000004	Washer	M4
9	SP311125000004	Washer	M4
10	SP552175	Upper Support Weldment	
11	SP552078	Washer	
12	SP310934000012	Nut	
13	SP552198	Draw Bar Block	
14	SP525168	Bolt	
15	SP552131	Draw Bar Pin	
16	SP552123	Clamp	With weighing system
17	SP309933000820	Bolt	M8x20
18	SP311902100008	Washer	8
19	SP310985000008	Nut	M8
20	SP311125000008	Washer	8.4
21	SP552139	Draw Bar	40, 90, and 400 models
	SP547232	Draw Bar	55, 125, 520 and 550 models
22	SP552168	Washer	
23	SP311127000012	Washer	12
	SP309933001230	Bolt	M12x30
	SP311125000013	Washer	13
24	SP552182	Weldment Hinge Console	Right
25	SP552074	Cabinet Holder	With weighing system
26	SP310985000010	Nut	M10
27	SP311125000010	Washer	10.5
28	SP309933001030	Bolt	M10x30
29	SP547291	Hinge	With weighing system
30	SP552183	Weldment Hinge Console	Left
31	SP547293	Complete Air Spring	
32	SP311127000008	Washer	8
33	SP552185	Guiding Plate	
34	SP552188	Switch Bracket	
35	SP309933000825	Bolt	M8x25
36	SP310985000012	Nut	
37	SP514661	Bolt	M12x120

# Tilting System - 40, 55, 90, 125, 400, 520 and 550 FS and P Models; BTS (Drawing 2 of 2)

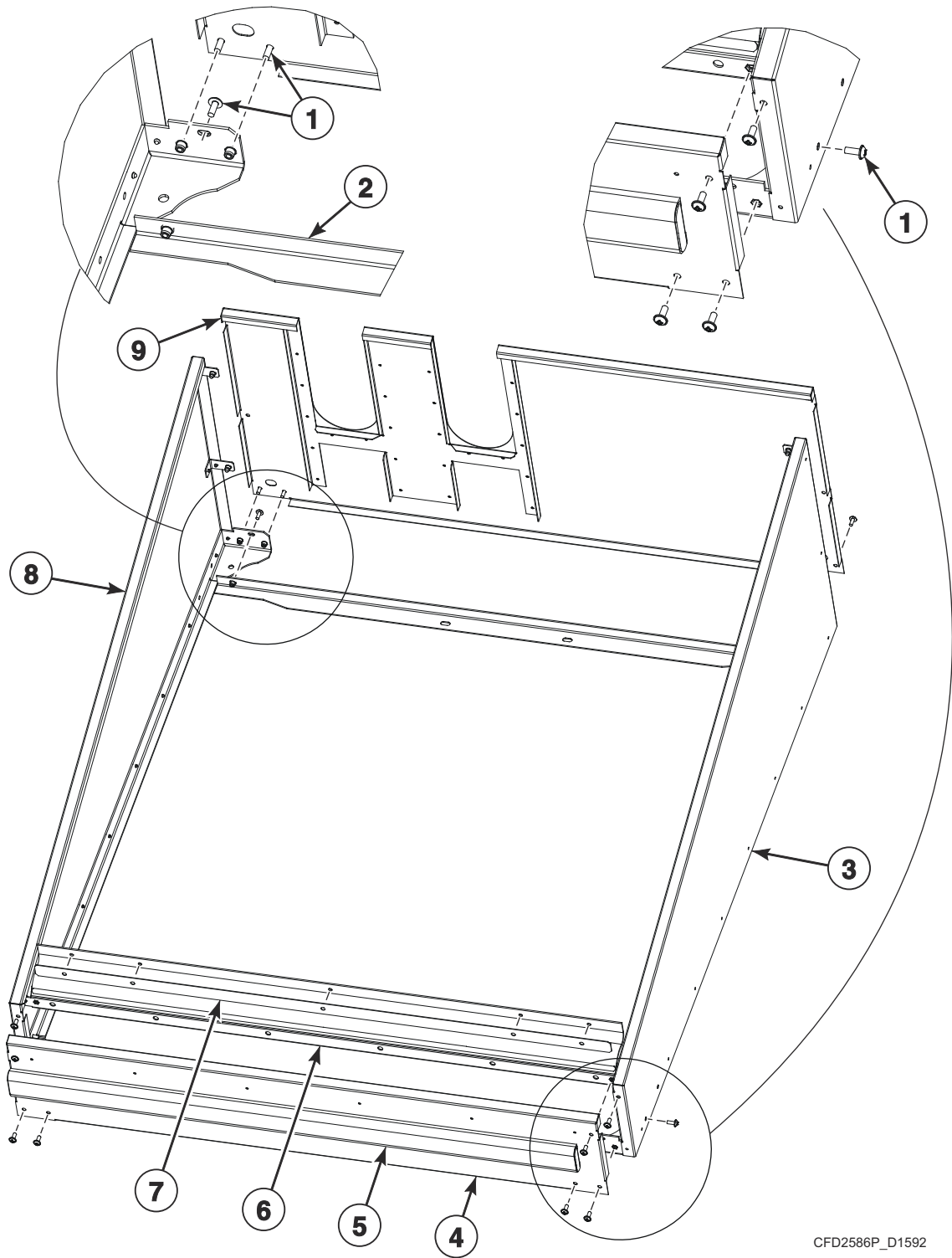


CFD3224P\_D1592

## Tilting System - 40, 55, 90, 125, 400, 520 and 550 FS and P Models; BTS (Drawing 2 of 2)

REF	PART NO.	DESCRIPTION	COMMENTS
	SP529394	Drum Block	With tilting system
1	SP552718	Lower Hinge	With tilting system
2	SP309913000610	Bolt	M6x10
3	SP552717	Upper Hinge	
4	SP311125000013	Washer	13
5	SP514714	Bolt	M12x45
6	SP311127000012	Washer	12
7	SP552721	Sleeve	
8	SP552748	Tilting System Pin	
9	564264	Washer	
10	SP551432	Bolt	M8x25
11	SP552164	Air Spring Support	
12	SP309966240610	Screw	M6x12
13	SP309933000618	Bolt	M6x18
14	SP311127240006	Washer	6
15	SP311125240006	Washer	6.4
16	SP552120	Upper Switch Guide	
17	SP547225	Cabinet Holder	
18	SP310985000008	Nut	M8
19	SP311125000008	Washer	8.4
20	SP313251000006	Nut	M6
21	SP552121	Bracket Switch Plate	
22	SP309933000835	Bolt	M8x35
23	SP516683	Bolt	M8x50
24	SP547229	Draw Bar Partition	
25	SP547296	Air Spring Plate	
26	SP309933000825	Bolt	M8x25
27	SP552725	Stop	Lower

# Tilting Cabinet - 40, 55, 90, 120, 125, 400, 520 and 550 Models; All Except BTS Models



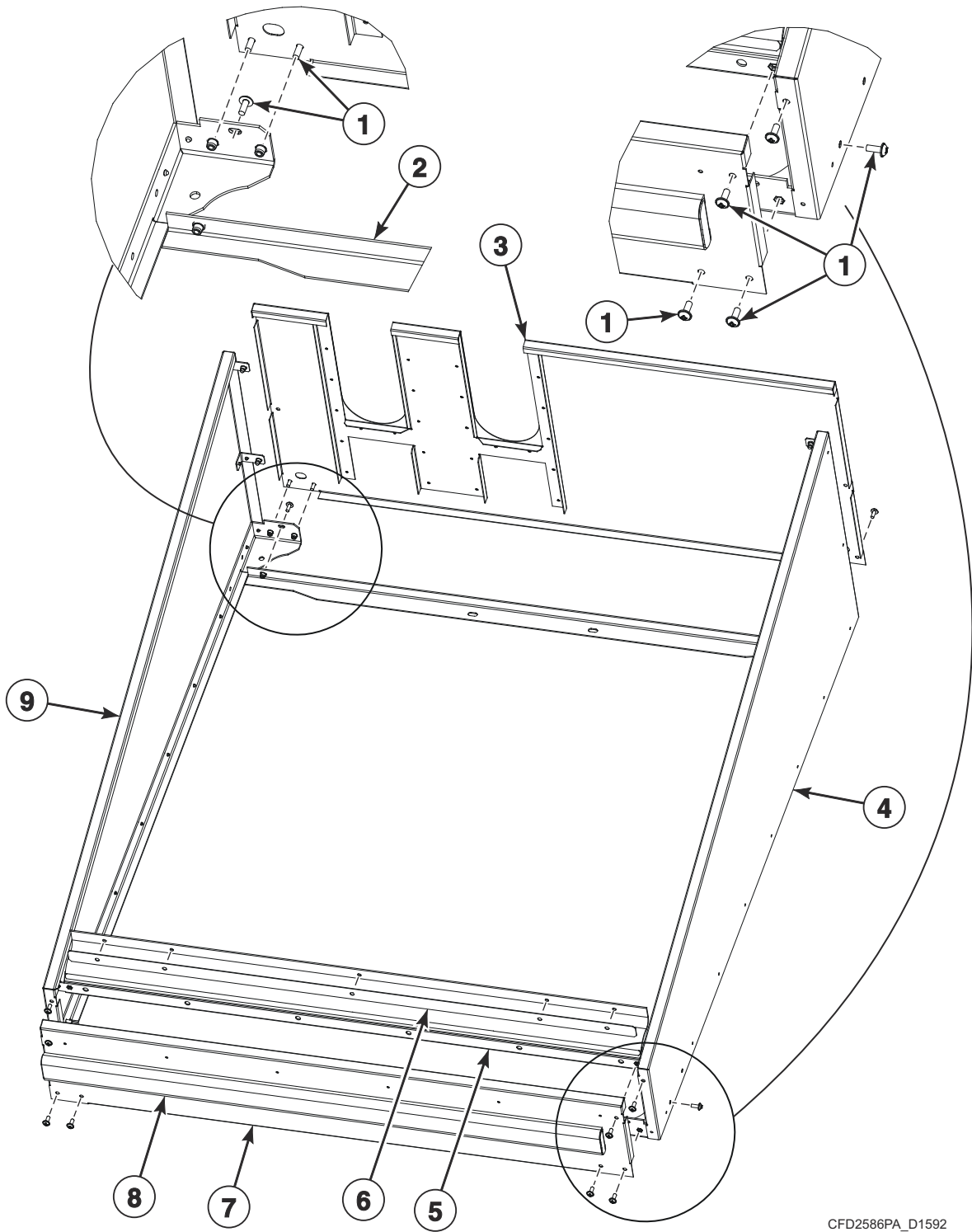
CFD2586P\_D1592



## Tilting Cabinet - 40, 55, 90, 120, 125, 400, 520 and 550 Models; All Except BTS Models

REF	PART NO.	DESCRIPTION	COMMENTS
	SP547282	Complete Tilting System Cabinet	40, 90, and 400 models
	SP547283	Complete Tilting System Cabinet	55, 120, 125, 520 and 550 models
1	SP537854	Bolt	M6x14
2	SP552089	Complete Rear Bar	
3	SP552102	Complete Right Cover	40, 90, and 400 models
	SP552116	Complete Right Cover	55, 120, 125, 520 and 550 models
4	SP552107	Front Cover	
5	SP552165	Bumper	
6	SP547286	Complete Front Reinforcement	
7	SP530767	Lath	
8	SP552101	Complete Left Cover	40, 90, and 400 models
	SP552115	Complete Left Cover	55, 120, 125, 520 and 550 models
9	SP552085	Complete Rear Cover	40, 90, and 400 models
	SP552086	Complete Rear Cover	55, 120, 125, 520 and 550 models

# Tilting Cabinet - 40, 55, 90, 125, 400, 520 and 550 FS and P Models; BTS

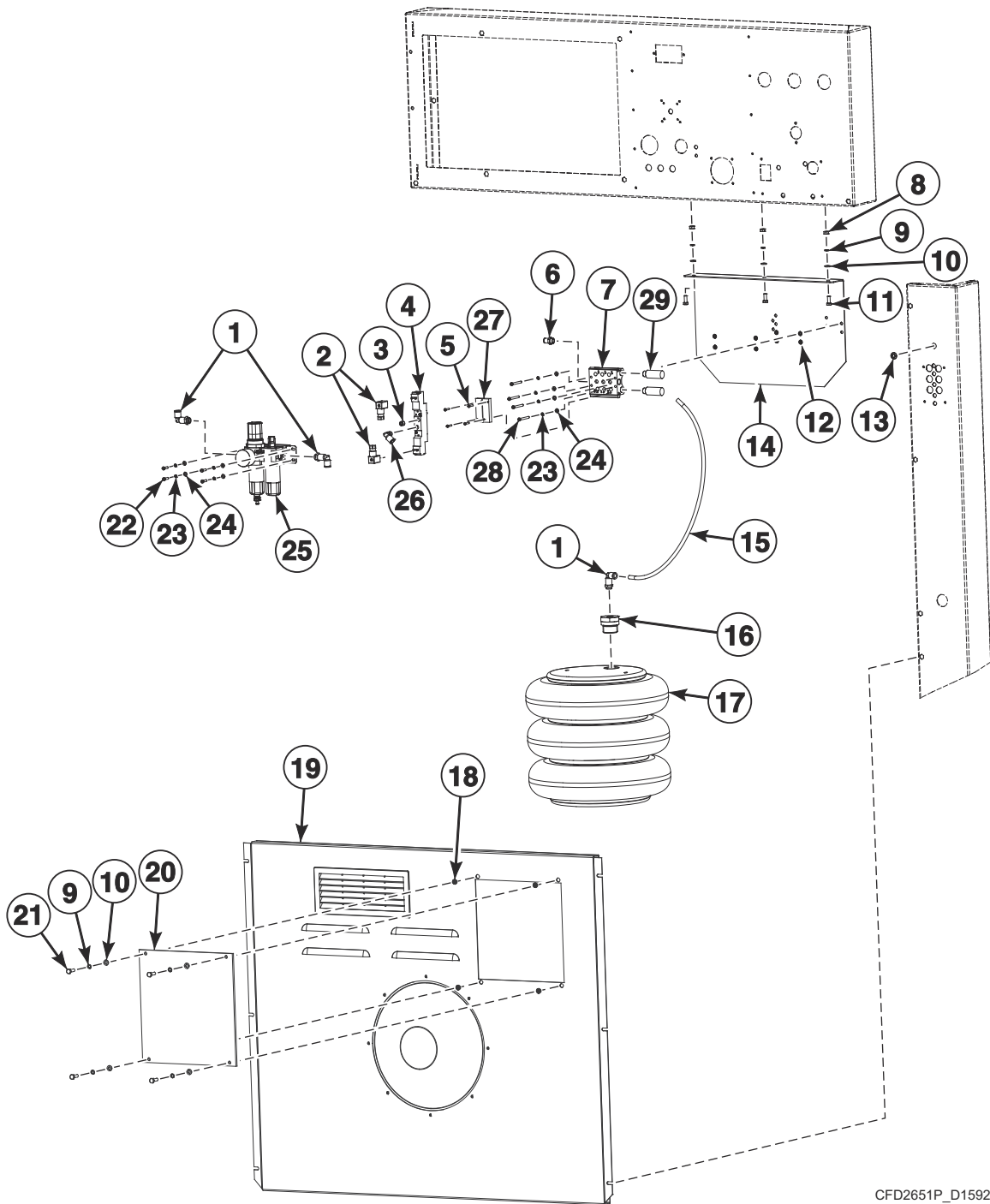


CFD2586PA\_D1592

# Tilting Cabinet - 40, 55, 90, 125, 400, 520 and 550 FS and P Models; BTS

REF	PART NO.	DESCRIPTION	COMMENTS
	SP552199	Tilting System Cabinet	40, 90, and 400 models
	SP552200	Tilting System Cabinet	55, 125, 520 and 550 models
1	SP537854	Bolt	M6x14
2	SP552089	Complete Rear Bar	
3	SP552087	Rear Cover	40, 90, and 400 models
	SP552088	Rear Cover	55, 125, 520 and 550 models
4	SP552196	Cover	Right; 40, 90, and 400 models
	SP552071	Cover	Right; 55, 125, 520 and 550 models
5	SP552090	Front Reinforcement	
6	SP530767	Lath	
7	SP552191	Front Cover	
8	SP552165	Bumper	
9	SP552195	Cover	Left; 40, 90, and 400 models
	SP552070	Cover	Left; 55, 125, 520 and 550 models

# Tilting System Pneumatic Components - 40, 55, 90, 120, 125, 400, 520 and 550 Models

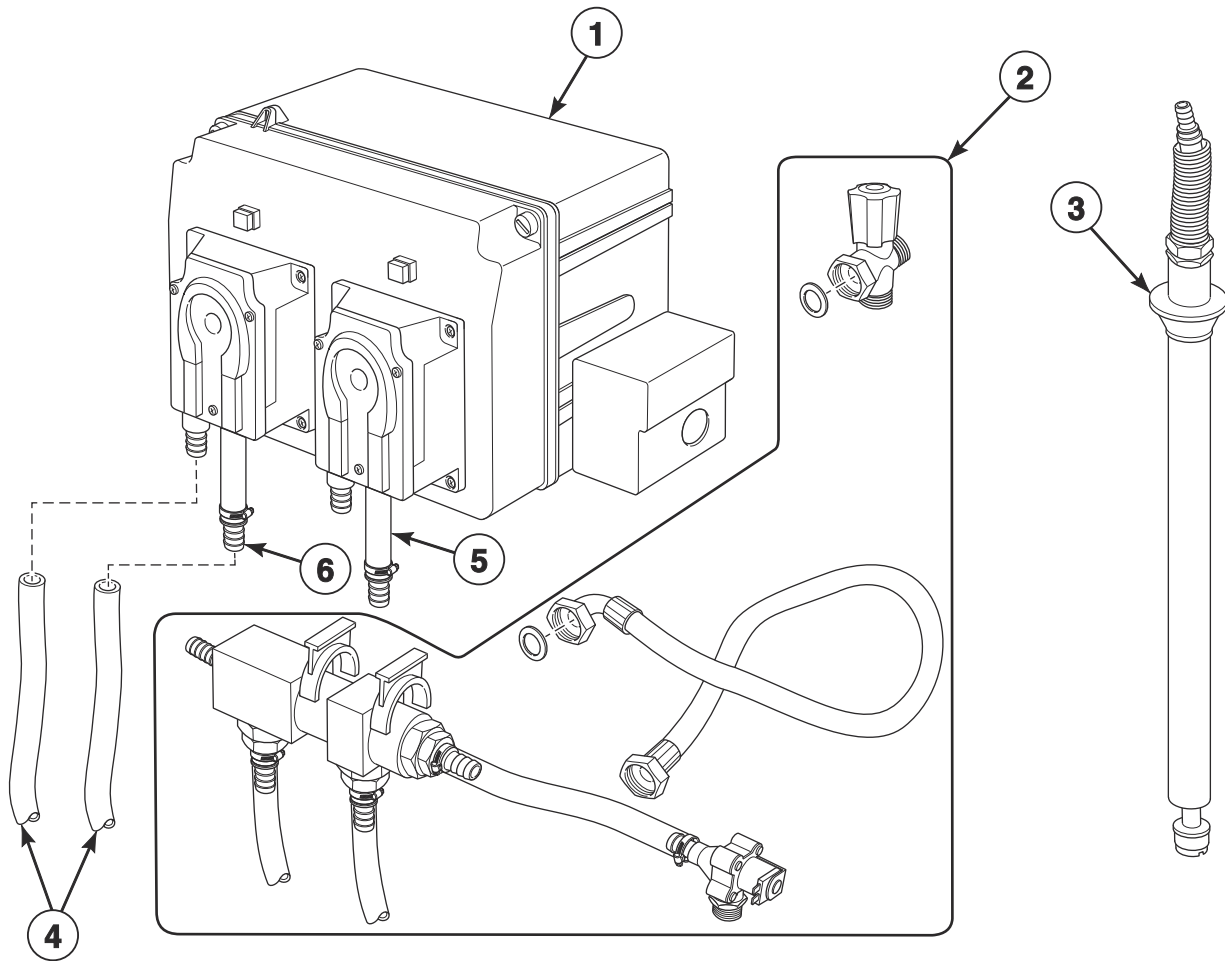


CFD2651P\_D1592

## Tilting System Pneumatic Components - 40, 55, 90, 120, 125, 400, 520 and 550 Models

REF	PART NO.	DESCRIPTION	COMMENTS
	SP548110	Pneumatic Components Set	
1	SP319428330800	Pipe Nipple	L 8-G1/4 inch
2	SP536505	Valve Connector	
3	SP510898	Plug	G1/8 inch
4	SP548061	Electromagnetic Valve	
5	SP309084000316	Bolt	M3x16
6	SP319428330008	Pipe Nipple	8-G1/4 inch
7	SP536506	Connecting Block	
8	SP310934240006	Nut	M6
9	SP311127240006	Washer	6
10	SP311125240006	Washer	6.4
11	SP309933240616	Bolt	M6x16
12	SP313251002104	Nut	M4
13	SP273121008001	Cable Passage	8x1
14	SP545301	Pneumatic Components Holder	
15	SP319300008125	Hose	8x1.25
16	SP548001	Reduction	G1 inch-G1/4 inch
17	SP510853	Air Spring	G1 inch
18	SP514094	Nut	M5
19	SP548107	Upper Rear Cover	
20	SP548109	Plexiglass	5x250x260
21	SP309933240618	Bolt	M6x18
22	SP309084000416	Bolt	M4x16
23	SP311127000004	Washer	M4
24	SP311125000004	Washer	M4
25	SP548958	Filter, Regulator and Lubricator	G1/4 inch
26	SP319428330080	Pipe Nipple	L8-G1/8 inch
27	SP536508	Topper	
28	SP512134	Bolt	M4x40
29	SP326346000407	Sound Damper	G1/4 inch

# Liquid Soap Supply System



CZW45P\_D1592

# Liquid Soap Supply System

REF	PART NO.	DESCRIPTION	COMMENTS
	MB90-Z40	Supply Pump Kit	For two pumps
	MB90-Z41	Supply Pump Kit	For three pumps
	MB90-Z42	Supply Pump Kit	For four pumps
	MB90-Z43	Supply Pump Kit	For five pumps
	MB90-Z44	Supply Pump Kit	For six pumps
<b>1</b>	529742	Pump	Two
	529743	Pump	Three
	529744	Pump	Four
	529745	Pump	Five
	529746	Pump	Six
<b>2</b>	529789	Manifold Flush Kit	For two pumps
	529797	Manifold Flush Kit	For three pumps
	529798	Manifold Flush Kit	For four pumps
	529799	Manifold Flush Kit	For five pumps
	529800	Manifold Flush Kit	For six pumps
<b>3</b>	529787	Suction Tube	
<b>4</b>	SPPRI540020005	Hose	d10/14
<b>5</b>	529747	Hose	Spare hose for pump
<b>6</b>	547808	Connection	





# Parts Index

## A

Adapter	
567175 .....	37, 39
Adhesive	
70381902P .....	65
Adhesive Fixing Index Plate	
SPPRI350003050 .....	65, 67
Adjustable Foot	
SP516956 .....	67
Adjusting Rod	
SP515452 .....	25
Air Grate	
SP321848254108 .....	11, 13
Air Spring	
SP510853 .....	83
Air Spring Plate	
SP547296 .....	73, 77
Air Spring Support	
SP552164 .....	73, 77
Air Trap Reduction	
SPPRI503000027 .....	61, 63
Amplifier	
SP516968 .....	67
Antivibration Insulation	
SP100179 .....	7

## B

Beacon	
SP514131 .....	41, 45
Bearing	
SPPRI608000041 .....	25
SPPRI608000082 .....	21
SP526809 .....	21
Bearing House Seal	
SP273111995417 .....	19, 21
Bearing Housing	
SPF02105000412 .....	21
SPF04105000112 .....	19
Bearing Housing Insert	
SPF04105000213 .....	19
Bearing Housing Replacement Tool Kit	
SPPRI830000014 .....	19, 21
Belt	
SP515454 .....	23
SP529776 .....	23
Binding Strip	
SP345000160971 .....	21, 37, 39, 61, 63, 65, 67
SP503817 .....	67
Board	
SP534876 .....	45
Board Interconnection Cable	
SP547066 .....	41
Bolt	
SPF02100021114 .....	17
SPF02101001114 .....	7
SPF02101001214 .....	7
SPF02119000415 .....	15

SP100099 .....	71
SP223110200415 .....	31
SP309084000306 .....	33
SP309084000310 .....	31, 33
SP309084000316 .....	33, 83
SP309084000320 .....	33
SP309084000410 .....	23, 41, 45
SP309084000412 .....	41, 45
SP309084000416 .....	33, 83
SP309084000420 .....	45
SP309084100408 .....	33
SP309084100410 .....	53, 57
SP309084100416 .....	45
SP309084240312 .....	33
SP309444016070 .....	7
SP309551000606 .....	19
SP309551001010 .....	19
SP309595240612 .....	11, 33, 49
SP309798500306 .....	41, 47
SP309798500314 .....	33
SP309798524412 .....	27, 29
SP309912000815 .....	11
SP309912001030 .....	19
SP309912101230 .....	21, 73
SP309912121265 .....	19, 21
SP309913000610 .....	23, 27, 29, 73, 77
SP309916000506 .....	21
SP309931020060 .....	21
SP309931020150 .....	15
SP309933000416 .....	49
SP309933000516 .....	7, 39
SP309933000610 .....	31, 45, 49
SP309933000612 .....	11
SP309933000616 .....	15, 39, 41, 61, 63, 69, 75
SP309933000618 .....	9, 73, 77
SP309933000620 .....	49
SP309933000625 .....	35
SP309933000820 .....	15, 61, 63, 71, 75
SP309933000825 .....	71, 73, 75, 77
SP309933000835 .....	73, 77
SP309933001030 .....	71, 75
SP309933001035 .....	23
SP309933001080 .....	7
SP309933001230 .....	25, 71, 75
SP309933001235 .....	23
SP309933001250 .....	23
SP309933001270 .....	67
SP309933001299 .....	67
SP309933240408 .....	31
SP309933240612 .....	15, 19, 31
SP309933240616 .....	47, 83
SP309933240618 .....	11, 19, 27, 29, 83
SP309933240822 .....	33
SP309933240830 .....	19
SP309965240408 .....	65
SP309966240408 .....	17
SP309966240620 .....	9, 11
SP309966240635 .....	9
SP309966240640 .....	9, 11
SP512134 .....	83
SP514661 .....	69, 75
SP514714 .....	73, 77
SP516683 .....	73, 77
SP518494 .....	27, 29
SP518556 .....	33
SP525168 .....	71, 75

N/A items do not appear in index.

SP537854 .....	47, 79, 81
SP551432 .....	73, 77
SP553937 .....	69, 75
Box	
SPF02105001313 .....	21
SP534273 .....	49
Brace	
SP511246 .....	39
Bracket Switch Plate	
SP552121 .....	73, 77
Brake Resistor	
SP100925 .....	53
SP101786 .....	57
SP516747 .....	57
Branch T	
SPPRI426002112 .....	37, 39
Bulb	
SP514132 .....	41, 45
Bumper	
SP552165 .....	79, 81
Bushing	
SP101406 .....	49
SP101407 .....	49
SP101409 .....	23, 49
SP273121013002 .....	49
Buzzer	
SP516844 .....	41, 45

## C

Cabinet Holder	
SP547225 .....	73, 77
SP552074 .....	75
Cable	
SP545245 .....	49
Cable Bushing	
SPPRI350000045 .....	39
SPPRI501000071 .....	47, 53, 57
SP101410 .....	49
SP273121008002 .....	15
Cable Clip	
SPF05116102514 .....	53, 57
Cable Holder	
SPF07102200024 .....	23
Cable Passage	
SP273121008001 .....	83
SP273121009002 .....	53, 57
SP273121015002 .....	53, 57
Cable Sleeve	
SPPRI407000091 .....	23, 53, 57
Cam	
SPF02117001214 .....	33
Centering Block	
SPF02100020114 .....	11
Central Stop Head	
SP102259 .....	45
Change-Over Switch	
SPPRI348000113 .....	45
Circuit Breaker	
SP524785 .....	51, 55
Clamp	
SP346000280101 .....	67
SP346000280104 .....	67

SP346000280107 .....	67
SP552123 .....	71, 75
Clamp Terminal	
SP524648 .....	53, 57
Clamping Sleeve	
SPF02105002113 .....	21
Clip	
SPF02119000014 .....	15
SP526133 .....	35
SP526134 .....	35
SP540240200220 .....	19, 21
Clip Relay	
SP347100728801 .....	41
Coil	
SP554110 .....	59
Coil Holder	
SPF02117002614 .....	33
Coil Modification	
SPF02117001814 .....	33
Collar	
SPF04105001614 .....	19
SP511283 .....	11
Column	
SPF02117001424 .....	33
Communication Cable	
SP520079 .....	57
SP528325 .....	53
Complete Air Spring	
SP547293 .....	71, 75
Complete Bearing Housing	
SP512921 .....	21
SP515428 .....	19
Complete Cabinet Holder	
SP552094 .....	71
SP552095 .....	71
Complete Distribution Board	
SPF07145200022 .....	53, 57
Complete Door	
SP556063 .....	27, 29
Complete Drain Board	
SPF02101300013 .....	63
SPF04101300013 .....	61
Complete Front Cover	
SP511230 .....	11, 13
SP559741 .....	11, 13
552538 .....	11
553198 .....	11
Complete Front Panel	
SP512834 .....	41
Complete Front Reinforcement	
SP547286 .....	79
Complete Left Cover	
SP552101 .....	79
SP552115 .....	79
Complete Left Front Cover	
SP511224 .....	9
Complete Rear Bar	
SP552089 .....	79, 81
Complete Rear Cover	
SP552085 .....	79
SP552086 .....	79
Complete Rear Panel	
SP518615 .....	49

N/A items do not appear in index.

Complete Right Cover		Contactors	
SP552102	79	SPPRI345002019	51, 55
SP552116	79	SP514038	51, 55
Complete Right Front Cover		SP514042	51, 55
SP511225	9	Control Board	
Complete Shaped Hose		SP526008	45
SPF02108200014	63	SP553411	41, 47
SPF04108200014	61	SP553412	41
Complete Side Cover		SP553419	41
SPF02113600014	13	Control Board Power	
SPF03113600014	13	SP553405	41
SPF04113600014	13	Control Hanging Kit	
Complete Soap Hopper		SP552429	71
SP512814	31	SP552430	71
Complete Soap Hopper Cover		Control Panel Assembly Kit	
SP223110700013	31	557225	47
Complete Steam Supply		Converter	
SP528959	59	SP516964	67
SP528960	59	Converter Box	
Complete Tilting and Weighing System		SP516997	67
SP555301	71, 75	Coupling	
SP555302	71, 75	SP405113000006	39
Complete Tilting System		Cover	
SP555303	71	SPF02105001214	21
SP555304	71	SP223103300014	17
Complete Tilting System Cabinet		SP235110001413	31
SP547282	79	SP321848542070	41, 45
SP547283	79	SP346000014010	53, 57
Complete Upper Cover		SP346000280301	67
SPF02113700012	13	SP511345	11
SPF03113700012	13	SP524650	53, 57
SPF04113700012	13	SP524655	53, 57
Complete Upper Side Cover		SP551873	41
SPF07113500013	13	SP552070	81
SPF08113500013	13	SP552071	81
SPF09113500013	13	SP552195	81
Conductor		SP552196	81
SP341413007001	67	Cover Insert	
SP341413007002	67	SP235111200013	31
SP505444	65, 67	Cube	
SP505446	67	SP511228	9
Connecting Block		SP511229	9
SP536506	83	<hr/>	
Connecting Bridge		<b>D</b>	
SP524652	53, 57	Damper	
Connection		SP326269185250	7
547808	85	Direct Hose	
Connection Part		SPF02108100014	61, 63
223110400114	65	Disk	
Connection Wall		SPF02101500214	7
SP522090	35	Distance Ring	
Connector		SP230104001014	19
SP516090	67	SP526802	21
SP520082	67	Distance Sheet	
SP554156	59	SP519453	27, 29
Connector Box		Distance Tube	
SP347100306009	67	SPPRI543000005	45
Contact		SP526152	35
SPPRI350002018	67	Door	
SP345000140609	45	SPF02107100013	27, 29
Contact Block		Door Body	
SP102260	45	F8435501	29
Contact Pin			
SP345001662931	67		

N/A items do not appear in index.

Door Glass	
SPF02107003314 .....	27, 29
SP515509 .....	27, 29
Door Hinge Bars	
SP519443 .....	27, 29
Door Hinge Plate	
SP519444 .....	27
Door Lever	
SPF02107500014 .....	27
SP555115 .....	29
Door Lock	
SP530714 .....	33
SP560722 .....	33
Door Pin	
SP235110001215 .....	31
Door Seal	
SPF02107003214 .....	27, 29
Drain Elbow	
SP235100018724 .....	61, 63
SP519463 .....	61, 63
Drain Valve	
SPPRI340055051 .....	61, 63
Drain Valve Chamber	
567183 .....	61, 63
Drain Valve Motor	
SPPRI340002051 .....	61, 63
Draw Bar	
SP547232 .....	71, 75
SP552132 .....	71
SP552139 .....	71, 75
Draw Bar Block	
SP552189 .....	75
Draw Bar Partition	
SP547229 .....	73, 77
Draw Bar Pin	
SP552131 .....	71, 75
Drawing Bar	
SPF02101500324 .....	7
Drive Board	
SPF02102100024 .....	23
SPF03102100024 .....	23
SPF04102100024 .....	23
Drive Plate	
SPF07102000012 .....	23
SPF08102000012 .....	23
SPF09102000012 .....	23
Drum Block	
SP529394 .....	73, 77
Drum Weldment	
SPF02103100011 .....	17
SPF03103100011 .....	17
SPF04103100011 .....	17

## E

Earthing Index Plate	
SPPRI551000001 .....	15, 23, 33, 45, 53, 57
Eathing Index Plate	
SPPRI551000001 .....	7
Elbow	
SPPRI426002072 .....	37, 39
SPPRI504000069 .....	31
SPPRI505000034 .....	49

SP223101400414 .....	61, 63
SP273238425503 .....	61, 63
Electrical Time Switch	
SP358126300000 .....	53, 57
Electromagnetic Valve	
SP548061 .....	83
Element	
SP511241 .....	33
Emergency Stop Connector	
SP528311 .....	41, 47
Emergency Stop Knob	
SP528310 .....	43, 47
Emergency Stop Label	
SPPRI551005248 .....	45
End of Cycle Beacon	
564690 .....	41
End of Cycle Light and Buzzer Kit	
SP552297 .....	45
SP552298 .....	45
566472 .....	41
566474 .....	41
End of Cycle Light Kit	
566473 .....	41
566475 .....	41
End Stop	
SP346000209101 .....	51, 53, 55, 57, 67
Expansion Tube	
SP526803 .....	21
Extension	
SPF02111001114 .....	37, 39
SP235134601424 .....	37, 39
Extension Relay Board Cable	
SP520187 .....	45
External Steam Hose	
SP273454800034 .....	59

## F

Fan Chanel	
SPF07145600012 .....	53, 57
Filling Hose Pipe	
SP534653 .....	37
Filter	
SP100452 .....	53, 57
SP405054057008 .....	37, 39, 59
SP516756 .....	57
SP552417 .....	53
Filter Pressure Regulator	
SP347600100112 .....	39
570801 .....	39
Filter, Regulator and Lubricator	
SP548958 .....	83
Frame	
SPF02101100012 .....	7
SPF03101100012 .....	7
Frequency Converter Cover	
SP515600 .....	49
Frequency Inverter	
SP516734 .....	57
SP525933 .....	53
SP552380 .....	53
Frequency Inverter Fan	
SP528235 .....	53

N/A items do not appear in index.

Front Cover	
SPF02105001512 .....	21
SPF04105000312 .....	19
SPF04105001114 .....	19
SP552107 .....	79
SP552191 .....	81
Front Leg Weldment	
SP552145 .....	73
Front Panel	
SPF02114100013 .....	45
Front Reinforcement	
SP552090 .....	81
Fuse	
SPPRI401020021 .....	53, 57
SP345805163032 .....	53, 57
SP358503750020 .....	55
Fuse Case	
SP346000004010 .....	53, 57
Fuse Clip	
SP524653 .....	53, 57
Fuse Insert	
SP358251503160 .....	51, 55
SP358251503220 .....	51, 55
SP358251503240 .....	51, 55
Fuse Isolator	
SP358251601312 .....	51, 55
Fuse Plug	
SP524654 .....	53, 57

## G

Gate	
SP533710 .....	33
Glass Seal	
SP273115021905 .....	27, 29
Greasing Head	
SP425111211043 .....	49
Greasing Index Plate	
SP530755 .....	49
Guiding Plate	
SP547234 .....	71
SP552185 .....	75

## H

Handle	
SPF02107300024 .....	27
Hanging Control Kit	
SP557889 .....	75
SP557890 .....	75
Heating Element	
SP540131 .....	15
SP540132 .....	15
Heating Element Hole Plug	
SPPRI342001016 .....	15
Hinge	
SP547291 .....	71, 75
SSP552167 .....	71
Holder	
SPF02104000913 .....	15
SPF02110001214 .....	31

Hose	
SPPRI503002049 .....	65
SPPRI540000014 .....	37, 39
SPPRI540020005 .....	35, 85
SP273238003242 .....	35, 37, 39
SP273238006076 .....	35
SP273396307058 .....	15, 35
SP283351220111 .....	19, 21
SP286125020211 .....	21
SP319300006001 .....	39
SP319300008125 .....	83
SP522200 .....	35
529747 .....	85
Hose Clamp	
SPPRI240000002 .....	21, 37, 39
SPPRI240000003 .....	61, 63, 65
SPPRI240000007 .....	61, 63
SPPRI240000008 .....	35, 37, 39
SPPRI240000017 .....	7, 61, 63
SPPRI240000021 .....	15, 35
SPPRI241000017 .....	61, 63
Hose Plug	
SP526150 .....	35
SP526151 .....	35

## I

Index Plate	
SP527270 .....	37, 39
SP527271 .....	37, 39
SP527272 .....	37, 39
SP548011123014 .....	49
Inlet Hose	
SPPRI505003055 .....	37, 39
Inlet Valve, 2-Way	
SP101344 .....	37, 39
Inlet Valve, 3-Way	
SP101345 .....	37, 39
Inner Strip	
SP511280 .....	11
Insert	
SPF02107001815 .....	27, 29
Insert Tube	
SP235134601115 .....	37, 39
Inside Ring	
SPPRI608000069 .....	19
SPPRI608000071 .....	19
Insulation	
SPF02110001314 .....	31, 33
Insulation Tube	
SP283362004915 .....	31
Interconnection	
SP346000280402 .....	67
Isolation Paper	
SPPRI350012007 .....	41
Isolation Plate	
SP101154 .....	33

## K

Key	
SPPRI610001009 .....	45
SPPRI610003923 .....	43

N/A items do not appear in index.

Keyboard	
SP520681 .....	45
SP525909 .....	45
SP547085 .....	43
SP547087 .....	43
SP553402 .....	47
SP554984 .....	43
SP554985 .....	43
SP557130 .....	43
SP557131 .....	43
SP557565 .....	43
SP559397 .....	43
SP559862 .....	43
Keyboard Box Cover Weldment	
557206 .....	47
557208 .....	47

## L

Label	
SPPRI551000047 .....	49
SPPRI551001001 .....	49
SPPRI551006001 .....	49
SP502099 .....	45
SP507923 .....	45
SP507924 .....	45
SP548000091014 .....	31
501100009214 .....	45
Lath	
SP530767 .....	79, 81
Limiter	
SPF02104000814 .....	15
Link	
568816 .....	33
Load Sensor	
SP529101 .....	67
Lock	
SPPRI610000007 .....	43, 45
Lock Cover	
SP511284 .....	11
SP511306 .....	11
Lock Hook	
SPPRI610001007 .....	41, 45
Lower Hinge	
SP552718 .....	73, 77
519462 .....	27, 29
Lower Plate	
SP511226 .....	7
Lower Rear Cover	
SPF02113001512 .....	11
SPF04113001512 .....	11

## M

Magnet Holder	
SPF02107002614 .....	27, 29
SP507932 .....	27, 29
Magnetic Switch	
SPPRI346000032 .....	31, 33
Magnetic Switch Magnet	
SPPRI346000031 .....	27, 29, 31
Main Switch	
SPPRI404000098 .....	49

SPPRI404000099 .....	49
SP347700100753 .....	49
SP347700125175 .....	49
SP504589 .....	49
Main Switch Knob	
SPPRI404000095 .....	49
Manifold Flush Kit	
529789 .....	85
529797 .....	85
529798 .....	85
529799 .....	85
529800 .....	85
Memory	
SP526001 .....	45
Microswitch	
SPF02117002114 .....	33
SPF02117002224 .....	33
Mixer	
SP515143 .....	35
SP515144 .....	35
SP522121 .....	35
Mixing Knot	
SPF02109000024 .....	35
SPF03109000024 .....	35
SPF04109000024 .....	35
Motor	
SP338400112022 .....	23
SP338400132022 .....	23
Motor Cable	
SP528105 .....	23
SP528106 .....	23
SP528107 .....	23
Motor Pulley	
SP507728 .....	23
SP510111 .....	23

## N

Nozzle	
570375 .....	31
Nut	
SPF02105002213 .....	21
SPF02107002315 .....	27, 29
SPPRI226000064 .....	19
SPPRI350001045 .....	39
SPPRI610005007 .....	41
SPPRI610006007 .....	41
SP101416 .....	49
SP101417 .....	49
SP101419 .....	49
SP101420 .....	49
SP310917240006 .....	11, 27, 29, 31
SP310934000003 .....	31, 33
SP310934000004 .....	11, 31, 33, 41, 45, 49
SP310934000005 .....	39
SP310934000006 .....	9, 11, 35, 39, 45
SP310934000008 .....	61, 63
SP310934000012 .....	23, 25, 31, 71, 75
SP310934000020 .....	15
SP310934100004 .....	45
SP310934100006 .....	9
SP310934240004 .....	31
SP310934240006 .....	7, 15, 23, 31, 47, 83
SP310934240008 .....	15
SP310936000014 .....	49
SP310985000005 .....	47

N/A items do not appear in index.

SP310985000006 .....	31
SP310985000008 .....	71, 73, 75, 77
SP310985000010 .....	7, 71, 75
SP310985000012 .....	67, 69, 75
SP310985000016 .....	7
SP313251000006 .....	47, 73, 77
SP313251002104 .....	83
SP514094 .....	83
SP514193 .....	11
SP537560 .....	47
570374 .....	31

## O

O-Ring	
SP273111030035 .....	17
SP273111140005 .....	17
SP273111150003 .....	19
Outside Ring	
SPPRI608000070 .....	19
SPPRI608000072 .....	19
Overflow Hose	
SPPRI505000094 .....	61, 63

## P

Packing Part	
SPF02101500414 .....	7
Padlock	
SP523167 .....	65
Panel Hinge	
SPF02114400014 .....	41, 45
Pin	
SPF02117002514 .....	33
SP223110200115 .....	31
SP313515004035 .....	27
SP554970 .....	29
Pipe	
SPF02104101715 .....	61, 63
Pipe Coupling	
SP235134107315 .....	65
SP523729 .....	65
Pipe Nipple	
SPPRI426001217 .....	37, 39
SPPRI426001220 .....	37, 39
SP235134600414 .....	37, 39
SP319428330006 .....	19, 21
SP319428330008 .....	83
SP319428330060 .....	39
SP319428330080 .....	83
SP319428330800 .....	39, 83
SP503883 .....	39
Plate	
SPF02107002115 .....	27, 29
560724 .....	49
Plate Weldment	
SP547298 .....	71
SP547299 .....	71
Plexiglass	
SP548109 .....	83
Plug	
SPPRI505000064 .....	9, 11, 49
SP223105002314 .....	21

SP273127001798 .....	9
SP319428324805 .....	15
SP321848503046 .....	19
SP345900025012 .....	49
SP345900032132 .....	47
SP345900043132 .....	49
SP510898 .....	83
SP526156 .....	35

Pneumatic Components Holder	
SP545301 .....	83
Pneumatic Components Set	
SP548110 .....	83
Position Switch	
SPPRI345000070 .....	69, 75
SP506572 .....	69, 75
Pressure Regulator Grip	
SP405113111112 .....	39
570804 .....	39
Profile	
SP511287 .....	11
Profiled Sealing	
SPPRI505000058 .....	11, 15
Programming Cable	
F8600501 .....	41
Pulley	
SPF02105000513 .....	21
SPF04105000613 .....	19
Pump	
529742 .....	85
529743 .....	85
529744 .....	85
529745 .....	85
529746 .....	85

## R

Radial Seal	
SPPRI530000033 .....	19
Rail	
SP346000210113 .....	67
Rear Cover	
SPF02105001612 .....	21
SPF02113400111 .....	9
SP526153 .....	9
SP526154 .....	9
SP552087 .....	81
SP552088 .....	81
Rear Leg Weldment	
SP552149 .....	71
Recycle Drain Valve	
SPPRI340072051 .....	61, 63
Reducing Insert	
SP235134601314 .....	37, 39, 59
Reducing Sleeve	
SP230131300715 .....	49
Reduction	
SPF02116001714 .....	59
SPF02116001814 .....	59
SP548001 .....	83
Relay	
SP347100460720 .....	41
Relay Board Connection Cable	
SP552428 .....	41

N/A items do not appear in index.

Relay Board Extension	
SP520139 .....	45
Relay Clip	
SP347100787384 .....	41
Relay Extension Board	
SP547003 .....	41
Retaining Ring	
SP307732030014 .....	27, 29
SP307732030025 .....	25
SP307732030060 .....	19
SP307732031062 .....	25
Ring	
SPF02117001714 .....	33
SP230104000514 .....	19
Rising Section	
SPF02117001314 .....	33
Rivet	
SP313250004007 .....	7, 13, 21
SP313250004063 .....	65, 67
SP313250004075 .....	11
SP313250004125 .....	11, 45
Roller	
SPF02118000514 .....	25
SPF04118000514 .....	25
Rubber	
SP511236 .....	11

## S

Safety Lever	
SP321848480023 .....	31
Schematic Diagram	
SP528024 .....	67
Screw	
SPF02105002915 .....	21
SP309966240610 .....	73, 77
SP510856 .....	35
SP514100 .....	67
Seal	
SPPRI530000022 .....	21
SPPRI530000031 .....	21
SPPRI530000037 .....	19
SP102192 .....	21
SP102367 .....	19
SP273442021020 .....	31
SP506708 .....	37, 39
SP516808 .....	49
Sealing	
SP230104001214 .....	19
SP273222012025 .....	15, 19, 21
Sealing Ring	
SPPRI524000001 .....	15
Shaft	
SP532170 .....	21
SP548535 .....	19
Shaft Bushing	
SPPRI609000170 .....	21
Shaped Hose	
SPPRI505000090 .....	61, 63
Shield Cable	
SP341414000205 .....	67
Side Bar	
SPF02113200614 .....	11

Side Plate	
SP511238 .....	11
Sleeve	
SPF02101500114 .....	7
SPPRI608000081 .....	19
SP323622641243 .....	27, 29
SP552721 .....	73, 77
Small Cover	
SPF04105000914 .....	19
Small Plate	
SPF02101001014 .....	7
Soap Connection Kit	
SP529611 .....	49
Soap Hopper	
SP512813 .....	31
Soap Hopper Cover	
SP223110600013 .....	31
Soap Hopper Level	
SP235110200014 .....	31
Soap Hopper Lock	
SPF02110200014 .....	31
Soap Relay Board	
SP524714 .....	49
Sound Damper	
SP326346000407 .....	83
Speed Sensor	
SP557701 .....	19, 21
Speed Sensor Holder	
SP560733 .....	19
SP560736 .....	21
Spring	
SPPRI611000007 .....	33
SP120102302325 .....	31
SP315002005014 .....	7
SP315002015014 .....	33
Spring Hinge	
SPF02101500014 .....	7
Steam Hose	
SP533032 .....	59
Steam Pipe	
SPF02116100014 .....	59
Steam Valve	
SP514162 .....	59
Steam Valve Body	
SP514166 .....	59
Sticker	
SP101805 .....	45
SP504945 .....	45
SP504990 .....	45
SP551872 .....	43
Stop	
SP552725 .....	73, 77
Suction Tube	
529787 .....	85
Supply Pump Kit	
MB90-Z40 .....	85
MB90-Z41 .....	85
MB90-Z42 .....	85
MB90-Z43 .....	85
MB90-Z44 .....	85
Switch	
SPPRI348000097 .....	49
Switch Bracket	
SP552122 .....	71

N/A items do not appear in index.



SP552188 .....	75
Switching Unit	
SP528312 .....	41, 47
<hr/>	
<b>T</b>	
Temperature Sensor	
SP503839 .....	15, 45
Tension Roller	
SPF0211800014 .....	25
SPF02118100013 .....	25
SPF0411800014 .....	25
Terminal Board	
SPPRI35000007 .....	41
Thermostat Sensor Holder	
SPPRI614000047 .....	15
Threaded Plate	
SP526128 .....	35
Tilting System Cabinet	
SP552199 .....	81
SP552200 .....	81
Tilting System Pin	
SP552748 .....	73, 77
Top Cover	
SP504992 .....	45
Top Front Cover	
SP511232 .....	41, 45
Topper	
SP536508 .....	83
T-Part	
SPPRI505000078 .....	61, 63
Transformer	
SP101643 .....	7
T-Square	
SP529323 .....	69, 75
Tub Facia Panel	
SP511402 .....	15
Tub Weldment	
SPF02104100011 .....	15
SPF03104100011 .....	15
SPF04104100011 .....	15
Tube	
SP518680 .....	33
SP533712 .....	33
Tyre	
SPF02107000813 .....	27, 29
<hr/>	
<b>U</b>	
Upper Cover	
SPF02113700112 .....	13
SPF03113700112 .....	13
SPF04113700112 .....	13
Upper Hinge	
SP552717 .....	73, 77
519452 .....	27, 29
Upper Plate	
SP511231 .....	41, 45
SP511237 .....	11
Upper Rear Cover	
SPF08113800014 .....	11
SP548107 .....	83

568403 .....	11
Upper Support Weldment	
SP552170 .....	69
SP552175 .....	75
Upper Switch Guide	
SP552120 .....	73, 77
USB Adapter	
553155 .....	47
USB Cable	
SP547006 .....	49
<hr/>	
<b>V</b>	
Valve	
SP510808 .....	39
SP510809 .....	39
SP523728 .....	65
SP567065 .....	37
Valve Connector	
SP536505 .....	83
Valve Holder	
525018 .....	65
Vessel	
SP321848223000 .....	31
Vibration Switch	
SPPRI345000068 .....	41, 45
Vibration Switch Holder	
SPF02145001114 .....	41, 45
<hr/>	
<b>W</b>	
Wash Bath Sample Complete	
570029 .....	65
Washer	
SPF02100021214 .....	17
SPF02100021615 .....	27, 29
SPF02105002515 .....	19, 21
SPF02105002715 .....	21
SPF02107001915 .....	27, 29
SPF02111001214 .....	37, 39
SPF02117002414 .....	33
SPF02118000615 .....	25
SPF07102001314 .....	23
SPPRI245000006 .....	9
SPPRI247000001 .....	9, 11
SPPRI247000022 .....	19
SPPRI521002001 .....	9, 11
SPPRI522000012 .....	41, 45
SP223111000814 .....	59
SP309933000616 .....	7
SP311125000003 .....	31, 33
SP311125000004 .....	31, 33, 41, 45, 49, 69, 75, 83
SP311125000005 .....	7, 39
SP311125000006 .....	7, 9, 15, 31, 35, 39, 45, 61, 63, 69, 75
SP311125000008 .....	61, 63, 71, 73, 75, 77
SP311125000010 .....	7, 71, 75
SP311125000013 .....	23, 25, 67, 69, 71, 73, 75, 77
SP311125000014 .....	49
SP311125000017 .....	7
SP311125100004 .....	33, 45, 53, 57
SP311125100006 .....	33
SP311125200006 .....	15
SP311125240004 .....	31

N/A items do not appear in index.

SP311125240006.....	7, 11, 15, 23, 27, 29, 47, 49, 73, 77, 83
SP311125240008.....	15, 33
SP311127000003.....	31
SP311127000004.....	11, 31, 33, 41, 45, 69, 75, 83
SP311127000005.....	7, 39
SP311127000006.....	9, 11, 15, 19, 31, 35, 39, 45, 49, 61, 63, 69, 75
SP311127000008.....	15, 61, 63, 71, 75
SP311127000010.....	19, 23
SP311127000012....	21, 23, 25, 31, 67, 71, 73, 75, 77
SP311127000020.....	15, 21
SP311127240004.....	31
SP311127240006....	11, 15, 19, 27, 29, 47, 73, 77, 83
SP311127240008.....	33
SP311679800003.....	41, 47
SP311679800004.....	23, 49, 53, 57
SP311679824006.....	7, 23, 49
SP311902100008.....	71, 75
SP311902100012.....	23
SP311902100014.....	23
SP505430 .....	11, 47
SP506518 .....	21
SP529753 .....	17
SP530884 .....	27, 29
SP547227 .....	71
SP552078 .....	69, 75
SP552168 .....	75
SP552169 .....	71
SP555746 .....	33
Washer.....	41
564264 .....	73, 77
Water Hose	
F200185.....	37, 39
Water Level Switch Hose	
SPPRI540001003 .....	61, 63
Wedge	
SP526810 .....	21
Weighing System Kit	
SP553940 .....	67
548130 .....	67
Weight	
SPF02104000514 .....	15
SPF02104000614 .....	15
Welded Foil	
SP511285.....	11
Weldment Hinge Console	
SP552182 .....	75
SP552183 .....	75

---