

Washer-Extractor

7, 65, WMA504EP and
W2106VRVS Models

Refer to Page 5 for Model Numbers



Table of Contents

Title	Page
Parts Ordering Information.....	4
Serial Plate Location	4
Model Identification	5
Serial Label	6
Logo Label	8
Upper Frame.....	10
Lower Frame.....	12
Stabilizing Springs - AF Non-Brand, H, HY, IY, LP, NY, SY and UY Models.....	14
Stabilizing Springs - AF, FX, HX, LY, PY, QW, SW and W Models.....	16
Stabilizing Springs - AF, IY, J and NY Models.....	18
Stabilizing Springs	20
Cabinet - AF Non-Brand, HY, LP, NY, SY and UY Models (Drawing 1 of 2).....	22
Cabinet - AF Non-Brand, HY, LP, NY, SY and UY Models (Drawing 2 of 2).....	24
Cabinet - H, IY and WMA Models (Drawing 1 of 2).....	26
Cabinet - H, IY and WMA Models (Drawing 2 of 2).....	28
Cabinet - AF, FX, HX, LY, PY, QW, SW and W Models (Drawing 1 of 2).....	30
Cabinet - AF, FX, HX, LY, PY, QW, SW and W Models (Drawing 2 of 2).....	32
Cabinet - AF, IY, J and NY Models (Drawing 1 of 3).....	34
Cabinet - AF, IY, J and NY Models (Drawing 2 of 3).....	36
Cabinet - AF, IY, J and NY Models (Drawing 3 of 3).....	38
Cabinet - FX and PY Models (Drawing 1 of 2).....	40
Cabinet - FX and PY Models (Drawing 2 of 2).....	42
Cabinet (Drawing 1 of 3).....	44
Cabinet (Drawing 2 of 3).....	46
Cabinet (Drawing 3 of 3).....	48
Control Panel - AF Non-Brand, HY, LP, NY, SY and UY Models	50
Control Panel - H, IY and WMA Models (Drawing 1 of 4).....	52
Control Panel - H, IY and WMA Models (Drawing 2 of 4).....	54
Control Panel - H, IY and WMA Models (Drawing 3 of 4).....	56
Control Panel - H, IY and WMA Models (Drawing 4 of 4).....	58
Control Panel - AF, FX, HX, LY, PY, QW, SW and W Models (Drawing 1 of 2).....	60
Control Panel - AF, FX, HX, LY, PY, QW, SW and W Models (Drawing 2 of 2).....	62
Control Panel OPL - AF, IY, NY Models	64
Control Panel Vended - AF, IY, NY Models	66
Control Panel for Central Payment System - AF, IY, NY Models.....	68
Control Panel OPL - AF, IY, JY and NY Models.....	70
Control Panel Vended - AF, IY, JY and NY Models.....	72
Control Panel for Central Payment System - AF, IY, JY and NY Models	74
Control Panel OPL - FX and PY Models.....	76
Control Panel OPL - FX and PY Models.....	78
Control Panel OPL - FX and PY Models.....	80

© Copyright 2024, Alliance Laundry Systems LLC

All rights reserved. No part of the contents of this book may be reproduced or transmitted in any form or by any means without the expressed written consent of the publisher.

Control Panel Vended - FX and PY Models.....	82
Control Panel Vended - FX and PY Models.....	84
Control Panel Vended - FX and PY Models.....	86
Control Panel for Central Payment System - FX and PY Models.....	88
Control Panel for Central Payment System - FX and PY Models.....	90
Control Panel for Central Payment System - FX and PY Models.....	92
Control Panel OPL.....	94
Control Panel Vended.....	96
Control Panel for Central Payment System.....	98
Coin Meter Box.....	100
Coin Meter Box.....	102
Coin Meter (Drawing 1 of 4).....	104
Coin Meter (Drawing 2 of 4).....	106
Coin Meter (Drawing 3 of 4).....	108
Coin Meter (Drawing 4 of 4).....	110
Coin Meter (Drawing 1 of 3).....	112
Coin Meter (Drawing 2 of 3).....	114
Coin Meter (Drawing 3 of 3).....	116
Door (Drawing 1 of 4).....	118
Door (Drawing 2 of 4).....	120
Door (Drawing 3 of 4).....	122
Door (Drawing 4 of 4).....	124
Door.....	126
Door.....	128
Door Lock.....	130
Door Lock.....	132
Water Inlet System.....	134
Two Water Inlet System.....	136
Three Water Inlet System.....	138
Two Water Inlet System without Soap Hopper.....	140
Three Water Inlet System without Soap Hopper.....	142
Drain System.....	144
Drain System.....	146
Drain System.....	148
Drain System - Drain Pump Option Through Serial No. 65FX013025QF.....	150
Drain System - Drain Pump Option Starting Serial No. 65FX013026QF.....	152
Drain System - Drain Pump Option.....	154
Rear Panel (Drawing 1 of 3).....	156
Rear Panel (Drawing 2 of 3).....	158
Rear Panel (Drawing 3 of 3).....	160
Rear Panel - 230-400V with Neutral (Drawing 1 of 2).....	162
Rear Panel - 230-400V with Neutral (Drawing 2 of 2).....	164
Rear Panel - 400-440V (Drawing 1 of 2).....	166
Rear Panel - 400-440V (Drawing 2 of 2).....	168
Rear Panel - 230-400V CE Models with Neutral (Drawing 1 of 2).....	170
Rear Panel - 230-400V CE Models with Neutral (Drawing 2 of 2).....	172
Rear Panel - CE Models - 400-440V (Drawing 1 of 2).....	174
Rear Panel - CE Models - 400-440V (Drawing 2 of 2).....	176
Rear Panel - 230V / 400V with Neutral (Drawing 1 of 2).....	178
Rear Panel - 230V / 400V with Neutral (Drawing 2 of 2).....	180

Rear Panel - 400V / 440V-480V (Drawing 1 of 2).....	182
Rear Panel - 400V / 440V-480V (Drawing 2 of 2).....	184
Steam Heating	186
Steam Heating	188
Washing Drum and Tub	190
Washing Drum and Tub (Drawing 1 of 2)	192
Washing Drum and Tub (Drawing 2 of 2)	194
Drive.....	196
Bearing Housing	198
Elevated Base Frame	200
Base Frame with Built-In Filter	202
Soft Wash - Without Built-In Recirculation Pump.....	204
Liquid Soap Supply System - Pumps.....	206
Filter Tank	208
Wire Harnesses	210
Parts Index.....	211

Parts Ordering Information

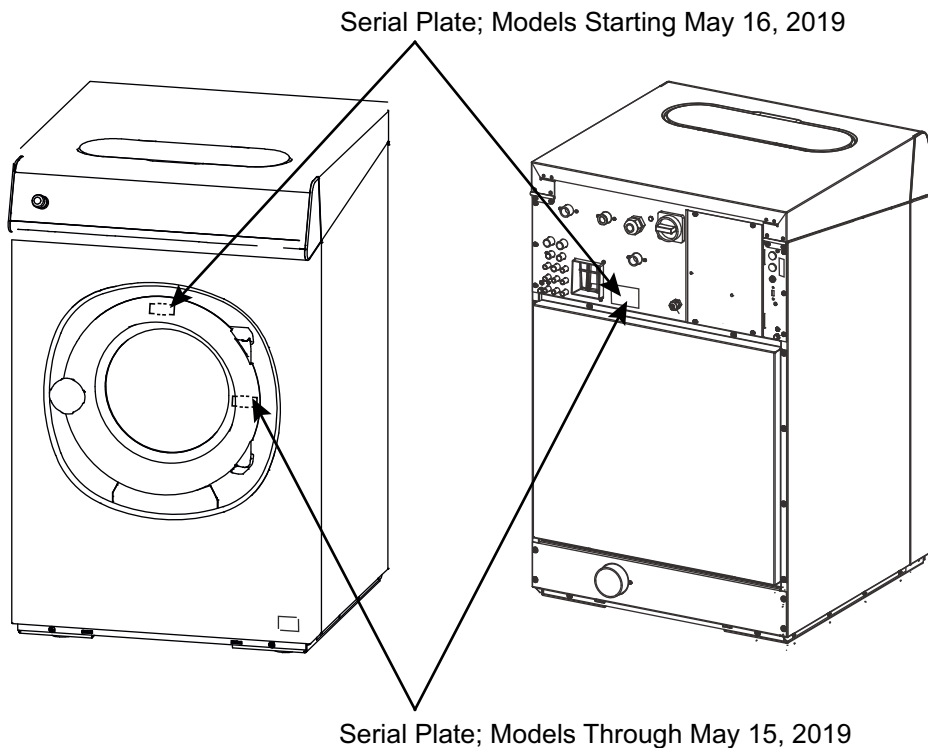
If literature or replacement parts are required, contact the source from whom the machine was purchased or contact Alliance Laundry Systems at (920) 748-3950 for the name and address of the nearest authorized parts distributor.

For technical assistance, call the number listed below:

(920) 748-3121 Ripon, Wisconsin

Serial Plate Location

When calling or writing about your product, be sure to mention model and serial numbers. Model and serial numbers are located on serial plate(s).



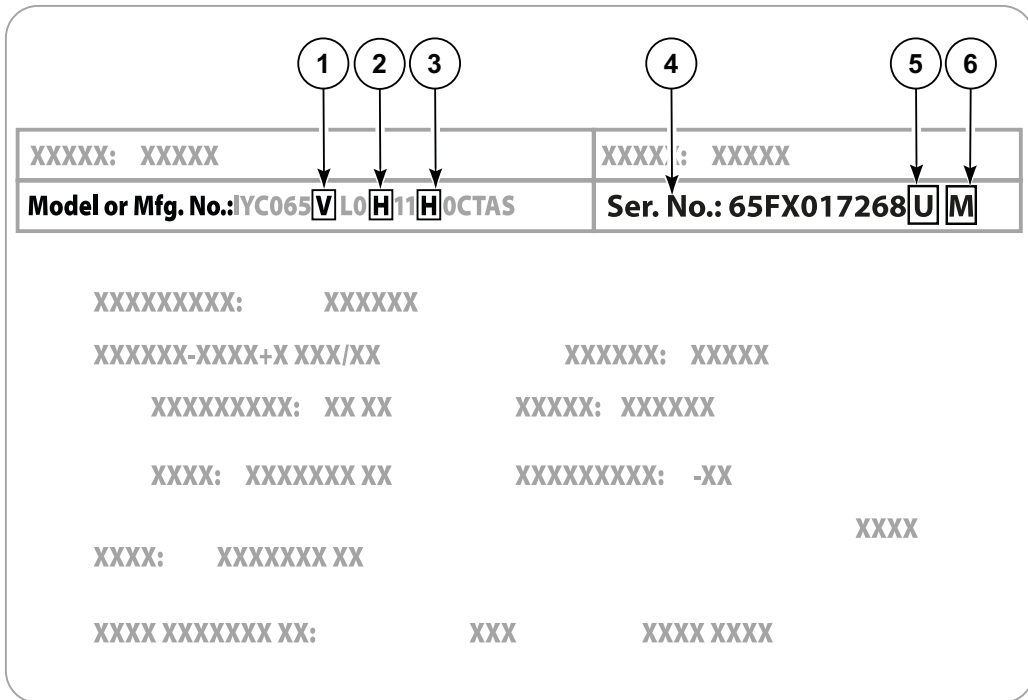
CFS1954P_D1617

Model Identification

Information in this manual is applicable to these washer-extractor models:

AF65_BASIC	H65	JYR065V	PYH065X	UYA065G
AF65_PROFESSIONAL	HYC065F	JYU065V	PYH065T	UYC065G
AF65_X_CONTROL	HYE065F	JYX065V	PYE065G	UYC065I
AF65_X_CONTROL_PLUS	HYG065F	LYC065T	PYE065T	UYE065G
FX65_X_CONTROL	HYH065F	LYC065X	PYE065V	UYE065I
FX65_X_CONTROL_FLEX_VEND	HYM065F	LYE065T	PYE065X	UYG065I
FX65_X_CONTROL_PLUS	HYQ065F	LYE065X	PYM065G	UYM065G
HY65_HC-200	HYR065F	LYH065T	PYM065T	UYM065I
HX65_X_CONTROL	HYU065F	LYH065X	PYM065V	UYH065I
HX65_X_CONTROL_PLUS	HYW065F	LYU065T	PYM065X	UYQ065I
IY65_ARIES	HYX065F	LYU065X	PYR065T	UYU065G
IY65_ARIES-ELITE	IYA065G	LYX065T	PYR065V	UYU065I
IY65_EVOLIS	IYA065V	LYX065X	PYR065X	UYW065I
IY65_EVOLIS-ELITE	IYC065G	LYY065T	PYU065G	UYX065I
LPRFRAF65E	IYC065J	LYY065X	PYU065T	UYX065I
NYC65_GRAPHITRONIC_TOUCH	IYC065R	NYA065G	PYU065V	
PY65_X_CONTROL_FLEX	IYC065V	NYA065V	PYU065X	
PY65_X_CONTROL_FLEX_PLUS	IYE065G	NYC065G	PYX065T	
QW7_X_CONTROL_PLUS	IYE065J	NYC065T	PYX065V	
SW7_X_CONTROL	IYE065R	NYC065V	PYX065X	
SW9_X_CONTROL	IYE065V	NYC065X	PYY065T	
SY65_QED	IYG065J	NYE065G	PYY065X	
SY65_QED-SELECT	IYG065R	NYE065T	SYA065G	
UY65_PROFORM	IYH065J	NYE065V	SYC065A	
UY65_PROFORM_TOUCH	IYH065R	NYE065X	SYC065D	
W2106VRVS	IYM065G	NYH065T	SYC065G	
WMA504EP	IYM065J	NYH065X	SYE065A	
	IYM065R	NYM065G	SYE065D	
	IYM065V	NYM065T	SYE065G	
	IYQ065J	NYM065V	SYG065A	
	IYQ065R	NYR065T	SYG065D	
	IYR065J	NYR065V	SYH065A	
	IYR065R	NYU065G	SYH065D	
	IYR065V	NYU065T	SYM065A	
	IYU065G	NYU065V	SYM065D	
	IYU065J	NYU065X	SYM065G	
	IYU065R	NYX065T	SYQ065A	
	IYU065V	NYX065V	SYQ065D	
	IYW065J	NYX065X	SYR065A	
	IYW065R	NYY065T	SYR065D	
	IYX065J	NYY065X	SYU065A	
	IYX065R	PYA065G	SYU065D	
	IYX065V	PYA065V	SYU065G	
	IYY065J	PYC065G	SYW065A	
	IYY065R	PYC065T	SYW065D	
	JYA065V	PYC065V	SYX065A	
	JYC065V	PYC065X	SYX065D	
	JYE065V		SYY065A	
			SYY065D	

Serial Label

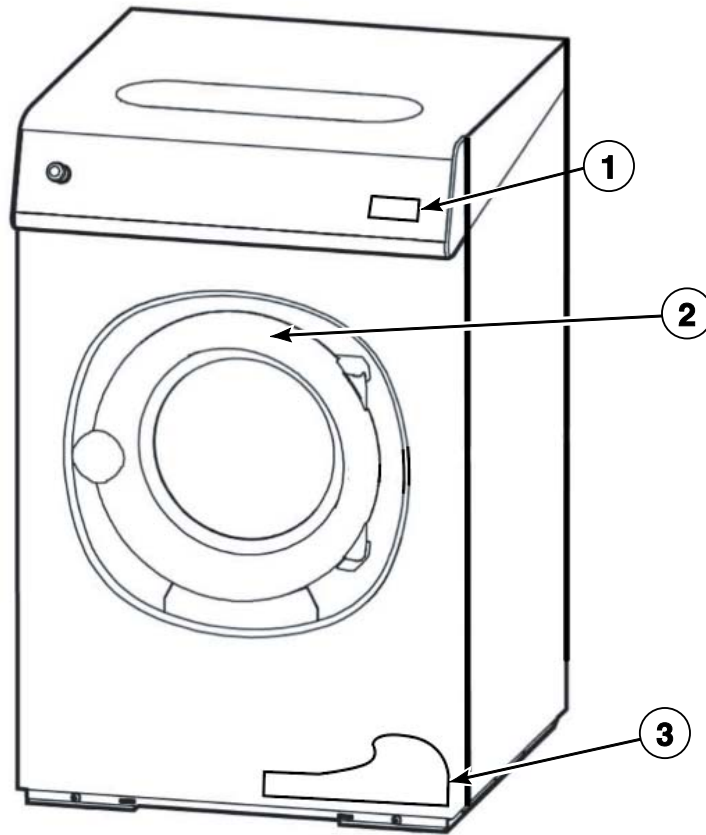


CZW587P

Serial Label

REF	PART NO.	DESCRIPTION	COMMENTS
1	-	Control	A, D, F, G, I, J, R, T, V or X letter in 7th position of the model number
2	-	Speed	2, 3, 4, 6, 7, 8, H, N or U character in 10th position of the model number
3	-	Design	1, 2, 3, 4, 5, 6, 7, 8, A, B, C, D, G, H, J, K, L, M, N or P digits or characters in 13th position of the model number
4	-	Serial Number	
5	-	Manufacturing Date - Year	2009: P 2010: R 2011: T 2012: V 2013: X 2014: B 2015: D 2016: F 2017: H 2018: K 2019: M 2020: Q 2021: S 2022: U 2023: W 2024: Y 2025: Z 2026: A
6	-	Manufacturing Date - Month	January: A or B February: C or D March: E or F April: G or H May: J or K June: L or M July: N or Q August: P or S September: R or U October: T or W November: V or Y December: X or Z

Logo Label

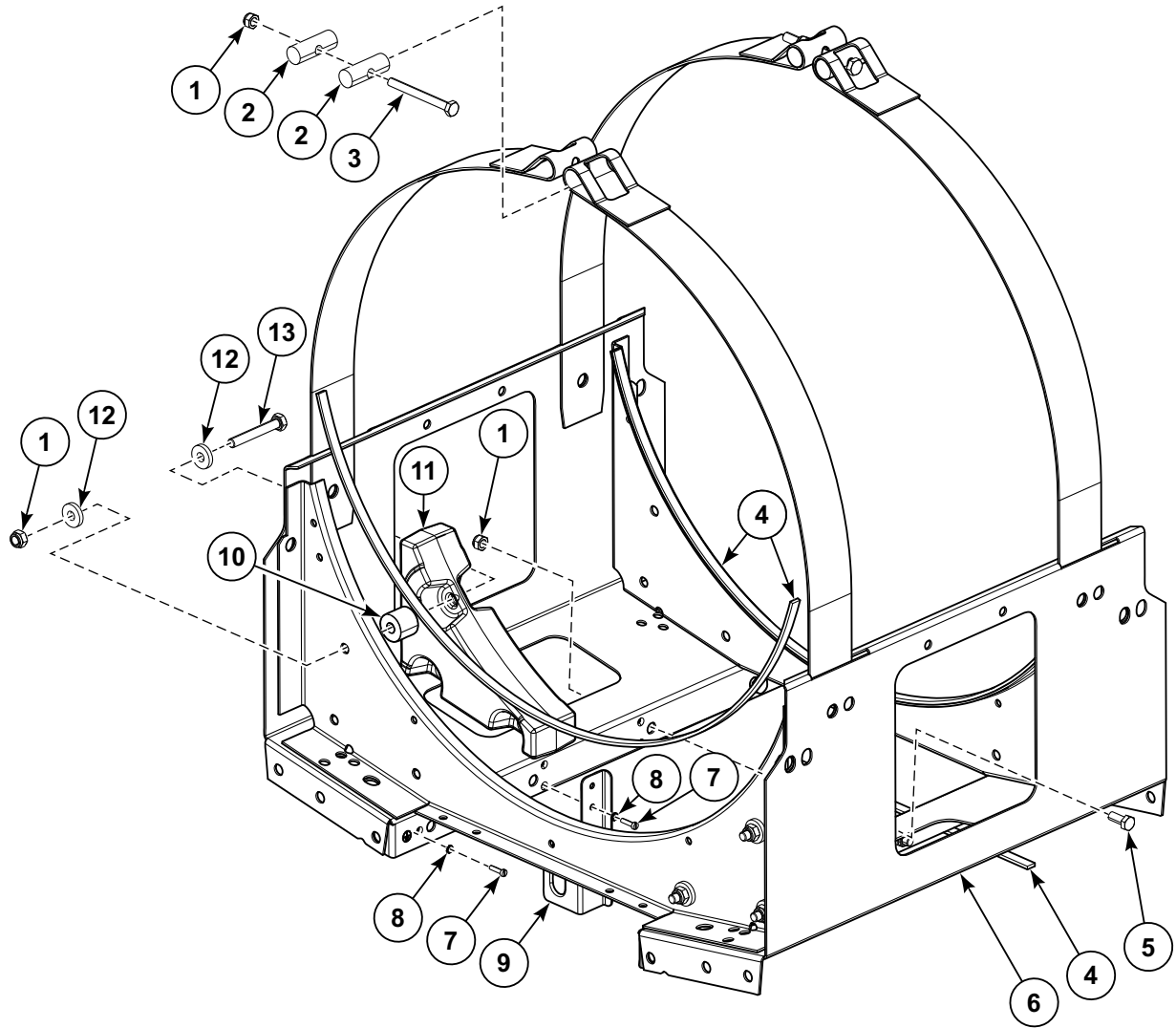


CFD3558P_D1617

Logo Label

REF	PART NO.	DESCRIPTION	COMMENTS
1	572486	Label	Lion Logo
2	576337	Label	Located on top inside of door; AF and NY models
3	572487	Label	Softwash

Upper Frame

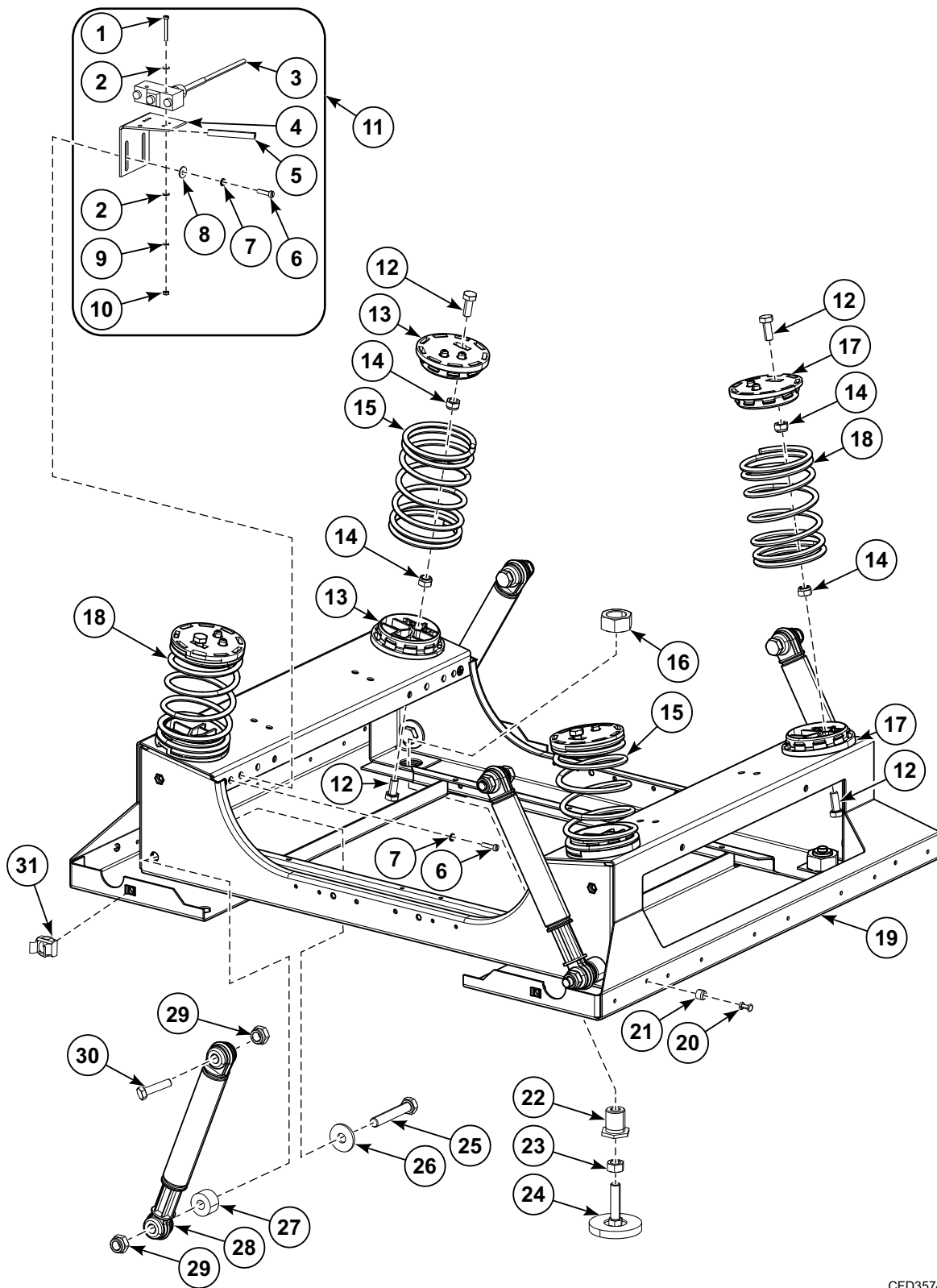


CZW113P_D1617

Upper Frame

REF	PART NO.	DESCRIPTION	COMMENTS
	SP245704003021	Adhesive	Used with external tub for fastening into frame
1	SP310985000008	Nut	M8
2	SP533738	Cover Strip Pin	
3	SP309933000880	Bolt	M8x80
4	SP517232	Seal	
5	SP309933000820	Bolt	M8x20
6	SP533886	Upper Frame	
7	SP309084000416	Bolt	M4x16
8	SP311679800004	Washer	M4
9	SP533388	Oscillation Limiter	
10	SP557472	Distance Case	
11	SP533753	Lower Weight	
12	SP525284	Washer	M8
13	521895	Bolt	M8x55

Lower Frame



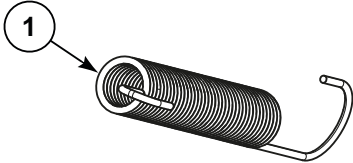
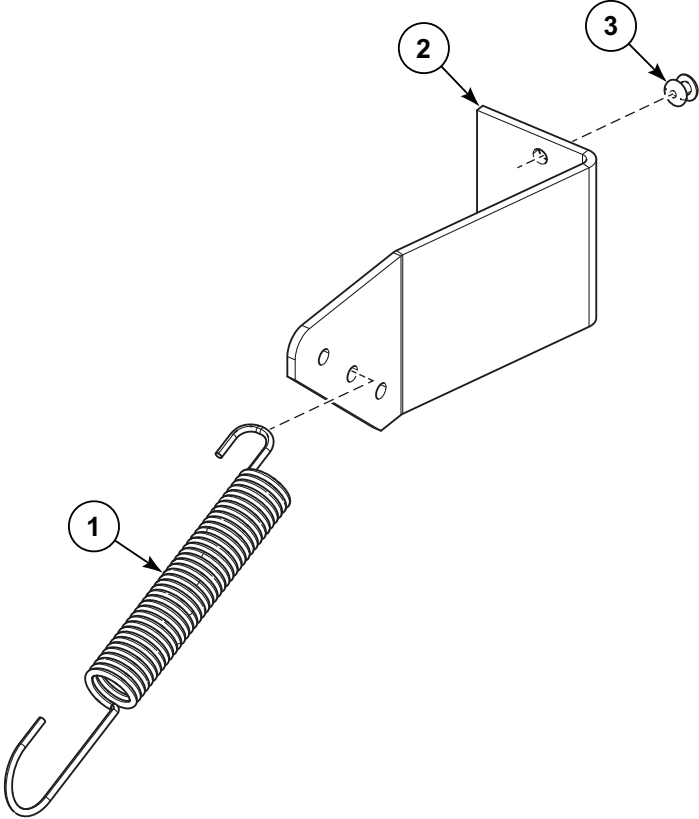
CFD3574P_D1617

Lower Frame

REF	PART NO.	DESCRIPTION	COMMENTS
1	SP309084240325	Bolt	M3x25
2	SP311125000003	Washer	3.2
3	SP528309	Microswitch	Includes spring
4	SP533387	Vibration Switch Holder	
5	SPPRI505000058	Profiled Sealing	Through Serial No. 65FX016070SW
6	SP309084000416	Bolt	M4x16; Models Through 13 December 2022
	SP529206	Screw	4x11; Models Starting 14 December 2022
7	SP311679800004	Washer	M4; Models Through 13 December 2022
8	SP311902100004	Washer	M4 - 4.3/12/1; Models Through 13 December 2022
9	SP311679800003	Washer	M3
10	SP310934000003	Nut	M3
11	SP533391	Vibration Switch Assembly	Includes items 1-10
12	SP309933000820	Bolt	M8x20
13	SP534978	Spring Holder	Left
14	SP310985000008	Nut	M8
15	SP533876	Spring	Left
16	SP310934000020	Nut	M20
17	SP534977	Spring Holder	Right
18	SP533875	Spring	Right
19	SP533881	Lower Frame	
20	SP547779	Rivet	4x16.7
21	SP520408	Pin Insertion	
22	SP533726	Bolt	
23	SP310934000010	Nut	M10
24	SPPRI504000001	Adjustable Foot	
25	SP506432	Bolt	M10x60
26	SP311902100010	Washer	10
27	SP533727	Roller	
28	SP533715	Damper	4 required
29	SP310985000010	Nut	M10
30	SP527420	Bolt	M10x40
31	SP510923	Nut	M6

Stabilizing Springs - AF Non-Brand, H, HY, IY, LP, NY, SY and UY Models

Models with A, D, F, I, J, R, T or X in 7th position of the model number



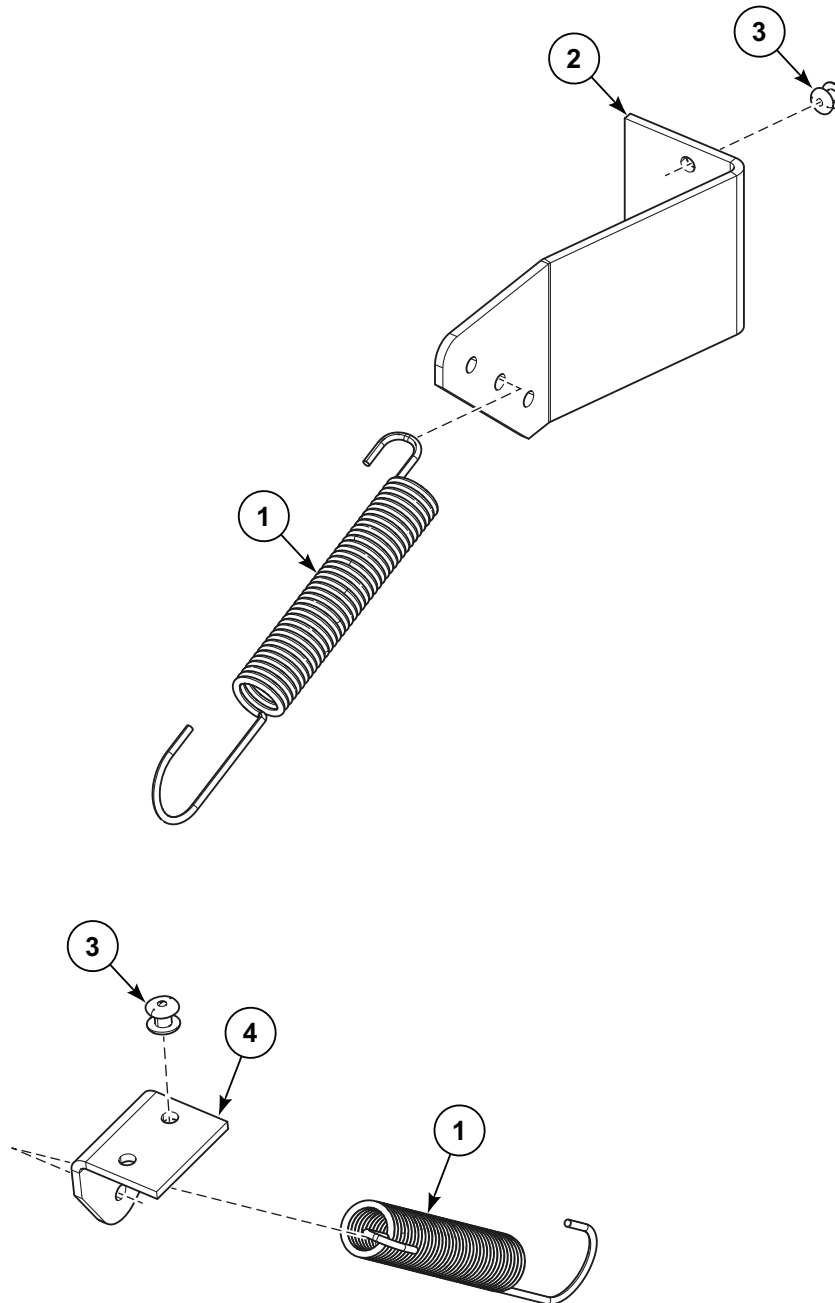
CZW417P_D1617

Stabilizing Springs - AF Non-Brand, H, HY, IY, LP, NY, SY and UY Models

REF	PART NO.	DESCRIPTION	COMMENTS
1	SP505372	Spring	
2	SP555517	Rear Spring Holder	
3	505479	Rivet	4x8

Stabilizing Springs - AF, FX, HX, LY, PY, QW, SW and W Models

Models with T or X in 7th position of the model number



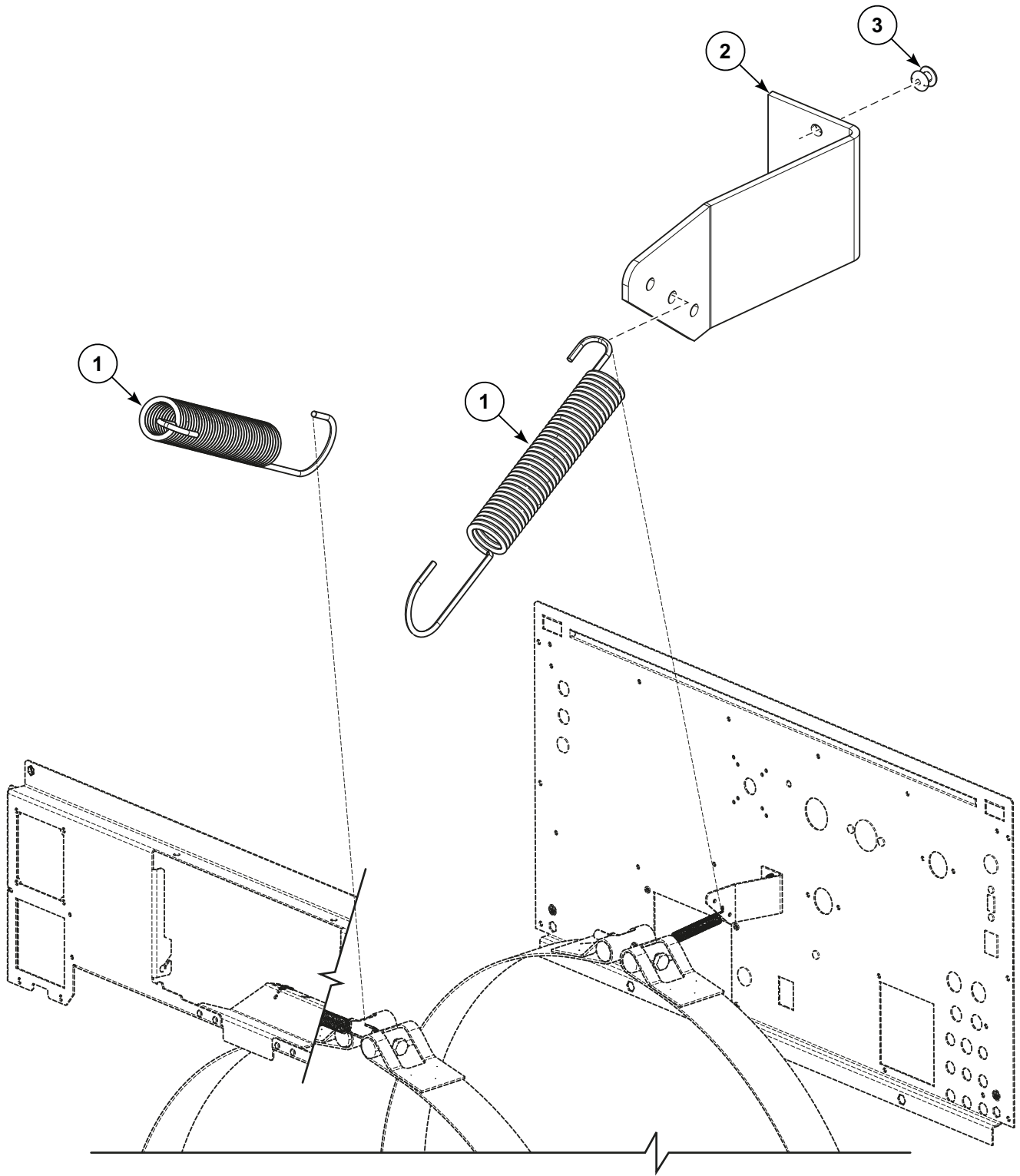
CZW418P_D1617

Stabilizing Springs - AF, FX, HX, LY, PY, QW, SW and W Models

REF	PART NO.	DESCRIPTION	COMMENTS
1	SP505372	Spring	
2	SP555517	Rear Spring Holder	
3	505479	Rivet	4x8
4	SP555516	Front Spring Holder	

Stabilizing Springs - AF, IY, J and NY Models

Models with V in 7th position of the model number or models with G, H, J or K in 13th position of the model number



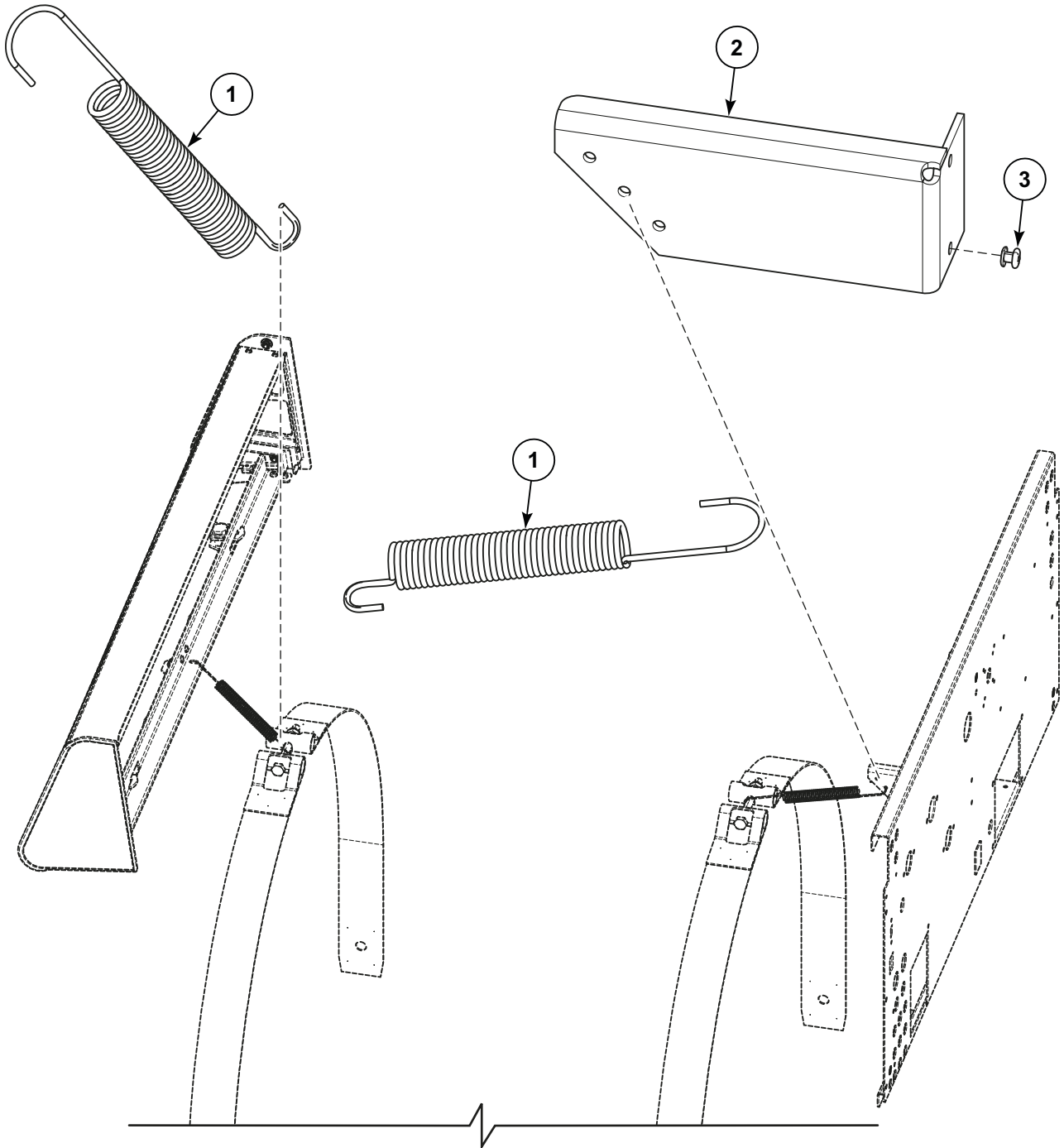
CZW419P_D1617

Stabilizing Springs - AF, IY, J and NY Models

REF	PART NO.	DESCRIPTION	COMMENTS
1	SP505372	Spring	
2	SP555517	Rear Spring Holder	
3	505479	Rivet	4x8

Stabilizing Springs

FX and PY models with V or G in 7th position of the model number
IY, NY, SY and UY models with G in 7th position of the model number



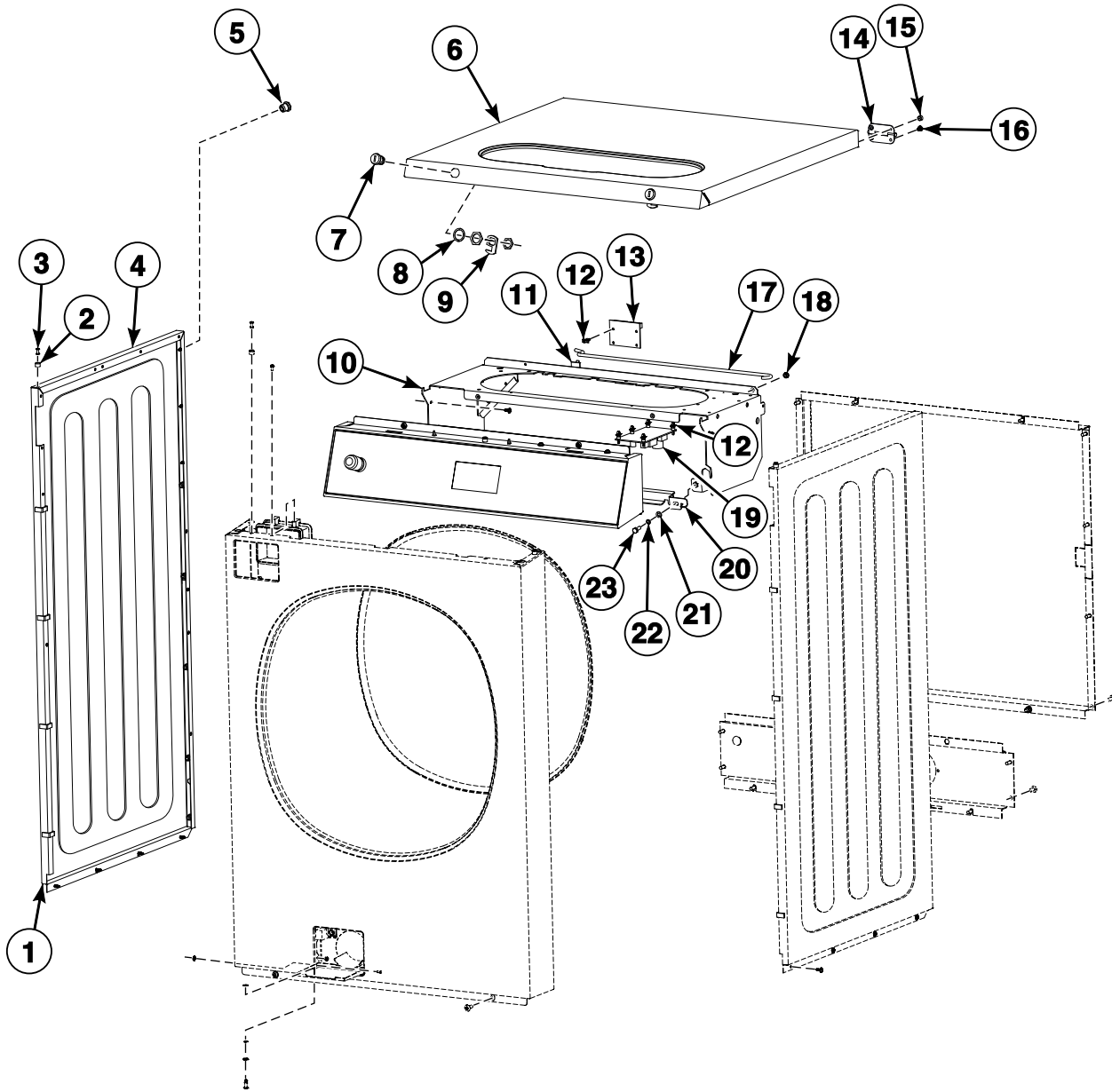
CZW420P_D1617

Stabilizing Springs

REF	PART NO.	DESCRIPTION	COMMENTS
1	SP505372	Spring	
2	SP555517	Rear Spring Holder	
3	505479	Screw	4x8

Cabinet - AF Non-Brand, HY, LP, NY, SY and UY Models (Drawing 1 of 2)

Models with A, D, F, I, T or X in 7th position of the model number



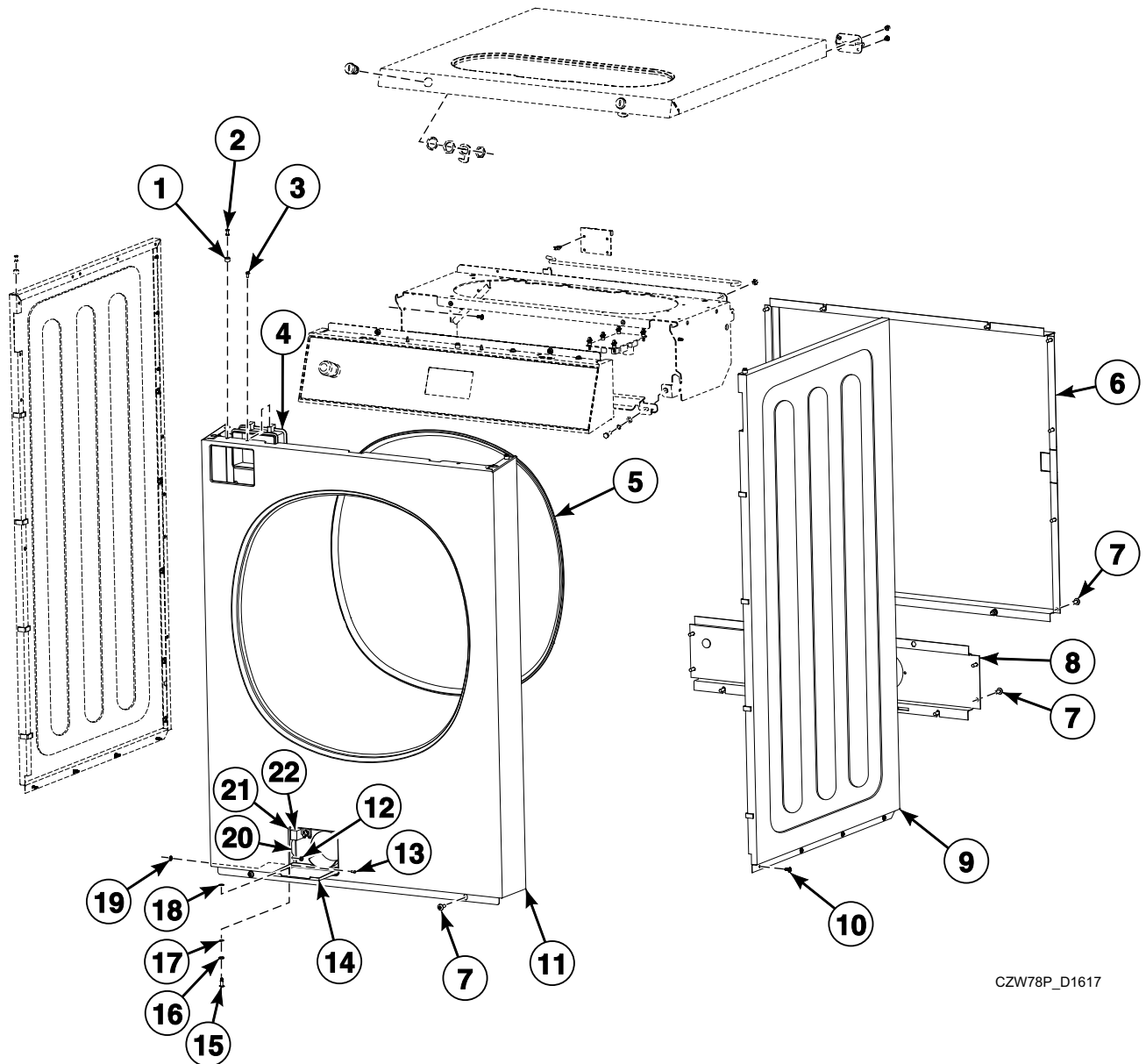
CFS1955P_D1617

Cabinet - AF Non-Brand, HY, LP, NY, SY and UY Models (Drawing 1 of 2)

REF	PART NO.	DESCRIPTION	COMMENTS
1	SP517232	Seal	
2	SP520408	Pin Insertion	
3	SP547779	Rivet	4x16.7
4	SP558917	Side Panel	Left; Stainless
	563520	Side Panel	AF Non-Brand, LP and NY models; Left; Painted
5	SP313251000006	Nut	M6
6	SP558921	Top Cover	
	567883	Top Cover	Without soap hopper opening
7	SP547527	Lock	
	SP550616	Key	Used with SP547527 Lock
8	SPPRI522000012	Washer	21x27x1
9	SPPRI610002007	Hook Lock	Small
10	SP557603	Panel Holder	
11	SPPRI551016250	Hook	Stick-on
12	SPPRI326002004	Holder	
13	SP545238	Automatic Unlocking Module Assembly	MC6; Includes item 11, SP547004 Automatic Door Opening Module, SP345000160971 Binding Strip and SP545235 Door Timer Wiring
14	SP516832	Hinge	
15	SP313250048008	Rivet	4.8x8
16	SP529206	Screw	4x11
17	SP550133	Upper Lid Prop	
18	SP273121005052	Cable Passage	5x2
19	SP552489	Automatic Unlocking Module Assembly	MC7; Includes item 11, SP553406 Automatic Door Opening Module, SP345000160971 Binding Strip, SP552455 Automatic Door Opening Module Wiring and SP552381 Power Terminal Protection
20	SP558879	Reinforcement	
21	SP311125000006	Washer	6.4
22	SP311127000006	Washer	6
23	SP309933000616	Bolt	M6x16

Cabinet - AF Non-Brand, HY, LP, NY, SY and UY Models (Drawing 2 of 2)

Models with A, D, F, I, T or X in 7th position of the model number



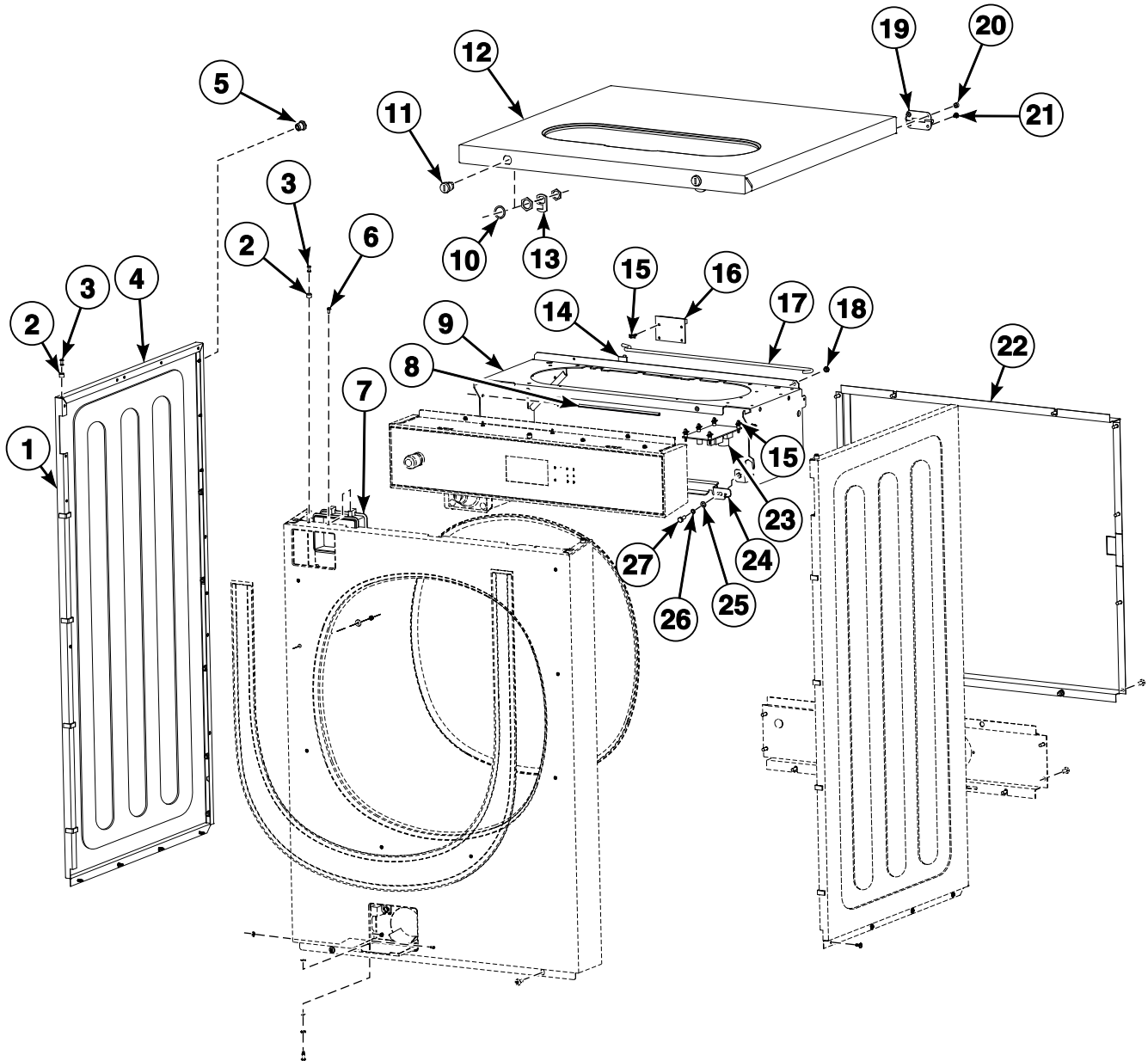
CZW78P_D1617

Cabinet - AF Non-Brand, HY, LP, NY, SY and UY Models (Drawing 2 of 2)

REF	PART NO.	DESCRIPTION	COMMENTS
1	SP520408	Pin Insertion	
2	SP547779	Rivet	4x16.7
3	SP309084000408	Bolt	M4x8
4	SP533103	Coin Vault Plate	
5	SP529068	Edge Protection	
6	SP533111	Rear Cover	
7	SP555658	Bolt	M6x16
8	SP533381	Lower Rear Cover	
9	SP558919	Side Panel	Right; Stainless
	563522	Side Panel	AF Non-Brand, LP and NY models; Right; Painted
10	SP529206	Screw	4x11
11	SP547748	Front Panel	OPL; Stainless
	SP547750	Front Panel	Vended; Stainless
	SP554243	Front Panel	OPL with drain pump; Stainless
	SP554245	Front Panel	Vended with drain pump; Stainless
	563450	Front Panel	AF Non-Brand, LP and NY models; OPL; Patined
	563452	Front Panel	AF Non-Brand, LP and NY models; Vended; Painted
	563454	Front Panel	AF Non-Brand, LP and NY models; OPL with drain pump; Painted
	563456	Front Panel	AF Non-Brand, LP and NY models; Vended with drain pump; Painted
	550446	Washer	Not sliding accessories
12	SP313250004063	Rivet	4x6.3
13	SP521706	Rivet	3x8
14	SP521511	Drain Pump Cover	Used with SP527021 Washer
15	SP527084	Bolt	
16	SP527087	Washer	
17	SP527086	Spring	
18	SP527085	Ring	
19	SPPRI247000013	Washer	
20	SP521553	Drain Cover	
21	SP527088	Profile	
22	SP527083	Latch	

Cabinet - H, IY and WMA Models (Drawing 1 of 2)

Models with J or R in 7th position of the model number without G, H, J, or K in 13th position of the model number



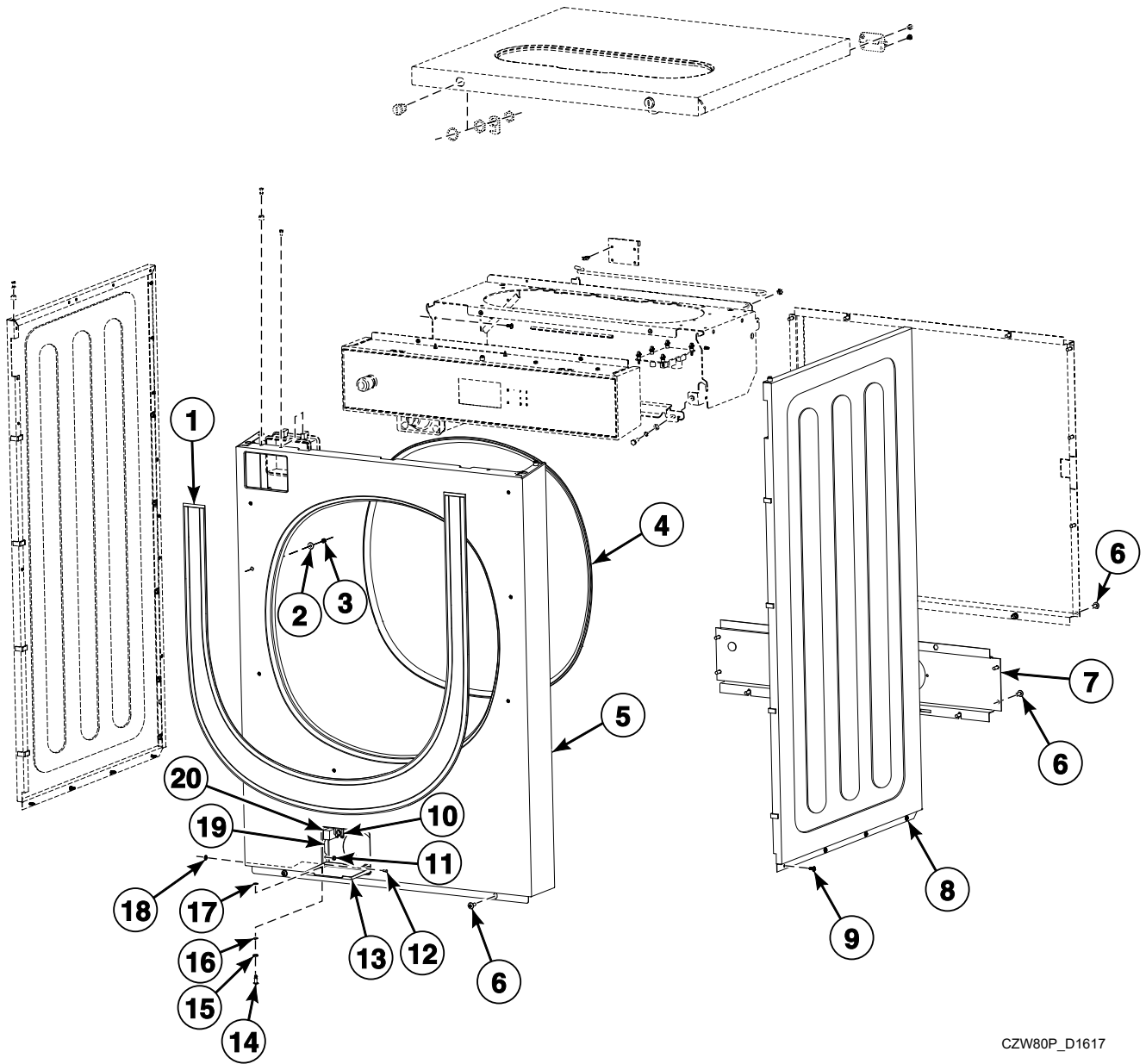
CFS1956P_D1617

Cabinet - H, IY and WMA Models (Drawing 1 of 2)

REF	PART NO.	DESCRIPTION	COMMENTS
1	SP517232	Seal	
2	SP520408	Pin Insertion	
3	SP547779	Rivet	4x16.7
4	SP558917	Side Panel	Stainless; Left
	SP558996	Side Panel	Black; Left
5	SP313251000006	Nut	M6
6	SP309084000408	Bolt	M4x8
7	SP533103	Coin Vault Plate	
8	SPPRI505000058	Profiled Sealing	Through Serial No. 65FX011031KZ
9	SP560301	Panel Holder	
10	SPPRI522000012	Washer	21x27x1
11	SP547527	Lock	
	SP550616	Key	Used with SP547527 Lock
12	SP558966	Top Cover	
13	SPPRI610002007	Hook Lock	Small
14	SPPRI551016250	Hook	Stick-on
15	SPPRI326002004	Holder	
16	SP545238	Automatic Unlocking Module Assembly	MC6; Includes item 14, SP547004 Automatic Door Opening Module, SP345000160971 Binding Strip and SP545235 Door Timer Wiring
17	SP533341	Upper Lid Prop	
18	SP273121005052	Cable Passage	5x2
19	SP516832	Hinge	
20	SP313250048008	Rivet	4.8x8
21	SP529206	Screw	
22	SP533111	Rear Cover	
23	SP552489	Automatic Unlocking Module Assembly	MC7; Includes item 14, SP553406 Automatic Door Opening Module, SP345000160971 Binding Strip, SP552455 Automatic Door Opening Module Wiring and SP552381 Power Terminal Protection
24	SP558943	Reinforcement	
25	SP311125000006	Washer	6.4
26	SP311127000006	Washer	6
27	SP309933000616	Bolt	M6x16

Cabinet - H, IY and WMA Models (Drawing 2 of 2)

Models with J or R in 7th position of the model number without G, H, J, or K in 13th position of the model number



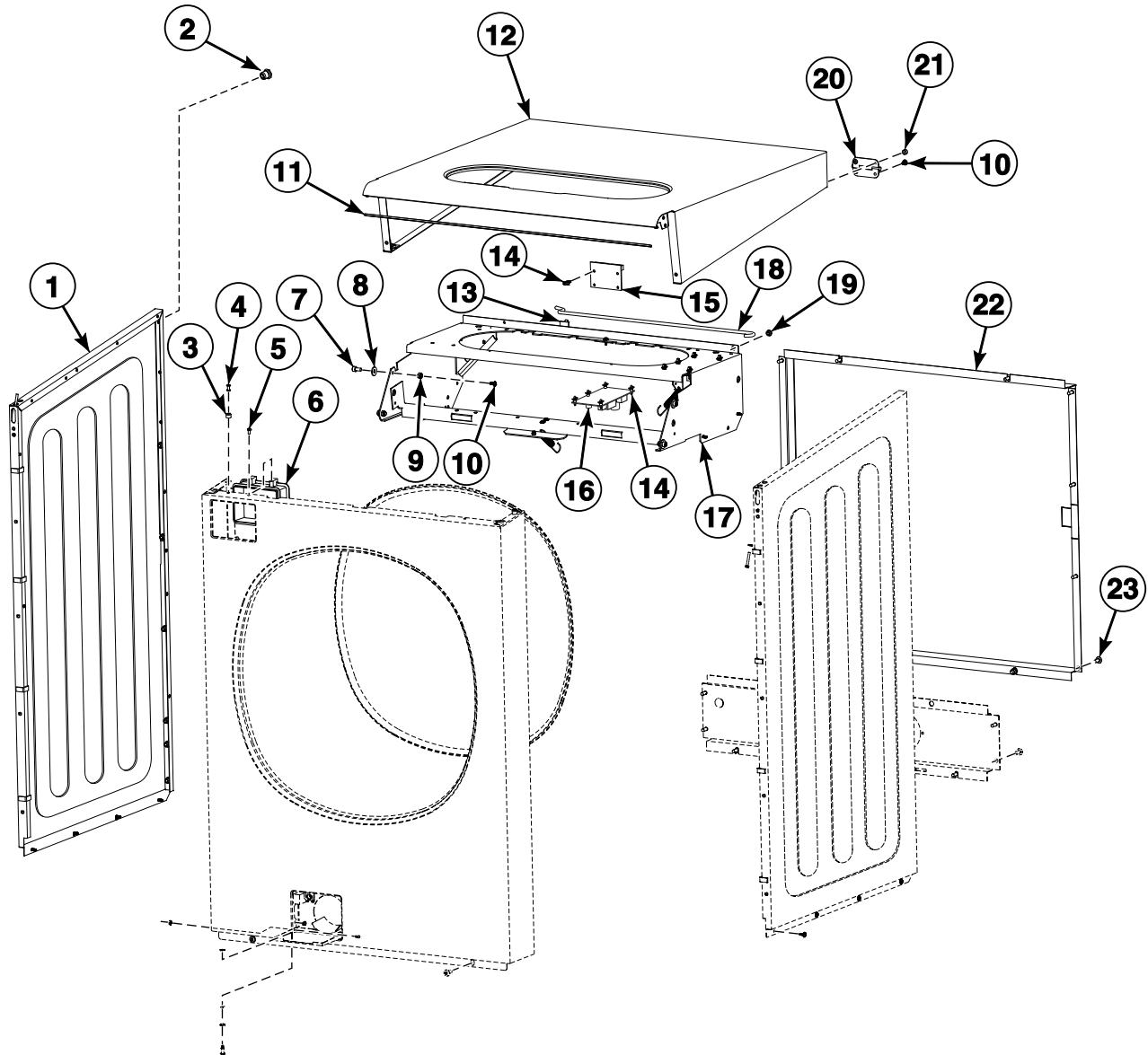
CZW80P_D1617

Cabinet - H, IY and WMA Models (Drawing 2 of 2)

REF	PART NO.	DESCRIPTION	COMMENTS
1	SP556991	U Shape	OPL
	SP556992	U Shape	Vended
2	SP311902100004	Washer	M4
3	SP514193	Nut	M4
4	SP529068	Edge Protection	
5	SP557052	Front Panel	OPL; Stainless
	SP557053	Front Panel	Vended; Stainless
	SP557054	Front Panel	OPL with drain pump; Stainless
	SP557055	Front Panel	Vended with drain pump; Stainless
	550446	Washer	Not sliding accessories
6	SP555658	Bolt	M6x16
7	SP533381	Lower Rear Cover	
8	SP558919	Side Panel	Stainless; Right
	SP558998	Side Panel	Black; Right
9	SP529206	Screw	
10	SP527083	Latch	
11	SP313250004063	Rivet	4x6.3
12	SP521706	Rivet	3x8
13	SP521511	Drain Pump Cover	Used with SP527021 Washer
14	SP527084	Bolt	
15	SP527087	Washer	
16	SP527086	Spring	
17	SP527085	Ring	
18	SPPRI247000013	Washer	
19	SP521553	Drain Cover	
20	SP527088	Profile	15x30

Cabinet - AF, FX, HX, LY, PY, QW, SW and W Models (Drawing 1 of 2)

Models with T or X in 7th position of the model number



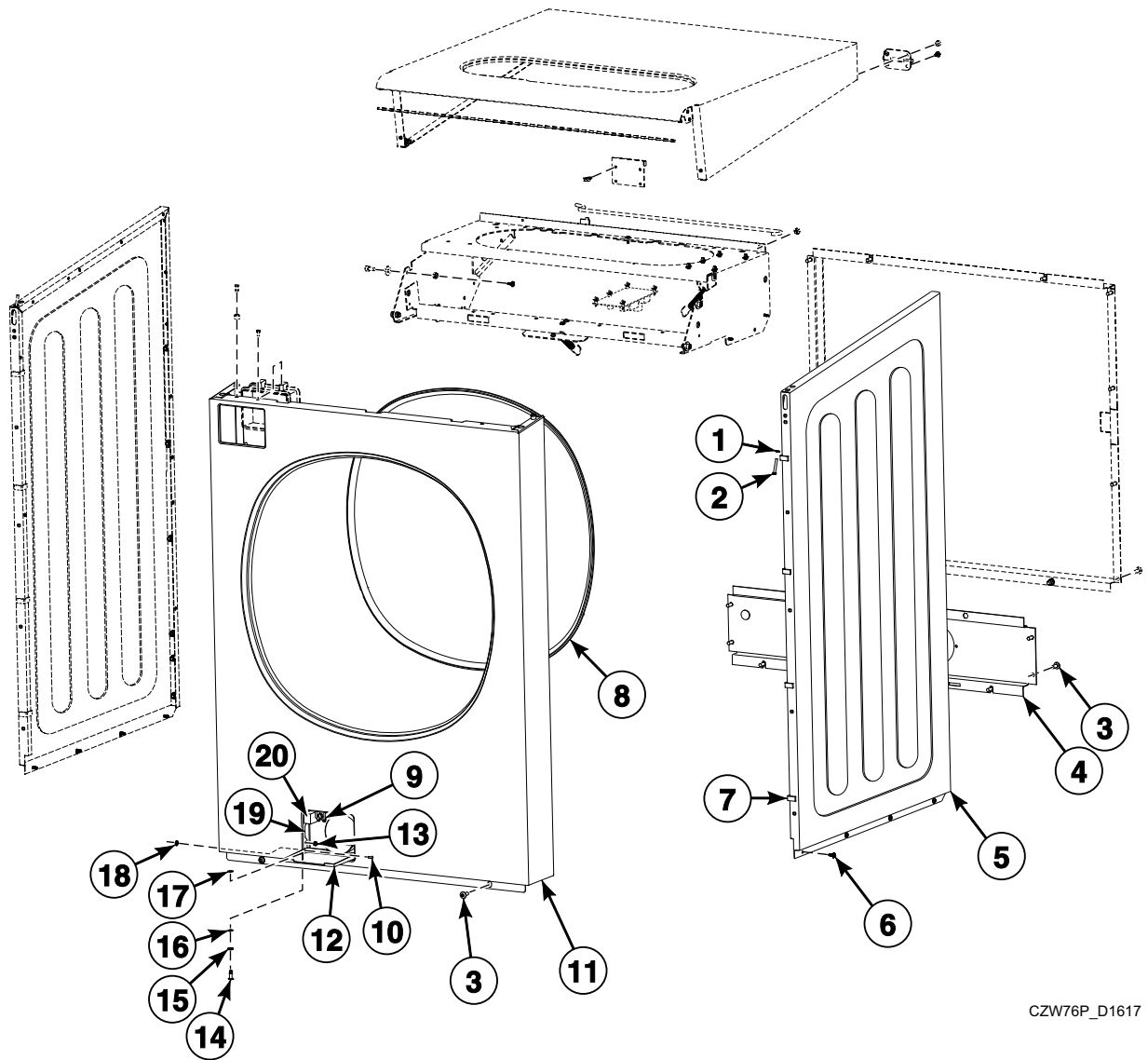
CFS1957P_D1617

Cabinet - AF, FX, HX, LY, PY, QW, SW and W Models (Drawing 1 of 2)

REF	PART NO.	DESCRIPTION	COMMENTS
1	SP550334	Side Panel	Painted; Left; Through Serial No. 65FX004687FD
	563488	Side Panel	Painted; Left; Starting Serial No. 65FX004688FD
	SP550358	Side Panel	Stainless; Left
2	SP313251000006	Nut	M6
3	SP520408	Pin Insertion	
4	SP547779	Rivet	4x16,7
5	SP309084000408	Bolt	M4x8
6	SP533103	Coin Vault Plate	
7	SP506431	Bolt	M6x12
8	SP311902100006	Washer	6
9	SP310985000006	Nut	M6
10	SP529206	Screw	4x11
11	SP284000012003	Tape	
12	SP550311	Top Cover	
	SP551996	Top Cover	Without soap hopper opening
13	SPPRI551016250	Hook	Stick-on
14	SPPRI326002004	Holder	
15	SP545238	Automatic Unlocking Module Assembly	MC6; Includes item 13, SP547004 Automatic Door Opening Module, SP345000160971 Binding Strip and SP545235 Door Timer Wiring
16	SP552489	Automatic Unlocking Module Assembly	MC7; Includes item 13, SP553406 Automatic Door Opening Module, SP345000160971 Binding Strip, SP552455 Automatic Door Opening Module Wiring and SP552381 Power Terminal Protection
17	SP533257	Panel Holder	
18	SP550133	Upper Lid Prop	
19	SP273121005052	Cable Passage	5x2
20	SP516832	Hinge	
21	SP555658	Bolt	M6x16
22	SP533111	Rear Cover	
23	SP313250048008	Rivet	4,8x8

Cabinet - AF, FX, HX, LY, PY, QW, SW and W Models (Drawing 2 of 2)

Models with T or X in 7th position of the model number



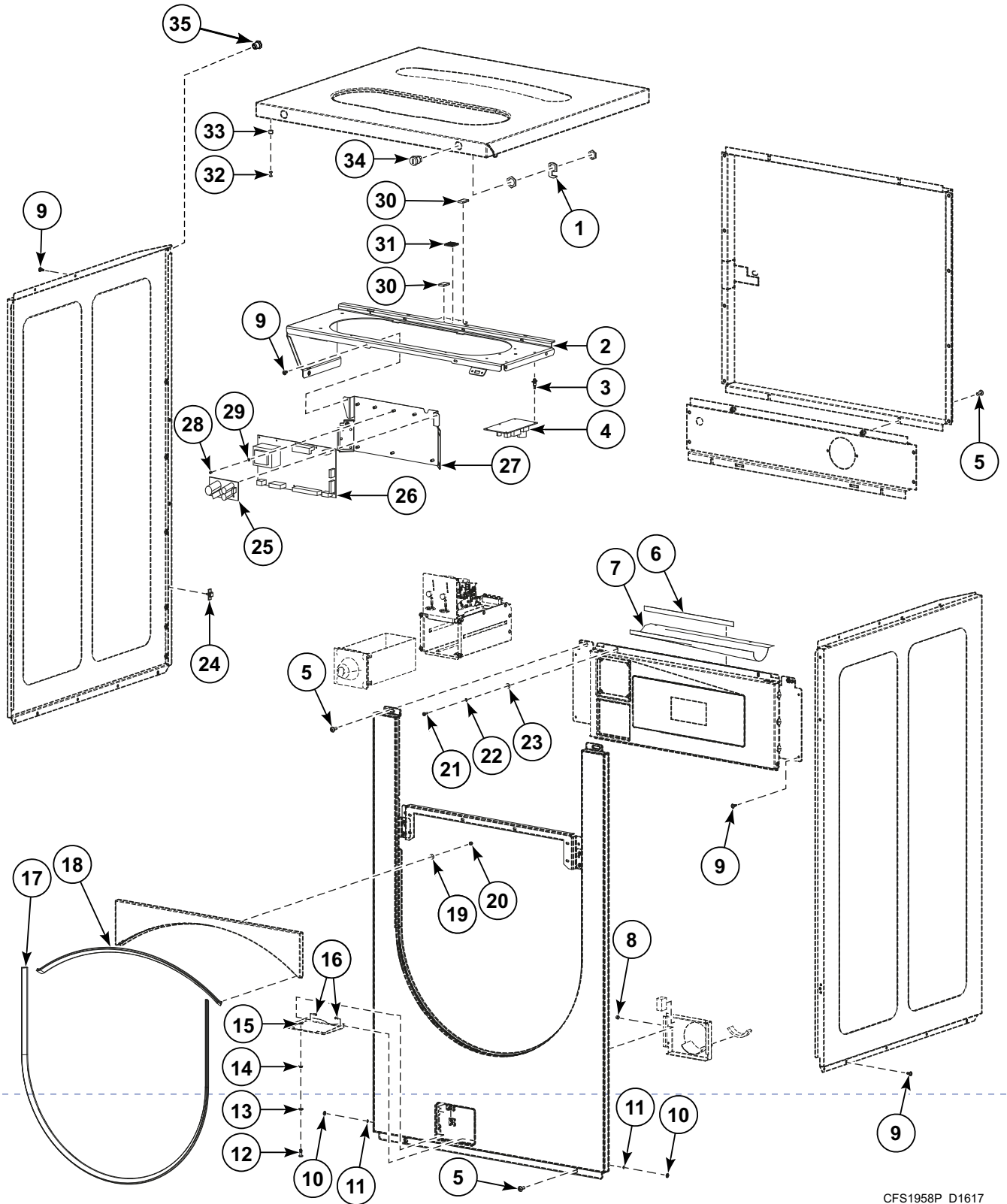
CZW76P_D1617

Cabinet - AF, FX, HX, LY, PY, QW, SW and W Models (Drawing 2 of 2)

REF	PART NO.	DESCRIPTION	COMMENTS
	SP552455	Automatic Door Opening Module Wiring	
1	SP311679800004	Washer	M4
2	SP550482	Bolt	M4x25
3	SP555658	Bolt	M6x16
4	SP533381	Lower Rear Cover	
5	SP550336	Side Panel	Painted; Right; Through Serial No. 65FX004687FD
	563490	Side Panel	Painted; Right; Starting Serial No. 65FX004688FD
	SP550360	Side Panel	Stainless; Right
6	SP529206	Screw	4x11
7	SP517232	Seal	
8	SP529068	Edge Protection	
9	SP527083	Latch	
10	SP521706	Rivet	3x8
11	SP547740	Front Panel	OPL; Painted; Through Serial No. 65FX004687FD
	563450	Front Panel	OPL; Painted; Starting Serial No. 65FX004688FD
	SP547742	Front Panel	Vended; Painted; Through Serial No. 65FX004687FD
	563452	Front Panel	Vended; Painted; Starting Serial No. 65FX004688FD
	SP547748	Front Panel	OPL; Stainless
	SP547750	Front Panel	Vended; Stainless
	SP554256	Front Panel	OPL; With drain pump; Painted; Through Serial No. 65FX004687FD
	563454	Front Panel	OPL; With drain pump; Painted; Starting Serial No. 65FX004688FD
	SP554258	Front Panel	Vended; With drain pump; Painted; Through Serial No. 65FX004687FD
	563456	Front Panel	Vended; With drain pump; Painted; Starting Serial No. 65FX004688FD
	SP554243	Front Panel	OPL; With drain pump; Stainless
	SP554245	Front Panel	Vended; With drain pump; Stainless
	550446	Washer	Not sliding accessories
12	SP521511	Drain Pump Cover	Used with SP527021 Washer
13	SP313250004063	Rivet	4x6.3
14	SP527084	Bolt	
15	SP527087	Washer	
16	SP527086	Spring	
17	SP527085	Ring	
18	SPPRI247000013	Washer	
19	SP521553	Drain Cover	
20	SP527088	Profile	15x30

Cabinet - AF, IY, J and NY Models (Drawing 1 of 3)

Models with V in 7th position of the model number or models with G, H, J or K in 13th position of the model number



CFS1958P_D1617

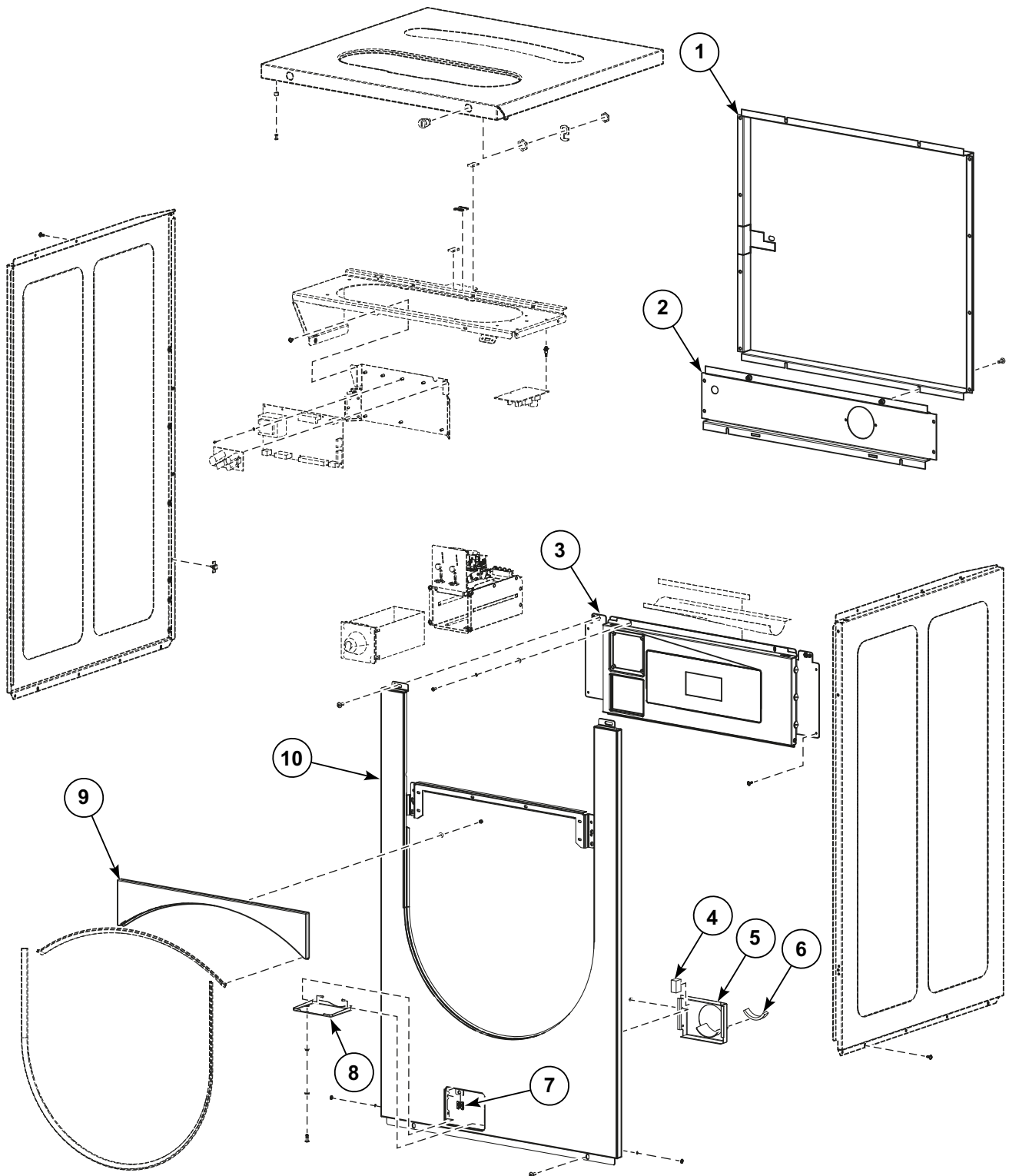
Cabinet - AF, IY, J and NY Models (Drawing 1 of 3)

REF	PART NO.	DESCRIPTION	COMMENTS
1	SPPRI610002007	Hook Lock	
2	569573	Panel Holder	
3	SPPRI326002004	Holder	
4	SP552489	Automatic Unlocking Module Assembly	MC7; Includes item 3, SP553406 Automatic Door Opening Module, SP345000160971 Binding Strip, SP552455 Automatic Door Opening Module Wiring and SP552381 Power Terminal Protection
5	SP555658	Bolt	M6x16
6	SP537896	Adhesive	Reversible
7	569656	Cover	
8	SP313250004063	Rivet	4x6.3
9	SP529206	Screw	4x11
10	PRI247000013	Washer	
11	SP527021	Washer	
12	SP527084	Bolt	
13	SP527087	Washer	
14	SP527086	Spring	
15	SP527085	Ring	
16	SP521706	Rivet	3x8
17	SP529068	Edge Protection	1.31m
18	SP529068	Edge Protection	0.59m
19	SP311902100004	Washer	4
20	SP514193	Nut	M4
21	SP555504	Bolt	M4x12
22	SP311127000004	Washer	4
23	SP311902100004	Washer	M4
24	SP528313	Cable Holder	
25	N/A	Module	Door Lock
26	SP553405	Control Board I/O	MC7; Power
	553444	Control Board I/O	MC10; Power; Used with 569701 Interconnection Flat Cable
27	569578	Programmer Holder	Includes SPPRI212000055 Nut
28	SP309798500306	Bolt	M3x6
29	SP311679800003	Washer	M3
30	564202	Seal	0.05m
31	SP550115	Fastener	
32	SP547779	Rivet	
33	SP520408	Pin Insertion	
34	SP547527	Lock	includes Nuts - 2pieces
35	SP313251000006	Nut	M6

N/A = Part no longer available

Cabinet - AF, IY, J and NY Models (Drawing 2 of 3)

Models with V in 7th position of the model number or models with G, H, J or K in 13th position of the model number



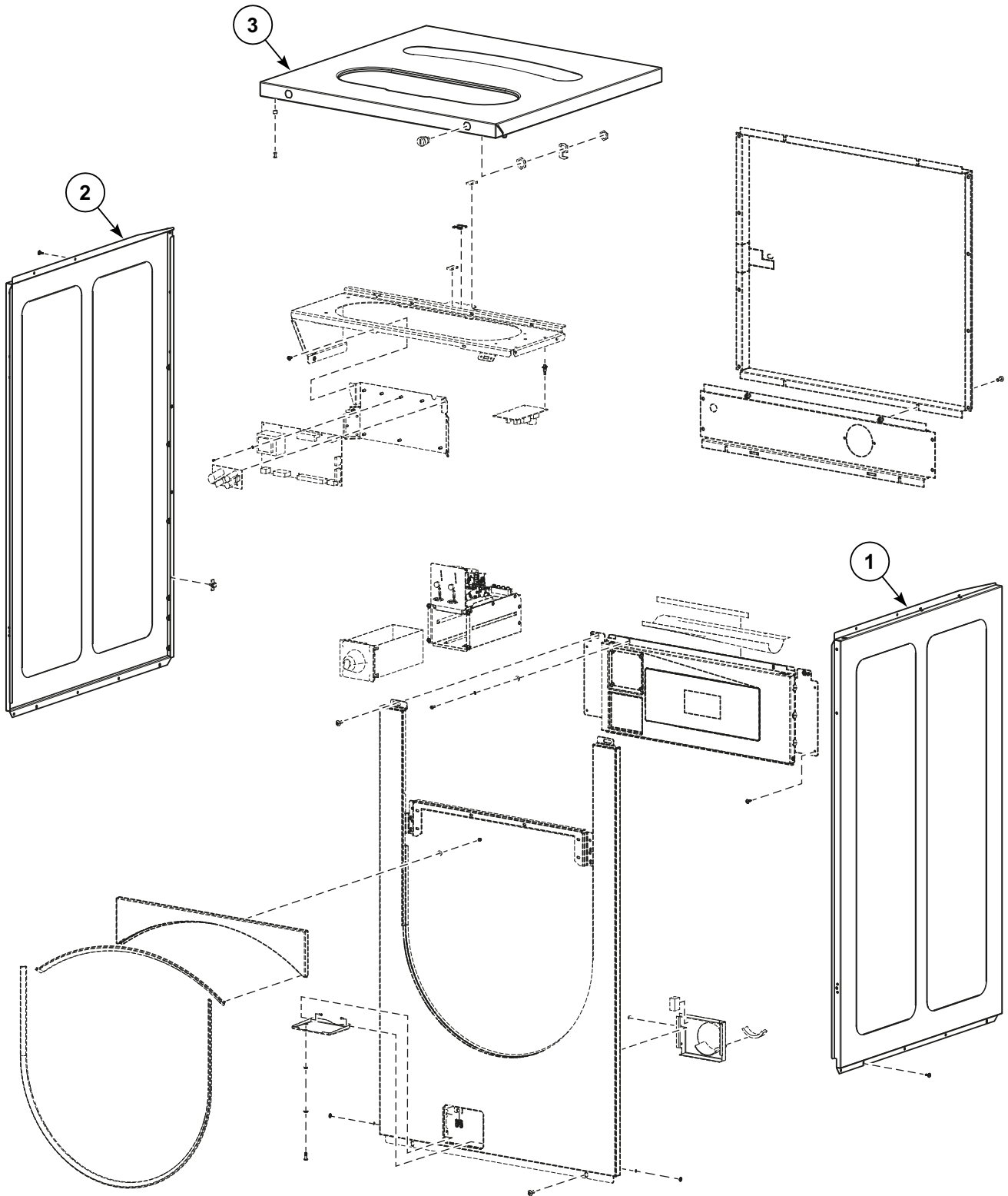
CZW280P_D1617

Cabinet - AF, IY, J and NY Models (Drawing 2 of 3)

REF	PART NO.	DESCRIPTION	COMMENTS
1	570467	Rear Cover	
2	SP533381	Lower Rear Cover	
3	573004	Control Panel Frame	
4	SP527088	Profile	15x30
5	SP521553	Drain Cover	
6	522450	Profile	15x6
7	SP527083	Latch	
8	SP521511	Drain Pump Cover	
9	573012	Front Cover	Stainless steel
	SP564362	Front Cover	Black
10	571025	Front Panel	Stainless steel; With opening for drain pump
	571028	Front Panel	Stainless
	574090	Front Panel	AF and NY models; Gray
	574089	Front Panel	AF and NY models; Gray; With opening for drain pump
	550446	Washer	Not sliding accessories

Cabinet - AF, IY, J and NY Models (Drawing 3 of 3)

Models with V in 7th position of the model number or models with G, H, J or K in 13th position of the model number



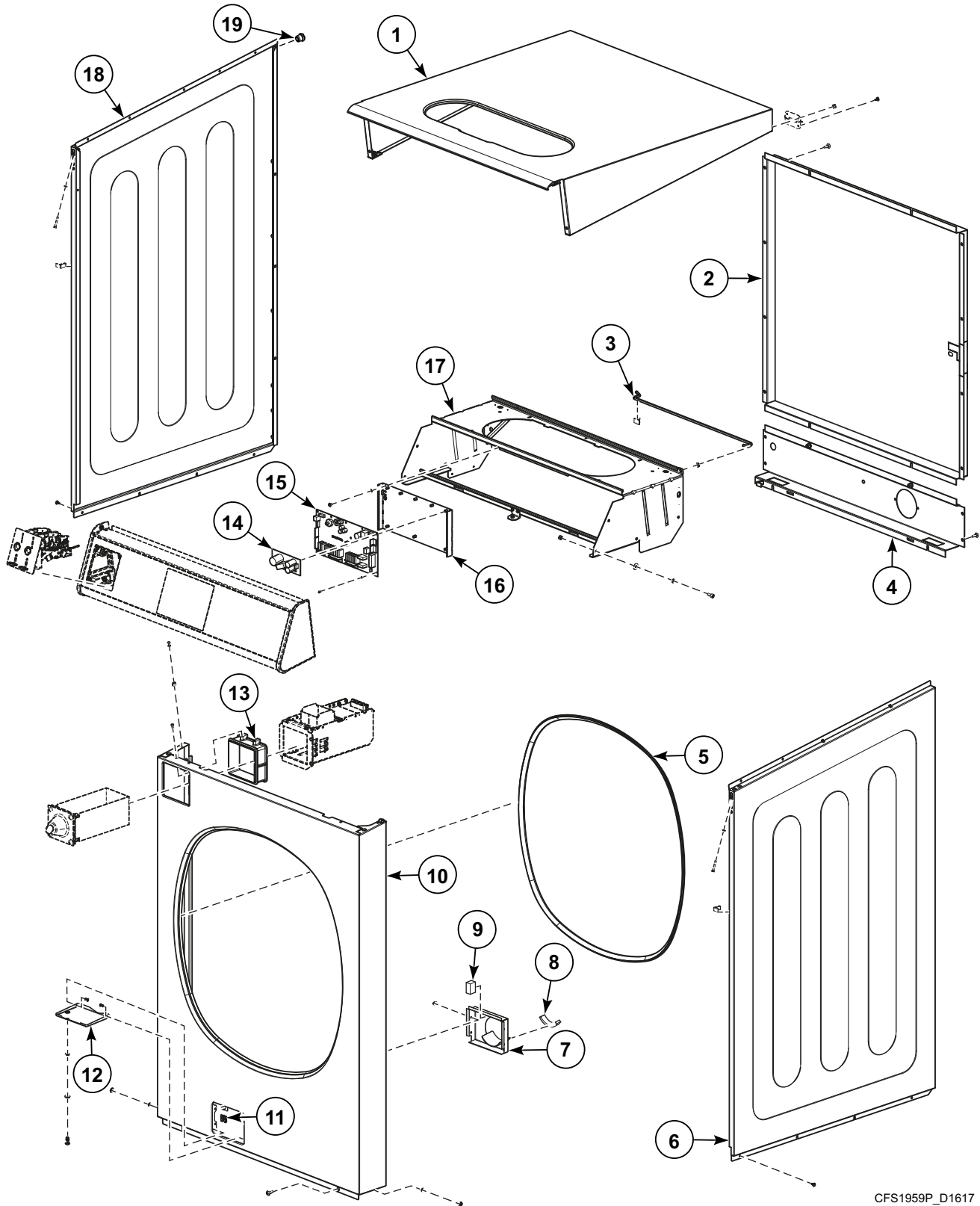
CZW303P_D1617

Cabinet - AF, IY, J and NY Models (Drawing 3 of 3)

REF	PART NO.	DESCRIPTION	COMMENTS
1	572004	Side Panel	Stainless; Right; Includes SP313251000006 Nut
	573036	Side Panel	IY and J models; Black; Right; Includes SP313251000006 Nut
	574058	Side Panel	AF and NY models; Gray; Right; Includes SP313251000006 Nut
2	572003	Side Panel	Stainless; Left; Includes SP313251000006 Nut
	573034	Side Panel	IY and J models; Black; Left; Includes SP313251000006 Nut
	574057	Side Panel	AF and NY models; Gray; Left; Includes SP313251000006 Nut
3	569623	Top Cover	Includes SP547527 Lock, SP550616 Key, SPPRI610002007 Hook Lock, SP520408 Pin Insertion, SP547779 Rivet and SP550115 Fastener
	569641	Top Cover	Without soap hopper opening, Includes SP547527 Lock, SP550616 Key, SPPRI610002007 Hook Lock, SP520408 Pin Insertion, SP547779 Rivet and SP550115 Fastener

Cabinet - FX and PY Models (Drawing 1 of 2)

Models with V in 7th position of the model number



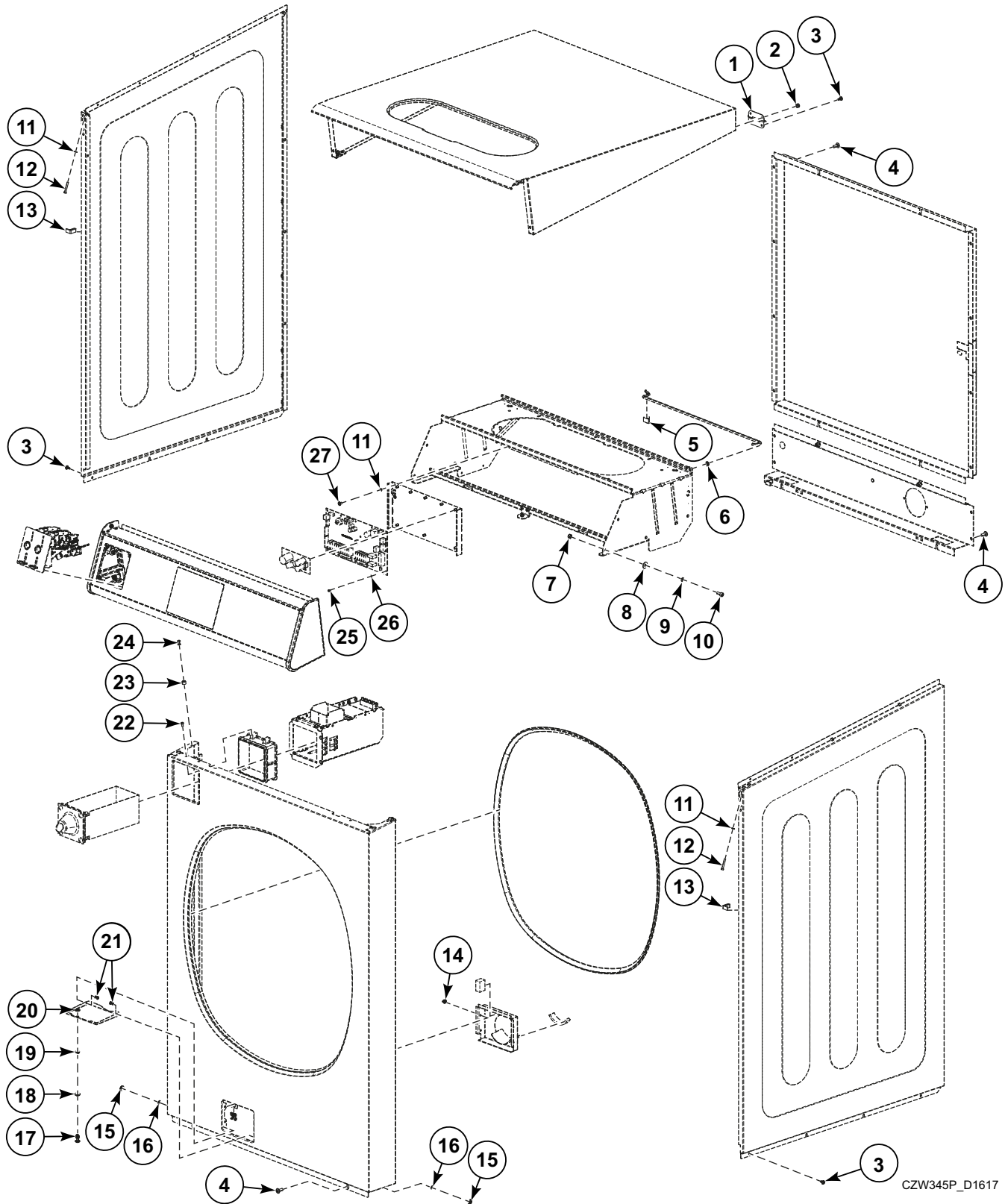
CFS1959P_D1617

Cabinet - FX and PY Models (Drawing 1 of 2)

REF	PART NO.	DESCRIPTION	COMMENTS
1	572573	Top Cover	
	574250	Top Cover	Without soap hopper opening
2	570467	Rear Cover	
3	SP550133	Upper Lid Prop	
4	SP533381	Lower Rear Cover	
5	SP529068	Edge Protection	1.795m
6	572591	Side Panel Assembly	Painted; Right
	572590	Side Panel Assembly	Stainless; Right
7	SP521553	Drain Cover	
8	SP522450	Profile	
9	SP527088	Profile	15x30
10	572531	Front Panel	OPL; Painted
	572525	Front Panel	Vended; Painted
	572532	Front Panel	OPL; Painted; With opening for drain pump
	572533	Front Panel	Vended; Painted; With opening for drain pump
	572526	Front Panel	OPL; Stainless
	572527	Front Panel	Vended; Stainless
	572529	Front Panel	OPL; Stainless; With opening for drain pump
	572528	Front Panel	Vended; Stainless; With opening for drain pump
	550446	Washer	Not sliding accessories
11	SP527083	Latch	
12	SP521511	Drain Pump Cover	
13	566737	Coin Vault Plate	
14	553189	Module	Door Lock
15	553444	Control Board I/O	MC10; Power; Used with 569701 Interconnection Flat Cable
16	573934	Programmer Holder	Includes 527279 Nut
17	573938	Panel Holder	
18	572595	Side Panel Assembly	Painted; Left
	572594	Side Panel Assembly	Stainless; Left
19	SP313251000006	Nut	M6

Cabinet - FX and PY Models (Drawing 2 of 2)

Models with V in 7th position of the model number



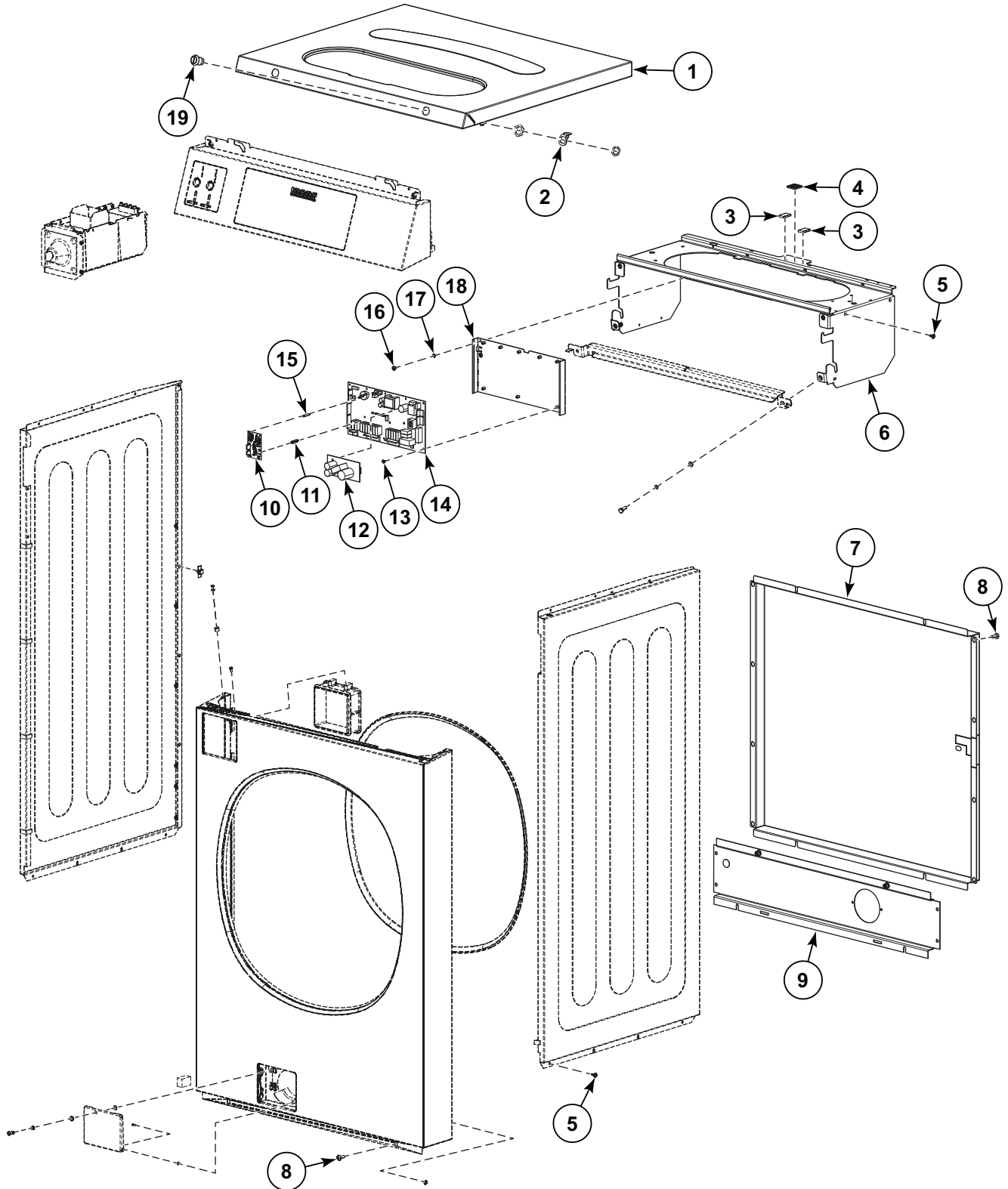
CZW345P_D1617

Cabinet - FX and PY Models (Drawing 2 of 2)

REF	PART NO.	DESCRIPTION	COMMENTS
1	SP516832	Hinge	
2	SP313250048103	Rivet	
3	SP529206	Screw	4x11
4	SP555658	Bolt	M6x16
5	SPPRI551016250	Hook	Stick-on
6	SP273121005052	Cable Passage	5.5x2
7	SP310985000006	Nut	M6
8	SP311902100006	Washer	6
9	576338	Washer	
10	SP506431	Bolt	M6x12
11	SP311679800004	Washer	M4
12	SP550482	Bolt	M4x25
13	SP517232	Seal	
14	SP313250004063	Rivet	4x6.3
15	SPPRI247000013	Washer	
16	SP527021	Washer	
17	SP527084	Bolt	
18	SP527087	Washer	
19	SP527086	Spring	
20	SP527085	Ring	
21	SP521706	Rivet	3x8
22	SP309084000408	Bolt	M4x8
23	SP520408	Pin Insertion	
24	SP547779	Rivet	4x16.7
25	SP309798500306	Bolt	M3x6
26	SP311679800003	Washer	M3
27	SP506013	Bolt	M4x8

Cabinet (Drawing 1 of 3)

Models with G in 7th position of the model number



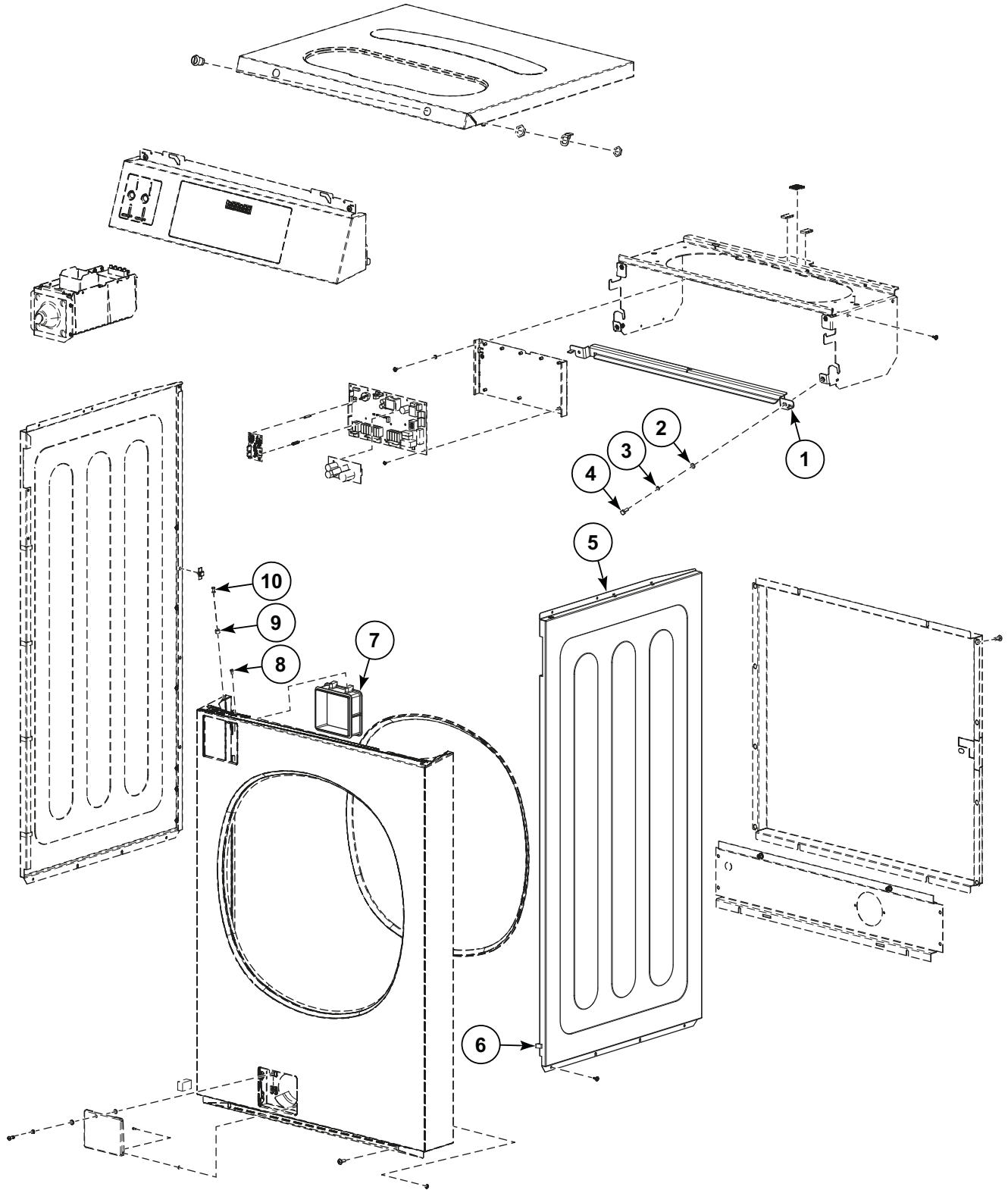
CZW589P_D2408

Cabinet (Drawing 1 of 3)

REF	PART NO.	DESCRIPTION	COMMENTS
1	580670	Top Cover	
	580778	Top Cover	Without soap hopper opening
2	581001	Lock Hook	
3	564202	Seal	0.05m
4	SP550115	Fastener	Velcro (hook and loop)
5	SP529206	Screw	4x11
6	580772	Panel Holder	
7	570467	Rear Cover	
8	555658	Bolt	M6x16
9	533381	Rear Cover	Lower
10	553439	Conversion Board	
11	577693	Plastic Post	
12	553189	Module	Door Lock
13	563123	Bolt	M3x6
14	553444	Control Board I/O	MC10; Power; Used with 569702 Interconnection Flat Cable
15	577689	Plastic Post	
16	SP506013	Bolt	M4x8
17	SP311679800004	Washer	M4
18	573934	Control Board Holder	
19	SP547527	Lock	Requires SP550616 Key

Cabinet (Drawing 2 of 3)

Models with G in 7th position of the model number



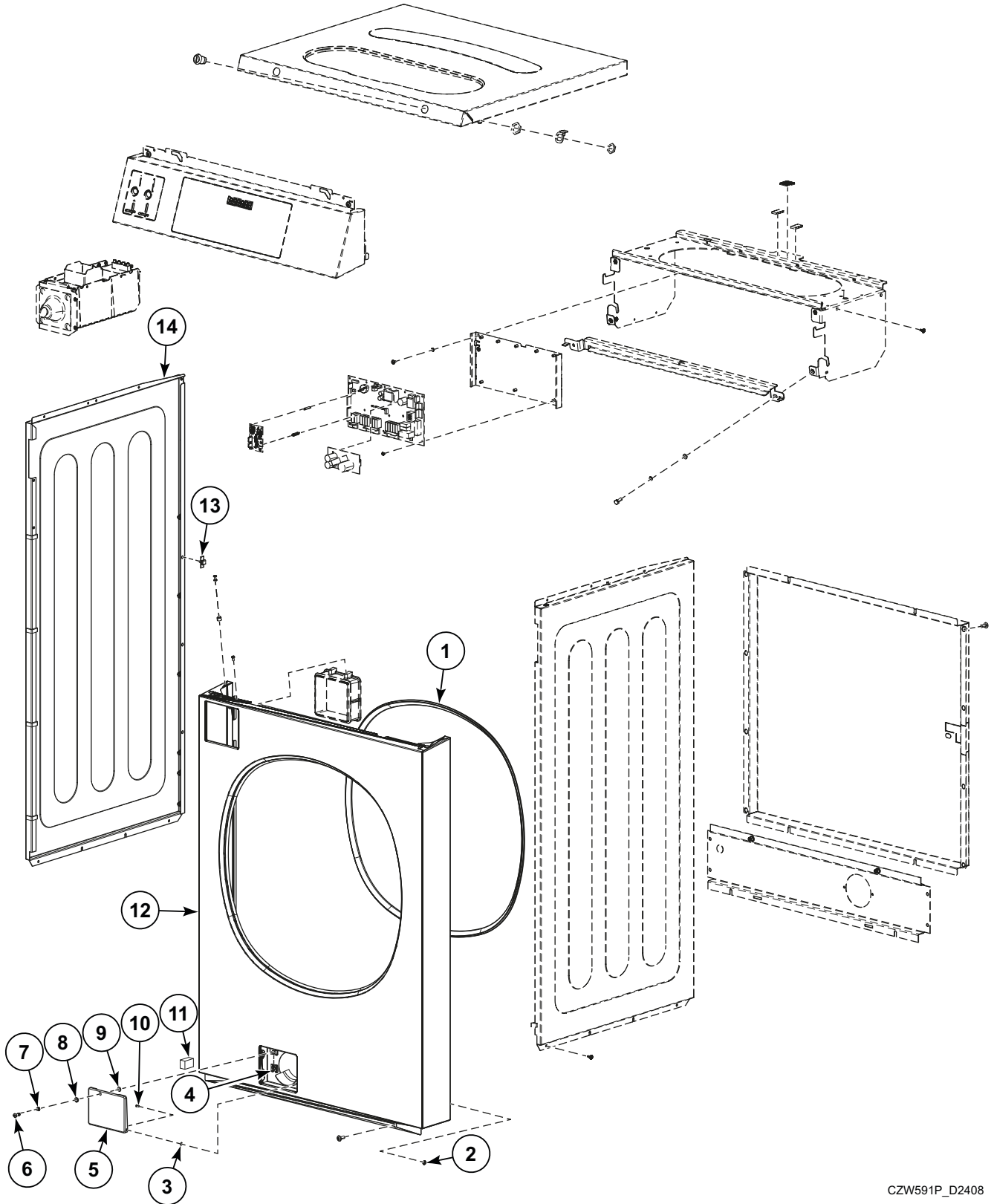
CZW590P_D2408

Cabinet (Drawing 2 of 3)

REF	PART NO.	DESCRIPTION	COMMENTS
1	SP558879	Reinforcement	
2	SP311125000006	Washer	6.4
3	SP311127000006	Washer	6
4	SP309933000616	Bolt	M6x16
5	580693	Side Panel	Right; Stainless steel
	581602	Side Panel	IY models; Right; Black
	580721	Side Panel	AF, FX, NY or PY models; Right; Painted
6	SP517232	Seal	Self-adhesive foam; l=0.36m
7	566737	Coin Vault Plate	
8	SP309084000408	Bolt	M4x8
9	SP520408	Pin Insertion	
10	SP547779	Rivet	4x16.7

Cabinet (Drawing 3 of 3)

Models with G in 7th position of the model number



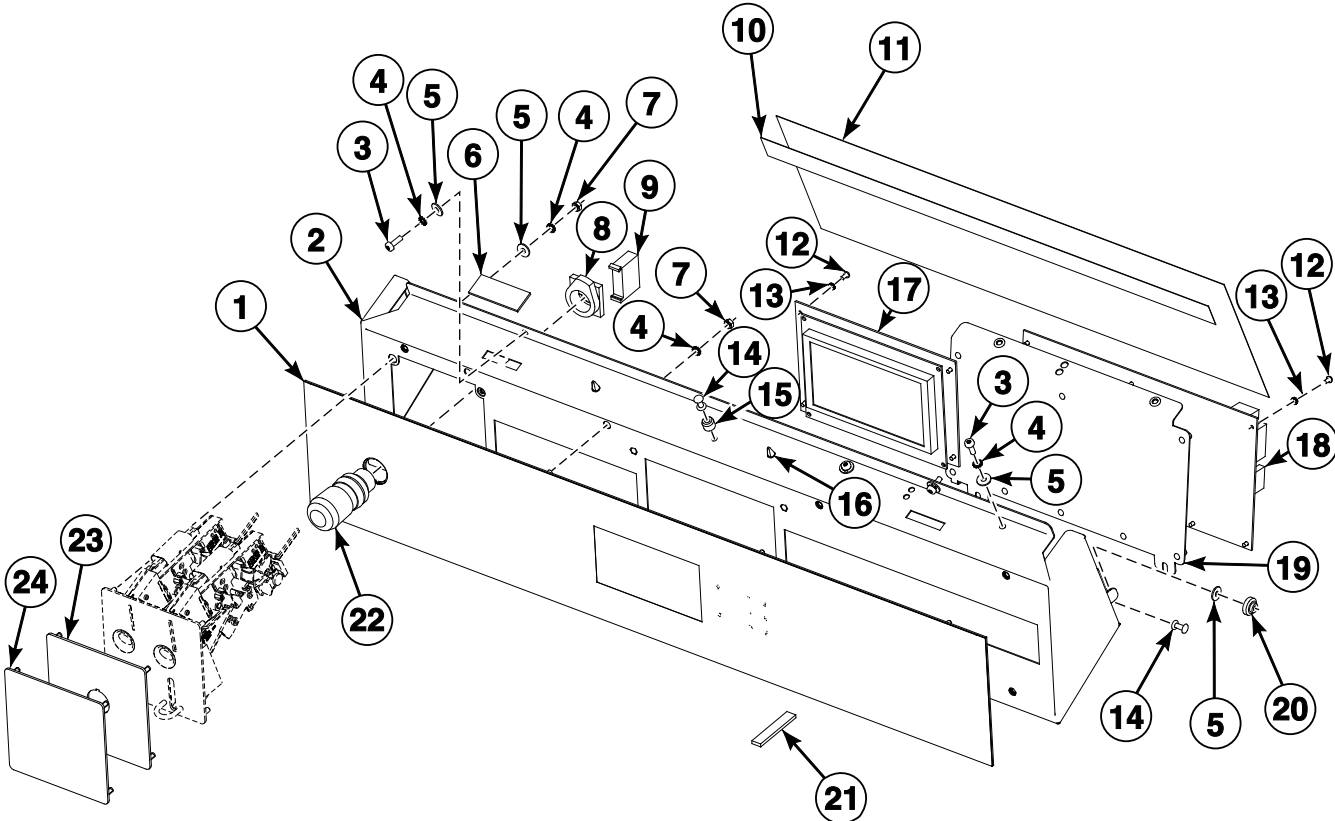
CZW591P_D2408

Cabinet (Drawing 3 of 3)

REF	PART NO.	DESCRIPTION	COMMENTS
1	SP529068	Edge Protection	l=1.8m
2	SPPRI247000013	Washer	
3	SP527021	Washer	M3
4	SP527083	Latch	
5	554260	Drain Pump Cover	
6	SP527084	Bolt	
7	SP527087	Washer	
8	SP527086	Spring	
9	SP527085	Ring	Securing
10	SP521706	Rivet	3x8 with half ball head
11	SP527088	Profile	
12	572526	Front Panel	OPL; Stainless steel
	572527	Front Panel	Vended; Stainless steel
	572531	Front Panel	OPL; Painted
	572525	Front Panel	Vended; Painted
	572529	Front Panel	OPL; With drain pump; Stainless steel
	572528	Front Panel	Vended; With drain pump; Stainless steel
	572532	Front Panel	OPL; With drain pump; Painted
	572533	Front Panel	Vended; With drain pump; Painted
13	SP528313	Cable Holder	
14	580692	Side Panel	Left; Stainless steel
	581601	Side Panel	IY models; Left; Black
	580720	Side Panel	AF, FX, NY or PY models; Left; Painted

Control Panel - AF Non-Brand, HY, LP, NY, SY and UY Models

Models with A, D, F, I, T or X in 7th position of the model number



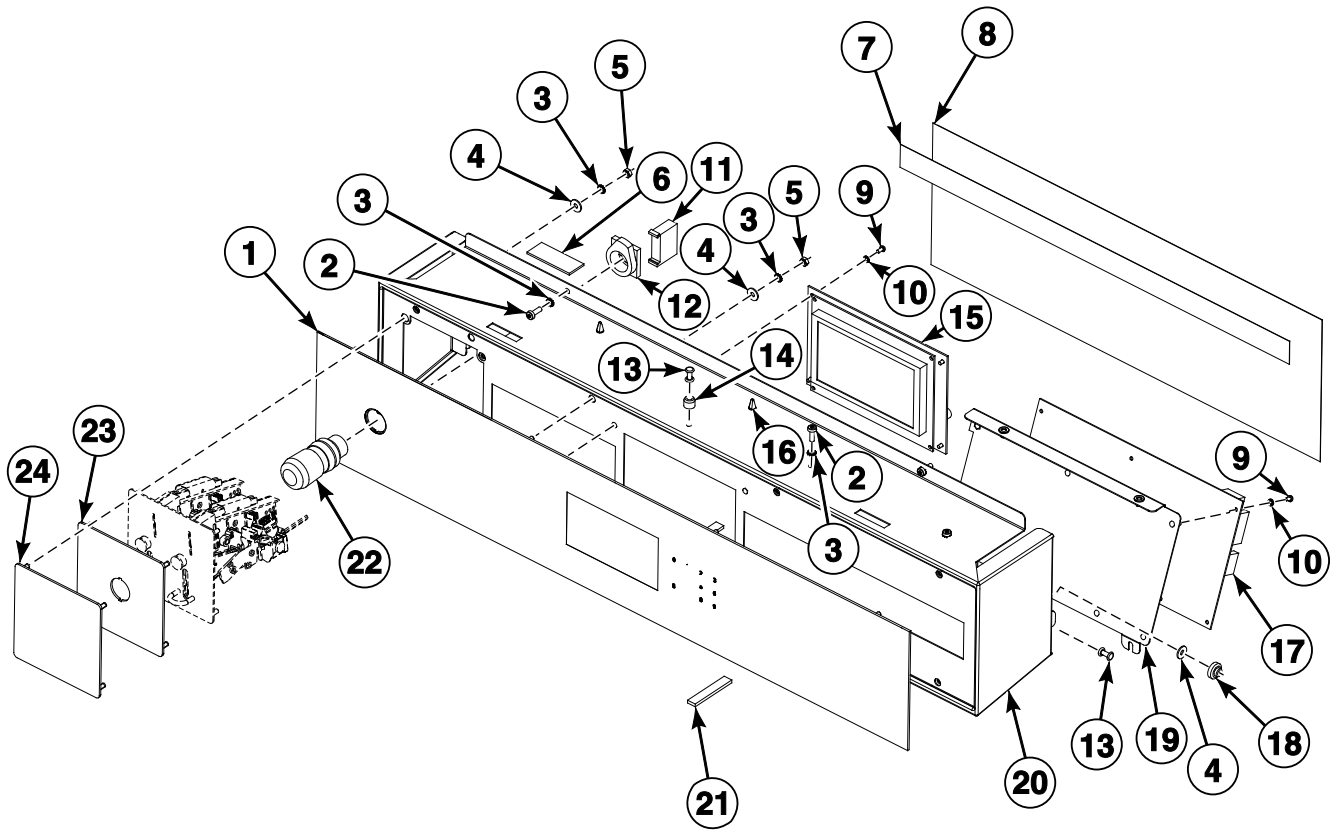
CFD2893P_D1617

Control Panel - AF Non-Brand, HY, LP, NY, SY and UY Models

REF	PART NO.	DESCRIPTION	COMMENTS
	569593	Network Installation Kit	Includes 569595 Holder, 203532 Wireless Network Control Assembly, 568363 Power Supply, 568362 Cable, 568378 Wiring, 568379 Wiring Diagram, SP345000626088 Binding Strip and connection accessories
	F8600501	Programming Cable	
1	SP557579	Keyboard	UY models; OPL
	SP557573	Keyboard	SY models; OPL
	SP557574	Keyboard	SY models; Vended
	SP557582	Keyboard	HY models; OPL
	SP547022	Keyboard	AF Non-Brand, LP and NY models; OPL; Professional; Black
	SP547021	Keyboard	AF Non-Brand, LP and NY models; OPL; Basic; Black
	SP547019	Keyboard	AF Non-Brand, LP and NY models; Vended; Basic; Black
	SP547020	Keyboard	AF Non-Brand, LP and NY models; CPS, Basic, Black
2	SP557599	Control Panel	
3	SP555504	Bolt	M4x12
4	SP311679800004	Washer	M4
5	SP311902100004	Washer	M4
6	SPMEC001410	Self-Adhesive Pad	
7	SP310934000004	Nut	M4
8	SP528311	Emergency Stop Connector	OPL
9	SP528312	Switching Unit	
10	SP510846	Tape	
11	SPPRI543000004	Cover	
12	563123	Bolt	30x6
13	SP311679800003	Washer	M3; Models through 11 May 2022
14	SP547779	Rivet	4x16.7
15	SP520408	Pin Insertion	
16	SP528313	Cable Holder	
17	SP553412	Control Board	MC7; HY, SY and UY models
	SP553411	Control Board	MC7; AF Non-Brand, LP and NY models
18	SP553405	Control Board I/O	MC7
	SP547005	Board Interconnection Cable	
19	SP557616	Programmer Holder	
20	SP550113	Leading Pin	
21	SP284000012003	Tape	
22	SP528310	Emergency Stop Knob	OPL
	SP520032	Emergency Stop Wiring	OPL
	SP520033	Emergency Stop Interconnection	Vended
23	SP558929	Coin Meter Cover Plate	SY models; Black
24	SP558930	CPS Cover Plate	SY models; Black

Control Panel - H, IY and WMA Models (Drawing 1 of 4)

Models with J or R in 7th position of the model number except models with G, H, J or K in 13th position of the model number



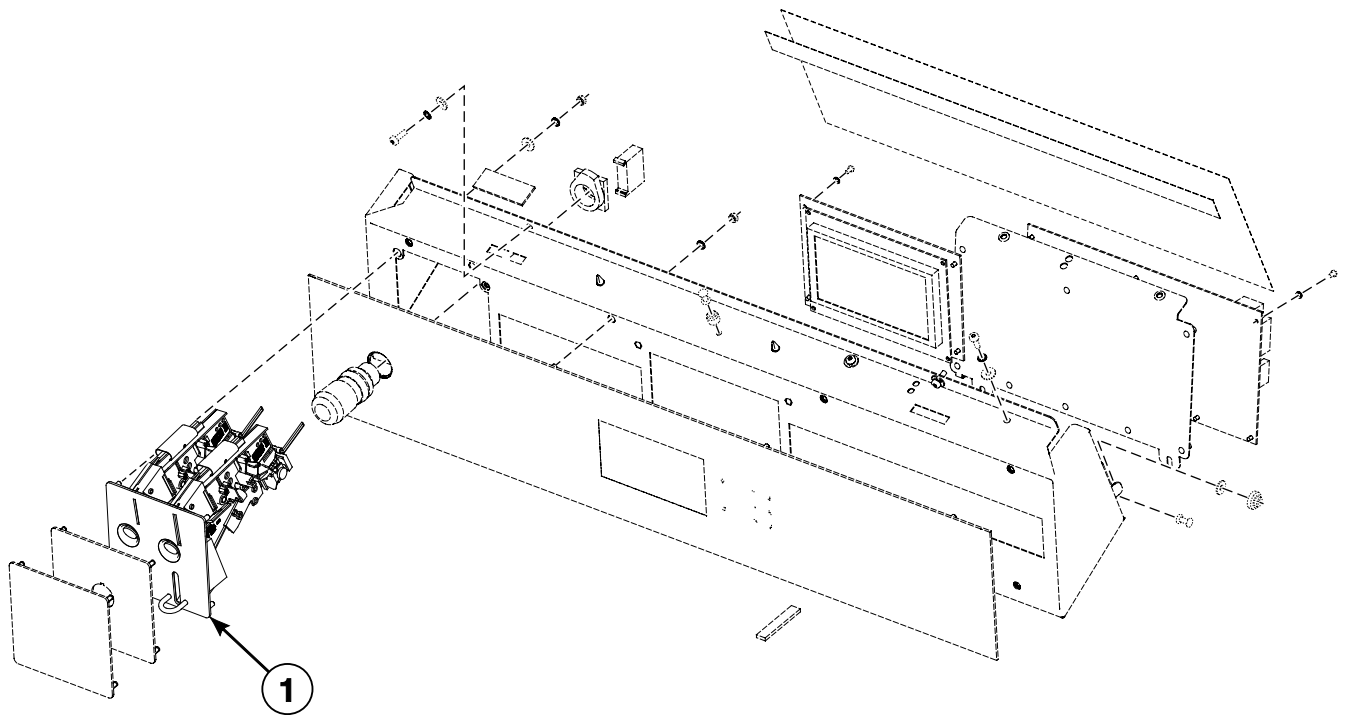
CFD2895P_D1617

Control Panel - H, IY and WMA Models (Drawing 1 of 4)

REF	PART NO.	DESCRIPTION	COMMENTS
	569593	Network Installation Kit	Includes 569595 Holder, 203532 Wireless Network Control Assembly, 568363 Power Supply, 568362 Cable, 568378 Wiring, 568379 Wiring Diagram, SP345000626088 Binding Strip and connection accessories
	F8600501	Programming Cable	
1	SP557567	Keyboard	Aries-Elite
	SP557568	Keyboard	Aries
	SP560759	Keyboard	Without logo; With numeric keypad
	SP560760	Keyboard	Without logo; Without numeric keypad
2	SP555504	Bolt	M4x12
3	SP311679800004	Washer	M4
4	SP311902100004	Washer	M4
5	SP310934000004	Nut	M4
6	SPMEC001410	Self-Adhesive Pad	
7	SP510846	Tape	
8	SPPRI543000004	Cover	
9	563123	Bolt	30x6
10	SP311679800003	Washer	M3; Models through 11 May 2022
11	SP528312	Switching Unit	
12	SP528311	Emergency Stop Connector	
13	SP547779	Rivet	4x16.7
14	SP520408	Pin Insertion	
15	SP553419	Control Board	MC7
16	SP528313	Cable Holder	
17	SP553405	Control Board I/O	MC7
	SP547005	Board Interconnection Cable	
18	SP550113	Leading Pin	
19	SP558887	Programmer Holder	
20	SP558885	Control Panel	
21	SP284000012003	Tape	
22	SP528310	Emergency Stop Knob	OPL
	SP520032	Emergency Stop Wiring	OPL
	SP520033	Emergency Stop Interconnection	Vended
23	SP558929	Coin Meter Cover Plate	
24	SP558930	CPS Cover Plate	

Control Panel - H, IY and WMA Models (Drawing 2 of 4)

Models with J or R in 7th position of the model number except models with G, H, J or K in 13th position of the model number



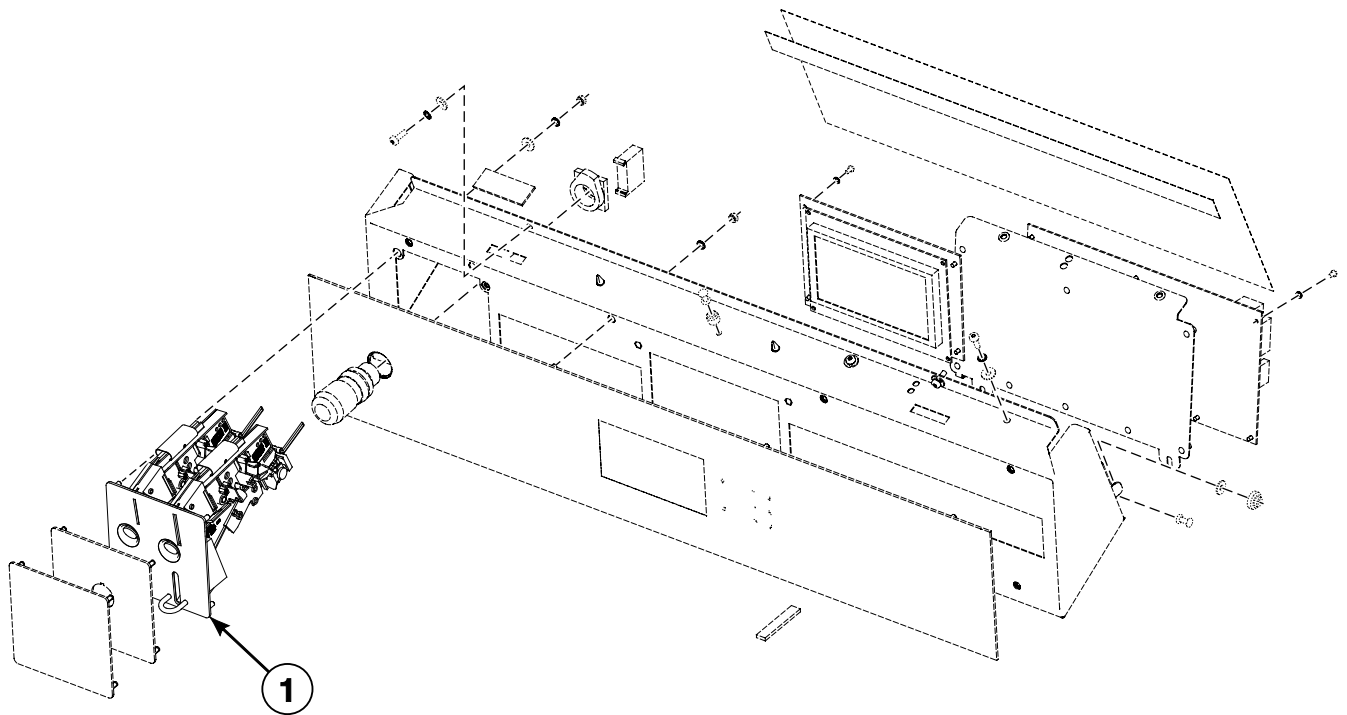
CFD2896P_D1617

Control Panel - H, IY and WMA Models (Drawing 2 of 4)

REF	PART NO.	DESCRIPTION	COMMENTS
1	569922	Coin Meter	0.2GBP, 0.5GBP, 1GBP, 2GBP, 0.1EUR, 0.2EUR, 0.5EUR, 1EUR, 2EUR; Electronic EMPv7
	SP558958	Coin Meter	0.25USD
	SP558959	Coin Meter	0.5EUR and 1EUR
	SP560310	Coin Meter	1EUR
	SP560311	Coin Meter	0.5EUR
	SP560312	Coin Meter	1EUR and 2EUR
	SP559933	Coin Meter	5K Primus jeton
	SP559934	Coin Meter	10K Primus jeton
	569965	Coin Meter	0.2GBP, 0.5GBP, 1GBP, 2GBP, 0.1EUR, 0.2EUR, 0.5EUR, 1EUR, 2EUR, jeton "KWL Aqua", jeton "Gettone"; Electronic EMPv7
	SP559938	Coin Meter	STD 118-1 jeton
	SP560309	Coin Meter	7K Primus jeton
	SP560405	Coin Meter	12K Primus jeton
	SP560406	Coin Meter	15K Primus jeton
	SP560407	Coin Meter	2EUR
	SP560408	Coin Meter	0.2EUR and 0.5EUR
	SP560409	Coin Meter	0.2EUR
	SP560410	Coin Meter	1EUR and 0.2EUR
	SP560411	Coin Meter	2EUR and 0.5EUR
	SP560412	Coin Meter	1AUD and 0.2AUD
	SP560413	Coin Meter	1GBP and 20PC
	SP560414	Coin Meter	1GBP and 50PC
	SP560415	Coin Meter	100JPY
	SP560416	Coin Meter	500JPY and 100 JPY
	SP560417	Coin Meter	1AUD and 2AUD
	SP560418	Coin Meter	1AUD
	SP560419	Coin Meter	20PC
	SP560420	Coin Meter	50 Malaysian cent
	SP560421	Coin Meter	1SGD; New Singaporean dollar
	SP560422	Coin Meter	2MYR and 0.5MYR
	SP560423	Coin Meter	1SGD
	SP560424	Coin Meter	1NZD and 2NZD
	SP560425	Coin Meter	Easy games jeton
	SP560426	Coin Meter	Flat polis jeton
	SP560427	Coin Meter	Butzi wash jeton
	SP560428	Coin Meter	Speedy matic jeton
	SP560429	Coin Meter	Laundromatic Belgium jeton; Diameter 22.3mm
	569940	Coin Meter	0.1SGD, 0.2SGD, 0.5SGD, 1SGD; Electronic EMPv7
	569934	Coin Meter	0.1EUR, 0.2EUR, 0.5EUR, 1EUR, 2EUR; Electronic EMPv7
	SP560432	Coin Meter	500WON
	SP560745	Coin Meter	Dobi ekspress jeton
	SP560751	Coin Meter	Lucky winner jeton
	SP559969	Coin Meter	Gettone jeton
	SP559949	Coin Meter	10 Taiwan dollar
	SP560090	Coin Meter	5K IPSO jeton
	SP560091	Coin Meter	7K IPSO jeton
	SP560092	Coin Meter	10K IPSO jeton
	SP560093	Coin Meter	12K IPSO jeton
	SP560094	Coin Meter	15K IPSO jeton
	SP560100	Coin Meter	Electrolux Asard jeton
	SP560087	Coin Meter	Gettone jeton

Control Panel - H, IY and WMA Models (Drawing 3 of 4)

Models with J or R in 7th position of the model number except models with G, H, J or K in 13th position of the model number



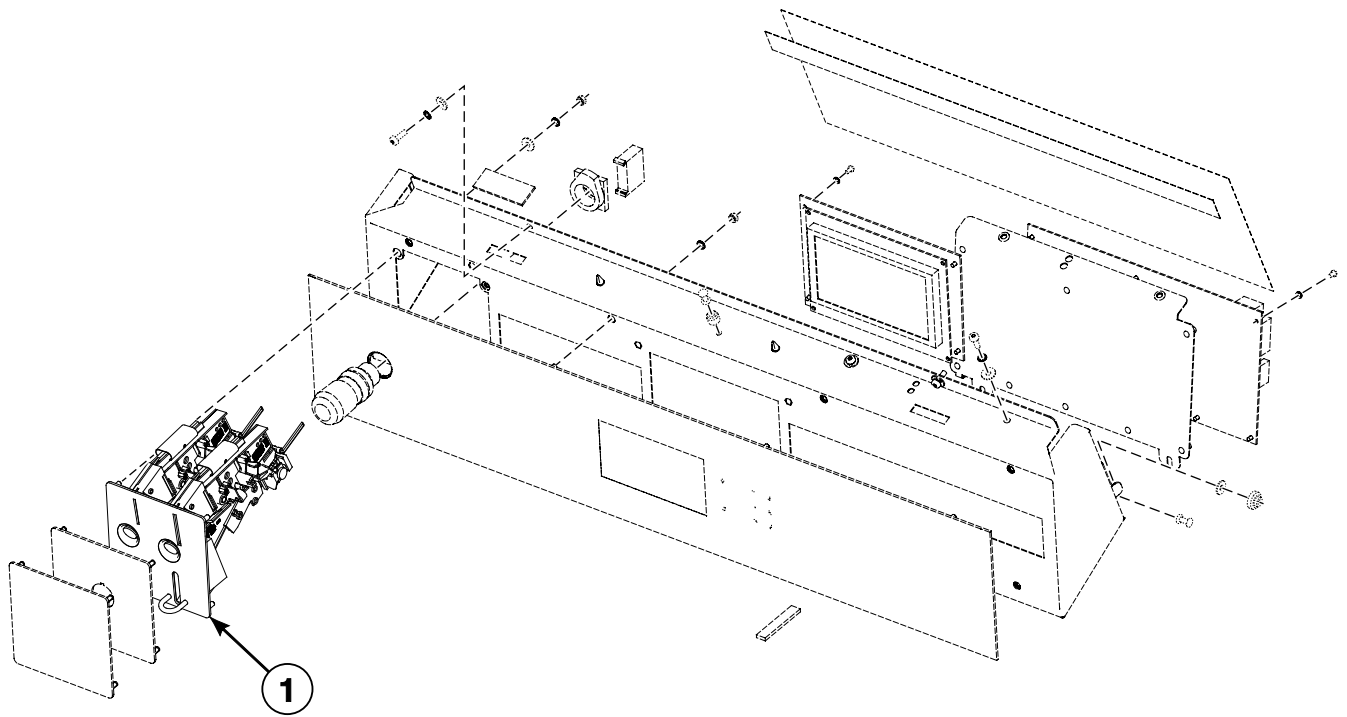
CFD2896P_D1617

Control Panel - H, IY and WMA Models (Drawing 3 of 4)

REF	PART NO.	DESCRIPTION	COMMENTS
1	SP560075	Coin Meter	5+1 Shekel
	SP560071	Coin Meter	1HKD
	569968	Coin Meter	0.1EUR, 0.2EUR, 0.5EUR, 1EUR, 2EUR, jeton G-FIS "LAVOIR BIANCA"; Electronic EMPv7
	569946	Coin Meter	1HRK, 2HRK, 5HRK; Electronic EMPv7
	569974	Coin Meter	1AUD, 2AUD, jeton "No Cash Value"; Electronic EMPv7
	561497	Coin Meter	Jeton Prinz Firbitex
	563405	Coin Meter	Token Ldl Chamberland Washing Machine
	569943	Coin Meter	0.1MYR, 0.2MYR, 0.5MYR, 0.5SGD, 1SGD; Electronic EMPv7
	569925	Coin Meter	1DKK, 2DKK, 5DKK, 10DKK, 20DKK, 1NOK, 5NOK, 10NOK, 20NOK, 0.2EUR, 0.5EUR, 1EUR, 2EUR; Electronic EMPv7
	564485	Coin Meter	Token 118-5
	564487	Coin Meter	Token Barisart (Ldl)
	569971	Coin Meter	0.5MYR, jeton "DOBI PAPA"; Electronic EMPv7
	553156	Coin Meter	Token Rotondi
	569905	Coin Meter	Brass jeton
	569911	Coin Meter	0.5CHF, 2CHF
	569919	Coin Meter	0.25USD, 1USD, 0.25CAD, 1CAD, 2CAD; Electronic EMPv7
	569928	Coin Meter	0.2AUD, 1AUD, 2AUD, 0.2NZD, 1NZD, 2NZD, 5HKD, 10HKD, 500KRW; Electronic EMPv7
	569931	Coin Meter	1CNY, 0.1MYR, 0.2MYR, 0.5MYR; Electronic EMPv7
	569937	Coin Meter	1PHP, 5PHP, 10PHP; Electronic EMPv7
	569949	Coin Meter	5CZK, 10CZK, 20CZK, 50CZK; Electronic EMPv7
	569952	Coin Meter	0.5MAD, 1MAD, 2MAD, 5MAD, 10MAD; Electronic EMPv7
	569955	Coin Meter	1PLN, 2PLN, 5PLN, 0.1EUR, 0.2EUR, 0.5EUR, 1EUR, 2EUR, 10ISK, 50ISK, 100ISK; Electronic EMPv7
	569962	Coin Meter	0.1EUR, 0.2EUR, 0.5EUR, 1EUR, 2EUR, jeton IPRSO 5K; Electronic EMPv7
	569980	Coin Meter	0.5MYR, jeton "BUBBLELAB"; Electronic EMPv7
	569988	Coin Meter	Jeton HAUCK 2018
	569993	Coin Meter	Jeton 08 MS
	569995	Coin Meter	Jeton D

Control Panel - H, IY and WMA Models (Drawing 4 of 4)

Models with J or R in 7th position of the model number except models with G, H, J or K in 13th position of the model number



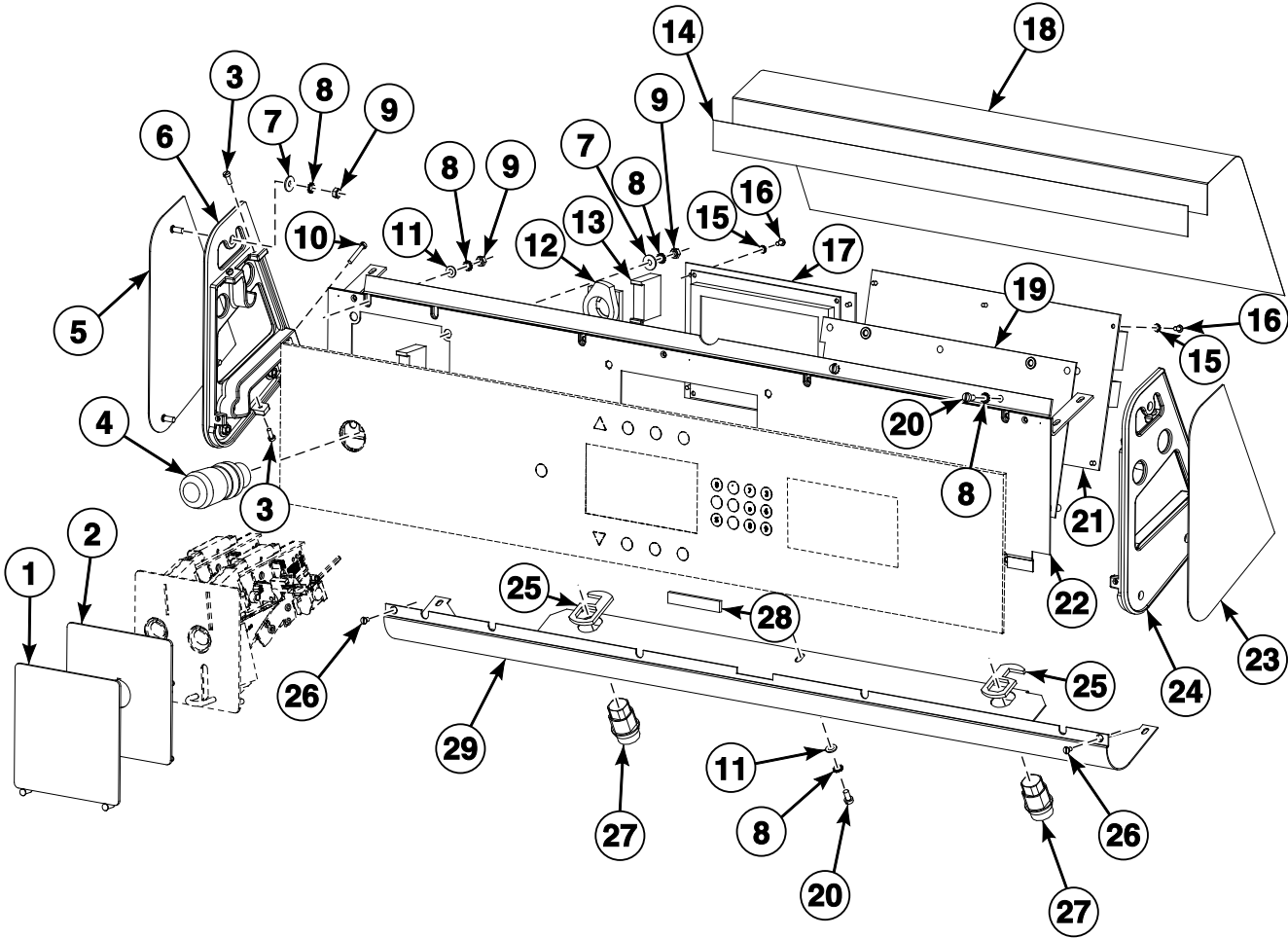
CFD2896P_D1617

Control Panel - H, IY and WMA Models (Drawing 4 of 4)

REF	PART NO.	DESCRIPTION	COMMENTS
1	569999	Coin Meter	10+50 TWD
	570000	Coin Meter	100+500 ISK
	572302	Coin Meter	Token 118-16
	579809	Coin Meter	1EAD, 1TK, 2TK; Electronic EMPv7
	572308	Coin Meter	1ZAR, 2ZAR, 5ZAR; Electronic EMPv7
	572311	Coin Meter	5RUB, 10RUB; Electronic EMPv7
	572314	Coin Meter	50CLP, 100CLP, 500CLP; Electronic EMPv7
	572318	Coin Meter	100JPY, 500JPY, 10TWD, 50TWD; Electronic EMPv7
	572321	Coin Meter	0.5GEL, 1GEL, 2GEL; Electronic EMPv7
	572324	Coin Meter	0.2 EUR, 0.5EUR, 1EUR, 2EUR, Jeton 7K; Electronic EMPv7
	579813	Coin Meter	20 HUF, 50HUF, 100HUF, 200HUF; 1TK, 2TK, Jeton; Electronic EMPv7
	572343	Coin Meter	Token WH121
	572359	Coin Meter	1THB, 2THB, 5THB, 10THB/TK1+2; ElectronicEMPv7
	572355	Coin Meter	Token 1699360
	572389	Coin Meter	0.25CAD
	575276	Coin Meter	0.25USD + 1USD
	575277	Coin Meter	0.25CAD + 1CAD
	572384	Coin Meter	0.2CHF, 0.5CHF, 1CHF, 2CHF, TK1, TK2; Electronic EMPv7

Control Panel - AF, FX, HX, LY, PY, QW, SW and W Models (Drawing 1 of 2)

Models with T or X in 7th position of the model number



CZW207P_D1617

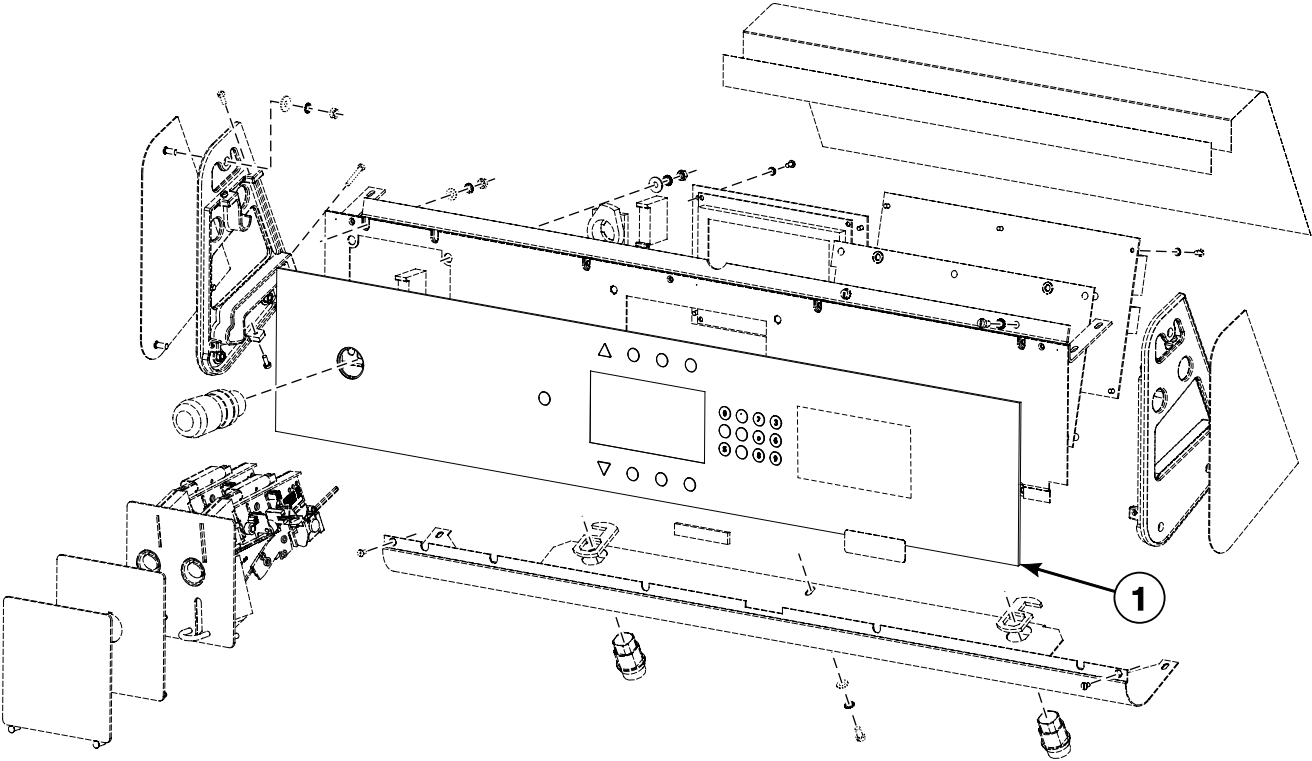
Control Panel - AF, FX, HX, LY, PY, QW, SW and W Models (Drawing 1 of 2)

REF	PART NO.	DESCRIPTION	COMMENTS
	569593	Network Installation Kit	Includes 569595 Holder, 203532 Wireless Network Control Assembly, 568363 Power Supply, 568362 Cable, 568378 Wiring, 568379 Wiring Diagram, SP345000626088 Binding Strip and connection accessories
	F8600501	Programming Cable	
1	SP550149	Cover Plate	PY models
2	SP547565	Coin Meter Cover	
3	577761	Bolt	3x8
4	SP528310	Emergency Stop Knob	OPL
	SP520032	Emergency Stop Wiring	OPL
	SP520033	Emergency Stop Interconnection	Vended
5	SP547507	Side Sheet Metal	Left
6	570391	Side Board	Left
7	SP311902100004	Washer	M4
8	SP311679800004	Washer	M4
9	SP310934000004	Nut	M4
10	577763	Bolt	3x20
11	SP311125000004	Washer	M4
12	SP528311	Emergency Stop Connector	
13	SP528312	Switching Unit	
14	SP510846	Tape	
15	SP311679800003	Washer	M3; Models through 11 May 2022
16	563123	Bolt	30x6
17	SP547001	Control Board	MC6 (green color); Models through Serial No. 65FX002622BZ; Refer to NOTE*
	SP553411	Control Board	MC7 (blue color); Models starting Serial No. 65FX002624DB; Refer to NOTE*
18	SPPRI543000004	Cover	
19	SP547504	Programmer Holder	
20	SP555504	Bolt	M4x12
21	SP547002	Control Board I/O	MC6
	SP553405	Control Board I/O	MC7
	SP547005	Board Interconnection Cable	AF, FX, HX, LY, PY, SW and W models
	SP537995	Board Interconnection Cable	QW models
22	SP547501	Programmer Holder	
23	SP547506	Side Sheet Metal	Right
24	570392	Side Board	Right
25	SPPRI610002007	Hook Lock	Small; MC7; OPL
26	577762	Bolt	3x8
27	SP547527	Lock	
	SP550616	Key	Used with SP547527 Lock
28	SP284000012003	Tape	
29	SP547508	Lath	

* NOTE: For machines within the Serial No. range 65FX002625DB - 65FX002892DF, contact the After Sales department.

Control Panel - AF, FX, HX, LY, PY, QW, SW and W Models (Drawing 2 of 2)

Models with T or X in 7th position of the model number



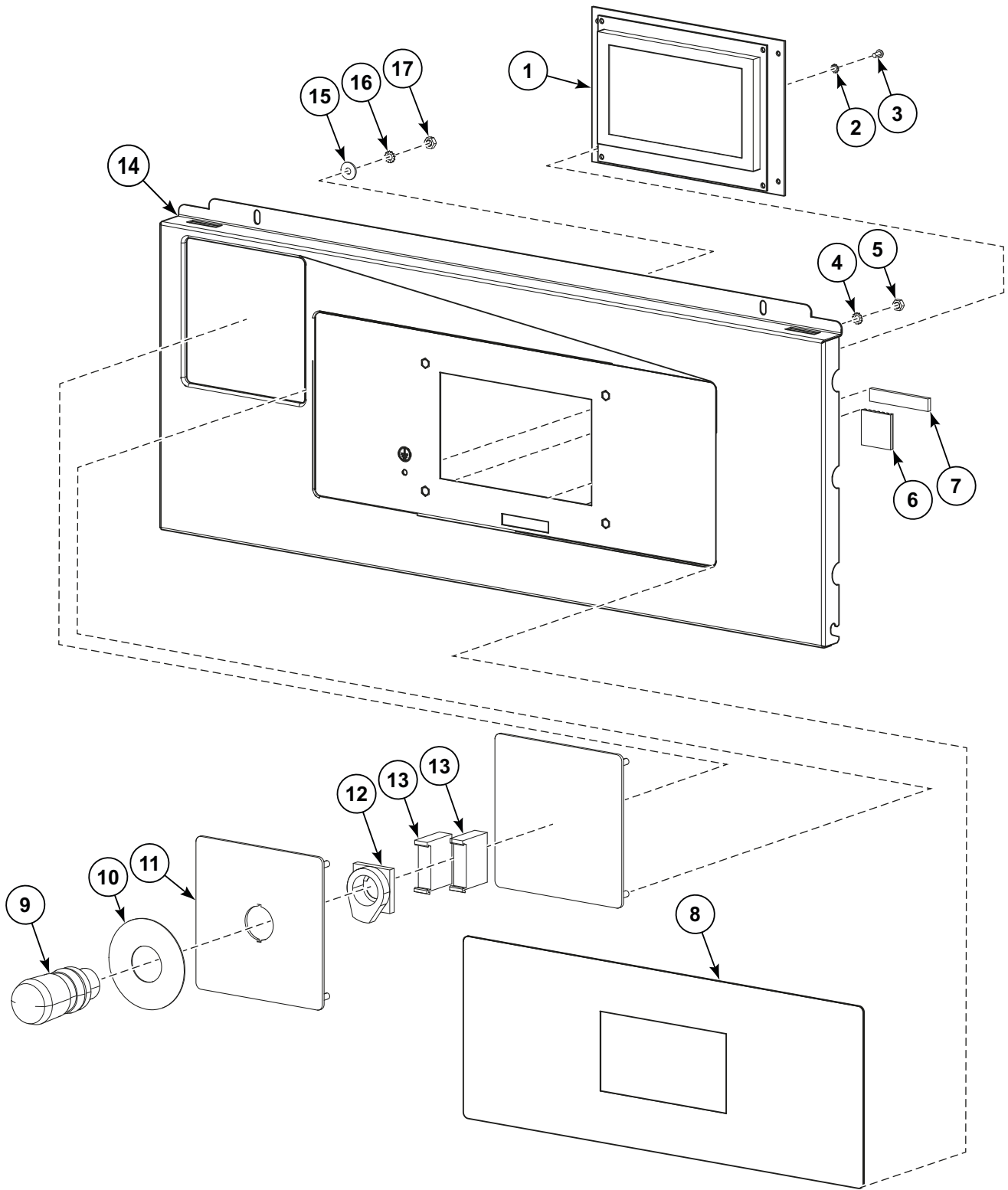
CFD3542P_D1617

Control Panel - AF, FX, HX, LY, PY, QW, SW and W Models (Drawing 2 of 2)

REF	PART NO.	DESCRIPTION	COMMENTS
1	SP547010	Keyboard	FX and PY models; OPL; X Control Plus; Gray-black; CE
	SP547009	Keyboard	FX and PY models; OPL; X Control; Gray-black; CE
	SP547007	Keyboard	FX and PY models; Vended; X Control; Gray-black; CE
	SP547008	Keyboard	FX and PY models; CPS; X Control; Gray-black; CE
	SP547022	Keyboard	AF and LY models; OPL; X Control Plus; Black; CE
	SP547021	Keyboard	AF and LY models; OPL; X Control; Black; CE
	SP547019	Keyboard	AF and LY models; Vended; X Control; Black; CE
	SP547020	Keyboard	AF and LY models; CPS; X Control; Black; CE
	SP547034	Keyboard	FX and PY models; OPL; X Control Plus; Gray; CE
	SP547033	Keyboard	FX and PY models; OPL; X Control; Gray; CE
	SP547031	Keyboard	FX and PY models; Vended; X Control; Gray; CE
	SP547032	Keyboard	FX and PY models; CPS; X Control; Gray; CE
	SP537991	Keyboard	QW models; X Control; CE
	SP556107	Keyboard	SW models; X Control; CE
	SP537990	Keyboard	HX models; X Control; CE

Control Panel OPL - AF, IY, NY Models

Models with J, R, T or X in 7th position of the model number and with G, H, J or K in 13th position of the model number



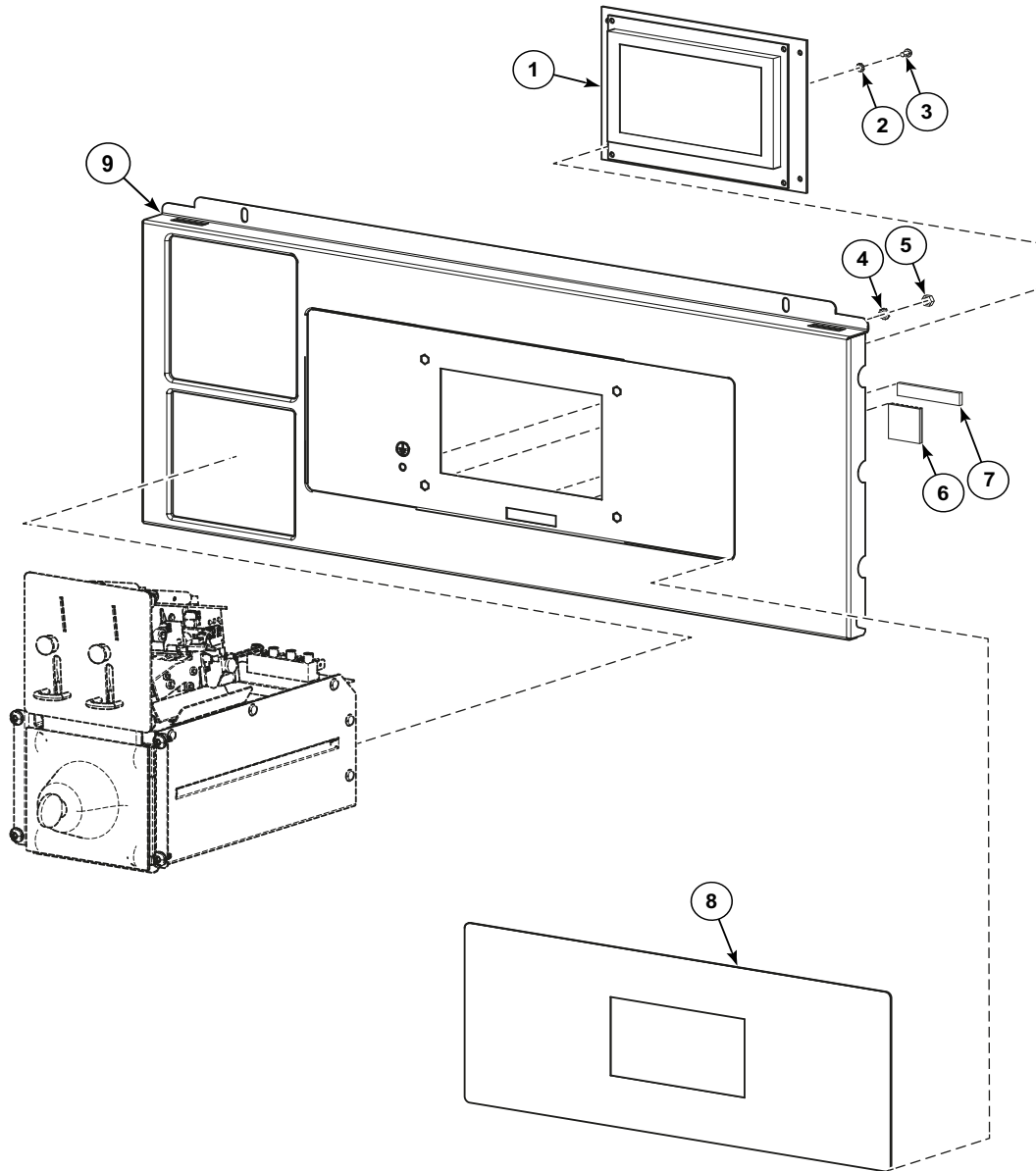
CZW284P_D1617

Control Panel OPL - AF, IY, NY Models

REF	PART NO.	DESCRIPTION	COMMENTS
1	SP553419	Control Board	MC7
	SP553411	Control Board	IY models; AF and NY Models; MC7
2	SP311679800003	Washer	M3; Models through 11 May 2022
3	563123	Bolt	30x6
4	SP311679800004	Washer	M4
5	SP310934000004	Nut	M4
6	SP550115	Fastener	
7	SP284000012003	Tape	
8	SP557565	Keyboard	IY models; Aries Elite
	SP557566	Keyboard	IY models; Aries
	547087	Keyboard	AF and NY Models; Professional; Black
	547088	Keyboard	AF and NY Models; Basic; Black
9	SP528310	Emergency Stop Knob	Used with SP520032 Emergency Stop Wiring
10	SPPRI551005248	Emergency Stop Label	
11	567924	Coin Meter Cover	
12	SP528311	Emergency Stop Connector	
13	SP528312	Switching Unit	
14	573065	Control Panel	
15	SP311902100004	Washer	M4
16	SP311679800004	Washer	M4
17	SP310934000004	Nut	M4

Control Panel Vended - AF, IY, NY Models

Models with J or X in 7th position of the model number and with G, H, J or K in 13th position of the model number



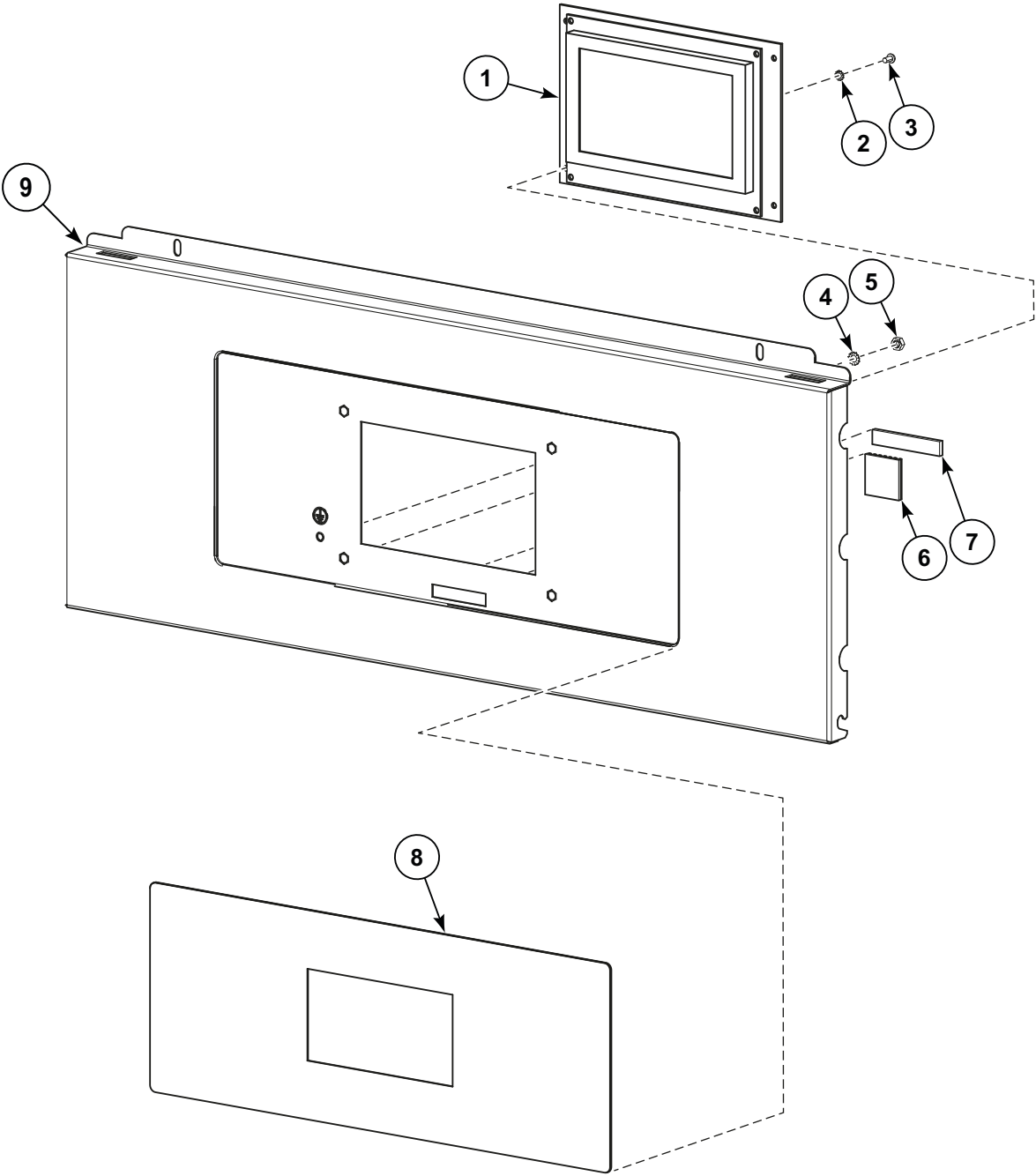
CZW285P_D1617

Control Panel Vended - AF, IY, NY Models

REF	PART NO.	DESCRIPTION	COMMENTS
1	SP553419	Control Board	IY models; MC7
	SP553411	Control Board	AF and NY Models; MC7
2	SP311679800003	Washer	M3; Models through 11 May 2022
3	563123	Bolt	30x6
4	SP311679800004	Washer	M4
5	SP310934000004	Nut	M4
6	SP550115	Fastener	
7	SP284000012003	Tape	
8	SP557566	Keyboard	IY models; Aries
	547088	Keyboard	AF and NY Models; Basic; Black
9	573068	Control Panel	

Control Panel for Central Payment System - AF, IY, NY Models

Models with J or X in 7th position of the model number and with G, H, J or K in 13th position of the model number



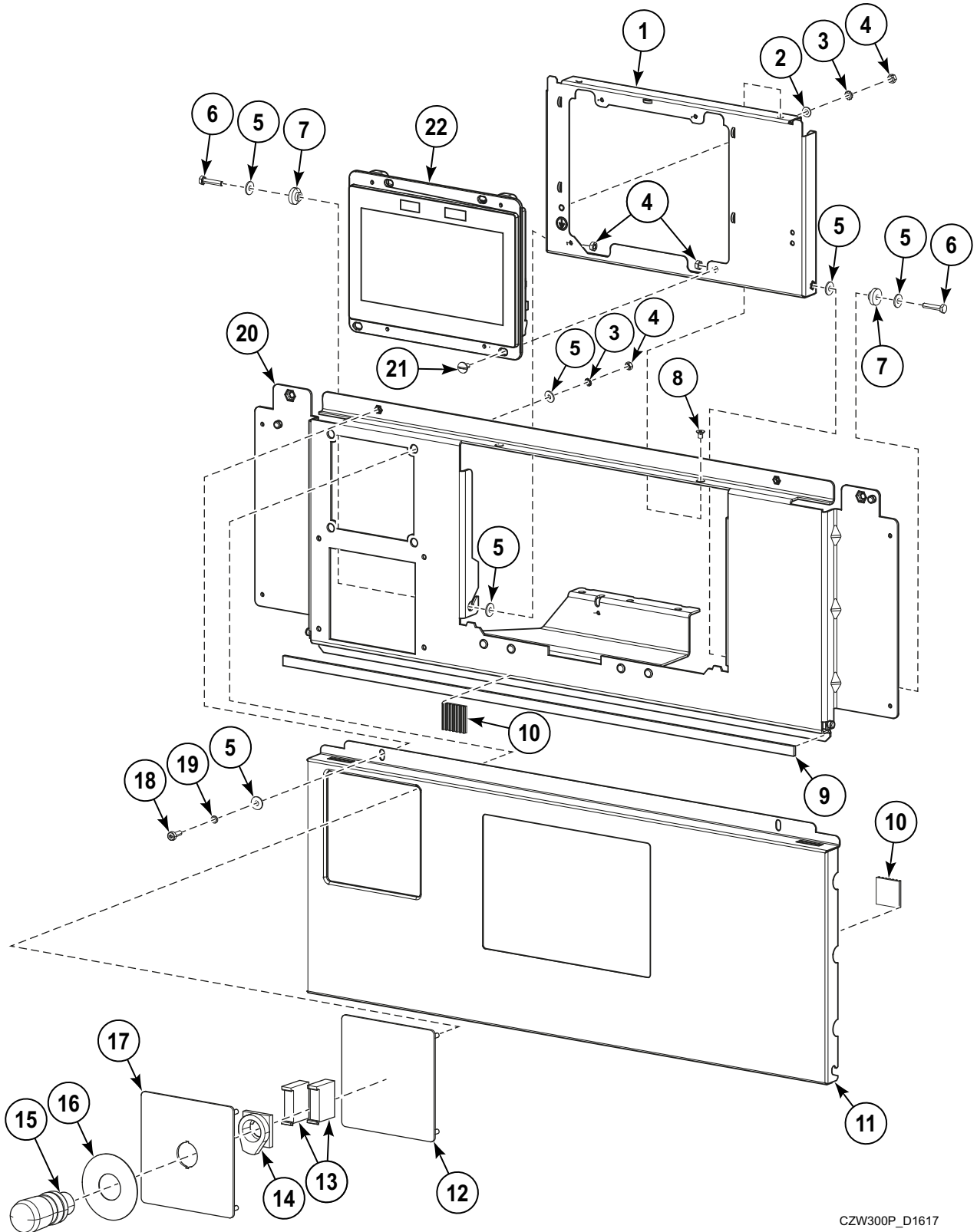
CZW286P_D1617

Control Panel for Central Payment System - AF, IY, NY Models

REF	PART NO.	DESCRIPTION	COMMENTS
1	SP553419	Control Board	IY models; MC7
	SP553411	Control Board	AF and NY Models
2	SP311679800003	Washer	M3; Models through 11 May 2022
3	563123	Bolt	30x6
4	SP311679800004	Washer	M4
5	SP310934000004	Nut	M4
6	SP550115	Fastener	
7	SP284000012003	Tape	
8	SP557566	Keyboard	IY models; Aries
	547088	Keyboard	AF and NY Models; Basic; Black
9	573068	Control Panel	

Control Panel OPL - AF, IY, JY and NY Models

Models with V in 7th position of the model number



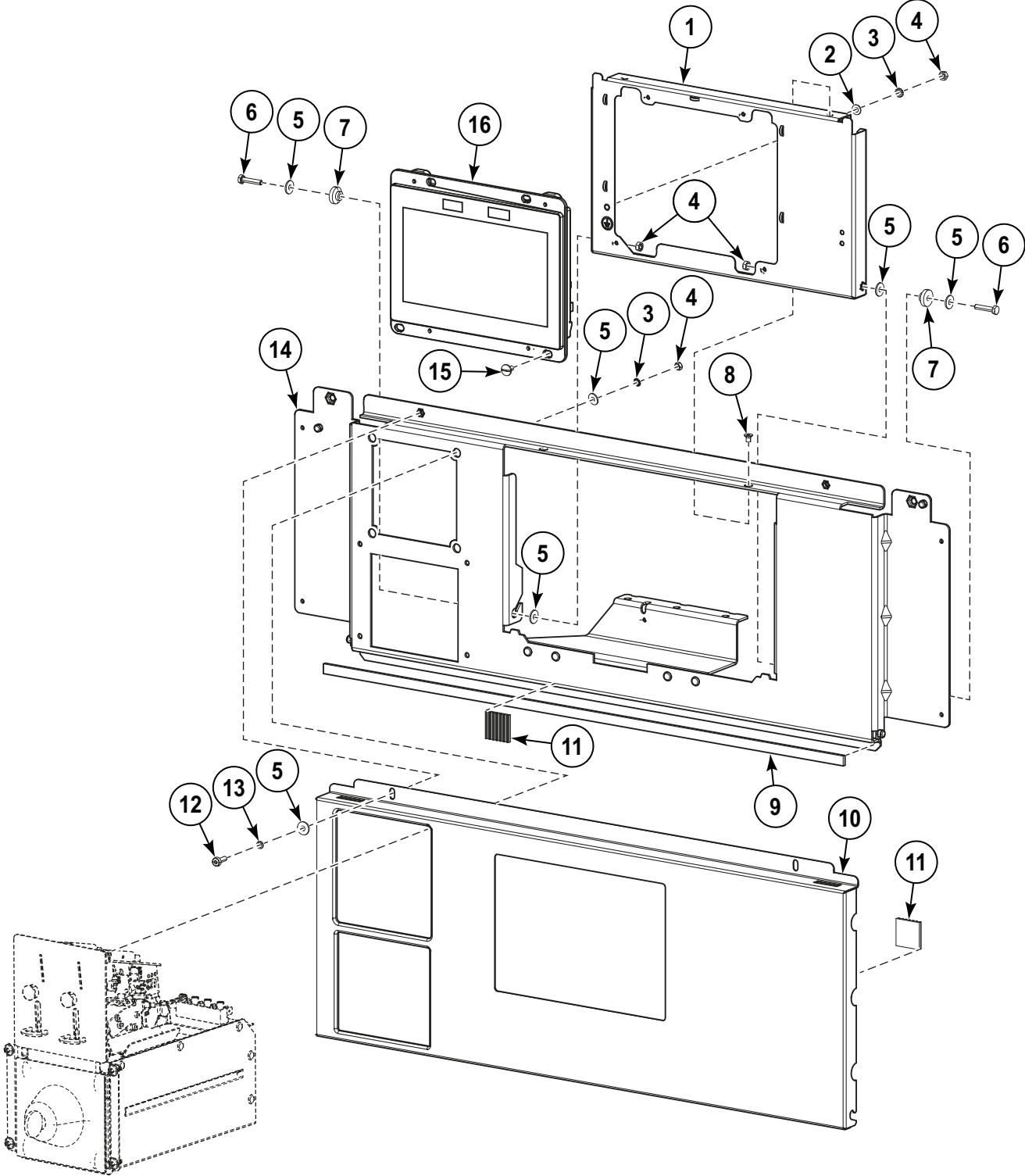
CZW300P_D1617

Control Panel OPL - AF, IY, JY and NY Models

REF	PART NO.	DESCRIPTION	COMMENTS
1	571041	Control Holder	
2	SP311125000004	Washer	M4
3	SP311679800004	Washer	M4
4	SP310934000004	Nut	M4
5	SP311902100004	Washer	M4
6	569655	Bolt	M4x25
7	SP550113	Leading Pin	
8	SP309965240408	Bolt	M4x8
9	SP284000012003	Tape	0.558m
10	SP550115	Fastener	
11	573119	Control Panel	
12	567925	Label Covering	
13	SP528312	Switching Unit	
14	SP528311	Emergency Stop Connector	
15	SP528310	Emergency Stop Knob	Used with SP520032 Emergency Stop Wiring
16	SPPRI551005248	Emergency Stop Label	
17	567924	Coin Meter Cover	
18	SP555504	Bolt	M4x12
19	SP311127000004	Washer	4
20	573004	Control Panel Frame	
21	309500240408	Bolt	M4x8
22	575632	Control	7", MC10

Control Panel Vended - AF, IY, JY and NY Models

Models with V in 7th position of the model number



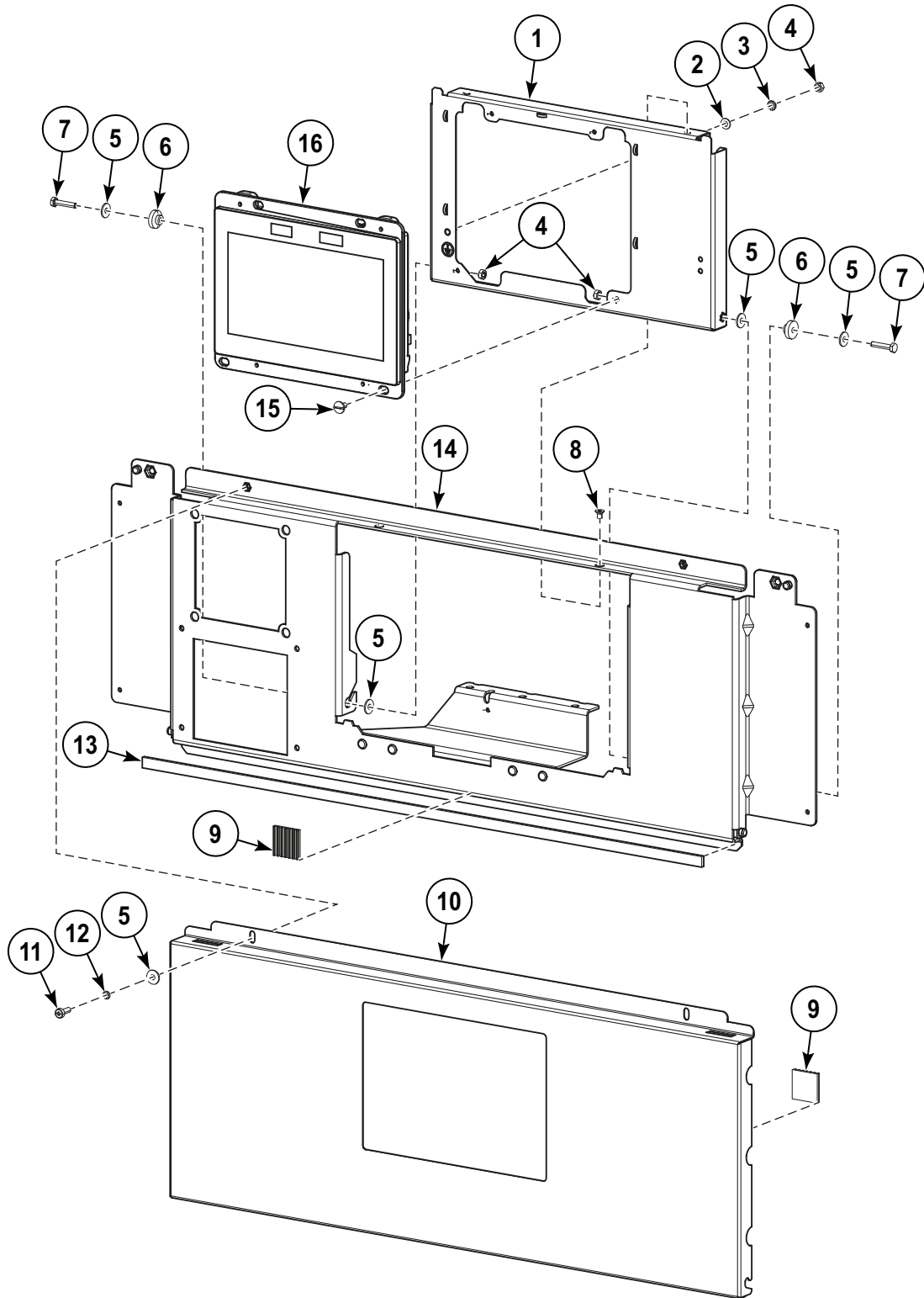
CZW301P_D1617

Control Panel Vended - AF, IY, JY and NY Models

REF	PART NO.	DESCRIPTION	COMMENTS
1	571041	Control Holder	
2	SP311125000004	Washer	M4
3	SP311679800004	Washer	M4
4	SP310934000004	Nut	M4
5	SP311902100004	Washer	M4
6	569655	Bolt	M4x25
7	SP550113	Leading Pin	
8	SP309965240408	Bolt	M4x8
9	SP284000012003	Tape	0.558m
10	573119	Control Panel	
11	SP550115	Fastener	
12	SP555504	Bolt	M4x12
13	SP311127000004	Washer	4
14	573004	Control Panel Frame	
15	309500240408	Bolt	M4x8
16	575632	Control	7", MC10

Control Panel for Central Payment System - AF, IY, JY and NY Models

Models with V in 7th position of the model number



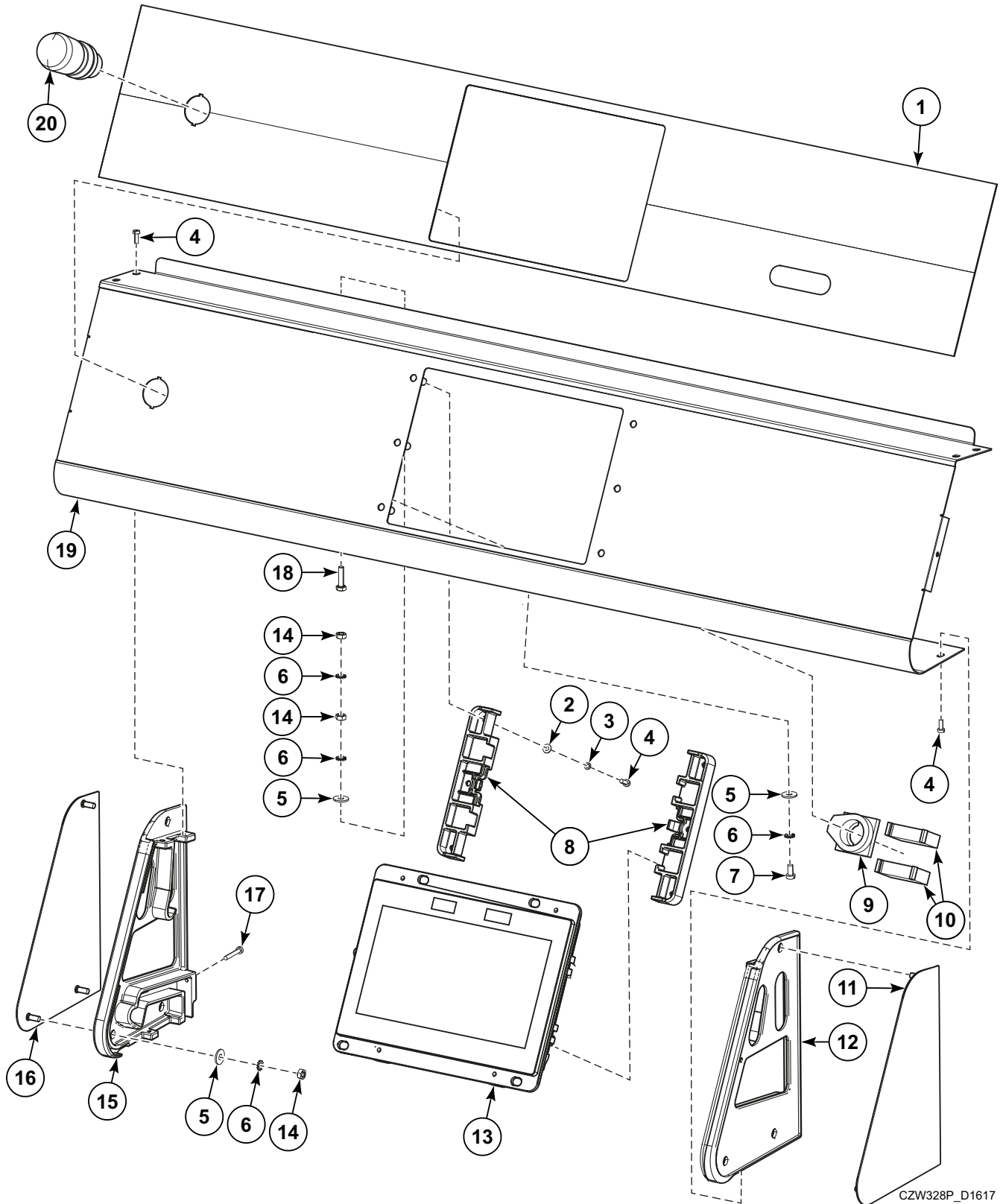
CZW302P_D1617

Control Panel for Central Payment System - AF, IY, JY and NY Models

REF	PART NO.	DESCRIPTION	COMMENTS
1	571041	Control Holder	
2	SP311125000004	Washer	M4
3	SP311679800004	Washer	M4
4	SP310934000004	Nut	M4
5	SP311902100004	Washer	M4
6	SP550113	Leading Pin	
7	569655	Bolt	M4x25
8	SP309965240408	Bolt	M4x8
9	SP550115	Fastener	
10	573119	Control Panel	
11	SP555504	Bolt	M4x12
12	SP311127000004	Washer	4
13	SP284000012003	Tape	0.558m
14	573004	Control Panel Frame	
15	309500240408	Bolt	M4x8
16	575632	Control	7", MC10

Control Panel OPL - FX and PY Models

Models with V in 7th position and with H or 6 in 10 position of the model number Through Serial No. 65FX015208SH



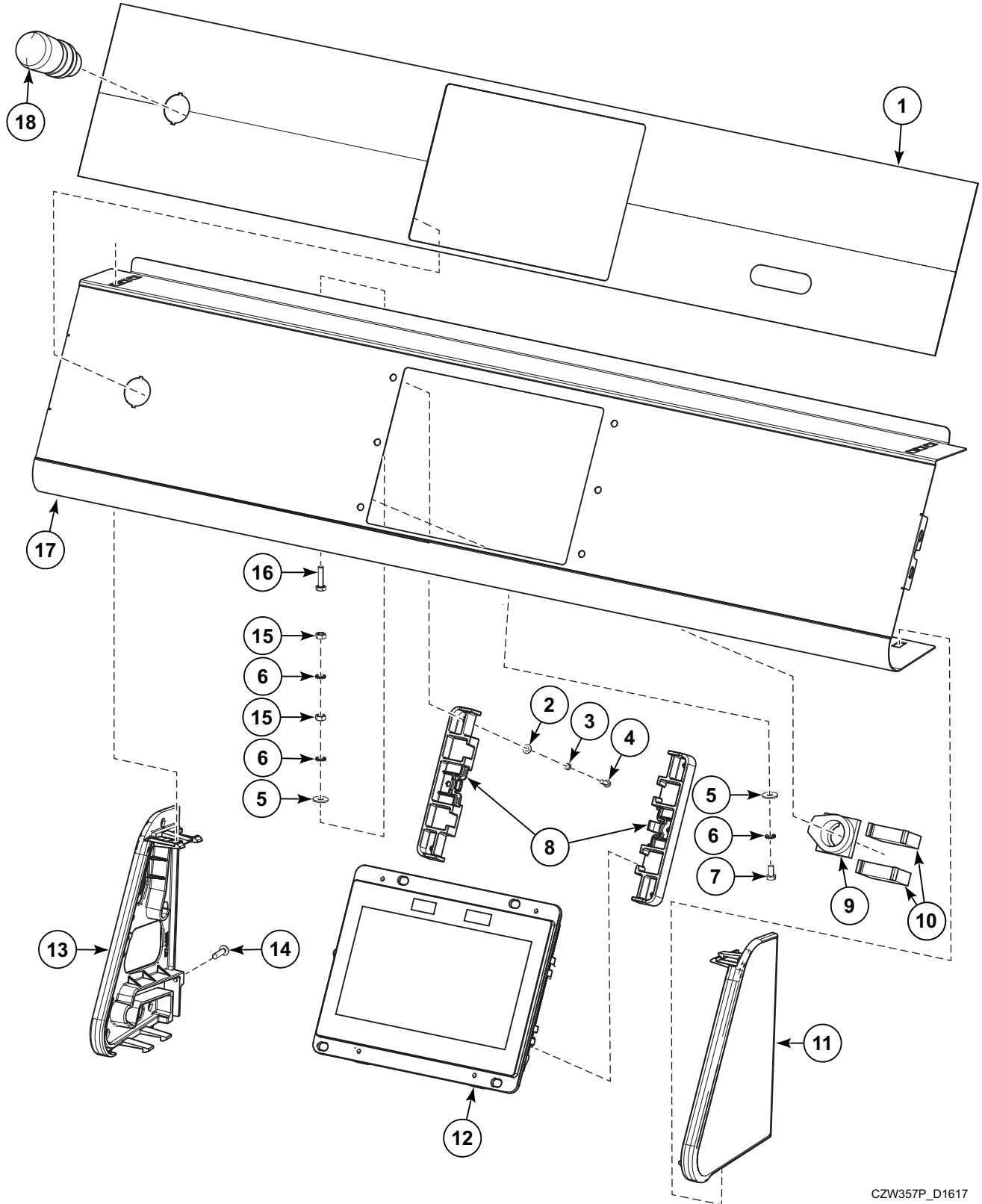
CZW328P_D1617

Control Panel OPL - FX and PY Models

REF	PART NO.	DESCRIPTION	COMMENTS
1	573926	Overlay	
	574216	Overlay	OEM
2	SP311125000003	Washer	M3
3	SP311127000003	Washer	3
4	SP309084000308	Bolt	M3x8
5	SP311902100004	Washer	M4
6	SP311679800004	Washer	M4
7	SP309084000408	Bolt	M4x8
8	573929	Sidewall	
9	SP528311	Emergency Stop Connector	
10	SP528312	Switching Unit	
11	572586	Sidewall	Right
12	572572	Sidewall	Right
13	575632	Control	7", MC10
14	SP310934000004	Nut	M4
15	572571	Sidewall	Left
16	572588	Sidewall	Left
17	SP309084000320	Bolt	M3x20
18	SP309933000416	Bolt	M4x16
19	572580	Nose Assembly	Includes item 1 and 573930 Nut
	574234	Nose Assembly	OEM; Includes item 1 and 573930 Nut
20	SP528310	Emergency Stop Knob	Used with SP520032 Emergency Stop Wiring

Control Panel OPL - FX and PY Models

Models with V in 7th position and with H or 6 in 10 position of the model number Starting Serial No. 65FX015209SH



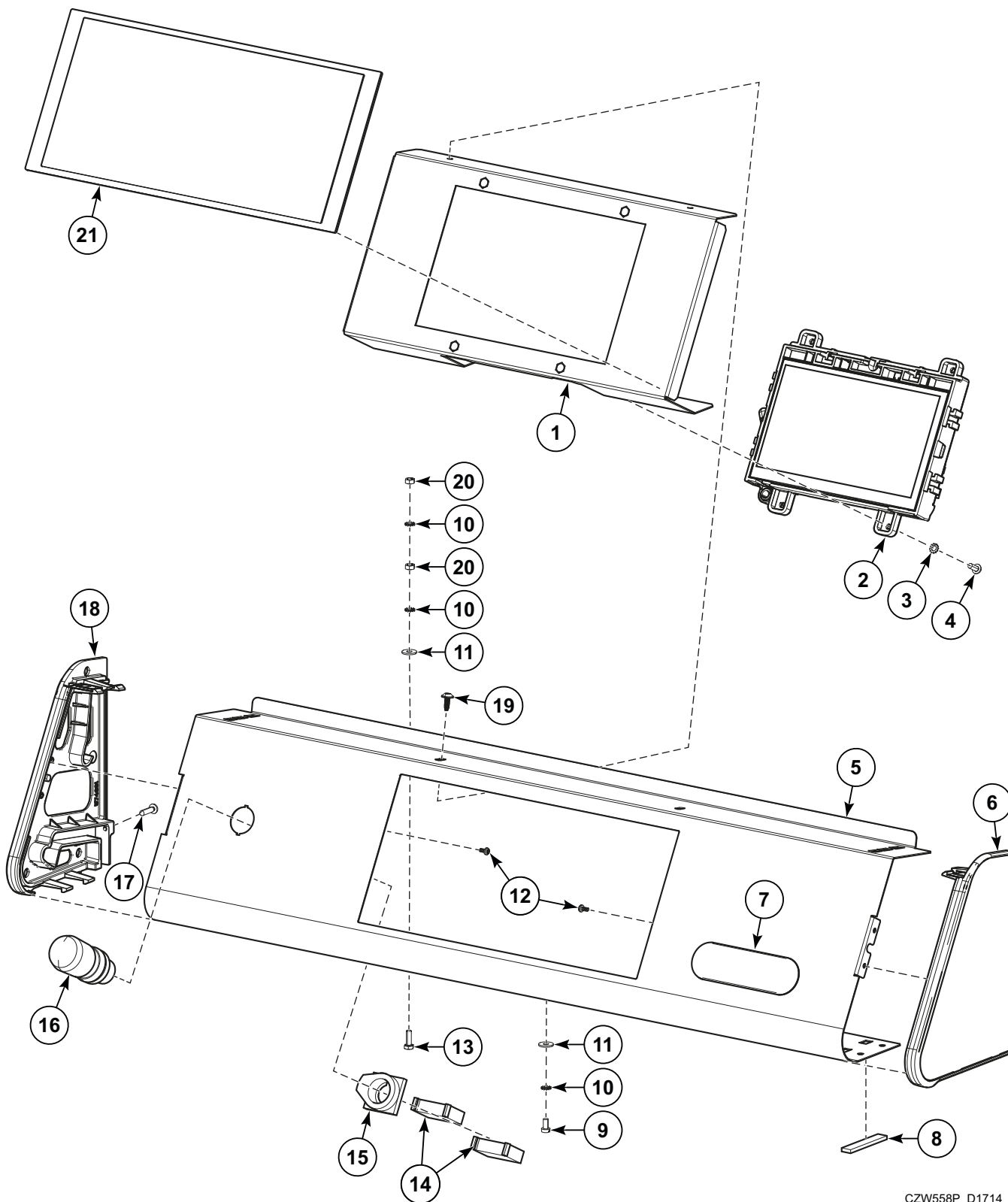
CZW357P_D1617

Control Panel OPL - FX and PY Models

REF	PART NO.	DESCRIPTION	COMMENTS
1	573926	Overlay	
	574216	Overlay	OEM
2	SP311125000003	Washer	M3
3	SP311127000003	Washer	3
4	SP309084000308	Bolt	M3x8
5	SP311902100004	Washer	M4
6	SP311679800004	Washer	M4
7	SP309084000408	Bolt	M4x8
8	573929	Sidewall	
9	SP528311	Emergency Stop Connector	
10	SP528312	Switching Unit	
11	576070	Sidewall	Right
12	575632	Control	7", MC10
13	576069	Sidewall	Left
14	SP520407	Screw	
15	SP310934000004	Nut	M4
16	SP309933240412	Bolt	M4x12
17	576033	Nose Assembly	Includes item 1 and 573930 Nut
	576042	Nose Assembly	OEM; Includes item 1 and 573930 Nut
18	SP528310	Emergency Stop Knob	Used with SP520032 Emergency Stop Wiring

Control Panel OPL - FX and PY Models

Models with V in 7th position and with N, U or 8 in 10th position of the model number Starting Serial No. 65FX019625WW



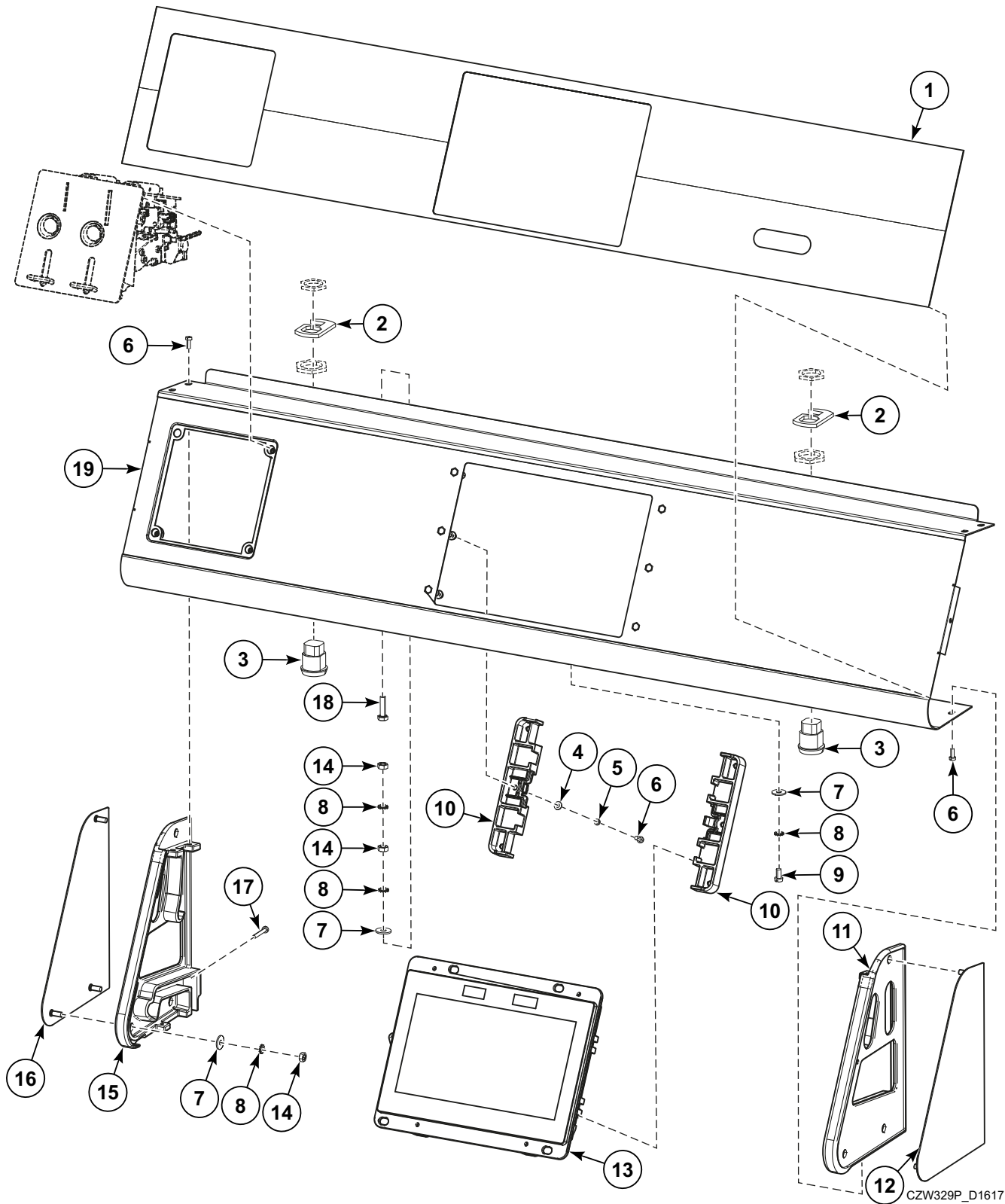
CZW558P_D1714

Control Panel OPL - FX and PY Models

REF	PART NO.	DESCRIPTION	COMMENTS
1	582260	Holder	
2	582285	Control	7", MC10
3	SP311679800004	Washer	M4
4	582307	Bolt	M4x10
5	579184	Nose Assembly	
6	576070	Sidewall	Right
7	567887	Logo	
8	SP284000012003	Tape	0.5m; 2pcs
9	SP309084000408	Bolt	M4x8
10	SP311679800004	Washer	M4
11	SP311902100004	Washer	M4
12	582361	Screw	3x6
13	SP309933240412	Bolt	M4x12
14	SP528312	Switching Unit	
15	SP528311	Emergency Stop Connector	
16	SP528310	Emergency Stop Knob	Used with SP520032 Emergency Stop Wiring
17	SP520407	Screw	
19	SP529206	Screw	4x11
18	576069	Sidewall	Left
20	SP310934000004	Nut	M4
21	582274	Plastic Window	

Control Panel Vended - FX and PY Models

Models with V in 7th position and with H or 6 in 10 position of the model number Through Serial No. 65FX015208SH



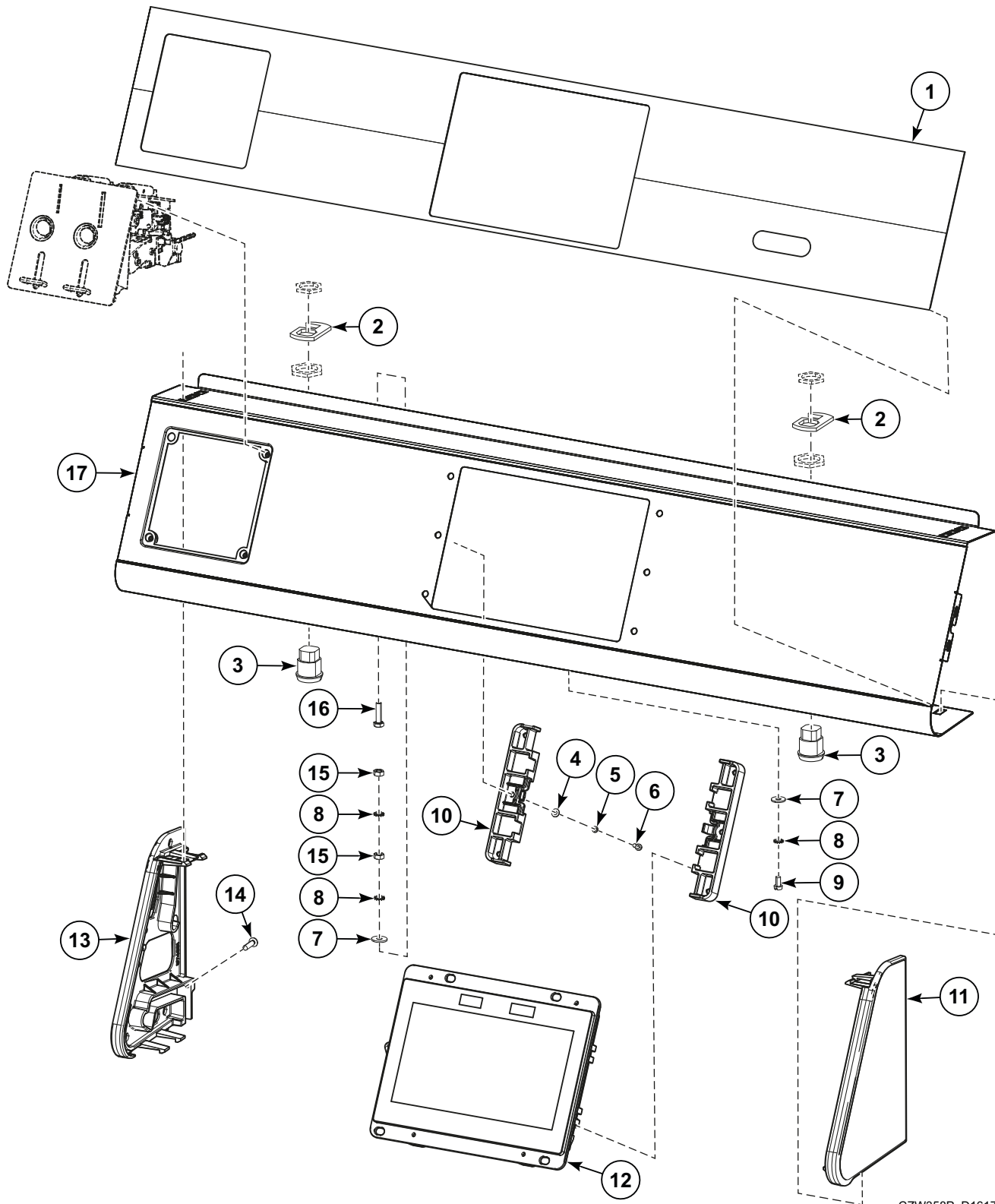
CZW329P_D1617

Control Panel Vended - FX and PY Models

REF	PART NO.	DESCRIPTION	COMMENTS
	SP520033	Emergency Stop Interconnection	
1	573935	Overlay	
	574219	Overlay	OEM
2	SPPRI610002007	Hook Lock	
3	SP547527	Lock	Includes Nuts – 2 pieces
	SP550616	Key	Used with SP547527 Lock
4	SP311125000003	Washer	M3
5	SP311127000003	Washer	3
6	SP309084000308	Bolt	M3x8
7	SP311902100004	Washer	M4
8	SP311679800004	Washer	M4
9	SP309084000408	Bolt	M4x8
10	573929	Sidewall	
11	572572	Sidewall	Right
12	572586	Sidewall	Right
13	575632	Control	7", MC10
14	SP310934000004	Nut	M4
15	572571	Sidewall	Left
16	572588	Sidewall	Left
17	SP309084000320	Bolt	M3x20
18	SP309933000416	Bolt	M4x16
19	574121	Nose Assembly	Includes item 1 and 573930 Nut
	574237	Nose Assembly	OEM; Includes item 1 and 573930 Nut

Control Panel Vended - FX and PY Models

Models with V in 7th position and with H or 6 in 10 position of the model number Starting Serial No. 65FX015209SH



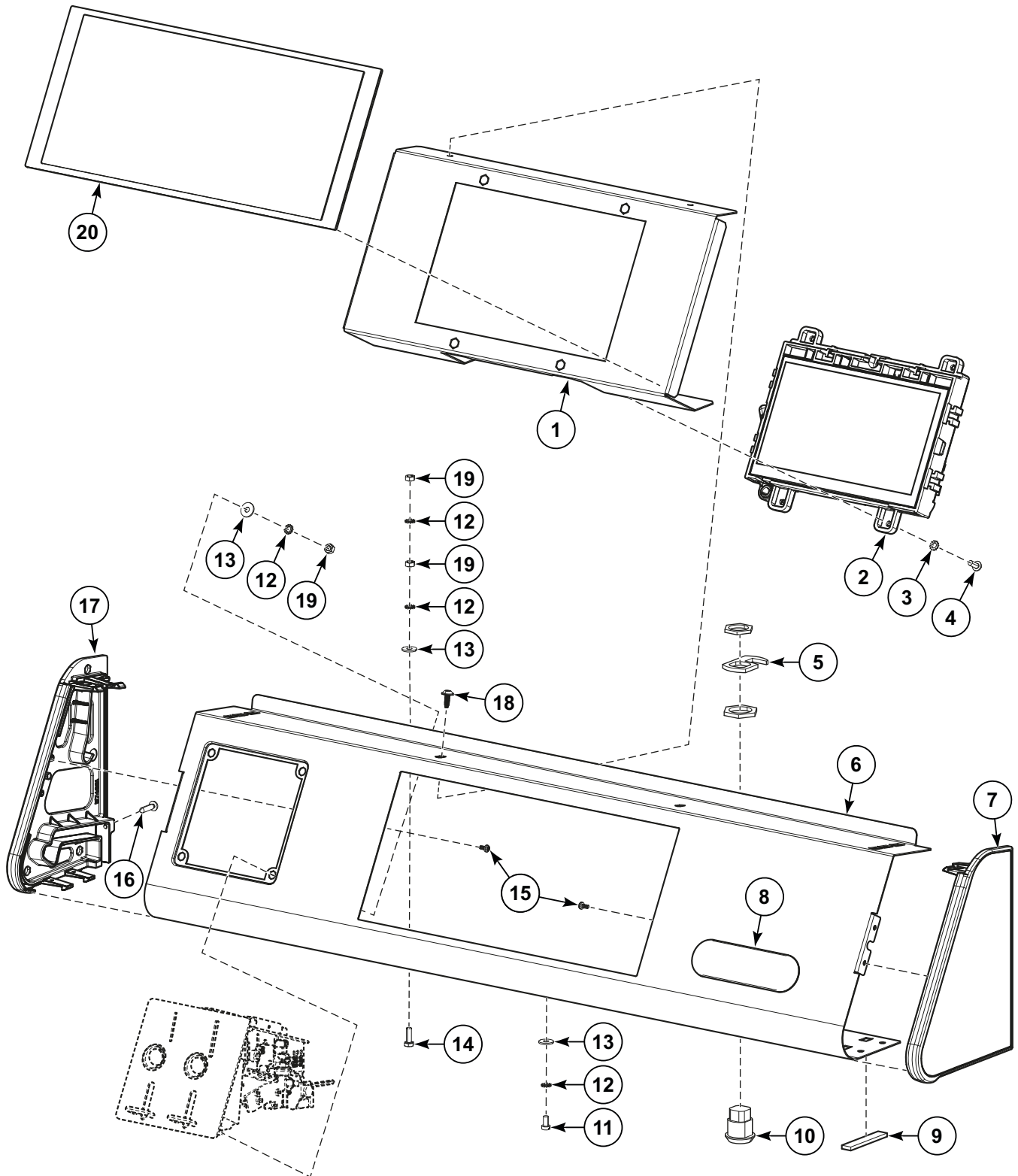
CZW358P_D1617

Control Panel Vended - FX and PY Models

REF	PART NO.	DESCRIPTION	COMMENTS
	SP520033	Emergency Stop Interconnection	
1	573935	Overlay	
	574219	Overlay	OEM
2	SPPRI610002007	Hook Lock	
3	SP547527	Lock	Includes Nuts – 2 pieces
	SP550616	Key	Used with SP547527 Lock
4	SP311125000003	Washer	M3
5	SP311127000003	Washer	3
6	SP309084000308	Bolt	M3x8
7	SP311902100004	Washer	M4
8	SP311679800004	Washer	M4
9	SP309084000408	Bolt	M4x8
10	573929	Sidewall	
11	576070	Sidewall	Right
12	575632	Control	7", MC10
13	576069	Sidewall	Left
14	SP520407	Screw	
15	SP310934000004	Nut	M4
16	SP309933240412	Bolt	M4x12
17	576036	Nose Assembly	Includes item 1 and 573930 Nut
	576045	Nose Assembly	OEM; Includes item 1 and 573930 Nut

Control Panel Vended - FX and PY Models

Models with V in 7th position and with N, U or 8 in 10th position of the model number Starting Serial No. 65FX019625WW



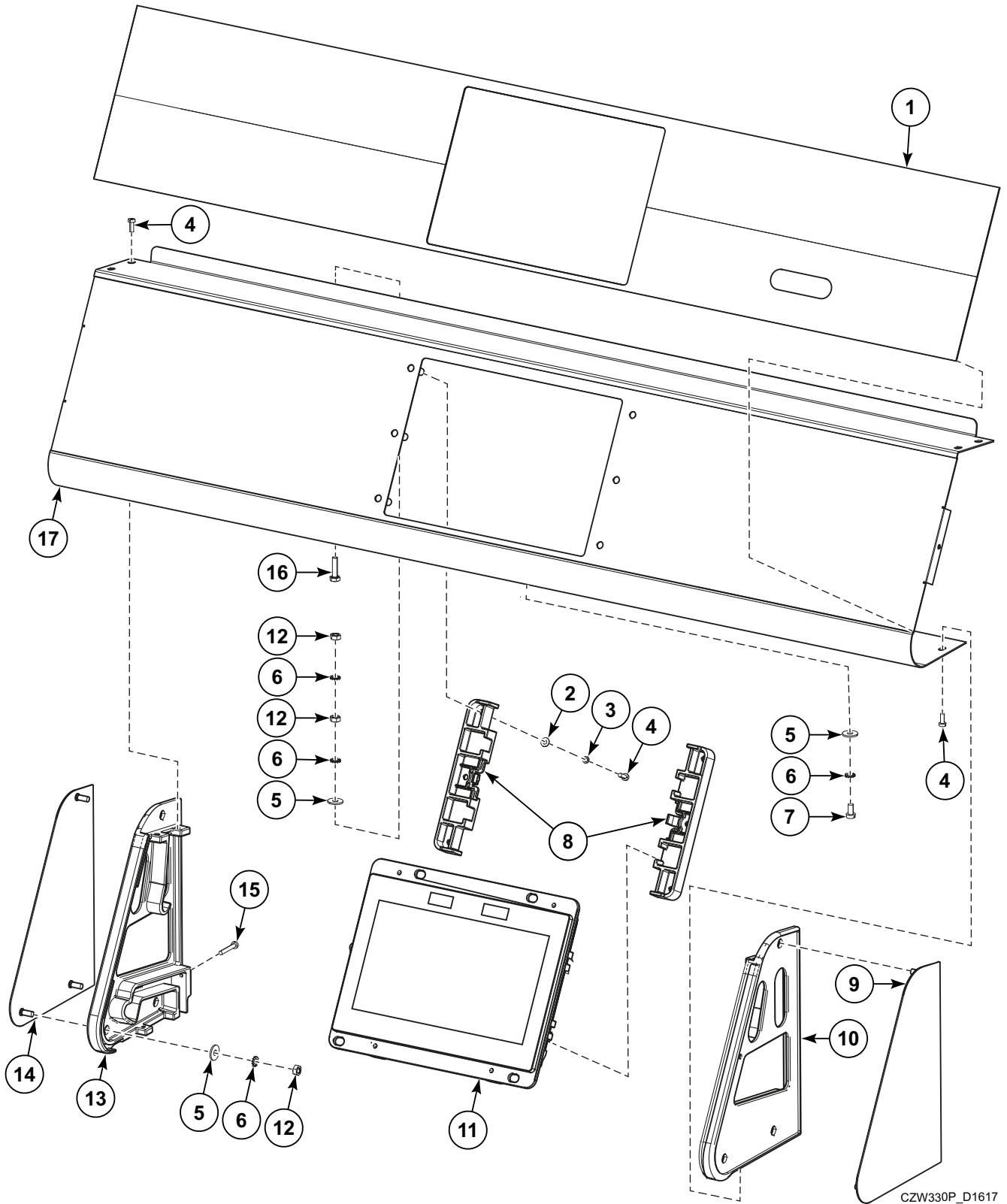
CZW560P_D1714

Control Panel Vended - FX and PY Models

REF	PART NO.	DESCRIPTION	COMMENTS
1	582260	Holder	
2	582285	Control	7", MC10
3	SP311679800004	Washer	M4
4	582307	Bolt	M4x10
5	SPPRI610002007	Hook Lock	Small
6	581630	Nose Assembly	
7	576070	Sidewall	Right
8	567887	Logo	
9	SP284000012003	Tape	0.5m; 2pcs
10	SP547527	Lock	2pcs
	SP550616	Key	Used with SP547527 Lock
11	SP309084000408	Bolt	M4x8
12	SP311679800004	Washer	M4
13	SP311902100004	Washer	M4
14	SP309933240412	Bolt	M4x12
15	582361	Screw	3x6
16	SP520407	Screw	
17	576069	Sidewall	Left
18	SP529206	Screw	4x11
19	SP310934000004	Nut	M4
20	582274	Plastic Window	

Control Panel for Central Payment System - FX and PY Models

Models with V in 7th position and with H or 6 in 10 position of the model number Through Serial No. 65FX015208SH



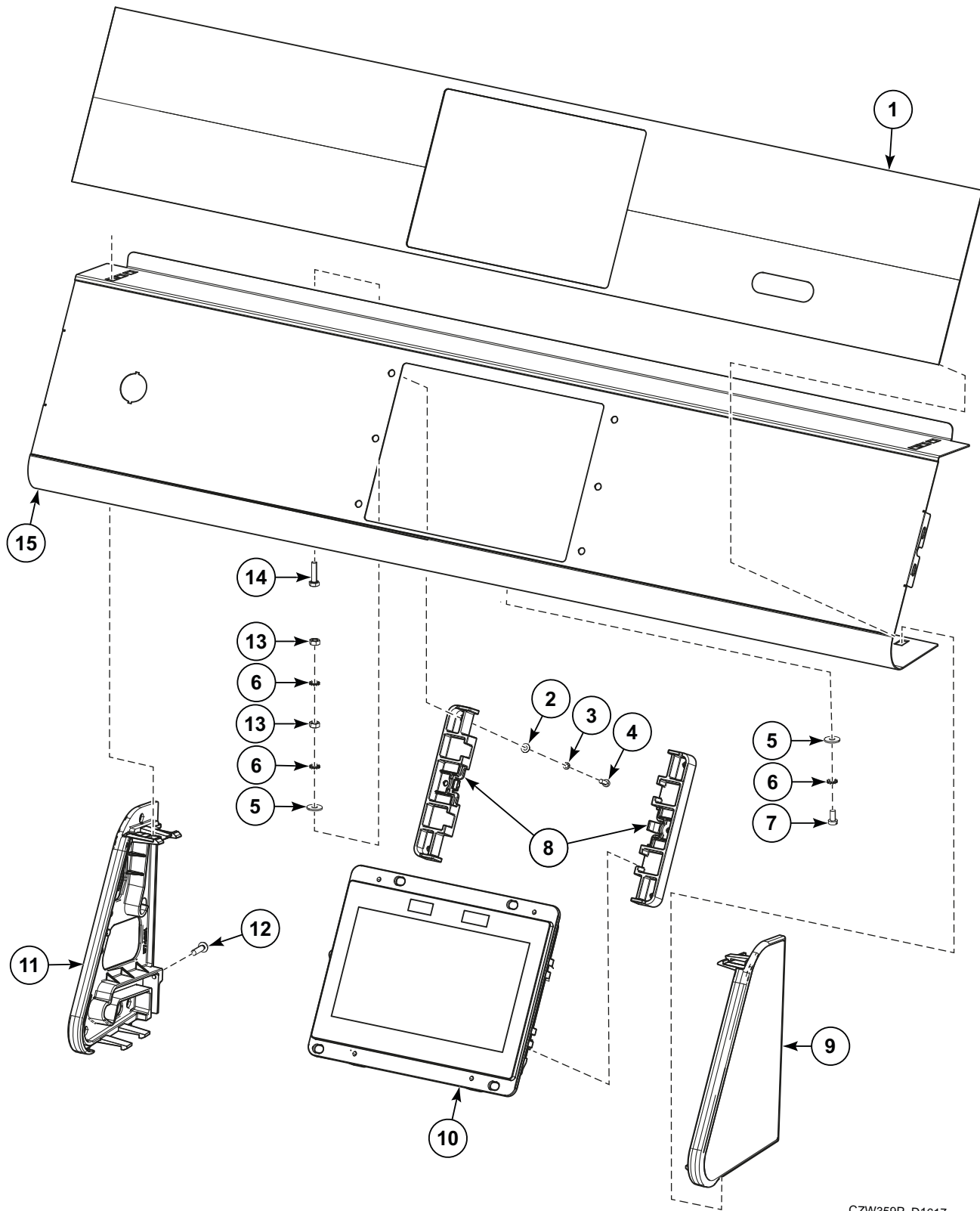
CZW330P_D1617

Control Panel for Central Payment System - FX and PY Models

REF	PART NO.	DESCRIPTION	COMMENTS
	571485	Emergency Stop Interconnection	
1	573950	Overlay	
	574222	Overlay	OEM
2	SP311125000003	Washer	M3
3	SP311127000003	Washer	3
4	SP309084000308	Bolt	M3x8
5	SP311902100004	Washer	M4
6	SP311679800004	Washer	M4
7	SP309084000408	Bolt	M4x8
8	573929	Sidewall	
9	572586	Sidewall	Right
10	572572	Sidewall	Right
11	575632	Control	7", MC10
12	SP310934000004	Nut	M4
13	572571	Sidewall	Left
14	572588	Sidewall	Left
15	SP309084000320	Bolt	M3x20
16	SP309933000416	Bolt	M4x16
17	573953	Nose Assembly	Includes item 1 and 573930 Nut
	574240	Nose Assembly	OEM; Includes item 1 and 573930 Nut

Control Panel for Central Payment System - FX and PY Models

Models with V in 7th position and with H or 6 in 10 position of the model number Starting Serial No. 65FX015209SH



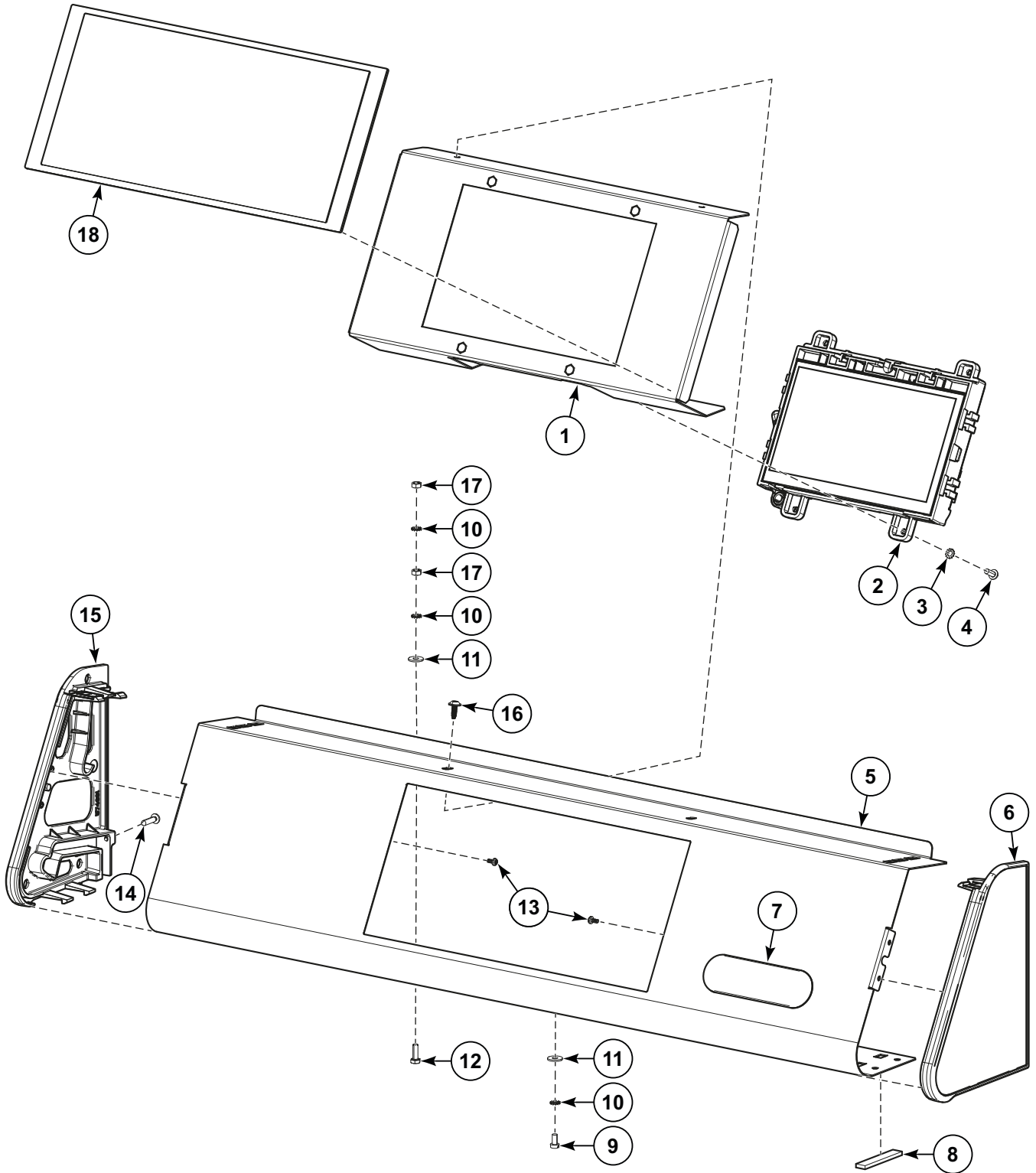
CZW359P_D1617

Control Panel for Central Payment System - FX and PY Models

REF	PART NO.	DESCRIPTION	COMMENTS
	571485	Emergency Stop Interconnection	
1	573950	Overlay	
	574222	Overlay	OEM
2	SP311125000003	Washer	M3
3	SP311127000003	Washer	3
4	SP309084000308	Bolt	M3x8
5	SP311902100004	Washer	M4
6	SP311679800004	Washer	M4
7	SP309084000408	Bolt	M4x8
8	573929	Sidewall	
9	576070	Sidewall	Right
10	575632	Control	7", MC10
11	576069	Sidewall	Left
12	SP520407	Screw	
13	SP310934000004	Nut	M4
14	SP309933240412	Bolt	M4x12
15	576039	Nose Assembly	Includes item 1 and 573930 Nut
	576048	Nose Assembly	OEM; Includes item 1 and 573930 Nut

Control Panel for Central Payment System - FX and PY Models

Models with V in 7th position and with N, U or 8 in 10th position of the model number Starting Serial No. 65FX019625WW



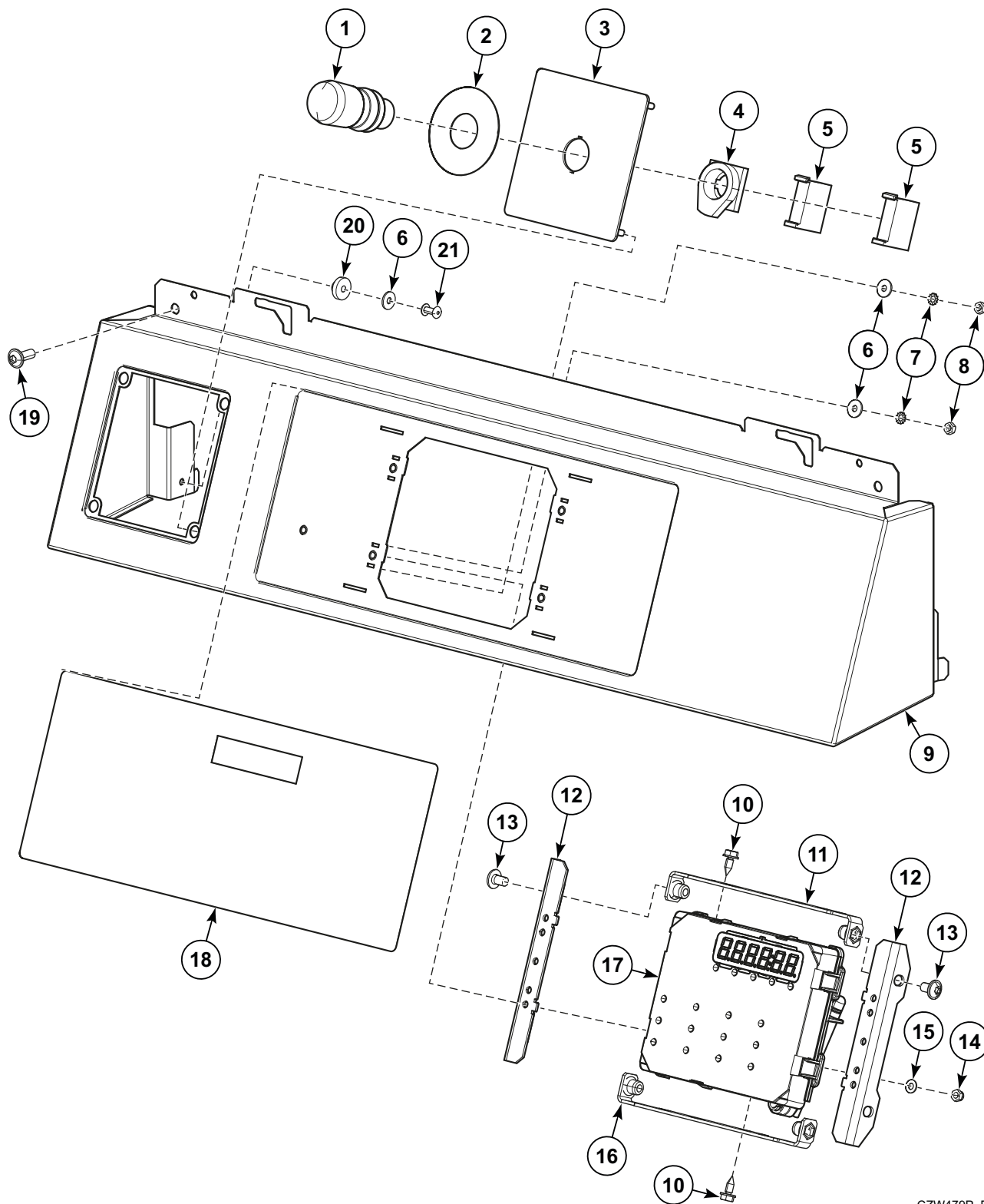
CZW559P_D1714

Control Panel for Central Payment System - FX and PY Models

REF	PART NO.	DESCRIPTION	COMMENTS
1	582260	Holder	
2	582285	Control	7", MC10
3	SP311679800004	Washer	M4
4	582307	Bolt	M4x10
5	581636	Nose Assembly	
6	576070	Sidewall	Right
7	567887	Logo	
8	SP284000012003	Tape	0.5m; 2pcs
9	SP309084000408	Bolt	M4x8
10	SP311679800004	Washer	M4
11	SP311902100004	Washer	M4
12	SP309933240412	Bolt	M4x12
13	582361	Screw	3x6
14	SP520407	Screw	
15	576069	Sidewall	Left
16	SP529206	Screw	4x11
17	SP310934000004	Nut	M4
18	582274	Plastic Window	

Control Panel OPL

Models with G in 7th position of the model number



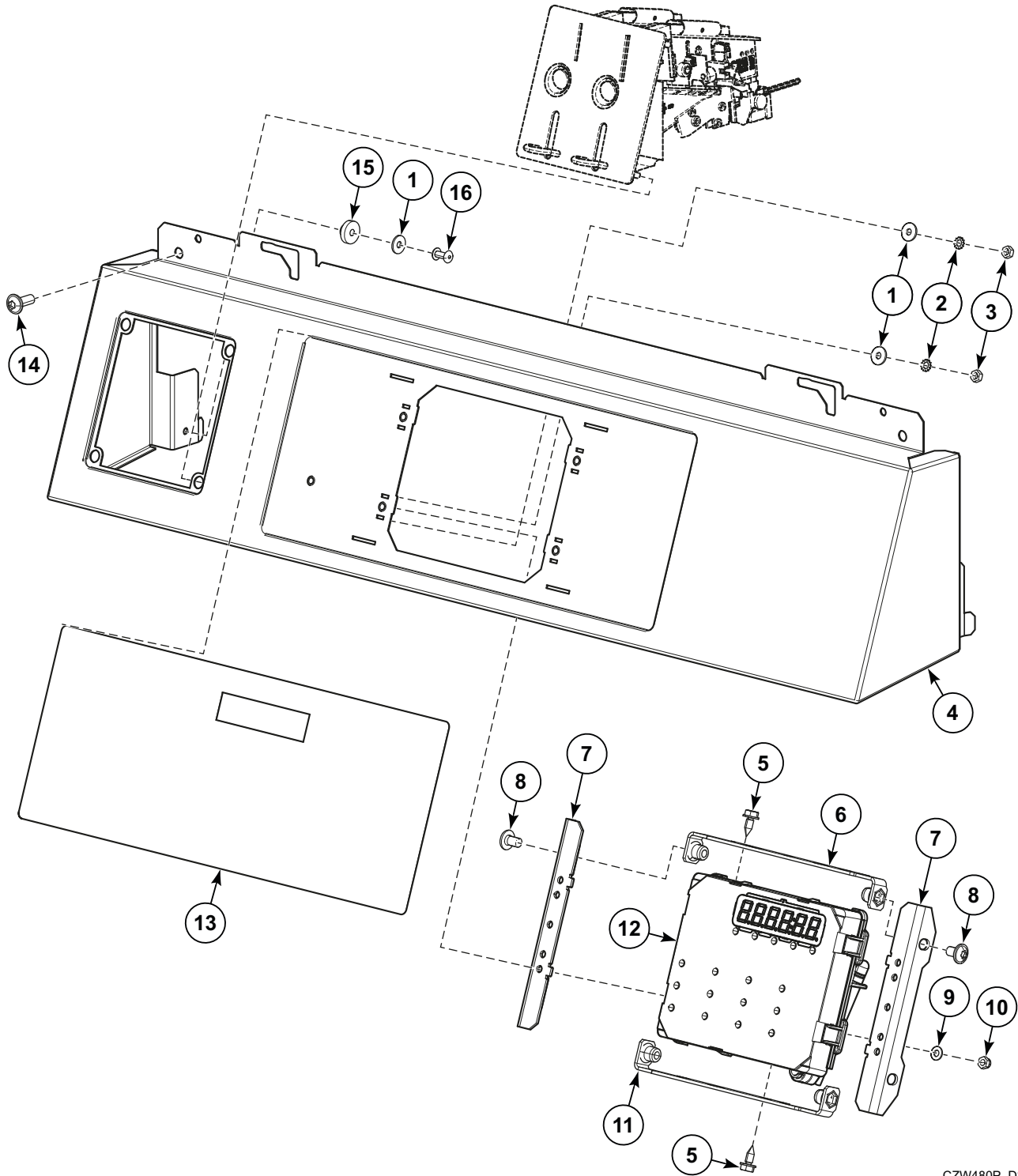
CZW479P_D2064

Control Panel OPL

REF	PART NO.	DESCRIPTION	COMMENTS
1	SP528310	Emergency Stop Knob	Used with SP520032 Emergency Stop Wiring
2	SPPRI551005248	Emergency Stop Label	Yellow
3	SP547565	Coin Meter Cover	
4	SP528311	Emergency Stop Connector	
5	SP528312	Switching Unit	
6	SP311902100004	Washer	M4
7	SP311679800004	Washer	M4
8	SP310934000004	Nut	M4
9	580645	Control Panel	
10	SP100218	Screw	
11	581020	Control Holder	upper
12	581009	Control Support	Includes 1 piece, 2 pieces required
13	SP506012	Bolt	M6x10
14	SP514193	Nut	M4
15	SP311125000004	Washer	4x3
16	581021	Control Holder	lower
17	553446	Control Board	
	575865	Board Interconnection Cable	
18	577656	Keyboard	
19	555658	Bolt	M6x16
20	SP550113	Leading Pin	
21	SP547779	Rivet	4x16.7

Control Panel Vended

Models with G in 7th position of the model number



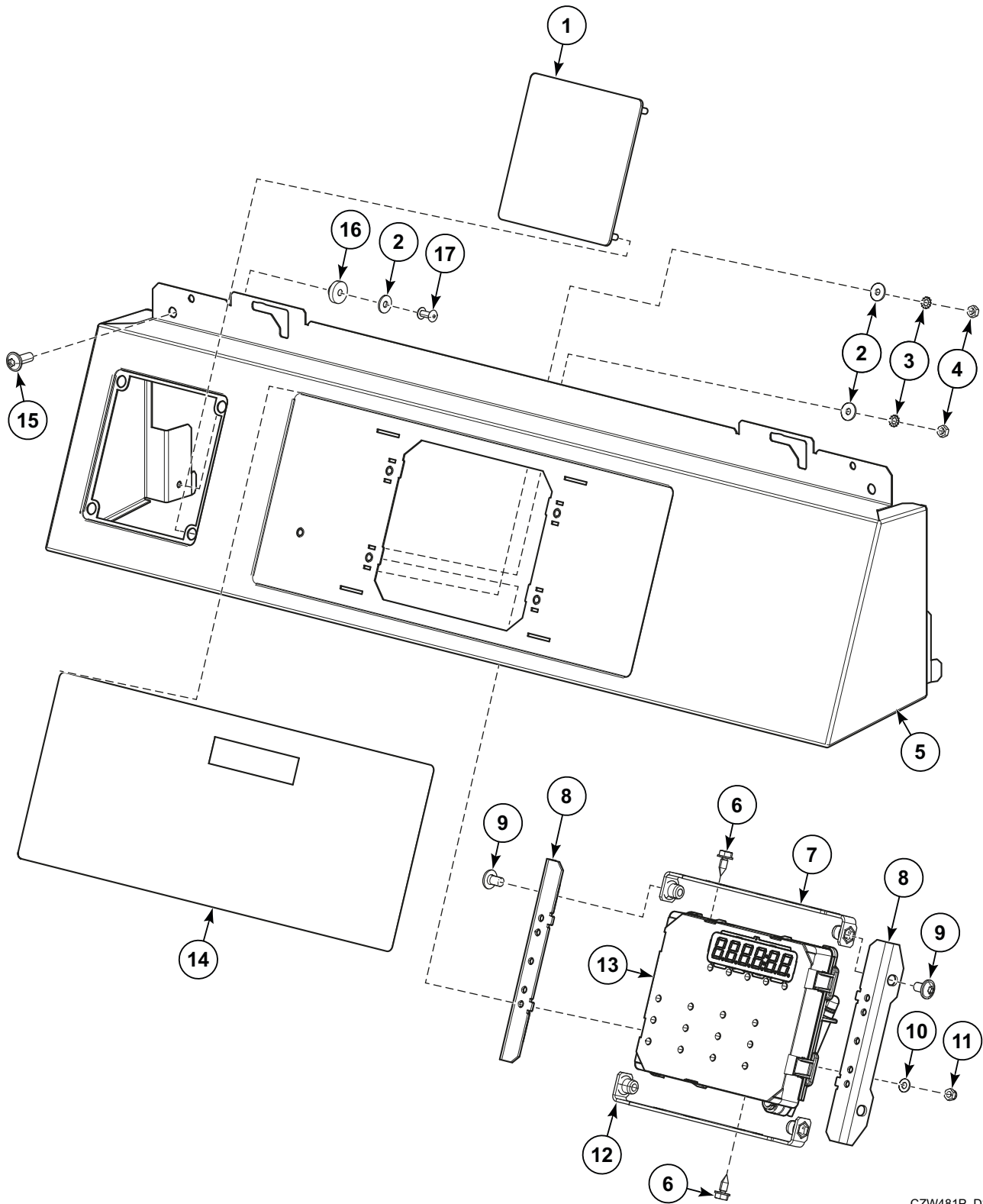
CZW480P_D2064

Control Panel Vended

REF	PART NO.	DESCRIPTION	COMMENTS
	SP520033	Emergency Stop Interconnection	Vend
1	SP311902100004	Washer	M4
2	SP311679800004	Washer	M4
3	SP310934000004	Nut	M4
4	580645	Control Panel	
5	SP100218	Screw	
6	581020	Control Holder	upper
7	581009	Control Support	Includes 1 piece, 2 pieces required
8	SP506012	Bolt	M6x10
9	SP311125000004	Washer	4x3
10	SP514193	Nut	M4
11	581021	Control Holder	lower
12	553446	Control Board	
	575865	Board Interconnection Cable	
13	577656	Keyboard	
14	555658	Bolt	M6x16
15	SP550113	Leading Pin	
16	SP547779	Rivet	4x16.7

Control Panel for Central Payment System

Models with G in 7th position of the model number



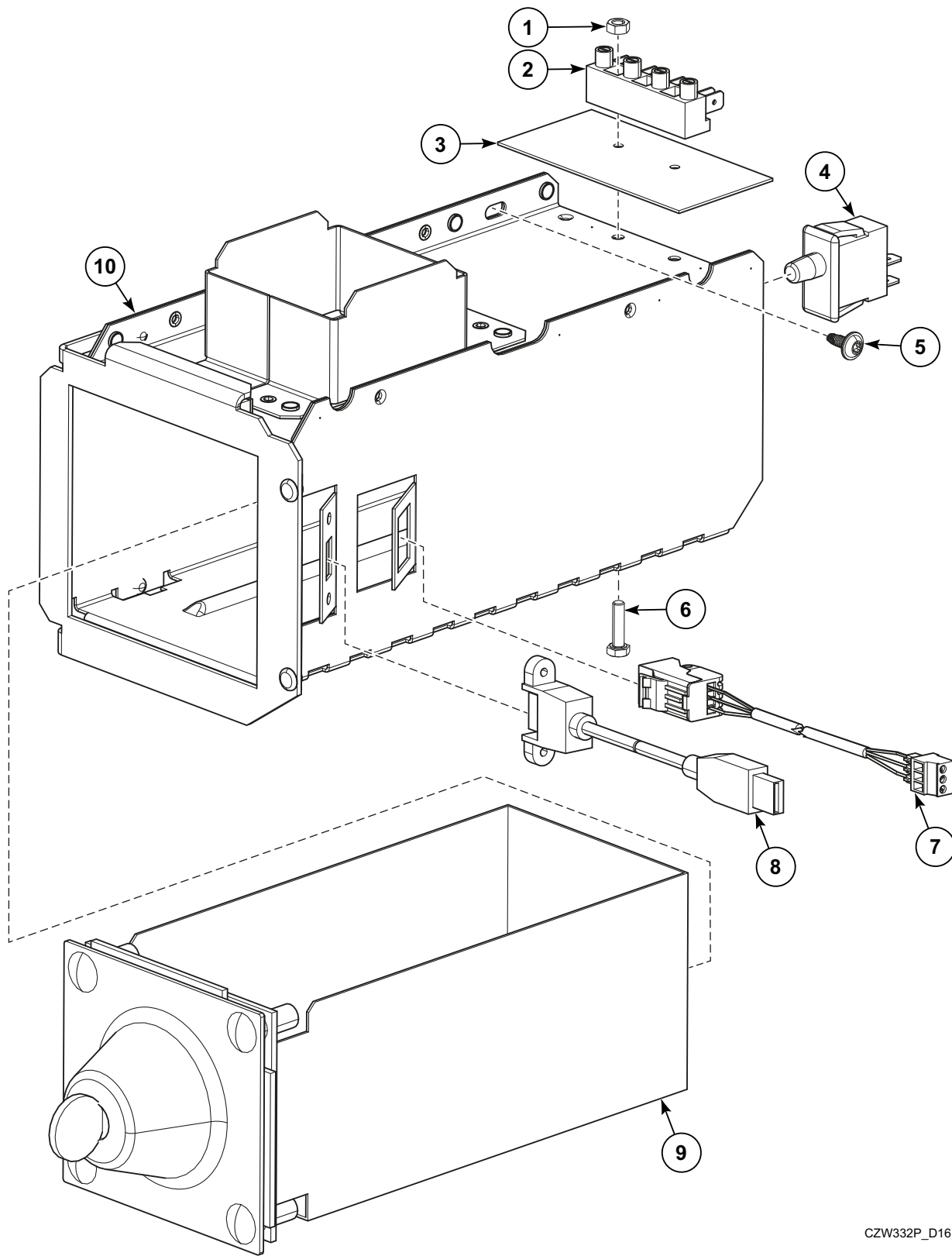
CZW481P_D2064

Control Panel for Central Payment System

REF	PART NO.	DESCRIPTION	COMMENTS
	SP520033	Emergency Stop Interconnection	Central Payment System
1	SP550149	Cover Plate	Central Payment System
2	SP311902100004	Washer	M4
3	SP311679800004	Washer	M4
4	SP310934000004	Nut	M4
5	580645	Control Panel	
6	SP100218	Screw	
7	581020	Control Holder	upper
8	581009	Control Support	Includes 1 piece, 2 pieces required
9	SP506012	Bolt	M6x10
10	SP311125000004	Washer	4x3
11	SP514193	Nut	M4
12	581021	Control Holder	lower
13	553446	Control Board	
	575865	Board Interconnection Cable	
14	577656	Keyboard	
15	555658	Bolt	M6x16
16	SP550113	Leading Pin	
17	SP547779	Rivet	4x16.7

Coin Meter Box

All Models except AF, IY and NY Models with V in 7th position of the model number or AF, IY and NY Models with G, H, J or K in 13th position of the model number



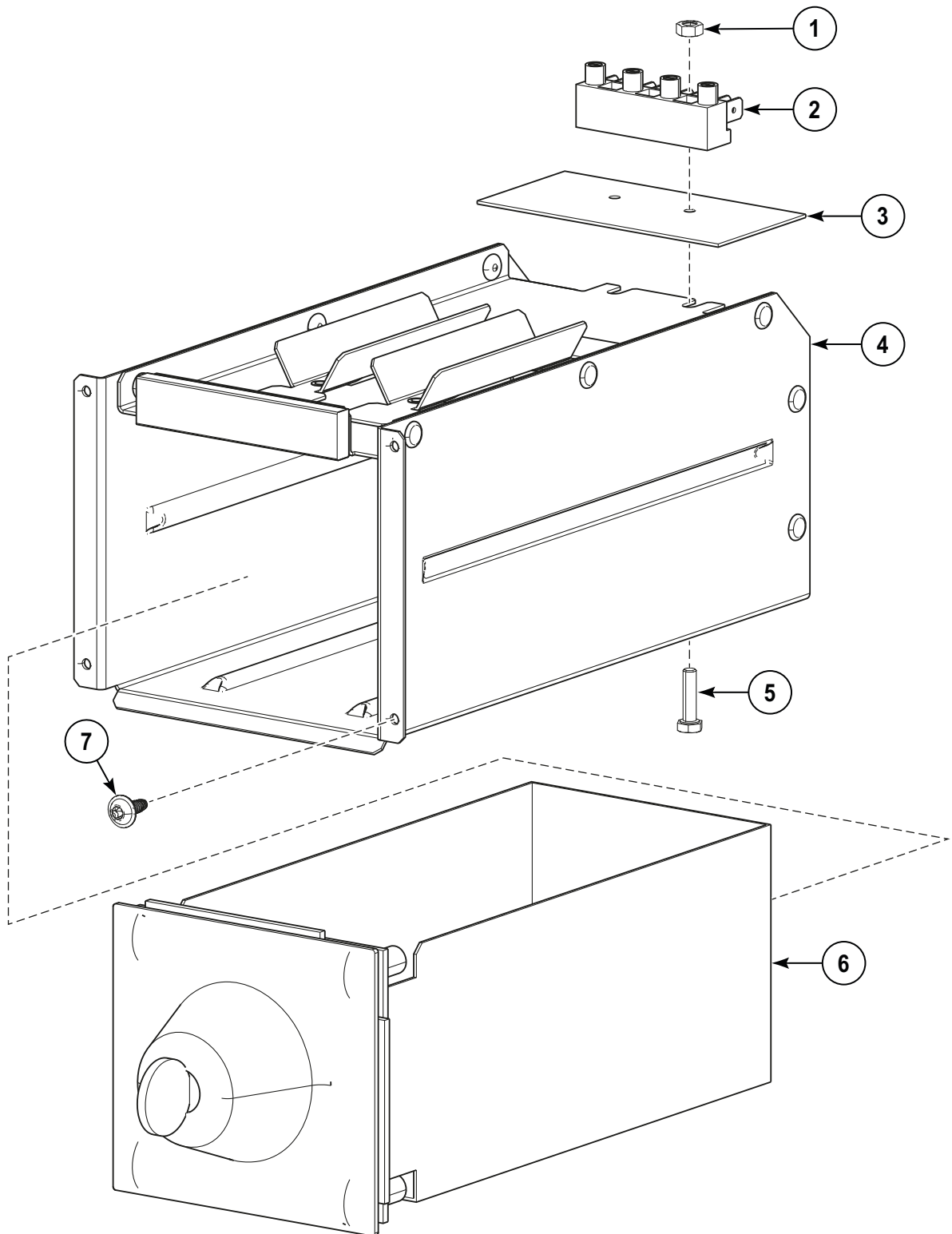
CZW332P_D1617

Coin Meter Box

REF	PART NO.	DESCRIPTION	COMMENTS
1	SP310934000004	Nut	M4
2	SPPRI350000007	Terminal Board	
3	SPPRI350012007	Isolation Paper	
4	N/A	Microswitch	
5	SP529206	Screw	4x11
6	SP309933000416	Bolt	M4x16
7	SP545234	Cable	With connectors; RS485
8	569668	USB Cable	
9	SP102532	Coin Meter Box	Models with A, D, F, I, J, R, T or X in 7th position of the model number
	100498	Coin Meter Box	Models with G or V in 7th position of the model number; Large
10	571049	Coin Meter Case	Models with A, D, F, I, J, R, T or X in 7th position of the model number
	571055	Coin Meter Case	Models with V in 7th position of the model number; Large
	572120	Coin Meter Case	Models with G in 7th position of the model number; Large

Coin Meter Box

AF, IY and NY Models with V in 7th position of the model number or AF, IY and NY Models with G, H, J or K in 13th position of the model number



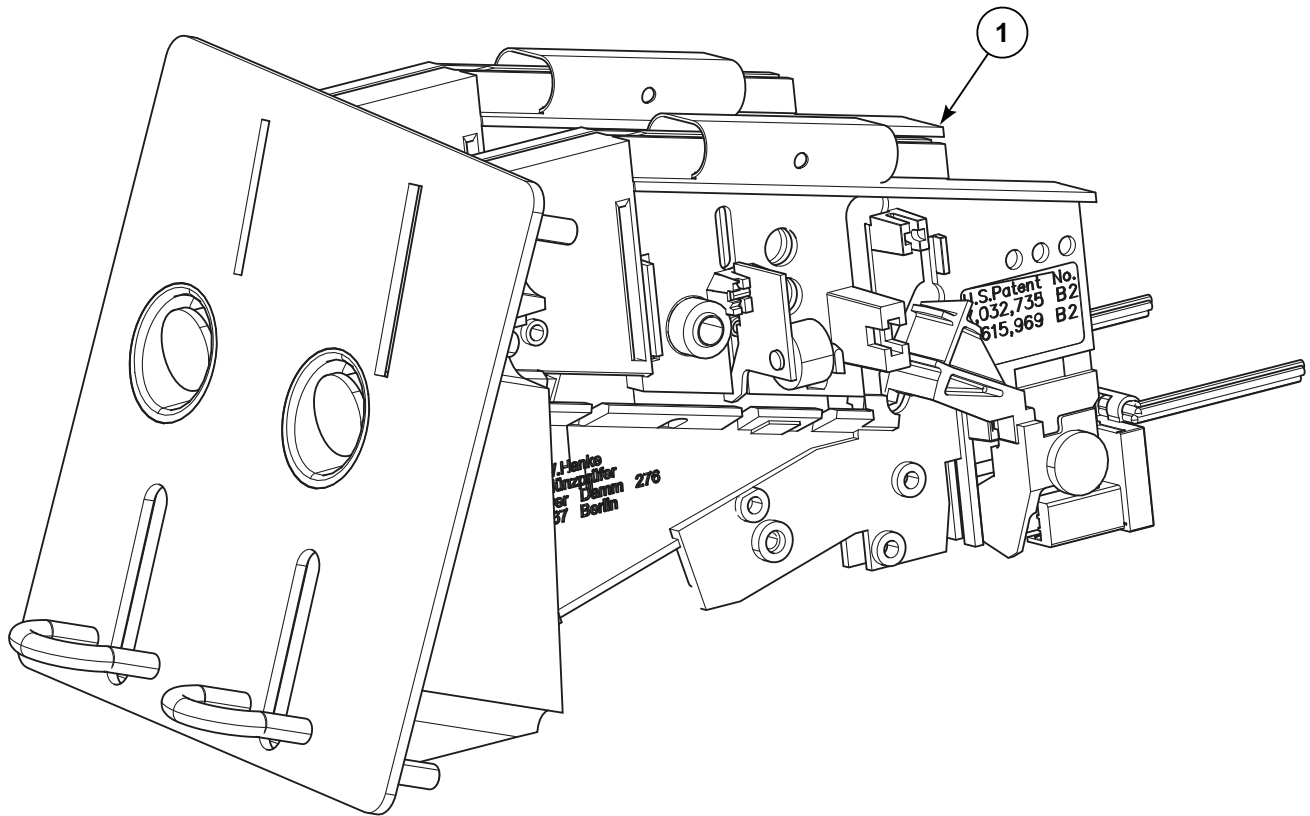
CZW287P_D1617

Coin Meter Box

REF	PART NO.	DESCRIPTION	COMMENTS
1	SP310934000004	Nut	M4
2	SPPRI350000007	Terminal Board	
3	SPPRI350012007	Isolation Paper	
4	573009	Coin Meter Case	
5	SP309933000416	Bolt	M4x16
6	568036	Coin Meter Box	
7	SP529206	Screw	4x11

Coin Meter (Drawing 1 of 4)

FX, HY, PY, SY or UY Models
IY and NY Models with G in 7th position of the model number



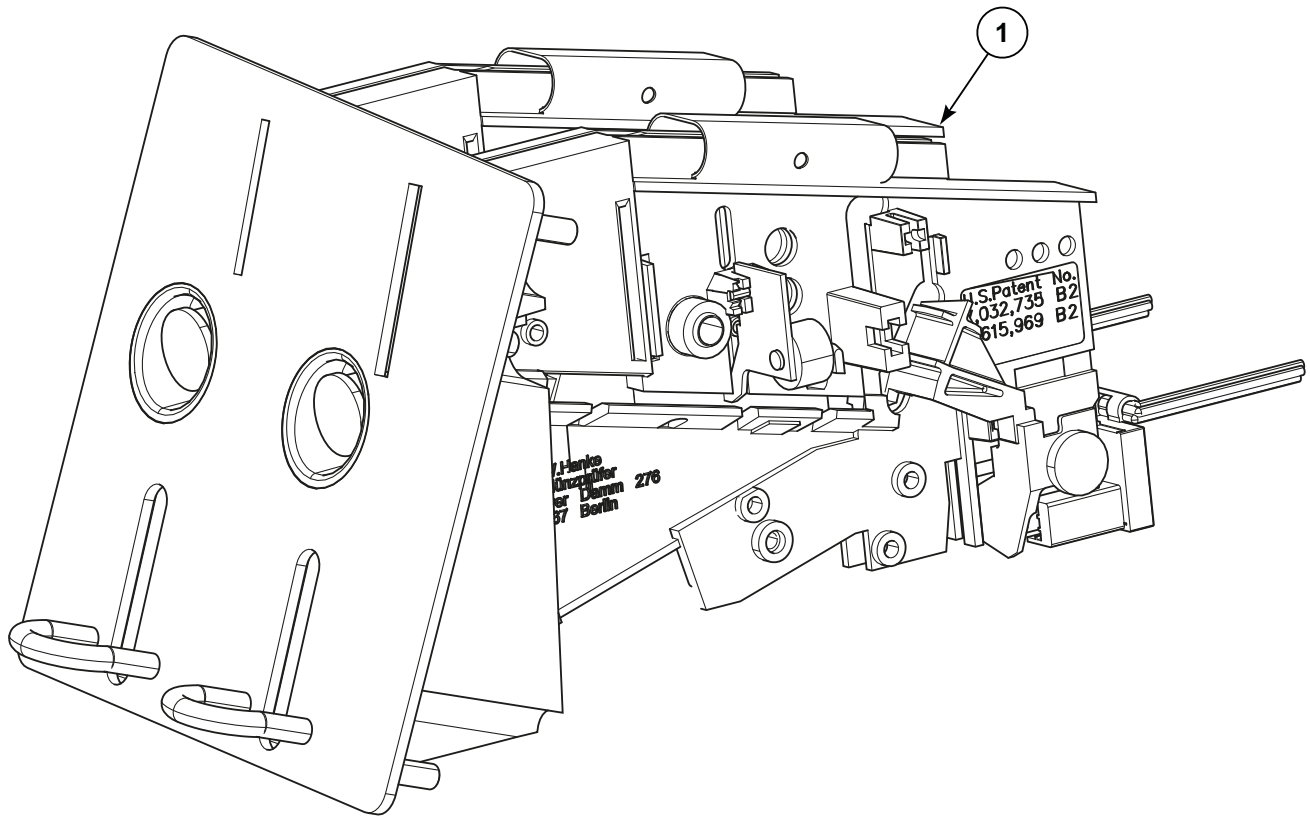
CZT185P_D2408

Coin Meter (Drawing 1 of 4)

REF	PART NO.	DESCRIPTION	COMMENTS
1	SP547601	Coin Meter	5K Primus jeton
	SP547602	Coin Meter	7K Primus jeton
	SP547603	Coin Meter	10K Primus jeton
	SP547604	Coin Meter	12K Primus jeton
	SP547605	Coin Meter	15K Primus jeton
	SP547606	Coin Meter	D jeton
	SP547648	Coin Meter	0.05EUR
	SP547638	Coin Meter	0.2EUR
	SP547616	Coin Meter	0.5EUR
	SP547614	Coin Meter	1EUR
	SP547647	Coin Meter	2EUR
	SP547622	Coin Meter	0.2EUR + 0.5EUR
	SP547639	Coin Meter	0.2EUR + 1EUR
	SP547617	Coin Meter	0.5EUR + 1EUR
	SP547656	Coin Meter	0.5EUR + 2EUR
	SP547631	Coin Meter	1EUR + 2EUR
	SP547652	Coin Meter	7K + D jeton
	SP547666	Coin Meter	7K jeton and 2EUR
	SP547665	Coin Meter	D jeton and 2EUR
	SP547600	Coin Meter	1AUD + 20C
	SP547607	Coin Meter	1POND + 20PC
	SP547608	Coin Meter	1POND + 50PC
	SP547609	Coin Meter	100YEN
	SP547610	Coin Meter	500JPY + 100JPY
	SP547611	Coin Meter	5DKK
	SP547612	Coin Meter	20DKK
	SP547613	Coin Meter	5ILS + 1ILS
	SP547615	Coin Meter	1MYR
	SP547618	Coin Meter	1DKK + 5DKK
	SP547619	Coin Meter	10NOK + 20NOK
	SP547620	Coin Meter	2DKK + 5DKK
	SP547621	Coin Meter	5NOK
	SP547623	Coin Meter	1NZD + 2NZD
	SP547624	Coin Meter	10 NOK
	SP547625	Coin Meter	10NT + 50NT
	SP547626	Coin Meter	2DKK
	SP547627	Coin Meter	Lucky Winner jeton
	SP547628	Coin Meter	10TWD
	SP547629	Coin Meter	10CZK + 20CZK
	SP547630	Coin Meter	7K Equipos Par Lavar jeton
	569921	Coin Meter	0.2GBP, 0.5GBP, 1GBP, 2GBP, 0.1EUR, 0.2EUR, 0.5EUR, 1EUR, 2EUR; Electronic EMPv7
	SP547634	Coin Meter	500WON
	SP547635	Coin Meter	0.25USD
	SP547636	Coin Meter	1AUD + 2AUD
	SP547640	Coin Meter	Sun Wash jeton

Coin Meter (Drawing 2 of 4)

FX, HY, PY, SY or UY Models
IY and NY Models with G in 7th position of the model number



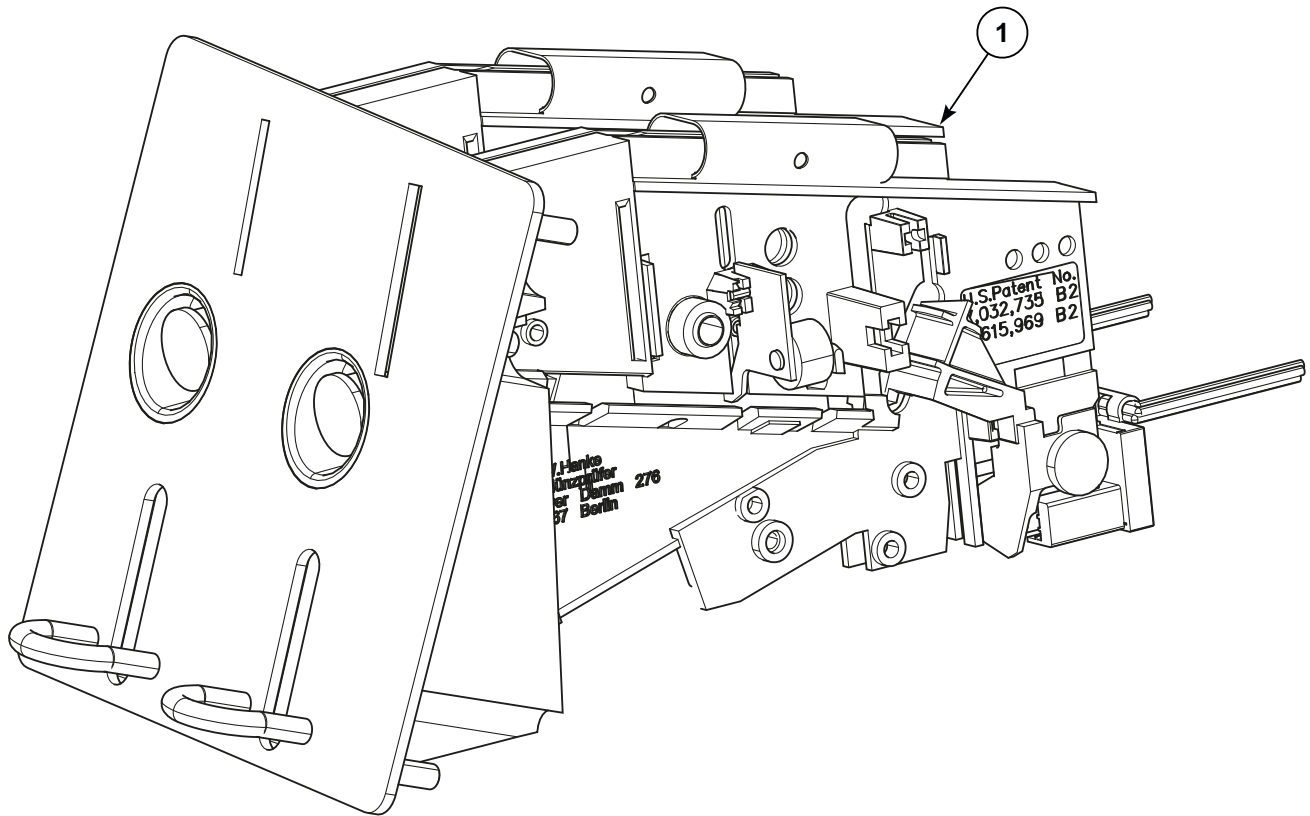
CZT185P_D2408

Coin Meter (Drawing 2 of 4)

REF	PART NO.	DESCRIPTION	COMMENTS
1	SP547641	Coin Meter	2DK + 10DK
	SP547642	Coin Meter	1AUD
	SP547643	Coin Meter	1CHF
	SP547644	Coin Meter	5NOK + 10NOK
	SP547645	Coin Meter	1 TopMos jeton + 1LEV jeton
	SP547646	Coin Meter	1 Vendo jeton
	SP547649	Coin Meter	1 jeton
	569951	Coin Meter	0.5MAD, 1MAD, 2MAD, 5MAD, 10MAD; Electronic EMPv7
	SP547651	Coin Meter	20 penny
	SP547653	Coin Meter	1 Wascator jeton, jeton diamater 22.2 mm
	SP547654	Coin Meter	1 Unibel jeton, jeton diamater 18.55 mm
	SP547657	Coin Meter	50HUF + 100HUF
	SP547658	Coin Meter	1 jeton without coining, jeton diamater 20 mm
	SP547659	Coin Meter	1 Volund jeton, jeton diamater 22.5 mm
	SP547660	Coin Meter	1 Wascator jeton, jeton diamater 19 mm
	SP547661	Coin Meter	1 Miele jeton
	SP547662	Coin Meter	1 jeton without coining, jeton diamater 26 mm
	SP547663	Coin Meter	Three-groove jeton; jeton diamater 27 mm
	SP547664	Coin Meter	Three-groove jeton; jeton diamater 24.9 mm
	SP537996	Coin Meter	Top-Mosr jeton
	SP547667	Coin Meter	Milano Italy jeton
	SP547668	Coin Meter	5PLN + 1PLN
	SP547669	Coin Meter	Two-grooves jeton; jeton diamater 27 mm
	SP547670	Coin Meter	A.S.A.R.D. jeton, jeton diamater 25.8 mm
	SP547671	Coin Meter	20CZK
	SP547672	Coin Meter	Jeton ASARD, jeton diamater 22.3 mm
	SP547673	Coin Meter	Jeton Laundromatic Belgium, jeton diamater 22.3 mm
	SP547674	Coin Meter	1SGD
	SP547675	Coin Meter	Jeton Asard Wascator, jeton diamater 19.9 mm
	SP555502	Coin Meter	Easy Games jeton
	SP555543	Coin Meter	Brev.C jeton
	SP555546	Coin Meter	50 Malaysian cent
	SP555549	Coin Meter	Flat Polis jeton
	SP555550	Coin Meter	Butzi Wash jeton
	SP555578	Coin Meter	1 New Singapore Dollar
	SP555558	Coin Meter	Copper without grooves jeton
	569939	Coin Meter	0.1SGD, 0.2SGD, 0.5SGD, 1SGD; Electronic EMPv7
	SP555666	Coin Meter	2x50 Malaysian cent
	569933	Coin Meter	0.1EUR, 0.2EUR, 0.5EUR, 1EUR, 2EUR; Electronic EMPv7
	SP555559	Coin Meter	Speedy Matic jeton
	SP555579	Coin Meter	Was-Salon Lavoir jeton.
	569948	Coin Meter	5CZK, 10CZK, 20CZK, 50CZK; Electronic EMPv7
	SP560744	Coin Meter	Electronic for Dobi Ekspress jeton
	569964	Coin Meter	0.2GBP, 0.5GBP, 1GBP, 2GBP, 0.1EUR, 0.2EUR, 0.5EUR, 1EUR, 2EUR, jeton "KWL Aqua", jeton "Gettone"; Electronic EMPv7
	SP560089	Coin Meter	STD 118-1 jeton

Coin Meter (Drawing 3 of 4)

FX, HY, PY, SY or UY Models
IY and NY Models with G in 7th position of the model number



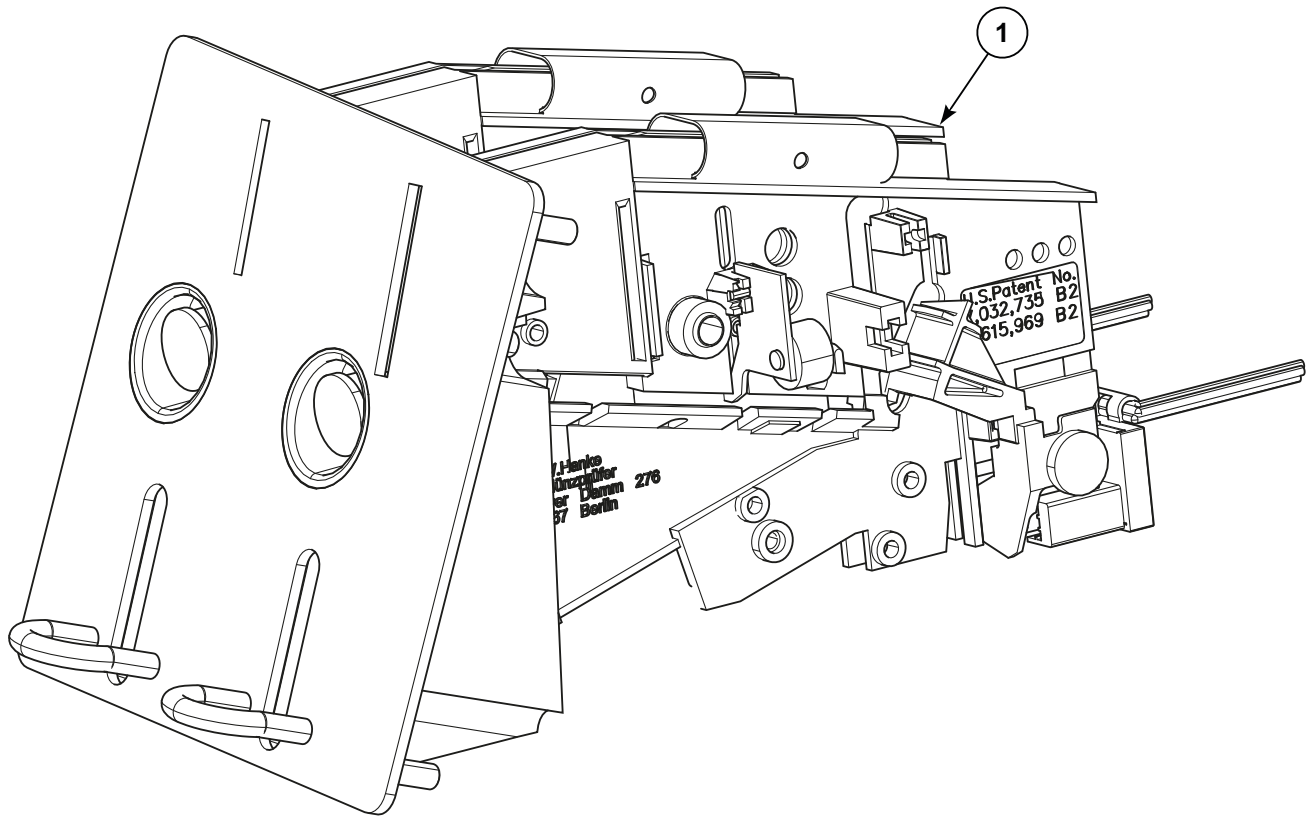
CZT185P_D2408

Coin Meter (Drawing 3 of 4)

REF	PART NO.	DESCRIPTION	COMMENTS
1	SP560082	Coin Meter	5k IPSO jeton
	SP560083	Coin Meter	7k IPSO jeton
	SP560084	Coin Meter	10k IPSO jeton
	SP560085	Coin Meter	12k IPSO jeton
	SP560086	Coin Meter	15k IPSO jeton
	561378	Coin Meter	10 Moroccan Dirham
	569918	Coin Meter	0.25USD, 1USD, 0.25CAD, 1CAD, 2CAD; Electronic EMPv7
	560073	Coin Meter	0.25 USD/1 USD
	569930	Coin Meter	1CNY, 0.1MYR, 0.2MYR, 0.5MYR; Electronic EMPv7
	569927	Coin Meter	0.2AUD, 1AUD, 2AUD, 0.2NZD, 1NZD, 2NZD, 5HKD, 10HKD, 500KRW; Electronic EMPv7
	561496	Coin Meter	Jeton Grupo Azkoyen CDS Automaten
	569936	Coin Meter	1PHP, 5PHP, 10PHP; Electronic EMPv7
	569942	Coin Meter	0.1MYR, 0.2MYR, 0.5MYR, 0.5SGD, 1SGD; Electronic EMPv7
	569945	Coin Meter	1HRK, 2HRK, 5HRK; Electronic EMPv7
	569924	Coin Meter	1DKK, 2DKK, 5DKK, 10DKK, 20DKK, 1NOK, 5NOK, 10NOK, 20NOK, 0.2EUR, 0.5EUR, 1EUR, 2EUR; Electronic EMPv7
	564484	Coin Meter	Jeton 118-5
	564486	Coin Meter	Jeton Barisart (LDL)
	569961	Coin Meter	0.1EUR, 0.2EUR, 0.5EUR, 1EUR, 2EUR, jeton IPSO 5K; Electronic EMPv7
	564489	Coin Meter	Jeton Sporrong
	569970	Coin Meter	0.5MYR, jeton "DOBI PAPA"; Electronic EMPv7
	553150	Coin Meter	Jeton with hole
	553151	Coin Meter	Jeton Deton Wash
	569901	Coin Meter	Brass jeton
	569912	Coin Meter	Jeton Wassalon lavoir
	569954	Coin Meter	1PLN, 2PLN, 5PLN, 0.1EUR, 0.2EUR, 0.5EUR, 1EUR, 2EUR, 10ISK, 50ISK, 100ISK; Electronic EMPv7
	569967	Coin Meter	0.1EUR, 0.2EUR, 0.5EUR, 1EUR, 2EUR, jeton G-FIS "LAVOIR BIANCA"; Electronic EMPv7
	569973	Coin Meter	1AUD, 2AUD, jeton "No Cash Value"; Electronic EMPv7
	569979	Coin Meter	0.5MYR, jeton "BUBBLELAB"; Electronic EMPv7
	569987	Coin Meter	Jeton HAUCK 2018
	569998	Coin Meter	100+500 ISK
	572301	Coin Meter	Token 118-16
	572304	Coin Meter	1ILS, 2ILS, 5ILS, 10ILS; Electronic EMPv7
	572307	Coin Meter	1ZAR, 2ZAR, 5ZAR; Electronic EMPv7
	572310	Coin Meter	5RUB, 10RUB; Electronic EMPv7
	572313	Coin Meter	50CLP, 100CLP, 500CLP; Electronic EMPv7
	572317	Coin Meter	100JPY, 500JPY, 10TWD, 50TWD; Electronic EMPv7
	572320	Coin Meter	0.5GEL, 1GEL, 2GEL; Electronic EMPv7
	572323	Coin Meter	0.2 EUR, 0.5EUR, 1EUR, 2EUR, Jeton 7K; Electronic EMPv7
	579812	Coin Meter	20HUF, 50HUF, 100HUF, 200HUF; Electronic EMPv7
	SP547637	Coin Meter	5DK + 10DK

Coin Meter (Drawing 4 of 4)

FX, HY, PY, SY or UY Models
IY and NY Models with G in 7th position of the model number



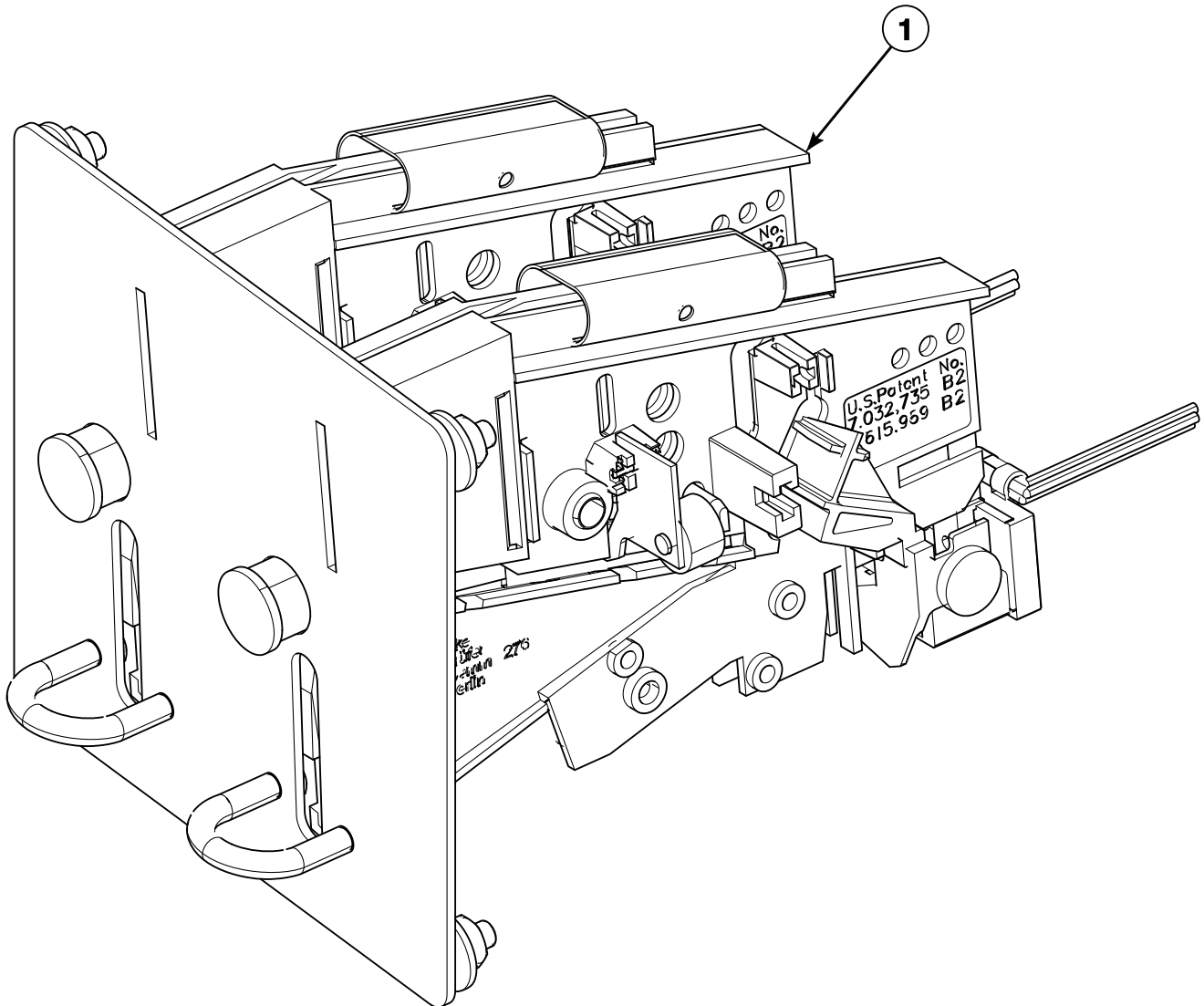
CZT185P_D2408

Coin Meter (Drawing 4 of 4)

REF	PART NO.	DESCRIPTION	COMMENTS
1	572339	Coin Meter	Getton Jeton (26mm diameter x 1.7mm)
	572342	Coin Meter	Token WH121
	579808	Coin Meter	1EAD, 1TK, 2TK; Electronic EMPv7
	579812	Coin Meter	20 HUF, 50HUF, 100HUF, 200HUF; 1TK, 2TK, Jeton; Electronic EMPv7
	572383	Coin Meter	0.2CHF, 0.5CHF, 1CHF, 2CHF; 1TK, 2TK Jeton; Electronic EMPv7
	572391	Coin Meter	0.25CAD
	572358	Coin Meter	1THB, 2THB, 5THB, 10THB; 1TK, 2TK Jeton; Electronic EMPv7

Coin Meter (Drawing 1 of 3)

AF, IY and NY Models with V in 7th position of the model number or AF, IY and NY Models with G, H, J or K in 13th position of the model number



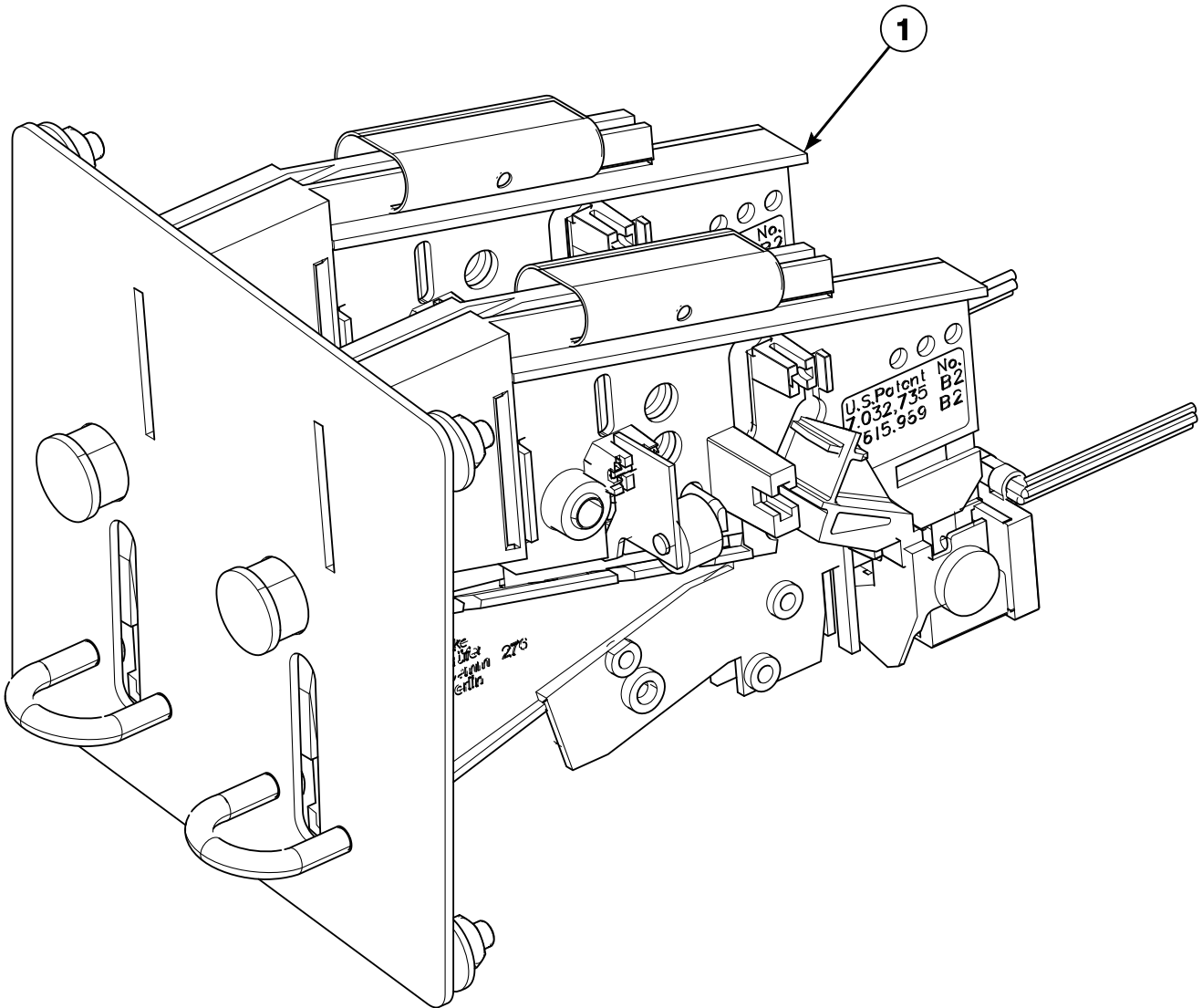
CZW233P_D1617

Coin Meter (Drawing 1 of 3)

REF	PART NO.	DESCRIPTION	COMMENTS
1	SP568002	Coin Meter	GBP / EUR; Electronic EMPv7
	SP568003	Coin Meter	5K jeton
	SP568004	Coin Meter	7K jeton
	SP568005	Coin Meter	10K jeton
	SP568006	Coin Meter	12K jeton
	SP568007	Coin Meter	15K jeton
	SP568008	Coin Meter	5K jeton
	SP568009	Coin Meter	1EUR
	SP568010	Coin Meter	0.5EUR
	SP568011	Coin Meter	1EUR + 2EUR
	SP568012	Coin Meter	2EUR
	SP568013	Coin Meter	0.2EUR + 0.5EUR
	SP568014	Coin Meter	0.25EUR
	SP568015	Coin Meter	0.2EUR + 1EUR
	SP568016	Coin Meter	0.5EUR + 2EUR
	SP568017	Coin Meter	0.25EUR
	575218	Coin Meter	1 Singapore dollar
	575219	Coin Meter	1NZD and 2NZD
	575220	Coin Meter	Easy games jeton
	575221	Coin Meter	Flat polis jeton
	575222	Coin Meter	Butzi wash jeton
	575223	Coin Meter	Speedy matic jeton
	575224	Coin Meter	Laundromatic Belgium jeton; Diameter 22.3mm
	575225	Coin Meter	500WON
	575226	Coin Meter	Dobi ekspres jeton
	575227	Coin Meter	Lucky winner jeton
	575228	Coin Meter	Gettone jeton
	575229	Coin Meter	10 Taiwan dollar
	575230	Coin Meter	Electrolux Asard jeton
	575231	Coin Meter	Gettone jeton
	575232	Coin Meter	5+1 Shekel
	575233	Coin Meter	1HKD
	575234	Coin Meter	Jeton Prinz Firbitex
	575235	Coin Meter	Token Ldl Chamberland Washing Machine
	575236	Coin Meter	Token 118-5
	575237	Coin Meter	Token Barisart (Ldl)
	575238	Coin Meter	Token Rotondi
	575239	Coin Meter	Brass jeton
	575240	Coin Meter	0.5CHF + 2CHF
	575241	Coin Meter	Jeton HAUCK 2018
	575242	Coin Meter	Jeton 08 MS, diameter 24.9mm
	575243	Coin Meter	Jeton D
	575244	Coin Meter	10+50 TWD
	575245	Coin Meter	100+500 ISK
	575246	Coin Meter	Token 118-16
	575247	Coin Meter	Token WH121
	575248	Coin Meter	Token Nr. 1699360

Coin Meter (Drawing 2 of 3)

AF, IY and NY Models with V in 7th position of the model number or AF, IY and NY Models with G, H, J or K in 13th position of the model number



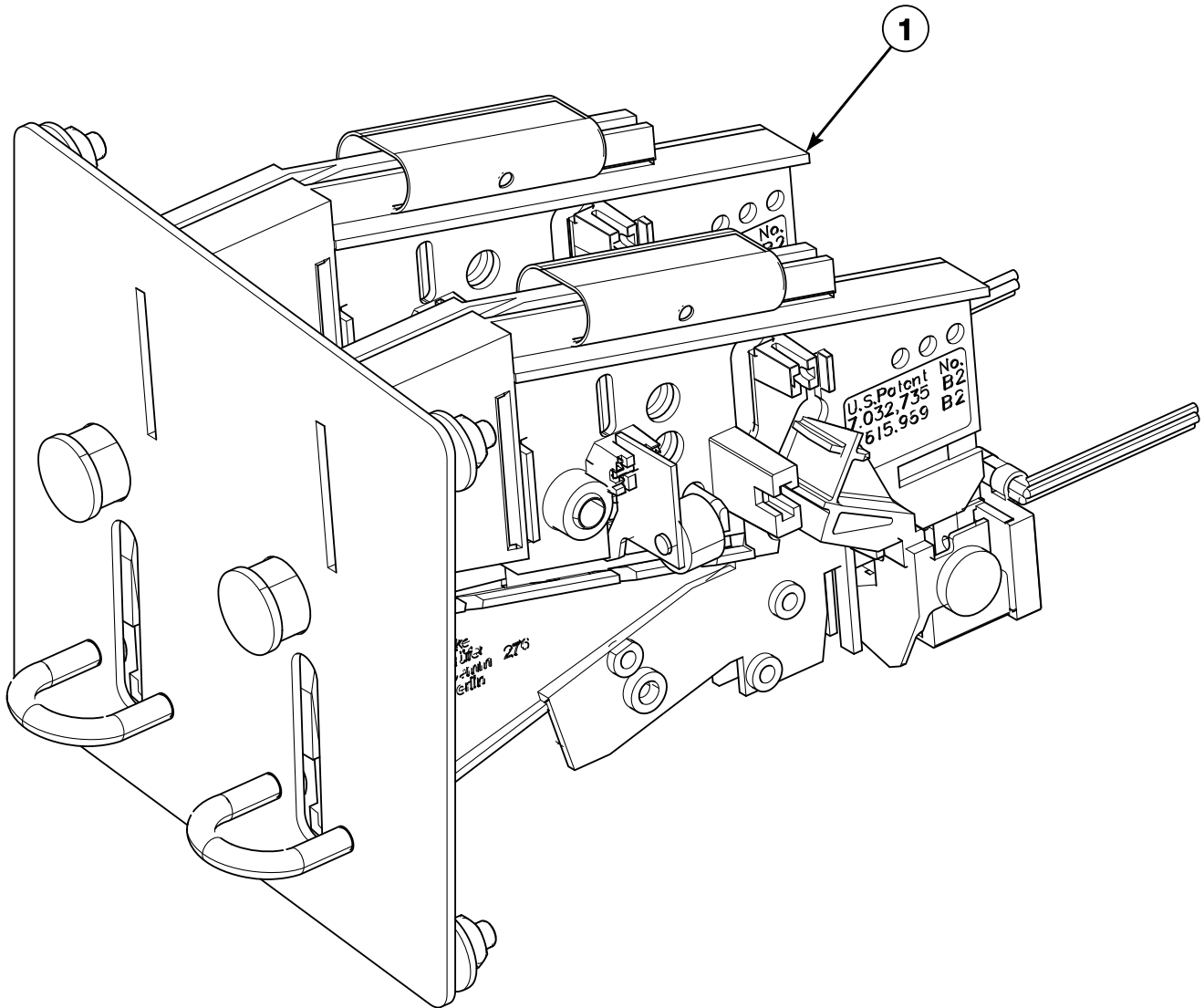
CZW233P_D1617

Coin Meter (Drawing 2 of 3)

REF	PART NO.	DESCRIPTION	COMMENTS
1	575278	Coin Meter	0.25USD + 1USD
	575279	Coin Meter	0.25CAD + 1CAD
	575249	Coin Meter	0.25USD + 1USD; 0.25CAD + 1CAD + 2CAD; TK1 + TK2; Electronic EMPv7
	568002	Coin Meter	0.2GBP + 0.5GBP + 1GBP + 2GBP; 0.1EUR + 0.2EUR + 0.5EUR + 1EUR + 2EUR; TK1 + TK2; Electronic EMPv7
	575250	Coin Meter	1DKK + 2DKK + 5DKK + 10DKK + 20DKK; 1NOK + 5NOK + 10NOK + 20NOK; 0.2EUR + 0.5EUR + 1EUR + 2EUR; TK1 + TK2; Electronic EMPv7
	575251	Coin Meter	0.2AUD + 1AUD + 2AUD; 0.2NZD + 1NZD + 2NZD; 5HKD + 10HKD; 500KRW; TK1 + TK2; Electronic EMPv7
	575252	Coin Meter	1CNY; 0.1MYR + 0.2MYR + 0.5MYR; TK1 + TK2; Electronic EMPv7
	575253	Coin Meter	0.1EUR + 0.2EUR + 0.5EUR + 1EUR + 2EUR; TK1 + TK2; Electronic EMPv7
	575254	Coin Meter	1PHP + 5PHP + 10PHP; TK1 + TK2; Electronic EMPv7
	575255	Coin Meter	0.1SGD + 0.2SGD + 0.5SGD + 1SGD; TK1 + TK2; Electronic EMPv7
	575256	Coin Meter	0.1MYR + 0.2MYR + 0.5MYR (old/new); 0.5SGD + 1SGD (old/new); TK1 + TK2; Electronic EMPv7
	575257	Coin Meter	1HRK + 2HRK + 5HRK; TK1 + TK2; Electronic EMPv7
	575258	Coin Meter	5CZK + 10CZK + 20CZK + 50CZK; Token Primus 7K; TK1 + TK2; Electronic EMPv7
	575259	Coin Meter	0.5MAD + 1MAD + 2MAD + 5MAD + 10MAD; TK1 + TK2; Electronic EMPv7
	575260	Coin Meter	1PLN + 2PLN + 5PLN; 0.1EUR + 0.2EUR + 0.5EUR + 1EUR + 2EUR; 10ISK + 50ISK + 100ISK; TK1 + TK2; Electronic EMPv7
	575261	Coin Meter	0.1EUR + 0.2EUR + 0.5EUR + 1EUR + 2EUR; jeton IPSO 5K; TK1 + TK2; Electronic EMPv7
	575262	Coin Meter	0.2GBP + 0.5GBP + 1GBP + 2GBP; 0.1EUR + 0.2EUR + 0.5EUR + 1EUR + 2EUR; TK1: jeton Gettone; TK2: jeton "KLW Aqua"; Electronic EMPv7
	575263	Coin Meter	0.1EUR + 0.2EUR + 0.5EUR + 1EUR + 2EUR; jeton G-FIS "LAVOIR BIANCA" (20x1.8); TK1 + TK2; Electronic EMPv7
	575264	Coin Meter	0.5MYR; jeton "DOBI PAPA" (22.5x2); TK1 + TK2; Electronic EMPv7
	575265	Coin Meter	1AUD + 2AUD; jeton "No Cash Value" (28.6x1.58); TK1 + TK2; Electronic EMPv7
	575266	Coin Meter	0.5MYR; jeton "BUBBLELAB"; TK1 + TK2; Electronic EMPv7
	575267	Coin Meter	1ILS + 2ILS + 5ILS + 10ILS; TK1 + TK2; Electronic EMPv7
	575268	Coin Meter	1ZAR + 2ZAR + 5ZAR; TK1 + TK2; Electronic EMPv7
	575269	Coin Meter	5RUB + 10RUB; TK1 + TK2; Electronic EMPv7
	575270	Coin Meter	50CLP + 100CLP + 500CLP; TK1 + TK2; Electronic EMPv7
	575271	Coin Meter	100JPY + 500JPY; 10TWD + 50TWD; TK1 + TK2; Electronic EMPv7
	575272	Coin Meter	0.5GEL + 1GEL + 2GEL; TK1 + TK2; Electronic EMPv7
	575273	Coin Meter	0.1EUR + 0.2 EUR + 0.5EUR + 1EUR + 2EUR; Jeton 7K; TK1 + TK2; Electronic EMPv7
	579815	Coin Meter	20HUF + 50HUF + 100HUF + 200HUF; TK1 + TK2; Electronic EMPv7
	575275	Coin Meter	1THB + 2THB + 5THB + 10THB; TK1 + TK2; Electronic EMPv7
	572386	Coin Meter	0.2CHF + 0.5CHF + 1CHF + 2CHF; TK1 + TK2; Electronic EMPv7

Coin Meter (Drawing 3 of 3)

AF, IY and NY Models with V in 7th position of the model number or AF, IY and NY Models with G, H, J or K in 13th position of the model number



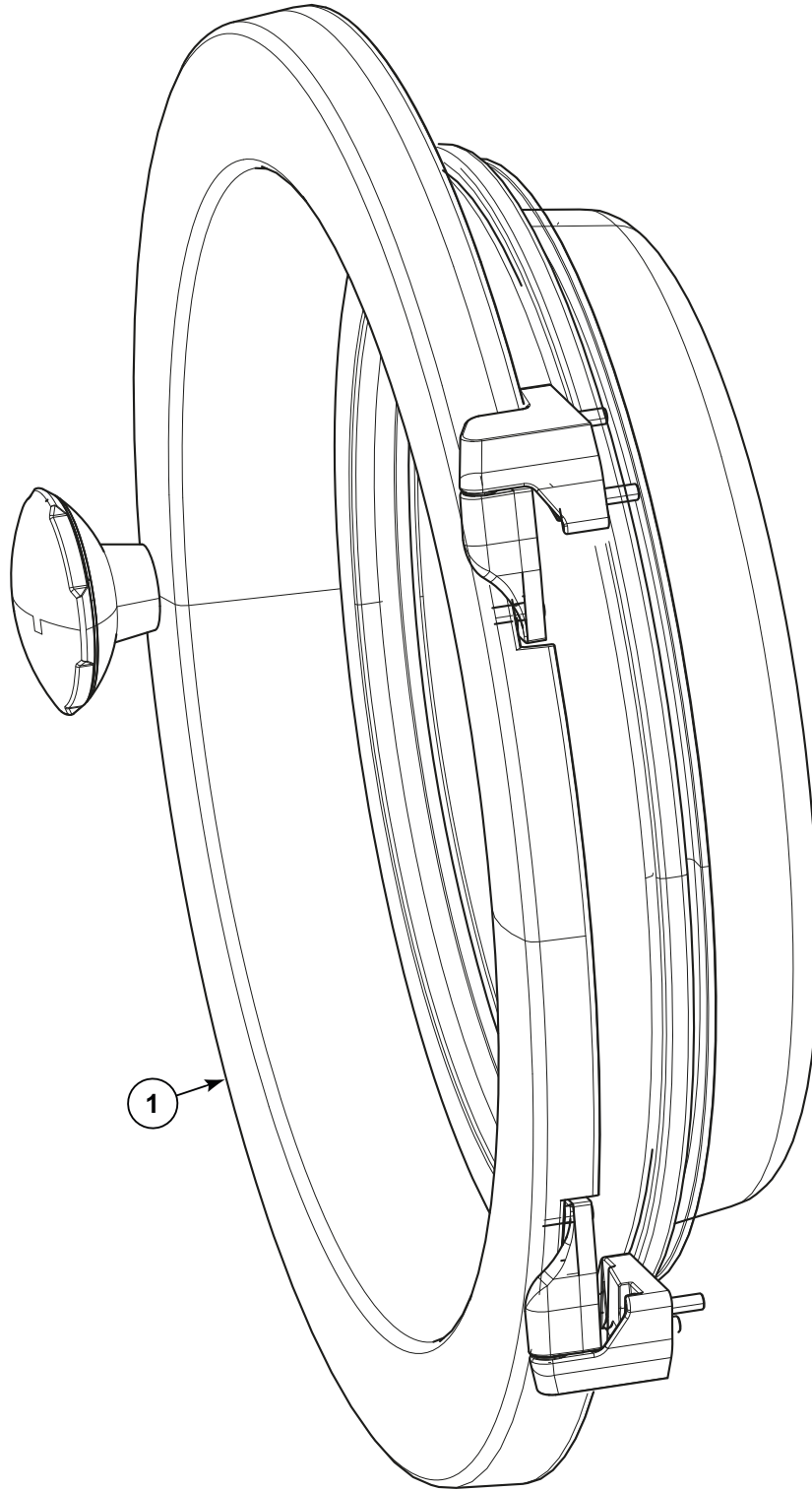
CZW233P_D1617

Coin Meter (Drawing 3 of 3)

REF	PART NO.	DESCRIPTION	COMMENTS
1	575201	Coin Meter	5K PRIMUS jeton
	575202	Coin Meter	10K PRIMUS jeton
	575203	Coin Meter	STD 118-1 jeton
	575204	Coin Meter	7K PRIMUS jeton
	575205	Coin Meter	12K PRIMUS jeton
	575206	Coin Meter	15K PRIMUS jeton
	575207	Coin Meter	1AUD + 0.2AUD
	575208	Coin Meter	1POND + 20PC
	575209	Coin Meter	1POND + 50PC
	575210	Coin Meter	100YEN
	575211	Coin Meter	100YEN + 500YEN
	575212	Coin Meter	1AUD + 2AUD
	575213	Coin Meter	1AUD
	575214	Coin Meter	20 penny
	575215	Coin Meter	50 New Malaysian cent
	575216	Coin Meter	1 Singapore dollar
	575217	Coin Meter	2x50 Malaysian cent
	579811	Coin Meter	1EAD; TK1, TK2 Jeton; Electronic EMPv7

Door (Drawing 1 of 4)

All Models; Models AF, FX, IY, J, NY, PY with V in 7th position of the model number Starting 1 March 2021



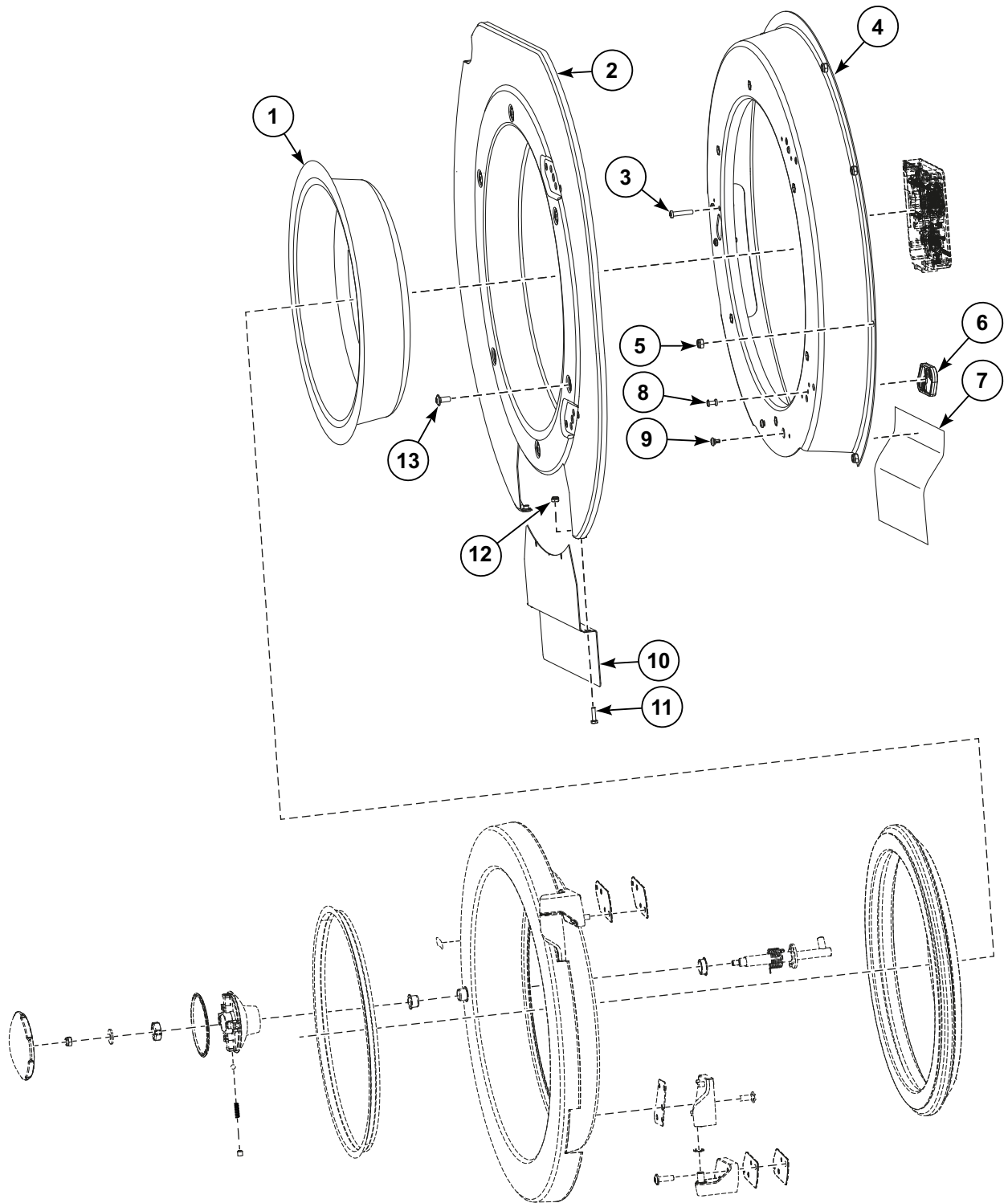
CZW586P_D1714

Door (Drawing 1 of 4)

REF	PART NO.	DESCRIPTION	COMMENTS
	582318	Plexiglass Assembly	Models with V or G in 7th position of the model number; Door-glass Insulation
	SP528270	Door Lock Wiring	Models with A, D, F, I, J, R, T or X in 7th position of the model number; MC6
	SP552453	Door Lock Wiring	Models with A, D, F, I, J, R, T or X in 7th position of the model number; MC7
	569723	Door Lock Wiring	Models with G or V in 7th position of the model number
	SP537896	Adhesive	Reversible
	SP245704000603	Adhesive	Loctite 603; Used with SP537854 Bolt
	SP245704003021	Adhesive	Loctite 243
	568990	Service Door Kit	Includes 562528 Door Seal, 568804 Shim, 560069 Shim, PRI722000004 Plastic Protection, PRI722000001 Plastic Protection and SP345000160971 Binding Strip
1	556270	Door Assembly	HY, SY and UY models with A, D, F or I in 7th position of the model number; Items 1-13 in <i>(Drawing 2 of 4)</i> , 1-17 in <i>(Drawing 3 of 4)</i> and 1-10 in <i>(Drawing 4 of 4)</i>
	535400	Door Assembly	FX, HX, MWF, PY, QW and SW models with T, V or X in 7th position of the model number; Items 1-13 in <i>(Drawing 2 of 4)</i> , 1-17 <i>(Drawing 3 of 4)</i> and 1-10 <i>(Drawing. 4 of 4)</i>
	553530	Door Assembly	FX and PY models with G in 7th position of the model number; Items 1-13 in <i>(Drawing 2 of 4)</i> , 1-17 <i>(Drawing 3 of 4)</i> and 1-10 <i>(Drawing. 4 of 4)</i>
	582299	Door Assembly	FX and PY models with N, U or 8 in 10th position of the model number; Items 1-13 in <i>(Drawing 2 of 4)</i> , 1-17 <i>(Drawing 3 of 4)</i> and 1-10 <i>(Drawing 4 of 4)</i>
	574097	Door Assembly	AF and NY models with G, H, J or K in 13th position of the model number; Items 1-13 in <i>(Drawing 2 of 4)</i> , 1-17 in <i>(Drawing 3 of 4)</i> and 1-10 in <i>(Drawing 4 of 4)</i>
	535432	Door Assembly	AF, LY and NY models with T or X in 7th position of the model number; Items 1-13 in <i>(Drawing 2 of 4)</i> , 1-17 in <i>(Drawing 3 of 4)</i> and 1-10 in <i>(Drawing 4 of 4)</i>
	563370	Door Assembly	IY models with G, H, J or K in 13th position of the model number; Items 1-13 in <i>(Drawing 2 of 4)</i> , 1-17 in <i>(Drawing 3 of 4)</i> and 1-10 in <i>(Drawing 4 of 4)</i>
	556252	Door Assembly	IY models with J or R in 7th position of the model number except models with G, H, J or K in 13th position of the model number; Items 1-13 in <i>(Drawing 2 of 4)</i> , 1-17 in <i>(Drawing 3 of 4)</i> and 1-10 in <i>(Drawing 4 of 4)</i>
	576074	Door Assembly	AF, IY, NY, SY and UY models with G in 7th position of the model number; Items 1-13 in <i>(Drawing 2 of 4)</i> , 1-17 in <i>(Drawing 3 of 4)</i> and 1-10 in <i>(Drawing 4 of 4)</i>

Door (Drawing 2 of 4)

All Models; Models AF, FX, IY, J, NY, PY with V in 7th position of the model number Starting 1 March 2021



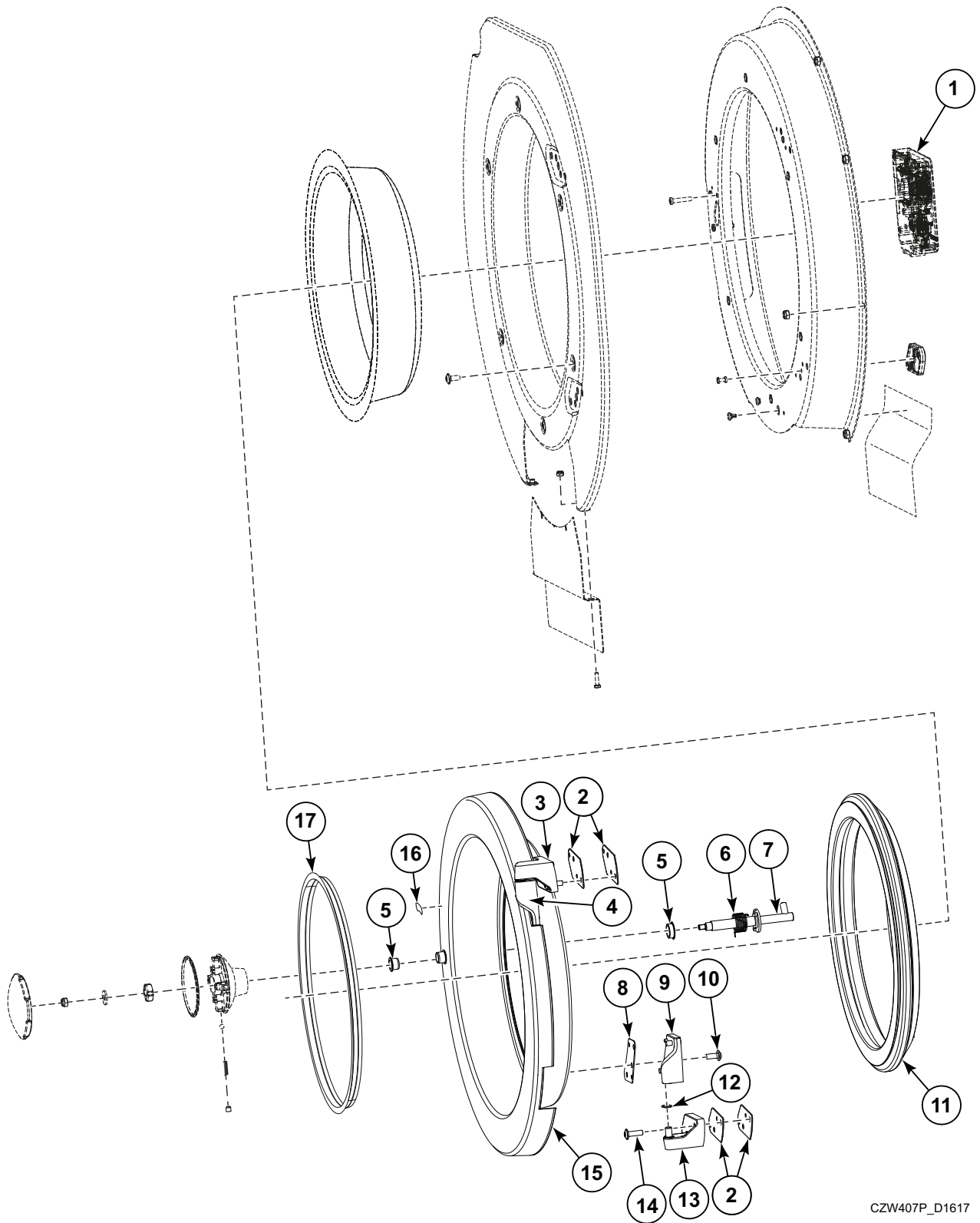
CZW370P_D1617

Door (Drawing 2 of 4)

REF	PART NO.	DESCRIPTION	COMMENTS
1	SP556226	Door Glass	IY models with J, R or V in 7th position of the model number; With logo
	SP535413	Door Glass	AF, AF Non-Brand, FX, HX, HY, LP, LY, NY, PY, SW, SY and UY models; IY models with G in 7th position of the model number
2	571721	Front Panel	Black
	571724	Front Panel	Stainless
	568975	Front Panel	Models with V in 7th position of the model number through 28 February 2021; Black
	568998	Front Panel	Models with V in 7th position of the model number through 28 February 2021; Stainless
3	SP556137	Bolt	M5x25
4	SP537852	Door and Lock Holder	used with SPPRI505000058 Profiled Sealing, length 0.19m
	568887	Door and Lock Holder	Models with V in 7th position of the model number through 28 February 2021; used with SPPRI505000058 Profiled Sealing, length 0.25m
5	SP310985000006	Nut	M6
6	SP537849	Hinge Spacer	
7	SP552972	Heating Element Cover	Models with A, D, F, I, J, R, T or X in 7th position of the model number except IY and NY models with G, H, J or K in 13th position of the model number
	568929	Heating Element Cover	Models with G or V in 7th position of the model number or IY and NY models with G, H, J or K in 13th position of the model number
8	SP547779	Rivet	4x16.7
9	SP537856	Connector	
10	SP563273	Heating Element Front Cover	Black
	568985	Heating Element Front Cover	Stainless
11	SP309084000416	Bolt	M4x16
12	SP313251002104	Nut	M4
13	SP537854	Bolt	M6x14

Door (Drawing 3 of 4)

All Models; Models AF, FX, IY, J, NY, PY with V in 7th position of the model number Starting 1 March 2021



CZW407P_D1617

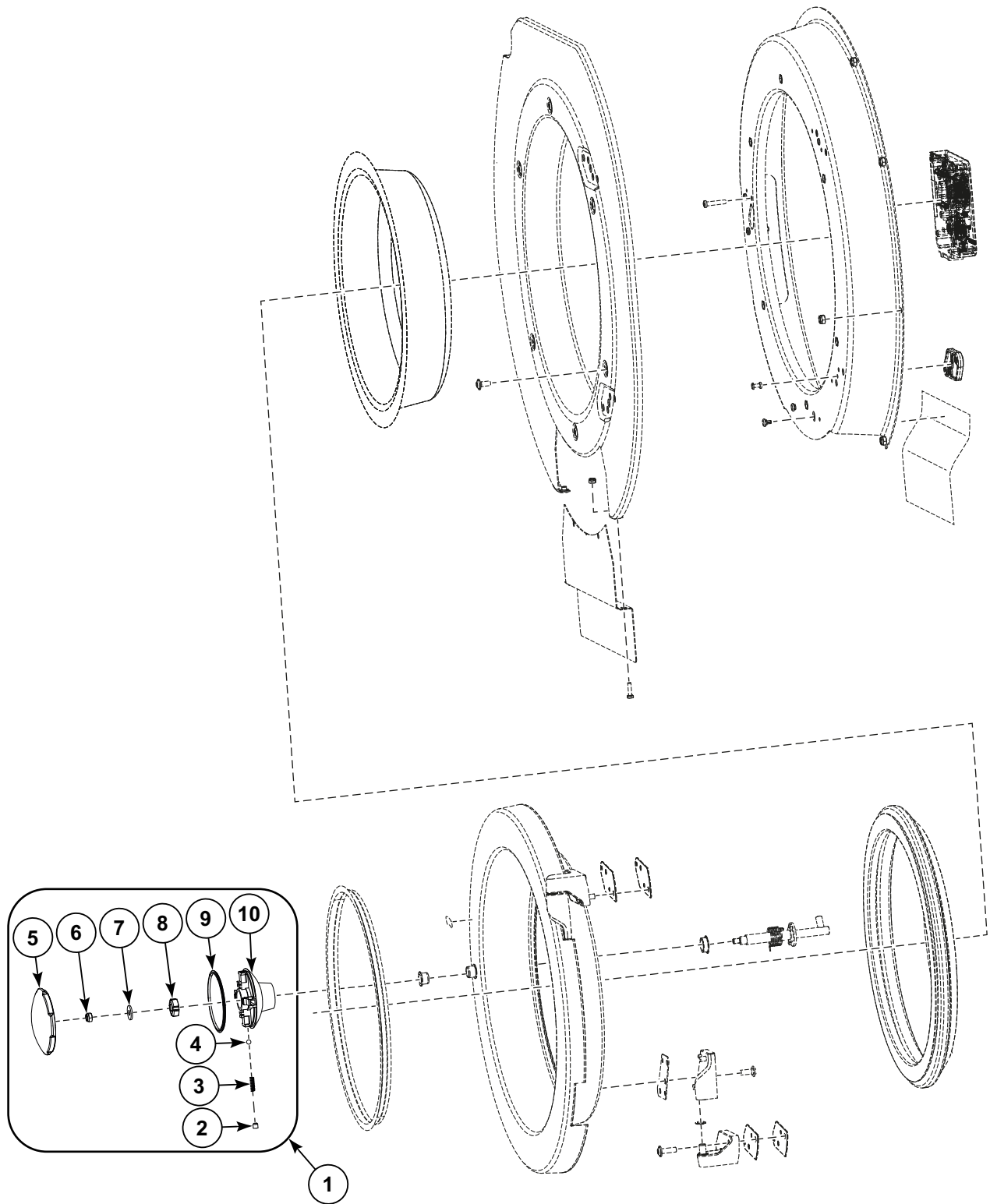
Door (Drawing 3 of 4)

REF	PART NO.	DESCRIPTION	COMMENTS
	570554	Kit of Hinges	HY, SY and UY models with A, D, F or I in 7th position of the model number; includes 568981, 568984, 575962, 575965 and 571642
	570553	Kit of Hinges	AF, AF Non-Brand, FX, HX, IY, JY, LP, LY, NY, PY and SW models; HY, SY and UY models with G in 7th position of the model number; includes 568979, 568982, 575960, 575963 and 571642
1	SP537760	Lock	
2	N/A	Washer	
3	568981	Fixed Hinge	HY, SY and UY models with A, D, F or I in 7th position of the model number; Upper
	568979	Fixed Hinge	AF, AF Non-Brand, FX, HX, IY, JY, LP, LY, NY, PY and SW models; SY and UY models with G in 7th position of the model number
4	575962	Upper Hinge	HY, SY and UY models with A, D, F or I in 7th position of the model number; with case
	575960	Upper Hinge	AF, AF Non-Brand, FX, HX, IY, JY, LP, LY, NY, PY and SW models; SY and UY models with G in 7th position of the model number; with case
5	SP529739	Casing	
6	SP535402	Handle Torsion Spring	
7	SP537933	Lock Pin	
8	SP535421	Hinge Spacer	
9	575965	Lower Hinge	HY, SY and UY models with A, D, F or I in 7th position of the model number; with case
	575963	Lower Hinge	AF, AF Non-Brand, FX, HX, IY, JY, LP, LY, NY, PY and SW models; SY and UY models with G in 7th position of the model number; with case
10	SP537864	Bolt	M6x16
11	568990	Service Door Kit	
12	571642	Washer	
13	568984	Fixed Hinge	HY, SY and UY models with A, D, F or I in 7th position of the model number; lower
	568982	Fixed Hinge	AF, AF Non-Brand, FX, HX, IY, JY, LP, LY, NY, PY and SW models; SY and UY models with G in 7th position of the model number; lower
14	SP535479	Bolt	M6x25
15	SP535423	Door	HY, SY and UY models with A, D, F or I in 7th position of the model number; FX, HX, PY, QW, SW and W models through Serial No. 65FX011224MB
	SP553525	Door	FX, HX, PY, QW, SW and W models starting Serial No. 65FX011225MB; Gray
	SP535425	Door	AF, AF Non-Brand, H, IY, JY, LP, LY, NY and WMA models with J, R, X or T in 7th position of the model number except models with G, H, J or K in 13th position of the model number; Black
	568836	Door	AF, IY, JY and NY models with G, H, J, or K in 13th position; AF, IY, NY, SY and UY models with G in 7th position of the model number; Black
16	N/A	Label	
17	SP562545	Rim	IY models with G, H, J, or K in 13th position of the model number
	573187	Rim	JY models with V in 7th position of the model number
	582296	Rim	FX and PY models with N, U or 8 in 10th position of the model number

N/A = Part no longer available

Door (Drawing 4 of 4)

All Models; Models AF, FX, IY, J, NY, PY with V in 7th position of the model number Starting 1 March 2021



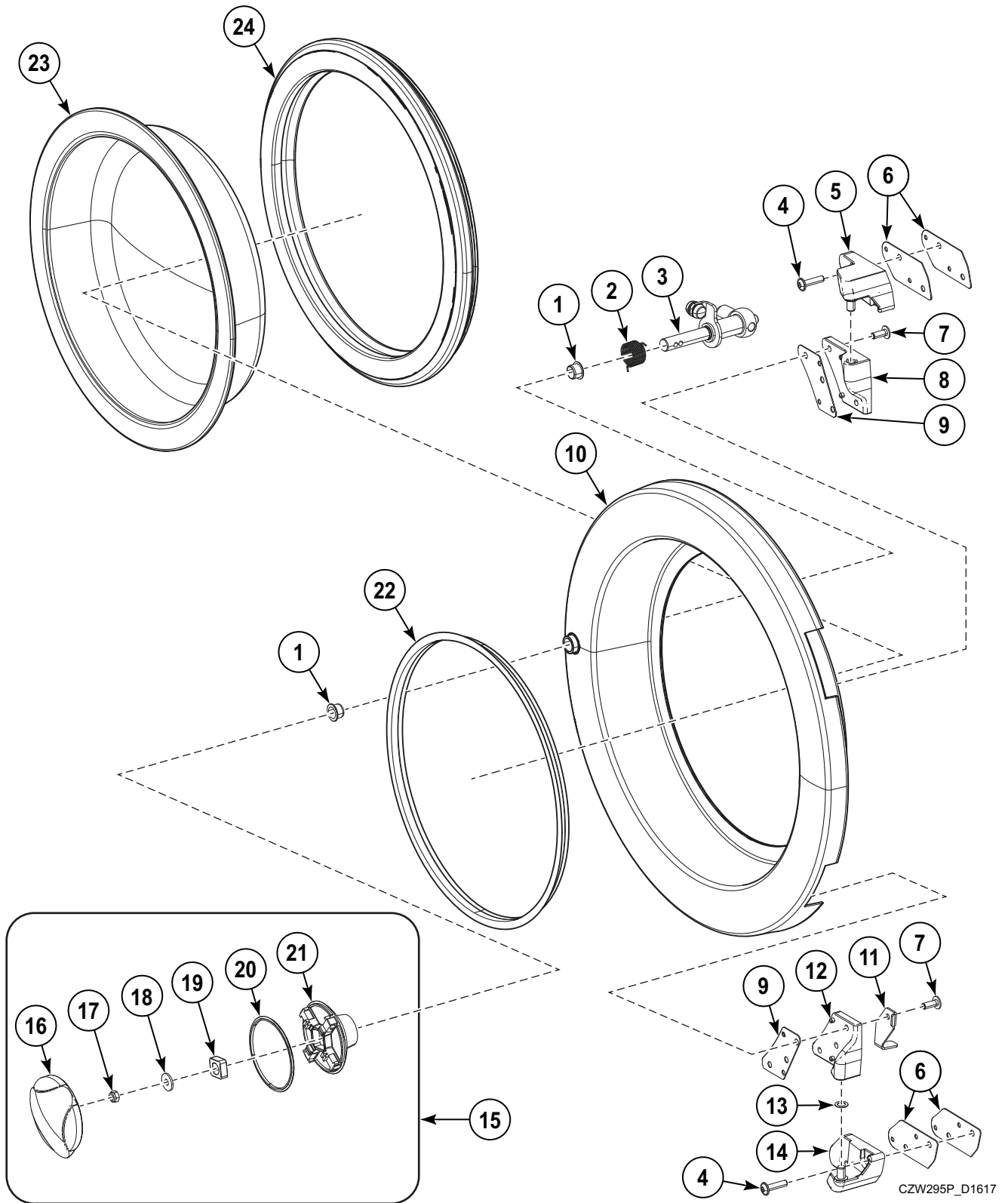
CZW372P_D1617

Door (Drawing 4 of 4)

REF	PART NO.	DESCRIPTION	COMMENTS
1	SP556297	Handle	HY, SY and UY models with A, D, F or I in 7th position of the model number
	SP552909	Handle	AF, AF Non-Brand, H, IY, LP, LY and NY models with J, R, T or X in 7th position of the model number except models with G, H, J or K in 13th position of the model number
	571788	Handle	AF, IY and NY models with J, R, T, V or X in 7th position of the model number and with G, H, J or K in 13th position of the model number
	SP552908	Handle	FX, HX, PY, QW and SW models with V, T or X in 7th position of the model number
	582330	Handle	FX and PY models with N, U or 8 in 10th position of the model number
	552916	Handle	FX and PY models with G in 7th position of the model number
	576081	Handle	AF, IY, NY, SY and UY models with G in 7th position of the model number
	562898	Handle	JY models
2	SP553524	Bolt	M6x6
3	SP535406	Compression Spring	
4	SP535407	Handle Ball	
5	SP556278	Handle Cover	HY, SY and UY models with A, D, F or I in 7th position of the model number
	SP535438	Holder Cover	AF, AF Non-Brand, H, IY, J, LP, LY and NY models with J, R, T, V or X in 7th position of the model number
	SP535436	Holder Cover	AF, IY, NY, SY and UY models with G in 7th position of the model number
	SP535430	Holder Cover	FX, HX, MWF, PY, QW and SW models with V, T or X in 7th position of the model number
	SP535412	Holder Cover	FX and PY models with G in 7th position of the model number
6	SP310985000006	Nut	M6
7	SP311902100006	Washer	M6
8	SP529710	Locating Segment	
9	582329	Distinguishing Ring	FX, HX, HY, JY, MWF, PY, QW, SW, SY and UY models; HY, SY and UY models with A, D, F or I in 7th position of the model number; Blue
	SP535437	Distinguishing Ring	AF, AF Non-Brand, H, IY, LP, LY and NY models with J, R, T or X in 7th position of the model number except models with G, H, J or K in 13th position of the model number; Red
	571733	Distinguishing Ring	AF, IY and NY models with J, R, T, V or X in 7th position of the model number and with G, H, J or K in 13th position of the model number; AF, IY, NY, SY and UY models with G in 7th position of the model number; Red
10	SP535429	Handle Lower Part	

Door

AF, IY, JY and NY models with V in 7th Position Through 28 February 2021



CZW295P_D1617

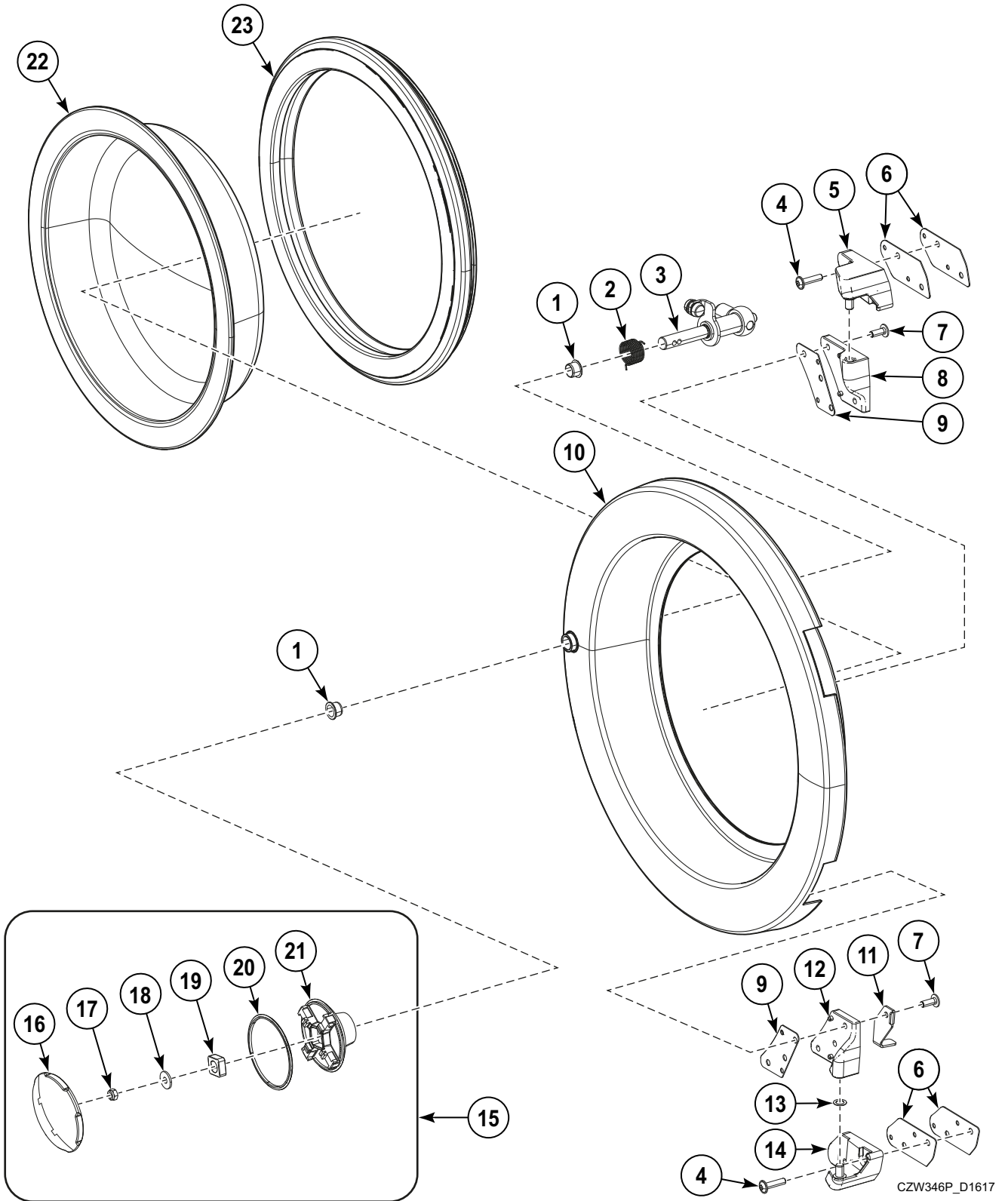
Door

REF	PART NO.	DESCRIPTION	COMMENTS
	571766	Door Assembly	Black; Includes items 1-24
	570553	Kit of Hinges	Includes 571642, 575960, 575693, 568979 and 568982
1	SP529739	Casing	
2	SP535402	Handle Torsion Spring	
3	571762	Door Level	
4	SP535479	Bolt	M6x25
5	568979	Fixed Upper Hinge	
6	N/A	Shim	
7	SP537864	Bolt	M6x25
8	571650	Upper Hinge	
9	SP535421	Hinge Spacer	
10	568836	Door	Black
11	571632	Door Frame Sheet	
12	571651	Lower Hinge	
13	571642	Washer	
14	568982	Fixed Hinge	Lower
15	571781	Handle	
16	SP535438	Holder Cover	
17	SP310985000006	Nut	M6
18	SP311902100006	Washer	M6
19	571773	Locating Segment	
20	571733	Distinguishing Ring	Red
21	571779	Handle Lower Part	
22	SP562545	Rim	
	573187	Rim	JY models
23	SP556226	Door Glass	With logo
	573190	Door Glass	JY models
	535413	Door Glass	AF and NY models
24	568990	Service Door Kit	

N/A = Part no longer available

Door

FX and PY models with V in 7th Position Through 28 February 2021



CZW346P_D1617

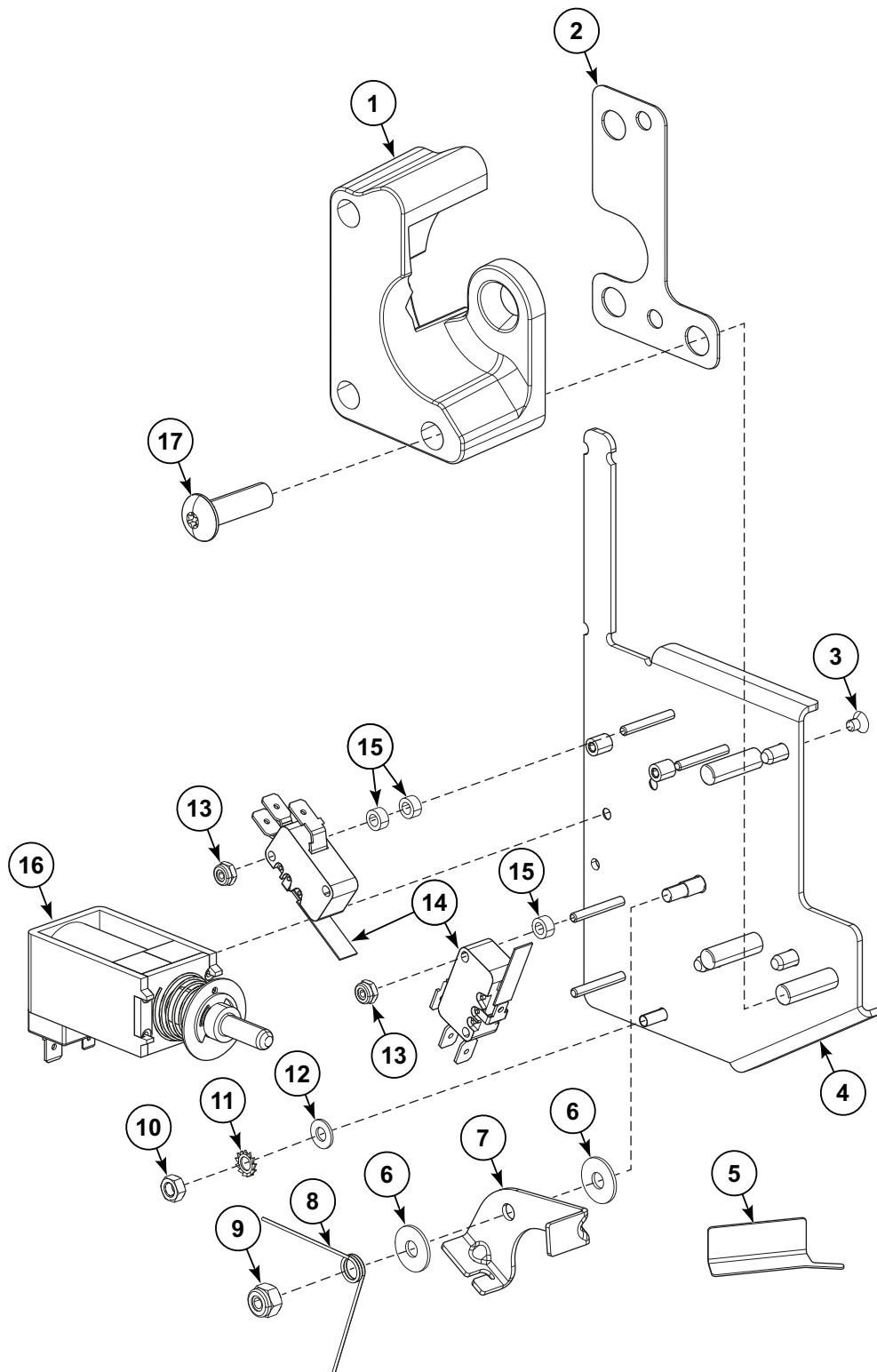
Door

REF	PART NO.	DESCRIPTION	COMMENTS
	571763	Door Assembly	Gray; Includes items 1-23
1	SP529739	Casing	
2	SP535402	Handle Torsion Spring	
3	571762	Door Level	
4	SP535479	Bolt	M6x25
5	568979	Fixed Upper Hinge	
6	N/A	Shim	
7	SP537864	Bolt	M6x16
8	571650	Upper Hinge	
9	SP535421	Hinge Spacer	
10	SP553525	Door	Gray
11	571632	Door Frame Sheet	
12	571651	Lower Hinge	
13	571642	Washer	
14	568982	Fixed Hinge	Lower
15	571780	Handle	
16	SP535430	Holder Cover	
17	SP310985000006	Nut	M6
18	SP311902100006	Washer	M6
19	571773	Locating Segment	
20	582329	Distinguishing Ring	Blue
21	571779	Handle Lower Part	
22	SP535413	Door Glass	
23	568990	Service Door Kit	

N/A = Part no longer available

Door Lock

Models with V in 7th position of the model number Through Serial No. 65FX015194SH



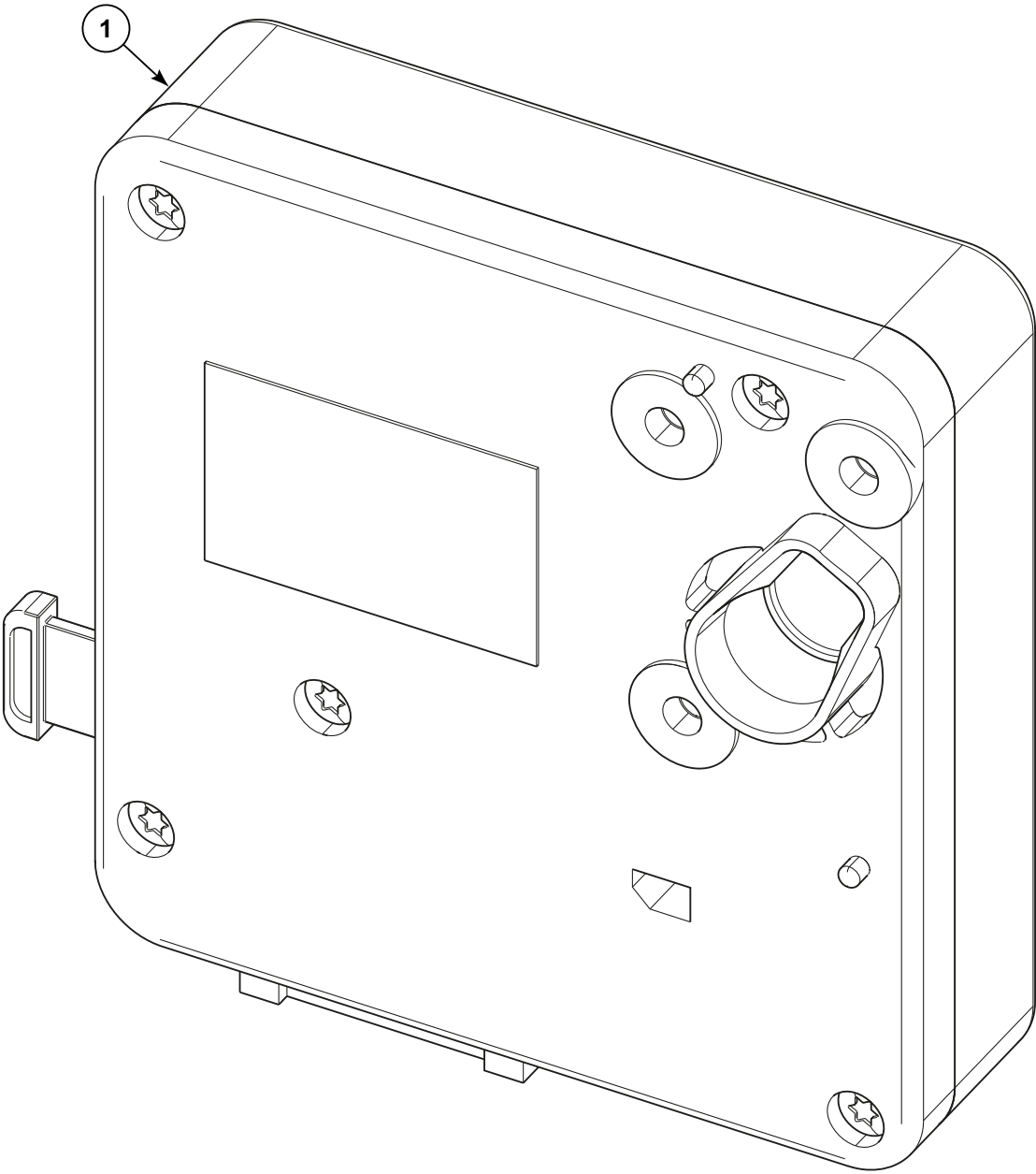
CZW588P_D1714

Door Lock

REF	PART NO.	DESCRIPTION	COMMENTS
	576085	Door Lock Assembly	Includes item 1-16, 569751 Door Lock Cable, SP345000160996 Binding Strip, 571466 Door Lock Switch Cable
1	576084	Door Lock Catch	
2	582327	Washer	
3	F430977	Screw	
4	568971	Door Lock Plate	
5	571615	Emergency Opener	For door lock
6	F8193101	Washer	
7	568941	Closing Plate	
8	571612	Torsion/Door Lock Spring	
9	F430232	Nut	
10	SP310934240004	Nut	M4
11	SP311679824004	Washer	4
12	SP311125240004	Washer	4
13	F430225	Nut	
14	568978	Microswitch	
15	F431901	Spacer	
16	568942	Coil	
17	F8270701	Bolt	Stainless
	568968	Bolt	Black

Door Lock

Models with V in 7th position of the model number with Serial No. Starting 65FX015195SH



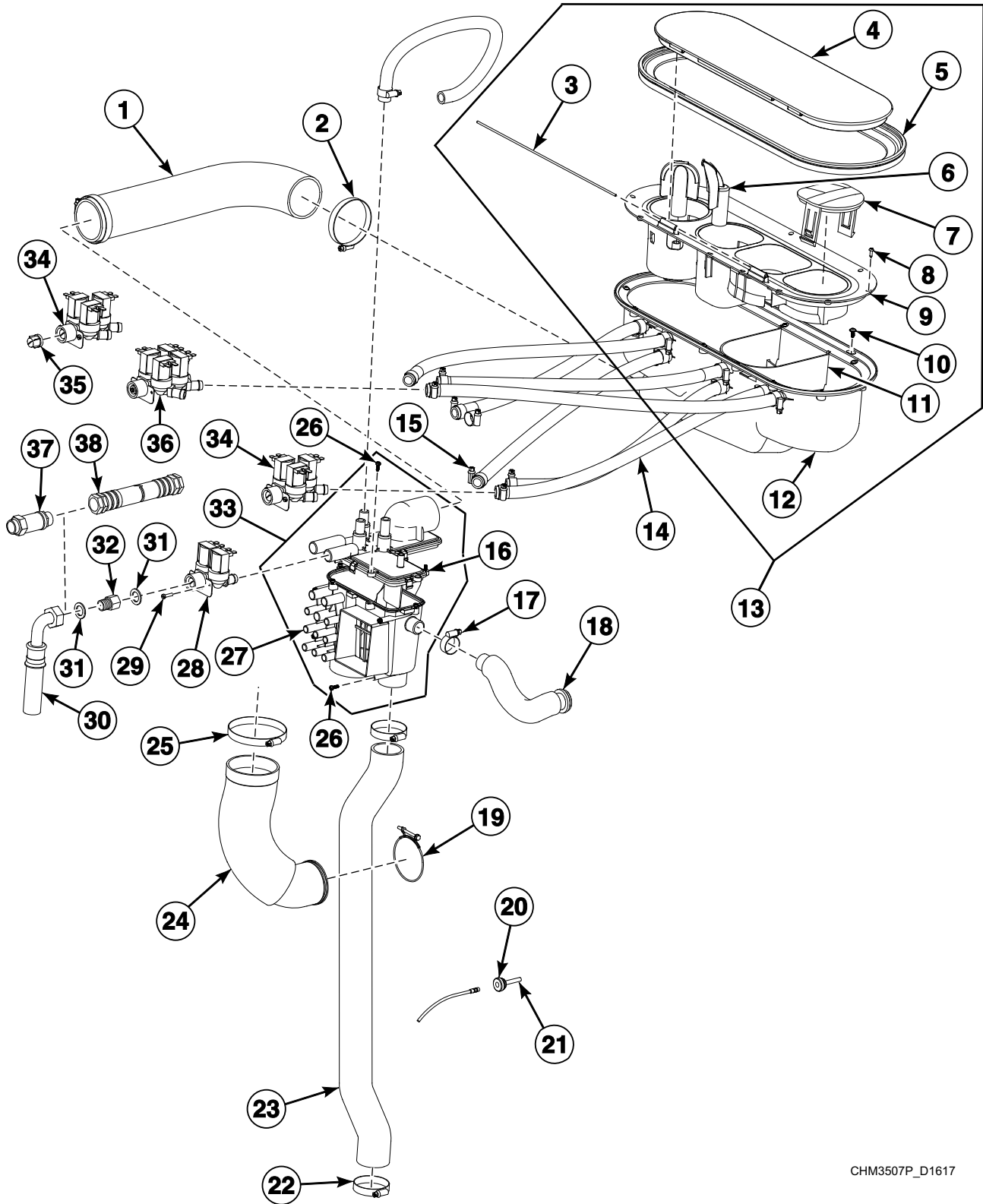
CZW360P_D1617

Door Lock

REF	PART NO.	DESCRIPTION	COMMENTS
	SP537760	Lock	

Water Inlet System

Models with A, D, F, I, J, R, T or X in 7th position of the model number



CHM3507P_D1617

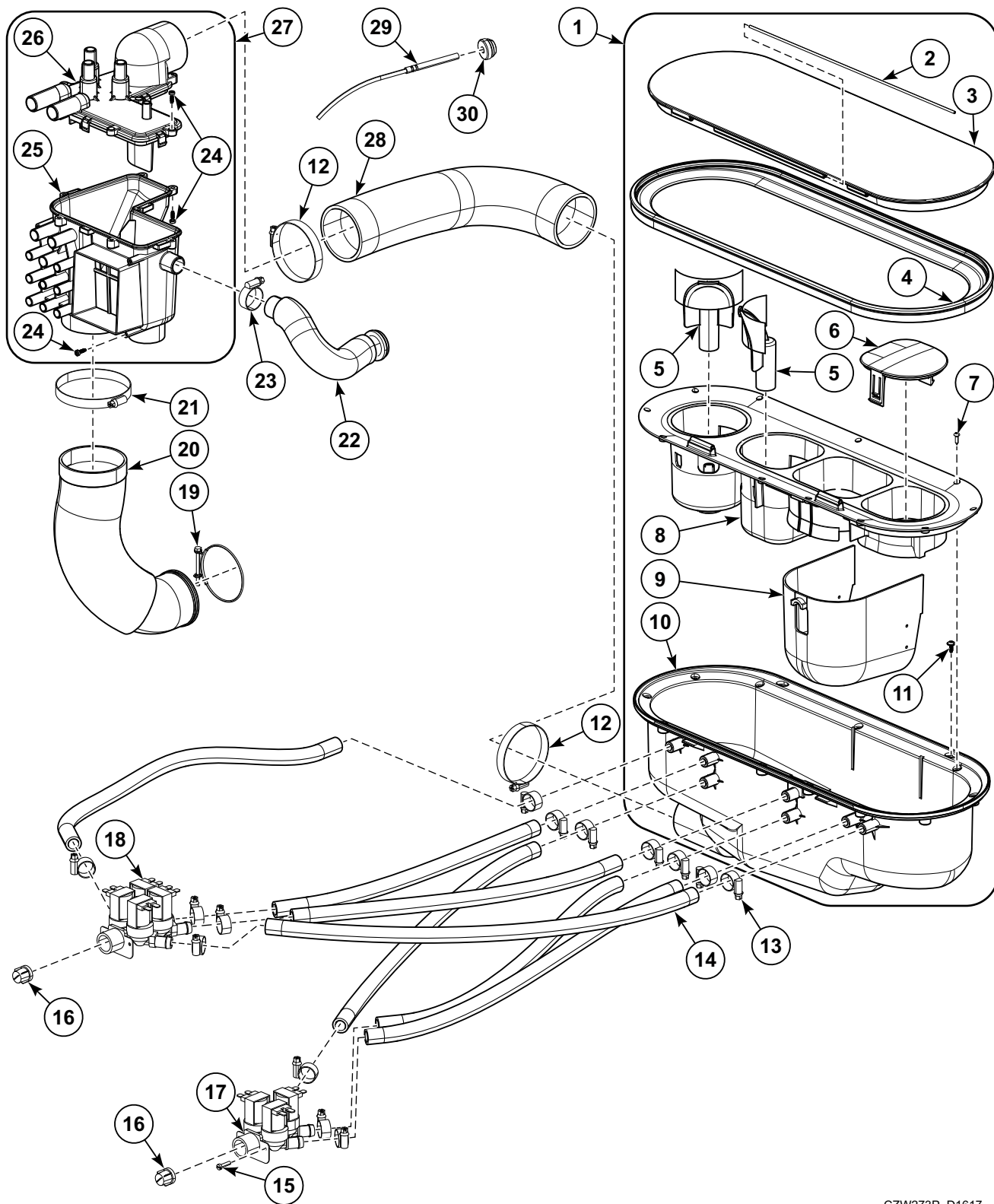
Water Inlet System

REF	PART NO.	DESCRIPTION	COMMENTS
1	SP526589	Dispenser Pipe	
2	SPPRI240000021	Hose Clamp	60-80
3	SP540117	Pin	
4	SP551695	Dispenser Lid	HY, SY and UY models
	SP526461	Dispenser Lid	AF, FX, HX, IY, JY, LP, LY, NY, PY and SW models
5	SP540158	Dispenser Seal	
6	SP540113	Flap	
7	SP526468	Soap Hopper Plug	
8	SP309798124313	Screw	ST3.5x13
9	SP540112	Soap Hopper Upper Cover	
10	SP529206	Screw	4x11
11	SP540122	Internal Vessel	
12	SP540115	Main Vessel	Requires SPPRI704000053 Silicon Sealant
13	SP554213	Soap Hopper	HY, SY and UY models
	SP540111	Soap Hopper	AF, FX, HX, IY, JY, LP, LY, NY, PY and SW models
14	SPPRI540000014	Hose	13/19
	SP101745	Hose Pipe	Valid for water approval
15	SPPRI240000002	Hose Clamp	12-22
16	SP526557	Mixer Lid	
	582509	Mixer Lid	water approval
17	SPPRI240000003	Hose Clamp	20-32
18	SP526509	Vent Hose	
19	SP526491	Hose Clamp	62-70
20	SP526439	Temperature Sensor Seal	
21	503839	Temperature Sensor	
22	SPPRI240000017	Hose Clamp	40-60
23	SP526481	Overflow Tube	
24	SP526456	Filling Elbow Pipe	
25	SPPRI240000007	Hose Clamp	70-90
26	SP526497	Screw	4x12
27	SP526565	Mixer Body	
	582506	Mixer Body	water approval
28	SP547958	2-Way Valve	3/4 inch
29	SP309084000416	Bolt	4x16
30	SPPRI505000054	Filling Hose Pipe	Used with cold water
	SP547980	Filling Hose Pipe	Used with hot water
	SP101621	Filling Hose Pipe	Valid for water approval
	RSPF200166	Filling Hose Pipe	IY, LY, NY, PY, SY and UY models
31	SPPRI520001009	Seal	
32	N/A	Reduction	
33	SP526558	Mixer	
	582508	Mixer	water approval
34	SP547959	3-Way Valve	3/4 inch
35	SPPRI340004030	Filter	
36	SP548933	4-Way Valve	3/4 inch
37	RSPF200166	Filling Hose Pipe	IYY, LYY, NYY, PYY, SY and UYY models
38	RSPB12543901	Double Reverse Valve	IYY, LYY, NYY, PYY, SY and UYY models

N/A = Part no longer available

Two Water Inlet System

Models with G or V in 7th Position



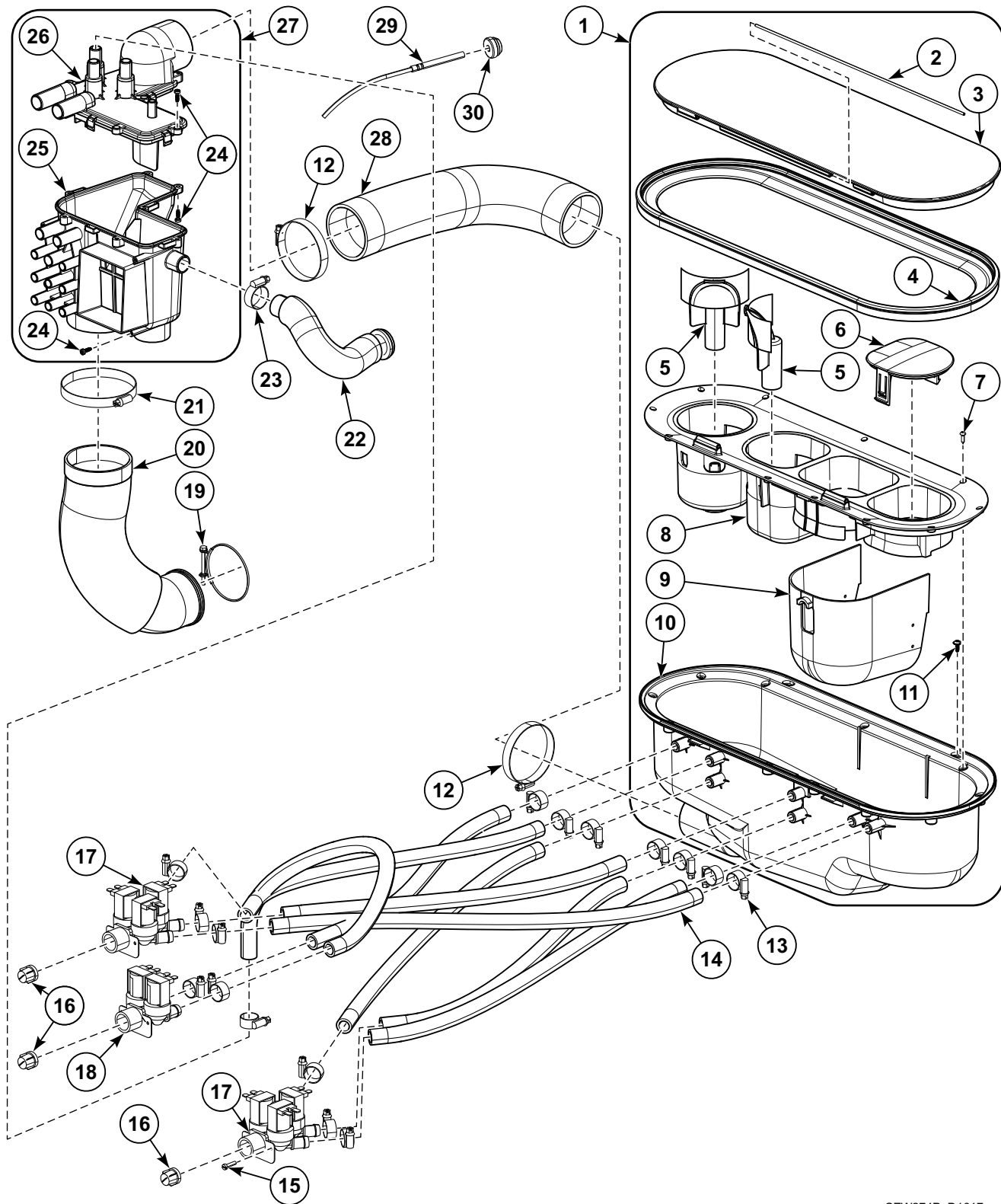
CZW273P_D1617

Two Water Inlet System

REF	PART NO.	DESCRIPTION	COMMENTS
	SPPRI505000054	Filling Hose Pipe	Used with cold water and with SPPRI520001009 Seal
	SP547980	Filling Hose Pipe	Used with hot water and with SPPRI520001009 Seal
	SP101621	Filling Hose Pipe	Valid for water approval; Used with SPPRI520001009 Seal
1	SP540111	Soap Hopper	
2	SP540117	Pin	
3	SP526461	Dispenser Lid	
4	SP540158	Dispenser Seal	
5	SP540113	Flap	
6	SP526468	Soap Hopper Plug	
7	SP309798124313	Screw	ST3.5x13
8	SP540112	Soap Hopper Upper Cover	
9	SP540122	Internal Vessel	
10	SP540115	Main Vessel	
11	SP529206	Screw	
12	SPPRI240000021	Hose Clamp	60-80
13	SPPRI240000002	Hose Clamp	12-22
14	SPPRI540000014	Hose	13-19
	SP101745	Hose Pipe	water approval
15	SP309084000416	Bolt	M4x16
16	SPPRI340004030	Filter	
17	SP547959	3-Way Valve	3/4 inch
18	SP548933	4-Way Valve	3/4 inch
19	SP526491	Hose Clamp	62-70
20	SP526456	Filling Elbow Pipe	
21	SPPRI240000007	Hose Clamp	70-90
22	SP526509	Vent Hose	
23	SPPRI240000003	Hose Clamp	
24	SP526497	Screw	4x12
25	SP526565	Mixer Body	
	582506	Mixer Body	water approval
26	SP526557	Mixer Lid	
	582509	Mixer Lid	water approval
27	SP526558	Mixer	
	582508	Mixer	water approval
28	SP526488	Dispenser Pipe	
29	503839	Temperature Sensor	
30	SP526439	Temperature Sensor Seal	

Three Water Inlet System

Models with G or V in 7th Position



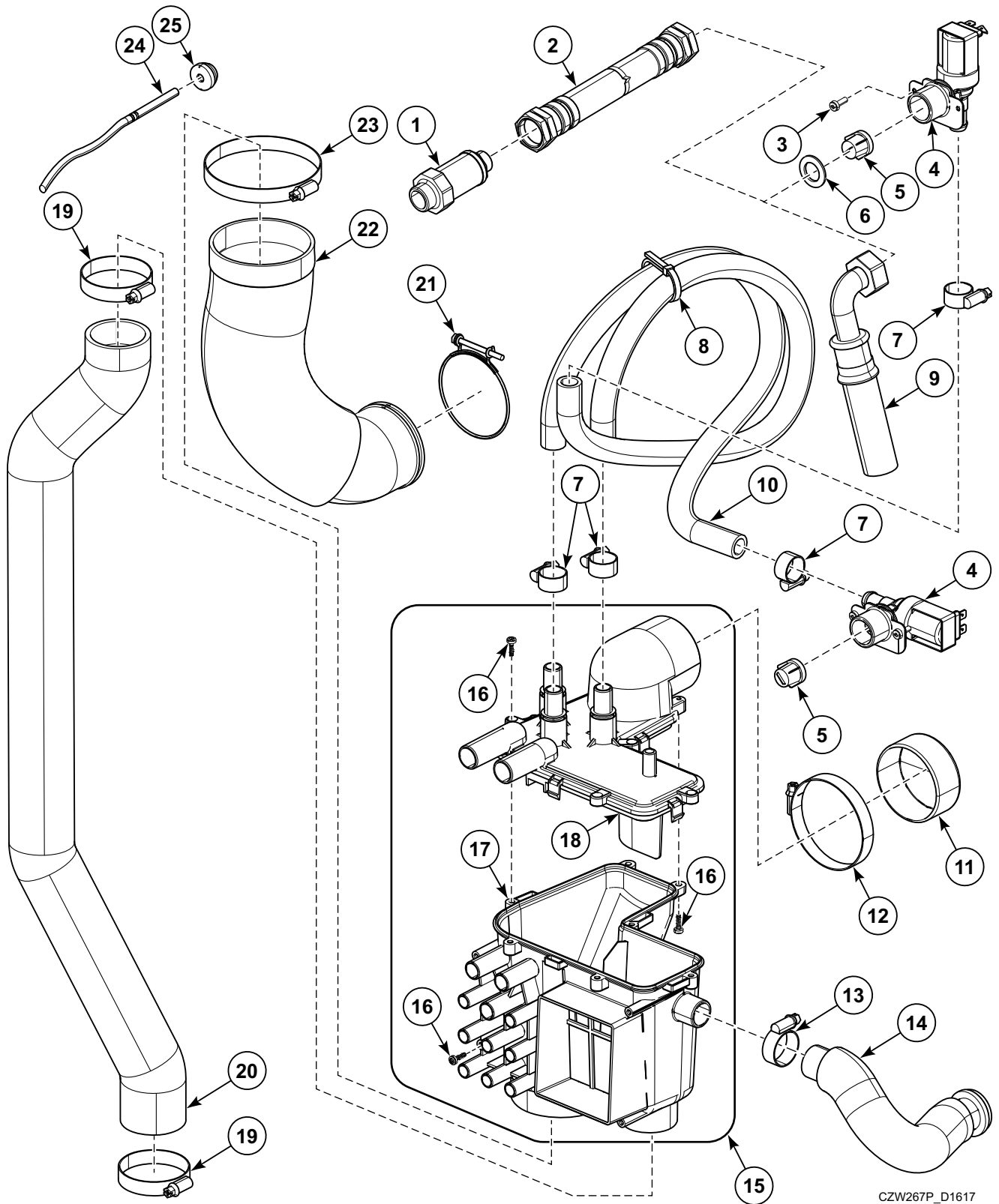
CZW274P_D1617

Three Water Inlet System

REF	PART NO.	DESCRIPTION	COMMENTS
	SPPRI505000054	Filling Hose Pipe	Used with cold water and with SPPRI520001009 Seal
	SP547980	Filling Hose Pipe	Used with hot water and with SPPRI520001009 Seal
	SP101621	Filling Hose Pipe	Valid for water approval; Used with SPPRI520001009 Seal
1	SP540111	Soap Hopper	
2	SP540117	Pin	
3	SP526461	Dispenser Lid	
4	SP540158	Dispenser Seal	
5	SP540113	Flap	
6	SP526468	Soap Hopper Plug	
7	SP309798124313	Screw	ST3.5x13
8	SP540112	Soap Hopper Upper Cover	
9	SP540122	Internal Vessel	
10	SP540115	Main Vessel	
11	SP529206	Screw	
12	SPPRI240000021	Hose Clamp	60-80
13	SPPRI240000002	Hose Clamp	12-22
14	SPPRI540000014	Hose	13-19
	SP101745	Hose Pipe	water approval
15	SP309084000416	Bolt	M4x16
16	SPPRI340004030	Filter	
17	SP547959	3-Way Valve	3/4 inch
18	SP547958	2-Way Valve	3/4 inch
19	SP526491	Hose Clamp	62-70
20	SP526456	Filling Elbow Pipe	
21	SPPRI240000007	Hose Clamp	70-90
22	SP526509	Vent Hose	
23	SPPRI240000003	Hose Clamp	
24	SP526497	Screw	4x12
25	SP526565	Mixer Body	
	582506	Mixer Body	water approval
26	SP526557	Mixer Lid	
	582509	Mixer Lid	water approval
27	SP526558	Mixer	
	582508	Mixer	water approval
28	SP526488	Dispenser Pipe	
29	503839	Temperature Sensor	
30	SP526439	Temperature Sensor Seal	

Two Water Inlet System without Soap Hopper

Models with A, D, F, I, J, R, T or X in 7th position of the model number except models with G, H, J or K in 13th position of the model number



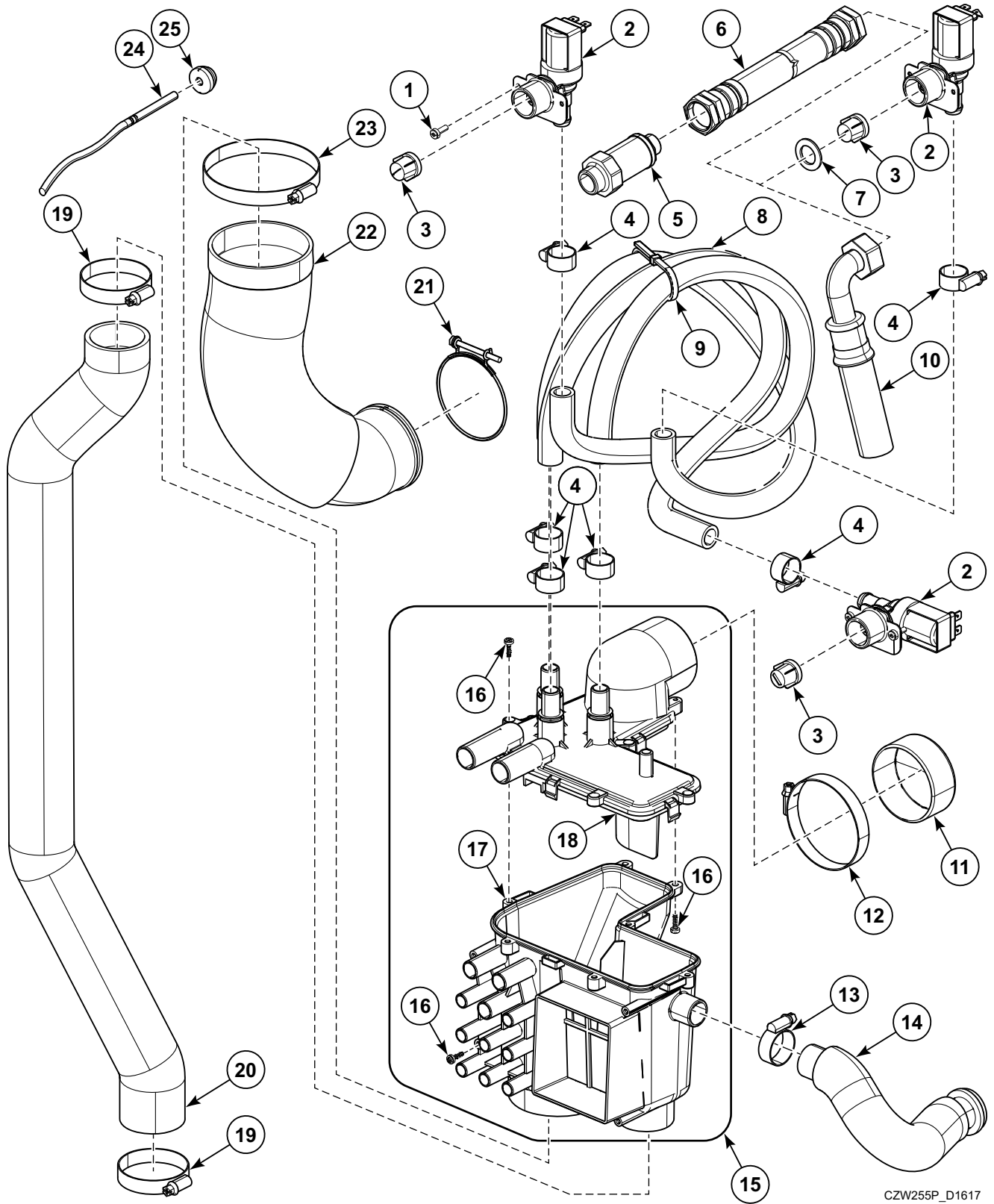
CZW267P_D1617

Two Water Inlet System without Soap Hopper

REF	PART NO.	DESCRIPTION	COMMENTS
1	RSPB12543901	Double Reverse Valve	IYY, LYY, NYY, PYY, SYY and UYY models
2	RSPF200166	Filling Hose Pipe	IYY, LYY, NYY, PYY, SYY and UYY models
3	SP555504	Bolt	M4x12
4	570195	1-Way Valve	3/4 inch
5	SPPRI340004030	Filter	
6	SPPRI520001009	Seal	
7	SPPRI240000002	Hose Clamp	
8	SP503817	Binding Strip	
9	SPPRI505000054	Filling Hose Pipe	Used with cold water
	SP547980	Filling Hose Pipe	Used with hot water
	SP101621	Filling Hose Pipe	water approval
10	SPPRI540000014	Hose	
11	567053	Plug	
12	SPPRI240000021	Hose Clamp	60-80
13	SPPRI240000003	Hose Clamp	20-32
14	SP526509	Vent Hose	
15	SP526558	Mixer	
16	SP526497	Screw	4x12
17	SP526565	Mixer Body	
18	SP526557	Mixer Lid	
19	SPPRI240000017	Hose Clamp	40-60
20	SP526481	Overflow Tube	
21	SP526491	Hose Clamp	62-70
22	SP526456	Filling Elbow Pipe	
23	SPPRI240000007	Hose Clamp	70-90
24	SP503839	Temperature Sensor	
25	SP526439	Temperature Sensor Seal	

Three Water Inlet System without Soap Hopper

Models with A, D, F, I, J, R, T or X in 7th position of the model number except models with G, H, J or K in 13th position of the model number



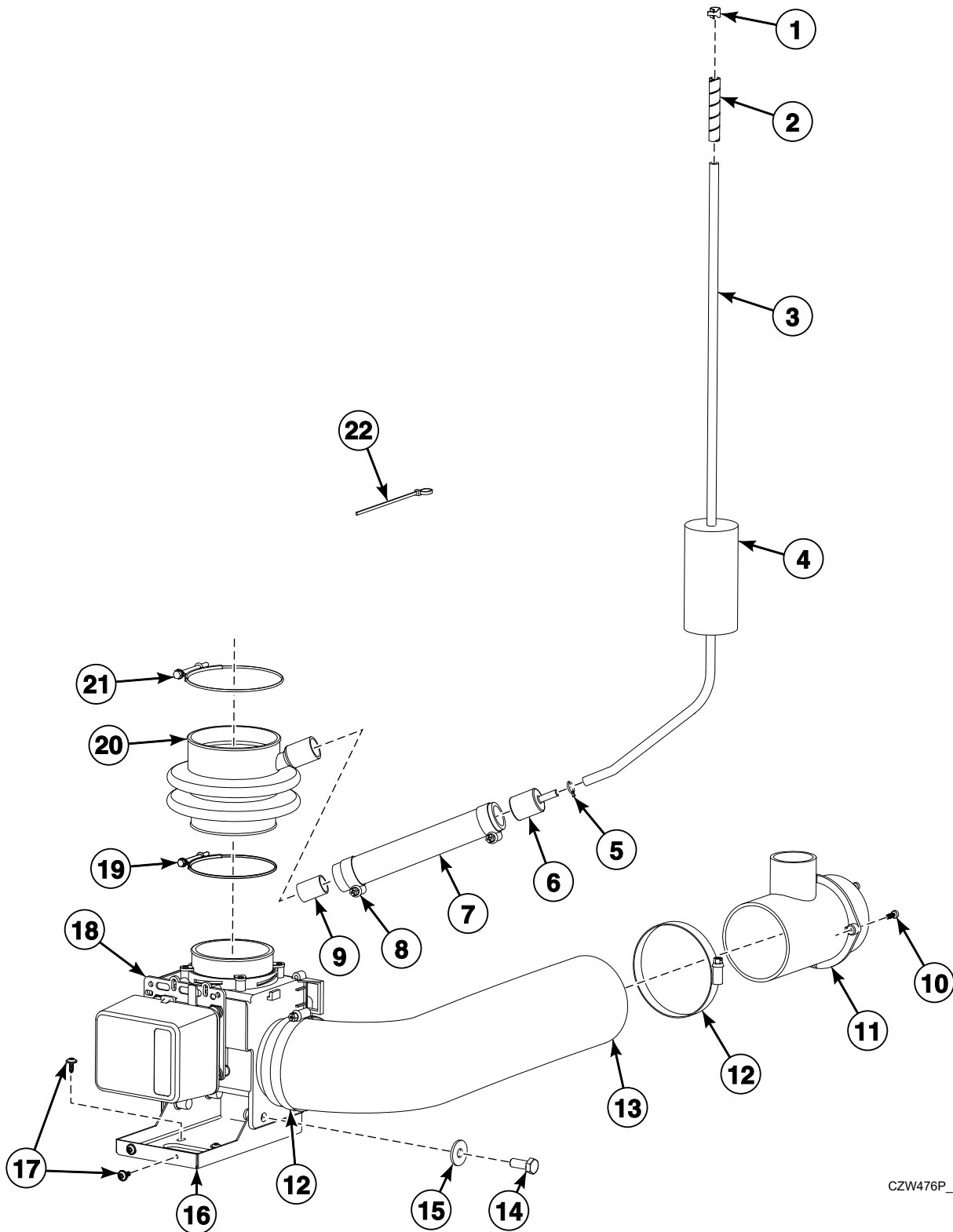
CZW255P_D1617

Three Water Inlet System without Soap Hopper

REF	PART NO.	DESCRIPTION	COMMENTS
1	SP555504	Bolt	M4x12
2	570195	1-Way Valve	3/4 inch
3	SPPRI340004030	Filter	
4	SPPRI240000002	Hose Clamp	
5	RSPB12543901	Double Reverse Valve	IYY, LYY, NYY, PYY, SYY and UYY models
6	RSPF200166	Filling Hose Pipe	IYY, LYY, NYY, PYY, SYY and UYY models
7	SPPRI520001009	Seal	
8	SPPRI540000014	Hose	
9	SP503817	Binding Strip	
10	SPPRI505000054	Filling Hose Pipe	Used with cold water
	SP547980	Filling Hose Pipe	Used with hot water
	SP101621	Filling Hose Pipe	water approval
11	567053	Plug	
12	SPPRI240000021	Hose Clamp	60-80
13	SPPRI240000003	Hose Clamp	20-32
14	SP526509	Vent Hose	
15	SP526558	Mixer	
16	SP526497	Screw	4x12
17	SP526565	Mixer Body	
18	SP526557	Mixer Lid	
19	SPPRI240000017	Hose Clamp	40-60
20	SP526481	Overflow Tube	
21	SP526491	Hose Clamp	62-70
22	SP526456	Filling Elbow Pipe	
23	SPPRI240000007	Hose Clamp	70-90
24	SP503839	Temperature Sensor	
25	SP526439	Temperature Sensor Seal	

Drain System

Models with A, D, F, I, J, R, T or X in 7th position of the model number



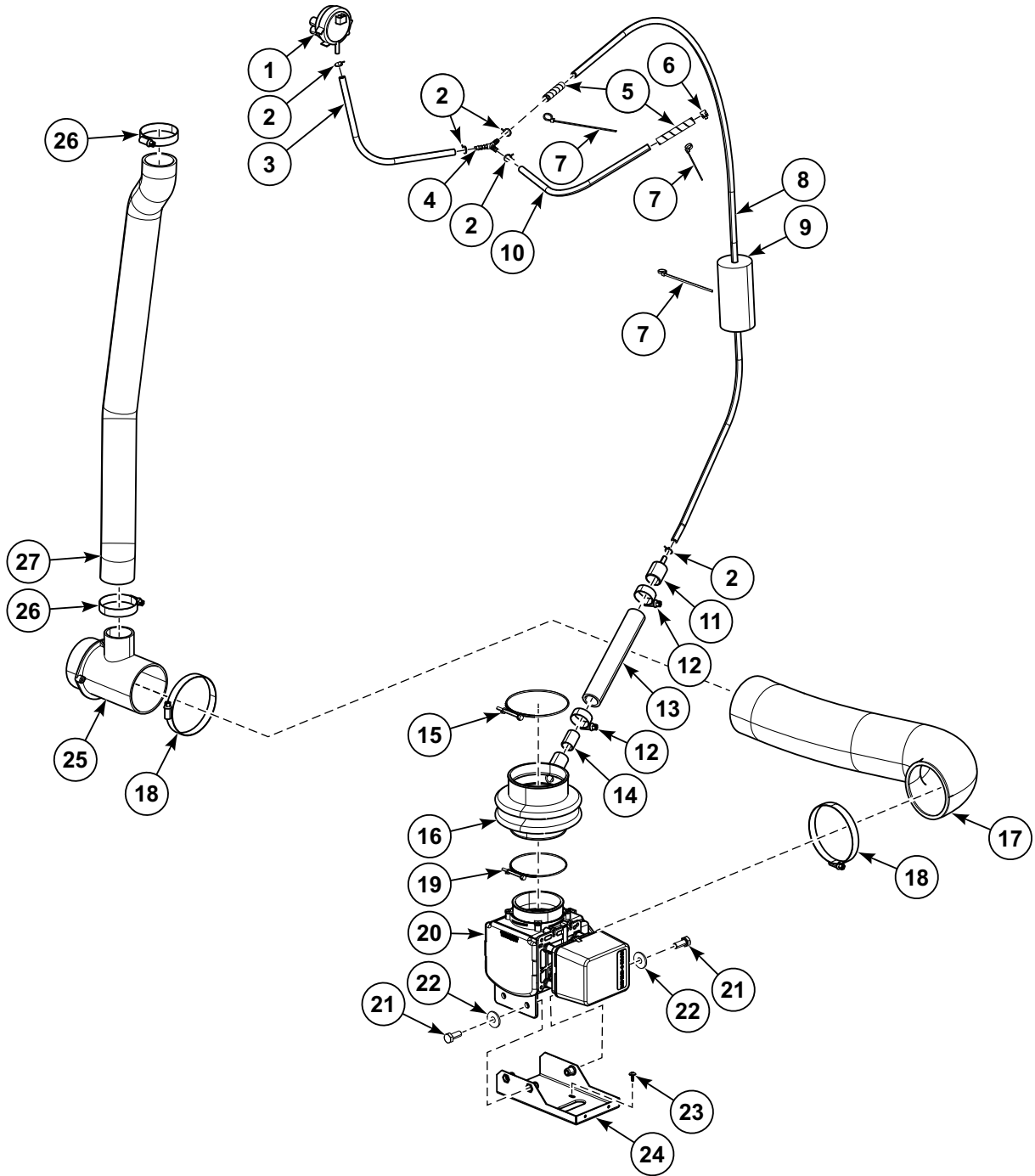
CZW476P_D1617

Drain System

REF	PART NO.	DESCRIPTION	COMMENTS
1	SP540183	Spring Clamp	
2	SP283449080200	Spiral	
3	SPPRI540001003	Water Level Switch Hose	
4	SP100188	Foam Roller	
5	SPPRI241000017	Hose Clamp	A5.5
6	SPPRI503000027	Air Trap Reduction	
7	SPPRI503002049	Hose	Air trap
8	SPPRI240000003	Hose Clamp	20-32
9	SP500125	Reinforcement Tube	
10	SP526497	Screw	4x12
11	SP526454	Tee	
12	SPPRI240000007	Hose Clamp	70-90
13	SP526591	Drain Elbow	
14	SP309933000820	Bolt	M8x20
15	SP311902100008	Washer	8
16	SP526511	Drain Valve Holder	
17	SP529206	Screw	4x11
18	SP526460	Drain Valve	Black; Includes 553195 Drain Valve Chamber, SPPRI340002051 Drain Valve Motor and 554276 Drain Valve Seal
	SP553195	Drain Valve Chamber	Black
	SPPRI340002051	Drain Valve Motor	Includes gear box
	SP547821	Reverse Function Drain Valve	CE and Watermark; Black; Includes 553195 Drain Valve Chamber, SPPRI340002051 Drain Valve Motor and 554276 Drain Valve Seal
	554276	Drain Valve Seal	
19	576096	Hose Clamp	78-85
20	SP526492	Drain Hose Pipe	
21	SP526532	Hose Clamp	82-90
22	SP345000626088	Binding Strip	

Drain System

Models with G or V in 7th position of the model number



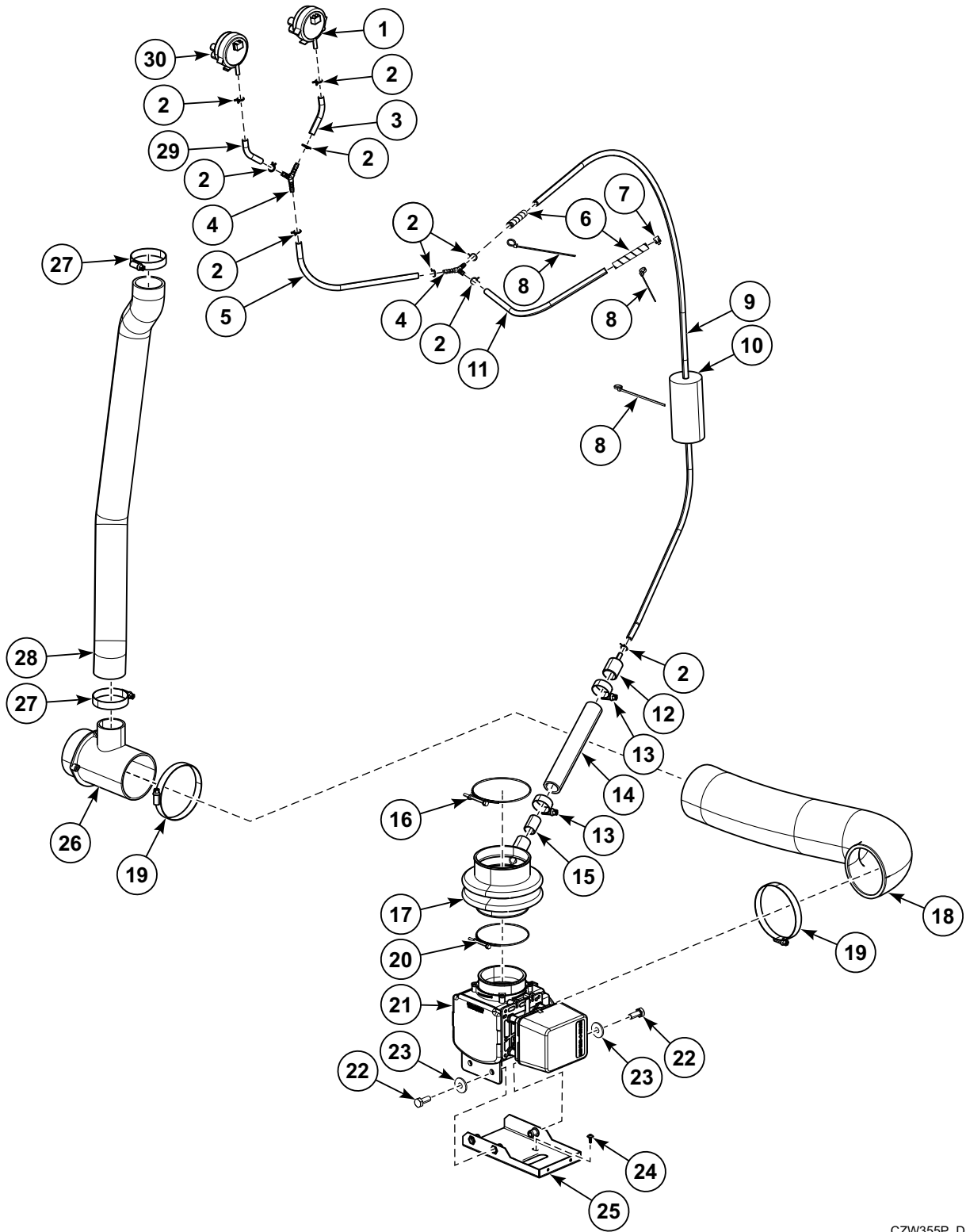
CZW416P_D1617

Drain System

REF	PART NO.	DESCRIPTION	COMMENTS
1	570315	Water Level Switch	
2	SPPRI241000017	Hose Clamp	A5.5
3	SPPRI540001003	Water Level Switch Hose	12.2 inch (0.31 m)
4	SPPRI503000028	Y-Piece	
5	SP283449080200	Spiral	
6	SP540183	Spring Clamp	
7	SP345000626088	Binding Strip	
8	SPPRI540001003	Water Level Switch Hose	31.5 inch (0.8 m)
9	SP100188	Foam Roller	
10	SPPRI540001003	Water Level Switch Hose	11.42 inch (0.29 m)
11	SPPRI503000027	Air Trap Reduction	
12	SPPRI240000003	Hose Clamp	20-32
13	SPPRI503002049	Hose	Air trap
14	SP500125	Reinforcement Tube	
15	SP526532	Hose Clamp	82-90
16	SP526492	Drain Hose Pipe	
17	SP526591	Drain Elbow	
18	SPPRI240000007	Hose Clamp	70-90
19	576096	Hose Clamp	78-85
20	SP526460	Drain Valve	Black; Includes SPPRI340002051 Drain Valve Motor and 554276 Drain Valve Seal
	SP547821	Reverse Function Drain Valve	Black; Includes SPPRI340002051 Drain Valve Motor and 554276 Drain Valve Seal
	SPPRI340002051	Drain Valve Motor	Includes gear box
	554276	Drain Valve Seal	
21	SP309933000820	Bolt	M8x20
22	SP311902100008	Washer	8
23	SP529206	Screw	4x11
24	SP526511	Drain Valve Holder	
25	SP526454	Tee	
26	SPPRI240000017	Hose Clamp	40-60
27	SP526481	Overflow Tube	

Drain System

JY Models with V in 7th position of the model number



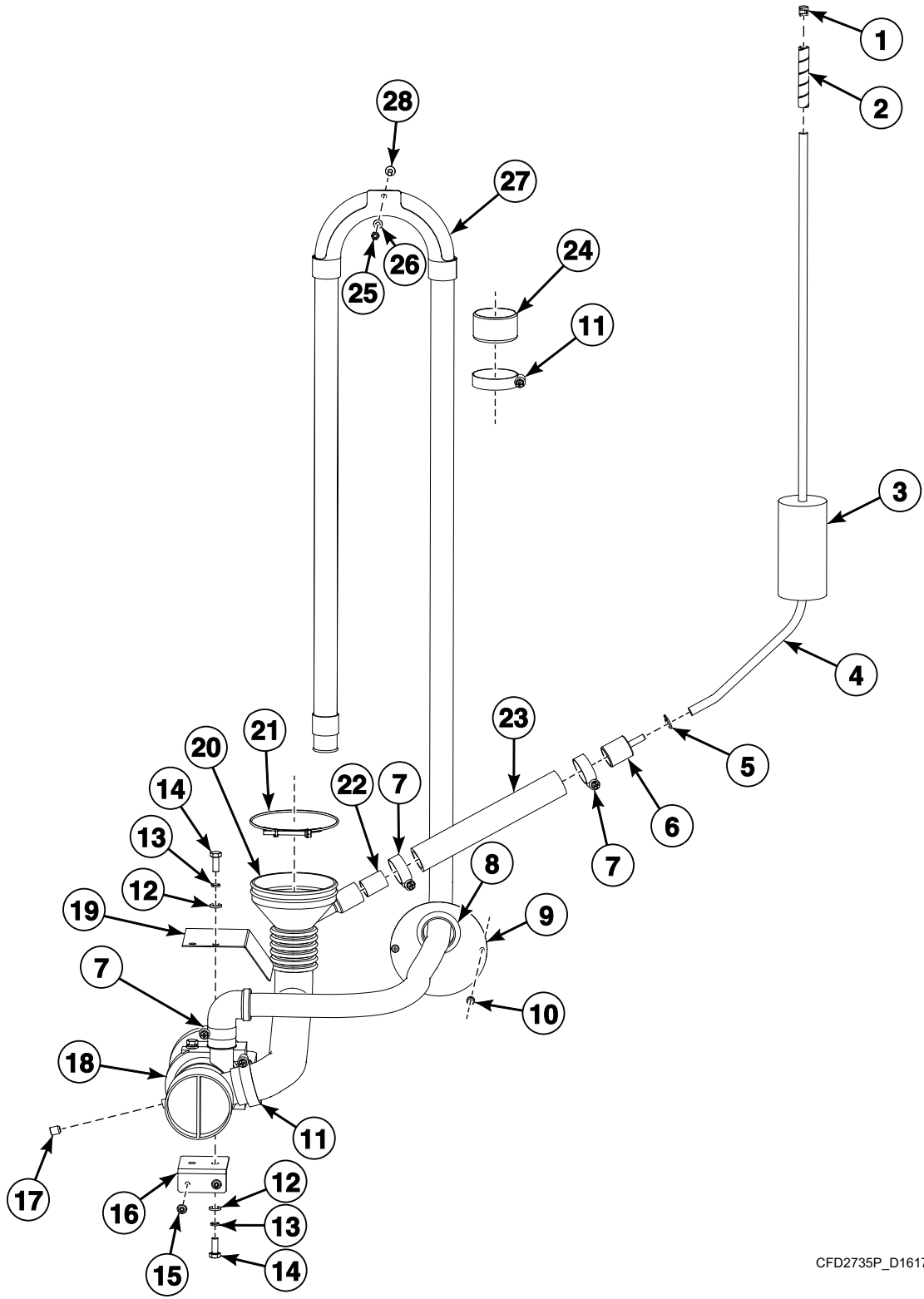
CZW355P_D1617

Drain System

REF	PART NO.	DESCRIPTION	COMMENTS
1	570315	Water Level Switch	
2	SPPRI241000017	Hose Clamp	A5.5
3	SPPRI540001003	Water Level Switch Hose	2.76 inch (0.07 m)
4	SPPRI503000028	Y-Piece	
5	SPPRI540001003	Water Level Switch Hose	5.12 inch (0.13 m)
6	SP283449080200	Spiral	
7	SP540183	Spring Clamp	
8	SP345000626088	Binding Strip	
9	SPPRI540001003	Water Level Switch Hose	31.5 inch (0.8 m)
10	SP100188	Foam Roller	
11	SPPRI540001003	Water Level Switch Hose	12.20 inch (0.31 m)
12	SPPRI503000027	Air Trap Reduction	
13	SPPRI240000003	Hose Clamp	20-32
14	SPPRI503002049	Hose	Air trap
15	SP500125	Reinforcement Tube	
16	SP526532	Hose Clamp	82-90
17	SP526492	Drain Hose Pipe	
18	SP526591	Drain Elbow	
19	SPPRI240000007	Hose Clamp	70-90
20	576096	Hose Clamp	78-85
21	SP526460	Drain Valve	Black; Includes SPPRI340002051 Drain Valve Motor and 554276 Drain Valve Seal
	SP547821	Reverse Function Drain Valve	Black; Includes SPPRI340002051 Drain Valve Motor and 554276 Drain Valve Seal
	SPPRI340002051	Drain Valve Motor	Includes gear box
	554276	Drain Valve Seal	
22	SP309933000820	Bolt	M8x20
23	SP311902100008	Washer	8
24	SP529206	Screw	4x11
25	SP526511	Drain Valve Holder	
26	SP526454	Tee	
27	SPPRI240000017	Hose Clamp	40-60
28	SP526481	Overflow Tube	
29	SPPRI540001003	Water Level Switch Hose	5.51 inch (0.14 m)
30	562709	Water Level Switch	

Drain System - Drain Pump Option Through Serial No. 65FX013025QF

Models with A, D, F, I, J, R, T or X in 7th position of the model number



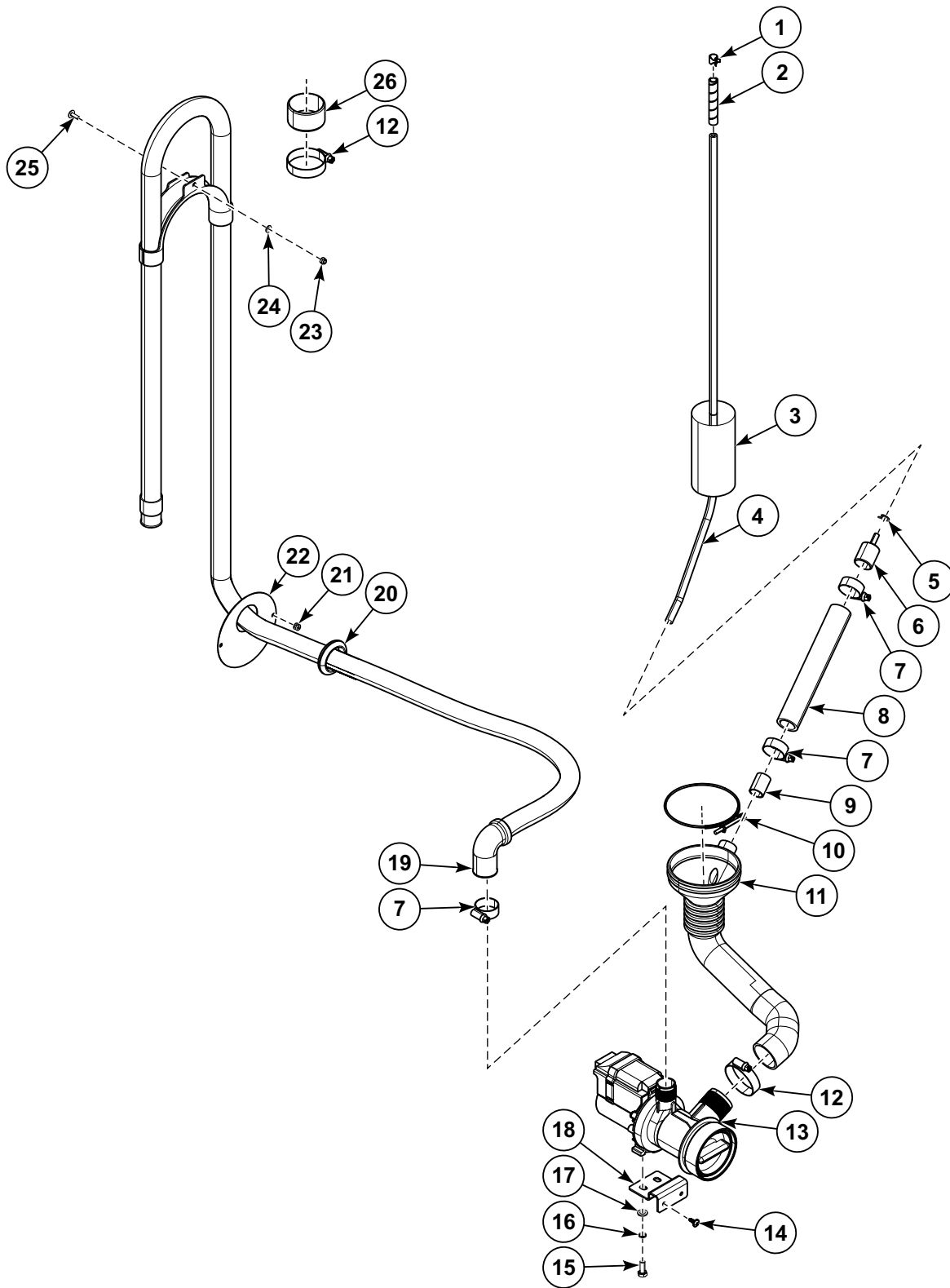
CFD2735P_D1617

Drain System - Drain Pump Option Through Serial No. 65FX013025QF

REF	PART NO.	DESCRIPTION	COMMENTS
	SPPRI704000053	Sealant	
1	SP540183	Spring Clamp	
2	SP283449080200	Spiral	
3	SP100188	Foam Roller	
4	SPPRI540001003	Water Level Switch Hose	
5	SPPRI241000017	Hose Clamp	A5.5
6	SPPRI503000027	Air Trap Reduction	
7	SPPRI240000003	Hose Clamp	20-32
8	SPPRI501001078	Cable Bushing	
9	SP547807	Drain Pump Hose Bushing	
10	SP313250004063	Rivet	4x6.3
11	SPPRI240000008	Hose Clamp	32-50
12	SP311125000006	Washer	6.4
13	SP311127000006	Washer	6
14	SP309933000616	Bolt	M6x16
15	SP529206	Screw	4x11
16	SP547804	Pump Holder	
17	SP309916000810	Bolt	M8x10
18	567937	Drain Pump Kit	50 Hz; Includes 570314 Drain Pump, 567127 Holder, SP529206 Screw, SP309933000616 Bolt M6x16, SP311125000006 Washer M6 and SP311127000006 Washer M6
19	SP500140	Pump Cover	
20	SP547803	Drain Elbow	
21	SP526532	Hose Clamp	82-90
22	SP500125	Reinforcement Tube	
23	SPPRI503002049	Hose	Air trap
24	SP526568	Cylinder Cap	
25	SP514193	Nut	M4
26	SP311125000004	Washer	4.3
27	SP521558	Drain Hose Pipe	
28	SP521957	Bolt	M4x12

Drain System - Drain Pump Option Starting Serial No. 65FX013026QF

Models with A, D, F, I, J, R, T or X in 7th position of the model number



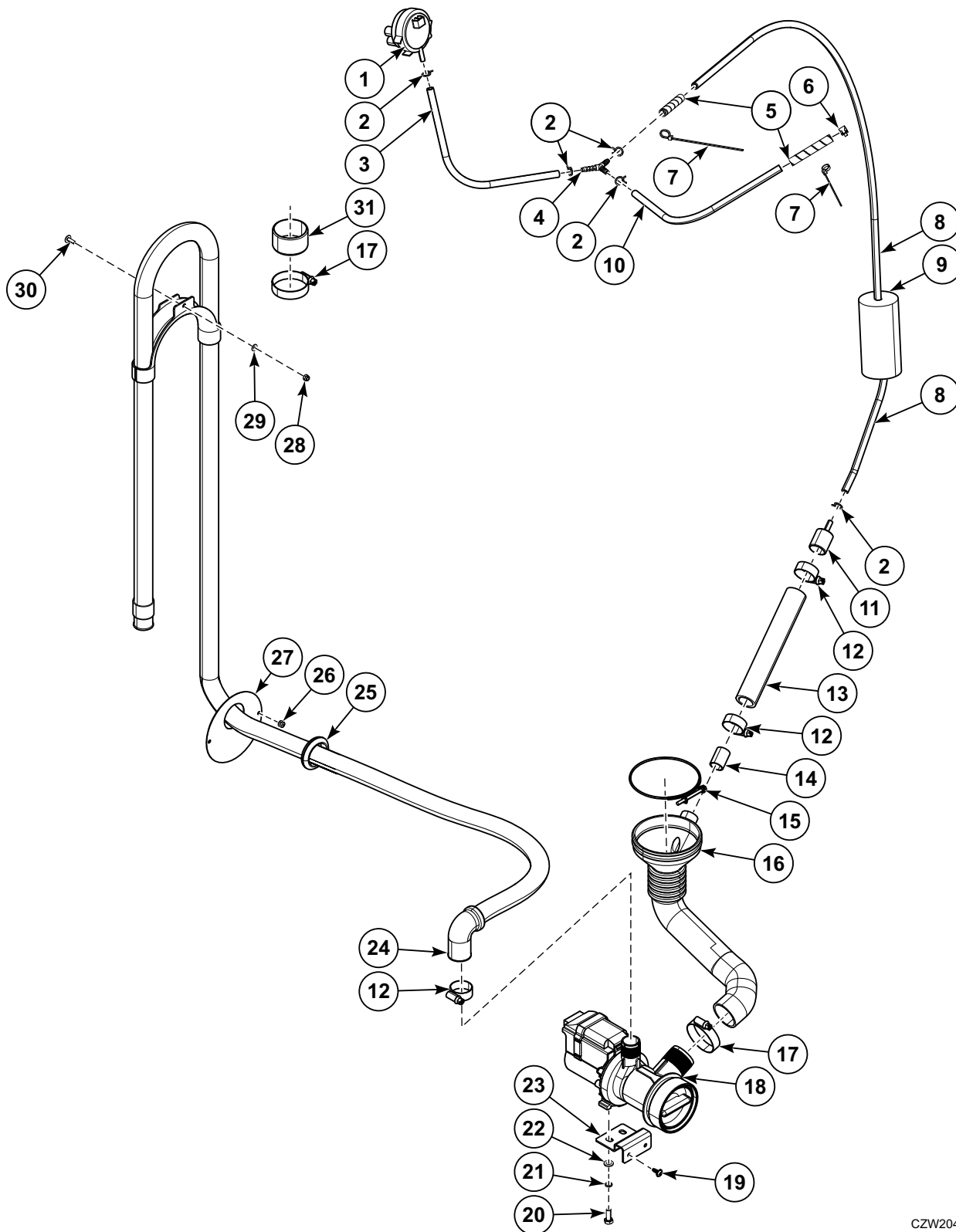
CZW323P_D1617

Drain System - Drain Pump Option Starting Serial No. 65FX013026QF

REF	PART NO.	DESCRIPTION	COMMENTS
1	SP540183	Spring Clamp	
2	SP283449080200	Spiral	
3	SP100188	Foam Roller	
4	SPPRI540001003	Water Level Switch Hose	
5	SPPRI241000017	Hose Clamp	A5.5
6	SPPRI503000027	Air Trap Reduction	
7	SPPRI240000003	Hose Clamp	20-32
8	SPPRI503002049	Hose	Air trap
9	SP500125	Reinforcement Tube	
10	SP526532	Hose Clamp	82-90
11	SP547803	Drain Elbow	
12	SPPRI240000008	Hose Clamp	32-50
13	570314	Drain Pump	50Hz
	567142	Drain Pump	60Hz
14	SP529206	Screw	4x11
15	SP309933000616	Bolt	M6x16
16	SP311127000006	Washer	6
17	SP311125000006	Washer	6.4
18	567127	Pump Holder	
19	SP521558	Drain Hose Pipe	
20	SPPRI501001078	Cable Bushing	
21	SP313250004063	Rivet	4x6.3
22	SP547807	Drain Pump Hose Bushing	
23	SP514193	Nut	M4
24	SP311125000004	Washer	4.3
25	SP521957	Bolt	M4x12
26	SP526568	Cylinder Cap	

Drain System - Drain Pump Option

Models with G or V in 7th position of the model number



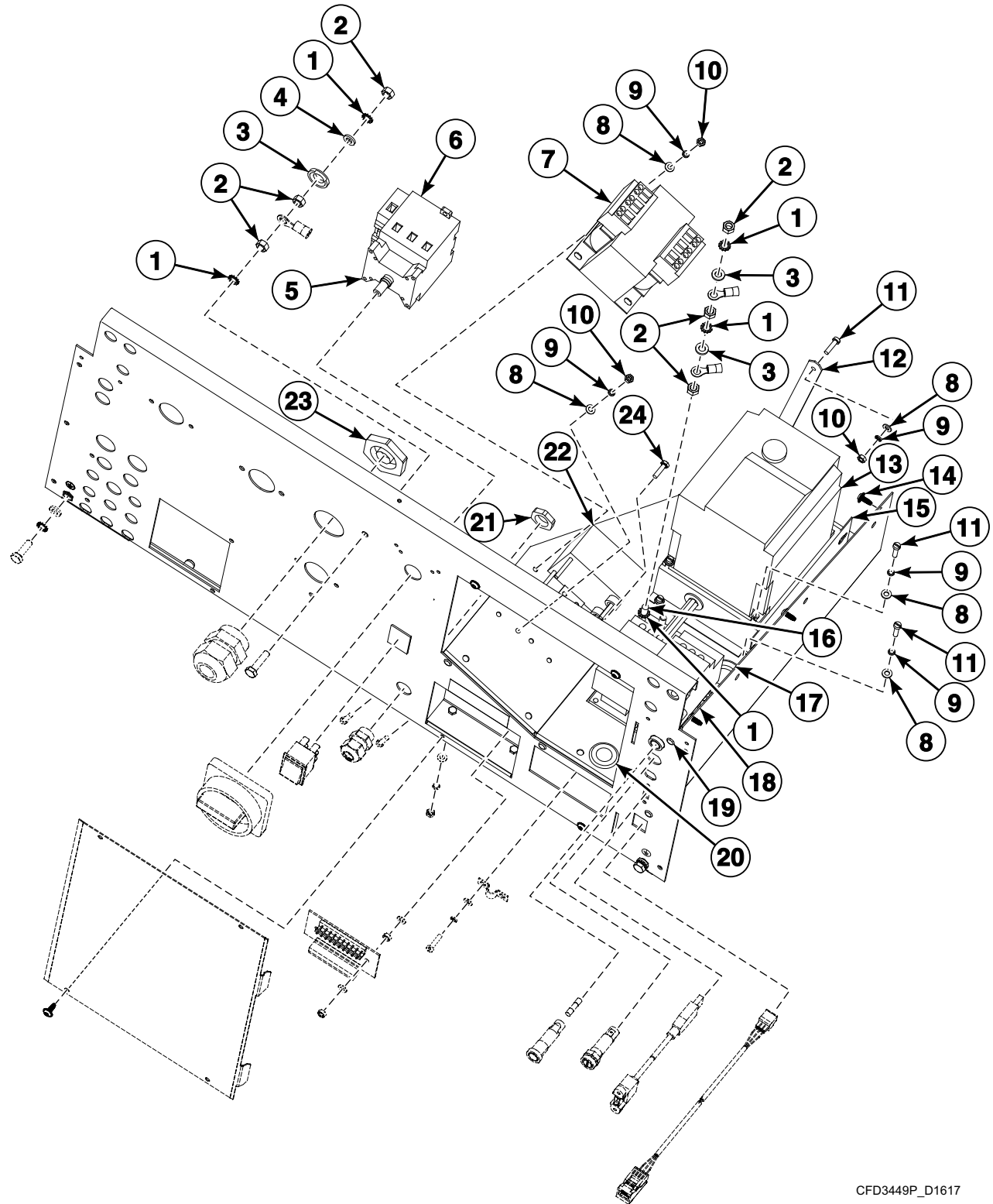
CZW204P_D1617

Drain System - Drain Pump Option

REF	PART NO.	DESCRIPTION	COMMENTS
	SPPRI704000053	Sealant	
1	570315	Water Level Switch	
2	SPPRI241000017	Hose Clamp	A5.5
3	SPPRI540001003	Water Level Switch Hose	0.31m
4	SPPRI503000028	Y-Piece	
5	SP283449080200	Spiral	
6	SP540183	Spring Clamp	
7	SP345000626088	Binding Strip	
8	SPPRI540001003	Water Level Switch Hose	0.8m
9	SP100188	Foam Roller	
10	SPPRI540001003	Water Level Switch Hose	0.29m
11	SPPRI503000027	Air Trap Reduction	
12	SPPRI240000003	Hose Clamp	20-32
13	SPPRI503002049	Hose	Air trap
14	SP500125	Reinforcement Tube	
15	SP526532	Hose Clamp	82-90
16	SP547803	Drain Elbow	
17	SPPRI240000008	Hose Clamp	32-50
18	570314	Drain Pump	50Hz
	567142	Drain Pump	60Hz
19	SP529206	Screw	4x11
20	SP309933000616	Bolt	M6x16
21	SP311127000006	Washer	6
22	SP311125000006	Washer	6.4
23	567127	Pump Holder	
24	SP521558	Drain Hose Pipe	
25	SPPRI501001078	Cable Bushing	
26	SP313250004063	Rivet	4x6.3
27	SP547807	Drain Pump Hose Bushing	
28	SP514193	Nut	M4
29	SP311125000004	Washer	4.3
30	SP521957	Bolt	M4x12
31	SP526568	Cylinder Cap	

Rear Panel (Drawing 1 of 3)

Models with A, D, F, I, J, R, T or X in 7th position of the model number except models with G, H, J or K in 13th position of the model number



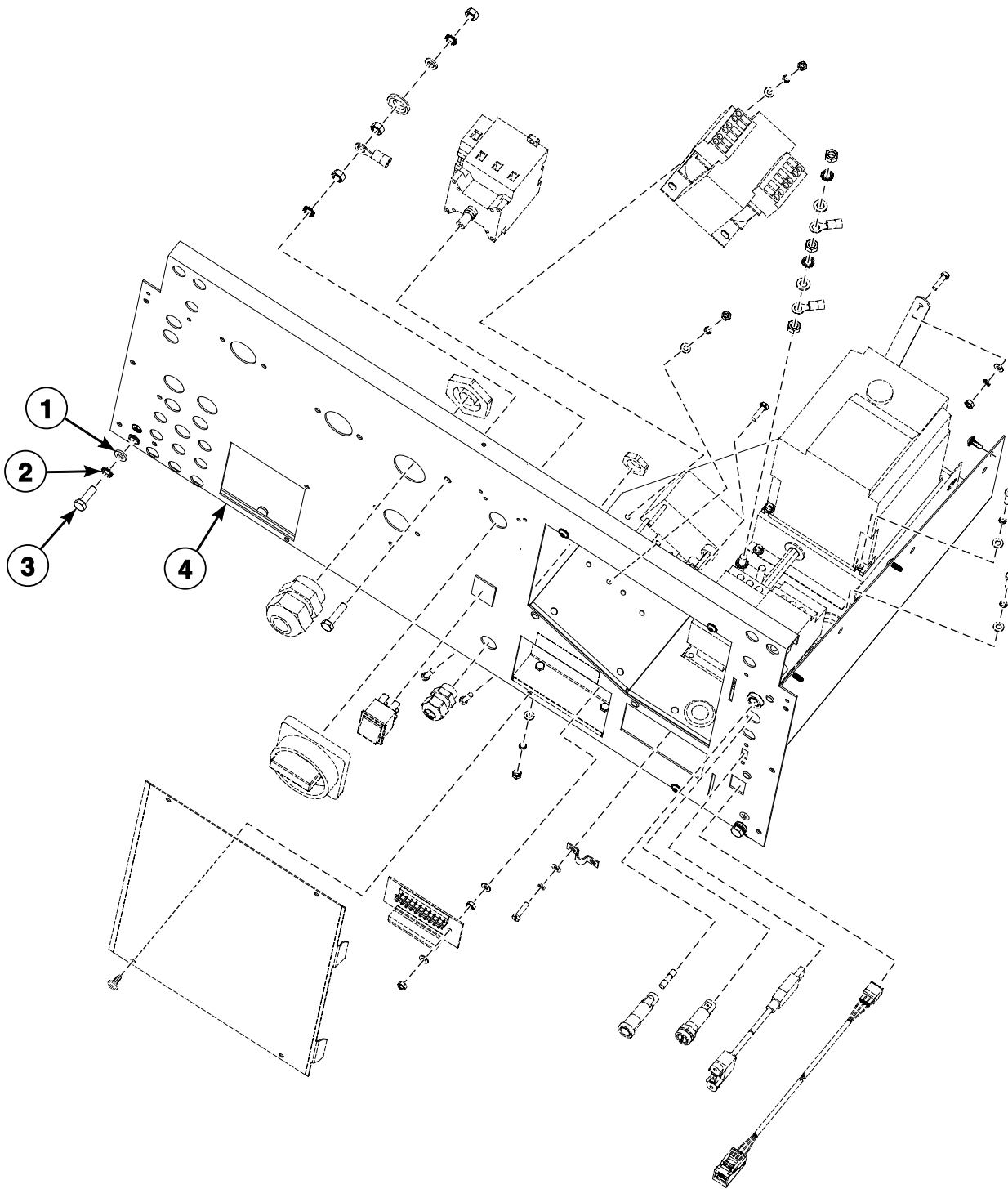
CFD3449P_D1617

Rear Panel (Drawing 1 of 3)

REF	PART NO.	DESCRIPTION	COMMENTS
	SP557768	Main Wiring	
	SP552475	Main Wiring	
	SP540180	Liquid Soap Supply Connection Kit	
	SPPRI350012007	Isolation Paper	
1	SP311679824006	Washer	M6
2	SP310934100006	Nut	M6
3	563361	Washer	
4	SP311125100006	Washer	6.4
5	SP506407	Main Switch	25A; Fourth Pole
	SPPRI404001098	Main Switch	32A; Fourth Pole
	SPPRI404001099	Main Switch	63A; Fourth Pole
6	SPPRI404000098	Main Switch	32A
	SPPRI404000097	Main Switch	25A
	SPPRI404000099	Main Switch	63A
7	SP516648	Transformer	
8	SP311125000004	Washer	4.3
9	SP311127000004	Washer	4
10	SP310934000004	Nut	M4
11	SP309084000416	Bolt	M4x16
12	SP526474	Holder Partition	
13	571471	Frequency Inverter	FR-D720S-042-SC-E8
	571474	Frequency Inverter	FR-D740-036-SC-E8
	SP528323	Communication Cable	
14	SP529206	Screw	4x11
15	SP525935	Filter	FR-D740-xxx
16	SP309933100625	Bolt	M6x25
17	SP273121022002	Cable Passage	22x2; AF, FX, HX, LY, PY, QW, SW and W models through Serial No. 65FX011134KZ; AF Non-Brand, H, HY, IY LP, NY, SY, UY and WMA models through Serial No. 65FX011218MB
18	SPPRI345002019	Contactor	LC1D32M7
	SP514043	Contactor	LC1D50M7
	SP514038	Contactor	LC1-D09M7
	SP514042	Contactor	LC1D18M7
19	SP313250004007	Rivet	4x7
20	SP273121015002	Cable Passage	15x2; AF, FX, HX, LY, PY, QW, SW and W models through Serial No. 65FX011134KZ; AF Non-Brand, H, HY, IY LP, NY, SY, UY and WMA models through Serial No. 65FX011218MB
21	SP101416	Nut	M16
22	SP516012	Filter	FR-D720S-xxx
23	SP101419	Nut	M32
24	SP309933000416	Bolt	M4x16

Rear Panel (Drawing 2 of 3)

Models with A, D, F, I, J, R, T or X in 7th position of the model number except models with G, H, J or K in 13th position of the model number



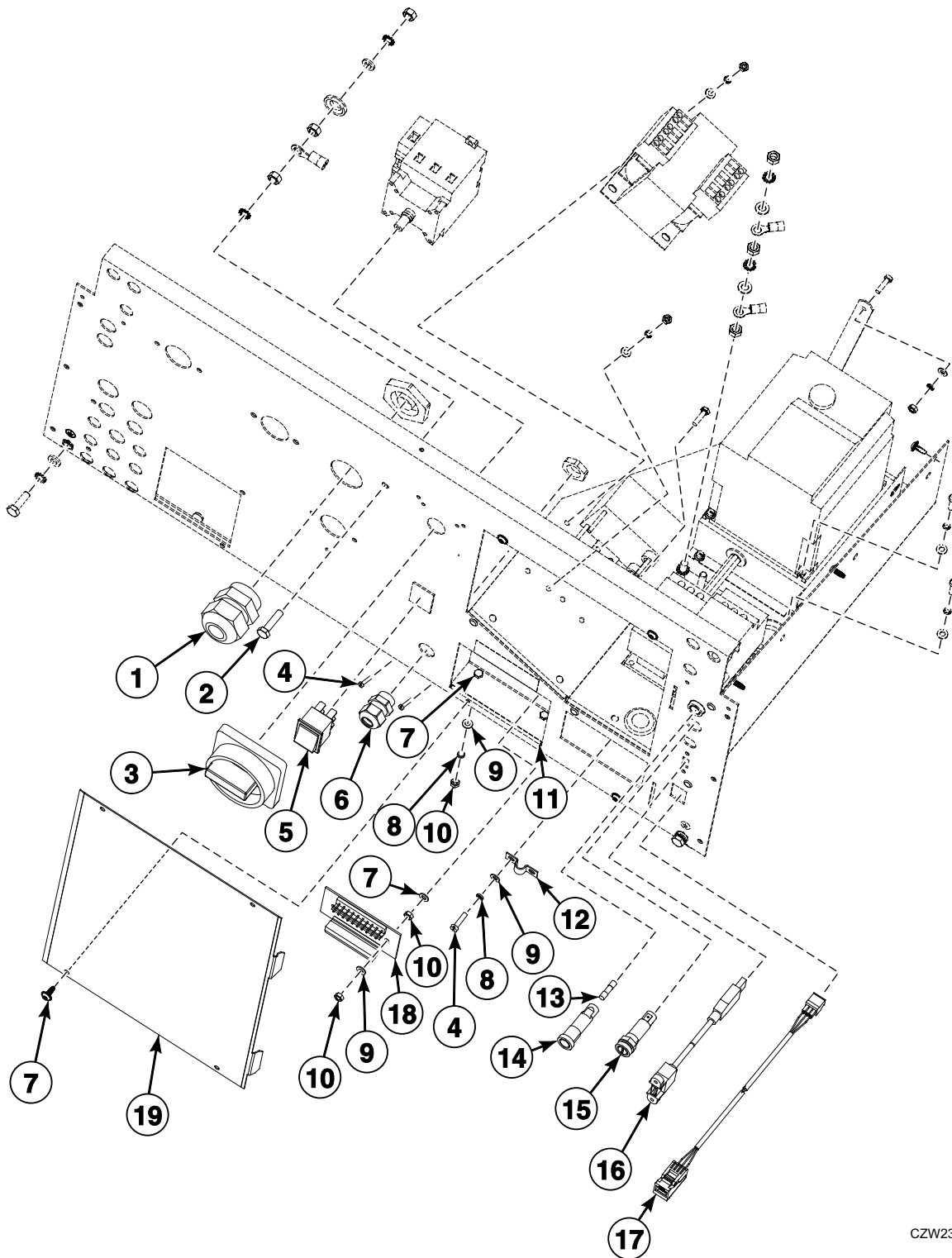
CFD3450P_D1617

Rear Panel (Drawing 2 of 3)

REF	PART NO.	DESCRIPTION	COMMENTS
	557982	Cable	Extra price option
	SP506575	Terminal Board	Extra price option
	557981	Label	Extra price option
1	SP311125240006	Washer	6.4
2	SP311679824006	Washer	M6
3	SP309933000620	Bolt	M6x20
4	SP554400	Rear Panel	AF Non-Brand, H, HY, IY, LP, NY, SY, UY and WMA models
	SP526573	Rear Panel	AF, FX, HX, LY, PY, QW, SW and W models

Rear Panel (Drawing 3 of 3)

Models with A, D, F, I, J, R, T or X in 7th position of the model number except models with G, H, J or K in 13th position of the model number



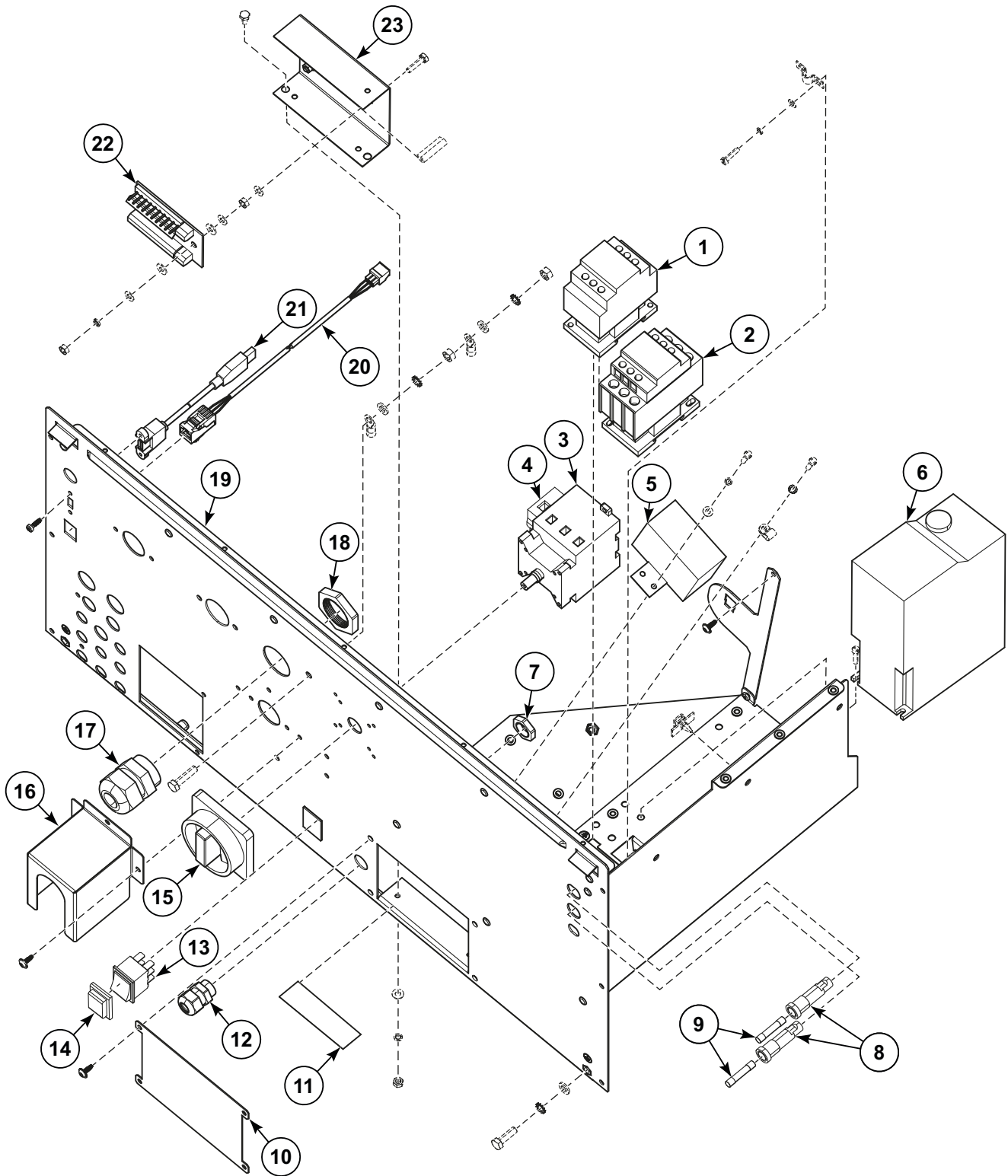
CZW23P_D1617

Rear Panel (Drawing 3 of 3)

REF	PART NO.	DESCRIPTION	COMMENTS
1	SP101409	Bushing	M32x1.5
	SP557952	Cable Bushing Insert	M32
2	SP309933100625	Bolt	M6x25
3	SPPRI404000095	Main Switch Knob	
4	SP309084000416	Bolt	M4x16
5	SP100388	Switch	
6	SP101406	Bushing	M16
7	SP529206	Screw	4x11
	SP309933240408	Bolt	M4x8
8	SP311127000004	Washer	4
9	SP311125000004	Washer	4.3
10	SP310934000004	Nut	M4
11	SP540123	Liquid Detergent Box	
12	SP528392	Cable Clamp	
13	SP345805005020	Fuse	5x20mm, T0.5A/250V
	SP345805163032	Fuse	6.3x32mm, T1A/500V
14	SPPRI401003020	Fuse Housing	6.3x32
15	SPPRI401001020	Fuse Holder	
16	SP547006	USB Cable	Rear panel connection
17	SP545234	Cable	RS485; With connectors
18	SP524714	Soap Relay Board	
	SP528149	Pump Relay Board to LED Terminal Cable	
	SP557944	Soap Link Kit	
	SP557947	External Block Signal Cable	2.8m
19	SP540121	Rear Panel Lid	

Rear Panel - 230-400V with Neutral (Drawing 1 of 2)

AF, IY and NY models with J, R, T or X in 7th position of the model number and with G, H, J or K in 13th position of the model number



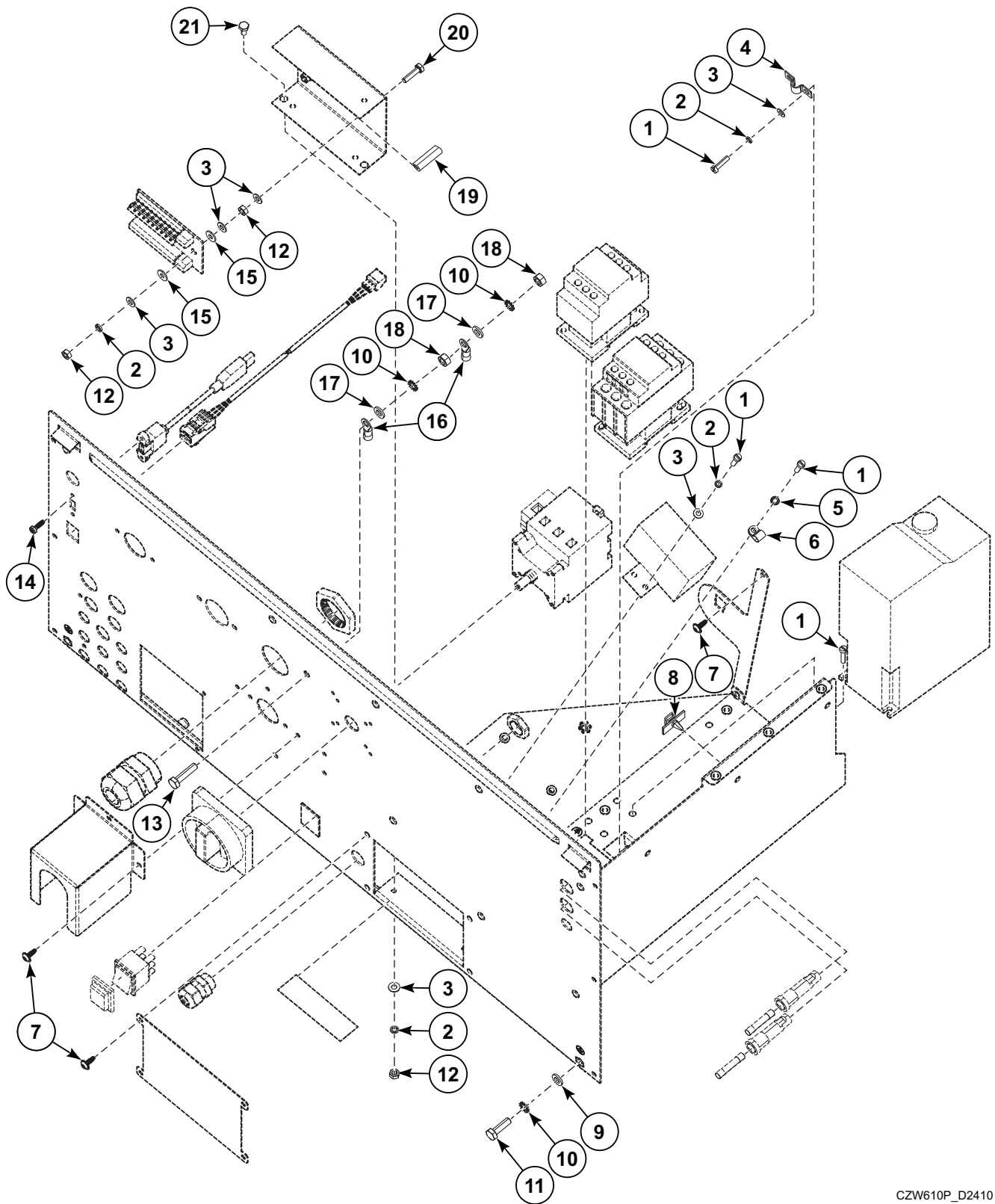
CZW604P_D2410

Rear Panel - 230-400V with Neutral (Drawing 1 of 2)

REF	PART NO.	DESCRIPTION	COMMENTS
1	SP514038	Contactors	LC1-D09M7; Used with frequency inverter
2	SP514038	Contactors	LC1-D09M7; Electric heating; 6kW, 9kW, 12kW 400V / 440V
	SP514042	Contactors	LC1D18M7; Electric heating 9kW 230V
	SPPRI345002019	Contactors	LC1D3201; Electric heating 12kW, 13.8kW, 230V
3	SPPRI404000097	Main Switch	25A; used with SP506407 Main Switch Fourth Pole 25A
	SPPRI404000098	Main Switch	32A; used with SPPRI404001098 Main Switch Fourth Pole 32A
	SPPRI404000099	Main Switch	63A; used with SPPRI404001099 Main Switch Fourth Pole 63A
4	SP506407	Main Switch	25A; Fourth pole
	SPPRI404001098	Main Switch	32A; Fourth pole
	SPPRI404001099	Main Switch	63A; Fourth pole
5	SP516012	Filter	16A / 250V
6	571471	Frequency Inverter	FR-D720S-042-SC-E8; 0.75kW; 230V / 400V+N
	571474	Frequency Inverter	1.5kW; 400V / 440V; FR-D740-036-SC-E8
	557961	Ferrite Core	Used with frequency inverter
7	SP101416	Nut	M16
8	SPPRI401003020	Fuse Housing	2 pieces
9	SP345805163032	Fuse	6.3x32mm, T1A/500V; 2 pieces
10	566549	Cover	
11	524740	Label	
12	SP101406	Bushing	M16
13	SP100388	Switch	
14	SPPRI543000003	Push Bottom Cover	
15	SPPRI404000095	Main Switch Knob	
16	582259	Cover	
17	SP101409	Bushing	M32x1.5
18	SP101419	Nut	M32
19	577191	Rear Panel	Assembly
20	SP545234	Cable	RS485; With connectors
21	SP547006	USB Cable	Rear panel connection; Optional
22	524714	Soap Relay Board	Used with SP528419 Pump Relay Board Flat Cable, 1=1.8m long
	SP557944	Soap Link Kit	
	SP557947	External Block Signal Cable	2.8m
23	540123	Holder	

Rear Panel - 230-400V with Neutral (Drawing 2 of 2)

AF, IY and NY models with J, R, T or X in 7th position of the model number and with G, H, J or K in 13th position of the model number



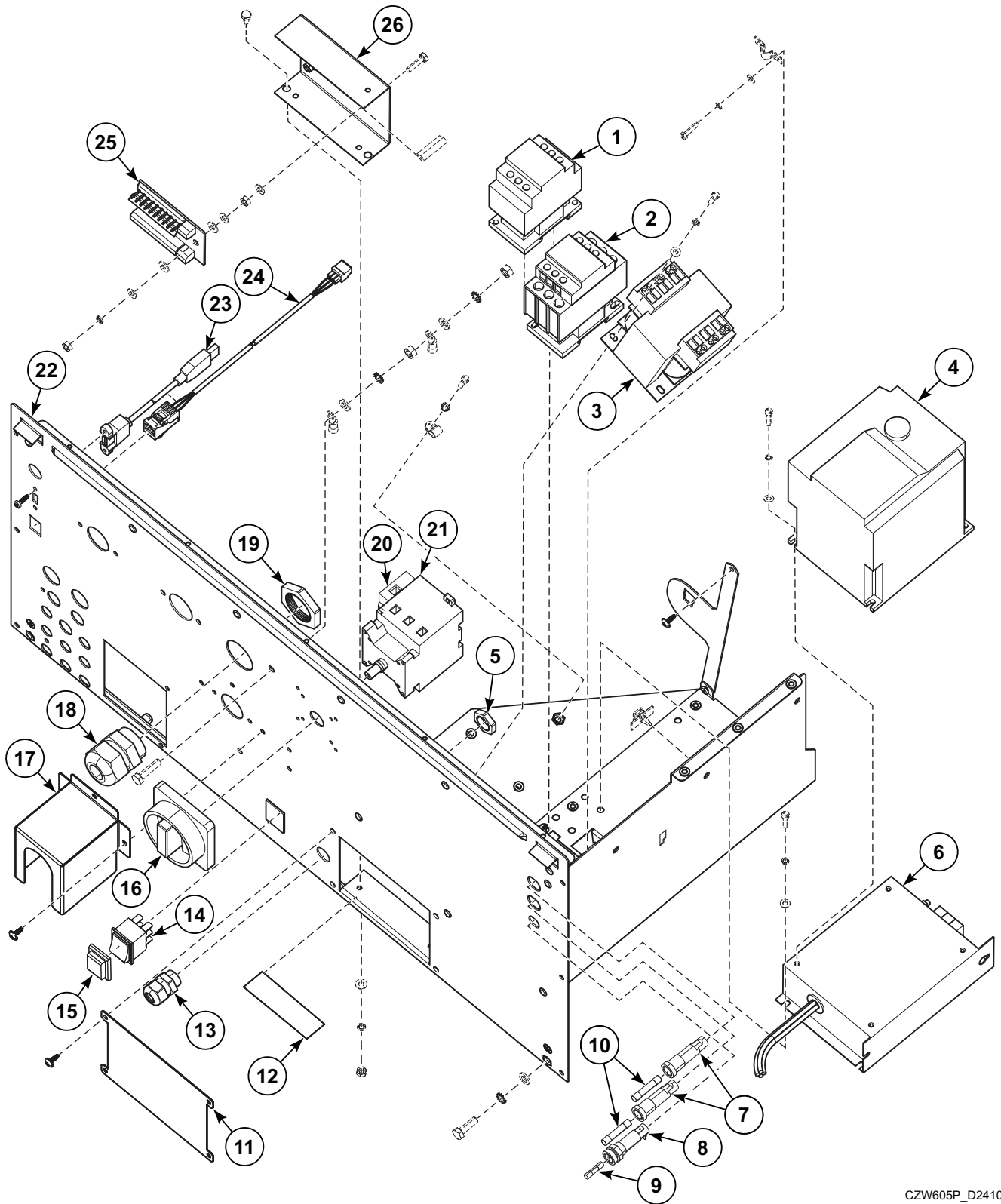
CZW610P_D2410

Rear Panel - 230-400V with Neutral (Drawing 2 of 2)

REF	PART NO.	DESCRIPTION	COMMENTS
1	SP309084000416	Bolt	M4x16
2	SP311127000004	Washer	4
3	SP311125000004	Washer	4.3
4	SP528392	Cable Clamp	
5	SP311679800004	Washer	M4
6	SP502214	Clip	
7	SP529206	Screw	4x11
8	SP528313	Cable Holder	
9	SP311125240006	Washer	6
10	SP311679824006	Washer	6
11	SP309933000620	Bolt	M6x20
12	SP310934000004	Nut	M4
13	SP309933100625	Bolt	M6x25
14	SP526497	Screw	4x12
15	SPPRI523000007	Washer	M4
16	345000165034	Cable Eye	
17	SP311125100006	Washer	
18	SP310934100006	Nut	M6
19	SPPRI505000058	Profiled Sealing	
20	SP309933000416	Bolt	M4x16
21	SP309933240408	Bolt	M4x8

Rear Panel - 400-440V (Drawing 1 of 2)

AF, IY and NY models with J, R, T or X in 7th position of the model number and with G, H, J or K in 13th position of the model number



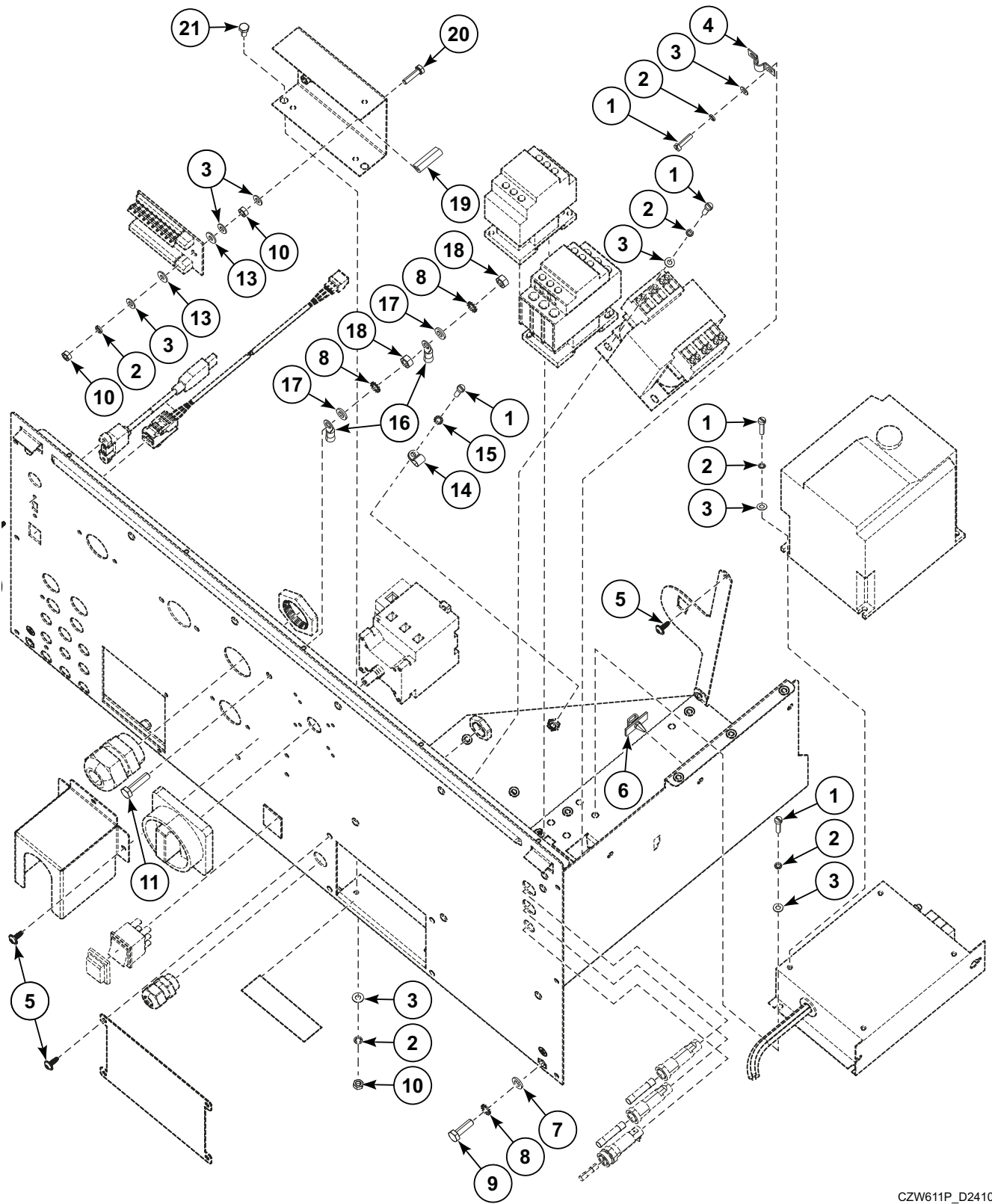
CZW605P_D2410

Rear Panel - 400-440V (Drawing 1 of 2)

REF	PART NO.	DESCRIPTION	COMMENTS
1	SP514038	Contactator	LC1-D09M7; Used with frequency inverter
2	SP514038	Contactator	LC1-D09M7; Electric heating; 6kW, 9kW, 12kW 400V / 440V
	SP514042	Contactator	LC1D18M7; Electric heating 9kW 230V
	SPPRI345002019	Contactator	LC1D3201; Electric heating 12kW, 13.8kW, 230V
3	SP516648	Transformer	
4	571474	Frequency Inverter	1.5kW; 400V / 440V; FR-D740-036-SC-E8
	557961	Ferrite Core	Used with frequency inverter
5	SP101416	Nut	M16
6	525935	Filter	16A
7	SPPRI401003020	Fuse Housing	2 pieces
8	SPPRI401001020	Fuse Holder	
9	SP345805005020	Fuse	5x20mm, T0.5A/250V; 1 piece
10	SP345805163032	Fuse	6.3x32mm, T1A/500V; 2 pieces
11	566549	Cover	
12	524740	Label	
13	SP101406	Bushing	M16
14	SP100388	Switch	
15	SPPRI543000003	Push Bottom Cover	
16	SPPRI404000095	Main Switch Knob	
17	582259	Cover	
18	SP101409	Bushing	M32x1.5
19	SP101419	Nut	M32
20	SP506407	Main Switch	25A; Fourth pole
	SPPRI404001098	Main Switch	32A; Fourth pole
	SPPRI404000099	Main Switch	63A; Fourth pole
21	SPPRI404000097	Main Switch	25A; used with SP506407 Main Switch Fourth Pole 25A
	SPPRI404000098	Main Switch	32A; used with SPPRI404001098 Main Switch Fourth Pole 32A
	SPPRI404000099	Main Switch	63A; used with SPPRI404001099 Main Switch Fourth Pole 63A
22	577191	Rear Panel	Assembly
23	SP547006	USB Cable	Rear panel connection; Optional
24	SP545234	Cable	RS485; With connectors
25	524714	Soap Relay Board	Used with SP528419 Pump Relay Board Flat Cable, l=1.8m long
	SP557944	Soap Link Kit	
	SP557947	External Block Signal Cable	2.8m
26	540123	Holder	

Rear Panel - 400-440V (Drawing 2 of 2)

AF, IY and NY models with J, R, T or X in 7th position of the model number and with G, H, J or K in 13th position of the model number



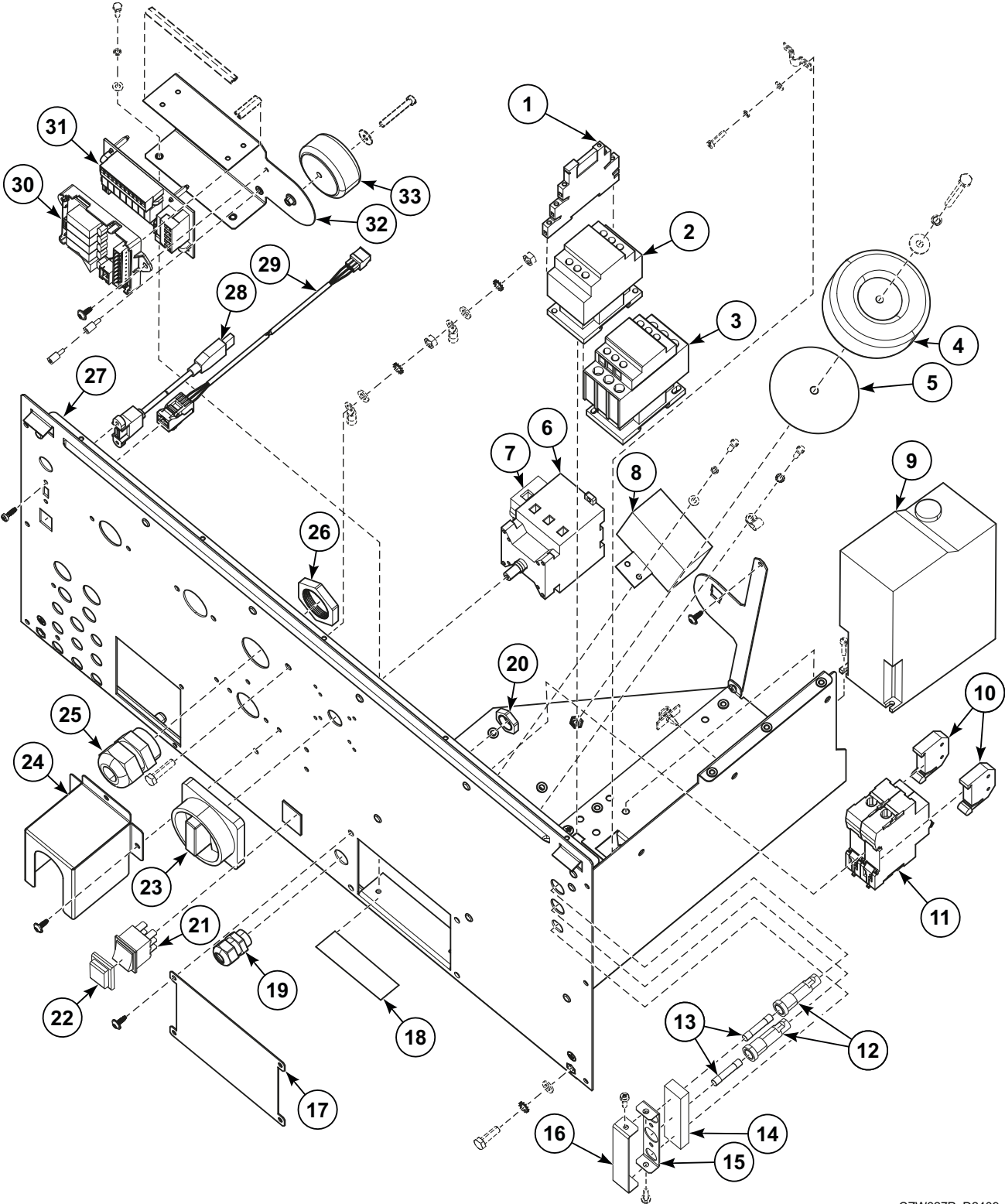
CZW611P_D2410

Rear Panel - 400-440V (Drawing 2 of 2)

REF	PART NO.	DESCRIPTION	COMMENTS
1	SP309084000416	Bolt	M4x16
2	SP311127000004	Washer	4
3	SP311125000004	Washer	4.3
4	SP528392	Cable Clamp	
5	SP529206	Screw	4x11
6	SP528313	Cable Holder	
7	SP311125240006	Washer	6
8	SP311679824006	Washer	6
9	SP309933000620	Bolt	M6x20
10	SP310934000004	Nut	M4
11	SP309933100625	Bolt	M6x25
12	SP526497	Screw	4x12
13	SPPRI523000007	Washer	M4
14	SP502214	Clip	
15	SP311679800004	Washer	M4
16	345000165034	Cable Eye	
17	SP311125100006	Washer	
18	SP310934100006	Nut	M6
19	SPPRI505000058	Profiled Sealing	
20	SP309933000416	Bolt	M4x16
21	SP309933240408	Bolt	M4x8

Rear Panel - 230-400V CE Models with Neutral (Drawing 1 of 2)

AF, IY, JY and NY models with V in 7th position of the model number
All models with G in 7th position of the model number



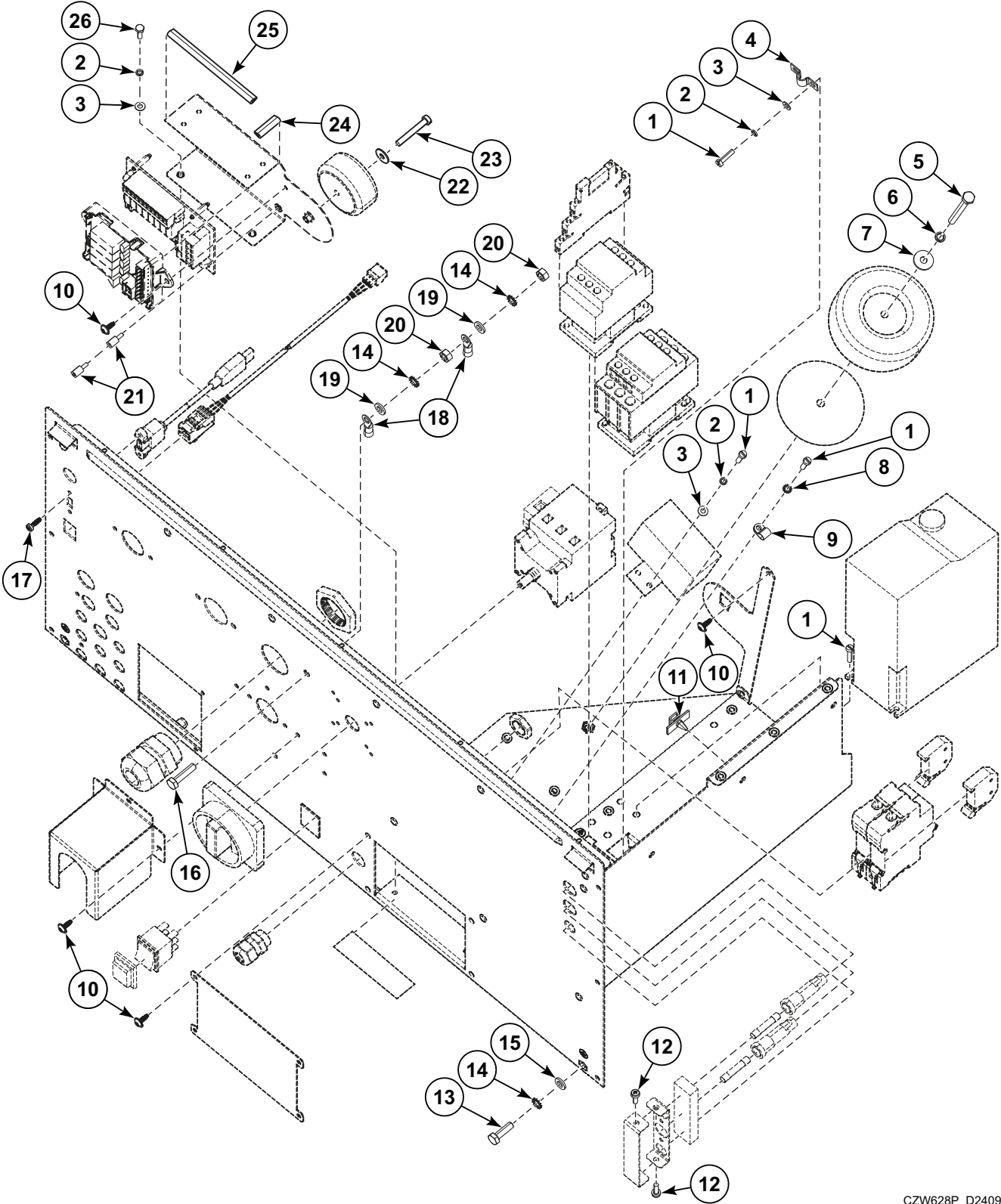
CZW627P_D2409

Rear Panel - 230-400V CE Models with Neutral (Drawing 1 of 2)

REF	PART NO.	DESCRIPTION	COMMENTS
	570316	Liquid detergents	Assembly, includes items: (drawing 1 of 2): 18, 19, 20, 31-33, 569737 Pump Relay Board Flat Cable and items from (drawing 2 of 2): 2, 3 and 22-26
1	SP552468	Relay	2 poles; Used with drain pump
2	SP514038	Contactactor	LC1-D09M7; Used with frequency inverter
3	SP514038	Contactactor	LC1-D09M7; Electric heating; 6kW, 9kW, 12kW 400V / 440V
	SP514042	Contactactor	LC1D18M7; Electric heating 9kW 230V
	SPPRI345002019	Contactactor	LC1D3201; Electric heating 12kW, 13.8kW, 230V
4	571454	DC Choke	9.7mH; Supply 230V, 380-415V+N
5	571458	Insulation Washer	
6	SPPRI404000097	Main Switch	25A; used with SP506407 Main Switch Fourth Pole 25A
	SPPRI404000098	Main Switch	32A; used with SPPRI404001098 Main Switch Fourth Pole 32A
	SPPRI404000099	Main Switch	63A; used with SPPRI404001099 Main Switch Fourth Pole 63A
7	SP506407	Main Switch	25A; Fourth pole
	SPPRI404001098	Main Switch	32A; Fourth pole
	SPPRI404001099	Main Switch	63A; Fourth pole
8	568380	Filter	20A / 250V
9	571471	Frequency Inverter	FR-D720S-042-SC-E8; 0.75kW; 230V / 400V+N
	571474	Frequency Inverter	1.5kW; 400V / 440V; FR-D740-036-SC-E8
	557961	Ferrite Core	Used with frequency inverter
10	SP346000209101	End Stop	
11	571462	Circuit Breaker	
12	SPPRI401003020	Fuse Housing	2 pieces
13	SP345805163032	Fuse	6.3x32mm, T1A/500V; 2 pieces
14	570387	Self-Adhesive Profile	
15	SP554310	Fuse Holder	
16	SP554311	Fuse Cover	
17	566549	Cover	
18	570371	Label	Models with Transformer
	579019	Label	Models without Transformer
19	SP101406	Bushing	M16
20	SP101416	Nut	M16
21	SP100388	Switch	
22	SPPRI543000003	Push Bottom Cover	
23	SPPRI404000095	Main Switch Knob	
24	582259	Cover	
25	SP101409	Bushing	M32x1.5
26	SP101419	Nut	M32
27	569591	Rear Panel	
28	SP547006	USB Cable	Rear panel connection; Optional
29	SP545234	Cable	RS485; With connectors
30	804528	Soap Relay Board	Models with G in 7th position of the model number; used with F8715501 Extension Board Connection, 2.08m long
31	553187	Soap Relay Board	AF, IY, JY and NY models with V in 7th position of the model number; used with 569737 Pump Relay Board Flat Cable, 2m long
	582964	External Block Cabel Kit	AF, IY, JY and NY models with V in 7th position of the model number; blocking the external signal
32	570382	Holder	
33	564561	Transformer	Transformer for Liquid Products
	579014	Transformer Kit	AF, IY, JY and NY models with V in 7th position of the model number; Transformer for Liquid Products
	577554	Transformer Kit	Models with G in 7th position of the model number; Transformer for Liquid Products

Rear Panel - 230-400V CE Models with Neutral (Drawing 2 of 2)

AF, IY, JY and NY models with V in 7th position of the model number
All models with G in 7th position of the model number



CZW628P_D2409

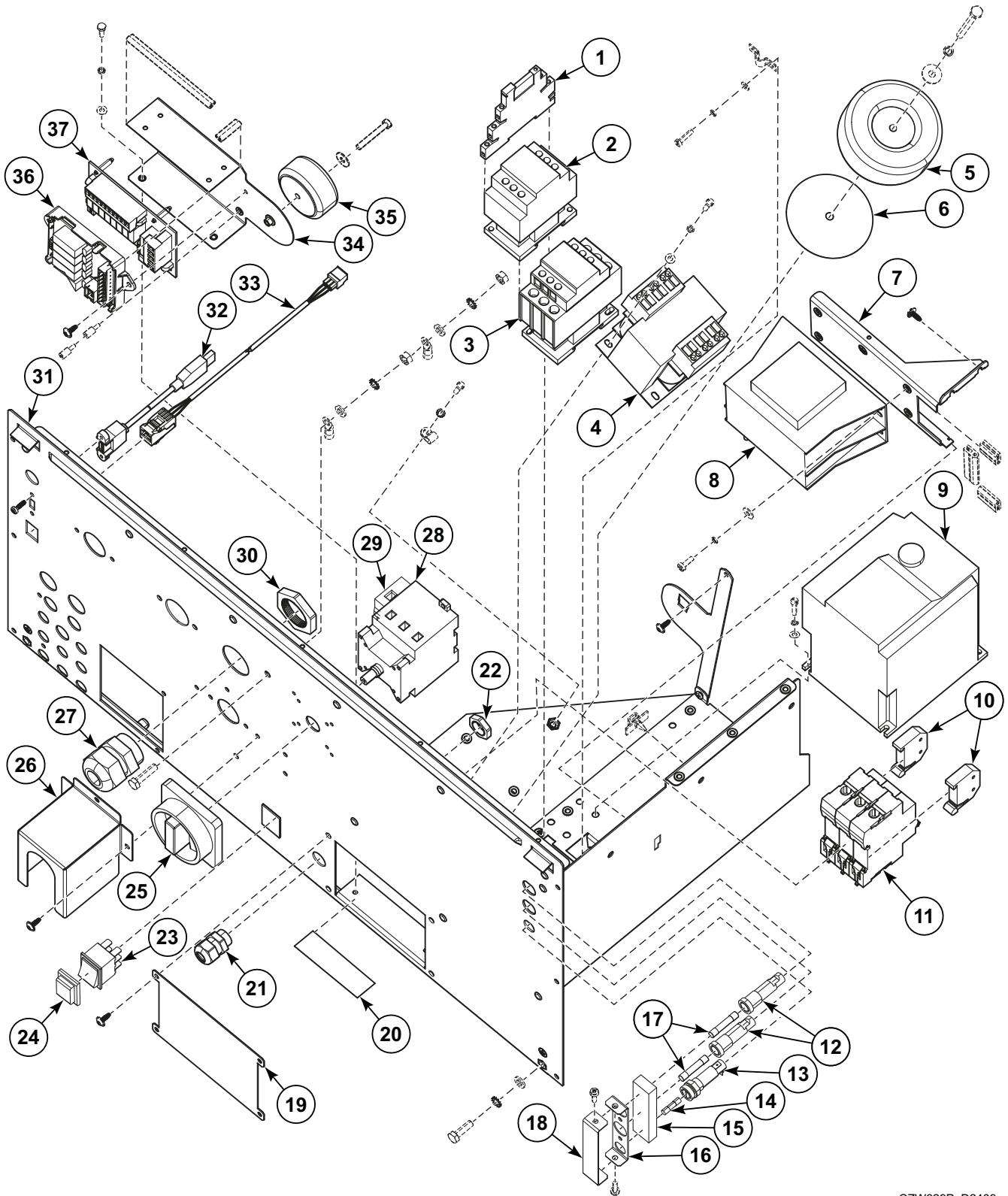
Rear Panel - 230-400V CE Models with Neutral (Drawing 2 of 2)

REF	PART NO.	DESCRIPTION	COMMENTS
1	SP309084000416	Bolt	M4x16
2	SP311127000004	Washer	4
3	SP311125000004	Washer	4.3
4	SP528392	Cable Clamp	
5	SP309933000660	Bolt	M6x60
6	SP311127000006	Washer	6
7	SP311902100006	Washer	6
8	SP311679800004	Washer	M4
9	SP502214	Clip	
10	SP529206	Screw	4x11
11	SP528313	Cable Holder	
12	SP555504	Bolt	
13	SP309933000620	Bolt	M6x20
14	SP311679824006	Washer	6
15	SP311125240006	Washer	6
16	SP309933100625	Bolt	M6x25
17	SP526497	Screw	4x12
18	345000165034	Cable Eye	
19	SP311125100006	Washer	6
20	SP310934100006	Nut	M6
21	570381	Hex Pillar	M3; Through 1 September 2021
22	SP505430	Washer	5
23	309084000535	Bolt	M5x35
24	SPPRI505000058	Profiled Sealing	0.025m; Models through 6 Feb 2023
25	SPPRI505000058	Profiled Sealing	0.105m; Models through 6 Feb 2023
26	SP309933240412	Bolt	M4x12

Rear Panel - CE Models - 400-440V (Drawing 1 of 2)

AF, IY, JY and NY models with V in the 7th position of the model number

All models with G in 7th position of the model number



CZW629P_D2409

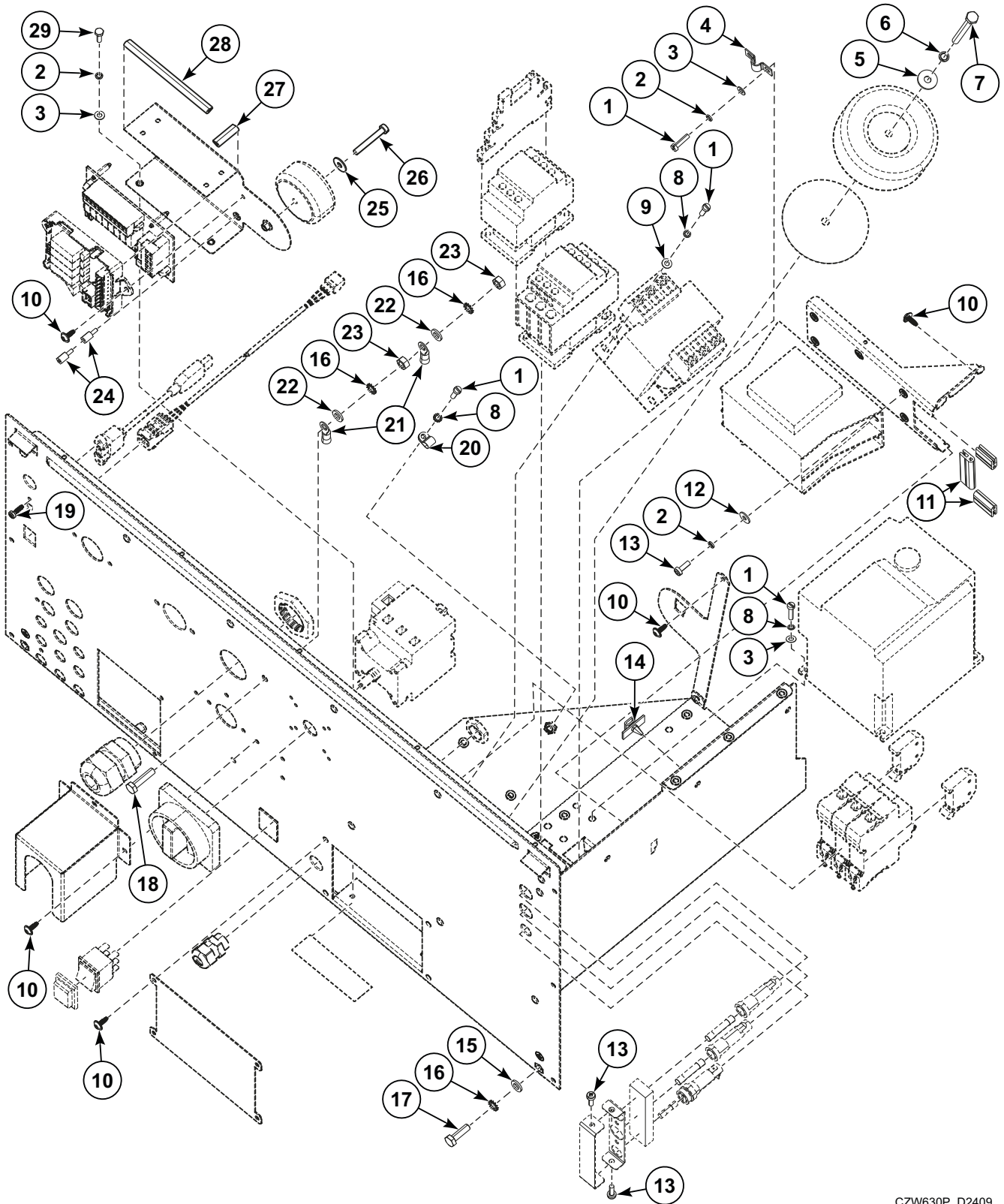
Rear Panel - CE Models - 400-440V (Drawing 1 of 2)

REF	PART NO.	DESCRIPTION	COMMENTS
	570316	Liquid detergents	Assembly, includes items: (drawing 1 of 2): 20, 21, 22, 34, 35, 37; 569737 Pump Relay Board Flat Cable and items from (drawing 2 of 2): 2, 3 and 25-29
1	SP552468	Relay	2 poles; Used with drain pump
2	SP514038	Contactors	LC1-D09M7; Used with frequency inverter
3	SP514038	Contactors	LC1-D09M7; Electric heating; 6kW, 9kW, 12kW 400V / 440V
	SP514042	Contactors	LC1D18M7; Electric heating 9kW 230V
	SPPRI345002019	Contactors	LC1D3201; Electric heating 12kW, 13.8kW, 230V
4	SP516648	Transformer	
5	571454	DC Choke	9.7mH; Supply 230V / 400V / 440V / 400V+N
6	571458	Insulation Washer	
7	572126	Filter Holder	Used with SP313251002104 Nut
8	SP557932	Frequency Inverter Filter	3x400V
9	571474	Frequency Inverter	1.5kW; 400V / 440V; FR-D740-036-SC-E8
	557961	Ferrite Core	Used with frequency inverter
10	SP346000209101	End Stop	
11	571462	Circuit Breaker	
12	SPPRI401003020	Fuse Housing	2 pieces
13	SPPRI401001020	Fuse Holder	
14	SP345805005020	Fuse	Without Neutral
15	570387	Self-Adhesive Profile	
16	SP554310	Fuse Holder	
17	SP345805163032	Fuse	6.3x32mm, T1A/500V; 2 pieces
18	SP554311	Fuse Cover	
19	566549	Cover	
20	570371	Label	Models with Transformer
	579019	Label	Models without Transformer
21	SP101406	Bushing	M16
22	SP101416	Nut	M16
23	SP100388	Switch	
24	SPPRI543000003	Push Bottom Cover	
25	SPPRI404000095	Main Switch Knob	
26	582259	Cover	
27	SP101409	Bushing	M32x1.5
28	SPPRI404000097	Main Switch	25A
	SPPRI404000098	Main Switch	32A
	SPPRI404000099	Main Switch	63A
29	SP506407	Main Switch	25A; Fourth pole
	SPPRI404001098	Main Switch	32A; Fourth pole
	SPPRI404001099	Main Switch	63A; Fourth pole
30	SP101419	Nut	M32
31	569591	Rear Panel	
32	SP547006	USB Cable	Rear panel connection; Optional
33	SP545234	Cable	RS485; With connectors
34	570382	Holder	
35	564561	Transformer	Transformer for Liquid Products
	579014	Transformer Kit	AF, IY, JY and NY models with V in 7th position of the model number; Transformer for Liquid Products
	577554	Transformer Kit	Models with G in 7th position of the model number; Transformer for Liquid Products
36	804528	Soap Relay Board	Models with G in 7th position of the model number; used with F8715501 Extension Board Connection, 2.08m long
37	553187	Soap Relay Board	AF, IY, JY and NY models with V in 7th position of the model number; Used with 569737 Pump Relay Board Flat Cable; 2m long
	582964	External Block Cabel Kit	AF, IY, JY and NY models with V in 7th position of the model number; blocking the external signal

Rear Panel - CE Models - 400-440V (Drawing 2 of 2)

AF, IY, JY and NY models with V in the 7th position of the model number

All models with G in 7th position of the model number



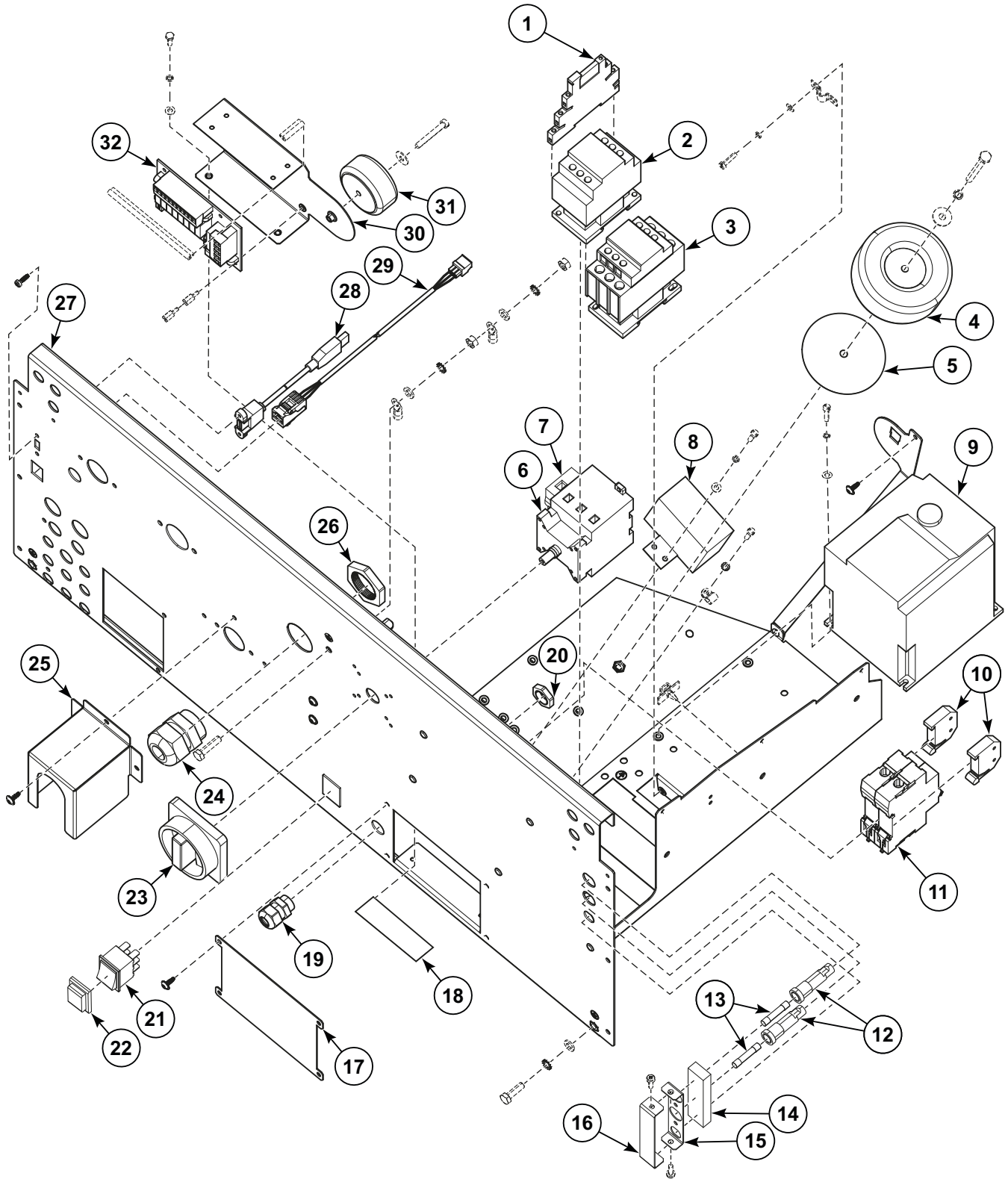
CZW630P_D2409

Rear Panel - CE Models - 400-440V (Drawing 2 of 2)

REF	PART NO.	DESCRIPTION	COMMENTS
1	SP309084000416	Bolt	M4x16
2	SP311127000004	Washer	4
3	SP311125000004	Washer	4.3
4	SP528392	Cable Clamp	
5	SP311902100006	Washer	6
6	SP311127000006	Washer	6
7	SP309933000660	Bolt	M6x60
8	SP311679800004	Washer	M4
9	SP311125000004	Washer	4.3
10	SP529206	Screw	4x11
11	SP529068	Edge Protection	
12	SP311902100004	Washer	4
13	SP555504	Bolt	M4x12
14	SP528313	Cable Holder	
15	SP311125240006	Washer	6
16	SP311679824006	Washer	6
17	SP309933000620	Bolt	M6x20
18	SP309933100625	Bolt	M6x25
19	SP526497	Screw	4x12
20	SP502214	Clip	
21	345000165034	Cable Eye	
22	SP311125100006	Washer	6
23	SP310934100006	Nut	M6
24	570381	Hex Pillar	M3; Through 1 September 2021
25	SP505430	Washer	5
26	309084000535	Bolt	M5x35
27	SPPRI505000058	Profiled Sealing	0.025m; Models through 6 Feb 2023
28	SPPRI505000058	Profiled Sealing	0.105m; Models through 6 Feb 2023
29	SP309933240412	Bolt	M4x12

Rear Panel - 230V / 400V with Neutral (Drawing 1 of 2)

FX and PY models with V in 7th position of the model number



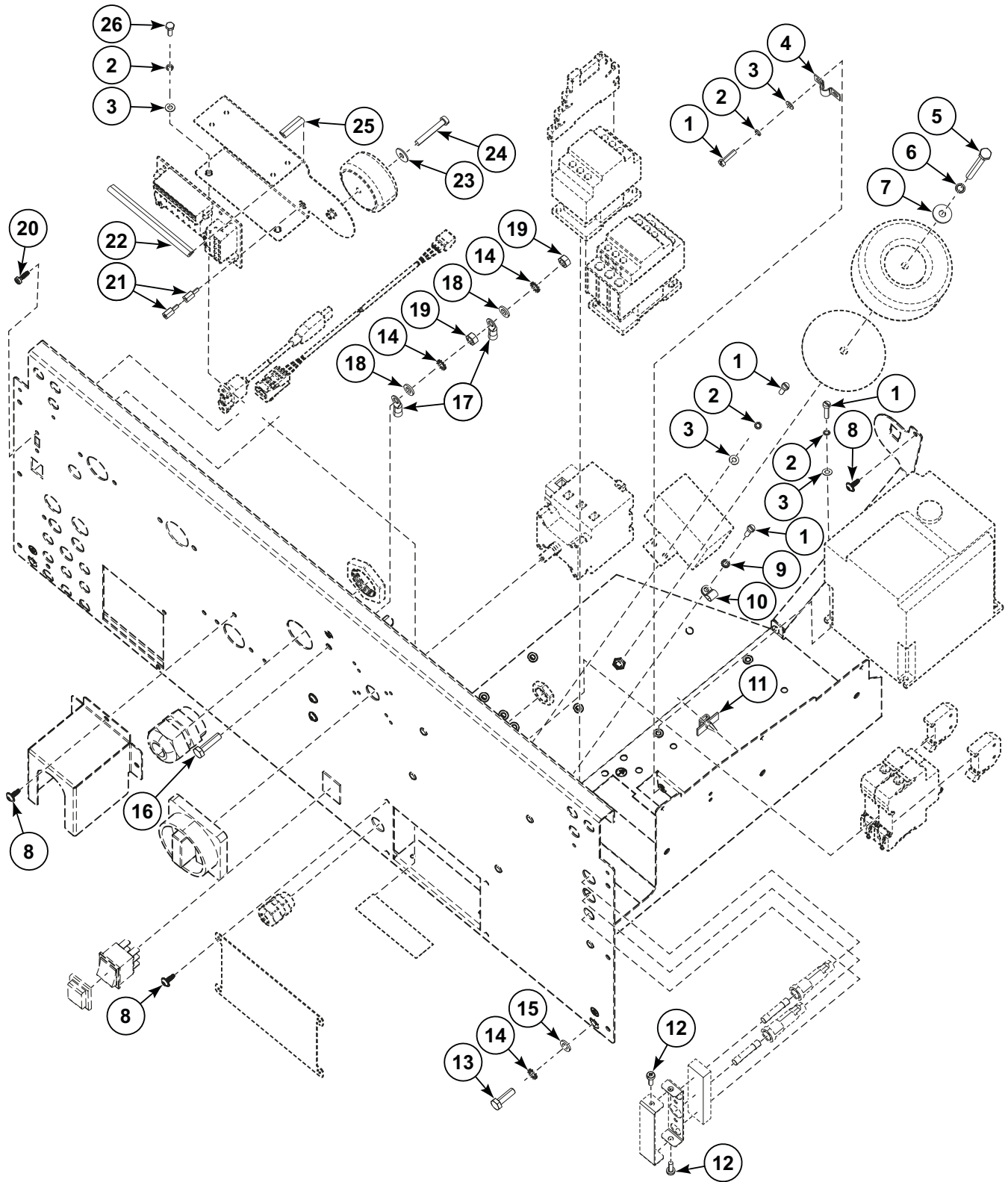
CZW608P_D2410

Rear Panel - 230V / 400V with Neutral (Drawing 1 of 2)

REF	PART NO.	DESCRIPTION	COMMENTS
	570316	Liquid detergents	Assembly, includes items: (drawing 1 of 2): 18, 19, 20, 30-32, 569737 Pump Relay Board Flat Cable and items from (drawing 2 of 2): 2, 3 and 21-26
1	SP552468	Relay	2 poles; Used with drain pump
2	SP514038	Contactors	LC1-D09M7; Used with frequency inverter
3	SP514038	Contactors	LC1-D09M7; Electric heating; 6kW, 9kW, 12kW 400V / 440V
	SP514042	Contactors	LC1D18M7; Electric heating 9kW 230V
4	571454	DC Choke	9.7mH; Supply 230V, 400V / 400V+N / 440V
5	571458	Insulation Washer	
6	SPPRI404000097	Main Switch	25A; Used with SP506407 Main Switch Fourth Pole 25A
	SPPRI404000098	Main Switch	32A; Used with SPPRI404001098 Main Switch Fourth Pole 32A
	SPPRI404000099	Main Switch	63A; Used with SPPRI404001099 Main Switch Fourth Pole 63A
7	SP506407	Main Switch	25A; Fourth pole; Applicable for 400V+N
	SPPRI404001098	Main Switch	32A; Fourth pole; Applicable for 400V+N
	SPPRI404001099	Main Switch	63A; Fourth pole; Applicable for 400V+N
8	568380	Filter	20A / 250V
9	571471	Frequency Inverter	FR-D720S-042-SC-E8; 0.75kW; 230V / 400V+N
	557961	Ferrite Core	Used with frequency inverter
10	SP346000209101	End Stop	
11	571462	Circuit Breaker	
12	SPPRI401003020	Fuse Housing	Includes 1 piece, 2 pieces required
13	SP345805163032	Fuse	6.3x32mm, T1A/500V; Includes 1 piece, 2 pieces required
14	570387	Self-Adhesive Profile	
15	SP554310	Fuse Holder	
16	SP554311	Fuse Cover	
17	566549	Cover	
18	570371	Label	Models with Transformer
	579019	Label	Models without Transformer
19	SP101406	Bushing	M16
20	SP101416	Nut	M16
21	SP100388	Switch	
22	SPPRI543000003	Push Bottom Cover	
23	SPPRI404000095	Main Switch Knob	
24	SP101409	Bushing	M32x1.5
25	582259	Cover	
26	SP101419	Nut	M32
27	572521	Rear Panel	
28	SP547006	USB Cable	Rear panel connection; Optional
29	SP545234	Cable	RS485; With connectors
30	570382	Holder	
31	564561	Transformer	Transformer for Liquid Products
	579014	Transformer Kit	Transformer for Liquid Products
32	553187	Soap Relay Board	Used with 569737 Pump Relay Board Flat Cable, 2m long
	582964	External Block Cabel Kit	blocking the external signal

Rear Panel - 230V / 400V with Neutral (Drawing 2 of 2)

FX and PY models with V in 7th position of the model number



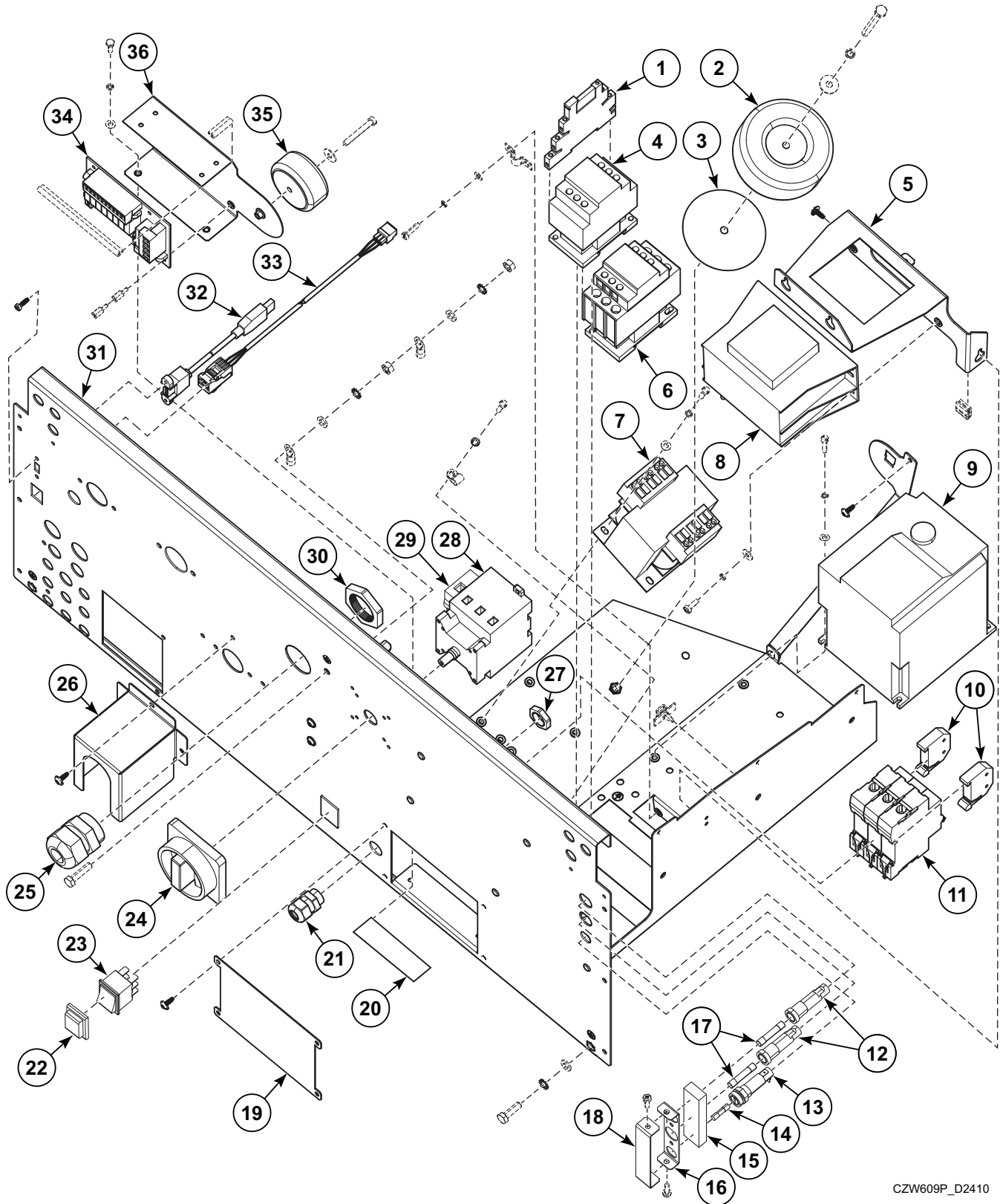
CZW614P_D2410

Rear Panel - 230V / 400V with Neutral (Drawing 2 of 2)

REF	PART NO.	DESCRIPTION	COMMENTS
1	SP309084000416	Bolt	M4x16
2	SP311127000004	Washer	4
3	SP311125000004	Washer	4.3
4	SP528392	Cable Clamp	
5	SP309933000660	Bolt	M6x60
6	SP311127000006	Washer	6
7	SP311902100006	Washer	6
8	SP529206	Screw	4x11
9	SP311679800004	Washer	M4
10	SP502214	Clip	
11	SP528313	Cable Holder	
12	SP555504	Bolt	
13	SP309933000620	Bolt	M6x20
14	SP311679824006	Washer	6
15	SP311125240006	Washer	6
16	SP309933100625	Bolt	M6x25
17	345000165034	Cable Eye	
18	SP311125100006	Washer	6
19	SP310934100006	Nut	M6
20	SP526497	Screw	4x12
21	570381	Hex Pillar	M3; models through 1 September 2021
22	SPPRI505000058	Profiled Sealing	0.105; models through 6 February 2023
23	SP505430	Washer	5
24	309084000535	Bolt	M5x35
25	SPPRI505000058	Profiled Sealing	0.025m; models through 6 February 2023
26	SP309933240412	Bolt	M4x12

Rear Panel - 400V / 440V-480V (Drawing 1 of 2)

FX and PY models with V in 7th position of the model number



CZW609P_D2410

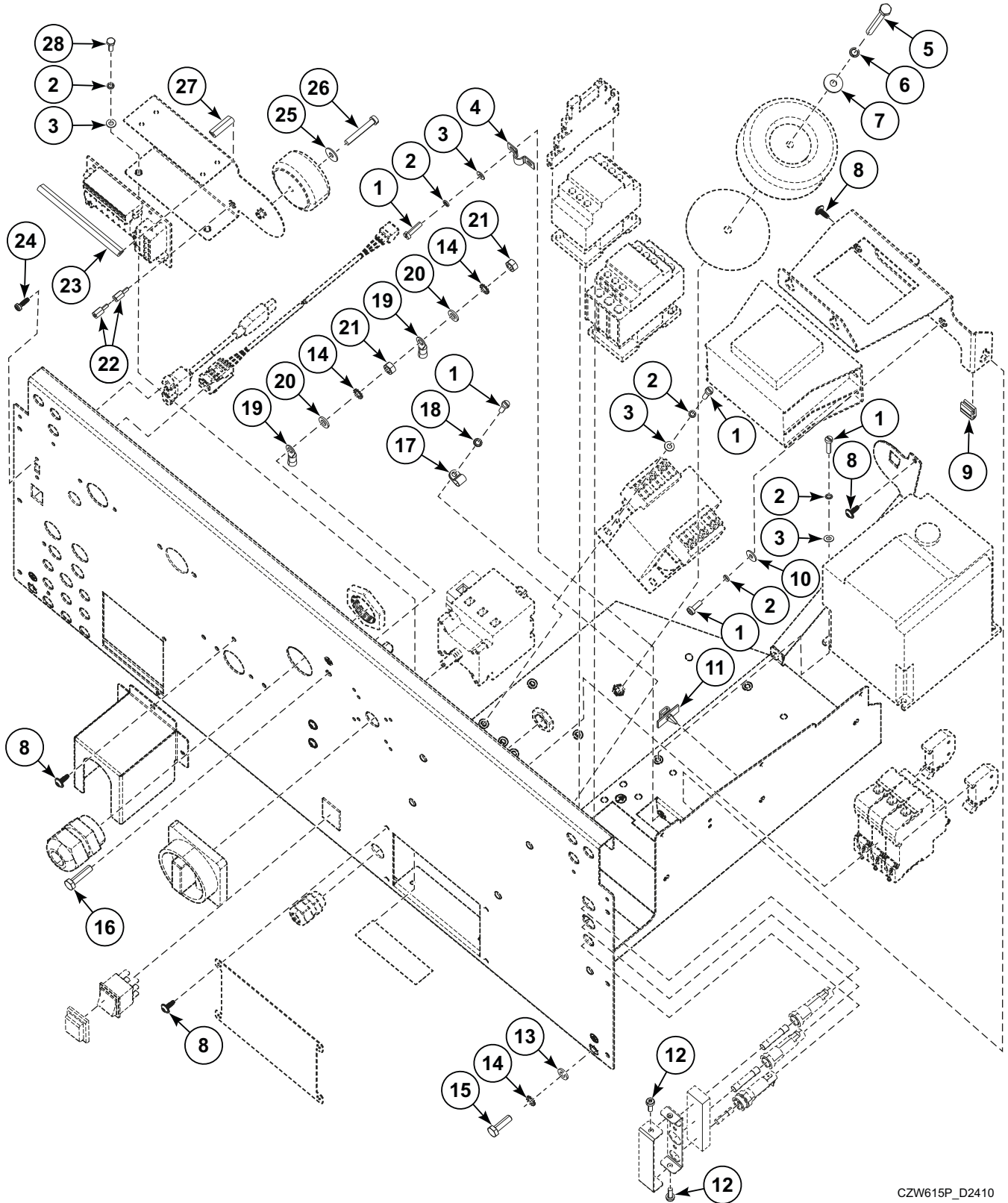
Rear Panel - 400V / 440V-480V (Drawing 1 of 2)

REF	PART NO.	DESCRIPTION	COMMENTS
	570316	Liquid detergents	Assembly, includes items: (drawing 1 of 2): 20, 21, 27, 34-36, 569737 Pump Relay Board Flat Cable and items from (drawing 2 of 2): 2, 3, 22, 23 and 25-28
1	SP552468	Relay	2 poles; Used with drain pump
2	571454	DC Choke	9.7mH; Supply 400V / 440V
3	571458	Insulation Washer	
4	SP514038	Contactors	LC1-D09M7; Used with frequency inverter
5	574850	Filter Holder	Used with SP313251002104 Nut
6	SP514038	Contactors	LC1-D09M7; Electric heating; 6kW, 9kW, 12kW 400V / 440V
	SP514042	Contactors	LC1D18M7; Electric heating 9kW 230V
7	SP516648	Transformer	
8	SP557932	Frequency Inverter Filter	3x400V
9	571474	Frequency Inverter	1.5kW; 400V / 440V; FR-D740-036-SC-E8
	557961	Ferrite Core	Used with frequency inverter
10	SP346000209101	End Stop	
11	571464	Circuit Breaker	
12	SPPRI401003020	Fuse Housing	2 pieces
13	SPPRI1401001020	Fuse Holder	
14	SP345805005020	Fuse	Without Neutral
15	570387	Self-Adhesive Profile	
16	SP554310	Fuse Holder	
17	SP345805163032	Fuse	6.3x32mm, T1A/500V; 2 pieces
18	SP554311	Fuse Cover	
19	566549	Cover	
20	570371	Label	Models with Transformer
	579019	Label	Models without Transformer
21	SP101406	Bushing	M16
22	SPPRI543000003	Push Bottom Cover	
23	SP100388	Switch	
24	SPPRI404000095	Main Switch Knob	
25	SP101409	Bushing	M32x1.5
26	582259	Cover	
27	SP101416	Nut	M16
28	SPPRI404000097	Main Switch	25A
	SPPRI404000098	Main Switch	32A
	SPPRI404000099	Main Switch	63A
29	N/A	Main Switch	25A; Fourth pole
	N/A	Main Switch	32A; Fourth pole
	N/A	Main Switch	63A; Fourth pole
30	SP101419	Nut	M32
31	572521	Rear Panel	
32	SP547006	USB Cable	Rear panel connection; Optional
33	SP545234	Cable	RS485; With connectors
34	553187	Soap Relay Board	Used with 569737 Pump Relay Board Flat Cable
	582964	External Block Cabel Kit	blocking the external signal
35	564561	Transformer	Transformer for Liquid Products
	579014	Transformer Kit	Transformer for Liquid Products
36	570382	Holder	

N/A = Part no longer available

Rear Panel - 400V / 440V-480V (Drawing 2 of 2)

FX and PY models with V in 7th position of the model number



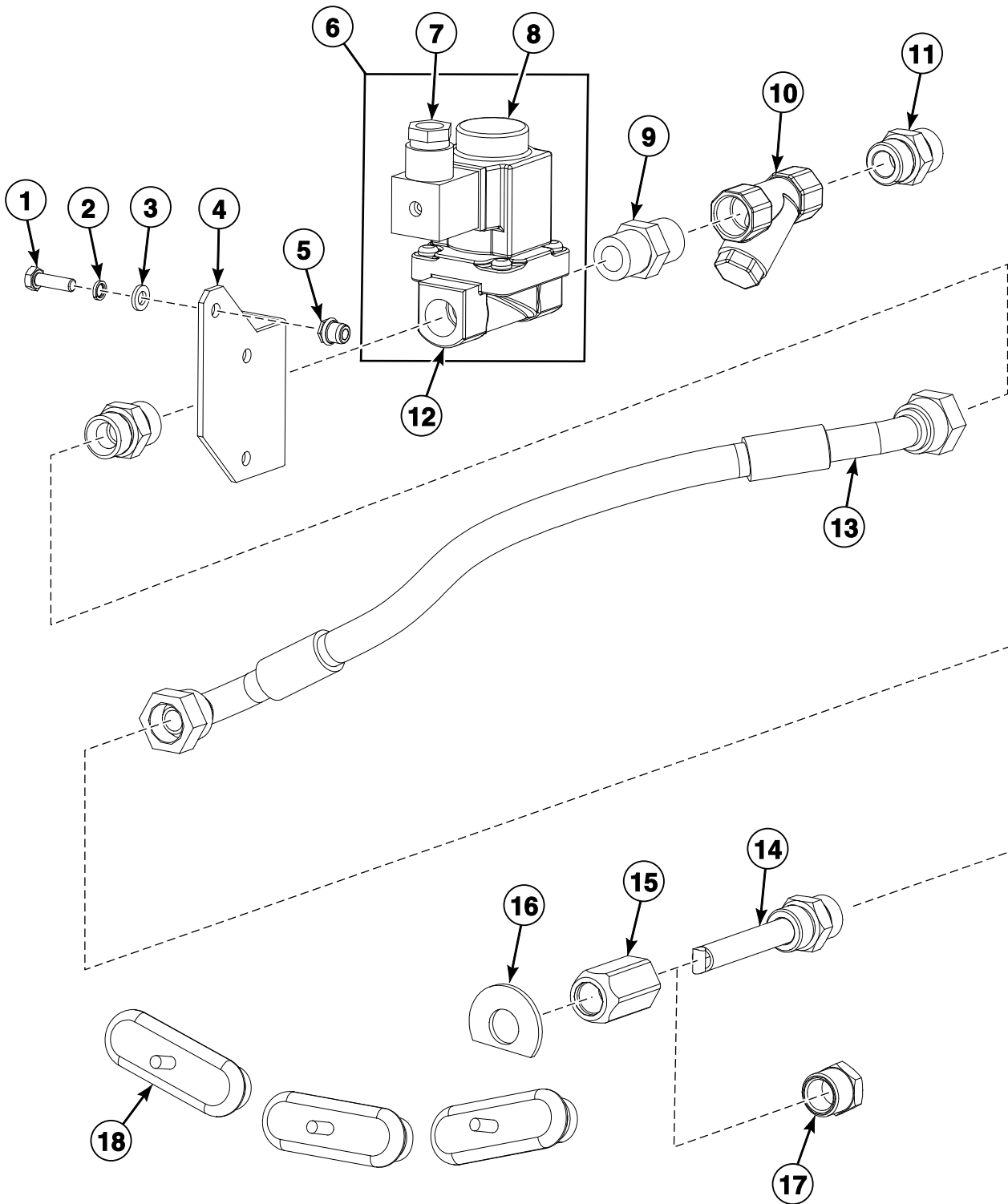
CZW615P_D2410

Rear Panel - 400V / 440V-480V (Drawing 2 of 2)

REF	PART NO.	DESCRIPTION	COMMENTS
1	SP309084000416	Bolt	M4x16
2	SP311127000004	Washer	4
3	SP311125000004	Washer	4.3
4	SP528392	Cable Clamp	
5	SP309933000660	Bolt	M6x60
6	SP311127000006	Washer	6
7	SP311902100006	Washer	6
8	SP529206	Screw	4x11
9	SP529068	Edge Protection	0.014m
10	SP311902100004	Washer	4
11	SP528313	Cable Holder	
12	SP555504	Bolt	M4x12
13	SP311125240006	Washer	6
14	SP311679824006	Washer	6
15	SP309933000620	Bolt	M6x20
16	SP309933100625	Bolt	M6x25
17	SP502214	Clip	
18	SP311679800004	Washer	M4
19	345000165034	Cable Eye	
20	SP311125100006	Washer	6
21	SP310934100006	Nut	M6
22	570381	Hex Pillar	M3; Models through 1 September 2021
23	SPPRI505000058	Profiled Sealing	0.105m; Models through 6 February 2023
24	SP526497	Screw	4x12
25	SP505430	Washer	5
26	309084000535	Bolt	M5x35
27	SPPRI505000058	Profiled Sealing	0.025m; Models through 6 February 2023
28	SP309933240412	Bolt	M4x12

Steam Heating

Models with A, D, F, I, J, R, T or X in 7th position of the model number



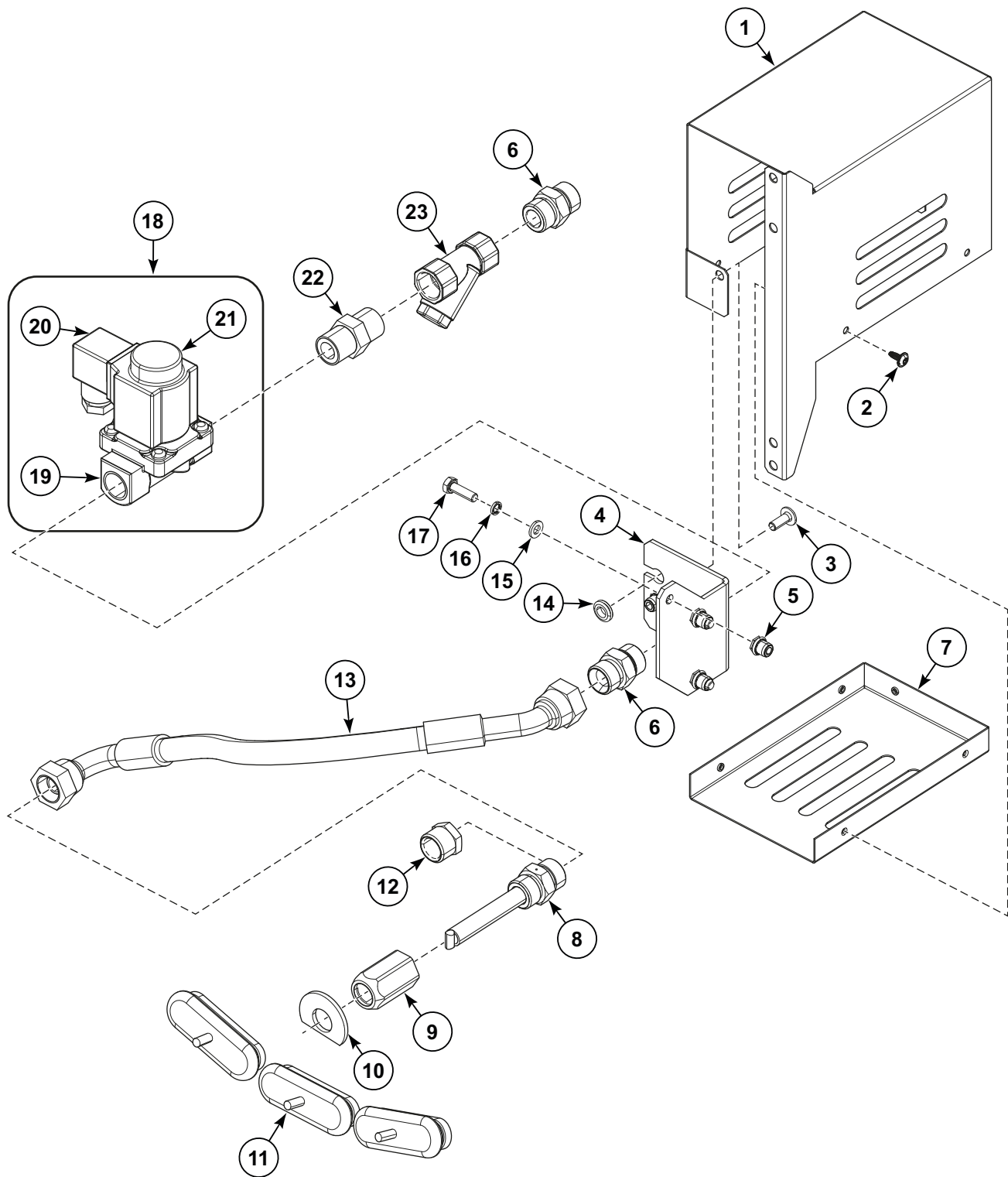
CFD2852P_D1617

Steam Heating

REF	PART NO.	DESCRIPTION	COMMENTS
	SP526564	Seal	
	SP101403	Adhesive	Loctite 5366
	SP245704000603	Adhesive	Loctite 603
	SP559312	Steam Kit	
1	SP309933000620	Bolt	M6x20
2	SP311127000006	Washer	6
3	SP311125000006	Washer	6.4
4	SP526521	Steam Valve Support	
5	SP313251000006	Nut	M6
6	SP514164	Steam Valve	1/2 inch
7	SP554156	Connector	
8	SP554110	Coil	50/60Hz
9	SP319428324012	Adapter	1/2 inch
10	SP405054120215	Steam Filter	1/2 inch
11	SPR22112000114	Pipe Nipple	1/2 inch
12	SP514165	Steam Valve Body	
13	SP526522	Steam Hose	1/2 inch l=465mm
14	SP526525	Steam Injector	
15	SP547968	Adapter	G3/8 inch / G1/2 inch
16	SP547981	Washer	
17	SPPRI426001268	Plug	1/2 inch; Prep for electric and steam heat
18	SPPRI342001016	Heating Element Hole Plug	

Steam Heating

Models with G or V in 7th position of the model number



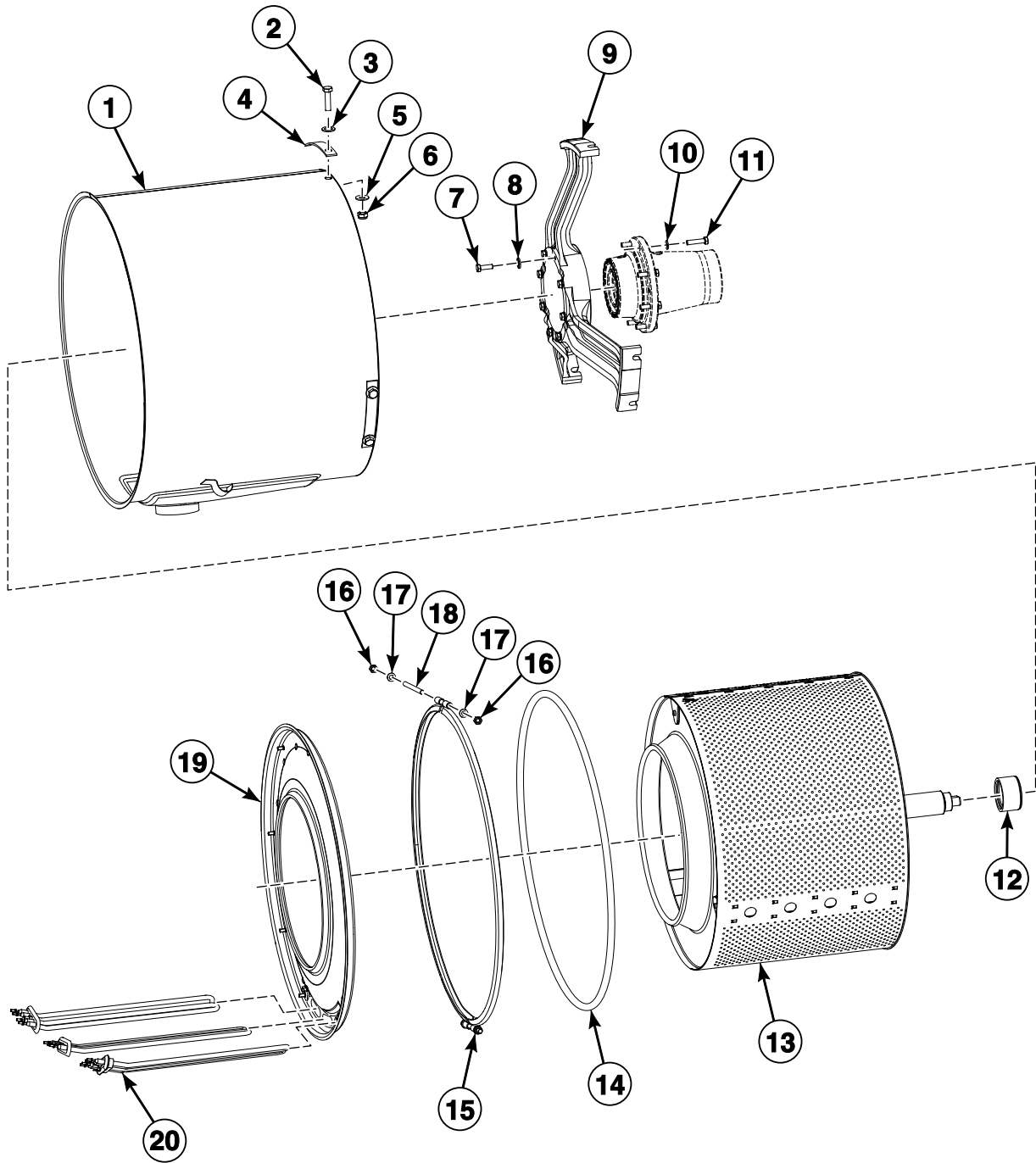
CZW598P_D2409

Steam Heating

REF	PART NO.	DESCRIPTION	COMMENTS
	555351	Steam Kit	
	SP101403	Adhesive	Loctite 5366
	SP245704000603	Adhesive	Loctite 603
1	582255	Steam Valve Cover	
2	SP529206	Screw	4x11
3	SP555658	Bolt	M6x16
4	SP526521	Steam Valve Support	
5	SP313251000006	Nut	M6
6	SPR22112000114	Pipe Nipple	1/2 inch
7	582256	Steam Valve Cover	
8	SP526525	Steam Injector	
9	SP547968	Adapter	G3/8 inch / G1/2 inch
10	SP547981	Washer	
11	SPPRI342001016	Heating Element Hole Plug	
12	SPPRI426001268	Plug	1/2 inch; Prep for electric and steam heat
13	SP526522	Steam Hose	1/2 inch, l=520mm
14	SP273121008002	Cable Bushing	
15	SP311125000006	Washer	6
16	SP311127000006	Washer	6
17	SP309933000620	Bolt	M6x20
18	SP514164	Steam Valve	1/2 inch
19	SP514165	Steam Valve Body	
20	SP554156	Connector	
21	SP554110	Coil	50/60Hz
22	SP319428324012	Adapter	1/2 inch
23	SP405054120215	Steam Filter	1/2 inch

Washing Drum and Tub

Models with A, D, F, I, J, R, T or X in 7th position of the model number



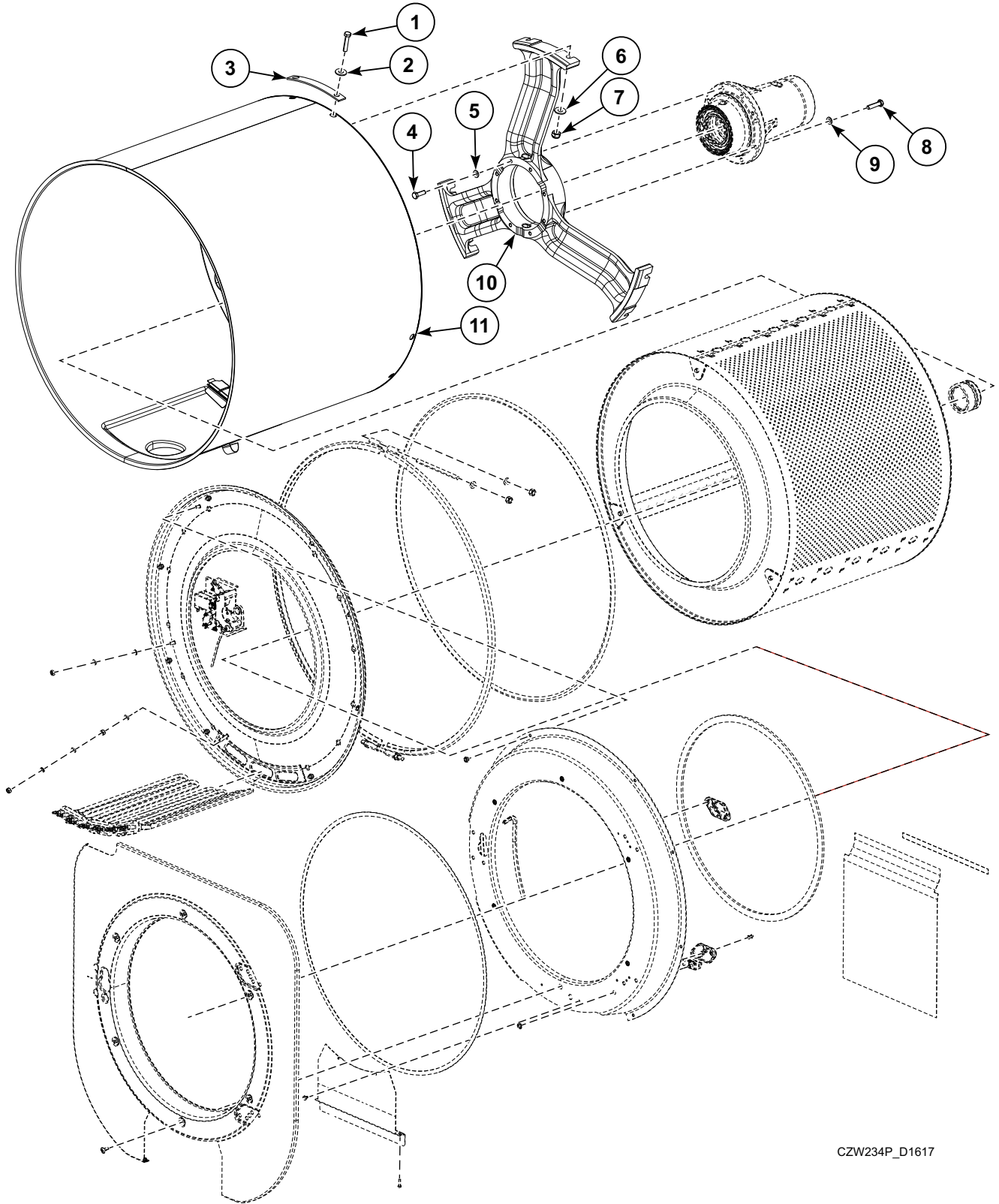
CFD2742P_D1617

Washing Drum and Tub

REF	PART NO.	DESCRIPTION	COMMENTS
	SP245704003021	Adhesive	Loctite 243; Used with bolt
	SPPRI704000053	Sealant	
	SP245704000050	Adhesive	
	SP510889	Anticorrosive Agent	
1	SP537891	External Tub	Steam heating
	SP537923	External Tub	Electric heating
2	SP527420	Bolt	M10x40
3	SP311737000010	Washer	M10
4	SP537897	Washer	
5	SP311737000010	Washer	M10
6	SP310985000010	Nut	M10
7	SP309933240825	Bolt	M8x25
8	SP311125240008	Washer	M8; Models Through 19 December 2022
9	SP537861	Cross Piece	
10	SP311125000008	Washer	M8
11	SP309933000835	Bolt	M8x35
12	SP537843	Shaft Ring	
13	563263P	Washing Drum	AF, IY and NY models with G, H, J or K in 13th position of the model number; Includes SP537843 Shaft Ring; Flat
	537886P	Washing Drum	Includes SP537843 Shaft Ring; Cascade
14	SP537719	Seal	d10-1800mm
15	SP537717	Clamp	Includes 1 piece, 2 pieces required
16	SP310934240008	Nut	M8
17	SP311125240008	Washer	M8
18	SPF02119000415	Bolt	M8
19	SP537722	External Tub Front Plate	
20	SP540143	Heating Element	2000W, l=325mm
	SP540144	Heating Element	3000W, l=325mm
	SP540145	Heating Element	2x1500kW, l=325mm
	SP540142	Heating Element	2x2300W, l=325mm

Washing Drum and Tub (Drawing 1 of 2)

Models with G or V in 7th position of the model number



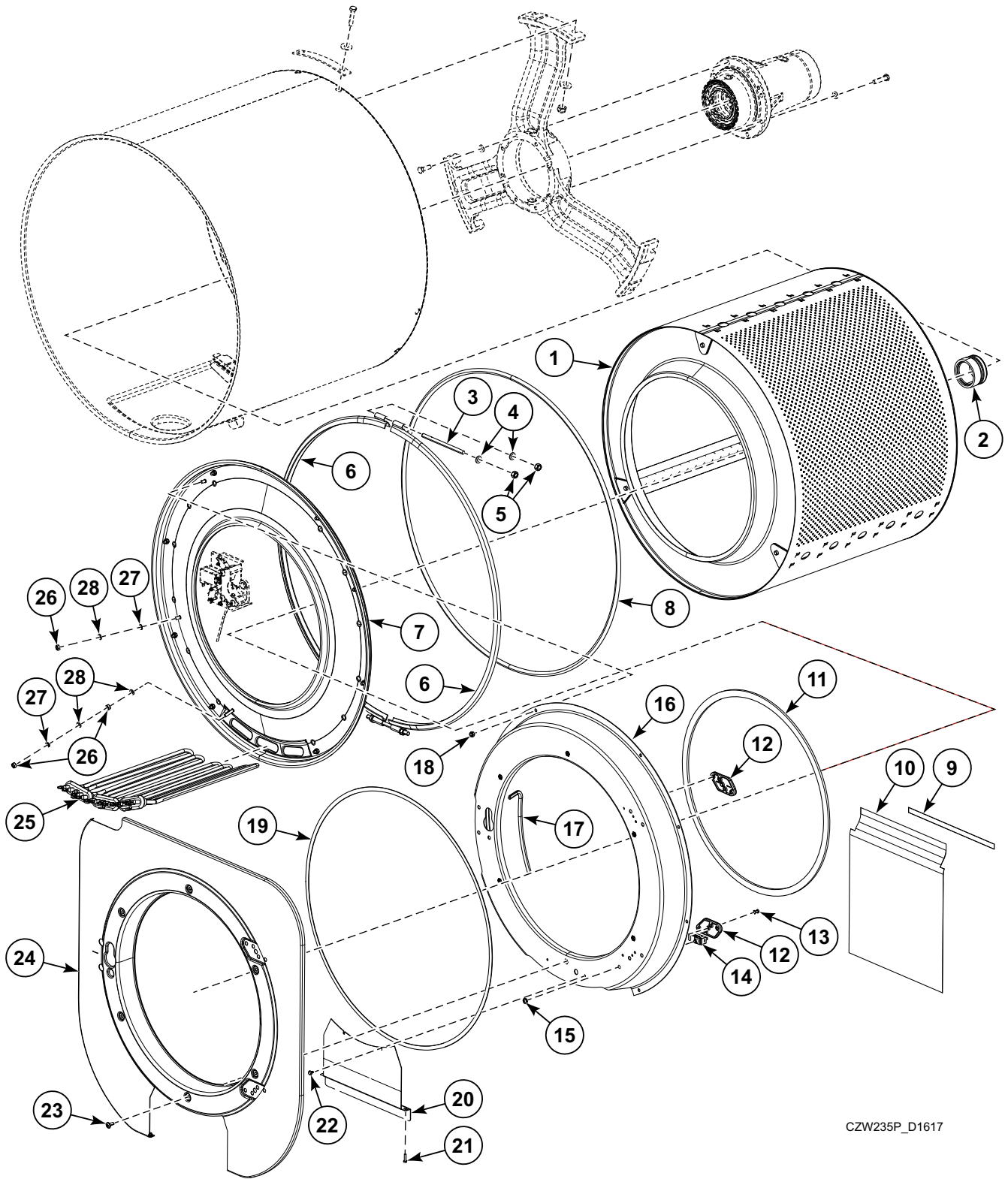
CZW234P_D1617

Washing Drum and Tub (Drawing 1 of 2)

REF	PART NO.	DESCRIPTION	COMMENTS
1	SP527420	Bolt	M10x40
2	SP311125000010	Washer	M10
3	SP537897	Washer	
4	SP309933240825	Bolt	M8x25
5	SP311125240008	Washer	8; Models Through 19 December 2022
6	SP311737000010	Washer	M10
7	SP310985000010	Nut	M10
8	SP309933000835	Bolt	M8x35
9	SP311125000008	Washer	8
10	SP537861	Cross Piece	
11	SP537891	External Tub	Steam heating
	SP537923	External Tub	Electric heating

Washing Drum and Tub (Drawing 2 of 2)

Models with G or V in 7th position of the model number

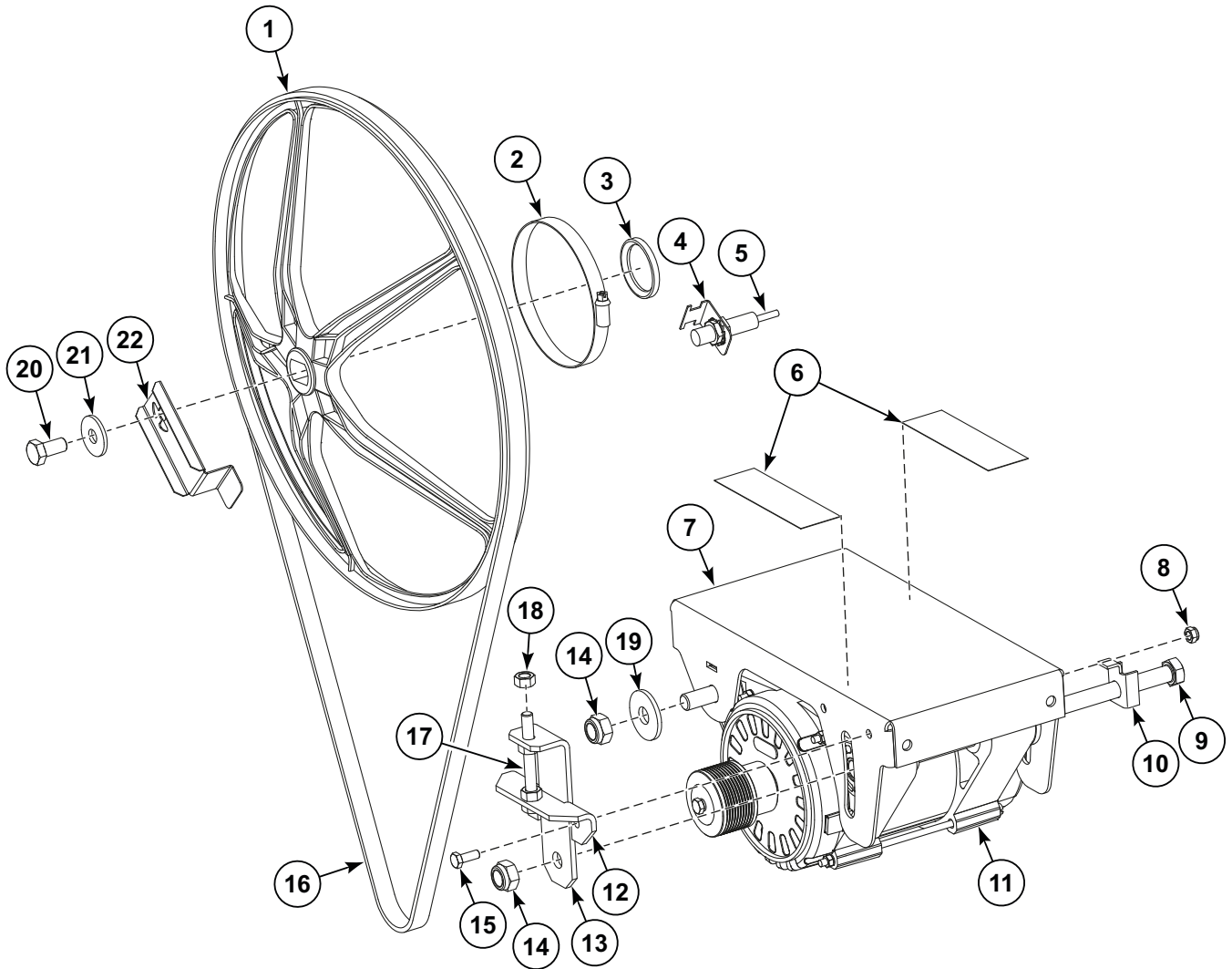


CZW235P_D1617

Washing Drum and Tub (Drawing 2 of 2)

REF	PART NO.	DESCRIPTION	COMMENTS
1	537886P	Washing Drum	Includes SP537843 Shaft Ring; Cascade
	563263P	Washing Drum	IYmodels with V in 7th position of the model number; Models with G in 7th position of the model number; Includes SP537843 Shaft Ring; Flat
2	SP537843	Shaft Ring	
3	SPF02119000415	Bolt	M8
4	SP311125240008	Washer	M8
5	SP310934240008	Nut	M8
6	SP537717	Clamp	Includes 1 piece, 2 pieces required
7	SP571606	External Tub Front Plate	
8	SP537719	Seal	d10-1800mm
9	SP537896	Adhesive	
10	568929	Heating Element Cover	
11	SP522450	Profile	l=1.2m
12	SP537849	Hinge Spacer	
13	SP547779	Rivet	4x16.7
14	571634	Microswitch	Models through Serial No. 65FX015194SH
15	571635	Nut	M10; Models through Serial No. 65FX015194SH
16	568887	Door Lock Holder	Models through Serial No. 65FX015194SH
	SP537852	Door Lock Holder	Models starting Serial No. 65FX015195SH
17	SPPRI505000058	Profiled Sealing	l=0.25m
18	SP310985000006	Nut	M8
19	SP284000012003	Tape	l=1.56m
20	568985	Heating Element Front Cover	Stainless
	SP563273	Heating Element Front Cover	Black
21	SP309084000416	Bolt	M4x16
22	SP537856	Connector	
23	SP537854	Bolt	M6x14
24	568998	Front Panel	Stainless; Models through Serial No. 65FX015194SH
	571724	Front Panel	Stainless; Models starting Serial No. 65FX015195SH
	568975	Front Panel	Black; Models through Serial No. 65FX015194SH
	571721	Front Panel	Black; Models starting Serial No. 65FX015195SH
25	SP540144	Heating Element	3000W, l=325mm
	SP540143	Heating Element	2000W, l=325mm
	SP540145	Heating Element	2x1500W, l=325mm
	SP540142	Heating Element	2x2300kW, l=325mm
26	SP310934240006	Nut	M6
27	SP311679800006	Washer	6
28	SP311125240006	Washer	6

Drive



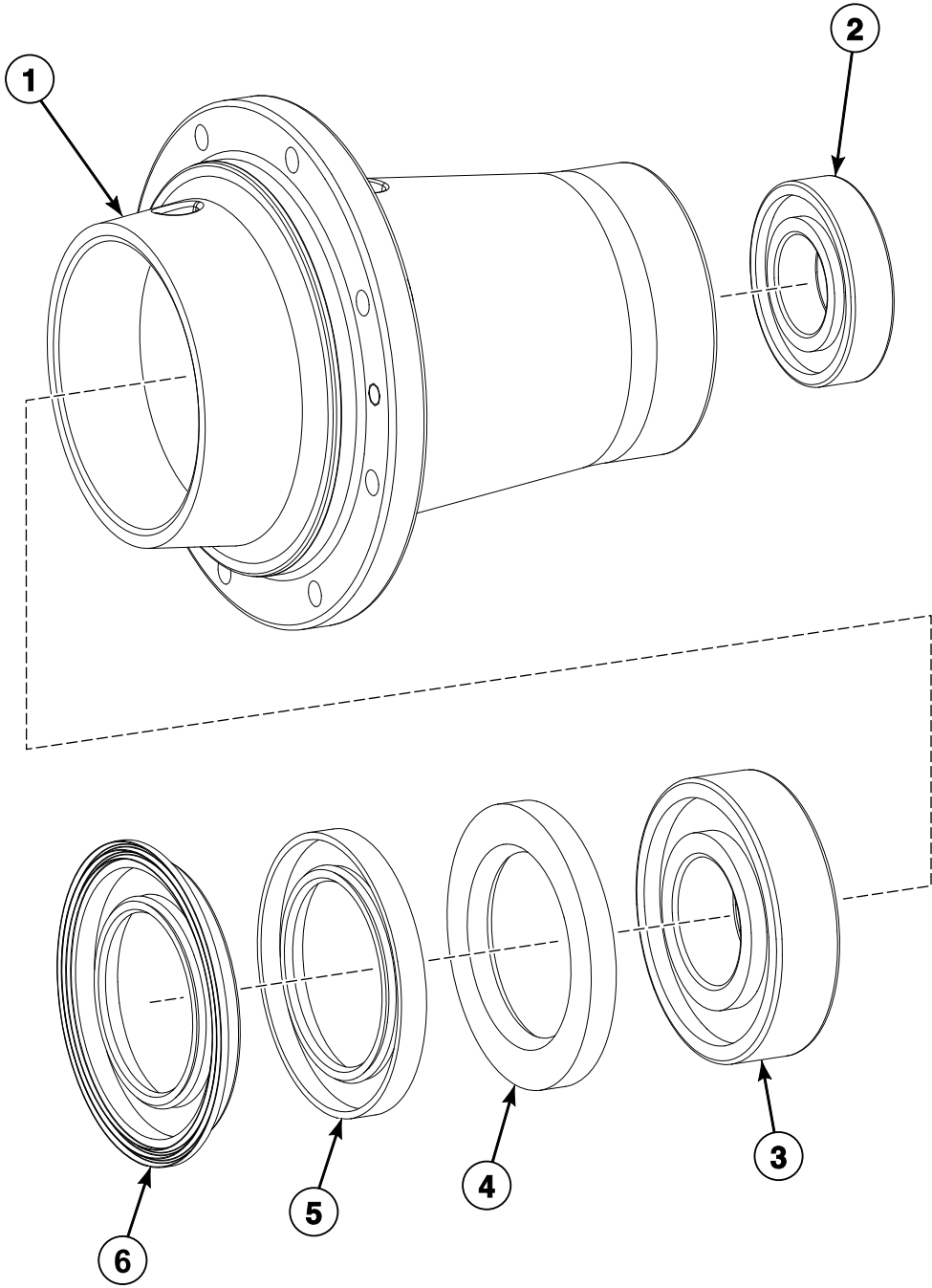
CZW626P_D2409

Drive

REF	PART NO.	DESCRIPTION	COMMENTS
1	SP556166	Drum V-Pulley	
2	SPPRI240000005	Hose Clamp	
3	N/A	Pulley Ring	
4	SP555547	Speed Sensor Holder	
5	SP557701	Speed Sensor	
6	N/A	Motor Cover	
7	SP533741	Motor Holder	
8	SP310985000006	Nut	M6
9	SP533392	Bolt	M12x180
10	SP533742	Cage	1
11	SP555580	Motor and Pulley	Models with A, D, F, I, J, R, T or X in 7th position of the model number; 0.75kW, 230V/75Hz; Includes SP528421 Motor; Applicable for power supply 200V-240V, 50/60Hz, 1/3ph and 380-415V+N, 50/60Hz, 3ph
	SP555583	Motor and Pulley	Models with A, D, F, I, J, R, T or X in 7th position of the model number; 0.75kW, 400V/76Hz; Includes SP552411 Motor; Applicable for power supply 400V, 50/60Hz, 3ph without Neutral and 440-480V, 50/60Hz, 3ph
	571443	Motor and Pulley	Models with G or V in 7th position of the model number; 0.75kW, 230V/75Hz; Includes 568371 Motor; Applicable for power supply 200V-240V, 50/60Hz, 1/3ph and 380-415V+N, 50/60Hz, 3ph
	571444	Motor and Pulley	Models with G or V in 7th position of the model number; 0.75kW, 400V/76Hz; CE; Includes 568381 Motor; Applicable for power supply 400V, 50/60Hz, 3ph without Neutral and 440-480V, 50/60Hz, 3ph
12	SP533326	Tensioning Angle Piece	Fixed
13	SP533327	Tensioning Angle Piece	Movable
14	SP310985000012	Nut	M12
15	SP309933000616	Bolt	M6x16
16	SP528925	Belt	
17	SP309933000870	Bolt	M8x70
18	SP310934000008	Nut	M8
19	SP311902100012	Washer	12
20	SP309933001020	Bolt	M10x20
21	SP311902100010	Washer	
22	581680	Speed Sensor Plate	

N/A = Part no longer available

Bearing Housing

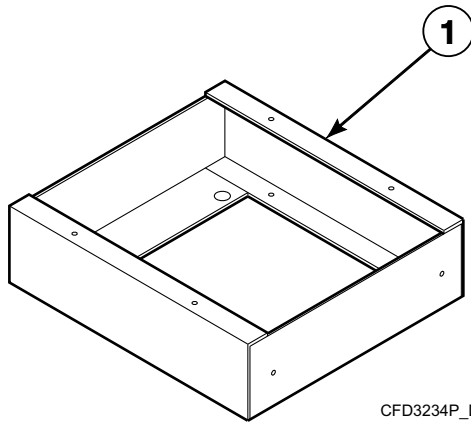


CZW564P_D2410

Bearing Housing

REF	PART NO.	DESCRIPTION	COMMENTS
	SP245704000603	Adhesive	Loctite 603
	SP111313000002	Lubrication Grease	
	SP537862	Bearing Housing	
	SP538787	Bearing Replacement Tool Kit	
1	SP537860	Bearing Housing	
2	SPPRI608000002	Bearing	6207
3	582252	Bearing	6309-2RS1 / C3wt
4	582325	Sealing Ring	65x100x10; without spring
5	SP525813	Sealing Ring	65x100x10; with spring
6	SP537848	Sealing Ring	65x100/114x9/12

Elevated Base Frame



CFD3234P_D1617

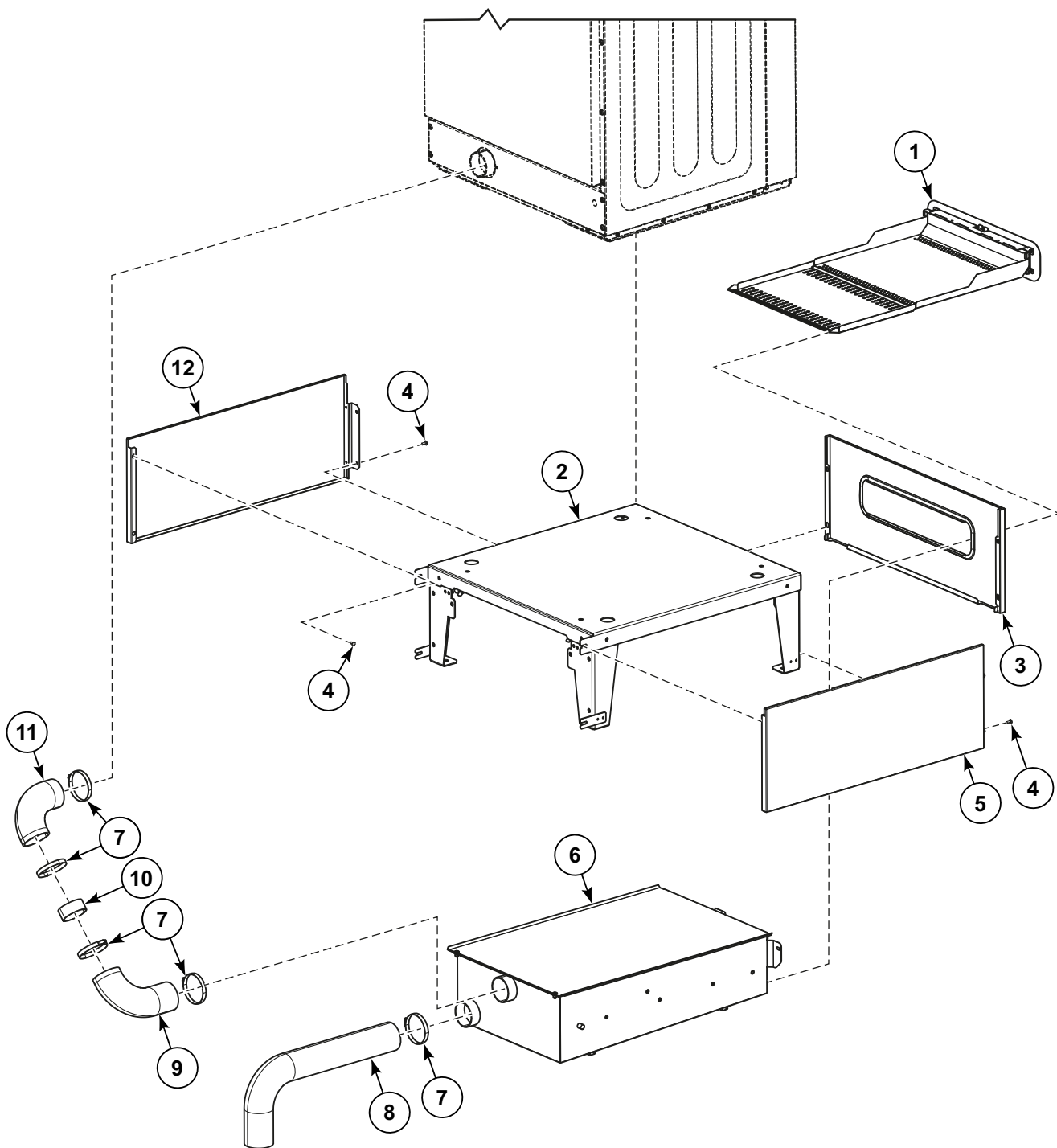
Elevated Base Frame

REF	PART NO.	DESCRIPTION	COMMENTS
1	SP550120	Elevated Base Frame	For mounting one machine; 135mm; Refer to NOTE*
	SP550135	Elevated Base Frame	For mounting two machines; 135mm; Refer to NOTE*
	SP550136	Elevated Base Frame	For mounting three machines; 135mm; Refer to NOTE*
	SP550137	Elevated Base Frame	For mounting four machines; 135mm; Refer to NOTE*
	SP550138	Elevated Base Frame	For mounting five machines; 135mm; Refer to NOTE*
	SP551901	Elevated Base Frame	For mounting one machine; 200mm; Refer to NOTE*
	SP551902	Elevated Base Frame	For mounting two machines; 200mm; Refer to NOTE*
	SP551903	Elevated Base Frame	For mounting three machines; 200mm; Refer to NOTE*
	SP551904	Elevated Base Frame	For mounting four machines; 200mm; Refer to NOTE*
	SP551905	Elevated Base Frame	For mounting five machines; 200mm; Refer to NOTE*

* NOTE: Part can only be ordered through the Equipment Order desk.

Base Frame with Built-In Filter

Models with A, D, F, I, J, R, T, V or X in 7th position of the model number

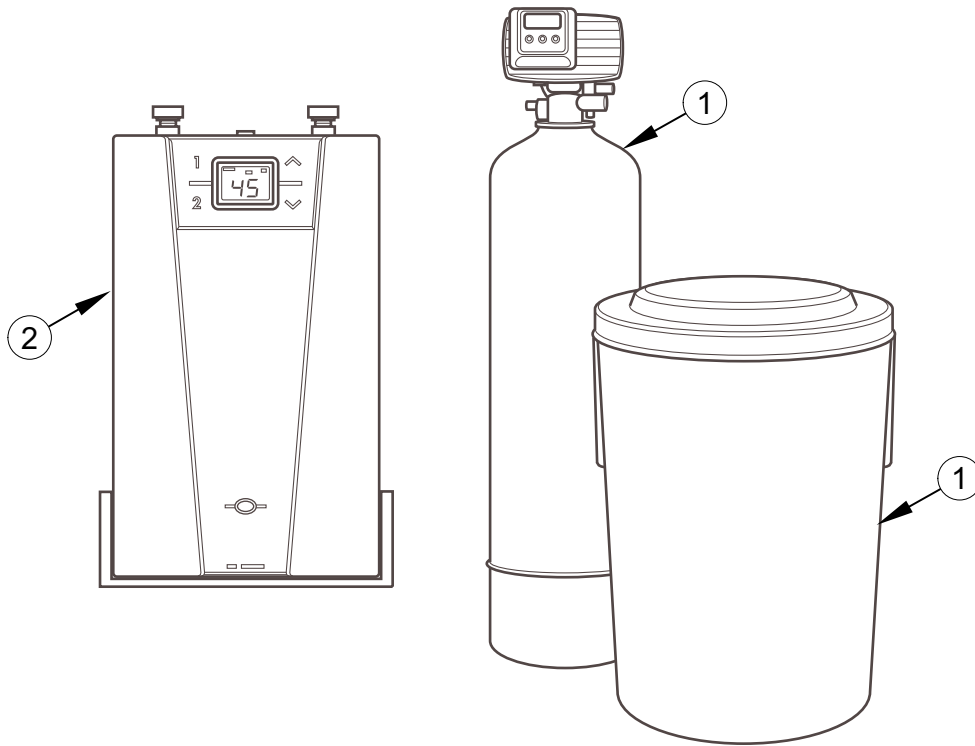


CZW320P_D1617

Base Frame with Built-In Filter

REF	PART NO.	DESCRIPTION	COMMENTS
	574827	Base Frame	With built-in Filter; Assembly; Includes items 1-12
1	574720	Filter	Assembly
2	573815	Base Frame	
3	574767	Front Panel	
4	SP537854	Bolt	M6x14
5	574782	Left Cover	Assembly
6	574701	Box	Assembly
7	SPPRI240000007	Hose Clamp	
8	SP519463	Drain Elbow	
9	574840	Elbow	
10	570807	Pipe	
11	574843	Elbow	
12	574788	Right Cover	Assembly

Soft Wash - Without Built-In Recirculation Pump

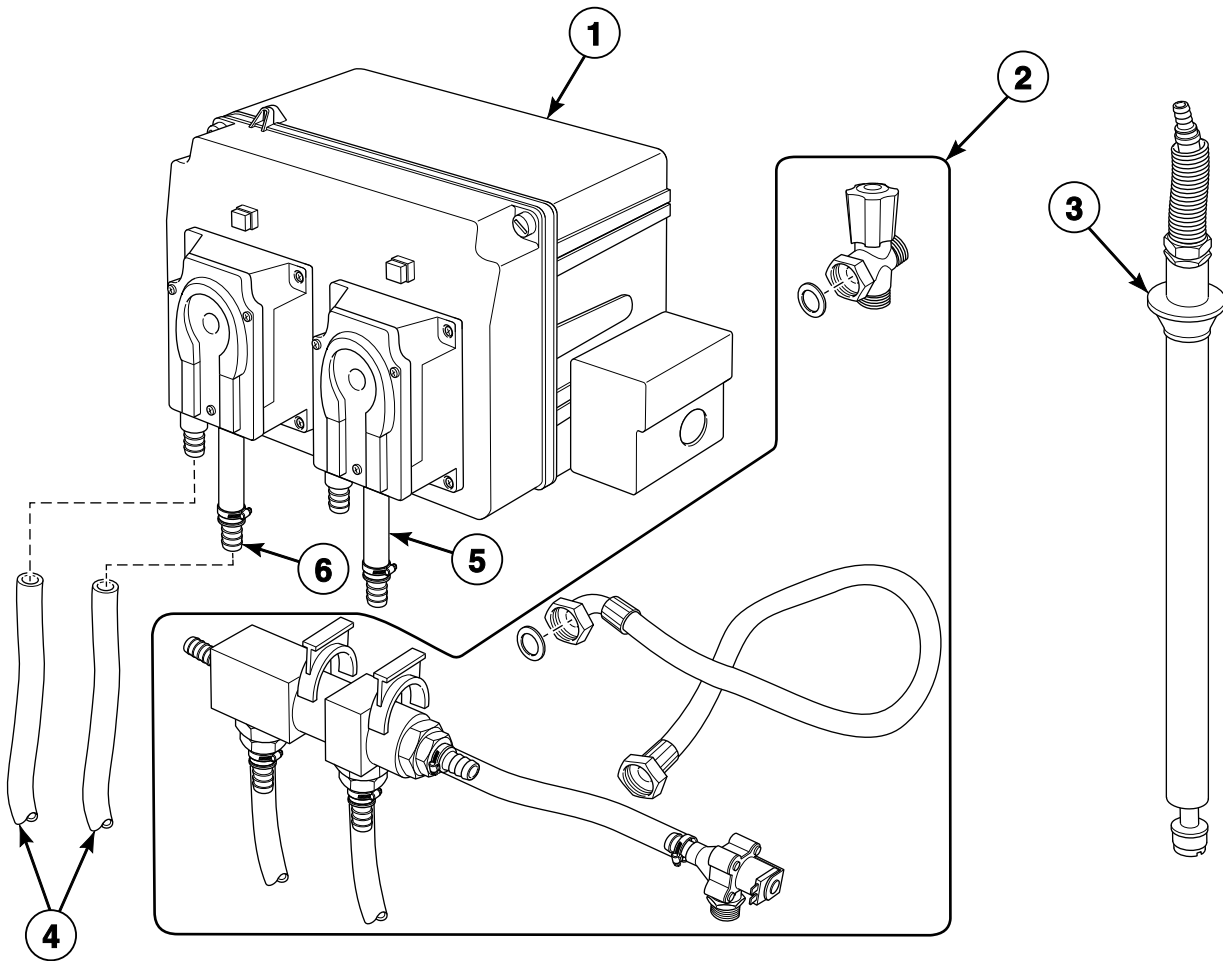


C-CZW57P_D1617

Soft Wash - Without Built-In Recirculation Pump

REF	PART NO.	DESCRIPTION	COMMENTS
	SP567105	Soap Pump Kit	Four pumps; Includes suction hoses and tubes; CE and Watermark
	SP567106	Soap Pump Kit	Six pumps; Includes suction hoses and tubes; CE and Watermark
1	SP562737	Water Softener	AMVE 305; Optional; CE and Watermark
	SP562750	Water Softener	AMVE 505; Optional; CE and Watermark
2	SP562749	Water Heater	6kW; 50/60Hz; 230V; Optional; CE and Watermark
	SP562736	Water Heater	8.8kW; 50/60Hz; 230V; Optional; CE and Watermark

Liquid Soap Supply System - Pumps

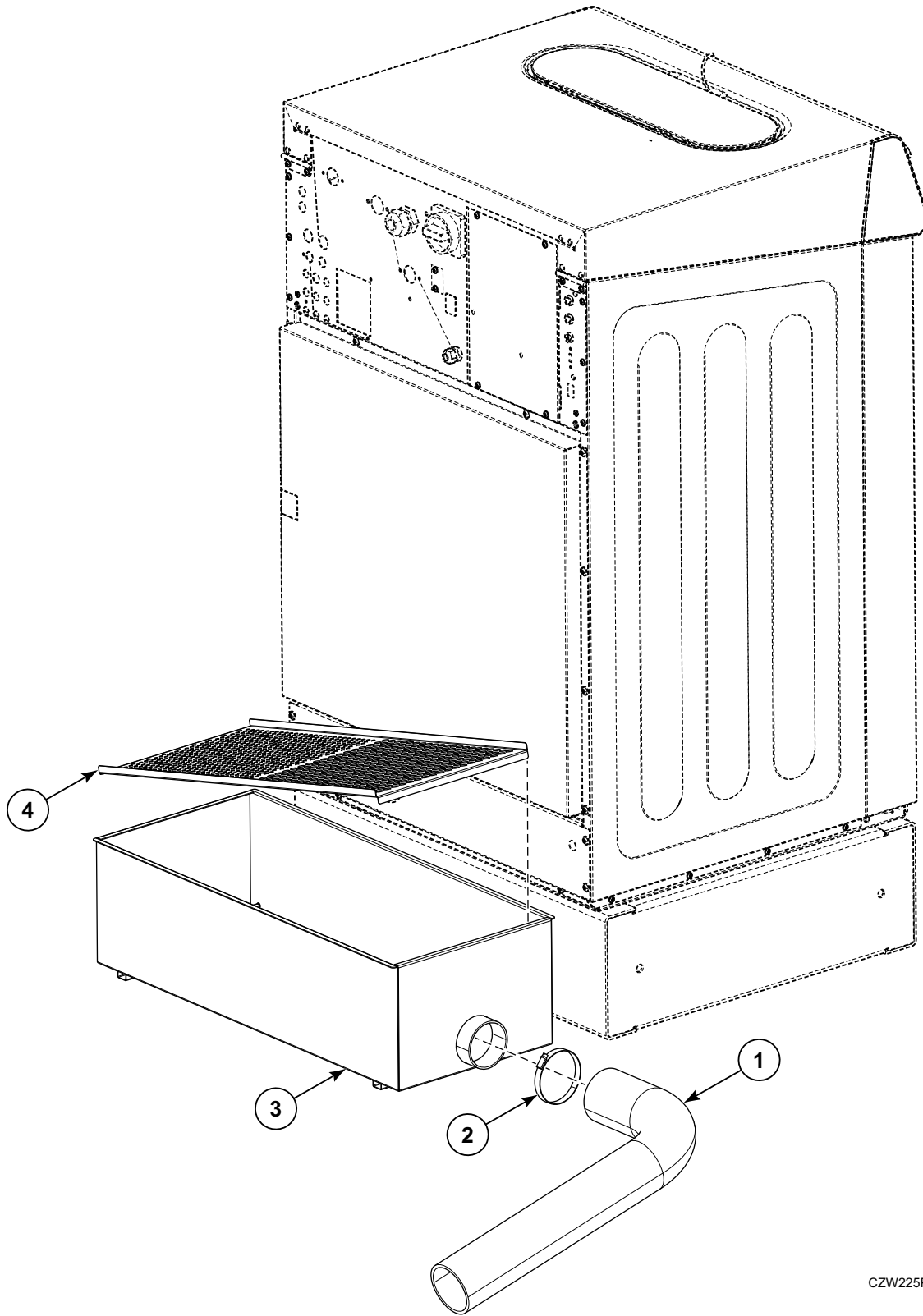


CZW45P_D1617

Liquid Soap Supply System - Pumps

REF	PART NO.	DESCRIPTION	COMMENTS
	MB90-Z40	Supply Pump Kit	For two pumps
	MB90-Z41	Supply Pump Kit	For three pumps
	MB90-Z42	Supply Pump Kit	For four pumps
	MB90-Z43	Supply Pump Kit	For five pumps
	MB90-Z44	Supply Pump Kit	For six pumps
1	529742	Pump	Two
	529743	Pump	Three
	529744	Pump	Four
	529745	Pump	Five
	529746	Pump	Six
2	529789	Manifold Flush Kit	For two pumps
	529797	Manifold Flush Kit	For three pumps
	529798	Manifold Flush Kit	For four pumps
	529799	Manifold Flush Kit	For five pumps
	529800	Manifold Flush Kit	For six pumps
3	529787	Suction Tube	
4	SPPRI540020005	Hose	d10/14
5	529747	Hose	Spare hose for pump
6	547808	Connection	

Filter Tank



CZW225P_D1617

Filter Tank

REF	PART NO.	DESCRIPTION	COMMENTS
	570845	Filter Tank	Used with elevated base frame 200mm tal
1	SP519463	Drain Elbow	
2	SPPRI240000007	Hose Clamp	
3	570839	Collector Weldment	
4	561294	Filter	

Wire Harnesses

PART NO.	DESCRIPTION	COMMENTS
SPPRI351000161	Steam Valve Cable	CE and Watermark; Steam heating
SPPRI351107209	Heating Contactor Wiring	CE and Watermark; 2.5mm ² ; l=440mm; For 4.6kW, 6kW, 9kW; CE
SPPRI351108209	Heating Contactor Wiring	CE and Watermark; 4mm ² ; l=440mm; For 9kW
SP547075	RS485 External Interconnection	For RS485 external interconnection to PC
528393	Wiring Steam - Electrical Heating	Steam heating- electrical heating modification
528328	Heating Wiring	CE and Watermark; 1.5mm ²
SP528335	Heating GND Wiring	CE and Watermark
SP528205	Frame GND Interconnection	
528350	Transformer Connection	400-480V, 3AC -N; CE and Watermark
568391	Main Wiring	Models with G or V in 7th position of the model number
569749	Door Lock Wiring	Models with G or V in 7th position of the model number; l=1.7m
569751	Door Lock Cable	Models with G or V in 7th position of the model number; l=0.24m
SP528323	Communication Cable	
568396	Motor Temperatuer Protect Cable	Models with V in 7th position of the model number
528329	Heating Wiring	Section 2.5mm ²
528080	Frame GND Interconnection	Models with V in 7th position of the model number
SP528064	Steam Heat Wiring	Models with G or V in 7th position of the model number; Steamboat
SP557947	External Block Signal Cable	Length = 110.24 inches (2.8 m)
SP557948	External Block Signal Cable	Length = 169.29 inches (4.3m)

Parts Index

A

Adapter	
SP319428324012	187, 189
SP547968	187, 189
Adhesive	
SP101403	187, 189
SP245704000050	191
SP245704000603	119, 187, 189, 199
SP245704003021	11, 119, 191
SP537896	35, 119, 195
Adjustable Foot	
SPPRI504000001	13
Air Trap Reduction	
SPPRI503000027	145, 147, 149, 151, 153, 155
Anticorrosive Agent	
SP510889	191
Automatic Door Opening Module Wiring	
SP552455	33
Automatic Unlocking Module Assembly	
SP545238	23, 27, 31
SP552489	23, 27, 31, 35

B

Base Frame	
573815	203
574827	203
Bearing	
SPPRI608000002	199
SPPRI608000048	199
Bearing Housing	
SP537860	199
SP537862	199
Bearing Replacement Tool Kit	
SP538787	199
Belt	
SP528925	197
Binding Strip	
SP345000626088	145, 147, 149, 155
SP503817	141, 143
Board Interconnection Cable	
SP537995	61
SP547005	51, 53, 61
575865	95, 97, 99
Bolt	
F8270701	131
SPF02119000415	191, 195
SP309084000320	77, 83, 89
SP309084000408	25, 27, 31, 43, 47, 77, 79, 81, 83, 85, 87, 89, 91, 93
SP309084000416	11, 13, 121, 135, 137, 139, 157, 161, 165, 169, 173, 177, 181, 185, 195
SP309084240325	13
SP309798500306	35, 43
SP309916000810	151
SP309933000416	77, 83, 89, 101, 103, 157, 165, 169
SP309933000616	23, 27, 47, 151, 153, 155, 197
SP309933000620	159, 165, 169, 173, 177, 181, 185, 187, 189

SP309933000660	173, 177, 181, 185
SP309933000820	11, 13, 145, 147, 149
SP309933000835	191, 193
SP309933000870	197
SP309933000880	11
SP309933001020	197
SP309933100625	157, 161, 165, 169, 173, 177, 181, 185
SP309933240408	161, 165, 169
SP309933240412	79, 81, 85, 87, 91, 93, 173, 177, 181, 185
SP309933240825	191, 193
SP309965240408	71, 73, 75
SP310934000004	79
SP506012	95, 97, 99
SP506013	43, 45
SP506431	31, 43
SP506432	13
SP521957	151, 153, 155
SP527084	25, 29, 33, 35, 43, 49
SP527420	13, 191, 193
SP533392	197
SP533726	13
SP535479	123, 127, 129
SP537854	121, 195, 203
SP537864	123, 127, 129
SP550482	33, 43
SP553524	125
SP555504	35, 51, 53, 61, 71, 73, 75, 141, 143, 173, 177, 181, 185
SP555658	25, 29, 31, 33, 35, 43, 189
SP556137	121
309084000535	173, 177, 181, 185
309500240408	71, 73, 75
521895	11
555658	45, 95, 97, 99
563123	45, 51, 53, 61, 65, 67, 69
568968	131
569655	71, 73, 75
577761	61
577762	61
577763	61
582307	81, 87, 93

Box	
574701	203
Bushing	
SP101406	161, 163, 167, 171, 175, 179, 183
SP101409	161, 163, 167, 171, 175, 179, 183
582259	163, 167, 171, 175, 179, 183

C

Cable	
SP545234	101, 161, 163, 167, 171, 175, 179, 183
557982	159
Cable Bushing	
SPPRI501001078	151, 153, 155
Cable Bushing Insert	
SP557952	161
Cable Clamp	
SP528392	161, 165, 169, 173, 177, 181, 185
Cable Eye	
SP345000165034	165

N/A items do not appear in index.

345000165034	169, 173, 177, 181, 185	SP547645.....	107
Cable Holder		SP547646.....	107
SP528313	35, 49, 51, 53, 165, 169, 173, 177, 181, 185	SP547647.....	105
Cable Passage		SP547648.....	105
SP27312100502	23, 27, 31, 43	SP547649.....	107
SP273121015002	157	SP547651.....	107
SP273121022002	157	SP547652.....	105
Cage		SP547653.....	107
SP533742	197	SP547654.....	107
Casing		SP547655.....	105
SP529739	123, 127, 129	SP547656.....	105
Circuit Breaker		SP547657.....	107
571462	171, 175, 179	SP547658.....	107
571464	183	SP547659.....	107
Clamp		SP547660.....	107
SP537717	191, 195	SP547661.....	107
Clip		SP547662.....	107
SP502214	165, 169, 173, 177, 181, 185	SP547663.....	107
Coil		SP547664.....	107
SP554110.....	187, 189	SP547665.....	105
568942	131	SP547666.....	105
Coin Meter		SP547667.....	107
SP537996	107	SP547668.....	107
SP547600	105	SP547669.....	107
SP547601	105	SP547670.....	107
SP547602	105	SP547671.....	107
SP547603	105	SP547672.....	107
SP547604	105	SP547673.....	107
SP547605	105	SP547674.....	107
SP547606	105	SP547675.....	107
SP547607	105	SP555502.....	107
SP547608	105	SP555543.....	107
SP547609	105	SP555546.....	107
SP547610	105	SP555549.....	107
SP547611.....	105	SP555550.....	107
SP547612	105	SP555558.....	107
SP547613	105	SP555559.....	107
SP547614	105	SP555578.....	107
SP547615	105	SP555579.....	107
SP547616	105	SP555666.....	107
SP547617	105	SP558958.....	55
SP547618	105	SP558959.....	55
SP547619	105	SP559933.....	55
SP547620	105	SP559934.....	55
SP547621	105	SP559938.....	55
SP547622	105	SP559949.....	55
SP547623	105	SP559969.....	55
SP547624	105	SP560071.....	57
SP547625	105	SP560075.....	57
SP547626	105	SP560082.....	109
SP547627	105	SP560083.....	109
SP547628	105	SP560084.....	109
SP547629	105	SP560085.....	109
SP547630	105	SP560086.....	109
SP547631	105	SP560087.....	55
SP547632	105	SP560089.....	107
SP547633	105	SP560090.....	55
SP547634	105	SP560091.....	55
SP547635	105	SP560092.....	55
SP547636	105	SP560093.....	55
SP547637	109	SP560094.....	55
SP547638	105	SP560100.....	55
SP547639	105	SP560309.....	55
SP547640	105	SP560310.....	55
SP547641	107	SP560311.....	55
SP547642	107	SP560312.....	55
SP547643	107	SP560405.....	55
SP547644	107	SP560406.....	55
		SP560407.....	55
		SP560408.....	55

N/A items do not appear in index.

SP560409	55	569933	107
SP560410	55	569934	55
SP560411	55	569936	109
SP560412	55	569937	57
SP560413	55	569939	107
SP560414	55	569940	55
SP560415	55	569942	109
SP560416	55	569943	57
SP560417	55	569945	109
SP560418	55	569946	57
SP560419	55	569948	107
SP560420	55	569949	57
SP560421	55	569951	107
SP560422	55	569952	57
SP560423	55	569954	109
SP560424	55	569955	57
SP560425	55	569961	109
SP560426	55	569962	57
SP560427	55	569964	107
SP560428	55	569965	55
SP560429	55	569967	109
SP560432	55	569968	57
SP560744	107	569970	109
SP560745	55	569971	57
SP560751	55	569973	109
SP568002	113	569974	57
SP568003	113	569979	109
SP568004	113	569980	57
SP568005	113	569987	109
SP568006	113	569988	57
SP568007	113	569993	57
SP568008	113	569995	57
SP568009	113	569998	109
SP568010	113	569999	59
SP568011	113	570000	59
SP568012	113	572301	109
SP568013	113	572302	59
SP568014	113	572304	109
SP568015	113	572307	109
SP568016	113	572308	59
SP568017	113	572310	109
553150	109	572311	59
553151	109	572313	109
553156	57	572314	59
560073	109	572317	109
561378	109	572318	59
561496	109	572320	109
561497	57	572321	59
563405	57	572323	109
564484	109	572324	59
564485	57	572339	111
564486	109	572342	111
564487	57	572343	59
564489	109	572355	59
568002	115	572358	111
569901	109	572359	59
569905	57	572383	111
569911	57	572386	115
569912	109	572389	59
569918	109	572391	111
569919	57	575201	117
569921	105	575202	117
569922	55	575203	117
569924	109	575204	117
569925	57	575205	117
569927	109	575206	117
569928	57	575207	117
569930	109	575208	117
569931	57	575209	117

N/A items do not appear in index.

575210	117	579808	111
575211	117	579809	59
575212	117	579811	117
575213	117	579812	109, 111
575214	117	579813	59
575215	117	579815	115
575216	117	Coin Meter Box	
575217	117	SP102532	101
575218	113	100498	101
575219	113	568036	103
575220	113	Coin Meter Case	
575221	113	571049	101
575222	113	571055	101
575223	113	572120	101
575224	113	573009	103
575225	113	Coin Meter Cover	
575226	113	SP547565	95
575227	113	567924	65, 71
575228	113	Coin Meter Cover Plate	
575229	113	SP558929	51, 53
575230	113	Coin Meter Covering Plate	
575231	113	SP547565	61
575232	113	Coin Vault Plate	
575233	113	SP533103	25, 27, 31
575234	113	566737	41, 47
575235	113	Collector Weldment	
575236	113	570839	209
575237	113	Communication Cable	
575238	113	SP528323	157, 210
575239	113	Compression Spring	
575240	113	SP535406	125
575241	113	Connection	
575242	113	547808	207
575243	113	Connector	
575244	113	SP537856	121, 195
575245	113	SP554156	187, 189
575246	113	Contactactor	
575247	113	SPPRI345002019	157, 163, 167, 171, 175
575248	113	SP514038	157, 163, 167, 171, 175, 179, 183
575249	115	SP514042	157, 163, 167, 171, 175, 179, 183
575250	115	SP514043	157
575251	115	Control	
575252	115	575632	71, 73, 75, 77, 79, 83, 85, 89, 91
575253	115	582285	81, 87, 93
575254	115	Control Board	
575255	115	SP547001	61
575256	115	SP553411	51, 61, 65, 67, 69
575257	115	SP553412	51
575258	115	SP553419	53, 65, 67, 69
575259	115	553446	95, 97, 99
575260	115	Control Board Holder	
575261	115	573934	45
575262	115	Control Board I/O	
575263	115	SP547002	61
575264	115	SP553405	35, 51, 53, 61
575265	115	553444	35, 41, 45
575266	115	Control Holder	
575267	115	571041	71, 73, 75
575268	115	581020	95, 97, 99
575269	115	581021	95, 97, 99
575270	115	Control Panel	
575271	115	SP557599	51
575272	115	SP558885	53
575273	115	573065	65
575274	115	573068	67, 69
575275	59	573119	71, 73, 75
575276	59		
575277	59		
575278	115		
575279	115		

N/A items do not appear in index.

580645	95, 97, 99
Control Panel Frame	
573004	37, 71, 73, 75
Control Support	
581009	95, 97, 99
Conversion Board	
553439	45
Cover	
SPPRI543000004	51, 53, 61
566549	163, 167, 171, 175, 179, 183
569656	35
Cover Plate	
SP550149	61, 99
Cover Strip Pin	
SP533738	11
CPS Cover Plate	
SP558930	51, 53
Cross Piece	
SP537861	191, 193
Cylinder Cap	
SP526568	151, 153, 155

D

Damper	
SP533715	13
DC Choke	
571454	171, 175, 179, 183
Dispenser Lid	
SP526461	135, 137, 139
SP551695	135
Dispenser Pipe	
SP526488	137, 139
SP526589	135
Dispenser Seal	
SP540158	135, 137, 139
Distance Case	
SP557472	11
Distinguishing Ring	
SP535437	125
571733	125, 127
582329	125, 129
Door	
SP535423	123
SP535425	123
SP553525	123, 129
568836	123, 127
Door and Lock Holder	
SP537852	121
568887	121
Door Assembly	
535400	119
535432	119
553530	119
556252	119
556270	119
563370	119
571763	129
571766	127
574097	119
576074	119
582299	119
Door Frame Sheet	
571632	127, 129

Door Glass	
SP535413	121, 129
SP556226	121, 127
535413	127
573190	127
Door Level	
573009	127, 129
Door Lock Assembly	
576085	131
Door Lock Cable	
569751	210
Door Lock Catch	
576084	131
Door Lock Holder	
SP537852	195
568887	195
Door Lock Plate	
568971	131
Door Lock Wiring	
SP528270	119
SP552453	119
569723	119
569749	210
Door-glass Insulation	
582318	119
Double Reverse Valve	
RSPB12543901	135, 141, 143
Drain Cover	
SP521553	25, 29, 33, 37, 41
Drain Elbow	
SP519463	203, 209
SP526591	145, 147, 149
SP547803	151, 153, 155
Drain Hose Pipe	
SP521558	151, 153, 155
SP526492	145, 147, 149
Drain Pump	
567142	153, 155
570314	153, 155
Drain Pump Cover	
SP521511	25, 29, 33, 37, 41
554260	49
Drain Pump Hose Bushing	
SP547807	151, 153, 155
Drain Pump Kit	
567937	151
Drain Valve	
SP526460	145, 147, 149
Drain Valve Chamber	
SP553195	145
Drain Valve Holder	
SP526511	145, 147, 149
Drain Valve Motor	
SPPRI340002051	145, 147, 149
Drain Valve Seal	
554276	145, 147, 149
Drum V-Pulley	
SP556166	197

E

Edge Protection	
SP529068	25, 29, 33, 35, 41, 49, 177, 185

N/A items do not appear in index.

Elbow	
574840	203
574843	203
Elevated Base Frame	
SP550120	201
SP550135	201
SP550136	201
SP550137	201
SP550138	201
SP551901	201
SP551902	201
SP551903	201
SP551904	201
SP551905	201
Emergency Stop Connector	
SP528311	51, 53, 61, 65, 71, 77, 79, 81, 95
Emergency Stop Interconnection	
SP520033	51, 53, 61, 83, 85, 97, 99
571485	89, 91
Emergency Stop Knob	
SP528310	51, 53, 61, 65, 71, 77, 79, 81, 95
Emergency Stop Label	
SPPRI551005248	65, 71, 95
Emergency Stop Wiring	
SP520032	51, 53, 61
End Stop	
SP346000209101	171, 175, 179, 183
External Block Cable Kit	
582964	171, 175, 179, 183
External Block Signal Cable	
SP557947	161, 163, 167, 210
SP557948	210
External Tub	
SP537891	191, 193
SP537923	191, 193
External Tub Front Plate	
SP537722	191
SP571606	195

F

Fastener	
SP550115	35, 65, 67, 69, 71, 73, 75
Ferrite Core	
557961	163, 167, 171, 175, 179, 183
Filling Elbow Pipe	
SP526456	135, 137, 139, 141, 143
Filling Hose Pipe	
RSPF200166	135
SPPRI505000054	135, 137, 139, 141, 143
SP101621	135, 137, 139, 141, 143
SP547980	135, 137, 139, 141, 143
Filter	
SPPRI340004030	135, 137, 139, 141, 143
SP516012	157, 163
SP525935	157
525935	167
561294	209
568380	171, 179
574720	203
Filter Holder	
572126	175
574850	183

Filter Tank	
570845	209
Fixed Hinge	
568979	123
568981	123
568982	123, 127, 129
568984	123
Fixed Upper Hinge	
568979	127, 129
Flap	
SP540113	135, 137, 139
Foam Roller	
SP100188	145, 147, 149, 151, 153, 155
Frame GND Interconnection	
SP528205	210
528080	210
Frastener	
SP550115	45
Frequency Inverter	
571471	157, 163, 171, 179
571474	157, 163, 167, 171, 175, 183
Frequency Inverter Filter	
SP557932	175, 183
Front Cover	
SP564362	37
573012	37
Front Panel	
SP547740	33
SP547742	33
SP547748	25, 33
SP547750	25, 33
SP554243	25, 33
SP554245	25, 33
SP554256	33
SP554258	33
SP557052	29
SP557053	29
SP557054	29
SP557055	29
563450	25, 33
563452	25, 33
563454	25, 33
563456	25, 33
568975	121, 195
568998	121, 195
571025	37
571028	37
571721	121, 195
571724	121, 195
572525	41, 49
572526	41, 49
572527	41, 49
572528	41, 49
572529	41, 49
572531	41, 49
572532	41, 49
572533	41, 49
574089	37
574090	37
574767	203
Front Spring Holder	
SP555516	17
Fuse	
SP345805005020	161, 167, 175, 183
SP345805163032	161, 163, 167, 171, 175, 179, 183
Fuse Cover	
SP554311	171, 175, 179, 183

N/A items do not appear in index.

Fuse Holder	
SPPRI1401001020	175, 183
SPPRI401001020	161, 167
SP554310	171, 175, 179, 183
Fuse Housing	
SPPRI401003020	161, 163, 167, 171, 175, 179, 183

H

Handle	
SP552908	125
SP552909	125
SP556297	125
552916	125
562898	125
571780	129
571781	127
571788	125
576081	125
582330	125
Handle Ball	
SP535407	125
Handle Cover	
SP556278	125
Handle Lower Part	
SP535429	125
571779	127, 129
Handle Torsion Spring	
SP535402	123, 127, 129
Heating Contactor Wiring	
SPPRI351107209	210
SPPRI351108209	210
Heating Element	
SP540142	191, 195
SP540143	191, 195
SP540144	191, 195
SP540145	191, 195
Heating Element Cover	
SP552972	121
568929	121, 195
Heating Element Front Cover	
SP563273	121, 195
568985	121, 195
Heating Element Hole Plug	
SPPRI342001016	187, 189
Heating GND Wiring	
SP528335	210
Heating Wiring	
528328	210
528329	210
Hex Pillar	
570381	173, 177, 181, 185
Hinge	
SP516832	23, 27, 31, 43
Hinge Spacer	
SP535421	123, 127, 129
SP537849	121, 195
Hinges	
570553	123
Holder	
SPPRI326002004	23, 27, 31, 35
540123	163, 167
570382	171, 175, 179, 183
582260	81, 87, 93

Holder Cover	
SP535412	125
SP535430	125, 129
SP535436	125
SP535438	125, 127
Holder Partition	
SP526474	157
Hook	
SPPRI551016250	23, 27, 31, 43
Hook Lock	
SPPRI610002007	23, 27, 35, 61, 83, 85, 87
Hose	
SPPRI503002049	145, 147, 149, 151, 153, 155
SPPRI540000014	135, 137, 139, 141, 143
SPPRI540020005	207
529747	207
Hose Clamp	
SPPRI240000002	135, 137, 139, 141, 143
SPPRI240000003	135, 137, 139, 141, 143, 145, 147, 149, 151, 153, 155
SPPRI240000005	197
SPPRI240000007	135, 137, 139, 141, 143, 145, 147, 149, 203, 209
SPPRI240000008	151, 153, 155
SPPRI240000017	135, 141, 143, 147, 149
SPPRI240000021	135, 137, 139, 141, 143
SPPRI241000017	145, 147, 149, 151, 153, 155
SP526491	135, 137, 139, 141, 143
SP526532	145, 147, 149, 151, 153, 155
576096	145, 147, 149
Hose Pipe	
SP101745	135, 137, 139

I

Insulation Washer	
571458	171, 175, 179, 183
Internal Vessel	
SP540122	135, 137, 139
Isolation Paper	
SPPRI350012007	101, 103, 157

K

Key	
SP550616	23, 27, 61, 83, 85, 87
Keyboard	
SP537990	63
SP537991	63
SP547007	63
SP547008	63
SP547009	63
SP547010	63
SP547019	51, 63
SP547020	51, 63
SP547021	51, 63
SP547022	51, 63
SP547031	63
SP547032	63
SP547033	63
SP547034	63
SP556107	63
SP557566	65, 67, 69
SP557567	53

N/A items do not appear in index.

SP557568	53
SP557573	51
SP557574	51
SP557579	51
SP557582	51
SP560759	53
SP560760	53
547087	65
547088	65, 67, 69
577656	95, 97, 99
Kit of Hinges	
570553	127
570554	123

L

Label	
524740	163, 167
557981	159
570371	171, 175, 179, 183
572486	9
572487	9
576337	9
Label Covering	
567925	71
Latch	
SP527083	25, 29, 33, 37, 41, 49
Lath	
SP547508	61
Leading Pin	
SP550113	51, 53, 71, 73, 75, 95, 97, 99
Left Cover	
574782	203
Liquid Detergent Box	
SP540123	161
Liquid detergents	
570316	171, 175, 179, 183
Liquid Soap Supply Connection Kit	
SP540180	157
Locating Segment	
SP529710	125
571773	127, 129
Lock	
SP537760	123, 133
SP547527	23, 27, 35, 45, 61, 83, 85, 87
Lock Hook	
581001	45
Lock Pin	
SP537933	123
Logo	
567887	81, 87, 93
Lower Frame	
SP533881	13
Lower Hinge	
571651	127, 129
575963	123
575965	123
Lower Rear Cover	
SP533381	25, 29, 33, 37, 41
Lower Weight	
SP533753	11
Lubrication Grease	
SP111313000002	199

N/A items do not appear in index.

M

Main Switch	
SPPRI404000097..	157, 163, 167, 171, 175, 179, 183
SPPRI404000098..	157, 163, 167, 171, 175, 179, 183
SPPRI404000099..	157, 163, 167, 171, 175, 179, 183
SPPRI404001098.....	157, 163, 167, 171, 175, 179
SPPRI404001099.....	157, 163, 171, 175, 179
SP506407.....	157, 163, 167, 171, 175, 179
Main Switch Knob	
SPPRI404000095..	161, 163, 167, 171, 175, 179, 183
Main Vessel	
SP540115.....	135, 137, 139
Main Wiring	
SP552475.....	157
SP557768.....	157
568391	210
Manifold Flush Kit	
529789	207
529797	207
529798	207
529799	207
529800	207
Microswitch	
SP528309.....	13
568978	131
571634	195
Mixer	
SP526558.....	135, 137, 139, 141, 143
582508	135, 137, 139
Mixer Body	
SP526565.....	135, 137, 139, 141, 143
582506	135, 137, 139
Mixer Lid	
SP526557.....	135, 137, 139, 141, 143
582509	135, 137, 139
Module	
553189	41, 45
Motor and Pulley	
SP555580.....	197
SP555583.....	197
571443	197
571444	197
Motor Holder	
SP533741.....	197
Motor Temperatur Protect Cable	
568396	210

N

Network Installation Kit	
569593	51, 53, 61
Nose Assembly	
572580	77
573953	89
574121	83
574234	77
574237	83
574240	89
576033	79
576036	85
576039	91
576042	79
576045	85

576048	91
579184	81
581630	87
581636	93
Nut	
F430225	131
F430232	131
SP101416	157, 163, 167, 171, 175, 179, 183
SP101419	157, 163, 167, 171, 175, 179, 183
SP309084000308	77, 79, 83, 85, 89, 91
SP310934000003	13
SP310934000004	51, 53, 61, 65, 67, 69, 71, 73, 75, 77, 81, 83, 85, 87, 89, 91, 93, 95, 97, 99, 101, 103, 157, 161, 165, 169
SP310934000008	197
SP310934000010	13
SP310934000020	13
SP310934100006	157, 165, 169, 173, 177, 181, 185
SP310934240004	131
SP310934240006	195
SP310934240008	191, 195
SP310985000006	31, 43, 121, 125, 127, 129, 195, 197
SP310985000008	11, 13
SP310985000010	13, 191, 193
SP310985000012	197
SP313251000006	23, 27, 31, 35, 41, 187, 189
SP313251002104	121
SP510923	13
SP514193	29, 35, 95, 97, 99, 151, 153, 155
571635	195

O

Oscillation Limiter	
SP533388	11
Overflow Tube	
SP526481	135, 141, 143, 147, 149
Overlay	
573926	77, 79
573935	83, 85
573950	89, 91
574216	77, 79
574219	83, 85
574222	89, 91

P

Panel Holder	
SP533257	31
SP557603	23
SP560301	27
569573	35
573938	41
580772	45
Pin	
SP540117	135, 137, 139
Pin Insertion	
SP520408	13, 23, 25, 27, 31, 35, 43, 47, 51, 53
Pipe	
570807	203
Pipe Nipple	
SPR22112000114	187, 189

Plastic Post	
577689	45
577693	45
Plastic Window	
582274	81, 87, 93
Plate of Closing	
568941	131
Plug	
SPPRI426001268	187, 189
567053	141, 143
Profile	
SP522450	41, 195
SP527088	25, 29, 33, 37, 41, 49
522450	37
Profiled Sealing	
SPPRI505000058	13, 27, 165, 169, 173, 177, 181, 185, 195
Programmer Holder	
SP547501	61
SP547504	61
SP557616	51
SP558887	53
569578	35
573934	41
Programming Cable	
F8600501	51, 53, 61
Pump	
529742	207
529743	207
529744	207
529745	207
529746	207
Pump Cover	
SP500140	151
Pump Holder	
SP547804	151
567127	153, 155
Pump Relay Board to LED Terminal Cable	
SP528149	161
Push Bottom Cover	
SP543000003	163, 167, 171, 175, 179, 183

R

Rear Cover	
SP533111	25, 27, 31
533381	45
570467	37, 41, 45
Rear Panel	
SP526573	159
SP554400	159
569591	171, 175
572521	179, 183
577191	163, 167
Rear Panel Lid	
SP540121	161
Rear Spring Holder	
SP555517	15, 17, 19, 21
Reinforcement	
SP558879	23, 47
SP558943	27
Reinforcement Tube	
SP500125	145, 147, 149, 151, 153, 155

N/A items do not appear in index.

Relay	SP552468	171, 175, 179, 183
Reverse Function Drain Valve	SP547821	145, 147, 149
Right Cover	574788	203
Rim	SP562545	123, 127
	573187	123, 127
	582296	123
Ring	SP527085	25, 29, 33, 35, 43, 49
Rivet	SP313250004007	157
	SP313250004063	25, 29, 33, 35, 43, 151, 153, 155
	SP313250048008	23, 27, 31
	SP313250048103	43
	SP521706	25, 29, 33, 35, 43, 49
	SP547779	13, 23, 25, 27, 31, 35, 43, 47, 51, 53, 95, 97,
		99, 121, 195
	505479	15, 17, 19
Roller	SP533727	13
RS485 External Interconnection	SP547075	210

S

Screw	F430977	131
	SP100218	95, 97, 99
	SP309798124313	135, 137, 139
	SP520407	81, 85, 87, 91, 93
	SP526497	135, 137, 139, 141, 143, 145, 165, 169, 173,
		177, 181, 185
	SP529206	13, 23, 25, 27, 29, 31, 33, 35, 43, 45, 81, 87,
		93, 101, 103, 135, 137, 139, 145, 147, 149, 151, 153, 155, 157, 161, 165, 169, 173, 177, 181, 185, 189
	505479	21
	582361	81, 87, 93
Seal	SPPRI520001009	135, 141, 143
	SP517232	11, 23, 27, 33, 43, 47
	SP526564	187
	SP537719	191, 195
	564202	35, 45
Sealant	SPPRI704000053	151, 155, 191
Sealing Ring	SP525813	199
	SP537848	199
	582325	199
Self-Adhesive Pad	SPMEC001410	51, 53
Self-Adhesive Profile	570387	171, 175, 179, 183
Service Door Kit	568990	119, 123, 127, 129
Shaft Ring	SP537843	191, 195
Side Board	SP533338	61
	570392	61

Side Panel	SP550334	31
	SP550336	33
	SP550358	31
	SP550360	33
	SP558917	23, 27
	SP558919	25, 29
	SP558996	27
	SP558998	29
	563488	31
	563490	33
	563520	23
	563522	25
	572003	39
	572004	39
	573034	39
	573036	39
	574057	39
	574058	39
	580692	49
	580693	47
	580720	49
	580721	47
	581601	49
	581602	47
Side Panel Assembly	572590	41
	572591	41
	572594	41
	572595	41
Side Sheet Metal	SP547506	61
	SP547507	61
Sidewall	SP520407	79
	572571	77, 83, 89
	572572	77, 83, 89
	572586	77, 83, 89
	572588	77, 83, 89
	573929	77, 79, 83, 85, 89, 91
	576069	79, 81, 85, 87, 91, 93
	576070	79, 81, 85, 87, 91, 93
Soap Hopper	SP540111	135, 137, 139
	SP554213	135
Soap Hopper Plug	SP526468	135, 137, 139
Soap Hopper Upper Cover	SP540112	135, 137, 139
Soap Link Kit	SP557944	161, 163, 167
Soap Pump Kit	SP567105	205
	SP567106	205
Soap Relay Board	SP524714	161
	524714	163, 167
	553187	171, 175, 179, 183
	804528	171, 175
Spacer	F431901	131
Speed Sensor	SP557701	197
Speed Sensor Holder	SP555547	197
Speed Sensor Plate	581680	197

N/A items do not appear in index.

Spiral	SP283449080200	145, 147, 149, 151, 153, 155
Spring	SP505372	15, 17, 19, 21
	SP527086	25, 29, 33, 35, 43, 49
	SP533875	13
	SP533876	13
Spring Clamp	SP540183	145, 147, 149, 151, 153, 155
Spring Holder	SP534977	13
	SP534978	13
Steam Filter	SP405054120215	187, 189
Steam Heat Wiring	SP528064	210
Steam Hose	SP526522	187, 189
Steam Injector	SP526525	187, 189
Steam Kit	SP559312	187
	555351	189
Steam Valve	SP514164	187, 189
Steam Valve Body	SP514165	187, 189
Steam Valve Cable	SPPRI351000161	210
Steam Valve Cover	582255	189
	582256	189
Steam Valve Support	SP526521	187, 189
Suction Tube	529787	207
Supply Pump Kit	MB90-Z40	207
	MB90-Z41	207
	MB90-Z42	207
	MB90-Z43	207
	MB90-Z44	207
Switch	SP100388	161, 163, 167, 171, 175, 179, 183
Switching Unit	SP528312	51, 53, 61, 65, 71, 77, 79, 81, 95

T

Tape	SP284000012003 ..	31, 51, 53, 61, 65, 67, 69, 71, 73, 75,	81, 87, 93, 195
	SP510846	51, 53, 61	
Tee	SP526454	145, 147, 149	
Temperature Sensor	SP503839	141, 143	
	503839	135, 137, 139	
Temperature Sensor Seal	SP526439	135, 137, 139, 141, 143	
Tensioning Angle Piece	SP533326	197	
	SP533327	197	

Terminal Board	SPPRI350000007	101, 103
	SP506575	159
Top Cover	SP550311	31
	SP551996	31
	SP558921	23
	SP558966	27
	567883	23
	569623	39
	569641	39
	572573	41
	574250	41
	580670	45
	580778	45
Torsion/Door Lock Spring	571612	131
Transformer	SP516648	157
	564561	183
Transformer Connection	528350	210
Transformer Kit	579014	171, 175, 179, 183
Transformet	SP516648	167, 175, 183
	564561	171, 175, 179

U

U Shape	SP556991	29
	SP556992	29
Upper Frame	SP533886	11
Upper Hinge	571650	127, 129
	575960	123
	575962	123
Upper Lid Prop	SP533341	27
	SP550133	23, 31, 41
USB Cable	SP547006	161, 163, 167, 171, 175, 179, 183
	569668	101

V

Valve, 2-Way	SP547958	135, 139
Valve, 3-Way	SP547959	135, 137, 139
	570195	141, 143
Valve, 4-Way	SP548933	135, 137
Vent Hose	SP526509	135, 137, 139, 141, 143
Vibration Switch Assembly	SP533391	13
Vibration Switch Holder	SP533387	13

N/A items do not appear in index.

W

Washer

F8193101 131
 PRI247000013 35
 SPPRI247000013 25, 29, 33, 43, 49
 SPPRI522000012 23, 27
 SPPRI523000007 165, 169
 SP311125000003 13, 77, 79, 83, 85, 89, 91
 SP31112500000461, 71, 73, 75, 95, 97, 99, 151, 153,
 155, 157, 161, 165, 169, 173, 177, 181, 185
 SP311125000006 23, 47, 151, 153, 155, 187, 189
 SP311125000008 191, 193
 SP311125000010 193
 SP311125100006.. 157, 165, 169, 173, 177, 181, 185
 SP311125240004 131
 SP311125240006. 159, 165, 169, 173, 177, 181, 185,
 195
 SP311125240008 191, 193, 195
 SP311127000003 77, 79, 83, 85, 89, 91
 SP311127000004. 35, 71, 73, 75, 157, 161, 165, 169,
 173, 177, 181, 185
 SP31112700000623, 27, 47, 151, 153, 155, 173, 177,
 181, 185, 187, 189
 SP311679800003... 13, 35, 43, 51, 53, 61, 65, 67, 69
 SP311679800004... 11, 13, 33, 43, 45, 51, 53, 61, 65,
 67, . 69, 71, 73, 75, 77, 79, 81, 83, 85, 87, 89, 91, 93,
 95, 97, 99, 165, 169, 173, 177, 181, 185
 SP311679800006 195
 SP311679824004 131
 SP311679824006. 157, 159, 165, 169, 173, 177, 181,
 185
 SP311737000010 191, 193
 SP311902100004... 13, 29, 35, 51, 53, 61, 65, 71, 73,
 75, 77, 79, 81, 83, 85, 87, 89, 91, 93, 95, 97, 99, 177,
 185
 SP311902100006 31, 43, 125, 127, 129, 173, 177,
 181, 185
 SP311902100008 145, 147, 149
 SP311902100010 13, 197
 SP311902100012 197
 SP505430 173, 177, 181, 185
 SP525284 11
 SP527021 35, 43, 49
 SP527087 25, 29, 33, 35, 43, 49
 SP537897 191, 193
 SP547981 187, 189
 550446 25, 29, 33, 37, 41
 563361 157
 571642 123, 127, 129
 576338 43
 582327 131

Washing Drum

537886P 191, 195
 563263P 191, 195

Water Heater

SP562736 205
 SP562749 205

Water Level Switch

562709 149
 570315 147, 149, 155

Water Level Switch Hose

SPPRI540001003 145, 147, 149, 151, 153, 155

Water Softener

SP562737 205
 SP562750 205

Y

Y-Piece

SPPRI503000028 147, 149, 155

N/A items do not appear in index.