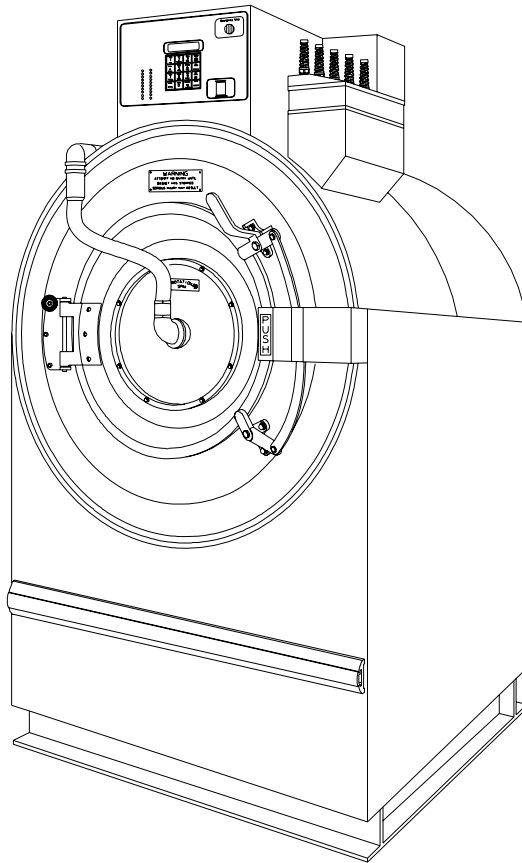


Washer-Extractor

Pocket Hardmount

Design Series 1-4

Refer to Page 5 for Model Numbers



P005C_F232149

Table of Contents

Title	Page
Parts Ordering Information.....	3
Serial Plate Location	3
Model Identification	5
Pocket Hardmount Washer-Extractor Product Overview	6
Decals	8
Control Module - WE-5 Microprocessor	10
Control Module - WE-6 Microprocessor (Drawing 1 of 3)	12
Control Module - WE-6 Microprocessor (Drawing 2 of 3)	14
Control Module - WE-6 Microprocessor (Drawing 3 of 3)	16
Control Module - Models UW60S2 and UW60S3 (Drawing 1 of 2).....	18
Control Module - Models UW60S2 and UW60S3 (Drawing 2 of 2).....	20
Control Module - Model UW60M2.....	22
Balance Switch and Temperature Probe	24
Stainless Steel Soap Dispenser Supply Plumbing.....	26
Polypropylene Supply Dispenser - UW60, UW65 and UW85 Models	28
Supply Dispenser - UW50 Models	30
Spray Plumbing - Models UW60M2, UW60P2, UW60P3, UW60S2 and UW60S3	32
Fill Plumbing - Models UW60M2, UW60P2, UW60P3, UW60S2 and UW60S3 (Drawing 1 of 2).....	34
Fill Plumbing - Models UW60M2, UW60P2, UW60P3, UW60S2 and UW60S3 (Drawing 2 of 2).....	36
Spray and Fill Plumbing - 3/4 Inch Valves; Models UW50P2, UW50P3, UW50P4 and UW65P4	38
Spray and Fill Plumbing - 1/2 Inch Valves; Models UW50P2, UW50P3 and UW50P4.....	40
Spray and Fill Plumbing - Models UW85P3 and UW85P4.....	42
Vacuum Breaker Assembly with Leak Containment Kit.....	44
Drain - Models UW60M2, UW60P2, UW60P3, UW60S2 and UW60S3	46
Motorized Drain Valve.....	48
Ball Drain Valve - Models UW50P2, UW50P3 and UW50P4.....	50
Drain - Models UW50P2, UW50P3 and UW50P4.....	52
Drain - Models UW65P4, UW85P3 and UW85P4.....	54
Basket, Shell and Frame (Drawing 1 of 2)	56
Basket, Shell and Frame (Drawing 2 of 2)	58
Door and Spray Tube.....	60
Door Lock Assembly	62
Right Door Box - Models UW50P2, UW50P3, UW50P4, UW65P4, UW85P3 and UW85P4 with WE-5 Computer	64
Left Door Box - Models UW50P2, UW50P3, UW50P4, UW65P4, UW85P3 and UW85P4	66
Front, Side and Rear Panels.....	68
Motor, Bearings, Pulley and Belt - Model UW50P2	70
Motor, Bearings, Pulley and Belt - Model UW50P3	72
Motor, Bearings, Pulley and Belt - Model UW50P4	74
Motor, Bearings, Pulley and Belt - Models UW60M2, UW60P2 and UW60S2	76
Motor, Bearings, Pulley and Belt - Models UW60P3 and UW60S3	78
Motor, Bearings, Pulley and Belt - Models UW65P4, UW85P3 and UW85P4.....	80

© Copyright 2024, Alliance Laundry Systems LLC

All rights reserved. No part of the contents of this book may be reproduced or transmitted in any form or by any means without the expressed written consent of the publisher.

Electric Heat Option	82
Steam Heat Option	84
Security Fasteners	86
Special Tools	88
Parts Index.....	91

Parts Ordering Information

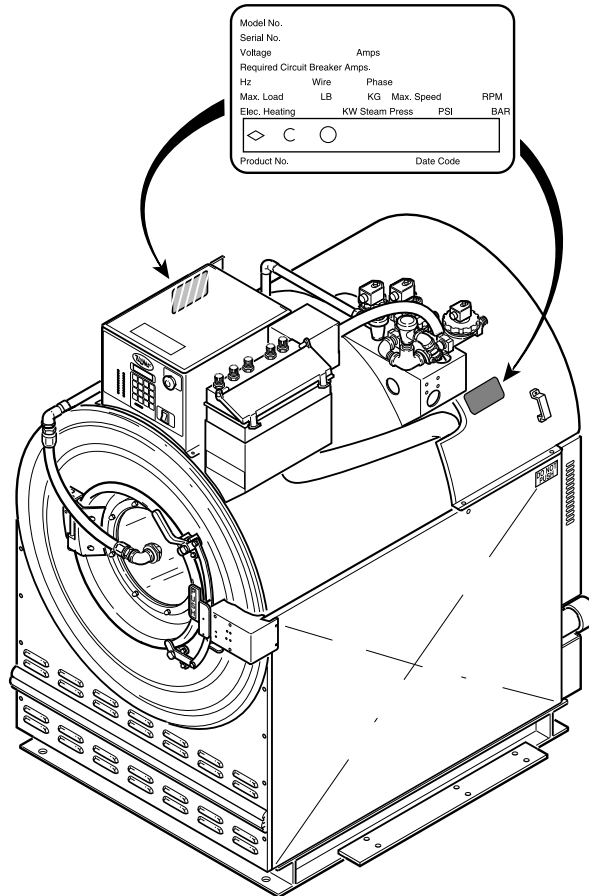
If literature or replacement parts are required, contact the source from whom the machine was purchased or contact Alliance Laundry Systems at (920) 748-3121 for the name and address of the nearest authorized parts distributor.

For technical assistance, call the number listed below:

(920) 748-3121 Ripon, Wisconsin

Serial Plate Location

When calling or writing about your product, be sure to mention model and serial numbers. Model and serial numbers are located on serial plate(s) as shown.



PHM2306P_F232149

Model Identification

Information in this manual is applicable to these washer-extractor models:

UW50P2
UW50P3
UW50P4

UW60M2
UW60P2
UW60P3
UW60S2
UW60S3

UW65P4

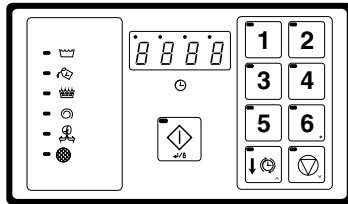
UW85P3
UW85P4

NOTE: Models with either 1, 2, 3 or 4 in the 9th position in the model number (e.g. UW60M2OU40001)

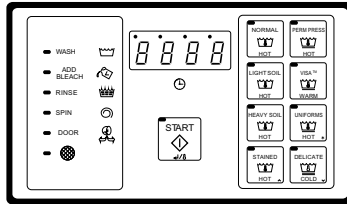
Pocket Hardmount Washer-Extractor Product Overview

Model No. UW60AMXUB0001
 Serial No. 00000000000
 Voltage 200 – 240 Amps 10
 Circuit Breaker 15 Amps
 Hz 50 – 60 Wire 2/3 Phase S 3
 Max. Load 60 LB 27 KG Max. Speed 594 RPM
 Elec. Heating N/A Steam Press. N/A PSI 0.0 BAR

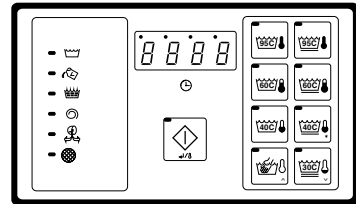
Drawings:
 ETL Listed
 Conforms To ANSI/UL Std. 1206, 3rd Ed
 Certified To CAN/CSA Std. C22.2 No.53-1968



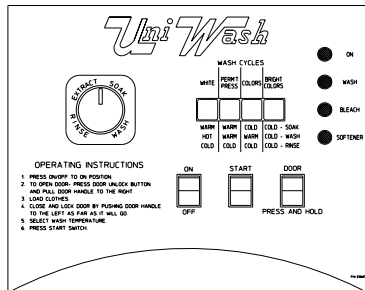
A-Control



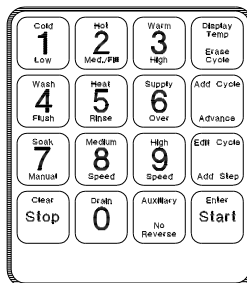
B-Control (Domestic)



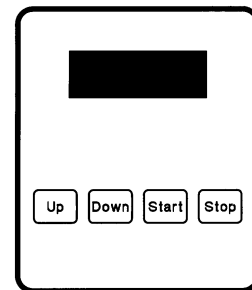
B-Control (International)



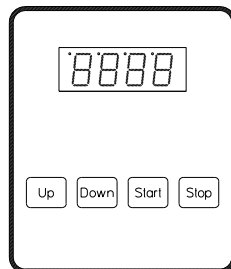
Mechanical Timer



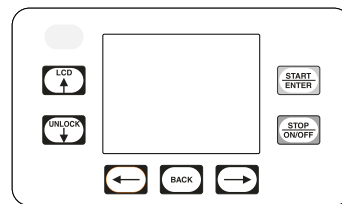
WE-6 Control



S-Computer



V-Computer



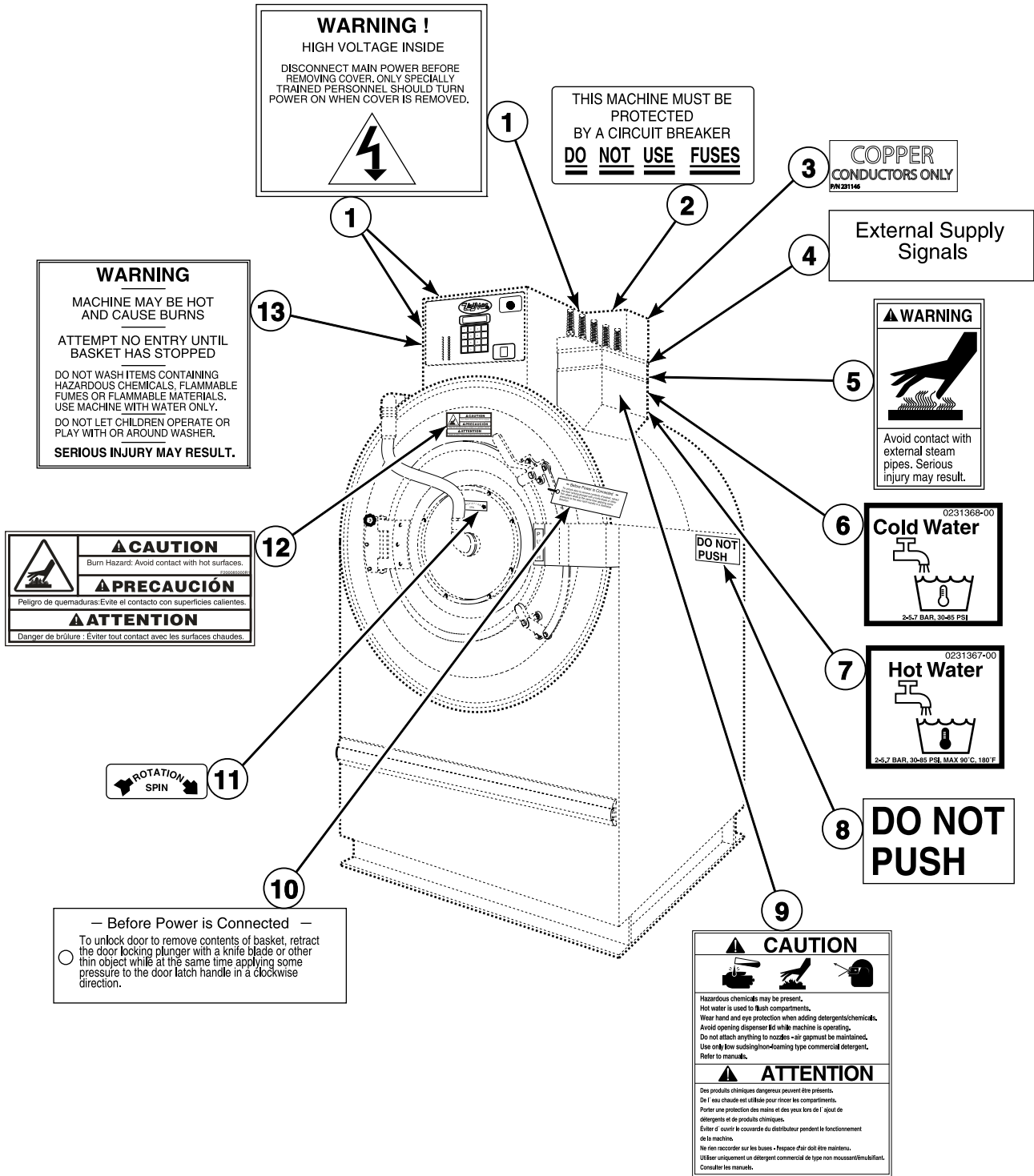
UniLinc Control

PHM2979P_F232149

Pocket Hardmount Washer-Extractor Product Overview

REF	PART NO.	DESCRIPTION	COMMENTS
1	-	Product Family	UW
2	-	Capacity (Pounds)	35 60 80 100 125 150
3	-	Control	A (A-Control) B (B-Control) M (Mechanical Timer) P (WE-6 Control) S (S-Computer) V (V-Computer) T (UniLinc Control)
4	-	Speed	2 (2-Speed) 3 (3-Speed) 4 (4-Speed) V (Variable-Speed)
5	-	Voltage	F (440-480/60/3/3) N (440-480/50-60/3/3) O (208-240/60/3/3) P (380-415/60-60/3/3) Q (200-208/220-240/50/60/3ph) R (380-415/440-480/50/60/3ph) X (200-220/220-240/50/60/1-3) Y (208-240/60/1/2)
6	-	OEM	U (Standard Specs)
7	-	Design Series	1-8

Decals



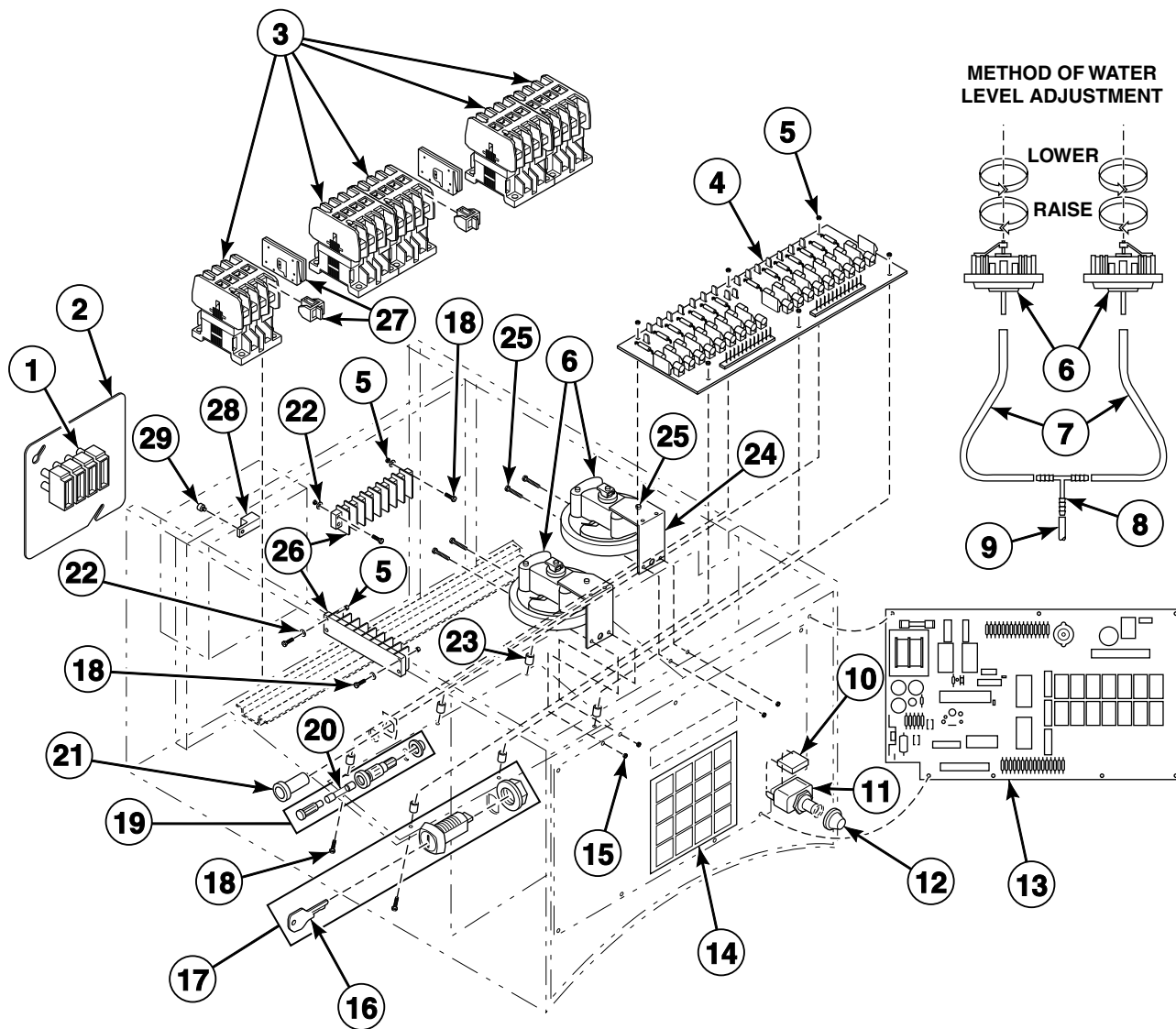
PHM2977P_F232149

Decals

REF	PART NO.	DESCRIPTION	COMMENTS
1	D500316	Warning Label	
2	F230301	This Machine Must Be Protected Decal	
3	F231146	Conductor Decal	
4	F230917-1	External Supply Connection Decal	
5	F231380	Hot Surface Warning Decal	
6	F0231368-00	Cold Water Valve Decal	
7	F0231367-00	Hot Water Valve Decal	
8	F230302	Do Not Push Decal	
9	F231436	Supply Dispenser Hazard Caution Decal	
10	F230501	Before Power Is Connected Tag	
11	F230652	Clockwise Spin Rotation Decal	
12	F200085000	Hot Surface Warning Decal	
13	F231065	Personal Injury Warning Decal	

Control Module - WE-5 Microprocessor

Models UW50P2, UW50P3, UW50P4, UW65P4, UW85P3 and UW85P4



PHM2287P_F232149

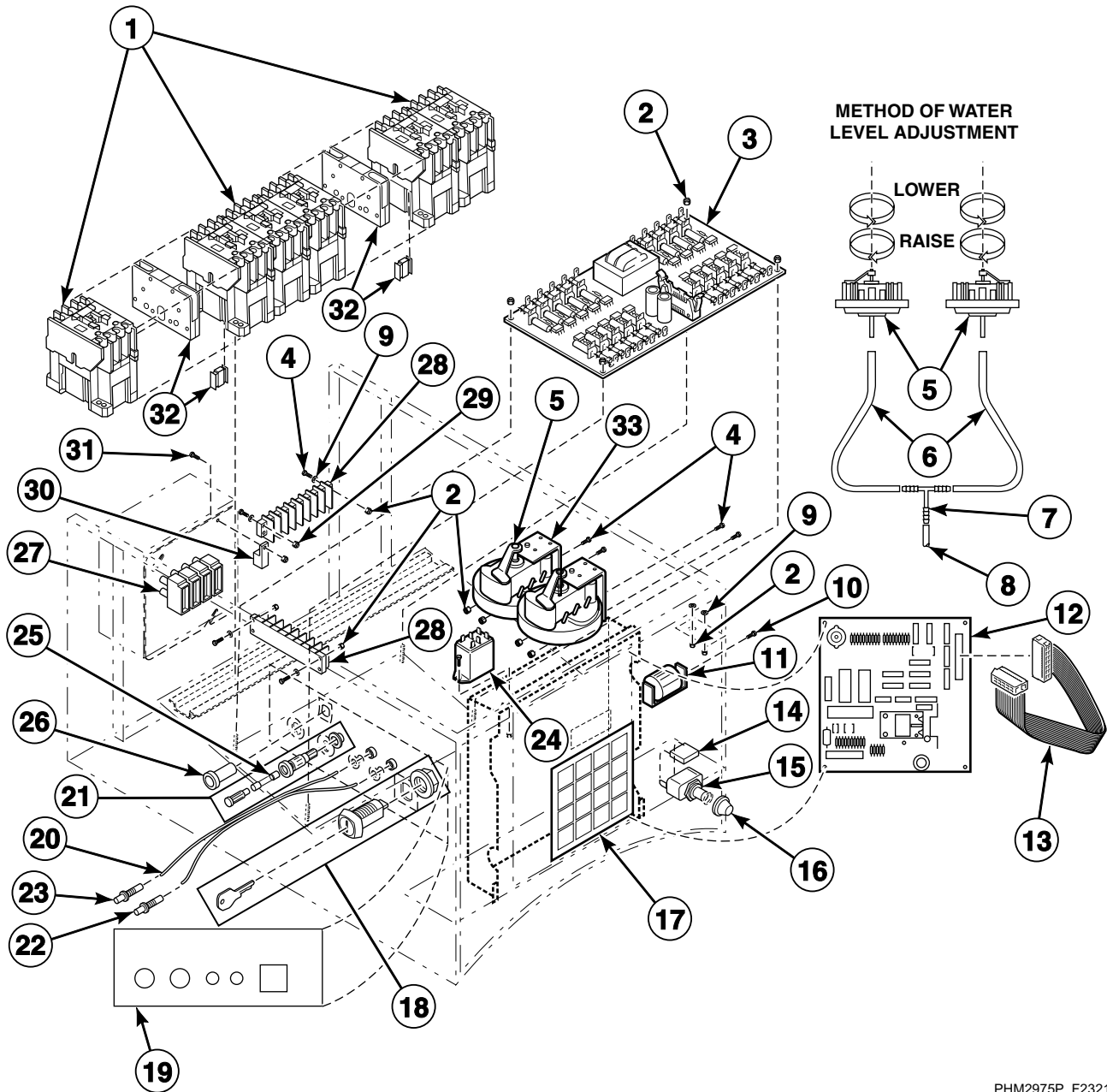
Control Module - WE-5 Microprocessor

REF	PART NO.	DESCRIPTION	COMMENTS
1	F140746	Input Power Block	
2	F140401	Junction Box Cover	
3	F330110P	Contactora	Fwd/Rev; 120 Volt
	F330114	Contactora	Fwd/Rev; 220 Volt
	F330115P	Contactora	Med/High; 120 Volt
	N/A	Contactora	Med/High; 220 Volt
	F603433	Jumper	J4
	F603434	Jumper	J5
4	F350108	Fuse	1/8 Amp
	F730292	Fuse Board Kit	
5	F431022	Nut	
6	F340308P	Water Level Switch	Models UW50P2, UW50P3, UW50P4 and UW65P4
	F340309P	Water Level Switch	Models UW85P3 and UW85P4
7	F422404P	Tubing	
8	F422805	Tee	
9	F020014200	Air Trap Hose	Models UW50P2, UW50P3 and UW50P4
	F200163	Air Trap Hose	Models UW65P4, UW85P3 and UW85P4
10	F330217P	RC Network Filter	Includes F140627 Connector and F141022 Connector
11	F340403P	Switch	
12	F340409	Pushbutton Boot	
13	F370717P	WE-5 Board	
14	F340600P	Microswitch Decal	
15	F431006	Nut	
16	F370705	Programmer Key	
17	F340800P	Keymode Run/Program Switch	
18	F430916	Screw	
19	F350304P	Fuse Holder	Includes item 20
20	F350104	Fuse	2 Amp
21	F350412	Light	Red; 120 Volt
	F350404	Signal Light	Red; 220 Volt
22	F431113	Washer	
23	F431911	Nylon Sleeve	
24	F603912	Level Switch Mounting Bracket	
25	F430928	Screw	
26	F140738	Terminal Strip	
27	F330111	Mechanical Interlock	
28	F140734	Ground Terminal Lug	
29	F430903	Screw	

N/A = Part no longer available

Control Module - WE-6 Microprocessor (Drawing 1 of 3)

Models UW50P2, UW50P3 and UW50P4



PHM2975P_F232149

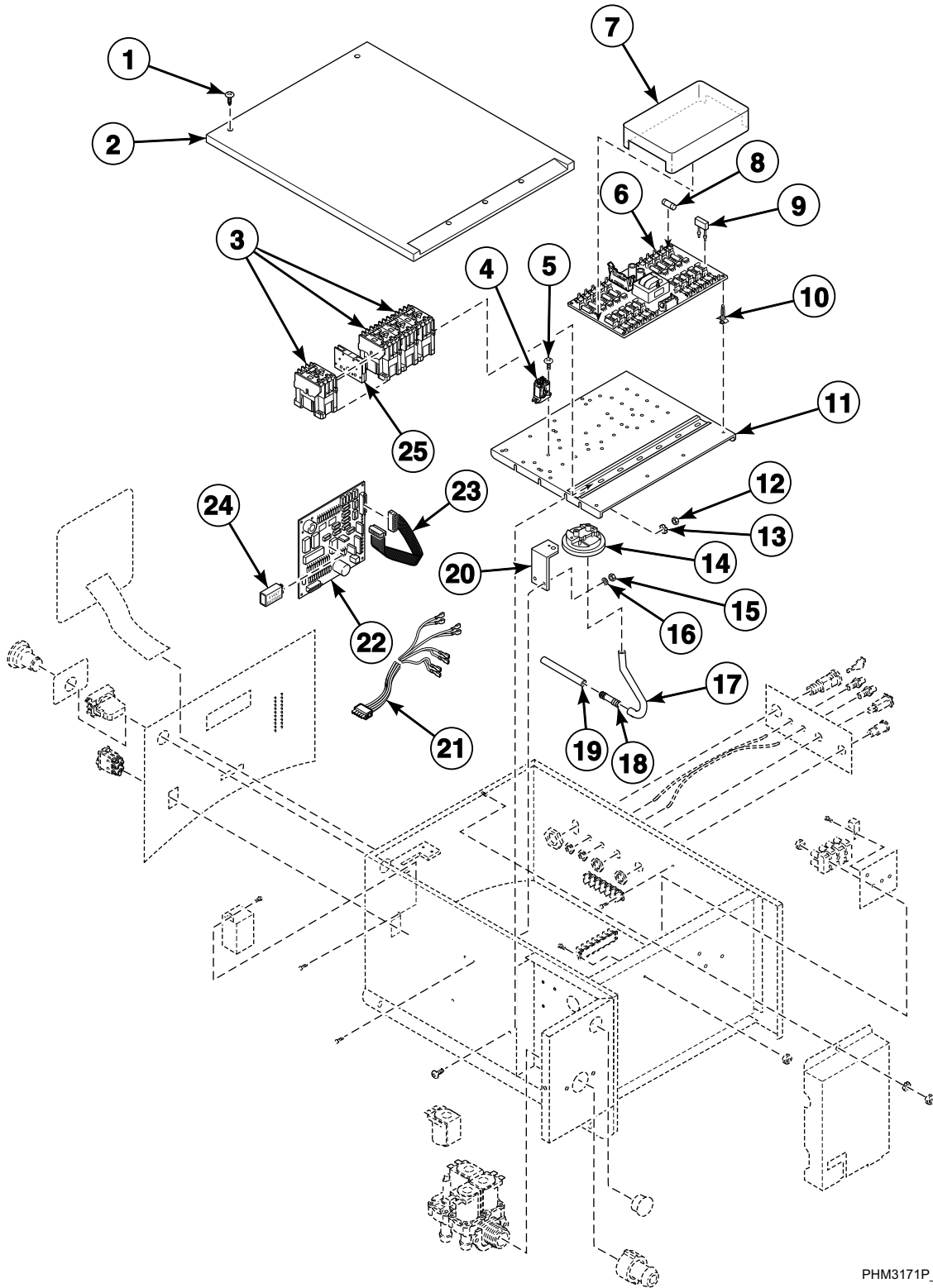
Control Module - WE-6 Microprocessor (Drawing 1 of 3)

REF	PART NO.	DESCRIPTION	COMMENTS
1	F330175P	Contactora	120 Volt; 16 Amp
	F330177P	Contactora	220 Volt; 16 Amp
	F330178P	Contactora	120 Volt; 24 Amp
	F330179P	Contactora	220 Volt; 24 Amp
2	F431022	Nut	
3	F0370444-10P	Output CCA	
4	F430916	Screw	
5	F340308P	Water Level Switch	
6	F422404P	Tubing	
7	F422805	Tee	
8	F200163	Air Trap Hose	
9	F431113	Washer	
10	F430928	Screw	
11	F300203P	Buzzer	120 Volt
	N/A	Buzzer	220 Volt
12	F370534-00P	WE-6 Computer	
13	F140219P	Ribbon Cable	15 inches; Connects output cca to computer
14	F330217P	RC Network Filter	Includes F140627 Connector and F141022 Connector
15	F340403P	Switch	
16	F340409	Pushbutton Boot	
17	F230724P	Keypad Decal	
18	F340800P	Keymode Run/Program Switch	
19	F230678	Keymode Decal	
20	F604713	Cable Assembly	
21	F350304P	Fuse Holder	Includes item 25
22	F140576P	Connector	Blue
23	F140575P	Connector	Gray
24	F330227	Flange Relay	120 Volt
	F330230	Flange Relay	220 Volt
25	F350104	Fuse	2 Amp
26	F350412	Light	Red; 120 Volt
	F350404	Signal Light	Red; 220 Volt
27	F140746	Input Power Block	
28	F140738	Terminal Strip	
29	685846	Nut	
30	F140734	Ground Terminal Lug	
31	F430920	Screw	
32	F330186P	Interlock Contactora	
33	F603912	Level Switch Mounting Bracket	

N/A = Part no longer available

Control Module - WE-6 Microprocessor (Drawing 2 of 3)

Models UW60P2, UW60P3, UW65P4, UW85P3 and UW85P4



PHM3171P_F232149

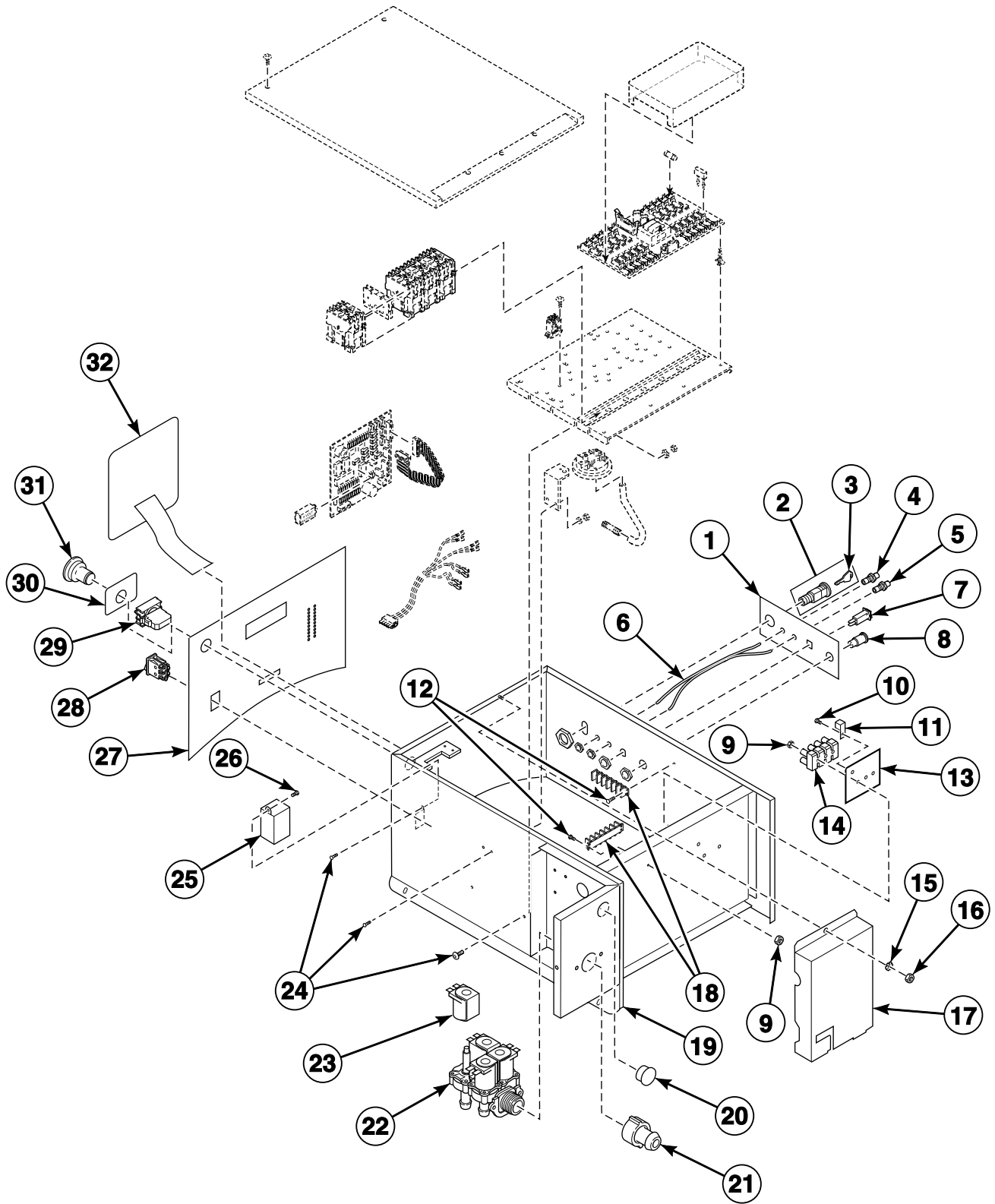
Control Module - WE-6 Microprocessor (Drawing 2 of 3)

REF	PART NO.	DESCRIPTION	COMMENTS
1	F430174	Screw	
2	F606138	Module Cover Assembly	
3	F330175P	Contactora	120 Volt; C16
	F330177P	Contactora	220 Volt; C16
	F330178P	Contactora	120 Volt; C23
	F330179P	Contactora	220 Volt; C23
4	F330227	Flange Relay	120 Volt
	F330230	Flange Relay	220 Volt
5	N/A	Screw	
6	F0370444-10P	Output CCA	120 Volt
	F8321901P	Output CCA	220 Volt
7	N/A	Dust Cover	
8	F350108	Fuse	.125 Amp
	F350109	Fuse	.5 Amp
	F350133	Fuse	1.25 Amp
	F350115	Fuse	3 Amp
9	F330217P	RC Network Filter	Includes F140627 Connector and F141022 Connector
10	F180506	Standoff	
11	F608381	Contactora Mounting Panel Assembly	
12	F430231	Nut	
13	F431108	Washer	
14	F0340347-10P	Water Level Switch	Single level switch configuration
	F340308P	Water Level Switch	Dual level switch configuration
15	F431022	Nut	
16	F431113	Washer	
17	F422404P	Tubing	
18	F422500	Connector	
19	F020014200	Air Trap Hose	
20	F630242	Water Level Switch Bracket	
21	F141870P	Harness Kit	Replaces old style terminal block
22	F370534-00P	WE-6 Computer	
23	F140219P	Ribbon Cable	15 inches; Connects output cca to computer
24	F191101	Battery	
25	F330186P	Interlock Contactora	100-MCA00

N/A = Part no longer available

Control Module - WE-6 Microprocessor (Drawing 3 of 3)

Models UW60P2, UW60P3, UW65P4, UW85P3 and UW85P4



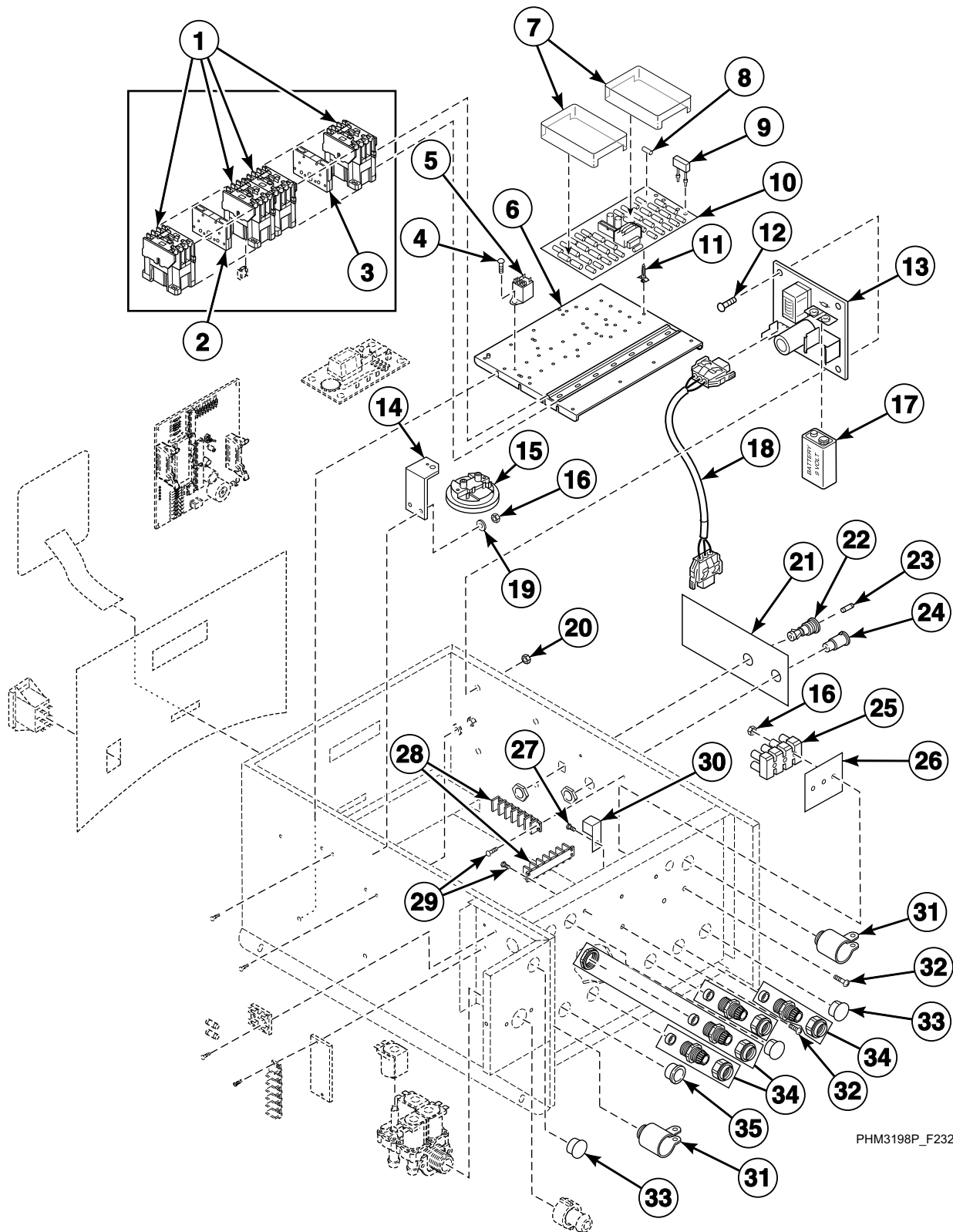
PHM2553P_F232149

Control Module - WE-6 Microprocessor (Drawing 3 of 3)

REF	PART NO.	DESCRIPTION	COMMENTS
1	F230678	Keymode Decal	
2	F340800P	Keymode Run/Program Switch	Includes item 3
3	F370709	Program Key	A153
4	F140575P	Connector	Gray
5	F140576P	Connector	Blue
6	F604713	Cable Assembly	
7	F350210	Circuit Breaker	2 Amp
8	F350412	Light	120 Volt; Red
	F350404	Signal Light	220 Volt; Red
9	F431022	Nut	
10	F430903	Screw	
11	F140734	Ground Terminal Lug	
12	F430916	Screw	
13	F230677	Input Power Connector Decal	
14	F140746	Input Power Block	
15	F431106	Washer	
16	F431000	Nut	
17	F606826	Computer Cover	
18	F140738	Terminal Strip	
19	N/A	Control Module Sub-Assembly	
20	F140527	Plug	
21	F200302	Hose Connector	
22	F380715P	4-Way Valve	120 Volt; Mueller; F380938 Valve Repair Kit
	F380725P	4-Way Valve	220 Volt; Mueller; F380938 Valve Repair Kit
	F381724P	4-Way Valve	120 Volt; Elbi; G581P3 Diaphragm and Guide Kit
	F381723P	4-Way Valve	220 Volt; Elbi; G581P3 Diaphragm and Guide Kit
23	F380900	Coil	120 Volt; Mueller
	F380917	Coil	220 Volt; Mueller
24	F430928	Screw	
25	F300203P	Buzzer	120 Volt
	N/A	Buzzer	220 Volt
26	F430917	Screw	
27	F230721	Control Module Decal	
28	F340412	Momentary Switch	
29	F340445	Contact Block Switch	800E-series
	F200233401P	Contact Block Switch	800F-series; Includes F8069501 Contact Switch and F8538101 Contact Base
	F8069501	Contact Switch	
	F8538101	Contact Base	
	F200233700P	Emergency Stop Button Kit	Used to convert from 800E-series to 800F-series; Includes F200233401 Contact Block Switch and F200233500 Emergency Stop Pushbutton
30	F231083	Emergency Stop Decal	
31	N/A	Emergency Stop Pushbutton	800E-series; Order F200233700P Emergency Stop Button Kit
	F200233500	Emergency Stop Pushbutton	800F-series
32	F230724P	Keypad Decal	

N/A = Part no longer available

Control Module - Models UW60S2 and UW60S3 (Drawing 1 of 2)



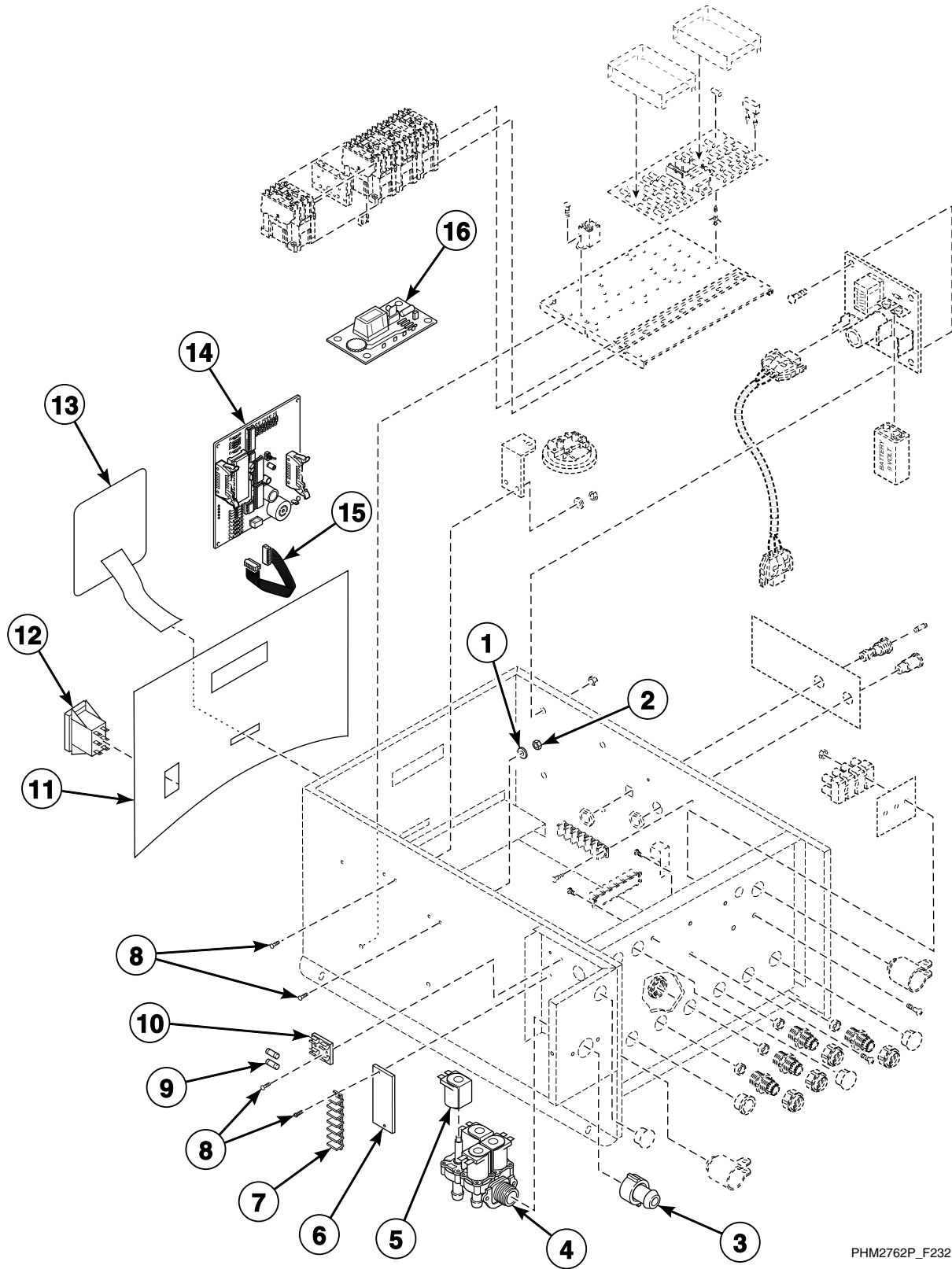
PHM3198P_F232149

Control Module - Models UW60S2 and UW60S3 (Drawing 1 of 2)

REF	PART NO.	DESCRIPTION	COMMENTS
1	F330175P	Contacto	120 Volt; C16
	F330177P	Contacto	220 Volt; C16
	F330178P	Contacto	120 Volt; C23
	F330179P	Contacto	220 Volt; C23
2	F330186P	Interlock Contacto	100-MCA00
3	F330186P	Interlock Contacto	Models through 5/25/00; 100-MCA00
4	N/A	Screw	
5	F330227	Flange Relay	120 Volt
	F330230	Flange Relay	220 Volt
6	F608382	Contacto Mounting Panel Assembly	
7	N/A	Dust Cover	
8	F350108	Fuse	.125 Amp
	F350109	Fuse	.5 Amp
	F350110	Fuse	1 Amp
9	F330217P	RC Network Filter	Includes F140627 Connector and F141022 Connector
10	F370449P	Output Board CCA	120 Volt
	F370450P	Output Board CCA	220 Volt
11	F180506	Standoff	
12	F430910	Screw	
13	F370529P	Battery Adapter Board	
14	F630242	Water Level Switch Bracket	
15	F0340347-10P	Water Level Switch	
16	F431022	Nut	
17	F191101	Battery	
18	F140249	Battery Backup Wire Harness	Battery adapter board; 3 pin
19	F431113	Washer	
20	F430231	Nut	
21	F230678	Keymode Decal	
22	F350304P	Fuse Holder	
23	F350104	Fuse	
24	F350412	Light	120 Volt; Red
	F350404	Signal Light	220 Volt; Red
25	F140746	Input Power Block	
26	F230677	Input Power Connector Decal	
27	F430920	Screw	
28	F140738	Terminal Strip	
29	F430916	Screw	
30	F140734	Ground Terminal Lug	
31	F140311	Squeeze Connector	
32	F430916	Screw	
33	F140527	Plug	
34	F140309	Connector	
35	F140909	Insulator Bushing	

N/A = Part no longer available

Control Module - Models UW60S2 and UW60S3 (Drawing 2 of 2)

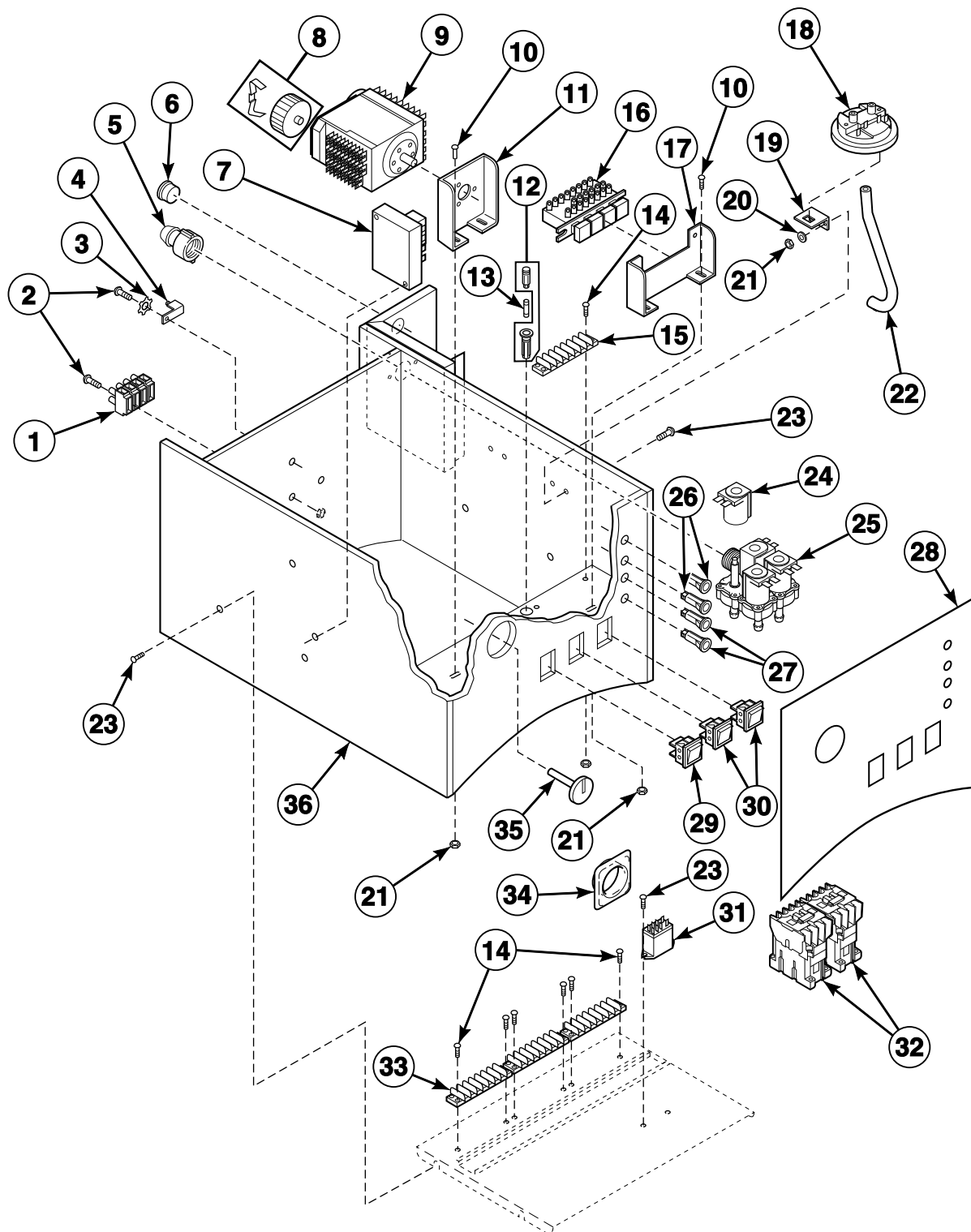


PHM2762P_F232149

Control Module - Models UW60S2 and UW60S3 (Drawing 2 of 2)

REF	PART NO.	DESCRIPTION	COMMENTS
	F141869P	Input Assembly	
1	F431113	Washer	
2	F431022	Nut	
3	F200302	Hose Connector	
4	F380715P	4-Way Valve	120 Volt; Mueller; F380938 Valve Repair Kit
	F380725P	4-Way Valve	220 Volt; Mueller; F380938 Valve Repair Kit
	F381724P	4-Way Valve	120 Volt; Elbi; G581P3 Diaphragm and Guide Kit
	F381723P	4-Way Valve	220 Volt; Elbi; G581P3 Diaphragm and Guide Kit
5	F380900	Coil	120 Volt; Mueller
	F380917	Coil	220 Volt; Mueller
6	F230764-7	External Supply Connection Decal	
7	F140738	Terminal Strip	
8	F430928	Screw	
9	F350115	Fuse	3 Amp
10	F0350312-10	Fuse Holder	
11	F230795	Control Module Decal	
12	F340412	Momentary Switch	
13	F370576P	Keypad	
14	F370555-00P	Computer	
15	F140219P	Ribbon Cable	15 inches; Connects output CCA to computer
16	F370437P	Relay CCA	Model UW60S3

Control Module - Model UW60M2



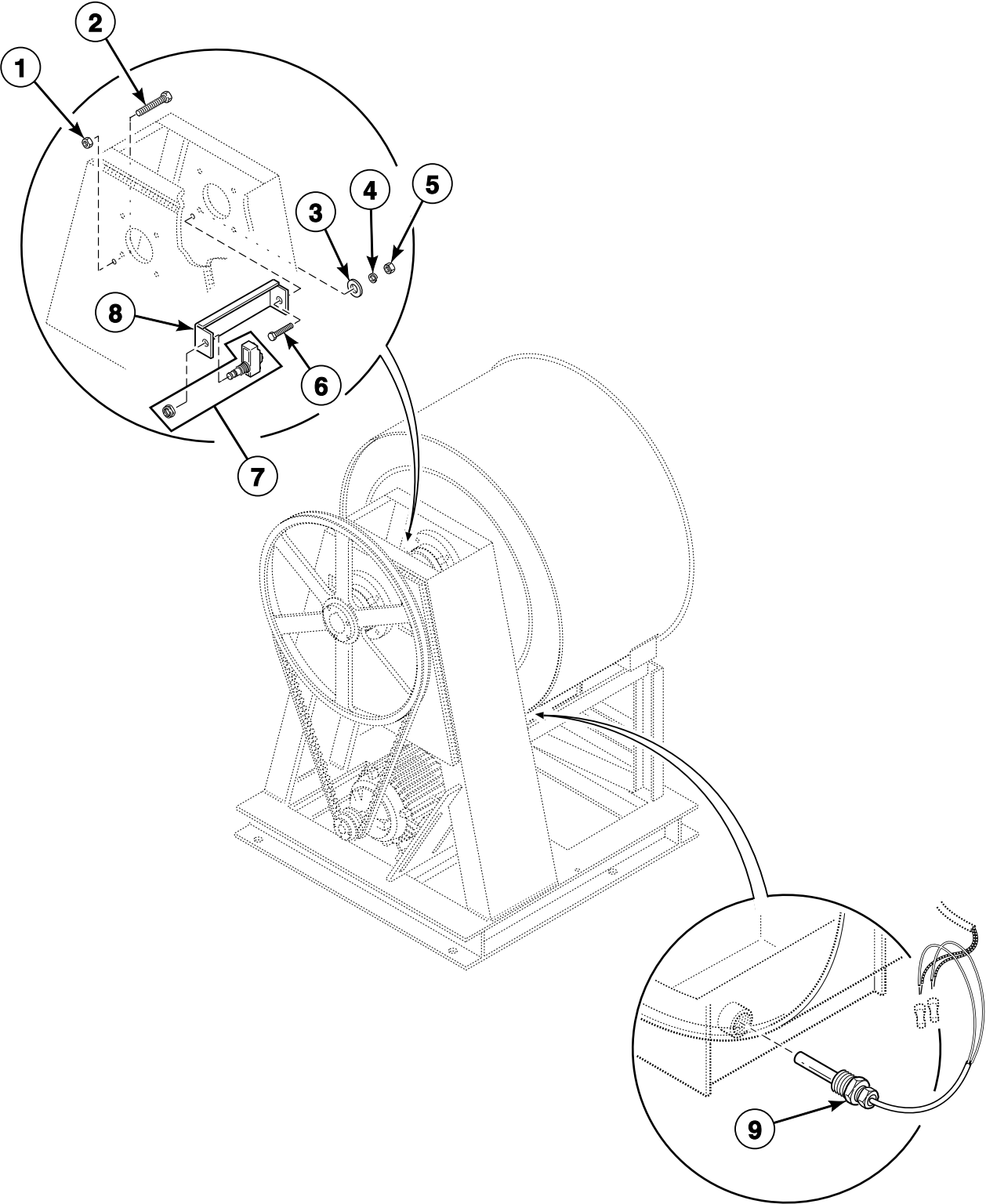
PHM2280P_F232149

Control Module - Model UW60M2

REF	PART NO.	DESCRIPTION	COMMENTS
1	F140746	Input Power Block	
2	F430903	Screw	
3	F431113	Washer	
4	F140734	Ground Terminal Lug	
5	F200302	Hose Connector	
6	F140527	Plug	
7	F330203	Relay	120 Volt; 30 second
	F330206	Relay	220 Volt; 30 second
8	N/A	Motor	120 Volt
	N/A	Motor	220 Volt
9	F160301P	Cycle Timer	120 Volt
	F160304P	Cycle Timer	220 Volt
10	F430928	Screw	
11	F604214	Mounting Bracket	
12	F350304P	Fuse Holder	
13	F350104	Fuse	2 Amp
14	F430916	Screw	
15	F140738	Terminal Strip	
16	F340442	Cycle Selector Switch	
17	F604213	Switch Mounting Bracket	
18	F340316P	Water Level Switch	
19	F630242	Water Level Switch Bracket	
20	F430311	Washer	
21	F431022	Nut	
22	F422404P	Tubing	
23	F430922	Screw	
24	F380900	Coil	120 Volt; Mueller
	F380917	Coil	220 Volt; Mueller
25	F380715P	4-Way Valve	120 Volt; Mueller; F380938 Valve Repair Kit
	F380725P	4-Way Valve	220 Volt; F380938 Valve Repair Kit
	F381724P	4-Way Valve	120 Volt; Elbi; G581P3 Diaphragm and Guide Kit
	F381723P	4-Way Valve	220 Volt; Elbi; G581P3 Diaphragm and Guide Kit
26	F350412	Light	Red; 120 Volt
	F350404	Signal Light	Red; 220 Volt
27	F350411	Light	Amber; 120 Volt
	F350413	Light	Amber; 220 Volt
28	F230687	Control Module Decal	
29	F340411	Rocker Switch	Red
30	F340412	Momentary Switch	White
31	F330227	Flange Relay	120 Volt
	F330230	Flange Relay	220 Volt
32	F330175P	Contactora	120 Volt; C16
	F330177P	Contactora	220 Volt; C16
33	F140738	Terminal Strip	
34	F150310	Timer Glass	
35	F150378	Timer Cycle Indicator	
36	N/A	Control Module Sub-Assembly	

N/A = Part no longer available

Balance Switch and Temperature Probe

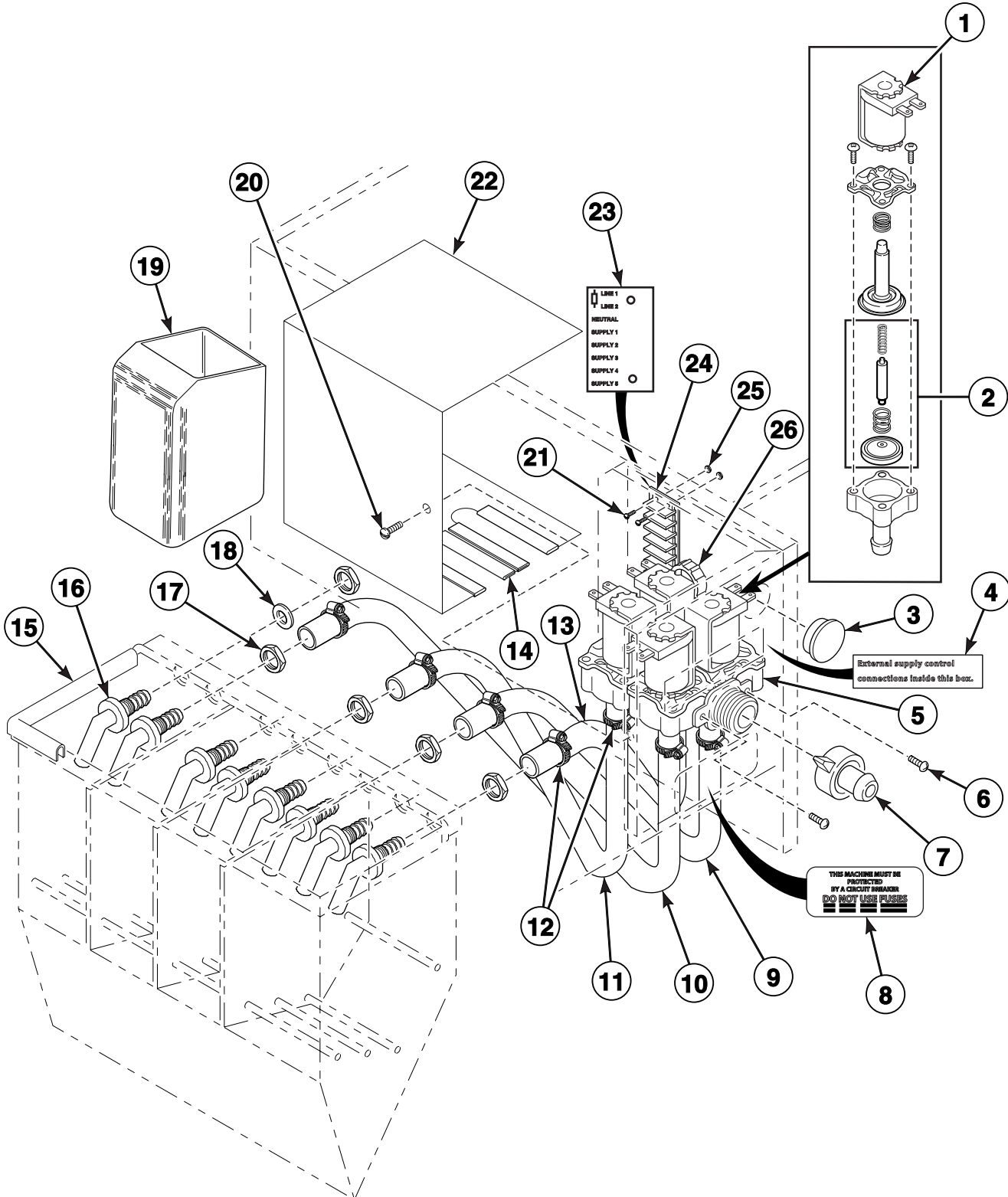


U057P_F232149

Balance Switch and Temperature Probe

REF	PART NO.	DESCRIPTION	COMMENTS
1	H88412101	Nut	
2	F430124	Screw	
3	M400081	Washer	
4	M400014	Washer	
5	20274	Nut	
6	800461	Screw	Models UW60M2, UW60P2, UW60P3, UW60S2 and UW60S3
	F430900	Screw	Models UW50P2, UW50P3, UW50P4, UW65P4, UW85P3 and UW85P4
7	F340900	Interlock Switch	Models UW60M2, UW60P2, UW60P3, UW60S2 and UW60S3
	F340906	Microswitch	Models UW50P2, UW50P3, UW50P4, UW65P4, UW85P3 and UW85P4
8	F601750	Balance Switch Bracket	
9	F370606P	Temperature Probe	

Stainless Steel Soap Dispenser Supply Plumbing



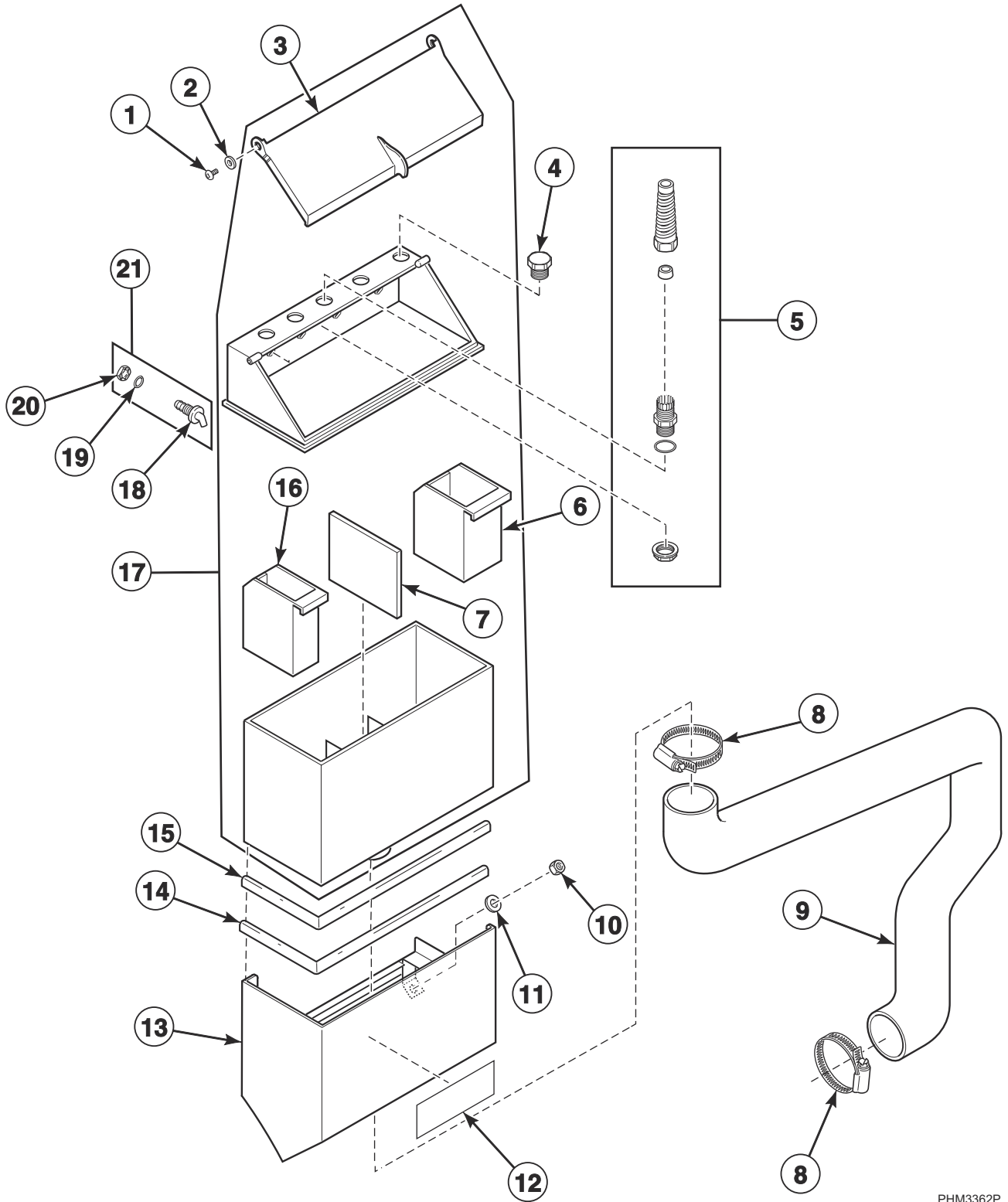
PHM2587P_F232149

Stainless Steel Soap Dispenser Supply Plumbing

REF	PART NO.	DESCRIPTION	COMMENTS
1	F380900	Coil	120 Volt
	F380917	Coil	220 Volt
2	F380938	Valve Repair Kit	Mueller
	G582P3	Diaphragm and Guide Kit	Elbi
3	F140527	Plug	
4	F230606	External Supply Control Decal	
5	F380715P	4-Way Valve	120 Volt; Mueller
	F380725P	4-Way Valve	220 Volt; Mueller
	F381724P	4-Way Valve	120 Volt; Elbi; G581P3 Diaphragm and Guide Kit
	F381723P	4-Way Valve	220 Volt; Elbi; G581P3 Diaphragm and Guide Kit
6	F430948	Screw	
7	F200302	Hose Connector	
8	F230301	This Machine Must Be Protected Decal	
9	F610398	Hose	Models UW50P2, UW50P3 and UW50P4; 17 inch
	F200110P	Water Hose	Models UW60M2, UW60P2, UW60P3, UW60S2, UW60S3, UW65P4, UW85P3 and UW85P4
10	F610086	Hose	Models UW50P2, UW50P3 and UW50P4; 18.5 inch
	F200110P	Water Hose	Models UW60M2, UW60P2, UW60P3, UW60S2, UW60S3, UW65P4, UW85P3 and UW85P4
11	F610088	Hose	Models UW50P2, UW50P3 and UW50P4; 23 inch
	F200110P	Water Hose	Models UW60M2, UW60P2, UW60P3, UW60S2, UW60S3, UW65P4, UW85P3 and UW85P4
12	36801	Hose Clamp	No. 6
13	F610196	Hose	Models UW50P2, UW50P3 and UW50P4; 12 inch
	F200110P	Water Hose	Models UW60M2, UW60P2, UW60P3, UW60S2, UW60S3, UW65P4, UW85P3 and UW85P4
14	F170402P	Gasket	
15	F170400RP	Trim	
16	F8322001	Injection Nozzle	
	F730168	Injection Nozzle Kit	Includes items 17 and 18
17	802292	Nut	
18	801632	O-Ring	
19	F603411	Soap Supply Cup	
20	F430152	Screw	
21	F430916	Screw	
22	F603650	Supply Valve Cover	
23	F230764-1	External Supply Connection Decal	UW50 A, B and L-voltage models
	F0230764-02	External Supply Connection Decal	UW50 C-voltage models
	N/A	External Supply Connection Decal	UW50 G, I and W-voltage models
	N/A	External Supply Connection Decal	UW50 D, E and J-voltage models
	F230764-7	External Supply Connection Decal	UW50 K, O and Y-voltage models
	N/A	External Supply Connection Decal	UW50 F, H, M and S-voltage models
	F230622	External Supply Decal	UW60, UW65 and UW85 models
24	F140738	Terminal Strip	
25	F431022	Nut	
26	F140909	Insulator Bushing	

N/A = Part no longer available

Polypropylene Supply Dispenser - UW60, UW65 and UW85 Models

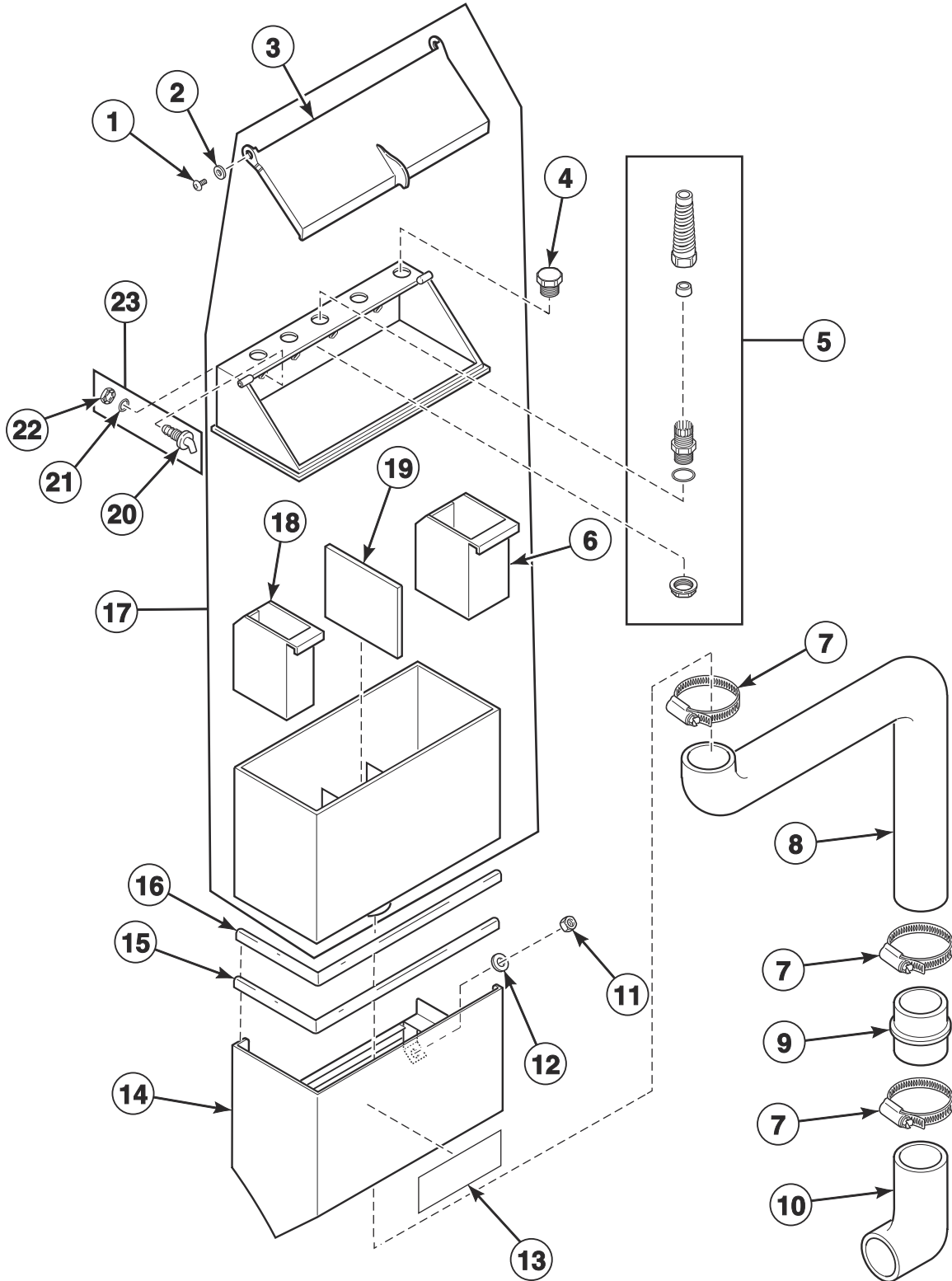


PHM3362P

Polypropylene Supply Dispenser - UW60, UW65 and UW85 Models

REF	PART NO.	DESCRIPTION	COMMENTS
1	F430917	Screw	
2	F8195301	Washer	
3	F0150514-00	Dispenser Lid	
4	F190304	Plug Cap	
5	F749802	Strain Relief Adapter Kit	Includes items 6 and 7
6	F150386	Chemical Supply Cup	32 ounce; 2 used
7	F0150525-00	Supply Dispenser Spacer	
8	F200213	Hose Clamp	Models UW60M2, UW60P2, UW60P3, UW60S2, UW60S3, UW65P4, UW85P3 and UW85P4; No. 40
9	F150469	Chemical Supply Hose	Models UW60M2, UW60P2, UW60P3, UW60S2, UW60S3 and UW65P4
	F150471	Chemical Supply Hose	Models UW85P3 and UW85P4
10	F431042	Nut	
11	F431147	Washer	
12	F231436	Supply Dispenser Hazard Caution Decal	
13	F8024301	Soap Dispenser Shroud Weldment	
14	F170158P	Gasket	
15	F170400RP	Trim	
16	F150385	Chemical Supply Cup	20 ounce; 3 used
17	F0150512-00P	Dispenser Assembly	Includes items 3, 8, 9 and 18
18	F8322001	Injection Nozzle	
19	801632	O-Ring	
20	802292	Nut	
21	F730168	Injection Nozzle Kit	Includes items 20-22

Supply Dispenser - UW50 Models

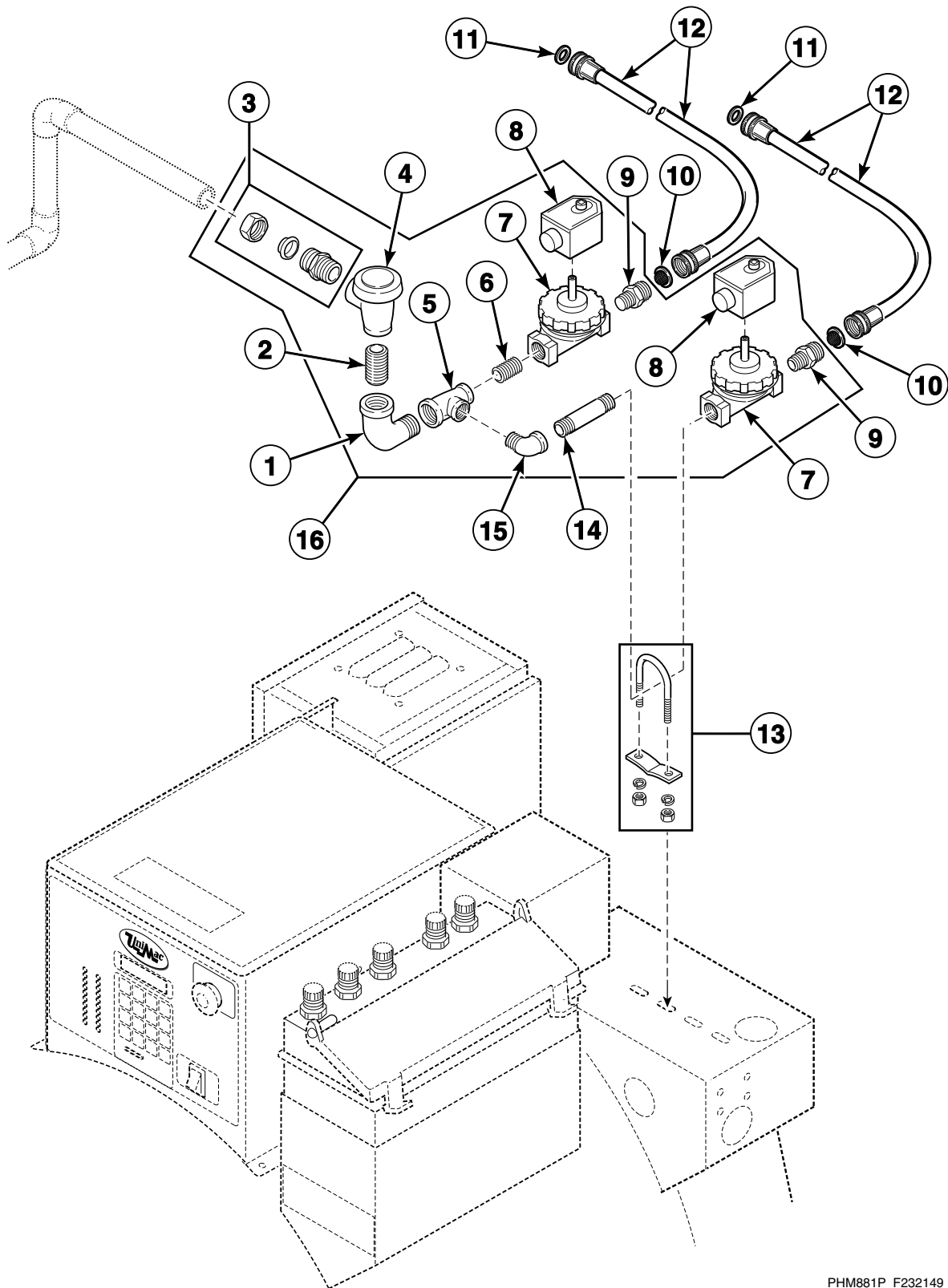


PHM3363P

Supply Dispenser - UW50 Models

REF	PART NO.	DESCRIPTION	COMMENTS
1	F430917	Screw	
2	F8195301	Washer	
3	F0150514-00	Dispenser Lid	
4	F190304	Plug Cap	
5	F749802	Strain Relief Adapter Kit	Includes items 6 and 7
6	F150386	Chemical Supply Cup	32 ounce; 2 used
7	F200213	Hose Clamp	No. 40
8	F150392	Chemical Supply Hose	
9	F0602364-06	Pipe	
10	F150391	Lower Hose	
11	F431042	Nut	
12	F431147	Washer	
13	F231436	Supply Dispenser Hazard Caution Decal	
14	F8024301	Soap Dispenser Shroud Weldment	
15	F170158P	Gasket	
16	F170400RP	Trim	
17	F0150512-00P	Dispenser Assembly	Includes items 3, 8, 20 and 21
18	F150385	Chemical Supply Cup	20 ounce; 3 used
19	F0150525-00	Supply Dispenser Spacer	
20	F8322001	Injection Nozzle	
21	801632	O-Ring	
22	802292	Nut	
23	F730168	Injection Nozzle Kit	Includes items 22-24

Spray Plumbing - Models UW60M2, UW60P2, UW60P3, UW60S2 and UW60S3

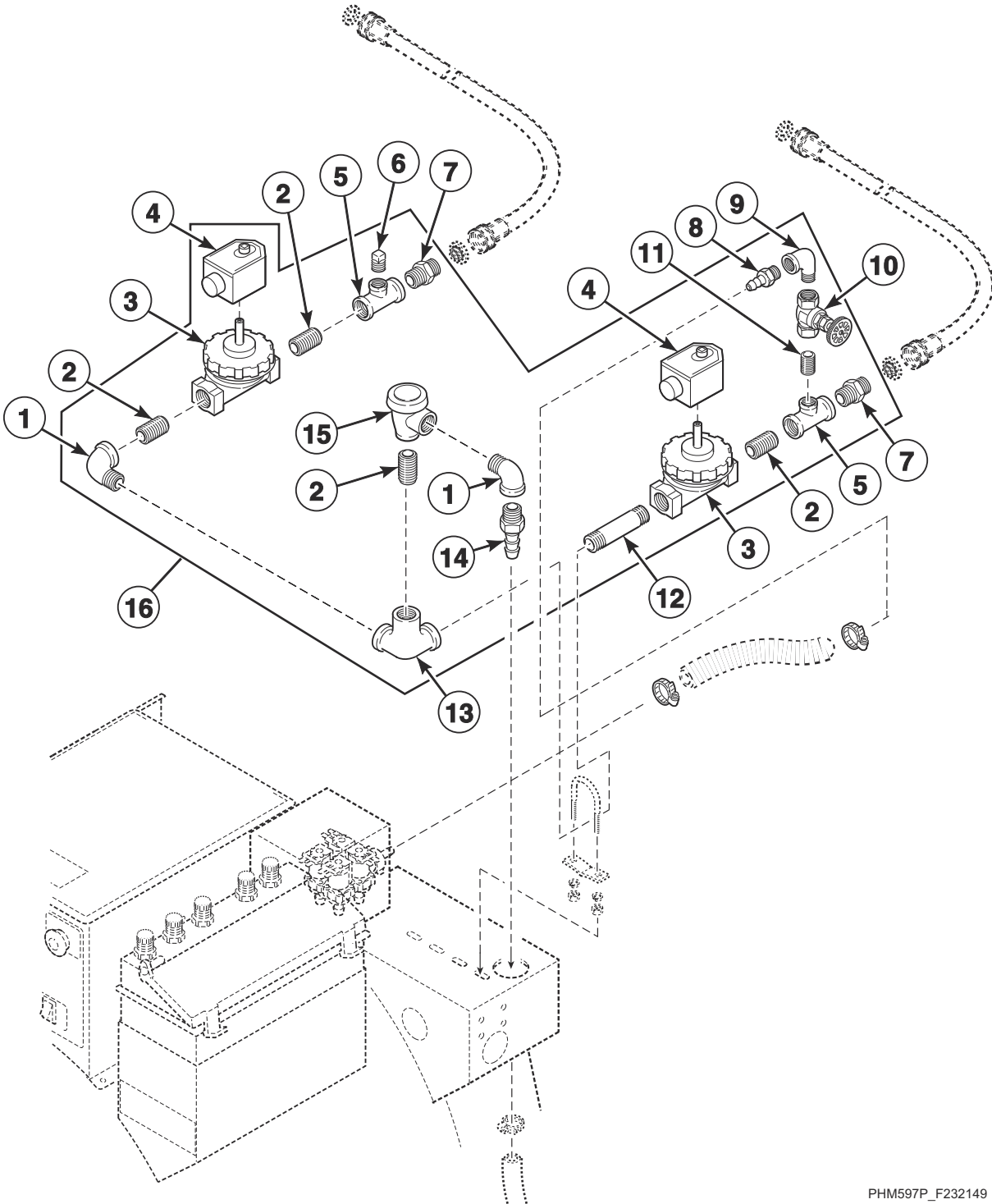


PHM881P_F232149

Spray Plumbing - Models UW60M2, UW60P2, UW60P3, UW60S2 and UW60S3

REF	PART NO.	DESCRIPTION	COMMENTS
	F8382301	DIN Valve Adapter Kit	Use with F8322806 and F8322803 Valve
	F8379503P	Valve Transition Kit	Use with F8322806 and F8322803 Valve
1	F420502	Street Elbow	
2	F420105	Nipple	
3	F422106	Tube Connector	
4	F380800P	Vacuum Breaker Valve	3/4 inch; F380965P Repair Kit
5	F420401	Tee	
6	F420101	Nipple	
7	F8322806	Valve	120 Volt; Replaces F381702P Valve; Includes F8514701 Coil
	F8322803P	Valve	220 Volt; Replaces F381703P Valve; Includes F8514601 Coil
	F141901P	DIN Harness Assembly	
	F380993P	Valve Repair Kit	1/2 inch
	F8735003	Valve	1/2 inch; 120 Volt; Viton
8	F380986P	DIN Coil	120 Volt
	F8514701	Coil	120 Volt; Use with F8322806 Valve
	F380987P	DIN Coil	220 Volt
	F8514601P	Coil	220 Volt; Use with F8322803 Valve
9	F421908	Hose Adapter	Standard thread
	F421949	Nipple	Metric thread
10	803615	Washer	
11	20290	Washer	
12	F200164	Water Hose	Standard thread
	F200166	Water Hose	Metric thread
13	F200401P	U-Bolt Clamp	
14	F420103	Nipple	
15	F420500	Street Elbow	
16	F633150	Spray Plumbing Assembly	120 Volt; Includes items 1-9, 14 and 15
	F633150-1	Spray Plumbing Assembly	220 Volt; Includes items 1-9, 14 and 15
	F633150-2	Spray Plumbing Assembly	120 Volt; Brass option; Includes items 1-9, 14 and 15
	F633150-3	Spray Plumbing Assembly	220 Volt; Brass option; Includes items 1-9, 14 and 15
	F633150-4	Spray Plumbing Assembly	120 Volt; Metric thread; Includes items 1-9, 14 and 15
	F633150-5	Spray Plumbing Assembly	220 Volt; Metric thread; Includes items 1-9, 14 and 15
	F8670901	Spray Plumbing Assembly	120 Volt; Gthd and brass option; Includes items 1-9, 14 and 15
	F633150-7	Spray Plumbing Assembly	220 Volt; Metric thread and brass option; Includes items 1-9, 14 and 15

Fill Plumbing - Models UW60M2, UW60P2, UW60P3, UW60S2 and UW60S3 (Drawing 1 of 2)

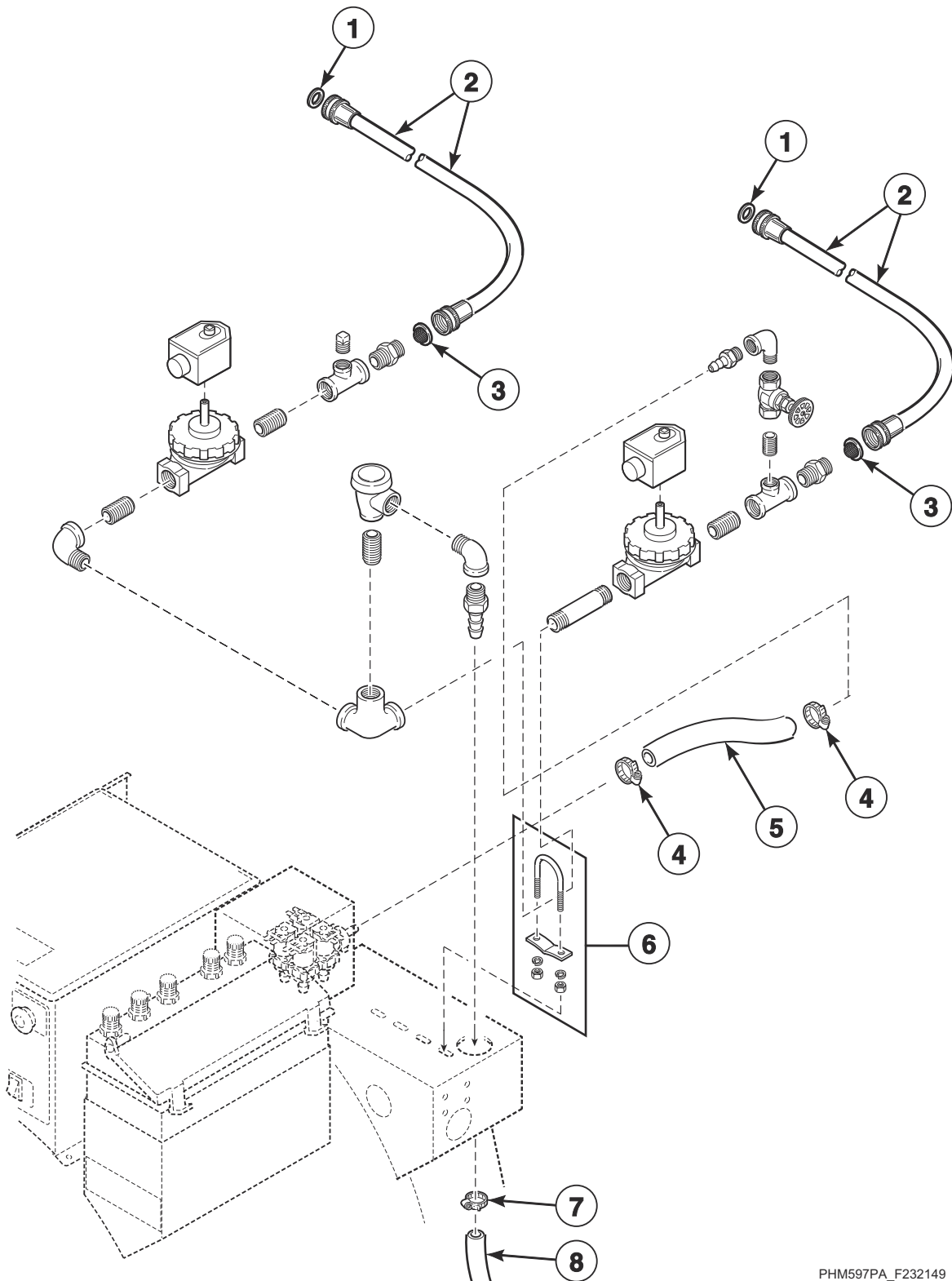


PHM597P_F232149

Fill Plumbing - Models UW60M2, UW60P2, UW60P3, UW60S2 and UW60S3 (Drawing 1 of 2)

REF	PART NO.	DESCRIPTION	COMMENTS
	F8382301	DIN Valve Adapter Kit	Use with F8322909 and F8322905 Valve
	F8379504	Valve Rebuild Kit	Use with F8322909 Valve
	F8379502	Valve Rebuild Kit	Use with F8322905 Valve
	F8735006	Valve Rebuild Kit	3/4 inch; Viton
1	F420502	Street Elbow	
2	F420105	Nipple	
3	F8322909P	Valve	120 Volt; Replaces F381700P Valve; Includes F8514701 Coil
	F8322905P	Valve	220 Volt; Replaces F381701P Valve; Includes F8514601 Coil; For models that have been upgraded with F8512801 DIN Valve Kit
	F8521801	DIN Valve Kit	220 Volt; Replaces F381701P Valve; Includes F8322905 Valve, F8382301 DIN Valve Adapter Kit and F8514601 Coil
	F141901P	DIN Harness Assembly	
	F380991P	Water Valve Repair Kit	3/4 inch
	F8735002	Valve	3/4 inch; 220 Volt; Viton
	F8735004	Valve	1/2 inch; 120 Volt; Viton
4	F380986P	DIN Coil	120 Volt
	F8514701	Coil	120 Volt; Use with F8322909 Valve
	F380987P	DIN Coil	220 Volt
	F8514601P	Coil	220 Volt; Use with F8322905 Valve
5	F420402	Tee	
6	F420408	Plug	
7	F421909	Hose Adapter	Standard thread
	F8265701	Adapter	Metric thread
8	F421964	Hose Barb	
9	F420500	Street Elbow	
10	F380500	Gate Valve	
11	F420101	Nipple	
12	F420107	Nipple	
13	F420509	Elbow	
14	F421951	Hose Barb	
15	F380800P	Vacuum Breaker Valve	F380965P Repair Kit
16	F633146	Fill Plumbing Assembly	120 Volt; Includes items 1-15
	F633146-1	Fill Plumbing Assembly	220 Volt; Includes items 1-15
	F633146-2	Fill Plumbing Assembly	120 Volt; Brass option; Includes items 1-15
	F633146-3	Fill Plumbing Assembly	220 Volt; Brass option; Includes items 1-15
	F633146-4	Fill Plumbing Assembly	120 Volt; Metric thread; Includes items 1-15
	F633146-5	Fill Plumbing Assembly	220 Volt; Metric thread; Includes items 1-15
	F633146-6	Fill Plumbing Assembly	120 Volt; Metric thread and brass option; Includes items 1-15
	F633146-7	Fill Plumbing Assembly	220 Volt; Metric thread and brass option; Includes items 1-15

Fill Plumbing - Models UW60M2, UW60P2, UW60P3, UW60S2 and UW60S3 (Drawing 2 of 2)

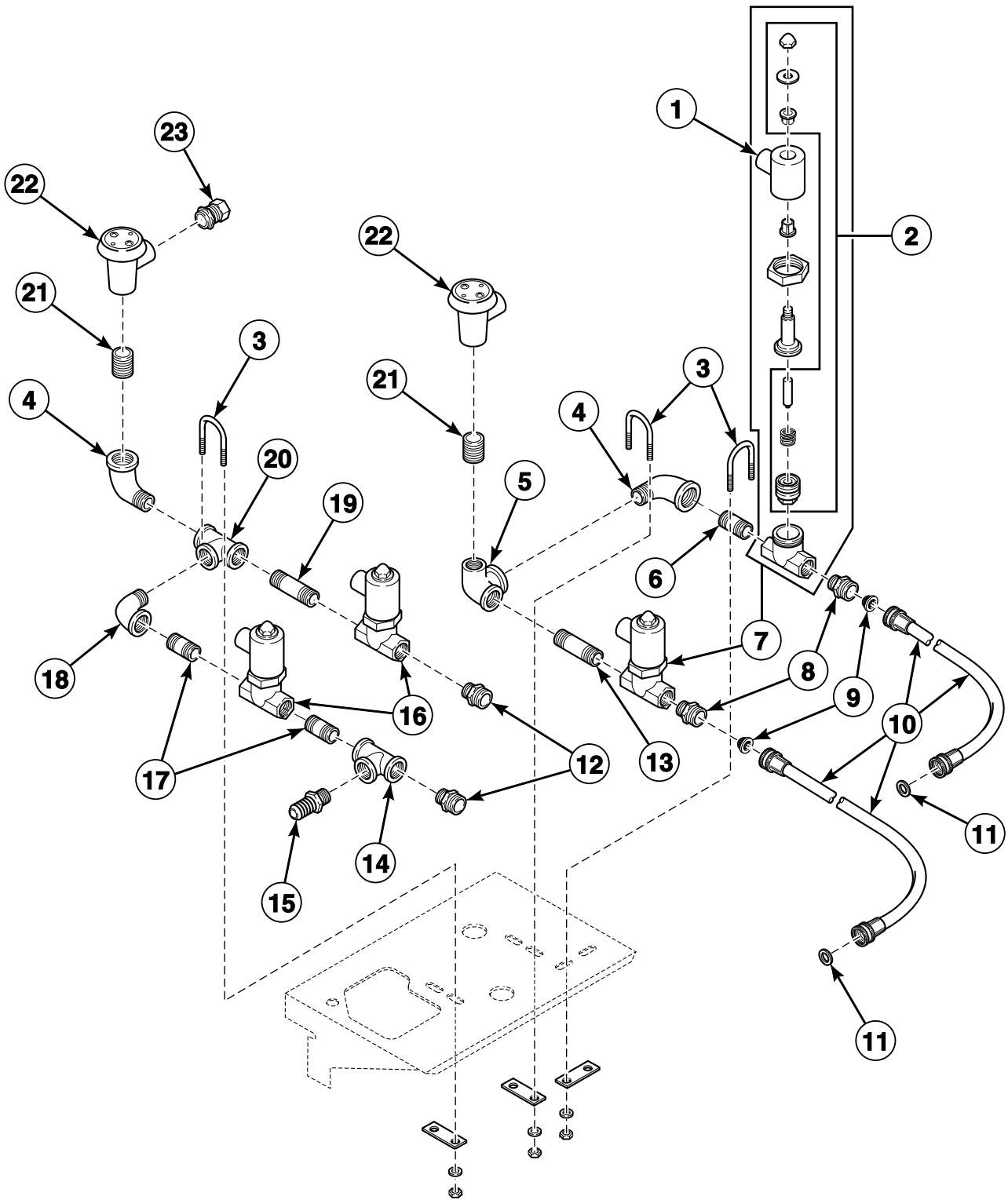


PHM597PA_F232149

Fill Plumbing - Models UW60M2, UW60P2, UW60P3, UW60S2 and UW60S3 (Drawing 2 of 2)

REF	PART NO.	DESCRIPTION	COMMENTS
1	20290	Washer	
2	F200164	Water Hose	Standard thread
	F200166	Water Hose	Metric thread
3	803615	Washer	
4	F200206	Hose Clamp	No. 4
5	F200108P	Water Hose	
6	F200412	U-Bolt Clamp	
7	F200222	Hose Clamp	No. 12
8	F200104P	Hose	

Spray and Fill Plumbing - 3/4 Inch Valves; Models UW50P2, UW50P3, UW50P4 and UW65P4



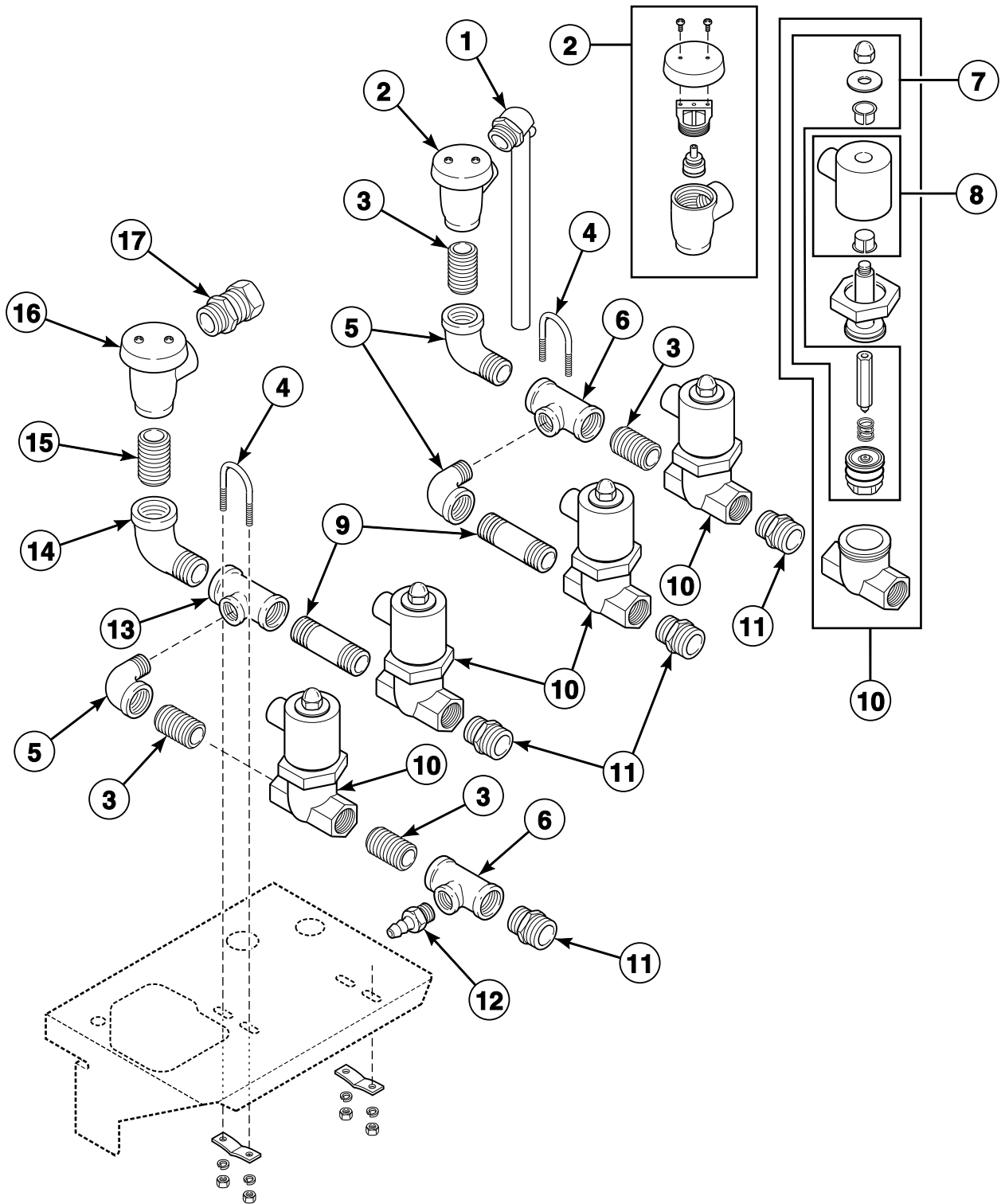
PHM2327P_F232149

Spray and Fill Plumbing - 3/4 Inch Valves; Models UW50P2, UW50P3, UW50P4 and UW65P4

REF	PART NO.	DESCRIPTION	COMMENTS
1	F380901P	Coil	
2	F380915P	Repair Kit	
3	F200401P	U-Bolt Clamp	Includes hardware
4	F420502	Street Elbow	
5	F420509	Elbow	
6	N/A	Nipple	
7	F380702P	Solenoid Valve	3/4 inch; F380915P Repair Kit
8	F421909	Hose Adapter	
9	803615	Washer	
10	F200164	Water Hose	Standard thread
	F200166	Water Hose	Metric thread
11	20290	Washer	
12	F421908	Hose Adapter	
13	F420108	Nipple	
14	F420400	Tee	
15	F421903	Adapter	
16	F380700P	Solenoid Valve	1/2 inch; F380914P Repair Kit
17	F420101	Nipple	
18	F420500	Street Elbow	
19	F420103	Nipple	
20	F420401	Tee	
21	F420105	Nipple	
22	F380800P	Vacuum Breaker Valve	
23	F422106	Tube Connector	

N/A = Part no longer available

Spray and Fill Plumbing - 1/2 Inch Valves; Models UW50P2, UW50P3 and UW50P4

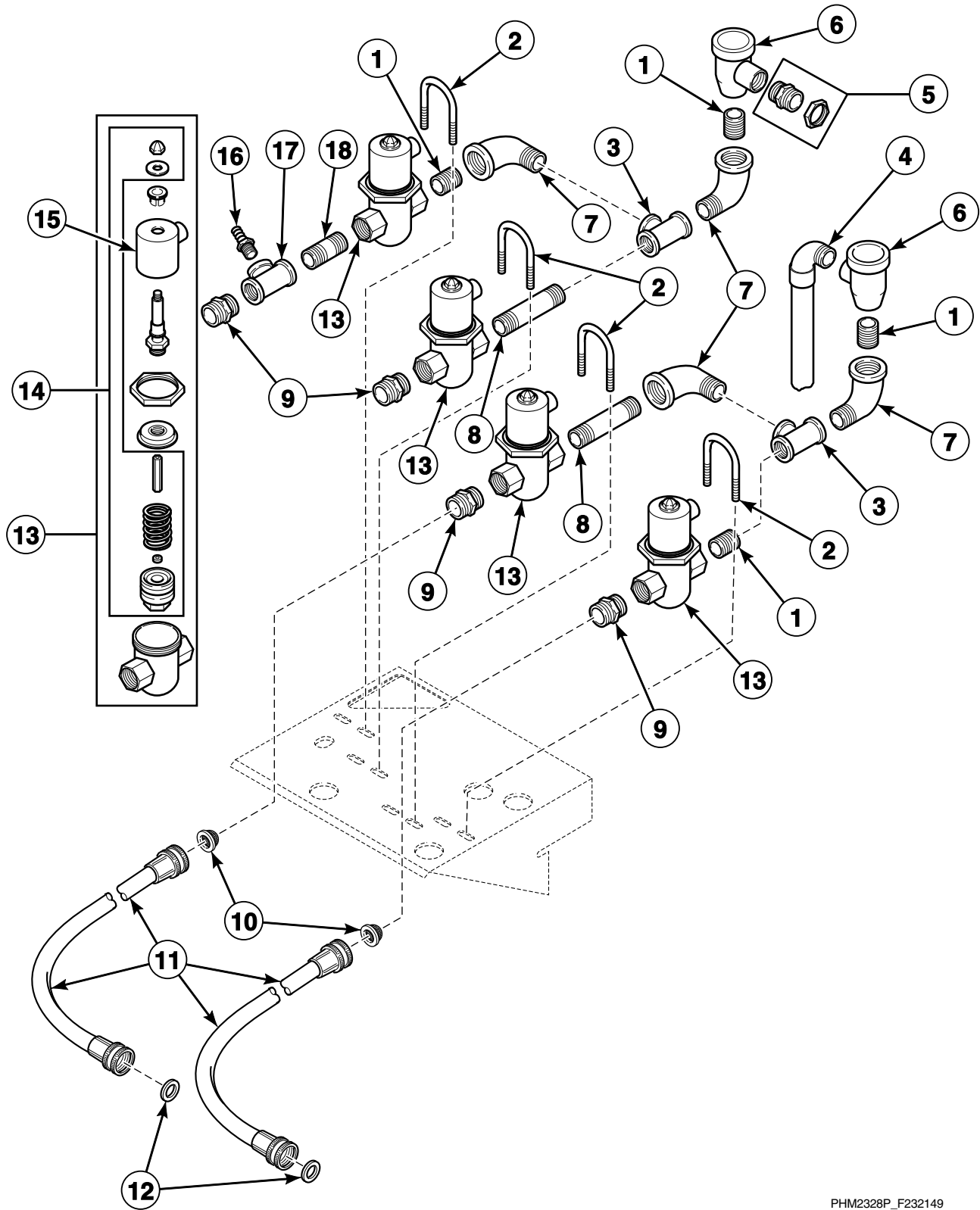


PHM315P_F232149

Spray and Fill Plumbing - 1/2 Inch Valves; Models UW50P2, UW50P3 and UW50P4

REF	PART NO.	DESCRIPTION	COMMENTS
1	F610261	Top Fill Assembly	
2	F380801P	Antisiphon Valve	
3	F420101	Nipple	
4	F200401P	U-Bolt Clamp	Includes spacer, washers and nuts
5	F420500	Street Elbow	
6	F420400	Tee	
7	F380914P	Repair Kit	
8	F380901P	Coil	120 Volt
	F380902P	Coil	220 Volt
9	F420103	Nipple	
10	F380700P	Solenoid Valve	120 Volt
	F380701P	Solenoid Valve	220 Volt
11	F421908	Hose Adapter	
12	F421903	Adapter	
13	F420401	Tee	
14	F420502	Street Elbow	
15	F420105	Nipple	
16	F380800P	Vacuum Breaker Valve	
17	F422106	Tube Connector	

Spray and Fill Plumbing - Models UW85P3 and UW85P4



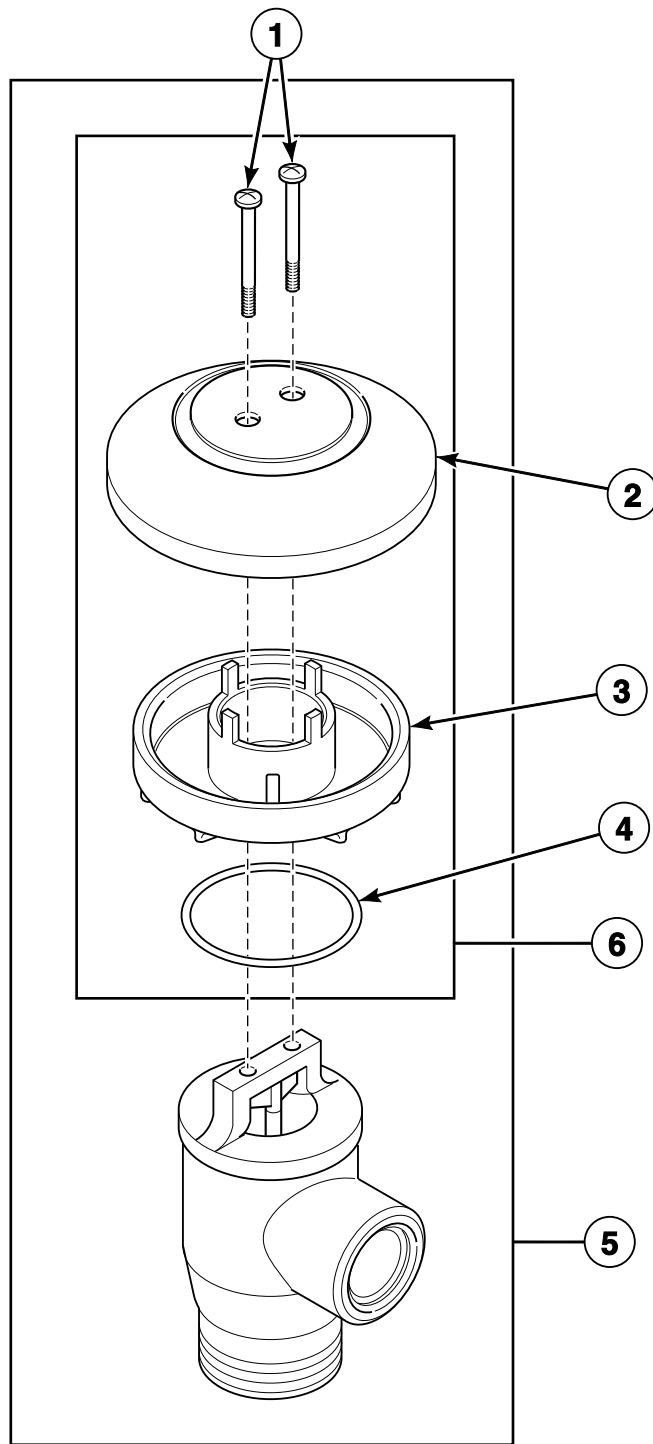
PHM2328P_F232149

Spray and Fill Plumbing - Models UW85P3 and UW85P4

REF	PART NO.	DESCRIPTION	COMMENTS
1	F420105	Nipple	
2	N/A	U-Bolt Clamp	
3	F420403	Tee	
4	F610260	Top Fill Assembly	
5	N/A	Fluid Connector	
6	F380800P	Vacuum Breaker Valve	
7	F420502	Street Elbow	
8	F420108	Nipple	
9	F421909	Hose Adapter	
10	803615	Washer	
11	F200164	Water Hose	Standard thread
	F200166	Water Hose	Metric thread
12	20290	Washer	
13	F380702P	Solenoid Valve	
14	F380915P	Repair Kit	
15	F380901P	Coil	
16	F421930	Hose Barb	
17	F420402	Tee	
18	N/A	Nipple	

N/A = Part no longer available

Vacuum Breaker Assembly with Leak Containment Kit

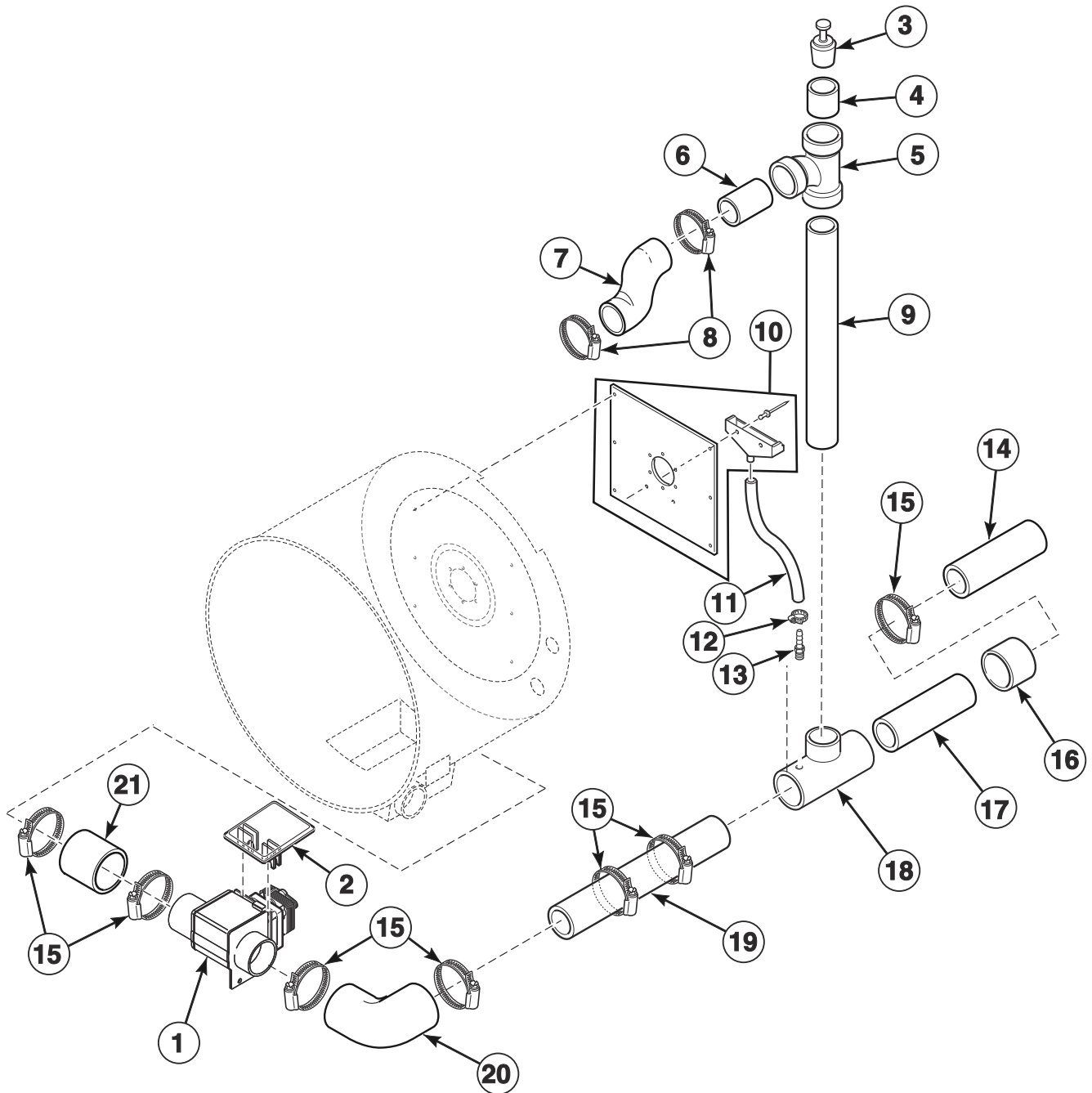


PHM2208P_F232149

Vacuum Breaker Assembly with Leak Containment Kit

REF	PART NO.	DESCRIPTION	COMMENTS
1	F430938	Screw	
2	F0380808-00	Vacuum Breaker Cap	
3	F0380809-00	Containment Device	
4	F0170221-00	O-Ring	
5	F380800P	Vacuum Breaker Valve	3/4 inch; F380965P Repair Kit; Includes item 6
6	F0798922-00	Vacuum Breaker Kit	Includes items 1-4

Drain - Models UW60M2, UW60P2, UW60P3, UW60S2 and UW60S3



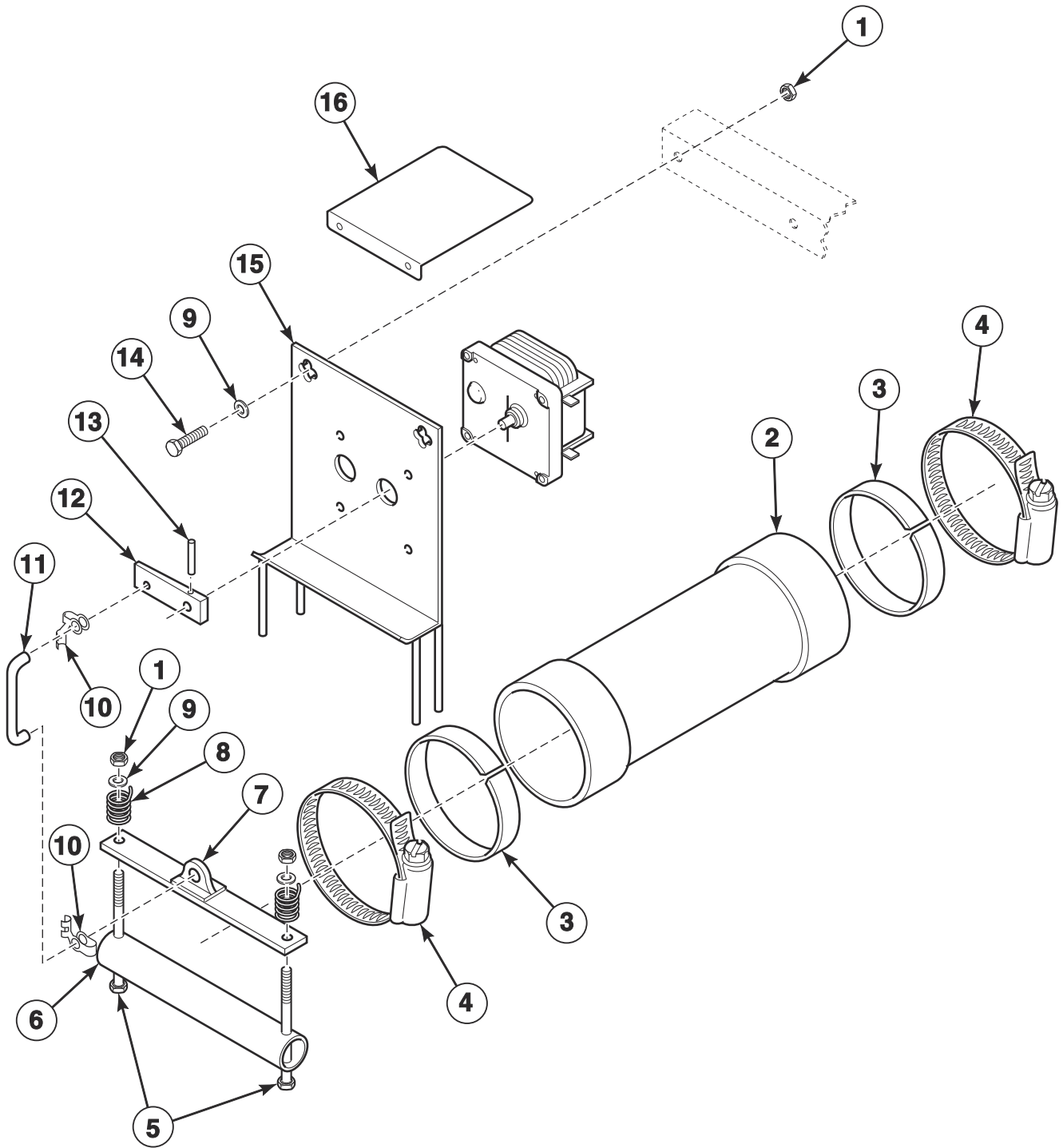
PHM3364P

Drain - Models UW60M2, UW60P2, UW60P3, UW60S2 and UW60S3

REF	PART NO.	DESCRIPTION	COMMENTS
	F380918	Main Drive Kit	
1	F8406302	Drain Valve	120 Volt
	F8602601	Drain Valve	220 Volt
2	F200133600	Drain Valve Cover	
3	F380117	Vacuum Breaker	
4	F422508	Adapter	
5	F422801	Tee	
6	N/A	Pipe	
7	F150309	Soap Dispenser Hose	
8	F200213	Hose Clamp	No. 40
9	F0602364-25	Pipe	
10	F8084201	Shell Reinforcement Plate Assembly	
11	F200107P	Water Hose	Order 4 feet
12	36801	Hose Clamp	No. 6
13	F421929	Hose Barb	
14	F610376P	Drain Hose	
15	F200201	Hose Clamp	No. 56
16	F422602	Reducer Bushing	
17	F0602365-01	Pipe	
18	F422803	Tee	
19	F0602365-22	Pipe	
20	F150438	Drain Hose	
21	F150442	Drain Hose	

N/A = Part no longer available

Motorized Drain Valve



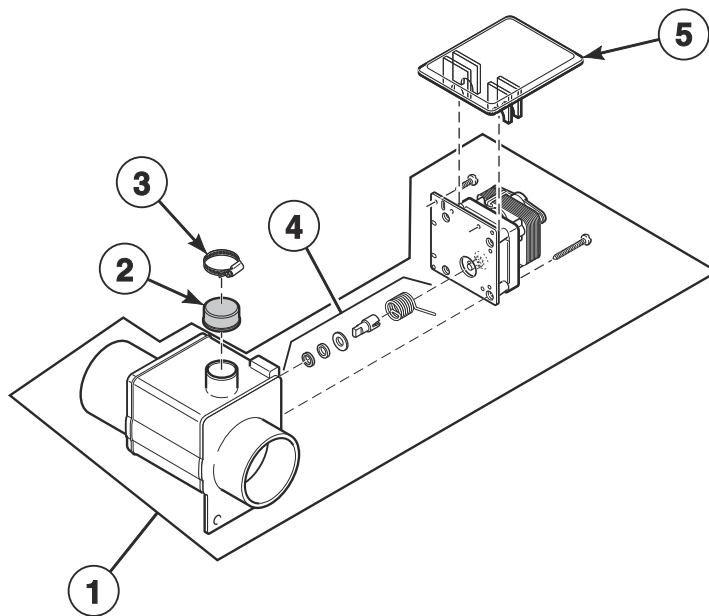
P158P_F232149

Motorized Drain Valve

REF	PART NO.	DESCRIPTION	COMMENTS
	F0798776-00	Drain Conversion Kit	N/A; 120 Volt; Convert to ball drain valve; Includes F150352 Overflow Plug, F0150399-00 Drain Hose, F8406304 Drain Valve, F200201 Hose Clamp (No. 56) and F200215 Hose Clamp (No. 28)
	F0798775-00	Drain Conversion Kit	N/A; 220 Volt; Convert to ball drain valve; Includes F150352 Overflow Plug, F8406303 Drain Valve, F0150399-00 Drain Hose, F200201 Hose Clamp (No. 56) and F200215 Hose Clamp (No. 28)
1	F430215	Nut	
2	F200126	Hose	
3	F601244	Chafe Strip	
4	F200201	Hose Clamp	No. 56
5	F430101	Screw	
6	F602101	Drain Lift Tube	N/A
7	N/A	Drain Valve Lift Bar Assembly	Must install F0798776-00 Drain Conversion Kit
8	N/A	Spring	
9	F430317	Washer	
10	F431205	Rod End Clip	N/A
11	F602274	Drain Valve Motor Linkage	
12	N/A	Drain Valve Motor Arm	
13	H88900683	Spring Pin	
14	F430103	Screw	
15	N/A	Drain Valve Bracket Assembly	Must install F0798776-00 Drain Conversion Kit
16	F602372	Drain Valve Motor Cover	

N/A = Part no longer available

Ball Drain Valve - Models UW50P2, UW50P3 and UW50P4

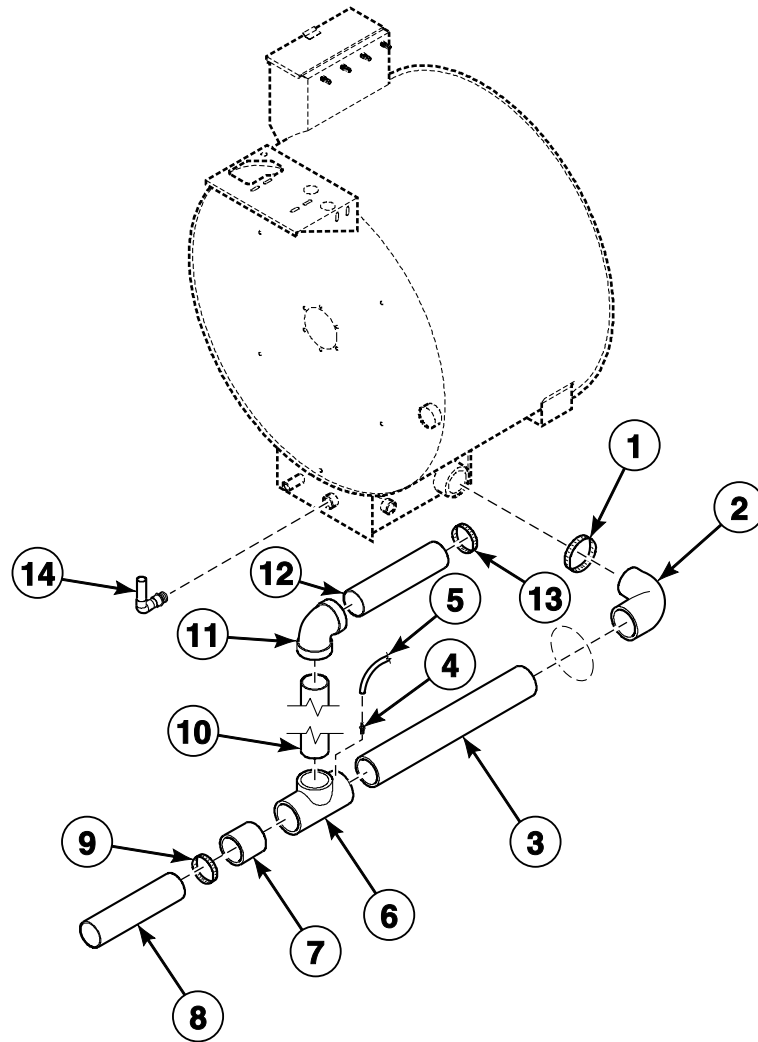


PHM2722P_F232149

Ball Drain Valve - Models UW50P2, UW50P3 and UW50P4

REF	PART NO.	DESCRIPTION	COMMENTS
1	F8406304	Drain Valve	
2	F150352	Overflow Plug	
3	F200215	Hose Clamp	No. 28
4	F380918	Main Drive Kit	
5	F200133600	Drain Valve Cover	

Drain - Models UW50P2, UW50P3 and UW50P4



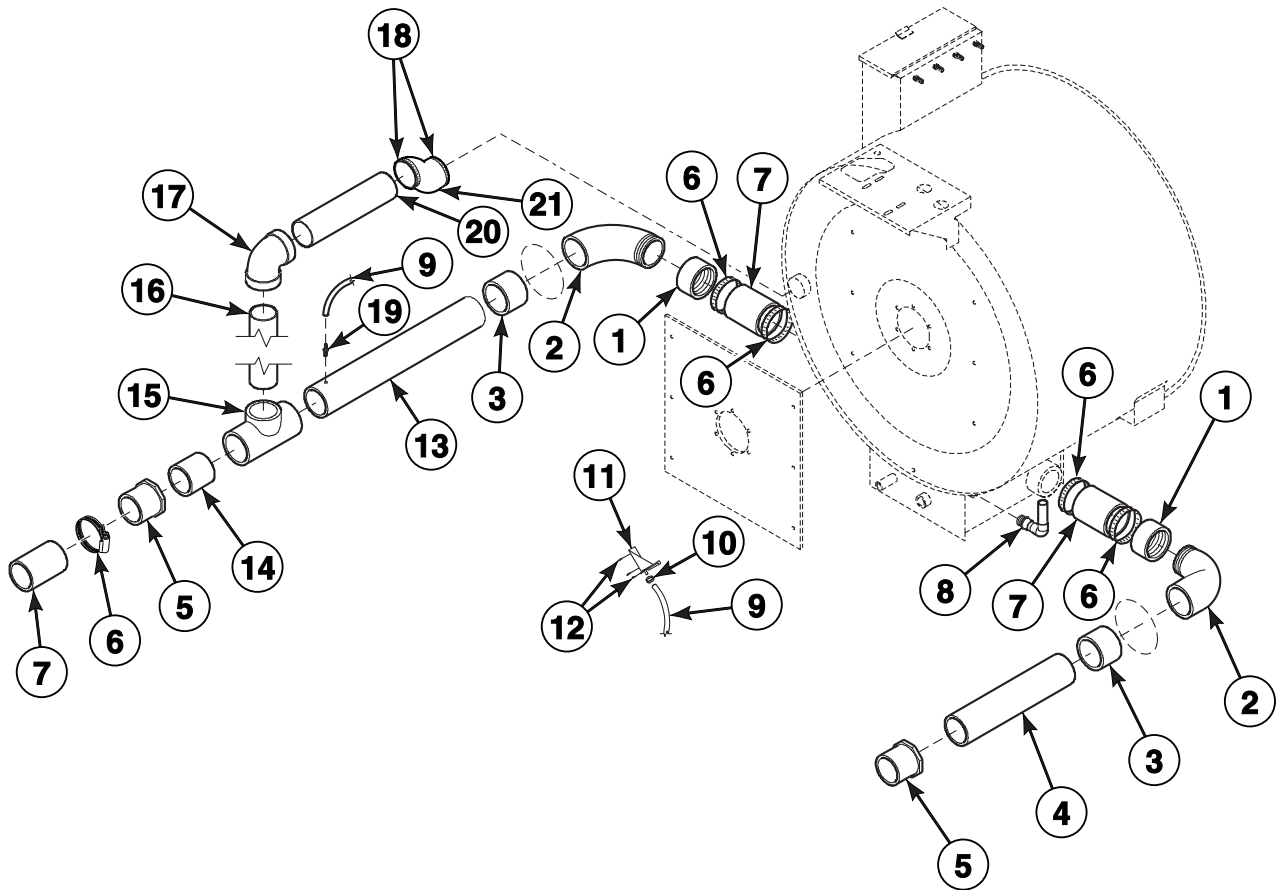
PHM2826P_F232149

Drain - Models UW50P2, UW50P3 and UW50P4

REF	PART NO.	DESCRIPTION	COMMENTS
1	F602139	Drain Valve Insert Ring	
2	N/A	Elbow	
3	N/A	Pipe	
4	F421929	Hose Barb	
5	F200107P	Water Hose	
6	F422803	Tee	
7	F610094	Pipe	
8	F610376P	Drain Hose	
9	F200201	Hose Clamp	No. 56
10	F0602364-07	Pipe	
11	F422900	Elbow	
12	F150308	Overflow Hose	
13	F200213	Hose Clamp	No. 40
14	N/A	Bottom Fill Hose Nipple	

N/A = Part no longer available

Drain - Models UW65P4, UW85P3 and UW85P4



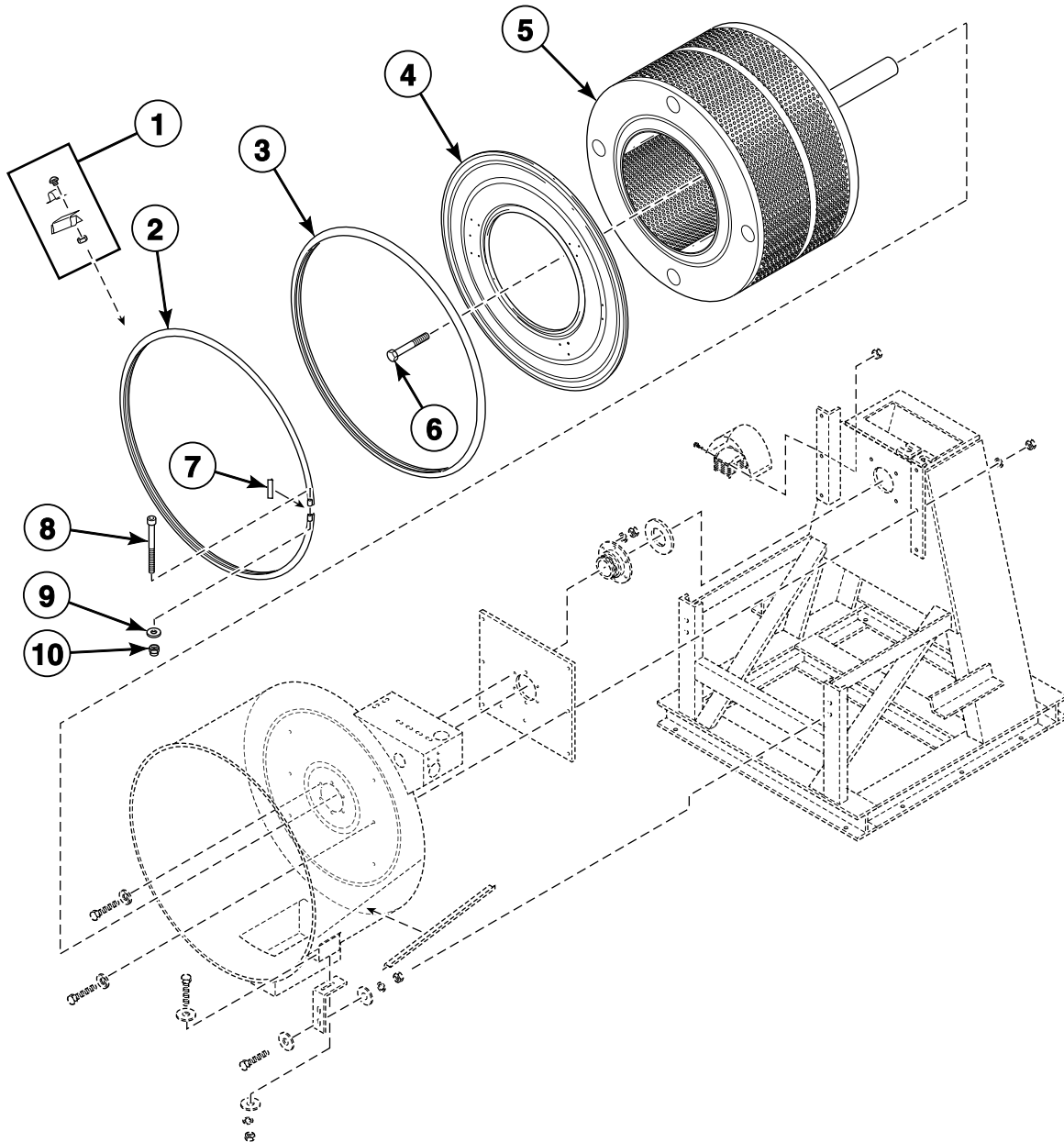
PHM2590P_F232149

Drain - Models UW65P4, UW85P3 and UW85P4

REF	PART NO.	DESCRIPTION	COMMENTS
1	F420301	Coupling	
2	N/A	Street Elbow	
3	N/A	Coupling	
4	F0602365-27	Pipe	
5	F422602	Reducer Bushing	
6	F200201	Hose Clamp	No. 56
7	F610076	Hose	
8	F610256	Bottom Fill Tube Assembly	
9	F200107P	Water Hose	
10	36801	Hose Clamp	No. 6
11	F150389	Scupper	
12	F431210	Pop Rivet	
13	N/A	Pipe	Model UW65P4
	F610040	Pipe	Models UW85P3 and UW85P4
14	F0602365-20	Pipe	Model UW65P4
	F0602365-16	Pipe	Models UW85P3 and UW85P4
15	F422803	Tee	
16	F0602364-23	Pipe	
17	F422900	Elbow	
18	F200213	Hose Clamp	No. 40
19	F421929	Hose Barb	
20	F0602364-19	Pipe	
21	F200105	Hose	

N/A = Part no longer available

Basket, Shell and Frame (Drawing 1 of 2)



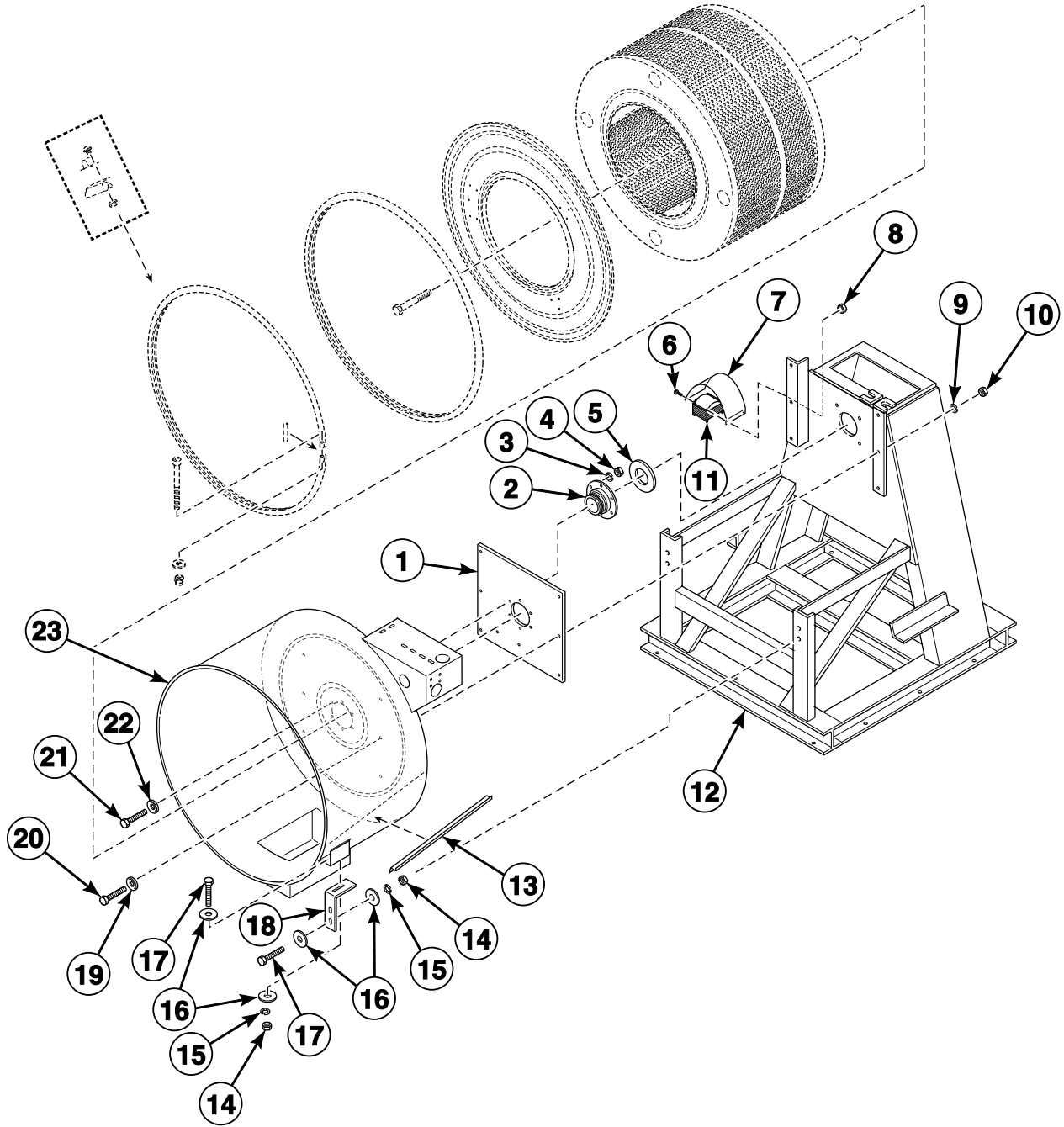
PHM2554P_F232149

Basket, Shell and Frame (Drawing 1 of 2)

REF	PART NO.	DESCRIPTION	COMMENTS
1	F602901P	Spray Rinse Bracket Assembly	
2	F603344P	Shell Band Assembly	Models UW50P2, UW50P3, UW50P4, UW60M2, UW60P2, UW60P3, UW60S2 and UW60S3
	F603910	Shell Band Assembly	Models UW65P4, UW85P3 and UW85P4; Top
	F603911	Shell Band Assembly	Models UW65P4, UW85P3 and UW85P4; Bottom
3	F170120RP	Shell Band Gasket	
4	F8135801P	Shell Front Weldment	Models UW50P2, UW50P3, UW50P4, UW60M2, UW60P2, UW60P3, UW60S2 and UW60S3
	F200119900P	Shell Front Assembly	Models UW50P2, UW50P3, UW50P4, UW60M2, UW60P2, UW60P3, UW60S2 and UW60S3; Includes shell front weldment, door bumper moulding, bushing for door bumper, door butt, door butt shim, lower door latch bracket casting, top latch bracket casting and door latch shim
	F741303P	Shell Front Kit	Models UW65P4, UW85P3 and UW85P4; 2 door box
	F730477P	Shell Front Kit	Models UW50P2, UW50P3, UW50P4, UW60M2, UW60P2, UW60P3, UW60S2 and UW60S3; 1 door box
	F741308P	Shell Front Kit	Models UW65P4, UW85P3 and UW85P4; 1 door box
	F730531P	Shell Front Kit	Models UW50P2, UW50P3 and UW50P4; 2 door box
5	F603427	Basket Assembly	Models UW50P2, UW50P3 and UW50P4
	F632015	Basket Assembly	Models UW60M2, UW60P2, UW60P3, UW60S2 and UW60S3
	N/A	Basket Assembly	Model UW65P4
	F603697	Basket Assembly	Models UW85P3 and UW85P4
6	N/A	Screw	
7	F601216	Shell Gasket Shield	
8	F430500	Screw	
9	F430317	Washer	
10	F430211	Nut	

N/A = Part no longer available

Basket, Shell and Frame (Drawing 2 of 2)



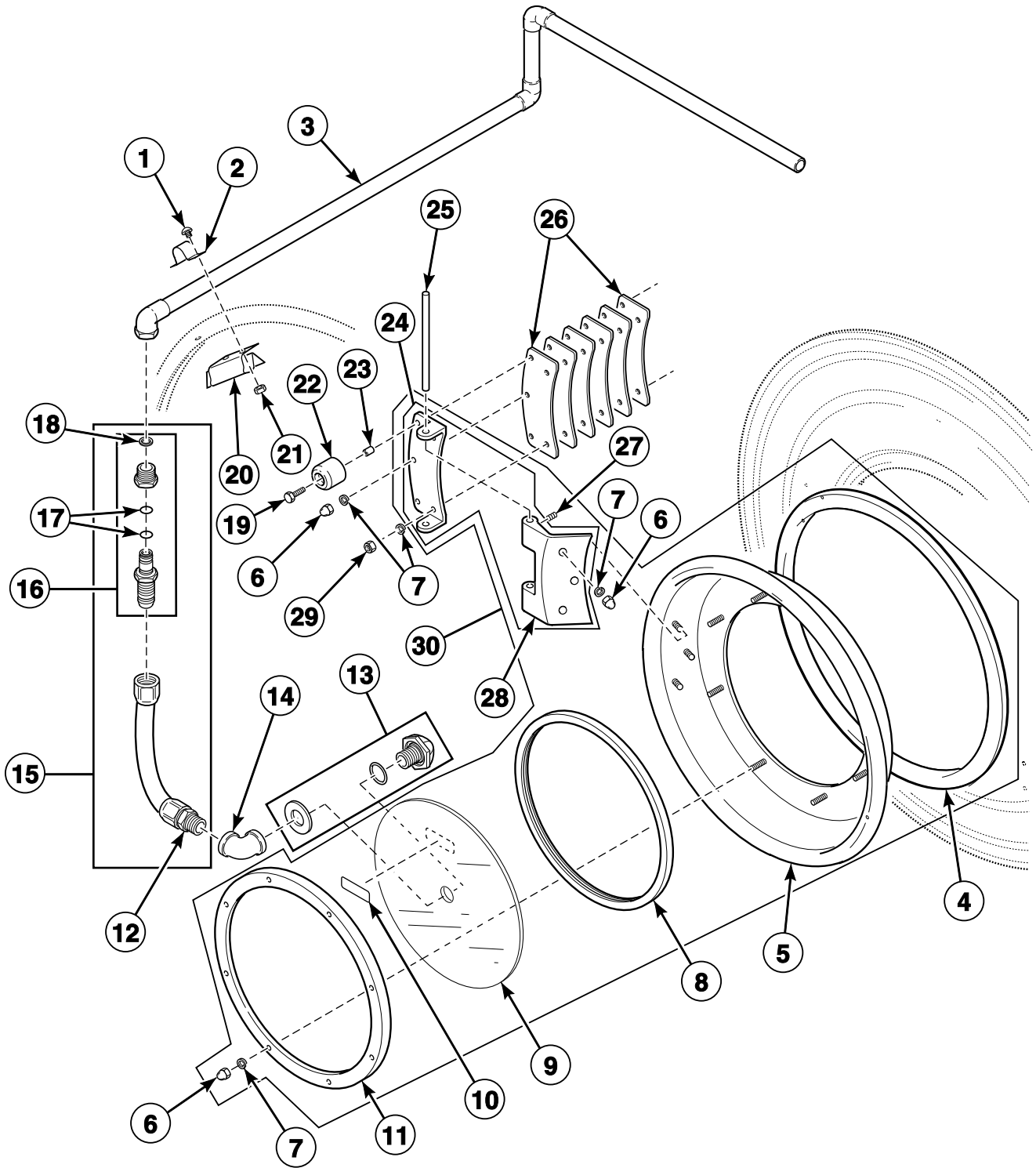
PHM2554PA_F232149

Basket, Shell and Frame (Drawing 2 of 2)

REF	PART NO.	DESCRIPTION	COMMENTS
1	F8084201	Shell Reinforcement Plate Assembly	Models UW60M2, UW60P2, UW60P3, UW60S2 and UW60S3
	F601359	Shell Reinforcement Plate	Models UW50P2, UW50P3, UW50P4, UW65P4, UW85P3 and UW85P4
2	F798819-00	Seal Kit	Models UW50P2, UW50P3, UW50P4, UW60M2, UW60P2, UW60P3, UW60S2 and UW60S3; Includes item 5, F170120RP Shell Band Gasket, sealant and installation instructions
	F798821-00	Seal Kit	Models UW50P2, UW50P3, UW50P4, UW60M2, UW60P2, UW60P3, UW60S2 and UW60S3; Viton; Includes item 5, F170120RP Shell Band Gasket, sealant and installation instructions
	F8162001	Face Seal	Models UW65P4, UW85P3 and UW85P4
3	F8171201	Washer	Models UW50P2, UW50P3 and UW50P4
	F431100	Washer	All other models; Not required with cartridge seal
4	F430202	Nut	Models UW50P2, UW50P3 and UW50P4
	F431005	Nut	All other models; Not required with cartridge seal
5	F100203	Slinger	Models UW60M2, UW60P2, UW60P3, UW60S2 and UW60S3
	F100204	Slinger	Models UW50P2, UW50P3, UW50P4, UW65P4, UW85P3 and UW85P4
6	F430935	Screw	
7	F140425	Control Transformer Cover	
8	F430215	Nut	
9	M400013	Washer	
10	70142	Nut	
11	C000203	Transformer	
12	N/A	Frame Assembly	Models UW50P2, UW50P3 and UW50P4
	F633378	Frame Assembly	Models UW60M2, UW60P2 and UW60S2
	F633376	Frame Assembly	Models UW60P3 and UW60S3
	F601560	Frame Assembly	Model UW65P4
	N/A	Frame Assembly	Models UW85P3 and UW85P4
13	F150408	Rub Rail	Attach with silicone
14	20274	Nut	
15	M400014	Washer	
16	M400081	Washer	
17	800461	Screw	
18	F601806	Shell Mounting Bracket	
19	F431116	Washer	
20	F430924	Screw	
21	F430935	Screw	
22	F431112	Washer	
23	N/A	Shell Weldment	Models UW50P2, UW50P3 and UW50P4
	F634438	Shell Assembly	Models UW60M2, UW60P2, UW60P3, UW60S2 and UW60S3; Standard models
	F634438-1	Shell Weldment	Models UW60M2, UW60P2, UW60P3, UW60S2 and UW60S3; Models with starch option
	N/A	Shell Weldment	Model UW65P4
	F603731	Shell Assembly	Models UW85P3 and UW85P4

N/A = Part no longer available

Door and Spray Tube

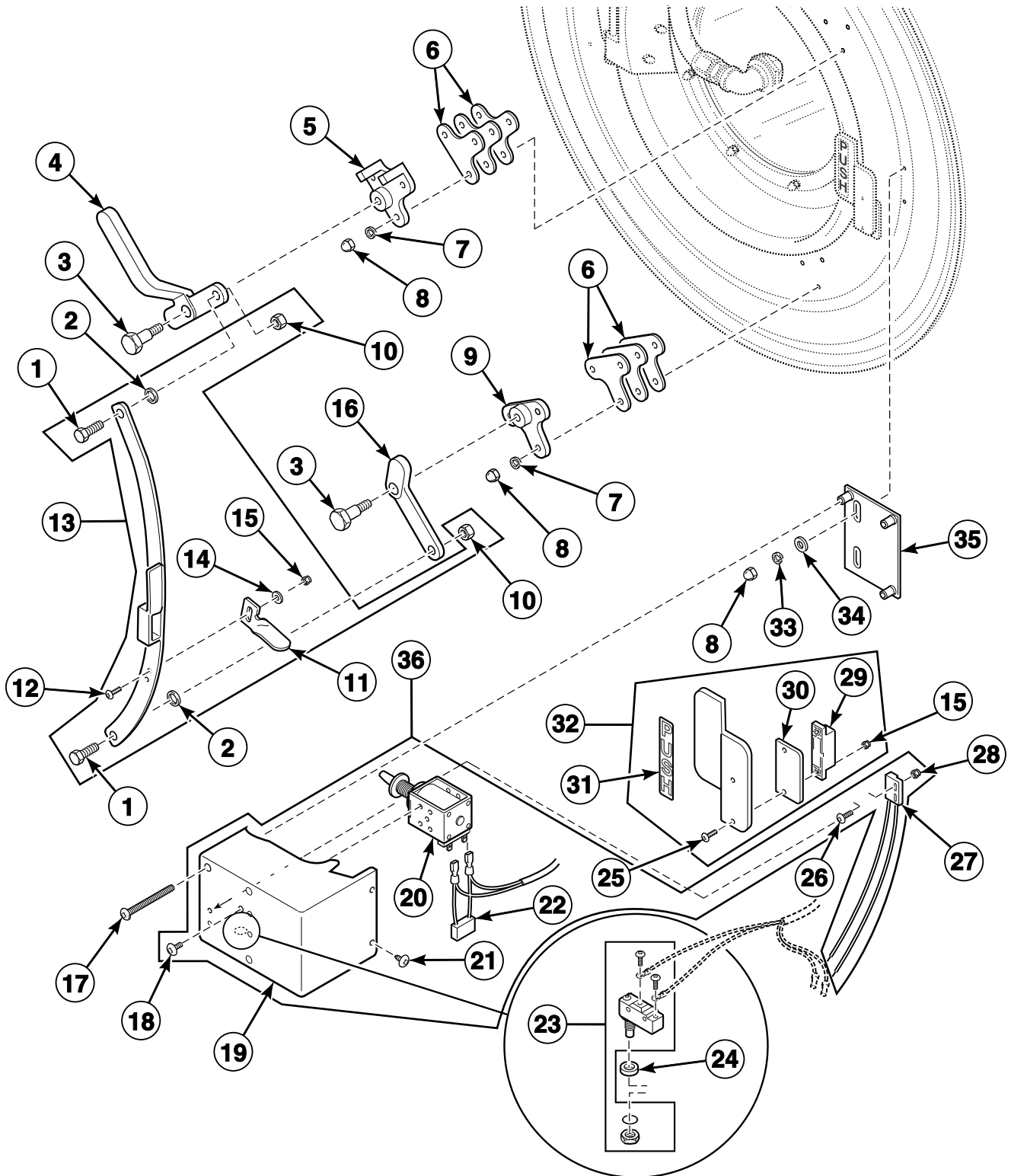


PHM2976P_F232149

Door and Spray Tube

REF	PART NO.	DESCRIPTION	COMMENTS
1	F430917	Screw	
2	F602880	Spray Rinse Strap	
3	F603696-9	Spray Rinse Tube Assembly	Models UW60M2, UW60P2, UW60P3, UW60S2 and UW60S3
	F610364	Spray Rinse Tube Assembly	Models UW50P2, UW50P3, UW50P4, UW65P4, UW85P3 and UW85P4
4	F170144	Door Gasket	Models UW50P2, UW50P3 and UW50P4
	F017014501	Door Gasket	All other models; Gray
	F170145	Door Gasket	All other models; Black
5	F730307	Door Kit	Includes studs
6	F8549401	Nut	
7	F431100	Washer	
8	F170117	Door Glass Gasket	
9	F290200P	Door Glass Kit	For models with spray
	F290201P	Glass	For models without spray
10	F230652	Clockwise Spin Rotation Decal	
11	F601239	Door Glass Retainer	
12	F422109	No-Swivel Coupling	
13	F730077	Spray Rinse Nozzle Kit	
14	F8453701	Elbow	
15	F730026	Spray Rinse Hose Assembly	Includes items 12 and 16-18; UW50, UW60 and UW65 models
	F730024	Spray Rinse Hose Kit	Includes items 12 and 16-18; UW85 models
16	F422108	Swivel Coupling	Includes item 17 and 18
17	F170200	O-Ring	
18	F310206	Ring Retainer	
19	F430103	Screw	
20	F602901P	Spray Rinse Bracket Assembly	Includes items 1 and 21
21	F431022	Nut	
22	F150366	Door Bumper Moulding	
23	F430416	Door Bumper Bushing	
24	F200030600P	Door Hinge Strap Kit	Includes item 28
25	F601815	Door Hinge Pin	
26	F0610695-00	Door Butt Shim	Use as needed
27	F430502	Screw	
28	F200030600	Door Hinge Strap	
29	20274	Nut	
30	F730539	Door Kit	Models UW60M2, UW60P2, UW60P3, UW60S2 and UW60S3; For models with spray; Includes items 4-11, 27, 28, door push brace, handle, magnet and push decal
	F200119600	Door Assembly	Models UW60M2, UW60P2, UW60P3, UW60S2 and UW60S3; For models without spray; Includes items 4-9, 11, 27, 28, magnet and push handle
	F730540P	Door Kit	Models UW65P4, UW85P3 and UW85P4; Includes items 4-11, 27, 28, push handle, door push brace, push decal and magnet

Door Lock Assembly

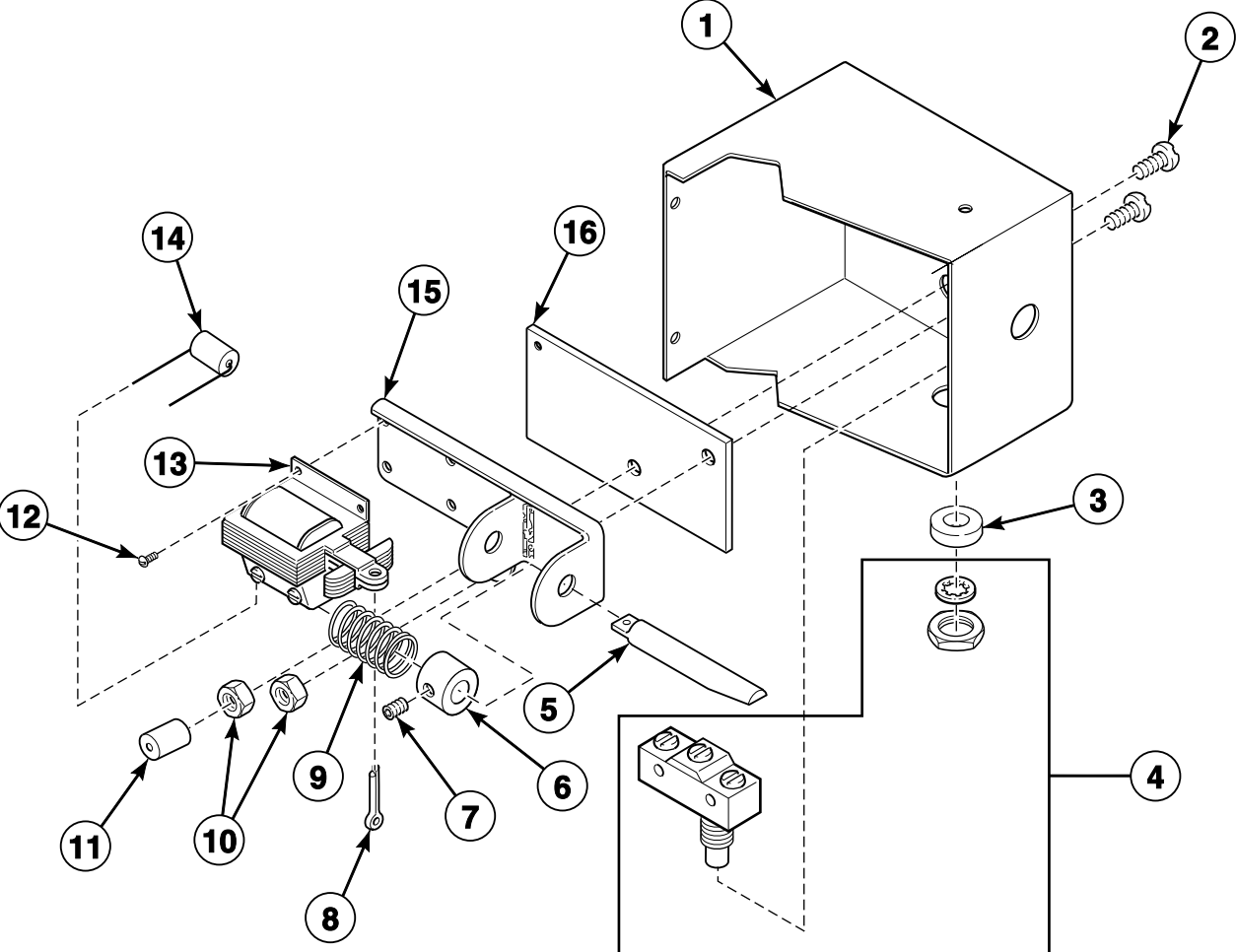


PHM2312P_F232149

Door Lock Assembly

REF	PART NO.	DESCRIPTION	COMMENTS
1	F430927	Screw	
2	F431118	Washer	
3	F430168	Screw	
4	F150203	Door Handle Casting	
5	F150201P	Top Latch Bracket Casting	
6	F602058	Door Latch Bracket Shim	
7	F431100	Washer	
8	F8549401	Nut	
9	F150202	Lower Door Latch Bracket Casting	
10	F431002	Nut	
11	F601639	Extension Arm Tab	
12	F430916	Screw	
13	F746803	Extension Arm Kit	Includes items 1, 2, 10-12, 14 and 15; Models with 1 door box
	F746802	Extension Arm Kit	Includes items 1, 2 and 10; Models with 2 door boxes
14	F431108	Washer	
15	F430231	Nut	
16	F150204	Lower Door Latch Casting	
17	F430996	Screw	
18	F430995	Screw	
19	F606630	Door Box	Models UW60M2, UW60P2, UW60P3, UW60S2 and UW60S3
20	F300118P	Door Lock Solenoid	120 Volt; Models UW50P2, UW60M2, UW60P2, UW60P3, UW60S2 and UW60S3
	F300129P	Door Lock Solenoid	220 Volt; Models UW60M2, UW60P2, UW60P3, UW60S2 and UW60S3
21	F430956	Screw	
22	F330217P	RC Network Filter	Models UW60M2, UW60P2, UW60P3, UW60S2 and UW60S3; Includes F140627 Connector and F141022 Connector
23	F340900	Interlock Switch	Models UW60M2, UW60P2, UW60P3, UW60S2 and UW60S3
24	F601055	Interlock Switch Spacer	Models UW60M2, UW60P2, UW60P3, UW60S2 and UW60S3
25	F430909	Screw	
26	F430917	Screw	
27	F8746601	Magnetic Switch Assembly	
28	F430232	Nut	
29	F8390801	Magnet	
30	F603683	Door Push Brace	
31	F230303	Push Decal	
32	F746201-1	Push Handle Kit	Includes items 25 and 29-31
33	F431100	Washer	
34	F431142	Washer	
35	F605525	Door Box Mounting Plate Assembly	
36	F603665	Door Box Assembly	120 Volt; Includes items 15, 18, 20, 26, 27 and F340702 Magnetic Position Switch; Models UW60M2, UW60S2 and UW60S3; Models UW60P2, UW60P3 and UW65P4 with WE-6 computer
	F603666P	Door Box Assembly	220 Volt; Includes items 15, 18, 20, 26, 27 and F340702 Magnetic Position Switch; Models UW60M2, UW60S2 and UW60S3; Models UW60P2, UW60P3 and UW65P4 with WE-6 computer

Right Door Box - Models UW50P2, UW50P3, UW50P4, UW65P4, UW85P3 and UW85P4 with WE-5 Computer

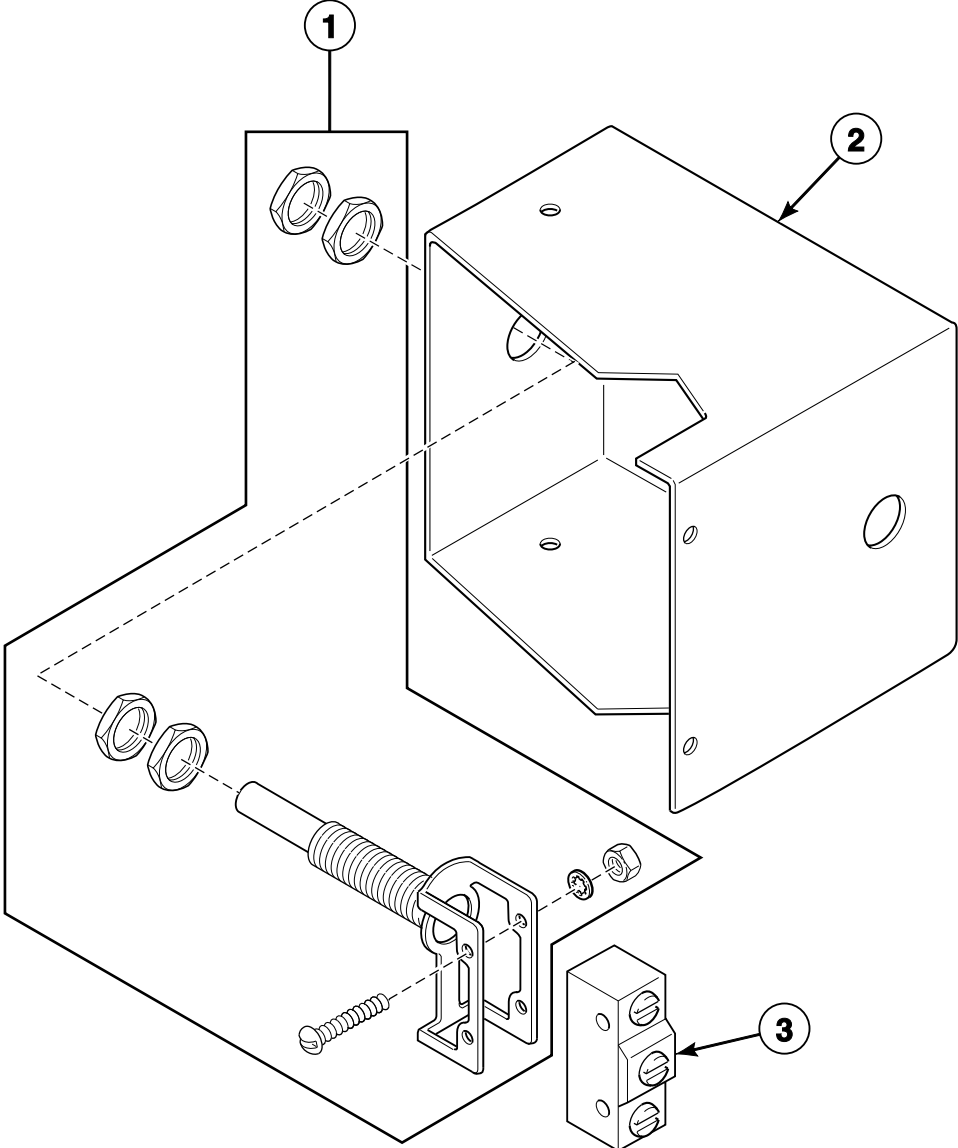


PHM318P_F232149

Right Door Box - Models UW50P2, UW50P3, UW50P4, UW65P4, UW85P3 and UW85P4 with WE-5 Computer

REF	PART NO.	DESCRIPTION	COMMENTS
1	F601523	Right Door Box	
2	F430925	Screw	
3	F601055	Interlock Switch Spacer	
4	F340900	Interlock Switch	
5	F601081	Door Lock Plunger	
6	F150288	Door Lock Collar	
7	F430502	Screw	
8	F431201	Cotter Pin	
9	F310119	Door Lock Solenoid Spring	
10	F430211	Nut	
11	F190300	Cap	
12	F430917	Screw	
13	F300101P	Door Solenoid	120 Volt
	F300105	Door Solenoid	220 Volt
14	F330217P	RC Network Filter	Includes F140627 Connector and F141022 Connector
15	F150200	Bracket Casting	
16	F170135	Door Lock Gasket	

Left Door Box - Models UW50P2, UW50P3, UW50P4, UW65P4, UW85P3 and UW85P4



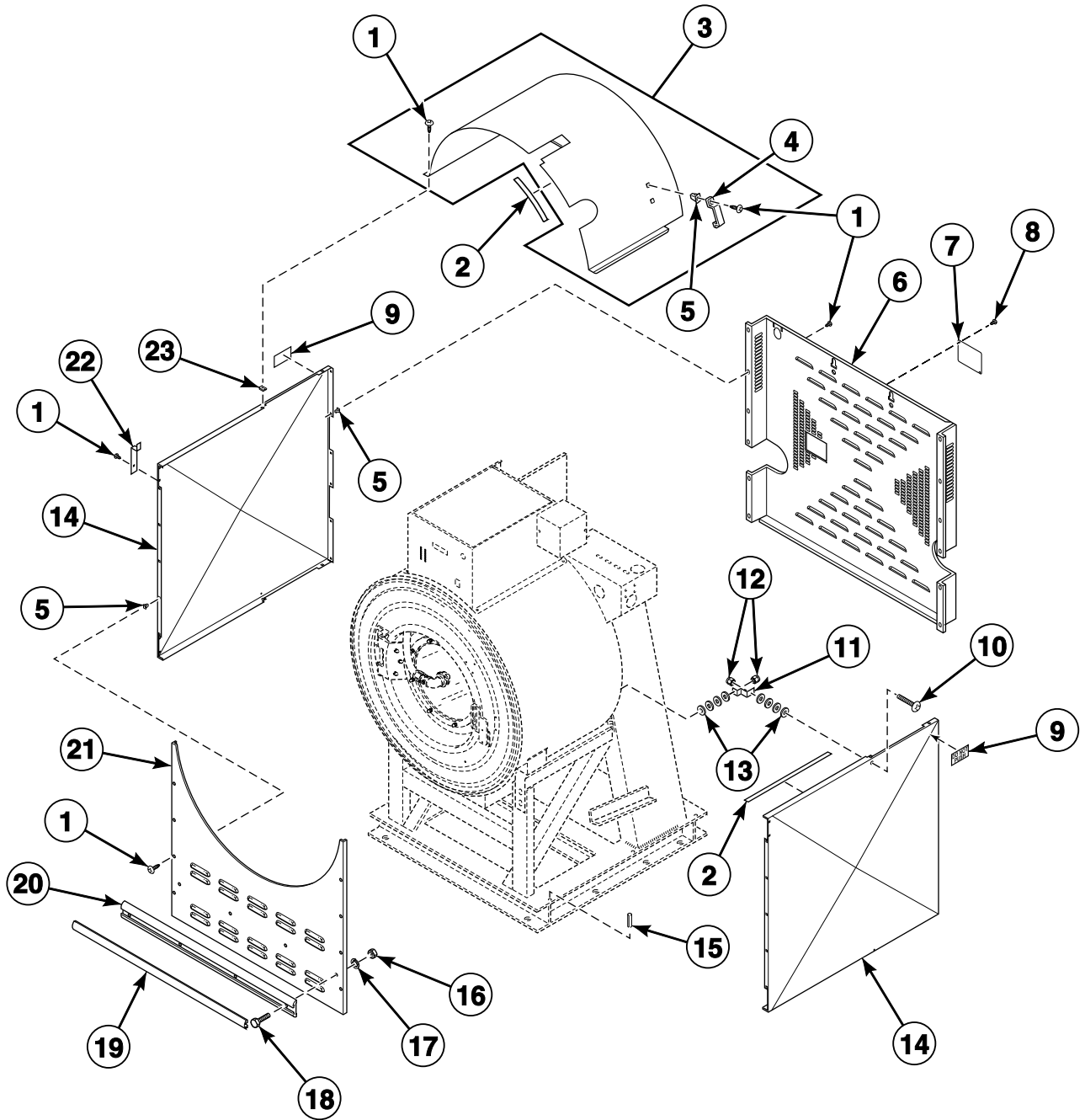
PHM314P_F232149

Left Door Box - Models UW50P2, UW50P3, UW50P4, UW65P4, UW85P3 and UW85P4

REF	PART NO.	DESCRIPTION	COMMENTS
1	F340913	Switch Extension	
2	N/A	Left Door Box	Models UW50P2, UW50P3 and UW50P4
	F601202	Left Door Box	Models UW65P4, UW85P3 and UW85P4
3	F340901	Switch	

N/A = Part no longer available

Front, Side and Rear Panels



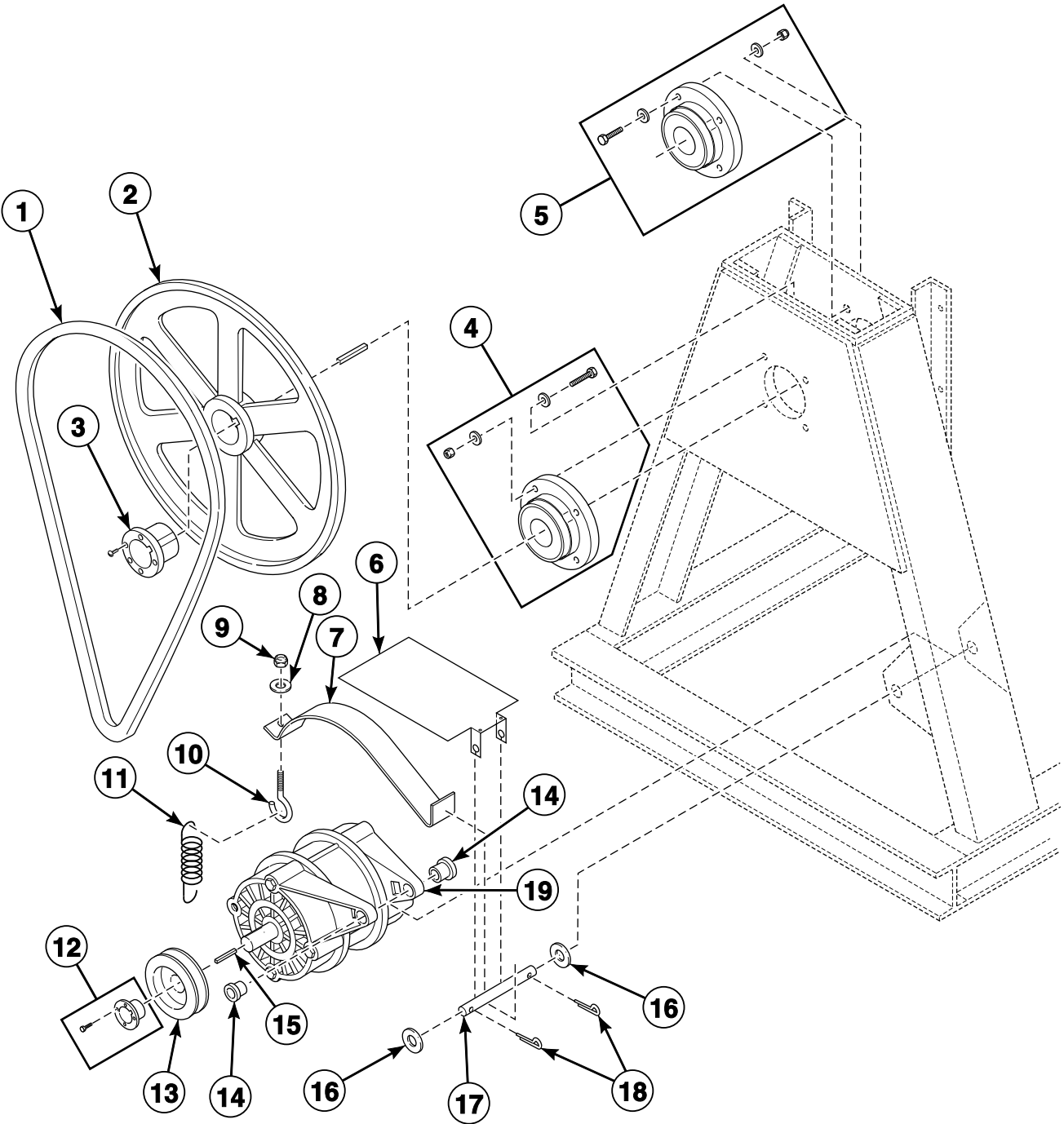
PHM2593P_F232149

Front, Side and Rear Panels

REF	PART NO.	DESCRIPTION	COMMENTS
1	F430956	Screw	
2	F170400RP	Trim	
3	F603702	Cage Wrap Kit	Models UW50P2, UW50P3 and UW50P4; Includes items 1, 2, 4 and 5
	N/A	Cage Wrap Assembly	Models UW60M2, UW60P2, UW60P3, UW60S2 and UW60S3; Includes items 1, 4 and 5
	N/A	Cage Wrap Assembly	Model UW65P4; Includes items 1, 4 and 5
	F757800-1	Cage Wrap Kit	Models UW85P3 and UW85P4; Includes items 1, 2, 4 and 5
4	F605324	Hose Strap	
5	F0431807-00	Nut	Plastic insert
6	F200187900P	Rear Panel	Models UW50P2, UW50P3, UW50P4, UW60M2, UW60P2, UW60P3, UW60S2 and UW60S3
	F200188000P	Rear Panel	Models UW65P4, UW85P3 and UW85P4
7	F200188300	Belt Inspection Port Cover	
8	70240301	Screw	
9	F230302	Do Not Push Decal	
10	F432234	Screw	
11	F601982	Side Panel Bracket	
12	F430215	Nut	
13	F430317	Washer	
14	F630323	Side Panel	Models UW60M2, UW60P2, UW60P3, UW60S2 and UW60S3 through 1/30/00
	F635648P	Side Panel	Models UW60M2, UW60P2, UW60P3, UW60S2 and UW60S3 starting 1/30/00
	N/A	Left Side Panel	Models UW50P2, UW50P3 and UW50P4
	F602893	Left Side Panel	Model UW65P4
	F602894	Left Side Panel	Models UW85P3 and UW85P4
	N/A	Right Side Panel	Models UW50P2, UW50P3 and UW50P4
	F602009	Right Side Panel	Model UW65P4
	F602010P	Right Side Panel	Models UW85P3 and UW85P4
15	F430415	Pin	
16	F430211	Nut	
17	F431100	Washer	
18	F430921	Screw	
19	F150397	Extrusion Insert	Models UW60M2, UW60P2, UW60P3, UW60S2 and UW60S3; Order 3 feet
20	F601224	Rub Rail	Models UW50P2, UW50P3 and UW50P4
	F150408	Rub Rail	Models UW60M2, UW60P2, UW60P3, UW60S2 and UW60S3
	F601236	Rub Rail	Models UW65P4, UW85P3 and UW85P4
21	F601053P	Front Panel	Models UW50P2, UW50P3 and UW50P4
	F609744P	Front Panel	Models UW60M2, UW60P2, UW60P3, UW60S2 and UW60S3 through 1/30/00
	F635649P	Front Panel	Models UW60M2, UW60P2, UW60P3, UW60S2 and UW60S3 starting 1/30/00
	F601198P	Front Panel	Models UW65P4, UW85P3 and UW85P4
22	F606667	Side Panel Cover	
23	F430264	Nut	Tinnerman

N/A = Part no longer available

Motor, Bearings, Pulley and Belt - Model UW50P2

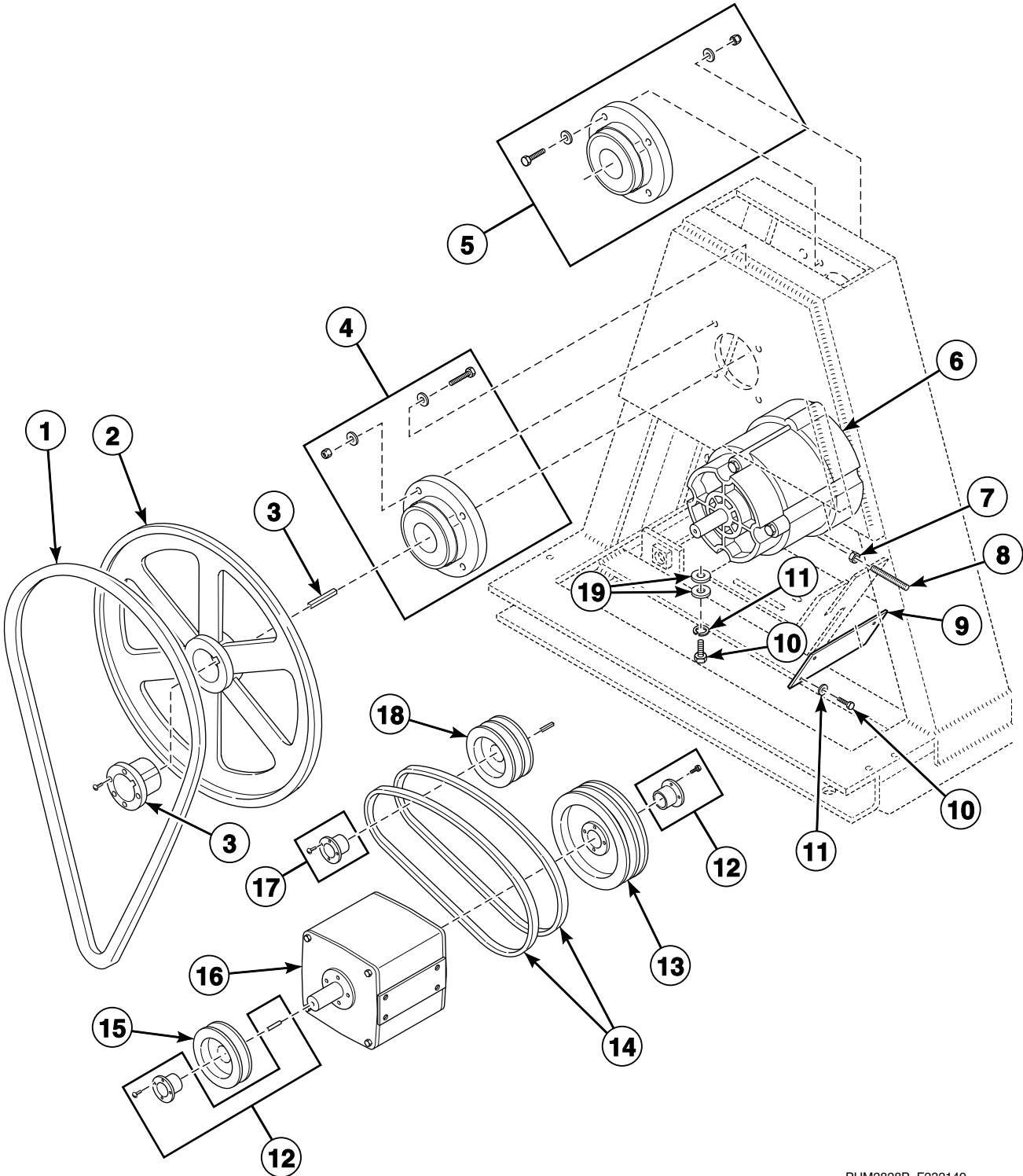


PHM2899P_F232149

Motor, Bearings, Pulley and Belt - Model UW50P2

REF	PART NO.	DESCRIPTION	COMMENTS
1	F280309	Belt	
2	F280410	Pulley	
3	F280409P	Bushing	Includes bolts and key
4	F745010	Rear Bearing Kit	
5	F798824-00	Front Bearing Kit	Includes F170120RP Shell Band Gasket, F100203 Slinger, F170125P Shell Band, F8162101 Seal, F8502307 Gasket, F8637601 Bearing and hardware
6	F200280700	Motor Drip Shield	
7	F602166	Motor Adjustment Strap	
8	M400080	Washer	
9	F430233	Nut	
10	F430153	Bolt	
11	F310127	Spring	
12	F280214	Motor Bushing	Includes bolts
13	F280146P	Pulley	Model UW50P2; 60 Hertz; BK34H
	F280132P	Pulley	Model UW50P2; 50 Hertz; BK45H
	F280135	Sheave Pulley	Model UW50P2; 60 Hertz; BK40H
	F280148	Sheave Pulley	Model UW50P2; 50 Hertz; BK50H
14	F200186100	Motor Support Bushing	Use with F0220302-00P Motor
15	F430820	Key	
16	F430325	Washer	
17	F601114	Motor Support Rod	
18	F430401	Cotter Pin	
19	F8597805P	Motor	Model UW50P2; 208-240 Volt/60 Hertz/3 Phase; Uses F100124 Motor Bearing
	F220370	Motor	Model UW50P2; 220-240 Volt/50 Hertz/3 Phase; Uses F100124 Motor Bearing
	F8598001P	Motor	Model UW50P2; 380-415 Volt/50 Hertz/3 Phase; 440-480 Volt/60 Hertz/3 Phase; Includes item 13; Uses F100124 Motor Bearing

Motor, Bearings, Pulley and Belt - Model UW50P3



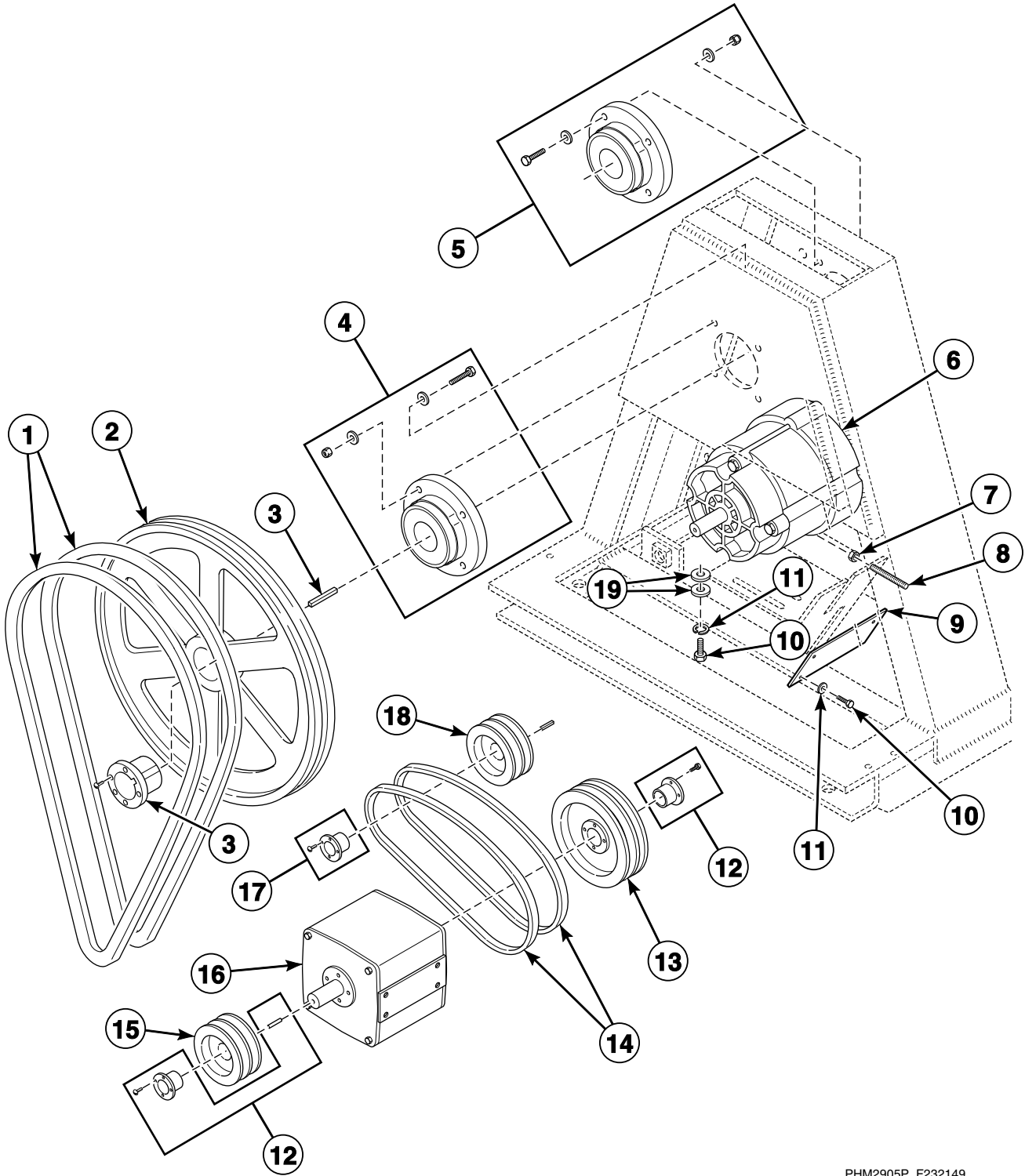
PHM2828P_F232149

Motor, Bearings, Pulley and Belt - Model UW50P3

REF	PART NO.	DESCRIPTION	COMMENTS
1	F280309	Belt	
2	F280410	Pulley	
3	F280409P	Bushing	
4	F745010	Rear Bearing Kit	
5	F798824-00	Front Bearing Kit	
6	F8598101P	Motor	208-240 Volt/60 Hertz/3 Phase; Wash
	N/A	Motor	220-240 Volt/50 Hertz/3 Phase; Wash
	F220425P	Motor	380, 415, 440 or 480 Volt/50 Hertz/3 Phase; Wash
7	20274	Nut	
8	F430509	Bolt	
9	F601863	Motor Reinforcement Plate	
10	800461	Screw	
11	M400014	Washer	
12	F280297	Pulley Bushing	Includes bolts
13	F280408	Pulley	2 groove; 6 inch OD
14	F280349	Belt	50 Hertz
	F280351	Belt	60 Hertz
15	F280408	Pulley	50 Hertz; 2 groove; 6 inch OD
	F280132P	Pulley	60 Hertz
16	F220413P	Motor	208-240 Volt/60 Hertz/3 Phase; Extract
	F220427P	Motor	380-415 Volt/50 Hertz/3 Phase; Extract
	N/A	Motor	220-240 Volt/50 Hertz/3 Phase; Extract
17	F280298P	Pulley Bushing	Includes bolts and key
18	F280299	Pulley	2 groove; 2.8 inch OD
19	M400081	Washer	

N/A = Part no longer available

Motor, Bearings, Pulley and Belt - Model UW50P4



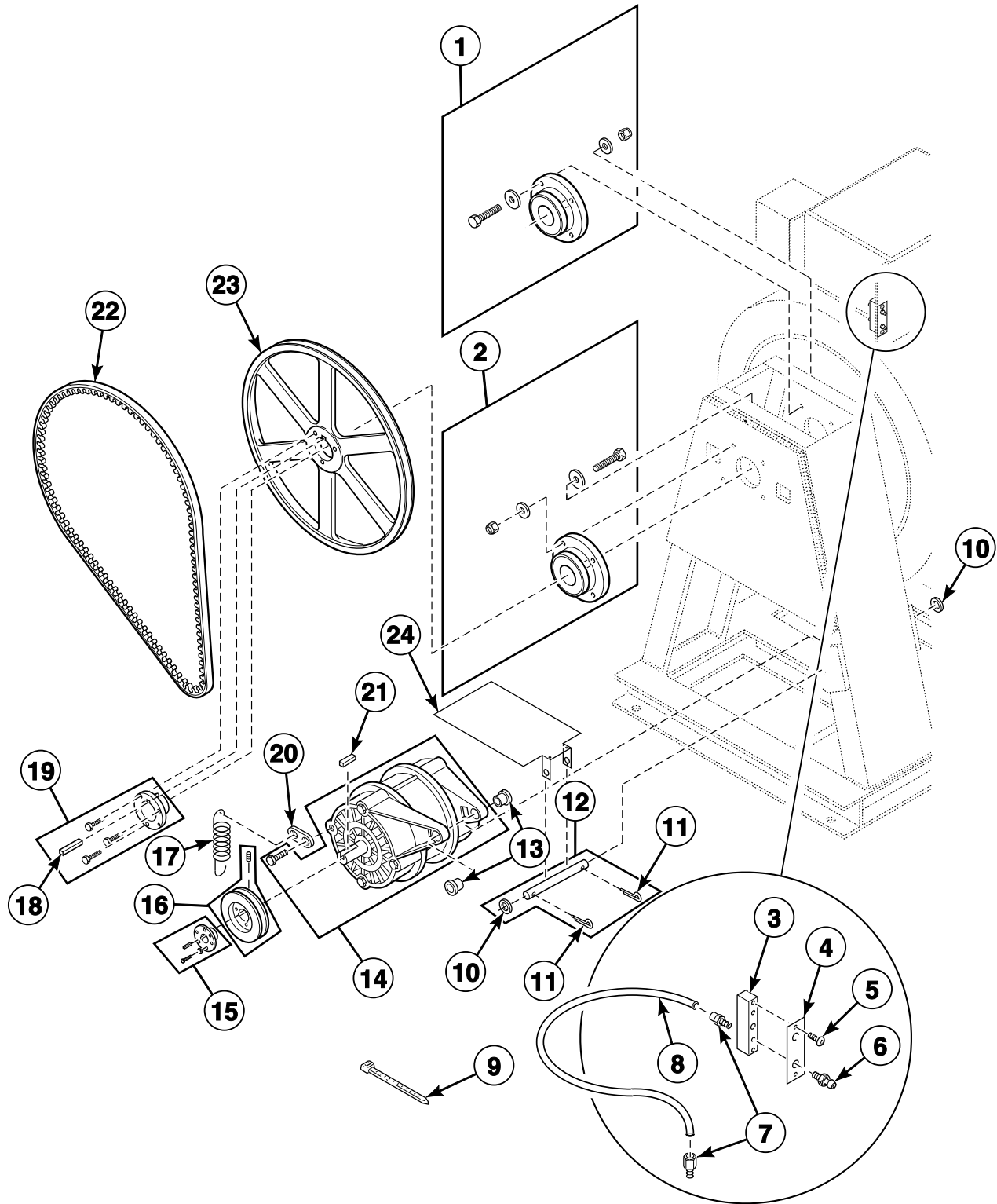
PHM2905P_F232149

Motor, Bearings, Pulley and Belt - Model UW50P4

REF	PART NO.	DESCRIPTION	COMMENTS
1	F280353	Belt	50 Hertz
	F280309	Belt	60 Hertz
2	F280256	Pulley	
3	F280257	Bushing	Includes bolts and key
4	F745010	Rear Bearing Kit	
	F210204P	Perma Lubricator	
5	F798824-00	Front Bearing Kit	Includes F170120RP Shell Band Gasket, F100203 Slinger, F170125P Shell Band, F8162101 Seal, F8502307 Gasket, F8637601 Bearing and hardware
	F210204P	Perma Lubricator	
6	F220306P	Motor	208-240 Volt/60 Hertz/3 Phase; Wash; Uses F220736 (Century and Elmo) and F220740 (L/S) Motor Bearing
	F220307P	Motor	380-415 Volt/50 Hertz/3 Phase; Wash; Uses F220736 (Century and Elmo) and F220740 (L/S) Motor Bearing
7	20274	Nut	
8	F430509	Bolt	
9	F601863	Motor Reinforcement Plate	
10	800461	Screw	
11	M400014	Washer	
12	F280211P	Motor Pulley Bushing	Includes bolts
13	F280160	Motor Pulley	
14	F280338	Belt	50 Hertz
	F280306	Belt	60 Hertz
15	N/A	Motor Pulley	50 Hertz
	F280128	Motor Pulley	60 Hertz
16	F220304P	Motor	208-240 Volt/60 Hertz/3 Phase; Extract; Uses F220897 (Century and L/S) and F220738 (Elmo) Motor Bearing
17	F280212	Motor Pulley Bushing	Includes bolts and key
18	F280128	Motor Pulley	
19	M400081	Washer	

N/A = Part no longer available

Motor, Bearings, Pulley and Belt - Models UW60M2, UW60P2 and UW60S2

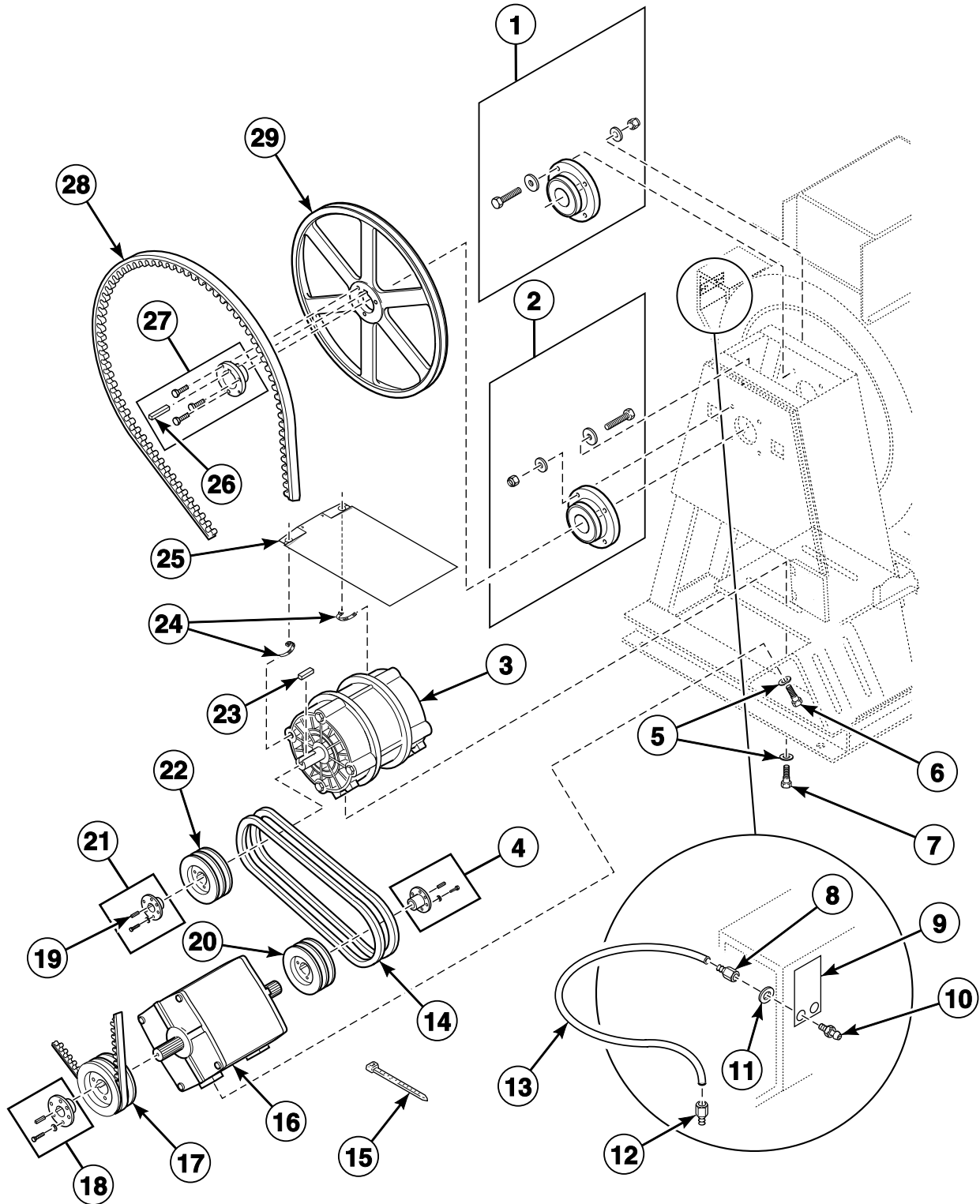


PHM2900P_F232149

Motor, Bearings, Pulley and Belt - Models UW60M2, UW60P2 and UW60S2

REF	PART NO.	DESCRIPTION	COMMENTS
1	F798824-00	Front Bearing Kit	Includes F170120RP Shell Band Gasket, F100203 Slinger, F170125P Shell Band, F8162101 Seal, F8502307 Gasket, F8637601 Bearing and hardware
2	F745010	Rear Bearing Kit	
3	F320326	Grease Manifold	
	F745401	Manual Bearing Greasing Retrofit Kit	Includes items 4 and 6-8, F630433 Grease Manifold Bracket, F430211 Nut, F430322 Washer, F430923 Screw, F430925 Screw and F431024 Nut
4	F230745	Lubrication Instruction Decal	
5	F430916	Screw	
6	F190701	Grease Fitting	
7	J1408004	Connector	
8	C000628P	Tubing	
9	F140605	Cable Tie	
10	F430325	Washer	
11	F430401	Cotter Pin	
12	F730076	Motor Support Rod Kit	Includes items 10 and 11
13	F200186100	Motor Support Bushing	Use with F0220302-00P Motor
14	F8597805P	Motor	208-240 Volt/60 Hertz/3 Phase; Includes the screw and item 13
	F220370	Motor	220-240 Volt/50 Hertz/3 Phase; Includes the screw
	F8598001P	Motor	330-415 or 440-480 Volt/50 or 60 Hertz/3 Phase; Includes the screw and item 13
15	F280214	Motor Bushing	H-7/8
16	F280132P	Pulley	50 Hertz
	F280146P	Pulley	60 Hertz
17	F310127	Spring	
18	F430801	Key	
19	F280409P	Bushing	Includes item 18 and screws
20	F601515	Clip	
21	F430802	Key	
22	F280309	Belt	BX100
23	F280410	Pulley	
24	F200280700	Motor Drip Shield	

Motor, Bearings, Pulley and Belt - Models UW60P3 and UW60S3



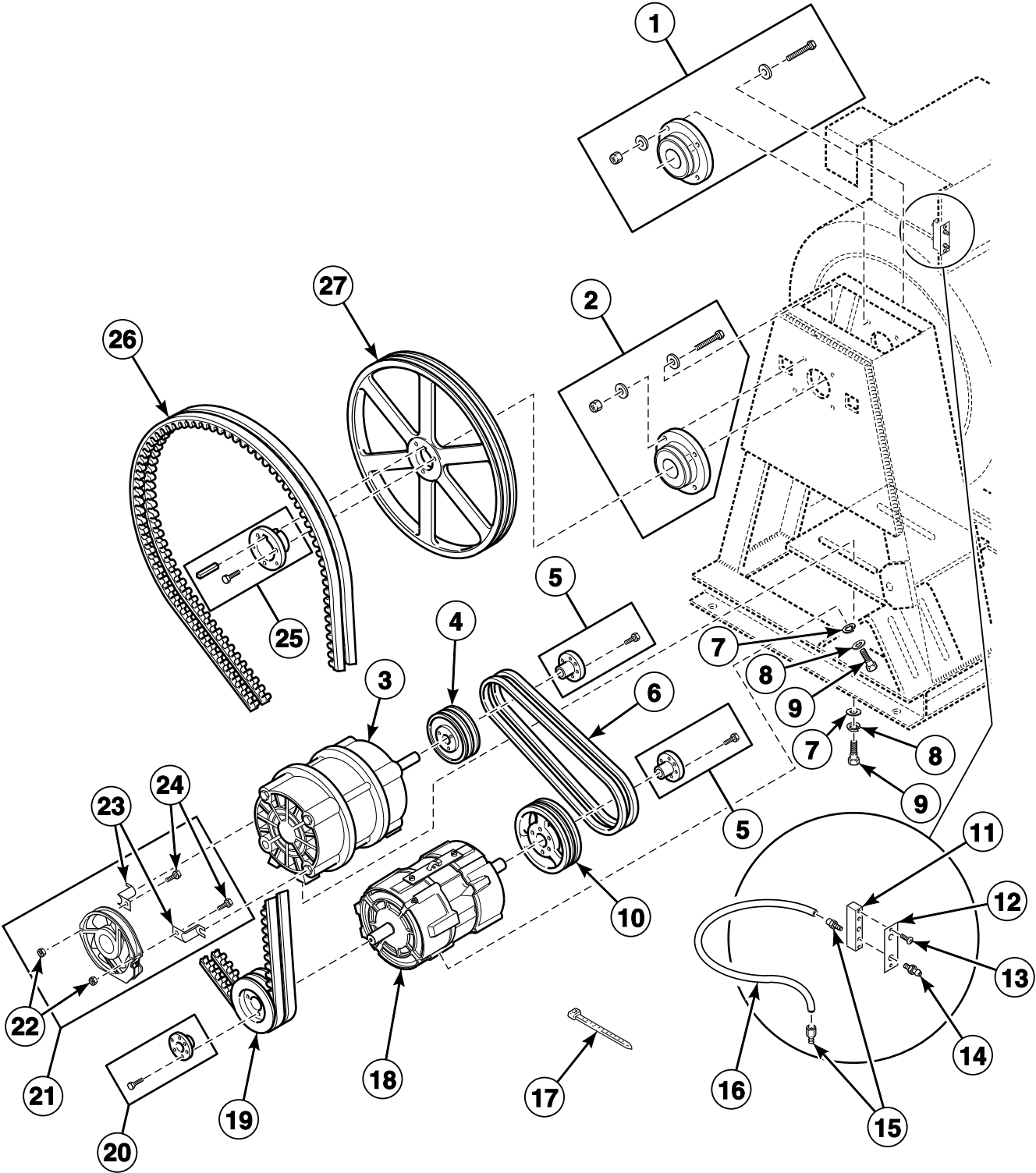
PHM2901P_F232149

Motor, Bearings, Pulley and Belt - Models UW60P3 and UW60S3

REF	PART NO.	DESCRIPTION	COMMENTS
1	F798824-00	Front Bearing Kit	Includes F170120RP Shell Band Gasket, F100203 Slinger, F170125P Shell Band, F8162101 Seal, F8502307 Gasket, F8637601 Bearing and hardware
2	F745010	Rear Bearing Kit	Includes hardware
3	F8598101P	Motor	208 or 240 Volt; Wash
	F220425P	Motor	380 or 415 Volt; Wash
4	F280297	Pulley Bushing	SH; 1-1/8; Extract; Inside
5	M400014	Washer	
6	F430116	Screw	
7	800461	Screw	
8	F422114	Air Coupling	
9	F231563	Grease Instruction Decal	Lubrication
10	F190701	Grease Fitting	
11	F430332	Washer	
12	J1408004	Connector	
13	C000628P	Tubing	
14	F280349	Belt	50 Hertz; 3V375
	F280351	Belt	60 Hertz; 3V355
15	F140605	Cable Tie	6 inch
16	F220413P	Motor	208 or 240 Volt/60 Hertz; Extract
	F220427P	Motor	380 or 415 Volt/50 Hertz; 440 or 480 Volt/60 Hertz; Extract
17	N/A	Pulley	50 Hertz; BK52H; Extract; Outside
	F280132P	Pulley	60 Hertz; BK45H; Extract; Outside
18	F280211P	Motor Pulley Bushing	H-1-1/8; Extract; Outside; Includes hardware and key
19	F430802	Key	
20	F280408	Pulley	2GR3V6SH; Extract; Inside; 2 groove; 6 inch OD
21	F280298P	Pulley Bushing	JA 7/8; Includes item 19 and hardware; Wash
22	F280299	Pulley	2G3V28JA; Wash; 2 groove; 2.8 inch OD
23	F430803	Key	
24	F140605	Cable Tie	
25	F200280700	Motor Drip Shield	
26	F430801	Key	
27	F280409P	Bushing	2-7/16; Includes item 26 and hardware
28	F280309	Belt	BX100
29	F280410	Pulley	1B255K

N/A = Part no longer available

Motor, Bearings, Pulley and Belt - Models UW65P4, UW85P3 and UW85P4



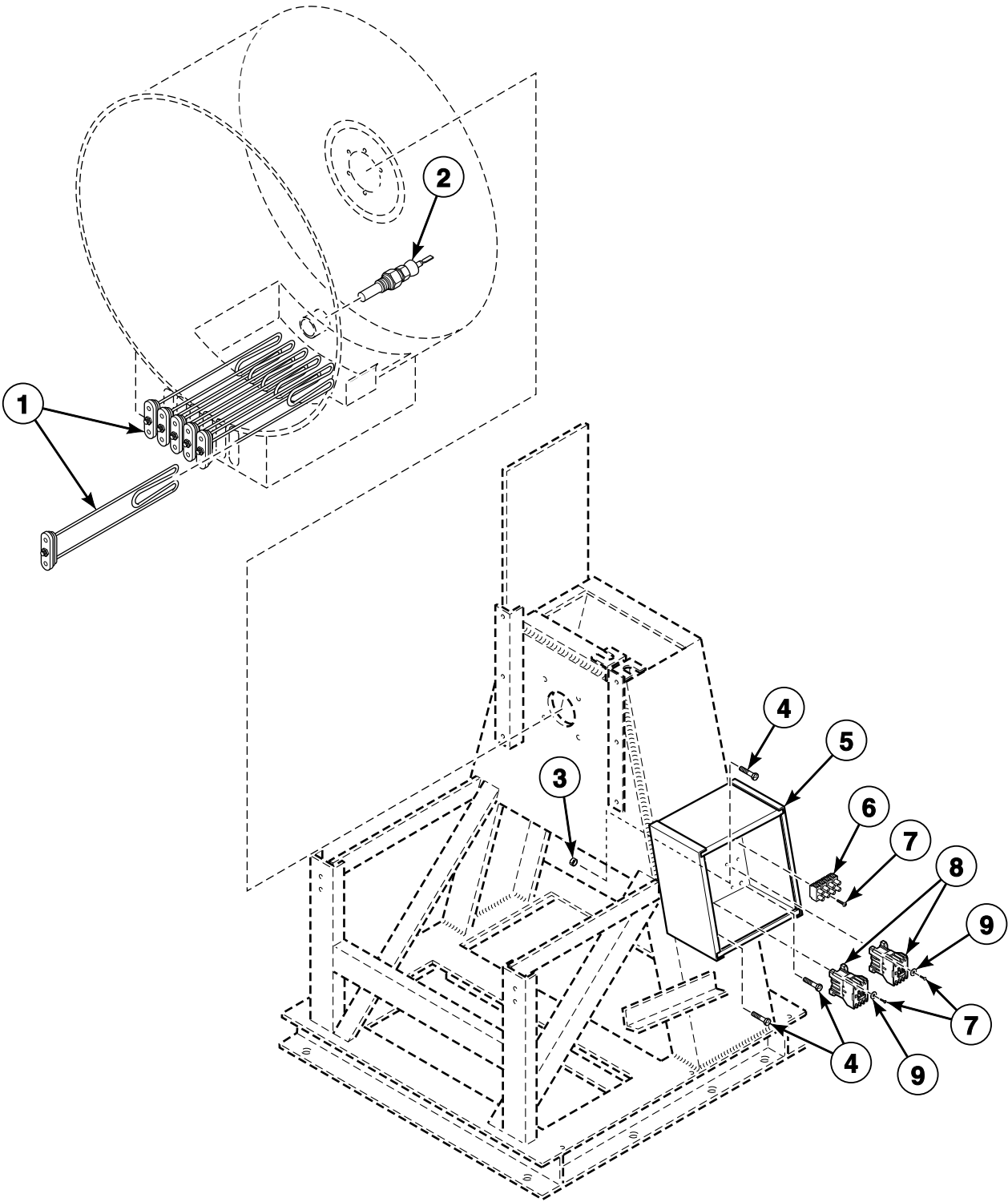
PHM3134P_F232149

Motor, Bearings, Pulley and Belt - Models UW65P4, UW85P3 and UW85P4

REF	PART NO.	DESCRIPTION	COMMENTS
1	F798831-00	Front Bearing Kit	
2	F745006	Rear Bearing Kit	
3	F220310P	Motor	208-240 Volt/60 Hertz/3 Phase; Wash; Models UW65P4 and UW85P4; Uses F100108 (Elmo), F220736 (Century) and F220740 (L/S) Motor Bearings
	N/A	Motor	380-415/50 Hertz/3 Phase and 440-480/60 Hertz/3 Phase; Wash; Uses F100108 (Elmo), F220736 (Century) and F220740 (L/S) Motor Bearings
	F220203P	Motor	208-240 Volt/60 Hertz/3 Phase; Wash; Model UW85P3
	N/A	Motor	380-415 Volt/50 Hertz/3 Phase; 440-480 Volt/60 Hertz/3 Phase; Wash; Model UW85P3
4	F280128	Motor Pulley	
5	F280212	Motor Pulley Bushing	Includes screws, washers and key
6	F280307	Belt	Models UW65P4 and UW85P4
	F280312	Belt	Model UW85P3
7	M400014	Washer	
8	M400081	Washer	
9	800461	Screw	
10	F280160	Motor Pulley	
11	F320326	Grease Manifold	
	F745401	Manual Bearing Greasing Retrofit Kit	Includes items 12 and 14-16, F630433 Grease Manifold Bracket, F430211 Nut, F430322 Washer, F430923 Screw, F430925 Screw and F431024 Nut
12	F230745	Lubrication Instruction Decal	
13	F430916	Screw	
14	F190701	Grease Fitting	
15	J1408004	Connector	
16	C000628P	Tubing	
17	F140605	Cable Tie	
18	N/A	Motor	208-240 Volt/60 Hertz/3 Phase; Extract; Uses F100108 (Elmo), F220736 (Century) and F220740 (L/S) Motor Bearings
	F220309P	Motor	380-415 Volt/50 Hertz/3 Phase and 440-480/60 Hertz/3 Phase; Extract; Uses F100108 (Elmo), F220736 (Century) and F220740 (L/S) Motor Bearings
19	N/A	Pulley	Model UW65P4; 50 Hertz
	F280128	Motor Pulley	Model UW65P4; 60 Hertz
	N/A	Pulley	Models UW85P3 and UW85P4
20	F280212	Motor Pulley Bushing	
21	F758501	Fan Kit	Includes items 22-24
22	F430231	Nut	
23	F602804	Fan Mounting Bracket	
24	F430922	Screw	
25	F280213	Bushing	Includes screws and key
26	F280309	Belt	
27	F280256	Pulley	

N/A = Part no longer available

Electric Heat Option



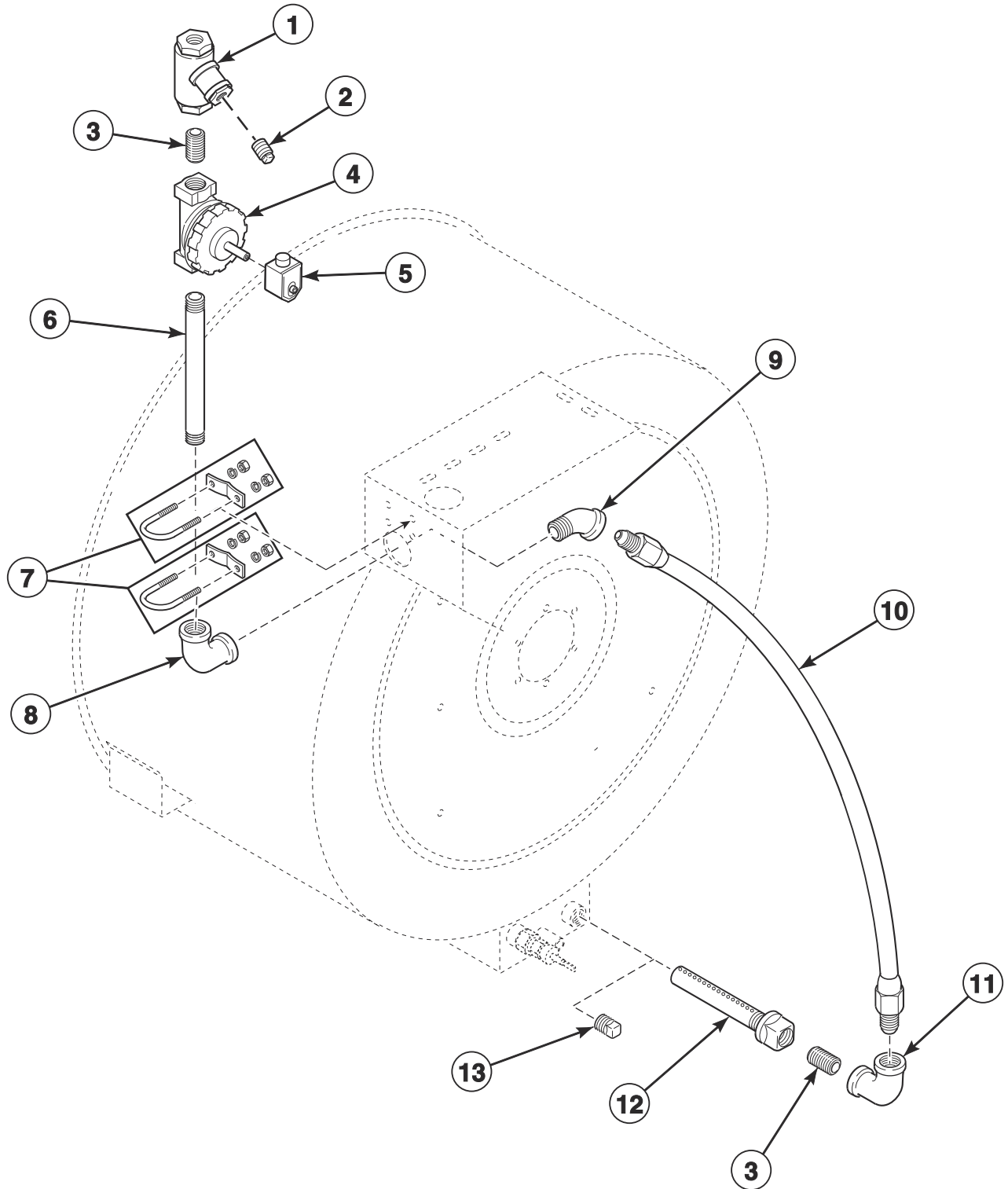
PHM2190P_F232149

Electric Heat Option

REF	PART NO.	DESCRIPTION	COMMENTS
1	F360203P	Heating Element	6 required
2	F370606P	Temperature Probe	
3	F430215	Nut	
4	F430107	Screw	
5	F140413	Box	
6	F140746	Input Power Block	
7	F430938	Screw	
8	N/A	Contactors	Models UW50P2, UW50P3 and UW50P4; 120 Volt
	N/A	Contactors	Models UW50P2, UW50P3 and UW50P4; 220 Volt
	F330187P	Contactors	All other models; 120 Volt; NX208
	F330188P	Contactors	All other models; 220 Volt; NX208
9	F430311	Washer	

N/A = Part no longer available

Steam Heat Option



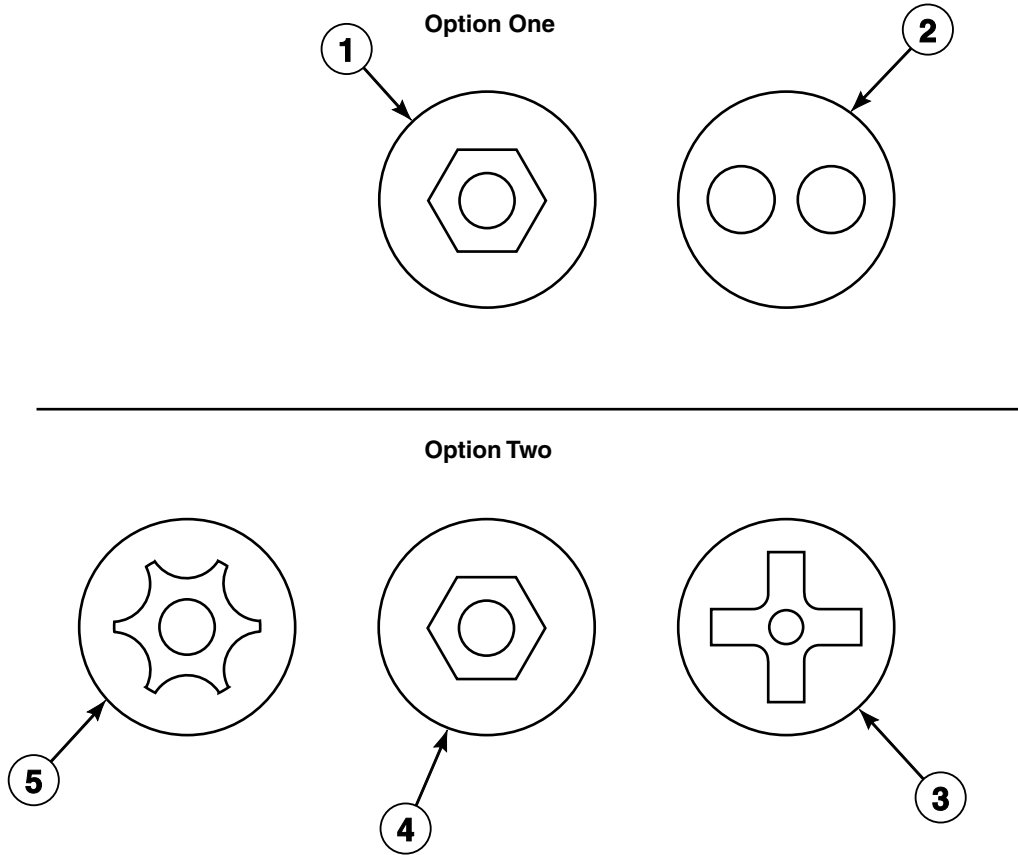
PHM2285P_F232149

Steam Heat Option

REF	PART NO.	DESCRIPTION	COMMENTS
	F8382301	DIN Valve Adapter Kit	Use with F8322802 and F8322801 Valve
	F8379501P	Valve Kit	Use with F8322802 and F8322801 Valve
	F730064	Steam Kit	Models UW50P2, UW50P3 and UW50P4; Includes items 4, 10, 12, F140887 Harness Assembly, F370606 Temperature Probe, F420101 Nipple, F420501 Elbow, F430108 Screw, F430211 Nut, F430322 Washer, F601186 Steam Bracket Assembly, F603440 Steam Adapter Assembly, F605220 Steam Valve Harness and 70214101 Pipe Nipple
	F410300	Pipe Insulation	
1	F270307	Steam Filter	
2	F420409	Plug	
3	70435601	Pipe Nipple	
4	F8322802	Valve	120 Volt; Replaces F380786P Steam Valve; Includes F8514701 Coil; For models that have been upgraded with F8521601 DIN Valve Kit
	F8521501	DIN Valve Kit	1/2 inch; 220 Volt; F380984P Steam Valve Repair Kit
	F8322801P	Valve	220 Volt; Replaces F380787P Steam Valve; Includes F8514601 Coil; For models that have been upgraded with F8521801 DIN Valve Kit
	F8521601	DIN Valve Kit	120 Volt; Replaces F380786P Steam Valve; Includes F8322802 Valve, F8382301 DIN Valve Adapter Kit and F8514701 Coil
	F8521801	DIN Valve Kit	220 Volt; Replaces F380787P Steam Valve; Includes F8322801 Valve, F8382301 DIN Valve Adapter Kit and F8514601 Coil
5	F380986P	DIN Coil	120 Volt; Parker
	F8514701	Coil	120 Volt; Use with F8322802 Valve
	F380987P	DIN Coil	220 Volt; Parker
	F8514601P	Coil	220 Volt; Use with F8322801 Valve
6	N/A	Nipple	
7	F200401P	U-Bolt Clamp	Includes hardware
8	70079601	Elbow	
9	F421108	Elbow	
10	F200153P	Steam Hose	
11	F421703	Street Elbow	
12	F8368201	Steam Injector Tube Assembly	
13	F421507	Plug	

N/A = Part no longer available

Security Fasteners



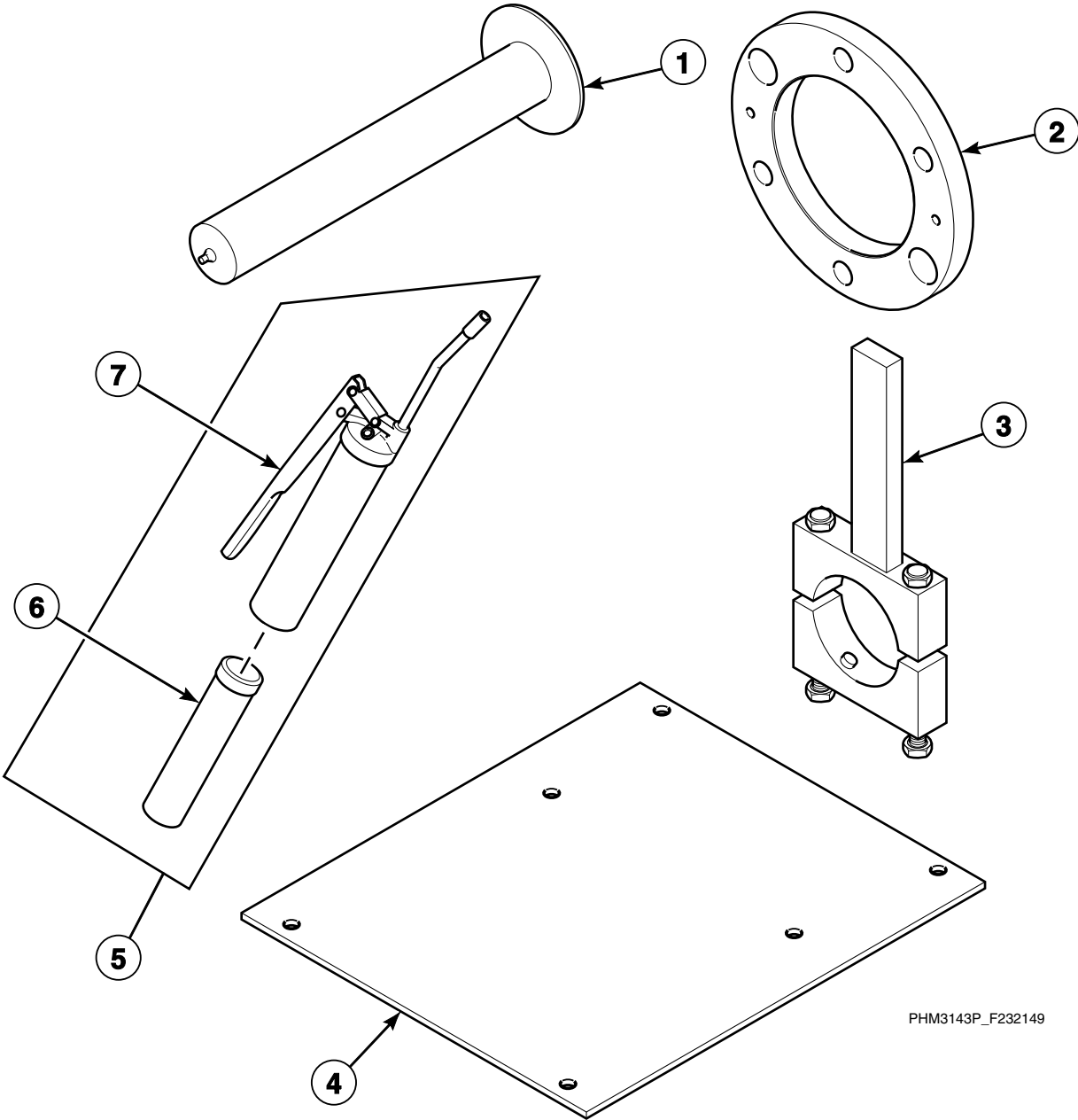
PHM2181P_F232149

Security Fasteners

REF	PART NO.	DESCRIPTION	COMMENTS
1	F0430275-00	Screw	No. 8; 32 x 1/2 inch; Used in place of F430956 Screw; Typical location is the side panels and module cover
	F430960	Screw	No. 10; 32 x 3/8 inch; Used in place of F430904 Screw; Typical location is the module to the shell
	F704906	Hex Bit	
2	F0430273-00	Screw	1/4 inch; 20 x 2-1/2 inch; Used in place of F430996 Screw; Typical location is the door box to the bracket
	F0430272-00	Screw	1/4 inch; 20 x 1-1/2 inch; Used in place of F430921 Screw; Typical location is the side panel to the bracket
	F0430274-00	Screw	1/4 inch; 20 x 1/2 inch; Used in place of F430925 Screw; Typical location is the drive box or the cover
	F704907	Spanner Bit	
3	F432260	Screw	1/4 inch; 20 x 2-1/2 inch; Used in place of F430996 Screw; Typical location is the door box to the bracket
	N/A	Phillips Bit	
4	N/A	Screw	1/4 inch; 20 x 1/2 inch; Used in place of F430925 Screw; Typical location is the drive box or cover
	N/A	Hex Bit	
5	F432259	Screw	No. 8; 32 x 1/2 inch; Used in place of F430956 Screw; Typical location is the side panels and module cover
	281P4	Torx Bit	

N/A = Part no longer available

Special Tools



PHM3143P_F232149

Special Tools

REF	PART NO.	DESCRIPTION	COMMENTS
	F730055-1	Mounting Bolt Kit	
	F798770	Rebar Frame Kit	UW60 models; Order with equipment
	1113P	Concrete Hardware Kit	
1	F633426	Alignment Shaft Assembly	UW50 and UW60 models
	F633430	Shaft Assembly	UW65 and UW85 models
2	F0100312-00	Shaft Seal Alignment Fixture	UW60 models
3	F460130	Bearing Removal Tool	UW50 models
	N/A	Bearing Removal Tool	UW85 models
4	F602941	Rebar Frame Template	UW50 and UW60 models
	N/A	Rebar Frame Template	UW65 models
	F601648	Rebar Frame Template	UW85 models
5	F798700	Grease Gun Kit	Includes items 6 and 7
6	F210206P	Bearing Grease	
7	F210207P	Grease Gun	

N/A = Part no longer available

Parts Index

A

Adapter	
F421903	39, 41
F422508	47
F8265701	35
Air Coupling	
F422114	79
Air Trap Hose	
F020014200	11, 15
F200163	11, 13
Alignment Shaft Assembly	
F633426	89
Antisiphon Valve	
F380801P	41

B

Balance Switch Bracket	
F601750	25
Basket Assembly	
F603427	57
F603697	57
F632015	57
Battery	
F191101	15, 19
Battery Adapter Board	
F370529P	19
Battery Backup Wire Harness	
F140249	19
Bearing Grease	
F210206P	89
Bearing Removal Tool	
F460130	89
Before Power Is Connected Tag	
F230501R2	9
Belt	
F280306	75
F280307	81
F280309	71, 73, 75, 77, 79, 81
F280312	81
F280338	75
F280349	73, 79
F280351	73, 79
F280353	75
Belt Inspection Port Cover	
F200188300	69
Bolt	
F430153	71
F430509	73, 75
Bottom Fill Tube Assembly	
F610256	55
Box	
F140413	83
Bracket Casting	
F150200	65
Bushing	
F280213	81
F280257	75

F280409P	71, 73, 77, 79
Buzzer	
F300203P	13, 17

C

Cable Assembly	
F604713	13, 17
Cable Tie	
F140605	77, 79, 81
Cage Wrap Kit	
F603702	69
F757800-1	69
Cap	
F190300	65
Chafe Strip	
F601244	49
Chemical Supply Cup	
F150385	29, 31
F150386	29, 31
Chemical Supply Hose	
F150392	31
F150469	29
F150471	29
Circuit Breaker	
F350210	17
Clip	
F601515	77
Clockwise Spin Rotation Decal	
F230652	9, 61
Coil	
F380900	17, 21, 23, 27
F380901P	39, 41, 43
F380902P	41
F380917	17, 21, 23, 27
F8514601P	33, 35, 85
F8514701	33, 35, 85
Cold Water Valve Decal	
F0231368-00R4	9
Computer	
F370555-00P	21
Computer Cover	
F606826	17
Concrete Hardware Kit	
1113P	89
Conductor Decal	
F231146	9
Connector	
F140309	19
F140575P	13, 17
F140576P	13, 17
F422500	15
J1408004	77, 79, 81
Contact Base	
F8538101	17
Contact Block Switch	
F200233401P	17
F340445	17
Contact Switch	
F8069501	17

N/A items do not appear in index.

Contactor	
F330110P	11
F330114	11
F330115P	11
F330175P	13, 15, 19, 23
F330177P	13, 15, 19, 23
F330178P	13, 15, 19
F330179P	13, 15, 19
F330187P	83
F330188P	83
Contactor Mounting Panel Assembly	
F608381	15
F608382	19
Containment Device	
F0380809-00	45
Control Module Decal	
F230687	23
F230721	17
F230795	21
Control Transformer Cover	
F140425	59
Cotter Pin	
F430401	71, 77
F431201	65
Coupling	
F420301	55
Cycle Selector Switch	
F340442	23
Cycle Timer	
F160301P	23
F160304P	23

D

Diaphragm and Guide Kit	
G582P3	27
DIN Coil	
F380986P	33, 35, 85
F380987P	33, 35, 85
DIN Harness Assembly	
F141901P	33, 35
DIN Valve Adapter Kit	
F8382301	33, 35, 85
DIN Valve Kit	
F8521601	85
F8521801	35, 85
Disconnect Power Warning Label	
D505281R3	9
Dispenser Assembly	
F0150512-00P	29, 31
Dispenser Lid	
F0150514-00	29, 31
Do Not Push Decal	
F230302	9, 69
Door Assembly	
F200119600	61
Door Box	
F606630	63
Door Box Assembly	
F603665	63
F603666P	63
Door Box Mounting Plate Assembly	
F605525	63

Door Bumper Bushing	
F430416	61
Door Bumper Moulding	
F150366	61
Door Butt Shim	
F0610695-00	61
Door Gasket	
F017014501	61
F170144	61
F170145	61
Door Glass Gasket	
F170117	61
Door Glass Kit	
F290200P	61
Door Glass Retainer	
F601239	61
Door Handle Casting	
F150203	63
Door Hinge Pin	
F601815	61
Door Hinge Strap	
F200030600	61
Door Hinge Strap Kit	
F200030600P	61
Door Kit	
F730307	61
F730539	61
F730540P	61
Door Latch Bracket Shim	
F602058	63
Door Lock Collar	
F150288	65
Door Lock Gasket	
F170135	65
Door Lock Plunger	
F601081	65
Door Lock Solenoid	
F300118P	63
F300129P	63
Door Lock Solenoid Spring	
F310119	65
Door Push Brace	
F603683	63
Door Solenoid	
F300101P	65
F300105	65
Drain Conversion Kit	
F0798775-00	49
F0798776-00	49
Drain Hose	
F150438	47
F150442	47
F610376P	47, 53
Drain Lift Tube	
F602101	49
Drain Valve	
F8406304	51
Drain Valve Cover	
F200133600	47, 51
Drain Valve Insert Ring	
F602139	53
Drain Valve Kit	
F200166302	47
F200166402	47

N/A items do not appear in index.

Drain Valve Motor	
803292P.....	47, 49
803293P.....	47, 49, 51
Drain Valve Motor Cover	
F602372.....	49
Drain Valve Motor Linkage	
F602274.....	49

E

Elbow	
F420509.....	35, 39
F421108.....	85
F422900.....	53, 55
F8453701.....	61
70079601.....	85
Emergency Stop Button Kit	
F200233700P.....	17
Emergency Stop Decal	
F231083.....	17
Emergency Stop Pushbutton	
F200233500.....	17
Extension Arm Kit	
F746802.....	63
F746803.....	63
Extension Arm Tab	
F601639.....	63
External Supply Connection Decal	
F0230764-02.....	27
F230764-1.....	27
F230764-7.....	21, 27
F230917-1.....	9
External Supply Control Decal	
F230606.....	27
External Supply Decal	
F230622.....	27
Extrusion Insert	
F150397.....	69

F

Face Seal	
F8162001.....	59
Fan Kit	
F758501.....	81
Fan Mounting Bracket	
F602804.....	81
Fill Plumbing Assembly	
F633146.....	35
F633146-1.....	35
F633146-2.....	35
F633146-3.....	35
F633146-4.....	35
F633146-5.....	35
F633146-6.....	35
F633146-7.....	35
Flange Relay	
F330227.....	13, 15, 19, 23
F330230.....	13, 15, 19, 23
Frame Assembly	
F601560.....	59
F633376.....	59
F633378.....	59

Front Bearing Kit	
F798824-00.....	71, 73, 75, 77, 79
F798831-00.....	81
Front Panel	
F601053P.....	69
F601198P.....	69
F609744P.....	69
F635649P.....	69

Fuse

F350104.....	11, 13, 19, 23
F350108.....	11, 15, 19
F350109.....	15, 19
F350110.....	19
F350115.....	15, 21
F350133.....	15
Fuse Board Kit	
F730292.....	11
Fuse Holder	
F0350312-10.....	21
F350304P.....	11, 13, 19, 23

G

Gasket	
F170158P.....	29, 31
F170402P.....	27
Gate Valve	
F380500.....	35
Glass	
F290201P.....	61
Grease Fitting	
F190701.....	77, 79, 81
Grease Gun	
F210207P.....	89
Grease Gun Kit	
F798700.....	89
Grease Instruction Decal	
F231563R3.....	79
Grease Manifold	
F320326.....	77, 81
Ground Terminal Lug	
F140734.....	11, 13, 17, 19, 23

H

Harness Kit	
F141870P.....	15
Heating Element	
F360203P.....	83
Hex Bit	
F704906.....	87
Hose	
F200104P.....	37
F200105.....	55
F200126.....	49
F610076.....	55
F610086.....	27
F610088.....	27
F610196.....	27
F610398.....	27
Hose Adapter	
F421908.....	33, 39, 41
F421909.....	35, 39, 43

N/A items do not appear in index.

Hose Barb	
F421929	47, 53, 55
F421930	43
F421951	35
F421964	35
Hose Clamp	
F200201	47, 49, 53, 55
F200206	37
F200213	29, 31, 47, 53, 55
F200215	51
F200222	37
36801	27, 47, 55
Hose Connector	
F200302	17, 21, 23, 27
Hose Strap	
F605324	69
Hot Surface Warning Decal	
F200085000R1	9
F231380	9
Hot Water Valve Decal	
F0231367-00R3	9

I

Injection Nozzle	
F8322001	27, 29, 31
Injection Nozzle Kit	
F730168	27, 29, 31
Input Assembly	
F141869P	21
Input Power Block	
F140746	11, 13, 17, 19, 23, 83
Input Power Connector Decal	
F230677	17, 19
Insulator Bushing	
F140909	19, 27
Interlock Contactor	
F330186P	13, 15, 19
Interlock Switch	
F340900	25, 63, 65
Interlock Switch Spacer	
F601055	63, 65

J

Jumper	
F603433	11
F603434	11
Junction Box Cover	
F140401	11

K

Key	
F430801	77, 79
F430802	77, 79
F430803	79
F430820	71
Keymode Decal	
F230678	13, 17, 19

Keymode Run/Program Switch	
F340800P	11, 13, 17
Keypad	
F370576P	21
Keypad Decal	
F230724P	13, 17

L

Left Door Box	
F601202	67
Left Side Panel	
F602893	69
F602894	69
Level Switch Mounting Bracket	
F603912	11, 13
Light	
F350411	23
F350412	11, 13, 17, 19, 23
F350413	23
Lower Door Latch Bracket Casting	
F150202	63
Lower Door Latch Casting	
F150204	63
Lower Hose	
F150391	31
Lubrication Instruction Decal	
F230745R2	77, 81

M

Magnet	
F8390801	63
Magnetic Switch Assembly	
F8746601	63
Main Drive Kit	
F380918	47, 51
Manual Bearing Greasing Retrofit Kit	
F745401	77, 81
Mechanical Interlock	
F330111	11
Microswitch	
F340906	25
Microswitch Decal	
F340600P	11
Module Cover Assembly	
F606138	15
Momentary Switch	
F340412	17, 21, 23
Motor	
F220203P	81
F220304P	75
F220306P	75
F220307P	75
F220309P	81
F220310P	81
F220370	71, 77
F220413P	73, 79
F220425P	73, 79
F220427P	73, 79
F8597805P	71, 77
F8598001P	71, 77

N/A items do not appear in index.

F8598101P	73, 79
Motor Adjustment Strap F602166	71
Motor Bushing F280214	71, 77
Motor Drip Shield F200280700	71, 77, 79
Motor Pulley F280128	75, 81
F280160	75, 81
Motor Pulley Bushing F280211P	75, 79
F280212	75, 81
Motor Reinforcement Plate F601863	73, 75
Motor Support Bushing F200186100	71, 77
Motor Support Rod F601114	71
Motor Support Rod Kit F730076	77
Mounting Bolt Kit F730055-1	89
Mounting Bracket F604214	23

N

Nipple	
F420101	33, 35, 39, 41
F420103	33, 39, 41
F420105	33, 35, 39, 41, 43
F420107	35
F420108	39, 43
F421949	33
No-Swivel Coupling F422109	61
Nut	
F0431807-00	69
F430202	59
F430211	57, 65, 69
F430215	49, 59, 69, 83
F430231	15, 19, 63, 81
F430232	63
F430233	71
F430264	69
F431000	17
F431002	63
F431005	59
F431006	11
F431022	11, 13, 15, 17, 19, 21, 23, 27, 61
F431042	29, 31
F8549401	61, 63
H88412101	25
20274	25, 59, 61, 73, 75
685846	13
70142	59
802292	27, 29, 31
Nylon Sleeve F431911	11

O

O-Ring	
F0170221-00	45
F170200	61
F170215	29, 31
801632	27, 29, 31
Output Board CCA	
F370449P	19
F370450P	19
Output CCA	
F0370444-10P	13, 15
F8321901P	15
Overflow Hose F150308	53
Overflow Plug F150352	51

P

Perma Lubricator F210204P	75
Personal Injury Warning Decal F231065	9
Pin F430415	69
Pipe	
F0602364-06	31
F0602364-07	53
F0602364-19	55
F0602364-23	55
F0602364-25	47
F0602365-01	47
F0602365-16	55
F0602365-20	55
F0602365-22	47
F0602365-27	55
F610040	55
F610094	53
Pipe Insulation F410300	85
Pipe Nipple 70435601	85
Plug	
F140527	17, 19, 23, 27
F420408	35
F420409	85
F421507	85
Plug Cap F190304	29, 31
Pop Rivet F431210	55
Program Key F370709	17
Programmer Key F370705	11
Pulley	
F280132P	71, 73, 77, 79
F280146P	71, 77
F280256	75, 81
F280299	73, 79
F280408	73, 79
F280410	71, 73, 77, 79

N/A items do not appear in index.

Pulley Bushing	
F280297	73, 79
F280298P	73, 79
Push Decal	
F230303R2	63
Push Handle Kit	
F746201-1	63
Pushbutton Boot	
F340409	11, 13

R

RC Network Filter	
F330217P	11, 13, 15, 19, 63, 65
Rear Bearing Kit	
F745006	81
F745010	71, 73, 75, 79
Rear Beraring Kit	
F745010	77
Rear Panel	
F200187900P	69
F200188000P	69
Rebar Frame Kit	
F798770	89
Rebar Frame Template	
F601648	89
F602941	89
Reducer Bushing	
F422602	47, 55
Relay	
F330203	23
F330206	23
Relay CCA	
F370437P	21
Repair Kit	
F380914P	41
F380915P	39, 43
Ribbon Cable	
F140219P	13, 15, 21
Right Door Box	
F601523	65
Right Side Panel	
F602009	69
F602010P	69
Ring Retainer	
F310206	61
Rocker Switch	
F340411	23
Rod End Clip	
F431205	49
Rub Rail	
F150408	59, 69
F601224	69
F601236	69

S

Screw	
F0430272-00	87
F0430273-00	87
F0430274-00	87
F0430275-00	87

F430101	49
F430103	49, 61
F430107	83
F430116	79
F430124	25
F430152	27
F430168	63
F430174	15
F430500	57
F430502	61, 65
F430900	25
F430903	11, 17, 23
F430909	63
F430910	19
F430916	11, 13, 17, 19, 23, 27, 63, 77, 81
F430917	17, 29, 31, 61, 63, 65
F430920	13, 19
F430921	69
F430922	23, 81
F430924	59
F430925	65
F430927	63
F430928	11, 13, 17, 21, 23
F430935	59
F430938	45, 83
F430948	27
F430956	63, 69
F430960	87
F430995	63
F430996	63
F432234	69
F432259	87
F432260	87
70240301	69
800461	25, 59, 73, 75, 79, 81

Scupper	
F150389	55
Seal Kit	
F798819-00	59
Shaft Assembly	
F633430	89
Shaft Seal Alignment Fixture	
F0100312-00	89
Sheave Pulley	
F280135	71
F280148	71
Shell Assembly	
F603731	59
F634438	59
Shell Band Assembly	
F603344P	57
F603910	57
F603911	57
Shell Band Gasket	
F170120RP	57
Shell Front Assembly	
F200119900P	57
Shell Front Kit	
F730477P	57
F730531P	57
F741303P	57
F741308P	57
Shell Front Weldment	
F8135801P	57
Shell Gasket Shield	
F601216	57

N/A items do not appear in index.

Shell Mounting Bracket F601806.....	59	Steam Hose F200153P.....	85
Shell Reinforcement Plate F601359.....	59	Steam Injector Tube Assembly F8368201.....	85
Shell Reinforcement Plate Assembly F8084201.....	47, 59	Steam Kit F730064.....	85
Shell Weldment F634438-1.....	59	Strain Relief Adapter Kit F749802.....	29, 31
Side Panel F630323.....	69	Strain Relief Connector F140340P.....	29, 31
Side Panel Bracket F601982.....	69	Street Elbow F420500.....	33, 35, 39, 41
Side Panel Cover F606667.....	69	F420502.....	33, 35, 39, 41, 43
Signal Light F350404.....	11, 13, 17, 19, 23	F421703.....	85
Slinger F100203.....	59	Supply Dispenser Hazard Caution Decal F231436.....	9, 29, 31
F100204.....	59	Supply Dispenser Spacer F0150525-00.....	29, 31
Soap Dispenser Hose F150309.....	47	Supply Valve Cover F603650.....	27
Soap Dispenser Shroud Weldment F8024301.....	29, 31	Switch F340403P.....	11, 13
Soap Supply Cup F603411.....	27	F340901.....	67
Solenoid Valve F380700P.....	39, 41	Switch Extension F340913.....	67
F380701P.....	41	Switch Mounting Bracket F604213.....	23
F380702P.....	39, 43	Swivel Coupling F422108.....	61
Spanner Bit F704907.....	87	<hr/>	
Spray Plumbing Assembly F633150.....	33	T	
F633150-1.....	33	Tee F420400.....	39, 41
F633150-2.....	33	F420401.....	33, 39, 41
F633150-3.....	33	F420402.....	35, 43
F633150-4.....	33	F420403.....	43
F633150-5.....	33	F422801.....	47
F633150-7.....	33	F422803.....	47, 53, 55
F8670901.....	33	F422805.....	11, 13
Spray Rinse Bracket Assembly F602901P.....	57, 61	Temperature Probe F370606P.....	25, 83
Spray Rinse Hose Assembly F730026.....	61	Terminal Strip F140738.....	11, 13, 17, 19, 21, 23, 27
Spray Rinse Hose Kit F730024.....	61	This Machine Must Be Protected Decal F230301.....	9, 27
Spray Rinse Nozzle Kit F730077.....	61	Timer Cycle Indicator F150378.....	23
Spray Rinse Strap F602880.....	61	Timer Glass F150310.....	23
Spray Rinse Tube Assembly F603696-9.....	61	Top Fill Assembly F610260.....	43
F610364.....	61	F610261.....	41
Spring F310127.....	71, 77	Top Latch Bracket Casting F150201P.....	63
Spring Pin H88900683.....	49	Torx Bit 281P4.....	87
Squeeze Connector F140311.....	19	Transformer C000203.....	59
Standoff F180506.....	15, 19	Trim F170400RP.....	27, 29, 31, 69
Steam Filter F270307.....	85	Tube Connector F422106.....	33, 39, 41

N/A items do not appear in index.

Tubing	
C000628P	77, 79, 81
F422404P	11, 13, 15, 23

U

U-Bolt Clamp	
F200401P	33, 39, 41, 85
F200412	37

V

Vacuum Breaker	
F380117	47
Vacuum Breaker Cap	
F0380808-00	45
Vacuum Breaker Kit	
F0798922-00	45
Vacuum Breaker Valve	
F380800P	33, 35, 39, 41, 43, 45
Valve	
F8322801P	85
F8322802	85
F8322803P	33
F8322806	33
F8322905P	35
F8322909P	35
F8735002	35
F8735003	33
F8735004	35
Valve Kit	
F8379501P	85
Valve Rebuild Kit	
F8379501	35
F8379504	35
F8735006	35
Valve Repair Kit	
F380938	27
F380993P	33
Valve Transition Kit	
F8379503P	33
Valve, 4-Way	
F380715P	17, 21, 23, 27
F380725P	17, 21, 23, 27
F381723P	17, 21, 23, 27
F381724P	17, 21, 23, 27

W

Washer	
F430311	23, 83
F430317	49, 57, 69
F430325	71, 77
F430332	79
F431100	59, 61, 63, 69
F431106	17
F431108	15, 63
F431112	59
F431113	11, 13, 15, 19, 21, 23
F431116	59
F431118	63
F431142	63

F431147	29, 31
F8171201	59
F8195301	29, 31
M400013	59
M400014	25, 59, 73, 75, 79, 81
M400080	71
M400081	25, 59, 73, 75, 81
20290	33, 37, 39, 43
803615	33, 37, 39, 43

Water Hose	
F200107P	47, 53, 55
F200108P	37
F200110P	27
F200164	33, 37, 39, 43
F200166	33, 37, 39, 43

Water Level Switch	
F0340347-10P	15, 19
F340308P	11, 13, 15
F340309P	11
F340316P	23

Water Level Switch Bracket	
F630242	15, 19, 23

Water Valve Repair Kit	
F380991P	35

WE-5 Board	
F370717P	11

WE-6 Computer	
F370534-00P	13, 15
