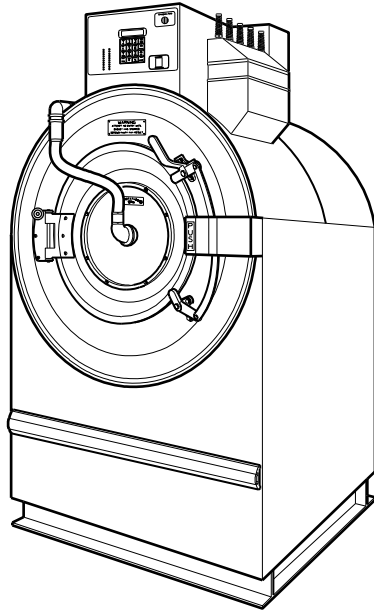


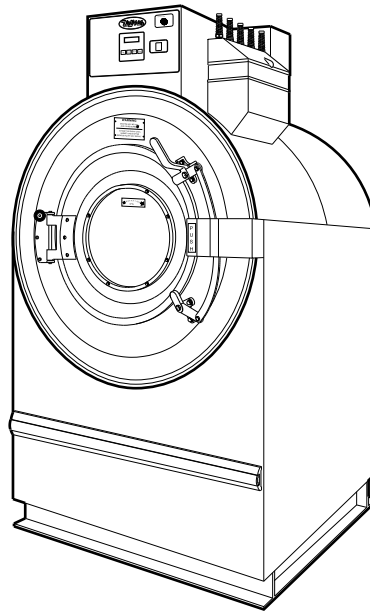
Washer-Extractor

Pocket Hardmount

Refer to Page 3 for Model Numbers



Model UW125PV



Models UW125AV and UW125VV

PHM1412C_F232184

Table of Contents

Title	Page
Parts Ordering Information.....	2
Serial Plate Location	2
Model Identification	3
Pocket Hardmount Washer-Extractor Product Overview	4
Decals	6
Control Module.....	8
Control Module - Model UW125PV (Drawing 1 of 3)	10
Control Module - Model UW125PV (Drawing 2 of 3)	12
Control Module - Model UW125PV (Drawing 3 of 3)	14
Control Module - Model UW125VV	16
Control Module - Model UW125AV	18
Control Module - Models UW125AV and UW125VV (Drawing 1 of 2).....	20
Control Module - Models UW125AV and UW125VV (Drawing 2 of 2).....	22
PowerFlex 40 AC Drive - Model UW125PV	24
PowerFlex 40 AC Drive Kits - Models UW125AV and UW125VV	26
Front, Rear and Side Panels.....	28
Door Assembly (Drawing 1 of 2)	30
Door Assembly (Drawing 2 of 2)	32
Door Box Assembly	34
Basket, Shell and Frame.....	36
Supply Dispenser.....	38
Water Supply Valve and Hoses to Supply Dispenser	40
Spray and Fill Plumbing with 3/4 Inch Parker Valves - Model UW125PV.....	42
Fill Plumbing with 1 Inch Parker Valves.....	44
Spray Plumbing with 3/4 Inch Parker Valves - Model UW125PV	46
Drain Valve and Plumbing - Model UW125PV.....	48
Drain Valve and Plumbing - Models UW125AV and UW125VV	50
Motor, Belt and Pulley.....	52
AC Drive - Model UW125PV	54
Balance Switch, Rotation Sensor and Control Transformer.....	56
Electric Heat Option - Model UW125PV	58
Steam Heat Option and Transformers	60
Wet-Clean Assembly Main View - Model UW125PV	62
Wet-Clean Assembly Control Module - Model UW125PV	64
Security Fasteners	66
Special Tools	68
Parts Index.....	71

© Copyright 2024, Alliance Laundry Systems LLC

All rights reserved. No part of the contents of this book may be reproduced or transmitted in any form or by any means without the expressed written consent of the publisher.

Parts Ordering Information

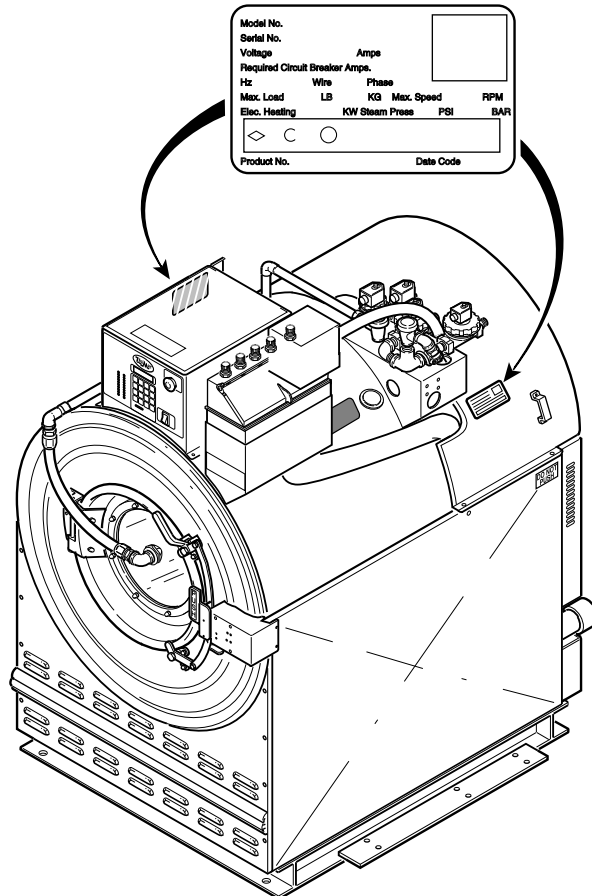
If literature or replacement parts are required, contact the source from whom the machine was purchased or contact Alliance Laundry Systems at (920) 748-3950 for the name and address of the nearest authorized parts distributor.

For technical assistance, call the number listed below:

(920) 748-3121 Ripon, Wisconsin

Serial Plate Location

When calling or writing about your product, be sure to mention model and serial numbers. Model and serial numbers are located on serial plate(s) as shown.



PHM2488P_F232184

Model Identification

Information in this manual is applicable to these washer-extractor models:

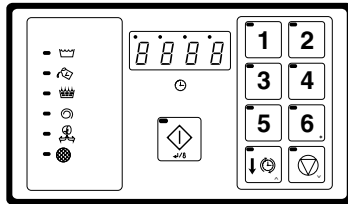
UW125AV
UW125PV
UW125VV

NOTE: This manual applies to models with either 5, 7 or 8 in the 10th position in the model number (e.g. UW125PVQU80001)

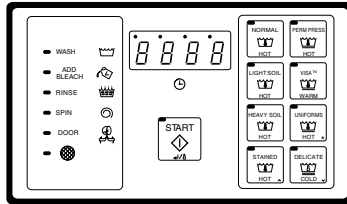
Pocket Hardmount Washer-Extractor Product Overview

Model No. UW60AMXUB0001
 Serial No. 0000000000
 Voltage 200 – 240 Amps 10
 Circuit Breaker 15 Amps
 Hz 50 – 60 Wire 2/3 Phase S 3
 Max. Load 60 LB 27 KG Max. Speed 594 RPM
 Elec. Heating N/A Steam Press. N/A PSI 0.0 BAR

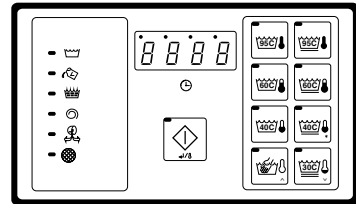
Drawings:
 ETL Listed
 Conforms To ANSI/UL Std. 1206, 3rd Ed
 Certified To CAN/CSA Std. C22.2 No.53-1968



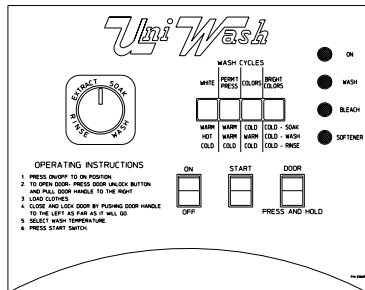
A-Control



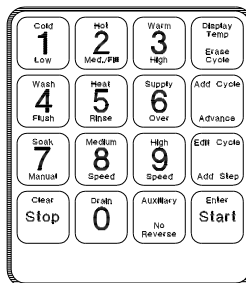
B-Control (Domestic)



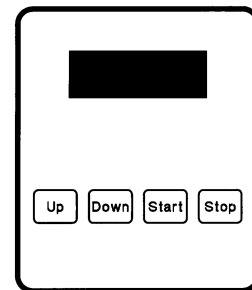
B-Control (International)



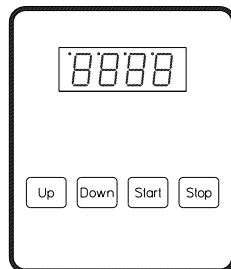
Mechanical Timer



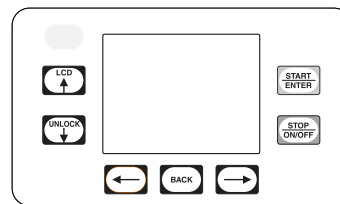
WE-6 Control



S-Computer



V-Computer



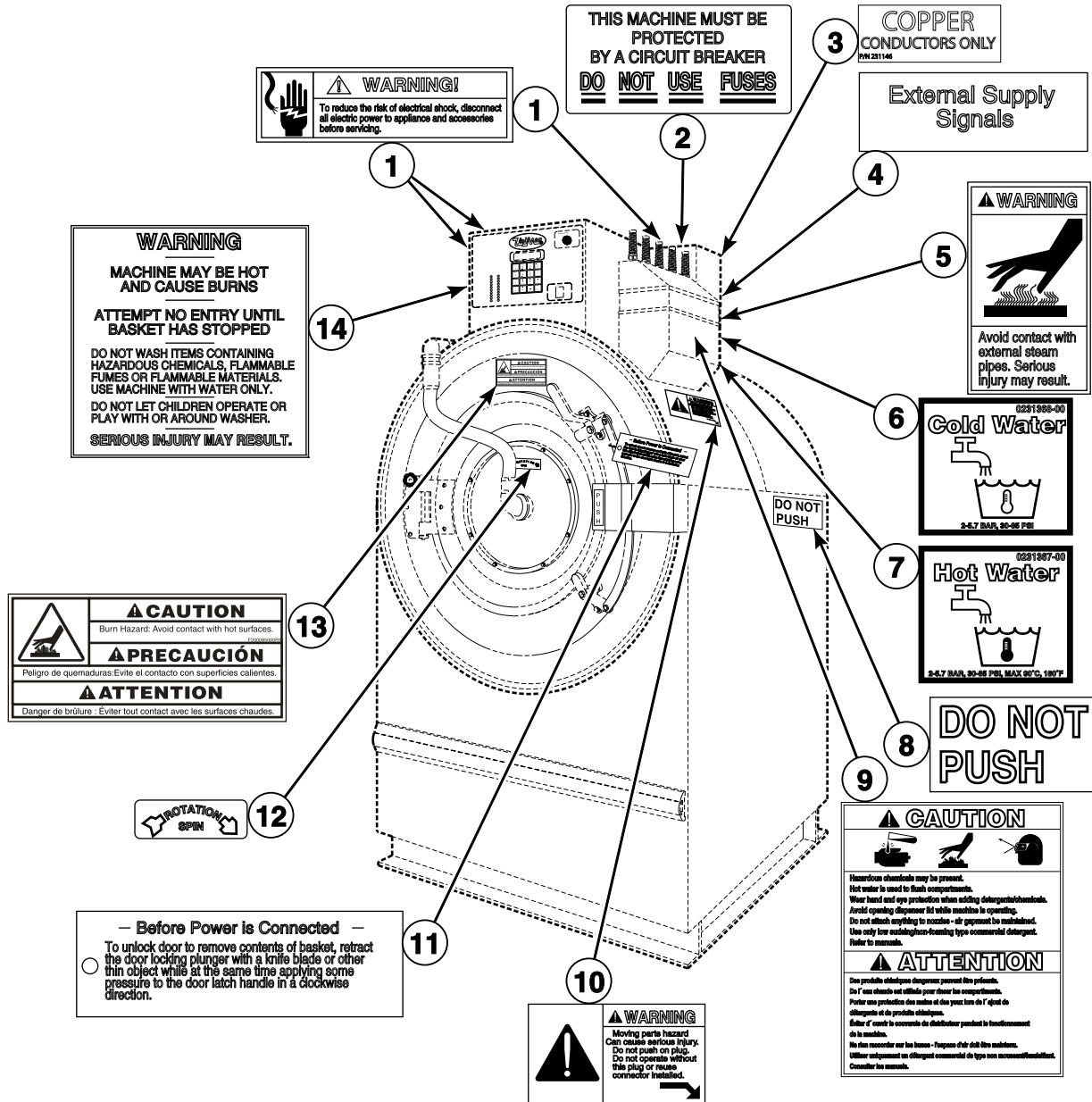
UniLinc Control

PHM2979P_F232184

Pocket Hardmount Washer-Extractor Product Overview

REF	PART NO.	DESCRIPTION	COMMENTS
1	-	Product Family	UW
2	-	Capacity (Pounds)	35 60 80 100 125 150
3	-	Control	A (A-Control) B (B-Control) M (Mechanical Timer) P (WE-6 Control) S (S-Computer) V (V-Computer) T (UniLinc Control)
4	-	Speed	2 (2-Speed) 3 (3-Speed) 4 (4-Speed) V (Variable-Speed)
5	-	Voltage	F (440-480/60/3/3) N (440-480/50-60/3/3) O (208-240/60/3/3) P (380-415/60-60/3/3) Q (200-208/220-240/50/60/3ph) R (380-415/440-480/50/60/3ph) X (200-220/220-240/50/60/1-3) Y (208-240/60/1/2)
6	-	OEM	U (Standard Specs)
7	-	Design Series	1-8

Decals

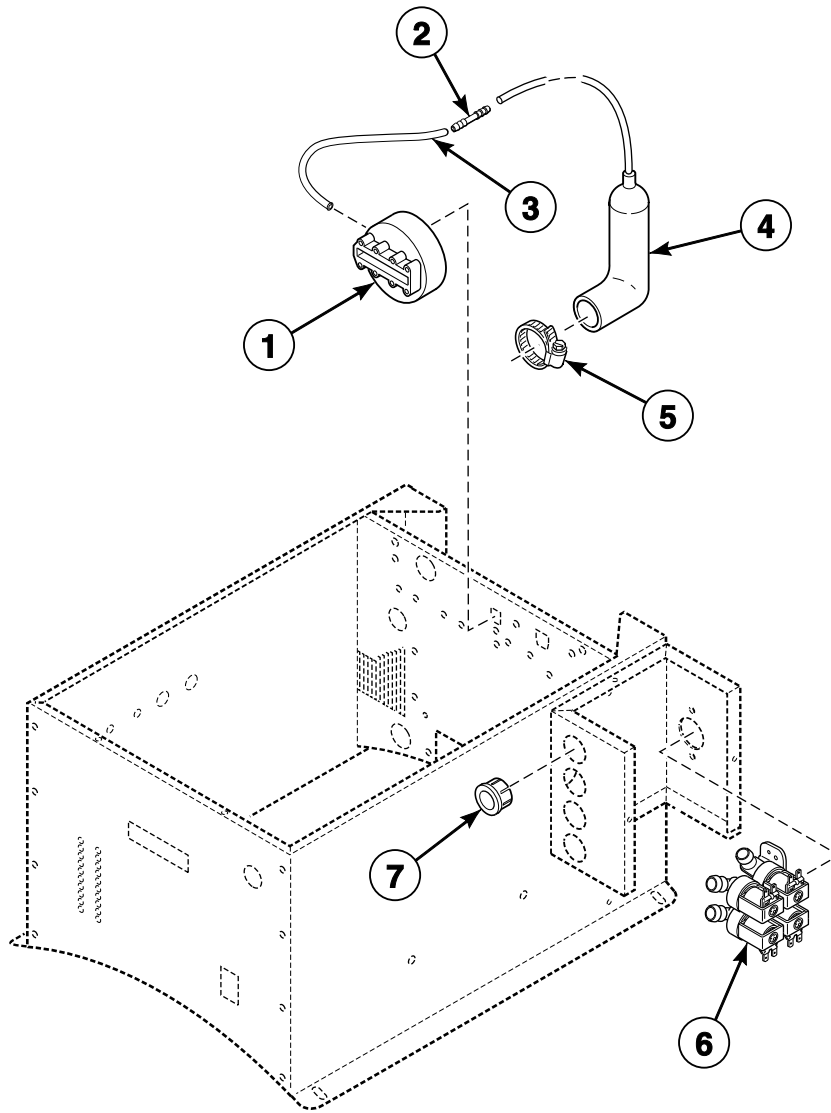


PHM2928P_F232184

Decals

REF	PART NO.	DESCRIPTION	COMMENTS
1	D500316	Warning Label	
2	F230301	This Machine Must Be Protected Decal	
3	F231146	Conductor Decal	
4	F231345-4	External Supply Caution Decal	
5	F231380	Hot Surface Warning Decal	
6	F0231368-00	Cold Water Valve Decal	
7	F0231367-00	Hot Water Valve Decal	
8	F230302	Do Not Push Decal	
9	F231436	Supply Dispenser Hazard Caution Decal	
10	F0230112-00	Plug Removal Warning Decal	Model UW125PV
11	F230501	Before Power Is Connected Tag	
12	F230652	Clockwise Spin Rotation Decal	
13	F200085000	Hot Surface Warning Decal	
14	F231065	Personal Injury Warning Decal	

Control Module

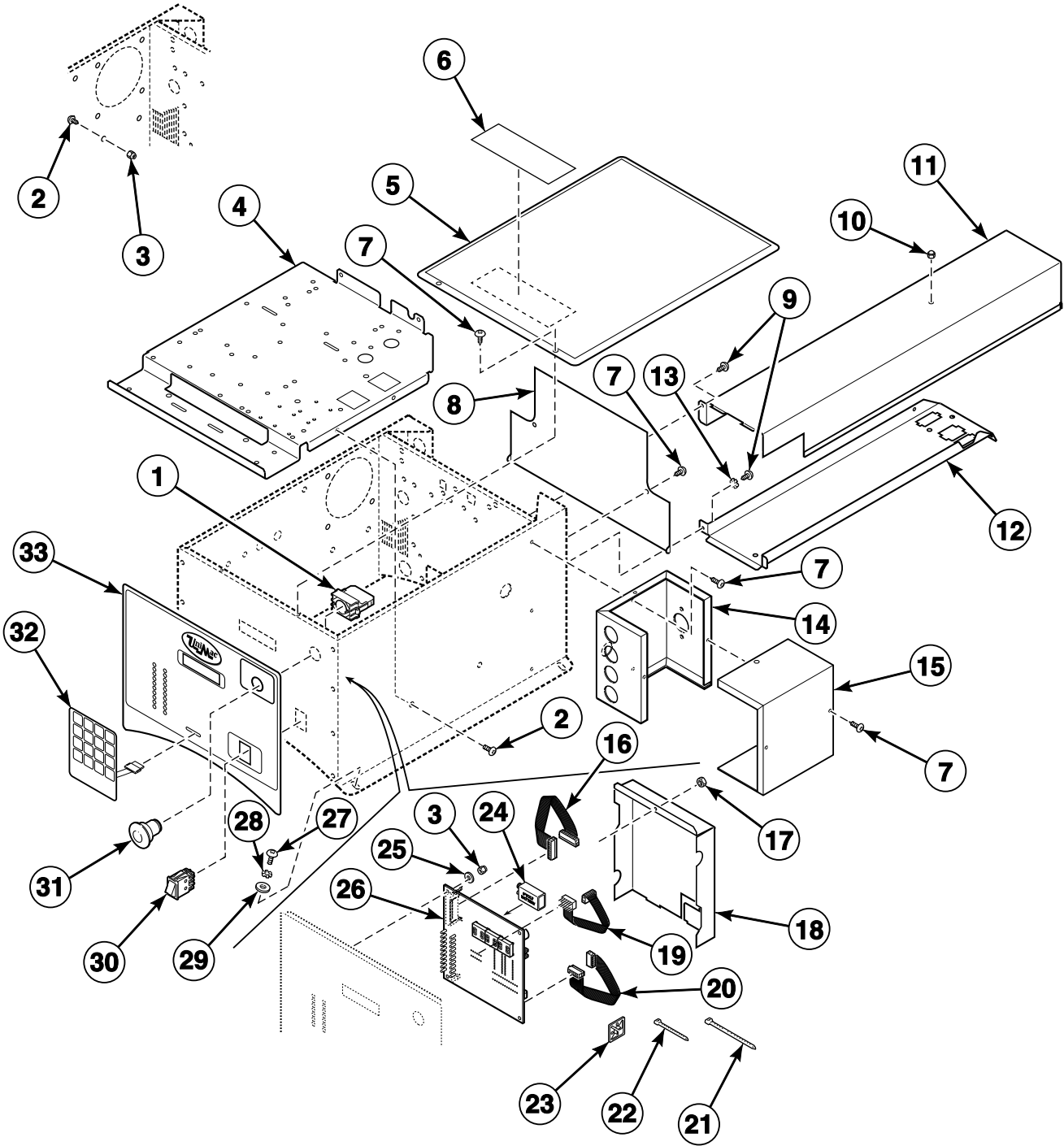


PHM2236P_F232184

Control Module

REF	PART NO.	DESCRIPTION	COMMENTS
1	F0340348-10P	Water Level Switch	
2	F422500	Connector	
3	F422404P	Tubing	
4	F200163	Air Trap Hose	
5	F200215	Hose Clamp	No. 28
6	F381723P	4-Way Valve	220 Volt
	G582P3	Diaphragm and Guide Kit	
7	F140938	Snap Bushing	

Control Module - Model UW125PV (Drawing 1 of 3)



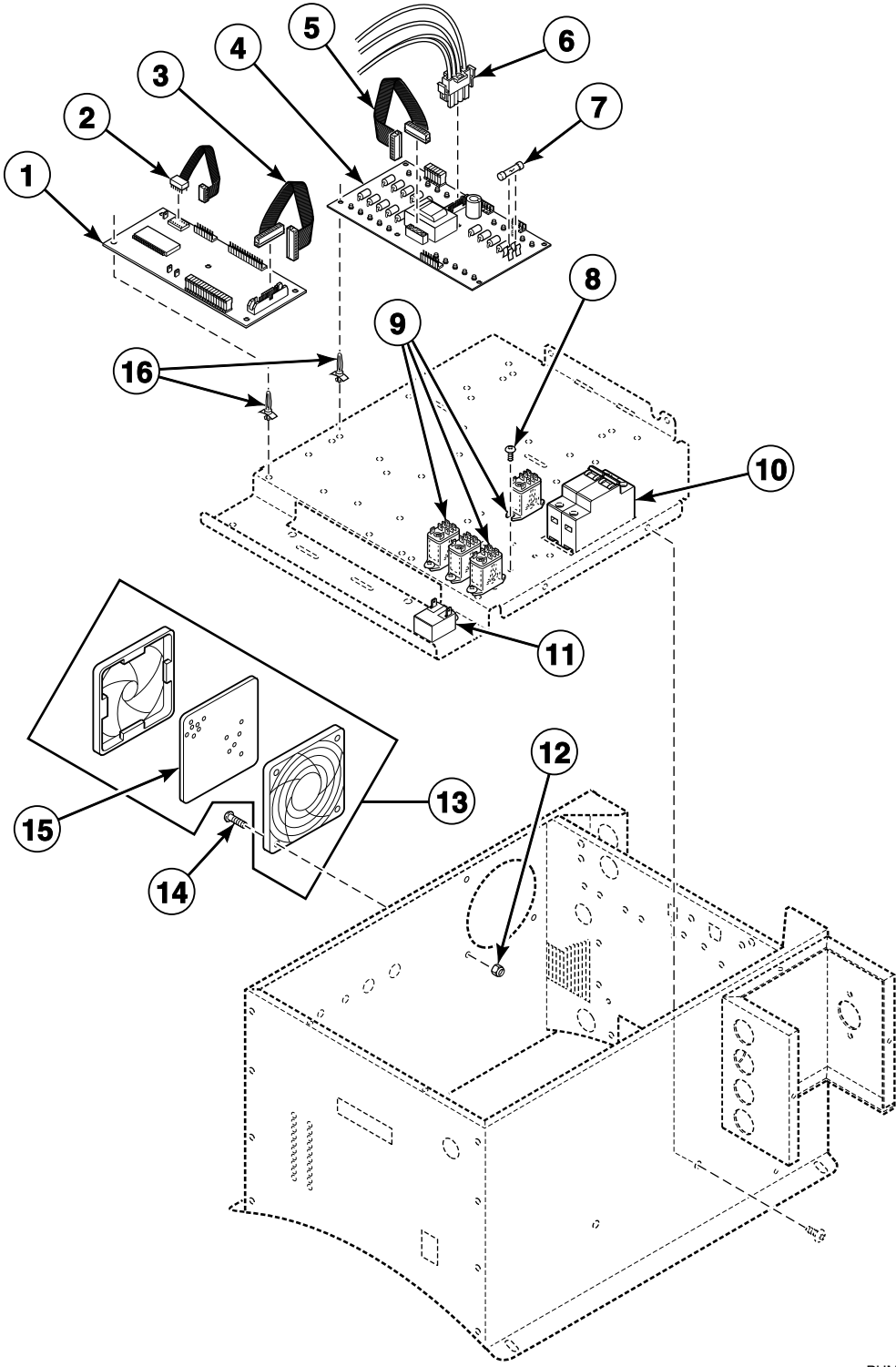
PHM2456P_F232184

Control Module - Model UW125PV (Drawing 1 of 3)

REF	PART NO.	DESCRIPTION	COMMENTS
1	F340445	Contact Block Switch	800E-series; Includes mounting base
	F200299500	Contact Block Switch	800E-series; Does not include mounting base
	F8069501	Contact Switch	
	F8538101	Contact Base	
	F200233401P	Contact Block Switch	800F-series; Includes F8069501 Contact Switch and F8538101 Contact Base
2	F430928	Screw	
3	F430231	Nut	
4	N/A	Control Mounting Panel Assembly	
5	F635456	Control Module Cover	
6	D500316	Warning Label	
7	F430174	Screw	
8	F635448	Electrical Access Panel	Design 5
	F0637549-00	Electrical Access Panel	Design 7 and 8
9	F430917	Screw	
10	F8549401	Nut	
11	F635378	Cable Tray Cover	
12	F0635615-04	Cable Tray Assembly	
13	F431113	Washer	
14	F635468	External Supply Box	
15	F635365	External Supply Box Cover	
16	F140219P	Ribbon Cable	26 conductor; 15 inch; From computer to output cca
17	F431000	Nut	
18	F606826	Computer Cover	
19	F140248P	Ribbon Cable	16 conductor; 15 inch; From computer to interface cca; J1 plug; DIP socket
20	F140218P	Ribbon Cable	16 conductor; 12 inch; From interface cca to computer; J8 plug
21	F140606	Cable Tie	15 inch
22	F140605	Cable Tie	6 inch
23	F140602	Tie Wrap Mounting Clamp	
24	F191101	Battery	9 Volt; Backup
25	F431125	Washer	
26	F037062441P	WE-6 Computer	
27	F8136401	Screw	
28	F431108	Washer	
29	F431123	Washer	
30	F340412	Momentary Switch	Models through 5/26/04
	F200120100	Momentary Switch	Models starting 5/27/04
31	N/A	Emergency Stop Pushbutton	800E-series; Order F200233700P Emergency Stop Button Kit
	F200233700P	Emergency Stop Button Kit	Used to convert from 800E-series to 800F-series; Includes F200233401 Contact Mounting Base and F200233500 Pushbutton
	F200233500	Emergency Stop Pushbutton	800F-series
32	F230724P	Keypad Decal	
33	F231562	Control Module Decal	

N/A = Part no longer available

Control Module - Model UW125PV (Drawing 2 of 3)

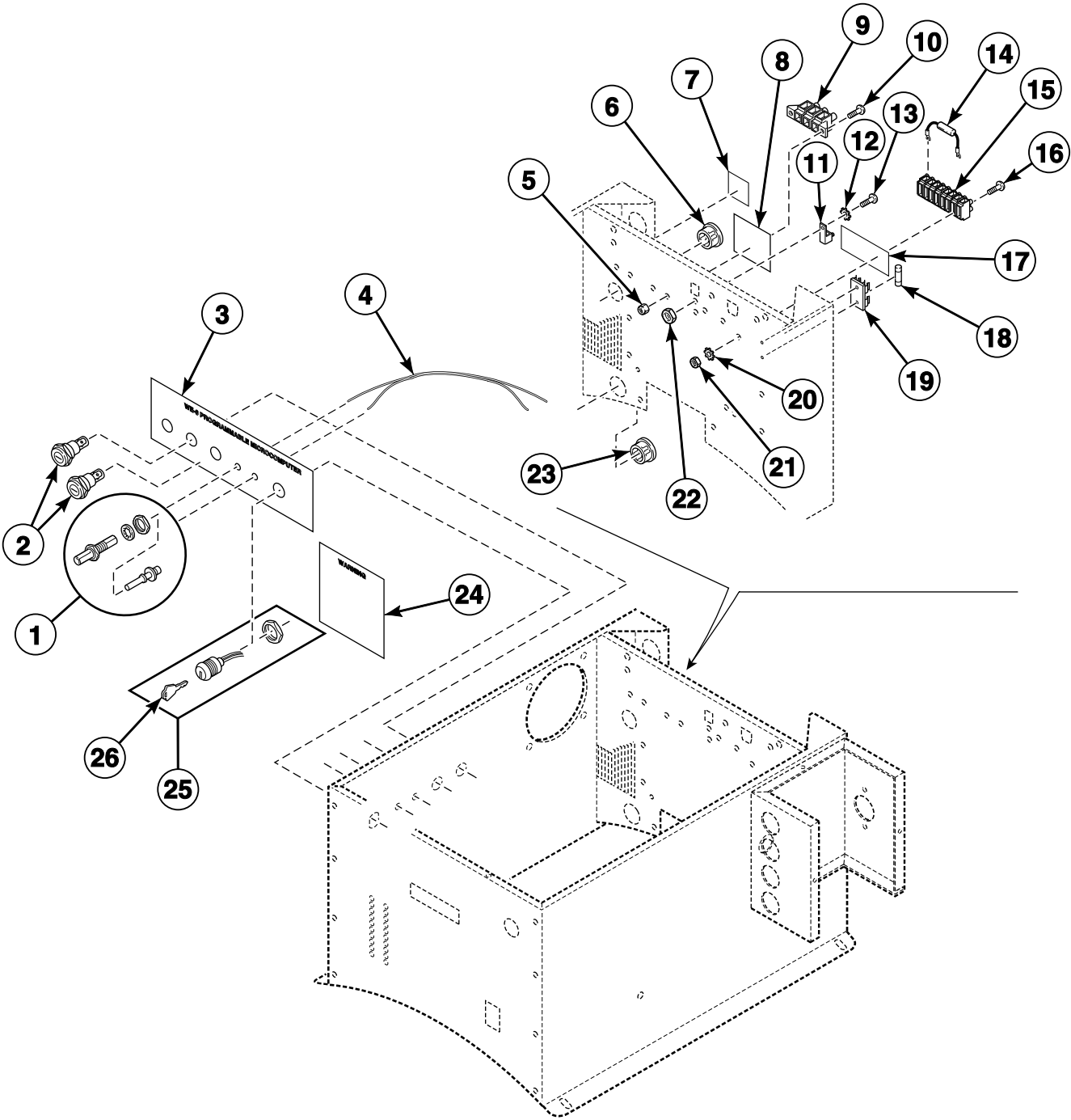


PHM2234P_F232184

Control Module - Model UW125PV (Drawing 2 of 3)

REF	PART NO.	DESCRIPTION	COMMENTS
1	F0370446-21P	WE-6 Interface CCA Kit	2 relay style
2	F140218P	Ribbon Cable	16 conductor; 12 inch; From interface cca to computer; J8 plug
3	F140248P	Ribbon Cable	16 conductor; 15 inch; From interface cca to computer; J1 plug; DIP socket
4	F8321901P	Output CCA	
5	F140219P	Ribbon Cable	26 conductor; 15 inch; From computer to output cca
6	F784003P	Jumper Kit	
7	F350108	Fuse	1/8 Amp; Slo blo
	F350109	Fuse	1/2 Amp; Fast blo
	F350110	Fuse	1 Amp; Slo blo
8	F0430165-00	Screw	
9	F330230	Flange Relay	220 Volt
10	F8303001P	Circuit Breaker	2 Amp
11	F300206	Buzzer	220 Volt
12	F430231	Nut	
13	F220900	Filter Retainer Guard	Includes item 15
14	F430910	Screw	
15	F200318900P	Filter	
16	F180506	Standoff	

Control Module - Model UW125PV (Drawing 3 of 3)

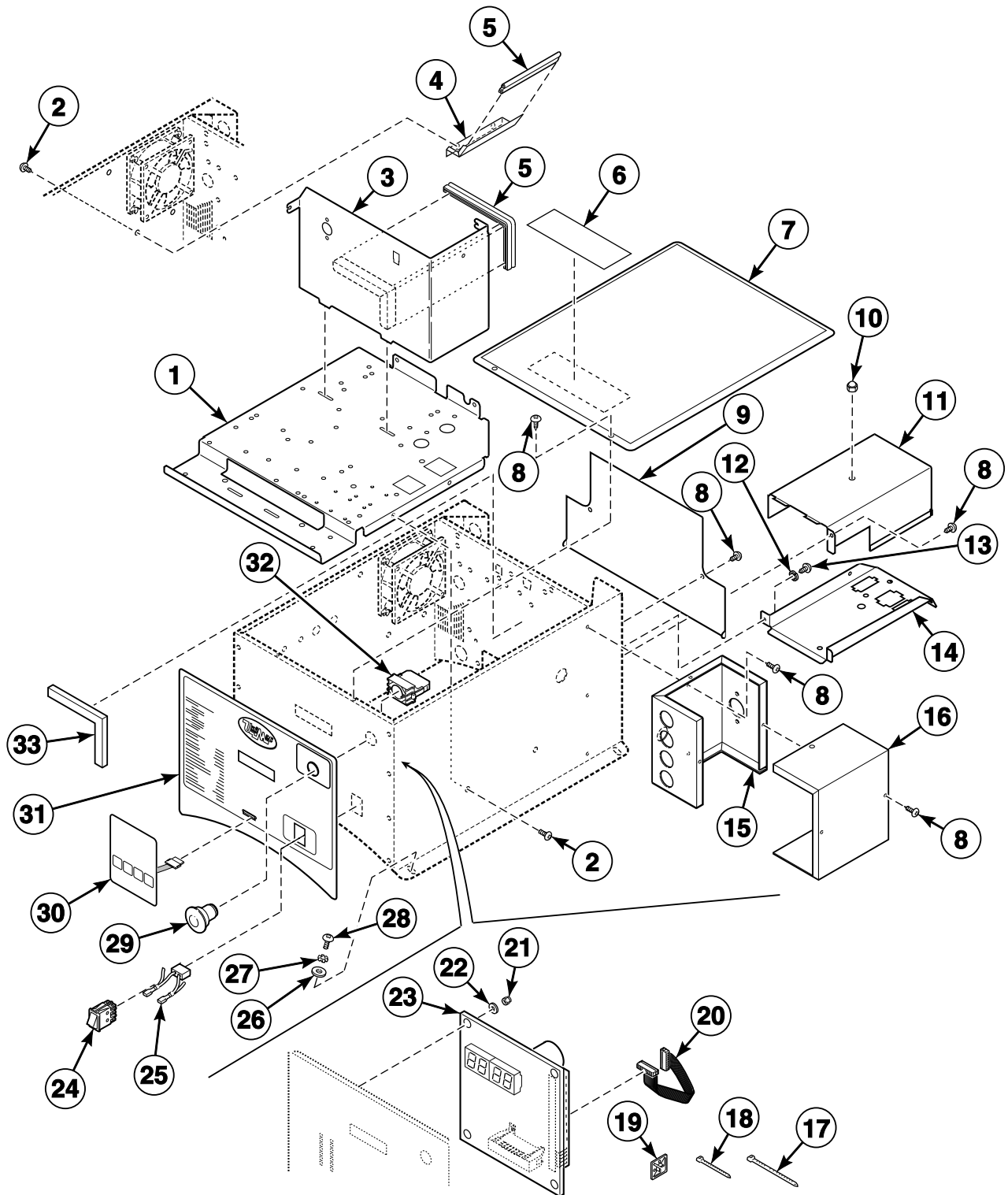


PHM2568P_F232184

Control Module - Model UW125PV (Drawing 3 of 3)

REF	PART NO.	DESCRIPTION	COMMENTS
1	F140575P	Connector	Gray
	F140576P	Connector	Blue
2	F350210	Circuit Breaker	2 Amp; 2 required; Models through 5/12/03
	F0350313-00P	Fuse Holder	Models starting 5/12/03
	F350142	Fuse	Models starting 5/12/03
3	F231564	Switch Mode Decal	Models through 5/12/03
	F0231632-00	Switch Mode Decal	Models starting 5/12/03
4	F604713	Cable Assembly	
5	F431022	Nut	
6	F140909	Insulator Bushing	
7	F231345-4	External Supply Caution Decal	Q-voltage
	F231345-5	External Supply Caution Decal	N and P-voltage
8	F0231636-00	Input Block Decal	Input power connection
9	F140794-1	Input Power Block	
10	F430938	Screw	
11	F140734	Ground Terminal Lug	
12	F431106	Washer	
13	F430903	Screw	
14	F370116	Resistor	12 K, 5w
15	F140782	Terminal Block	11 place
16	F430995	Screw	
17	F230764-10	External Supply Connection Decal	Q-voltage
	F230764-9	External Supply Connection Decal	N and P-voltage
18	F350115	Fuse	3 Amp; Fast blo
19	F0350312-10	Fuse Holder	
20	F431108	Washer	
21	F431006	Nut	
22	F431000	Nut	
23	F180486	Cap Plug	
24	F231065	Personal Injury Warning Decal	
25	C003024P	Keymode Switch Assembly	Includes item 26; Q-voltage models; N and P-voltage models through 10/7/04 and starting 1/15/05
	F200174600P	Keymode Assembly	Includes item 26; N and P-voltage models 10/7/04 through 1/14/05
26	F370709	Program Key	Key code A153

Control Module - Model UW125VV



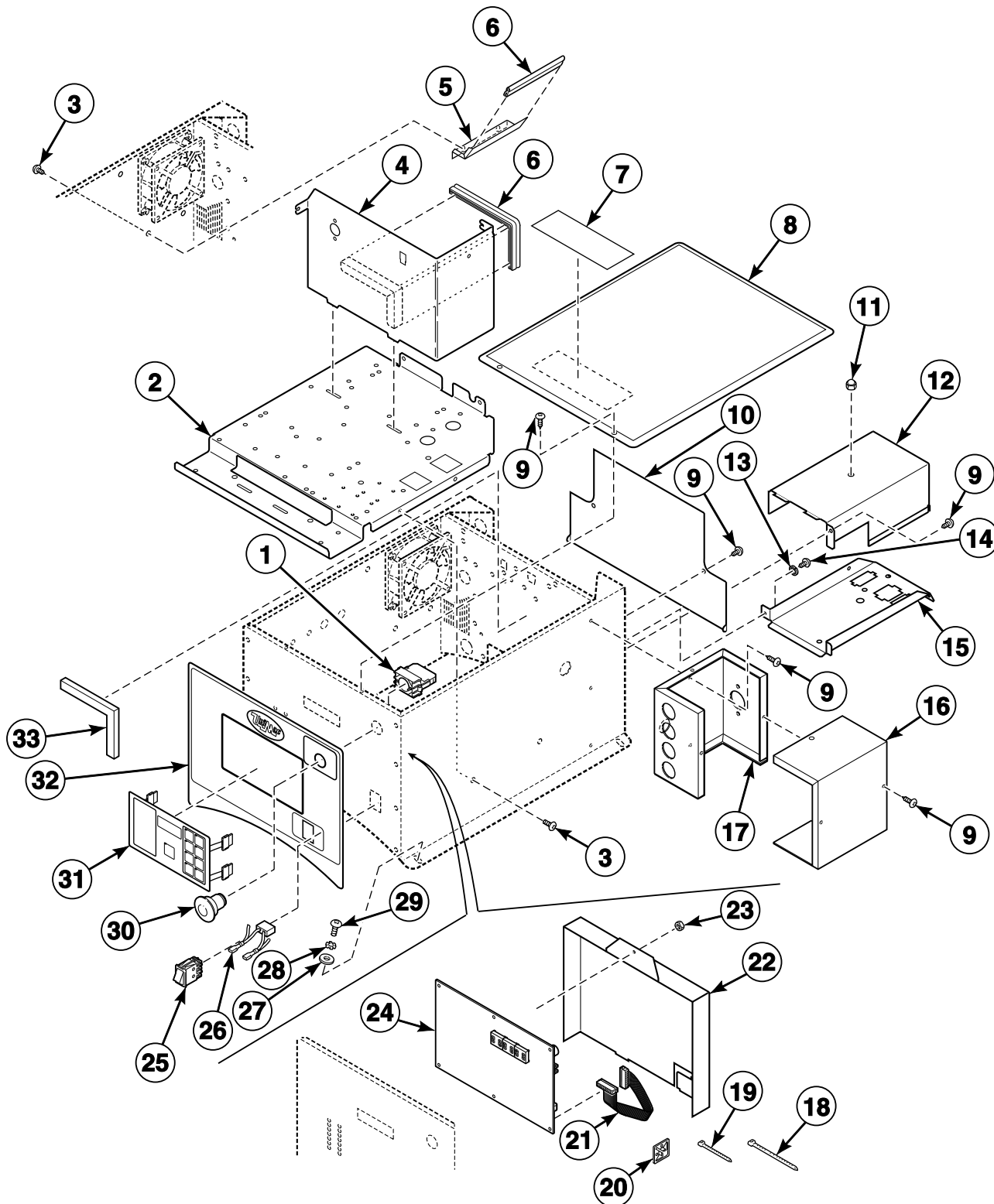
PHM2441P_F232184

Control Module - Model UW125VV

REF	PART NO.	DESCRIPTION	COMMENTS
1	N/A	Control Mounting Panel Assembly	
2	F430928	Screw	
3	F635366	AC Drive Partition	
4	F0637748-00	Air Flow Ramp Assembly	
5	F170404	Trim	Order 1 foot
6	D500316	Warning Label	
7	F634558	Control Module Cover	
8	F430174	Screw	
9	F0637549-00	Electrical Access Panel	
10	F8549401	Nut	
11	F635378	Cable Tray Cover	
12	F431113	Washer	
13	F430917	Screw	
14	F0635615-04	Cable Tray Assembly	
15	F635468	External Supply Box	
16	F635365	External Supply Box Cover	
17	F140606	Cable Tie	15 inch
18	F140605	Cable Tie	6 inch
19	F140602	Tie Wrap Mounting Clamp	
20	F140219P	Ribbon Cable	26 conductor; 15 inch; Connects the microcomputer to the output board cca
21	F430231	Nut	
22	F431125	Washer	
23	F0370313-09P	Microcomputer	
24	F340412	Momentary Switch	Models through 5/26/04
	F200120100	Momentary Switch	Models starting 5/27/04
25	F330217P	RC Network Filter	Includes F140627 Connector and F141022 Connector
26	F431123	Washer	
27	F431108	Washer	
28	F8136401	Screw	
29	N/A	Emergency Stop Pushbutton	800E-series; Order F200233700P Emergency Stop Button Kit
	F200233700P	Emergency Stop Button Kit	Used to convert from 800E-series to 800F-series; Includes F200233401 Contact Mounting Base and F200233500 Pushbutton
	F200233500	Emergency Stop Pushbutton	800F-series
30	F370576P	Keypad	
31	F231417	Control Module Decal	
32	F340445	Contact Block Switch	800E-series; Includes mounting base
	F200299500	Contact Block Switch	800E-series; Does not include mounting base
	F200233401P	Contact Block Switch	800F-series
33	F170151	Seal	Order 1 foot

N/A = Part no longer available

Control Module - Model UW125AV



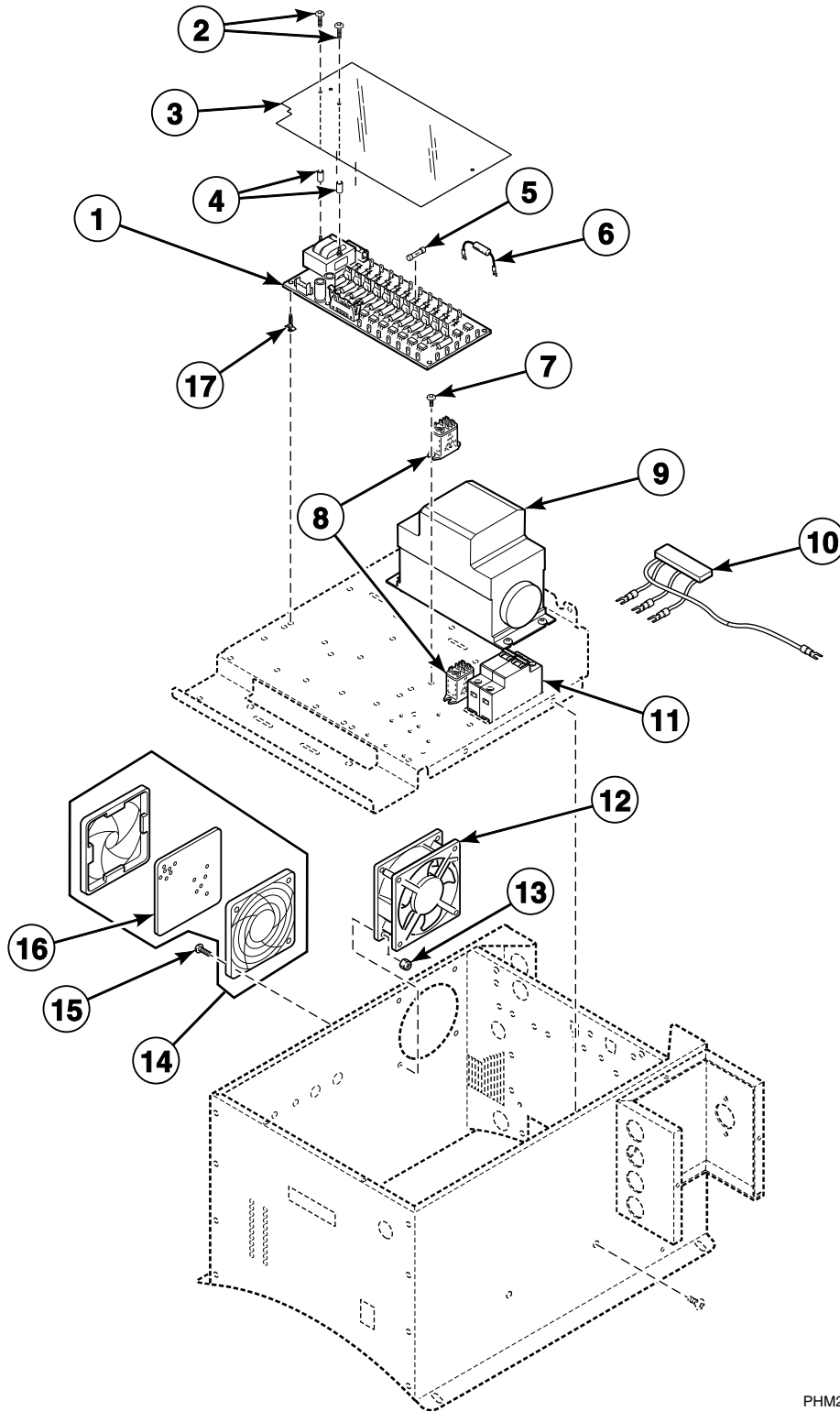
PHM2519P_F232184

Control Module - Model UW125AV

REF	PART NO.	DESCRIPTION	COMMENTS
1	F340445	Contact Block Switch	800E-series; Includes mounting base
	F200299500	Contact Block Switch	800E-series; Does not include mounting base
	F200233401P	Contact Block Switch	800F-series
2	N/A	Control Mounting Panel Assembly	
3	F430928	Screw	
4	F635366	AC Drive Partition	
5	F0637748-00	Air Flow Ramp Assembly	
6	F170404	Trim	Order 1 foot
7	D500316	Warning Label	
8	F200134600	Control Module Cover	
9	F430174	Screw	
10	F0637549-00	Electrical Access Panel	
11	F8549401	Nut	
12	F635378	Cable Tray Cover	
13	F431113	Washer	
14	F430917	Screw	
15	F0635615-04	Cable Tray Assembly	
16	F635365	External Supply Box Cover	
17	F635468	External Supply Box	
18	F140606	Cable Tie	15 inch
19	F140605	Cable Tie	6 inch
20	F140602	Tie Wrap Mounting Clamp	
21	F140219P	Ribbon Cable	26 conductor; 15 inch; Connects the microcomputer to the output board cca
22	F0636887-00	Control Cover	
23	F430231	Nut	
24	F037047530P	Computer	
25	F200120100	Momentary Switch	
26	F330217P	RC Network Filter	Includes F140627 Connector and F141022 Connector
27	F431123	Washer	
28	F431108	Washer	
29	F8136401	Screw	
30	N/A	Emergency Stop Pushbutton	800E-series; Order F200233700P Emergency Stop Button Kit
	F200233700P	Emergency Stop Button Kit	Used to convert 800E-series to 800F-series; Includes F200233401 Contact Mounting Base and F200233500 Pushbutton
	F200233500	Emergency Stop Pushbutton	800F-series
31	F023158231P	Keypad	
32	F0231565-00	Control Module Decal	
33	F170151	Seal	Order 1 foot

N/A = Part no longer available

Control Module - Models UW125AV and UW125VV (Drawing 1 of 2)

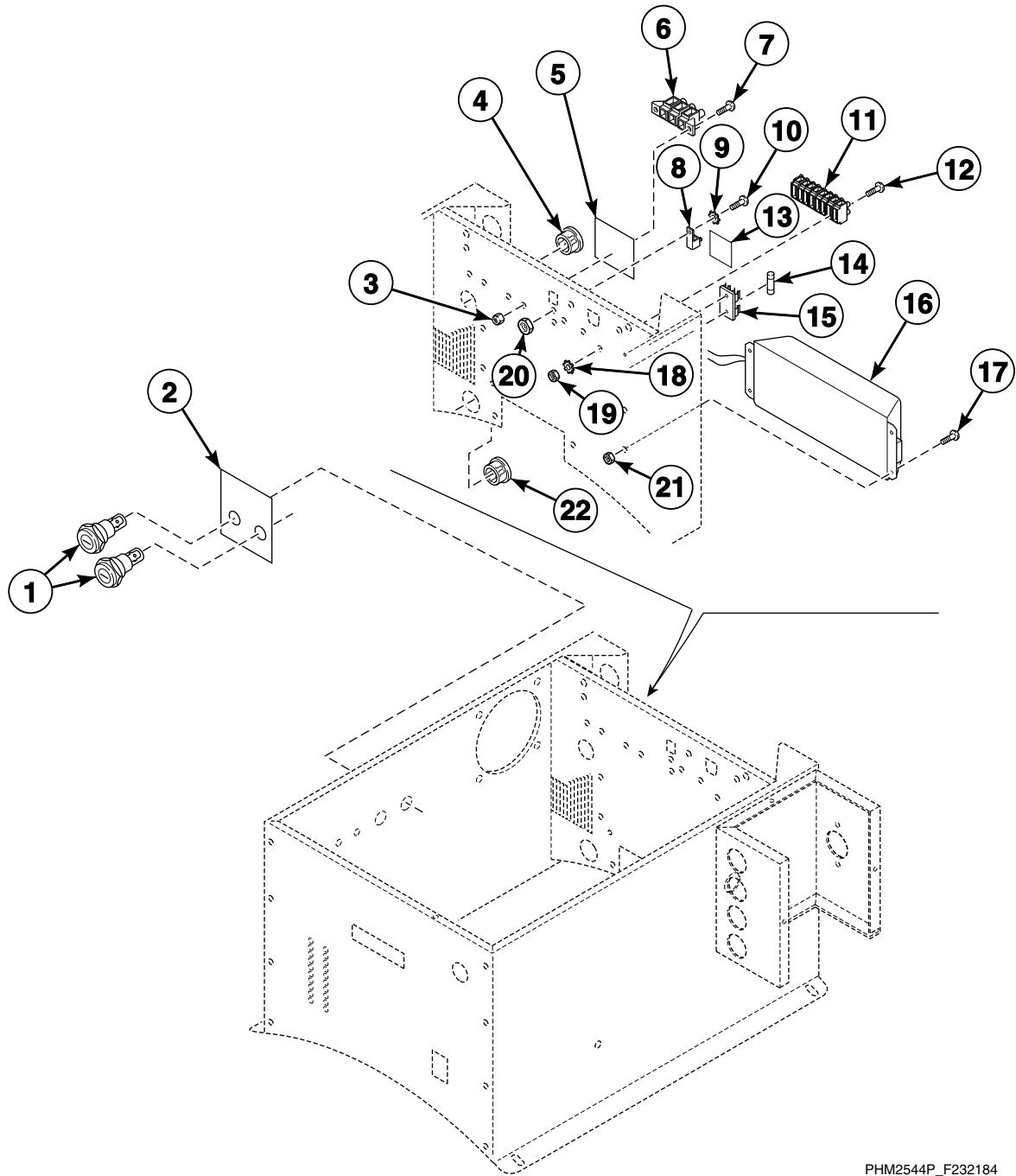


PHM2695P_F232184

Control Module - Models UW125AV and UW125VV (Drawing 1 of 2)

REF	PART NO.	DESCRIPTION	COMMENTS
	F200295900	Main Harness	Use with F037044860-1 Output CCA
	F0360160-00P	Line Reactor Kit	Use with F370853 Inverter Drive
	F0360168-00P	Line Reactor Kit	Use with F370854 Inverter Drive
1	F8206502P	Output Board VCMP Assembly	Model UW125VV
	F037044860-1	Output CCA	Model UW125AV
2	F431702	Screw	Model UW125AV
3	F0170427-00	Output Board Cover	Model UW125AV
4	F431806	Nut	Model UW125AV
5	F350108	Fuse	1/8 Amp; Slo blo
	F350109	Fuse	1/2 Amp; Fast blo
	F350110	Fuse	1 Amp; Slo blo
	F350142	Fuse	2 Amp; Slo blo
6	F370116	Resistor	
7	F0430165-00	Screw	
8	F330230	Flange Relay	220 Volt
9	F370853	Inverter Drive	Q-voltage
	F370854	Inverter Drive	N-voltage
10	F200320900	AC Drive Radio Filter Assembly	
11	F8303001P	Circuit Breaker	N-voltage
12	F110105	Muffin Fan	220 Volt; 4 inch
13	F430231	Nut	
14	F220900	Filter Retainer Guard	Includes item 16
15	F430910	Screw	
16	F200318900P	Filter	
17	F180506	Standoff	

Control Module - Models UW125AV and UW125VV (Drawing 2 of 2)

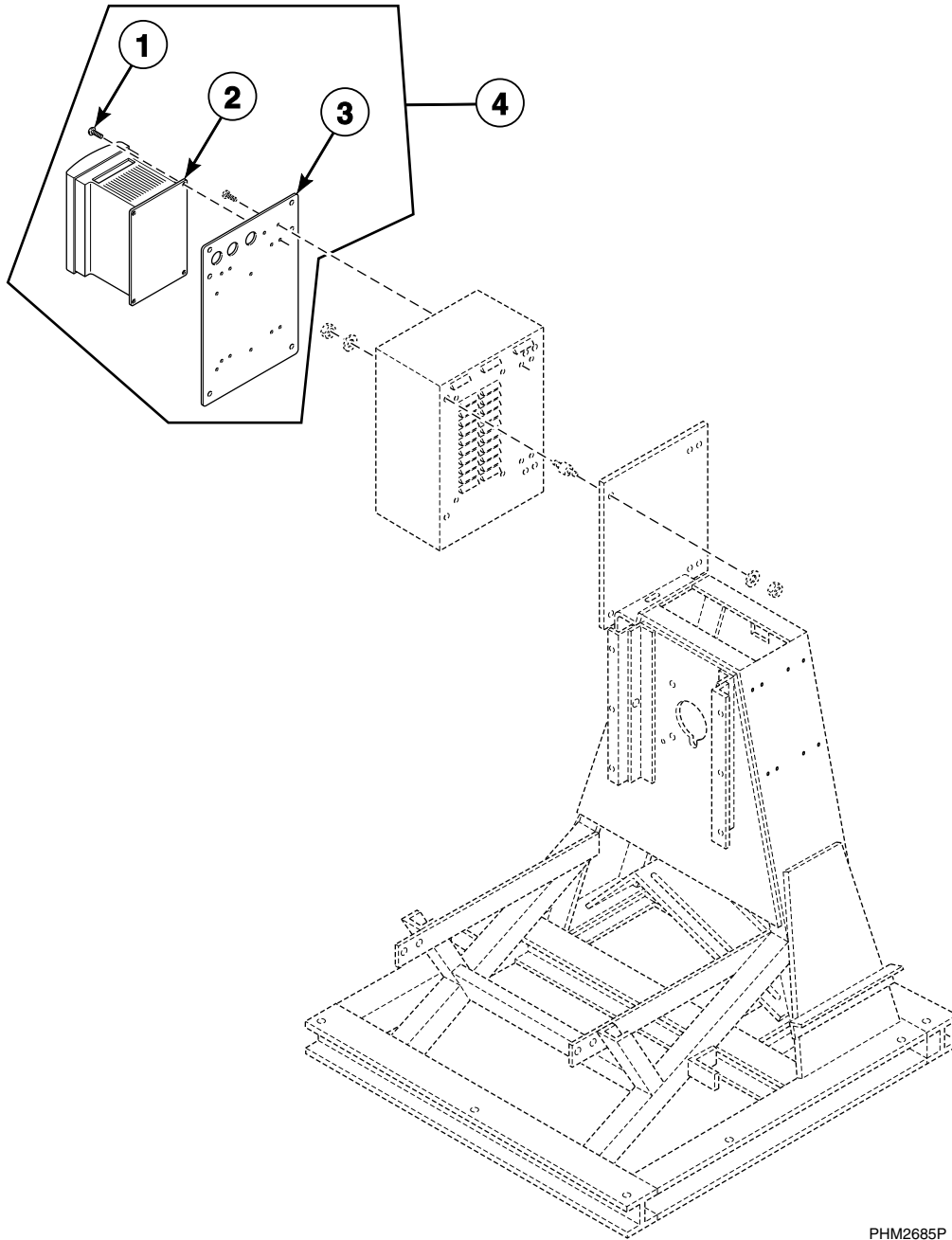


PHM2544P_F232184

Control Module - Models UW125AV and UW125VV (Drawing 2 of 2)

REF	PART NO.	DESCRIPTION	COMMENTS
1	F0350313-00P	Fuse Holder	Model UW125VV
	F350142	Fuse	Model UW125VV; 2 Amp; Slo-blo
2	F0231629-00	Fuse Decal	
3	F431022	Nut	
4	F140909	Insulator Bushing	
5	F0231636-00	Input Block Decal	
6	F140794-1	Input Power Block	
7	F430938	Screw	
8	F140734	Ground Terminal Lug	
9	F431106	Washer	
10	F430903	Screw	
11	F140776	Terminal Block	8 place
12	F430995	Screw	
13	F230630	Ground Decal	
14	F350115	Fuse	3 Amp; Fast blo
15	F0350312-10	Fuse Holder	
16	F8080001P	AC Drive Resistor Assembly	75 Ohm resistor for 200 Volt models
	F8079901P	AC Drive Resistor Assembly	190 Ohm resistor for 400 Volt models
17	F430909	Screw	
18	F431108	Washer	
19	F431006	Nut	
20	F431000	Nut	
21	F431016	Nut	
22	F180486	Cap Plug	

PowerFlex 40 AC Drive - Model UW125PV

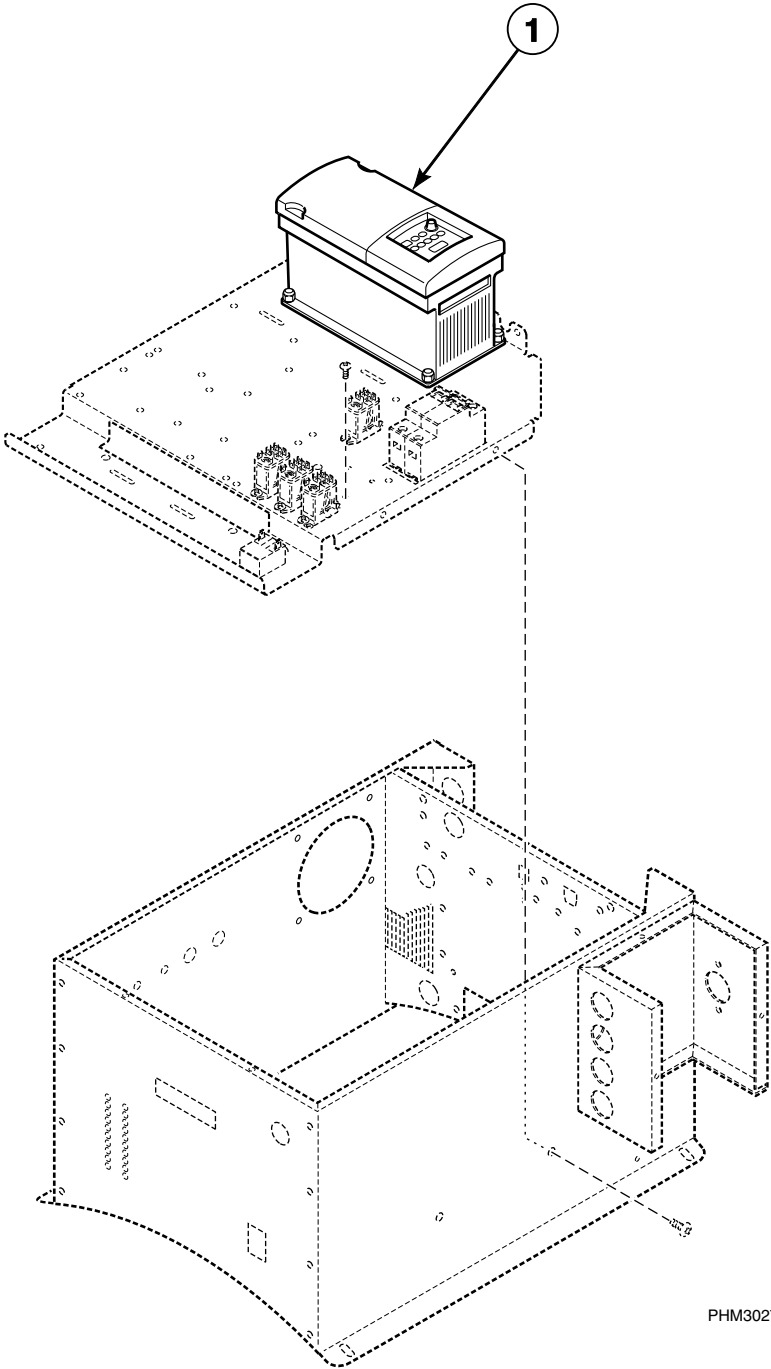


PHM2685P_F232184

PowerFlex 40 AC Drive - Model UW125PV

REF	PART NO.	DESCRIPTION	COMMENTS
1	F430920	Screw	
2	F8169635	Drive	Q-voltage; Used with F220437 AO Smith or Magnetek motor
	F8169636	Drive	N and P-voltage; Used with F220437 AO Smith or Magnetek motor
	F8169686	Drive	Q-voltage; Used with F8334801 Marathon motor
	F8169687	Drive	N and P-voltage; Used with F8334801 Marathon motor
3	F8018200	Drive Mounting Plate Assembly	
4	F8286104	1336 to PowerFlex 40 Drive Kit	Q-voltage; Includes items 1-3, F037062541 Software Chip, 45121 Wire (1 foot) and F140605 Cable Tie; Requires software ID code HRWC18 or later
	F8286203	1336 to PowerFlex 40 Drive Kit	N and P-voltage; Includes items 1-3, F037062541 Software Chip, 45121 Wire (1 foot) and F140605 Cable Tie; Requires software ID code HRWC18 or later
	F8286106	1336 to PowerFlex 40 Drive Kit	Q-voltage design 5 and later models with Allen-Bradley 1336-series drive and Marathon motor; Includes F8169686 AC Drive
	F8286205	1336 to PowerFlex 40 Drive Kit	P and N-voltage design 5 and later models with Allen-Bradley 1336-series drives and Marathon motor; Includes F8169687 AC Drive

PowerFlex 40 AC Drive Kits - Models UW125AV and UW125VV

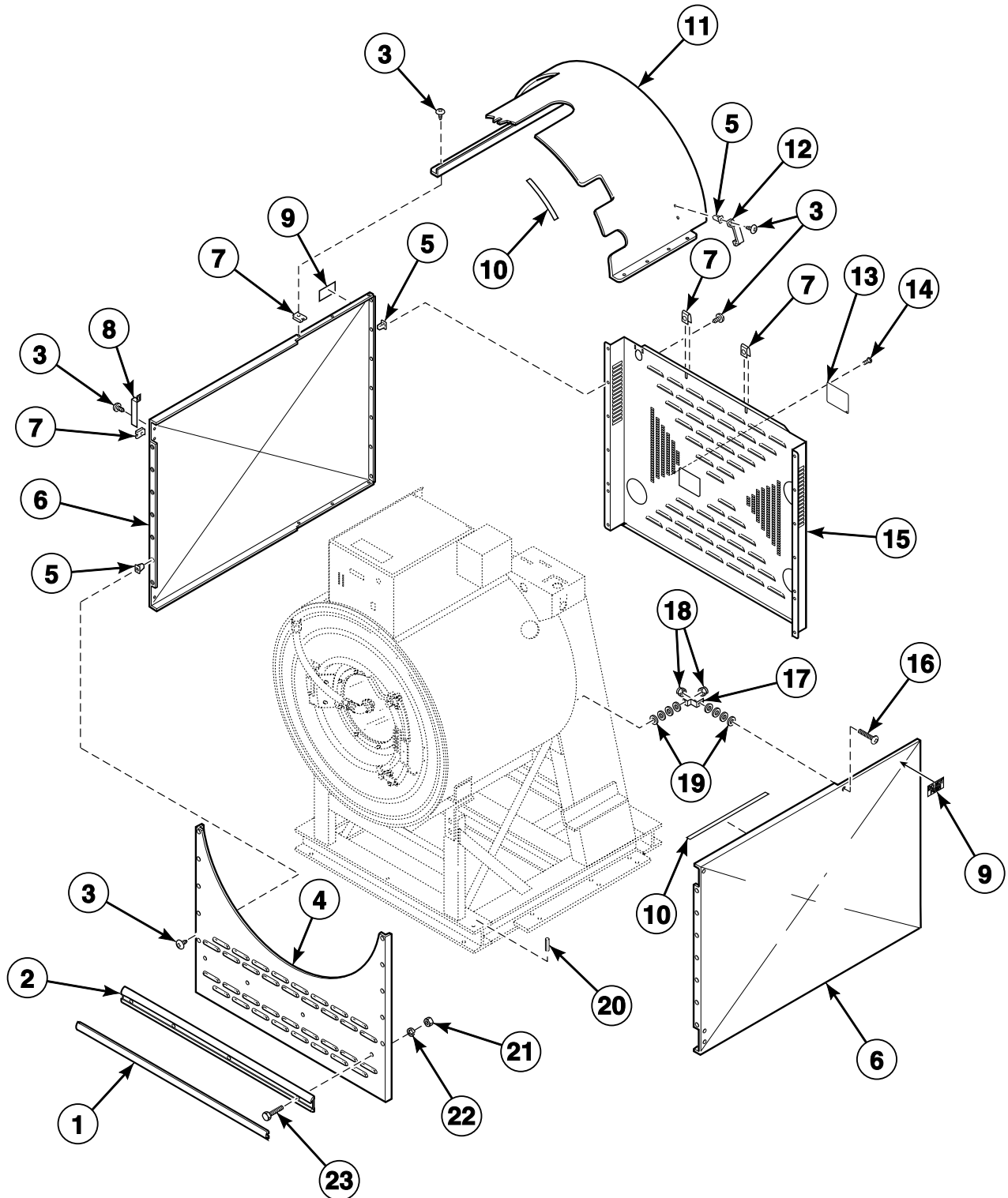


PHM3027P_F232184

PowerFlex 40 AC Drive Kits - Models UW125AV and UW125VV

REF	PART NO.	DESCRIPTION	COMMENTS
1	F8255406	160 to PowerFlex 40 Drive Kit	Q-voltage design 7 and 8 models with Allen-Bradley 160-series drive; Includes F8168603 AC Drive
	F8255506	160 to PowerFlex 40 Drive Kit	P and N-voltage design 7 and 8 models with Allen-Bradley 160-series drive; Includes F8168604 AC Drive
	F8169625	PowerFlex 40 AC Drive	Q-voltage design 7 and 8 models
	F8169626	PowerFlex 40 AC Drive	P and N-voltage design 7 and 8 models

Front, Rear and Side Panels



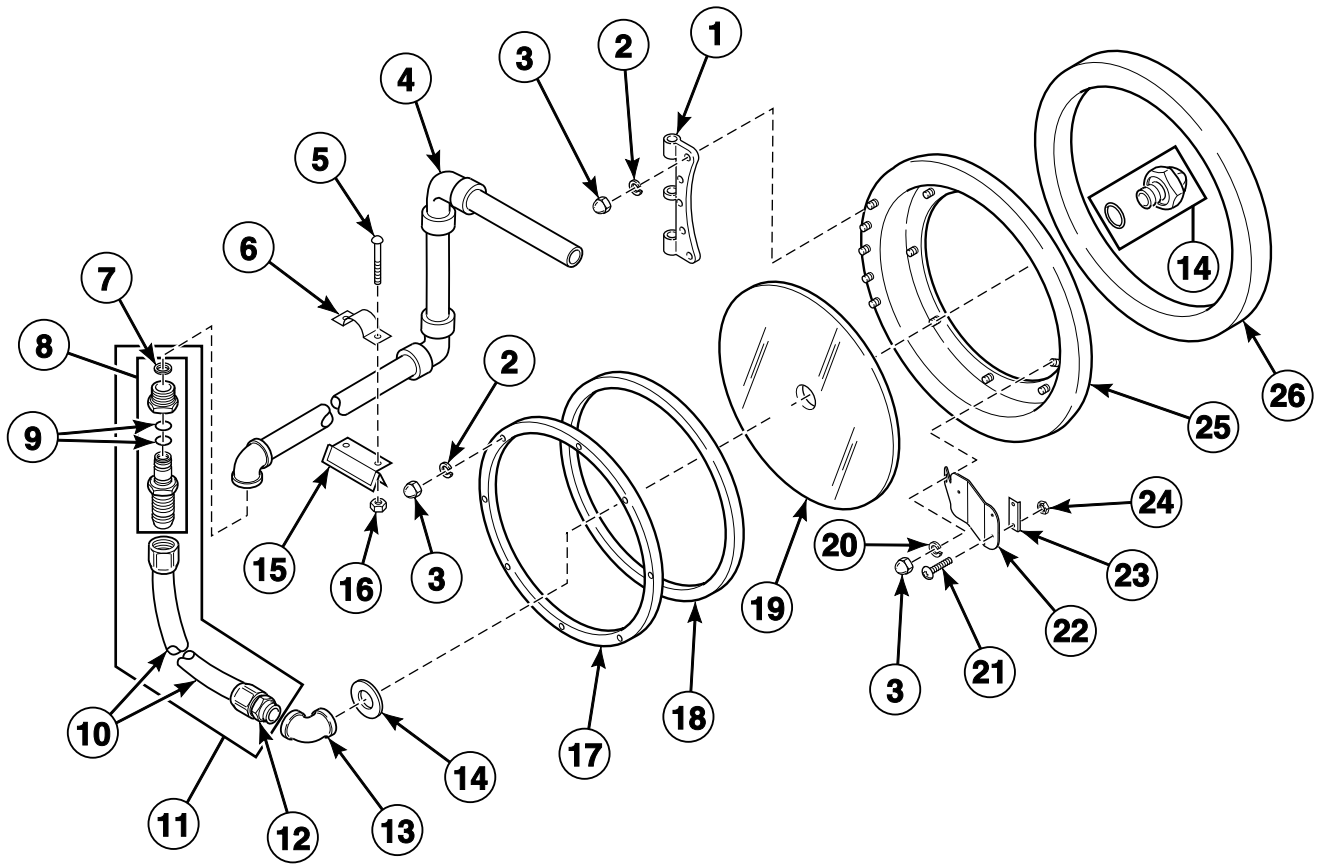
PHM2497P_F232184

Front, Rear and Side Panels

REF	PART NO.	DESCRIPTION	COMMENTS
1	F150397	Extrusion Insert	Order 4 feet
2	F150409	Rub Rail	
3	F430956	Screw	
4	F635718	Front Panel	
5	F0431807-00	Nut	Plastic insert
6	F635713	Side Panel	
7	F430264	Nut	Tinnerman
8	F607262	Side Panel Cover	
9	F230302	Do Not Push Decal	
10	F170400RP	Trim	
11	F635722	Cage Wrap Assembly	Model UW125PV through 1/11/01; Includes items 3, 5 and 12
	F0635825-00	Cage Wrap Assembly	Model UW125PV starting 1/12/01; Includes items 3, 5 and 12
	N/A	Cage Wrap Assembly	Models UW125AV and UW125VV; Includes items 3, 5 and 12
12	F605324	Hose Strap	
13	F200188300	Belt Inspection Port Cover	
14	70240301	Screw	
15	F200188100	Rear Panel	
16	F430921	Screw	
17	F601982	Side Panel Bracket	
18	F430215	Nut	
19	M400014	Washer	
20	F430415	Pin	
21	F430211	Nut	
22	F431100	Washer	
23	F430921	Screw	

N/A = Part no longer available

Door Assembly (Drawing 1 of 2)

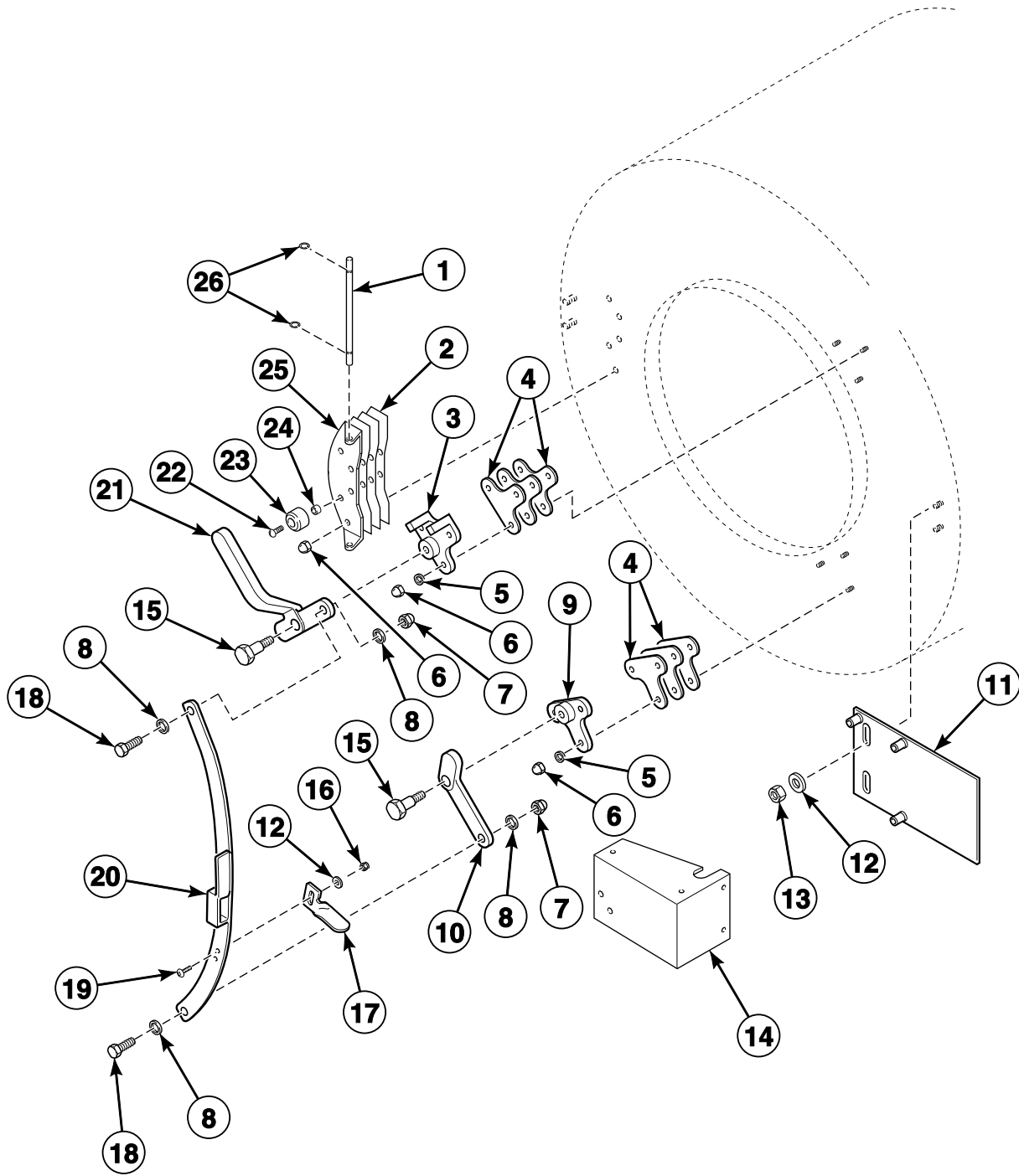


PHM2454P_F232184

Door Assembly (Drawing 1 of 2)

REF	PART NO.	DESCRIPTION	COMMENTS
1	F150233	Door Butt	
2	F431100	Washer	
3	F8549401	Nut	
4	F060369613	Spray Rinse Tube Assembly	Model UW125PV
5	F430917	Screw	Model UW125PV
6	F602880	Spray Rinse Strap	Model UW125PV
7	F310206	Ring Retainer	Model UW125PV
8	F422108	Swivel Coupling	Model UW125PV
9	F170200	O-Ring	Model UW125PV
10	F610068	Hose	Model UW125PV
11	F730023	Spray Rinse Hose Kit	Model UW125PV; Includes items 7-10 and 12
12	F422109	No-Swivel Coupling	Model UW125PV
13	F8453701	Elbow	Model UW125PV
14	F730077	Spray Rinse Nozzle Kit	Model UW125PV
15	F602901P	Spray Rinse Bracket Assembly	Includes items 5 and 16
16	F431022	Nut	
17	F8504901	Door Glass Retainer	
18	F170115	Door Glass Gasket	
19	F290204P	Door Glass Kit	Model UW125PV; With hole
	F290210P	Glass	Models UW125AV and UW125VV; Without hole
20	F431100	Washer	
21	F430916	Screw	
22	F634416	Door Handle	
23	F8390801	Magnet	
24	F430231	Nut	
25	F634678	Studded Door Assembly	
	F634711-1	Door Assembly	Models UW125AV and UW125VV; Includes F150228 Hinge and items 2, 3, 17-19 and 21-26
	F8145301	Door Assembly	Model UW125PV; Includes F150228 Hinge and items 2, 3, 17-19 and 21-26
26	F8434801	Door Gasket	

Door Assembly (Drawing 2 of 2)

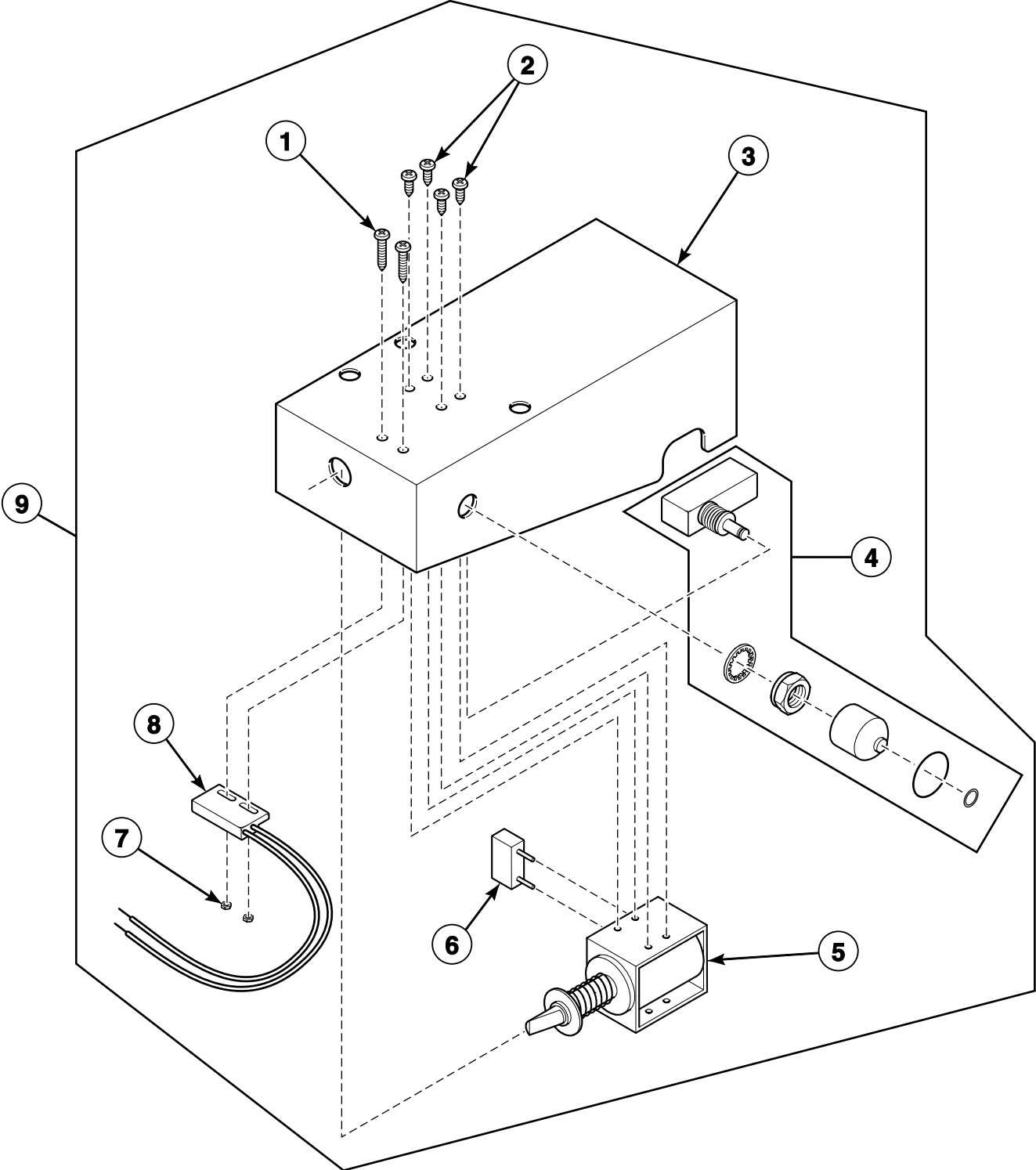


PHM2457P_F232184

Door Assembly (Drawing 2 of 2)

REF	PART NO.	DESCRIPTION	COMMENTS
1	F432307	Door Hinge Pin	
2	F601948	Door Butt Shim	
3	F150201P	Top Latch Bracket Casting	
4	F602058	Door Latch Bracket Shim	
5	F431100	Washer	
6	F8549401	Nut	
7	F431043	Nut	
8	F431118	Washer	
9	F150202	Lower Door Latch Bracket Casting	
10	F150204	Lower Door Latch Casting	
11	F634693	Door Box Plate Assembly	
12	F430312	Washer	
13	F430215	Nut	
14	F634822-1	Door Box Assembly	
15	F430168	Screw	
16	F430231	Nut	
17	F601639	Extension Arm Tab	
18	F430927	Screw	
19	F430916	Screw	
20	F8022301	Extension Arm Weldment	
21	F150203	Door Handle Casting	
22	F430103	Screw	
23	F150366	Door Bumper Moulding	
24	F430416	Door Bumper Bushing	
25	F150233	Door Butt	
26	F310215	Retaining Ring	

Door Box Assembly

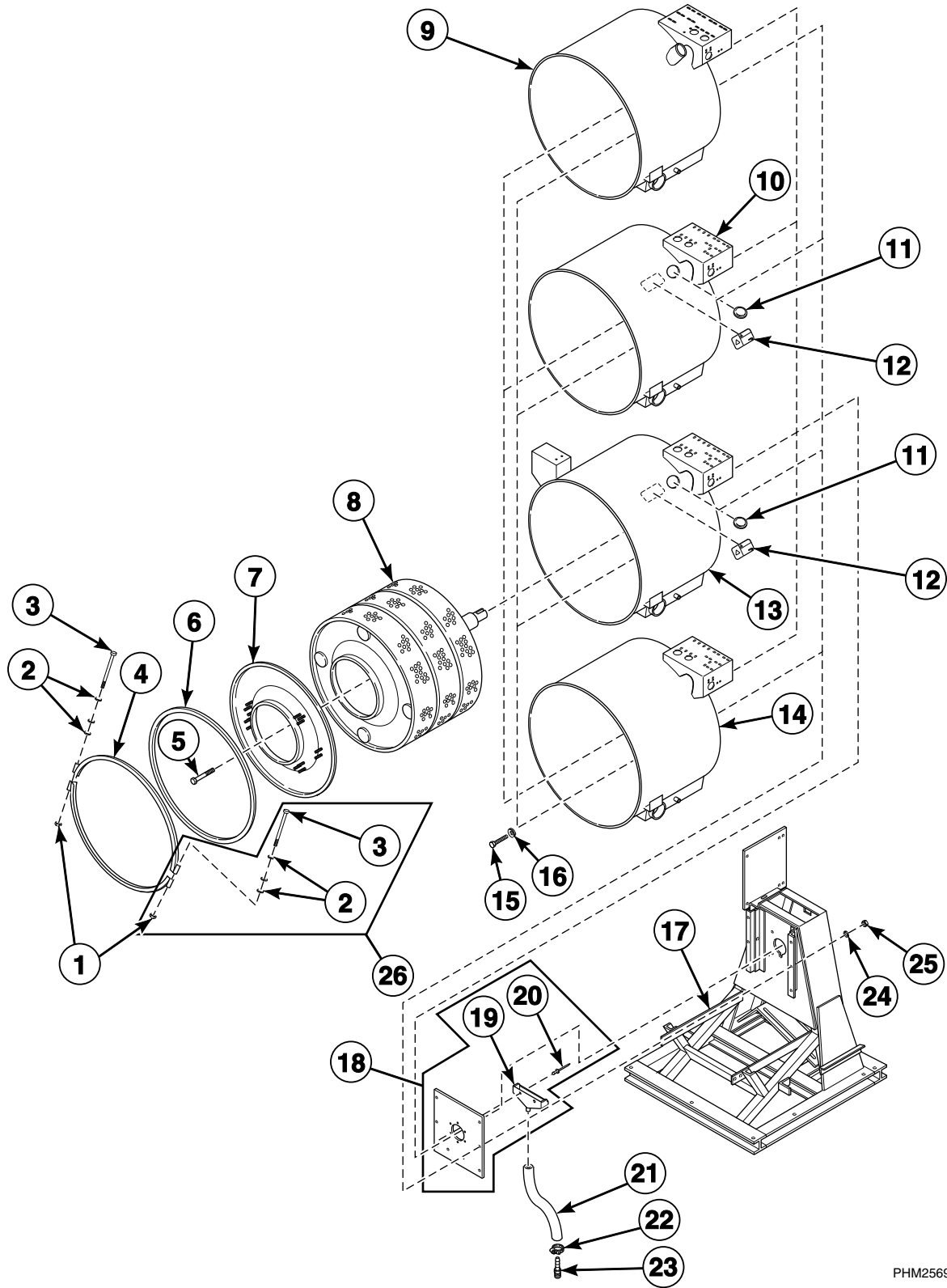


PHM2238P_F232184

Door Box Assembly

REF	PART NO.	DESCRIPTION	COMMENTS
1	F430928	Screw	
2	F430995	Screw	
3	F634415	Door Box	
4	F340906	Microswitch	Includes hardware
5	F300129P	Door Lock Solenoid	
6	F330217P	RC Network Filter	Includes F140627 Connector and F141022 Connector
7	F430231	Nut	
8	F8746601	Magnetic Switch Assembly	
9	F634822-1	Door Box Assembly	Includes items 1-8

Basket, Shell and Frame



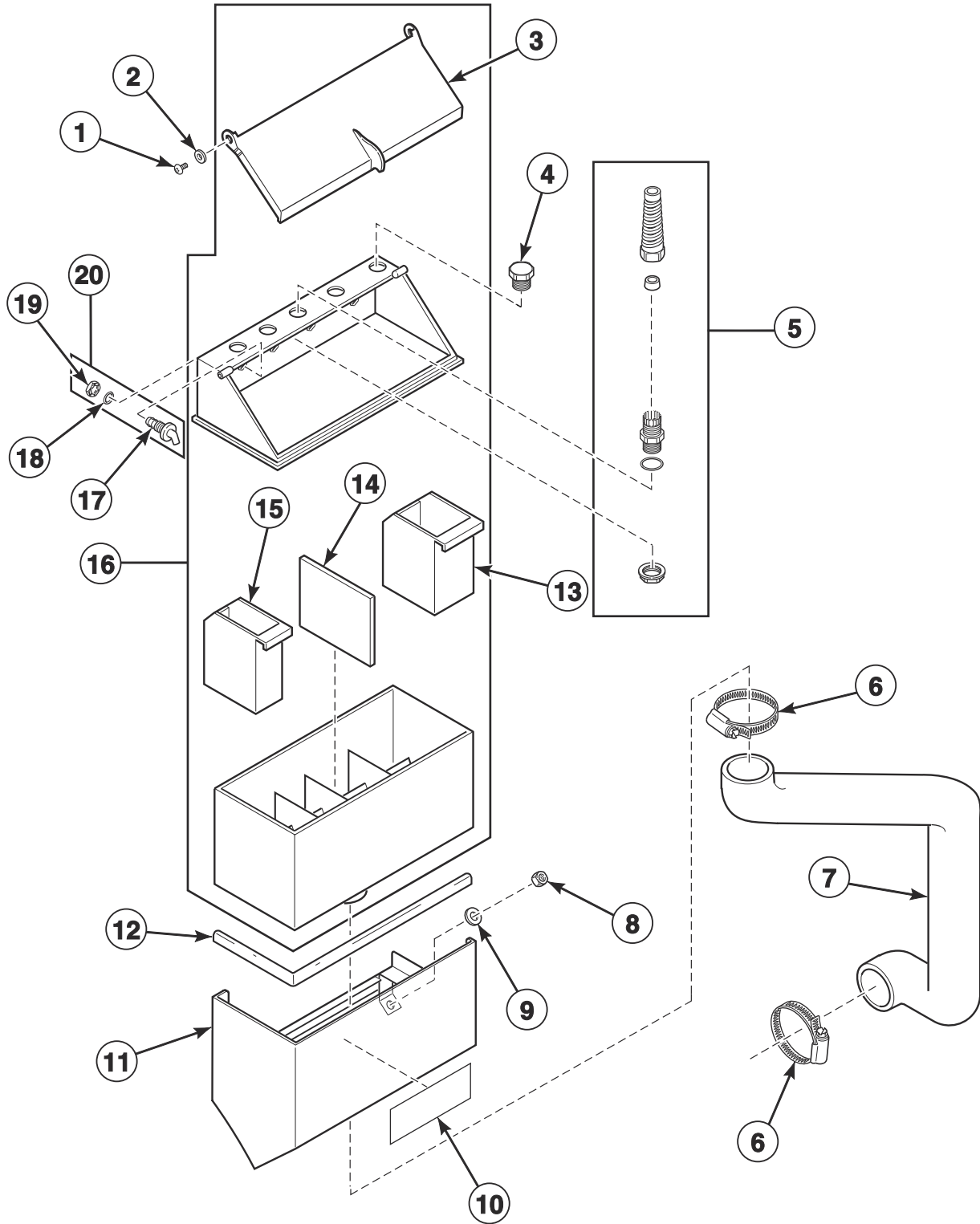
PHM2569P_F232184

Basket, Shell and Frame

REF	PART NO.	DESCRIPTION	COMMENTS
1	F430215	Nut	
2	M400014	Washer	
3	F430518	Screw	
4	F603630	Shell Band Assembly	2 required
5	N/A	Screw	
6	F170120RP	Shell Band Gasket	
7	F8136001P	Shell Front Weldment	
	F634691	Shell Front Assembly	Includes F0602058-00 Door Latch Bracket Shim, F150201 Top Latch Bracket Casting, F150202 Lower Door Latch Bracket Casting, F150203 Door Handle Casting, F150204 Lower Door Latch Casting, F150233 Door Butt, F310215 Retaining Ring, F430103 Screw, F430168 Screw, F430215 Nut, F430231 Nut, F430312 Washer, F430416 Door Bumper Bushing, F430916 Screw, F430927 Screw, F431026 Nut, F431043 Nut, F431100 Washer, F431118 Washer, F431125 Washer, F432307 Door Pin, F601639 Extension Arm Tab, F601948 Door Butt Shim, F634693 Door Box Plate Assembly, F8136001 Shell Front Weldment, F150366 Door Bumper Moulding and F8022301 Extension Arm Weldment
8	F603686	Basket Assembly	Standard
9	F634440	Shell Weldment	Model UW125PV; Design 5
	F634860	Shell Weldment	Model UW125PV; Design 5; Wet clean
	F0634860-01	Shell Weldment	Model UW125PV; Design 5; Wet clean with starch
	N/A	Shell Weldment	Model UW125PV; Design 5; Wet clean with starch and water recirculation
10	N/A	Shell Weldment	Model UW125PV; Design 7 and 8; Wet clean
	F0637542-04	Shell Weldment	Model UW125PV; Design 7 and 8; Wet clean; Recirculation
11	F0200237-00	Plug	
12	F0230112-00	Plug Removal Warning Decal	
13	F0637542-01	Shell Weldment	Model UW125PV; Design 7 and 8; Wet clean; Starch
14	F0637542-02	Shell Weldment	Model UW125PV design 7 and 8; Models UW125AV and UW125VV; Standard
15	F430924	Screw	
16	F431116	Washer	
17	F063402100	Frame Weldment	Model UW125PV
	N/A	Frame Weldment	Models UW125AV and UW125VV
18	F604051	Shell Plate Assembly	Includes items 19 and 20
19	F150389	Scupper	
20	F431217	Pop Rivet	
21	F200104P	Hose	
22	36801	Hose Clamp	No. 6
23	F421929	Hose Barb	
24	M400013	Washer	
25	70142	Nut	
26	F791001	Shell Band Fastener Kit	Includes items 1-3; 2 required per shell band assembly

N/A = Part no longer available

Supply Dispenser

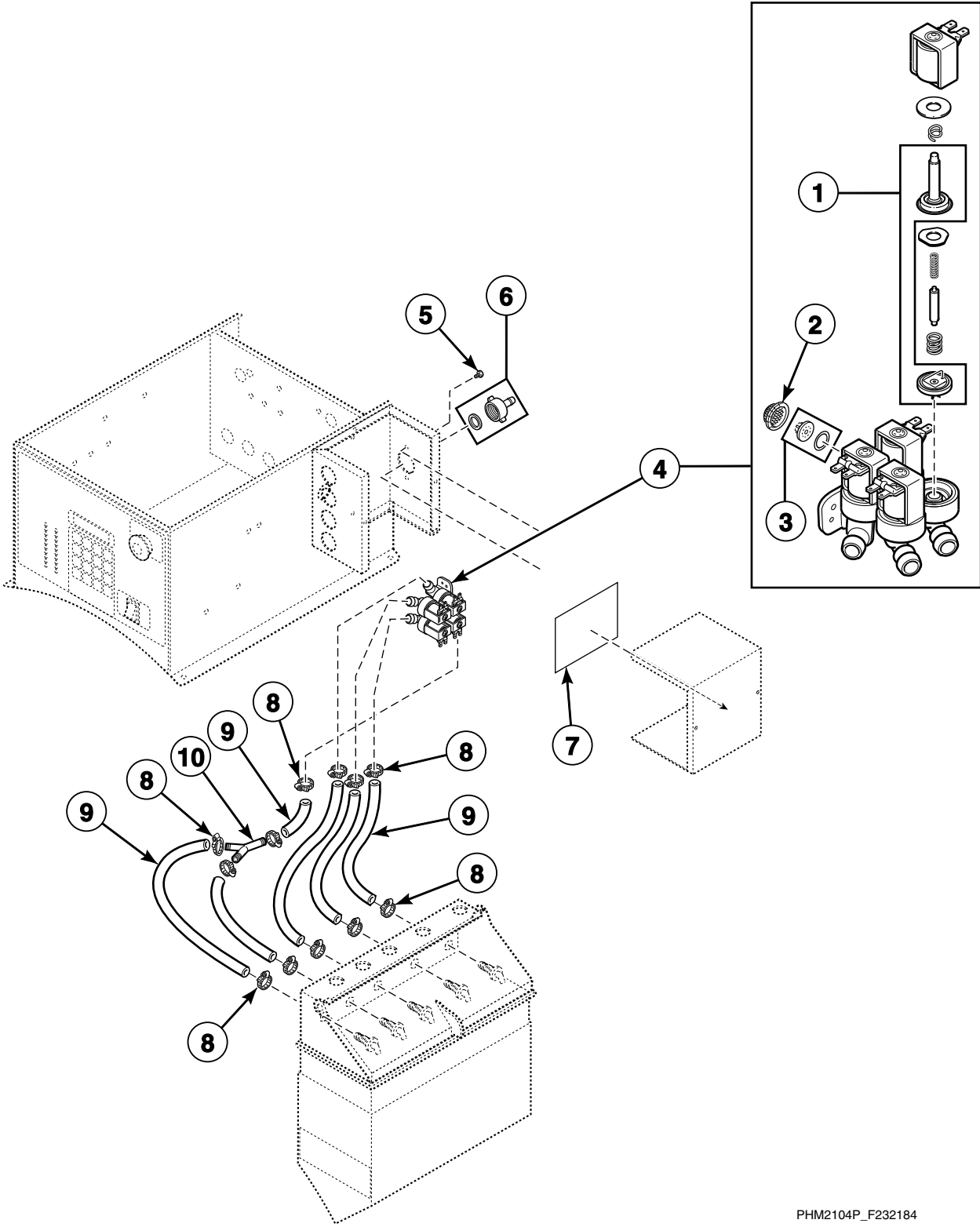


PHM3347P

Supply Dispenser

REF	PART NO.	DESCRIPTION	COMMENTS
1	F430917	Screw	
2	F8195301	Washer	
3	F0150514-00	Dispenser Lid	
4	F190304	Plug Cap	
5	F749802	Strain Relief Adapter Kit	Includes items 5 and 7
6	F200213	Hose Clamp	No. 40
7	F150487	Chemical Supply Hose	
8	F431042	Nut	
9	F431116	Washer	
10	F231436	Supply Dispenser Hazard Caution Decal	
11	F8024303	Dispenser Shroud Weldment	
12	F170400RP	Trim	
13	F150386	Chemical Supply Cup	32 ounce; 2 required
14	F0150525-00	Supply Dispenser Spacer	
15	F150385	Chemical Supply Cup	20 ounce; 3 required
16	F0150512-00P	Dispenser Assembly	Includes items 3 and 15-17
17	F8322001	Injection Nozzle	
18	801632	O-Ring	
19	802292	Nut	
20	F730168	Injection Nozzle Kit	Includes items 19-21

Water Supply Valve and Hoses to Supply Dispenser



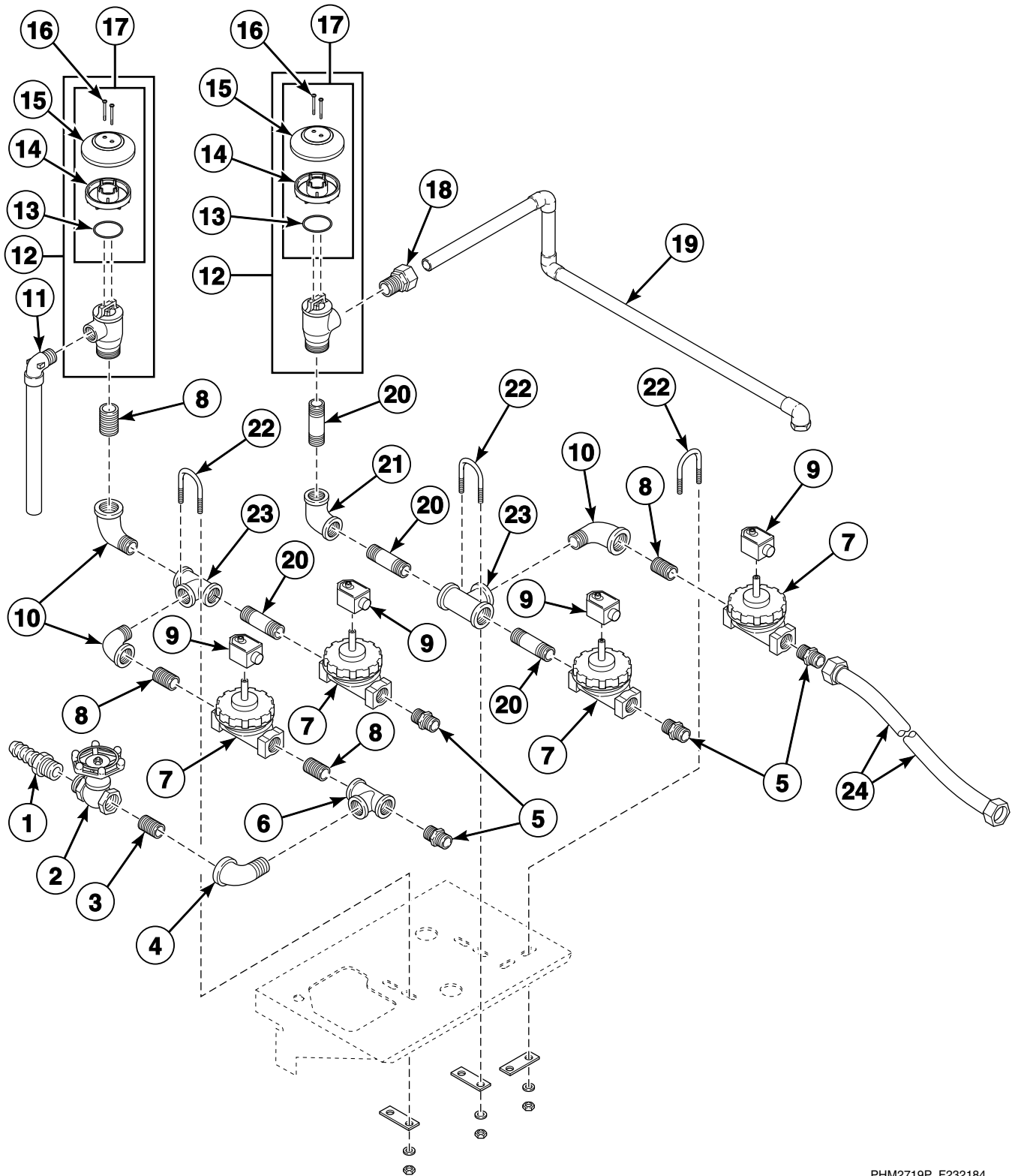
PHM2104P_F232184

Water Supply Valve and Hoses to Supply Dispenser

REF	PART NO.	DESCRIPTION	COMMENTS
1	G582P3	Diaphragm and Guide Kit	
2	F270200	Strainer	
3	N/A	Flow Restrictor	8 liter
4	F381723P	4-Way Valve	220 Volt
5	F430948	Screw	
6	F200302	Hose Connector	
7	F230754	Water Valve Assembly Decal	
8	36801	Hose Clamp	No. 6
9	F200110P	Water Hose	
10	F422816	Y Connector	

N/A = Part no longer available

Spray and Fill Plumbing with 3/4 Inch Parker Valves - Model UW125PV



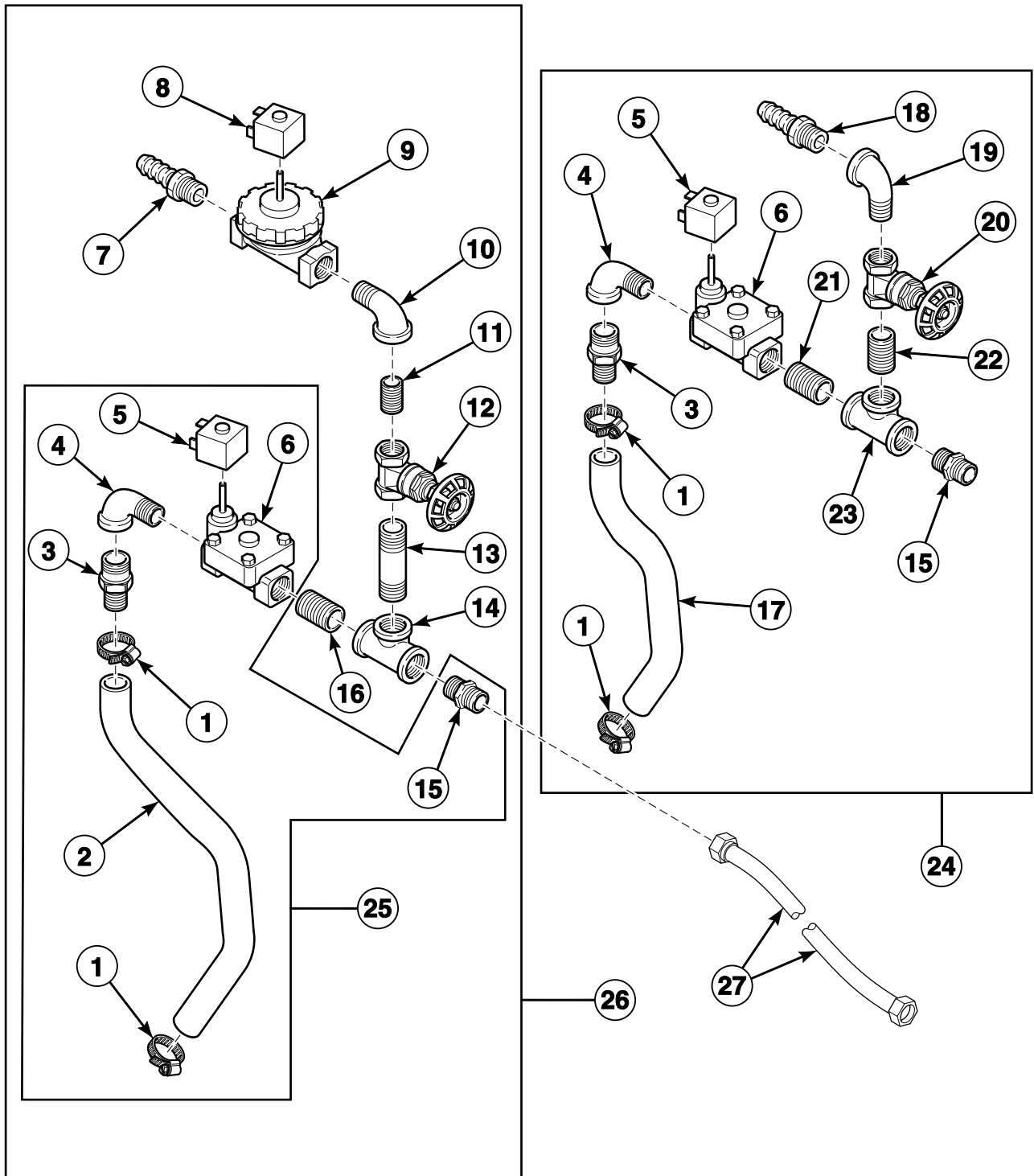
PHM2719P_F232184

Spray and Fill Plumbing with 3/4 Inch Parker Valves - Model UW125PV

REF	PART NO.	DESCRIPTION	COMMENTS
	F8382301	DIN Valve Adapter Kit	Use with F8322905 Valve
	F8379502	Valve Rebuild Kit	Use with F8322905 Valve
	F8735006	Valve Rebuild Kit	3/4 inch; Viton
1	F421930	Hose Barb	
2	F380500	Gate Valve	1/2 inch
3	F420101	Nipple	
4	F420500	Street Elbow	
5	F421909	Hose Adapter	
6	F420402	Tee	
7	F8521801	DIN Valve Kit	220 Volt; F380991P Water Valve Repair Kit; Parker
	F141901P	DIN Harness Assembly	
	F8322905P	Valve	220 Volt; Replaces F381701P Valve; Includes F8514601 Coil; For models that have been upgraded with F8521801 DIN Valve Kit
	F8521801	DIN Valve Kit	220 Volt; Replaces F381701P Valve; Includes F8322905 Valve, F8382301 DIN Valve Adapter Kit and F8514601 Coil
8	F420105	Nipple	
9	F380987P	DIN Coil	220 Volt
	F8514601P	Coil	220 Volt; Use with F8322905 Valve
10	F420502	Street Elbow	
11	F610260	Top Fill Assembly	
12	F380800P	Vacuum Breaker Valve	Includes item 17
13	F0170221-00	O-Ring	
14	N/A	Containment Device	
15	F0380808-00	Vacuum Breaker Cap	
16	F430938	Screw	
17	F380965P	Repair Kit	Includes items 13-16
18	F422106	Tube Connector	
19	F610363	Spray Rinse Tube Assembly	
20	F420107	Nipple	
21	F420503	Elbow	
22	N/A	U-Bolt Clamp	Includes hardware
23	F420403	Tee	
24	F200185	Water Hose	

N/A = Part no longer available

Fill Plumbing with 1 Inch Parker Valves



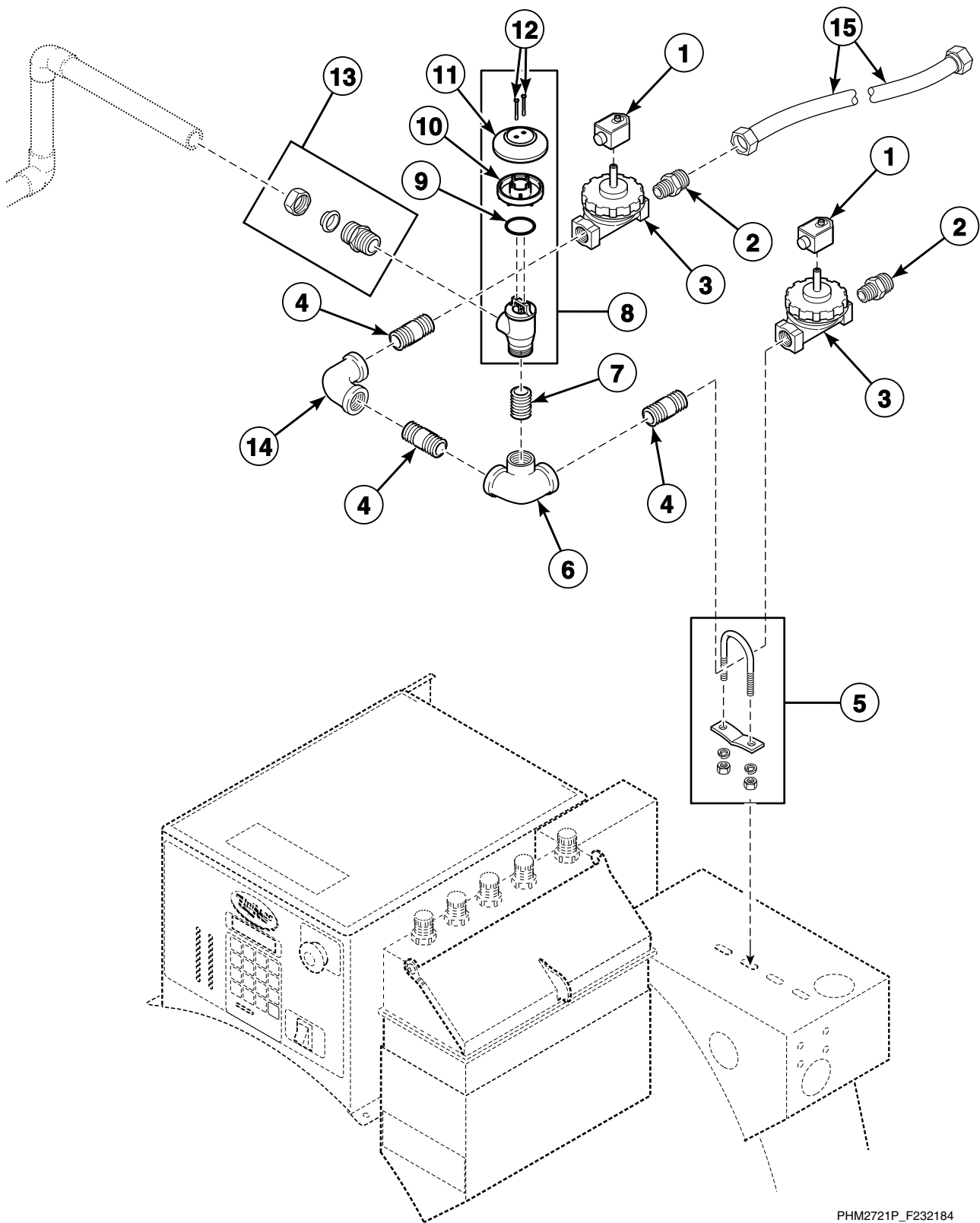
PHM2720P_F232184

Fill Plumbing with 1 Inch Parker Valves

REF	PART NO.	DESCRIPTION	COMMENTS
	F8382301	DIN Valve Adapter Kit	Use with F8322803 Valve
	F8379503P	Valve Transition Kit	Use with F8322803 Valve
1	F200204	Hose Clamp	No. 20
2	F200155P	Hose	
3	F421952	Hose Barb	
4	F422336	Street Elbow	
5	F380987P	DIN Coil	220 Volt
6	F381733P	Valve	220 Volt; 1 inch
	F0381007P	Water Valve Repair Kit	
	F141901P	DIN Harness Assembly	
7	F421964	Hose Barb	Starch models
8	F380987P	DIN Coil	220 Volt; Starch models
	F8514601P	Coil	220 Volt; Use with F8322803 Valve
9	F8322803P	Valve	220 Volt; Replaces F381703P Valve; Includes F8514601 Coil
10	F422304	Street Elbow	Starch models
11	F421921	Nipple	Starch models
12	F380500	Gate Valve	Starch models
13	F421947	Nipple	Starch models
14	N/A	Tee	Starch models
15	F421968	Hose Adapter	Standard thread
	N/A	Inlet Nipple	Metric thread
16	F421965	Nipple	Starch models
17	F200155P	Hose	
18	F421964	Hose Barb	
19	F422304	Street Elbow	
20	F380500	Gate Valve	
21	F421965	Nipple	
22	F421921	Nipple	
23	N/A	Tee	
24	F0635821-00	Fill Plumbing Assembly	Hot; 220 Volt; Standard thread; Includes items 1, 3-6, 15, and 17-23
	F0635821-01	Fill Plumbing Assembly	Hot; 220 Volt; Metric thread; Includes items 1, 3-6, 15, and 17-23
25	N/A	Fill Plumbing Assembly	Cold; 220 Volt; Standard thread; Includes items 1-6 and 15
	F0635820-02	Fill Plumbing Assembly	Cold; 220 Volt; Metric thread; Includes items 1-6 and 15
26	F0635820-01	Fill Plumbing Assembly	Cold; 220 Volt; Standard thread; With starch; Includes items 1-16
	N/A	Fill Plumbing Assembly	Cold; 220 Volt; Metric thread; With starch; Includes items 1-16
27	F200185	Water Hose	Standard thread
	F200193	Water Hose	Metric thread

N/A = Part no longer available

Spray Plumbing with 3/4 Inch Parker Valves - Model UW125PV



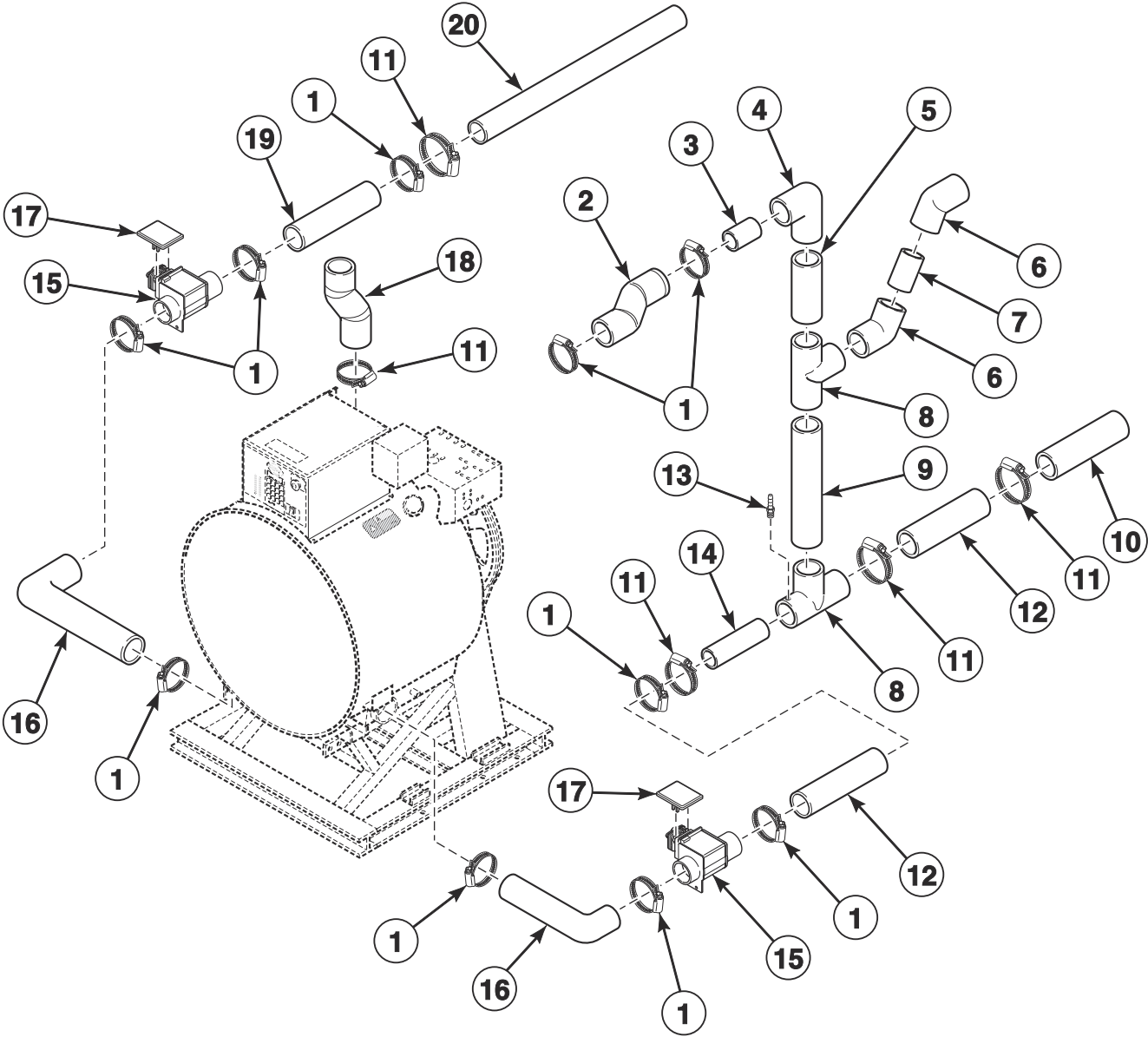
PHM2721P_F232184

Spray Plumbing with 3/4 Inch Parker Valves - Model UW125PV

REF	PART NO.	DESCRIPTION	COMMENTS
	F8382301	DIN Valve Adapter Kit	Use with F8322905 Valve
	F8379502	Valve Rebuild Kit	Use with F8322905 Valve
	F8735006	Valve Rebuild Kit	3/4 inch; Viton
1	F380987P	DIN Coil	220 Volt
	F8514601P	Coil	220 Volt; Use with F8322905 Valve
2	F421909	Hose Adapter	Standard thread
	F8265701	Adapter	Metric thread
3	F141901P	DIN Harness Assembly	3/4 inch; Includes coil
	F8322905P	Valve	220 Volt; Replaces F381701P Valve; Includes F8514601 Coil; For models that have been upgraded with F8521801 DIN Valve Kit
	F8521801	DIN Valve Kit	220 Volt; Replaces F381701P Valve; Includes F8322905 Valve, F8382301 DIN Valve Adapter Kit and F8514601 Coil
4	F421941	Nipple	
5	F200401P	U-Bolt Clamp	
6	F422332	Elbow	
7	C000417	Nipple	
8	F380800P	Vacuum Breaker Valve	Includes items 9-12
	F0798922-00	Vacuum Breaker Kit	Includes items 9-12
9	F0170221-00	O-Ring	
10	N/A	Containment Device	
11	F0380808-00	Vacuum Breaker Cap	
12	F430938	Screw	
13	F422106	Tube Connector	
14	F422314	Elbow	
15	F200185	Water Hose	

N/A = Part no longer available

Drain Valve and Plumbing - Model UW125PV



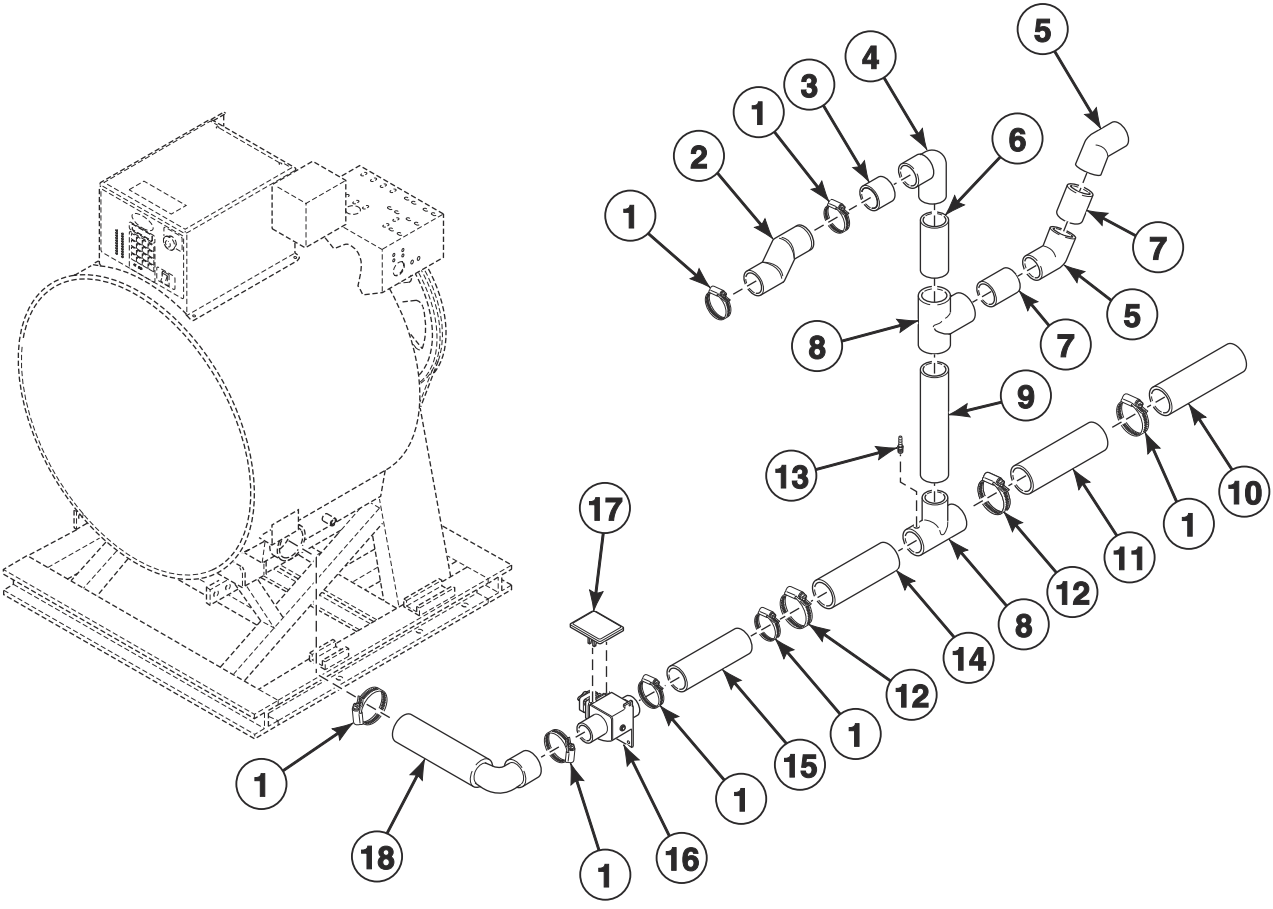
FHM2623P_F232184

Drain Valve and Plumbing - Model UW125PV

REF	PART NO.	DESCRIPTION	COMMENTS
1	F200220	Hose Clamp	No. 64
2	F0150488-00	Overflow Hose	
3	F0602365-15	Pipe	
4	N/A	Elbow	
5	F0602365-07	Pipe	
6	F422917	Elbow	
7	F0602365-11	Pipe	
8	N/A	Tee	
9	F0602365-14	Pipe	
10	F200165100	Drain Hose	
11	F200201	Hose Clamp	No. 56
12	F0602365-10	Pipe	
13	F421929	Hose Barb	
14	F0602365-20	Pipe	
15	F8602601	Drain Valve	
	F380918	Main Drive Kit	
16	F0150399-02	Drain Hose	
17	F200133600	Drain Valve Cover	
18	F150400	Drain Hose	
19	F0150399-01	Drain Hose	
20	F0602365-06	Pipe	

N/A = Part no longer available

Drain Valve and Plumbing - Models UW125AV and UW125VV



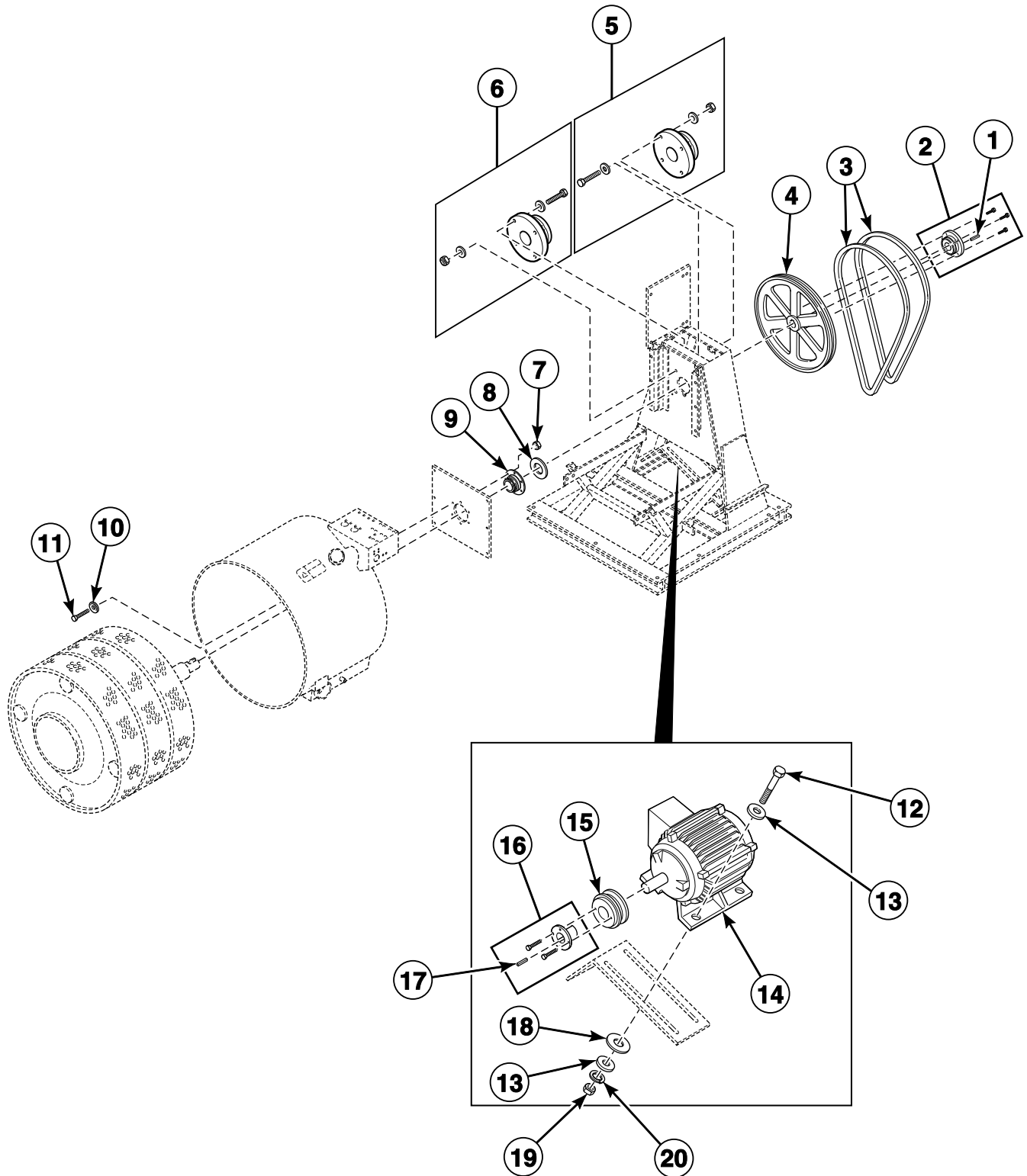
PHM2608P_F232184

Drain Valve and Plumbing - Models UW125AV and UW125VV

REF	PART NO.	DESCRIPTION	COMMENTS
1	F200201	Hose Clamp	No. 56
2	F0150488-00	Overflow Hose	
3	F0602365-15	Pipe	
4	N/A	Elbow	
5	F422917	Elbow	
6	F0602365-07	Pipe	
7	F0602365-11	Pipe	
8	N/A	Tee	
9	F0602365-14	Pipe	
10	F610376P	Drain Hose	
11	F0602365-10	Pipe	
12	F200220	Hose Clamp	No. 64
13	F421929	Hose Barb	
14	F0602365-20	Pipe	
15	F0150399-01	Drain Hose	
16	F8602601	Drain Valve	
	F380918	Main Drive Kit	
17	F200133600	Drain Valve Cover	
18	F0150399-02	Drain Hose	

N/A = Part no longer available

Motor, Belt and Pulley



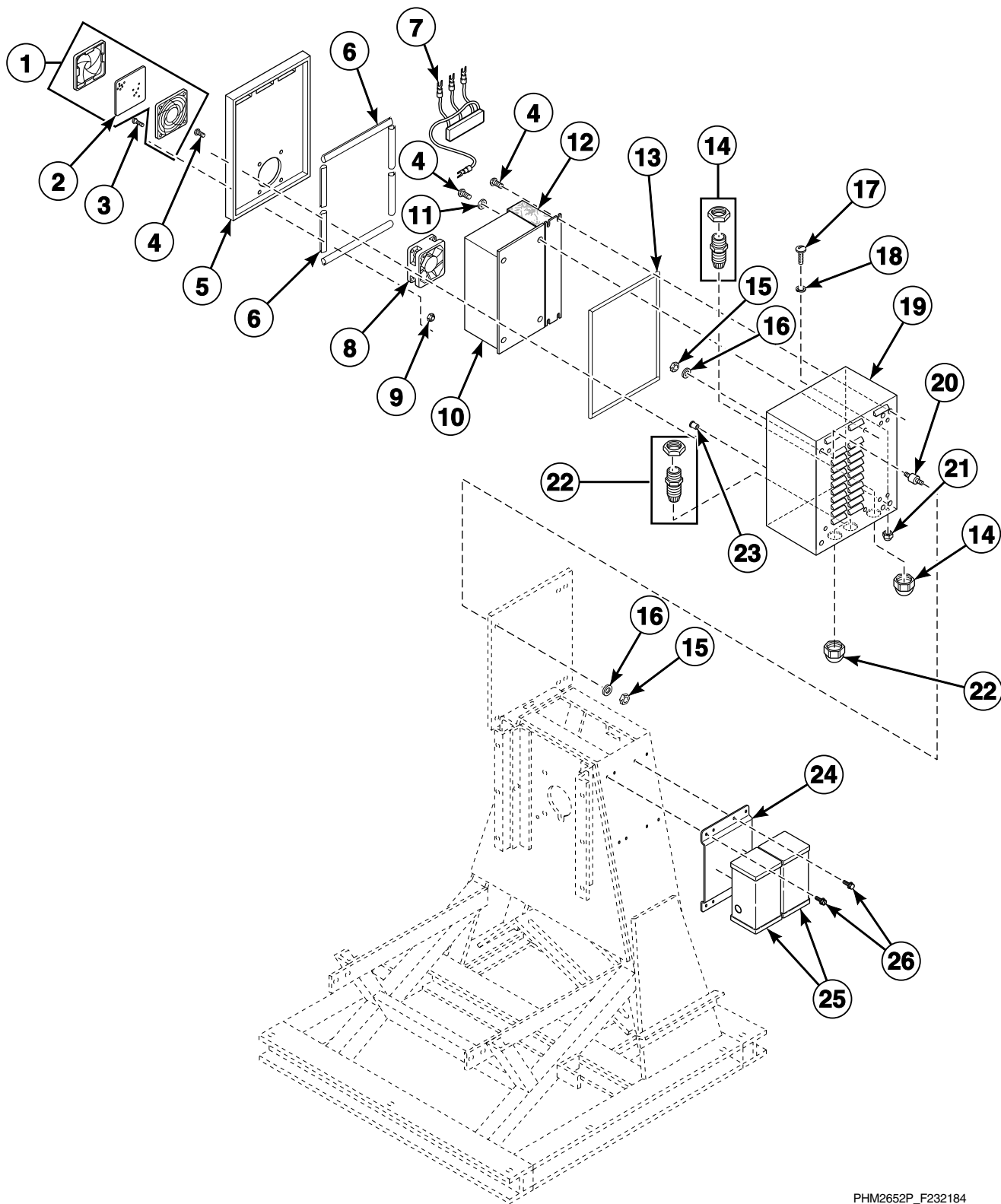
PHM2624P_F232184

Motor, Belt and Pulley

REF	PART NO.	DESCRIPTION	COMMENTS
1	44049001	Key	
2	F280294P	Basket Pulley Bushing	Includes screws and item 1; 2-7/16
3	F280355	Belt	Model UW125PV; BX108; 2 required
	F200140400P	Belt	Models UW125AV and UW125VV; 3VX1180; 1 required
4	F280412	Pulley	Model UW125PV; Basket; 2B305F
	F150268	Basket Pulley	Models UW125AV and UW125VV; 33V3350SF
5	F745004	Rear Bearing Kit	Includes F100152 Bearing, F430141 Screw, F430203 Nut, F430329 Washer and F704854 Key
6	F798835-00	Front Bearing Kit	Includes items 8, 10, 11, F431210 Pop Rivet, F704853 Key, F431005 Nut, F430329 Washer, F430317 Washer, F430203 Nut, F430141 Screw, F100152 Bearing, F410102 Clear Sealant, F170120RP Shell Band Gasket and F010030901P Face Seal
7	F430211	Nut	
8	F100205	Slinger	
9	F798833-00	Seal Kit	Includes F170120RP Shell Band Gasket, F410102 Clear Sealant, F430317 Washer, F431210 Pop Rivet and F430935 Screw
	F010030901P	Face Seal	
10	F431112	Washer	
11	F430935	Screw	
12	F430993	Screw	
13	M400081	Washer	
14	F8334801	Motor	Model UW125PV; 195 or 390 Volt; 10 hp; Replaces F220437P Motor; AC drive parameters must be compatible with the motor and motor pulley. Please request the AC drive parameter illustration for parameter verification when ordering a motor.
	F0220237-01	Motor	Models UW125AV and UW125VV; 1-1/8 inch shaft; 195 or 390 Volt; 7.5 hp; Requires F0280382-00 Motor Pulley; AC drive parameters must be compatible with the motor and motor pulley. Please request the AC drive parameter illustration for parameter verification when ordering a motor.
	F220237P	Motor	Models UW125AV and UW125VV; 195 or 390 Volt; 7.5 hp; Requires F8283501 Motor Pulley; 1-3/8 inch shaft; AC drive parameters must be compatible with the motor and motor pulley. Please request the AC drive parameter illustration for parameter verification when ordering a motor.
	F946P3	Motor Kit	Models UW125AV and UW125VV; Used to convert from F0220237-01 Motor to F220237 Motor; Includes items 14, 15 and 62541 Screw; AC drive parameters must be compatible with the motor and motor pulley. Please request the AC drive parameter illustration for parameter verification when ordering a motor.
15	F280181	Pulley	Model UW125PV; 2BK34H; 2 groove; 3.55 inch OD
	C000795P	Motor Pulley	Models UW125AV and UW125VV; Used with F0220237-01 Motor; 33V265JA; Requires F280233 Motor Bushing; 3 groove; 2.65 inch OD
	F8283501	Sheave	Models UW125AV and UW125VV; Used with F220237 Motor
16	F280242	Motor Bushing	Model UW125PV; Includes screws and item 12; H - 1-3/8
	F280233P	Bushing	Models UW125AV and UW125VV; 1-1/8 inch
17	N/A	Key	
18	F430300	Washer	
19	20274	Nut	
20	M400014	Washer	

N/A = Part no longer available

AC Drive - Model UW125PV



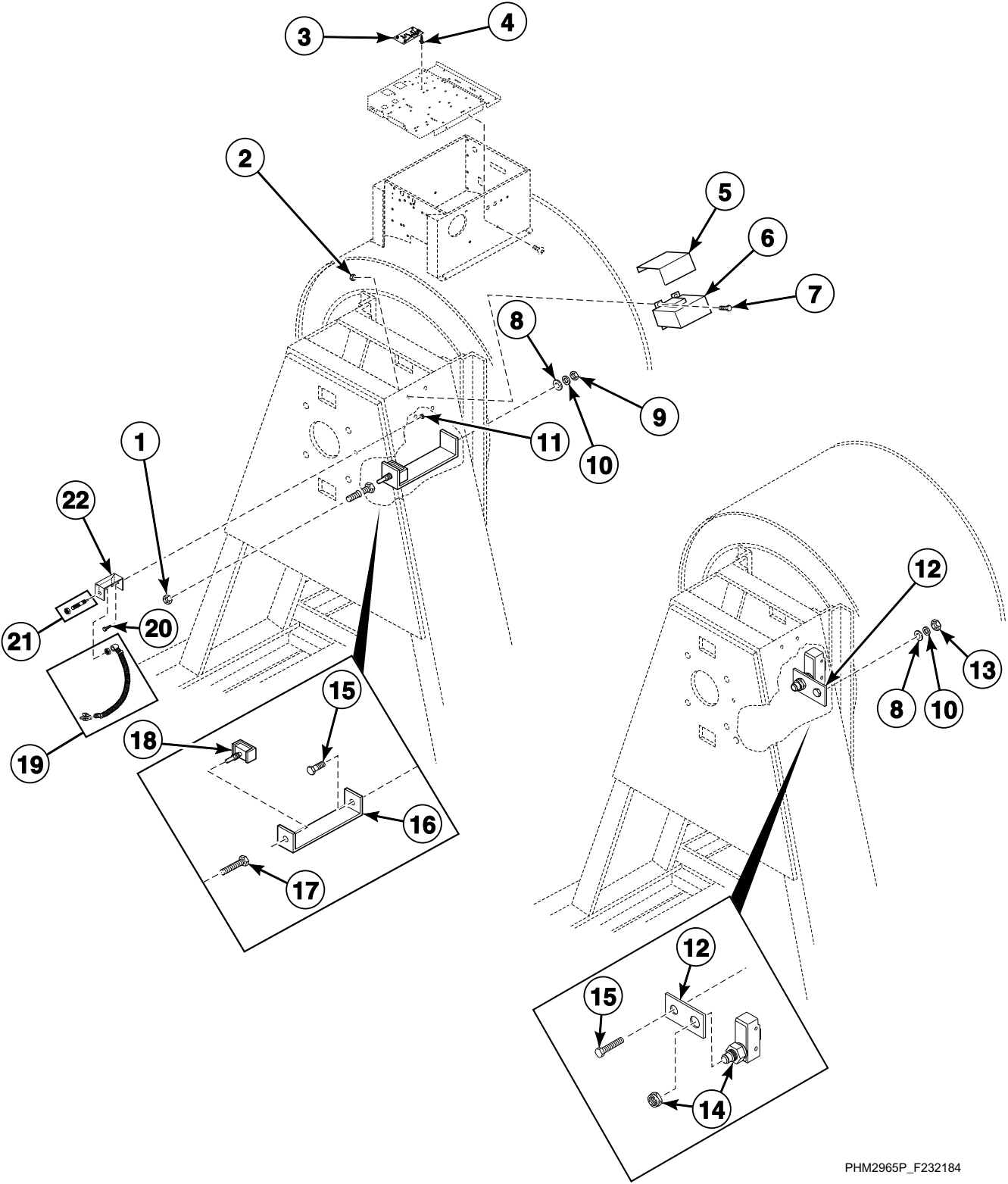
PHM2652P_F232184

AC Drive - Model UW125PV

REF	PART NO.	DESCRIPTION	COMMENTS
	F370121	Resistor	680 Ohm; 40 Watt; 1/2 wash speed resistor
	F370122	Resistor	10K Ohm; 1 Watt; 1/2 wash speed resistor
	F631229	Radio Filter Assembly	Connected to AC drive RST and GND inputs
	F0360163-00P	Line Reactor Kit	Use with F370837 Inverter Drive
	F0360168-00P	Line Reactor Kit	Use with F370834 Inverter Drive
1	F220900	Filter Retainer Guard	Includes item 2
2	F200318900P	Filter	
3	F430916	Screw	
4	F430925	Screw	
5	F633807	AC Drive Box Cover	
6	F170158P	Gasket	
7	F200320901	AC Drive Radio Filter Assembly	
8	F110105	Muffin Fan	
9	F430231	Nut	
10	F370837	Inverter Drive	200 Volt
	F370834	Inverter Drive	460 Volt
11	F430322	Washer	
12	F330274	EMI Filter	13 Amp; 200 or 400 Volt/3 Phase; Special applications only
13	F170402P	Gasket	
14	F140224	Strain Relief Connector	PG29; Standard models
	F140692	Strain Relief	CE models
15	20274	Nut	
16	M400014	Washer	
17	F430920	Screw	
18	F431108	Washer	
19	F0634035-03	AC Drive Box Assembly	Design 5; CE models; Includes items 1, 3-5, 8, 9, 11, 14-18, 20-23
	F634035-2	AC Drive Box Assembly	Design 7 and 8; Includes items 1, 3-5, 8, 9, 11, 14-18, 20-23
20	F432217	Sandwich Mount	
21	685846	Nut	
22	N/A	Terminal	PG21
23	F432212	Nut	
24	F200169700	Buckboost Plate	
25	F200031200	Transformer	Buckboost; N-voltage
	N/A	AC Drive Transformer Kit	Buckboost; N-voltage; Includes 2 of F200031200 Transformer
26	F430107	Screw	

N/A = Part no longer available

Balance Switch, Rotation Sensor and Control Transformer



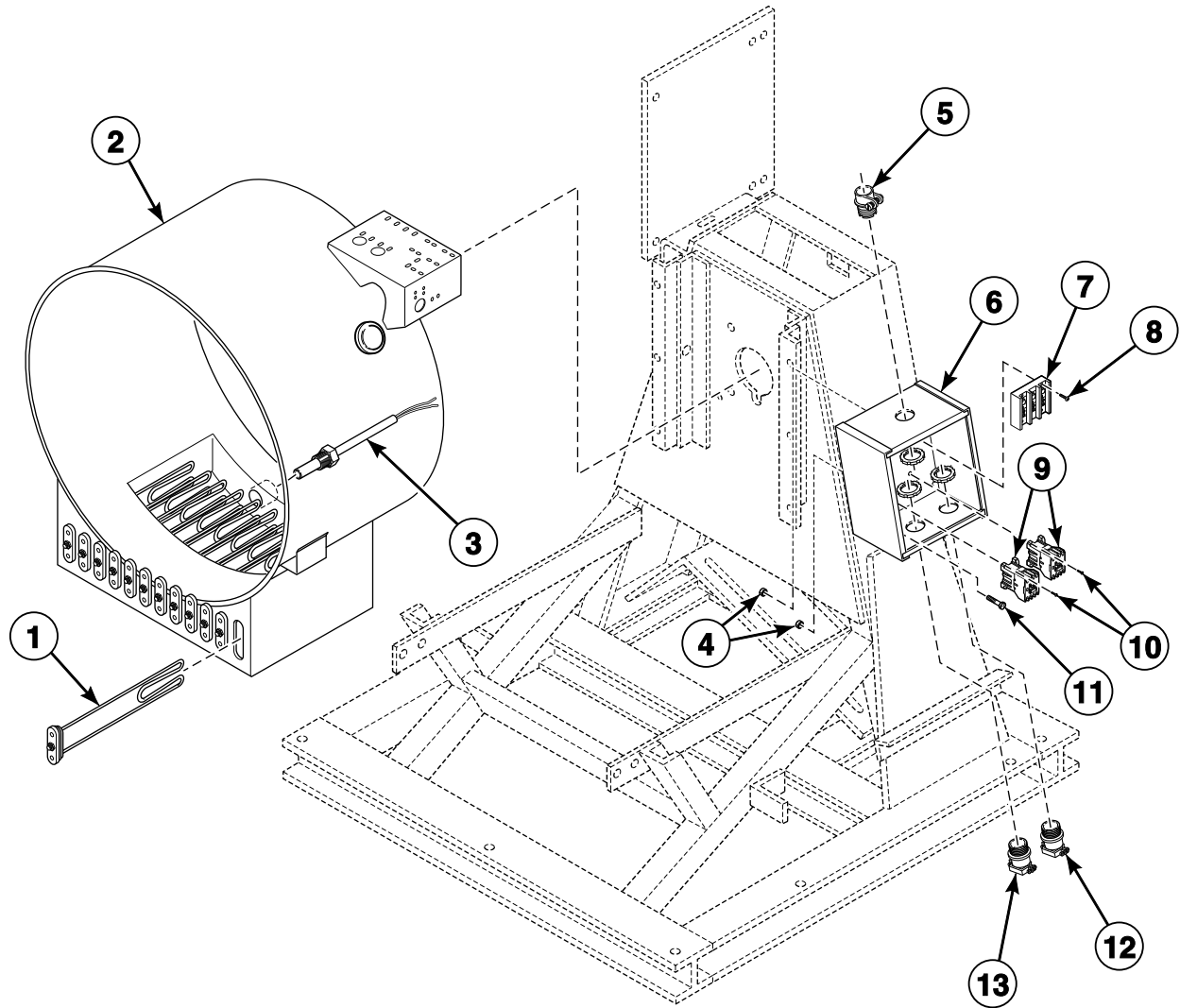
PHM2965P_F232184

Balance Switch, Rotation Sensor and Control Transformer

REF	PART NO.	DESCRIPTION	COMMENTS
1	H88412101	Nut	Models through 10/7/07
2	F430215	Nut	N and P-voltage
3	F200101300P	Rotation Sensor PCB	Model UW125PV
4	F180501	Standoff	Model UW125PV
5	F140425	Control Transformer Cover	N and P-voltage
6	F360157P	Transformer	Model UW125PV; N and P-voltage
	F360156P	Transformer	Models UW125AV and UW125VV; N-voltage
7	F430107	Screw	N and P-voltage
8	M400081	Washer	
9	20274	Nut	
10	M400014	Washer	
11	F430218	Nut	
12	F8124301	Balance Switch Bracket	Models starting 10/8/07
13	44087301	Nut	Models starting 10/8/07
14	F8165201	Door Switch	Models starting 10/8/07
15	800461	Screw	Models through 10/7/07
16	F601750	Balance Switch Bracket	Models through 10/7/07
17	F430124	Screw	
18	F340906	Microswitch	
19	F8066401	Rotation Sensor Harness	Model UW125PV
20	F430927	Screw	Model UW125PV
21	F200126200P	Rotation Sensor Assembly	Model UW125PV
	F079900800	Rotation Sensor Retrofit Kit	Model UW125PV; Includes items 3, 4, 11 and 19-22
22	F200122500	Rotation Sensor Bracket	Model UW125PV

Electric Heat Option - Model UW125PV

N and P-Voltage



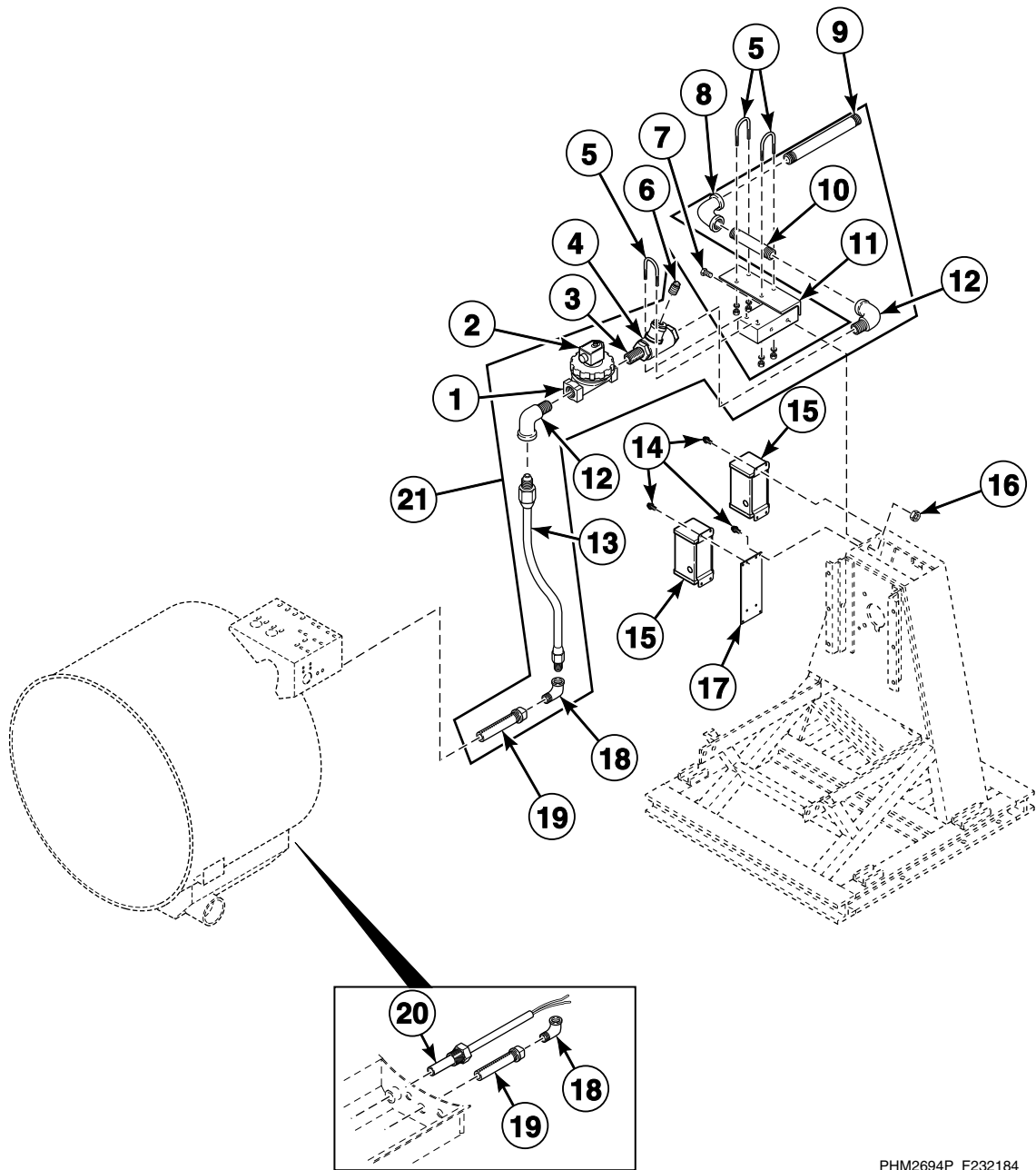
PHM2647P_F232184

Electric Heat Option - Model UW125PV

REF	PART NO.	DESCRIPTION	COMMENTS
1	F360203P	Heating Element	220 Volt; 12 required
2	N/A	Shell Assembly	Design 5
	F0637695-00	Shell Weldment	Design 7 and 8
3	F370606P	Temperature Probe	
4	F430231	Nut	
5	F140311	Squeeze Connector	Includes nut
6	F140413	Box	
7	M413865	Power Distribution Block	
8	F430938	Screw	
9	F330188P	Contactora	220 Volt; NX208
10	F430910	Screw	
11	F430916	Screw	
12	F140312	Connector	Includes nut
13	F140313	Connector	Includes nut

N/A = Part no longer available

Steam Heat Option and Transformers

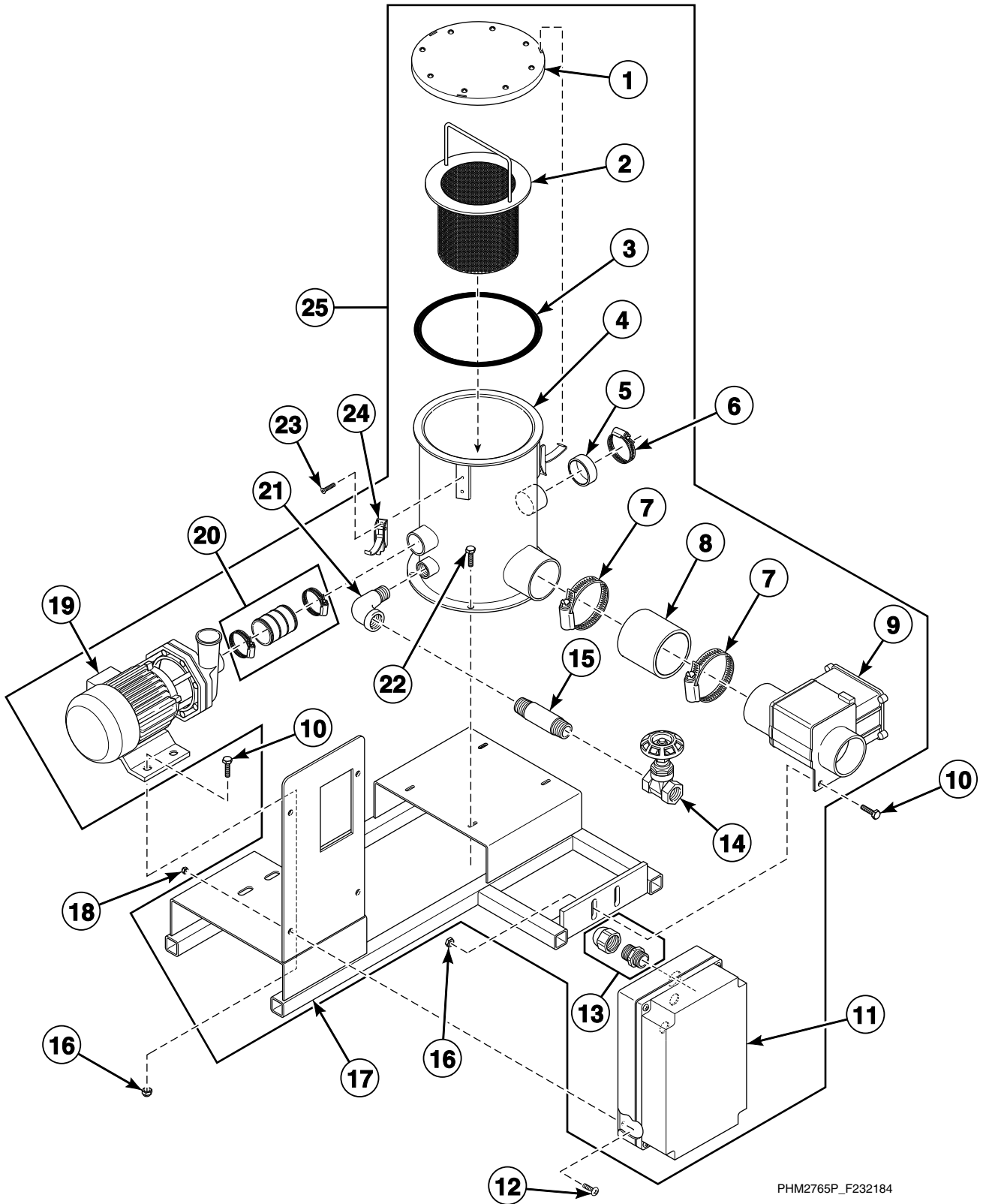


PHM2694P_F232184

Steam Heat Option and Transformers

REF	PART NO.	DESCRIPTION	COMMENTS
	F410300	Pipe Insulation	
	F8382301	DIN Valve Adapter Kit	Use with F8322901 Valve
	F8379501P	Valve Kit	Use with F8322901 Valve
	F8735005	Valve Rebuild Kit	1/2 inch; Viton
1	F8522001	DIN Valve Kit	3/4 inch; 220 Volt; Replaces F380796 Steam Valve; Includes F8322901 Valve, F8382301 DIN Valve Adapter Kit and F8514601 Coil
	F8322901P	Valve	220 Volt; Replaces F380796 Steam Valve; Includes F8514601 Coil; For models that have been upgraded with F8522001 DIN Valve Kit
2	F380987P	DIN Coil	220 Volt; Used with F380796 Steam Valve
	F8514601P	Coil	Use with F8322901 Valve
3	F420731	Nipple	
4	F270308	Steam Filter	
5	F200401P	U-Bolt Clamp	Includes washers and nuts
6	F420408	Plug	
7	F430104	Screw	
8	F421107	Elbow	
9	F420729	Nipple	
10	F0420732-00	Nipple	
11	F635634	Steam Bracket Weldment	
12	M411264	Street Elbow	
13	F0200231-00	Steam Hose	
14	F430939	Screw	Models UW125AV and UW125VV
15	F200031100	Transformer	Models UW125AV and UW125VV; Buckboost; N-voltage; 2 per machine
16	F430233	Nut	Models UW125AV and UW125VV
17	F631276	Transformer Adapter Plate	Models UW125AV and UW125VV; N-voltage
18	F421707	Street Elbow	
19	F603132	Steam Injector Tube Assembly	
20	F370606P	Temperature Probe	
21	F635754P	Steam Kit	Includes items 1-4, 6, 8-10, 12, 13, F231380 Hot Surface Warning Decal and F410300 Pipe Insulation

Wet-Clean Assembly Main View - Model UW125PV



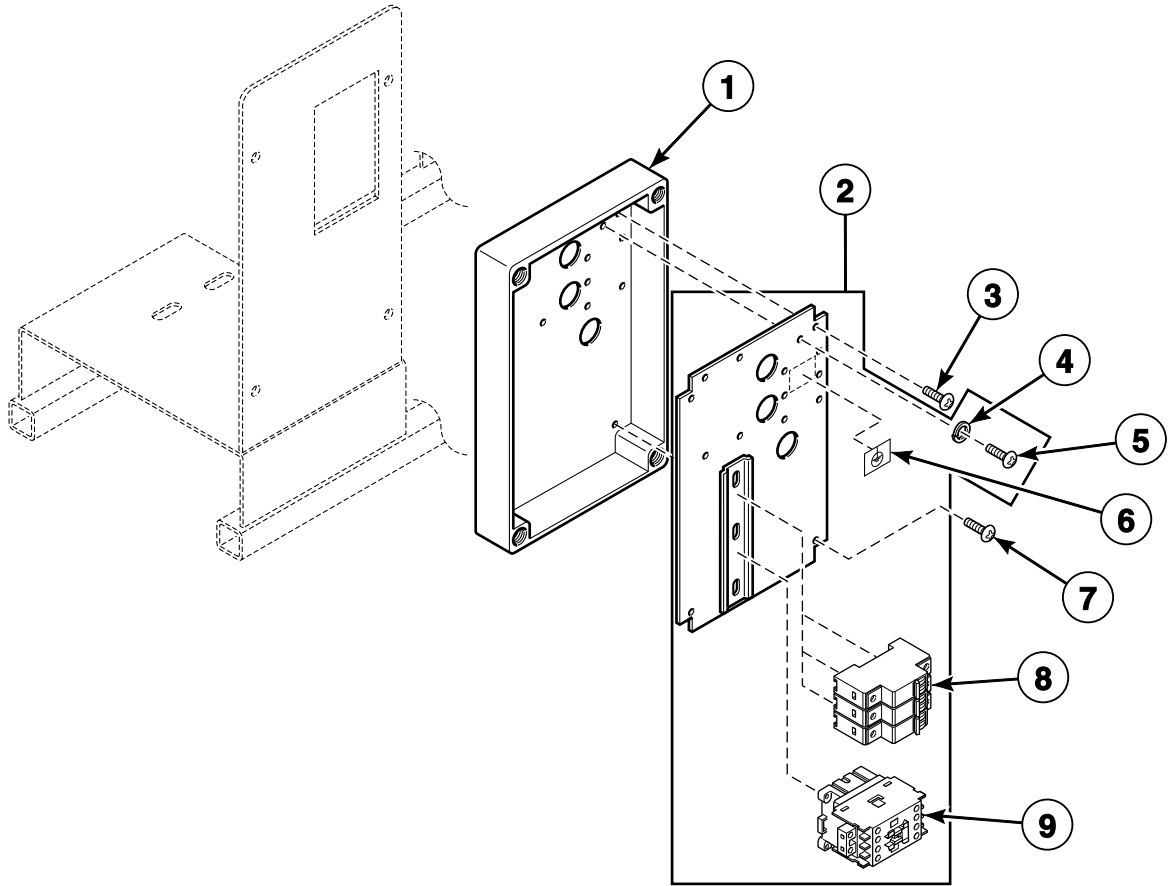
PHM2765P_F232184

Wet-Clean Assembly Main View - Model UW125PV

REF	PART NO.	DESCRIPTION	COMMENTS
1	F630300	Cover Assembly	
2	F630298	Filter Basket Weldment	
3	F170218	Canister Cover O-Ring	
4	F632355	Drain Canister Weldment	
5	F150352	Overflow Plug	
6	F200215	Hose Clamp	No. 28
7	F200201	Hose Clamp	No. 48
8	F150442	Drain Hose	
9	F380636	Ball Valve	
10	F430939	Screw	
11	F635664	Control Module Sub-Assembly	
12	F430932	Screw	
13	F140329	Strain Relief Connector	PG13
14	F380500	Gate Valve	
15	F421915	Nipple	
16	F431024	Nut	
17	F632693-2	Canister Stand Weldment	Design 5
18	F430232	Nut	
19	F270102P	Pump	
20	F422515	Tube Connector	
21	F422304	Street Elbow	
22	F430923	Screw	
23	F430903	Screw	
24	F432201	Draw Latch	
25	N/A	Wet-Clean Canister Stand Assembly	Includes items 1-9, 11, 13-15, 17, 19-21 and 24

N/A = Part no longer available

Wet-Clean Assembly Control Module - Model UW125PV



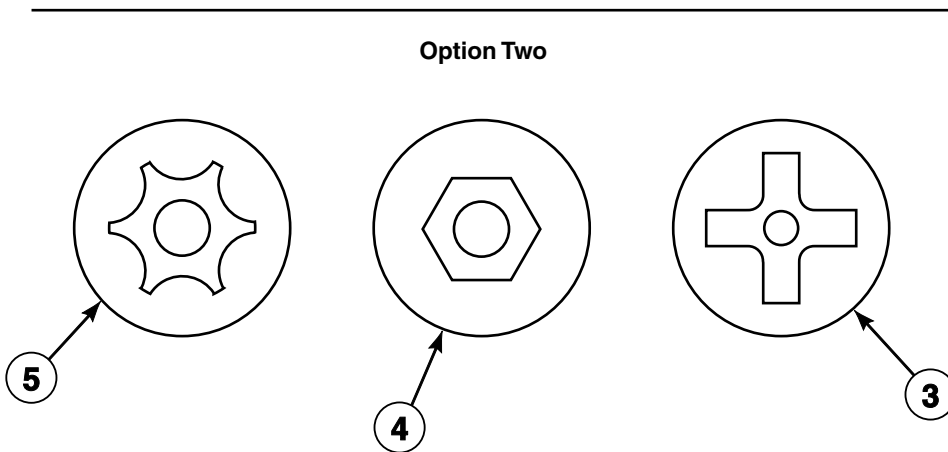
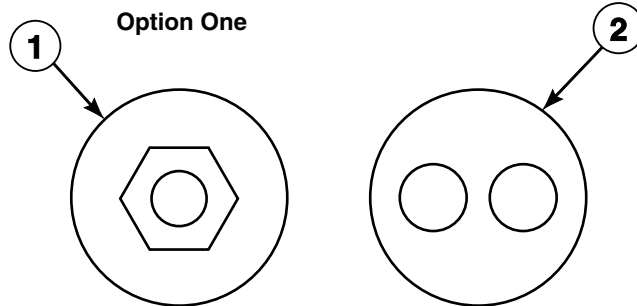
PHM2341P_F232184

Wet-Clean Assembly Control Module - Model UW125PV

REF	PART NO.	DESCRIPTION	COMMENTS
1	F140432	Box	Includes items 3 and 7
2	F634278	Control Panel Sub-Assembly	Includes items 4-6, 8 and 9
3	N/A	Screw	
4	N/A	Washer	
5	F430928	Screw	
6	F230739	Ground Decal	
7	N/A	Screw	
8	F350207P	Circuit Breaker	
9	F330177P	Contacto	

N/A = Part no longer available

Security Fasteners



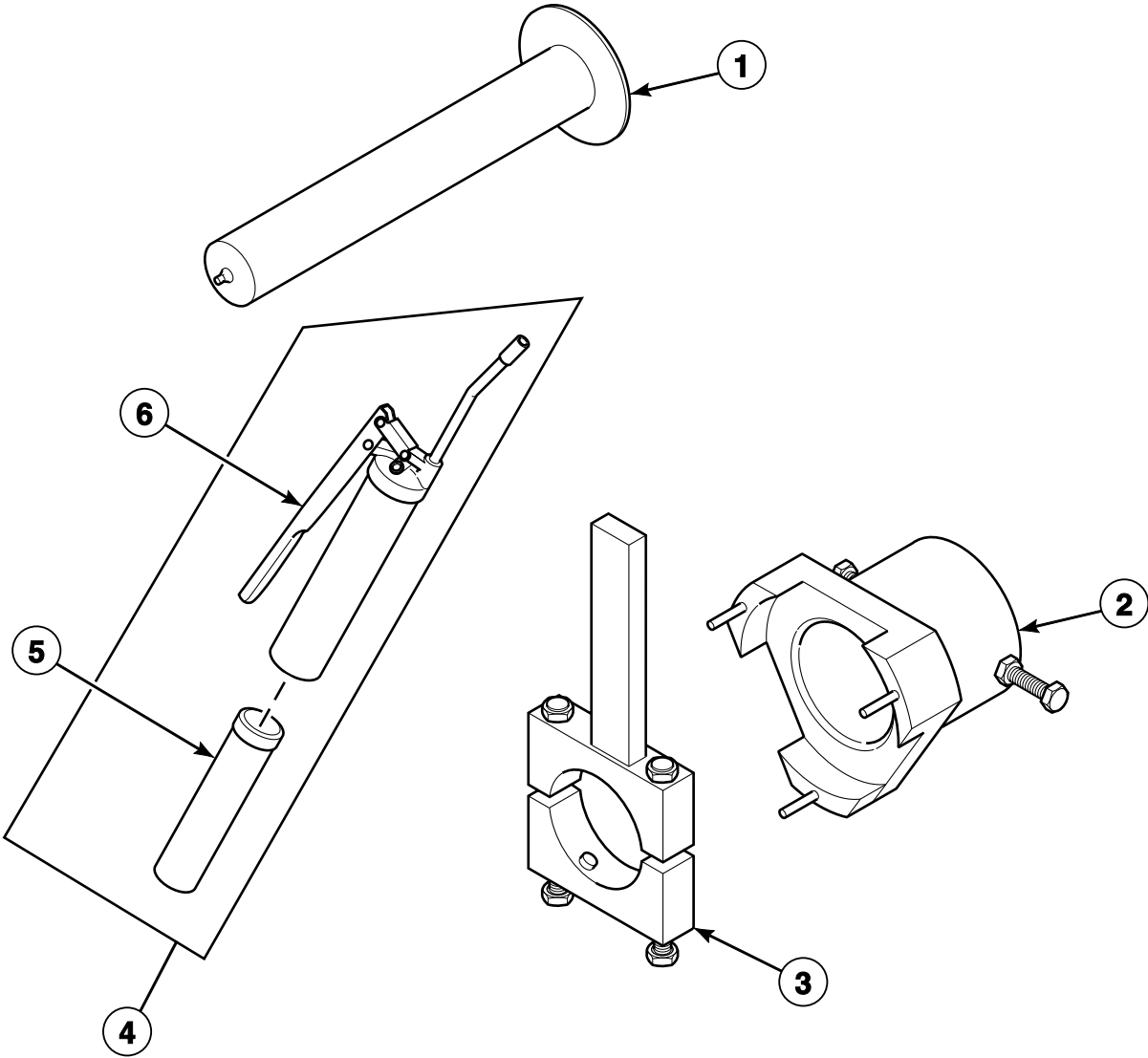
PHM2181P_F232184

Security Fasteners

REF	PART NO.	DESCRIPTION	COMMENTS
1	F0430275-00	Screw	No. 8; 32 x 1/2 inch; Used in place of F430956 Screw; Typical location is the side panels and module cover
	F430960	Screw	No. 10; 32 x 3/8 inch; Used in place of F430904 Screw; Typical location is the module to the shell
	F704906	Hex Bit	
2	F0430273-00	Screw	1/4 inch; 20 x 2-1/2 inch; Used in place of F430996 Screw; Typical location is the door box to the bracket
	F0430272-00	Screw	1/4 inch; 20 x 1-1/2 inch; Used in place of F430921 Screw; Typical location is the side panel to the bracket
	F0430274-00	Screw	1/4 inch; 20 x 1/2 inch; Used in place of F430925 Screw; Typical location is the drive box or the cover
	F704907	Spanner Bit	
3	F432260	Screw	1/4 inch; 20 x 2-1/2 inch; Used in place of F430996 Screw; Typical location is the door box to the bracket
	N/A	Phillips Bit	
4	N/A	Screw	1/4 inch; 20 x 1/2 inch; Used in place of F430925 Screw; Typical location is the drive box or cover
	N/A	Hex Bit	
5	F432259	Screw	No. 8; 32 x 1/2 inch; Used in place of F430956 Screw; Typical location is the side panels and module cover
	281P4	Torx Bit	

N/A = Part no longer available

Special Tools



PHM2640P_F232184

Special Tools

REF	PART NO.	DESCRIPTION	COMMENTS
	F730055-2	Mounting Bolt Kit	
	F601862P	Rebar Frame Template	
	F370851P	HIM Drive	Used with Allen-Bradley 160-series A and B inverter drives
	F798751	HIM Drive	Used with Allen-Bradley 160-series A, B and C inverter drives
	1113P	Concrete Hardware Kit	
1	F633431	Alignment Shaft Assembly	
2	F200293500	Seal Alignment Tool Assembly	
	F0100315-00	Shaft Seal Alignment Fixture	
3	N/A	Bearing Removal Tool	
4	F798700	Grease Gun Kit	Includes items 5 and 6
5	F210206P	Bearing Grease	
6	F210207P	Grease Gun	

N/A = Part no longer available

Parts Index

A

AC Drive Box Assembly	
F0634035-03.....	55
F634035-2.....	55
AC Drive Box Cover	
F633807.....	55
AC Drive Partition	
F635366.....	17, 19
AC Drive Radio Filter Assembly	
F200320900.....	21
F200320901.....	55
AC Drive Resistor Assembly	
F8079901P.....	23
F8080001P.....	23
Adapter	
F8265701.....	47
Air Flow Ramp Assembly	
F0637748-00.....	17, 19
Air Trap Hose	
F200163.....	9
Alignment Shaft Assembly	
F633431.....	69

B

Balance Switch Bracket	
F601750.....	57
F8124301.....	57
Ball Valve	
F380636.....	63
Basket Assembly	
F603686.....	37
Basket Pulley	
F150268.....	53
Basket Pulley Bushing	
F280294P.....	53
Battery	
F191101.....	11
Bearing Grease	
F210206P.....	69
Before Power Is Connected Tag	
F230501.....	7
Belt	
F200140400P.....	53
F280355.....	53
Belt Inspection Port Cover	
F200188300.....	29
Box	
F140413.....	59
F140432.....	65
Buckboost Plate	
F200169700.....	55
Bushing	
F280233P.....	53
Buzzer	
F300206.....	13

C

Cable Assembly	
F604713.....	15
Cable Tie	
F140605.....	11, 17, 19
F140606.....	11, 17, 19
Cable Tray Assembly	
F0635615-04.....	11, 17, 19
Cable Tray Cover	
F635378.....	11, 17, 19
Cage Wrap Assembly	
F0635825-00.....	29
F635722.....	29
Canister Cover O-Ring	
F170218.....	63
Canister Stand Weldment	
F632693-2.....	63
Cap Plug	
F180486.....	15, 23
Chemical Supply Cup	
F150385.....	39
F150386.....	39
Chemical Supply Hose	
F150487.....	39
Circuit Breaker	
F350207P.....	65
F350210.....	15
F8303001P.....	13, 21
Clockwise Spin Rotation Decal	
F230652.....	7
Coil	
F8514601P.....	43, 45, 47, 61
Cold Water Valve Decal	
F0231368-00.....	7
Computer	
F037047530P.....	19
Computer Cover	
F606826.....	11
Concrete Hardware Kit	
1113P.....	69
Conductor Decal	
F231146.....	7
Connector	
F140312.....	59
F140313.....	59
F140575P.....	15
F140576P.....	15
F422500.....	9
Contact Base	
F8538101.....	11
Contact Block Switch	
F200233401P.....	11, 17, 19
F200299500.....	11, 17, 19
F340445.....	11, 17, 19
Contact Switch	
F8069501.....	11
Contactactor	
F330177P.....	65
F330188P.....	59

N/A items do not appear in index.

Control Cover	
F0636887-00.....	19
Control Module Cover	
F200134600.....	19
F634558.....	17
F635456.....	11
Control Module Decal	
F0231565-00.....	19
F231417.....	17
F231562.....	11
Control Module Sub-Assembly	
F635664.....	63
Control Panel Sub-Assembly	
F634278.....	65
Control Transformer Cover	
F140425.....	57
Cover Assembly	
F630300.....	63

D

Diaphragm and Guide Kit	
G582P3.....	9, 41
DIN Coil	
F380987P.....	43, 45, 47, 61
DIN Harness Assembly	
F141901P.....	43, 45, 47
DIN Valve Adapter Kit	
F8382301.....	43, 45, 47, 61
DIN Valve Kit	
F8521801.....	43, 47
F8522001.....	61
Dispenser Assembly	
F0150512-00P.....	39
Dispenser Lid	
F0150514-00.....	39
Dispenser Shroud Weldment	
F8024303.....	39
Do Not Push Decal	
F230302.....	7, 29
Door Assembly	
F634711-1.....	31
F8145301.....	31
Door Box	
F634415.....	35
Door Box Assembly	
F634822-1.....	33, 35
Door Box Plate Assembly	
F634693.....	33
Door Bumper Bushing	
F430416.....	33
Door Bumper Moulding	
F150366.....	33
Door Butt	
F150233.....	31, 33
Door Butt Shim	
F601948.....	33
Door Gasket	
F8434801.....	31
Door Glass Gasket	
F170115.....	31
Door Glass Kit	
F290204P.....	31

N/A items do not appear in index.

Door Glass Retainer	
F8504901.....	31
Door Handle	
F634416.....	31
Door Handle Casting	
F150203.....	33
Door Hinge Pin	
F432307.....	33
Door Latch Bracket Shim	
F602058.....	33
Door Lock Solenoid	
F300129P.....	35
Door Switch	
F8165201.....	57
Drain Canister Weldment	
F632355.....	63
Drain Hose	
F0150399-01.....	49, 51
F0150399-02.....	49, 51
F150400.....	49
F150442.....	63
F200165100.....	49
F610376P.....	51
Drain Valve	
F8602601.....	49, 51
Drain Valve Cover	
F200133600.....	49, 51
Draw Latch	
F432201.....	63
Drive	
F8169635.....	25
F8169636.....	25
F8169686.....	25
F8169687.....	25
Drive Kit, 1336 to PowerFlex 40	
F8286104.....	25
F8286106.....	25
F8286203.....	25
F8286205.....	25
Drive Kit, 160 to PowerFlex 40	
F8255406.....	27
F8255506.....	27
Drive Mounting Plate Assembly	
F8018200.....	25

E

Elbow	
F420503.....	43
F421107.....	61
F422314.....	47
F422332.....	47
F422917.....	49, 51
F8453701.....	31
Electrical Access Panel	
F0637549-00.....	11, 17, 19
F635448.....	11
Emergency Stop Button Kit	
F200233700P.....	11, 17, 19
Emergency Stop Pushbutton	
F200233500.....	11, 17, 19
EMI Filter	
F330274.....	55

Extension Arm Tab F601639.....	33
Extension Arm Weldment F8022301.....	33
External Supply Box F635468.....	11, 17, 19
External Supply Box Cover F635365.....	11, 17, 19
External Supply Caution Decal F231345-4.....	7, 15
F231345-5.....	15
External Supply Connection Decal F230764-10.....	15
F230764-9.....	15
Extrusion Insert F150397.....	29

F

Face Seal F010030901P.....	53
Fill Plumbing Assembly F0635820-01.....	45
F0635820-02.....	45
F0635821-00.....	45
F0635821-01.....	45
Filter F200318900P.....	13, 21, 55
Filter Basket Weldment F630298.....	63
Filter Retainer Guard F220900.....	13, 21, 55
Flange Relay F330230.....	13, 21
Frame Weldment F063402100.....	37
Front Bearing Kit F798835-00.....	53
Front Panel F635718.....	29
Fuse F350108.....	13, 21
F350109.....	13, 21
F350110.....	13, 21
F350115.....	15, 23
F350142.....	15, 21, 23
Fuse Decal F0231629-00.....	23
Fuse Holder F0350312-10.....	15, 23
F0350313-00P.....	15, 23

G

Gasket F170158P.....	55
F170402P.....	55
Gate Valve F380500.....	43, 45, 63
Glass F290210P.....	31

Grease Gun F210207P.....	69
Grease Gun Kit F798700.....	69
Ground Decal F230630.....	23
F230739.....	65
Ground Terminal Lug F140734.....	15, 23

H

Heating Element F360203P.....	59
Hex Bit F704906.....	67
HIM Drive F370851P.....	69
F798751.....	69
Hose F200104P.....	37
F200155P.....	45
F610068.....	31
Hose Adapter F421909.....	43, 47
F421968.....	45
Hose Barb F421929.....	37, 49, 51
F421930.....	43
F421952.....	45
F421964.....	45
Hose Clamp F200201.....	49, 51, 63
F200204.....	45
F200213.....	39
F200215.....	9, 63
F200220.....	49, 51
36801.....	37, 41
Hose Connector F200302.....	41
Hose Strap F605324.....	29
Hot Surface Warning Decal F200085000.....	7
F231380.....	7
Hot Water Valve Decal F0231367-00.....	7

I

Injection Nozzle F8322001.....	39
Injection Nozzle Kit F730168.....	39
Input Block Decal F0231636-00.....	15, 23
Input Power Block F140794-1.....	15, 23
Insulator Bushing F140909.....	15, 23
Inverter Drive F370834.....	55

N/A items do not appear in index.

F370837	55
F370853	21
F370854	21

J

Jumper Kit F784003P	13
------------------------------	----

K

Key 44049001	53
Keymode Assembly F200174600P	15
Keymode Switch Assembly C003024P	15
Keypad F023158231P	19
F370576P	17
Keypad Decal F230724P	11

L

Line Reactor Kit F0360160-00P	21
F0360163-00P	55
F0360168-00P	21, 55
Lower Door Latch Bracket Casting F150202	33
Lower Door Latch Casting F150204	33

M

Magnet F8390801	31
Magnetic Switch Assembly F8746601	35
Main Drive Kit F380918	49, 51
Main Harness F200295900	21
Microcomputer F0370313-09P	17
Microswitch F340906	35, 57
Momentary Switch F200120100	11, 17, 19
F340412	11, 17
Motor F0220237-01	53
F220237P	53
F8334801	53
Motor Bushing F280242	53
Motor Kit F946P3	53

Motor Pulley C000795P	53
Mounting Bolt Kit F730055-2	69
Muffin Fan F110105	21, 55

N

Nipple C000417	47
F0420732-00	61
F420101	43
F420105	43
F420107	43
F420729	61
F420731	61
F421915	63
F421921	45
F421941	47
F421947	45
F421965	45
No-Swivel Coupling F422109	31

Nut

F0431807-00	29
F430211	29, 53
F430215	29, 33, 37, 57
F430218	57
F430231	11, 13, 17, 19, 21, 31, 33, 35, 55, 59
F430232	63
F430233	61
F430264	29
F431000	11, 15, 23
F431006	15, 23
F431016	23
F431022	15, 23, 31
F431024	63
F431042	39
F431043	33
F431806	21
F432212	55
F8549401	11, 17, 19, 31, 33
H88412101	57
20274	53, 55, 57
44087301	57
685846	55
70142	37
802292	39

O

O-Ring F0170221-00	43, 47
F170200	31
801632	39
Output Board Cover F0170427-00	21
Output Board VCMP Assembly F8206502P	21
Output CCA F037044860-1	21
F8321901P	13

N/A items do not appear in index.

Overflow Hose
F0150488-00..... 49, 51

Overflow Plug
F150352..... 63

P

Personal Injury Warning Decal
F231065..... 7, 15

Pin
F430415..... 29

Pipe
F0602365-06..... 49
F0602365-07..... 49, 51
F0602365-10..... 49, 51
F0602365-11..... 49, 51
F0602365-14..... 49, 51
F0602365-15..... 49, 51
F0602365-20..... 49, 51

Pipe Insulation
F410300..... 61

Plug
F0200237-00..... 37
F420408..... 61

Plug Cap
F190304..... 39

Plug Removal Warning Decal
F0230112-00..... 7, 37

Pop Rivet
F431217..... 37

Power Distribution Block
M413865..... 59

PowerFlex 40 AC Drive
F8169625..... 27
F8169626..... 27

Program Key
F370709..... 15

Pulley
F280181..... 53
F280412..... 53

Pump
F270102P..... 63

R

Radio Filter Assembly
F631229..... 55

RC Network Filter
F330217P..... 17, 19, 35

Rear Bearing Kit
F745004..... 53

Rear Panel
F200188100..... 29

Rebar Frame Template
F601862P..... 69

Repair Kit
F380965P..... 43

Resistor
F370116..... 15, 21
F370121..... 55
F370122..... 55

Retaining Ring
F310215..... 33

Ribbon Cable
F140218P..... 11, 13
F140219P..... 11, 13, 17, 19
F140248P..... 11, 13

Ring Retainer
F310206..... 31

Rotation Sensor Assembly
F200126200P..... 57

Rotation Sensor Bracket
F200122500..... 57

Rotation Sensor Harness
F8066401..... 57

Rotation Sensor PCB
F200101300P..... 57

Rotation Sensor Retrofit Kit
F079900800..... 57

Rub Rail
F150409..... 29

S

Sandwich Mount
F432217..... 55

Screw
F0430165-00..... 13, 21
F0430272-00..... 67
F0430273-00..... 67
F0430274-00..... 67
F0430275-00..... 67
F430103..... 33
F430104..... 61
F430107..... 55, 57
F430124..... 57
F430168..... 33
F430174..... 11, 17, 19
F430518..... 37
F430903..... 15, 23, 63
F430909..... 23
F430910..... 13, 21, 59
F430916..... 31, 33, 55, 59
F430917..... 11, 17, 19, 31, 39
F430920..... 25, 55
F430921..... 29
F430923..... 63
F430924..... 37
F430925..... 55
F430927..... 33, 57
F430928..... 11, 17, 19, 35, 65
F430932..... 63
F430935..... 53
F430938..... 15, 23, 43, 47, 59
F430939..... 61, 63
F430948..... 41
F430956..... 29
F430960..... 67
F430993..... 53
F430995..... 15, 23, 35
F431702..... 21
F432259..... 67
F432260..... 67
F8136401..... 11, 17, 19
70240301..... 29
800461..... 57

N/A items do not appear in index.

Scupper F150389.....	37	Steam Hose F0200231-00.....	61
Seal F170151.....	17, 19	Steam Injector Tube Assembly F603132.....	61
Seal Alignment Tool Assembly F200293500.....	69	Steam Kit F635754P.....	61
Seal Kit F798833-00.....	53	Strain Relief F140692.....	55
Shaft Seal Alignment Fixture F0100315-00.....	69	Strain Relief Adapter Kit F749802.....	39
Sheave F8283501.....	53	Strain Relief Connector F140224.....	55
Shell Band Assembly F603630.....	37	F140329.....	63
Shell Band Fastener Kit F791001.....	37	Strainer F270200.....	41
Shell Band Gasket F170120RP.....	37	Street Elbow F420500.....	43
Shell Front Assembly F634691.....	37	F420502.....	43
Shell Front Weldment F8136001P.....	37	F421707.....	61
Shell Plate Assembly F604051.....	37	F422304.....	45, 63
Shell Weldment F0634860-01.....	37	F422336.....	45
F0637542-01.....	37	M411264.....	61
F0637542-02.....	37	Studded Door Assembly F634678.....	31
F0637542-04.....	37	Supply Dispenser Hazard Caution Decal F231436.....	7, 39
F0637695-00.....	59	Supply Dispenser Spacer F0150525-00.....	39
F634440.....	37	Switch Mode Decal F0231632-00.....	15
F634860.....	37	F231564.....	15
Side Panel F635713.....	29	Swivel Coupling F422108.....	31
Side Panel Bracket F601982.....	29		
Side Panel Cover F607262.....	29		
Slinger F100205.....	53		
Snap Bushing F140938.....	9		
Spanner Bit F704907.....	67		
Spray Rinse Bracket Assembly F602901P.....	31		
Spray Rinse Hose Kit F730023.....	31		
Spray Rinse Nozzle Kit F730077.....	31		
Spray Rinse Strap F602880.....	31		
Spray Rinse Tube Assembly F060369613.....	31		
F610363.....	43		
Squeeze Connector F140311.....	59		
Standoff F180501.....	57		
F180506.....	13, 21		
Steam Bracket Weldment F635634.....	61		
Steam Filter F270308.....	61		

T

Tee F420402.....	43
F420403.....	43
Temperature Probe F370606P.....	59, 61
Terminal Block F140776.....	23
F140782.....	15
This Machine Must Be Protected Decal F230301.....	7
Tie Wrap Mounting Clamp F140602.....	11, 17, 19
Top Fill Assembly F610260.....	43
Top Latch Bracket Casting F150201P.....	33
Torx Bit 281P4.....	67
Transformer F200031100.....	61
F200031200.....	55
F360156P.....	57
F360157P.....	57
Transformer Adapter Plate F631276.....	61
Trim F170400RP.....	29, 39

N/A items do not appear in index.

F170404	17, 19
Tube Connector	
F422106	43, 47
F422515	63
Tubing	
F422404P	9

U

U-Bolt Clamp	
F200401P	47, 61

V

Vacuum Breaker Cap	
F0380808-00	43, 47
Vacuum Breaker Kit	
F0798922-00	47
Vacuum Breaker Valve	
F380800P	43, 47
Valve	
F381733P	45
F8322803P	45
F8322901P	61
F8322905P	43, 47
Valve Kit	
F8379501P	61
Valve Rebuild Kit	
F8379502	43, 47
F8735005	61
F8735006	43, 47
Valve Transition Kit	
F8379503P	45
Valve, 4-Way	
F381723P	9, 41

W

Warning Label	
D500316	7, 11, 17, 19
Washer	
F430300	53
F430312	33
F430322	55
F431100	29, 31, 33
F431106	15, 23
F431108	11, 15, 17, 19, 23, 55
F431112	53
F431113	11, 17, 19
F431116	37, 39
F431118	33
F431123	11, 17, 19
F431125	11, 17
F8195301	39
M400013	37
M400014	29, 37, 53, 55, 57
M400081	53, 57
Water Hose	
F200110P	41
F200185	43, 45, 47
F200193	45

Water Level Switch	
F0340348-10P	9
Water Valve Assembly Decal	
F230754	41
Water Valve Repair Kit	
F0381007P	45
WE-6 Computer	
F037062441P	11
WE-6 Interface CCA Kit	
F0370446-21P	13

Y

Y Connector	
F422816	41

N/A items do not appear in index.

