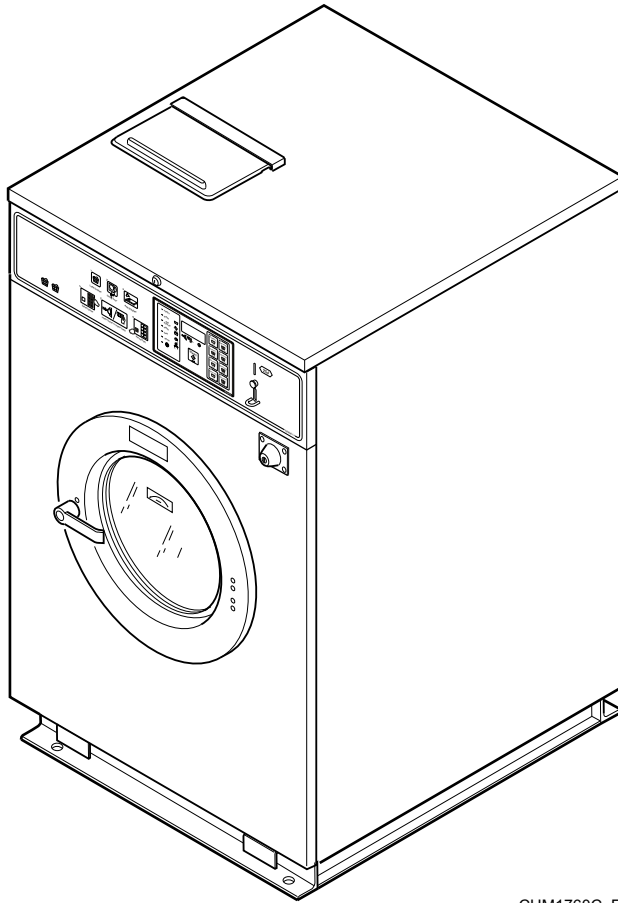


Washer-Extractor

Cabinet Hardmount

A or B Control

Refer to Page 5 for Model Numbers



CHM1760C_F232194

Table of Contents

Title	Page
Parts Ordering Information.....	3
Serial Plate Location	3
Model Identification	5
Product Overview for A and B-Control.....	6
Product Overview for NetMaster, Mechanical Timer and P, S and V-Computer	8
Decals	10
Control Module - Models Through July 14, 2004	12
AC Drive Box - Variable-Speed and F-Speed Models Through July 14, 2004	14
Control Module - AC, AL, AX, AY, BC, BL, BX and BY Models Starting July 14, 2004	16
Control Module - AN and BN Models Starting July 15, 2004	18
AC Drive Box - 30, 40, 60 Pound HC, SC and UC Variable and F-Speed Models Starting July 15, 2004	20
AC Drive Box - HC20 Variable-Speed Models Starting July 15, 2004.....	22
AC Drive.....	24
Coin Meter Mounting Assembly, Water Level Switch and Keypad	26
Output Board CCA, Computer, Interface CCA and Thermostat.....	28
Control Panel Assembly and Control Panel Decals - All Models Except AN and BN Models (Drawing 1 of 2).....	30
Control Panel Assembly and Control Panel Decals - All Models Except AN and BN Models (Drawing 2 of 2).....	32
Control Panel Assembly and Control Panel Decals - All Models Except AN, AY, BN and BY Models	34
Control Panel Assembly, Controls and Control Panel Decals - AN and BN Models.....	36
Optional Coin Box	38
Flush Mount Coin Meter Assembly - Single Drop AC, AX, BC, and BX Models.....	40
Flush Mount Coin Meter Assembly - Dual Drop AC, AX, BC and BX Models.....	42
Electronic Coin Meter Assembly - AC, AX, BC and BX Models.....	44
Card Reader - AY Models	46
Fill Plumbing Assembly and External Supply Assembly	48
Supply Hose and Filter (Optional).....	50
Drain Valve Assembly - 20, 25 and 30 Pound DC, HC, SC and UC Models	52
Drain Valve Assembly - 40, 50 and 60 Pound DC, HC, SC and UC Models	54
Drain, Hoses and Air Trap	56
Drain Hoses and Air Trap - DC60, HC50, HC60, SC50, SC60, UC50 and UC60 Models with Heat Shell.....	58
Pump Drain Option - DC30, HC30, SC30 and UC30 E-Voltage Models	60
Pump Drain Option - HC20, HC25, SC20, SC25, UC20 and All HC30, SC30 and UC30 Models Except E-Voltage Models	62
Door (Drawing 1 of 2).....	64
Door (Drawing 2 of 2).....	66
Door Lock - AC, AL, AX, AY, BC, BL, BX and BY Models	68
Door Lock - AN and BN Models.....	70
Inner and Outer Front Panels - AN, AY, BL, BN and BY Models.....	72
Inner and Outer Front Panels - AC, AL, AX, BC and BX Models.....	74
Panels (Drawing 1 of 3)	76
Panels (Drawing 2 of 3)	78

© Copyright 2025, Alliance Laundry Systems LLC

All rights reserved. No part of the contents of this book may be reproduced or transmitted in any form or by any means without the expressed written consent of the publisher.

Panels (Drawing 3 of 3)	80
Shell Front.....	82
Basket - 20, 25 and 30 Pound Models.....	84
Basket - 40, 50 and 60 Pound Models.....	86
Trunnion - 20, 25 and 30 Pound Models.....	88
Trunnion- 40 and 50 Pound Models.....	90
Trunnion- 60 Pound Models.....	92
Shell and Frame.....	94
Balance Switch - HC60, SC60 and UC60 Variable-Speed Models.....	96
Pulley, Belt and Capacitors - 20, 25 and 30 Pound Capacity Models	98
Motor - 20 Pound Capacity Models.....	100
Motor - 25 and 30 Pound Capacity Models.....	102
Motor Pulley - 20, 25 and 30 Pound Capacity Models.....	104
Pulley and Belt Assembly - 40, 50 and 60 Pound Capacity Models	106
Motor - 40, 50 and 60 Pound Capacity Models.....	108
Motor Pulley - 40, 50 and 60 Pound Capacity Models.....	110
Steam Heat Kit.....	112
Electric Heat Kit	114
Special Tools	116
Parts Index.....	119

Parts Ordering Information

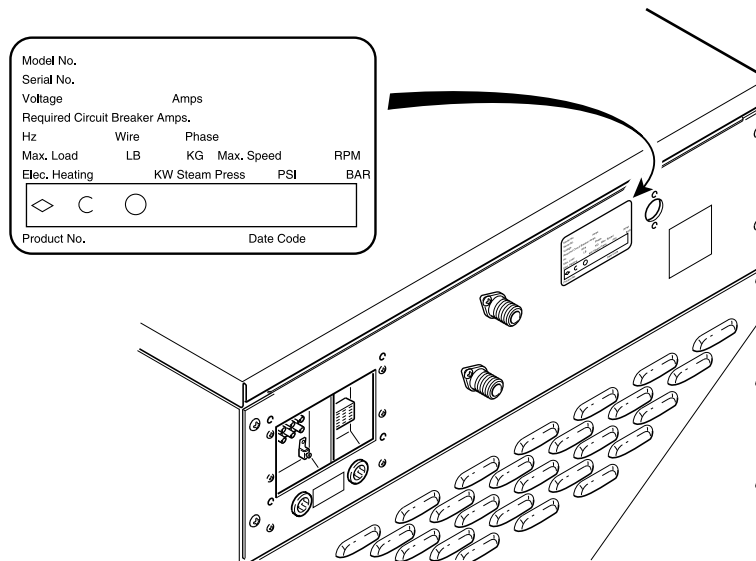
If literature or replacement parts are required, contact the source from whom the machine was purchased or contact Alliance Laundry Systems at (920) 748-3950 for the name and address of the nearest authorized parts distributor.

For technical assistance, call the number listed below:

(920) 748-3121 Ripon, Wisconsin

Serial Plate Location

When calling or writing about your product, be sure to mention model and serial numbers. Model and serial numbers are located on serial plate(s) as shown.



CHM2411P_F232194

Model Identification

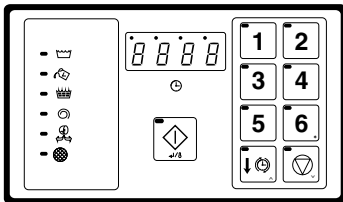
Information in this manual is applicable to these washer-extractor models:

DC20AC2	HC40AC2	SC20AC2	SC40AC2	SC60BC2
DC30AC2	HC40ACV	SC20ACV	SC40ACV	SC60BCF
DC40AC2	HC40AL2	SC20AL2	SC40AL2	SC60BL2
DC60AC2	HC40AX2	SC20AN2	SC40AN2	SC60BLF
HC20AC2	HC40AY2	SC20AX2	SC40ANV	SC60BN2
HC20ACV	HC40AYV	SC20AY2	SC40AX2	SC60BNF
HC20AL2	HC40BC2	SC20AYV	SC40AY2	SC60BX2
HC20AX2	HC40BL2	SC20BC2	SC40AYV	SC60BXF
HC20AY2	HC40BN2	SC20BL2	SC40BC2	SC60BY2
HC20AYV	HC40BX2	SC20BN2	SC40BL2	SC60BYF
HC20BC2	HC40BY2	SC20BX2	SC40BN2	UC20AN2
HC20BL2	HC50BC2	SC20BY2	SC40BX2	UC20BN2
HC20BN2	HC50BL2	SC25AC2	SC40BY2	UC30AN2
HC20BX2	HC50BN2	SC25AL2	SC50BC2	UC30BN2
HC20BY2	HC50BX2	SC25AX2	SC50BL2	UC40AN2
HC25AC2	HC50BY2	SC25AY2	SC50BN2	UC40ANV
HC25AL2	HC60AC2	SC25BC2	SC50BX2	UC40BN2
HC25AX2	HC60ACF	SC25BL2	SC50BY2	UC50BN2
HC25AY2	HC60ACV	SC25BX2	SC60AC2	UC60AN2
HC25BC2	HC60AL2	SC25BY2	SC60ACF	UC60ANF
HC25BL2	HC60ALF	SC30AC2	SC60ACV	UC60ANV
HC25BX2	HC60AX2	SC30ACV	SC60AL2	UC60BN2
HC25BY2	HC60AXF	SC30AL2	SC60ALF	UC60BNF
HC30AC2	HC60AY2	SC30AN2	SC60AN2	
HC30ACV	HC60AYF	SC30AX2	SC60ANF	
HC30AL2	HC60AYV	SC30AY2	SC60ANV	
HC30AX2	HC60BC2	SC30AYV	SC60AX2	
HC30AY2	HC60BCF	SC30BC2	SC60AXF	
HC30AYV	HC60BL2	SC30BL2	SC60AY2	
HC30BC2	HC60BLF	SC30BN2	SC60AYF	
HC30BL2	HC60BN2	SC30BX2	SC60AYV	
HC30BN2	HC60BNF	SC30BY2		
HC30BX2	HC60BX2			
HC30BY2	HC60BXF			
	HC60BY2			
	HC60BYF			

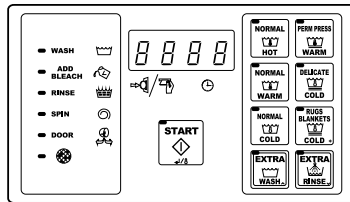
Product Overview for A and B-Control

Model No. *C40AC20U60001
 Serial No. 00000000000
 Voltage 208 – 240 Amps 7
 Required Circuit Breaker Amps 15
 Hz 60 Wire 3 Phase 3
 Max. Load 40 LB 18.2 KG Max. Speed 470 RPM
 Elec. Heating N/A KW Steam Press. N/A PSI 0 BAR
 Drawing:

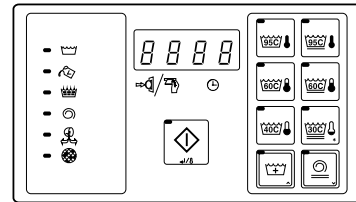
ETL LISTED
 CONFORMS TO
 ANSUL STD. 1555
 ANSUL STD. 1206
 ETL TESTING LABORATORIES, INC.
 CORTLAND, NEW YORK 13045



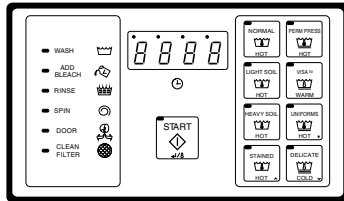
A-Control OPL



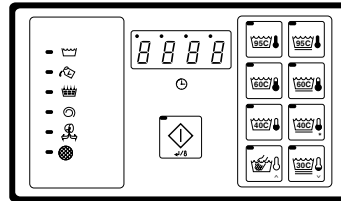
A-Control Coin (Domestic)



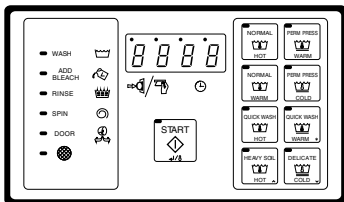
A-Control Coin (International)



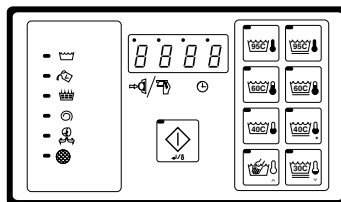
B-Control OPL (Domestic)



B-Control OPL (International)



B-Control Coin (Domestic)



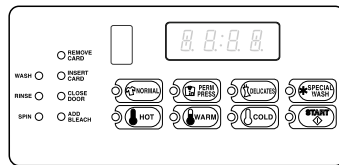
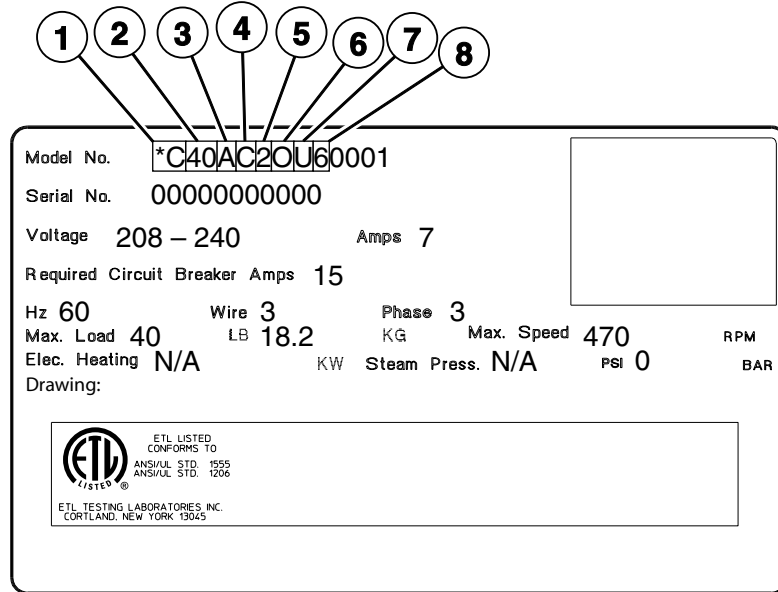
B-Control Coin (International)

CHM2976P_F232194

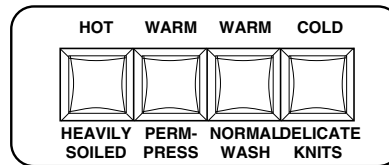
Product Overview for A and B-Control

REF	PART NO.	DESCRIPTION	COMMENTS
1	-	Product Family	DC HC NC SC UC
2	-	Capacity (Pounds)	18 20 25 27 30 35 40 50 60 80 100 125
3	-	Control	A (A-Control) B (B-Control)
4	-	Actuation	C (Drop Coin Meter) D (Digital Coin Meter) L (Prep for Remote/Central Pay) N (Non-Coin - OPL) R (Cardmate Plus II) X (Prep for Coin Meter) Y (Prep for Card Reader)
5	-	Speed	2 (2-Speed) 3 (3-Speed) F (F-Speed) V (Variable Speed)
6	-	Voltage	B (120/60/1/2) C (380-415/50/3/3) D (220-240/50/3/3) E (220-240/50/1/2) F (440-480/60/3/3) J (220/50/3/3) N (440-480/50-60/3/3) O (200-240/60/3/3) P (380-415/50-60/3/3) Q (200-240/50-60/3/3) X (200-240/50-60/1/3) Y (208-240/60/1/2)
7	-	Side Panel	N (Network Board Installed) P (Network Adaptable) U (Standard Specs) 1 (Stainless Steel) 2 (Network Board Installed with Stainless Sides) 3 (Network Adaptable with Stainless Sides)
8	-	Design	1-4 and 6

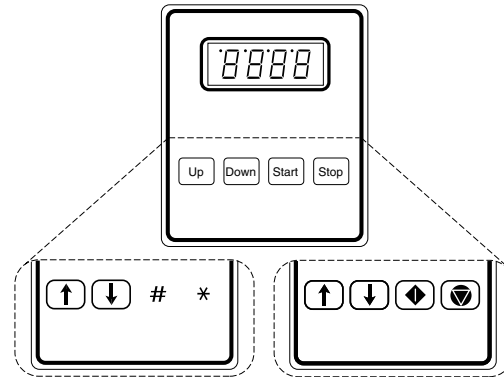
Product Overview for NetMaster, Mechanical Timer and P, S and V-Computer



NetMaster



Mechanical Timer



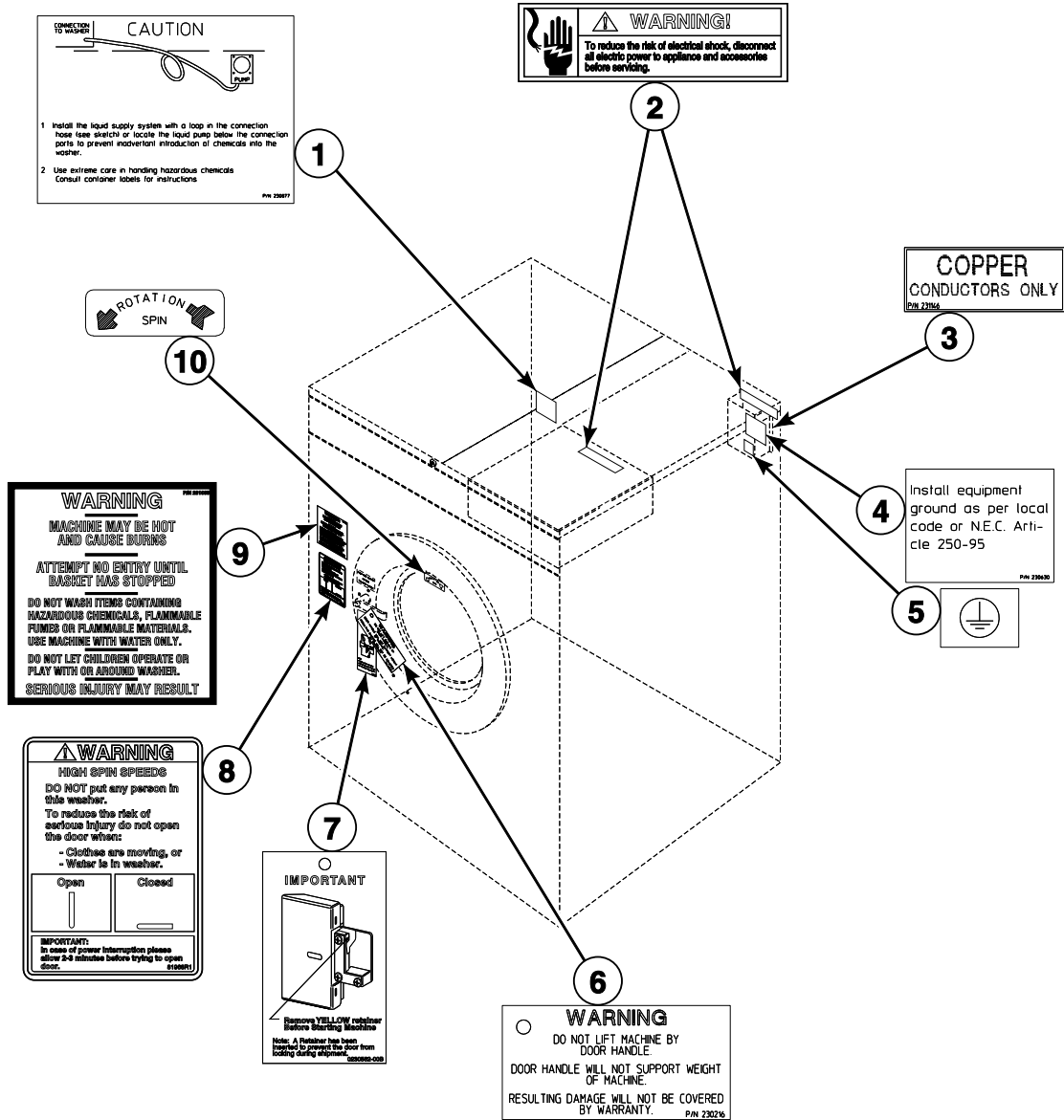
P, S and V-Computer

CHM2977P_F232194

Product Overview for NetMaster, Mechanical Timer and P, S and V-Computer

REF	PART NO.	DESCRIPTION	COMMENTS
1	-	Product Family	DC HC NC SC UC
2	-	Capacity (Pounds)	18 20 25 27 30 35 40 50 60 80 100 125
3	-	Control	M (Mechanical Timer) N (NetMaster) P (P-Computer) S (S-Computer) V (V-Computer)
4	-	Actuation	C (Drop Coin Meter) D (Digital Coin Meter) L (Prep for Remote/Central Pay) N (Non-Coin - OPL) R (Cardmate Plus II) X (Prep for Coin Meter) Y (Prep for Card Reader)
5	-	Speed	2 (2-Speed) 3 (3-Speed) F (F-Speed) V (Variable Speed)
6	-	Voltage	B (120/60/1/2) C (380-415/50/3/4) D (220-240/50/3/3) E (220-240/50/1/2) F (440-480/60/3/3) J (220/50/3/3) N (440-480/50-60/3/3) O (200-240/60/3/3) P (380-415/50-60/3/3) Q (200-240/50-60/3/3) X (200-240/50-60/1/3) Y (208-240/60/1/2)
7	-	Side Panel	N (Network Board Installed) P (Network Adaptable) U (Standard Specs) 1 (Stainless Steel) 2 (Network Board Installed with Stainless Sides) 3 (Network Adaptable with Stainless Sides)
8	-	Design	1-4 and 6

Decals

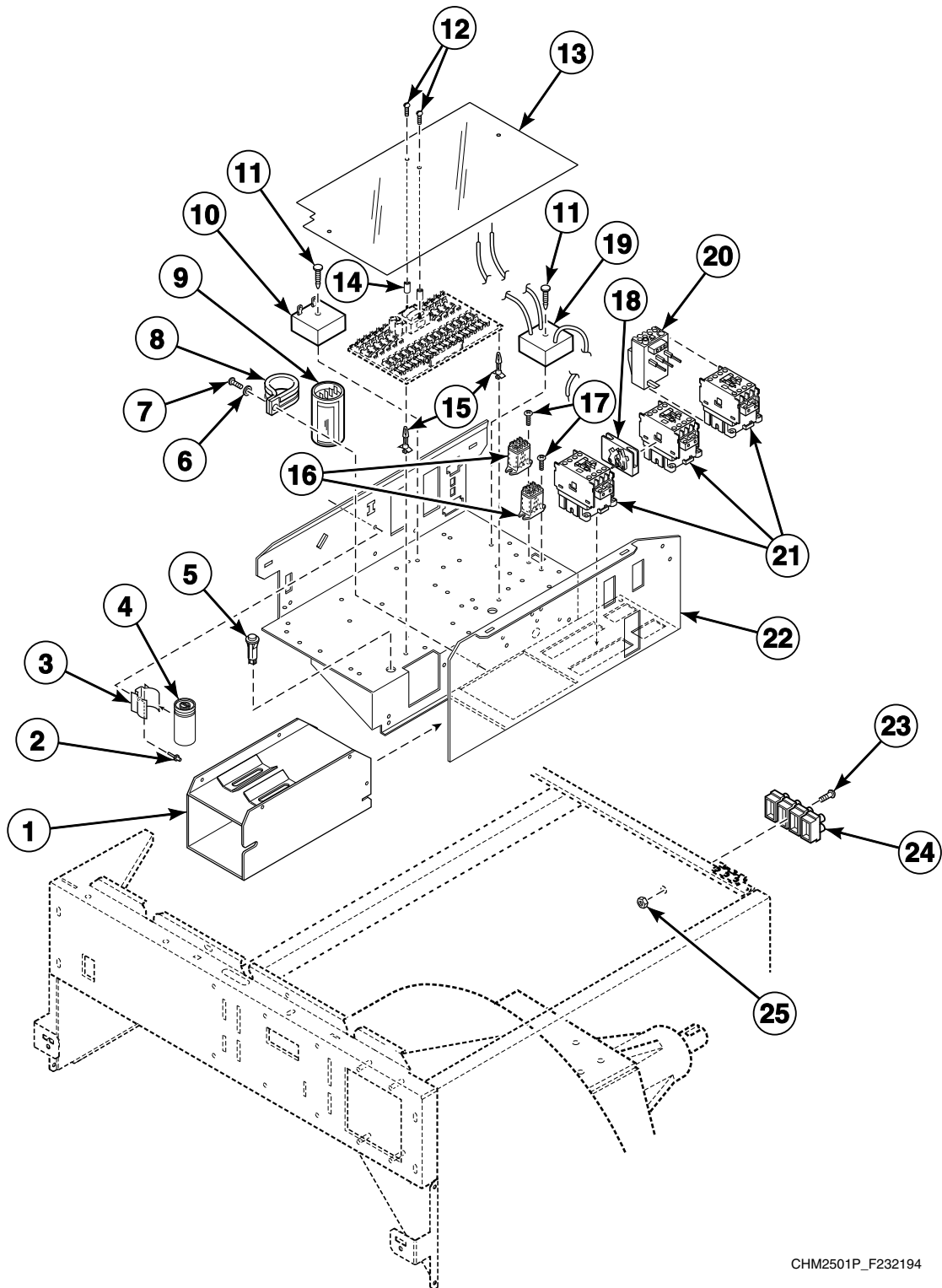


CHM2500P_F32194

Decals

REF	PART NO.	DESCRIPTION	COMMENTS
1	F230877	Liquid Supply Decal	AN and BN models
2	D505281	Disconnect Power Warning Label	
3	F231146	Conductor Decal	
4	F230630	Ground Decal	
5	F230739	Ground Decal	
6	F230216	Do Not Lift Decal	
7	F230528	Remove Door Lock Tag	AN and BN models
8	81968	Door Warning Label	
9	F231065	Personal Injury Warning Decal	
10	F230693	Counterclockwise Spin Rotation Decal	English
	F230914	Spin Rotation Decal	Universal

Control Module - Models Through July 14, 2004

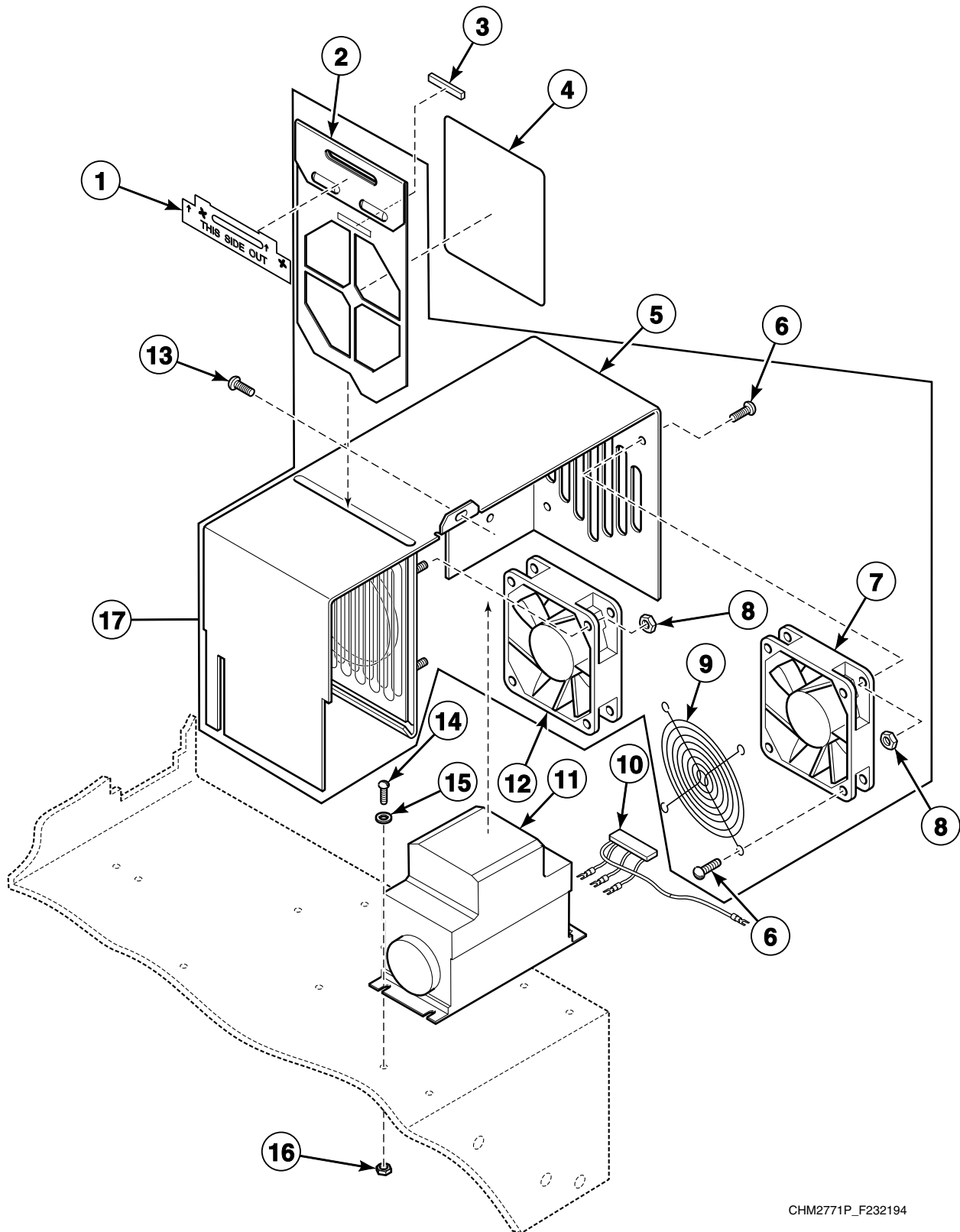


CHM2501P_F232194

Control Module - Models Through July 14, 2004

REF	PART NO.	DESCRIPTION	COMMENTS
1	F0637138-00	Coin Box Cover Assembly	Models through 8/15/2002
	F0637455-00	Coin Box Assembly	Models starting 8/16/2002
2	F431215	Pop Rivet	
3	F0320211-00	Capacitor Mounting Bracket	
4	F370225P	Capacitor	
5	F350404	Signal Light	Red
6	F430311	Washer	
7	F430177	Screw	
8	F0340722-00	Switch Clamp	
9	F340002	Motor Switch	All 1 Phase models except B-voltage models
10	F0330404-00P	Timer	Models through 8/5/2005
11	F0432316-00	Ratchet Fastener	Models through 8/5/2005
12	F431702	Screw	
13	F0170427-00	Output Board Cover	
14	F431806	Nut	
15	F180501	Standoff	
16	F330230	Flange Relay	Models through 8/5/2005
17	F0430165-00	Screw	Models through 8/5/2005
18	F330186P	Interlock Contactor	
19	F200296100P	Time Delay Assembly	
20	F8344001P	Overload Contactor	HC20, HC25, HC30, SC20, SC25, SC30, UC20 and UC30 models
	F8344101P	Overload Contactor	HC40, SC40 and UC40 models; Models with AO Smith motors
	F8176101P	Overload Contactor	HC40, HC50, SC40, SC50, UC40 and UC50 models; Models with Elmo motors
21	F330177P	Contactor	
22	F0636682-00	Module Box Assembly	2 speed models
	F0636185-01	Module Box Tray	Variable and F-speed models
23	F430938	Screw	Used with F140748, F140747 and F140746 Input Power Block
	F430903	Screw	Used with F0140795-00, F0140798-00 and F0140799-00 Input Block
24	F140748	Input Power Block	2 terminal; AC, AL, AX, AY, BC, BL, BX and BY models
	F140747	Input Power Block	3 terminal; AC, AL, AX, AY, BC, BL, BX and BY models
	F140746	Input Power Block	4 terminal; AC, AL, AX, AY, BC, BL, BX and BY models
	F0140795-00	Input Block	2 terminal; BN models; AC, AL, AX, AY, BC, BL, BX and BY models with heat or pump
	F0140798-00P	Input Block	3 terminal; BN models; AC, AL, AX, AY, BC, BL, BX and BY models with heat or pump
	F0140799-00	Input Block	4 terminal; BN models; AC, AL, AX, AY, BC, BL, BX and BY models with heat or pump
	F0636352-04	Harness	Connects to J6-1
25	F430231	Nut	Used with F140748, F140747 and F140746 Input Power Block
	F430232	Nut	Used with F0140795-00, F0140798-00 and F0140799-00 Input Block

AC Drive Box - Variable-Speed and F-Speed Models Through July 14, 2004



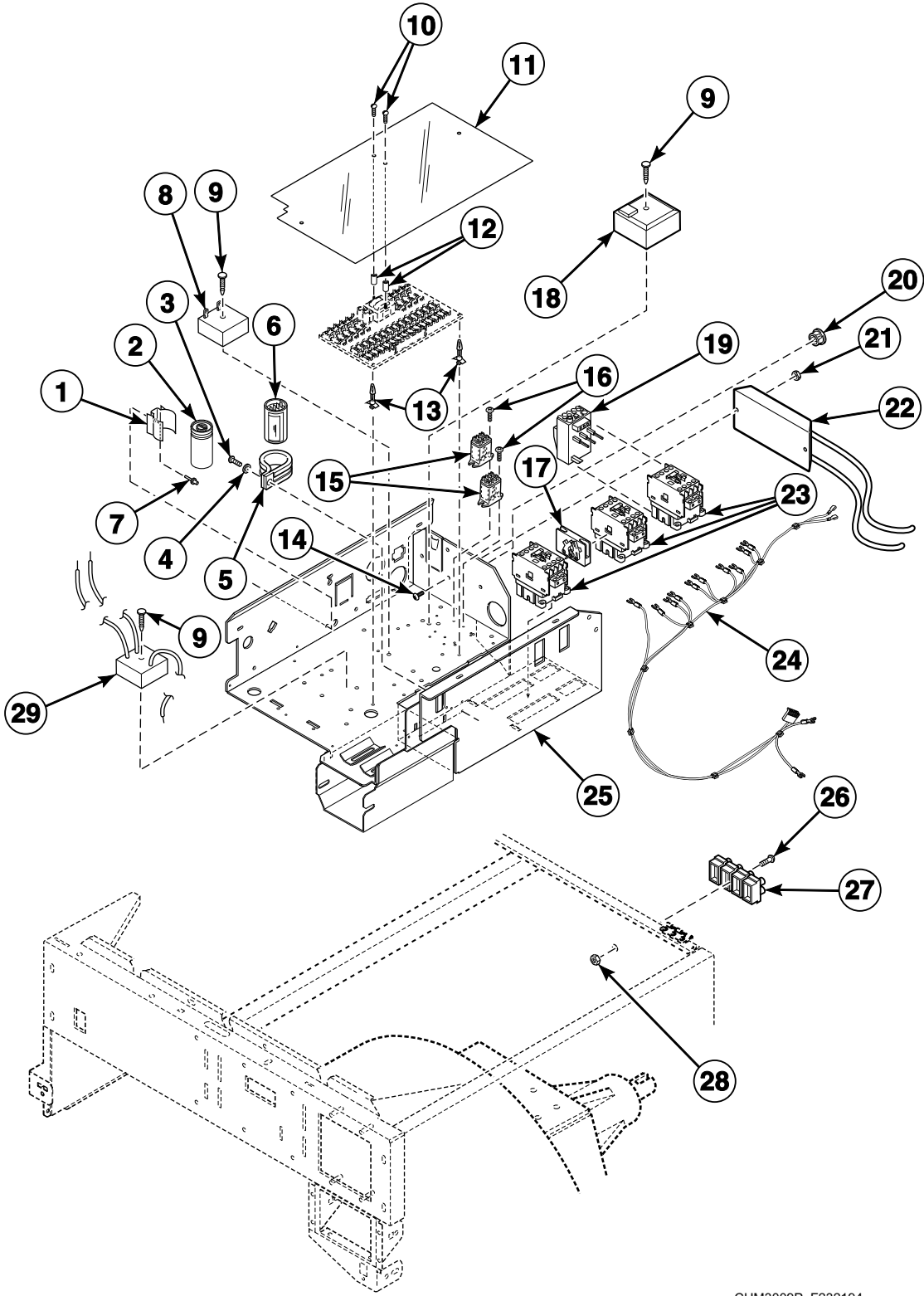
CHM2771P_F232194

AC Drive Box - Variable-Speed and F-Speed Models Through July 14, 2004

REF	PART NO.	DESCRIPTION	COMMENTS
	F0360159-00A	Line Reactor Kit	Use with F370857 Inverter Drive
	F0360160-00P	Line Reactor Kit	Use with F370843 Inverter Drive
	F0360167-00P	Line Reactor Kit	Use with F370844 Inverter Drive
1	F231377	Filter Handle Decal	
2	F633321	Cooling Fan Filter Slide	
3	F140639	Velcro	
4	F0270321-00P	Filter	
5	N/A	AC Drive Cover Sub-Assembly	
6	F430916	Screw	
7	F110110	Muffin Fan	
8	F430231	Nut	
9	F0220922-00	Fan Guard	
10	F200320900	AC Drive Radio Filter Assembly	
11	F370857	Inverter Drive	HC20, HC30, HC40, SC40 and UC40 models; 230 Volt
	F370858	Inverter Drive	HC20, HC30, HC40, SC40 and UC40 models; 460 Volt
	F370843	Inverter Drive	HC60, SC60 and UC60 models; 230 Volt
	F370844	Inverter Drive	HC60, SC60 and UC60 models; 460 Volt
12	F110105	Muffin Fan	
13	F430174	Screw	
14	F8535601	Screw	
15	F431133	Washer	
16	F430232	Nut	
17	F0636888-00	AC Drive Cover Assembly	Includes items 2, 5-9 and 12

N/A = Part no longer available

Control Module - AC, AL, AX, AY, BC, BL, BX and BY Models Starting July 14, 2004

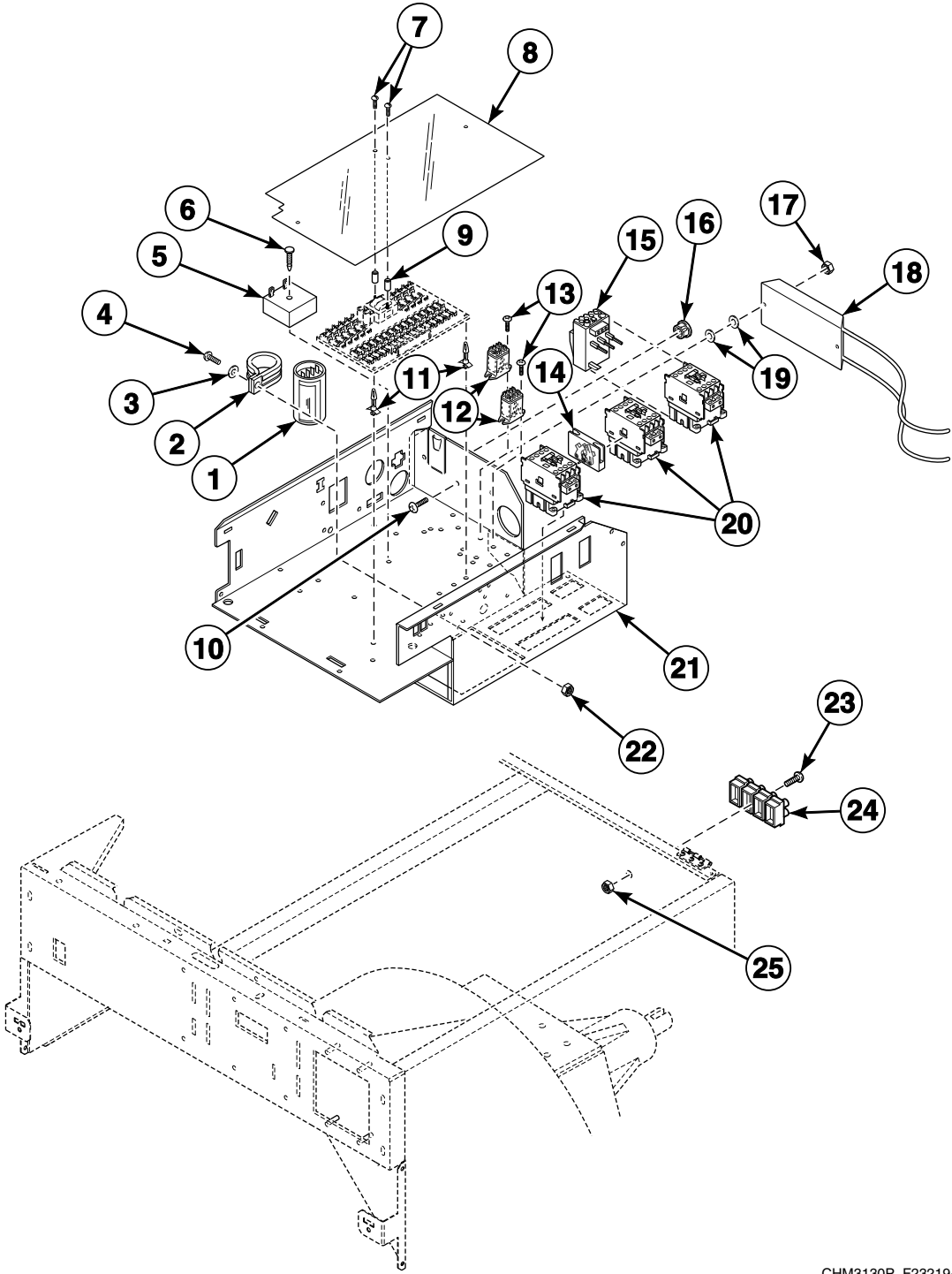


CHM3009P_F232194

Control Module - AC, AL, AX, AY, BC, BL, BX and BY Models Starting July 14, 2004

REF	PART NO.	DESCRIPTION	COMMENTS
	F200189300	IDC Replacement Kit	Models with all voltages and speeds except C-voltage
	F200189301	IDC Replacement Kit	2 and variable-speed models; Only C-voltage
1	F0320211-00	Capacitor Mounting Bracket	
2	F370225P	Capacitor	
3	F430177	Screw	
4	F430311	Washer	
5	F0340722-00	Switch Clamp	
6	F340002	Motor Switch	All 1 Phase models except B-voltage models
7	F431215	Pop Rivet	
8	F0330404-00P	Timer	Models through 8/5/2005
9	F0432316-00	Ratchet Fastener	
10	F431702	Screw	
11	F0170427-00	Output Board Cover	
12	F431806	Nut	
13	F180501	Standoff	
14	F430909	Screw	
15	F330230	Flange Relay	Models through 8/5/2005
16	F0430165-00	Screw	
17	F330186P	Interlock Contactor	
18	F200296100P	Time Delay Assembly	
19	F8344001P	Overload Contactor	DC20, DC30, HC20, HC25, HC30, SC20, SC25 and SC30 models
	F8176101P	Overload Contactor	DC40, HC40, HC50, SC40 and SC50 models with Elmo motors
20	F140909	Insulator Bushing	
21	F431016	Nut	
22	F8080001P	AC Drive Resistor Assembly	HC60 and SC60 variable and F-speed models; 200 Volt
	F8079901P	AC Drive Resistor Assembly	HC60 and SC60 variable and F-speed models; 400 Volt
23	F330177P	Contactor	
24	F063496000	Contactor Harness	
25	F200100101	Module Box Assembly	2 speed models
	F200100103	Module Box Assembly	Variable and F-speed models
26	F430938	Screw	Used with F140748, F140747 and F140746 Input Power Block
	F430903	Screw	Used with F0140795-00, F0140798-00 and F0140799-00 Input Block
27	F140748	Input Power Block	2 terminal
	F140747	Input Power Block	3 terminal
	F140746	Input Power Block	4 terminal
	F0140795-00	Input Block	2 terminal; Models with heat or pump
	F0140798-00P	Input Block	3 terminal; Models with heat or pump
	F0140799-00	Input Block	4 terminal; Models with heat or pump
28	F430231	Nut	Used with F140748, F140747 and F140746 Input Power Block
	F430232	Nut	Used with F0140795-00, F0140798-00 and F0140799-00 Input Block
29	F200025200P	Door Lock Time Delay	

Control Module - AN and BN Models Starting July 15, 2004

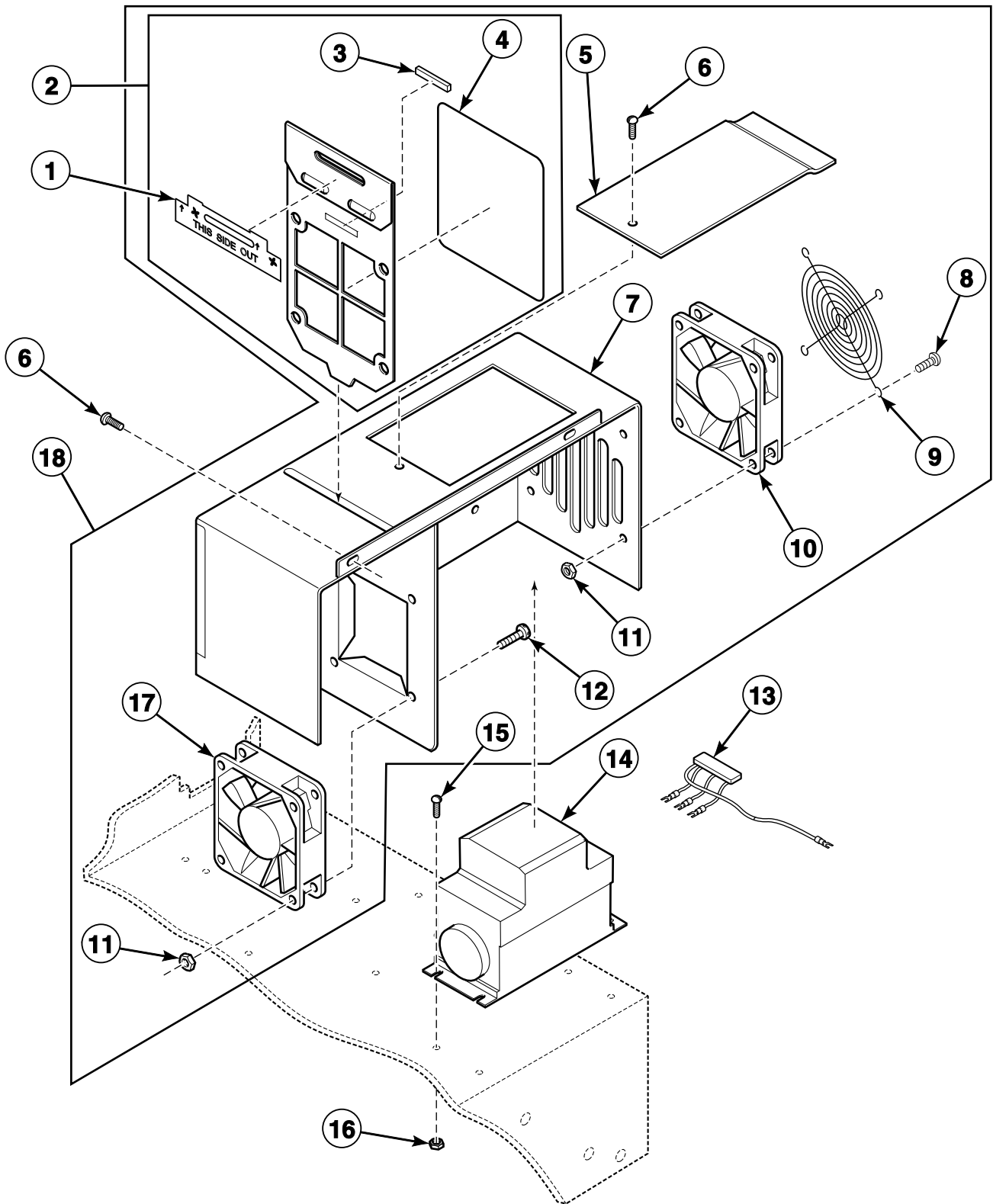


CHM3130P_F232194

Control Module - AN and BN Models Starting July 15, 2004

REF	PART NO.	DESCRIPTION	COMMENTS
	F200189700	IDC Replacement Kit	
	F200189701	IDC Replacement Kit	
1	F340002	Motor Switch	All 1 Phase models except B-voltage models
2	F0340722-00	Switch Clamp	
3	F430311	Washer	
4	F430916	Screw	
5	F0330404-00P	Timer	Models through 2/10/2005
6	F0432316-00	Ratchet Fastener	Models through 2/10/2005
7	F431702	Screw	
8	F0170427-00	Output Board Cover	
9	F431806	Nut	
10	F430909	Screw	
11	F180501	Standoff	
12	F330230	Flange Relay	Models through 2/10/2005
13	F0430165-00	Screw	Models through 2/10/2005
14	F330186P	Interlock Contactor	
15	F8344001P	Overload Contactor	HC20, HC30, SC20, SC30, UC20 and UC30 models
	F8176101P	Overload Contactor	HC40, HC50, SC40, SC50, UC40 and UC50 models; Models with Elmo motors
16	F140909	Insulator Bushing	
17	F431016	Nut	
18	F8080001P	AC Drive Resistor Assembly	HC60, SC60 and UC60 variable and F-speed models; 200 Volt
	F8079901P	AC Drive Resistor Assembly	HC60, SC60 and UC60 variable and F-speed models; 400 Volt
19	F8195301	Washer	
20	F330177P	Contactor	
21	F200100100	Module Box Assembly	2 speed models
	F200100102	Module Box Assembly	Variable and F-speed models
22	F430231	Nut	
23	F430903	Screw	
24	F0140795-00	Input Block	2 terminal
	F0140798-00P	Input Block	3 terminal
	F0140799-00	Input Block	4 terminal
25	F430232	Nut	

AC Drive Box - 30, 40, 60 Pound HC, SC and UC Variable and F-Speed Models Starting July 15, 2004

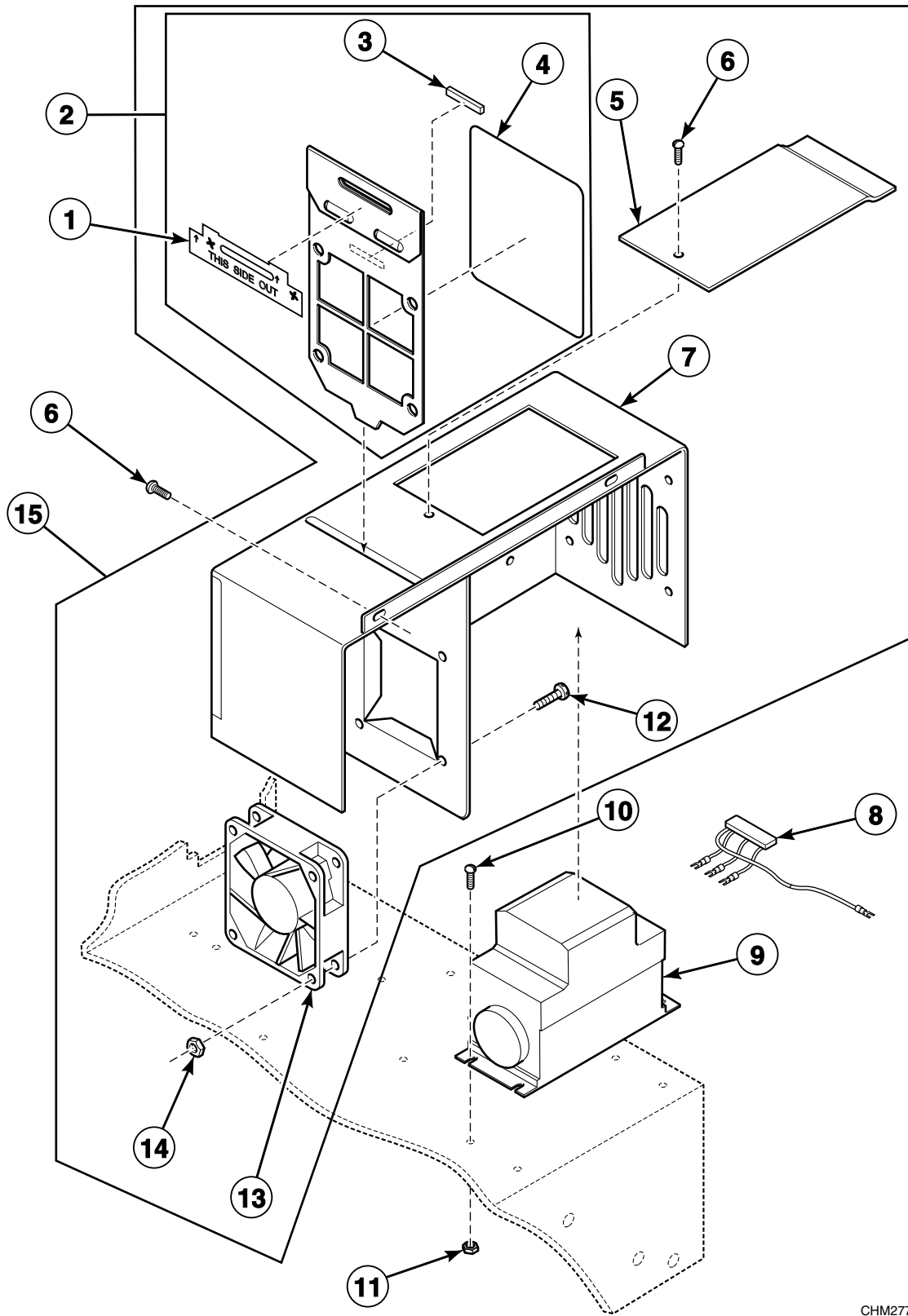


CHM2772P_F232194

AC Drive Box - 30, 40, 60 Pound HC, SC and UC Variable and F-Speed Models Starting July 15, 2004

REF	PART NO.	DESCRIPTION	COMMENTS
	F0360159-00A	Line Reactor Kit	Use with F370857 Inverter Drive
	F0360160-00P	Line Reactor Kit	Use with F370843 Inverter Drive
	F0360167-00P	Line Reactor Kit	Use with F370844 Inverter Drive
1	F231377	Filter Handle Decal	
2	F8026401P	Air Filter Assembly	Includes items 1, 3 and 4
3	F140639	Velcro	
4	F0270321-00P	Filter	
5	F200181500	Display Window Cover	
6	F430174	Screw	
7	F200100201	AC Drive Cover Assembly	
8	F430922	Screw	
9	F0220922-00	Fan Guard	
10	F110110	Muffin Fan	
11	F430231	Nut	
12	F430916	Screw	
13	F200320900	AC Drive Radio Filter Assembly	
14	F370857	Inverter Drive	HC30, SC30, HC40, SC40 and UC40 models; 230 Volt
	F370858	Inverter Drive	HC40, SC40 and UC40 models; 460 Volt
	F370843	Inverter Drive	HC60, SC60 and UC60 models; 230 Volt
	F370844	Inverter Drive	HC60, SC60 and UC60 models; 460 Volt
15	F8535601	Screw	
16	F430232	Nut	
17	F110105	Muffin Fan	
18	F200146800P	AC Drive Cover Assembly	Includes items 2, 5-12 and 17

AC Drive Box - HC20 Variable-Speed Models Starting July 15, 2004



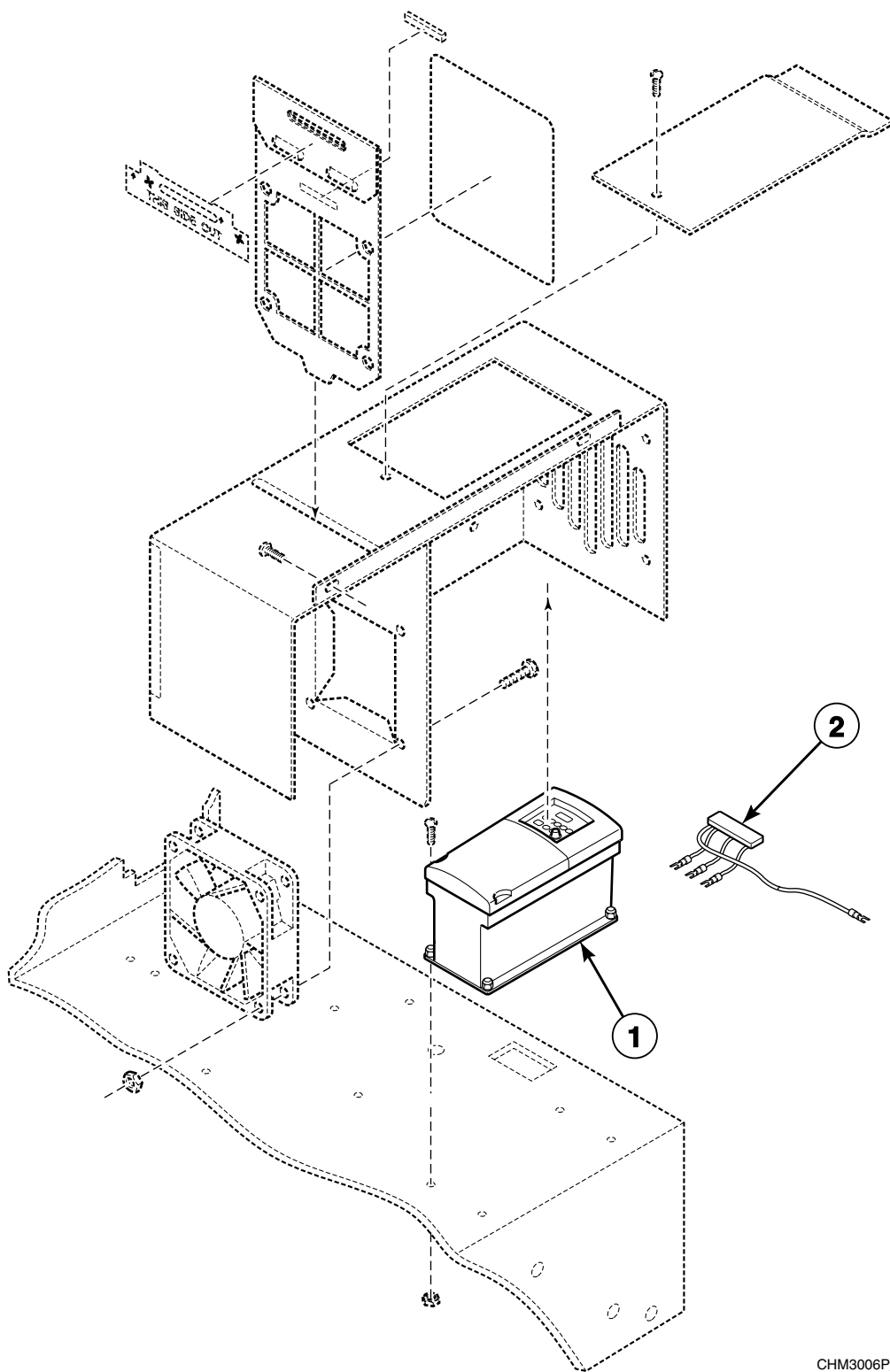
CHM2773P_F232194

AC Drive Box - HC20 Variable-Speed Models Starting July 15, 2004

REF	PART NO.	DESCRIPTION	COMMENTS
	F0360159-00A	Line Reactor Kit	Use with F370857 Inverter Drive
1	F231377	Filter Handle Decal	
2	F8026401P	Air Filter Assembly	Includes items 1, 3 and 4
3	F140639	Velcro	
4	F0270321-00P	Filter	
5	F200181500	Display Window Cover	
6	F430174	Screw	
7	F200100201	AC Drive Cover Assembly	
8	F200320900	AC Drive Radio Filter Assembly	
9	F370857	Inverter Drive	230 Volt
	F370858	Inverter Drive	460 Volt
10	F8535601	Screw	
11	F430232	Nut	
12	F430916	Screw	
13	F110105	Muffin Fan	
14	F430231	Nut	
15	F200146801	AC Drive Cover Assembly	Includes items 2, 5-7 and 12-14

AC Drive

F-Speed and V-Speed Models

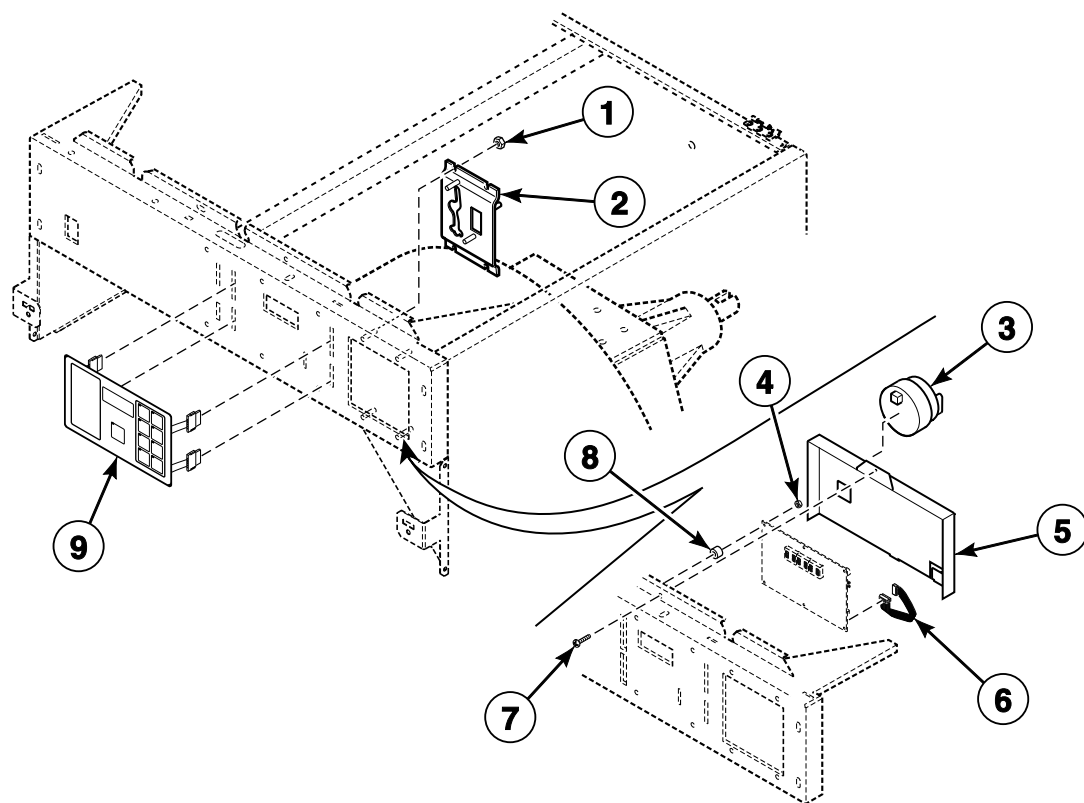


CHM3006P_F232194

AC Drive

REF	PART NO.	DESCRIPTION	COMMENTS
	F8172202	160-Series to PowerFlex 40 Drive Kit	HC20 and SC20 vended models; Models with 160-series drive; A-control, Q-voltage; Includes F8169419 AC Drive
	F8172302	160-Series to PowerFlex 40 Drive Kit	HC30 and SC30 vended models; Models with 160-series drive and manufactured with CV112 Elmo Motor; A-control, Q-voltage; Includes F8169420 AC Drive
	F8172303	160-Series to PowerFlex 40 Drive Kit	HC30 and SC30 vended models; Models with 160-series drive and manufactured with 163.000.354 Hanning Motor; A-control, Q and X-voltage; Includes F8169446 AC Drive
	F8172405	160-Series to PowerFlex 40 Drive Kit	HC40 and SC40 vended models; Models with 160-series drive; A and B-control, Q and X-voltage; Includes F8169421 AC Drive
	F8172407	160-Series to PowerFlex 40 Drive Kit	SC40 and UC40 OPL models; Models with 160-series drive; A and B-control, Q and X-voltage; Includes F8169422 AC Drive
	F8172503	160-Series to PowerFlex 40 Drive Kit	SC40 and UC40 OPL models; Models with 160-series drive; A and B-control, N and P-voltage; Includes F8169423 AC Drive
	F8172606	160-Series to PowerFlex 40 Drive Kit	HC60 and SC60 F-speed vended models; Models with 160-series drive; A and B-control, X-voltage; Includes F8169424 AC Drive
	F8172607	160-Series to PowerFlex 40 Drive Kit	HC60 and SC60 vended models; Models with 160-series drive; A and B-control, Q and X-voltage; Includes F8169425 AC Drive
	F8172609	160-Series to PowerFlex 40 Drive Kit	HC60, SC60 and UC60 OPL models; Models with 160-series drive; A and B-control, Q and X-voltage; Includes F8169426 AC Drive
	F8172703	160-Series to PowerFlex 40 Drive Kit	HC60, SC60 and UC60 OPL models; Models with 160-series drive; A and B-control, N and P-voltage; Includes F8169427 AC Drive
1	F8169419	PowerFlex 40 Drive	HC20 and SC20 vended models; Models that have been retrofitted with F8172202 160-series to PowerFlex 40 Drive Kit; A-control; Q-voltage
	F8169420	PowerFlex 40 Drive	HC30 and SC30 vended models; Models that have been retrofitted with F8172302 160-series to PowerFlex 40 Drive Kit; A-control; Q-voltage
	F8169446	PowerFlex 40 Drive	HC30 and SC30 vended models; Models that have been retrofitted with F8172303 160-series to PowerFlex 40 Drive Kit; A-control; Q and X-voltage
	F8169421	PowerFlex 40 Drive	HC40 and SC40 vended models; Models that have been retrofitted with F8172405 160-series to PowerFlex 40 Drive Kit; A and B-control; Q and X-voltage
	F8169422	PowerFlex 40 Drive	SC40 and UC40 OPL models; Models that have been retrofitted with F8172407 160-series to PowerFlex 40 Drive Kit; A and B-control; Q and X-voltage
	F8169423	PowerFlex 40 Drive	SC40 and UC40 OPL models; Models that have been retrofitted with F8172503 160-series to PowerFlex 40 Drive Kit; A and B-control; N and P-voltage
	F8169424	PowerFlex 40 Drive	HC60 and SC60 F-speed vended models; Models that have been retrofitted with F8172606 160-series to PowerFlex 40 Drive Kit; A and B-control; X-voltage
	F8169425	PowerFlex 40 Drive	HC60 and SC60 vended models; Models that have been retrofitted with F8172607 160-series to PowerFlex 40 Drive Kit; A and B-control; Q and X-voltage
	F8169426	PowerFlex 40 Drive	HC60, SC60 and UC60 OPL models; Models that have been retrofitted with F8172609 160-series to PowerFlex 40 Drive Kit; A and B-control; Q and X-voltage
	F8169427	PowerFlex 40 Drive	HC60, SC60 and UC60 OPL models; Models that have been retrofitted with F8172703 160-series to PowerFlex 40 Drive Kit; A and B-control; N and P-voltage
2	F200320900	AC Drive Radio Filter Assembly	

Coin Meter Mounting Assembly, Water Level Switch and Keypad



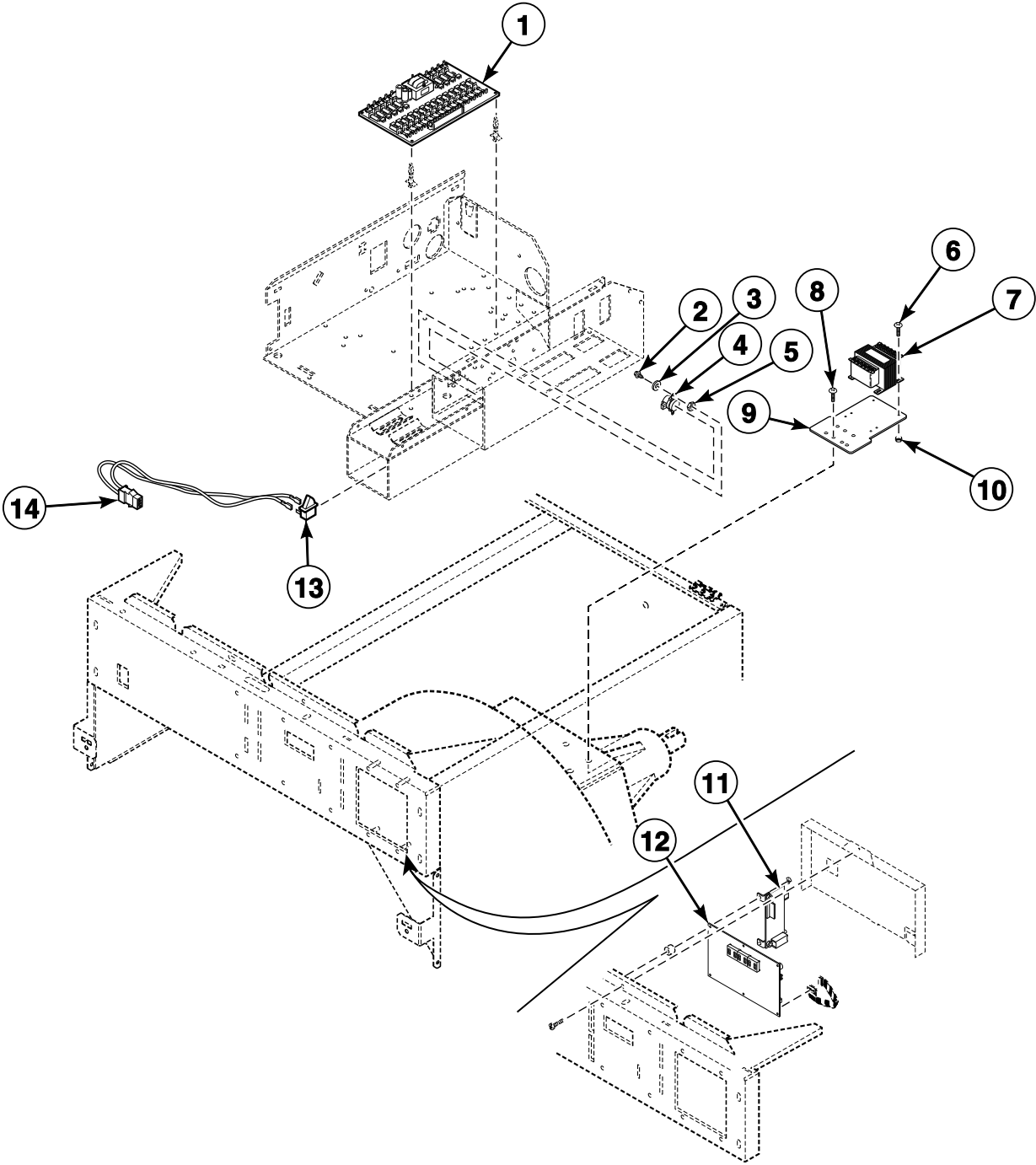
CHM2404P_F232194

Coin Meter Mounting Assembly, Water Level Switch and Keypad

REF	PART NO.	DESCRIPTION	COMMENTS
	F200040300P	Communication Box Kit	HCAC, HCAL, HCAX and HCAY models; US models
	F200041700P	Communication Box Kit	HCAC, HCAL, HCAX and HCAY models; International models
	F200041800P	Communication Box Kit	SCAC, SCAL, SCAN, SCAX and SCAY models; International models
	F200098500P	Communication Box Kit	HCBC, HCBL, HCBN, HCBX and HCBY models; US models
	F200098600P	Communication Box Kit	SCBC, SCBL, SCBN, SCBX and SCBY models; US models
	F200098700P	Communication Box Kit	SCBC, SCBL, SCBN, SCBX and SCBY models; International models
1	685846	Nut	AC, AX, BC and BX models
	F431017	Nut	AY and BY models
2	F0636707-00	Mounting Bracket Assembly	Single drop; AC, AX, BC and BX models; BN models with an on/off switch
	F635319	Mounting Bracket Assembly	Dual drop; AC, AX, BC and BX models
	F0636445-00	Coin Meter Mounting Kit	Single drop; AC, AX, BC and BX models; Includes item 1
	F0636445-01	Coin Meter Mounting Assembly	Dual drop; AC, AX, BC and BX models; Includes item 1
	F0636445-02	On/Off Switch Assembly	AN and BN models; Includes item 1 and the on/off switch
	F635320	Mounting Bracket Assembly	AY and BY models
3	F0340343-10P	Water Level Switch	DC20, DC30, HC20, HC25, HC30, SC20, SC25, SC30, UC20 and UC30 models
	F8134602P	Pressure Switch	DC40, HC40, SC40 and UC40 models
	F0340345-10P	Water Level Switch	DC60, HC50, HC60, SC50, SC60, UC50 and UC60 models
	F8223001P	Water Pressure Switch	Heat safety
4	F430231	Nut	
5	F0634903-00	Control Cover	
6	F140219P	Ribbon Cable	Connects the computer to the Output Board CCA
7	F430928	Screw	
8	N/A	Standoff	
9	F0231582-03P	Keypad	SCBC, SCBL, SCBX and SCBY models; English
	F0231582-06P	Keypad	SCBC, SCBL, SCBX and SCBY models; Icon
	F0231582-07P	Keypad	HCBC, HCBL, HCBX and HCBY models; English
	F0231582-01P	Keypad	SCBN and UCBN models; English
	F0231582-05P	Keypad	SCBN and UCBN models; Icon
	F0231582-08P	Keypad	HCBN models; English
	F8132501P	Keypad	DCAC, SCAC, SCAL, SCAX and SCAY models; English
	F0231582-16P	Keypad	DCAC, SCAC, SCAL, SCAX and SCAY models; Icon
	F0231582-17P	Keypad	HCAC, HCAL, HCAX and HCAY models; English
	F0231582-19	Keypad	HCAC, HCAL, HCAX and HCAY models; Icon
	F023158231P	Keypad	SCAN and UCAN models; Icon

N/A = Part no longer available

Output Board CCA, Computer, Interface CCA and Thermostat



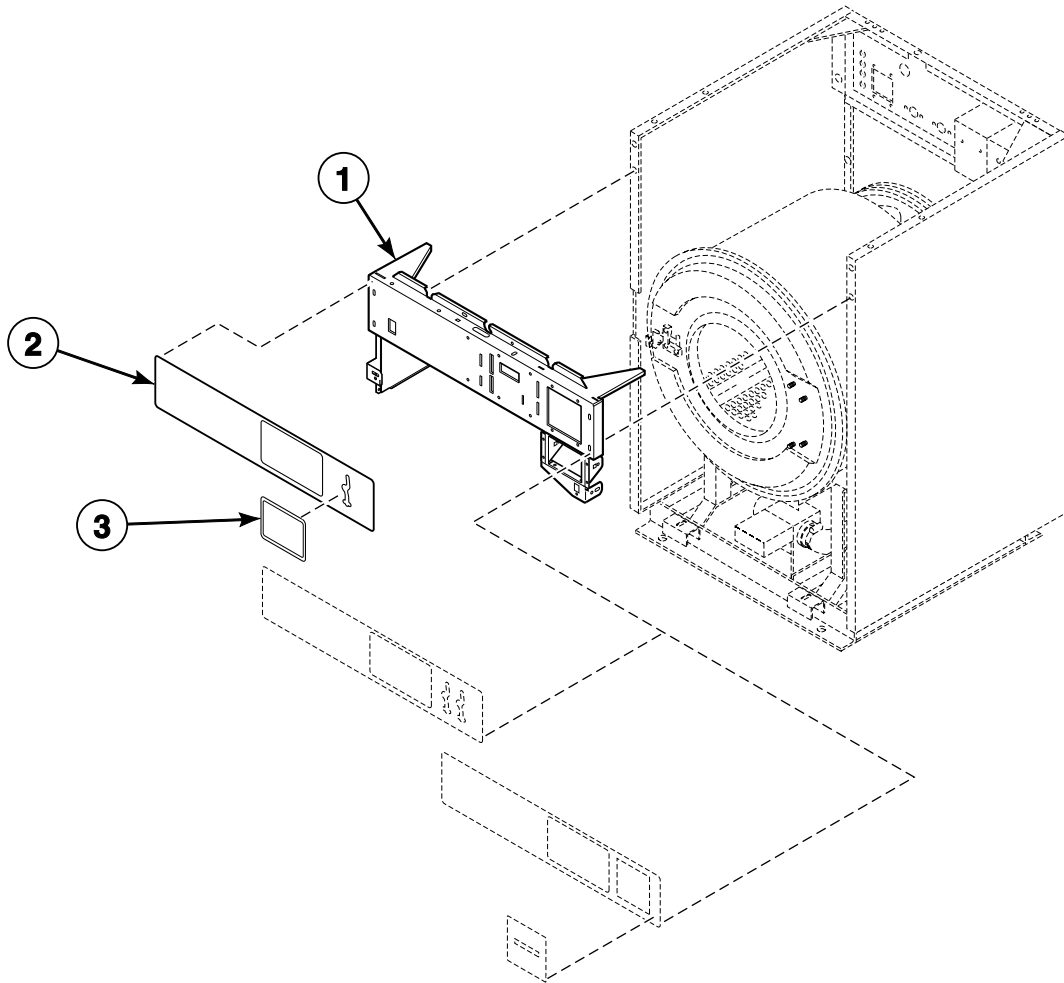
CHM2711P_F232194

Output Board CCA, Computer, Interface CCA and Thermostat

REF	PART NO.	DESCRIPTION	COMMENTS
	F200296000P	Computer and Door Lock Harness	
	F200295900	Main Harness	
1	F037044860-1	Output CCA	All models
	F350108	Fuse	1/8 Amp; 125 mA
	F350109	Fuse	1/2 Amp
	F350110	Fuse	1 Amp
	F350145	Fuse	1.6 Amp
	2090046800	Fuse	3 Amp
2	F430928	Screw	Variable and F-speed models
3	F431113	Washer	Variable and F-speed models
4	F0290116-00	Thermostat	Variable and F-speed models
5	F431022	Nut	Variable and F-speed models
6	F430108	Screw	
7	F360117P	Transformer	B-voltage
	F360156P	Transformer	F and H-voltage
	F350125	Fuse	1 Amp
8	F430107	Screw	
9	F200167700	Transformer Mounting Bracket	
10	F430215	Nut	
11	F200017400P	Interface CCA	AY models
	F200209200	Interface CCA	AC, AL, AX, BC, BL, BX and BY models
12	F0370455-00P	Computer	BC, BL, BX and BY 2 speed models
	F0370455-40P	Computer	BC, BL, BX and BY 2 speed models; Models with the pump drain option
	F0370455-01P	Computer	BC, BL, BX and BY 2 speed models; Models with heat
	F0370455-41P	Computer	BC, BL, BX and BY 2 speed models; Models with heat and the pump drain option
	F0370455-10P	Computer	BC, BL, BX and BY F-speed models
	F0370455-20P	Computer	BN 2 speed models
	F0370455-60P	Computer	BN 2 speed models; Models with the pump drain option
	F0370452-21P	Computer	BN 2 speed models; Models with heat
	N/A	Computer	BN 2 speed models; Models with heat and pump drain option
	F0370452-30P	Computer	BN F-speed models
	F0370452-31P	Computer	BN F-speed models; Models with heat
	F037046500P	Computer	AC, AL and AX 2 speed models
	F037046501P	Computer	AC, AL and AX 2 speed models; Models with heat
	F037046530P	Computer	AC, AL and AX variable and F-speed models
	F037046580P	Computer	AY 2 speed models
	F037046592P	Computer	AY F-speed models
	F037047520P	Computer	AN 2 speed models
	F037047530P	Computer	AN variable-speed models
	F037046532P	Computer	AY variable-speed models
13	F340435	Momentary Switch	AC and AX models
14	F200137700P	Coin Box Audit Harness	AC and AX models

N/A = Part no longer available

Control Panel Assembly and Control Panel Decals - All Models Except AN and BN Models (Drawing 1 of 2)

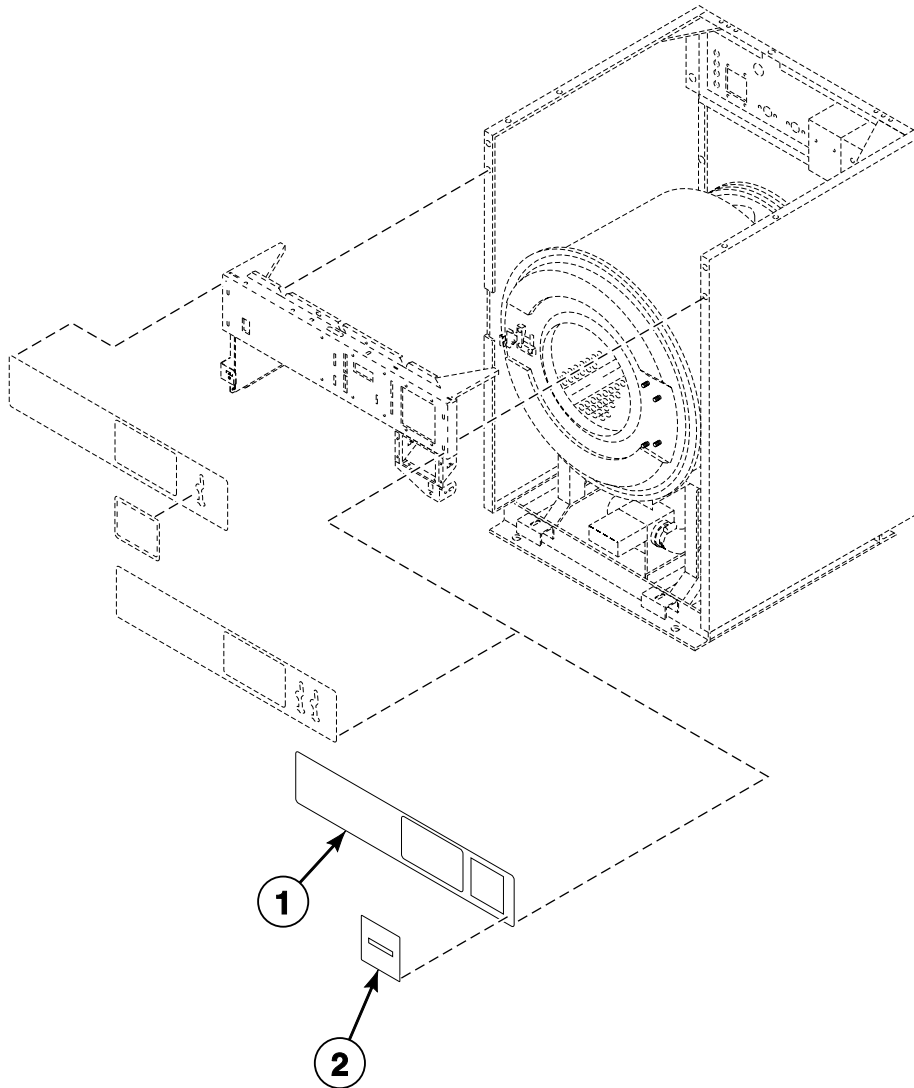


CHM2510P_F232194

Control Panel Assembly and Control Panel Decals - All Models Except AN and BN Models (Drawing 1 of 2)

REF	PART NO.	DESCRIPTION	COMMENTS
1	F0634889-00	Control Panel Assembly	DC20, HC20, HC25, SC20 and SC25 models
	F0636522-00	Control Panel Assembly	DC30, HC30 and SC30 models
	F0636590-00	Control Panel Assembly	DC40, HC40 and SC40 models
	F0635838-00	Control Panel Assembly	DC60, HC50, HC60, SC50 and SC60 models
2	F0231606-11	Control Panel Decal	Models DC20AC2, SC20AC2, SC20ACV, SC20AL2, SC20AX2, SC20BC2, SC20BL2, SC20BX2, SC25AC2, SC25AL2, SC25AX2, SC25BC2, SC25BL2 and SC25BX2; Single coin drop
	F0231606-21	Control Panel Decal	Models DC30AC2, SC30AC2, SC30ACV, SC30AL2, SC30AX2, SC30BC2, SC30BL2 and SC30BX2; Single coin drop
	F0231606-31	Control Panel Decal	Models DC40AC2, SC40AC2, SC40ACV, SC40AL2, SC40AX2, SC40BC2, SC40BL2 and SC40BX2; Single coin drop
	F200018141	Control Panel Decal	Models DC60AC2, SC50BC2, SC50BL2, SC50BX2, SC60AC2, SC60ACF, SC60ACV, SC60AL2, SC60ALF, SC60AX2, SC60AXF, SC60BC2, SC60BCF, SC60BL2, SC60BLF, SC60BX2 and SC60BXF; Single coin drop
	F0231589-11	Control Panel Decal	Models HC20AC2, HC20AL2, HC20AX2, HC20AYV, HC20BC2, HC20BL2, HC20BX2, HC25AC2, HC25AL2, HC25AX2, HC25BC2, HC25BL2 and HC25BX2; Single coin drop
	F0231589-21	Control Panel Decal	Models HC30AC2, HC30AL2, HC30AX2, HC30AYV, HC30BC2, HC30BL2 and HC30BX2; Single coin drop
	F0231589-31	Control Panel Decal	Models HC40AC2, HC40AL2, HC40AX2, HC40AYV, HC40BC2, HC40BL2 and HC40BX2; Single coin drop
	F0231589-41	Control Panel Decal	Models HC50BC2, HC50BL2, HC50BX2, HC60AC2, HC60ACF, HC60AYV, HC60BC2, HC60BCF, HC60BX2, HC60BXF, SC60AL2, SC60ALF, SC60AX2 and SC60AXF; Single coin drop
	3	70246301	Coin Cover Overlay

Control Panel Assembly and Control Panel Decals - All Models Except AN and BN Models (Drawing 2 of 2)

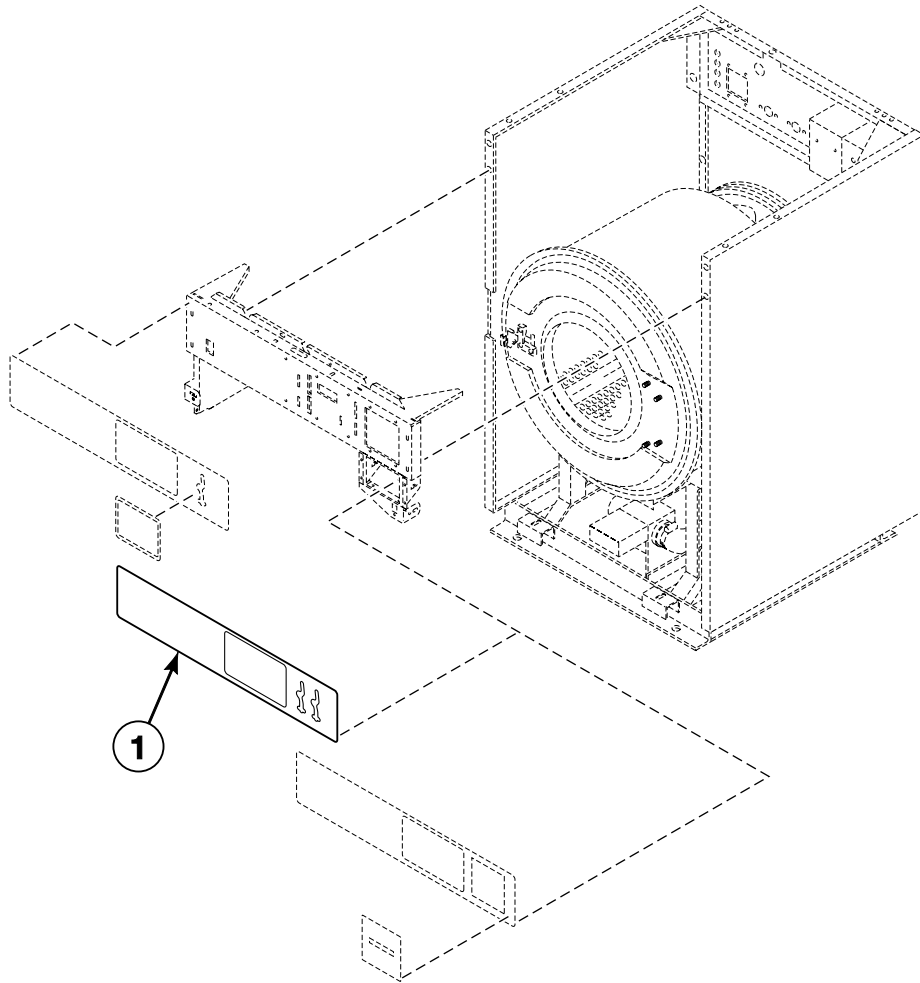


CHM2455P_F232194

Control Panel Assembly and Control Panel Decals - All Models Except AN and BN Models (Drawing 2 of 2)

REF	PART NO.	DESCRIPTION	COMMENTS
1	F023161214	Control Panel Decal	Models SC20AY2, SC20AYV and SC25AY2
	F0231606-13	Control Panel Decal	Models SC20BY2 and SC25BY2
	F023161224	Control Panel Decal	Models SC30AY2 and SC30AYV
	F0231606-23	Control Panel Decal	Model SC30BY2
	F023161234	Control Panel Decal	Models SC40AY2 and SC40AYV
	F0231606-33	Control Panel Decal	Model SC40BY2
	F200018143	Control Panel Decal	Models SC50BY2 and SC60BY2
	F200018244	Control Panel Decal	Models SC60AY2, SC60AYF and SC60AYV
	F023158914	Control Panel Decal	Models HC20AY2, HC20AYV and HC25AY2
	F0231589-13	Control Panel Decal	Models HC20BY2 and HC25BY2
	F200047423	Control Panel Decal	Model HC30BY2
	F023158924	Control Panel Decal	Model HC30AY2
	F0231589-33	Control Panel Decal	Model HC40BY2
	F023158934	Control Panel Decal	Model HC40AY2
	F0231589-43	Control Panel Decal	Models HC50BY2, HC60BY2 and HC60BYF
	F023158944	Control Panel Decal	Models HC60AY2 and HC60AYF
2	F200116200	Overlay Decal	HCAY models
	F200116201	Overlay Decal	SCAY models

Control Panel Assembly and Control Panel Decals - All Models Except AN, AY, BN and BY Models

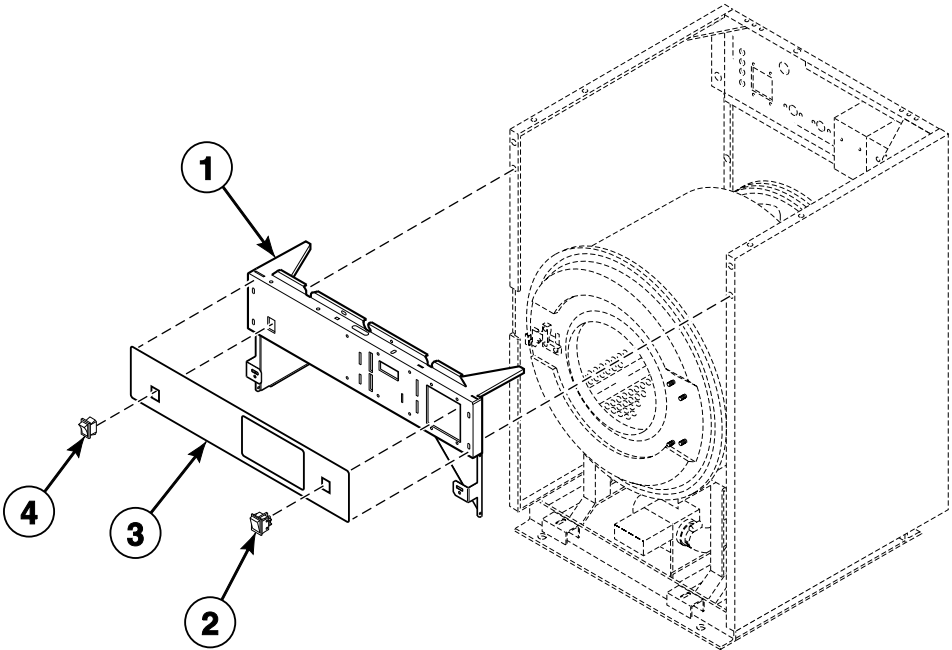


CHM2511P_F232194

Control Panel Assembly and Control Panel Decals - All Models Except AN, AY, BN and BY Models

REF	PART NO.	DESCRIPTION	COMMENTS
1	F0231606-12	Control Panel Decal	Models DC20AC2, SC20AC2, SC20ACV, SC20AX2, SC20BC2, SC20BX2, SC25AC2, SC25AX2, SC25BC2 and SC25BX2; Dual coin drop
	F0231606-22	Control Panel Decal	Models DC30AC2, SC30AC2, SC30ACV, SC30AX2, SC30BC2 and SC30BX2; Dual coin drop
	F0231606-32	Control Panel Decal	Models DC40AC2, SC40AC2, SC40ACV, SC40AX2, SC40BC2 and SC40BX2; Dual coin drop
	F200018142	Control Panel Decal	Models DC60AC2, SC50BC2, SC50BX2, SC60AC2, SC60ACF, SC60ACV, SC60AX2, SC60AXF, SC60BC2, SC60BCF, SC60BX2 and SC60BXF; Dual coin drop
	F0231589-12	Control Panel Decal	Models HC20AC2, HC20AX2, HC20BC2, HC20BX2, HC25AC2, HC25AX2, HC25BC2 and HC25BX2; Dual coin drop
	F0231589-22	Control Panel Decal	Models HC30AC2, HC30AX2, HC30BC2 and HC30BX2; Dual coin drop
	F0231589-32	Control Panel Decal	Models HC40AC2, HC40AX2, HC40BC2 and HC40BX2; Dual coin drop
	F0231589-42	Control Panel Decal	Models HC50BC2, HC50BX2, HC60AC2, HC60ACF, HC60AX2, HC60AXF, HC60BC2, HC60BCF, HC60BX2 and HC60BXF; Dual coin drop

Control Panel Assembly, Controls and Control Panel Decals - AN and BN Models

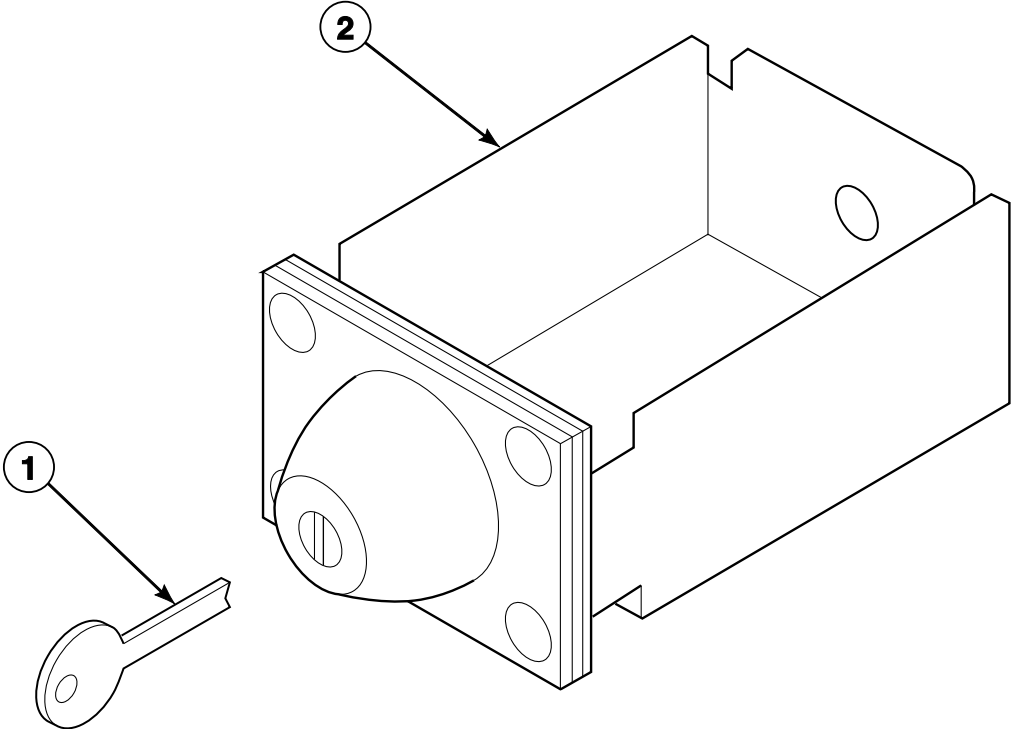


CHM2552P_F232194

Control Panel Assembly, Controls and Control Panel Decals - AN and BN Models

REF	PART NO.	DESCRIPTION	COMMENTS
1	F0634889-01	Control Panel Assembly	Models HC20BN2, SC20AN2, SC20BN2, UC20AN2 and UC20BN2
	F0636522-01	Control Panel Assembly	Models HC30BN2, SC30AN2, SC30BN2, UC30AN2 and UC30BN2
	F0636590-01	Control Panel Assembly	Models HC40BN2, SC40AN2, SC40ANV, SC40BN2, UC40AN2, UC40ANV and UC40BN2
	F0635838-01	Control Panel Assembly	HC50, HC60, SC50, SC60, UC50 and UC60 models
2	F340411	Rocker Switch	Red
3	F0231616-11	Control Panel Decal	Models SC20AN2 and SC20BN2
	F0231616-21	Control Panel Decal	Models SC30AN2 and SC30BN2
	F0231616-31	Control Panel Decal	Models SC40AN2, SC40ANV and SC40BN2
	F0231616-41	Control Panel Decal	Models SC50BN2, SC60AN2, SC60ANF, SC60ANV, SC60BN2 and SC60BNF
	F0231613-11	Control Panel Decal	Models UC20AN2 and UC20BN2
	F0231613-21	Control Panel Decal	Models UC30AN2 and UC30BN2
	F0231613-31	Control Panel Decal	Models UC40AN2, UC40ANV and UC40BN2
	F0231613-41	Control Panel Decal	Models UC50BN2, UC60AN2, UC60ANF, UC60ANV, UC60BN2 and UC60BNF
	F0231593-11	Control Panel Decal	Model HC20BN2
	F0231593-21	Control Panel Decal	Model HC30BN2
	F0231593-31	Control Panel Decal	Model HC40BN2
	F0231593-41	Control Panel Decal	Models HC50BN2, HC60BN2 and HC60BNF
4	F200120100	Momentary Switch	Models starting 5/27/2004
	F340412	Momentary Switch	Models through 5/26/2004

Optional Coin Box



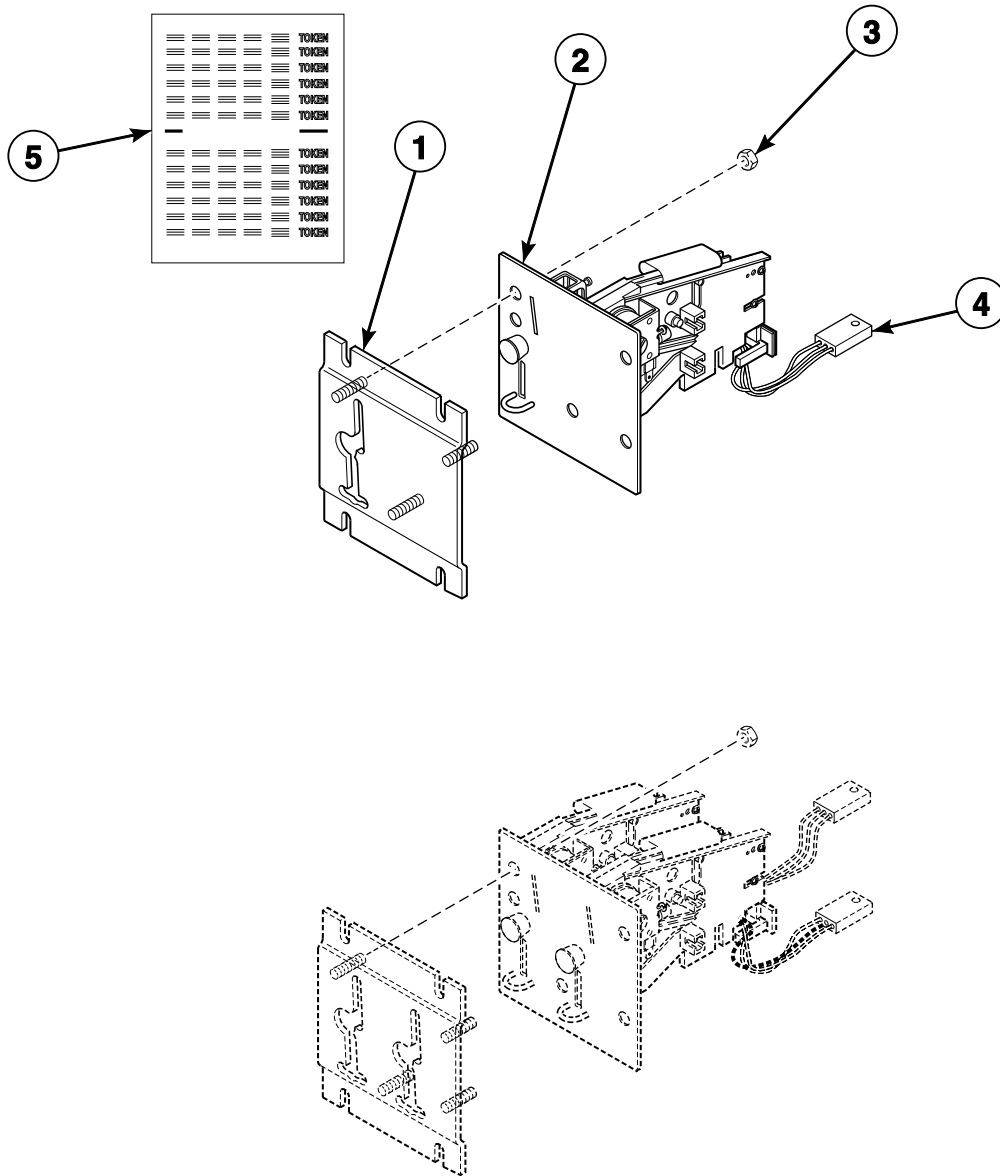
CHM1764P_F232194

Optional Coin Box

REF	PART NO.	DESCRIPTION	COMMENTS
1	F160420	Key	UG21
	F160421	Key	UG22
	N/A	Key	UG23
	F160423	Key	UG24
	N/A	Key	UG25
2	F160672	Coin Box	UG21
	F160673P	Coin Box	UG22
	N/A	Coin Box	UG23
	N/A	Coin Box	UG24
	N/A	Coin Box	UG25

N/A = Part no longer available

Flush Mount Coin Meter Assembly - Single Drop AC, AX, BC, and BX Models



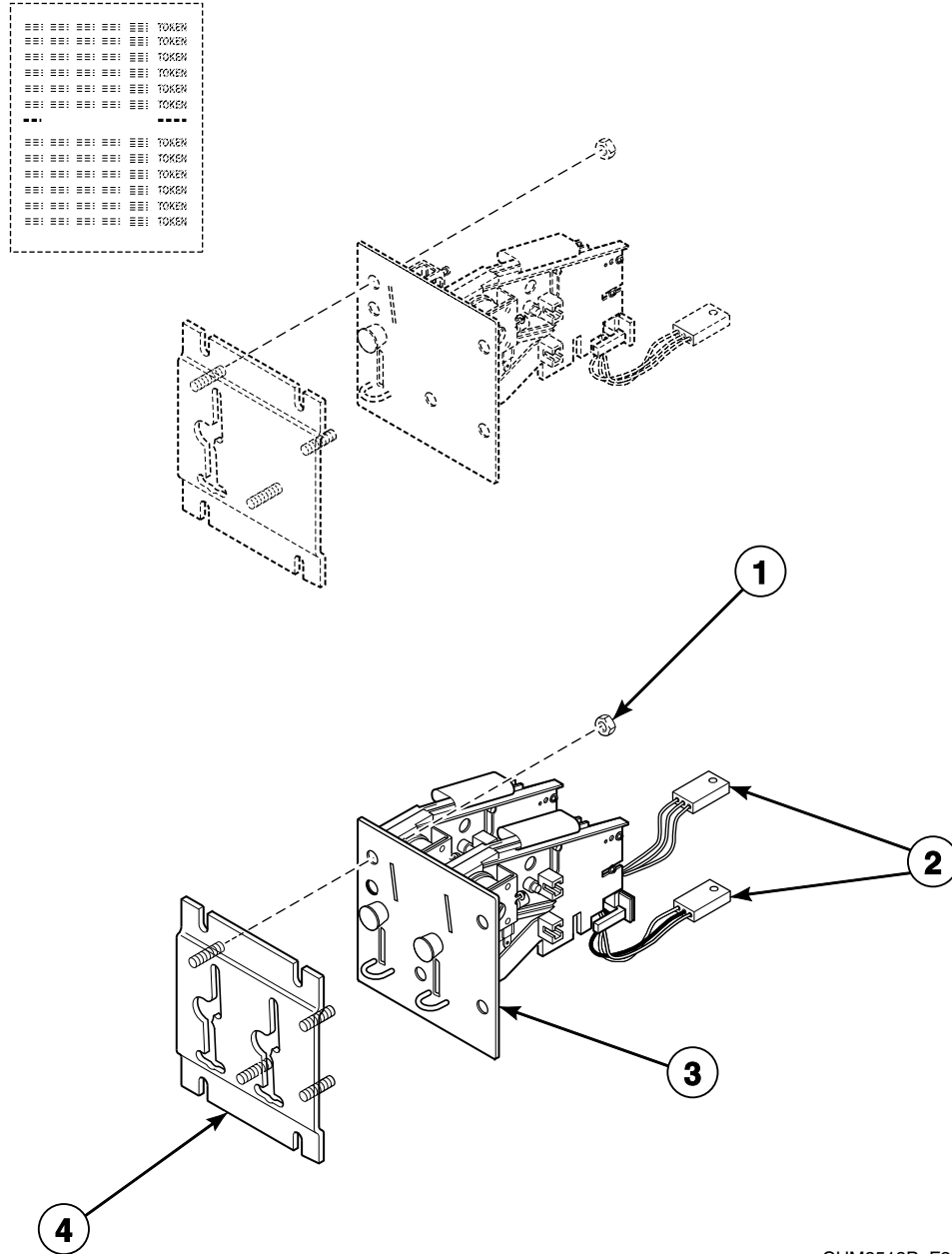
CHM2512P_F232194

Flush Mount Coin Meter Assembly - Single Drop AC, AX, BC, and BX Models

REF	PART NO.	DESCRIPTION	COMMENTS
	F200010000P	Coin Meter Assembly	U.S. \$.25; Includes items 1-3
	F200010006	Coin Meter Assembly	.800 token; Includes items 1-3
	F200010007	Coin Meter Assembly	.880 token; Includes items 1-3
	F200010009	Coin Meter Assembly	.990 token; Includes items 1-3
	F200010011	Coin Meter Assembly	Jeton WH121 token; Includes items 1-3
	F200010012	Coin Meter Assembly	Jeton .08 token; Includes items 1-3
1	F0636707-00	Mounting Bracket Assembly	
2	38464P	Coin Drop Assembly	Canada .25
	N/A	Coin Drop Assembly	Australia .20
	N/A	Coin Drop Assembly	Belgium 5 franc
	N/A	Coin Drop Assembly	Denmark 2 krone
	N/A	Coin Drop Assembly	United Kingdom 20 pence
	N/A	Coin Drop Assembly	France 2 franc
	N/A	Coin Drop Assembly	Hong Kong 5 dollar
	N/A	Coin Drop Assembly	Italy 500 lirraiget
	38475	Coin Drop Assembly	Japan 100 yen
	38480	Coin Drop Assembly	Korea 500 won
	N/A	Coin Drop Assembly	South Africa 2 rand
	N/A	Coin Drop Assembly	Spain 100 peseta
	N/A	Coin Drop Assembly	Thailand 10 baht
	N/A	Coin Drop Assembly	.886 token
	N/A	Coin Drop Assembly	1.000 token
	CK097	Coin Drop Kit	Token; Jeton 08 MS; Grooves on the token face
	70441601P	Coin Drop	U.S. \$.25
	38963P	Coin Drop	.800 token; Replacement for 38963P Coin Drop only; Token STD-118-16 not available
	38462P	Coin Drop Assembly	Token; 118-1; .880 diameter x .079 thick; Brass
	38463	Coin Drop Assembly	Token; 118-5; .990 diameter x .081 thick; Silver
	201141	Coin Drop Assembly	Token; Jeton WH121; Grooves on the token face
	N/A	Coin Meter	Jeton .08 token
	CK077	Coin Drop Kit	10 Taiwan dollar
3	685846	Nut	
4	200674P	Opto Coupler	
5	38725	Coin Identification Paper	

N/A = Part no longer available

Flush Mount Coin Meter Assembly - Dual Drop AC, AX, BC and BX Models



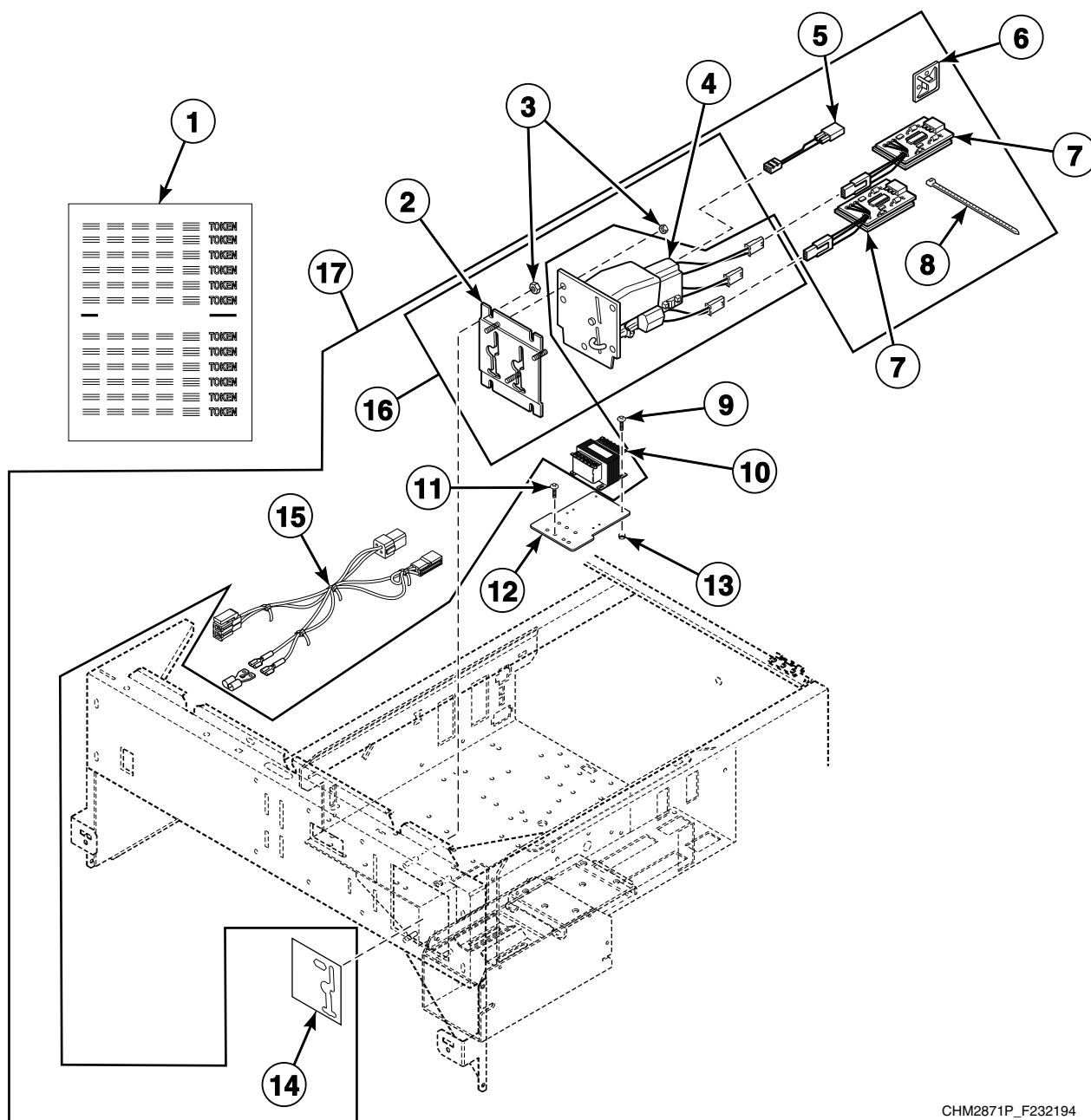
CHM2513P_F232194

Flush Mount Coin Meter Assembly - Dual Drop AC, AX, BC and BX Models

REF	PART NO.	DESCRIPTION	COMMENTS
	F200010001	Coin Meter Assembly	Australia .20 and 1.00; Includes items 1, 3 and 4
	F200010002	Coin Meter Assembly	100 and 500 yen; Includes items 1, 3 and 4
	F200010003	Coin Meter Assembly	Canada .25 and 1.00; Includes items 1, 3 and 4
	F200010004	Coin Meter Assembly	New Zealand .20 and 1.00; Includes items 1, 3 and 4
	F200010005P	Coin Meter Assembly	U.S. \$.25 and \$1.00; Includes items 1, 3 and 4
	F200010008	Coin Meter Assembly	.50 and 2.00 euro; Includes items 1, 3 and 4
	F200010010	Coin Meter Assembly	10 and 50 Taiwan; Includes items 1, 3 and 4
1	685846	Nut	Single drop
2	200674P	Opto Coupler	
3	N/A	Coin Meter	10 and 50 Taiwan dollar
	N/A	Coin Meter	Belgium 5 and 20 franc
	N/A	Coin Meter	Denmark 1 and 5 krone
	N/A	Coin Drop Assembly	Denmark 5 and 10 krone
	38472	Coin Drop Assembly	United Kingdom 20 pence and 1 pound
	70283102	Coin Drop Assembly	.20 and .50 euro
	210195	Coin Drop Assembly	.20 and 1.00 euro
	210196	Coin Drop Assembly	.50 and 1.00 euro
	N/A	Coin Meter	2 and 5 franc
	N/A	Coin Meter	2 and 10 franc
	39157	Coin Drop Assembly	Israel 1 and 5 shekel
	38521	Coin Drop Assembly	Korea 100 and 500 won
	N/A	Coin Meter	Spain 100 and 500 peseta
	38467	Coin Drop Assembly	Australia .20 and 1.00
	38519	Coin Drop Assembly	Japan 100 and 500 yen
	70441602	Coin Drop Assembly	Canada .25 and 1.00
	N/A	Coin Drop Assembly	New Zealand .20 and 1.00
	200731	Coin Drop	U.S. \$1.00
	70256402P	Coin Drop	U.S. \$.25 and \$1.00
	F0160737-00	Coin Meter	.50 and 2.00 euro
	70281102	Coin Drop Assembly	10 and 50 Taiwan dollar
	CK077	Coin Drop Kit	10 Taiwan dollar
4	F635319	Mounting Bracket Assembly	

N/A = Part no longer available

Electronic Coin Meter Assembly - AC, AX, BC and BX Models



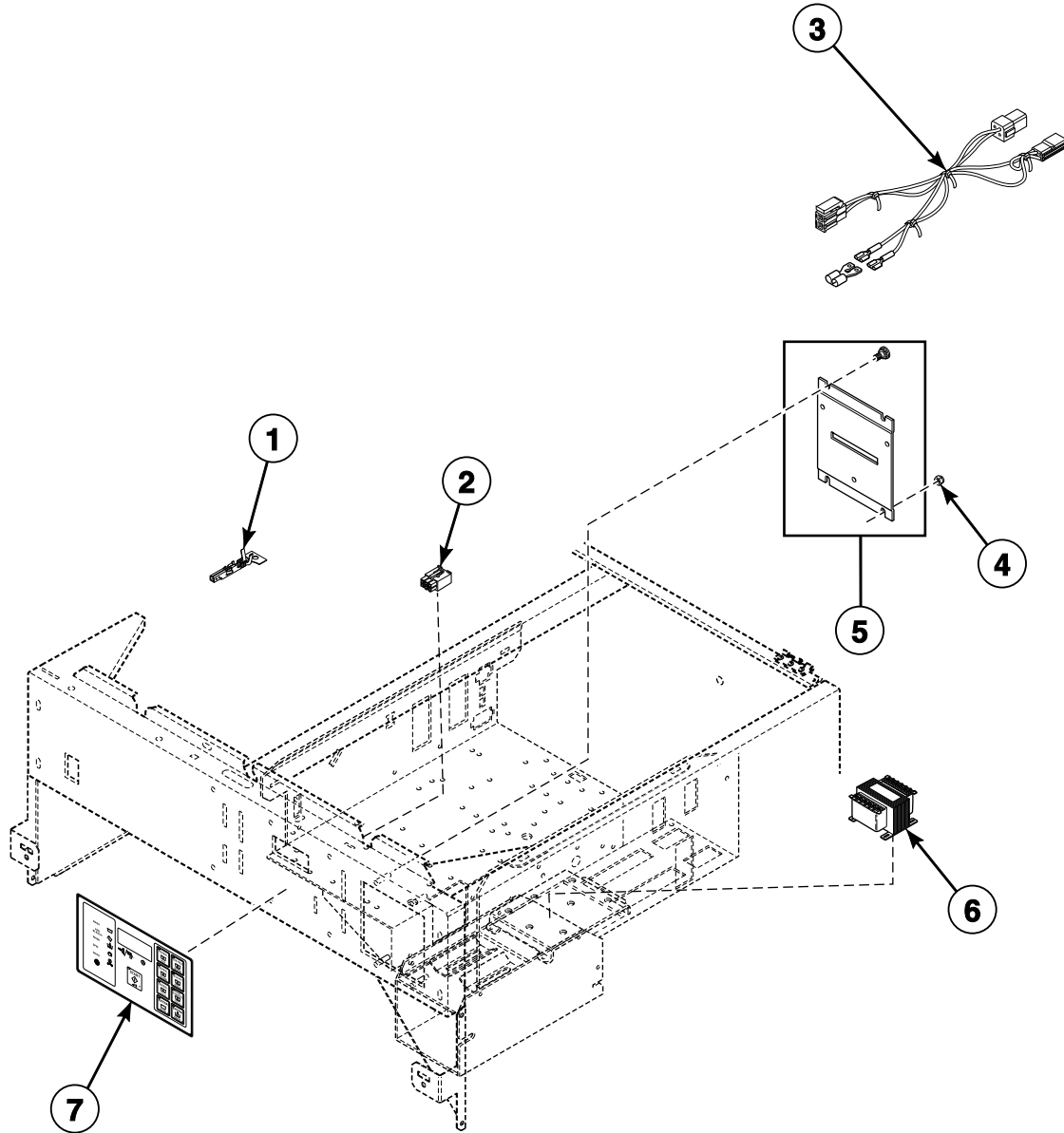
CHM2871P_F232194

Electronic Coin Meter Assembly - AC, AX, BC and BX Models

REF	PART NO.	DESCRIPTION	COMMENTS
1	38725	Coin Identification Paper	
2	F635319	Mounting Bracket Assembly	
3	685846	Nut	
4	CK115	Electronic Coin Drop Kit	U.S. and Canada
	CK113	Electronic Coin Drop Kit	Japan and Taiwan
	CK099	Electronic Coin Drop Kit	Australia, New Zealand, Hong Kong, South Korea, Malaysia, United Kingdom and Euro; Includes 70294105P Electronic Coin Drop Assembly; Requires CK501 Electronic Coin Drop Kit for installation; *
	CK100	Electronic Coin Drop Kit	United Kingdom and euro; Includes 70294103P Electronic Coin Drop Assembly; Requires CK501 Electronic Coin Drop Kit for installation; *
	70294103P	Electronic Coin Drop Assembly	United Kingdom and euro
	CK101	Electronic Coin Drop Kit	Denmark, Norway and euro; Includes 70294104 Electronic Coin Drop Assembly; Requires CK501 Electronic Coin Drop Kit for installation; *
	70294104	Electronic Coin Drop Assembly	Denmark, Norway and euro
	CK103	Electronic Coin Drop Kit	Euro, Lithuania and Latvia; Includes 70294107 Electronic Coin Drop Assembly; Requires CK501 Electronic Coin Drop Kit for installation; *
	70294107	Electronic Coin Drop Assembly	Euro, Lithuania and Latvia
	CK106	Electronic Coin Drop Kit	Singapore, China, Russia and Malaysia; Includes 70294109 Electronic Coin Drop Assembly; Requires CK501 Electronic Coin Drop Kit for installation; *
	70294109	Electronic Coin Drop Assembly	Singapore, China, Russia and Malaysia
	70513306	Electronic Coin Drop Assembly	U.S., Ecuador and Mexico
	CK110	Electronic Coin Drop Kit	U.S., Ecuador and Mexico; Includes 70513306 Electronic Coin Drop Assembly; Requires CK501 Electronic Coin Drop Kit for installation; *
	70294111	Electronic Coin Drop Assembly	.10 - 2.00 Euro
CK109	Electronic Coin Drop Kit	.10 - 2.00 Euro; Includes 70294111 Electronic Coin Drop Assembly; Requires CK501 Electronic Coin Drop Kit for installation; *	
	70513311	Electronic Coin Drop Assembly	China, Russia and Malaysia; Includes items 2-4
5	F8035701	Capacitor	
6	F140602	Tie Wrap Mounting Clamp	
7	F8034701P	Pulse Expander Assembly	
8	F140605	Cable Tie	
9	F430108	Screw	
10	803527P	Transformer	
11	F430107	Screw	
12	F200167700	Transformer Mounting Bracket	
13	F430215	Nut	
14	70295101	Overlay	SC models; Black
	70295301	Overlay	HC models; Gray
15	F200008700	Access Transformer Harness	
16	F200021600P	Coin Meter Assembly	U.S., Canada, Japan and Taiwan; Includes items 2-4
17	CK501	Electronic Coin Drop Kit	Includes items 2, 3, 5-8, 10, 14 and 15

* NOTE: Electronic coin drop kits include item 1, 201091 Overlay, 201104 Harness, 201216 Nut, 201572 Clip, 29786 Nut, electronic coindrop assembly and instruction

Card Reader - AY Models

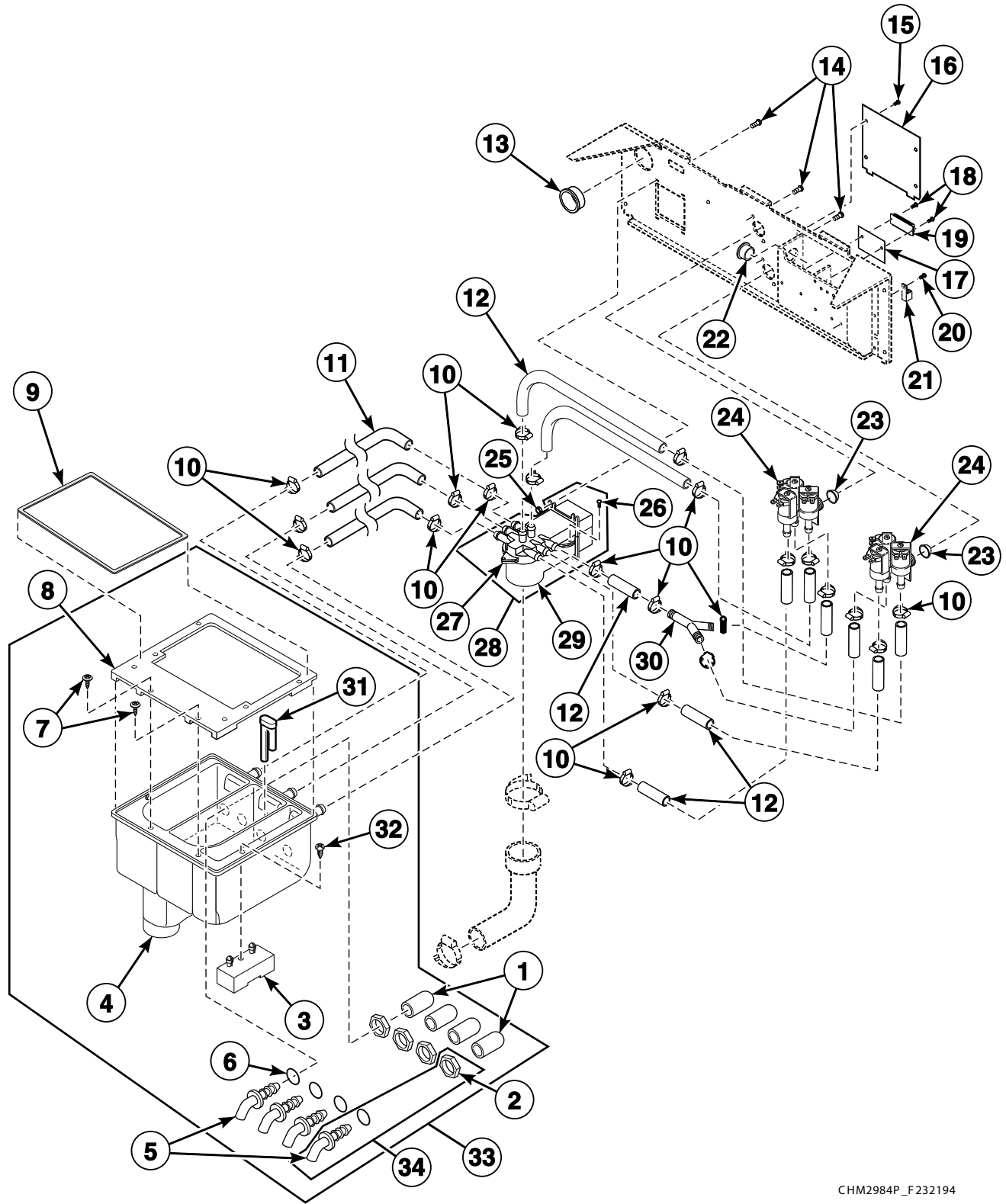


CHM2983P_F232194

Card Reader - AY Models

REF	PART NO.	DESCRIPTION	COMMENTS
1	00252SG	Pin Terminal	
2	34906	Mini-Fit Receptacle Housing	
3	F200008700	Access Transformer Harness	
4	F431017	Nut	
5	F635320	Mounting Bracket Assembly	
6	803527P	Transformer	
7	F8132501P	Keypad	

Fill Plumbing Assembly and External Supply Assembly



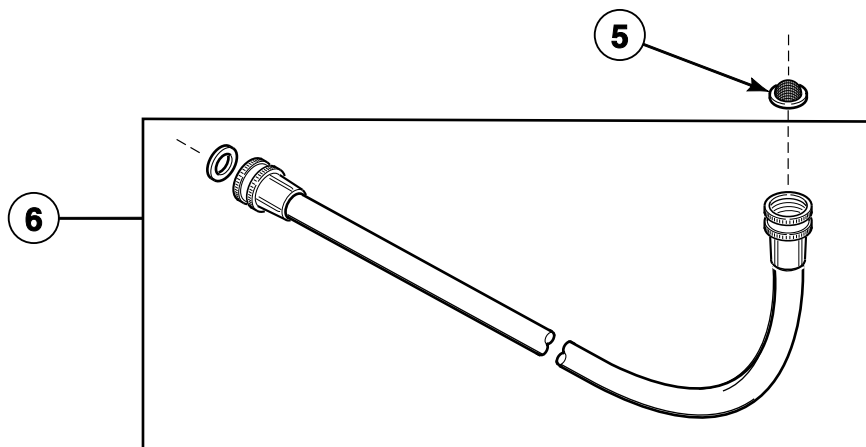
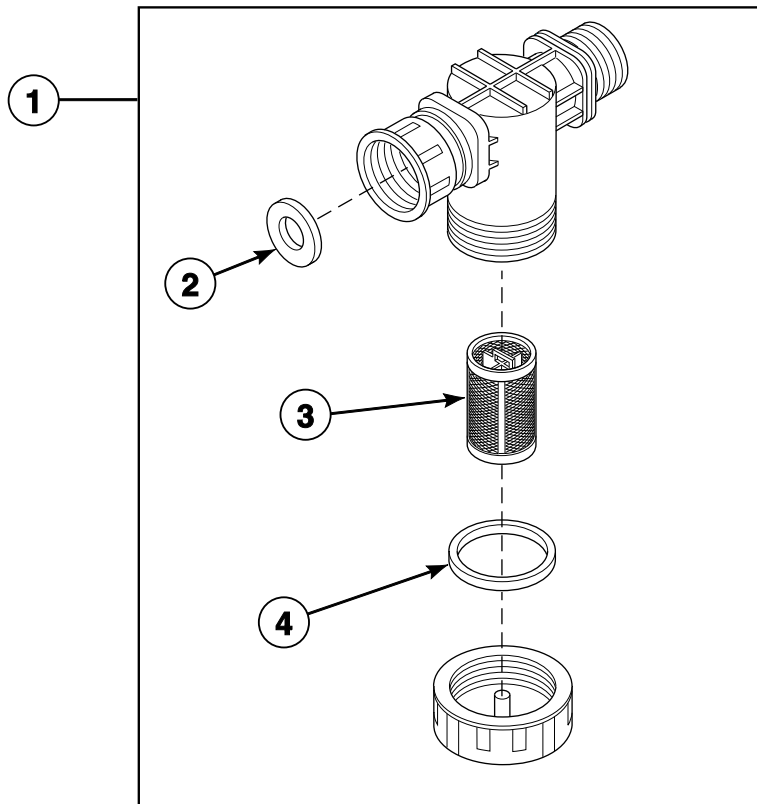
CHM2984P_F232194

Fill Plumbing Assembly and External Supply Assembly

REF	PART NO.	DESCRIPTION	COMMENTS
	G582P3	Diaphragm and Guide Kit	Use with F0381736-00P 3-Way Valve, F0381737-00P 3-Way Valve, F0381738-00P 3-Way Valve and F0381750-00P 3-Way Valve
1	F190303	Cap	
2	802292	Nut	
3	F0150504-00	Supply Dispenser Standoff	
4	F602374	Supply Dispenser Sub-Assembly	
5	F8322001	Injection Nozzle	
6	801632	O-Ring	
7	F430956	Screw	
8	F0150503-00	Supply Dispenser Bezel	
9	F0170190-00P	Bezel Gasket	
10	36801	Hose Clamp	No. 6
11	F0200244-02	Vacuum Breaker Hose	DC20, HC20, SC20 and UC20 models
	F0200244-01	Vacuum Breaker Hose	DC30, HC25, HC30, SC25, SC30 and UC30 models
	F0200244-00	Vacuum Breaker Hose	DC40, DC60, HC40, HC50, HC60, SC40, SC50, SC60, UC40, UC50 and UC60 models
12	F200108P	Water Hose	
13	F200139500	Grommet	AN and BN models
14	F430948	Screw	
15	F430174	Screw	
16	F602533	Input Power Connection Box Cover	
17	F231376-3	External Supply Connection Decal	B, F and H-voltage
	F231376-2	External Supply Connection Decal	C-voltage
	N/A	External Supply Connection Decal	D, E, J, O and Y-voltage
18	F430916	Screw	
19	F140766	Terminal	8 place
20	F430903	Screw	
21	F140734	Ground Terminal Lug	
22	F170615	Grommet	Models through 6/29/05
	F140938	Snap Bushing	Models starting 6/30/05
23	F270200	Strainer	
24	F0381738-00P	3-Way Valve	Standard thread; Cold; 240 Volt
	F0381737-00P	3-Way Valve	Standard thread; Hot; 240 Volt
	F0381736-00P	3-Way Valve	Metric thread; Cold; 240 Volt
	F0381750-00P	3-Way Valve	Metric thread; Hot; 240 Volt
25	F430231	Nut	
26	F430177	Screw	
27	F0150329-00	Vacuum Breaker Top	
28	F603031	Vacuum Breaker Assembly	Includes items 26 and 27
29	F015033000	Vacuum Breaker Bottom	
30	F422808	Y Connector	
31	F150390	Siphon Tube	
32	F0430268-00	Screw	
33	F200202201P	Supply Dispenser Assembly	Includes items 1-8, 31 and 32
34	F730168	Injection Nozzle Kit	Includes items 2, 5 and 6

N/A = Part no longer available

Supply Hose and Filter (Optional)

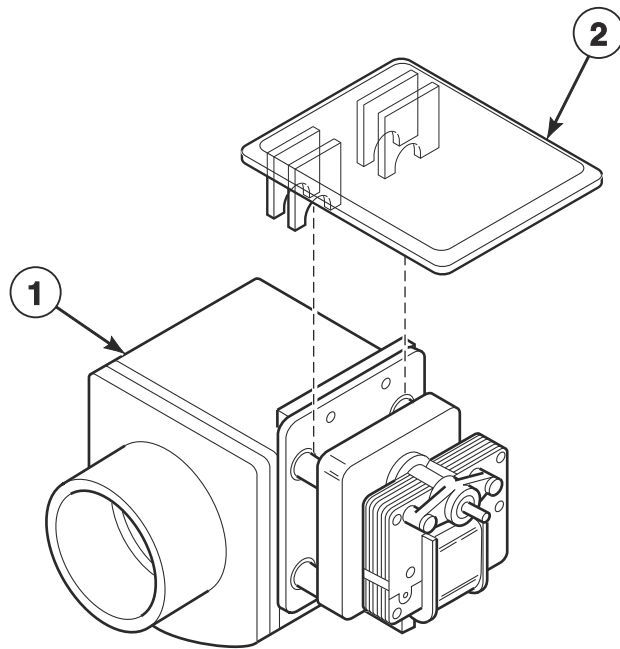


B091P_F232194

Supply Hose and Filter (Optional)

REF	PART NO.	DESCRIPTION	COMMENTS
1	F270306P	Filter	Standard thread
	F270305	Filter	Metric thread
2	20290	Washer	
3	F270406	Replacement Filter	.11 mm
	F270405	Replacement Filter	.25 mm
4	F270407	Filter Housing Cap Gasket	
5	803615	Washer	
6	F200116	Fill Hose	3/8 inch; Standard thread
	F200164	Water Hose	3/4 inch; Standard thread
	F200165	Water Hose	3/8 inch; Metric thread
	F200166	Water Hose	3/4 inch; Metric thread

Drain Valve Assembly - 20, 25 and 30 Pound DC, HC, SC and UC Models

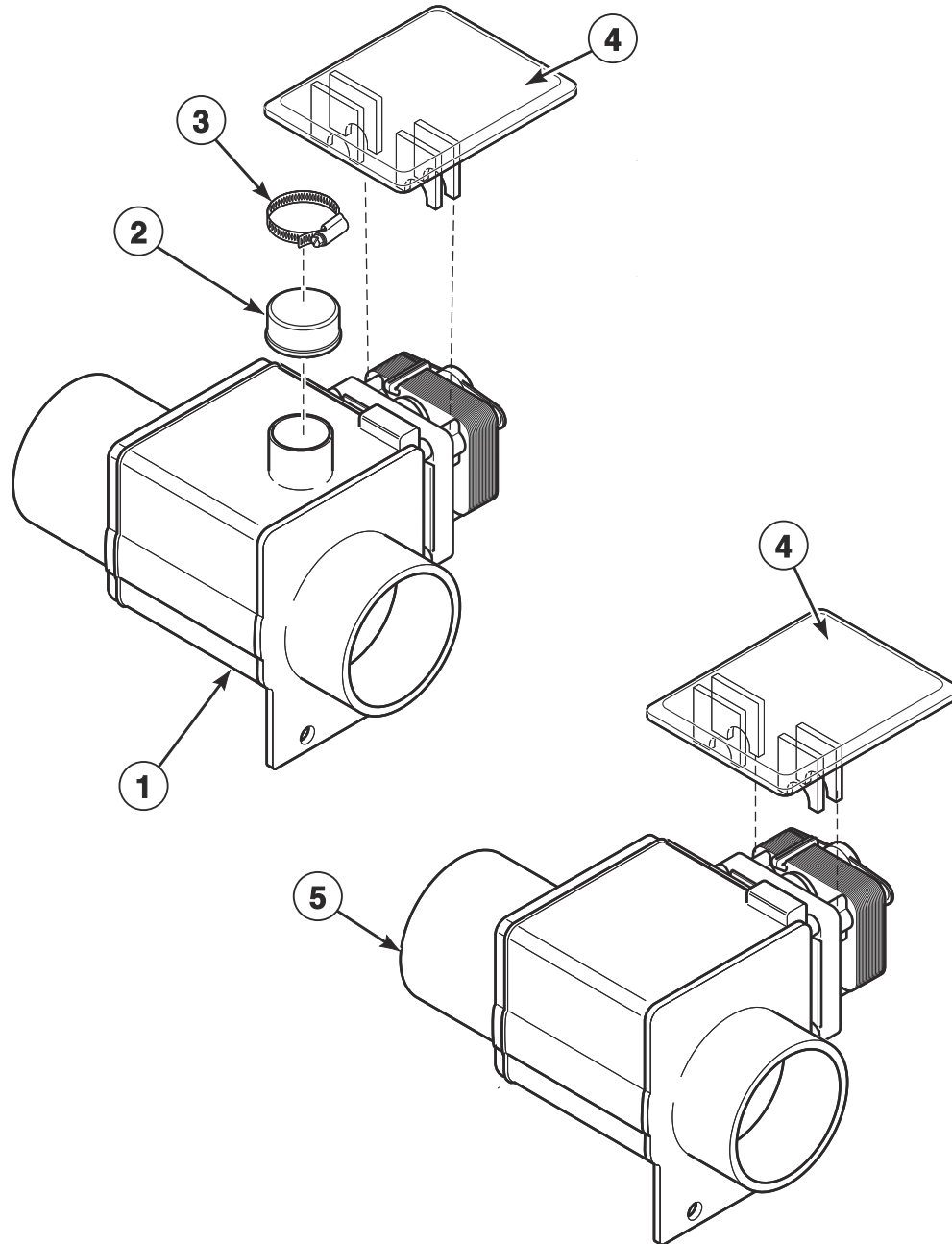


CHM3547P

Drain Valve Assembly - 20, 25 and 30 Pound DC, HC, SC and UC Models

REF	PART NO.	DESCRIPTION	COMMENTS
	F8504601	Spring	
1	803292P	Gravity Drain Valve	220 Volt; Includes item 3
2	F200133600	Drain Valve Cover	

Drain Valve Assembly - 40, 50 and 60 Pound DC, HC, SC and UC Models

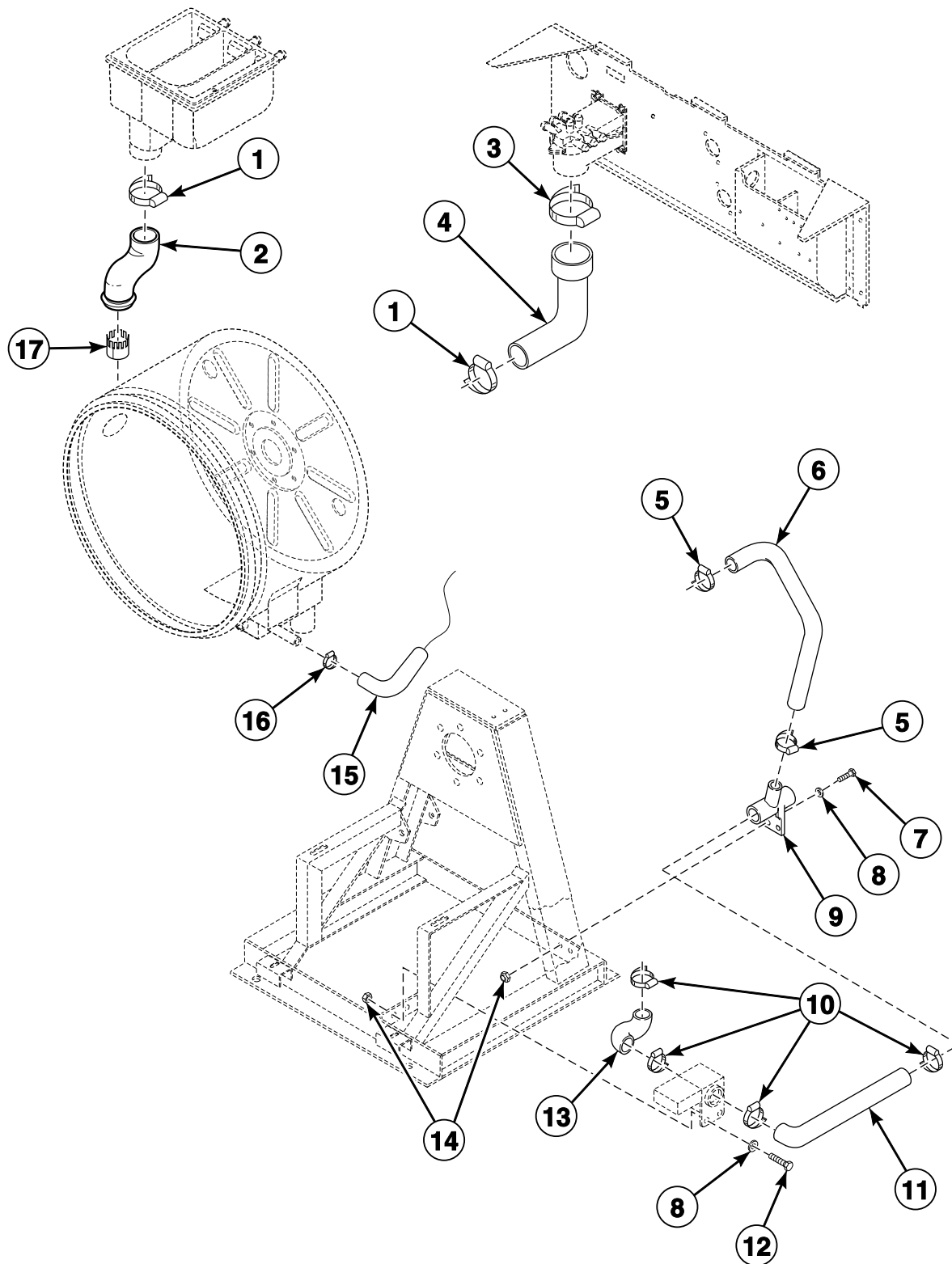


CHM3549P

Drain Valve Assembly - 40, 50 and 60 Pound DC, HC, SC and UC Models

REF	PART NO.	DESCRIPTION	COMMENTS
	F8562001	Drain Seal Kit	Use with item 7
1	F8406303	Drain Valve	220 Volt; Includes F431147 Washer and screw
2	F200215	Hose Clamp	No. 28
3	F150352	Overflow Plug	
4	F200133600	Drain Valve Cover	
5	F8602602P	Drain Valve	240 Volt; Models with heat

Drain, Hoses and Air Trap



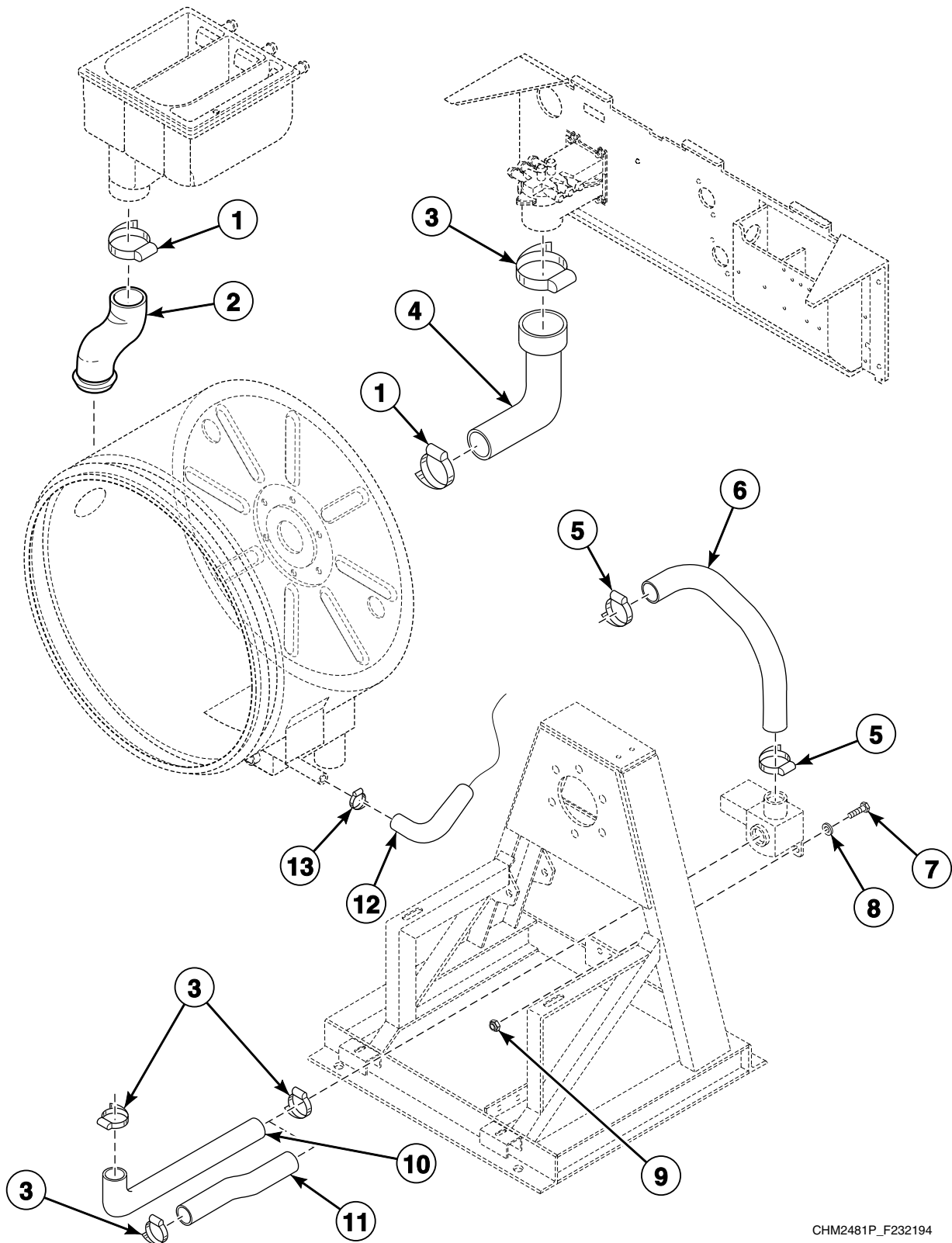
CHM2843P_F232194

Drain, Hoses and Air Trap

REF	PART NO.	DESCRIPTION	COMMENTS
1	F200213	Hose Clamp	No. 40
2	F8061601	Supply Dispenser Hose	HC25 and SC25 models
	F0200236-01	Supply Dispenser Hose	DC20, DC30, HC20, HC30, SC20, SC30, UC20 and UC30 models
	F8071701	Supply Dispenser Hose	DC40, DC60, HC40, HC50, HC60, SC40, SC50, SC60, UC40, UC50 and UC60 models
3	N/A	Hose Clamp	No. 48
4	F150321	Vacuum Breaker Hose	DC20, DC30, DC40, HC20, HC30, HC40, SC20, SC30, SC40, UC20, UC30 and UC40 models
	F150372	Fill Hose	HC25 and SC25 models
	F150340	Vacuum Breaker Hose	HC50, SC50 and UC50 models
	F0150340-01	Vacuum Breaker Fill Hose	DC60, HC60, SC60 and UC60 models
5	F200215	Hose Clamp	No. 28
6	F200125800	Overflow Hose	DC20, DC30, HC20, HC25, HC30, SC20, SC25, SC30, UC20 and UC30 models
	F0200238-00	Overflow Hose	HC40, SC40 and UC40 models
	F150332	Overflow Hose	DC60, HC50, HC60, SC50, SC60, UC50 and UC60 models
7	F430103	Screw	
8	F430317	Washer	
9	F150318	Drain Connect Tee	DC20, DC30, HC20, HC25, HC30, SC20, SC25, SC30, UC20 and UC30 models
	F8752101	Drain Tee	DC40, DC60, HC40, HC50, HC60, SC40, SC50, SC60, UC40, UC50 and UC60 models
10	F200213	Hose Clamp	DC20, DC30, DC40, HC20, HC25, HC30, HC40, SC20, SC25, SC30, SC40, UC20, UC30 and UC40 models
	N/A	Hose Clamp	DC60, HC50, HC60, SC50, SC60, UC50 and UC60 models
11	F150311	Rear Drain Hose	DC20, HC20, SC20 and UC20 models
	F0150331-00	Drain Hose	DC30, HC25, HC30, SC25, SC30 and UC30 models; Rear
	F0200239-00	Rear Drain Hose	HC40, SC40 and UC40 models; Models through 1/25/05
	F200185300	Drain Hose	DC40, HC40, SC40 and UC40 models; Models starting 1/25/05
	F200123500	Drain Hose	DC60, HC50, HC60, SC50, SC60, UC50 and UC60 models
12	F430103	Screw	
13	F150312	Front Drain Hose	DC20, DC30, HC20, HC25, HC30, SC20, SC25, SC30, UC20 and UC30 models
	F0200240-00	Front Drain Hose	DC40, HC40, SC40 and UC40 models; Models through 1/25/05
	F8035801	Front Drain Hose	DC60, HC50, HC60, SC50, SC60, UC50 and UC60 models
	F200185200	Drain Hose	DC40, HC40, SC40 and UC40 models; Models starting 1/26/05
14	F430215	Nut	
15	F020014200	Air Trap Hose	
16	F200222	Hose Clamp	No. 12
17	F150419	Supply Dispenser Baffle	Optional; Used to prevent water from entering the supply dispenser during an extraction step

N/A = Part no longer available

Drain Hoses and Air Trap - DC60, HC50, HC60, SC50, SC60, UC50 and UC60 Models with Heat Shell

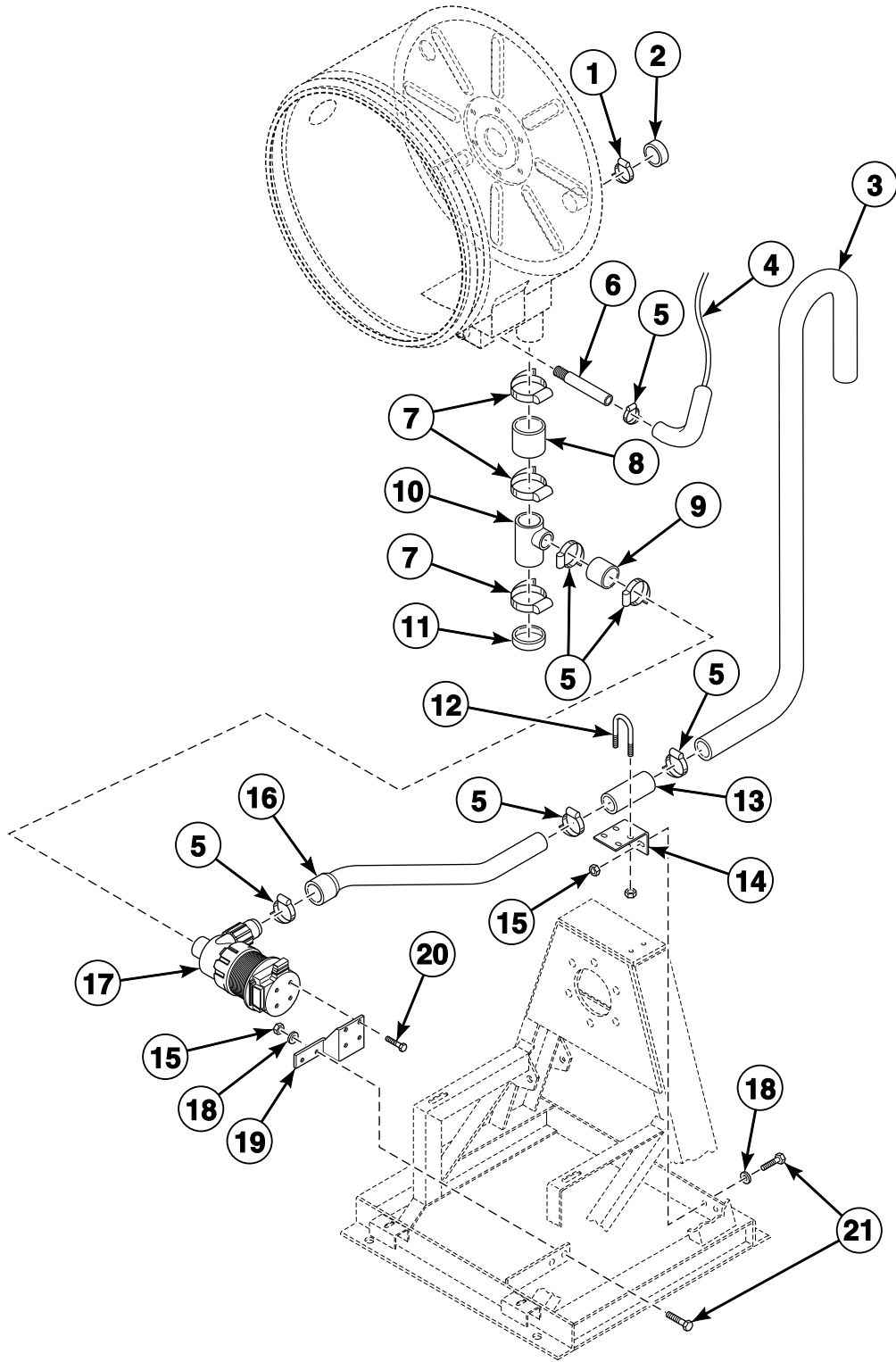


CHM2481P_F232194

Drain Hoses and Air Trap - DC60, HC50, HC60, SC50, SC60, UC50 and UC60 Models with Heat Shell

REF	PART NO.	DESCRIPTION	COMMENTS
1	F200213	Hose Clamp	No. 40
2	F8071701	Supply Dispenser Hose	
3	F200219	Hose Clamp	No. 48
4	F0150340-01	Vacuum Breaker Fill Hose	
5	F200215	Hose Clamp	No. 28
6	F150332	Overflow Hose	
7	F430103	Screw	
8	F430317	Washer	
9	F430215	Nut	
10	F150356	Drain Hose	HC50, SC50 and UC50 models
11	F0150524-00	Sump Drain Hose	DC60, HC60, SC60 and UC60 models
12	F020014200	Air Trap Hose	
13	F200222	Hose Clamp	No. 12

Pump Drain Option - DC30, HC30, SC30 and UC30 E-Voltage Models



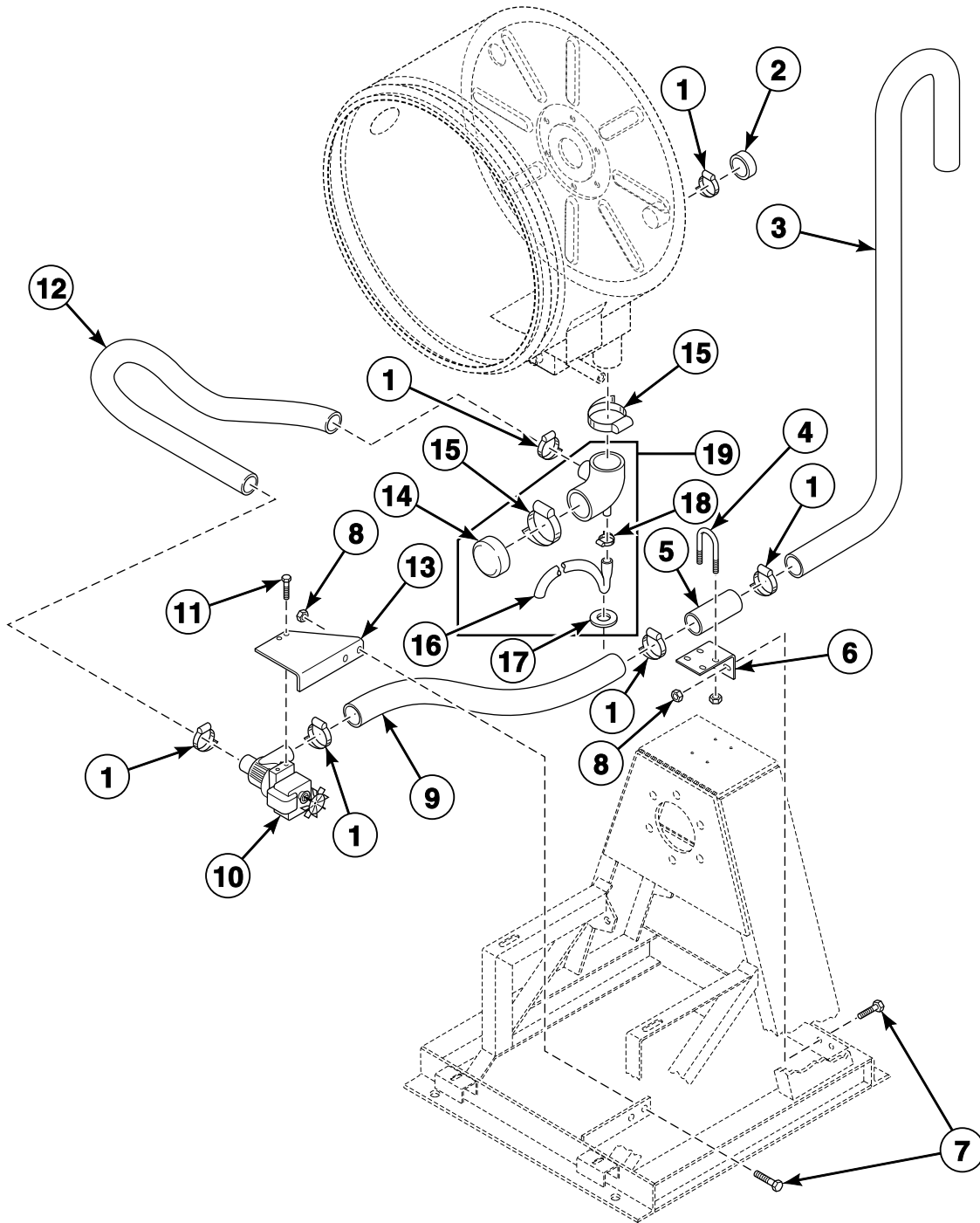
CHM2303P_F232194

Pump Drain Option - DC30, HC30, SC30 and UC30 E-Voltage Models

REF	PART NO.	DESCRIPTION	COMMENTS
1	F200215	Hose Clamp	No. 28
2	F150352	Overflow Plug	
3	F150343	Rear Pump Drain Hose	
4	F020014200	Air Trap Hose	
5	F200204	Hose Clamp	No. 20
6	F634178	Air Chamber Nipple	
7	F200213	Hose Clamp	No. 40
8	F200123400	Drain Hose	
9	F634177	Pump Inlet Hose	
10	F633819	Pump Drain Trap Weldment	
11	F150443	Plug	
12	F200401P	U-Bolt Clamp	Includes nuts
13	N/A	Pipe	
14	F604147	Pump Drain Rear Connecting Bracket	
15	F430215	Nut	
16	F150482	Pump Drain Outlet Hose	
17	F634463P	Pump	
18	F430317	Washer	
19	F634114	Pump Mounting Bracket	
20	F430179	Screw	
21	F430107	Screw	

N/A = Part no longer available

Pump Drain Option - HC20, HC25, SC20, SC25, UC20 and All HC30, SC30 and UC30 Models Except E-Voltage Models



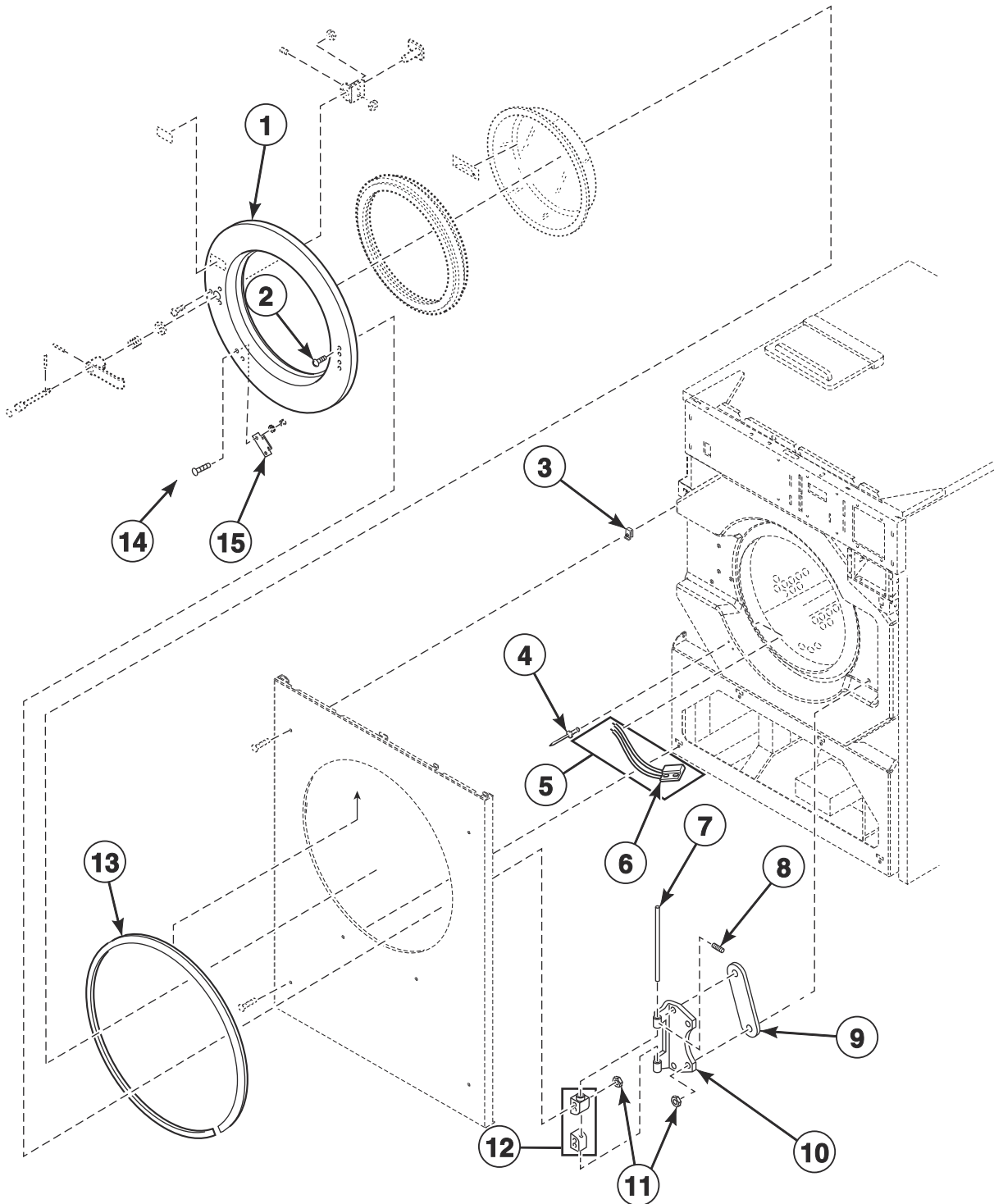
CHM2561P_F232194

Pump Drain Option - HC20, HC25, SC20, SC25, UC20 and All HC30, SC30 and UC30 Models Except E-Voltage Models

REF	PART NO.	DESCRIPTION	COMMENTS
1	F200204	Hose Clamp	No. 20
2	F150352	Overflow Plug	
3	F150343	Rear Pump Drain Hose	
4	F200401P	U-Bolt Clamp	Includes nuts
5	F603827-1	Pipe	
6	F604147	Pump Drain Rear Connecting Bracket	
7	F430107	Screw	
8	F430215	Nut	
9	N/A	Hose	
10	F270119P	Drain Pump	120 Volt
	F270104P	Pump	220 Volt/50 Hertz
	F200000900P	Pump	220 Volt/60 Hertz
11	F430519	Screw	
12	F609748-5	Hose	
13	F609694	Pump Drain Trap Mounting Bracket	
14	F150443	Plug	
15	F200213	Hose Clamp	No. 40
16	F606192-5	Tubing	
17	901690	Washer	
18	F200217	Hose Clamp	
19	F630326P	Pump Drain Trap Assembly	Includes items 14-18

N/A = Part no longer available

Door (Drawing 1 of 2)



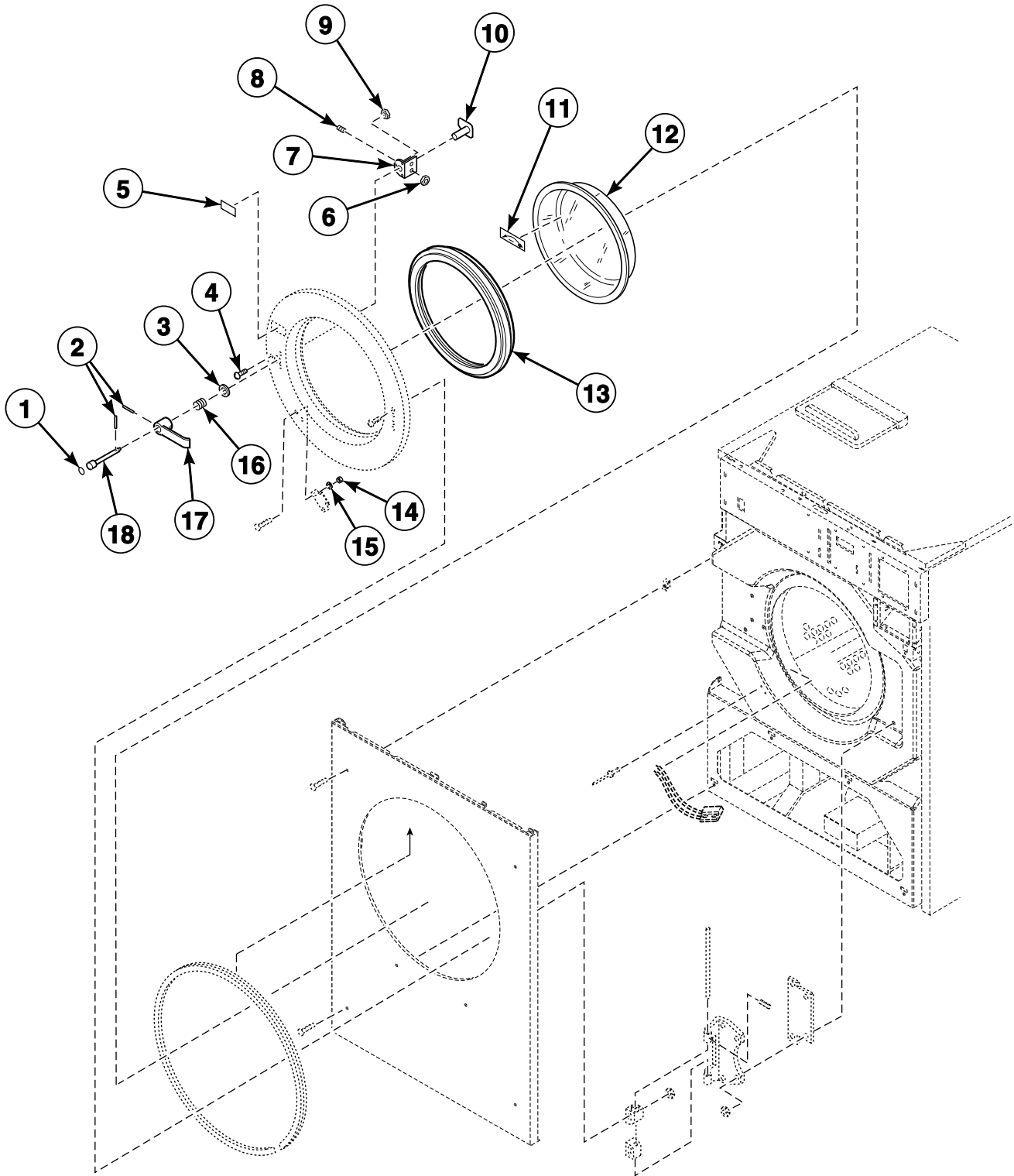
CHM3453P_F232194

Door (Drawing 1 of 2)

REF	PART NO.	DESCRIPTION	COMMENTS
	F604079-6	Door Assembly	DC20, HC20, HC25, SC20, SC25 and UC20 models; Includes items 1-2, 6-7, 9-11 and items 1-18 on <i>Door (Drawing 2 of 2)</i> ; Gray door gasket
	F8150401	Door Assembly	Model DC30AC2; Includes items 1-2, 6-7, 9-11 and items 1-18 on <i>Door (Drawing 2 of 2)</i> ; Black door gasket
	F8150501	Door Assembly	Models DC40AC2 and DC60AC2; Includes items 1-2, 6-7, 9-11 and items 1-18 on <i>Door (Drawing 2 of 2)</i> ; Black door gasket
	F060323905	Door Assembly	HC30, SC30 and UC30 AN and BN models; Includes items 1-2, 6-7, 9-11 and items 1-18 on <i>Door (Drawing 2 of 2)</i> ; Gray door gasket
	F060323906	Door Assembly	HC30 and SC30 coin models; Includes items 1-2, 6-7, 9-11 and items 1-18 on <i>Door (Drawing 2 of 2)</i> ; Gray door gasket
	F060390105	Door Assembly	HC40, HC50, HC60, SC40, SC50, SC60, UC40, UC50 and UC60 AN and BN models; Includes items 1-2, 6-7, 9-11 and items 1-18 on <i>Door (Drawing 2 of 2)</i> ; Gray door gasket
	F060390106	Door Assembly	HC40, HC50, HC60, SC40, SC50 and SC60 coin models; Includes items 1-2, 6-7, 9-11 and items 1-18 on <i>Door (Drawing 2 of 2)</i> ; Gray door gasket
1	N/A	Door	HC20, HC25 and SC20 models
	F602837-1	Door	HC30 and SC30 models
	F602842-2	Door	HC40, HC50, HC60, SC40, SC50 and SC60 models
2	F430974	Bolt	
3	F430264	Nut	Tinnerman
4	F8245101	Blind Rivet	
5	F8746601	Magnetic Switch Assembly	Includes item 6
6	F0340723-00	Magnetic Switch	
7	F602813-2	Rod	HC20, HC25, HC30, SC20, SC25, SC30, UC20 and UC30 models
	F602813-3	Rod	HC40, HC50, HC60, SC40, SC50, SC60, UC40, UC50 and UC60 models
8	F430536	Screw	
9	F200131000P	Door Hinge Shim Kit	As required
10	F190216P	Door Hinge	
11	F430215	Nut	
12	F150271	Door Mount	
13	F8679201P	Trim	Models through 4/29/08; F8142701 Adhesive required for installation
14	F430916	Screw	
15	F8390801	Magnet	AC, AN, AY, BC, BN, BX and BY models

N/A = Part no longer available

Door (Drawing 2 of 2)

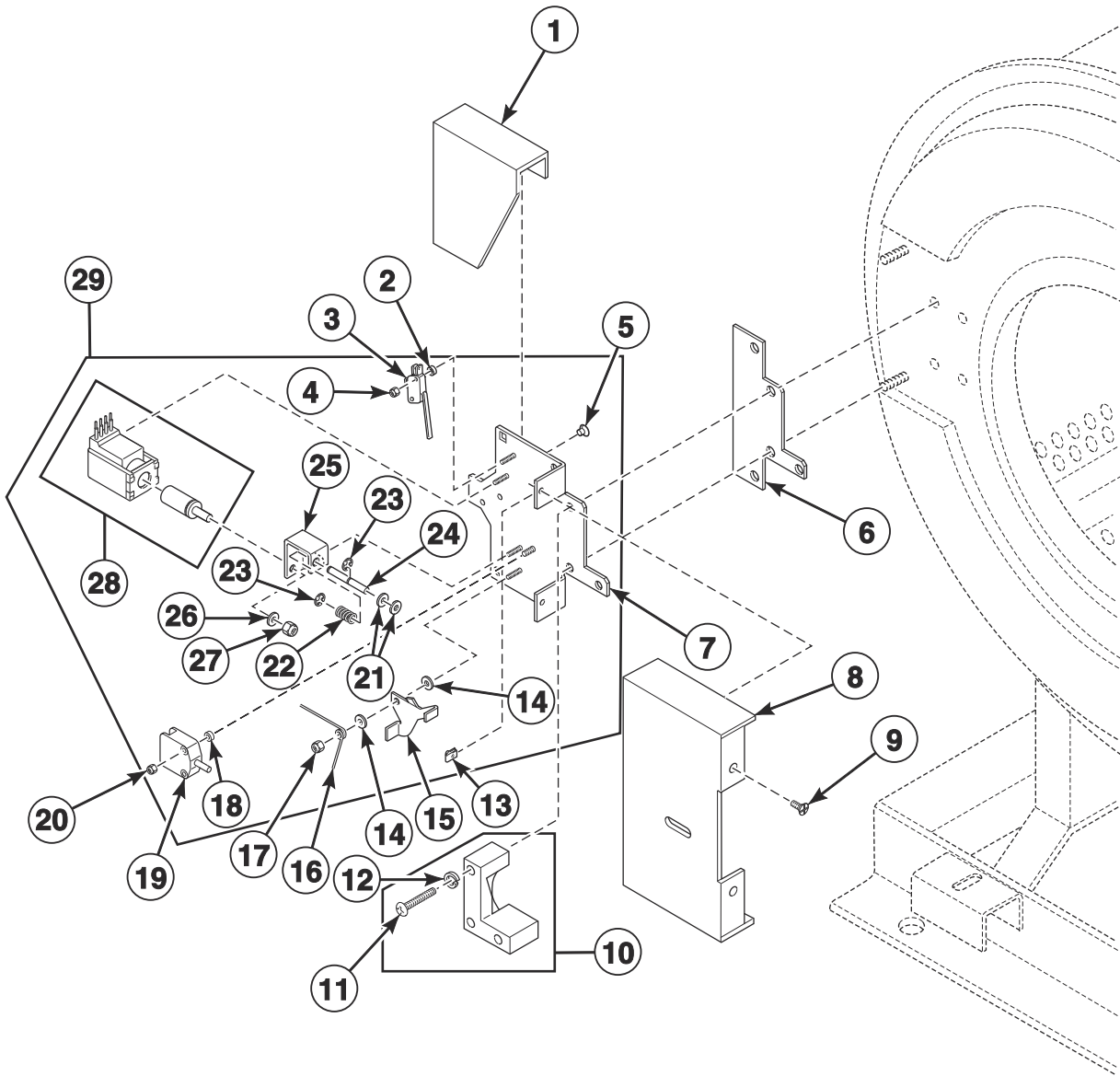


CHM3008P_F232194

Door (Drawing 2 of 2)

REF	PART NO.	DESCRIPTION	COMMENTS
1	F230662	Red Dot Decal	
2	F431222	Spring Pin	
3	F431916	Washer	
4	F8535601	Screw	
5	F230661	Push Red Button Decal	
6	F431041	Nut	
7	F0150273-00	Door Spacer	
8	F430532	Screw	HC20, HC25, SC20 and UC20 models
	F430533	Screw	HC30, HC40, HC50, HC60, SC30, SC40, SC50, SC60, UC30, UC40, UC50 and UC60 models
9	F430232	Nut	
10	F730155	Door Handle Kit	Includes items 1, 2, 7 and 16-18
11	F230693	Counterclockwise Spin Rotation Decal	English
	F230914	Spin Rotation Decal	Universal
12	F290205P	Door Glass Kit	HC20, HC25, SC20, SC25 and UC20 models
	F8485301P	Door Glass	HC30, SC30 and UC30 models
	F8485401P	Door Glass	HC40, HC50, HC60, SC40, SC50, SC60, UC40, UC50, and UC60 models
13	F200000200	Door Gasket	HC20, HC25, SC20 and UC20 models; Gray
	F200000202	Door Gasket	HC20, HC25, SC20, SC25 and UC20 models; Black
	F170123	Door Gasket	HC30, SC30 and UC30 models; Gray
	F017012302	Door Gasket	HC30, SC30 and UC30 models; Black
	F170124	Door Gasket	HC40, HC50, HC60, SC40, SC50, SC60, UC40, UC50 and UC60 models; Gray
	F017012402	Door Gasket	HC40, HC50, HC60, SC40, SC50, SC60, UC40, UC50 and UC60 models; Black
14	F431022	Nut	
15	F431113	Washer	
16	F310125	Door Lock Spring	
17	F150225	Door Handle	
18	F320300	Pushbutton Rod	

Door Lock - AC, AL, AX, AY, BC, BL, BX and BY Models

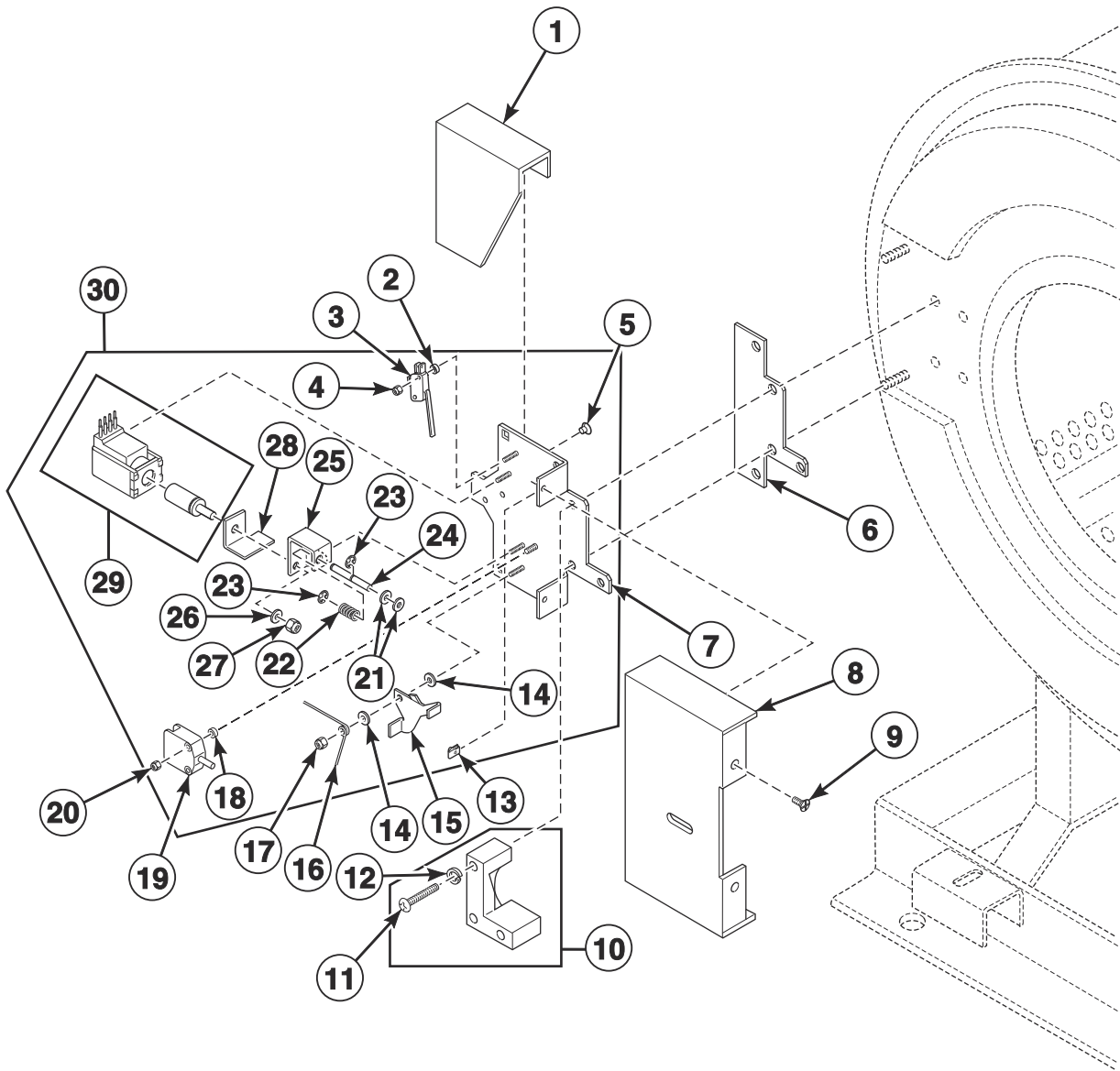


CHM2844P

Door Lock - AC, AL, AX, AY, BC, BL, BX and BY Models

REF	PART NO.	DESCRIPTION	COMMENTS
1	F320200	Door Lock Splash Shield	
2	F431901	Spacer	
3	F200203200	Door Lock Microswitch	
4	F430225	Nut	
5	F430977	Screw	
6	F8059701	Door Lock Plate Shim	
7	F8066701	Door Lock Plate Assembly	
8	F603003	Door Lock Assembly Cover	
9	F430956	Screw	
10	F746808	L-Catch Kit	Includes items 11 and 12
11	F430982	Screw	
12	F431100	Washer	
13	F430264	Nut	
14	F431902	Washer	
15	F0636636-00	Door Lock Switch Lever	
16	F310110	Door Lock Torsion Spring	
17	F430232	Nut	
18	F431901	Spacer	
19	F340200	Door Switch	
20	F430231	Nut	
21	F431147	Washer	
22	F310137	Door Lock Pin Release Spring	
23	F310205	E-Ring Retainer	
24	F431231	Door Locking Linkage Pin	
25	F150455	Door Lock Pin Linkage	
26	F431123	Washer	
27	F431017	Nut	
28	F0636380-00P	Solenoid Harness	Includes F300124 Solenoid
29	F200321400P	Door Lock Assembly	2 speed models without heat; Includes door lock switch harness, magnetic switch assembly, rivet and items 2-5, 7 and 13-27
	F200321401	Door Lock Assembly	2 speed models with heat; Includes door lock switch harness, magnetic switch assembly, rivet and items 2-5, 7 and 13-27
	F200321402	Door Lock Assembly	Variable and F-speed models without heat; Includes door lock switch harness, door lock solenoid harness, magnetic switch assembly, screw, nut and items 2-5, 7 and 13-27
	F200321403	Door Lock Assembly	Variable and F-speed models with heat; Includes door lock switch harness, door lock solenoid harness, magnetic switch assembly, screw, nut and items 2-5, 7 and 13-27

Door Lock - AN and BN Models

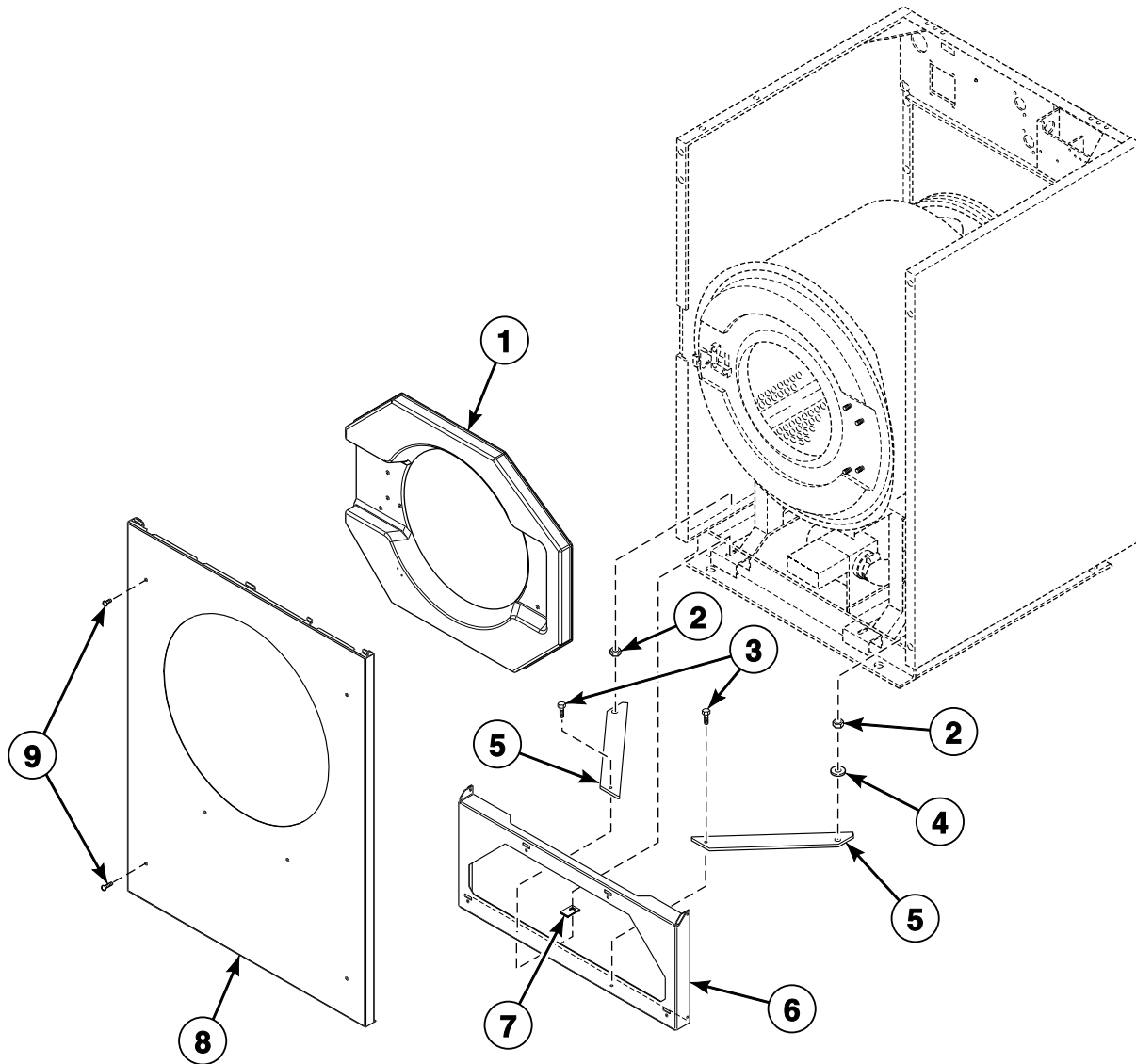


CHM2845P

Door Lock - AN and BN Models

REF	PART NO.	DESCRIPTION	COMMENTS
	F200136600	Door Lock Harness	
1	F320200	Door Lock Splash Shield	
2	F431901	Spacer	
3	F200203200	Door Lock Microswitch	
4	F430225	Nut	
5	F430977	Screw	
6	F8059701	Door Lock Plate Shim	
7	F8066701	Door Lock Plate Assembly	
8	F603003	Door Lock Assembly Cover	
9	F430956	Screw	
10	F746808	L-Catch Kit	Includes items 11 and 12
11	F430982	Screw	
12	F431100	Washer	
13	F430264	Nut	
14	F431902	Washer	
15	F0636636-00	Door Lock Switch Lever	
16	F310110	Door Lock Torsion Spring	
17	F430232	Nut	
18	F431901	Spacer	
19	F340200	Door Switch	
20	F430231	Nut	
21	F431147	Washer	
22	F310137	Door Lock Pin Release Spring	
23	F310205	E-Ring Retainer	
24	F431231	Door Locking Linkage Pin	
25	F150455	Door Lock Pin Linkage	
26	F431123	Washer	
27	F431017	Nut	
28	F0636103-00	Door Lock Retainer Latch	
29	F0300131-00P	Door Lock Solenoid	220 Volt
30	F200136801	Door Lock Assembly	C-voltage; Includes items 2-5, 7, 15-28 and the wire harness
	F200136800P	Door Lock Assembly	All other voltages; Includes items 2-5, 7, 15-28 and the wire harness

Inner and Outer Front Panels - AN, AY, BL, BN and BY Models



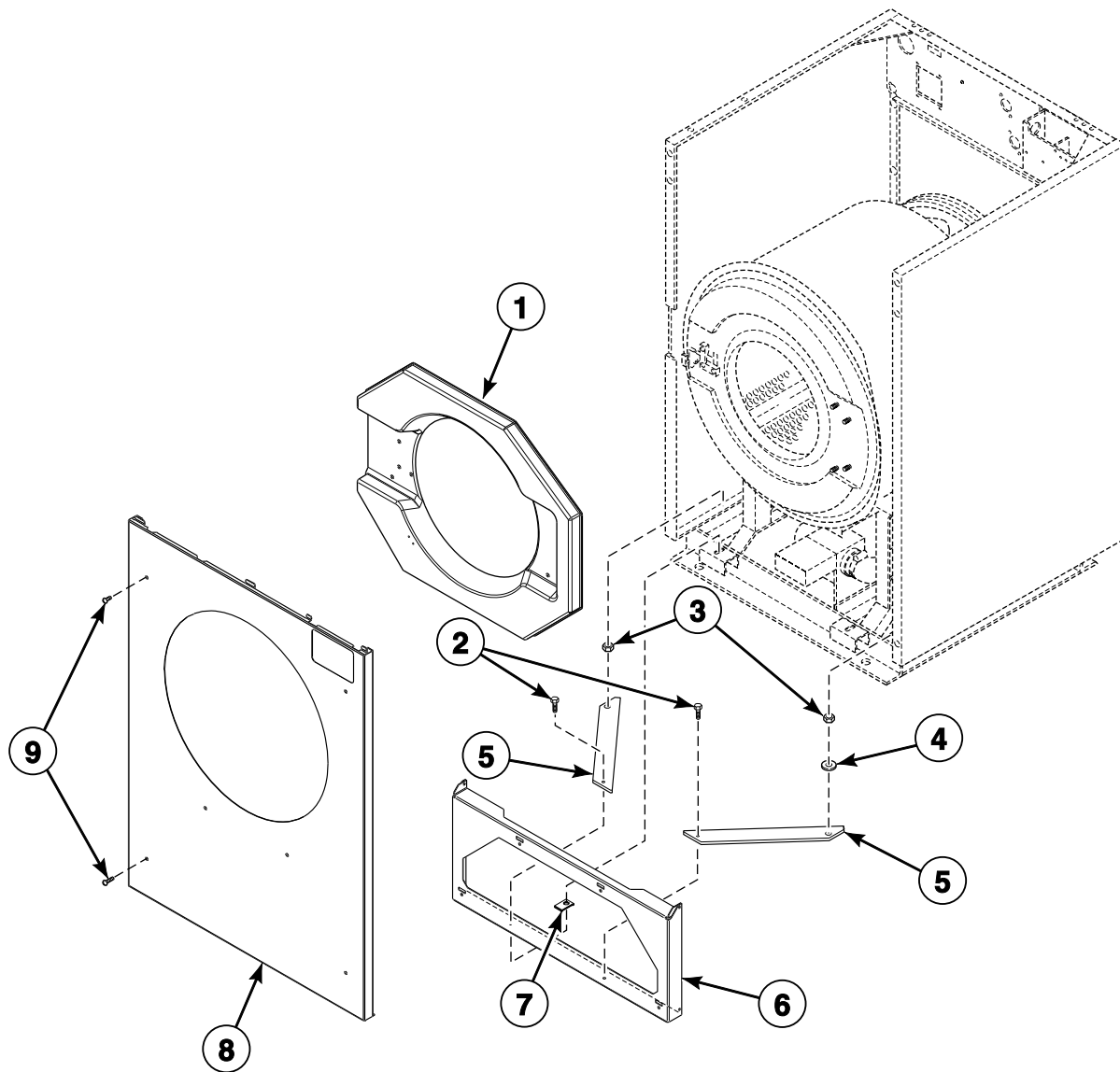
CHM3028P_F232194

Inner and Outer Front Panels - AN, AY, BL, BN and BY Models

REF	PART NO.	DESCRIPTION	COMMENTS
1	F8658701	Door Bezel	SC20, SC25 and UC20 models; Black
	F170416-2	Door Bezel	HC20 and HC25 models; Pantone 403
	F8658901	Door Bezel	SC30, HC30 and UC30 models; Black
	F8659101	Door Bezel	HC40, HC50, HC60, SC40, SC50, SC60, UC40, UC50 and UC60 models; Black
2	F430233	Nut	HC40, SC40 and UC40 models
3	F430174	Screw	HC40, SC40 and UC40 models
4	M405535	Washer	HC40, SC40 and UC40 models
5	F200168900	Cabinet Corner Stiffener	HC40, SC40 and UC40 models
6	F634800	Cabinet Brace	HC20, SC20 and UC20 models
	F634801	Cabinet Brace	HC30, SC30 and UC30 models
	F0636217-00	Cabinet Brace	HC40, SC40 and UC40 models
	F634803P	Cabinet Brace	HC50, HC60, SC50, SC60, UC50 and UC60 models
7	F430264	Nut	
8	F8200302P	Front Panel	HC20, SC20 and UC20 models; Stainless steel
	N/A	Front Panel	HC20, SC20 and UC20 models; Almond
	N/A	Front Panel	HC20, SC20 and UC20 models; White
	F634837-1	Front Panel	HC25 and SC25 models; Stainless steel
	F8200402P	Front Panel	HC30, SC30 and UC30 models; Stainless steel
	F634666-2	Front Panel	HC30, SC30 and UC30 models; Almond
	F634666-5	Front Panel	HC30, SC30 and UC30 models; White
	F8200502P	Front Panel	HC40, SC40 and UC40 models; Stainless steel
	N/A	Front Panel	HC40, SC40 and UC40 models; White
	F8200602P	Front Panel	HC50, HC60, SC50, SC60, UC50 and UC60 models; Stainless steel
	N/A	Front Panel	HC50, HC60, SC50, SC60, UC50 and UC60 models; White
9	F430956	Screw	

N/A = Part no longer available

Inner and Outer Front Panels - AC, AL, AX, BC and BX Models



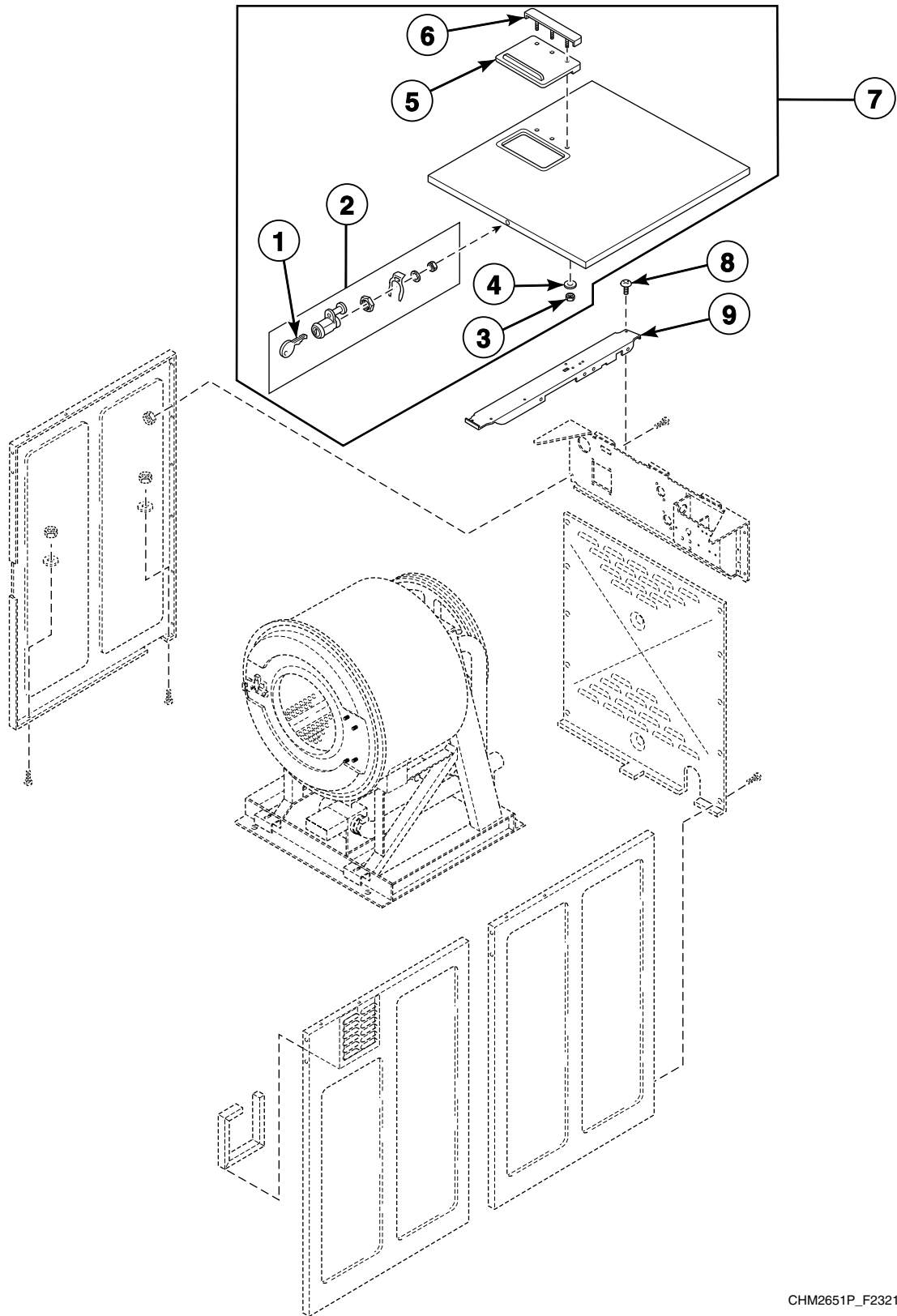
CHM3029P_F232194

Inner and Outer Front Panels - AC, AL, AX, BC and BX Models

REF	PART NO.	DESCRIPTION	COMMENTS
1	F8658701	Door Bezel	DC20, SC20 and SC25 models; Black
	F170416-2	Door Bezel	HC20 and HC25 models; Pantone 403
	F8658901	Door Bezel	DC30, HC30 and SC30 models; Black
	F8659101	Door Bezel	DC40, DC60, HC40, HC50, HC60, SC40, SC50 and SC60 models; Black
2	F430174	Screw	DC40, HC40 and SC40 models
3	F430233	Nut	DC40, HC40 and SC40 models
4	M405535	Washer	DC40, HC40 and SC40 models
5	F200168900	Cabinet Corner Stiffener	DC40, HC40 and SC40 models
6	F634800	Cabinet Brace	DC20, HC20, HC25, SC20 and SC25 models
	F634801	Cabinet Brace	DC30, HC30 and SC30 models
	F0636217-00	Cabinet Brace	DC40, HC40 and SC40 models
	F634803P	Cabinet Brace	DC60, HC50, HC60, SC50 and SC60 models
7	F430264	Nut	
8	F8200301P	Front Panel	DC20, HC20 and SC20 models; Stainless steel
	F634682-2	Front Panel	DC20, HC20 and SC20 models; Almond
	F634682-5	Front Panel	DC20, HC20 and SC20 models; White
	N/A	Front Panel	DC20, HC20 and SC20 models; Orange
	F634836-1P	Front Panel	HC25 and SC25 models; Stainless steel
	F634836-2	Front Panel	HC25 and SC25 models; Almond
	N/A	Front Panel	HC25 and SC25 models; White
	N/A	Front Panel	HC25 and SC25 models; Orange
	F8200401P	Front Panel	DC30, HC30 and SC30 models; Stainless steel
	N/A	Front Panel	DC30, HC30 and SC30 models; Almond
	N/A	Front Panel	DC30, HC30 and SC30 models; White
	F8200501P	Front Panel	DC40, HC40 and SC40 models; Stainless steel
	N/A	Front Panel	DC40, HC40 and SC40 models; White
	F8200601P	Front Panel	DC60, HC50, HC60, SC50 and SC60 models; Stainless steel
	F8200601P	Front Panel	DC60, HC50, HC60, SC50 and SC60 models; Almond
	N/A	Front Panel	DC60, HC50, HC60, SC50 and SC60 models; White
	N/A	Front Panel	DC60, HC50, HC60, SC50 and SC60 models; Orange
9	F430956	Screw	

N/A = Part no longer available

Panels (Drawing 1 of 3)

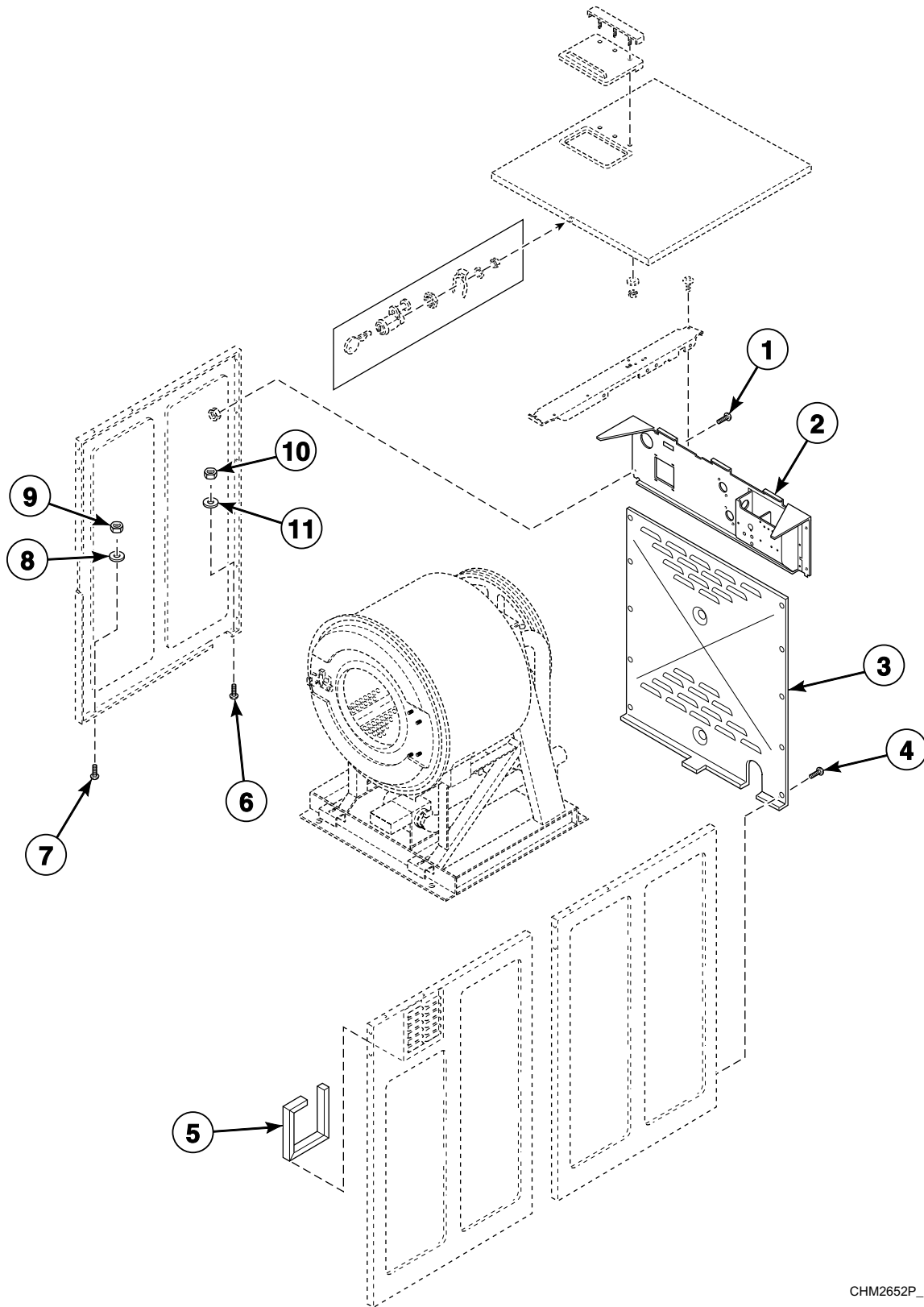


CHM2651P_F232194

Panels (Drawing 1 of 3)

REF	PART NO.	DESCRIPTION	COMMENTS
	802109	Cam Lock Assembly	
1	70155603	Key	RL003
2	F0190808-00P	Lid Lock Pin	
3	F431024	Nut	
4	F431147	Washer	
5	F200270500	Supply Dispenser Lid	Gray
6	F630430	Lid Clamp Assembly	
7	F063618900P	Top Cover Assembly	DC20, HC20, SC20 and UC20 models; Includes items 1-6
	F063659800P	Top Cover Assembly	HC25 and SC25 models; Includes items 1-6
	F063652000P	Top Cover Assembly	DC30, HC30, SC30 and UC30 models; Includes items 1-6
	F063664000P	Top Cover Assembly	DC40, HC40, SC40 and UC40 models; Includes items 1-6
	F063632700	Top Cover Assembly	HC50, SC50 and UC50 models; Includes items 1-6
	F063771200P	Top Cover Assembly	DC60, HC60, SC60 and UC60 models; Includes items 1-6
8	F430174	Screw	
9	F0636131-00	Cabinet Brace	DC20, HC20, SC20 and UC20 models
	F0636596-00	Cabinet Brace	HC25 and SC25 models
	F0636518-00	Cabinet Brace	DC30, HC30, SC30 and UC30 models
	F0636218-00	Cabinet Brace	DC40, HC40, SC40 and UC40 models
	F0636320-00	Cabinet Brace	HC50, SC50 and UC50 models
	F0637632-00	Cabinet Brace	DC60, HC60, SC60 and UC60 models

Panels (Drawing 2 of 3)



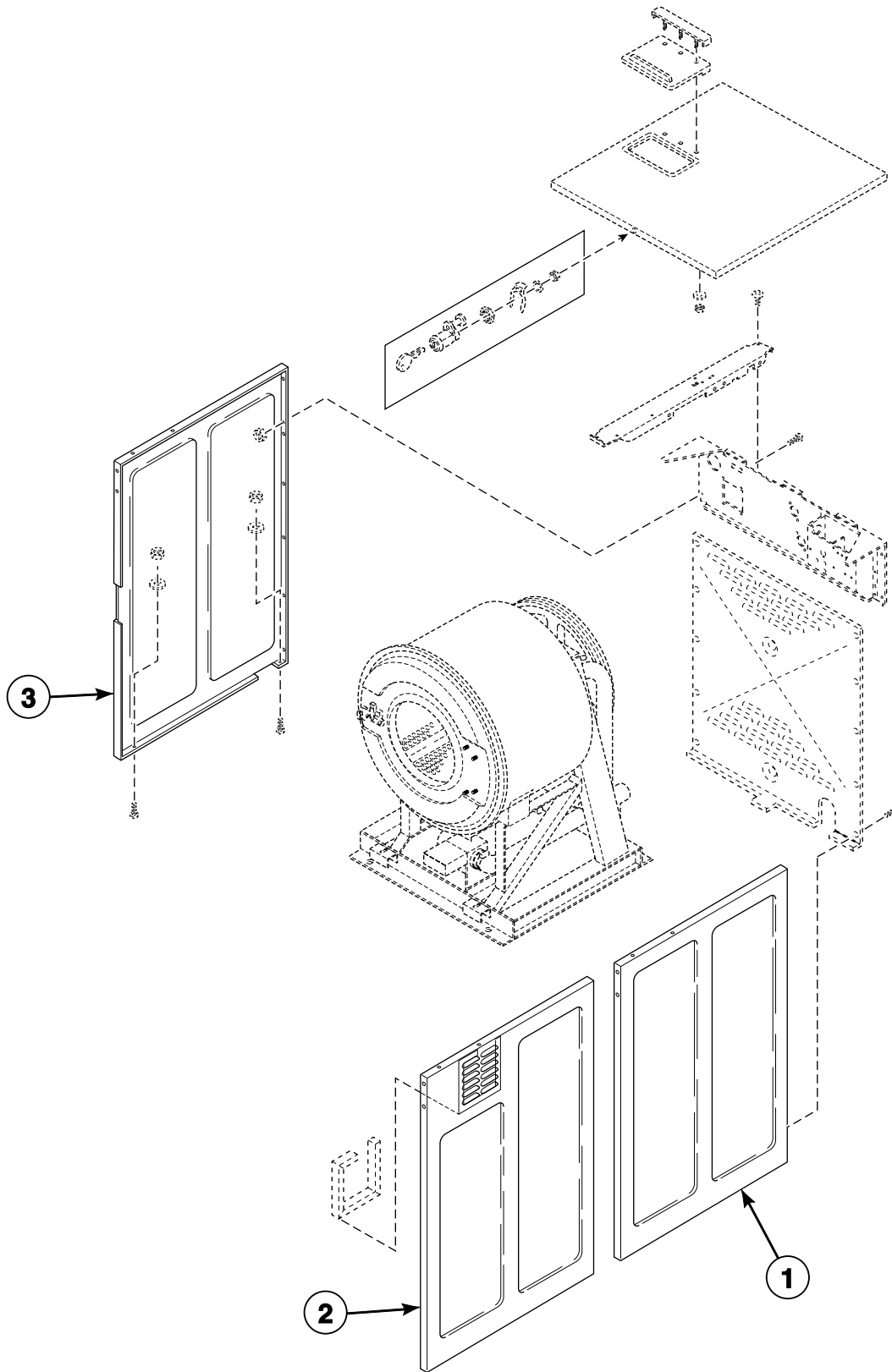
CHM2652P_F232194

Panels (Drawing 2 of 3)

REF	PART NO.	DESCRIPTION	COMMENTS
1	F430925	Screw	
2	F0636138-00	Valve Panel Assembly	DC20, HC20, HC25, SC20, SC25 and UC20 models; Standard models
	F0636138-01	Valve Panel Assembly	DC20, HC20, HC25, SC20, SC25 and UC20 models; Models with heat
	F0636521-00	Valve Panel Assembly	DC30, HC30, SC30 and UC30 models; Standard models
	N/A	Valve Panel Assembly	DC30, HC30, SC30 and UC30 models; Models with heat
	F0636524-01	Valve Panel Assembly	DC40, HC40, SC40 and UC40 models; Standard models
	F0636524-03	Valve Panel Sub-Assembly	DC40, HC40, SC40 and UC40 models; Models with heat
	F0636297-00	Valve Panel Assembly	DC60, HC50, HC60, SC50, SC60, UC50 and UC60 models; Standard models
	F0636297-01	Valve Panel Assembly	DC60, HC50, HC60, SC50, SC60, UC50 and UC60 models; Models with heat
3	F757000	Rear Panel Kit	DC20, HC20, SC20 and UC20 models; Includes item 4
	F757001	Rear Panel Kit	HC25 and SC25 models; Includes item 4
	F0636321-00P	Rear Panel	DC30, HC30, SC30 and UC30 models
	F0636220-00P	Rear Panel	DC40, HC40, SC40 and UC40 models
	F757002	Rear Panel Kit	HC50, SC50 and UC50 models; Includes item 4
	F200022900P	Rear Panel	DC60, HC60, SC60 and UC60 models
4	F430174	Screw	
5	F0100316-00P	Ventilation Seal	Variable and F-speed models
6	M400056	Screw	
7	F430107	Screw	
8	F0430348-00	Washer	
9	F431024	Nut	
10	F430233	Nut	
11	N/A	Washer	

N/A = Part no longer available

Panels (Drawing 3 of 3)

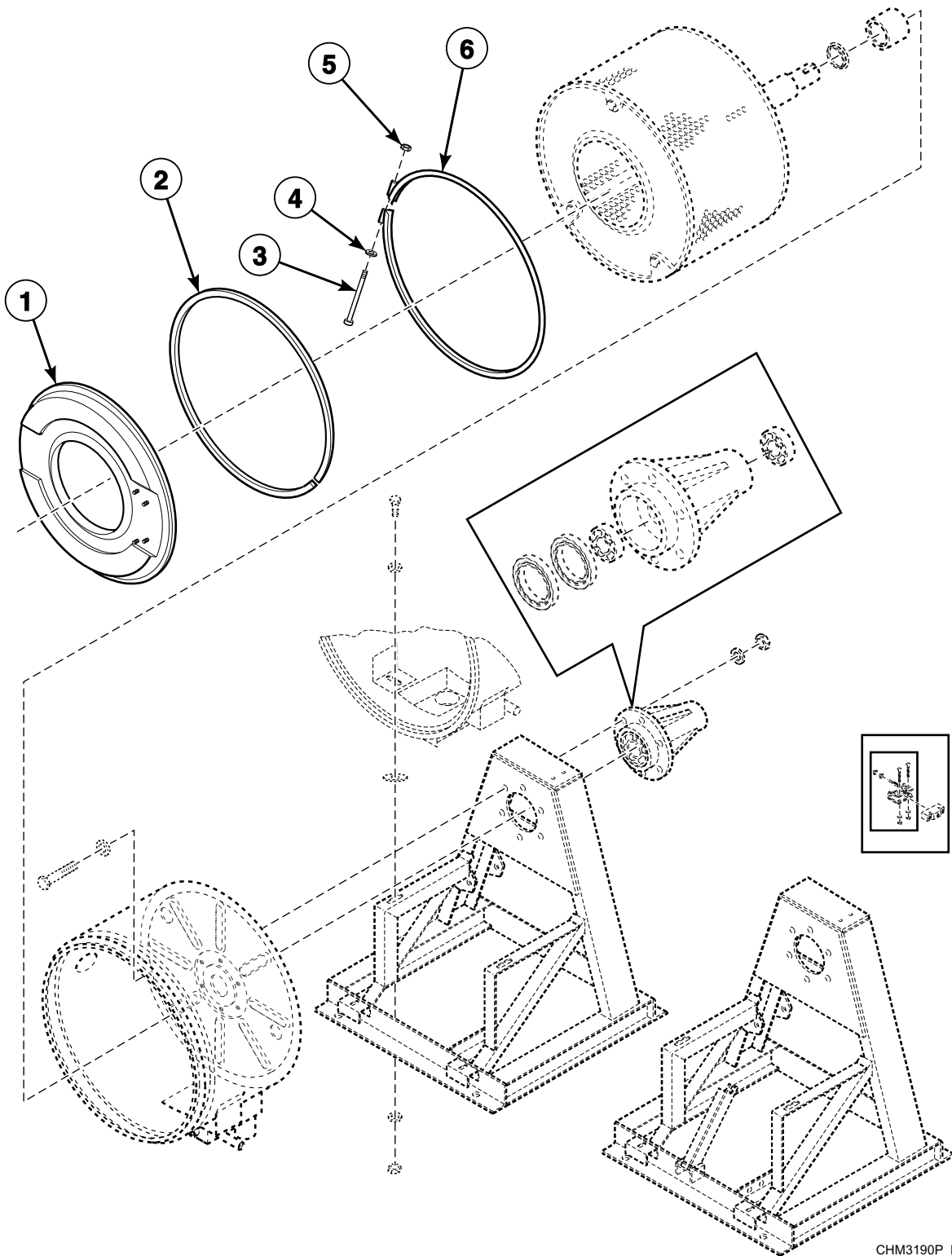


CHM2652PA_F232194

Panels (Drawing 3 of 3)

REF	PART NO.	DESCRIPTION	COMMENTS	
1	F0636135-00P	Right Side Panel	DC20, HC20, SC20 and UC20 2 speed models; Stainless steel	
	F0636594-00P	Right Side Panel	HC25 and SC25 models; Stainless steel	
	F0636515-00P	Side Panel	Right; DC30, HC30, SC30 and UC30 2 speed models; Stainless steel	
	F0635981-00P	Side Panel	Right; DC40, HC40, SC40 and UC40 2 speed models; Stainless steel	
	F0636300-00P	Side Panel	Right; HC50, SC50 and UC50 models; Stainless steel	
	F0637630-00P	Side Panel	Right; DC60, HC60, SC60 and UC60 2 speed models; Stainless steel	
	F8157301P	Right Side Panel	DC20, HC20, SC20 and UC20 2 speed models; Vinyl	
	F8156601	Right Side Panel	HC25 and SC25 models; Vinyl	
	F8155501P	Right Side Panel	DC30, HC30, SC30 and UC30 2 speed models; Vinyl	
	F8155701P	Right Side Panel	DC40, HC40, SC40 and UC40 2 speed models; Vinyl	
	F8160001	Right Side Panel	HC50, SC50 and UC50 models; Vinyl	
	F8160301P	Right Side Panel	DC60, HC60, SC60 and UC60 2 speed models; Vinyl	
	2	F200178900P	Side Panel Assembly	Right; Model HC20ACV; Stainless steel
		F8178001	Side Panel	Right; Model SC20ACV; Vinyl
F200178400		Panel Assembly	Right; Model HC30ACV; Stainless steel	
F200178200		Side Panel Assembly	Right; Models HC40ACV, SC40ANV and UC40ANV; Stainless steel	
F200171500P		Side Panel Assembly	Right; HC60, SC60 and UC60 variable and F-speed models; Stainless steel	
F8178101		Side Panel	Right; Model HC30ACV; Vinyl	
F8178201		Side Panel Assembly	Right; Models HC40ACV, SC40ANV and UC40ANV; Vinyl	
F8178401P		Side Panel Assembly	Right; HC60, SC60 and UC60 variable and F-speed models; Vinyl	
3	F0636136-00P	Left Side Panel	DC20, HC20, SC20 and UC20 models; Stainless steel	
	F0636595-00P	Left Side Panel	HC25 and SC25 models; Stainless steel	
	F0636516-00P	Side Panel	Left; DC30, HC30, SC30 and UC30 models; Stainless steel	
	F0635982-00P	Side Panel	Left; DC40, HC40, SC40 and UC40 models; Stainless steel	
	F0636299-00	Side Panel	Left; HC50, SC50 and UC50 models; Stainless steel	
	F0637628-00P	Side Panel	Left; DC60, HC60, SC60 and UC60 models; Stainless steel	
	F8157401P	Left Side Panel	DC20, HC20, SC20 and UC20 2 speed models; Vinyl	
	F8156701	Left Side Panel	HC25 and SC25 models; Vinyl	
	F8155601P	Left Side Panel	DC30, HC30, SC30 and UC30 2 speed models; Vinyl	
	F8155901P	Left Side Panel	DC40, HC40, SC40 and UC40 2 speed models; Vinyl	
	F8159901	Left Side Panel	HC50, SC50 and UC50 models; Vinyl	
	F8160101P	Left Side Panel	DC60, HC60, SC60 and UC60 2 speed models; Vinyl	

Shell Front

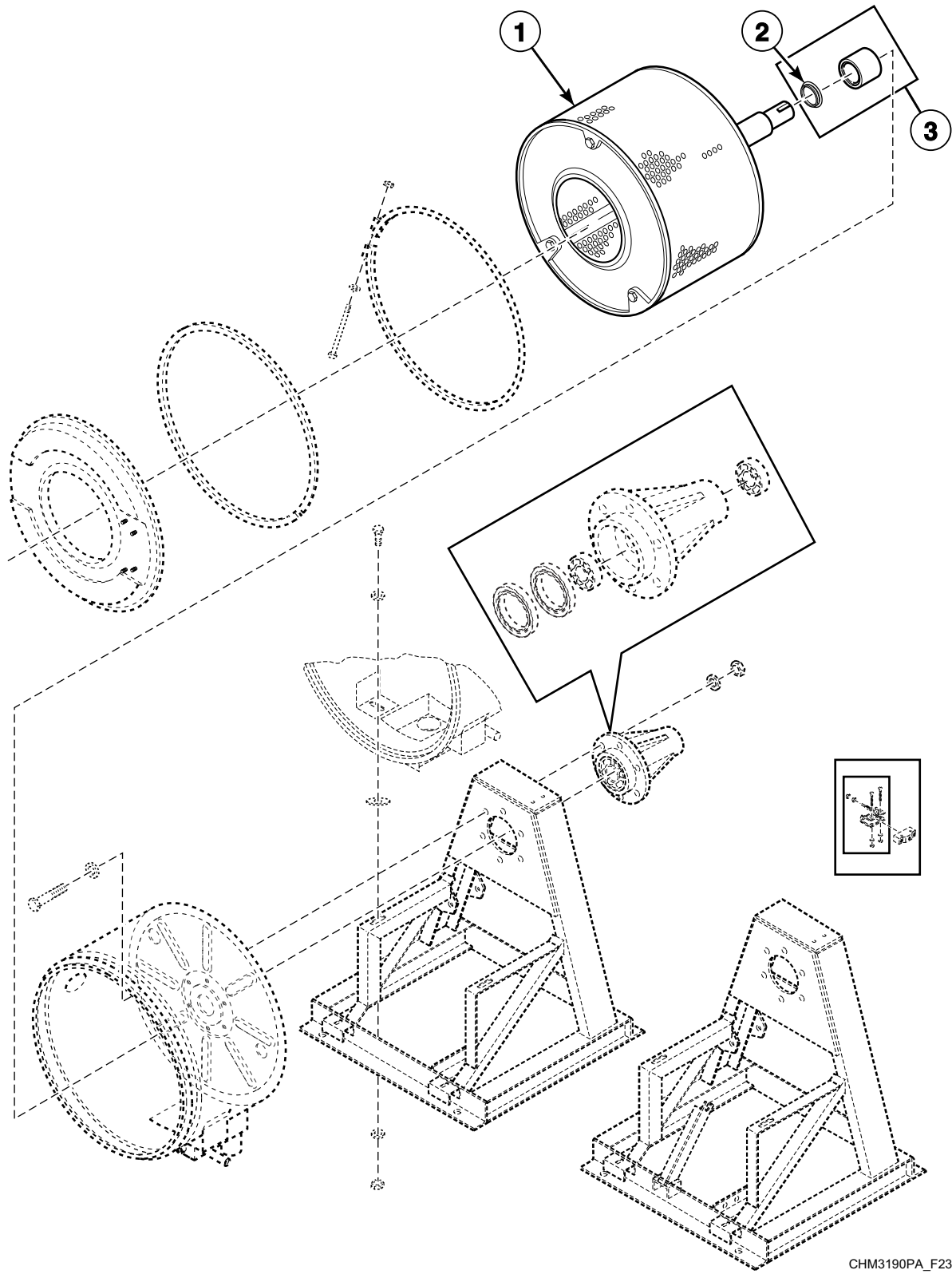


CHM3190P_F232194

Shell Front

REF	PART NO.	DESCRIPTION	COMMENTS
1	F741300P	Shell Front Kit	DC20, HC20, HC25, SC20, SC25 and UC20 models
	F632006P	Shell Front Assembly	DC30, HC30, SC30 and UC30 models
	F0636283-00P	Shell Front Assembly	DC40, HC40, SC40 and UC40 models
	F741302-01	Shell Front Kit	DC60, HC50, HC60, SC50, SC60, UC50 and UC60 models; Includes items 2-6
2	F792000	Shell Front Gasket Kit	
3	F430518	Screw	
4	F430317	Washer	
5	F430215	Nut	
6	F8537801	Shell Band Kit	DC20, HC20, HC25, SC20, SC25 and UC20 models; Includes items 3-5
	F8388002	Clamp Ring Assembly	DC30, HC30, SC30 and UC30 models
	F8537803	Shell Band Kit	DC40, HC40, SC40 and UC40 models; Includes items 3-5
	F8537804	Shell Band Kit	DC60, HC50, HC60, SC50, SC60, UC50 and UC60 models; Includes items 3-5

Basket - 20, 25 and 30 Pound Models

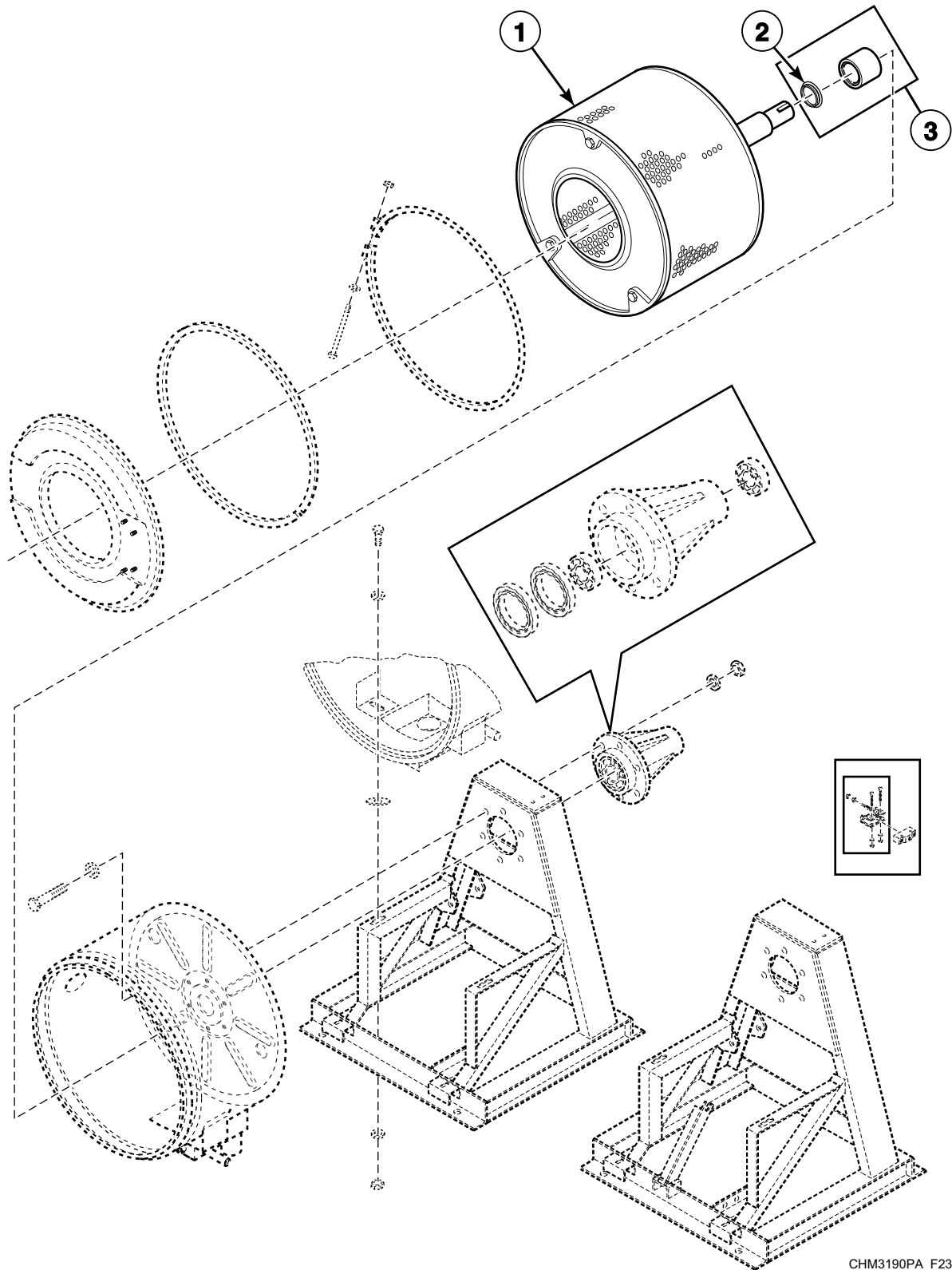


CHM3190PA_F232194

Basket - 20, 25 and 30 Pound Models

REF	PART NO.	DESCRIPTION	COMMENTS
	389P4	Basket Tool Kit	Purchase; Use with F935P3 and F936P3 Pressfit Upgrade Kits; Requires F460129 Bearing Puller Tool
	390P4-1	Basket Rental Tool Kit	Use with F935P3 and F936P3 Pressfit Upgrade Kits; Requires F460129 Bearing Puller Tool
1	F935P3	Pressfit Upgrade Kit	DC20, HC20, SC20 and UC20 models; Includes items 2 and 3, F8391302 Basket Assembly and F747001 Trunnion Kit; Models that have not been upgraded with F935P3 Pressfit Upgrade Kit
	F8391302	Basket Assembly	DC20, HC20, SC20 and UC20 models; Models that have been upgraded with F935P3 Pressfit Upgrade Kit; Includes items 2 and 3
	F8391305P	Basket Assembly	HC25 and SC25 models; Includes item 3; 21 inch diameter
	F936P3	Pressfit Upgrade Kit	DC30, HC30, SC30 and UC30; Includes items 2 and 3, F8391502 Basket Assembly and F747002 Trunnion Kit
	F8347901P	Basket Assembly	DC30, HC30, SC30 and UC30 2 speed models; Models that have been upgraded with F936P3 Pressfit Upgrade Kit; Includes items 2 and 3
	F8391502	Basket Assembly	DC30, HC30, SC30 and UC30 2 speed models; Models that have been upgraded with F936P3 Pressfit Upgrade Kit; Includes items 2 and 3; Replaces F8347901P Basket Assembly
	F8123701	Basket Assembly	HC30 variable-speed models; Includes item 3
2	F8336801	Excluder Seal	DC20, HC20, SC20 and UC20 models; Models that have been upgraded with F935P3 Pressfit Upgrade Kit
	F100208	Shaft Seal	DC20, HC20, SC20 and UC20 models; Models that have been upgraded with F935P3 Pressfit Upgrade Kit
	F8336901	Excluder Seal	DC30, HC30, SC30 and UC30 2 speed models; Models that have been upgraded with F936P3 Pressfit Upgrade Kit
3	F8312001P	Shaft Seal Sleeve	DC20, HC20, SC20 and UC20 models starting 11/7/06 that have not been upgraded with F935P3 Pressfit Upgrade Kit; HC25 and SC25 models
	F8312002P	Shaft Seal Sleeve	HC20, SC20 and UC20 models; Models through 11/6/06 that have not been upgraded with F935P3 Pressfit Upgrade Kit
	F8343901P	Shaft Seal Sleeve Kit	DC20, HC20, SC20 and UC20 models; Models that have been upgraded with F935P3 Pressfit Upgrade Kit; Includes item 2
	F8312004P	Shaft Seal Sleeve	DC30, HC30, SC30 and UC30 2 speed models; Models that have not been upgraded with F936P3 Pressfit Upgrade Kit
	F8343904P	Shaft Seal Sleeve Kit	DC30, HC30, SC30 and UC30 2 speed models; Models that have been upgraded with F936P3 Pressfit Upgrade Kit; Includes item 2
	F8312005P	Shaft Seal Sleeve	HC30 variable-speed models

Basket - 40, 50 and 60 Pound Models

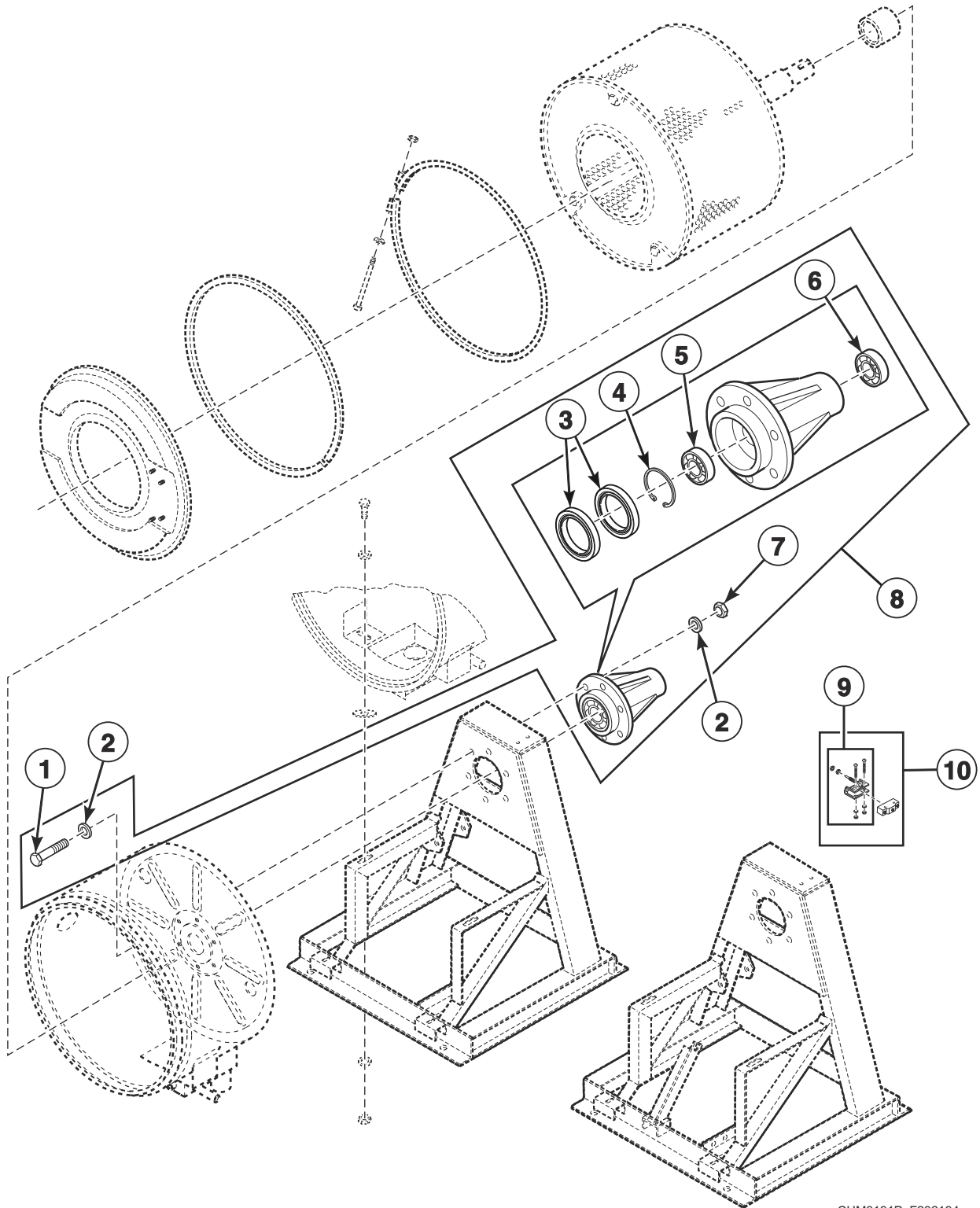


CHM3190PA_F232194

Basket - 40, 50 and 60 Pound Models

REF	PART NO.	DESCRIPTION	COMMENTS
	389P4	Basket Tool Kit	Purchase; Use with F938P3, F939P3 and F942P3 Pressfit Upgrade Kits; Requires F460129 Bearing Puller Tool
	390P4-1	Basket Rental Tool Kit	Use with F938P3, F939P3 and F942P3 Pressfit Upgrade Kits; Requires F460129 Bearing Puller Tool
1	F938P3	Pressfit Upgrade Kit	DC40, HC40, SC40 and UC40 models; Includes items 2 and 3, F8336301P Basket Assembly and F747003 Trunnion Kit
	F8391702	Basket Assembly	DC40, HC40, SC40 and UC40 models; Models that have been upgraded with F938P3 Pressfit Upgrade Kit; Includes items 2 and 3
	F942P3	Pressfit Upgrade Kit	HC50, SC50 and UC50 models; Includes items 2 and 3, F850283 Basket Assembly and F747005 Trunnion Kit; Replaces F603900-1 Basket Assembly
	F8502803	Basket Assembly	HC50, SC50 and UC50 models; Models that have been upgraded with F942P3 Pressfit Upgrade Kit; Includes items 2 and 3; Replaced by F8502803 Basket Assembly starting 8/18/14
	F603900-1	Basket Assembly	HC50, SC50 and UC50 models; Includes item 3
	F939P3	Pressfit Upgrade Kit	DC60, HC60, SC60 and UC60 models; Includes items 2 and 3, F8336501 Basket Assembly and F747005 Trunnion Kit
	F8502802	Basket Assembly	DC60, HC60, SC60 and UC60 models; Models that have been upgraded with F939P3 Pressfit Upgrade Kit; Includes items 2 and 3
2	F8749305	Excluder Seal	DC40, HC40, SC40 and UC40 models; Models that have been upgraded with F938P3 Pressfit Upgrade Kit
	F8749307	Excluder Seal	DC60, HC50, HC60, SC50, SC60, UC50 and UC60 models; Models that have been upgraded with F942P3 Pressfit Upgrade Kit or F939P3 Pressfit Upgrade Kit; Includes items 2 and 3
3	F8312003P	Shaft Seal Sleeve	DC40, HC40, SC40 and UC40 models; Models through 10/14/07 that have not been upgraded with F938P3 Pressfit Upgrade Kit
	F8312005P	Shaft Seal Sleeve	DC40, HC40 and SC40 models starting 10/15/07 through 3/31/08 that have not been upgraded with F938P3 Pressfit Upgrade Kit
	F8312006P	Shaft Seal Sleeve	DC40, HC40, SC40 and UC40 models; Models starting 4/1/08 that have not been upgraded with F938P3 Pressfit Upgrade Kit
	F8343906P	Shaft Seal Sleeve Kit	DC40, HC40, SC40 and UC40 models; Models that have been upgraded with F938P3 Pressfit Upgrade Kit; Includes item 2
	F8312008P	Shaft Seal Sleeve	HC50, SC50 and UC50 models; Models that have not been upgraded with F942P3 Pressfit Upgrade Kit
	F8343914	Shaft Seal Sleeve	HC50, SC50 and UC50 models; Models that have been upgraded with F942P3 Pressfit Upgrade Kit; Use with F8502803 Basket Assembly; Includes items 2 and 3
	F8343909P	Shaft Seal Sleeve Kit	DC60, HC50, HC60, SC50, SC60, UC50 and UC60 models; Models that have been upgraded with F942P3 Pressfit Upgrade Kit; Use with F8438401 Basket Assembly; Includes item 2

Trunnion - 20, 25 and 30 Pound Models

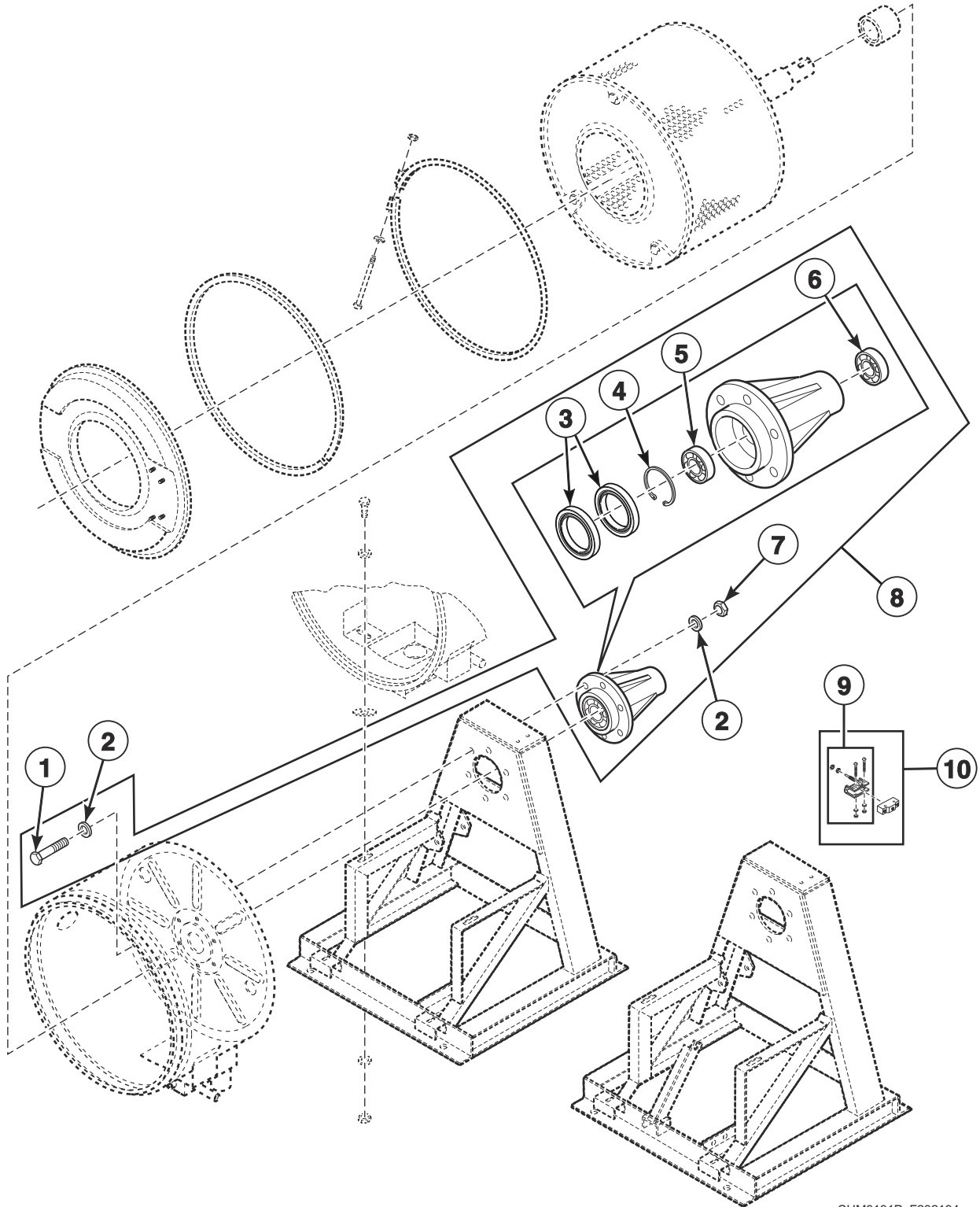


CHM3191P_F232194

Trunnion - 20, 25 and 30 Pound Models

REF	PART NO.	DESCRIPTION	COMMENTS
	RB100001	Bearing Kit	HC20, SC20 AND UC20 models; Starting serial number 0611; Includes items 1-3, 5-7, F792000 Shell Front Gasket Kit, F812P3 Kit and F8312001 Shaft and Seal Sleeve
	RB100002	Bearing Kit	HC30, SC30 UC30 models; Includes items 1, 3, 5-6, F431131 Washer, F430240 Nut, F792000 Shell Front Gasket, F813P3 Kit and F8312004 Shaft Seal Sleeve
1	F430949	Screw	20 and 25 pound models
	F430987	Screw	30 pound models
2	F431128	Washer	
3	F8203801	Triple Lip Seal	20 and 25 pound models
	F8203802	Triple Lip Seal	30 pound models
4	F8344901	Retaining Ring	20 pound models; Models that have been upgraded with F935P3 Pressfit Upgrade Kit
	F8345001	Retaining Ring	DC30, HC30, SC30 and UC30 2 speed models; Models that have been upgraded with F936P3 Pressfit Upgrade Kit
5	F100137P	Bearing	20 pound models starting 11/7/06; HC30 variable-speed models; HC25 and SC25 models; 6308 2RS C3
	F100109P	Motor Bearing	HC20, SC20 and UC20 models; Models through 11/6/06
	F100123P	Bearing	HC30, SC30 and UC30 2 speed models; 6309 2RS
6	F100108	Bearing	HC20, SC20 and UC20 models through 11/6/06; DC30, HC30, SC30 and UC30 2 speed models; 6208-2RS C3
	F100136P	Bearing	20 pound models starting 11/7/06; HC25 and SC25 models; 6307 2RS C3
	F100134	Bearing	HC30 variable-speed models; 6310 2RS C3
7	F430239	Nut	
8	F747001	Trunnion Kit	DC20, HC20, SC20 and UC20 models starting 10/15/07 that have been upgraded with F935P3 Pressfit Upgrade Kit; Models that have not been upgraded MUST order F935P3 Pressfit Upgrade Kit; HC25 and SC25 models; Includes items 1-7 and F792000 Shell Front Gasket Kit
	F747002	Trunnion Kit	DC30, HC30, SC30 and UC30 2 speed models; Includes items 1-7 and F792000 Shell Front Gasket Kit
	F747003	Trunnion Kit	Models HC30ACV and HC30AYV; Includes items 1-7 and F792000 Shell Front Gasket Kit
9	F340901	Switch	Models HC20ACV and HC30ACV
10	F340913	Switch Extension	Models HC20ACV and HC30ACV

Trunnion- 40 and 50 Pound Models

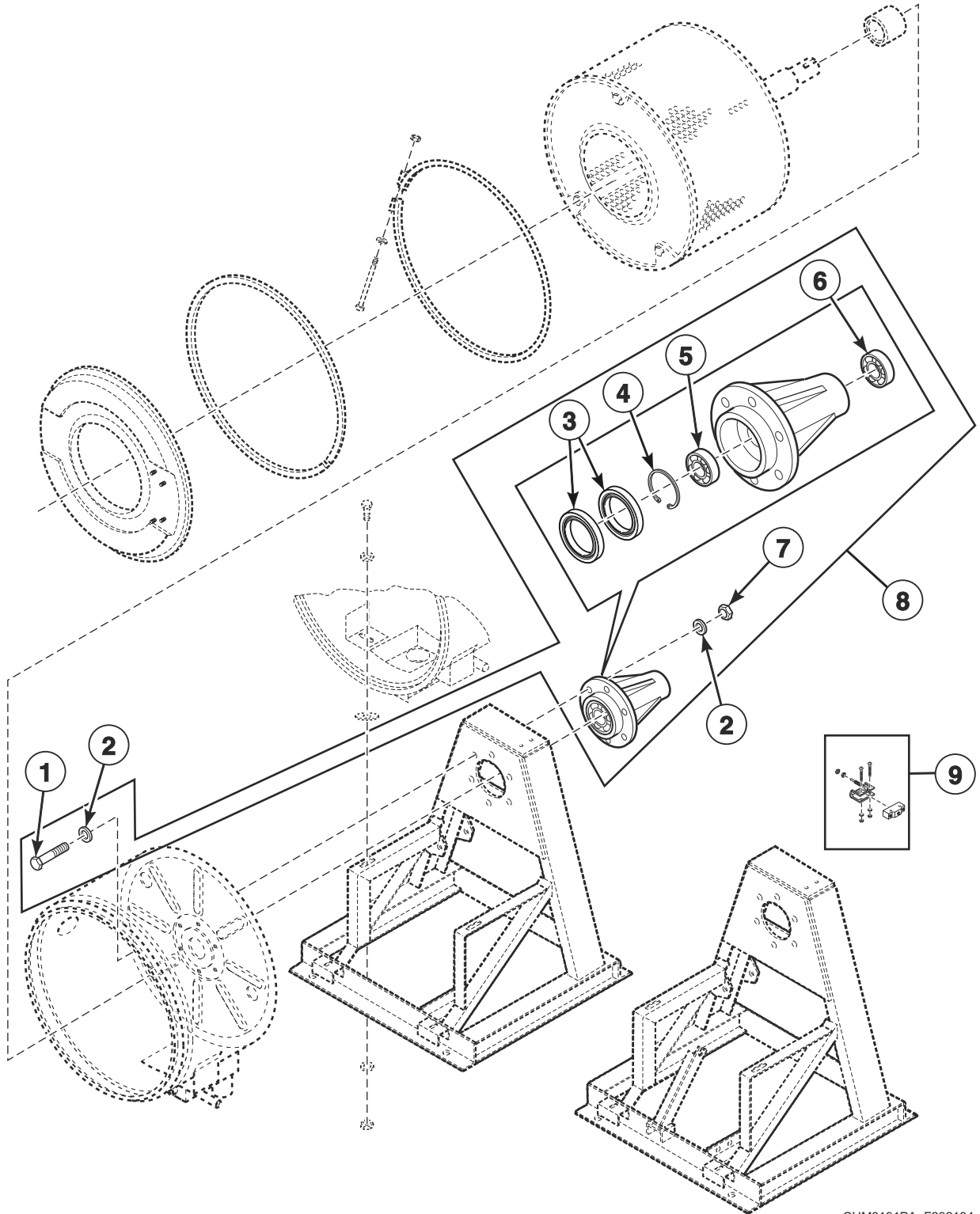


CHM3191P_F232194

Trunnion- 40 and 50 Pound Models

REF	PART NO.	DESCRIPTION	COMMENTS
	RB100003	Bearing Kit	HC40, SC40 and UC40 models; Before serial number 0710; Includes items 1-3, 5-7, F792000 Shell Front Gasket Kit, F813P3 and F8312003 Shaft Seal Sleeve
	RB100004	Bearing Kit	HC40, SC40 and UC40 models; Starting serial number 0710; Includes items 1-3, 5-7, F792000 Shell Front Gasket Kit, F813P3 and F8312005 Shaft Seal Sleeve
	F938P3	Pressfit Upgrade Kit	40 pound models; Includes F792000 Shell Front Gasket Kit, F8335601 Bearing Housing Assembly, F8391702 Basket Assembly and hardware
	RB100005	Bearing Kit	50 pound models; Starting serial number 0710; Includes items 1-3, 5-7, F792000 Shell Front Gasket Kit, F813P3 and F8312008 Shaft Seal Sleeve
	F942P3	Pressfit Upgrade Kit	50 pound models; Includes F792000 Shell Front Gasket Kit, F8335701 Bearing Housing Assembly, F8502803 Basket Assembly and hardware
1	F430987	Screw	
2	F431131	Washer	
3	F8203802	Triple Lip Seal	40 pound models through 10/14/07
	F8203803	Triple Lip Seal	40 pound models; Models that have been upgraded with F938P3 Pressfit Upgrade Kit or models starting 10/15/07
	F8203805	Triple Lip Seal	50 pound models; Models that have not been upgraded with F942P3 Pressfit Upgrade Kit
	F8203806	Triple Lip Seal	50 pound models that have been upgraded with F942P3 Pressfit Upgrade Kit
4	F8337801	Retaining Ring	40 pound models; Models that have been upgraded with F938P3 Pressfit Upgrade Kit
5	F100123P	Bearing	40 pound models through 10/14/07; HC50, SC50 and UC50 models; 6309 2RS
	F100134	Bearing	40 pound models; Models through 10/14/07 that have been retrofitted with F938P3 Pressfit Upgrade Kit or models starting 10/15/07
6	F100108	Bearing	HC40, SC40 and UC40 models through 10/14/07; 6208-2RS C3
	F100137P	Bearing	40 pound models; Models through 10/14/07 that have been retrofitted with F938P3 Pressfit Upgrade Kit or models starting 10/15/07
	F100122	Bearing	50 pound models; 6312 2RS C3
7	F430240	Nut	
8	F747002	Trunnion Kit	40 pound models that have not been upgraded with F938P3 Pressfit Upgrade Kit; Includes items 1-7 and F792000 Shell Front Gasket Kit
	F747003	Trunnion Kit	40 pound models; Models starting 10/15/07 that have been upgraded with F938P3 Pressfit Upgrade Kit; Includes items 1-7 and F792000 Shell Front Gasket Kit
	F747005	Trunnion Kit	50 pound models that have been upgraded with F942P3 Pressfit Upgrade Kit; Models that have not been upgraded MUST order F942P3 Pressfit Upgrade Kit; Includes items 1-7 and F792000 Shell Front Gasket Kit
9	F340901	Switch	Model HC40ACV
10	F340913	Switch Extension	Model HC40ACV

Trunnion- 60 Pound Models

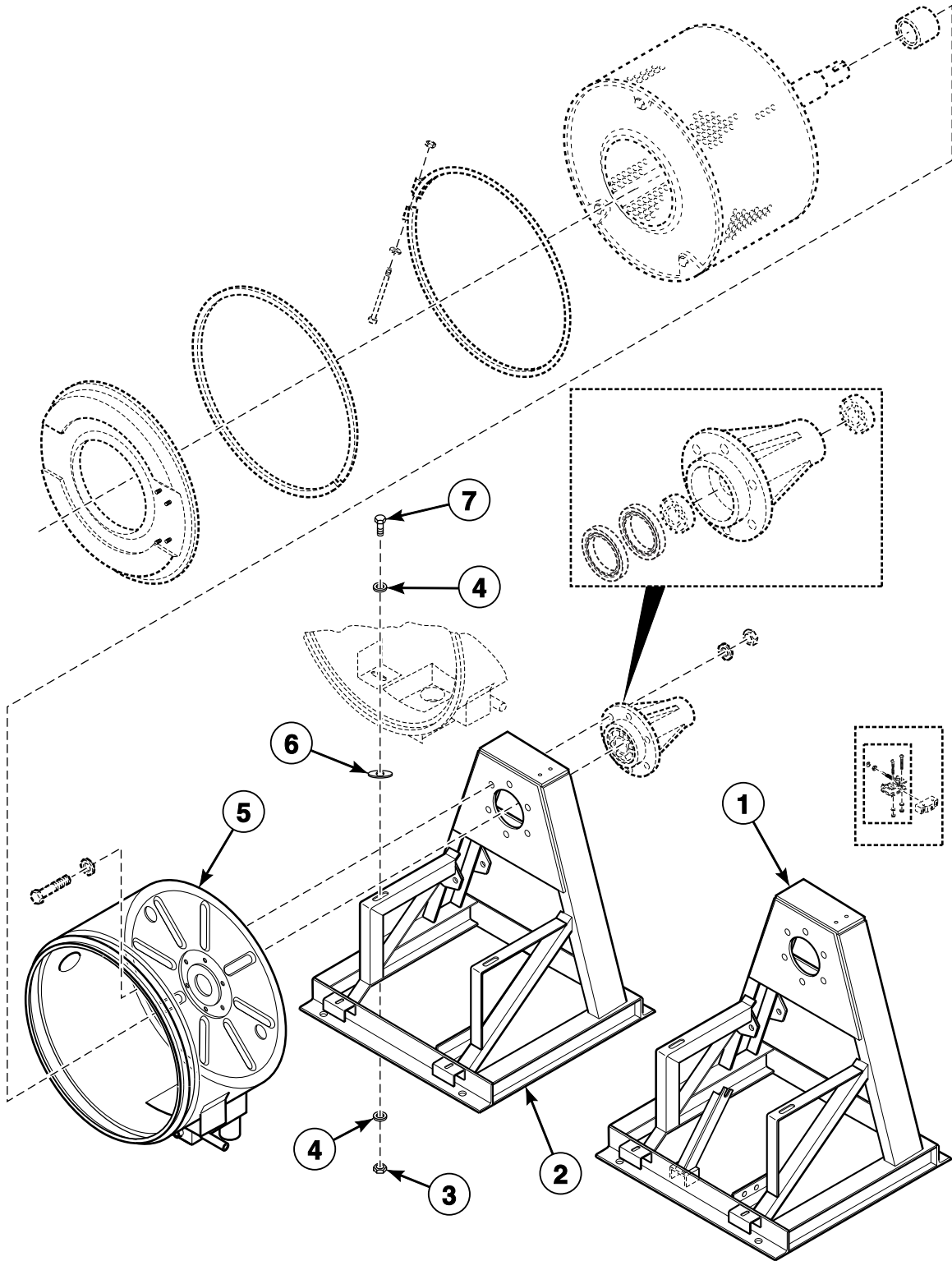


CHM3191PA_F232194

Trunnion- 60 Pound Models

REF	PART NO.	DESCRIPTION	COMMENTS
	RB100006	Bearing Kit	HC60, SC60 and UC60 models; Starting serial number 0710; Includes items 1-3, 5-7, F792000 Shell Front Gasket Kit, F813P3 and F8343909 Shaft Seal Sleeve
1	F430987	Screw	
2	F431131	Washer	
3	F8203806	Triple Lip Seal	
4	F8337901	Retaining Ring	Models that have been upgraded with F939P3 Pressfit Upgrade Kit
5	F100123P	Bearing	DC6 models; 6309 2RS
	F100135	Bearing	6313 2RS C3
6	F100134	Bearing	6310 2RS C3
7	F430240	Nut	
8	F747005	Trunnion Kit	Includes items 1-7 and F792000 Shell Front Gasket Kit
9	F340900	Interlock Switch	Model HC60ACV

Shell and Frame



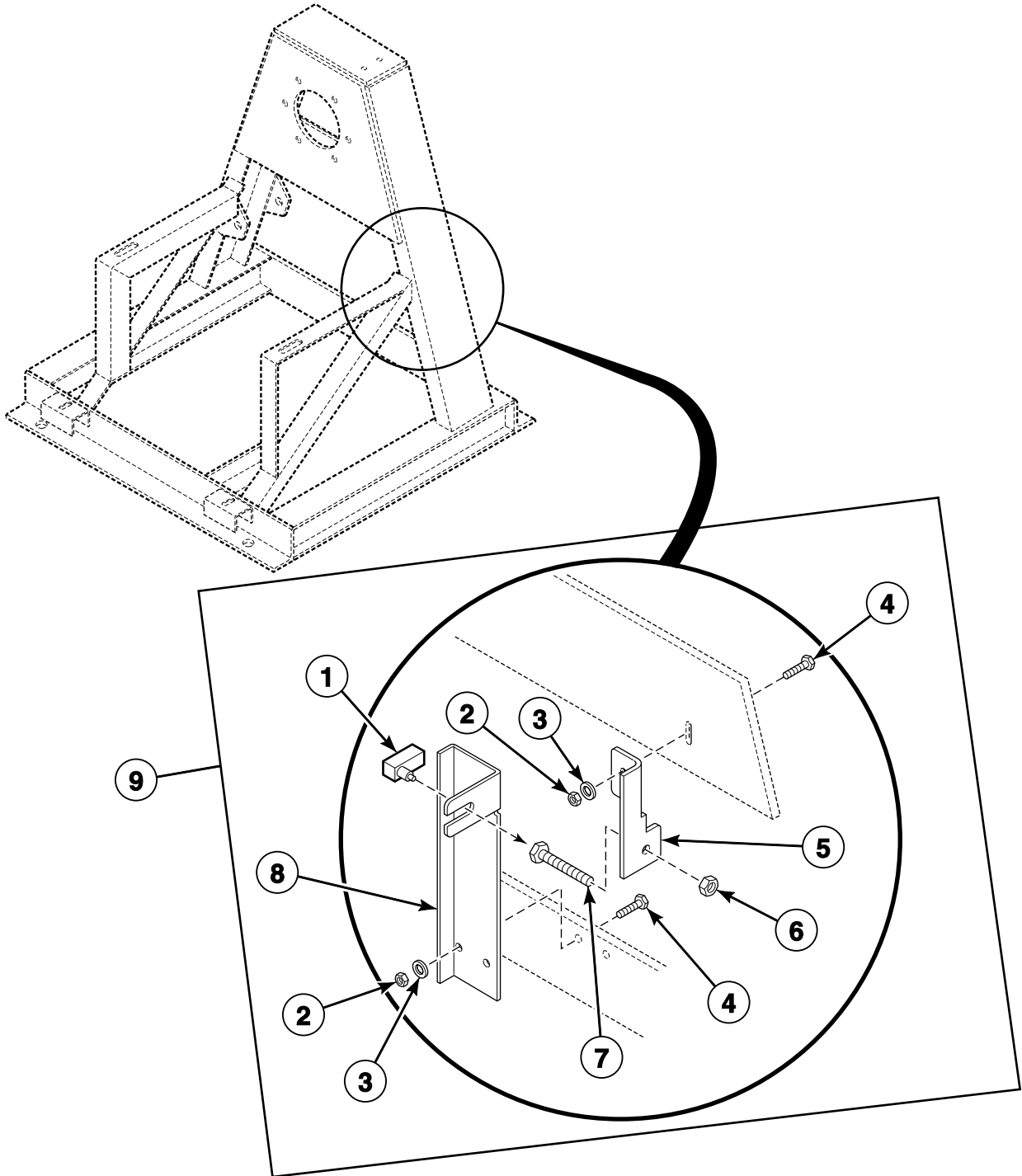
CHM2963P_F232194

Shell and Frame

REF	PART NO.	DESCRIPTION	COMMENTS
1	F633950	Frame Assembly	Model HC20ACV
	F634291	Frame Assembly	Model HC30ACV
	F200195301	Frame Weldment	Model HC40ACV; Standard models starting 1/26/06
	F200195302	Frame Weldment	Model HC40ACV; Models with heat option starting 1/26/06
	F0636108-01	Frame Weldment	Model HC40ACV; Standard models through 1/25/06
	N/A	Frame Assembly	Model HC40ACV; Models with heat option through 1/25/06
	F0637645-01	Frame Assembly	HC60, SC60 and UC60 variable and F-speed models
2	F607003	Frame Assembly	DC20, HC20, SC20 and UC20 2 speed models
	F606178	Frame Assembly	HC25 and SC25 models
	F630232	Frame Assembly	DC30, HC30, SC30 and UC30 2 speed models
	F0636108-00	Frame Weldment	HC40, SC40 and UC40 2 speed models; Models through 1/25/05
	F200195300	Frame Weldment	DC40, HC40, SC40 and UC40 2 speed models; Models starting 1/26/05
	F607005	Frame Assembly	HC50, SC50 and UC50 models
	F0637645-00	Frame Assembly	DC60, HC60, SC60 and UC60 2 speed models
3	F430218	Nut	
4	M400081	Washer	
5	F063638801	Shell Weldment	DC20, HC20, SC20 and UC20 models; Standard
	F0636601-00	Shell Weldment	DC20, HC20, SC20 and UC20 models; All voltages except E-voltage; Heat option
	F0637054-00	Shell Weldment	DC20, HC20, SC20 and UC20 models; E-voltage; Heat option
	F063659201	Shell Weldment	HC25 and SC25 models; Standard
	F0636700-00	Shell Weldment	HC25 and SC25 models; Heat option
	F0636555-00	Shell Weldment	DC30, HC30, SC30 and UC30 models; Standard
	F0636704-00	Shell Weldment	DC30, HC30, SC30 and UC30 models; Heat option
	F063597402P	Shell Weldment	HC40, SC40 and UC40 models; Standard models through 1/25/05
	F200195402	Shell Weldment	DC40, HC40, SC40 and UC40 models; Standard models starting 1/26/05
	F200195400	Shell Weldment	HC40, SC40 and UC40 OPL models; Models with heat
	F8196202	Shell Weldment	DC40, HC40, SC40 and UC40 models; Heat option; Centered top hole in back of shell
	F200199700	Shell Weldment	DC40, HC40, SC40 and UC40 models with heat through 1/25/05; No center top hole in back of shell
	F0636460-00	Shell Weldment	HC50, SC50 and UC50 models; Standard
	F0636747-00	Shell Weldment	HC50, SC50 and UC50 models; Heat option
	F0637659-00	Shell Weldment	DC60, HC60, SC60 and UC60 models; Standard
F0637661-00	Shell Weldment	DC60, HC60, SC60 and UC60 models; Heat option	
6	F430303	Washer	HC50, SC50 and UC50 models
7	F430942	Screw	

N/A = Part no longer available

Balance Switch - HC60, SC60 and UC60 Variable-Speed Models

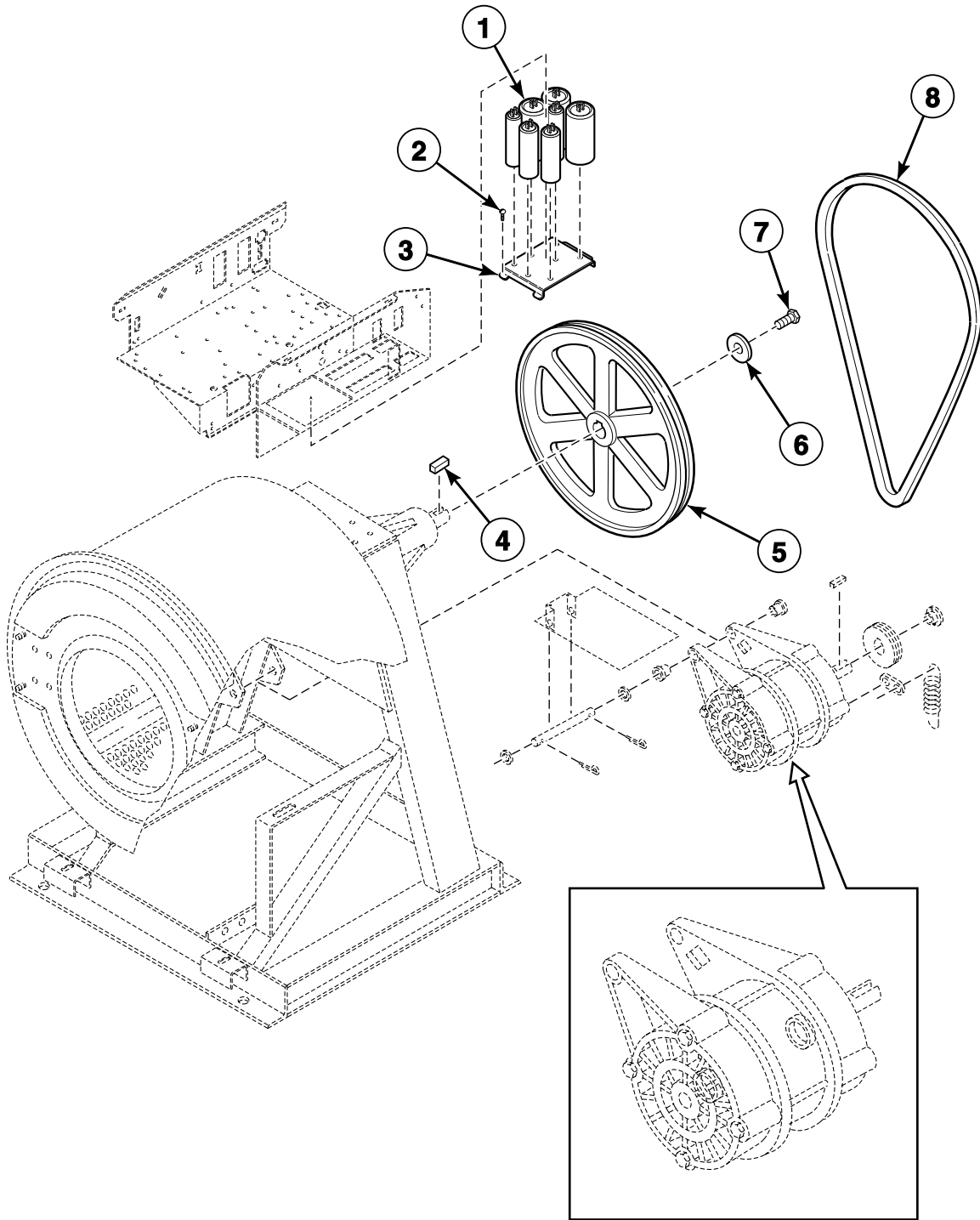


CHM2400P_F232194

Balance Switch - HC60, SC60 and UC60 Variable-Speed Models

REF	PART NO.	DESCRIPTION	COMMENTS
1	F340900	Interlock Switch	
2	F430233	Nut	
3	M400080	Washer	
4	F430104	Screw	
5	F200027400	Upper Out-of-Balance Switch Bracket	
6	F431001	Nut	
7	F430124	Screw	
8	F200023000	Lower Out-of-Balance Switch Bracket	
9	F200023100	Out-of-Balance Mounting Bracket Assembly	Includes items 1-8

Pulley, Belt and Capacitors - 20, 25 and 30 Pound Capacity Models



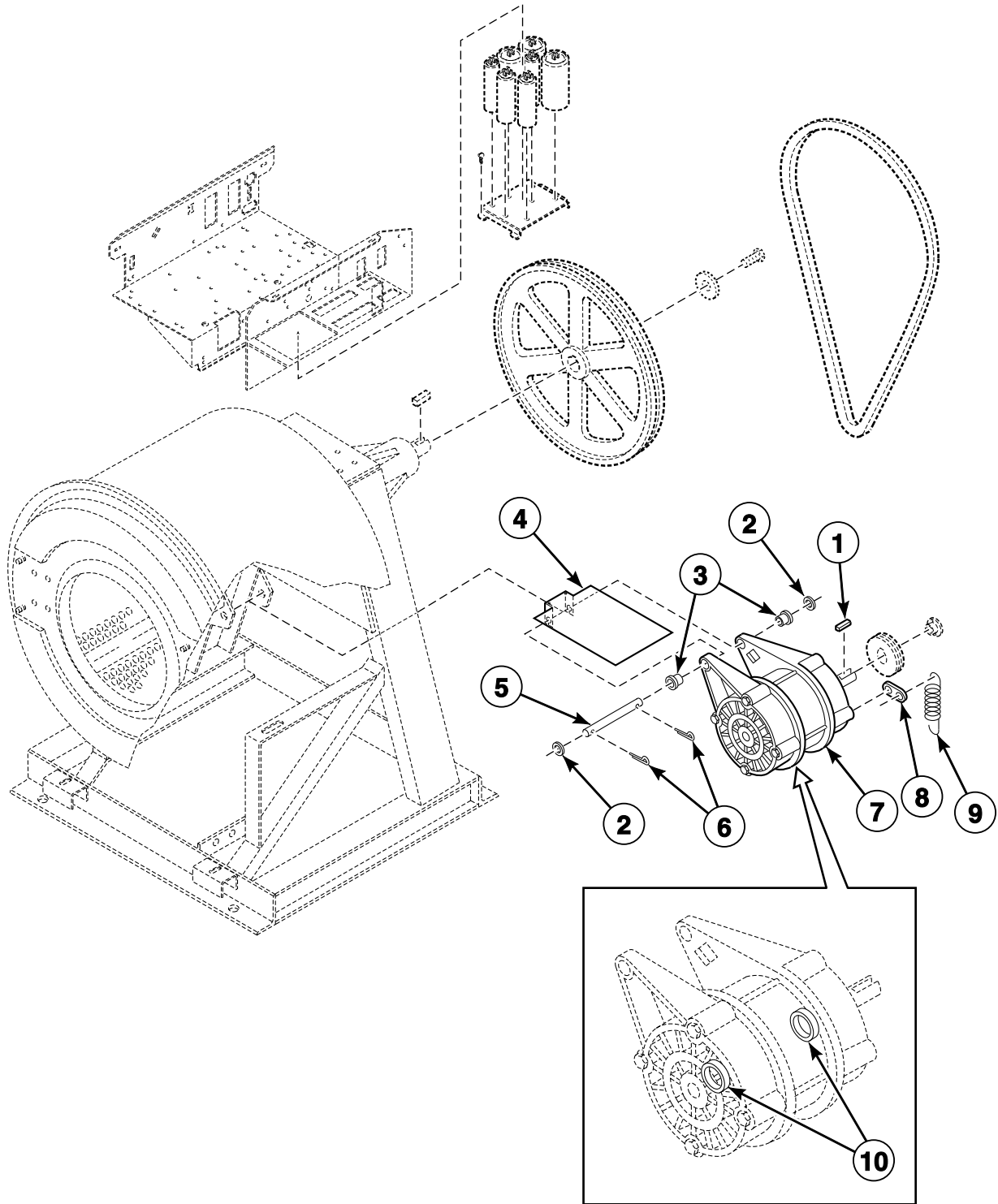
CHM2635P_F232194

Pulley, Belt and Capacitors - 20, 25 and 30 Pound Capacity Models

REF	PART NO.	DESCRIPTION	COMMENTS
1	F370230	Capacitor	10 Microfarad; 1 Phase models; HC25, HC30, SC25, SC30 and UC30 2 speed models; E-voltage models with Elmo motors and the pump drain option - 2 used
	F370224P	Capacitor	20 Microfarad; 1 Phase models; HC25, HC30, SC25, SC30 and UC30 2 speed Y-voltage models with Elmo motors - 4 used; HC25, HC30, SC25, SC30 and UC30 2 speed E-voltage models with Elmo motors - 3 used
	F8411801	Capacitor	25 Microfarad; 1 Phase models; HC20, SC20 and UC20 2 speed models; Y-voltage models with Elmo motors - 1 used
	F8411901	Capacitor	50 Microfarad; 1 Phase models; HC20, SC20 and UC20 2 speed models; Y-voltage models with Elmo motors - 1 used
	F370221	Capacitor	100 Microfarad; 1 Phase models; HC20, SC20 and UC20 2 speed B-voltage models with Elmo motors - 2 used; HC25, HC30, SC25, SC30 and UC30 2 speed E-voltage models with Elmo motors - 2 used
	F370220	Capacitor	130 Microfarad; 1 Phase models; HC20, SC20 and UC20 2 speed B-voltage models with Elmo motors - 1 used; HC25, HC30, SC25, SC30 and UC30 2 speed Y-voltage models with Elmo motors - 1 used
	2	N/A	Screw
3	F0637425-00	Capacitor Mounting Plate	
4	F430801	Key	
5	F280168	Pulley	DC20, HC20, SC20 and UC20 2 speed models; HC25 and SC25 models
	F280172	Sheave Pulley	DC30, HC30, SC30 and UC30 2 speed models
	F150270	Basket Pulley	HC20 variable-speed models
	F150269	Basket Pulley	HC30 variable-speed models
6	F0431159-00	Washer	
7	F430927	Screw	
	F430100	Screw	DC20, HC20, SC20 and UC20 models that have been upgraded with F935P3 Pressfit Upgrade Kit
8	F280343	Belt	DC20, HC20, SC20 and UC20 2 speed models; C, D, G, and J-voltage; E-voltage models with heat; 3V-730
	F028038000P	Belt	DC20, HC20, SC20 and UC20 2 speed E-voltage models; 3V-720; Replaces F280343 Belt; HC25 and SC25 E-voltage models; 3V-720; Replaces F280337 Belt
	F280337	Belt	DC20, HC20, SC20 and UC20 2 speed models; B, F, H, L, O and Y-voltage; 3V-710
	F280343	Belt	DC20, HC20, SC20 and UC20 2 speed models; F, H and O-voltage models with heat; 3V-730; Replaces F280337 Belt
	F8382801	Belt	HC20 and SC20 variable-speed models
	F280368P	Belt	HC30 variable-speed models
	F280337	Belt	HC25 and SC25 models; C, D, F, H, J, O and Y-voltage; 3V-710
	F280321	Belt	DC30, HC30, SC30 and UC30 2 speed models; 3V-800

N/A = Part no longer available

Motor - 20 Pound Capacity Models



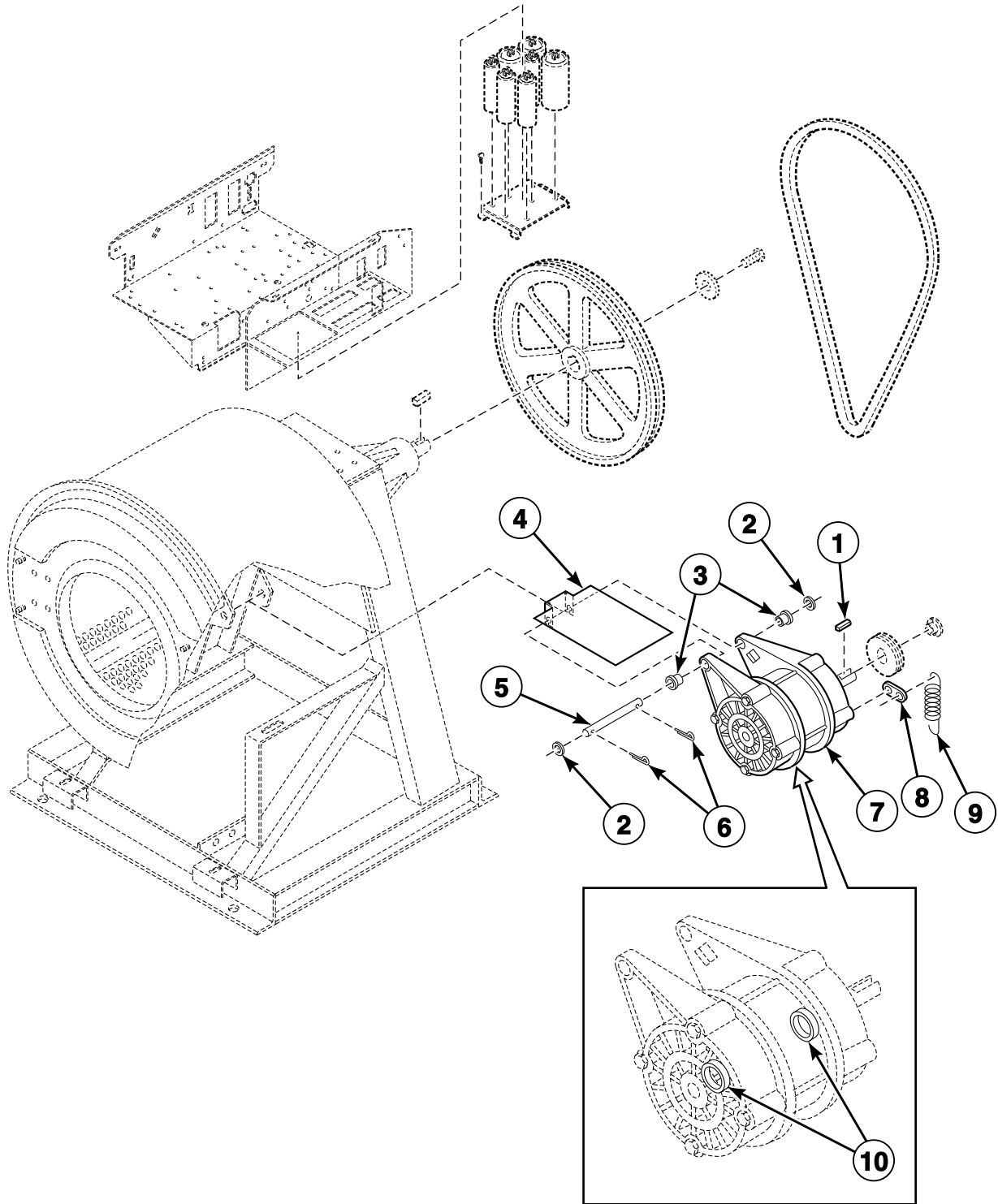
CHM2636P_F232194

Motor - 20 Pound Capacity Models

REF	PART NO.	DESCRIPTION	COMMENTS
1	F430802	Key	
2	F430325	Washer	
3	F200186100	Motor Support Bushing	
4	F200216900	Motor Drip Shield	
5	F602844	Motor Support Rod	
6	F430401	Cotter Pin	
7	F8329401P	Motor	Replaces F022032500P Motor; DC20, HC20, SC20 and UC20 2 speed models; C, F and H-voltage models with or without heat; Includes item 3
	F8353501P	Motor Conversion Kit	DC20, HC20, SC20 and UC20 2 speed models; E-voltage; Replaces F220117, F220125 and F220130 Motor; Order F280427 Pulley and F280298P Pulley Bushing when replacing either F220117 or F220130 Motor
	F8329301P	Motor	DC20, HC20, SC20 and UC20 2 speed models; O-voltage; Replaces F220320 and F022039600 Motor; Order F280170 Pulley when replacing F220320 Motor; Includes motor support bushing
	F8601901P	Motor Conversion Kit	DC20, HC20, SC20 and UC20 2 speed models; B-voltage; Replaces F220110 Motor
	F022012800P	Motor	DC20, HC20, SC20 and UC20 2 speed models; Y-voltage; Includes item 3
	F8411501	Motor Conversion Kit	DC20, HC20, SC20 and UC20 2 speed models before 6/2009; Y-voltage; Replaces F022012800P Motor
	F220352	Motor	DC20, HC20, SC20 and UC20 2 speed models; D-voltage
	F8328901P	Motor Conversion Kit	HC20 and SC20 variable-speed models; **
	F8411501	Motor Conversion Kit	DC20, HC20, SC20 and UC20 2 speed models after 5/2009; Models that have been converted with F8411501 Motor Conversion Kit; Y-voltage; Replaces F022012800P Motor
	F8597402P	Motor	DC20, HC20, SC20 and UC20 2 speed models; Models that have been converted with F8411601 Motor Conversion Kit; B-voltage; Replaces F8329601P Motor
	F8329301P	Motor	DC20, HC20, SC20 and UC20 2 speed models; D, J and O-voltage; Replaces F022039600, F220350 and F220352 Motor; Order F280427 Pulley and H87529111P Bushing when replacing either F220350 or F220352 Motor
8	F601515	Clip	Elmo only
9	F310124	Extension Spring	
10	F100124	Motor Bearing	Variable-speed models with CV132 Motor; 6205-2Z
	M400592	Ball Bearing	2 speed models; 6204-2RS1

**** NOTE: AC drive parameters must be compatible with the motor and motor pulley. Please request the AC drive parameter illustration for parameter verification when ordering a motor.**

Motor - 25 and 30 Pound Capacity Models



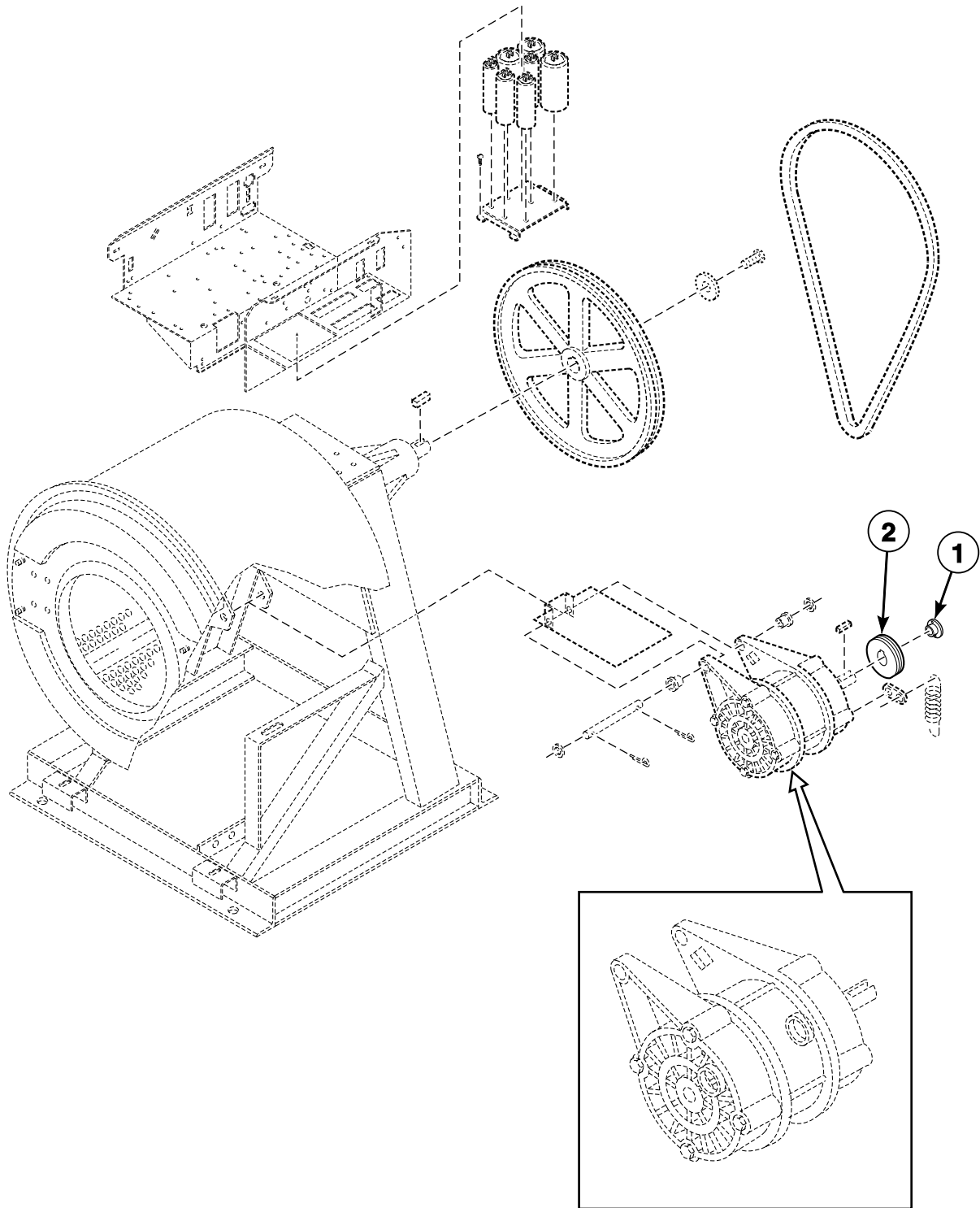
CHM2636P_F232194

Motor - 25 and 30 Pound Capacity Models

REF	PART NO.	DESCRIPTION	COMMENTS
1	F430802	Key	
2	F430325	Washer	
3	F200186100	Motor Support Bushing	
4	F200216900	Motor Drip Shield	
5	F603059	Motor Support Rod	HC25 and SC25 models
	F602844	Motor Support Rod	All other models
6	F430401	Cotter Pin	
7	F8353501P	Motor Conversion Kit	HC25 and SC25 models; Replaces F220125 Motor; E-voltage; Includes motor support bushing
	F8597104P	Motor	DC30, HC25, HC30, SC25, SC30 and UC30 2 speed models; Replaces F022038800P Motor; C, F and H-voltage; Includes motor support bushing
	F8329001P	Motor Conversion Kit	HC30 and SC30 variable-speed models; Replaces F220395 Motor; X-voltage; Includes F8329001 Motor; **
	F8597103P	Motor	DC30, HC25, HC30, SC25, SC30 and UC30 2 speed models; Replaces F022038700P Motor; O-voltage; Includes motor support bushing
	F220389P	Motor	DC30, HC30, SC30 and UC30 2 speed models; HC25 and SC25 models; D and J-voltage
	F8597501P	Motor	DC30, HC25, HC30, SC25, SC30 and UC30 2 speed models; Replaces F022012400P Motor; Y-voltage; Includes motor support bushing
	F8353501P	Motor Conversion Kit	DC30, HC30, SC30 and UC30 2 speed models; Replaces F220125 Motor; E-voltage; Includes motor support bushing
8	F601515	Clip	Elmo only
9	F310124	Extension Spring	
10	F100124	Motor Bearing	Variable-speed models with CV132 Motor; 6205-2Z
	M400592	Ball Bearing	2 speed models; 6204-2RS1

**** NOTE: AC drive parameters must be compatible with the motor and motor pulley. Please request the AC drive parameter illustration for parameter verification when ordering a motor.**

Motor Pulley - 20, 25 and 30 Pound Capacity Models

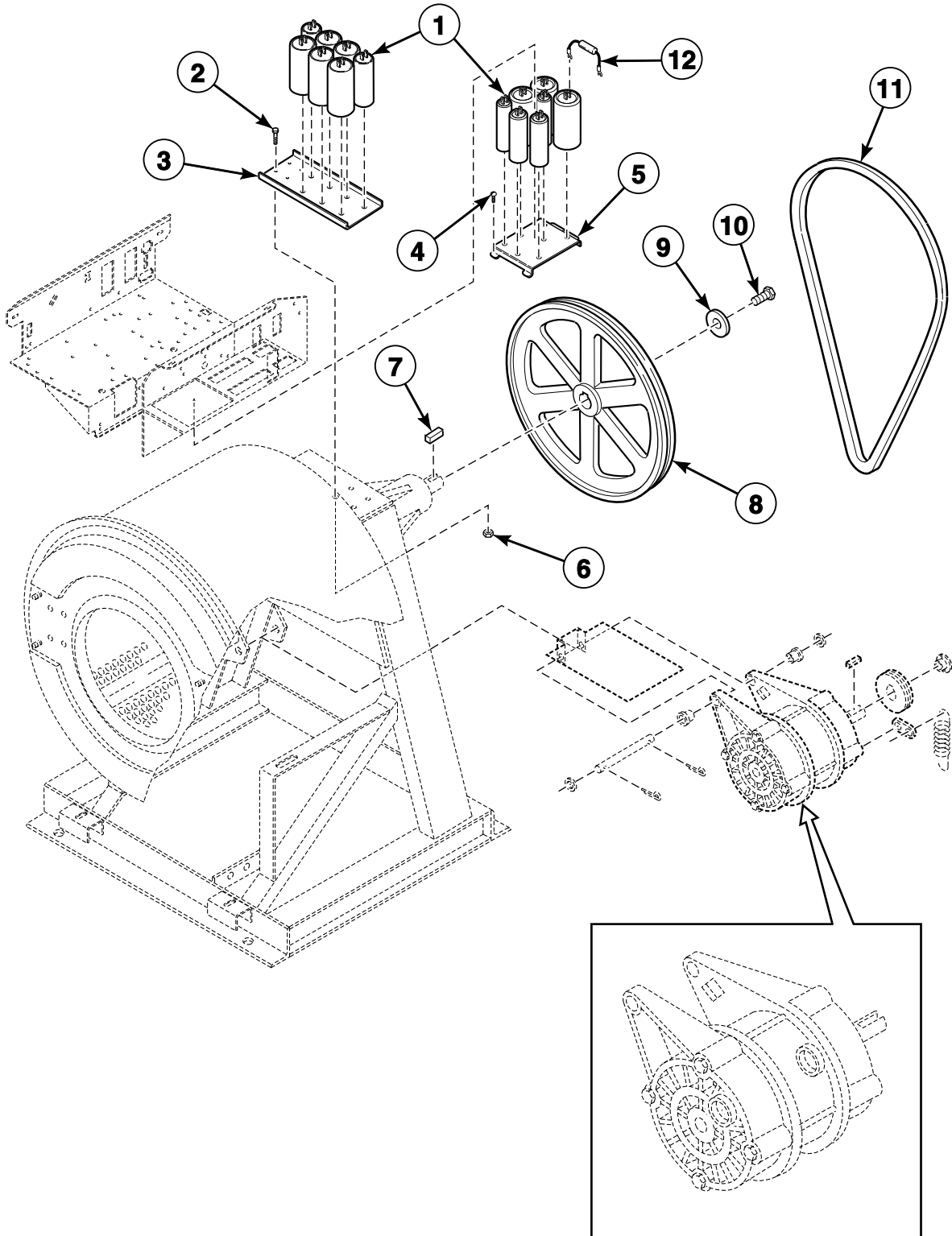


CHM2637P_F232194

Motor Pulley - 20, 25 and 30 Pound Capacity Models

REF	PART NO.	DESCRIPTION	COMMENTS
1	H87529111P	Bushing	DC20, HC20, SC20 and UC20 2 speed models; C, D, G and J-voltage
	H87529111P	Bushing	HC20, SC20 and UC20 2 speed models; E-voltage; Models through 5/23/02
	F280298P	Pulley Bushing	DC20, HC20, SC20 and UC20 2 speed models; E-voltage; Models starting 5/24/02
	F280298P	Pulley Bushing	DC20, HC20, SC20 and UC20 2 speed models; B, F, H and O-voltage; F and H-voltage models with heat
	H87529111P	Bushing	HC25 and SC25 models; C, D and J-voltage
	F280298P	Pulley Bushing	HC25 and SC25 models; E-voltage; Replaces F280214 Motor Bushing
	F280298P	Pulley Bushing	HC25 and SC25 models; Y-voltage; Replaces F220209 Bushing
	H87529111P	Bushing	DC30, HC30, SC30 and UC30 2 speed models; C, D and J-voltage
	F280225P	Bushing	DC30, HC30, SC30 and UC30 2 speed models; E-voltage
	F280298P	Pulley Bushing	HC20 and HC30 variable-speed models
2	F280427P	Pulley	DC20, HC20, SC20 and UC20 2 speed models; C, D, E, G and J-voltage; Replaces F280184 Pulley; Replacement of F280184 Pulley requires H87529111P Bushing
	F280427P	Pulley	DC20, HC20, SC20 and UC20 2 speed models; E-voltage; Replaces F280184 Pulley and H87529111P Bushing; Replacement of F280184 Pulley requires F280298P Pulley Bushing
	F280170	Sheave Pulley	DC20, HC20, SC20 and UC20 2 speed models; B, F, H, O and Y-voltage
	F280170	Sheave Pulley	DC20, HC20, SC20 and UC20 2 speed models; F and H-voltage models with heat
	F280427P	Pulley	HC25 and SC25 models; C, D and J-voltage; Replaces F280184 Pulley; Replacement of F280184 Pulley requires H87529111P Bushing; H87529111P Bushing is used with F280427 Pulley
	F280427P	Pulley	HC25 and SC25 models; E-voltage; Replaces F280180 Pulley; Replacement of F280180 Pulley requires F280298P Pulley Bushing; F280298P Pulley Bushing is used with F280427 Pulley
	F280170	Sheave Pulley	HC25 and SC25 models; F, H and O-voltage
	F280416	Pulley	HC25 and SC25 models; L and Y-voltage; Replaces F280139 Pulley and F280298P Pulley Bushing; F280298P Pulley Bushing is used with F280416 Pulley
	H87520334	Sheave	DC30, HC30, SC30 and UC30 2 speed models; C and D-voltage; Replaces F280283 Pulley; Replacement of F280283 Pulley requires H87529111P Bushing; H87529111P Bushing is used with F280418 Pulley
	F280423	Pulley	DC30, HC30, SC30 and UC30 2 speed models; E-voltage; F280225P Bushing is used with F280423 Pulley
	F280284	Pulley	DC30, HC30, SC30 and UC30 2 speed models; F, H and O-voltage
	F280281	Motor Pulley	DC30, HC30, SC30 and UC30 models; Y-voltage; Replaces F280198 Pulley
	F280287P	Sheave Kit	HC20 and HC30 variable-speed models

Pulley and Belt Assembly - 40, 50 and 60 Pound Capacity Models



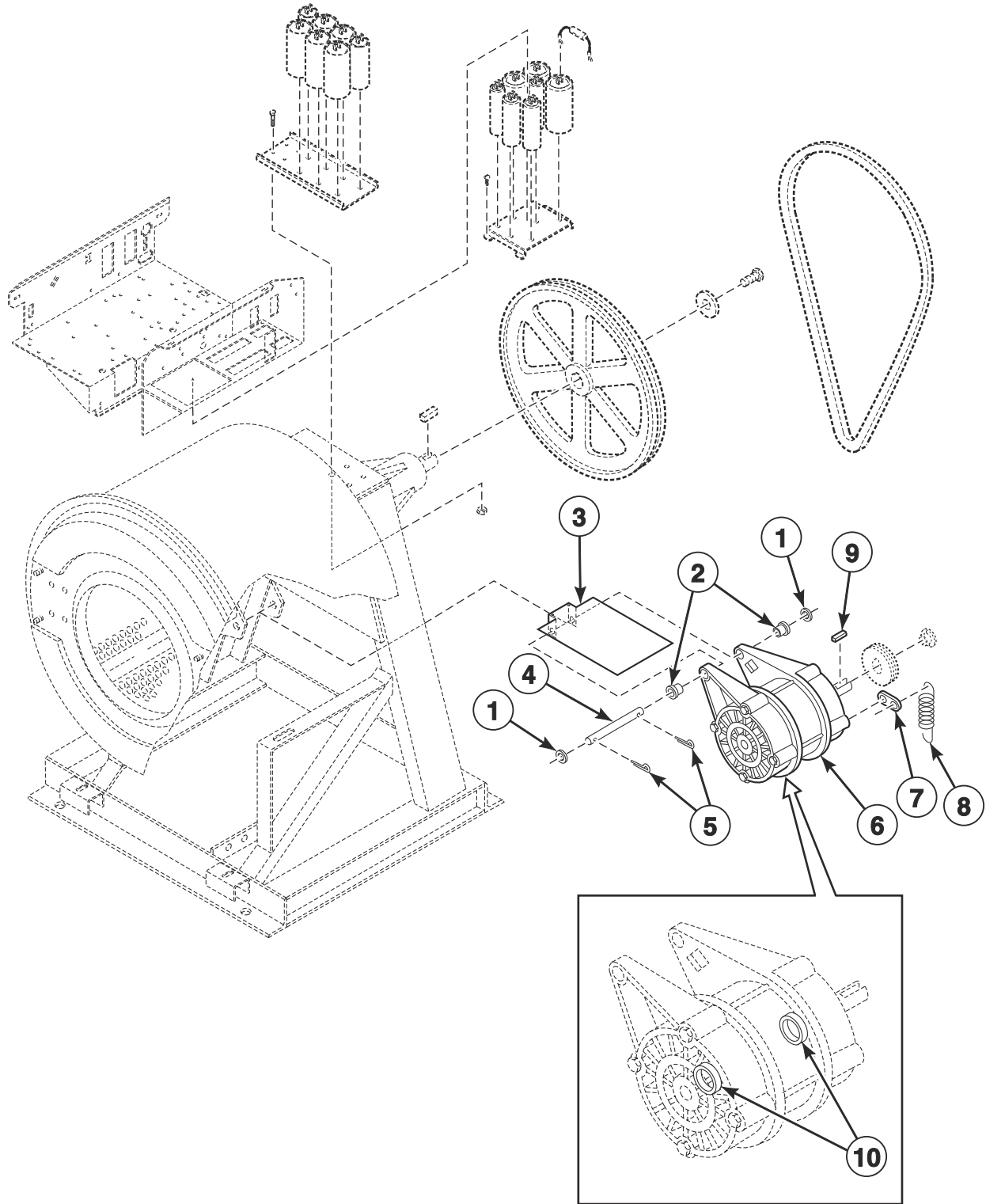
CHM2841P_F232194

Pulley and Belt Assembly - 40, 50 and 60 Pound Capacity Models

REF	PART NO.	DESCRIPTION	COMMENTS
1	F370224P	Capacitor	20 Microfarad; 1 Phase; HC40, SC40 and UC40 Y-voltage models with Elmo motors - 2 used; HC50, SC50 and UC50 Y-voltage models with Elmo motors - 3 used
	F8411801	Capacitor	25 Microfarad; 1 Phase; HC40, SC40 and UC40 Y-voltage models; Models with Elmo motors - 1 used
	F8411901	Capacitor	50 Microfarad; 1 Phase; HC40, SC40 and UC40 Y-voltage models with Elmo motors - 2 used; HC40, SC40 and UC40 Y-voltage models with Century motors - 1 used; HC50, SC50 and UC50 Y-voltage models with Elmo motors - 2 used
	F370220	Capacitor	130 Microfarad; 1 Phase; HC40, SC40 and UC40 Y-voltage models with Century motors - 1 used; HC50, SC50 and UC50 Y-voltage models with Elmo motors - 3 used
	F370218P	Capacitor	160 Microfarad; 1 Phase; HC40, SC40 and UC40 Y-voltage models with Elmo motors - 2 used; HC40, SC40 and UC40 Y-voltage models with Century motors - 1 used
2	F430107	Screw	HC50, SC50 and UC50 models; 1 Phase
3	F200033500	Capacitor Mounting Bracket	HC50, SC50 and UC50 models; 1 Phase
4	N/A	Screw	DC40, HC40, SC40 and UC40 models
5	F0637425-00	Capacitor Mounting Plate	DC40, HC40, SC40 and UC40 models
6	F431024	Nut	HC50, SC50 and UC50 models; 1 Phase
7	F430801	Key	
8	F280197	Pulley	DC40, HC40, SC40 and UC40 2 speed models
	F280173	Pulley	HC50, SC50 and UC50 models; DC60, HC60, SC60 and UC60 2 speed models
	F150269	Basket Pulley	HC40, SC40 and UC40 variable-speed models
	F200299700	Basket Pulley	HC60, SC60 and UC60 variable and F-speed models
9	F431115	Washer	
10	F430100	Screw	
11	F280341	Belt	DC40, HC40, SC40 and UC40 2 speed models; C, D, and J-voltage; 3V-850
	F280342	Belt	DC40, HC40, SC40 and UC40 2 speed models; F, H, O and Y-voltage; 3V-830
	F280373	Belt	HC50, SC50 and UC50 C, D and J-voltage models; 3V-90.65; Replaces F280304 Belt in 50 Hertz models; HC60, SC60 and UC60 C and J-voltage models; Requires 2 belts in 60 pound models
	F280304	Belt	HC50, SC50 and UC50 F, H, O and Y-voltage models; HC60, SC60 and UC60 2 speed models of every other voltage except X-voltage; Requires 2 belts in 60 pound models; 3V-900
	F280369P	Belt	HC40, SC40 and UC40 variable-speed models; 820J6
	F280366P	Belt	DC60, HC60, SC60 and UC60 2 speed X-voltage models; HC60, SC60 and UC60 variable and F-speed models; 870J6
12	F370116	Resistor	Used with F370218 Capacitor

N/A = Part no longer available

Motor - 40, 50 and 60 Pound Capacity Models



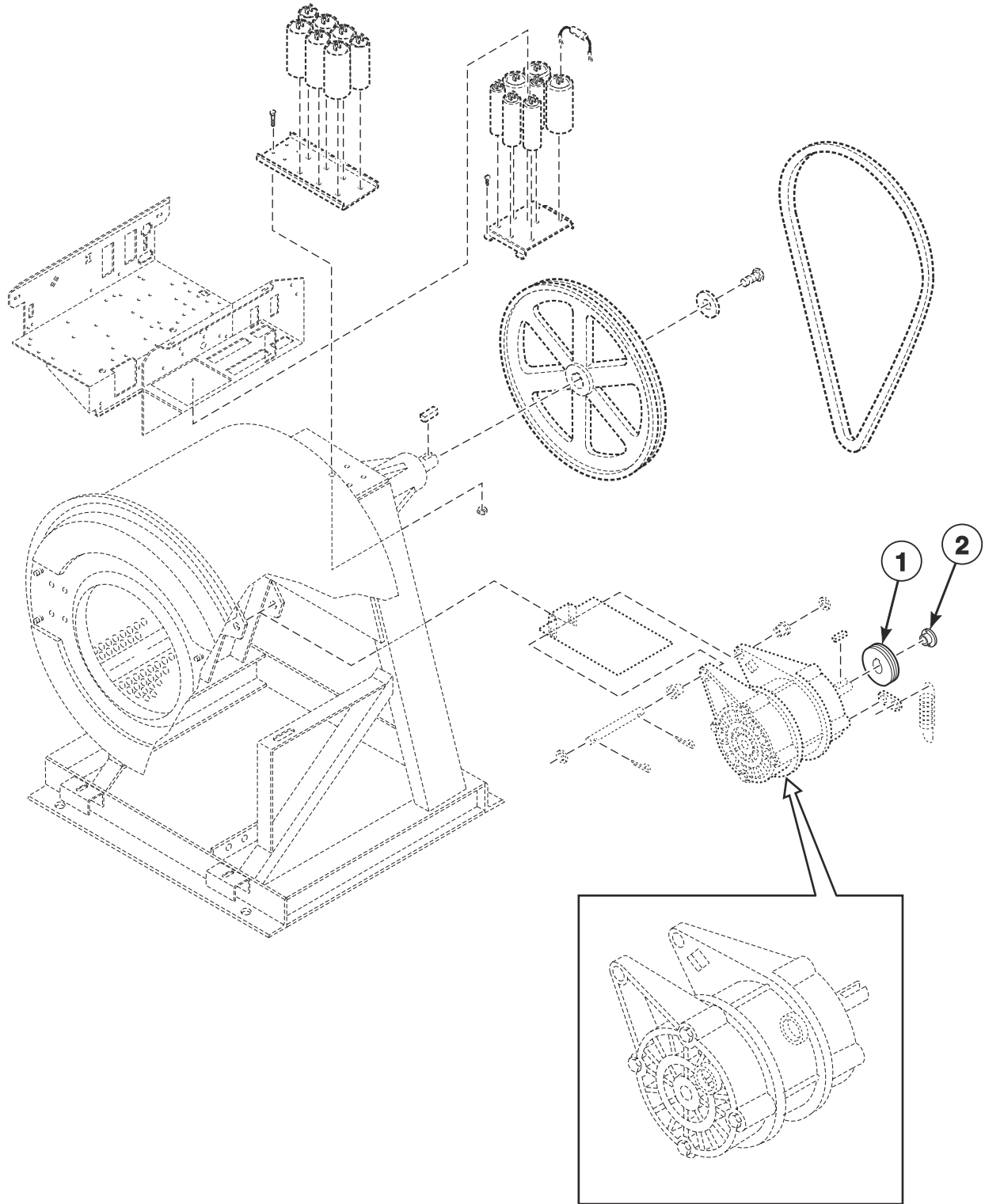
CHM2842P_F232194

Motor - 40, 50 and 60 Pound Capacity Models

REF	PART NO.	DESCRIPTION	COMMENTS
1	F430325	Washer	
2	F200186100	Motor Support Bushing	
3	F200216900	Motor Drip Shield	DC40, HC40, SC40 and UC40 models; All voltages except Y-voltage
	F200280700	Motor Drip Shield	DC40, HC40, SC40 and UC40 Y-voltage models; DC60, HC50, HC60, SC50, SC60, UC50 and UC60 models
4	F730076	Motor Support Rod Kit	DC40, HC40, SC40 and UC40 models
	F603897	Motor Support Rod	DC60, HC50, HC60, SC50, SC60, UC50 and UC60 models
5	F430401	Cotter Pin	
6	F8597801P	Motor	DC40, HC40, SC40 and UC40 2 speed models; O-voltage; Includes motor support bushing; Replaces F0220321-00P Motor
	F0798912-00	Motor Retrofit Kit	DC40, HC40, SC40 and UC40 2 speed models; Y-voltage models through Serial No. 3020329161; Used to convert from F0220137-00 Motor to F0220120-01 Motor
	F8597802P	Motor	DC40, HC40, SC40 and UC40 2 speed models; Replaces F022032600 Motor; C and F-voltage
	F8329101P	Motor Conversion Kit	HC40, SC40 and UC40 variable-speed models; Replaces F200394P Motor; **
	F220354P	Motor	DC60, HC50, HC60, SC50, SC60, UC50 and UC60 2 speed models; D-voltage
	F8329201P	Motor Conversion Kit	DC60, HC60, SC60 and UC60 F and variable-speed models; Replaces F220234P Motor; N, P, Q, T and X-voltage; Includes F8329201 Motor; **
	F8597502P	Motor	DC40, HC40, SC40 and UC40 2 speed Y-voltage models starting Serial No. 3020329162; HC50, SC50 and UC50 Y-voltage models; Includes motor support bushing used to convert from F8330201P and F0220120-01P Motor
	F8597803P	Motor	DC60, HC50, HC60, SC50, SC60, UC50 and UC60 2 speed models; J and O-voltage; Includes motor support bushing; Replaces F8330301P and F022032200P Motor
	F8597804P	Motor	DC60, HC50, HC60, SC50, SC60, UC50 and UC60 2 speed models; C, F and H-voltage; Includes item 2; Replaces F8330401P and F220327P Motor
7	F601515	Clip	Elmo only
8	F310148	Tension Spring	Variable speed models
	F310124	Extension Spring	2 speed models
9	F430802	Key	
10	F100124	Motor Bearing	6205-2Z; Use with F8330001P, F0220120-01, F8330101P, F8329101P, F8329201, F8597502P, F8597803P and F8597804P Motors

**** NOTE: AC drive parameters must be compatible with the motor and motor pulley. Please request the AC drive parameter illustration for parameter verification when ordering a motor.**

Motor Pulley - 40, 50 and 60 Pound Capacity Models

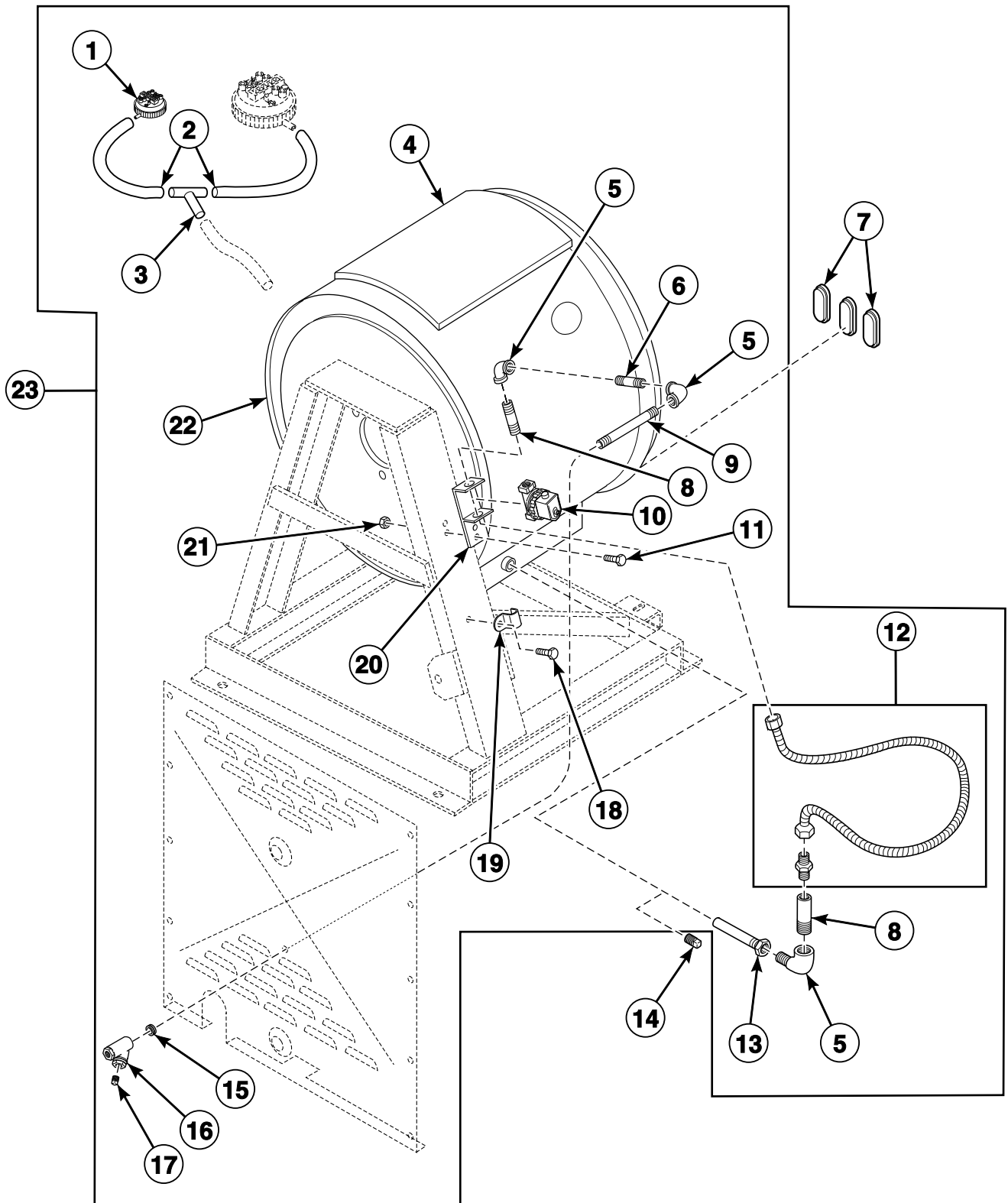


CHM2842PA_F232194

Motor Pulley - 40, 50 and 60 Pound Capacity Models

REF	PART NO.	DESCRIPTION	COMMENTS
1	H87520334	Sheave	DC40, HC40, SC40 and UC40 2 speed models; C, D and J-voltage; Replaces F280185 Motor Pulley; F280298 Pulley Bushing is used with F280418 Pulley
	F0280385-00	Sheave	DC40, HC40, SC40 and UC40 2 speed models; F, O and Y-voltage
	F280422P	Pulley	DC60,HC50, HC60, SC50, SC60, UC50 and UC60 2 speed models; C, D and J-voltage; Replaces F280186 Pulley; F280225 Bushing is used with F280422 Pulley
	F0280385-00	Sheave	DC60, HC50, HC60, SC50, SC60, UC50 and UC60 2 speed models; F, H, O and Y-voltage
	F280287P	Sheave Kit	HC40, HC60, SC40, SC60, UC40 and UC60 variable and F-speed models; DC60, HC60, SC60 and UC60 2 speed X-voltage models
2	F280298P	Pulley Bushing	DC40, DC60, HC40, SC40 and UC40 2 speed C, D and J-voltage models; HC60, SC60 and UC60 2 speed X-voltage models; HC60, SC60 and UC60 variable and F-speed models
	F280225P	Bushing	HC50, SC50 and UC50 models; C, D and J-voltage
	F280209	Motor Pulley Bushing	HC40, SC40 and UC40 variable-speed models

Steam Heat Kit



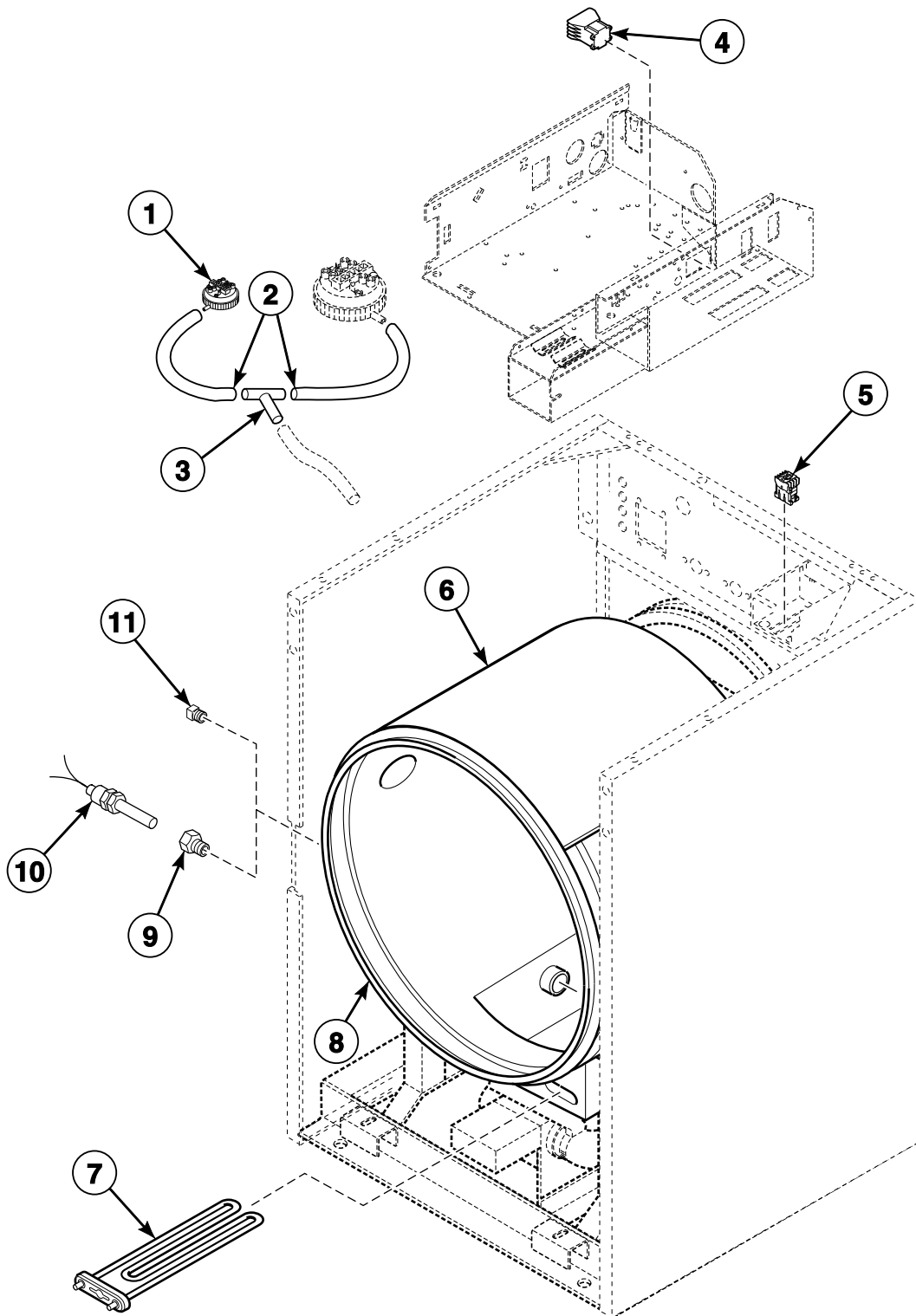
CHM3011_F232194

Steam Heat Kit

REF	PART NO.	DESCRIPTION	COMMENTS
	F8514601P	Coil	Use with F8322801 Valve
	F8382301	DIN Valve Adapter Kit	Use with F8322801 Valve
	F8379501P	Valve Kit	Use with F8322801 Valve
	F380984P	Steam Valve Repair Kit	Use with item 10
1	F8223001P	Water Pressure Switch	Heat safety
2	F422404P	Tubing	
3	F422806	Tee	
4	F410301	Fiberglass Blanket	
5	70079601	Elbow	
6	F420708	Nipple	
7	F360202	Heating Element Plug	
8	70435601	Pipe Nipple	
9	70214101	Pipe Nipple	
10	F8322801P	Valve	Replaces F380787P Steam Valve; Includes F8514601 Coil; For models that have been upgraded with F8521601 DIN Valve Kit
	F8521801	DIN Valve Kit	Replaces F380787P Steam Valve; Includes F8322801 Valve, F8382301 DIN Valve Adapter Kit and F8514601 Coil
11	F430108	Screw	
12	F200153P	Steam Hose	DC40, HC40, SC40 and UC40 models; Y-voltage
	F200154	Steam Hose	All models except DC40, HC40, SC40 and UC40 models; Y-voltage
	F410300	Pipe Insulation	
13	F8368201	Steam Injector Tube Assembly	
14	F200202600	Plug	
15	N/A	Grommet	
16	F270307	Steam Filter	
17	F420409	Plug	
18	F430115	Screw	
19	N/A	Cable Strap	
20	F601186	Steam Bracket Assembly	
21	F430215	Nut	
22	F0636601-00	Shell Weldment	DC20, HC20, SC20 and UC20 models; All voltages except E-voltage; Heat option
	F0637054-00	Shell Weldment	DC20, HC20, SC20 and UC20 models; E-voltage; Heat option
	F0636700-00	Shell Weldment	HC25 and SC25 models; Heat option
	F0636704-00	Shell Weldment	DC30, HC30, SC30 and UC30 models; Heat option
	F200199700	Shell Weldment	DC40, HC40, SC40 and UC40 models with heat through 1/25/05; No center top hole in back of shell
	F8196202	Shell Weldment	DC40, HC40, SC40 and UC40 models; Heat option; Centered top hole in back of shell
	F0636747-00	Shell Weldment	HC50, SC50 and UC50 models; Heat option
	F0637661-00	Shell Weldment	DC60, HC60, SC60 and UC60 models; Heat option
23	F200092800P	Steam Heat Kit	Includes items 1-6, 8-13, 15-21 and harness

N/A = Part no longer available

Electric Heat Kit

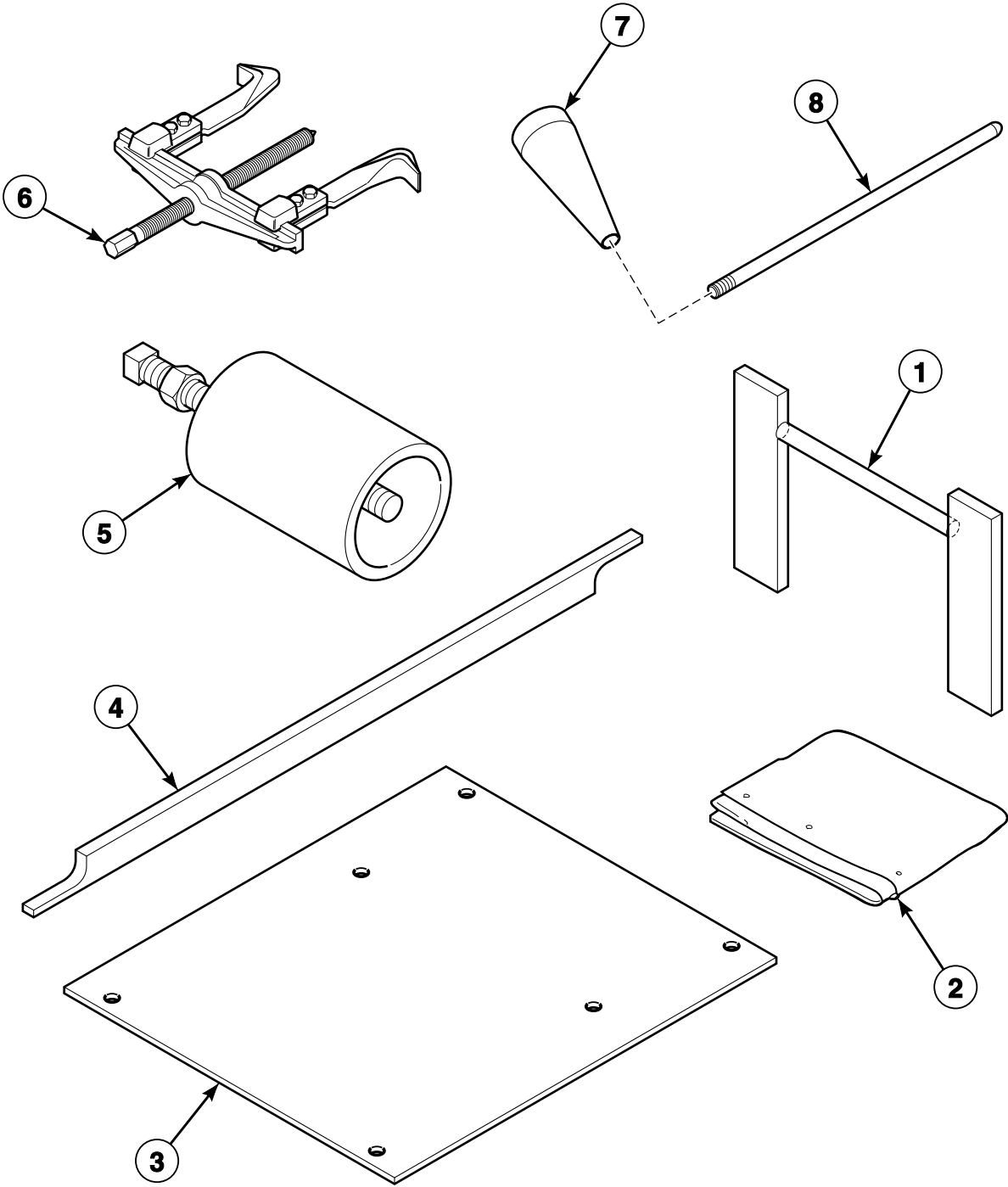


CHM2770P_F232194

Electric Heat Kit

REF	PART NO.	DESCRIPTION	COMMENTS
	F200092702	Electric Heat Kit	DC60, HC50, HC60, SC50, SC60, UC50 and UC60 models; Includes items 1-3 and 5-7, harness and installation instructions
	F200092700	Electric Heat Kit	DC20, DC30, HC20, HC25, HC30, SC20, SC25, SC30, UC20 and UC30 models; Includes items 1-4, 6 and 7, harness and installation instructions
	F200092701	Electric Heat Kit	DC40, HC40, SC40 and UC40 models; C-voltage; Includes items 1-4, 6 and 7, harness and installation instructions
1	F8223001P	Water Pressure Switch	Heat safety
2	F422404P	Tubing	
3	F422806	Tee	
4	F330177P	Contactors	DC20, DC30, HC20, HC25, HC30, SC20, SC20, SC30, UC20 and UC30 all voltages except E and Y-voltage models; HC40, SC40 and UC40 D and J-voltage models
	F330188P	Contactors	DC20, HC20, SC20 and UC20 models; E and Y-voltage
	F330179P	Contactors	DC40, HC40, SC40 and UC40 models; C, F and H-voltage
	F330182	Contactors	DC40, HC40, SC40 and UC40 models; O and Q-voltage
5	F330188P	Contactors	DC60, HC50, HC60, SC50, SC60, UC50 and UC60 models; All voltages except F-voltage
	F330182	Contactors	DC60, HC50, HC60, SC50, SC60, UC50 and UC60 models; F-voltage
6	F410301	Fiberglass Blanket	
7	F360205P	Element	DC20, HC20, SC20 and UC20 2 speed models except E-voltage models; DC30, DC40, DC60, HC25, HC30, HC50, HC60, SC25, SC30, SC50, SC60, UC30, UC50 and UC60 models
	F360206P	Heating Element	DC20, HC20, SC20 and UC20 F-speed, variable-speed and E-voltage 2 speed models
	F0360210-00	Heating Element	DC40, HC40, SC40 and UC40 models
8	F0636601-00	Shell Weldment	DC20, HC20, SC20 and UC20 models; All voltages except E-voltage models; Heat option
	F0637054-00	Shell Weldment	DC20, HC20, SC20 and UC20 models; E-voltage
	F0636700-00	Shell Weldment	HC25 and SC25 models; Heat option
	F0636704-00	Shell Weldment	DC30, HC30, SC30 and UC30 models; Heat option
	F200199700	Shell Weldment	DC40, HC40, SC40 and UC40 models with heat through 1/25/05; No center top hole in back of shell
	F8196202	Shell Weldment	DC40, HC40, SC40 and UC40 models; Heat option; Centered top hole in back of shell
	F0636747-00	Shell Weldment	HC50, SC50 and UC50 models; Heat option
	F0637661-00	Shell Weldment	DC60, HC60, SC60 and UC60 models; Heat option
9	F421936	Reducer Bushing	
10	F8045001	Temperature Probe Assembly	
11	F200202600	Plug	

Special Tools



CHM3199P_F232194

Special Tools

REF	PART NO.	DESCRIPTION	COMMENTS
	389P4	Basket Tool Kit	Purchase; Requires item 6
	390P4-1	Basket Rental Tool Kit	Requires item 6
	F370851P	HIM Drive	Models with 160-series drive
1	F460131P	Basket Pulley Puller Tool	
2	F450127	Template	HC50, SC50 and UC50 models
	F450246	Template	HC25 and SC25 models
3	F608707	Bolt Layout Mounting Template	HC20, SC20 and UC20 models
	F608708	Bolt Layout Mounting Template	HC25 and SC25 models
	F631796	Bolt Layout Mounting Template	HC30, SC30 and UC30 models
	F0637047-00	Bolt Layout Mounting Template	HC40, SC40 and UC40 models
	F608710	Bolt Layout Mounting Template	HC50, HC60, SC50, SC60, UC50 and UC60 models
4	N/A	Basket Pulley Alignment Bar	HC50, SC50 and UC50 models
5	F798001	Basket Pulley Kit	HC20, HC25, SC20, SC25 and UC20 models
	F798002	Basket Puller Kit	HC40, SC40 and UC40 models
	F798003	Basket Puller Kit	HC50, HC60, SC50, SC60, UC50 and UC60 models
6	F460129	Basket Puller Tool	
7	396P4	Basket Guide Cone Tool	DC20, HC20, HC25, SC20, SC25 and UC 20 models
	397P4	Basket Guide Cone Tool	DC30, DC40, HC30, HC40, SC30, SC40, UC30 and UC40 models
	398P4	Basket Guide Cone Tool	DC60, HC50, HC60, SC50, SC60, UC50 and UC60 models
8	401P4	Basket Installation Tool Rod	

N/A = Part no longer available

Parts Index

A

AC Drive Cover Assembly	
F0636888-00.....	15
F200100201.....	21, 23
F200146800P.....	21
F200146801.....	23
AC Drive Radio Filter Assembly	
F200320900.....	15, 21, 23, 25
AC Drive Resistor Assembly	
F8079901P.....	17, 19
F8080001P.....	17, 19
Access Transformer Harness	
F200008700.....	45, 47
Air Chamber Nipple	
F634178.....	61
Air Filter Assembly	
F8026401P.....	21, 23
Air Trap Hose	
F020014200.....	57, 59, 61

B

Ball Bearing	
M400592.....	101, 103
Basket Assembly	
F603900-1.....	87
F8123701.....	85
F8347901P.....	85
F8391302.....	85
F8391305P.....	85
F8391502.....	85
F8391702.....	87
F8502802.....	87
F8502803.....	87
Basket Guide Cone Tool	
396P4.....	117
397P4.....	117
398P4.....	117
Basket Installation Tool Rod	
401P4.....	117
Basket Puller Kit	
F798002.....	117
F798003.....	117
Basket Puller Tool	
F460129.....	117
Basket Pulley	
F150269.....	99, 107
F150270.....	99
F200299700.....	107
Basket Pulley Kit	
F798001.....	117
Basket Pulley Puller Tool	
F460131P.....	117
Basket Rental Tool Kit	
390P4-1.....	85, 87, 117
Basket Tool Kit	
389P4.....	85, 87, 117
Bearing	
F100108.....	89, 91

F100122.....	91
F100123P.....	89, 91, 93
F100134.....	89, 91, 93
F100135.....	93
F100136P.....	89
F100137P.....	89, 91
Bearing Kit	
RB100001.....	89
RB100002.....	89
RB100003.....	91
RB100004.....	91
RB100005.....	91
RB100006.....	93
Belt	
F028038000P.....	99
F280304.....	107
F280321.....	99
F280337.....	99
F280341.....	107
F280342.....	107
F280343.....	99
F280366P.....	107
F280368P.....	99
F280369P.....	107
F280373.....	107
F8382801.....	99
Bezel Gasket	
F0170190-00P.....	49
Blind Rivet	
F8245101.....	65
Bolt	
F430974.....	65
Bolt Layout Mounting Template	
F0637047-00.....	117
F608707.....	117
F608708.....	117
F608710.....	117
F631796.....	117
Bushing	
F280225P.....	105, 111
H87529111P.....	105

C

Cabinet Brace	
F0636131-00.....	77
F0636217-00.....	73, 75
F0636218-00.....	77
F0636320-00.....	77
F0636518-00.....	77
F0636596-00.....	77
F0637632-00.....	77
F634800.....	73, 75
F634801.....	73, 75
F634803P.....	73, 75
Cabinet Corner Stiffener	
F200168900.....	73, 75
Cable Tie	
F140605.....	45
Cam Lock Assembly	
802109.....	77

N/A items do not appear in index.

Cap	F190303.....	49	F200010002.....	43	
Capacitor	F370218P.....	107	F200010003.....	43	
	F370220.....	99, 107	F200010004.....	43	
	F370221.....	99	F200010005P.....	43	
	F370224P.....	99, 107	F200010006.....	41	
	F370225P.....	13, 17	F200010007.....	41	
	F370230.....	99	F200010008.....	43	
	F8035701.....	45	F200010009.....	41	
	F8411801.....	99, 107	F200010010.....	43	
	F8411901.....	99, 107	F200010011.....	41	
Capacitor Mounting Bracket	F0320211-00.....	13, 17	F200010012.....	41	
	F200033500.....	107	F200021600P.....	45	
Capacitor Mounting Plate	F0637425-00.....	99, 107	Coin Meter Mounting Assembly	F0636445-01.....	27
Clamp Ring Assembly	F8388002.....	83	Coin Meter Mounting Kit	F0636445-00.....	27
Clip	F601515.....	101, 103, 109	Communication Box Kit	F200040300P.....	27
Coil	F8514601P.....	113		F200041700P.....	27
Coin Box	F160672.....	39		F200041800P.....	27
	F160673P.....	39		F200098500P.....	27
Coin Box Assembly	F0637455-00.....	13		F200098600P.....	27
Coin Box Audit Harness	F200137700P.....	29		F200098700P.....	27
Coin Box Cover Assembly	F0637138-00.....	13	Computer	F0370452-21P.....	29
Coin Cover Overlay	70246301.....	31		F0370452-30P.....	29
Coin Drop	200731.....	43		F0370452-31P.....	29
	38963P.....	41		F0370455-00P.....	29
	70256402P.....	43		F0370455-01P.....	29
	70441601P.....	41		F0370455-10P.....	29
Coin Drop Assembly	201141.....	41		F0370455-20P.....	29
	210195.....	43		F0370455-40P.....	29
	210196.....	43		F0370455-41P.....	29
	38462P.....	41		F0370455-60P.....	29
	38463.....	41		F037046500P.....	29
	38464P.....	41		F037046501P.....	29
	38467.....	43		F037046530P.....	29
	38472.....	43		F037046532P.....	29
	38475.....	41		F037046580P.....	29
	38480.....	41		F037046592P.....	29
	38519.....	43		F037047520P.....	29
	38521.....	43		F037047530P.....	29
	39157.....	43	Computer and Door Lock Harness	F200296000P.....	29
	70281102.....	43	Conductor Decal	F231146.....	11
	70283102.....	43	Contactactor	F330177P.....	13, 17, 19, 115
	70441602.....	43		F330179P.....	115
Coin Drop Kit	CK077.....	41, 43		F330182.....	115
	CK097.....	41		F330188P.....	115
Coin Identification Paper	38725.....	41, 45	Contactactor Harness	F063496000.....	17
Coin Meter	F0160737-00.....	43	Control Cover	F0634903-00.....	27
Coin Meter Assembly	F200010000P.....	41	Control Panel Assembly	F0634889-00.....	31
	F200010001.....	43		F0634889-01.....	37
				F0635838-00.....	31
				F0635838-01.....	37
				F0636522-00.....	31
				F0636522-01.....	37
				F0636590-00.....	31
				F0636590-01.....	37
			Control Panel Decal	F0231589-11.....	31
				F0231589-12.....	35

N/A items do not appear in index.

F0231589-13.....	33
F023158914.....	33
F0231589-21.....	31
F0231589-22.....	35
F023158924.....	33
F0231589-31.....	31
F0231589-32.....	35
F0231589-33.....	33
F023158934.....	33
F0231589-41.....	31
F0231589-42.....	35
F0231589-43.....	33
F023158944.....	33
F0231593-11.....	37
F0231593-21.....	37
F0231593-31.....	37
F0231593-41.....	37
F0231606-11.....	31
F0231606-12.....	35
F0231606-13.....	33
F0231606-21.....	31
F0231606-22.....	35
F0231606-23.....	33
F0231606-31.....	31
F0231606-32.....	35
F0231606-33.....	33
F023161214.....	33
F023161224.....	33
F023161234.....	33
F0231613-11.....	37
F0231613-21.....	37
F0231613-31.....	37
F0231613-41.....	37
F0231616-11.....	37
F0231616-21.....	37
F0231616-31.....	37
F0231616-41.....	37
F200018141.....	31
F200018142.....	35
F200018143.....	33
F200018244.....	33
F200047423.....	33
Cooling Fan Filter Slide F633321.....	15
Cotter Pin F430401.....	101, 103, 109
Counterclockwise Spin Rotation Decal F230693.....	11, 67

D

Diaphragm and Guide Kit G582P3.....	49
DIN Valve Adapter Kit F8382301.....	113
DIN Valve Kit F8521801.....	113
Disconnect Power Warning Label D505281.....	11
Display Window Cover F200181500.....	21, 23
Do Not Lift Decal F230216.....	11
Door F602837-1.....	65
F602842-2.....	65

Door Assembly F060323905.....	65
F060323906.....	65
F060390105.....	65
F060390106.....	65
F604079-6.....	65
F8150401.....	65
F8150501.....	65
Door Bezel F170416-2.....	73, 75
F8658701.....	73, 75
F8658901.....	73, 75
F8659101.....	73, 75
Door Gasket F017012302.....	67
F017012402.....	67
F170123.....	67
F170124.....	67
F200000200.....	67
F200000202.....	67
Door Glass F8485301P.....	67
F8485401P.....	67
Door Glass Kit F290205P.....	67
Door Handle F150225.....	67
Door Handle Kit F730155.....	67
Door Hinge F190216P.....	65
Door Hinge Shim Kit F200131000P.....	65
Door Lock Assembly F200136800P.....	71
F200136801.....	71
F200321400P.....	69
F200321401.....	69
F200321402.....	69
F200321403.....	69
Door Lock Assembly Cover F603003.....	69, 71
Door Lock Harness F200136600.....	71
Door Lock Microswitch F200203200.....	69, 71
Door Lock Pin Linkage F150455.....	69, 71
Door Lock Pin Release Spring F310137.....	69, 71
Door Lock Plate Assembly F8066701.....	69, 71
Door Lock Plate Shim F8059701.....	69, 71
Door Lock Retainer Latch F0636103-00.....	71
Door Lock Solenoid F0300131-00P.....	71
Door Lock Splash Shield F320200.....	69, 71
Door Lock Spring F310125.....	67
Door Lock Switch Lever F0636636-00.....	69, 71

N/A items do not appear in index.

Door Lock Time Delay F200025200P	17
Door Lock Torsion Spring F310110	69, 71
Door Locking Linkage Pin F431231	69, 71
Door Mount F150271	65
Door Spacer F0150273-00	67
Door Switch F340200	69, 71
Door Warning Label 81968	11
Drain Connect Tee F150318	57
Drain Hose F0150331-00	57
F150356	59
F200123400	61
F200123500	57
F200185200	57
F200185300	57
Drain Pump F270119P	63
Drain Seal Kit F8562001	55
Drain Tee F8752101	57
Drain Valve F8406303	55
F8602602P	55
Drain Valve Cover F200133600	53, 55
Drive Kit, 160-Series to PowerFlex 40 F8172202	25
F8172302	25
F8172303	25
F8172405	25
F8172407	25
F8172503	25
F8172606	25
F8172607	25
F8172609	25
F8172703	25

E

Elbow 70079601	113
Electric Heat Kit F200092700	115
F200092701	115
F200092702	115
Electronic Coin Drop Assembly 70294103P	45
70294104	45
70294107	45
70294109	45
70294111	45
70513306	45
70513311	45
Electronic Coin Drop Kit CK099	45

CK100	45
CK101	45
CK103	45
CK106	45
CK110	45
CK113	45
CK115	45
CK501	45
Electronic Coin Drop Kit CK109	45
Element F360205P	115
E-Ring Retainer F310205	69, 71
Excluder Seal F8336801	85
F8336901	85
F8749305	87
F8749307	87
Extension Spring F310124	101, 103, 109
External Supply Connection Decal F231376-2	49
F231376-3	49

F

Fan Guard F0220922-00	15, 21
Fiberglass Blanket F410301	113, 115
Fill Hose F150372	57
F200116	51
Filter F0270321-00P	15, 21, 23
F270305	51
F270306P	51
Filter Handle Decal F231377	15, 21, 23
Filter Housing Cap Gasket F270407	51
Flange Relay F330230	13, 17, 19
Frame Assembly F0637645-00	95
F0637645-01	95
F606178	95
F607003	95
F607005	95
F630232	95
F633950	95
F634291	95
Frame Weldment F0636108-00	95
F0636108-01	95
F200195300	95
F200195301	95
F200195302	95
Front Drain Hose F0200240-00	57
F150312	57
F8035801	57

N/A items do not appear in index.

Front Panel	
F634666-2	73
F634666-5	73
F634682-2	75
F634682-5	75
F634836-1P	75
F634836-2	75
F634837-1	73
F8200301P	75
F8200302P	73
F8200401P	75
F8200402P	73
F8200501P	75
F8200502P	73
F8200601P	75
F8200602P	73

Fuse	
F350108	29
F350109	29
F350110	29
F350125	29
F350145	29
2090046800	29

G

Gravity Drain Valve	
803292P	53
Grommet	
F170615	49
F200139500	49
Ground Decal	
F230630	11
F230739	11
Ground Terminal Lug	
F140734	49

H

Harness	
F0636352-04	13
Heating Element	
F0360210-00	115
F360206P	115
Heating Element Plug	
F360202	113
HIM Drive	
F370851P	117
Hose	
F609748-5	63
Hose Clamp	
F200204	61, 63
F200213	57, 59, 61, 63
F200215	55, 57, 59, 61
F200217	63
F200219	59
F200222	57, 59
36801	49

I

IDC Replacement Kit	
F200189300	17
F200189301	17
F200189700	19
F200189701	19
Injection Nozzle	
F8322001	49
Injection Nozzle Kit	
F730168	49
Input Block	
F0140795-00	13, 17, 19
F0140798-00P	13, 17, 19
F0140799-00	13, 17, 19
Input Power Block	
F140746	13, 17
F140747	13, 17
F140748	13, 17
Input Power Connection Box Cover	
F602533	49
Insulator Bushing	
F140909	17, 19
Interface CCA	
F200017400P	29
F200209200	29
Interlock Contactor	
F330186P	13, 17, 19
Interlock Switch	
F340900	93, 97
Inverter Drive	
F370843	15, 21
F370844	15, 21
F370857	15, 21, 23
F370858	15, 21, 23

K

Key	
F160420	39
F160421	39
F160423	39
F430801	99, 107
F430802	101, 103, 109
70155603	77
Keypad	
F0231582-01P	27
F0231582-03P	27
F0231582-05P	27
F0231582-06P	27
F0231582-07P	27
F0231582-08P	27
F0231582-16P	27
F0231582-17P	27
F0231582-19	27
F023158231P	27
F8132501P	27, 47

L

L-Catch Kit	
F746808	69, 71

N/A items do not appear in index.

Left Side Panel	
F0636136-00P	81
F0636595-00P	81
F8155601P	81
F8155901P	81
F8156701	81
F8157401P	81
F8159901	81
F8160101P	81
Lid Clamp Assembly	
F630430	77
Lid Lock Pin	
F0190808-00P	77
Line Reactor Kit	
F0360159-00A	15, 21, 23
F0360160-00P	15, 21
F0360167-00P	15, 21
Liquid Supply Decal	
F230877	11
Lower Out-of-Balance Switch Bracket	
F200023000	97

M

Magnet	
F8390801	65
Magnetic Switch	
F0340723-00	65
Magnetic Switch Assembly	
F8746601	65
Main Harness	
F200295900	29
Mini-Fit Receptacle Housing	
34906	47
Module Box Assembly	
F0636682-00	13
F200100100	19
F200100101	17
F200100102	19
F200100103	17
Module Box Tray	
F0636185-01	13
Momentary Switch	
F200120100	37
F340412	37
F340435	29
Motor	
F022012800P	101
F220352	101
F220354P	109
F220389P	103
F8329301P	101
F8329401P	101
F8597103P	103
F8597104P	103
F8597402P	101
F8597501P	103
F8597502P	109
F8597801P	109
F8597802P	109
F8597803P	109
F8597804P	109
Motor Bearing	
F100109P	89
F100124	101, 103, 109

Motor Conversion Kit	
F8328901P	101
F8329001P	103
F8329101P	109
F8329201P	109
F8353501P	101, 103
F8411501	101
F8601901P	101
Motor Drip Shield	
F200216900	101, 103, 109
F200280700	109
Motor Pulley	
F280281	105
Motor Pulley Bushing	
F280209	111
Motor Retrofit Kit	
F0798912-00	109
Motor Support Bushing	
F200186100	101, 103, 109
Motor Support Rod	
F602844	101, 103
F603059	103
F603897	109
Motor Support Rod Kit	
F730076	109
Motor Switch	
F340002	13, 17, 19
Mounting Bracket Assembly	
F0636707-00	27, 41
F635319	27, 43, 45
F635320	27, 47
Muffin Fan	
F110105	15, 21, 23
F110110	15, 21

N

Nipple	
F420708	113
Nut	
F430215	29, 45, 57, 59, 61, 63, 65, 83, 113
F430218	95
F430225	69, 71
F430231	13, 15, 17, 19, 21, 23, 27, 49, 69, 71
F430232	13, 15, 17, 19, 21, 23, 67, 69, 71
F430233	73, 75, 79, 97
F430239	89
F430240	91, 93
F430264	65, 69, 71, 73, 75
F431001	97
F431016	17, 19
F431017	27, 47, 69, 71
F431022	29, 67
F431024	77, 79, 107
F431041	67
F431806	13, 17, 19
685846	27, 41, 43, 45
802292	49

O

On/Off Switch Assembly	
F0636445-02	27

N/A items do not appear in index.

Opto Coupler 200674P	41, 43
O-Ring 801632	49
Out-of-Balance Mounting Bracket Assembly F200023100	97
Output Board Cover F0170427-00	13, 17, 19
Output CCA F037044860-1	29
Overflow Hose F0200238-00	57
F150332	57, 59
F200125800	57
Overflow Plug F150352	55, 61, 63
Overlay 70295101	45
70295301	45
Overlay Decal F200116200	33
F200116201	33
Overload Contactor F8176101P	13, 17, 19
F8344001P	13, 17, 19
F8344101P	13

P

Panel Assembly F200178400	81
Personal Injury Warning Decal F231065	11
Pin Terminal 00252SG	47
Pipe F603827-1	63
Pipe Insulation F410300	113
Pipe Nipple 70214101	113
70435601	113
Plug F150443	61, 63
F200202600	113, 115
F420409	113
Pop Rivet F431215	13, 17
PowerFlex 40 Drive F8169419	25
F8169420	25
F8169421	25
F8169422	25
F8169423	25
F8169424	25
F8169425	25
F8169426	25
F8169427	25
F8169446	25
Pressfit Upgrade Kit F935P3	85
F936P3	85
F938P3	87, 91
F939P3	87

F942P3	87, 91
Pressure Switch F8134602P	27
Pulley F280168	99
F280173	107
F280197	107
F280284	105
F280416	105
F280422P	111
F280423	105
F280427P	105
Pulley Bushing F280298P	105, 111
Pulse Expander Assembly F8034701P	45
Pump F200000900P	63
F270104P	63
F634463P	61
Pump Drain Outlet Hose F150482	61
Pump Drain Rear Connecting Bracket F604147	61, 63
Pump Drain Trap Assembly F630326P	63
Pump Drain Trap Mounting Bracket F609694	63
Pump Drain Trap Weldment F633819	61
Pump Inlet Hose F634177	61
Pump Mounting Bracket F634114	61
Push Red Button Decal F230661	67
Pushbutton Rod F320300	67

R

Ratchet Fastener F0432316-00	13, 17, 19
Rear Drain Hose F0200239-00	57
F150311	57
Rear Panel F0636220-00P	79
F0636321-00P	79
F200022900P	79
Rear Panel Kit F757000	79
F757001	79
F757002	79
Rear Pump Drain Hose F150343	61, 63
Red Dot Decal F230662	67
Reducer Bushing F421936	115
Remove Door Lock Tag F230528	11

N/A items do not appear in index.

Replacement Filter	
F270405.....	51
F270406.....	51
Resistor	
F370116.....	107
Retaining Ring	
F8337801.....	91
F8337901.....	93
F8344901.....	89
F8345001.....	89
Ribbon Cable	
F140219P.....	27
Right Side Panel	
F0636135-00P.....	81
F0636594-00P.....	81
F8155501P.....	81
F8155701P.....	81
F8156601.....	81
F8157301P.....	81
F8160001.....	81
F8160301P.....	81
Rocker Switch	
F340411.....	37
Rod	
F602813-2.....	65
F602813-3.....	65

S

Screw	
F0430165-00.....	13, 17, 19
F0430268-00.....	49
F430100.....	99, 107
F430103.....	57, 59
F430104.....	97
F430107.....	29, 45, 61, 63, 79, 107
F430108.....	29, 45, 113
F430115.....	113
F430124.....	97
F430174.....	15, 21, 23, 49, 73, 75, 77, 79
F430177.....	13, 17, 49
F430179.....	61
F430518.....	83
F430519.....	63
F430532.....	67
F430533.....	67
F430536.....	65
F430903.....	13, 17, 19, 49
F430909.....	17, 19
F430916.....	15, 19, 21, 23, 49, 65
F430922.....	21
F430925.....	79
F430927.....	99
F430928.....	27, 29
F430938.....	13, 17
F430942.....	95
F430948.....	49
F430949.....	89
F430956.....	49, 69, 71, 73, 75
F430977.....	69, 71
F430982.....	69, 71
F430987.....	89, 91, 93
F431702.....	13, 17, 19
F8535601.....	15, 21, 23, 67
M400056.....	79

Shaft Seal	
F100208.....	85
Shaft Seal Sleeve	
F8312001P.....	85
F8312002P.....	85
F8312003P.....	87
F8312004P.....	85
F8312005P.....	85, 87
F8312006P.....	87
F8312008P.....	87
F8343914.....	87
Shaft Seal Sleeve Kit	
F8343901P.....	85
F8343904P.....	85
F8343906P.....	87
F8343909P.....	87
Sheave	
F0280385-00.....	111
H87520334.....	105, 111
Sheave Kit	
F280287P.....	105, 111
Sheave Pulley	
F280170.....	105
F280172.....	99
Shell Band Kit	
F8537801.....	83
F8537803.....	83
F8537804.....	83
Shell Front Assembly	
F0636283-00P.....	83
F632006P.....	83
Shell Front Gasket Kit	
F792000.....	83
Shell Front Kit	
F741300P.....	83
F741302-01.....	83
Shell Weldment	
F063597402P.....	95
F063638801.....	95
F0636460-00.....	95
F0636555-00.....	95
F063659201.....	95
F0636601-00.....	95, 113, 115
F0636700-00.....	95, 113, 115
F0636704-00.....	95, 113, 115
F0636747-00.....	95, 113, 115
F0637054-00.....	95, 113, 115
F0637659-00.....	95
F0637661-00.....	95, 113, 115
F200195400.....	95
F200195402.....	95
F200199700.....	95, 113, 115
F8196202.....	95, 113, 115
Side Panel	
F0635981-00P.....	81
F0635982-00P.....	81
F0636299-00.....	81
F0636300-00P.....	81
F0636515-00P.....	81
F0636516-00P.....	81
F0637628-00P.....	81
F0637630-00P.....	81
F8178001.....	81
F8178101.....	81
Side Panel Assembly	
F200171500P.....	81
F200178200.....	81

N/A items do not appear in index.

F200178900P	81
F8178201	81
F8178401P	81
Signal Light	
F350404	13
Siphon Tube	
F150390	49
Snap Bushing	
F140938	49
Solenoid Harness	
F0636380-00P	69
Spacer	
F431901	69, 71
Spin Rotation Decal	
F230914	11, 67
Spring	
F8504601	53
Spring Pin	
F431222	67
Standoff	
F180501	13, 17, 19
Steam Bracket Assembly	
F601186	113
Steam Filter	
F270307	113
Steam Heat Kit	
F200092800P	113
Steam Hose	
F200153P	113
F200154	113
Steam Injector Tube Assembly	
F8368201	113
Steam Valve Repair Kit	
F380984P	113
Strainer	
F270200	49
Sump Drain Hose	
F0150524-00	59
Supply Dispenser Assembly	
F200202201P	49
Supply Dispenser Baffle	
F150419	57
Supply Dispenser Bezel	
F0150503-00	49
Supply Dispenser Hose	
F0200236-01	57
F8061601	57
F8071701	57, 59
Supply Dispenser Lid	
F200270500	77
Supply Dispenser Standoff	
F0150504-00	49
Supply Dispenser Sub-Assembly	
F602374	49
Switch	
F340901	89, 91
Switch Clamp	
F0340722-00	13, 17, 19
Switch Extension	
F340913	89, 91

T

Tee	
F422806	113, 115
Temperature Probe Assembly	
F8045001	115
Template	
F450127	117
F450246	117
Tension Spring	
F310148	109
Terminal	
F140766	49
Thermostat	
F0290116-00	29
Tie Wrap Mounting Clamp	
F140602	45
Time Delay Assembly	
F200296100P	13, 17
Timer	
F0330404-00P	13, 17, 19
Top Cover Assembly	
F063618900P	77
F063632700	77
F063652000P	77
F063659800P	77
F063664000P	77
F063771200P	77
Transformer	
F360117P	29
F360156P	29
803527P	45, 47
Transformer Mounting Bracket	
F200167700	29, 45
Trim	
F8679201P	65
Triple Lip Seal	
F8202803	91
F8203801	89
F8203802	89, 91
F8203805	91
F8203806	91, 93
Trunnion Kit	
F747001	89
F747002	89, 91
F747003	89, 91
F747005	91, 93
Tubing	
F422404P	113, 115
F606192-5	63

U

U-Bolt Clamp	
F200401P	61, 63
Upper Out-of-Balance Switch Bracket	
F200027400	97

N/A items do not appear in index.

V

Vacuum Breaker Assembly	
F603031	49
Vacuum Breaker Bottom	
F015033000	49
Vacuum Breaker Fill Hose	
F0150340-01	57, 59
Vacuum Breaker Hose	
F0200244-00	49
F0200244-01	49
F0200244-02	49
F150321	57
F150340	57
Vacuum Breaker Top	
F0150329-00	49
Valve	
F8322801P	113
Valve Kit	
F8379501P	113
Valve Panel Assembly	
F0636138-00	79
F0636138-01	79
F0636297-00	79
F0636297-01	79
F0636521-00	79
F0636524-01	79
Valve Panel Sub-Assembly	
F0636524-03	79
Valve, 3-Way	
F0381736-00P	49
F0381737-00P	49
F0381738-00P	49
F0381750-00P	49
Velcro	
F140639	15, 21, 23
Ventilation Seal	
F0100316-00P	79

W

Washer	
F0430348-00	79
F0431159-00	99
F430303	95
F430311	13, 17, 19
F430317	57, 59, 61, 83
F430325	101, 103, 109
F431100	69, 71
F431113	29, 67
F431115	107
F431123	69, 71
F431128	89
F431131	91, 93
F431133	15
F431147	69, 71, 77
F431902	69, 71
F431916	67
F8195301	19
M400080	97
M400081	95
M405535	73, 75
20290	51
803615	51

N/A items do not appear in index.

901690	63
Water Hose	
F200108P	49
F200164	51
F200165	51
F200166	51
Water Level Switch	
F0340343-10P	27
F0340345-10P	27
Water Pressure Switch	
F8223001P	27, 113, 115

Y

Y Connector	
F422808	49
