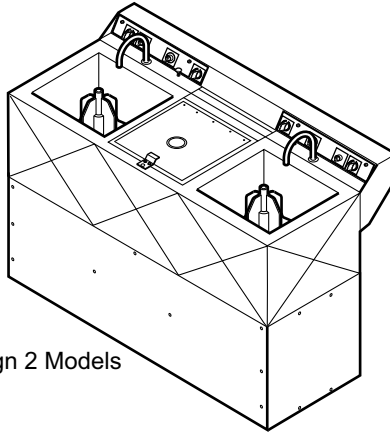


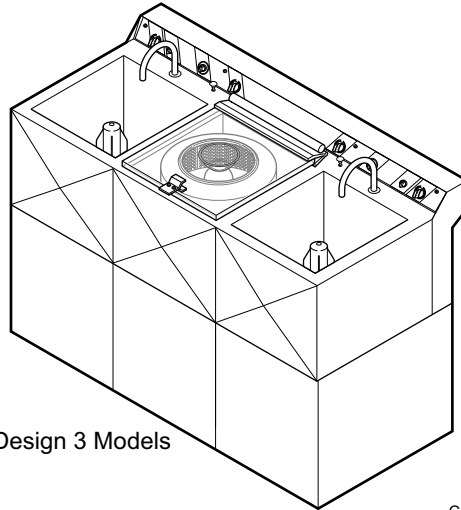
# Washer-Extractor

Twin Tub

UM202 - Design 2 and 3 Models



Design 2 Models



Design 3 Models

CAR5C\_F232208



# Table of Contents

Title	Page
Parts Ordering Information.....	2
Serial Plate Location .....	2
Model Identification .....	3
Panels, Tub and Frame - Design 2 Models .....	4
Panels, Tub and Frame - Design 3 Models .....	6
Lid - Models Through June 2007 .....	8
Lid - Models Starting July 2007.....	10
Lid Lock Assembly .....	12
Lock - Design 2 Models .....	14
Lock - Design 3 Models .....	16
Control Panel - Design 2 Models .....	18
Control Panel - Design 3 Models .....	20
Electrical Box - Design 2 Models (Drawing 1 of 2).....	22
Electrical Box - Design 2 Models (Drawing 2 of 2).....	24
Electrical Box - Design 3 Models .....	26
Spray-Rinse and Fill Plumbing.....	28
Drain Plumbing .....	30
Drain Valve .....	32
Motor - Design 2 Models .....	34
Motor - Design 3 Models .....	36
Transmission and Agitator Assembly - Models Through August 2003 .....	38
Transmission and Agitator Assembly - Models Starting September 2003 Through December 2011 .....	40
Transmission and Agitator Assembly - Models Starting January 2012.....	42
Parts Index.....	45

© Copyright 2024, Alliance Laundry Systems LLC

All rights reserved. No part of the contents of this book may be reproduced or transmitted in any form or by any means without the expressed written consent of the publisher.

## Parts Ordering Information

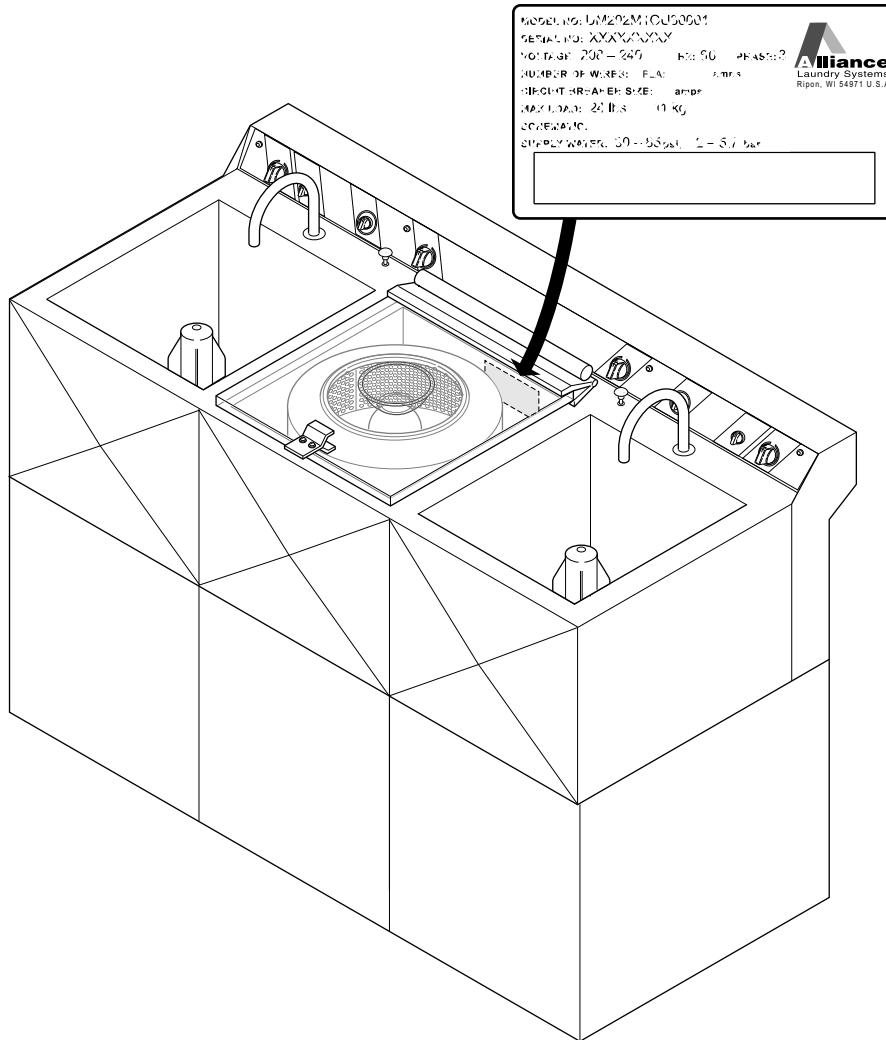
If literature or replacement parts are required, contact the source from whom the machine was purchased or contact Alliance Laundry Systems at (920) 748-3950 for the name and address of the nearest authorized parts distributor.

For technical assistance, call the number listed below:

(920) 748-3121 Ripon, Wisconsin

## Serial Plate Location

When calling or writing about your product, be sure to mention model and serial numbers. Model and serial numbers are located on serial plate as shown.



CAR37N\_F232208

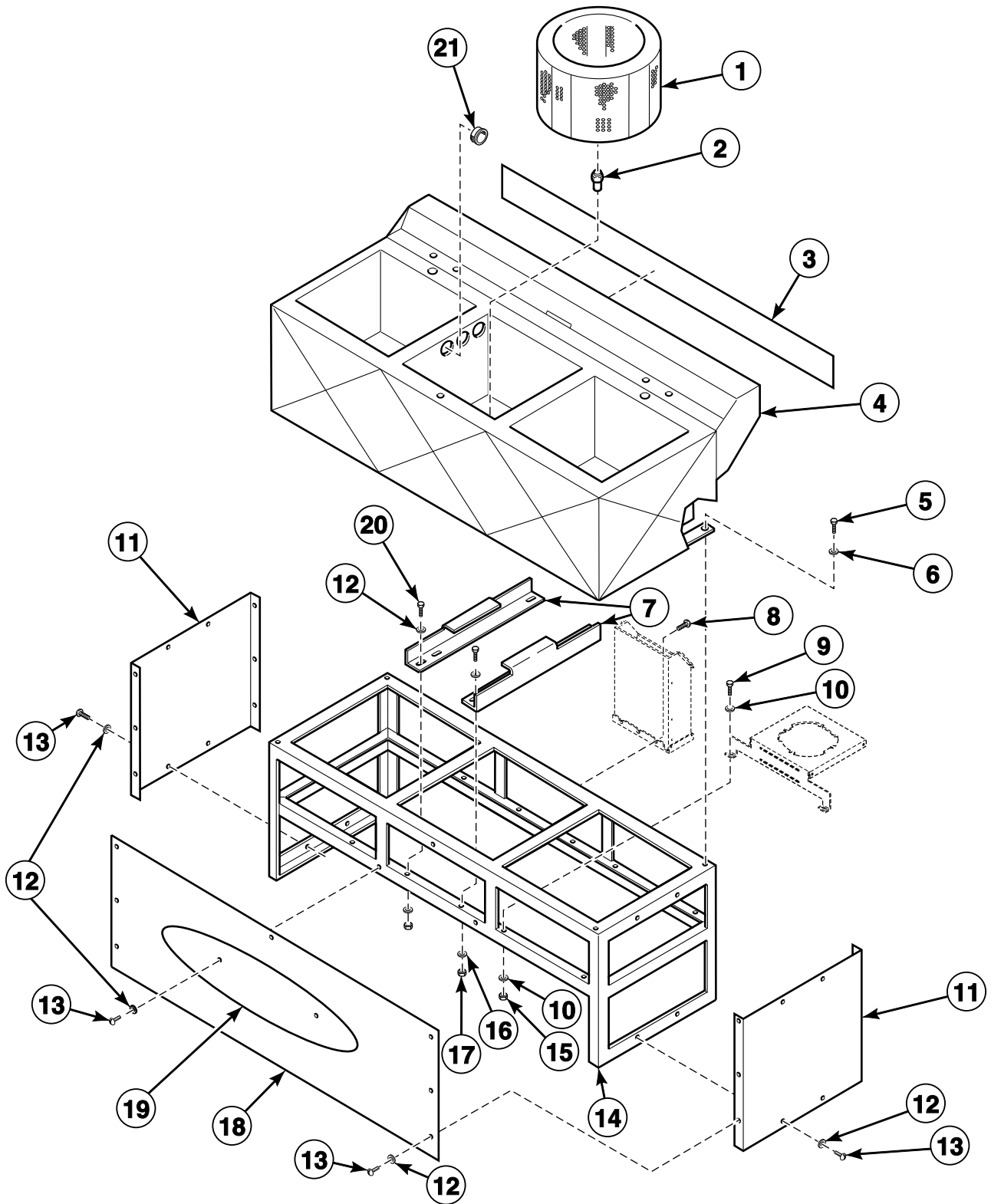
# Model Identification

Information in this manual is applicable to this washer-extractor model:

UM202

**NOTE:** Models with a 2 or 3 in the 10th character in the model number (e.g., UM202M1AU20001 or UM202M1AU30001). This character denotes model design series.

# Panels, Tub and Frame - Design 2 Models

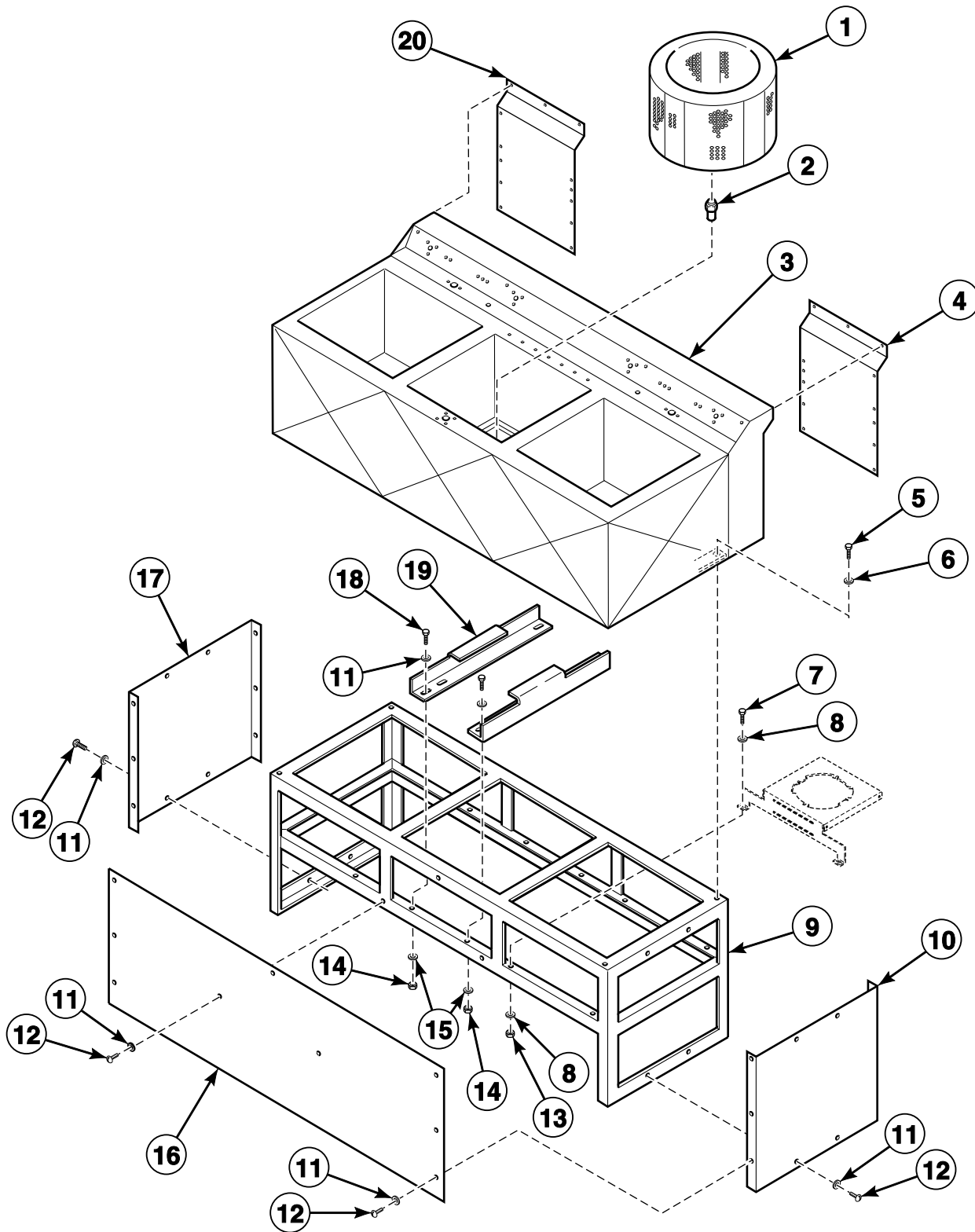


CAR2423P\_F232208

## Panels, Tub and Frame - Design 2 Models

REF	PART NO.	DESCRIPTION	COMMENTS
	F730109	Basket Hub Center Kit	Replacement kit for item 1
1	F602568P	Basket Assembly	
2	F015030401	Basketball	Slides onto motor shaft
3	F601138	Electrical Back Panel	
4	F200144300	Tub Assembly	
5	F430906	Screw	
6	F431112	Washer	
7	F601486	Motor Rail	
8	F430115	Screw	
9	F430107	Screw	
10	F430317	Washer	
11	F602496	End Wrap	
12	F431104	Washer	
13	F430923	Screw	
14	F200145100	Frame Weldment	
15	F430215	Nut	
16	M400081	Washer	
17	F430218	Nut	
18	F8461701	Skirt Panel	
19	F230806	Logo Decal	
20	F430116	Screw	
21	F140938	Snap Bushing	

# Panels, Tub and Frame - Design 3 Models



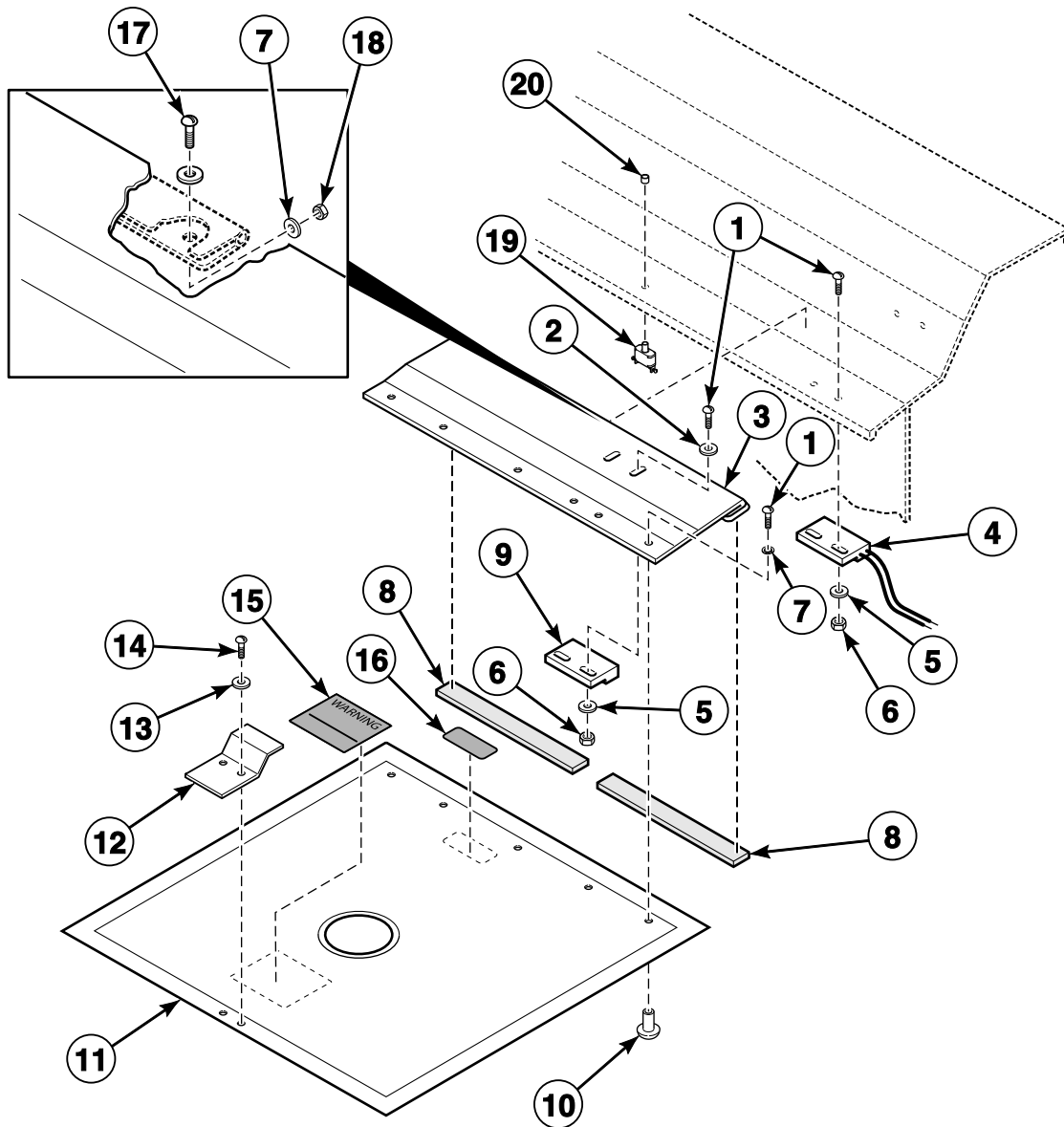
CAR2437P\_F232208



## Panels, Tub and Frame - Design 3 Models

REF	PART NO.	DESCRIPTION	COMMENTS
	F730109	Basket Hub Center Kit	Replacement kit for item 1
1	F602568P	Basket Assembly	
2	F015030401	Basketball	Slides onto motor shaft
3	F8191901	Tub Assembly	
4	F8192001	Rear Panel	Right
5	F430906	Screw	
6	F431112	Washer	
7	F430107	Screw	
8	F430317	Washer	
9	F200145100	Frame Weldment	
10	F8189201	Side Wrap	Right
11	F431104	Washer	
12	F430923	Screw	
13	F430215	Nut	
14	F430218	Nut	
15	M400081	Washer	
16	F8458101	Front Skirt Assembly	
17	F8189202	Side Wrap	Left
18	F430116	Screw	
19	F601486	Motor Rail	
20	F8192002	Rear Panel	Left

# Lid - Models Through June 2007

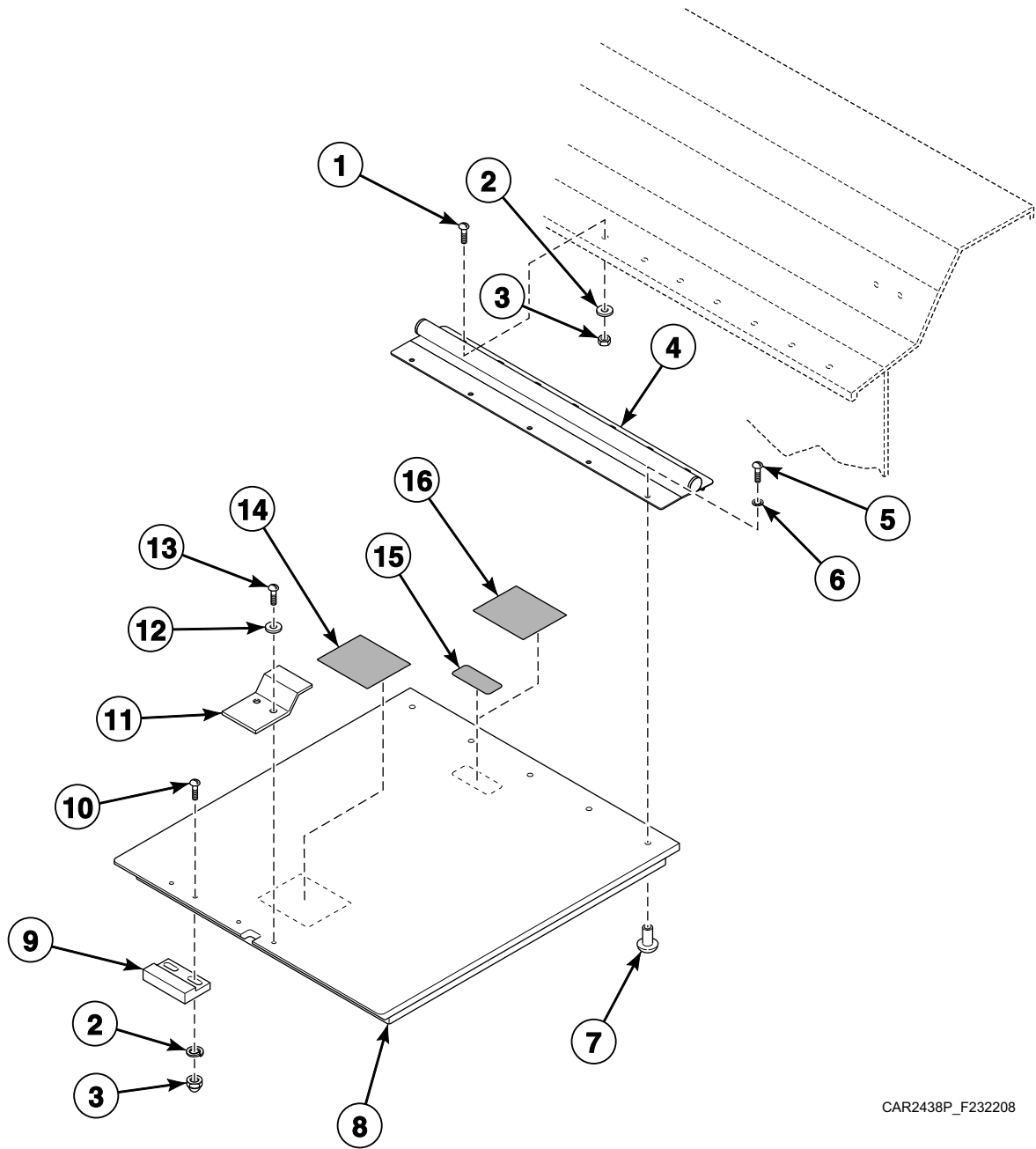


CAR2422P\_F232208

## Lid - Models Through June 2007

REF	PART NO.	DESCRIPTION	COMMENTS
1	F430916	Screw	
2	F431125	Washer	
3	F200171000	Lid Hinge Assembly	
4	F8746601	Magnetic Switch Assembly	
5	F431113	Washer	
6	F431022	Nut	
7	F431106	Washer	
8	F200001609	Gasket	
9	F200162700	Magnetic Switch Magnet	
10	F430147	Rivet Post	
11	F730371	Extractor Lid Kit	
12	F200194600P	Lid Handle Weldment	
13	F431102	Washer	
14	F430920	Screw	
15	F230757	Machine May Be Hot Warning Decal	
16	F230607	Rotation Decal	
17	F430903	Screw	
18	F431000	Nut	
19	F340403P	Switch	
20	F340409	Pushbutton Boot	

# Lid - Models Starting July 2007

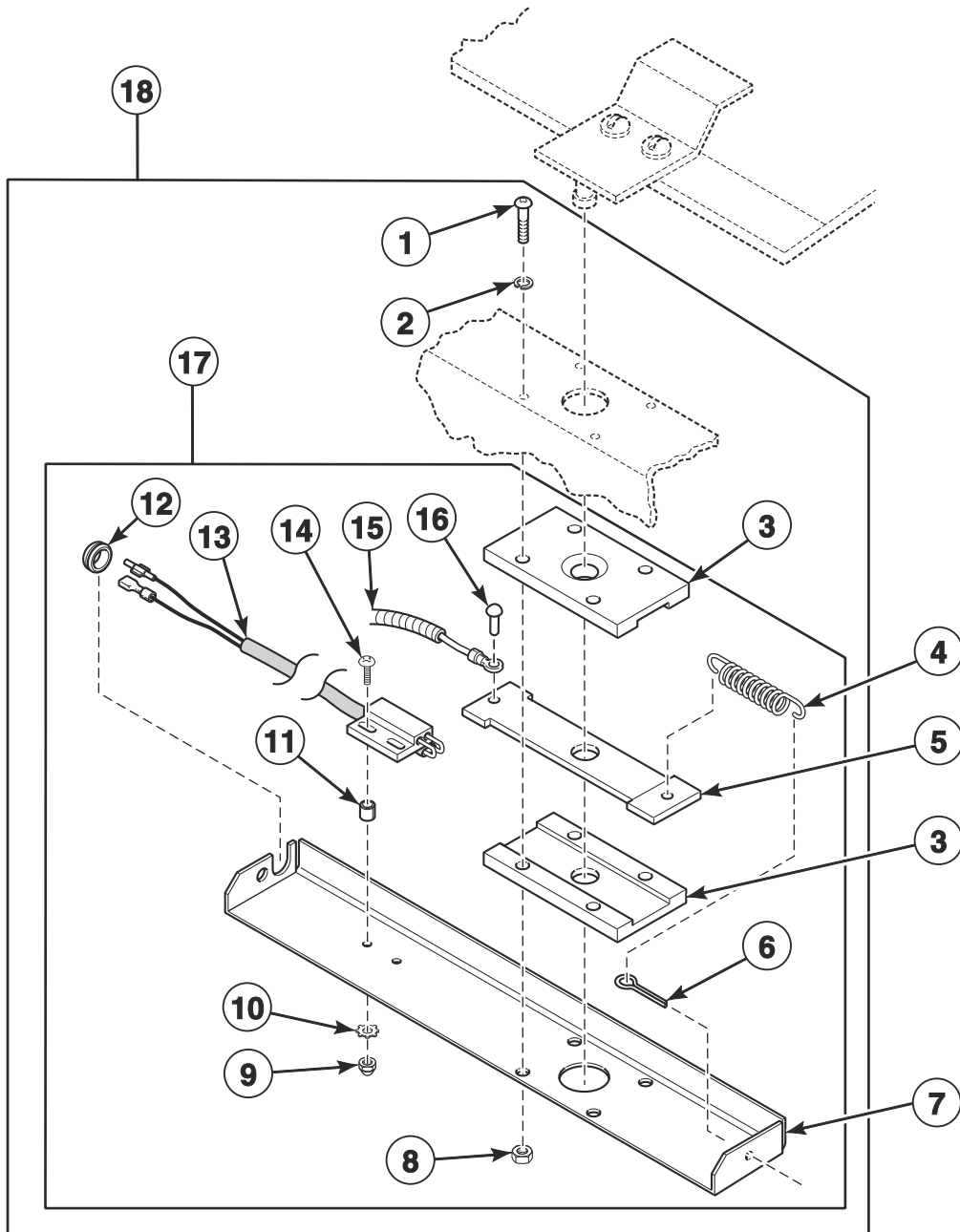


CAR2438P\_F232208

## Lid - Models Starting July 2007

REF	PART NO.	DESCRIPTION	COMMENTS
1	F430903	Screw	
2	F8133901	Washer	
3	F8132301	Nut	
4	F8120901	Lid Hinge Assembly	
5	F430916	Screw	
6	F431106	Washer	
7	F430147	Rivet Post	
8	F730371	Extractor Lid Kit	Includes F8120602 Extractor Lid and items 6 and 14
9	F200162700	Magnetic Switch Magnet	
10	F8164201	Screw	
11	F200194600P	Lid Handle Weldment	
12	F431102	Washer	
13	F430920	Screw	
14	F230757	Machine May Be Hot Warning Decal	Models through 1/10/2012
	F8319701	Warning Label	Models starting 1/11/2012
15	F230607	Rotation Decal	Models through 1/10/2012
16	F8011501	Warning Label	Models starting 1/11/2012

# Lid Lock Assembly

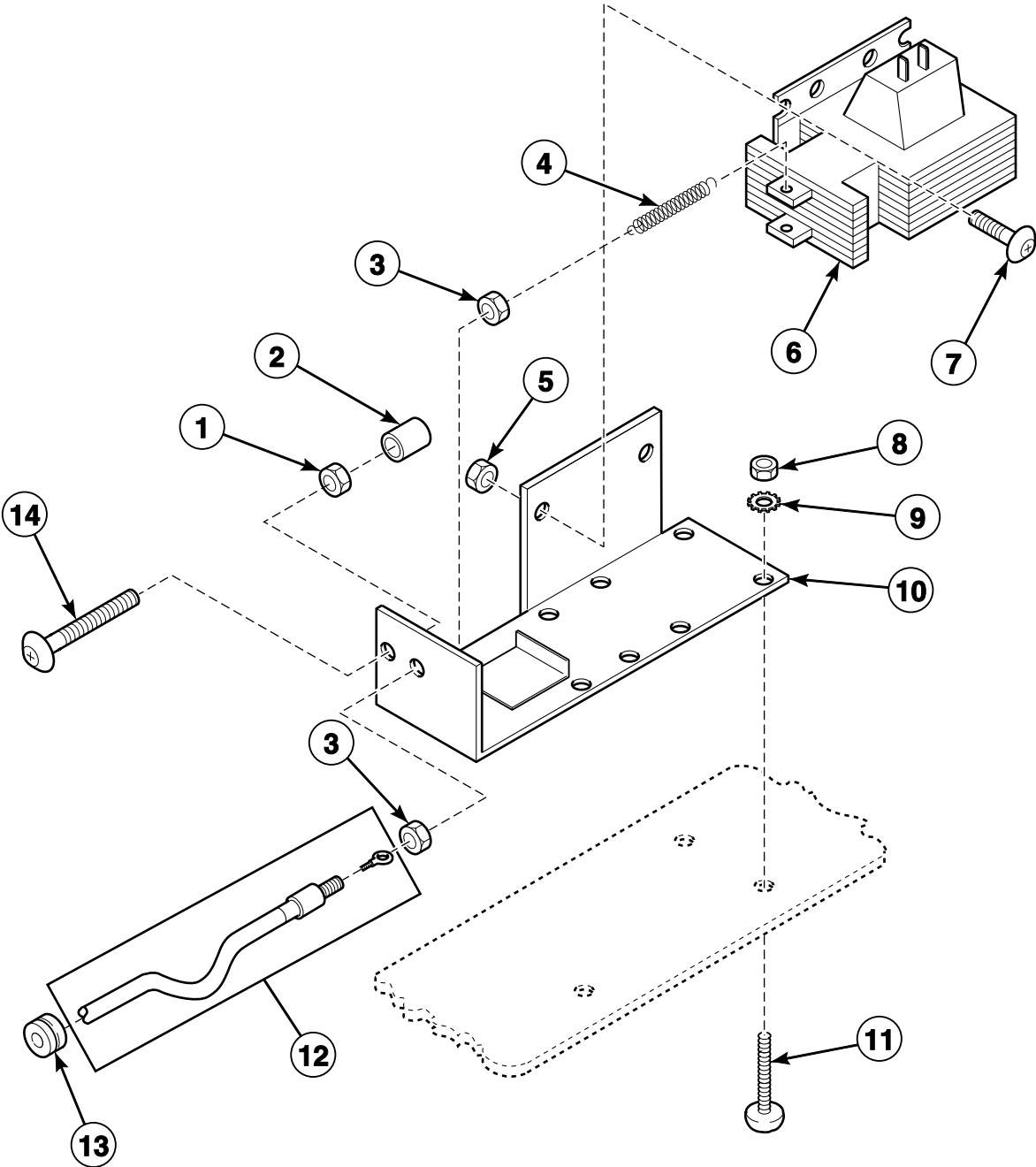


CAR2451P\_F232208

# Lid Lock Assembly

REF	PART NO.	DESCRIPTION	COMMENTS
1	F432291	Screw	
2	F431102	Washer	Models starting 1/11/2012
3	F150354	Lid Lock Slide Carrier	
4	F310128	Lid Lock Spring	
5	F8624801	Lid Lock Slide	
6	F431216	Cotter Pin	
7	F8149001	Support Bracket	
8	44071201	Nut	
9	F8132301	Nut	Models starting 7/10/2007
10	F8133901	Washer	Models starting 7/10/2007
11	F431911	Nylon Sleeve	2
12	802218	Grommet	Models starting 7/10/07 through 1/10/2012
	F8242801	Grommet	Models starting 1/11/2012
13	F8126401P	Magnetic Sensor Switch Assembly	Models starting 7/10/07 through 1/10/2012
	F8197301	Magnetic Sensor Switch Assembly	Models starting 1/11/2012
14	F8132401	Screw	Models starting 7/10/2007 through 1/10/2012
	F8164201	Screw	Models starting 1/11/2012
15	F190800	Lid Lock Cable	
16	F431210	Pop Rivet	
17	F730368P	Lid Lock and Cable Kit	Includes items 2-16; Old style
18	F605423P	Lid Lock Assembly	Includes items 1-16 and the lid handle assembly; New style; Models through 1/10/2012
	F8242001	Lid Lock Assembly	Includes items 1-16; Models starting 1/11/2012

# Lock - Design 2 Models



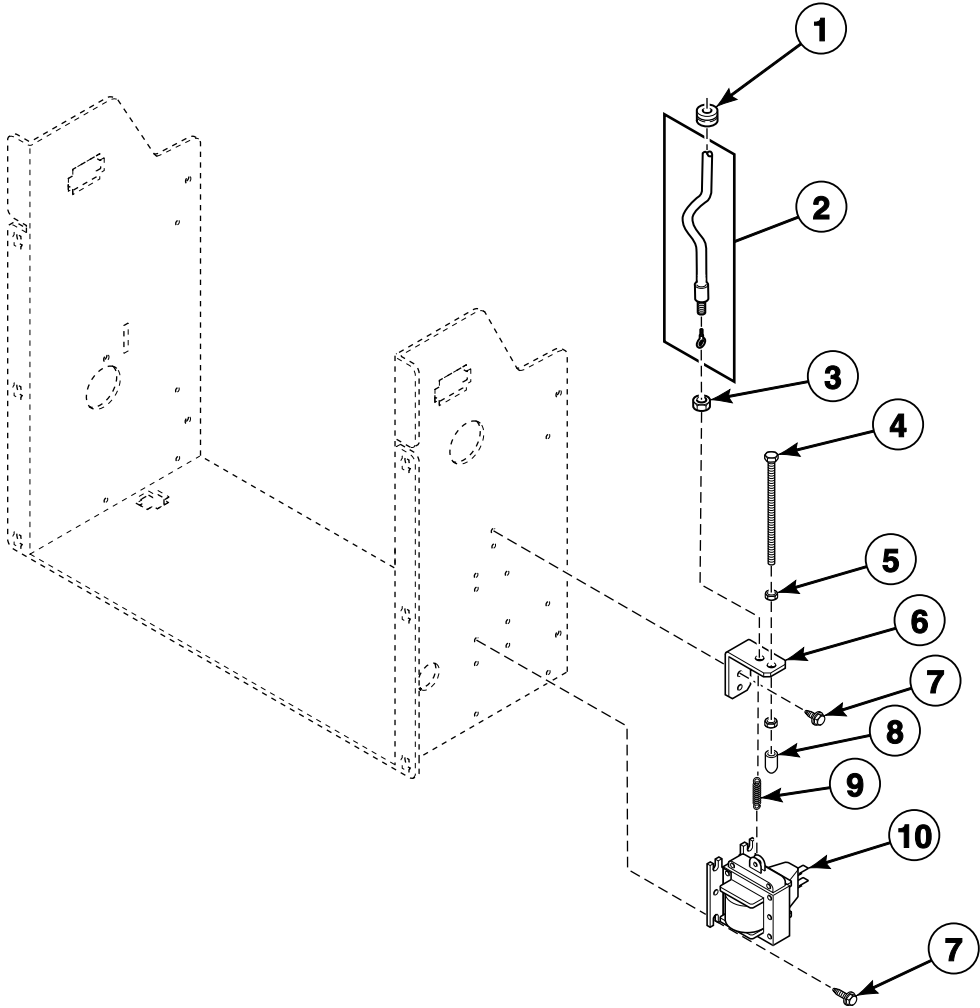
CAR1711P\_F232208



## Lock - Design 2 Models

REF	PART NO.	DESCRIPTION	COMMENTS
1	F431005	Nut	
2	F190310	Cap	
3	F430209	Nut	
4	F310105	Solenoid Spring	
5	F431017	Nut	
6	F300107	Lid Lock Solenoid	220 Volt
7	F430920	Screw	
8	F431000	Nut	
9	F431106	Washer	
10	F602483	Lid Lock Mounting Bracket Assembly	
11	F430903	Screw	
12	F190800	Lid Lock Cable	
13	685834	Grommet	
14	F430996	Screw	

# Lock - Design 3 Models

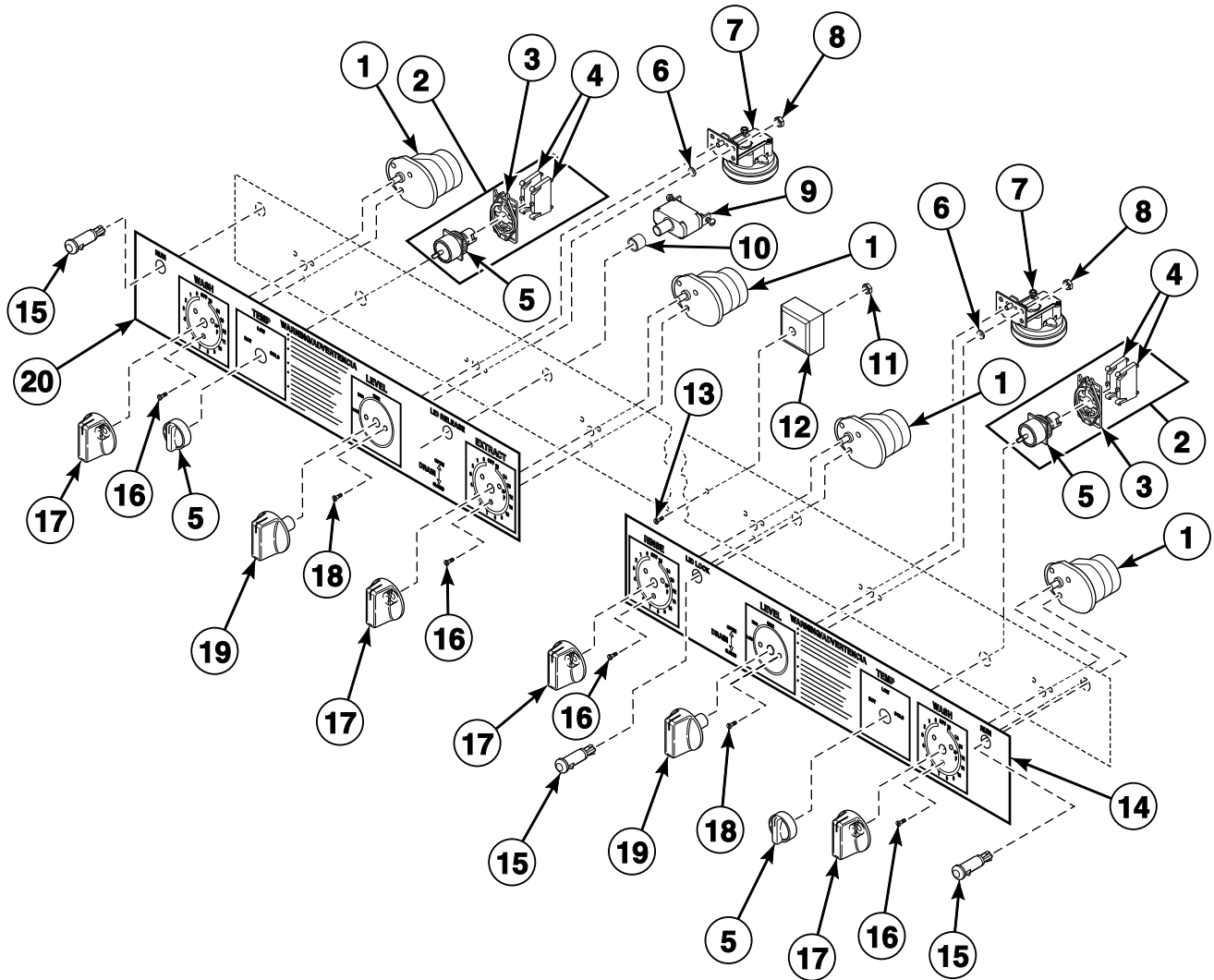


CAR2439P\_F232208

## Lock - Design 3 Models

REF	PART NO.	DESCRIPTION	COMMENTS
1	685834	Grommet	
2	F190800	Lid Lock Cable	
3	F430209	Nut	
4	F430996	Screw	
5	F431005	Nut	
6	F8266201	Solenoid Bracket	
7	D503688	Screw	
8	F190310	Cap	
9	F8595301	Solenoid Spring	
10	F300107	Lid Lock Solenoid	220 Volt

# Control Panel - Design 2 Models

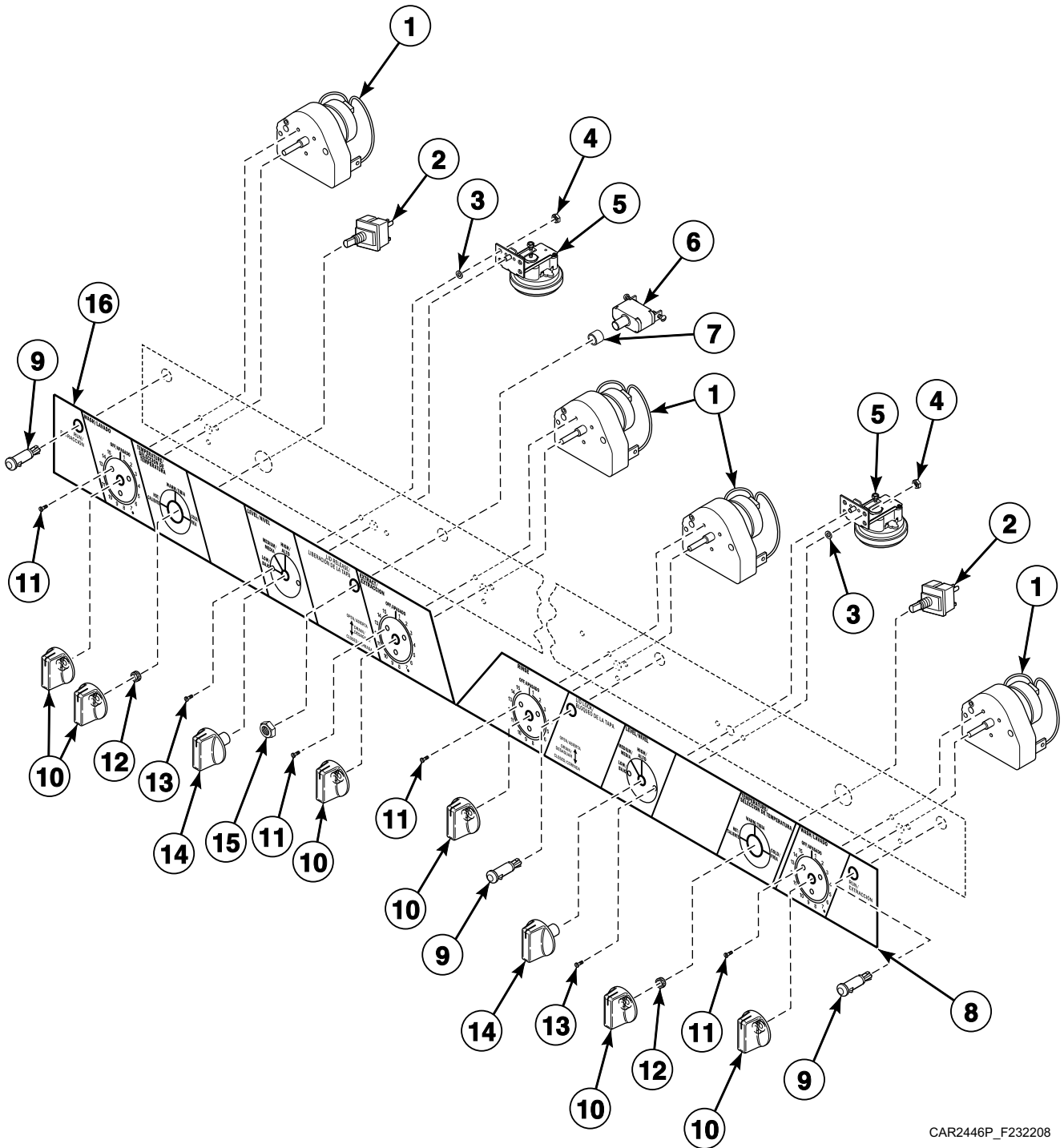


CAR2429P\_F232208

## Control Panel - Design 2 Models

REF	PART NO.	DESCRIPTION	COMMENTS
	F200148500	Clock Panel Harness	Models through 7/9/2007
	F8130101P	Clock Panel Harness	Models starting 7/10/2007
1	F200162500	Timer Assembly	220 Volt/60 Hertz; Includes items 16 and 17
	F952P3	Timer Kit	230 Volt/50/60 Hertz; Includes 00454 Terminal
	F8111201	Timer and Terminal Assembly	220 Volt/50 Hertz; Includes 00454 Terminal
	F8111401	Timer Assembly	220 Volt/50 Hertz; Includes items 16 and 17
2	F8070101	Selector Switch	Models starting 1/1/2008; 800 F-series; Temperature; Includes items 3-5
3	F200233401P	Contact Block Switch	Includes F8069501 Contact Switch and F8538101 Contact Base
	F8538101	Contact Base	
4	F340445	Contact Block Switch	Models through 12/31/2007; 800 E-series; Temperature; Order F8070101P Selector Switch Kit
	F8069501	Contact Switch	Models starting 1/1/2008; 800 F-series; Temperature
5	F8069801	Selector Switch	Models starting 1/1/2008; 800 F-series
6	F431106	Washer	
7	35889P	Pressure Switch	
8	F431000	Nut	
9	F340403P	Switch	
10	F340409	Pushbutton Boot	
11	F431017	Nut	
12	F330206	Relay	
13	F432291	Screw	
14	F200143701	Wash/Rinse Decal	Right
15	F350404	Signal Light	
16	F430998	Screw	
17	JA-57012	Timer Knob	
18	F430903	Screw	
19	F200142900	Knob	
20	F200143601	Wash/Extract Decal	Left

# Control Panel - Design 3 Models

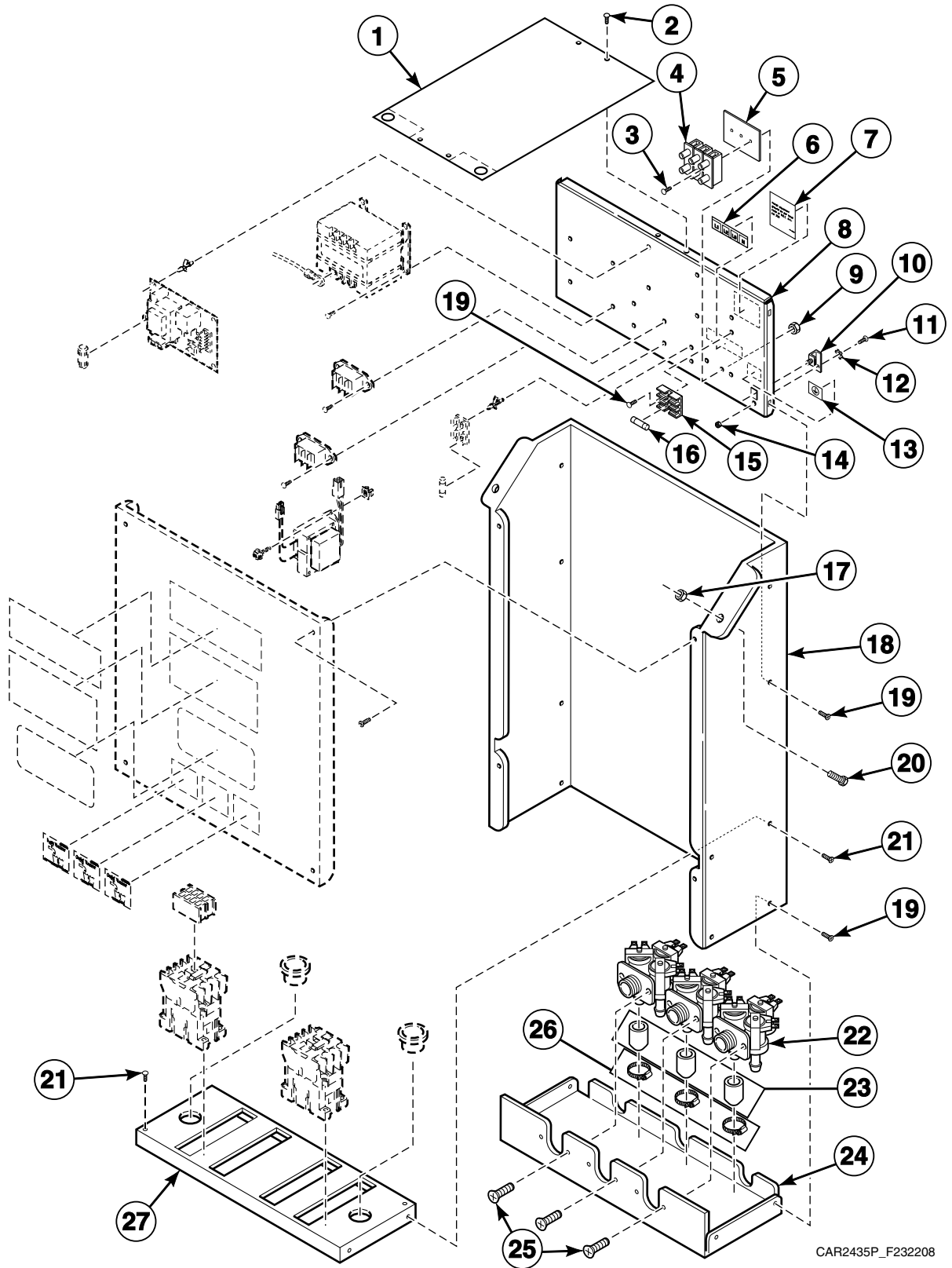


CAR2446P\_F232208

## Control Panel - Design 3 Models

REF	PART NO.	DESCRIPTION	COMMENTS
	F200148500	Clock Panel Harness	Models through 7/9/2007
	F8130101P	Clock Panel Harness	Models starting 7/10/2007
<b>1</b>	70131801P	Timer	24 Volt/50 or 60 Hertz
<b>2</b>	27761	Switch	
<b>3</b>	F431106	Washer	
<b>4</b>	F431000	Nut	
<b>5</b>	35889P	Pressure Switch	
<b>6</b>	55882	Switch Assembly	
<b>7</b>	F340409	Pushbutton Boot	
<b>8</b>	F8209401	Control Overlay	Right
<b>9</b>	70082201	Indicator Light	
<b>10</b>	JA-57012	Timer Knob	
<b>11</b>	F430998	Screw	
<b>12</b>	24206	Nut	
<b>13</b>	F430903	Screw	
<b>14</b>	F200142900	Knob	
<b>15</b>	52947	Nut	
<b>16</b>	F8209301	Control Overlay	Left

# Electrical Box - Design 2 Models (Drawing 1 of 2)

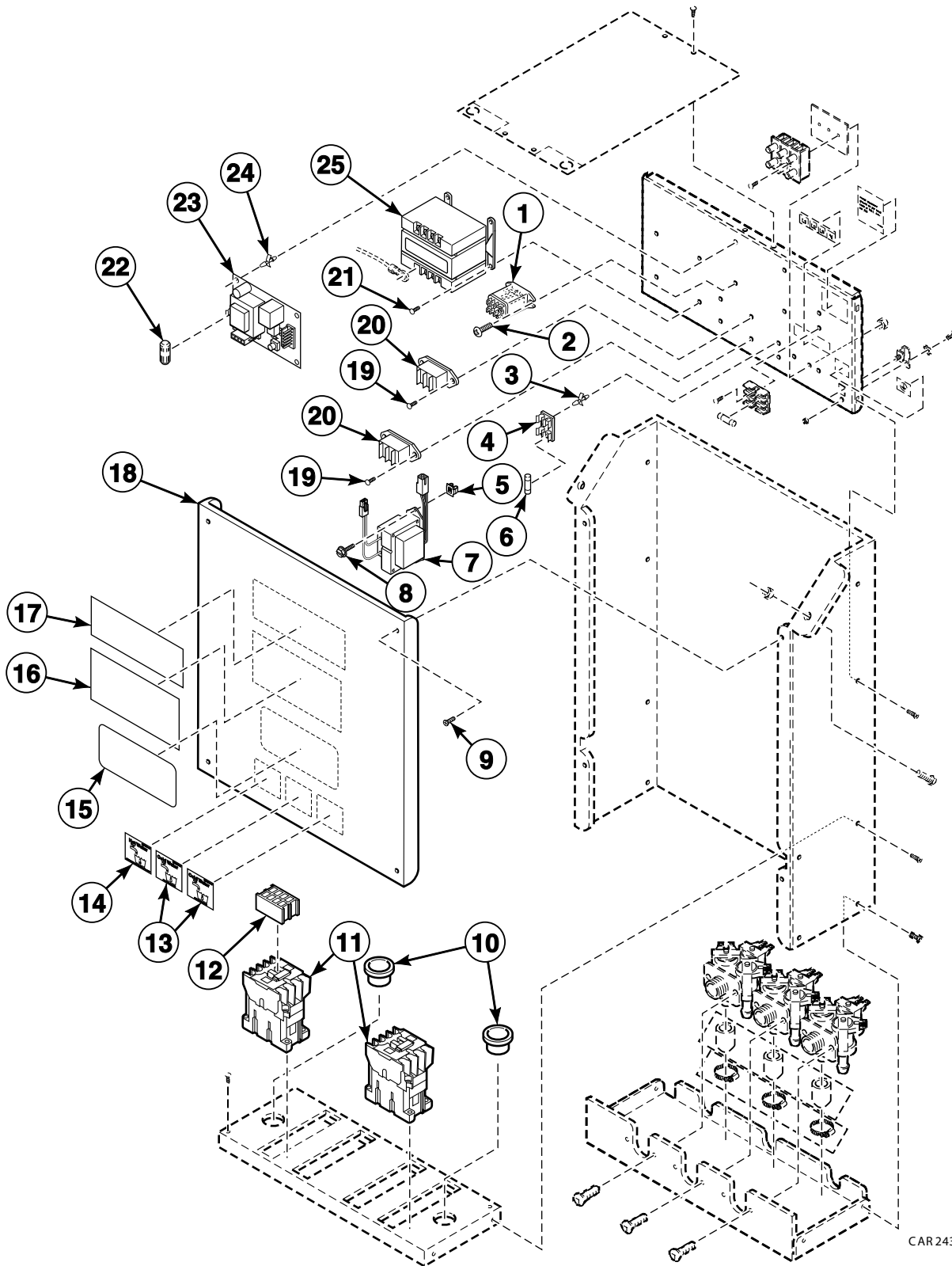




## Electrical Box - Design 2 Models (Drawing 1 of 2)

REF	PART NO.	DESCRIPTION	COMMENTS
	F200148300P	Control Box Harness	Models through 7/9/2007
	F8130201P	Control Box Harness	Models starting 7/10/2007
	F8379503P	Valve Transition Kit	Use with F8322803 Valve
	F8382301	DIN Valve Adapter Kit	Use with F8322803 Valve
	F8514601P	Coil	Use with F8322803 Valve
	G582P3	Diaphragm and Guide Kit	Use with F0381738-00P 3-Way Valve
<b>1</b>	F200280700	Motor Drip Shield	
<b>2</b>	F430956	Screw	
<b>3</b>	F430938	Screw	
<b>4</b>	F140746	Input Power Block	4 terminal; C-voltage
	F140747	Input Power Block	3 terminal; All other voltage models
<b>5</b>	F0230111-00	Input Power Block Insulator	
<b>6</b>	F0230109-00	Input Power Block Decal	
<b>7</b>	F230630	Ground Decal	
<b>8</b>	F200130600	Clinch Plate Assembly	
<b>9</b>	F430231	Nut	
<b>10</b>	F140734	Ground Terminal Lug	
<b>11</b>	F430995	Screw	
<b>12</b>	F431106	Washer	
<b>13</b>	F230739	Ground Decal	
<b>14</b>	F431006	Nut	
<b>15</b>	J1401884	Fuse Holder	
<b>16</b>	J1477496	Fuse	
<b>17</b>	F431024	Nut	
<b>18</b>	F200128900	Electrical Control Box Wrap	
<b>19</b>	201415	Screw	
<b>20</b>	F430923	Screw	
	J1333285	Screw	
<b>21</b>	201415	Screw	
<b>22</b>	F0381738-00P	3-Way Valve	
	F8322803P	Valve	Replaces F381703P Valve; Includes F8322803 Valve and F8514601 Coil
<b>23</b>	F8197701	Cap	3 required
<b>24</b>	F200130700	Clinch Plate Assembly	
<b>25</b>	F430948	Screw	
<b>26</b>	36801	Hose Clamp	3 required
<b>27</b>	F200129100	Contacting Mounting Plate	

# Electrical Box - Design 2 Models (Drawing 2 of 2)

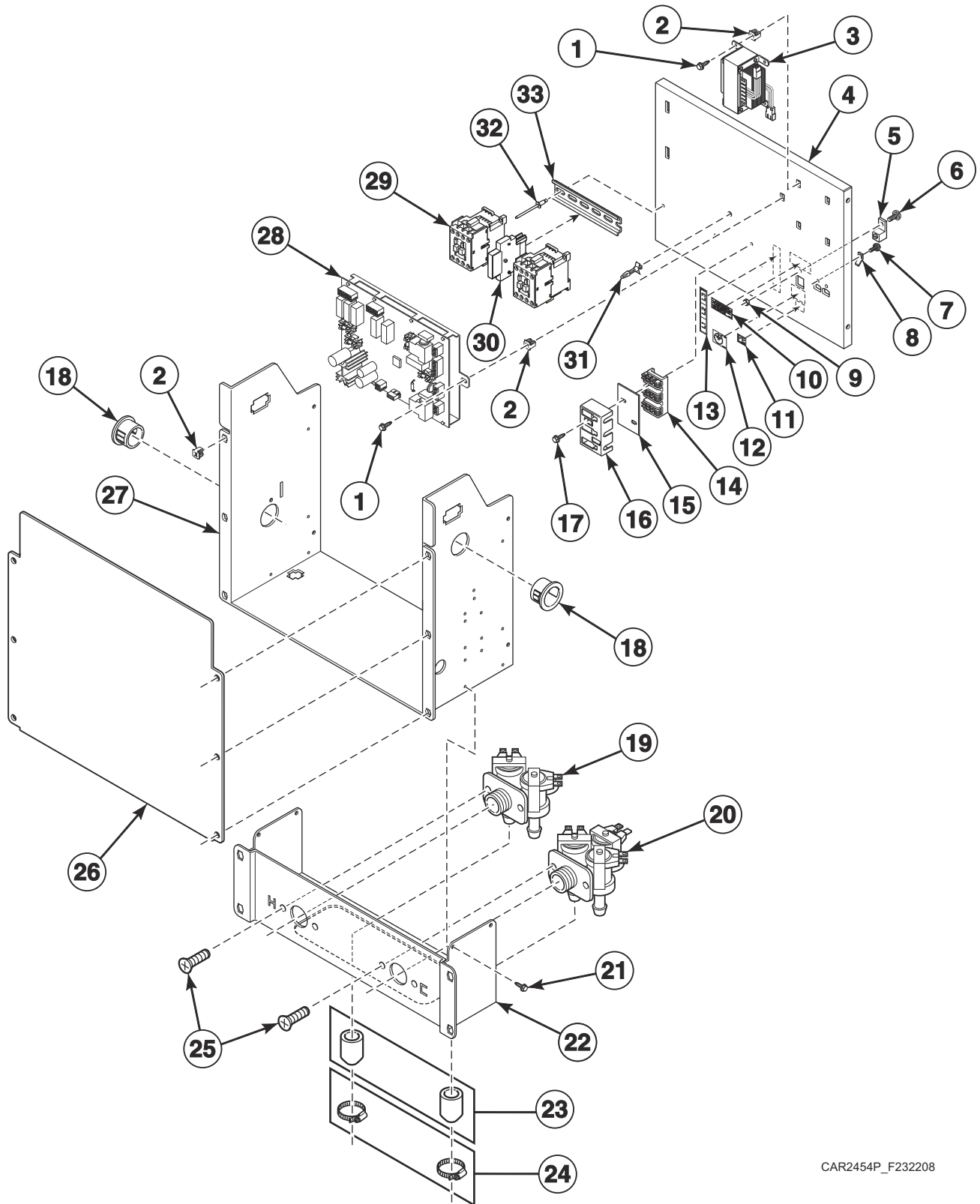


CAR2436P\_F232208

## Electrical Box - Design 2 Models (Drawing 2 of 2)

REF	PART NO.	DESCRIPTION	COMMENTS
1	M412534	Relay	24 Volt; Not on all models
2	F430917	Screw	
3	F180506	Standoff	
	F430938	Screw	
4	F0350312-10	Fuse Holder	
5	70030501	Expansion Clip	
6	F350110	Fuse	1 Amp; Slo blo
7	201616P	Transformer	220/24 Volt; Not on all models
8	F8117601	Screw	
9	201415	Screw	
10	F140938	Snap Bushing	
11	F330177P	Contactora	C16
12	F330185P	Auxiliary Contactora	100-FA11
13	F0231368-00	Cold Water Valve Decal	
14	F0231367-00	Hot Water Valve Decal	
15	F230301	This Machine Must Be Protected Decal	
16	F230300	Motor Equipped with Auto Decal	
17	D505281	Disconnect Power Warning Label	
18	F200129300	Electrical Box Cover	
19	F0430165-00	Screw	
20	F330230	Flange Relay	
21	201415	Screw	
22	F350148	Fuse	1/4 Amp; Fast blo
23	F0370453-00P	Rotation Detection CCA	
24	F180501	Standoff	
25	F360156P	Transformer	F-voltage

# Electrical Box - Design 3 Models

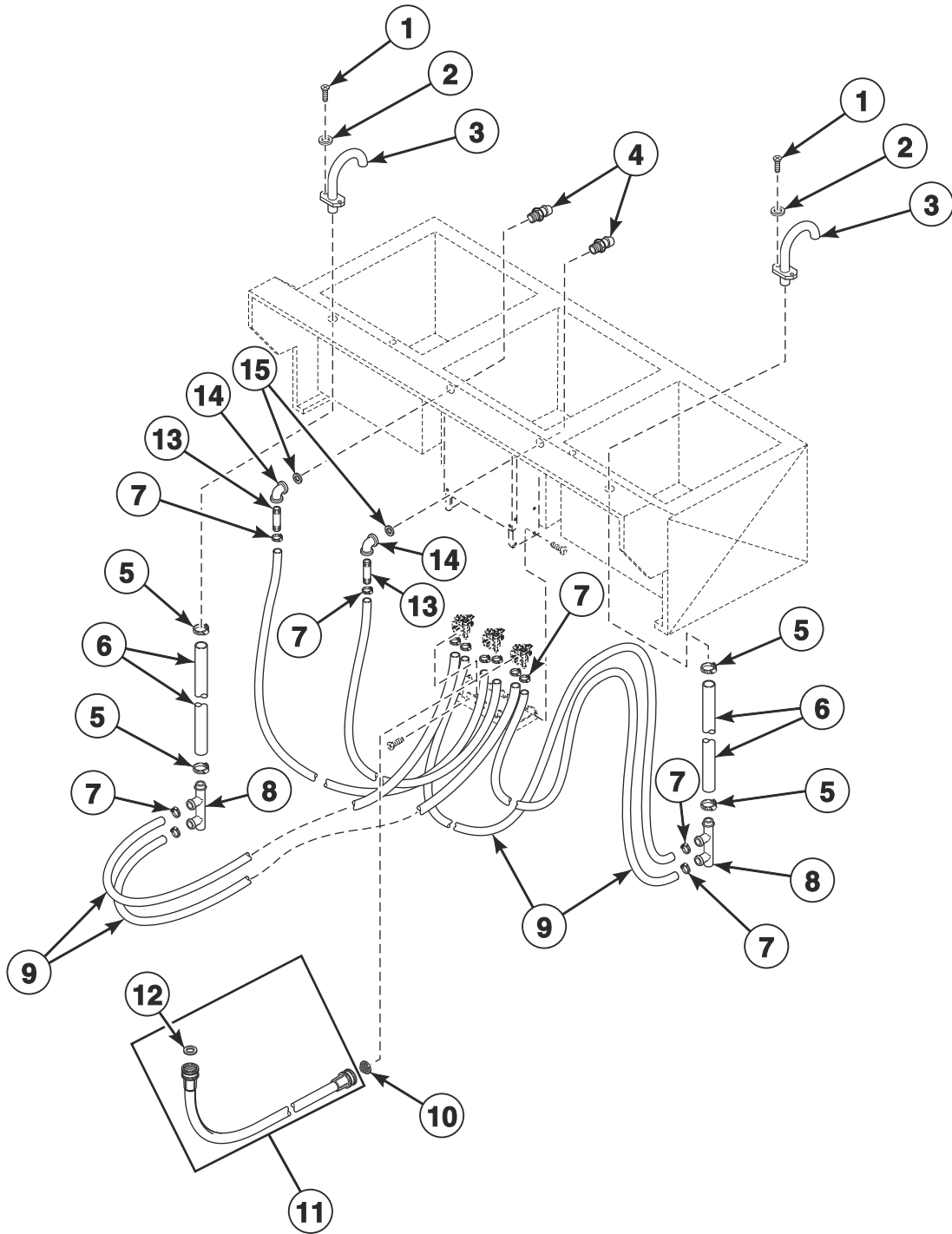


CAR2454P\_F232208

## Electrical Box - Design 3 Models

REF	PART NO.	DESCRIPTION	COMMENTS
	F8210301	Main Harness	
	F8130201P	Control Box Harness	
	M413506	Jumper Harness Assembly	208 Volt
	M413507	Jumper Configuration Assembly	240 Volt
	G582P3	Diaphragm and Guide Kit	Use with F0381738-00P 3-Way Valve
	F8611601	Warning Label	English/French
	70406501	Fuse	1.25 Amp
	M413867	Fuse	2 Amp
	M413889	Fuse	4 Amp
<b>1</b>	430497	Screw	
<b>2</b>	70030501	Expansion Clip	
<b>3</b>	M414228P	Transformer	
<b>4</b>	F8188801	Electrical Plate	
<b>5</b>	M411283	Ground Lug Connector	
<b>6</b>	F430909	Screw	
<b>7</b>	51780	Screw	
<b>8</b>	00177	Male Tab Terminal	
<b>9</b>	F431006	Nut	
<b>10</b>	F8242201	Use Copper Conductors Only Caution Label	
<b>11</b>	M412096	Earth Terminal Sticker	
<b>12</b>	F230739	Ground Decal	
<b>13</b>	70218701	Wire Label	
<b>14</b>	430642	Terminal Block	
<b>15</b>	M413862	Insulator	
<b>16</b>	70333001	Terminal Block Shield	
<b>17</b>	51783	Screw	
<b>18</b>	70346501	Bushing	
<b>19</b>	F8637301	2-Way Valve	Standard
	F8637302	2-Way Valve	Metric
<b>20</b>	F0381767-00P	3-Way Valve	Standard
	F0381771-00	3-Way Valve	Metric
<b>21</b>	201415	Screw	
<b>22</b>	F8192401	Valve Box	
<b>23</b>	F8197701	Cap	3 required
<b>24</b>	36801	Hose Clamp	3 required
<b>25</b>	F430948	Screw	
<b>26</b>	F8192501	Electrical Box Cover	
<b>27</b>	F8192201	Electrical Box	
<b>28</b>	F8186401P	Control Assembly	
<b>29</b>	F330176P	Contacto	
<b>30</b>	F330186P	Interlock Contacto	
<b>31</b>	F140626	Pushmount Clamp	
<b>32</b>	70058501	Pop Rivet	
<b>33</b>	F8200101	DIN Rail	

# Spray-Rinse and Fill Plumbing

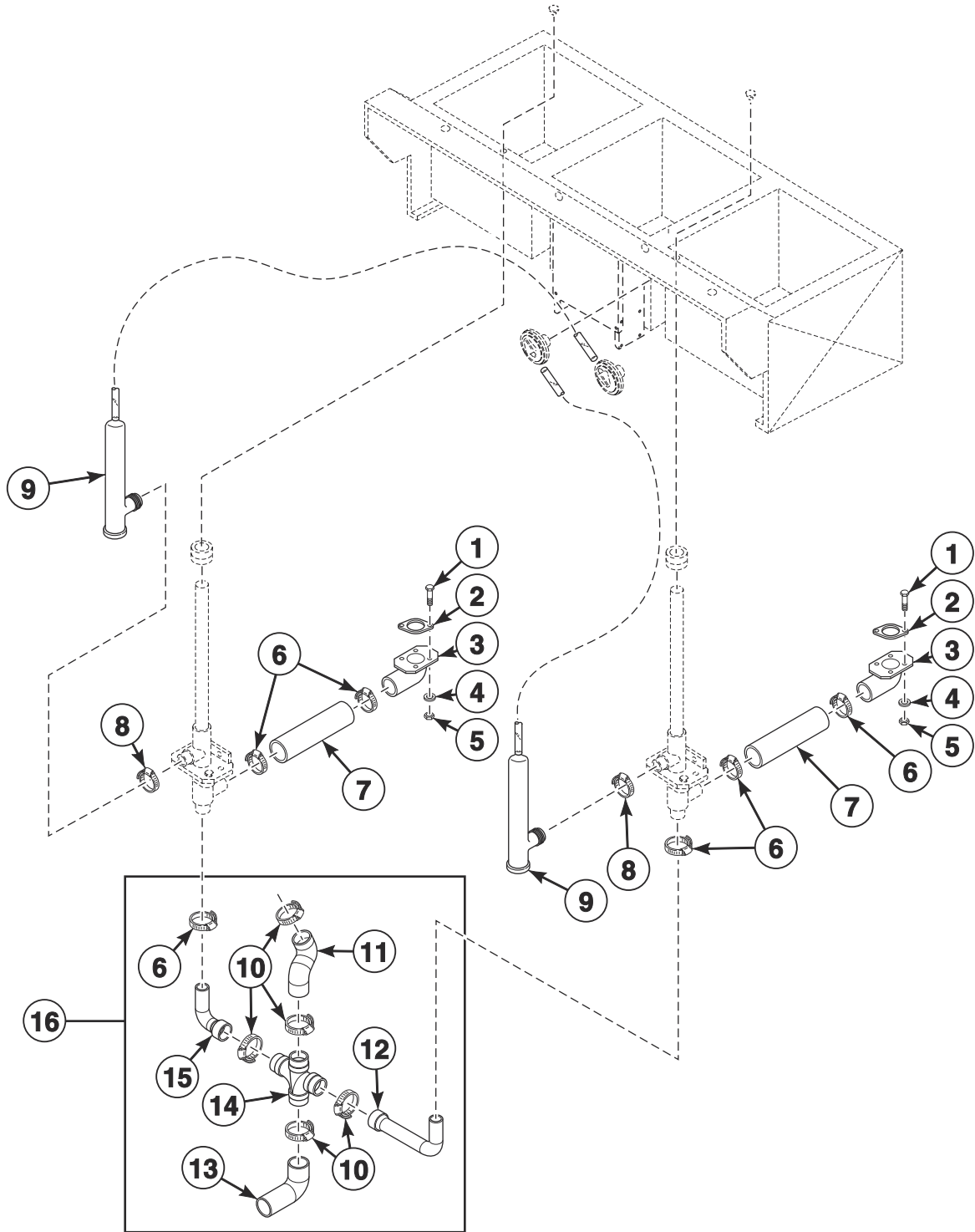


CAR2413P\_F232208

## Spray-Rinse and Fill Plumbing

REF	PART NO.	DESCRIPTION	COMMENTS
1	F430106	Screw	
2	F431108	Washer	
3	F200177100	Spout Weldment	
4	F200199800	Rinse Nozzle Assembly	
5	F200220	Hose Clamp	No. 64
6	F200128P	Water Hose	
7	36801	Hose Clamp	No. 6
8	F8333201	Manifold	
9	F200108P	Water Hose	
10	803615	Washer	Place at wall with filter cone pointing out
11	F8614001	Water Hose	3/8 inch; Standard thread; Red/Hot water
	F8614007	Water Hose	3/8 inch; Standard thread; Blue/Cold water
	F8614002	Water Hose	3/8 inch; Metric thread; Red/Hot water
	F8614008	Water Hose	3/8 inch; Metric thread; Blue/Cold water
12	20290	Washer	
13	F421925	Nipple	
14	J1188192	Pipe Elbow	
15	F431128	Washer	Models through 10/13/2006

# Drain Plumbing



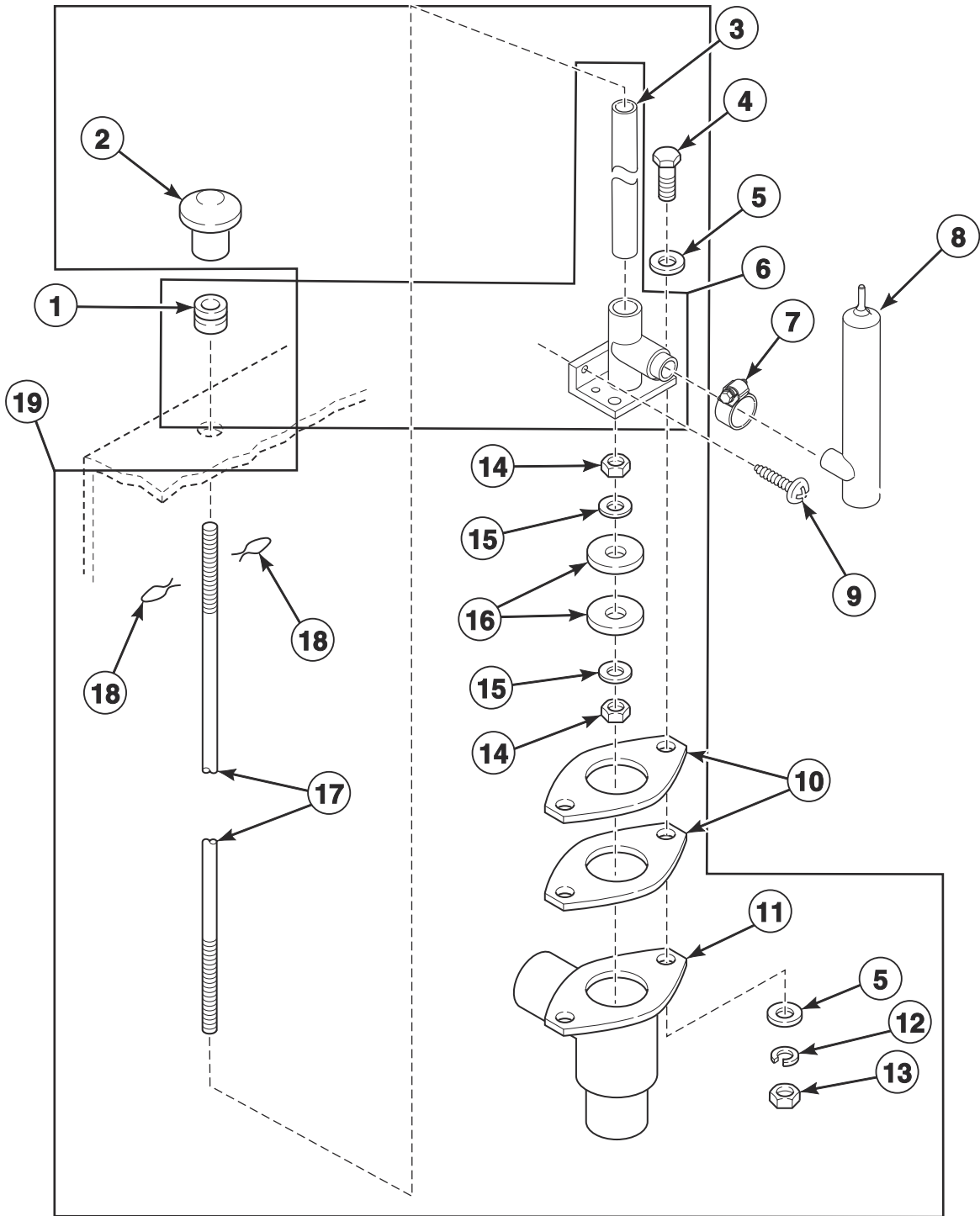
CAR2450P\_F232208



## Drain Plumbing

REF	PART NO.	DESCRIPTION	COMMENTS
1	F430906	Screw	
2	F170501	Flanged Elbow Gasket	
3	F8752001	Drain Elbow	
4	F431112	Washer	
5	F430215	Nut	
6	F200215	Hose Clamp	No. 28
7	F8618601	Hose	
8	F200222	Hose Clamp	
9	F020014200	Air Trap Hose	
10	F200213	Hose Clamp	No. 40
11	F8590301	Hose	
12	F8613901	Rear Drain Hose	Left side
13	F200114P	Hose	3 feet needed
14	F8631401	Drain Manifold Assembly	
15	F8613902	Rear Drain Hose	Right side
16	F8637401	Drain Plumbing Kit	Includes (2) of item 6, (4) of item 10, 11-15; If unit already has upgraded plumbing assembly then individual parts of kit may be ordered

# Drain Valve

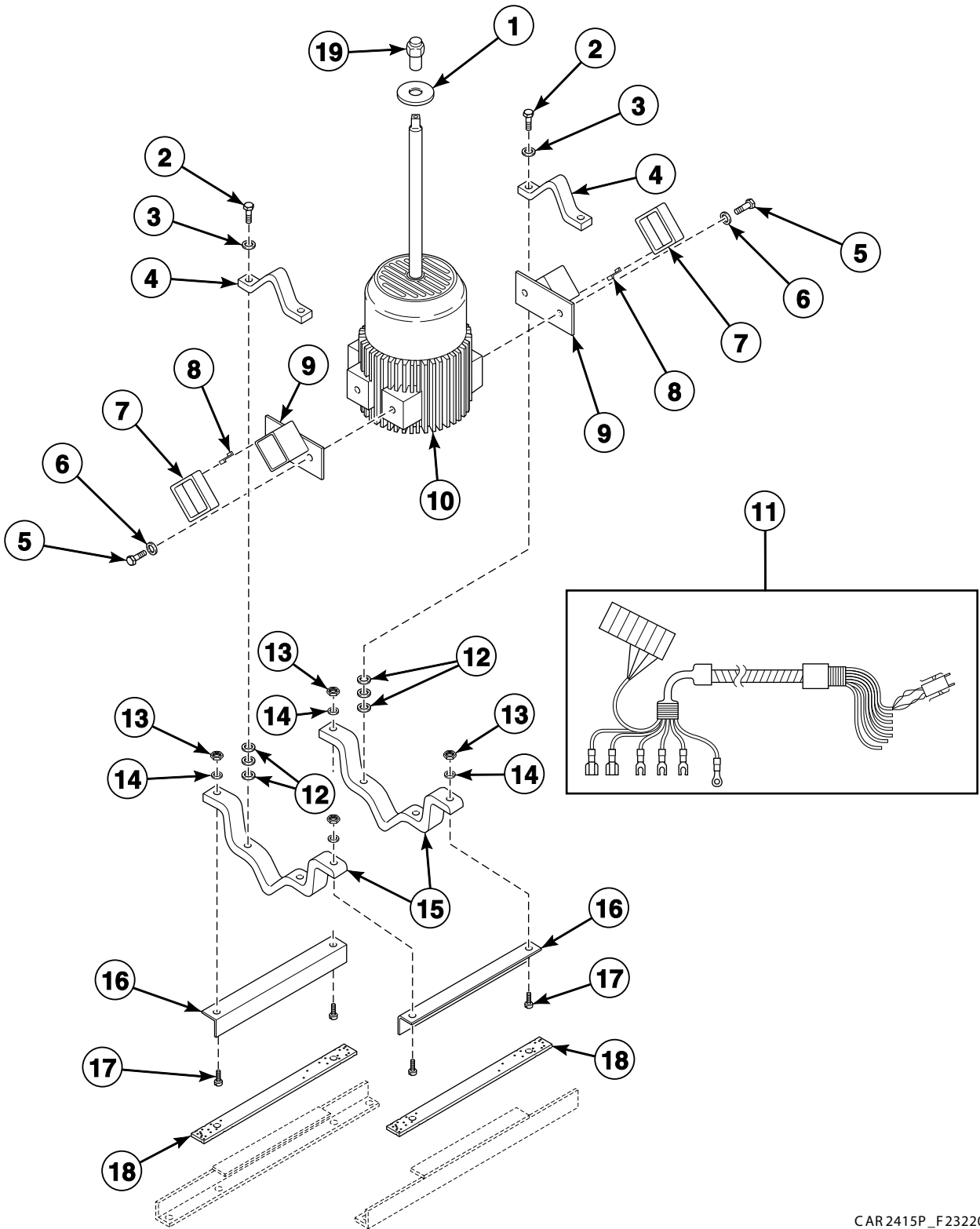


CAR2449P\_F232208

## Drain Valve

REF	PART NO.	DESCRIPTION	COMMENTS
1	F140910	Insulator Bushing	
2	F190101	Push-Pull Knob	
3	F634569-1	Pipe	
4	F430108	Screw	
5	F430317	Washer	
6	F8504201	Drain Valve Flange Assembly	Includes items 1 and 3
7	F200222	Hose Clamp	
8	F020014200	Air Trap Hose	
9	F430115	Screw	
10	F170500	Drain Valve Gasket	2 required
11	F150301	Drain Valve	
12	F430322	Washer	
13	F431005	Nut	
14	F431402	Nut	
15	F431500	Washer	
16	F170107	Drain Valve Disc	
17	F601388	Drain Valve Rod	
18	F431605	Cotter Pin	
19	F200014700	Drain Valve/Air Trap Assembly	Includes items 2-6 and 11-19

# Motor - Design 2 Models

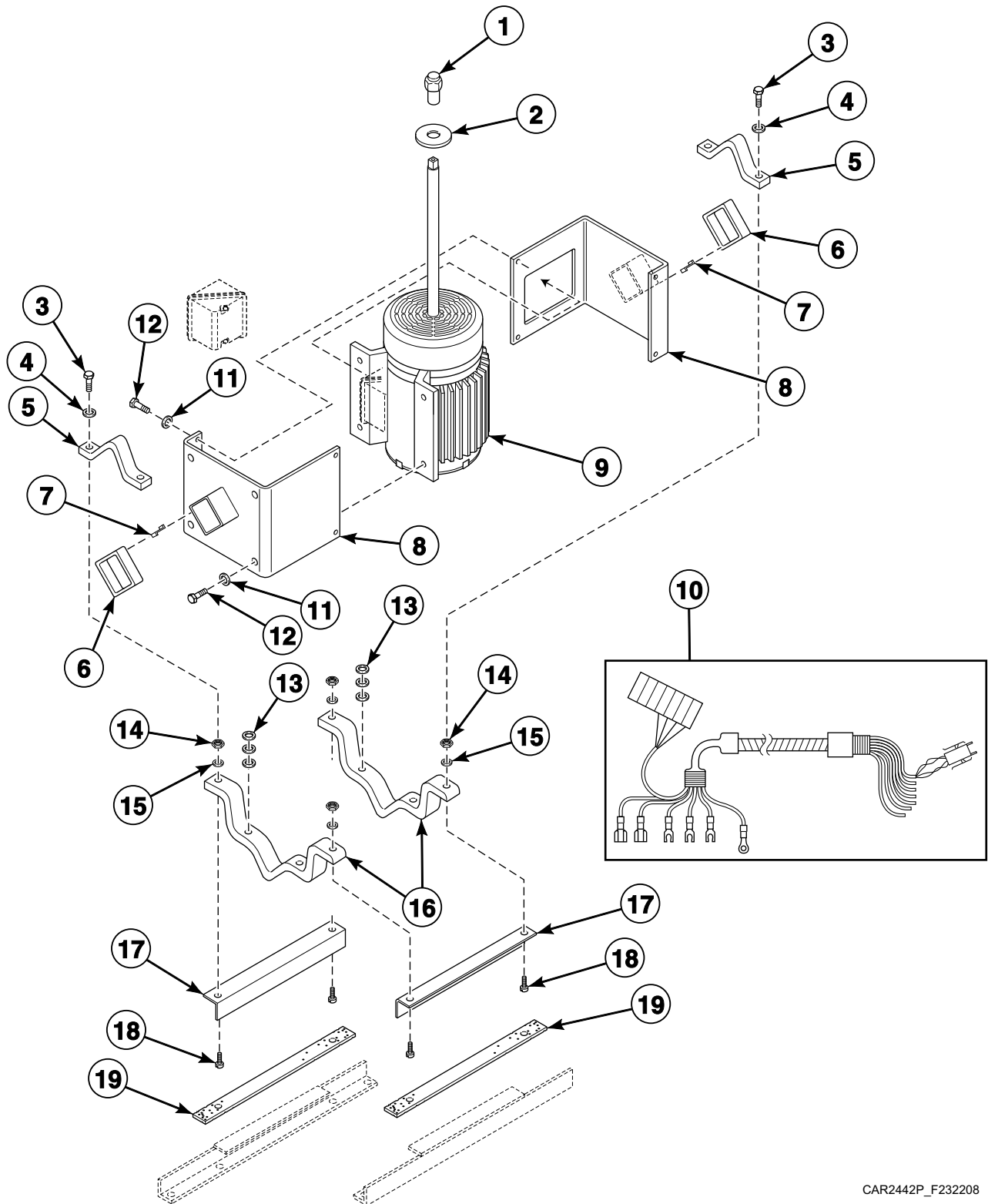


CAR2415P\_F232208

## Motor - Design 2 Models

REF	PART NO.	DESCRIPTION	COMMENTS
	F8655101	Rotation Sensor Kit	Includes F8646901 Bearing Cap, F8655601 Bearing Adapter Assembly, hardware and harnesses
1	F100206	Flinger	
2	F430104	Screw	
3	M400013	Washer	
4	F601387	Trunnion Cap	
5	F430100	Screw	
6	M400015	Washer	
7	F170100	Trunnion	
8	F601167	Z-Clip	
9	F601050	Motor Support Ear	
	F8393401	Motor Mount Bracket Weldment	
10	F8504501P	Motor Kit	Includes F0220136-00 Motor; Replaces F8330601 Motor
11	F200149800	Extract Motor Harness	
12	M400081	Washer	
13	F430211	Nut	
14	F430322	Washer	
15	F601375	Trunnion Frame	
16	F601182	Trunnion Frame Angle	
17	F430112	Screw	
18	F170111	Sponge Rubber	
19	F015030401	Basketball	

# Motor - Design 3 Models

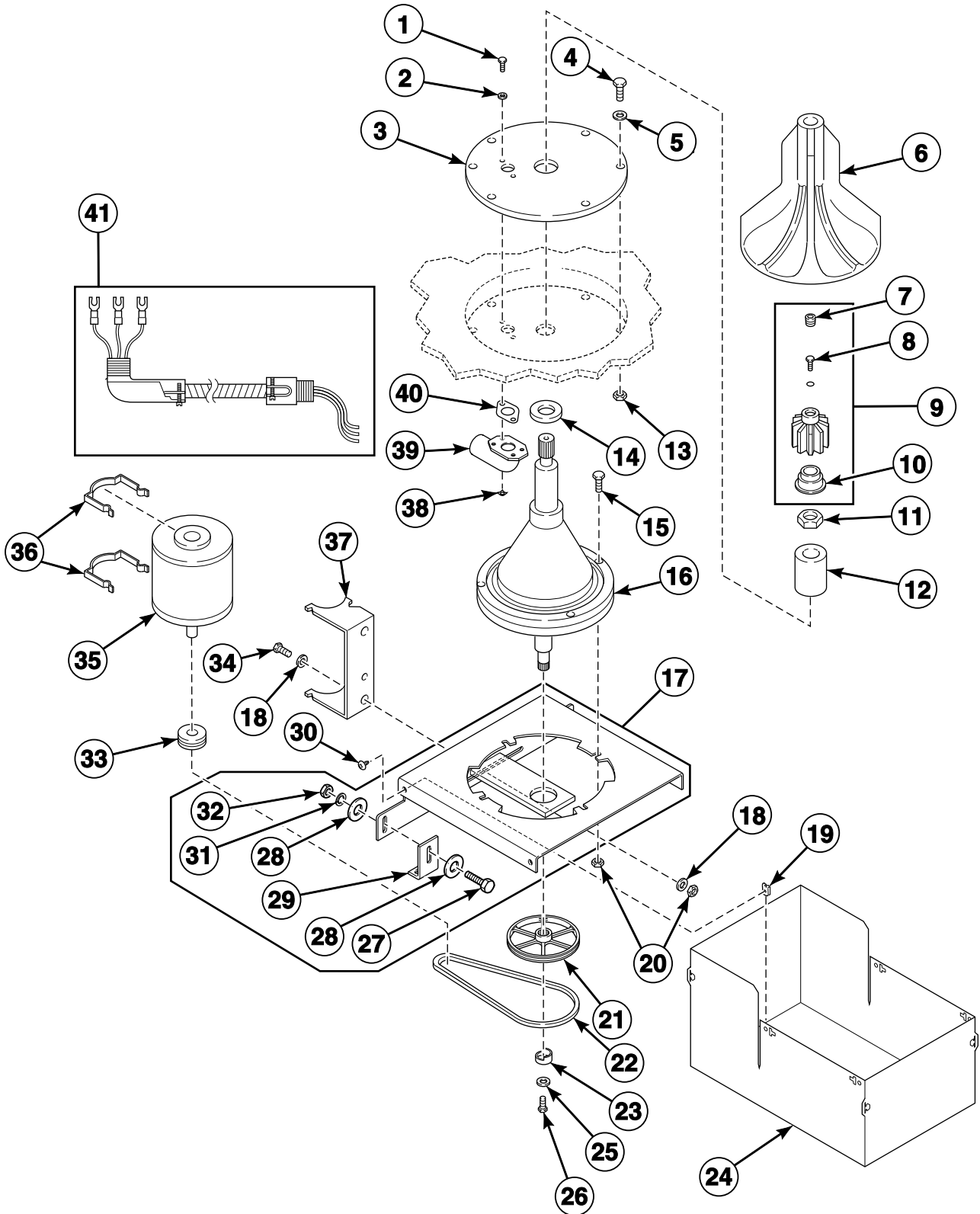


CAR2442P\_F232208

## Motor - Design 3 Models

REF	PART NO.	DESCRIPTION	COMMENTS
	F8655101	Rotation Sensor Kit	Includes F8646901 Bearing Cap, F8655601 Bearing Adapter Assembly, hardware and harnesses
	F8393501	Motor Wrap Bracket Weldment	
1	F015030401	Basketball	
2	F100206	Flinger	
3	F430104	Screw	
4	M400013	Washer	
5	F601387	Trunnion Cap	
6	F170100	Trunnion	
7	F601167	Z-Clip	
8	F8393401	Motor Mount Bracket Weldment	
9	F8504501P	Motor Kit	Includes F0220136-Motor; Replaces F8330601 Motor
10	F8194301	Extract Motor Harness	
	F200149800	Extract Motor Harness	Use with F8330601 Extract Motor
11	M400015	Washer	
12	F430100	Screw	
	F430924	Screw	Use with F8330601 Extract Motor
13	M400081	Washer	
14	F430211	Nut	
	F430233	Nut	Use with F8330601 Extract Motor
15	F430322	Washer	
	M400015	Washer	Use with F8330601 Extract Motor
16	F601375	Trunnion Frame	
17	F601182	Trunnion Frame Angle	
18	F430112	Screw	
	M400056	Screw	Use with F8330601 Extract Motor
19	F170111	Sponge Rubber	

# Transmission and Agitator Assembly - Models Through August 2003



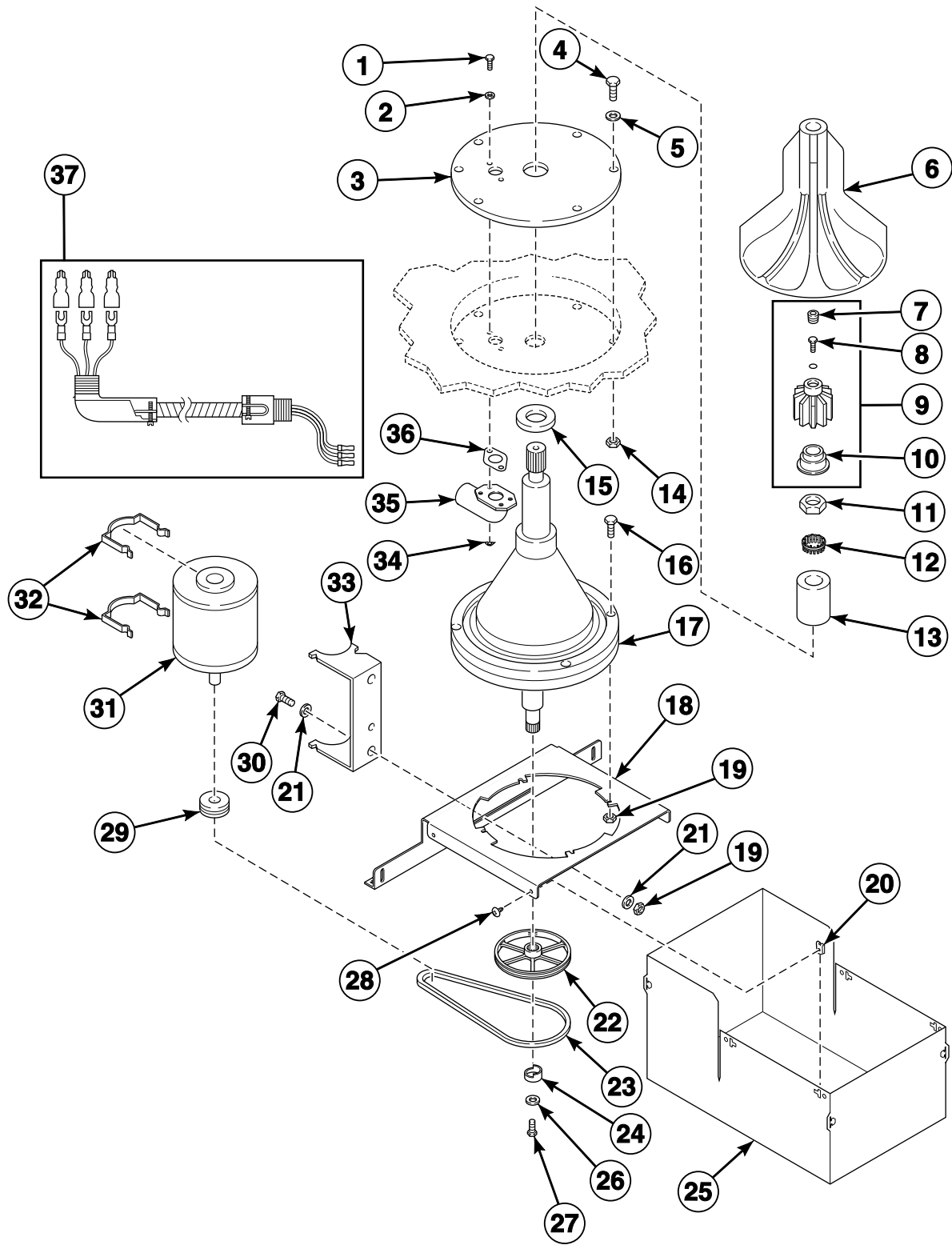
CAR2426P\_F232208



## Transmission and Agitator Assembly - Models Through August 2003

REF	PART NO.	DESCRIPTION	COMMENTS
1	F430906	Screw	
2	F431112	Washer	
3	F0634464-00	Transmission Adaptor Plate	
4	F430946	Screw	
5	F431116	Washer	
6	33513	Agitator	
7	36511	Bell Plug	
8	39432	Screw	
9	39508P	Drive Bell and Seal Kit	Includes items 7, 8 and 10
10	36425	Bell and Transmission Tube Seal	
11	29220	Nut	
12	F422522	Spacer	
13	F431004	Nut	
14	F422521	Spacer	
15	F430913	Screw	
16	38165P	Transmission Assembly	
17	F200004100	Motor/Transmission Plate Assembly	Includes items 27-29, 31 and 32
18	F430317	Washer	
19	F430264	Nut	
20	F430215	Nut	
21	38007	Pulley Assembly	
22	F280372	Belt	
23	38008	Helix	
24	F8186601	Motor and Transmission Cover	
25	26509	Washer	
26	27220	Screw	
27	F430939	Screw	
28	F431147	Washer	
29	F200003300	Motor/Transmission Bracket	
30	F430956	Screw	
31	F431100	Washer	
32	F431005	Nut	
33	F0280153-00	Motor Pulley	AS2.30 x 1/2
34	F430107	Screw	
35	F8367401P	Motor	208 or 220 Volt/50 or 60 Hertz/3 Phase
36	F180435	Transmission Motor Clamp	
37	F180404	Transmission Motor Base	
38	F430204	Nut	
39	F8752001	Drain Elbow	
40	F170501	Flanged Elbow Gasket	
41	F200149700P	Wash Motor Harness	

# Transmission and Agitator Assembly - Models Starting September 2003 Through December 2011

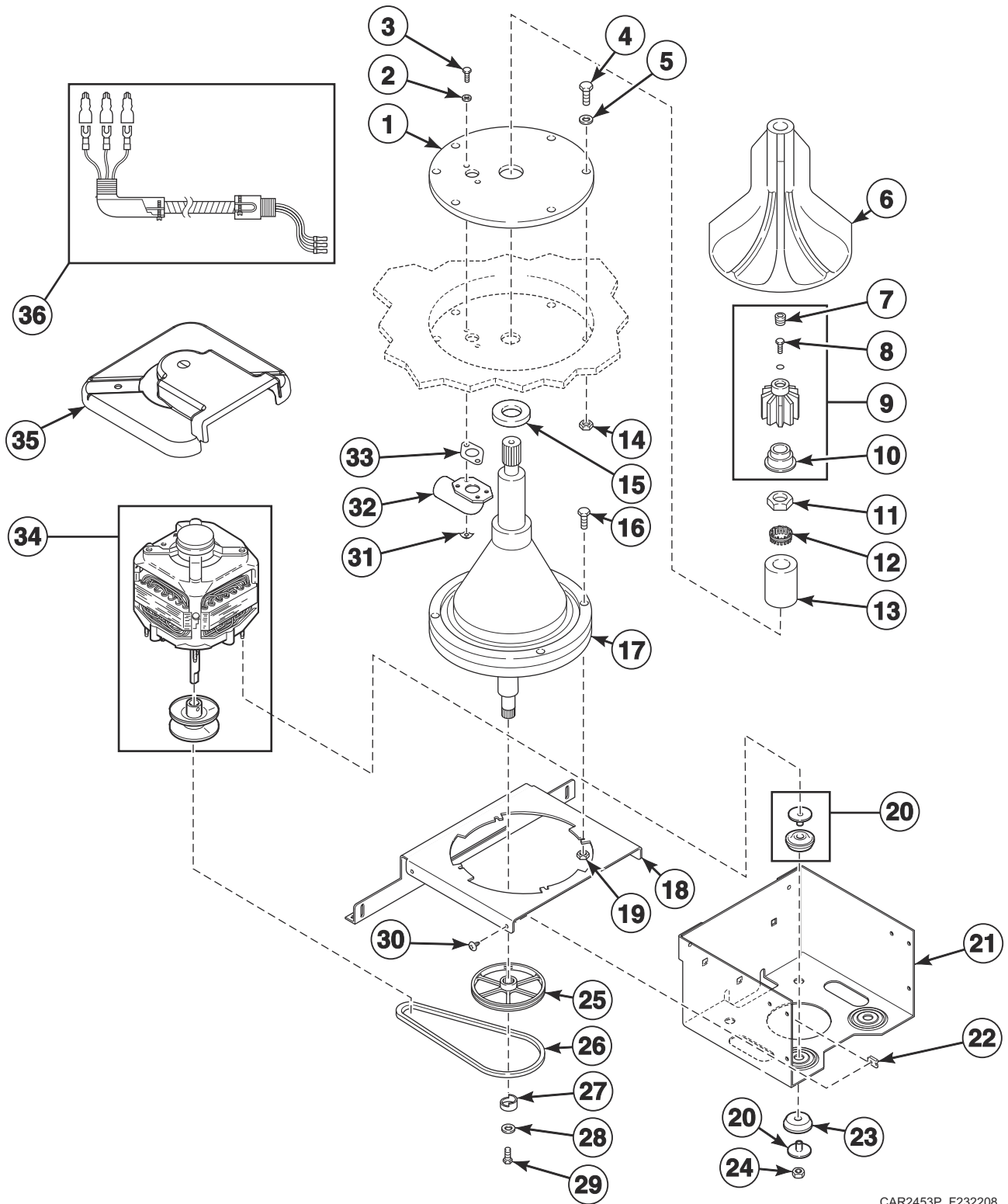


CAR2434P\_F232208

## Transmission and Agitator Assembly - Models Starting September 2003 Through December 2011

REF	PART NO.	DESCRIPTION	COMMENTS
1	F430906	Screw	
2	F431112	Washer	
3	F0634464-00	Transmission Adaptor Plate	
4	F430946	Screw	
5	F431116	Washer	
6	33513	Agitator	
7	36511	Bell Plug	
8	39432	Screw	
9	39508P	Drive Bell and Seal Kit	Includes items 7, 8 and 10
10	36425	Bell and Transmission Tube Seal	
11	29220	Nut	
12	29728	Spline Insert	Models starting 10/14/2006
13	F422522	Spacer	
14	F431004	Nut	
15	F422521	Spacer	
16	F430913	Screw	
17	38165P	Transmission Assembly	
18	F0634583-00	Motor/Transmission Plate Assembly	
19	F430215	Nut	
20	F430264	Nut	
21	F430317	Washer	
22	38007	Pulley Assembly	
23	F280372	Belt	
24	38008	Helix	
25	F8186601	Motor and Transmission Cover	
26	26509	Washer	
27	27220	Screw	
28	F430956	Screw	
29	F0280153-00	Motor Pulley	AS2.30 x 1/2
30	F430107	Screw	
31	F8367401P	Motor	208 or 220 Volt/50 or 60 Hertz/3 Phase
32	F180435	Transmission Motor Clamp	
33	F180404	Transmission Motor Base	
34	F430204	Nut	
35	F8752001	Drain Elbow	
36	F170501	Flanged Elbow Gasket	
37	F200149700P	Wash Motor Harness	

# Transmission and Agitator Assembly - Models Starting January 2012



CAR2453P\_F232208

## Transmission and Agitator Assembly - Models Starting January 2012

REF	PART NO.	DESCRIPTION	COMMENTS
1	F0634464-00	Transmission Adaptor Plate	
2	F431112	Washer	
3	F430906	Screw	
4	F430946	Screw	
5	F431116	Washer	
6	33513	Agitator	
7	36511	Bell Plug	
8	39432	Screw	
9	39508P	Drive Bell and Seal Kit	Includes items 7, 8 and 10
10	36425	Bell and Transmission Tube Seal	
11	29220	Nut	
12	29728	Spline Insert	Models starting 10/14/2006
13	F422522	Spacer	
14	F431004	Nut	
15	F422521	Spacer	
16	F430913	Screw	
17	38165P	Transmission Assembly	
18	F0634583-00	Motor/Transmission Plate Assembly	
19	F430215	Nut	
20	204449	Motor Mounts and Isolators Kit	
21	F8167501	Motor Support Cover	
22	F430264	Nut	
23	204062	Motor Mount and Isolator Assembly	
24	35423	Nut	
25	38007	Pulley Assembly	
26	F280372	Belt	
27	38008	Helix	
28	26509	Washer	
29	27220	Screw	
30	F430956	Screw	
31	F430204	Nut	
32	F8752001	Drain Elbow	
33	F170501	Flanged Elbow Gasket	
34	35030P	Motor Assembly	208 or 220 Volt/50 or 60 Hertz/3 Phase
35	34754	Motor Shield	
36	F8193801P	Agitator Harness	



# Parts Index

## A

Agitator	
33513 .....	39, 41, 43
Agitator Harness	
F8193801P .....	43
Air Trap Hose	
F020014200 .....	31, 33
Auxiliary Contactor	
F330185P .....	25

## B

Basket Assembly	
F602568P .....	5, 7
Basket Hub Center Kit	
F730109 .....	5, 7
Basketball	
F015030401 .....	5, 7, 35, 37
Bell and Transmission Tube Seal	
36425 .....	39, 41, 43
Bell Plug	
36511 .....	39, 41, 43
Belt	
F280372 .....	39, 41, 43
Bushing	
70346501 .....	27

## C

Cap	
F190310 .....	15, 17
F8197701 .....	23, 27
Clinch Plate Assembly	
F200130600 .....	23
F200130700 .....	23
Clock Panel Harness	
F200148500 .....	19, 21
F8130101P .....	19, 21
Coil	
F8514601P .....	23
Cold Water Valve Decal	
F0231368-00 .....	25
Contact Base	
F8538101 .....	19
Contact Block Switch	
F200233401P .....	19
F340445 .....	19
Contact Switch	
F8069501 .....	19
Contacto	
F330176P .....	27
F330177P .....	25
Contacto	
F330176P .....	27
F330177P .....	25
Contacto Mounting Plate	
F200129100 .....	23
Control Assembly	
F8186401P .....	27

Control Box Harness	
F200148300P .....	23
F8130201P .....	23, 27
Control Overlay	
F8209301 .....	21
F8209401 .....	21
Cotter Pin	
F431216 .....	13
F431605 .....	33

## D

Diaphragm and Guide Kit	
G582P3 .....	23, 27
DIN Rail	
F8200101 .....	27
DIN Valve Adapter Kit	
F8382301 .....	23
Disconnect Power Warning Label	
D505281 .....	25
Drain Elbow	
F8752001 .....	31, 39, 41, 43
Drain Manifold Assembly	
F8631401 .....	31
Drain Plumbing Kit	
F8637401 .....	31
Drain Valve	
F150301 .....	33
Drain Valve Disc	
F170107 .....	33
Drain Valve Flange Assembly	
F8504201 .....	33
Drain Valve Gasket	
F170500 .....	33
Drain Valve Rod	
F601388 .....	33
Drain Valve/Air Trap Assembly	
F200014700 .....	33
Drive Bell and Seal Kit	
39508P .....	39, 41, 43

## E

Earth Terminal Sticker	
M412096 .....	27
Electrical Back Panel	
F601138 .....	5
Electrical Box	
F8192201 .....	27
Electrical Box Cover	
F200129300 .....	25
F8192501 .....	27
Electrical Control Box Wrap	
F200128900 .....	23
Electrical Plate	
F8188801 .....	27
End Wrap	
F602496 .....	5

N/A items do not appear in index.

Expansion Clip 70030501 .....	25, 27
Extract Motor Harness F200149800 .....	35, 37
F8194301 .....	37
Extractor Lid Kit F730371 .....	9, 11

## F

Flange Relay F330230 .....	25
Flanged Elbow Gasket F170501 .....	31, 39, 41, 43
Flinger F100206 .....	35, 37
Frame Weldment F200145100 .....	5, 7
Front Skirt Assembly F8458101 .....	7
Fuse F350110 .....	25
F350148 .....	25
J1477496 .....	23
M413867 .....	27
M413889 .....	27
70406501 .....	27
Fuse Holder F0350312-10 .....	25
J1401884 .....	23

## G

Gasket F200001609 .....	9
Grommet F8242801 .....	13
685834 .....	15, 17
802218 .....	13
Ground Decal F230630 .....	23
F230739 .....	23, 27
Ground Lug Connector M411283 .....	27
Ground Terminal Lug F140734 .....	23

## H

Helix 38008 .....	39, 41, 43
Hose F200114P .....	31
F8590301 .....	31
F8618601 .....	31
Hose Clamp F200213 .....	31
F200215 .....	31
F200220 .....	29
F200222 .....	31, 33
36801 .....	23, 27, 29

Hot Water Valve Decal F0231367-00 .....	25
--	----

## I

Indicator Light 70082201 .....	21
Input Power Block F140746 .....	23
F140747 .....	23
Input Power Block Decal F0230109-00 .....	23
Input Power Block Insulator F0230111-00 .....	23
Insulator M413862 .....	27
Insulator Bushing F140910 .....	33
Interlock Contactor F330186P .....	27

## J

Jumper Configuration Assembly M413507 .....	27
Jumper Harness Assembly M413506 .....	27

## K

Knob F200142900 .....	19, 21
--------------------------	--------

## L

Lid Handle Weldment F200194600P .....	9, 11
Lid Hinge Assembly F200171000 .....	9
F8120901 .....	11
Lid Lock and Cable Kit F730368P .....	13
Lid Lock Assembly F605423P .....	13
F8242001 .....	13
Lid Lock Cable F190800 .....	13, 15, 17
Lid Lock Mounting Bracket Assembly F602483 .....	15
Lid Lock Slide F8624801 .....	13
Lid Lock Slide Carrier F150354 .....	13
Lid Lock Solenoid F300107 .....	15, 17
Lid Lock Spring F310128 .....	13
Logo Decal F230806 .....	5

N/A items do not appear in index.



---

**M**

Machine May Be Hot Warning Decal F230757 .....	9, 11
Magnetic Sensor Switch Assembly F8126401P .....	13
F8197301 .....	13
Magnetic Switch Assembly F8746601 .....	9
Magnetic Switch Magnet F200162700 .....	9, 11
Main Harness F8210301 .....	27
Male Tab Terminal 00177 .....	27
Manifold F8333201 .....	29
Motor F8367401P .....	39, 41
Motor and Transmission Cover F8186601 .....	39, 41
Motor Assembly 35030P .....	43
Motor Drip Shield F200280700 .....	23
Motor Equipped with Auto Decal F230300 .....	25
Motor Kit F8504501P .....	35, 37
Motor Mount and Isolator Assembly 204062 .....	43
Motor Mount Bracket Weldment F8393401 .....	35, 37
Motor Mounts and Isolators Kit 204449 .....	43
Motor Pulley F0280153-00 .....	39, 41
Motor Rail F601486 .....	5, 7
Motor Shield 34754 .....	43
Motor Support Cover F8167501 .....	43
Motor Support Ear F601050 .....	35
Motor Wrap Bracket Weldment F8393501 .....	37
Motor/Transmission Bracket F200003300 .....	39
Motor/Transmission Plate Assembly F0634583-00 .....	41, 43
F200004100 .....	39

---

**N**

Nipple F421925 .....	29
Nut F430204 .....	39, 41, 43
F430209 .....	15, 17
F430211 .....	35, 37

F430215 .....	5, 7, 31, 39, 41, 43
F430218 .....	5, 7
F430231 .....	23
F430233 .....	37
F430264 .....	39, 41, 43
F431000 .....	9, 15, 19, 21
F431004 .....	39, 41, 43
F431005 .....	15, 17, 33, 39
F431006 .....	23, 27
F431017 .....	15, 19
F431022 .....	9
F431024 .....	23
F431402 .....	33
F8132301 .....	11, 13
24206 .....	21
29220 .....	39, 41, 43
35423 .....	43
44071201 .....	13
52947 .....	21
Nylon Sleeve F431911 .....	13

---

**P**

Pipe F634569-1 .....	33
Pipe Elbow J1188192 .....	29
Pop Rivet F431210 .....	13
70058501 .....	27
Pressure Switch 35889P .....	19, 21
Pulley Assembly 38007 .....	39, 41, 43
Pushbutton Boot F340409 .....	9, 19, 21
Pushmount Clamp F140626 .....	27
Push-Pull Knob F190101 .....	33

---

**R**

Rear Drain Hose F8613901 .....	31
F8613902 .....	31
Rear Panel F8192001 .....	7
F8192002 .....	7
Relay F330206 .....	19
M412534 .....	25
Rinse Nozzle Assembly F200199800 .....	29
Rivet Post F430147 .....	9, 11
Rotation Decal F230607 .....	9, 11
Rotation Detection CCA F0370453-00P .....	25
Rotation Sensor Kit F8655101 .....	35, 37

N/A items do not appear in index.

---

## S

Screw	
D503688	17
F0430165-00	25
F430100	35, 37
F430104	35, 37
F430106	29
F430107	5, 7, 39, 41
F430108	33
F430112	35, 37
F430115	5, 33
F430116	5, 7
F430903	9, 11, 15, 19, 21
F430906	5, 7, 31, 39, 41, 43
F430909	27
F430913	39, 41, 43
F430916	9, 11
F430917	25
F430920	9, 11, 15
F430923	5, 7, 23
F430924	37
F430938	23, 25
F430939	39
F430946	39, 41, 43
F430948	23, 27
F430956	23, 39, 41, 43
F430995	23
F430996	15, 17
F430998	19, 21
F432291	13, 19
F8117601	25
F8132401	13
F8164201	11, 13
J1333285	23
M400056	37
201415	23, 25, 27
27220	39, 41, 43
39432	39, 41, 43
430497	27
51780	27
51783	27
Selector Switch	
F8069801	19
F8070101	19
Side Wrap	
F8189201	7
F8189202	7
Signal Light	
F350404	19
Skirt Panel	
F8461701	5
Snap Bushing	
F140938	5, 25
Solenoid Bracket	
F8266201	17
Solenoid Spring	
F310105	15
F8595301	17
Spacer	
F422521	39, 41, 43
F422522	39, 41, 43
Spline Insert	
29728	41, 43
Sponge Rubber	
F170111	35, 37

N/A items do not appear in index.

Spout Weldment	
F200177100	29
Standoff	
F180501	25
F180506	25
Support Bracket	
F8149001	13
Switch	
F340403P	9, 19
27761	21
Switch Assembly	
55882	21

---

## T

Terminal Block	
430642	27
Terminal Block Shield	
70333001	27
This Machine Must Be Protected Decal	
F230301	25
Timer	
70131801P	21
Timer and Terminal Assembly	
F8111201	19
Timer Assembly	
F200162500	19
F8111401	19
Timer Kit	
F952P3	19
Timer Knob	
JA-57012	19, 21
Transformer	
F360156P	25
M414228P	27
201616P	25
Transmission Adaptor Plate	
F0634464-00	39, 41, 43
Transmission Assembly	
38165P	39, 41, 43
Transmission Motor Base	
F180404	39, 41
Transmission Motor Clamp	
F180435	39, 41
Trunnion	
F170100	35, 37
Trunnion Cap	
F601387	35, 37
Trunnion Frame	
F601375	35, 37
Trunnion Frame Angle	
F601182	35, 37
Tub Assembly	
F200144300	5
F8191901	7

---

## U

Use Copper Conductors Only Caution Label	
F8242201	27

---

**V**

Valve	F8322803P .....	23
Valve Box	F8192401 .....	27
Valve Transition Kit	F8379503P .....	23
Valve, 2-Way	F8637301 .....	27
	F8637302 .....	27
Valve, 3-Way	F0381738-00P .....	23
	F0381767-00P .....	27
	F0381771-00 .....	27

---

**W**

Warning Label	F8011501 .....	11
	F8319701 .....	11
	F8611601 .....	27
Wash Motor Harness	F200149700P .....	39, 41
Washer	F430317 .....	5, 7, 33, 39, 41
	F430322 .....	33, 35, 37
	F431100 .....	39
	F431102 .....	9, 11, 13
	F431104 .....	5, 7
	F431106 .....	9, 11, 15, 19, 21, 23
	F431108 .....	29
	F431112 .....	5, 7, 31, 39, 41, 43
	F431113 .....	9
	F431116 .....	39, 41, 43
	F431125 .....	9
	F431128 .....	29
	F431147 .....	39
	F431500 .....	33
	F8133901 .....	11, 13
	M400013 .....	35, 37
	M400015 .....	35, 37
	M400081 .....	5, 7, 35, 37
	20290 .....	29
	26509 .....	39, 41, 43
	803615 .....	29
Wash/Extract Decal	F200143601 .....	19
Wash/Rinse Decal	F200143701 .....	19
Water Hose	F200108P .....	29
	F200128P .....	29
	F8614001 .....	29
	F8614002 .....	29
	F8614007 .....	29
	F8614008 .....	29
Wire Label	70218701 .....	27

---

**Z**

Z-Clip	F601167 .....	35, 37
--------	---------------	--------

---

