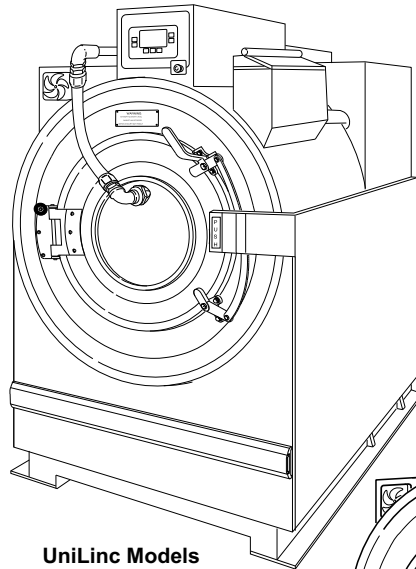


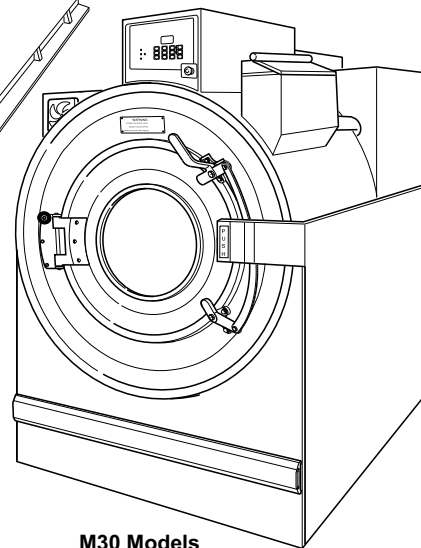
Washer-Extractor

Pocket Hardmount

Refer to Page 3 for Model Numbers



UniLinc Models



M30 Models

PHM1419C_F8165301

Table of Contents

Title	Page
Parts Ordering Information.....	2
Serial Plate Location	2
Model Identification	3
Pocket Hardmount Washer-Extractor Product Overview - Model UW125TV	4
Pocket Hardmount Washer-Extractor Product Overview - UWL125, UWN125 and UWU125 Models	6
Control Module (Drawing 1 of 3)	8
Control Module (Drawing 2 of 3)	10
Control Module (Drawing 3 of 3)	12
AC Drive Box (Drawing 1 of 2).....	14
AC Drive Box (Drawing 2 of 2).....	16
Balance Switch and Rotation Sensor.....	18
Panels	20
Drive Box and Water Supply Box - Models Through 10/3/10.....	22
Drive Box and Water Supply Box - Models Starting 10/4/10.....	24
Door - Models Through 10/3/10	26
Spray Tube Assembly - Models Through 10/3/10.....	28
Door and Spray Tube Assembly - Models Starting 10/4/10.....	30
Door Lock.....	32
Basket, Shell and Frame (Drawing 1 of 2)	34
Basket, Shell and Frame (Drawing 2 of 2)	36
Supply Dispenser.....	38
Water Supply Valve and Hoses to Supply Dispenser - Models Through 10/3/10.....	40
Water Supply Valve and Hoses to Supply Dispenser - Models Starting 10/4/10.....	42
Spray Plumbing Assembly - Models Through 10/3/10.....	44
Fill Plumbing Assemblies - Models Starting 10/4/10.....	46
Fill Plumbing Assembly - Models Through 10/3/10.....	48
Spray Plumbing Assembly - Models Starting 10/4/10.....	50
Drain Valve and Plumbing - Models Through 10/3/10	52
Drain Valve and Plumbing - Models Starting 10/4/10	54
Motor, Pulley and Bearings.....	56
Steam Heat Option - Models Through 10/3/10	58
Steam Heat Option - Models Starting 10/4/10	60
Electric Heat Option	62
Special Tools	64
Parts Index.....	67

© Copyright 2018, Alliance Laundry Systems LLC

All rights reserved. No part of the contents of this book may be reproduced or transmitted in any form or by any means without the expressed written consent of the publisher.

Parts Ordering Information

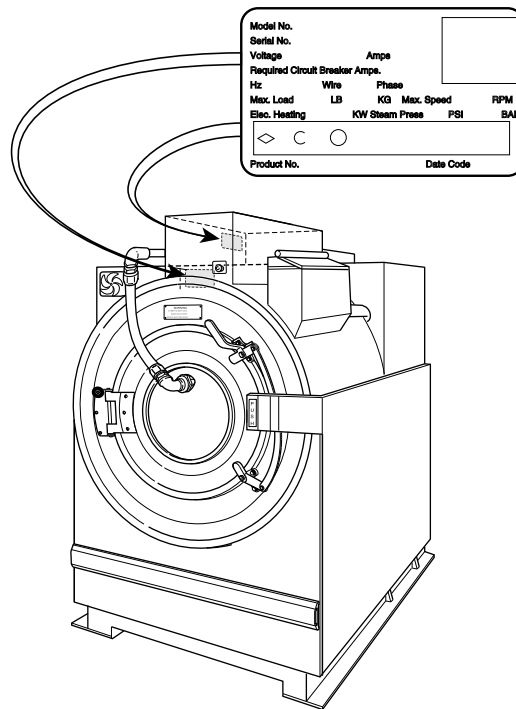
If literature or replacement parts are required, contact the source from whom the machine was purchased or contact Alliance Laundry Systems at (920) 748-3950 for the name and address of the nearest authorized parts distributor.

For technical assistance, call the number listed below:

(920) 748-3121 Ripon, Wisconsin

Serial Plate Location

When calling or writing about your product, be sure to mention model and serial numbers. Model and serial numbers are located on serial plate(s) as shown.



PHM3110P_F8165301

Model Identification

Information in this manual is applicable to these washer-extractor models:

UW125TV

UWL125K1M
UWL125T3V

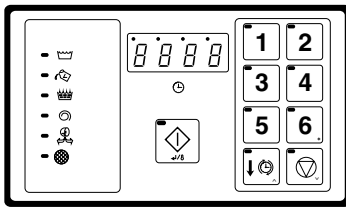
UWN125K1M
UWN125K1V
UWN125T3V

UWU125K1M
UWU125T3V

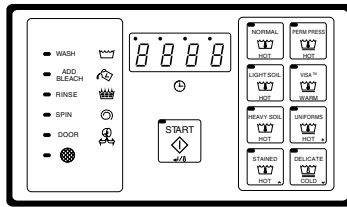
Pocket Hardmount Washer-Extractor Product Overview - Model UW125TV

Model No. UW60AMXUB0001
 Serial No. 00000000000
 Voltage 200 – 240 Amps 10
 Circuit Breaker 15 Amps
 Hz 50 – 60 Wire 2/3 Phase S 3
 Max. Load 60 LB 27 KG Max. Speed 594 RPM
 Elec. Heating N/A Steam Press. N/A PSI 0.0 BAR

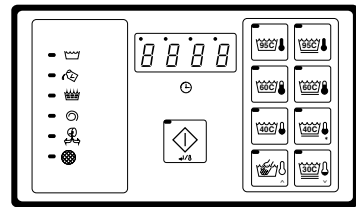
Drawings:
 ETL Listed
 Conforms To ANSI/UL Std. 1206, 3rd Ed
 Certified To CAN/CSA Std. C22.2 No.53-1968



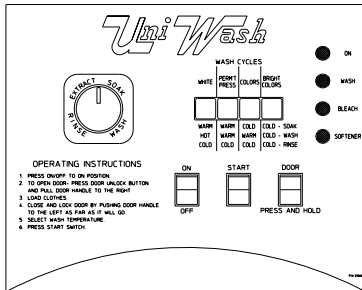
A-Control



B-Control (Domestic)



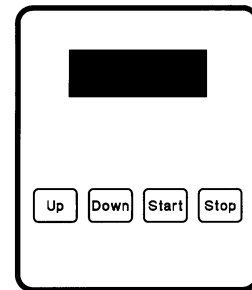
B-Control (International)



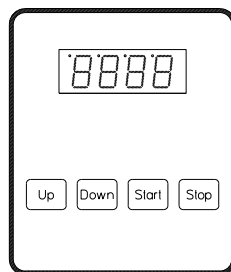
Mechanical Timer



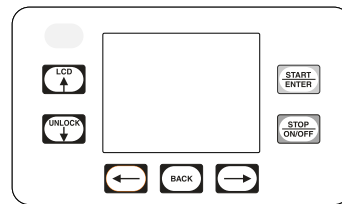
WE-6 Control



S-Computer



V-Computer



UniLinc Control

PHM2979P_F8165301

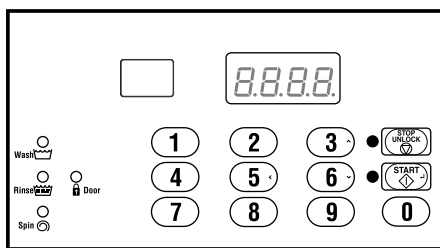
Pocket Hardmount Washer-Extractor Product Overview - Model UW125TV

REF	PART NO.	DESCRIPTION	COMMENTS
1	-	Product Family	UW
2	-	Capacity (Pounds)	35 60 80 100 125 150
3	-	Control	A (A-Control) B (B-Control) M (Mechanical Timer) P (WE-6 Control) S (S-Computer) V (V-Computer) T (UniLinc Control)
4	-	Speed	2 (2-Speed) 3 (3-Speed) 4 (4-Speed) V (Variable-Speed)
5	-	Voltage	F (440-480/60/3/3) N (440-480/50-60/3/3) O (208-240/60/3/3) P (380-415/60-60/3/3) Q (200-208/220-240/50/60/3ph) R (380-415/440-480/50/60/3ph) X (200-220/220-240/50/60/1-3) Y (208-240/60/1/2)
6	-	OEM	U (Standard Specs)
7	-	Design Series	1-8

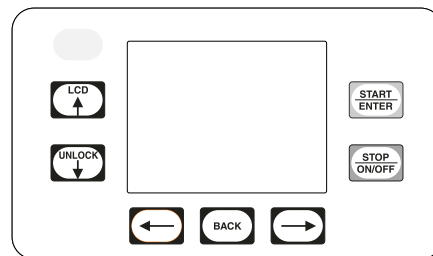
Pocket Hardmount Washer-Extractor Product Overview - UWL125, UWN125 and UWU125 Models

Model No. **UWN060T3VXU1001**
 Serial No. **00000000000**
 Voltage **200 – 240** Hz **50-60** Phase **3**
 Number of wires : **3** FLA : **19** amps
 Circuit Breaker Size : **30** amps
 Max. Load : **60** LB **27** KG
 Schematic :
 Supply Water: **30 - 85** psi, **2 - 5.7** BAR

Alliance
Laundry Systems



M30 Control



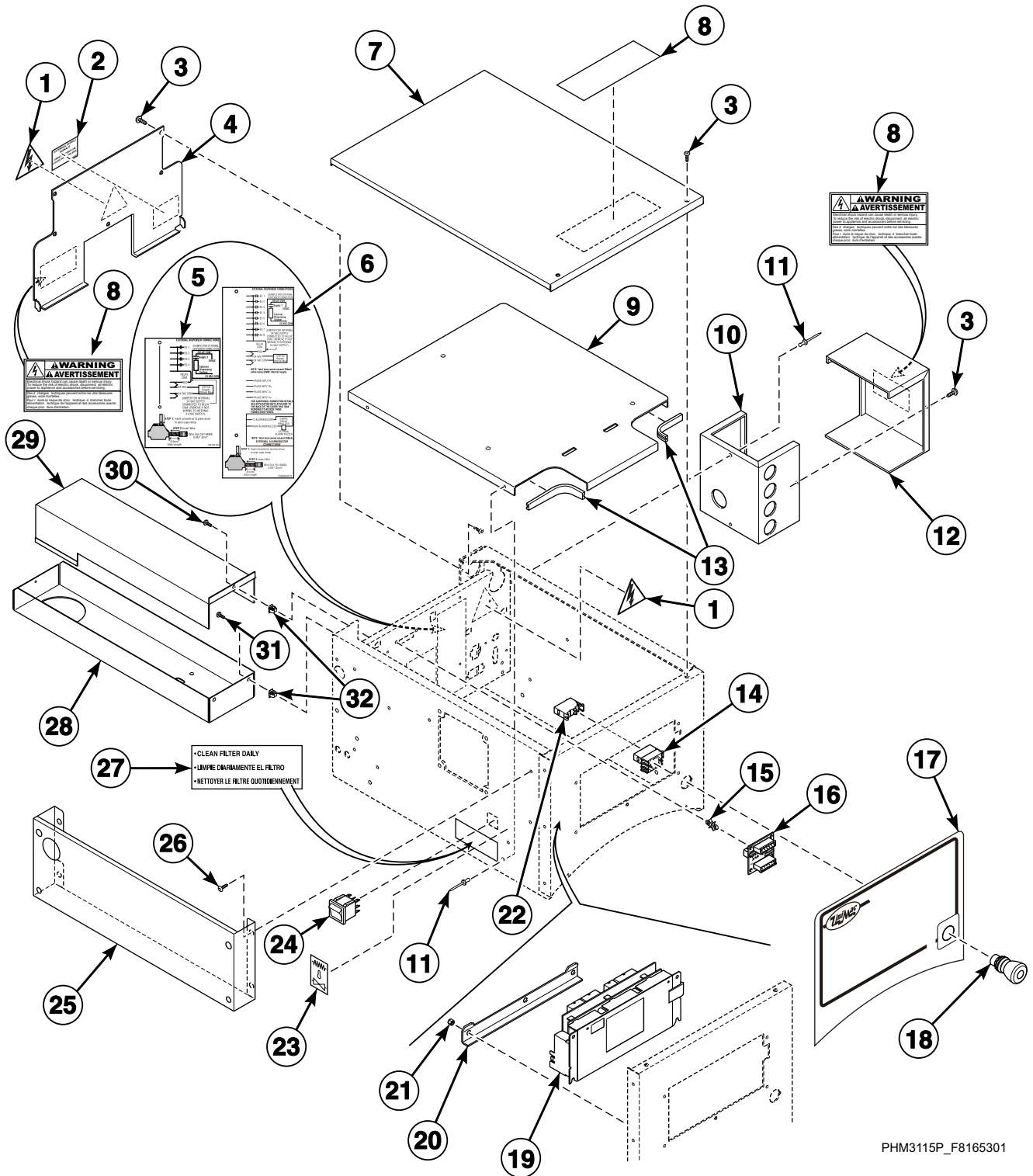
UniLinc Control

PHM3063P_F8165301

Pocket Hardmount Washer-Extractor Product Overview - UWL125, UWN125 and UWU125 Models

REF	PART NO.	DESCRIPTION	COMMENTS
1	-	Product Family	UW
2	-	Market Approvals	N (Domestic ETL) L (International ETL) U (International CE)
3	-	Capacity (Dry Weight in Pounds)	035 060 080 100 125 150
4	-	Control	K (M30 Control) T (UniLinc Control)
5	-	Spray/Dispenser Feature	1 (No spray but with dispenser) 3 (With spray and dispenser)
6	-	Speed	2 (2-Speed) L (Low-Speed - 100/60) M (Medium-Speed - 180/120/60) V (Variable-Speed - 300/240/180/120/60)
7	-	Voltage	O (208/220-240/60/3/3) X (200-208/220/240/50/60/1/3) Q (200-208/220-240/50/60/3) R (380-415/440-480/50/60/3)
8	-	OEM	U
9	-	Design Series	1
10	-	Heat Feature	0 (Prep for steam) D (Direct steam) E (Electric heat) P (Prep for electric and steam heat)
11	-	Features and Options	

Control Module (Drawing 1 of 3)

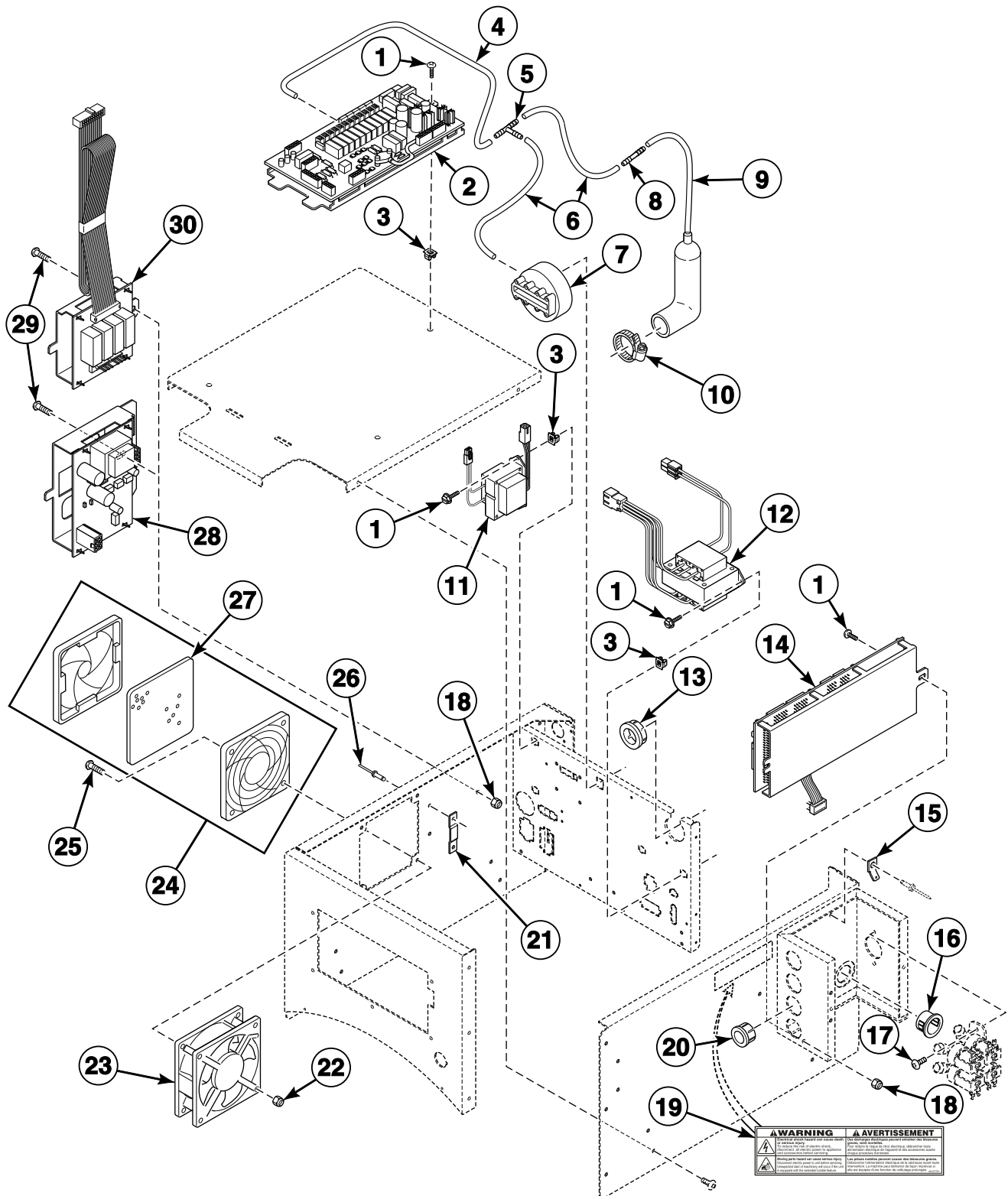


PHM3115P_F8165301

Control Module (Drawing 1 of 3)

REF	PART NO.	DESCRIPTION	COMMENTS
1	D502511	Electrical Shock Label	
2	F8150201	External Supply Connection Decal	
3	F430174	Screw	
4	F8170501	Control Box Rear Panel	
5	F8161701	External Supply Label	Models UWL125K1M, UWN125K1M, UWN125K1V and UWU125K1M
6	F8059801	External Supply Connection Decal	Models UW125TV, UWL125T3V, UWN125T3V and UWU125T3V
7	F8170601	Control Box Top Panel	
8	F8233501	Warning Label	
9	F8055001	Control Box Contactor Panel	
10	F8055301	External Supply Box	Models through 10/3/10
11	F431210	Pop Rivet	Models through 10/3/10
12	F635365	External Supply Box Cover	Models through 10/3/10
13	F8152701	Trim	
14	F200233401P	Contact Block Switch	Includes F8069501 Contact Switch and F8538101 Contact Base
	F8069501	Contact Switch	
	F8538101	Contact Base	
	F8060501	Emergency Stop Harness	
15	210098	PC Board Standoff	Network models
16	203028	Network Board Assembly	Network models
	NK205	Network Retrofit Kit	Includes item 28, 203028 Network Board Assembly, 210099 Communication Connector, 44088501 Network Wire Harness Assembly, 210095 Communication Board, 51780 Screw, 800219 Communication Wiring Harness and 803195 Conversion Label
	NK220	Network Controller Kit	
	NK301	Wireless Network Kit	Includes 202335 Wireless Transceiver Assembly, 44088501 Network Wire Harness Assembly, D501441 Electronic Control Shield, 55801 Harness Strap, D503661 Screw, F430903 Screw and F43232 Nut
	NK320	Ethernet Gateway Kit	Used with NK301 Wireless Network Kit
	NK330	USB Gateway Kit	Used with NK301 Wireless Network Kit
17	F8427001	Control Module Decal	Models UW125TV, UWL125T3V, UWN125T3V and UWU125T3V
	F8297101	Overlay	All other models
18	F200233500	Emergency Stop Pushbutton	
19	F982P3	Control Kit	Models UW125TV, UWL125T3V, UWN125T3V and UWU125T3V
	F983P3	Control Kit	All other models
20	F8036101	Control Board Bracket	
21	685846	Nut	
22	F8069501	Contact Switch	
23	F8367701	Rocker Switch	Dual steam and electric heat
24	F8368301	Steam-Electric Switch Label	Dual steam and electric heat
25	F8103001	Supply Controls Bracket	Model UW125TV; Models through 6/30/08
26	F430903	Screw	Model UW125TV; Models through 6/30/08
27	F200061000	Clean Filter Daily Decal	
28	F8073005	Control Harness Tray	Models through 10/3/10
	F8290305	Control Harness Tray	Models starting 10/4/10
29	F8073105	Harness Tray Cover	Models through 10/3/10
	F8290805	Harness Tray Cover	Models starting 10/4/10
30	F8117601	Screw	
31	430497	Screw	
32	70030501	Expansion Clip	

Control Module (Drawing 2 of 3)

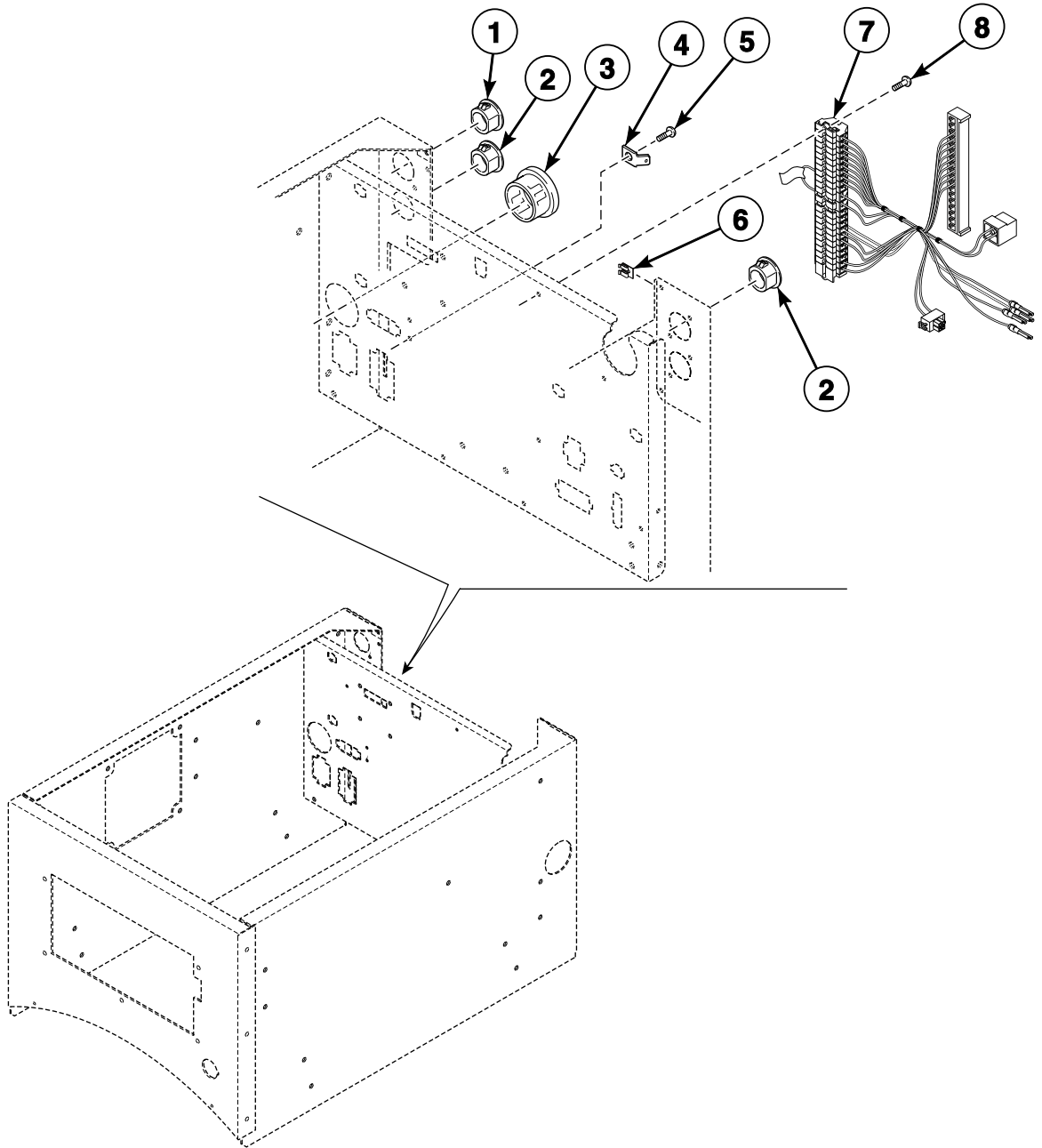


PHM3035P_F8165301

Control Module (Drawing 2 of 3)

REF	PART NO.	DESCRIPTION	COMMENTS
	F8028112	CFG Harness	
	44088501P	Network Wire Harness Assembly	
	F8028401	Output Auxiliary Power Harness	
	F8367801	Power Harness	Dual steam and electric heat
	F8060401P	Power Harness	
	F8030101P	Drive Control Harness	
	F8030501P	Interlock Switch Harness	
	M413506	Jumper Harness Assembly	208 Volt
	M413507	Jumper Configuration Assembly	240 Volt
1	F8117601	Screw	Model UW125TV
	F8206901	Screw	All other models
2	F980P3	Control Assembly Kit	
	802492	Fuse	5 Amp
	802493	Fuse	2.5 Amp
3	70030501	Expansion Clip	
4	F8153901	Tubing	
5	F8246601	Tee	
6	F8339601	Tubing	
7	F8223001P	Water Pressure Switch	
8	F422500	Connector	
9	F020014200	Air Trap Hose	
10	F200222	Hose Clamp	No. 12
11	201616P	Transformer	External supply transformer
12	803527P	Transformer	Machine control step-down transformer
13	70346501	Bushing	
14	F8108501P	Output Assembly	
15	00177	Male Tab Terminal	Models through 10/3/10
16	M405340	Snap Bushing	Models through 10/3/10
17	F430948	Screw	Models through 10/3/10
18	F430232	Nut	
19	44324001	Warning Label	Shock/pinch
20	F140938	Snap Bushing	Models through 10/3/10
21	F8079401	Network Board Bracket	
22	F430231	Nut	
23	F110110	Muffin Fan	
24	F220900	Filter Retainer Guard	Includes item 27
25	F430910	Screw	
26	F431210	Pop Rivet	
27	F200318900P	Filter	
28	203028	Network Board Assembly	Network models
29	F430903	Screw	
30	F8189401P	Auxiliary Control Assembly	Models UWL125K1M, UWN125K1M, UWN125K1V and UWU125K1M

Control Module (Drawing 3 of 3)

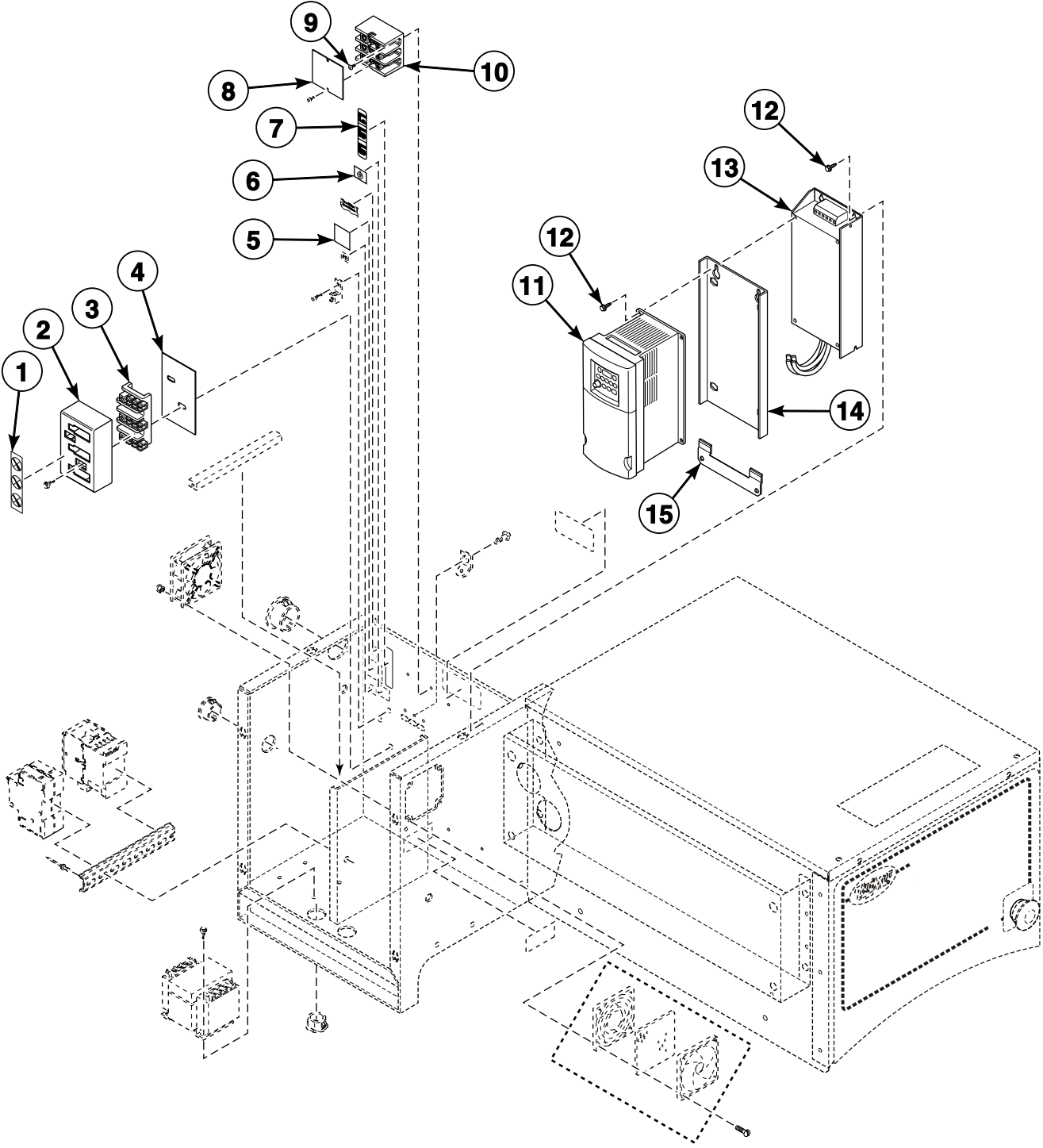


PHM3111P_F8165301

Control Module (Drawing 3 of 3)

REF	PART NO.	DESCRIPTION	COMMENTS
1	F180486	Cap Plug	Model UW125TV
	F8223901	Plug	All other models
2	F140527	Plug	Model UW125TV
	M400985	Plug	All other models
3	M402542	Snap Bushing	
4	00117	Female Pin Terminal	
5	51780	Screw	
6	M400984	Clip	
7	F8029501P	External Supply Harness	Models UW125TV, UWL125T3V, UWN125T3V and UWU125T3V
	F8191201P	External Supply Harness	All other models
8	F8136601	Screw	

AC Drive Box (Drawing 1 of 2)

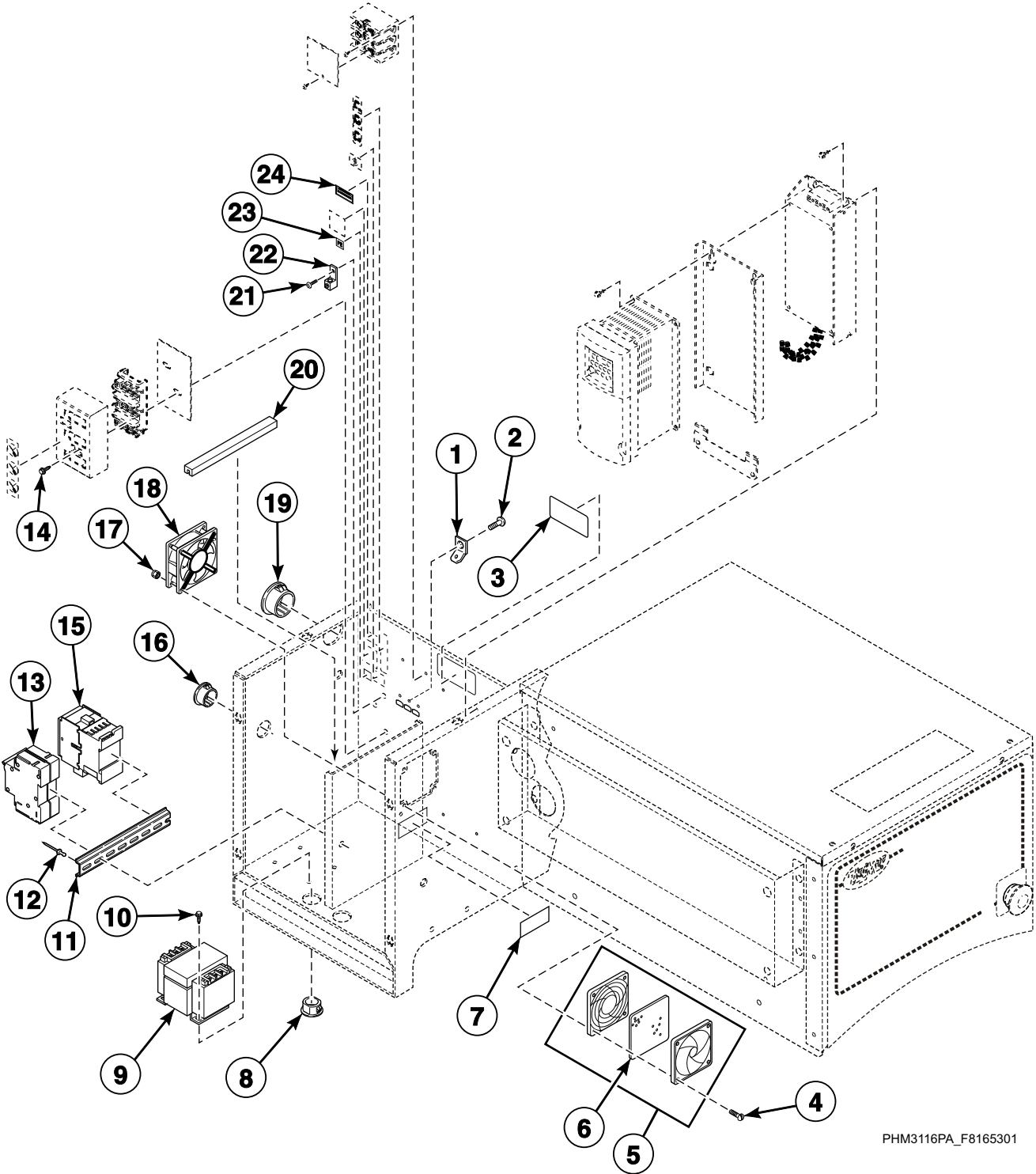


PHM3116P_F8165301

AC Drive Box (Drawing 1 of 2)

REF	PART NO.	DESCRIPTION	COMMENTS
	F8054601	Electric Heat Harness	Left
	F8054602	Electric Heat Harness	Middle
	F8054603	Electric Heat Harness	Right
	F8060001	Logic Supply Power Harness	
	F8028701	Output/Logic Harness	
	F8060301	Main Power Harness	
	F8054901	Electric Heat Coils Harness	KM8A
	F8054903	Electric Heat Coils Harness	KM8ABC
1	F8345901	Do Not Tamper Label	
2	70333001	Terminal Block Shield	
3	430642	Terminal Block	
4	M413862	Insulator	
5	F230630	Ground Decal	
6	F230739	Ground Decal	
7	70218701	Wire Label	
8	44014901P	Power Distribution Block Cover	Electric heat
9	39733	Screw	Electric heat
10	M413865	Terminal Block	Electric heat
11	F8169670	AC Drive	Q-voltage
	F8169671	AC Drive	R-voltage
	F8027802	Drive Power Harness	
	F8030201P	Drive Control Harness	
12	M411072	Screw	
13	F8054001	EMI Filter	CE models; Q-voltage
	F8054002	EMI Filter	CE models; R-voltage
	F8129001	EMI Filter Power Harness	
14	F8386902	Drive Mounting Bracket	Models starting 10/4/10; Replaces item 13
15	F8322402	Drive Bracket	Models starting 10/4/10

AC Drive Box (Drawing 2 of 2)

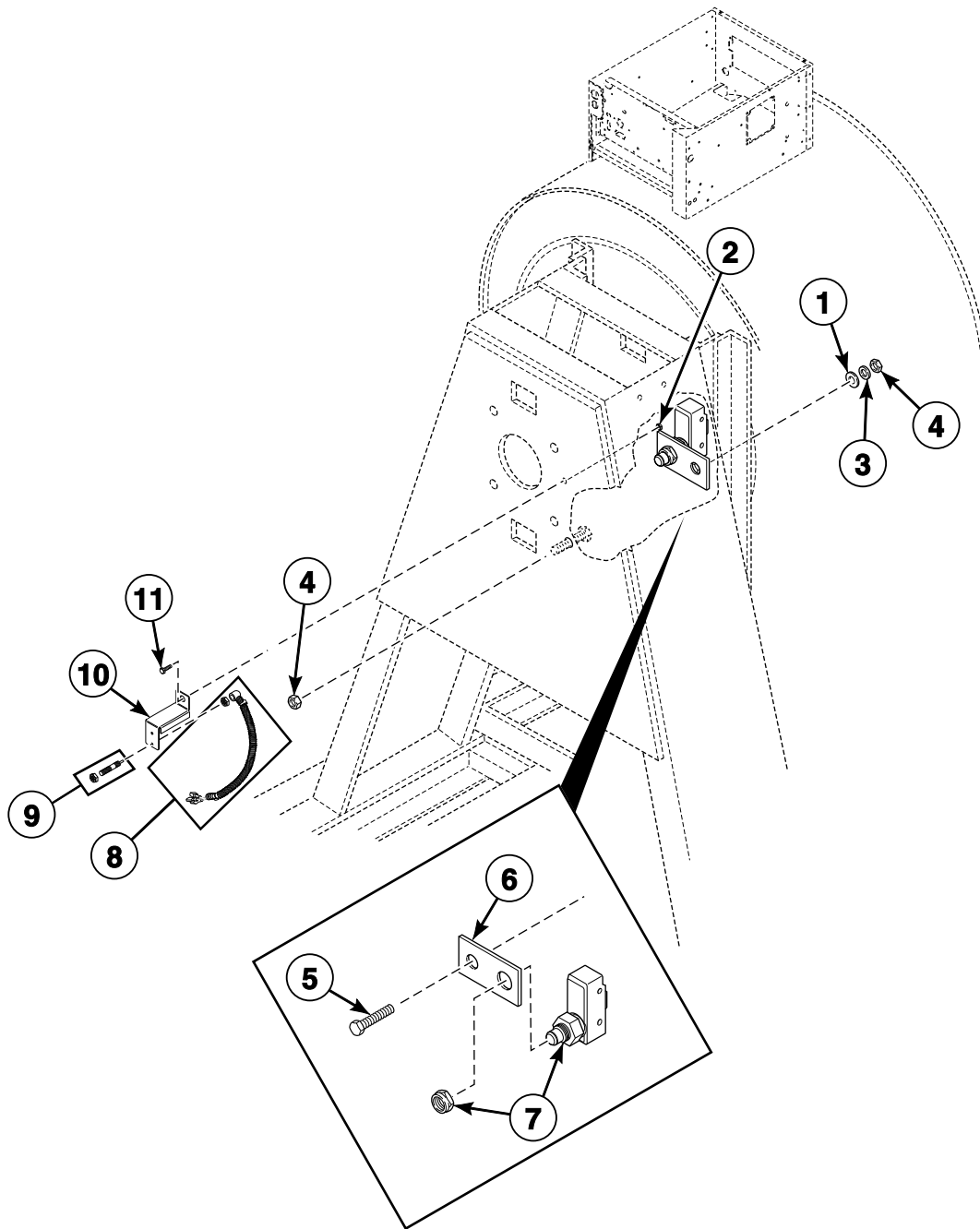


PHM3116PA_F8165301

AC Drive Box (Drawing 2 of 2)

REF	PART NO.	DESCRIPTION	COMMENTS
	F8054601	Electric Heat Harness	Left
	F8054602	Electric Heat Harness	Middle
	F8054603	Electric Heat Harness	Right
	F8060001	Logic Supply Power Harness	
	F8028701	Output/Logic Harness	
	F8060301	Main Power Harness	
	F8054901	Electric Heat Coils Harness	KM8A
	F8054903	Electric Heat Coils Harness	KM8ABC
1	M411283	Ground Lug Connector	
2	F430903	Screw	
3	F8115501	Electric Shock Danger Label	
4	F8151201	Screw	
5	F220900	Filter Retainer Guard	Includes item 6
6	F200318900P	Filter	
7	F200061000	Clean Filter Daily Decal	
8	F8144101	Plug	
9	F360157P	Transformer	R-voltage
10	M411072	Screw	
11	F8134101	DIN Rail	
12	70058501	Pop Rivet	
13	F8303001P	Circuit Breaker	R-voltage; Electric heat
	70256901P	Circuit Breaker	R and Q-voltage; Electric heat
	F8030001	Harness	R and Q-voltage
	F8030002P	Harness	R and Q-voltage
	F8405101	Step Down Power Harness	R-voltage
14	M412105	Screw	Model UW125TV
	51783	Screw	All other models
15	F330188P	Contactors	NX208; R and Q-voltage; Electric heat
16	M402542	Snap Bushing	Model UW125TV
	F8223901	Plug	All other models
17	F430231	Nut	
18	F110110	Muffin Fan	
	F8113901	Drive Fan Harness	
19	F8223801	Hole Plug	UWL, UWN and UWU models
20	F8152703	Trim	
21	51780	Screw	
22	00177	Male Tab Terminal	
23	M412096	Earth Terminal Sticker	
24	F8242201	Use Copper Conductors Only Caution Label	UWL, UWN and UWU models

Balance Switch and Rotation Sensor

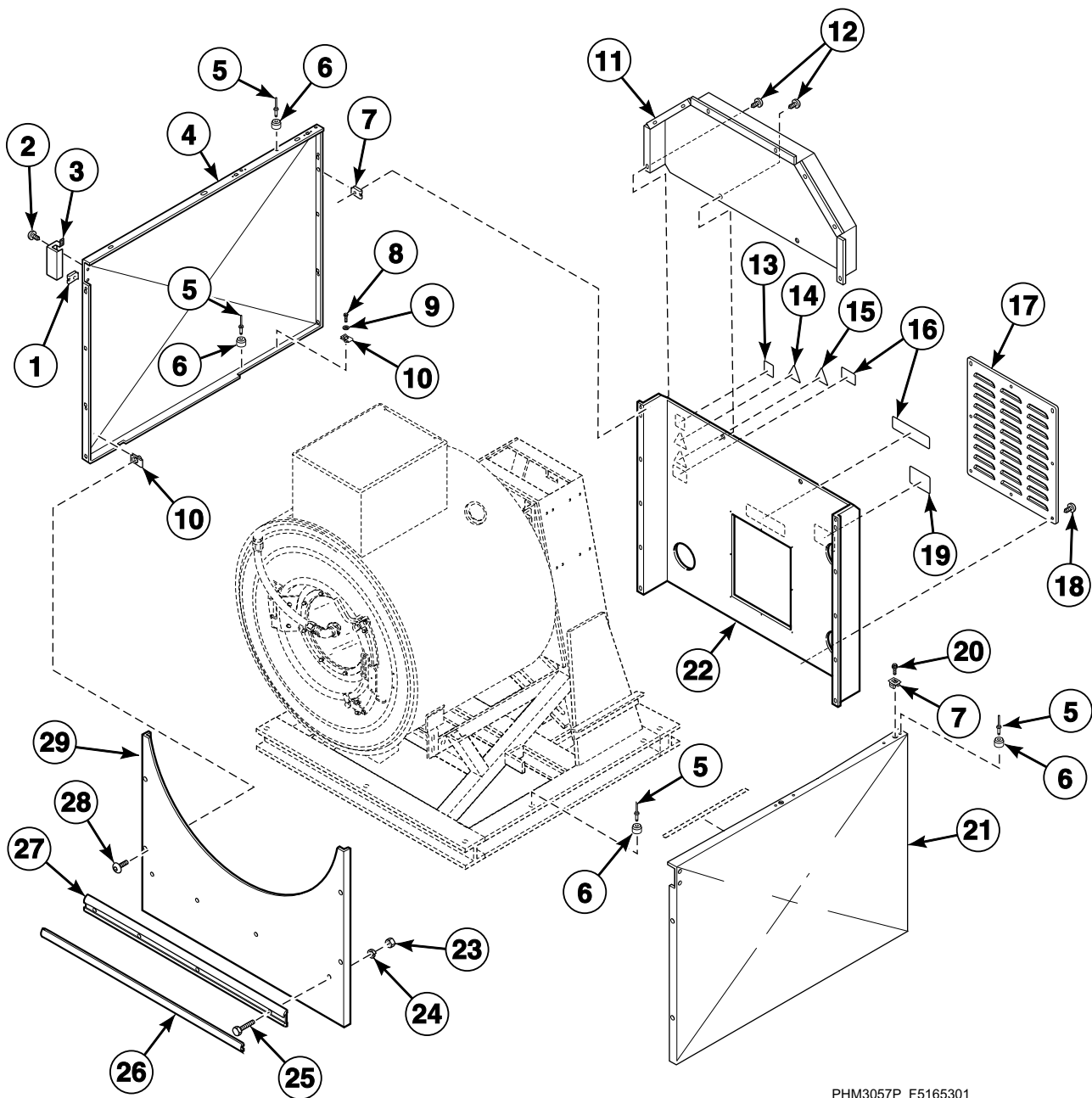


PHM2906P_F8165301

Balance Switch and Rotation Sensor

REF	PART NO.	DESCRIPTION	COMMENTS
1	M400081	Washer	
2	F430218	Nut	
3	M400014	Washer	
4	44087301	Nut	
5	800461	Screw	
6	F8124301	Balance Switch Bracket	
7	F8165201	Door Switch	
8	F8066401	Rotation Sensor Harness	
9	F8066201	Rotation Sensor	
10	F8103102	Rotation Sensor Bracket	
11	F430927	Screw	

Panels

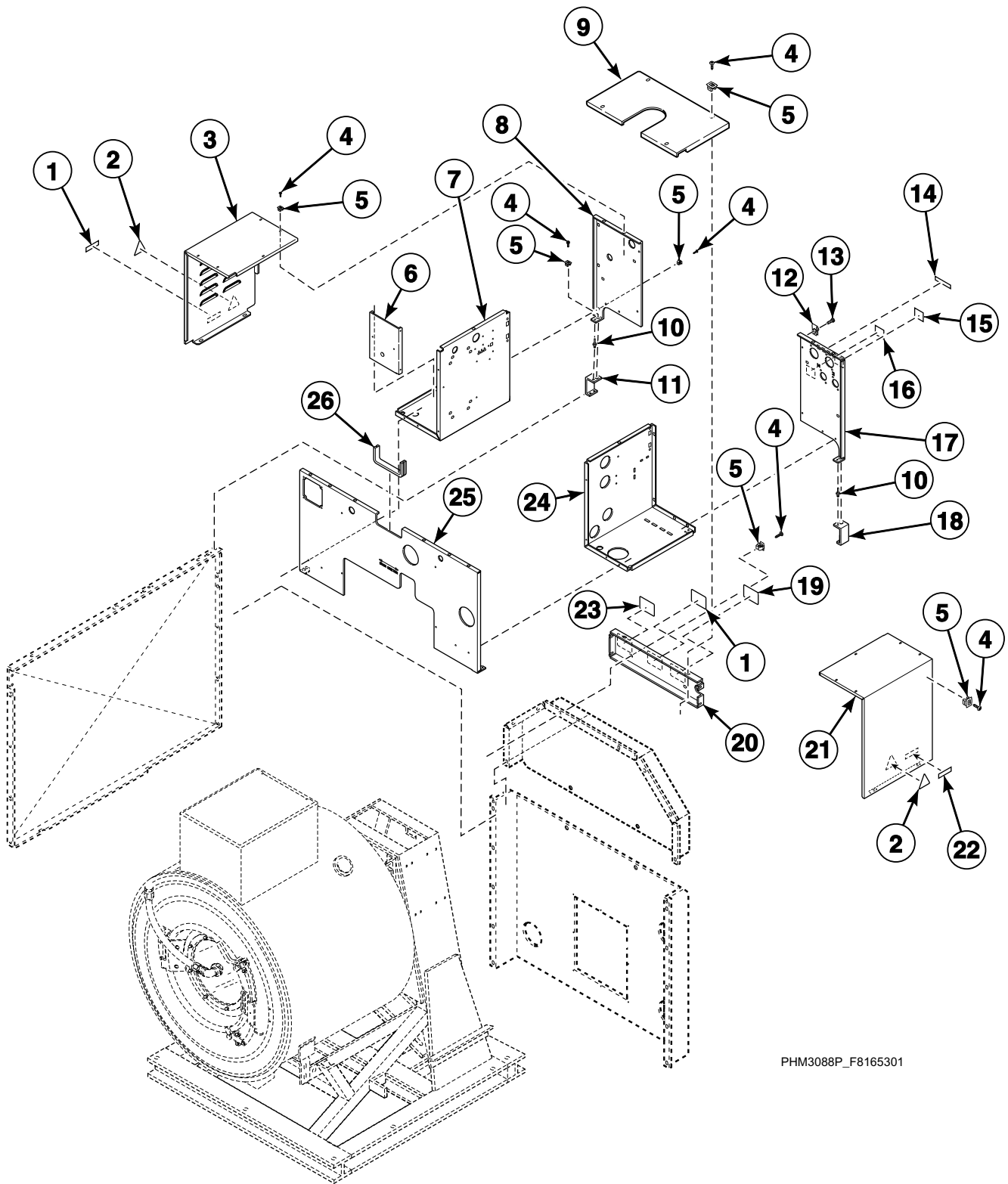


PHM3057P_F5165301

Panels

REF	PART NO.	DESCRIPTION	COMMENTS
1	F430264	Nut	
2	F430956	Screw	
3	F8098501	Side Panel Cover	
4	F8106902P	Left Side Panel	
5	M412763	Rivet	
6	56079	Panel Locator	
7	70030501	Expansion Clip	
8	20253	Screw	
9	M405535	Washer	
10	70030401	Nut	
11	F8244501	Upper Belt Guard Assembly	
12	F8117601	Screw	Model UW125TV
	F8206901	Screw	All other models
13	F200318200	Cover Decal	
14	70360901	Belt Edging Warning Label	
15	D502511	Electrical Shock Label	
16	44324001	Warning Label	
17	F8117501	Belt Access Guard Panel	
18	70240301	Screw	
19	F8246401	Mount on Concrete Warning Label	
20	M411072	Screw	
21	F8106901	Right Side Panel	
22	F8244601	Lower Belt Guard Assembly	
23	F430211	Nut	
24	F431100	Washer	
25	F430921	Screw	
26	F150397	Extrusion Insert	Order 4 feet
27	F150410	Rub Rail	
28	70182601	Screw	
29	F8096301	Front Panel	

Drive Box and Water Supply Box - Models Through 10/3/10

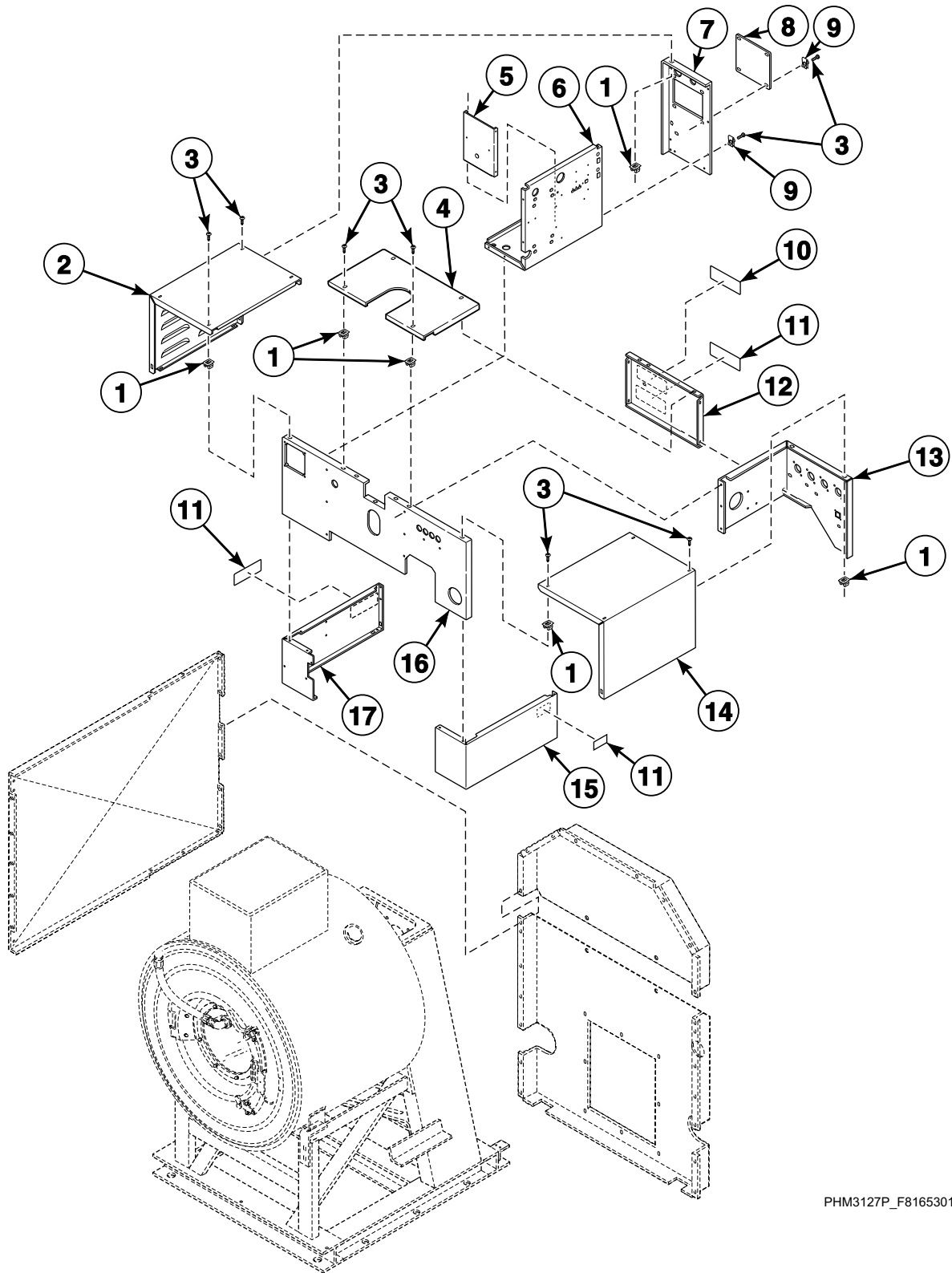


PHM3088P_F8165301

Drive Box and Water Supply Box - Models Through 10/3/10

REF	PART NO.	DESCRIPTION	COMMENTS
1	44324001	Warning Label	
2	D502511	Electrical Shock Label	
3	F8105102	Left Side Cover	Model UW125TV
	F8283902	Left Side Cover	All other models
4	F8117601	Screw	Model UW125TV
	F8206901	Screw	All other models
5	70030501	Expansion Clip	
6	F8120201	Partition	
7	F8105201	Drive Box Bottom	Model UW125TV
	F8284001	Drive Box Bottom Panel	All other models
8	F8118702	Rear Drive Box Panel	Model UW125TV
	F8283802	Drive Box Rear Panel	All other models
9	F8106601	Top Center Panel	
10	70058501	Pop Rivet	UWL, UWN and UWU models
11	F8302602	Support Bracket	UWL, UWN and UWU models
12	70030401	Nut	
13	20253	Screw	
14	F230734	Water Line Caution Decal	
15	F231368	Cold Water Valve Decal	
16	F231367	Hot Water Valve Decal	
17	F8118701	Rear Water Box Panel	Model UW125TV
	F8283801	Water Box Rear Panel	All other models
18	F8302601	Support Bracket	UWL, UWN and UWU models
19	F8614301	Hot Surface Warning Label	
20	F8106701	Top Support Brace	
21	F8105101	Right Side Cover	Model UW125TV
	F8283901	Right Side Cover	All other models
22	F8233501	Warning Label	
23	F8099701	Conversion Label	200-208 VAC
	F8099801	Conversion Label	380-415 VAC
24	F8105301	Water Box Bottom	Model UW125TV
	F8283701	Water Box Bottom Panel	All other models
25	F8106801	Front Box Panel	Model UW125TV
	F8289801	Front Bulkhead Panel	All other models
26	F170404	Trim	2 feet required

Drive Box and Water Supply Box - Models Starting 10/4/10

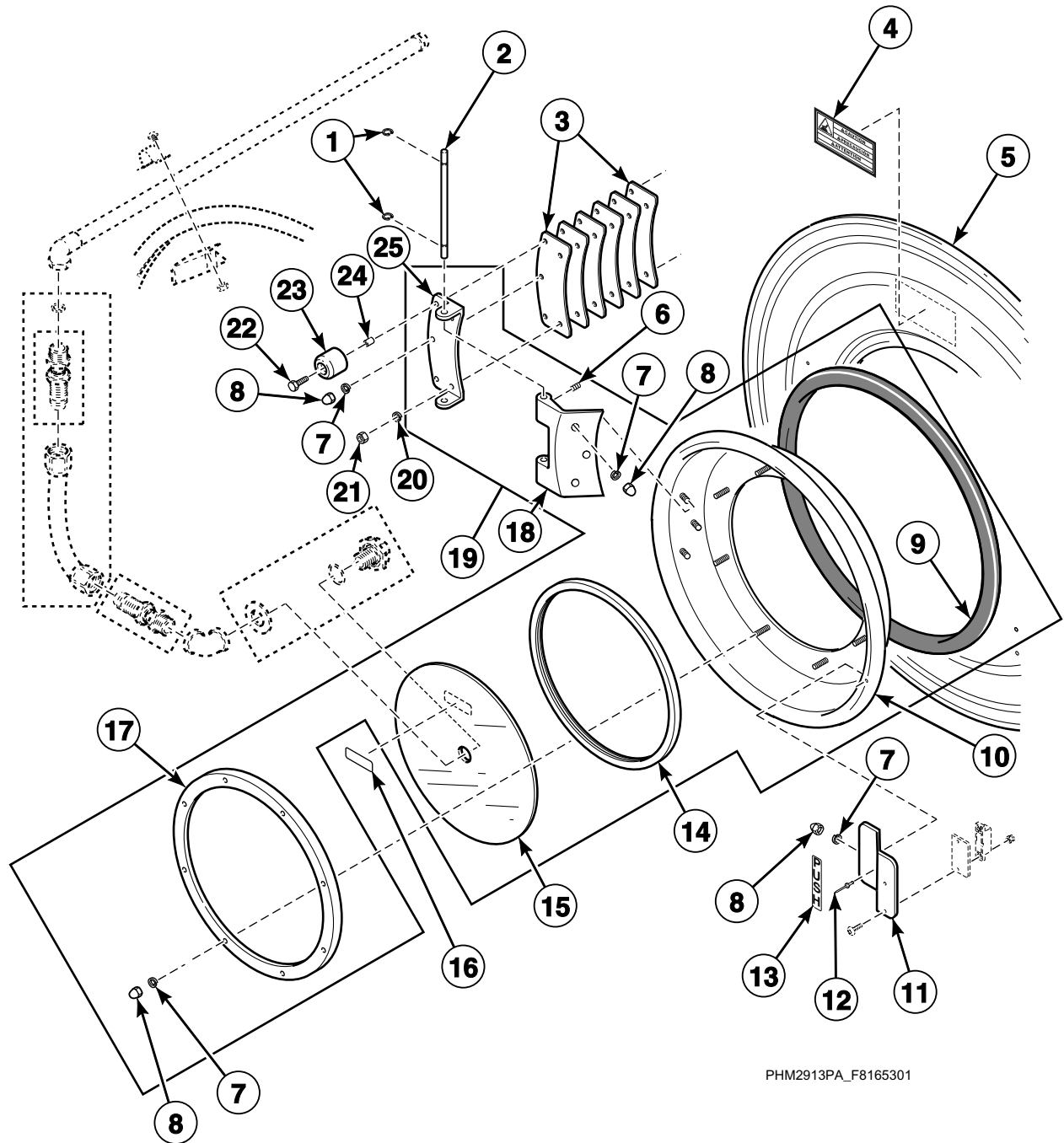


PHM3127P_F8165301

Drive Box and Water Supply Box - Models Starting 10/4/10

REF	PART NO.	DESCRIPTION	COMMENTS
1	70030501	Expansion Clip	
2	F8365002	Left Side Cover	
3	F8206901	Screw	
4	F8376301	Top Center Panel	
5	F8375901	Drive Box Partition	
6	F8375601	Drive Mounting Box	
7	F8376001	Drive Box Rear Panel	
8	F8377601	Electrical Access Panel	
9	F430264	Nut	
10	F8099701	Conversion Label	200-208 VAC
	F8099801	Conversion Label	380-415 VAC
11	44324001	Warning Label	
12	F8346503	Rear Center Panel	
13	F8374901	Back Water Panel	
14	F8365001	Right Side Cover	
15	F8375701	Side Water Box Panel	
16	F8374801	Front Bulkhead Panel	
17	F8375801	Side Electrical Box Panel	

Door - Models Through 10/3/10



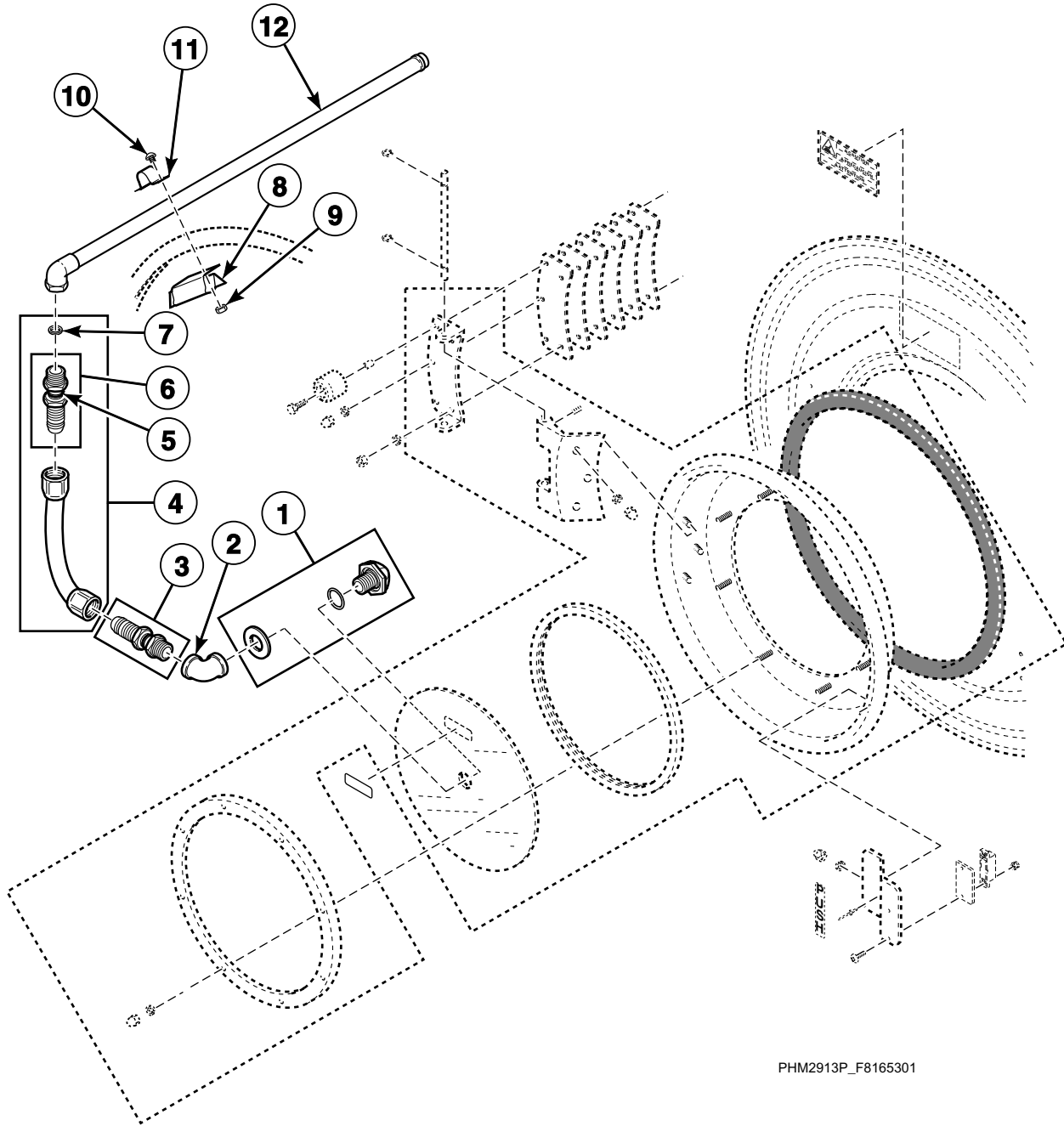
PHM2913PA_F8165301

Door - Models Through 10/3/10

REF	PART NO.	DESCRIPTION	COMMENTS
1	F310215	Retaining Ring	
2	F432307	Door Hinge Pin	
3	F601948	Door Butt Shim	
4	F200085000	Hot Surface Warning Decal	
5	F8011301P	Shell Front Kit	Includes item 4 and F170120RP Shell Band Gasket
	F200120000	Shell Front Assembly	Includes items 3, 4, 7, 8, 21, 23-25, F150201 Top Latch Bracket Casting, F150202 Lower Door Latch Bracket Casting, F150203 Door Handle Casting, F150204 Lower Door Latch Casting and F430939 Screw
6	F430502	Screw	
7	F431100	Washer	
8	F8549401	Nut	
9	F8434801	Door Gasket	
10	F634678	Studded Door Assembly	
11	F746202-1	Push Handle Kit	Includes item 13, F340703 Magnet, F430231 Nut, F430916 Screw, F431108 Washer, F431125 Washer, F603683 Door Push Brace and F8135201 Push Handle
12	F431210	Pop Rivet	
13	F230303	Push Decal	
14	F170115	Door Glass Gasket	
15	F290204P	Door Glass Kit	With hole; Models UW125TV, UWL125T3V, UWN125T3V and UWU125T3V
	F290210P	Glass	Without hole; All other models
16	F230652	Clockwise Spin Rotation Decal	
17	F601239	Door Glass Retainer	
18	F150228	Door Hinge	
19	F8145301	Door Assembly	With hole; Models UW125TV, UWL125T3V, UWN125T3V and UWU125T3V; Includes items 6-11, 13-15, 17, 25, F410102 Clear Sealant, F340703 Magnet, F430232 Nut and F430909 Screw
	F8145302	Door Assembly	Without hole; All other models; Includes items 6-11, 13-15, 17, 25, F410102 Clear Sealant, F340703 Magnet, F430232 Nut and F430909 Screw
20	F431106	Washer	
21	F431005	Nut	
22	F430103	Screw	
23	F150366	Door Bumper Moulding	
24	F430416	Door Bumper Bushing	
25	F150233	Door Butt	

Spray Tube Assembly - Models Through 10/3/10

Models UW125TV, UWL125T3V, UWN125T3V and UWU125T3V



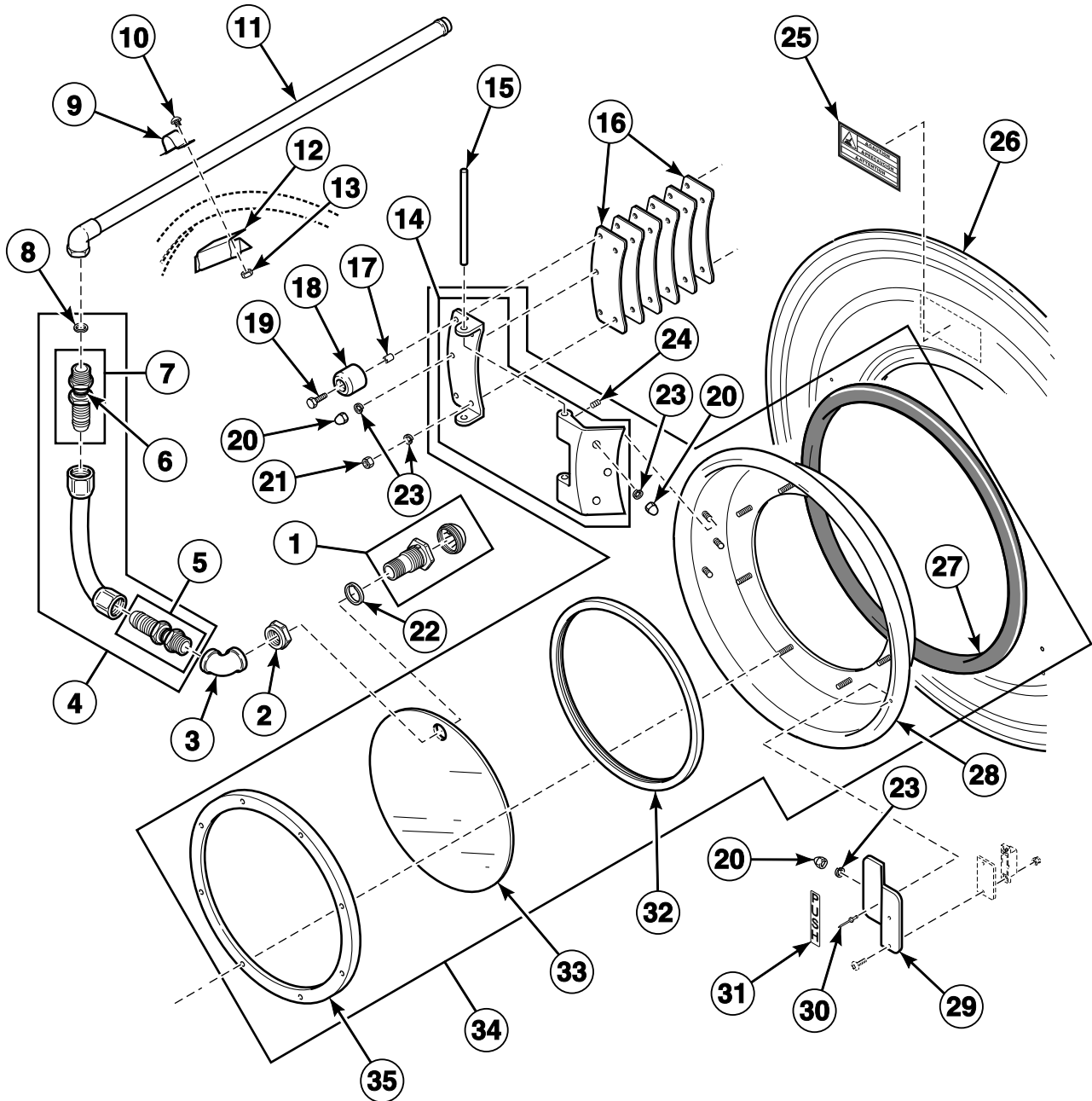
PHM2913P_F8165301

Spray Tube Assembly - Models Through 10/3/10

REF	PART NO.	DESCRIPTION	COMMENTS
1	F730077	Spray Rinse Nozzle Kit	
2	F422319	Elbow	
3	F422109	No-Swivel Coupling	
4	F730023	Spray Rinse Hose Kit	Includes items 5-7
5	F170201	O-Ring	
6	F422108	Swivel Coupling	
7	F310206	Ring Retainer	
8	F602901P	Spray Rinse Bracket Assembly	Includes items 9 and 10
9	F431022	Nut	
10	F430917	Screw	
11	F602880	Spray Rinse Strap	
12	F8126202	Spray Pipe Assembly	

Door and Spray Tube Assembly - Models Starting 10/4/10

UWL, UWN and UWU Models

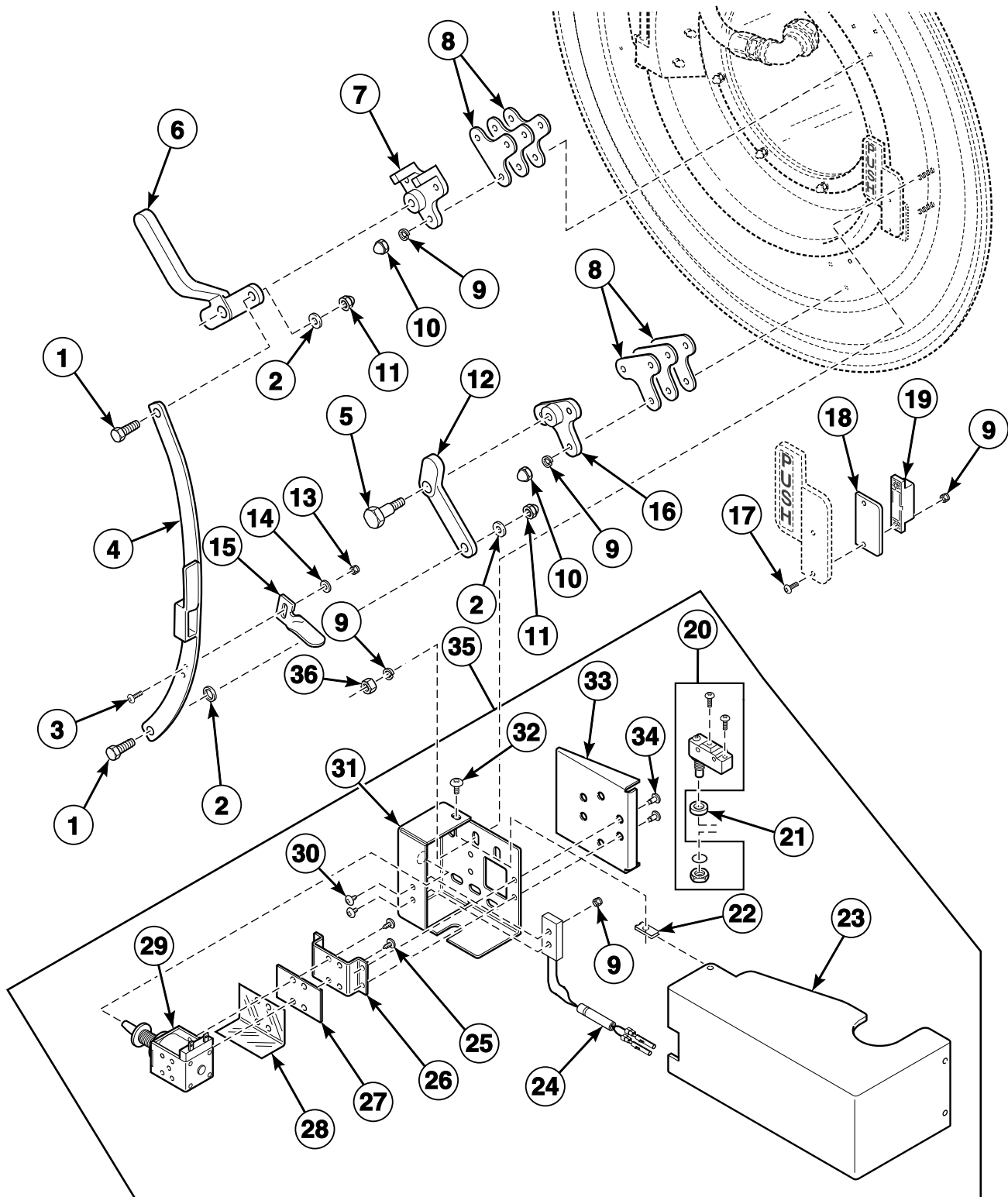


PHM3136P_F8165301

Door and Spray Tube Assembly - Models Starting 10/4/10

REF	PART NO.	DESCRIPTION	COMMENTS
1	F8356301	Door Spray Nozzle Assembly	Models UWL125T3V, UWN125T3V and UWU125T3V
2	F8322601	Nut	Models UWL125T3V, UWN125T3V and UWU125T3V
3	F422319	Elbow	Models UWL125T3V, UWN125T3V and UWU125T3V
4	F8379901	Spray Rinse Hose Assembly	Includes items 5-8; Models UWL125T3V, UWN125T3V and UWU125T3V
5	F422109	No-Swivel Coupling	Models UWL125T3V, UWN125T3V and UWU125T3V
6	F170201	O-Ring	Models UWL125T3V, UWN125T3V and UWU125T3V
7	F422108	Swivel Coupling	Models UWL125T3V, UWN125T3V and UWU125T3V
8	F310206	Ring Retainer	Models UWL125T3V, UWN125T3V and UWU125T3V
9	F602880	Spray Rinse Strap	Models UWL125T3V, UWN125T3V and UWU125T3V
10	F430917	Screw	Models UWL125T3V, UWN125T3V and UWU125T3V
11	F8126202	Spray Pipe Assembly	Models UWL125T3V, UWN125T3V and UWU125T3V
12	F602901P	Spray Rinse Bracket Assembly	Includes items 10 and 13; Models UWL125T3V, UWN125T3V and UWU125T3V
13	F431022	Nut	Models UWL125T3V, UWN125T3V and UWU125T3V
14	F200030600P	Door Hinge Strap Kit	
15	F432307	Door Hinge Pin	
16	F601948	Door Butt Shim	
17	F430416	Door Bumper Bushing	
18	F150366	Door Bumper Moulding	
19	F430103	Screw	
20	F8549401	Nut	
21	F431005	Nut	
22	F8322701	Spray Nozzle Gasket	Models UWL125T3V, UWN125T3V and UWU125T3V
23	F431100	Washer	
24	F430502	Screw	
25	F200085000	Hot Surface Warning Decal	
26	F8011301P	Shell Front Kit	Includes item 25 and F170120RP Shell Band Gasket
	F200120000	Shell Front Assembly	Includes items 14, 16-18, 21, 23, 25, F150201 Top Latch Bracket Casting, F150202 Lower Door Latch Bracket Casting, F150203 Door Handle Casting, F150204 Lower Door Latch Casting and F430939 Screw
27	F8434801	Door Gasket	
28	F634678	Studded Door Assembly	
29	F746202-1	Push Handle Kit	Includes item 31, F340703 Magnet, F430231 Nut, F430916 Screw, F431108 Washer, F431125 Washer, F603683 Door Push Brace and F605638 Door Push Handle
30	F431210	Pop Rivet	
31	F230303	Push Decal	
32	F170115	Door Glass Gasket	
33	F8350901	High Hole Glass	Models UWL125T3V, UWN125T3V and UWU125T3V
	F290210P	Glass	Without hole; All other models
34	F8374701	Door Assembly	Models UWL125T3V, UWN125T3V and UWU125T3V; Includes items 20, 22-24, 27-29, 32 and 33
	F8145302	Door Assembly	All other models; Without hole; Includes items 14, 20, 23, 24, 27-29, 31-33 and 35
35	F601239	Door Glass Retainer	

Door Lock

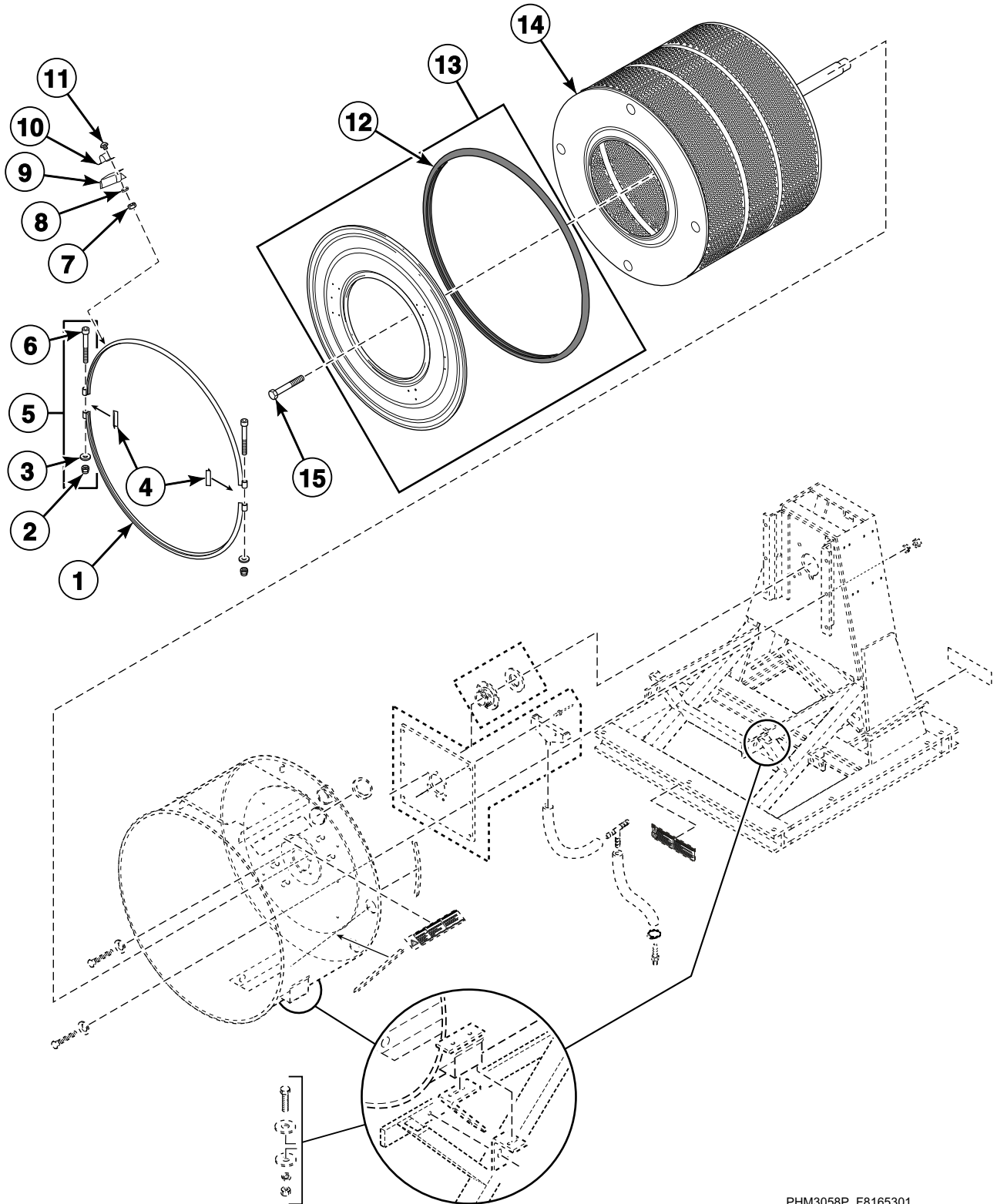


PHM3128P_F8165301

Door Lock

REF	PART NO.	DESCRIPTION	COMMENTS
	F8029101	Door Lock Harness	Models UW125TV, UWL125T3V, UWN125T3V and UWU125T3V
	F8158801P	Interlock Switch Harness	All other models
1	F430927	Screw	
2	F431118	Washer	
3	F430916	Screw	
4	F8154801	Extension Arm Weldment	
5	F430168	Screw	
6	F150203	Door Handle Casting	
7	F150201P	Top Latch Bracket Casting	
8	F602058	Door Latch Bracket Shim	
9	F431100	Washer	
10	F8549401	Nut	
11	F431043	Nut	
12	F150204	Lower Door Latch Casting	
13	F430231	Nut	
14	F431108	Washer	
15	F601639	Extension Arm Tab	
16	F150202	Lower Door Latch Bracket Casting	
17	F430909	Screw	
18	F609822	Handle Spacer	
19	F8390801	Magnet	
20	F8165201	Door Switch	
21	F601055	Interlock Switch Spacer	
22	F430264	Nut	
23	F8134201	Door Lock Cover	
24	F8066801P	Reed Switch Assembly	
25	F430995	Screw	
26	F8127501	Solenoid Mount Bracket	
27	F8133601	Door Lock Solenoid Shim	
28	F8135301	Door Lock Dielectric Shield	
29	F300129P	Door Lock Solenoid	
30	F430917	Screw	
31	F8127401	Lock Bracket	
32	F430956	Screw	
33	F8145201	Door Lock Mounting Block	
34	F431210	Pop Rivet	
35	F8127704	Door Lock Assembly	Includes items 9 and 20-34
36	802337	Nut	

Basket, Shell and Frame (Drawing 1 of 2)

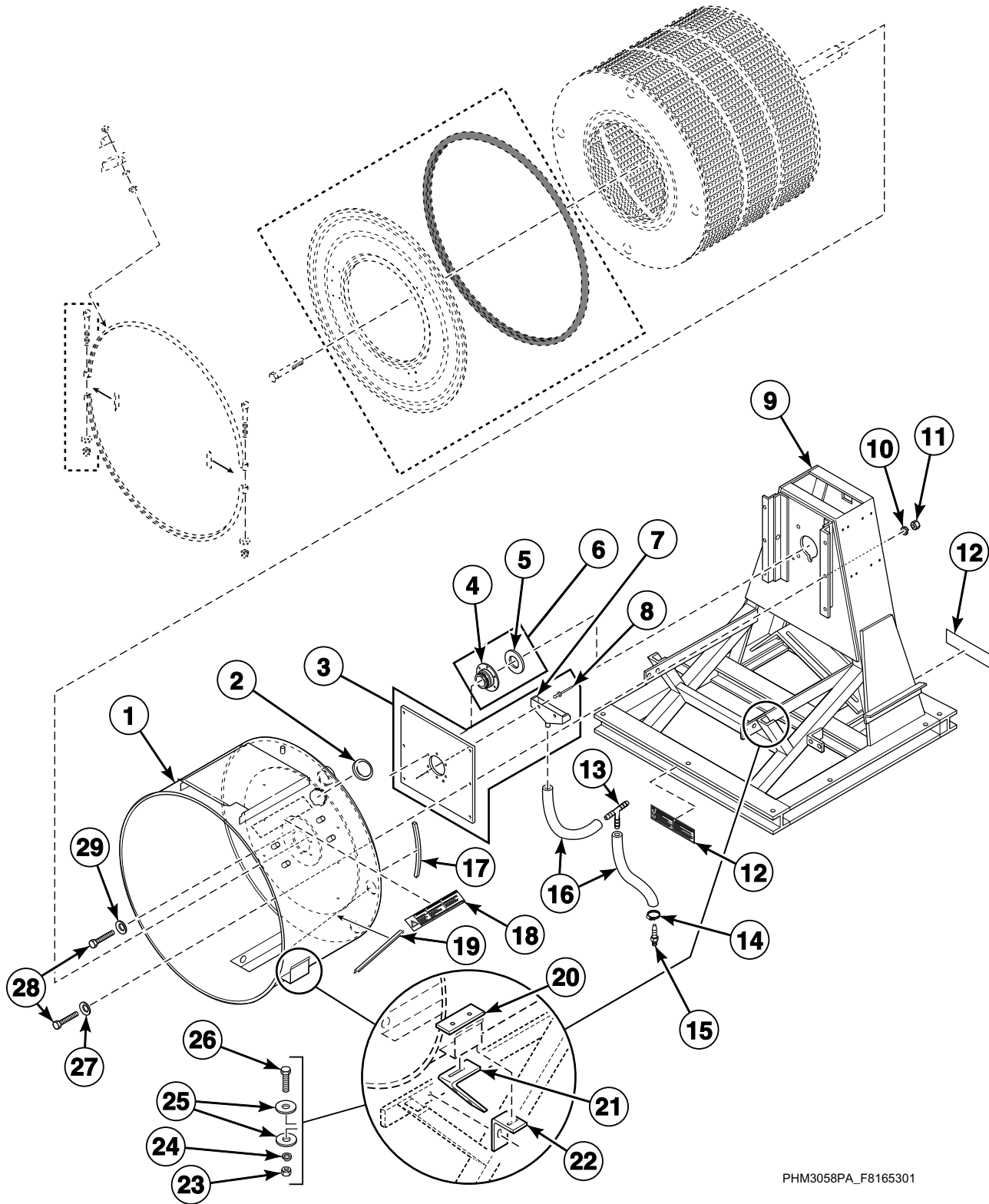


PHM3058P_F8165301

Basket, Shell and Frame (Drawing 1 of 2)

REF	PART NO.	DESCRIPTION	COMMENTS
1	F603630	Shell Band Assembly	Top
2	F430215	Nut	
3	F430317	Washer	
4	F601216	Shell Gasket Shield	
5	F791001	Shell Band Fastener Kit	Includes items 2, 3 and 6
6	F430518	Screw	
7	F431022	Nut	
8	F431113	Washer	
9	F602901P	Spray Rinse Bracket Assembly	
10	F602880	Spray Rinse Strap	
11	F430917	Screw	
12	F170120RP	Shell Band Gasket	Model UW125TV
	F8302003	Shell Band Gasket	All other models
13	F8136001P	Shell Front Weldment	
	F8157601	Shell Front Assembly	Includes F150201 Top Latch Bracket Casting, F150202 Lower Door Latch Bracket Casting, F150203 Door Handle Casting, F150204 Lower Door Latch Casting, F150233 Door Butt, F310215 Retaining Ring, F430103 Screw, F430168 Screw, F430215 Nut, F430231 Nut, F430312 Washer, F430416 Door Bumper Bushing, F430916 Screw, F430927 Screw, F431026 Nut, F431043 Nut, F431100 Washer, F431118 Washer, F431125 Washer, F200085000 Hot Surface Warning Decal, F150366 Door Bumper Moulding, F601639 Extension Arm Tab, F432307 Door Hinge Pin, F601948 Door Butt Shim, F602058 Door Latch Bracket Shim and F8154801 Extension Arm Weldment
14	F603686	Basket Assembly	
15	70391101	Screw	

Basket, Shell and Frame (Drawing 2 of 2)

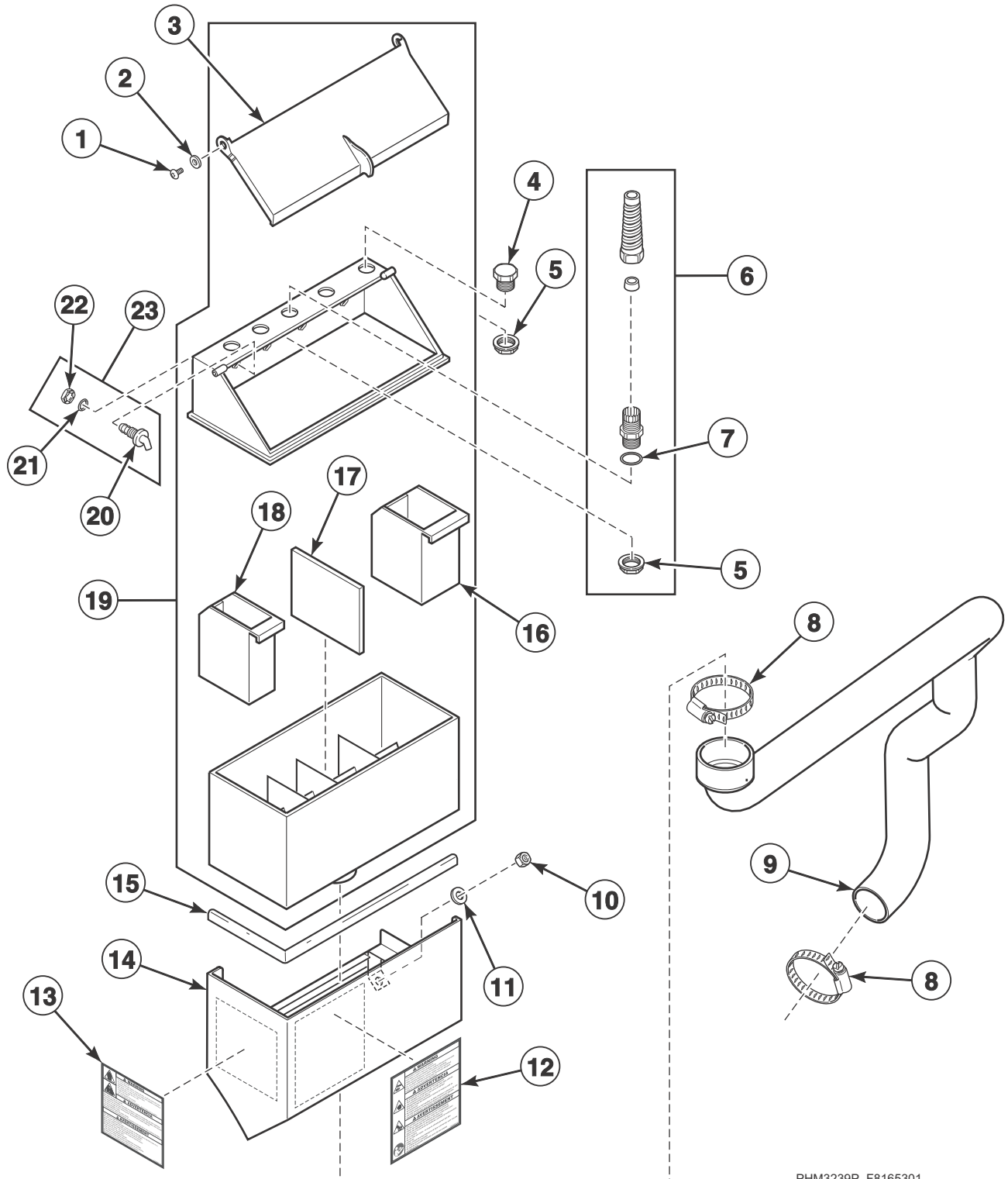


PHM3058PA_F8165301

Basket, Shell and Frame (Drawing 2 of 2)

REF	PART NO.	DESCRIPTION	COMMENTS
1	F8092201	Shell Weldment	Model UW125TV; Standard and steam heat
	F8092202	Shell Weldment	Model UW125TV; Electric heat
	F8273601	Shell Weldment	UWL, UWN and UWU models; Standard and steam heat; Models through 10/3/10
	F8378201	Shell Weldment	UWL, UWN and UWU models; Standard; Models starting 10/4/10
	F8378202	Shell Weldment	UWL, UWN and UWU models; Steam heat; Models starting 10/4/10
2	F0200237-00	Plug	
3	F8084301	Shell Reinforcement Plate Assembly	Includes items 7 and 8
4	F8162001	Face Seal	Standard
	F010031001	Face Seal	Viton
5	F100205	Slinger	
6	F798833-00	Seal Kit	Standard; Includes items 4 and 5, F170120RP Shell Band Gasket and sealant
	F798834-00	Seal Kit	Viton; Includes items 4 and 5, F170120RP Shell Band Gasket and sealant
7	F150389	Scupper	
8	F431215	Pop Rivet	
9	F8086601	Frame Weldment	
10	M400013	Washer	
11	70142	Nut	
12	44324001	Warning Label	Shock/pinch
13	F8137401	Tee	
14	36801	Hose Clamp	No. 6
15	F421929	Hose Barb	
16	F200107P	Water Hose	
17	F170400RP	Trim	2 feet required
18	F200085500	Moving Parts Plug Warning Decal	
19	F150364	Drip Rail	
20	F601950	Washer	
21	F603592	Shell Adjusting Bracket Assembly	Left
	F603615	Shell Adjusting Bracket Assembly	Right
22	F601951	Shell Bracket Support	
23	F430205	Nut	
24	M400014	Washer	
25	M400081	Washer	
26	800461	Screw	
27	F431116	Washer	
28	F430913	Screw	
29	F431112	Washer	

Supply Dispenser

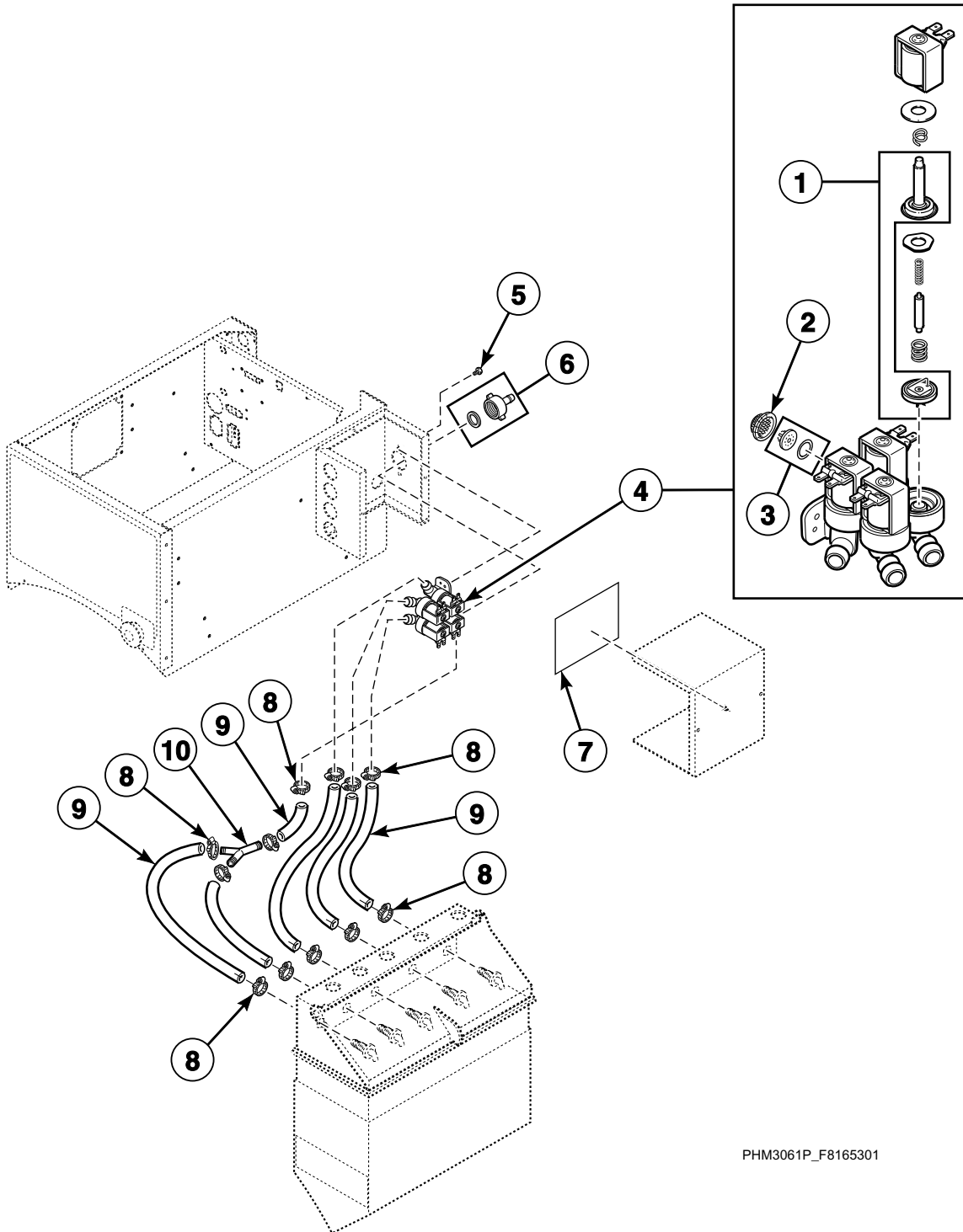


PHM3239P_F8165301

Supply Dispenser

REF	PART NO.	DESCRIPTION	COMMENTS
1	F430917	Screw	
2	F431133	Washer	
3	F0150514-00	Dispenser Lid	
4	F190304	Plug Cap	
5	F140340P	Strain Relief Connector	
6	F749802	Strain Relief Adapter Kit	Includes items 5 and 7
7	F170215	O-Ring	
8	F200213	Hose Clamp	No. 40
9	F150487	Chemical Supply Hose	Model UW125TV
	F8281701	Chemical Supply Hose	All other models
10	F431042	Nut	Loctite 262 required
11	F431147	Washer	
12	F200085300	Hot Water and Chemical Caution Decal	
13	F200085100	Spin Warning Decal	
14	F8024303	Dispenser Shroud Weldment	
15	F170400RP	Trim	
16	F150386	Chemical Supply Cup	32 ounce; 2 used
17	F0150525-00	Supply Dispenser Spacer	
18	F150385	Chemical Supply Cup	20 ounce; 3 used
19	F0150512-00P	Dispenser Assembly	Includes items 3 and 16-18
20	F8322001	Injection Nozzle	
21	F170208	O-Ring	
22	802292	Nut	
23	F730168	Injection Nozzle Kit	Includes items 20-22

Water Supply Valve and Hoses to Supply Dispenser - Models Through 10/3/10



PHM3061P_F8165301

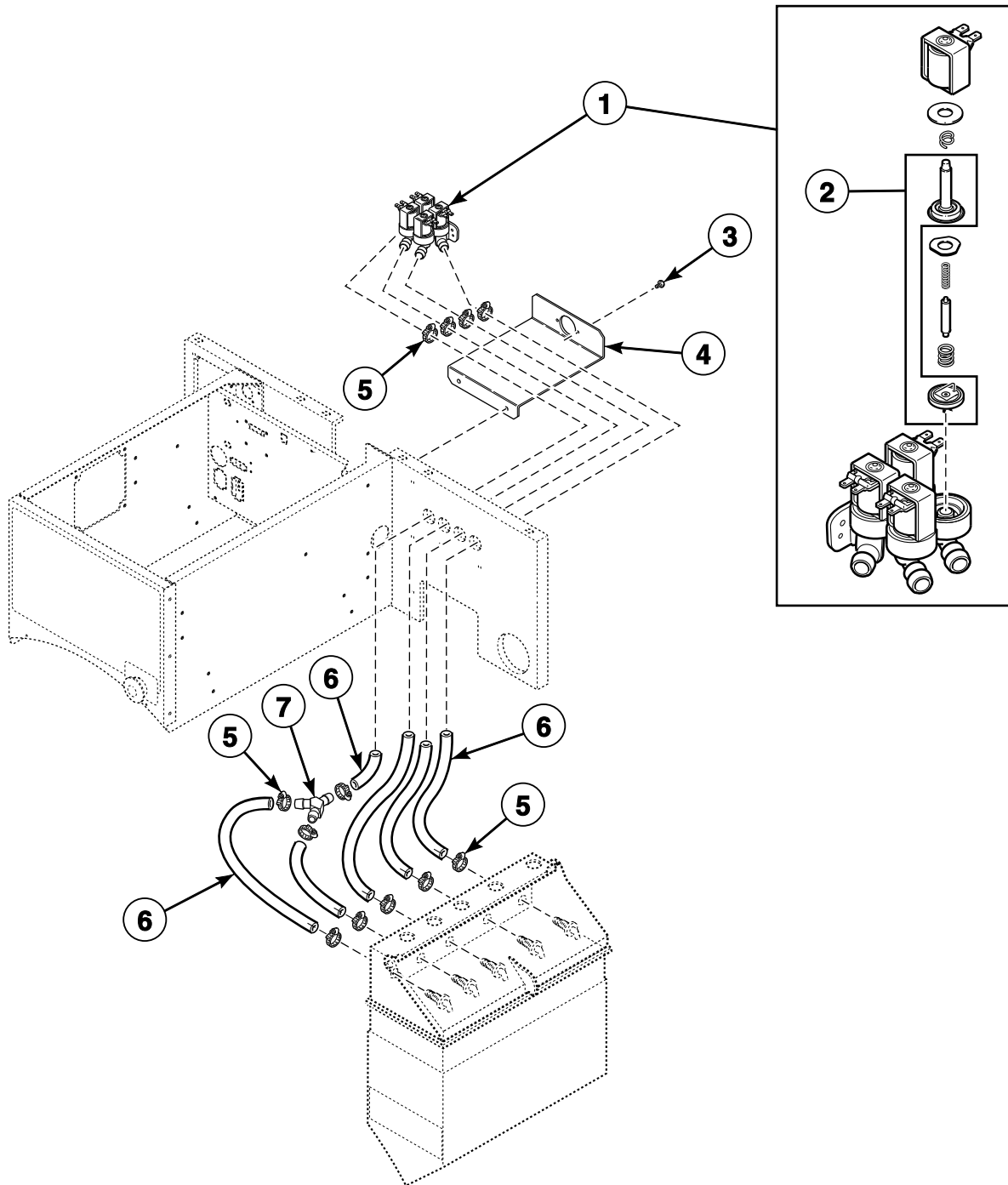
Water Supply Valve and Hoses to Supply Dispenser - Models Through 10/3/10

REF	PART NO.	DESCRIPTION	COMMENTS
1	G582P3	Diaphragm and Guide Kit	
2	F270200	Strainer	
3	N/A	Flow Restrictor	8 liter
4	F381723P	4-Way Valve	220 Volt
	F8091601P	Dispenser Valve Harness	
5	F430948	Screw	
6	F200302	Hose Connector	
7	F230754	Water Valve Assembly Decal	
8	36801	Hose Clamp	No. 6
9	F200110P	Water Hose	
10	F422816	Y Connector	

N/A = Part no longer available

Water Supply Valve and Hoses to Supply Dispenser - Models Starting 10/4/10

UWL, UWN and UWU Models



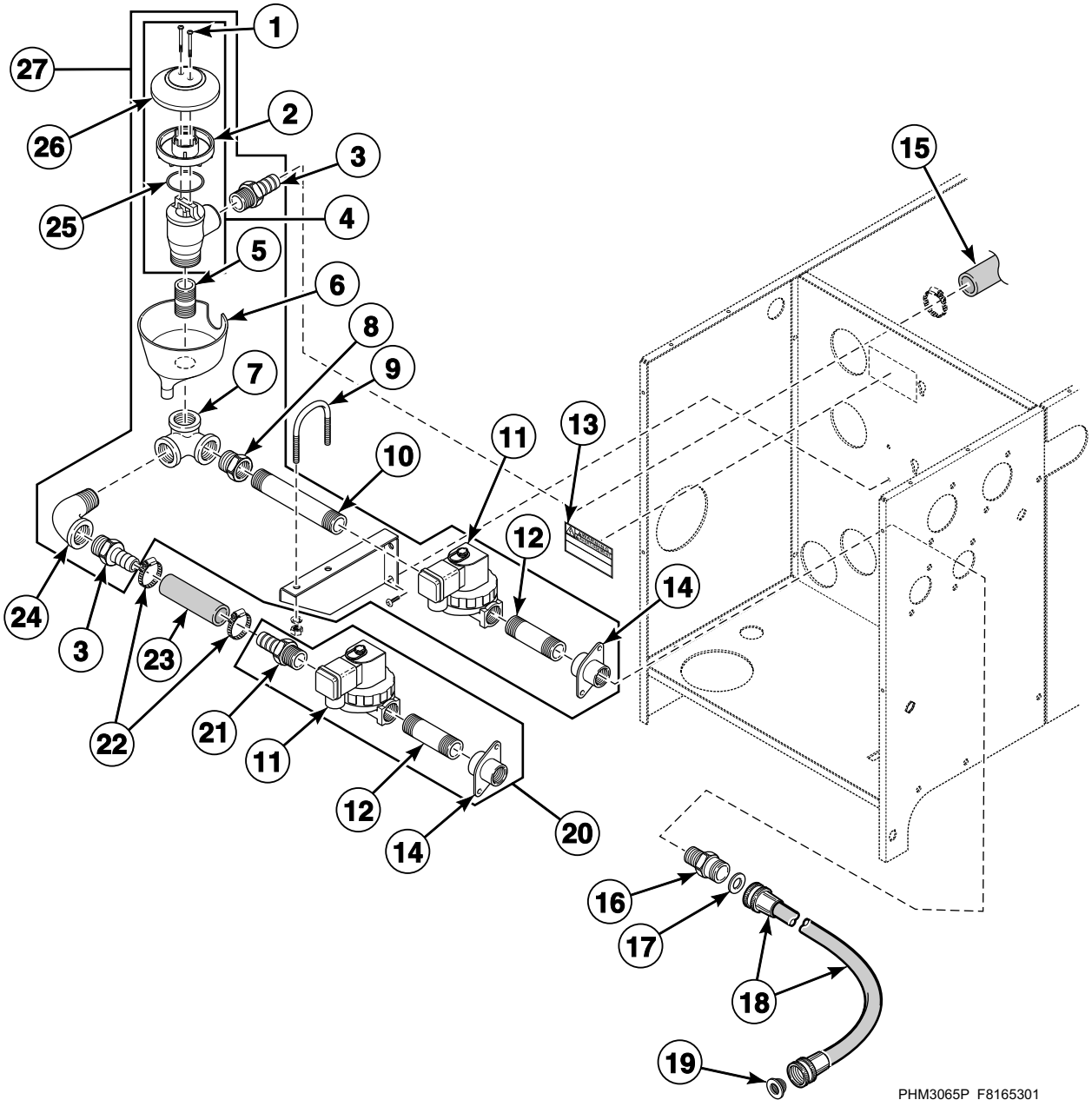
PHM3117P_F8165301

Water Supply Valve and Hoses to Supply Dispenser - Models Starting 10/4/10

REF	PART NO.	DESCRIPTION	COMMENTS
1	F8336601	4-Way Valve	240 Volt; Includes regulator
	F8347302	Dispenser Valve Harness	
2	G582P3	Diaphragm and Guide Kit	
3	F430948	Screw	
4	F8331901	Valve Mounting Bracket	
5	36801	Hose Clamp	No. 6
6	F200110P	Water Hose	
7	F422816	Y Connector	

Spray Plumbing Assembly - Models Through 10/3/10

Models UW125TV, UWL125T3V, UWN125T3V and UWU125T3V



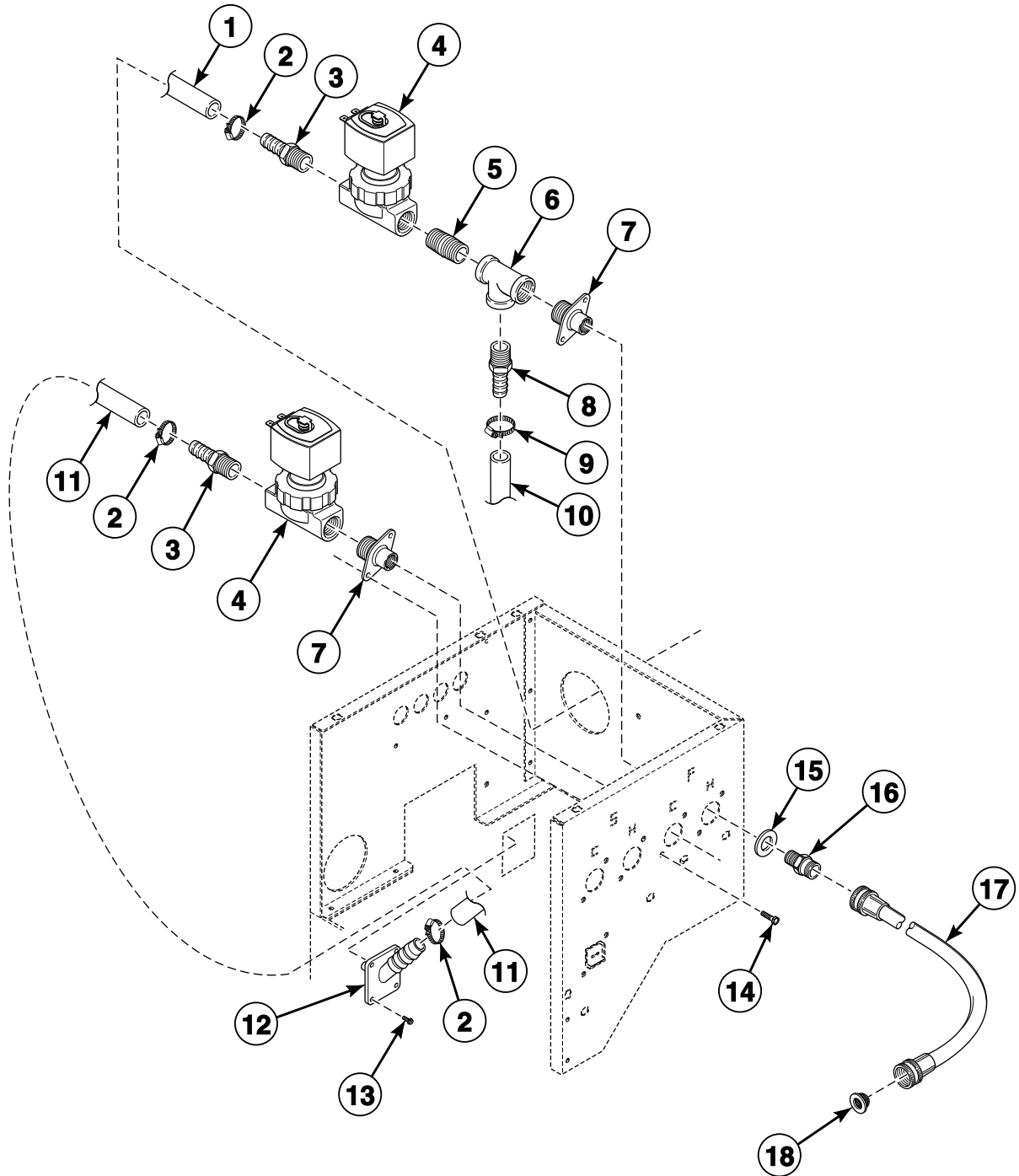
PHM3065P_F8165301

Spray Plumbing Assembly - Models Through 10/3/10

REF	PART NO.	DESCRIPTION	COMMENTS
	F8073601P	Supply/Fill Module Harness	
	F8073701P	Fill/Spray Valve Harness	
	F8514601P	Coil	220 Volt; Use with F8322803 Valve
	F8382301	DIN Valve Adapter Kit	Use with F8322803 Valve
	F8456201P	Valve Transition Kit	Use with F8322803 Valve
1	F430938	Screw	
2	F0380809-00	Containment Device	
3	F421952	Hose Barb	
4	F380800P	Vacuum Breaker Valve	Includes items 1, 2, 25 and 26
5	F420105	Nipple	
6	F8118401	Catch Basin	
7	F420509	Elbow	
8	F8100301	Reducer Bushing	
9	F200401P	U-Bolt Clamp	
10	F8110601	Nipple	
11	F8322803P	Valve	220 Volt; Replaces F381703P Valve; Includes F8514601P Coil
12	F420103	Nipple	
13	F8233501	Warning Label	
14	F8154501	Coupling	
15	F200104P	Hose	Order 3 feet
16	F421908	Hose Adapter	Standard thread; 1 1/2 inch
	F421909	Hose Adapter	Standard thread; 3/4 inch
	F8265701	Adapter	Metric thread
17	20290	Washer	
18	F200164	Water Hose	Standard thread
	F200166	Water Hose	Metric thread
19	F8126601	Strainer	Filter
20	F8116801	Cold Spray Plumbing Assembly	Includes items 11, 12, 14 and 21
21	F8110701	Hose Barb	
22	F200222	Hose Clamp	No. 12
23	F8137504	Hose	
24	F8118101	Street Elbow	
25	F0170221-00	O-Ring	
26	F0380808-00	Vacuum Breaker Cap	
27	F8074701	Hot Spray Plumbing Assembly	Includes items 3-8, 10-12, 14, 24, F8110901 Nipple and F8137502 Hose

Fill Plumbing Assemblies - Models Starting 10/4/10

UWL, UWN and UWU Models



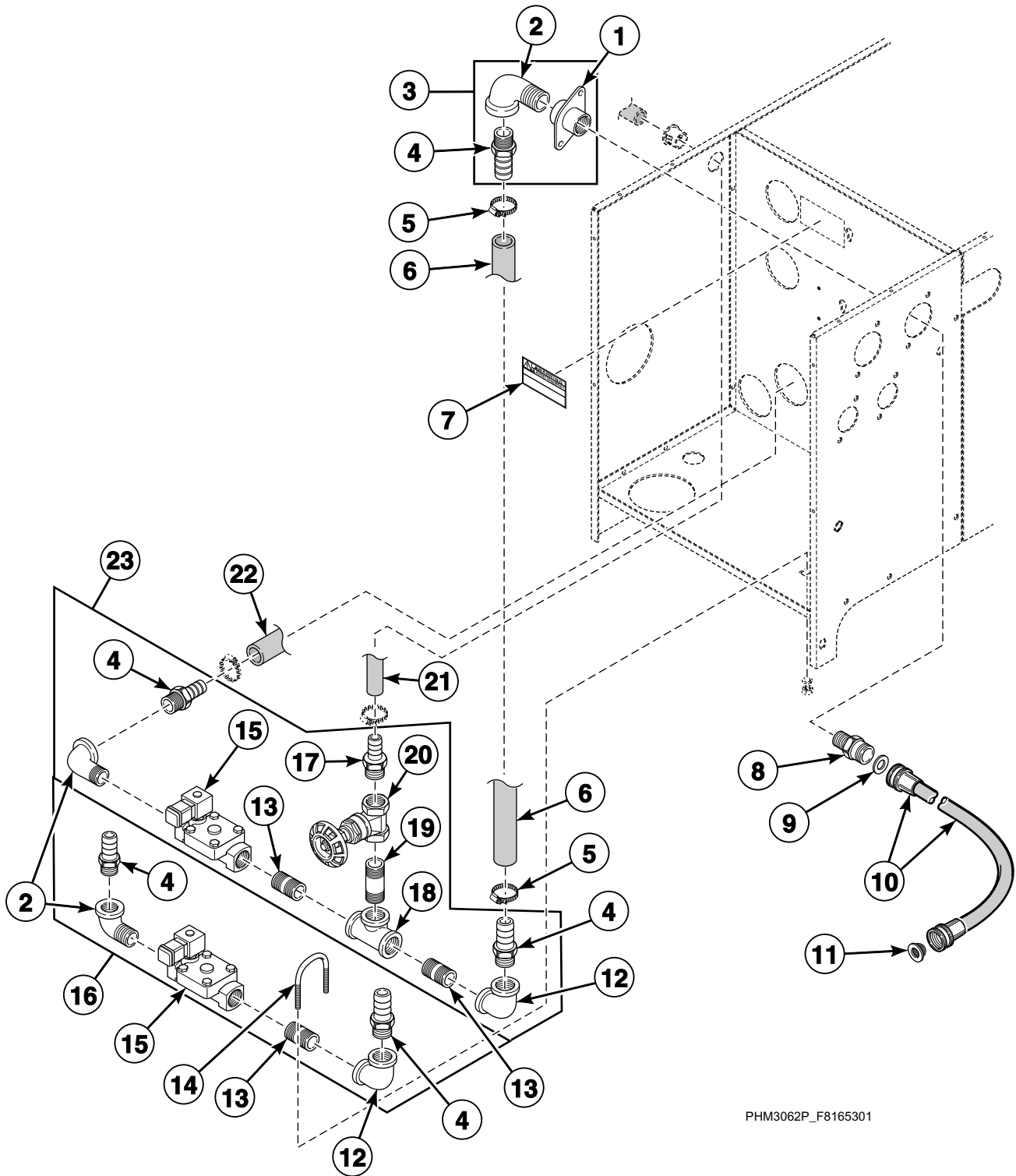
PHM3139P_F8165301

Fill Plumbing Assemblies - Models Starting 10/4/10

REF	PART NO.	DESCRIPTION	COMMENTS
	F8347501	Fill/Supply Harness	
	F8347104	Fill Valve Harness	
1	F8394001	Hose	
2	36801	Hose Clamp	No. 8
3	F421964	Hose Barb	
4	F8322905P	Valve	3/4 inch; Brass
	F8456202P	Valve Transition Kit	
5	C000417	Nipple	1/2 inch; Brass
6	N/A	Tee	
7	F8362703	Coupling	3/4 inch
8	F8110701	Hose Barb	
9	F200222	Hose Clamp	No. 12
10	F8394002	Hose	
11	F200165	Water Hose	
12	F8351601	Fill Port	
13	70442301	Screw	
14	20253	Screw	
15	20290	Washer	
16	F421968	Hose Adapter	Standard thread; 1 inch
	F8285801	Adapter	Metric thread
17	F200185	Water Hose	Standard thread
	F200193	Water Hose	Metric thread
18	F8126601	Strainer	Filter

N/A = Part no longer available

Fill Plumbing Assembly - Models Through 10/3/10



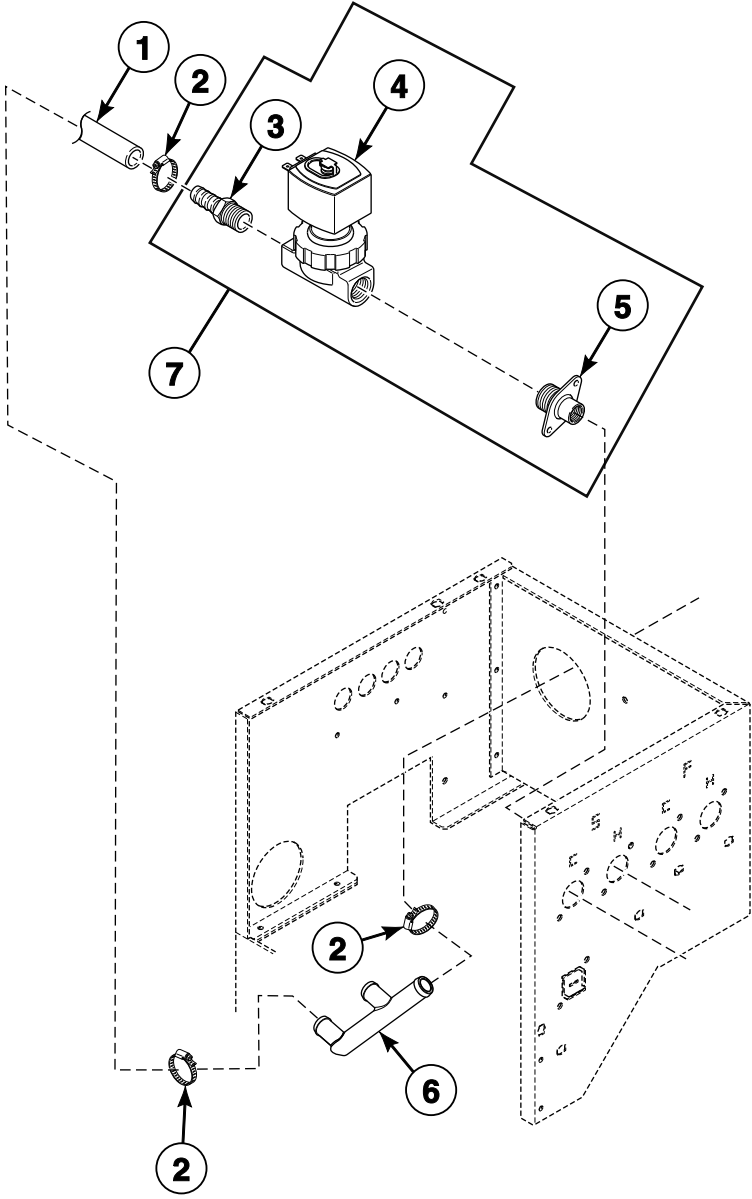
PHM3062P_F8165301

Fill Plumbing Assembly - Models Through 10/3/10

REF	PART NO.	DESCRIPTION	COMMENTS
	F8073601P	Supply/Fill Module Harness	Models UW125TV, UWL125T3V, UWN125T3V and UWU125T3V
	F8073702P	Fill Valve Harness	All other models
	F8158901P	Fill/Supply Harness	All other models
	F8073701P	Fill/Spray Valve Harness	
	F0381007P	Water Valve Repair Kit	Use with item 15
1	F8154503	Coupling	
2	F8118101	Street Elbow	
3	F8117102	Fill Plumbing Connection Assembly	Includes items 1, 2 and 4
4	F421952	Hose Barb	
5	F200222	Hose Clamp	No. 12
6	F8137502	Hose	
7	F8233501	Warning Label	
8	F421908	Hose Adapter	Standard thread; 1 1/2 inch
	F421909	Hose Adapter	Standard thread; 3/4 inch
	F8265701	Adapter	Metric thread
9	20290	Washer	
10	F200164	Water Hose	Standard thread
	F200166	Water Hose	Metric thread
11	F8126601	Strainer	Filter
12	F8110001	Elbow	
13	F8110901	Nipple	
14	F200401P	U-Bolt Clamp	
15	F381733P	Valve	
16	F8109501	Cold Fill Plumbing Assembly	Includes items 2, 4 and 12-15
17	F421964	Hose Barb	
18	F8118501	Tee	
19	F8079601	Nipple	
20	F380500	Gate Valve	
21	F200165	Water Hose	
22	C002657	Hose	
23	F8109701	Hot Fill Plumbing Assembly	Includes items 2, 4, 12, 13, 15 and 17-20

Spray Plumbing Assembly - Models Starting 10/4/10

Models UWL125T3V, UWN125T3V and UWU125T3V

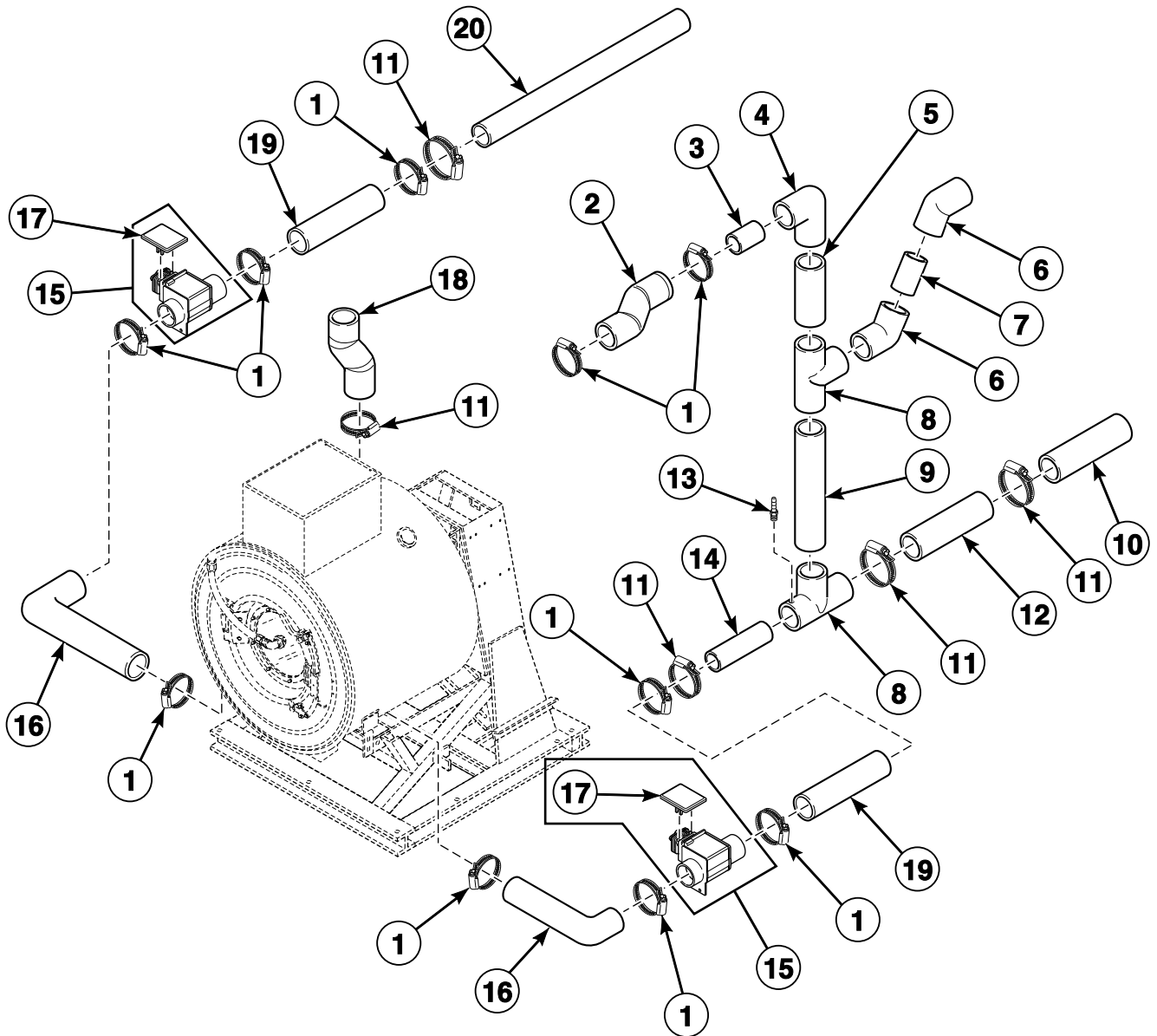


PHM3122P_F8165301

Spray Plumbing Assembly - Models Starting 10/4/10

REF	PART NO.	DESCRIPTION	COMMENTS
	F8347501	Fill/Supply Harness	
	F8347102	Fill Valve Harness	
1	F8232007	Hose	
2	36801	Hose Clamp	No. 8
3	F8110701	Hose Barb	
4	F8322905P	Valve	3/4 inch; Brass
	F8456202P	Valve Transition Kit	
5	F8362703	Coupling	3/4 inch
6	F8333201	Manifold	
7	F8288303	Fill Plumbing Assembly	

Drain Valve and Plumbing - Models Through 10/3/10



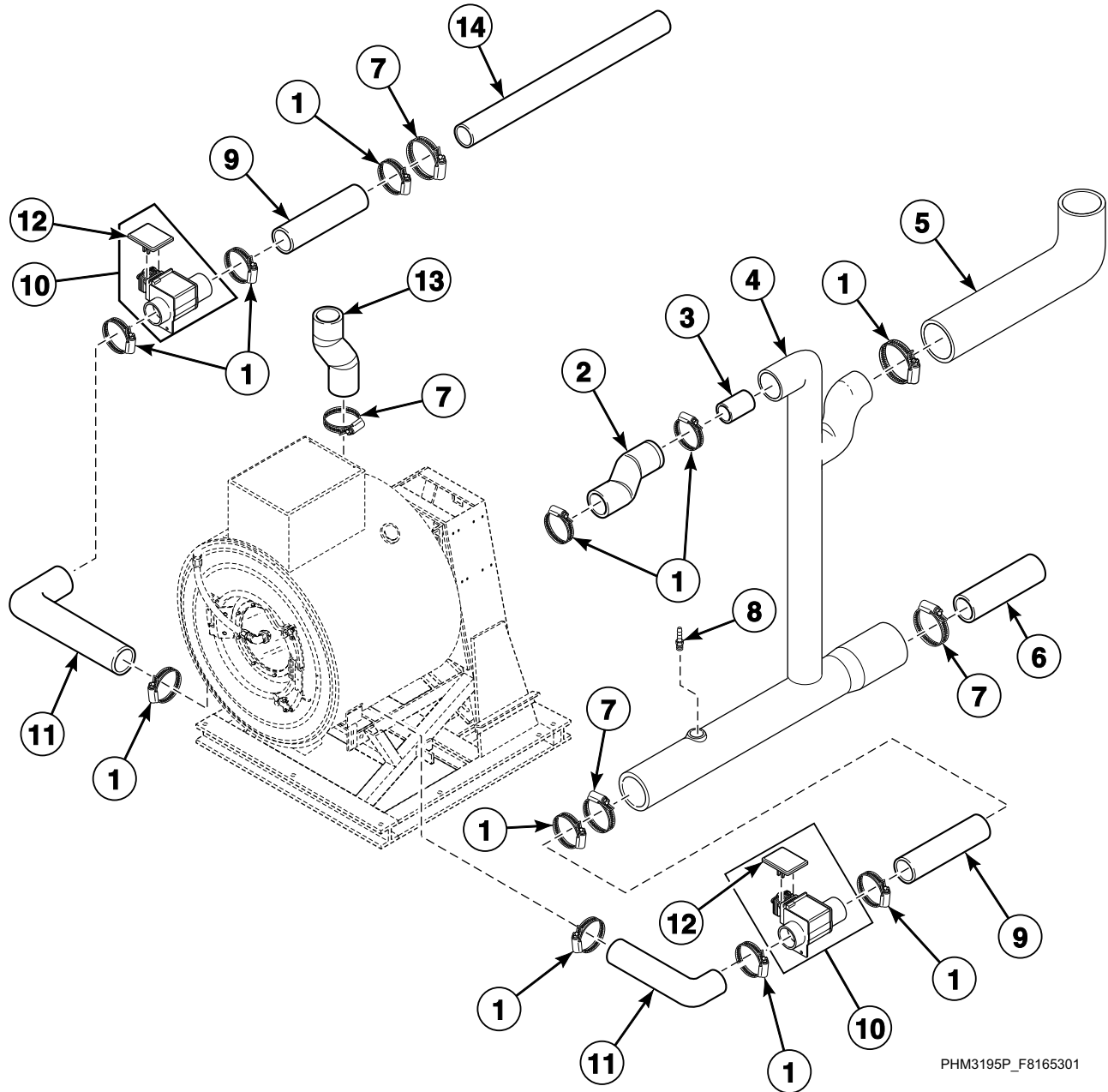
PHM2916P_F8165301

Drain Valve and Plumbing - Models Through 10/3/10

REF	PART NO.	DESCRIPTION	COMMENTS
1	F200220	Hose Clamp	No. 64
2	F0150488-00	Overflow Hose	
3	F0602365-15	Pipe	
4	F422901	Elbow	
5	F0602365-07	Pipe	
6	F422917	Elbow	
7	F0602365-11	Pipe	
8	F422802	Tee	
9	F0602365-14	Pipe	
10	F200165100	Drain Hose	
11	F200201	Hose Clamp	No. 56
12	F0602365-10	Pipe	
13	F421929	Hose Barb	
14	F0602365-20	Pipe	
15	F200166402	Drain Valve Kit	Includes item 17
	F8028301P	Drain Valve Harness	Standard
	F8257002	Drain Valve Harness	Steam heat
	F8257101	Dual Drain Harness	
16	F0150399-02	Drain Hose	
17	F200133600	Drain Valve Cover	
18	F150400	Drain Hose	
19	F0150399-01	Drain Hose	
20	F0602365-06	Pipe	

Drain Valve and Plumbing - Models Starting 10/4/10

UWL, UWN and UWU Models

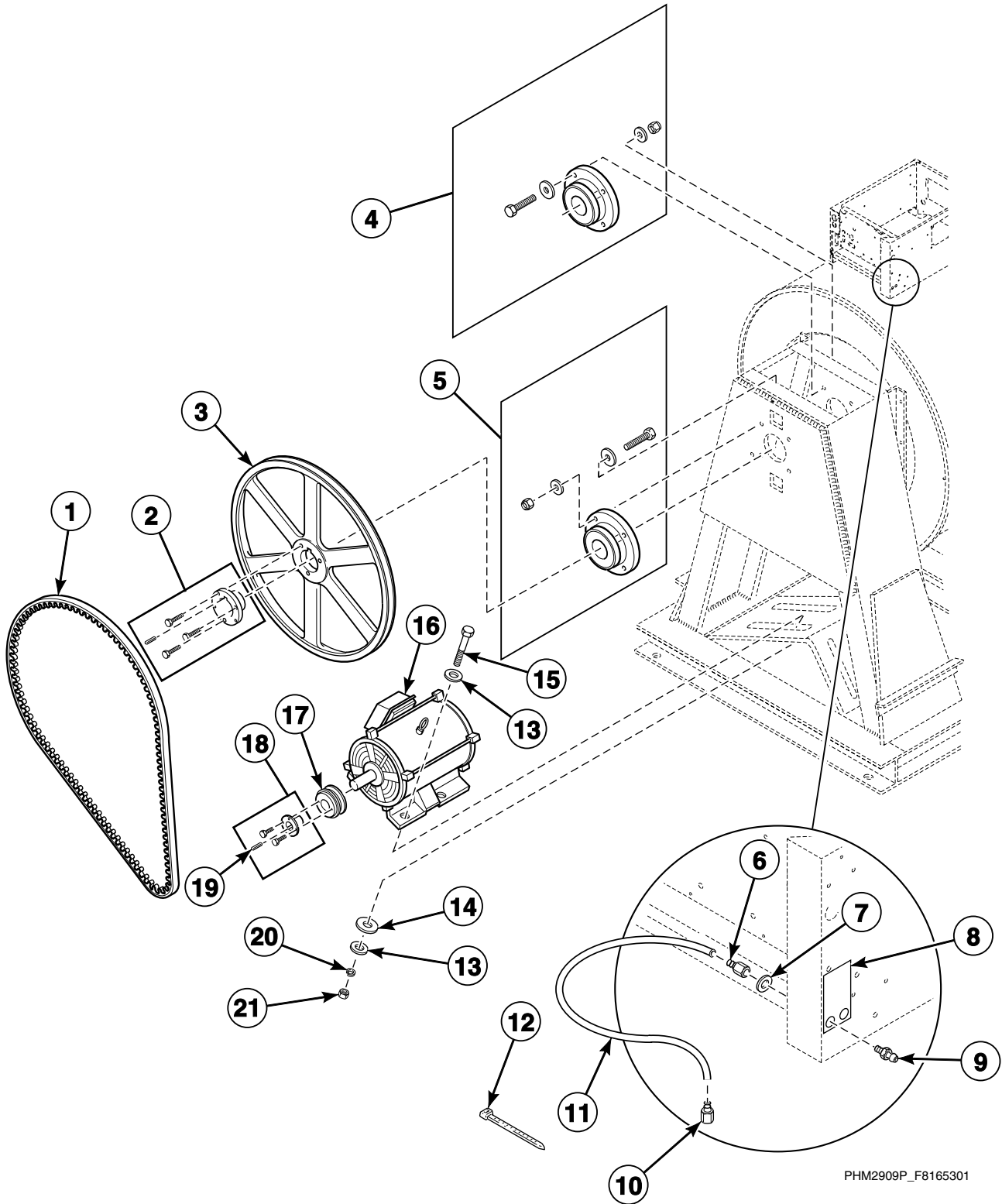


PHM3195P_F8165301

Drain Valve and Plumbing - Models Starting 10/4/10

REF	PART NO.	DESCRIPTION	COMMENTS
1	F200220	Hose Clamp	No. 64
2	F8386201	Overflow Hose	
3	F0602365-15	Pipe	
4	F8386801	Molded Drain	
5	F8387301	Drain Elbow Hose	
6	F200165100	Drain Hose	
7	F200201	Hose Clamp	No. 56
8	F421929	Hose Barb	
9	F0150399-01	Drain Hose	
10	F200166402	Drain Valve Kit	Includes item 11
	F8028301P	Drain Valve Harness	Standard
	F8257002	Drain Valve Harness	Steam heat
	F8257101	Dual Drain Harness	
11	F0150399-02	Drain Hose	
12	F200133600	Drain Valve Cover	
13	F150400	Drain Hose	
14	F0602365-06	Pipe	

Motor, Pulley and Bearings



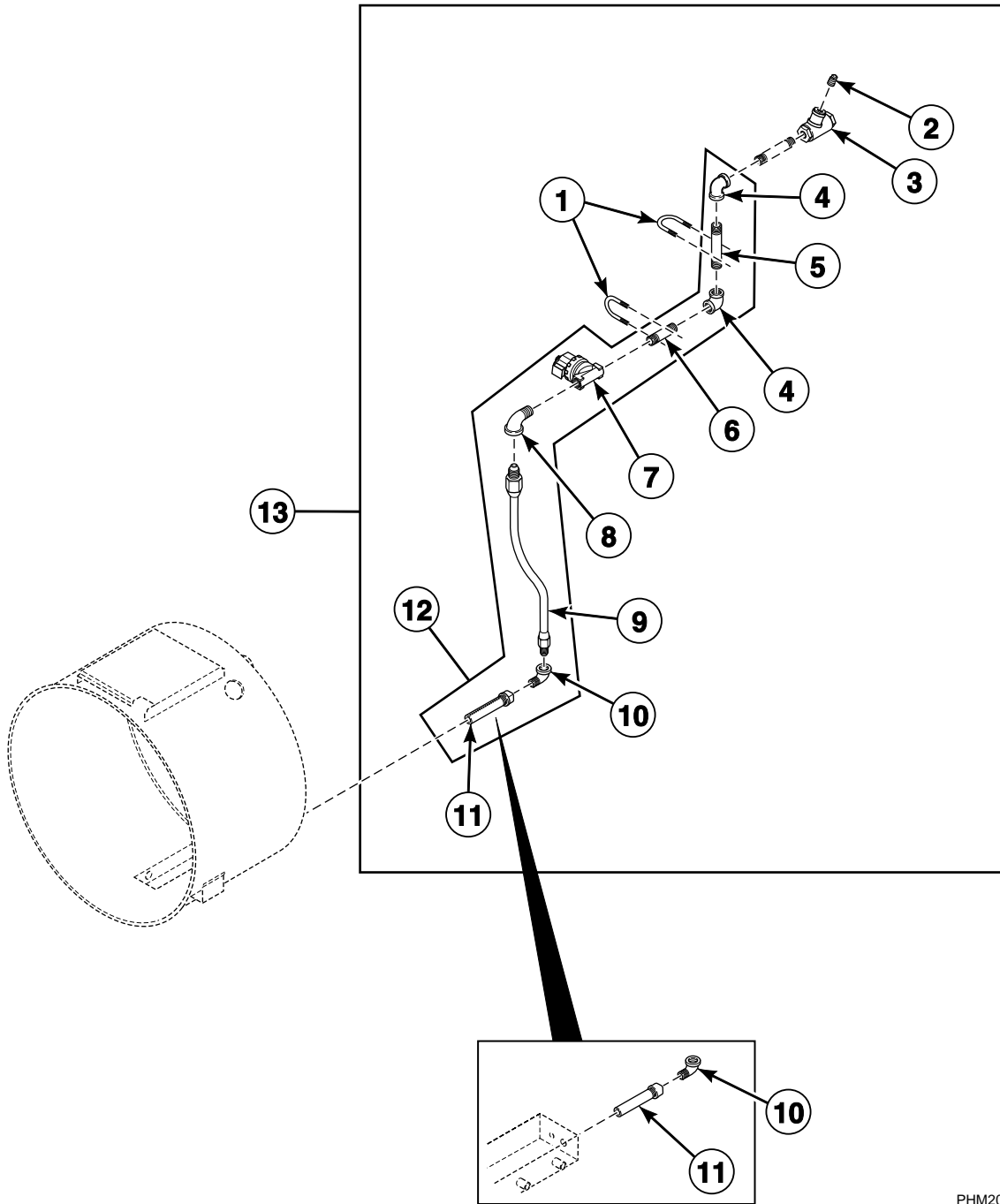
PHM2909P_F8165301

Motor, Pulley and Bearings

REF	PART NO.	DESCRIPTION	COMMENTS
	F8436801P	Shaft Lift Tool Kit	Used to reset bearings
1	F8061401	Belt	BX110; 2 required
2	F280294P	Basket Pulley Bushing	Includes screws and key; 2-7/16 inch
3	F280412	Pulley	2B305F
4	F798835-00	Front Bearing Kit	Includes F100205 Slinger, F431112 Washer, F430935 Screw, F431210 Pop Rivet, F704853 Key, F431005 Nut, F430329 Washer, F430317 Washer, F430203 Nut, F430141 Screw, F100152 Bearing, F410102 Clear Sealant, F170120RP Shell Band Gasket and F010030901P Face Seal
5	F745004	Rear Bearing Kit	Includes F100152 Bearing, F430141 Screw, F430203 Nut, F430329 Washer and F704854 Key
6	F422114	Air Coupling	
7	F431134	Washer	
8	F231563	Grease Instruction Decal	Lubrication
9	F190701	Grease Fitting	
	F745401	Manual Bearing Greasing Retrofit Kit	Includes items 10 and 11, F630433 Grease Manifold Bracket, F230745 Lubrication Instruction Decal, F320326 Grease Manifold, F430211 Nut, F430322 Washer, F430923 Screw, F430925 Screw and F431024 Nut
10	J1408004	Connector	
11	C000628P	Tubing	
12	F140605	Cable Tie	6 inch
13	M400081	Washer	
14	F430300	Washer	
15	F430993	Screw	
16	N/A	Motor	Order F8356405 Motor Conversion Kit
	F8356407	Motor Conversion Kit	AC drive parameters must be compatible with the motor and motor pulley. Please request the AC drive parameter illustration for parameter verification when ordering a motor.
	F8334801	Motor	Models that have been retrofitted with F8356407 Motor Conversion Kit
	F8049202	Motor Harness	
17	F8061201P	Sheave Pulley	
18	F280242	Motor Bushing	Includes screws and item 19; H - 1-3/8
19	F8487101	Key	
20	M400014	Washer	
21	F430205	Nut	

N/A = Part no longer available

Steam Heat Option - Models Through 10/3/10

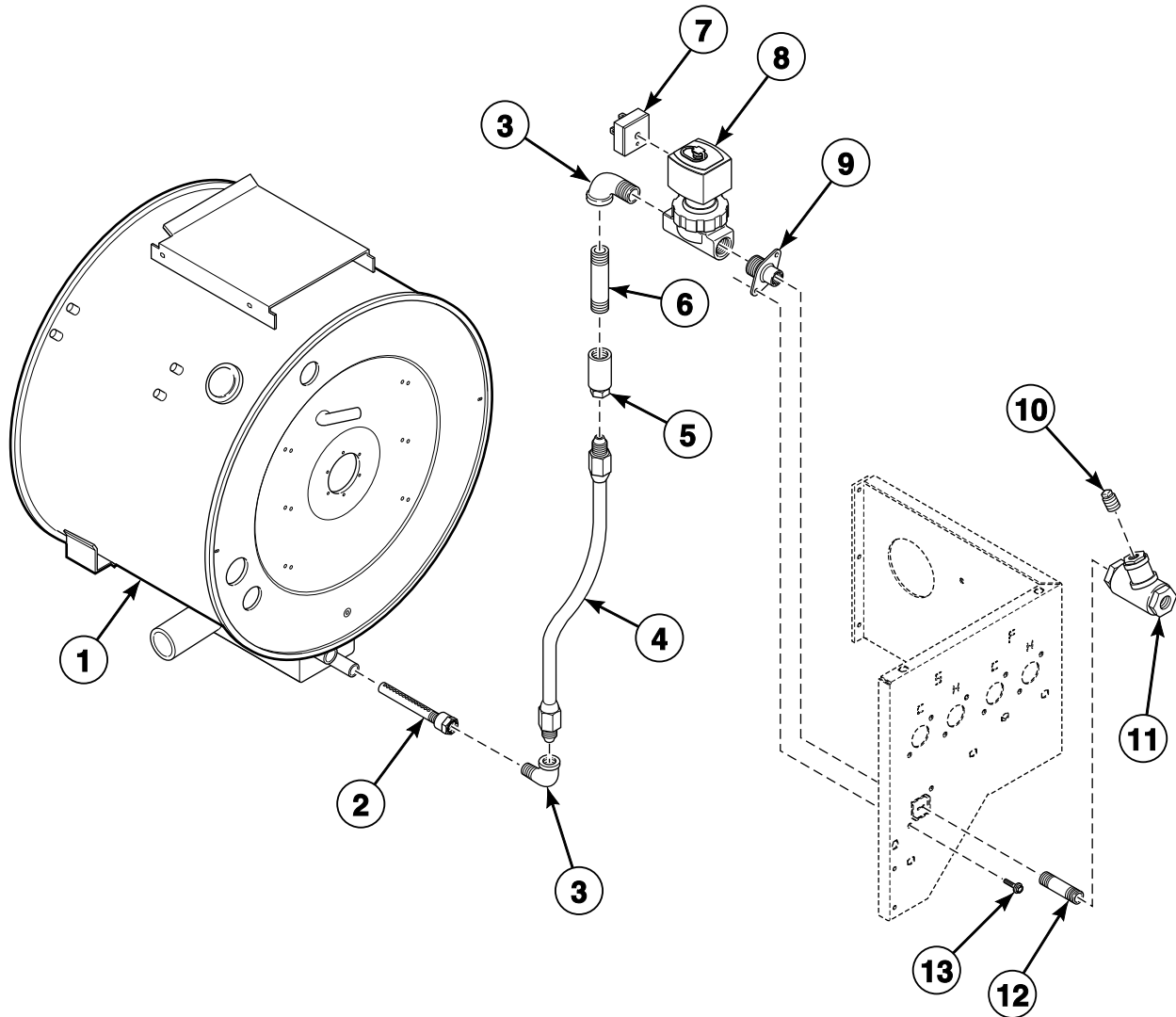


PHM2011K_F8165301

Steam Heat Option - Models Through 10/3/10

REF	PART NO.	DESCRIPTION	COMMENTS
1	F200401P	U-Bolt Clamp	
2	F420408	Plug	
3	F270308	Steam Filter	
4	F421107	Elbow	
5	H85101673	Nipple	
6	M411418	Pipe Nipple	
7	F8522001	DIN Valve Kit	3/4 inch; 220 Volt; F380984P Steam Valve Repair Kit
8	M411264	Street Elbow	
9	F150494	Steam Hose	
10	F421707	Street Elbow	
11	F603132	Steam Injector Tube Assembly	
12	F635754P	Steam Kit	Includes items 4-11
13	F948P3	Steam Heat Kit	Includes items 1-11 and F8028302P Drain Valve Harness (steam heat)

Steam Heat Option - Models Starting 10/4/10

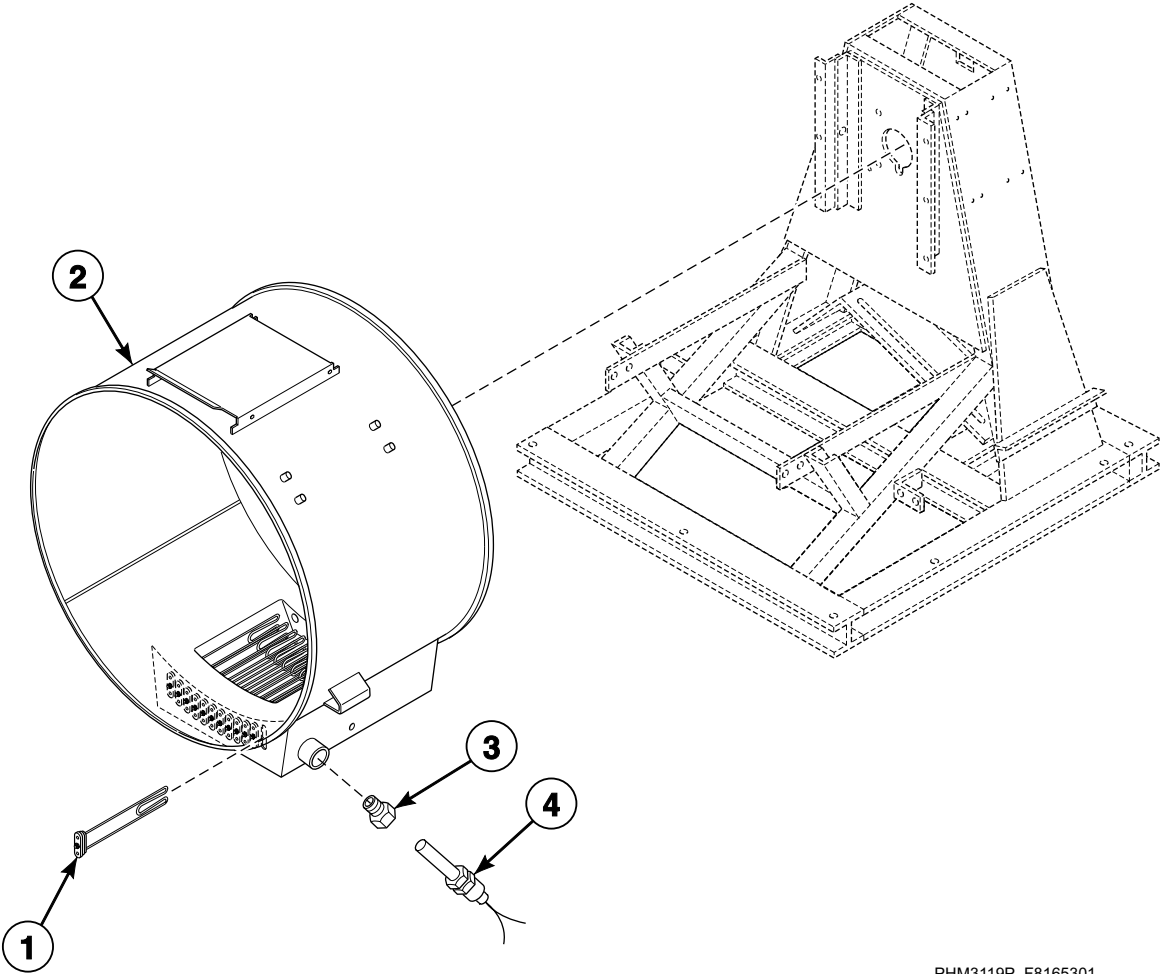


PHM3148_F8165301

Steam Heat Option - Models Starting 10/4/10

REF	PART NO.	DESCRIPTION	COMMENTS
	F8514601P	Coil	220 Volt; Use with F8322901P Valve
	F8382301	DIN Valve Adapter Kit	Use with F8322901P Valve
	F8379501P	Valve Kit	Use with F8322901P Valve
	F945P3	Steam Heat Kit	Includes items 2-11, 13 and F8257002 Drain Valve Harness, insulation and labels
1	F8366001	Shell Weldment	
2	F603132	Steam Injector Tube Assembly	
3	F421707	Street Elbow	
4	F150494	Steam Hose	
5	F8155201	Coupling	Models starting 1/4/11
6	F421323	Nipple	Models starting 1/4/11
7	F8382301	DIN Valve Adapter Kit	
8	F8322901P	Valve	3/4 inch; Brass; 220 Volt; Replaces F380796 Steam Valve; Includes F8514601P Coil; For models that have been upgraded with F8522001 DIN Valve Kit
	F8522001	DIN Valve Kit	220 Volt; Replaces F380796 Steam Valve; Includes F38322901P Valve, F8382301 DIN Valve Adapter Kit and F8514601P Coil
9	F8362702	Coupling	
10	F421507	Plug	
11	F270308	Steam Filter	
12	901403	Pipe Nipple	
13	70321501	Screw	

Electric Heat Option

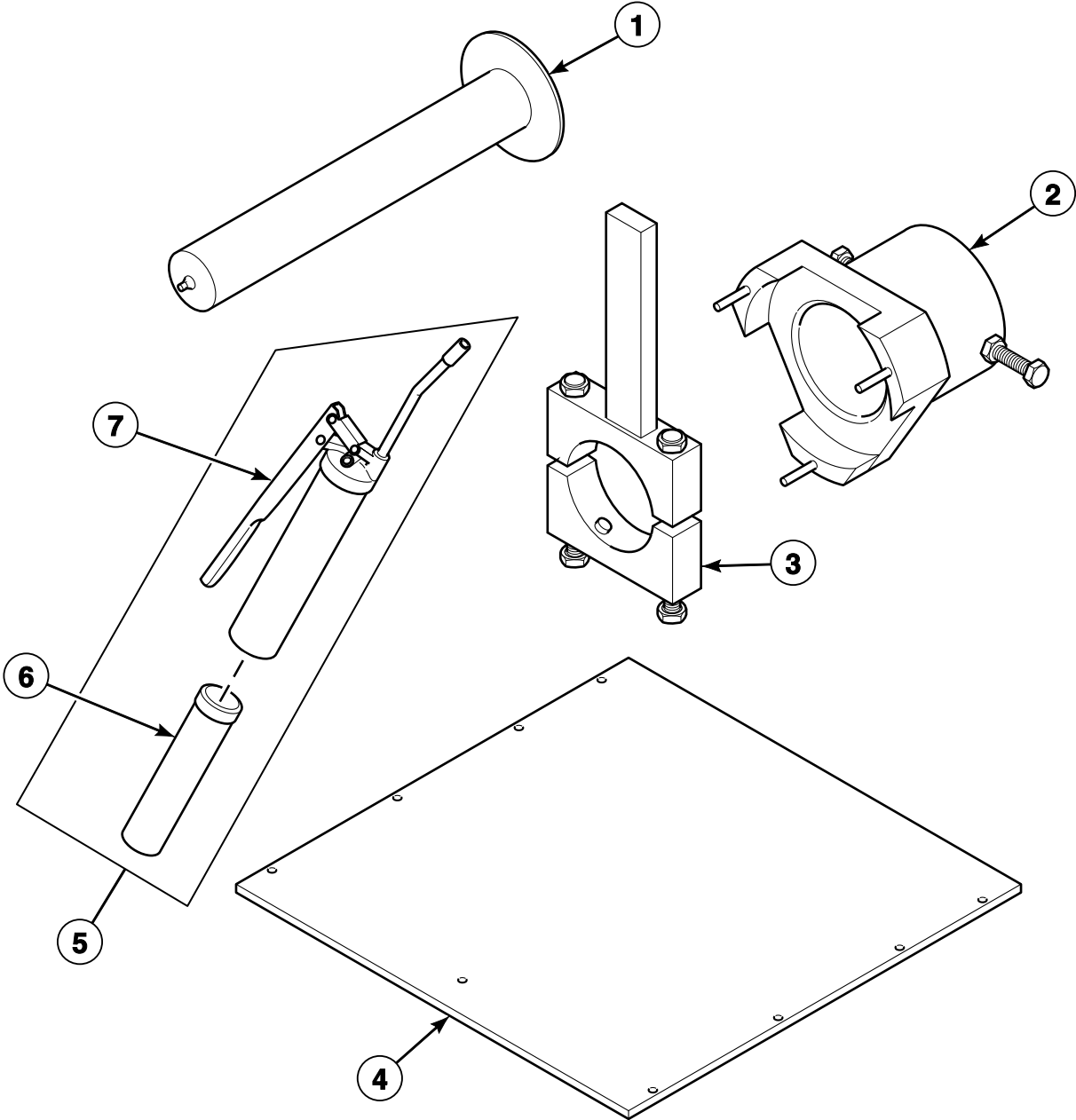


PHM3119P_F8165301

Electric Heat Option

REF	PART NO.	DESCRIPTION	COMMENTS
	F8056703P	Electric Heat Harness	
	F8056001	Jumper Wire	
	F8257001P	Drain Valve Harness	
1	F360203P	Heating Element	12 required
2	F8378202	Shell Weldment	Electric heat
3	F421936	Reducer Bushing	
4	F370609	Thermistor Sensor	

Special Tools



PHM2988P_F8165301

Special Tools

REF	PART NO.	DESCRIPTION	COMMENTS
	F730055-2	Mounting Bolt Kit	Includes F601886 Bolts, F430307 Washers, F430308 Washers and F430207 Nuts
	F923P3	Wet-Clean Kit	Model UW125TV
	925P3	Wet-Clean Kit	All other models
	F924P3	Reuse Kit	
	203346	USB IR Interface Kit	
	F8133301	UniLinc PC and PDA Software CD	UniLinc models
	F8133701	UniLinc PC and PDA Software CD	UniLinc models; Programmer's version
	1113P	Concrete Hardware Kit	
1	F633431	Alignment Shaft Assembly	
2	F200293500	Seal Alignment Tool Assembly	
	F0100315-00	Shaft Seal Alignment Fixture	
3	N/A	Bearing Removal Tool	
4	F601862P	Rebar Frame Template	
5	F798700	Grease Gun Kit	Includes items 5 and 6
6	F210206P	Bearing Grease	
7	F210207P	Grease Gun	

N/A = Part no longer available

Parts Index

A

AC Drive	
F8169670	15
F8169671	15
Adapter	
F8265701	45, 49
F8285801	47
Air Coupling	
F422114	57
Air Trap Hose	
F020014200	11
Alignment Shaft Assembly	
F633431	65
Auxiliary Control Assembly	
F8189401P	11

B

Back Water Panel	
F8374901	25
Balance Switch Bracket	
F8124301	19
Basket Assembly	
F603686	35
Basket Pulley Bushing	
F280294P	57
Bearing Grease	
F210206P	65
Belt	
F8061401	57
Belt Access Guard Panel	
F8117501	21
Belt Edging Warning Label	
70360901	21
Bushing	
70346501	11

C

Cable Tie	
F140605	57
Cap Plug	
F180486	13
Catch Basin	
F8118401	45
CFG Harness	
F8028112	11
Chemical Supply Cup	
F150385	39
F150386	39
Chemical Supply Hose	
F150487	39
F8281701	39
Circuit Breaker	
F8303001P	17
70256901P	17

Clean Filter Daily Decal	
F200061000	9, 17
Clip	
M400984	13
Clockwise Spin Rotation Decal	
F230652	27
Coil	
F8514601P	45, 61
Cold Fill Plumbing Assembly	
F8109501	49
Cold Spray Plumbing Assembly	
F8116801	45
Cold Water Valve Decal	
F231368	23
Concrete Hardware Kit	
1113P	65
Connector	
F422500	11
J1408004	57
Contact Base	
F8538101	9
Contact Block Switch	
F200233401P	9
Contact Switch	
F8069501	9
Contacting	
F330188P	17
Containment Device	
F0380809-00	45
Control Assembly Kit	
F980P3	11
Control Board Bracket	
F8036101	9
Control Box Contactor Panel	
F8055001	9
Control Box Rear Panel	
F8170501	9
Control Box Top Panel	
F8170601	9
Control Harness Tray	
F8073005	9
F8290305	9
Control Kit	
F982P3	9
F983P3	9
Control Module Decal	
F8427001	9
Conversion Label	
F8099701	23, 25
F8099801	23, 25
Coupling	
F8154501	45
F8154503	49
F8155201	61
F8362702	61
F8362703	47, 51
Cover Decal	
F200318200	21

N/A items do not appear in index.

D

Diaphragm and Guide Kit G582P3	41, 43
DIN Rail F8134101	17
DIN Valve Adapter Kit F8382301	45, 61
DIN Valve Kit F8522001	59, 61
Dispenser Assembly F0150512-00P	39
Dispenser Lid F0150514-00	39
Dispenser Shroud Weldment F8024303	39
Dispenser Valve Harness F8091601P	41
F8347302	43
Do Not Tamper Label F8345901	15
Door Assembly F8145301	27
F8145302	27, 31
F8374701	31
Door Bumper Bushing F430416	27, 31
Door Bumper Moulding F150366	27, 31
Door Butt F150233	27
Door Butt Shim F601948	27, 31
Door Gasket F8434801	27, 31
Door Glass Gasket F170115	27, 31
Door Glass Kit F290204P	27
Door Glass Retainer F601239	27, 31
Door Handle Casting F150203	33
Door Hinge F150228	27
Door Hinge Pin F432307	27, 31
Door Hinge Strap Kit F200030600P	31
Door Latch Bracket Shim F602058	33
Door Lock Assembly F8127704	33
Door Lock Cover F8134201	33
Door Lock Dielectric Shield F8135301	33
Door Lock Harness F8029101	33
Door Lock Mounting Block F8145201	33

Door Lock Solenoid F300129P	33
Door Lock Solenoid Shim F8133601	33
Door Spray Nozzle Assembly F8356301	31
Door Switch F8165201	19, 33
Drain Elbow Hose F8387301	55
Drain Hose F0150399-01	53, 55
F0150399-02	53, 55
F150400	53, 55
F200165100	53, 55
Drain Valve Cover F200133600	53, 55
Drain Valve Harness F8028301P	53, 55
F8257001P	63
F8257002	53, 55
Drain Valve Kit F200166402	53, 55
Drip Rail F150364	37
Drive Box Bottom F8105201	23
Drive Box Bottom Panel F8284001	23
Drive Box Partition F8375901	25
Drive Box Rear Panel F8283802	23
F8376001	25
Drive Bracket F8322402	15
Drive Control Harness F8030101P	11
F8030201P	15
Drive Fan Harness F8113901	17
Drive Mounting Box F8375601	25
Drive Mounting Bracket F8386902	15
Drive Power Harness F8027802	15
Dual Drain Harness F8257101	53, 55

E

Earth Terminal Sticker M412096	17
Elbow F420509	45
F421107	59
F422319	29, 31
F422901	53
F422917	53
F8110001	49
Electric Heat Coils Harness F8054901	15, 17

N/A items do not appear in index.

F8054903	15, 17
Electric Heat Harness	
F8054601	15, 17
F8054602	15, 17
F8054603	15, 17
F8056703P	63
Electric Shock Danger Label	
F8115501	17
Electrical Access Panel	
F8377601	25
Electrical Shock Label	
D502511	9, 21, 23
Emergency Stop Harness	
F8060501	9
Emergency Stop Pushbutton	
F200233500	9
EMI Filter	
F8054001	15
F8054002	15
EMI Filter Power Harness	
F8129001	15
Ethernet Gateway Kit	
NK320	9
Expansion Clip	
70030501	9, 11, 21, 23, 25
Extension Arm Tab	
F601639	33
Extension Arm Weldment	
F8154801	33
External Supply Box	
F8055301	9
External Supply Box Cover	
F635365	9
External Supply Connection Decal	
F8059801	9
F8150201	9
External Supply Harness	
F8029501P	13
F8191201P	13
External Supply Label	
F8161701	9
Extrusion Insert	
F150397	21

F

Face Seal	
F010031001	37
F8162001	37
Female Pin Terminal	
00117	13
Fill Plumbing Assembly	
F8288303	51
Fill Plumbing Connection Assembly	
F8117102	49
Fill Port	
F8351601	47
Fill Valve Harness	
F8073702P	49
F8347102	51
F8347104	47
Fill/Spray Valve Harness	
F8073701P	45, 49

Fill/Supply Harness	
F8158901P	49
F8347501	47, 51
Filter	
F200318900P	11, 17
Filter Retainer Guard	
F220900	11, 17
Frame Weldment	
F8086601	37
Front Bearing Kit	
F798835-00	57
Front Box Panel	
F8106801	23
Front Bulkhead Panel	
F8289801	23
F8374801	25
Front Panel	
F8096301	21
Fuse	
802492	11
802493	11

G

Gate Valve	
F380500	49
Glass	
F290210P	27, 31
Grease Fitting	
F190701	57
Grease Gun	
F210207P	65
Grease Gun Kit	
F798700	65
Grease Instruction Decal	
F231563	57
Ground Decal	
F230630	15
F230739	15
Ground Lug Connector	
M411283	17

H

Handle Spacer	
F609822	33
Harness	
F8030001	17
F8030002P	17
Harness Tray Cover	
F8073105	9
F8290805	9
Heating Element	
F360203P	63
High Hole Glass	
F8350901	31
Hole Plug	
F8223801	17
Hose	
C002657	49
F200104P	45
F8137502	49

N/A items do not appear in index.

F8137504.....	45
F8232007.....	51
F8394001.....	47
F8394002.....	47
Hose Adapter	
F421908.....	45, 49
F421909.....	45, 49
F421968.....	47
Hose Barb	
F421929.....	37, 53, 55
F421952.....	45, 49
F421964.....	47, 49
F8110701.....	45, 47, 51
Hose Clamp	
F200201.....	53, 55
F200213.....	39
F200220.....	53, 55
F200222.....	11, 45, 47, 49
36801.....	37, 41, 43, 47, 51
Hose Connector	
F200302.....	41
Hot Fill Plumbing Assembly	
F8109701.....	49
Hot Spray Plumbing Assembly	
F8074701.....	45
Hot Surface Warning Decal	
F200085000.....	27, 31
Hot Surface Warning Label	
F8614301.....	23
Hot Water and Chemical Caution Decal	
F200085300.....	39
Hot Water Valve Decal	
F231367.....	23

I

Injection Nozzle	
F8322001.....	39
Injection Nozzle Kit	
F730168.....	39
Insulator	
M413862.....	15
Interlock Switch Harness	
F8030501P.....	11
F8158801P.....	33
Interlock Switch Spacer	
F601055.....	33

J

Jumper Configuration Assembly	
M413507.....	11
Jumper Harness Assembly	
M413506.....	11
Jumper Wire	
F8056001.....	63

K

Key	
F8487101.....	57

N/A items do not appear in index.

L

Left Side Cover	
F8105102.....	23
F8283902.....	23
F8365002.....	25
Left Side Panel	
F8106902P.....	21
Lock Bracket	
F8127401.....	33
Logic Supply Power Harness	
F8060001.....	15, 17
Lower Belt Guard Assembly	
F8244601.....	21
Lower Door Latch Bracket Casting	
F150202.....	33
Lower Door Latch Casting	
F150204.....	33

M

Magnet	
F8390801.....	33
Main Power Harness	
F8060301.....	15, 17
Male Tab Terminal	
00177.....	11, 17
Manifold	
F8333201.....	51
Manual Bearing Greasing Retrofit Kit	
F745401.....	57
Molded Drain	
F8386801.....	55
Motor	
F8334801.....	57
Motor Bushing	
F280242.....	57
Motor Conversion Kit	
F8356407.....	57
Motor Harness	
F8049202.....	57
Mount on Concrete Warning Label	
F8246401.....	21
Mounting Bolt Kit	
F730055-2.....	65
Moving Parts Plug Warning Decal	
F200085500.....	37
Muffin Fan	
F110110.....	11, 17

N

Network Board Assembly	
203028.....	9, 11
Network Board Bracket	
F8079401.....	11
Network Controller Kit	
NK220.....	9
Network Retrofit Kit	
NK205.....	9

Network Wire Harness Assembly	
44088501P	11
Nipple	
C000417	47
F420103	45
F420105	45
F421323	61
F8079601	49
F8110601	45
F8110901	49
H85101673	59
No-Swivel Coupling	
F422109	29, 31
Nut	
F430205	37, 57
F430211	21
F430215	35
F430218	19
F430231	11, 17, 33
F430232	11
F430264	21, 25, 33
F431005	27, 31
F431022	29, 31, 35
F431042	39
F431043	33
F8322601	31
F8549401	27, 31, 33
44087301	19
685846	9
70030401	21, 23
70142	37
802292	39
802337	33

O

O-Ring	
F0170221-00	45
F170201	29, 31
F170208	39
F170215	39
Output Assembly	
F8108501P	11
Output Auxiliary Power Harness	
F8028401	11
Output/Logic Harness	
F8028701	15, 17
Overflow Hose	
F0150488-00	53
F8386201	55
Overlay	
F8297101	9

P

Panel Locator	
56079	21
Partition	
F8120201	23
PC Board Standoff	
210098	9
Pipe	
F0602365-06	53, 55
F0602365-07	53

F0602365-10	53
F0602365-11	53
F0602365-14	53
F0602365-15	53, 55
F0602365-20	53
Pipe Nipple	
M411418	59
901403	61
Plug	
F0200237-00	37
F140527	13
F420408	59
F421507	61
F8144101	17
F8223901	13, 17
M400985	13
Plug Cap	
F190304	39
Pop Rivet	
F431210	9, 11, 27, 31, 33
F431215	37
70058501	17, 23
Power Distribution Block Cover	
44014901P	15
Power Harness	
F8060401P	11
F8367801	11
Pulley	
F280412	57
Push Decal	
F230303	27, 31
Push Handle Kit	
F746202-1	27, 31

R

Rear Bearing Kit	
F745004	57
Rear Center Panel	
F8346503	25
Rear Drive Box Panel	
F8118702	23
Rear Water Box Panel	
F8118701	23
Rebar Frame Template	
F601862P	65
Reducer Bushing	
F421936	63
F8100301	45
Reed Switch Assembly	
F8066801P	33
Retaining Ring	
F310215	27
Reuse Kit	
F924P3	65
Right Side Cover	
F8105101	23
F8283901	23
F8365001	25
Right Side Panel	
F8106901	21
Ring Retainer	
F310206	29, 31

N/A items do not appear in index.

Rivet	
M412763	21
Rocker Switch	
F8367701	9
Rotation Sensor	
F8066201	19
Rotation Sensor Bracket	
F8103102	19
Rotation Sensor Harness	
F8066401	19
Rub Rail	
F150410	21

S

Screw	
F430103	27, 31
F430168	33
F430174	9
F430502	27, 31
F430518	35
F430903	9, 11, 17
F430909	33
F430910	11
F430913	37
F430916	33
F430917	29, 31, 33, 35, 39
F430921	21
F430927	19, 33
F430938	45
F430948	11, 41, 43
F430956	21, 33
F430993	57
F430995	33
F8117601	9, 11, 21, 23
F8136601	13
F8151201	17
F8206901	11, 21, 23, 25
M411072	15, 17, 21
M412105	17
20253	21, 23, 47
39733	15
430497	9
51780	13, 17
51783	17
70182601	21
70240301	21
70321501	61
70391101	35
70442301	47
800461	19, 37
Scupper	
F150389	37
Seal Alignment Tool Assembly	
F200293500	65
Seal Kit	
F798833-00	37
F798834-00	37
Shaft Lift Tool Kit	
F8436801P	57
Shaft Seal Alignment Fixture	
F0100315-00	65
Sheave Pulley	
F8061201P	57

Shell Adjusting Bracket Assembly	
F603592	37
F603615	37
Shell Band Assembly	
F603630	35
Shell Band Fastener Kit	
F791001	35
Shell Band Gasket	
F170120RP	35
F8302003	35
Shell Bracket Support	
F601951	37
Shell Front Assembly	
F200120000	27, 31
F8157601	35
Shell Front Kit	
F8011301P	27, 31
Shell Front Weldment	
F8136001P	35
Shell Gasket Shield	
F601216	35
Shell Reinforcement Plate Assembly	
F8084301	37
Shell Weldment	
F8092201	37
F8092202	37
F8273601	37
F8366001	61
F8378201	37
F8378202	37, 63
Side Electrical Box Panel	
F8375801	25
Side Panel Cover	
F8098501	21
Side Water Box Panel	
F8375701	25
Slinger	
F100205	37
Snap Bushing	
F140938	11
M402542	13, 17
M405340	11
Solenoid Mount Bracket	
F8127501	33
Spin Warning Decal	
F200085100	39
Spray Nozzle Gasket	
F8322701	31
Spray Pipe Assembly	
F8126202	29, 31
Spray Rinse Bracket Assembly	
F602901P	29, 31, 35
Spray Rinse Hose Assembly	
F8379901	31
Spray Rinse Hose Kit	
F730023	29
Spray Rinse Nozzle Kit	
F730077	29
Spray Rinse Strap	
F602880	29, 31, 35
Steam Filter	
F270308	59, 61
Steam Heat Kit	
F945P3	61

N/A items do not appear in index.

F948P3	59
Steam Hose	
F150494	59, 61
Steam Injector Tube Assembly	
F603132	59, 61
Steam Kit	
F635754P	59
Steam-Electric Switch Label	
F8368301	9
Step Down Power Harness	
F8405101	17
Strain Relief Adapter Kit	
F749802	39
Strain Relief Connector	
F140340P	39
Strainer	
F270200	41
F8126601	45, 47, 49
Street Elbow	
F421707	59, 61
F8118101	45, 49
M411264	59
Studded Door Assembly	
F634678	27, 31
Supply Controls Bracket	
F8103001	9
Supply Dispenser Spacer	
F0150525-00	39
Supply/Fill Module Harness	
F8073601P	45, 49
Support Bracket	
F8302601	23
F8302602	23
Swivel Coupling	
F422108	29, 31

T

Tee	
F422802	53
F8118501	49
F8137401	37
F8246601	11
Terminal Block	
M413865	15
430642	15
Terminal Block Shield	
70333001	15
Thermistor Sensor	
F370609	63
Top Center Panel	
F8106601	23
F8376301	25
Top Latch Bracket Casting	
F150201P	33
Top Support Brace	
F8106701	23
Transformer	
F360157P	17
201616P	11
Transformer Kit	
803527P	11

Trim	
F170400RP	37, 39
F170404	23
F8152701	9
F8152703	17
Tubing	
C000628P	57
F8153901	11
F8339601	11

U

U-Bolt Clamp	
F200401P	45, 49, 59
UniLinc PC and PDA Software CD	
F8133301	65
F8133701	65
Upper Belt Guard Assembly	
F8244501	21
USB Gateway Kit	
NK330	9
USB IR Interface Kit	
203346	65
Use Copper Conductors Only Caution Label	
F8242201	17

V

Vacuum Breaker Cap	
F0380808-00	45
Vacuum Breaker Valve	
F380800P	45
Valve	
F381733P	49
F8322803P	45
F8322901P	61
F8322905P	47, 51
Valve Kit	
F8379501P	61
Valve Mounting Bracket	
F8331901	43
Valve Transition Kit	
F8456201P	45
F8456202P	47, 51
Valve, 4-Way	
F381723P	41
F8336601	43

W

Warning Label	
F8233501	9, 23, 45, 49
44324001	11, 21, 23, 25, 37
Washer	
F430300	57
F430317	35
F431100	21, 27, 31, 33
F431106	27
F431108	33
F431112	37
F431113	35
F431116	37

N/A items do not appear in index.

F431118	33
F431133	39
F431134	57
F431147	39
F601950	37
M400013	37
M400014	19, 37, 57
M400081	19, 37, 57
M405535	21
20290	45, 47, 49
Water Box Bottom	
F8105301	23
Water Box Bottom Panel	
F8283701	23
Water Box Rear Panel	
F8283801	23
Water Hose	
F200107P	37
F200110P	41, 43
F200164	45, 49
F200165	47, 49
F200166	45, 49
F200185	47
F200193	47
Water Line Caution Decal	
F230734	23
Water Pressure Switch	
F8223001P	11
Water Valve Assembly Decal	
F230754	41
Water Valve Repair Kit	
F0381007P	49
Wet-Clean Kit	
F923P3	65
925P3	65
Wire Label	
70218701	15
Wireless Network Kit	
NK301	9

Y

Y Connector	
F422816	41, 43
