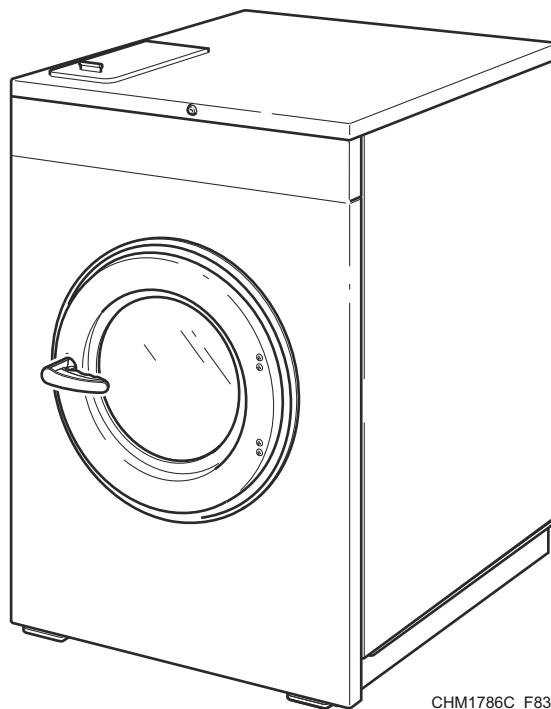


# Washer-Extractor

Cabinet Hardmount  
Design 2 and 3

Refer to Page 3 for Model Numbers



CHM1786C\_F8339301





# Table of Contents

Title	Page
Parts Ordering Information.....	2
Serial Plate Location .....	2
Model Identification .....	3
Product Overview - M9, M30, Galaxy 400, Galaxy 600, Quantum Silver and Quantum Gold .....	4
Product Overview - M4, Galaxy 200 and Quantum Standard .....	6
Decals .....	8
Control Module (Drawing 1 of 2) .....	10
Control Module (Drawing 2 of 2) .....	12
Rocker Switch and Temperature Knob .....	14
Front Panel and Control Panel.....	16
Control Panel Overlays .....	18
Panels .....	20
Door - 20 Pound HC Models.....	22
Door - 20 Pound IC, SC and UC Models .....	24
Door - 30 Pound HC Models.....	26
Door - 30 Pound IC, SC and UC Models .....	28
Door - 40 and 60 Pound HC Models.....	30
Door - 40 and 60 Pound IC, SC and UC Models .....	32
Door Lock.....	34
Shell Front and Basket.....	36
Bearing Housing - 20 and 30 Pound Models .....	38
Bearing Housing - 40 and 60 Pound Models .....	40
Shell and Frame.....	42
Drain Plumbing .....	44
Drain Valve Assembly - 20 and 30 Pound Models.....	46
Drain Valve Assembly - 40 and 60 Pound Models.....	48
Steam Filter (Optional) and Water Supply Hose.....	50
Fill Plumbing Assembly.....	52
Double Check Valve .....	54
Motor, Pulley and Belt (Drawing 1 of 3) .....	56
Motor, Pulley and Belt (Drawing 2 of 3) .....	58
Motor, Pulley and Belt (Drawing 3 of 3) .....	60
Electric Heat Option .....	62
Steam Heat Option .....	64
Parts Index.....	67

© Copyright 2024, Alliance Laundry Systems LLC

All rights reserved. No part of the contents of this book may be reproduced or transmitted in any form or by any means without the expressed written consent of the publisher.

# Parts Ordering Information

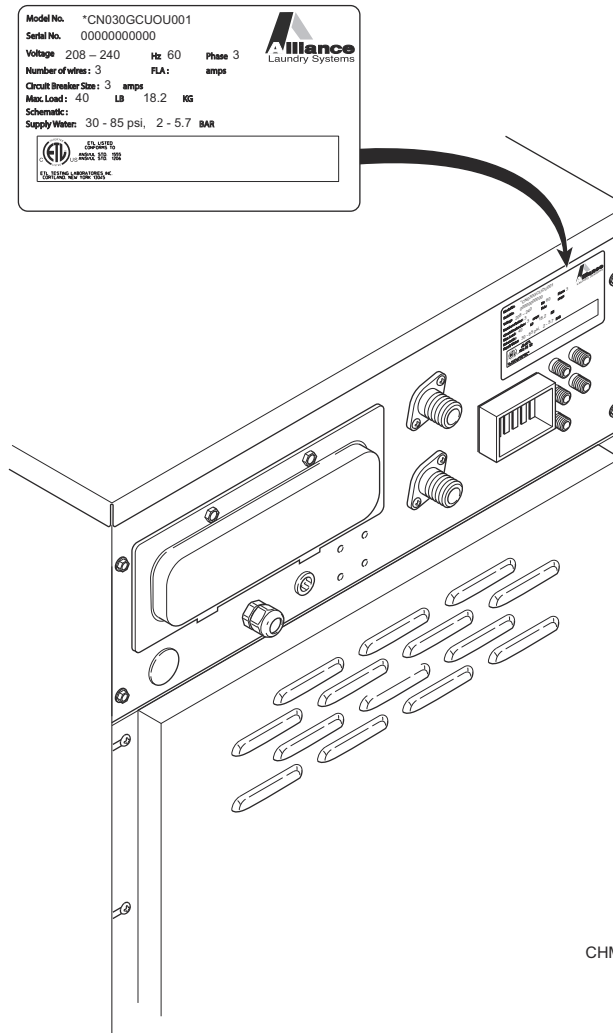
If literature or replacement parts are required, contact the source from whom the machine was purchased or contact Alliance Laundry Systems at (920) 748-3121 for the name and address of the nearest authorized parts distributor.

For technical assistance, call the number listed below:

(920) 748-3121 Ripon, Wisconsin

# Serial Plate Location

When calling or writing about your product, be sure to mention model and serial numbers. Model and serial numbers are located on serial plate(s) as shown.



CHM3025P\_F8339301

## Model Identification

Information in this manual is applicable to these washer-extractor models:

HCB040GNF	SCB040GNF	UCH020GNF
HCH020GNF	SCH030GNF	UCH020GNV
HCH030GNF	SCH030GNV	UCH030GNF
HCH040GNF	SCH040GNF	UCH030GNV
HCH060GNF	SCH040GNV	UCH040GNF
HCH060GNV	SCH060GNF	UCH040GNV
HCL020GNF	SCH060GNV	UCH060GNF
HCL030GNF	SCL020GNF	UCH060GNV
HCL040GNF	SCL020GNV	UCL020GNF
HCL060GNF	SCL030GNF	UCL030GNF
HCN020GNF	SCL040GNF	UCL040GNF
HCN020GNV	SCL060GNF	UCL060GNF
HCN030GNF	SCN020GNF	UCN020GNF
HCN040GNF	SCN030GNF	UCN030GNF
HCN060GNF	SCN040GNF	UCN040GNF
HCZ020GNF	SCN060GNF	UCN060GNF
HCZ030GNF	SCU020GNF	UCZ020GNF
ICN020GNF	SCU030GNF	UCZ030GNF
ICN030GNF	SCU040GNF	
ICN040GNF	SCU060GNF	
ICN060GNF	SCZ020GNF	
	SCZ020GNV	
	SCZ030GNF	
	SCZ030GNV	

# Product Overview - M9, M30, Galaxy 400, Galaxy 600, Quantum Silver and Quantum Gold

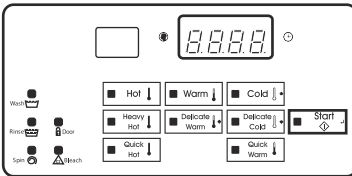
Model No. \*CIN030GC2UOU001  
 Serial No. 0000000000

Voltage 208 – 240 Hz 60 Phase 3  
 Number of wires: 3 FLA: amps  
 Circuit Breaker Size: 3 amps  
 Max. Load: 40 LB 18.2 KG  
 Schematic:  
 Supply Water: 30 - 85 psi, 2 - 5.7 BAR

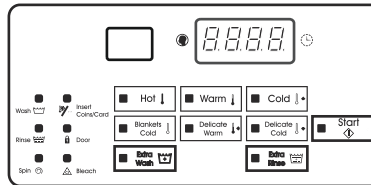
**Alliance**  
 Laundry Systems

ETL LISTED  
 CONFORMS TO  
 ANSUL STD. 1552  
 US ANSUL STD. 1506

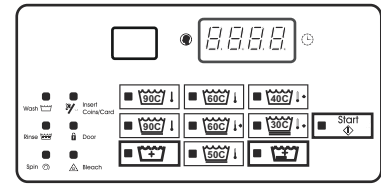
ETL TESTING LABORATORIES, INC.  
 CORTLAND, NEW YORK 13045



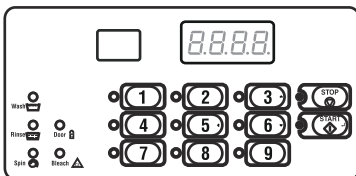
Galaxy 400 Coin



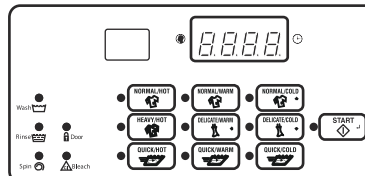
Galaxy 600 Coin (Domestic)



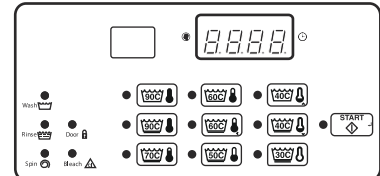
Galaxy 600 Coin (International)



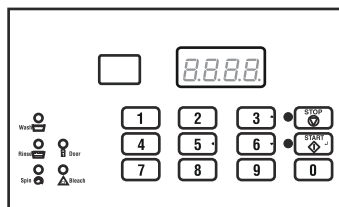
M9/Galaxy 400 OPL/Quantum Silver OPL



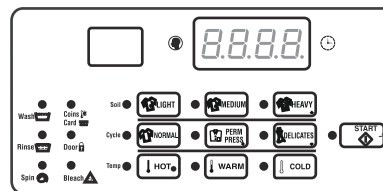
Quantum Silver Coin (Domestic)



Quantum Silver Coin (International)



M30/Quantum Gold OPL



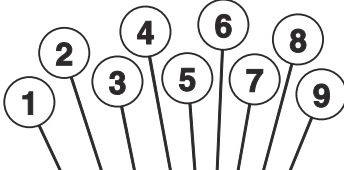
Quantum Gold

CHM3217P\_F8339301

# Product Overview - M9, M30, Galaxy 400, Galaxy 600, Quantum Silver and Quantum Gold

REF	PART NO.	DESCRIPTION	COMMENTS
1	-	Product Family	CC HC IC SC UC YC
2	-	Market	B (Brazil CE) D (Daiwa) H (China-ROHS ETL) L (International ETL9c) N (Domestic ETL(c)) U (International CE/ECA) W (WRAS CE) Y (Australia) Z (No Agency International)
3	-	Capacity (Pounds)	020 030 040 060 080 100
4	-	Control	G H J K L W Z
5	-	Actuation	C (Drop Coin Meter) D (Digital Coin Meter) E (Electronic World Drop) L (Prep for Remote/Central Pay) N (Non-Coin OPL) X (Prep for Coin Meter) Y (Prep for Card Reader)
6	-	Speed	F (F-Speed) V (V-Speed)
7	-	Voltage	B (120/60/1/2) N (440-480/50/60/3) P (380-415/50/60/3) Q (200-208/220-240/50/60/3) X (200-208/220-240/50/60/1/3)
8	-	Side Panel	B (Chrome Door/Stainless Steel Sides) C (Chrome Door) U (Standard) 1 (Stainless Steel)
9	-	Design	2 3

# Product Overview - M4, Galaxy 200 and Quantum Standard



Model No. \*CIN030GC2UOU001

Serial No. 0000000000

Voltage 208 – 240 Hz 60 Phase 3


Number of wires : 3 FLA : amps


Circuit Breaker Size : 3 amps

Max. Load : 40 LB 18.2 KG

Schematic :

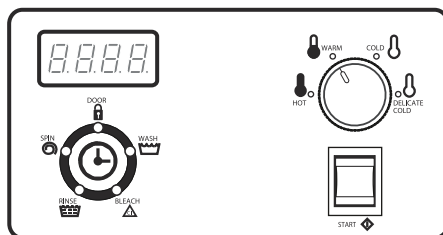
Supply Water: 30 - 85 psi, 2 - 5.7 BAR





ETL LISTED  
CONFORMS TO  
ANSI/UL STD. P555  
US ANS/UL STD. 1200

ETL TESTING LABORATORIES, INC.  
CORTLAND, NEW YORK 13045



M4/Galaxy 200/Quantum Standard

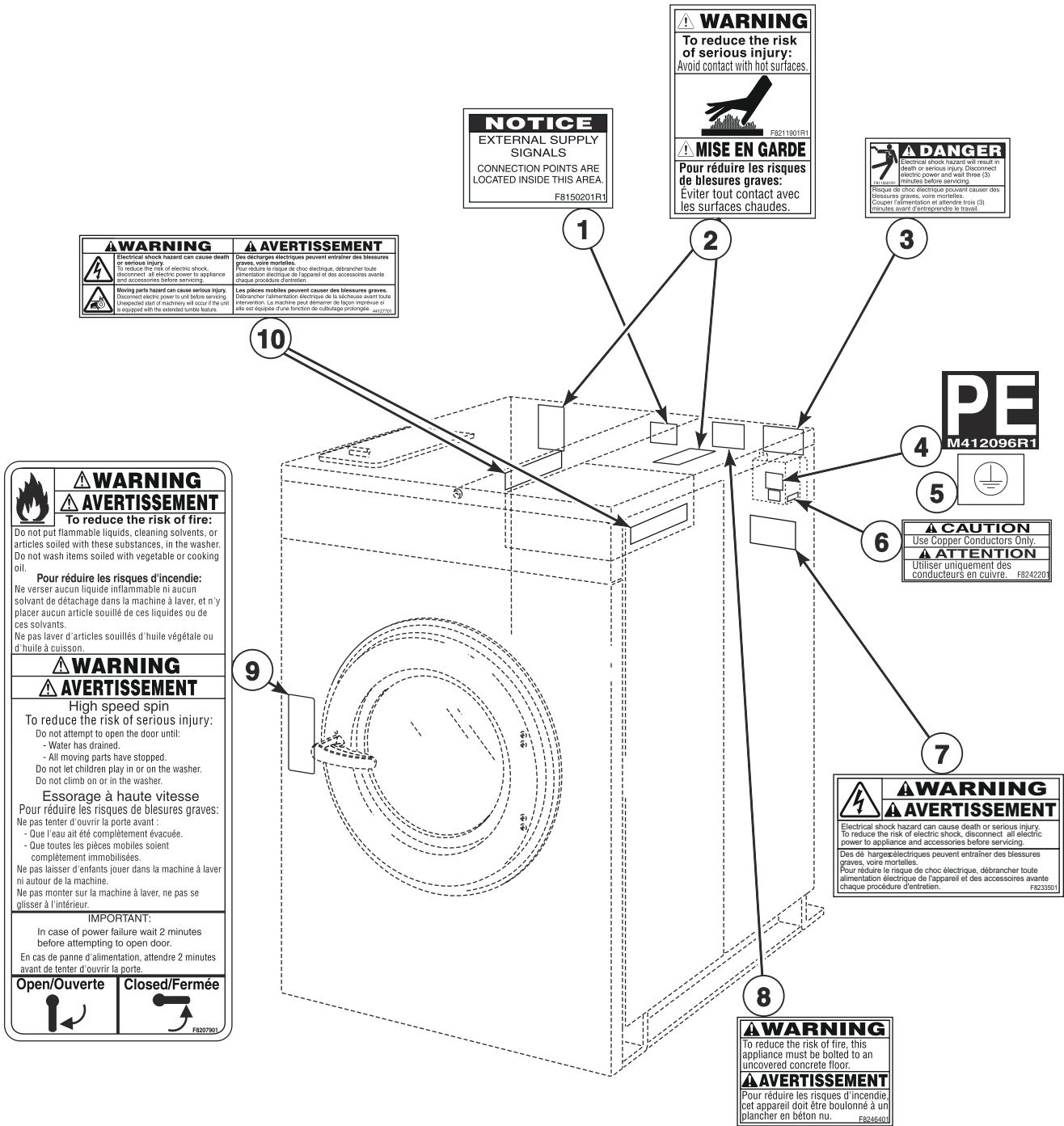
CHM3218P\_F8339301



# Product Overview - M4, Galaxy 200 and Quantum Standard

REF	PART NO.	DESCRIPTION	COMMENTS
1	-	Product Family	CC HC IC SC UC YC
2	-	Market	B (Brazil CE) D (Daiwa) H (China-ROHS ETL) L (International ETL9c) N (Domestic ETL(c)) U (International CE/ECA) W (WRAS CE) Y (Australia) Z (No Agency International)
3	-	Capacity (Pounds)	020 030 040 060 080 100
4	-	Control	G H J K L W Z
5	-	Actuation	C (Drop Coin Meter) D (Digital Coin Meter) E (Electronic World Drop) L (Prep for Remote/Central Pay) N (Non-Coin OPL) X (Prep for Coin Meter) Y (Prep for Card Reader)
6	-	Speed	F (F-Speed) V (V-Speed)
7	-	Voltage	B (120/60/1/2) N (440-480/50/60/3) P (380-415/50/60/3) Q (200-208/220-240/50/60/3) X (200-208/220-240/50/60/1/3)
8	-	Side Panel	B (Chrome Door/Stainless Steel Sides) C (Chrome Door) U (Standard) 1 (Stainless Steel)
9	-	Design	2 3

# Decals

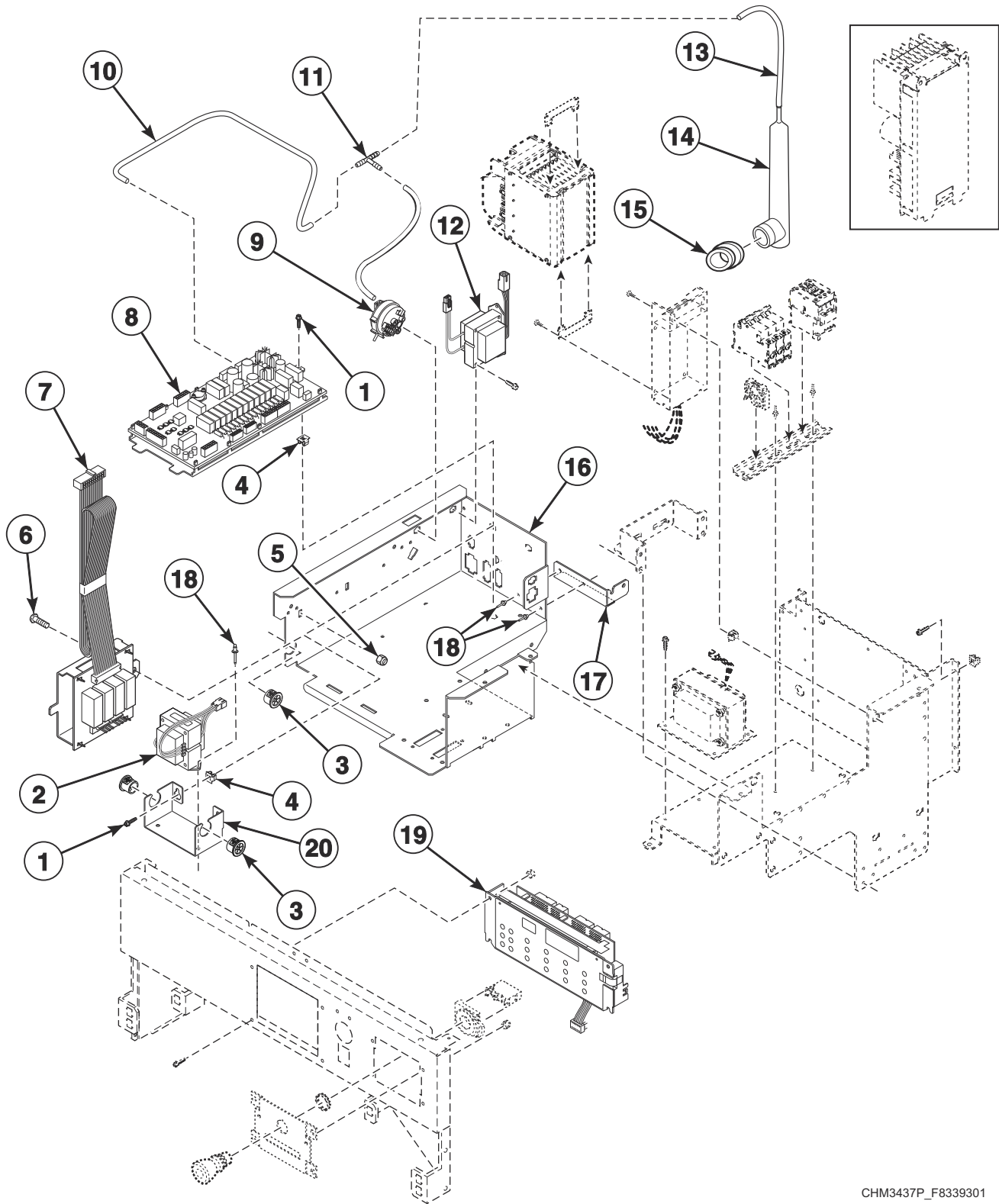


CHM3027P\_F8339301

# Decals

REF	PART NO.	DESCRIPTION	COMMENTS
1	F8150201	External Supply Connection Decal	
2	F8614301	Hot Surface Warning Label	
3	F8115501	Electric Shock Danger Label	
4	M412096	Earth Terminal Sticker	
5	F230739	Ground Decal	
6	F8242201	Use Copper Conductors Only Caution Label	
7	F8233501	Warning Label	
8	F8246401	Mount on Concrete Warning Label	
9	F8207901	Warning Label	
10	44324001	Warning Label	

# Control Module (Drawing 1 of 2)

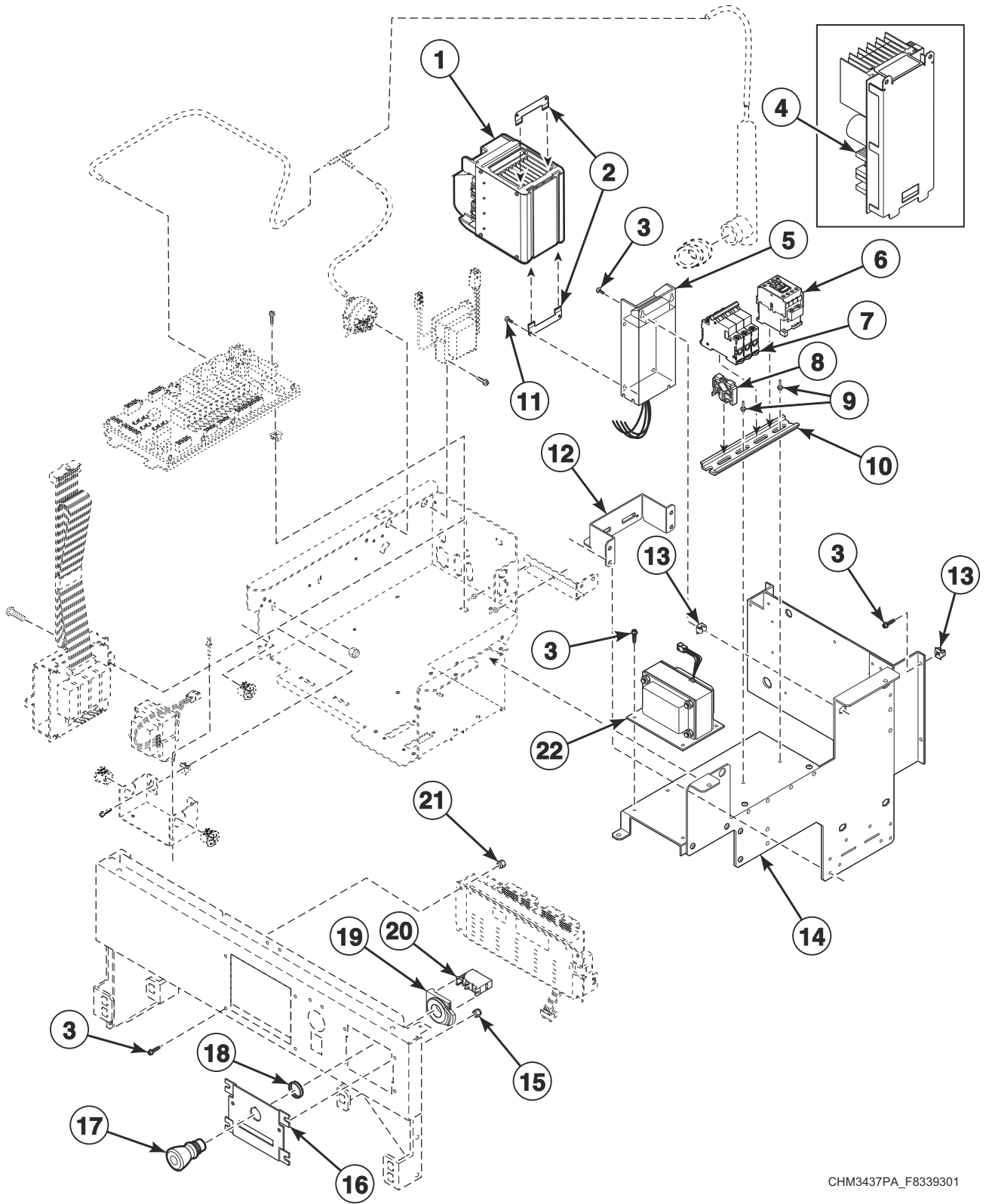


CHM3437P\_F8339301

## Control Module (Drawing 1 of 2)

REF	PART NO.	DESCRIPTION	COMMENTS
	F8028701	Output/Logic Harness	
	F8060501	Emergency Stop Harness	
	203346	USB IR Interface Kit	
	F8191201P	External Supply Harness	
	F937P3	External Supply Kit	Includes items 1, 6, F020014200 Air Trap Hose, F8191201P External Supply Harness and screws
	F8028101P	Machine Size Configuration Harness	20 pound models
	F8028103P	Machine Size Configuration Harness	30 pound models
	F8028104P	Machine Size Configuration Harness	40 pound models
	F8028105P	Machine Size Configuration Harness	60 pound models
	F8433201	Control Tray Harness	
	M413506	Jumper Harness Assembly	208 Volt
	M413507	Jumper Configuration Assembly	240 Volt
<b>1</b>	F8206901	Screw	
<b>2</b>	803527P	Transformer	
<b>3</b>	44071501	Snap Bushing	
<b>4</b>	70030501	Expansion Clip	
<b>5</b>	F430232	Nut	
<b>6</b>	F430903	Screw	
<b>7</b>	F8189401P	Auxiliary Control Assembly	
<b>8</b>	F980P3	Output Control Assembly Kit	Includes item 11 and F8108001 Output Assembly
	802493	Fuse	2.5 Amp
	802492	Fuse	5 Amp
<b>9</b>	F8404401	Water Pressure Switch	Electric heat
<b>10</b>	F8153901	Tubing	
<b>11</b>	F8246601	Tee	Electric heat
	F8431001	Hose Barb Connector	Standard
<b>12</b>	201616P	Transformer	External supply
<b>13</b>	F8405301	Hose	
<b>14</b>	205241	Pressure Bulb Assembly	
<b>15</b>	F8433001	Grommet	
<b>16</b>	F8359601	Control Tray Assembly	20 and 30 pound models
	F8359603	Control Tray Assembly	40 and 60 pound models
<b>17</b>	F8375201	Tray Support Bracket	
<b>18</b>	70058501	Pop Rivet	
<b>19</b>	F117P3	Front End Control Kit	HC, SC and UC models; Includes F8028701 Output/Logic Harness
	F8548901	Front End Control	IC models
<b>20</b>	F8599801	Bracket	

# Control Module (Drawing 2 of 2)

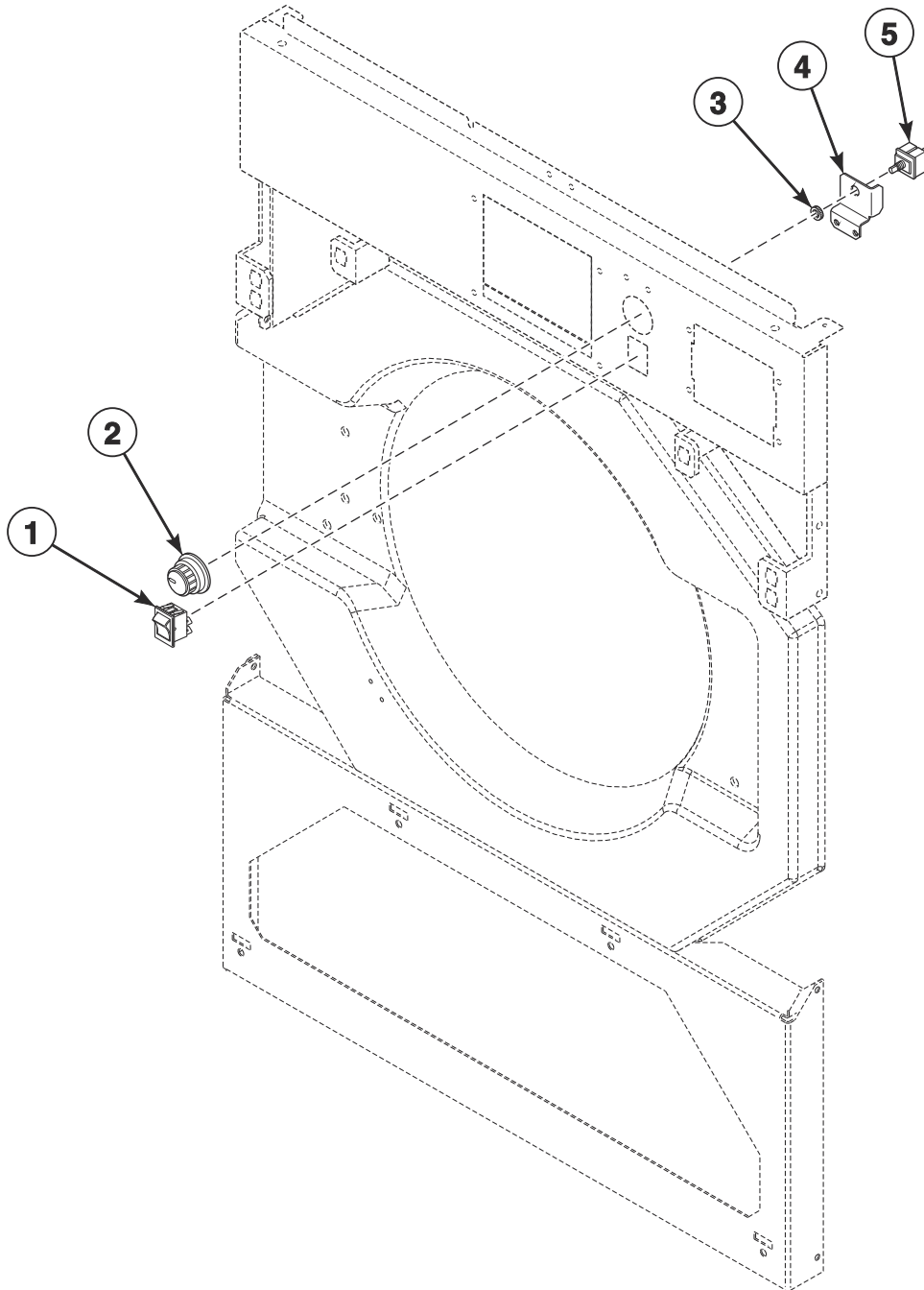


CHM3437PA\_F8339301

## Control Module (Drawing 2 of 2)

REF	PART NO.	DESCRIPTION	COMMENTS
	F8385102	Communication Harness	
1	F8303601P	Drive Assembly	N and P-voltage; 5 hp
	F8204701P	Drive Assembly	60 pound models; Q and X-voltage; 3 hp
2	F8322401	Drive Mounting Bracket	Use with item 1
3	F8206901	Screw	
4	F8327301P	Drive Assembly	20, 30 and 40 pound models; B, Q and X-voltage; 2 hp
5	F8053901P	EMI Filter	240 Volt; International models only
	F8053902	EMI Filter	480 Volt; International models only
6	F330177P	Contacto	
7	70256901P	Circuit Breaker	Electric heat
8	F8449801	End Stop	
9	70058501	Pop Rivet	
10	F8385301	DIN Rail	
11	D503688	Screw	
12	F8310101	Lower Drive Mounting Bracket	Use with item 4
13	70030501	Expansion Clip	
14	F8359801	Drive Tray Assembly	20 pound models
	F8359802	Drive Tray Assembly	30 pound models
	F8359803	Drive Tray Assembly	40 and 60 pound models
15	F431017	Nut	
16	F8201301	Emergency Stop Plate	
17	F200233500	Emergency Stop Pushbutton	
18	24205	Nut	
19	F200233401P	Contact Block Switch	Includes item 20 and F8538101 Contact Base
	F8538101	Contact Base	
20	F8069501	Contact Switch	
21	F430232	Nut	
22	F8401301	Transformer	

# Rocker Switch and Temperature Knob



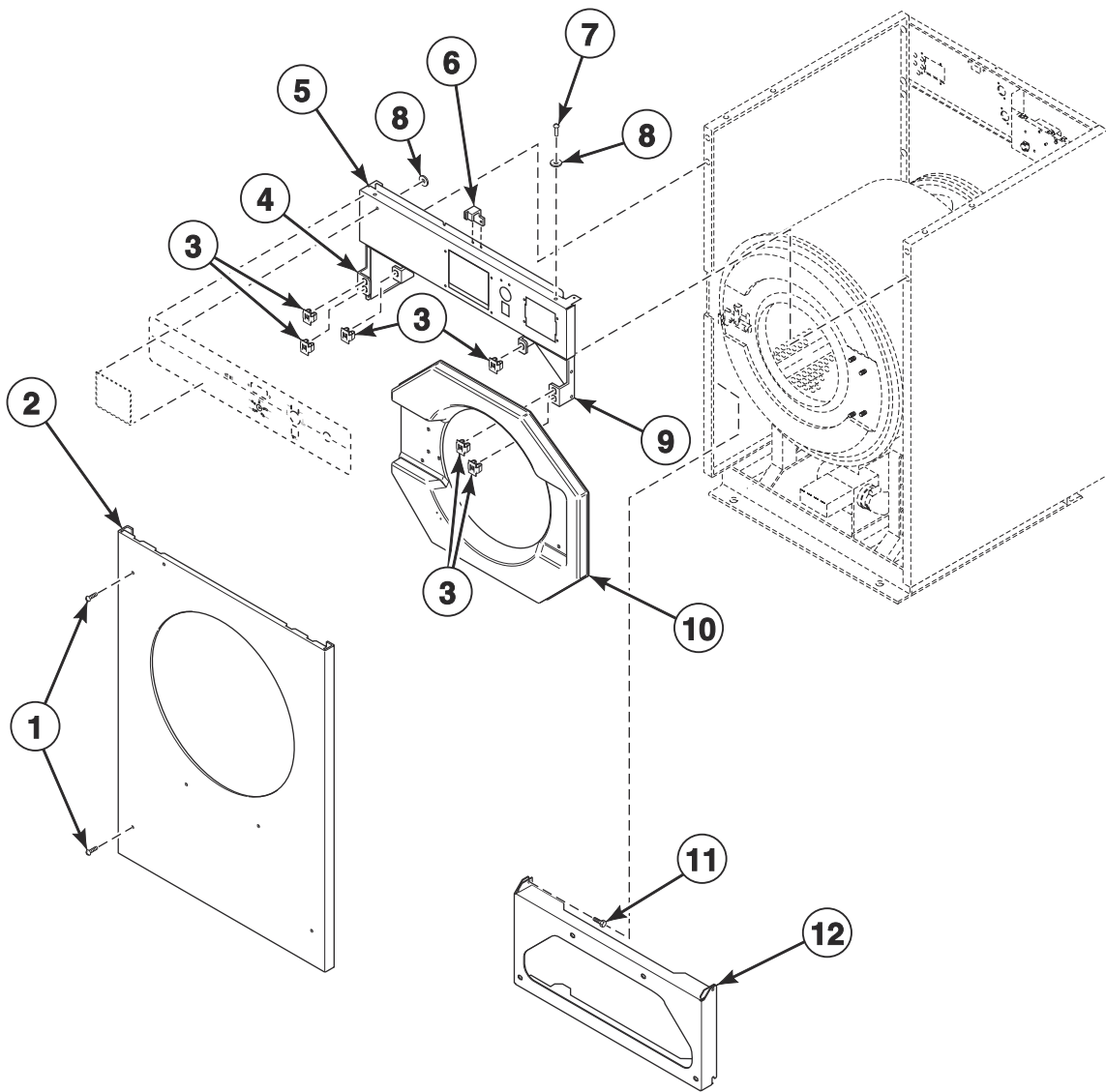
CHM3399P\_F8339301



## Rocker Switch and Temperature Knob

REF	PART NO.	DESCRIPTION	COMMENTS
1	70455101	Rocker Switch	
2	44104601	Temperature Knob	
3	F431017	Nut	
4	70391701	Temperature Selector Switch Bracket	
5	D511711	Temperature Selector Switch	

# Front Panel and Control Panel

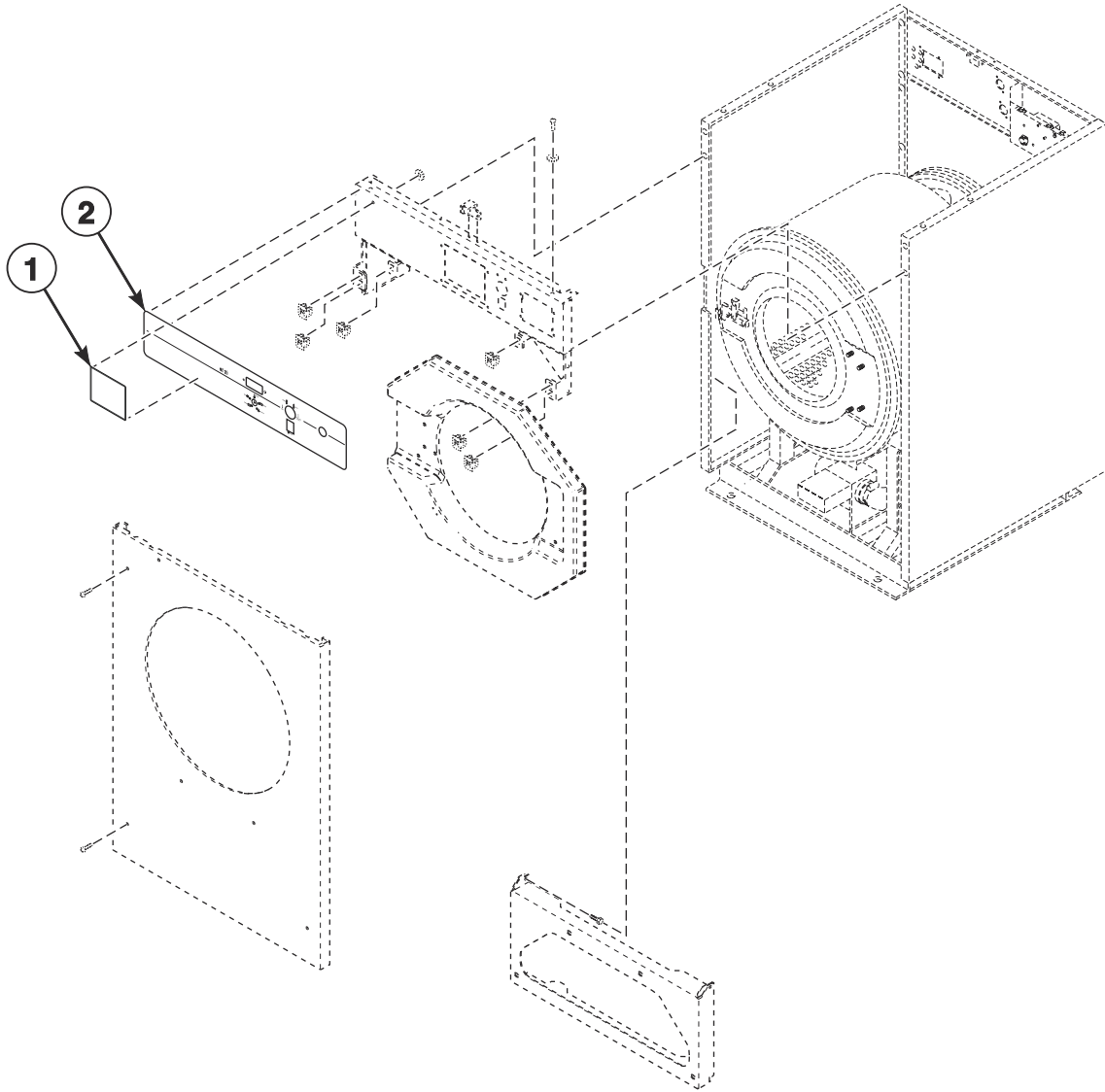


CHM3458P\_F8339301

## Front Panel and Control Panel

REF	PART NO.	DESCRIPTION	COMMENTS
1	F8117601	Screw	
2	F8171302P	Front Panel	20 pound HC, SC and UC models; Design 2; Stainless steel; Vertical brush
	F8492302	Front Panel	20 pound HC, SC and UC models; Design 3; Stainless steel; Vertical brush
	F8492308	Front Panel	20 pound HC, SC and UC models; Design 3; Stainless steel; Horizontal brush
	F8492306	Front Panel	20 pound IC models; Stainless steel; Vertical brush
	F8492310	Front Panel	20 pound IC models; Design 3; Stainless steel; Horizontal brush
	F8173002P	Front Panel	30 pound HC, SC and UC models; Stainless steel; Vertical brush
	F8173008	Front Panel	30 pound HC, SC and UC models; Stainless steel; Horizontal brush
	F8173011	Front Panel	30 pound IC models; Design 3; Stainless steel; Horizontal brush
	F8173007	Front Panel	30 pound IC models; Black
	F8173102P	Front Panel	40 pound HC, SC and UC models; Stainless steel; Vertical brush
	F8173108	Front Panel	40 pound HC, SC and UC models; Stainless steel; Horizontal brush
	F8173104	Front Panel	40 pound IC models; Stainless steel; Vertical brush
	F8173110	Front Panel	40 pound IC models; Stainless steel; Horizontal brush
	F8173106	Front Panel	40 pound IC models; Black
	F8173210	Front Panel	60 pound models; Stainless steel; Vertical brush
	F8173208	Front Panel	60 pound HC, SC and UC models; Stainless steel; Horizontal brush
	F8173204	Front Panel	60 pound IC models; Stainless steel; Vertical brush
	F8173206	Front Panel	60 pound IC models; Black
3	70030501	Expansion Clip	
4	F8186702	Gusset Plate	
5	F8038503	Control Panel Assembly	20 pound HC, IC and SC models; 20 pound UC models through 8/13/2014
	F8038505	Control Panel Assembly	20 pound UC models; Models starting 8/14/2014
	F8038603	Control Panel Assembly	30 pound HC, IC and SC models; 30 pound UC models through 8/13/2014
	F8038605	Control Panel Assembly	30 pound UC models; Models starting 8/14/2014
	F8038703	Control Panel Assembly	40 pound HC, IC and SC models; 40 pound UC models through 8/13/2014
	F8038705	Control Panel Assembly	40 pound UC models; Models starting 8/14/2014
	F8038803	Control Panel Assembly	60 pound HC, IC and SC models; 60 pound UC models through 8/13/2014
	F8038805	Control Panel Assembly	60 pound UC models; Models starting 8/14/2014
6	F8201001	Top Cover Latch	
7	70412601	Pop Rivet	
8	F8201101	Washer	
9	F8186701	Gusset Plate	
10	F8658701	Door Bezel	Black; 20 pound SC and UC models
	F8658801	Door Bezel	Gray; 20 pound HC models
	F8658901	Door Bezel	30 pound HC, SC and UC models
	F8659101	Door Bezel	40 and 60 pound HC, SC, and UC models
11	F430174	Screw	
12	F8173801	Front Cabinet Brace	20 pound models
	F8173901	Front Cabinet Brace	30 pound models
	F8174001	Front Cabinet Brace	40 pound models
	F8174101	Lower Cabinet Brace	60 pound models

# Control Panel Overlays



CHM3458PA\_F83393301

## Control Panel Overlays

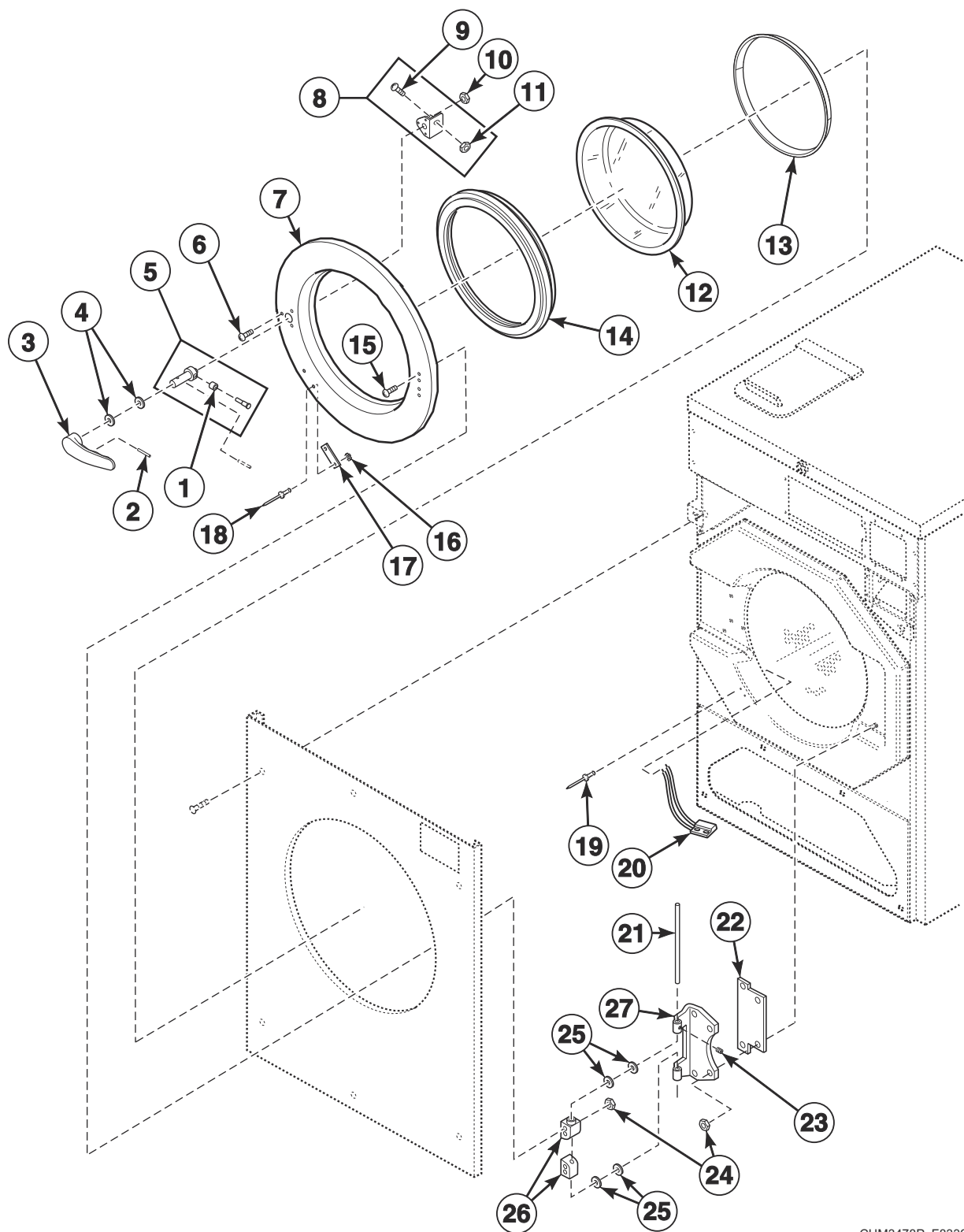
REF	PART NO.	DESCRIPTION	COMMENTS
1	F8443101	Logo	20 and 30 pound UC models; Models starting 8/14/2014
	F8443102	Nameplate	40 and 60 pound UC models; Models starting 8/14/2014
2	F8443601	Overlay	HC models
	F8551601	Control Panel Overlay	IC models
	F8293501	Overlay	20 pound SC models
	F8293601	Overlay	30 pound SC models
	F8293701	Overlay	40 pound SC models
	F8293801	Overlay	60 pound SC models
	F8219701	Overlay	20 pound UC models; Models through 8/13/2014
	F8219801	Overlay	30 pound UC models; Models through 8/13/2014
	F8219901	Overlay	40 pound UC models; Models through 8/13/2014
	F8220001	Overlay	60 pound UC models; Models through 8/13/2014
	F8531501	Control Panel Overlay	UC models; Models starting 8/14/2014



# Panels

REF	PART NO.	DESCRIPTION	COMMENTS
1	70155603	Key	RL003
2	44089303P	Panel Lock	
3	F8048102	Dispenser Lid	IC models; Black
	F8048101	Dispenser Lid	HC, SC and UC models; Gray
4	F8230601	Screw	
5	F8091701	Lid Clamp	
6	F8040201	Top Cover	20 pound models
	F8017401	Top Cover	30 pound models
	F8040301	Top Cover	40 pound models
	F8040401P	Top Cover	60 pound models
7	F8043501	Top Cabinet Brace	20 pound models
8	F8043701	Top Cabinet Brace	30 pound models
9	F430174	Screw	
10	F8043801	Top Cabinet Brace	40 pound models
	F8043901	Top Cabinet Brace	60 pound models
11	F8206901	Screw	
12	F8258601	Top Cover Hinge	
13	M400985	Plug	
14	F8223901	Plug	
15	F8223801	Hole Plug	
16	F8362401	Rear Panel	20 pound models; Design 2
	F8492501	Rear Panel	20 pound models; Design 3
	F8352801	Rear Panel	30 pound models
	F8365201	Rear Panel	40 pound models
	F8367101	Rear Panel	60 pound models
17	F8206901	Screw	
18	70030501	Expansion Clip	
19	F8399201	Right Side Panel	20 pound models; Design 2; Vinyl
	F8399203	Right Side Panel	20 pound models; Design 2; Stainless steel
	F8492401	Right Side Panel	20 pound models; Design 3; Vinyl
	F8492403	Right Side Panel	20 pound models; Design 3; Stainless steel
	F8399301	Right Side Panel	30 pound models; Vinyl
	F8399303	Right Side Panel	30 pound models; Stainless steel
	F8399401	Right Side Panel	40 pound models; Vinyl
	F8399403	Right Side Panel	40 pound models; Stainless steel
	F8399501	Right Side Panel	60 pound models; Vinyl
	F8399503	Right Side Panel	60 pound models; Stainless steel
20	F8399202	Left Side Panel	20 pound models; Design 2; Vinyl
	F8399204	Left Side Panel	20 pound models; Design 2; Stainless steel
	F8492402	Left Side Panel	20 pound models; Design 3; Vinyl
	F8492404	Left Side Panel	20 pound models; Design 3; Stainless steel
	F8399302	Left Side Panel	30 pound models; Vinyl
	F8399304	Left Side Panel	30 pound models; Stainless steel
	F8399402	Left Side Panel	40 pound models; Vinyl
	F8399404	Left Side Panel	40 pound models; Stainless steel
	F8399502P	Left Side Panel	60 pound models; Vinyl
	F8399504	Left Side Panel	60 pound models; Stainless steel
21	70413301	Pushbutton Switch	
22	F8230501	Bolt	

# Door - 20 Pound HC Models



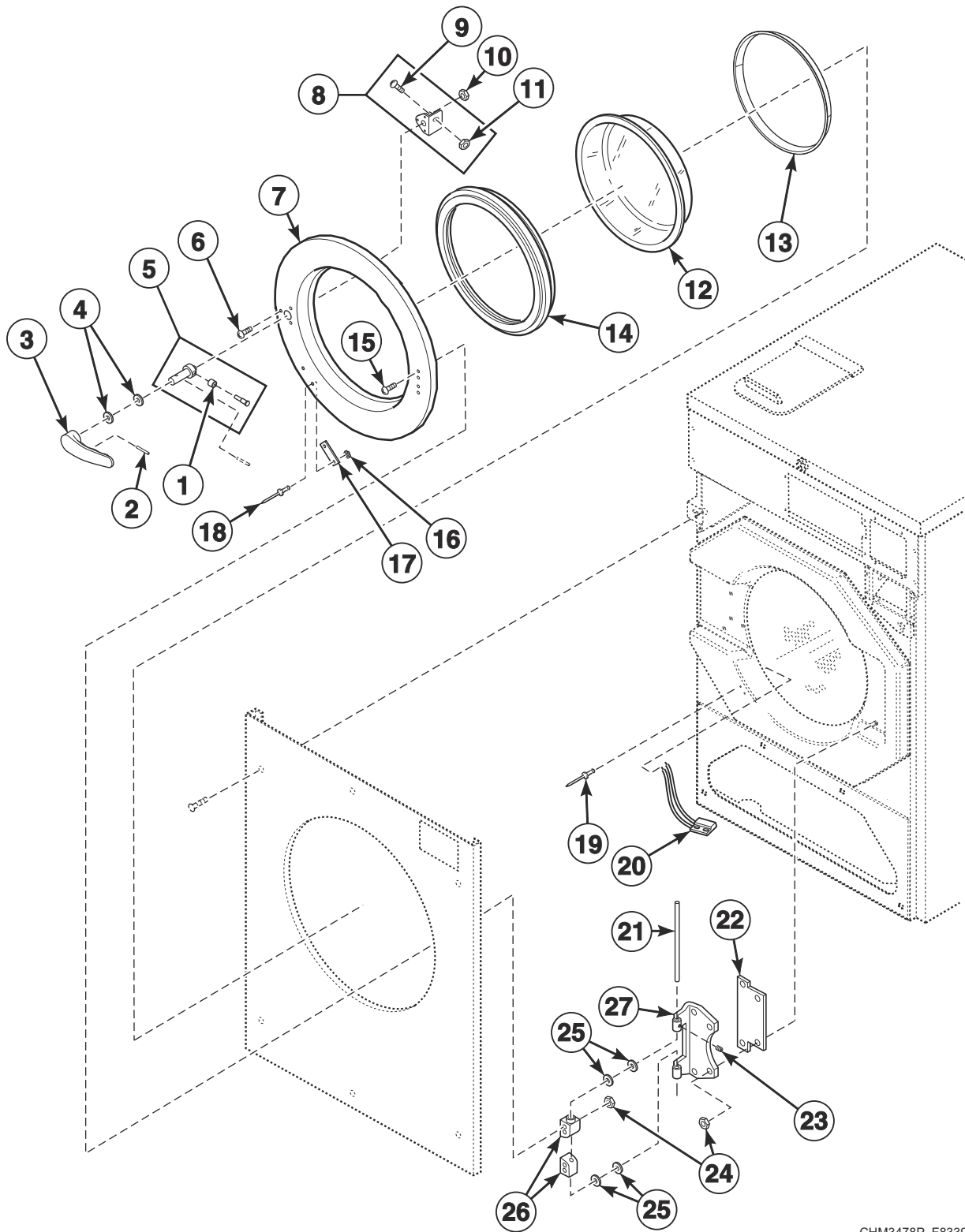
CHM3478P\_F8339301



## Door - 20 Pound HC Models

REF	PART NO.	DESCRIPTION	COMMENTS
	F8187203	Door Assembly	Includes items 1-18 and 21-27
	F8187204	Door Assembly	Includes items 1-18 and 21-27; Black
	F8187206	Door Assembly	Includes items 1-18 and 21-27; Chrome
	F8187207	Door Assembly	Includes items 1-18 and 21-27; Chrome/black
1	F8221701	Bearing Sleeve	
2	F431222	Spring Pin	
3	F8199501	Door Handle	Gray
	F8544701	Door Handle	Chrome
4	F431916	Washer	
5	F8221403	Door Latch Arm Assembly	
6	F8535501	Screw	
	F8508101	Bolt	Polished
7	F0602431-02	Door	
	F8507501P	Door	Chrome
8	F8567501	Door Handle Spacer Kit	Includes items 9 and 11
9	F430532	Screw	
10	F430232	Nut	
11	F431041	Nut	
12	F8675701	Door Glass	
13	F8583201	Door Glass Trim	Black
	F8583204	Door Glass Trim	Green
14	F200000202	Door Gasket	Models starting 10/13/2014; Black
	F200000200	Door Gasket	Models through 10/12/2014; Gray
15	F430974	Bolt	
	F8508101	Bolt	Polished
16	F431113	Washer	
17	F8390801	Magnet	
18	F431223	Pop Rivet	
19	F8245101	Blind Rivet	
20	F8066802	Reed Switch Assembly	
21	F602813-2	Rod	
22	F200131000P	Door Hinge Shim Kit	
23	F430536	Screw	
24	F430215	Nut	
25	F431929	Washer	
26	F150271	Door Mount	
27	F190216P	Door Hinge	

# Door - 20 Pound IC, SC and UC Models

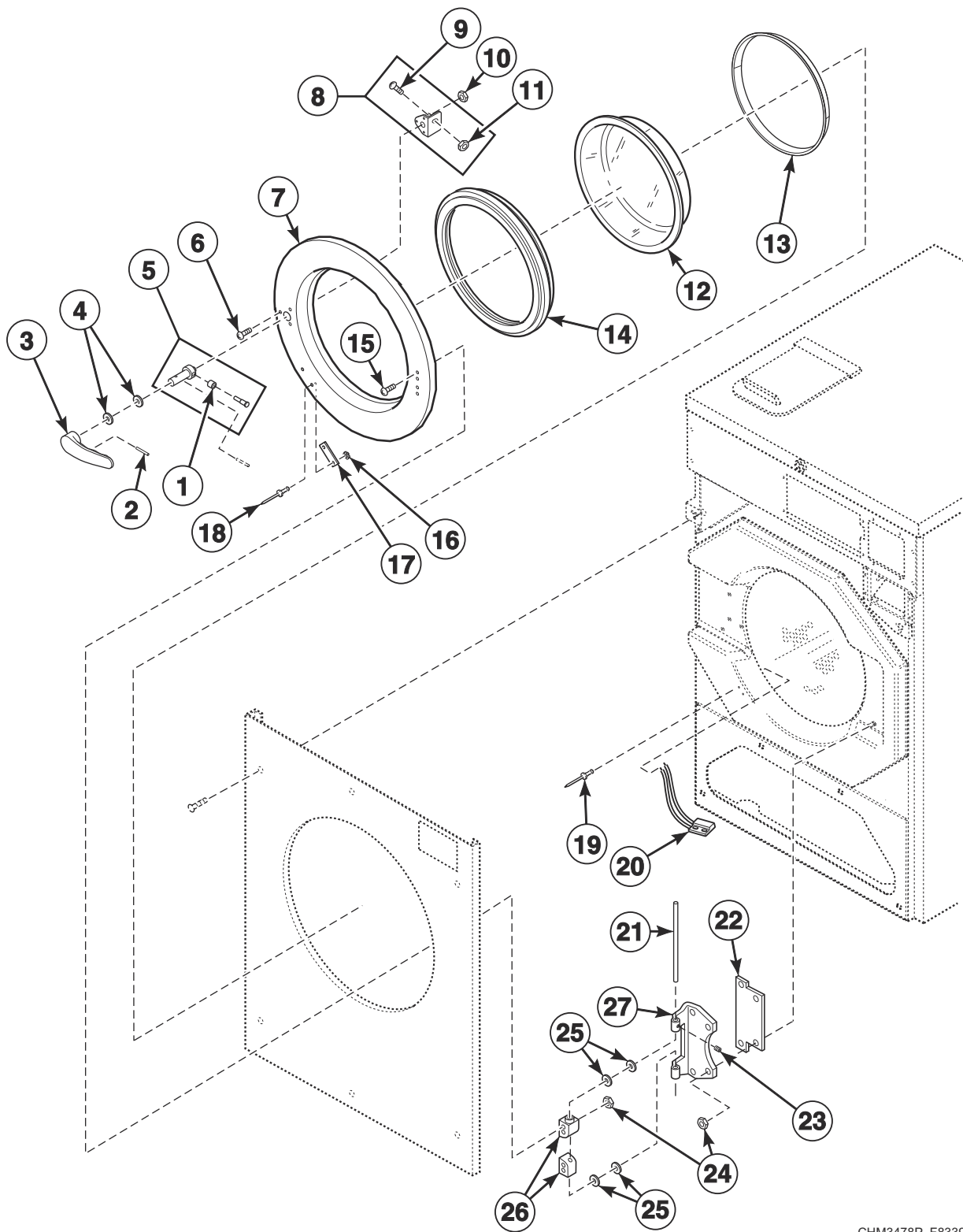


CHM3478P\_F8339301

## Door - 20 Pound IC, SC and UC Models

REF	PART NO.	DESCRIPTION	COMMENTS
	F8087202	Door Assembly	IC models; Includes items 1-18 and 21-27
	F8087205	Door Assembly	IC models; Includes items 1-18 and 21-27; Chrome
	F8617201	Door Assembly	SC models; UC models through 8/13/2014; Includes items 1-18 and 21-27
	F8617202	Door Assembly	SC models; Includes items 1-18 and 21-27
	F8617208	Door Assembly	UC models; Models starting 8/14/2014; Includes items 1-18 and 21-27
<b>1</b>	F8221701	Bearing Sleeve	
<b>2</b>	F431222	Spring Pin	
<b>3</b>	F8624603	Door Handle	IC models; Black
	F8199401P	Door Handle	SC models; UC models through 8/13/2014; Black
	F8435501	Door Handle	UC models; Models starting 8/14/2014
<b>4</b>	F431916	Washer	
<b>5</b>	F8221403	Door Latch Arm Assembly	
<b>6</b>	F8535501	Screw	
	F8508101	Bolt	Polished
<b>7</b>	F0602431-02	Door	
	F8507501P	Door	Chrome
<b>8</b>	F8567501	Door Handle Spacer Kit	Includes items 9 and 11
<b>9</b>	F430532	Screw	
<b>10</b>	F430232	Nut	
<b>11</b>	F431041	Nut	
<b>12</b>	F290205P	Door Glass Kit	
<b>13</b>	F8583201	Door Glass Trim	
<b>14</b>	F200000202	Door Gasket	Black
<b>15</b>	F430974	Bolt	
	F8508101	Bolt	Polished
<b>16</b>	F431113	Washer	
<b>17</b>	F8390801	Magnet	
<b>18</b>	F431223	Pop Rivet	
<b>19</b>	F8245101	Blind Rivet	
<b>20</b>	F8066802	Reed Switch Assembly	
<b>21</b>	F602813-2	Rod	
<b>22</b>	F200131000P	Door Hinge Shim Kit	
<b>23</b>	F430536	Screw	
<b>24</b>	F430215	Nut	
<b>25</b>	F431929	Washer	
<b>26</b>	F150271	Door Mount	
<b>27</b>	F190216P	Door Hinge	

# Door - 30 Pound HC Models

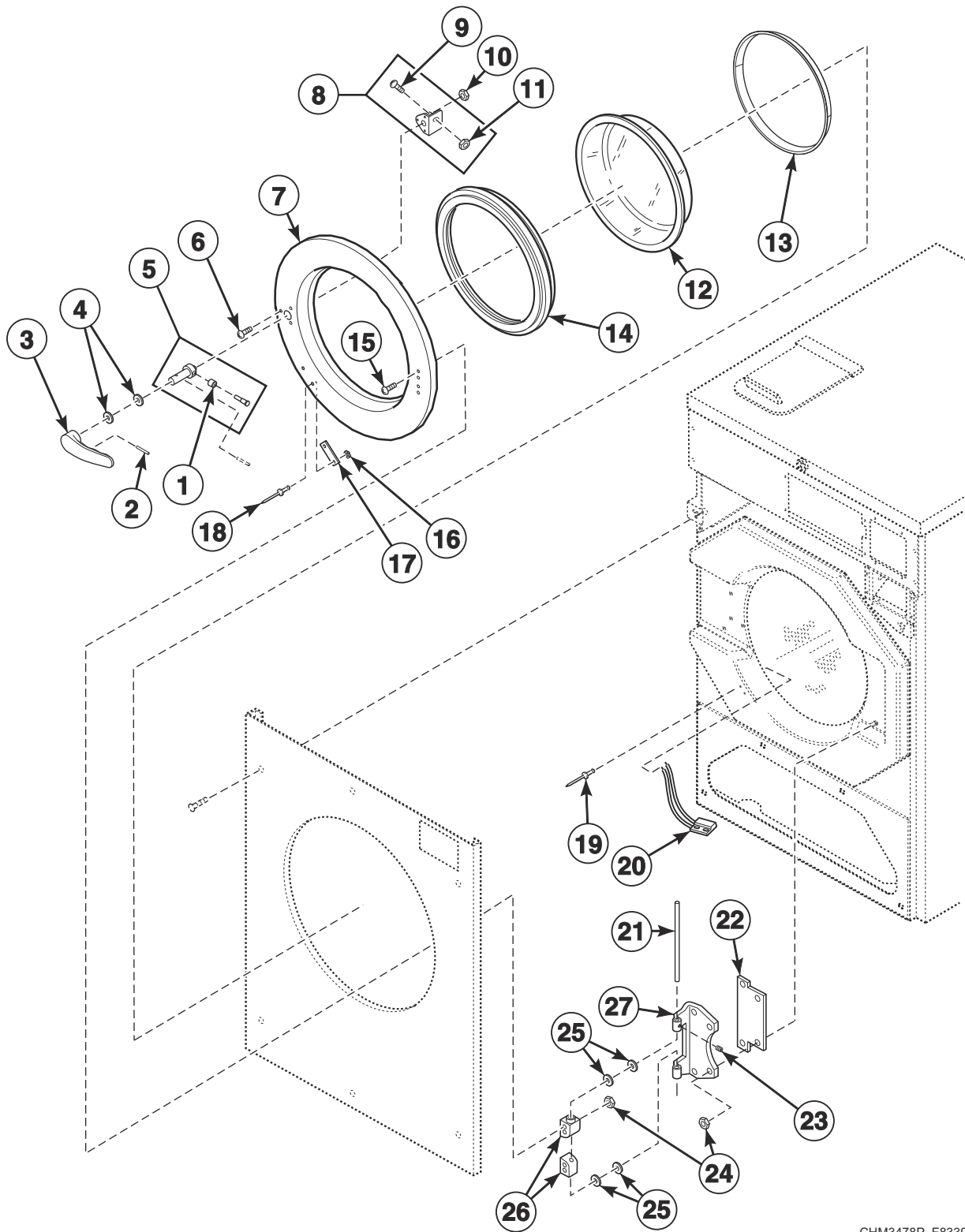


CHM3478P\_F8339301

## Door - 30 Pound HC Models

REF	PART NO.	DESCRIPTION	COMMENTS
	F8187303	Door Assembly	Includes items 1-18 and 21-27
	F8187304	Door Assembly	Includes items 1-18 and 21-27; Black
	F8187306	Door Assembly	Includes items 1-18 and 21-27; Chrome
	F8187307	Door Assembly	Includes items 1-18 and 21-27; Chrome/black
<b>1</b>	F8221701	Bearing Sleeve	
<b>2</b>	F431222	Spring Pin	
<b>3</b>	F8199501	Door Handle	Gray
	F8544701	Door Handle	Chrome
<b>4</b>	F431916	Washer	
<b>5</b>	F8221403	Door Latch Arm Assembly	
<b>6</b>	F8535501	Screw	
	F8508101	Bolt	Polished
<b>7</b>	F0602837-02	Door	
	F8752601	Door	Polished
<b>8</b>	F8567501	Door Handle Spacer Kit	Includes items 9 and 11
<b>9</b>	F430533	Screw	
<b>10</b>	F430232	Nut	
<b>11</b>	F431041	Nut	
<b>12</b>	F8485305	Door Glass	
<b>13</b>	F8583202	Door Glass Trim	
	F8583205	Door Glass Trim	Green
<b>14</b>	F8111601	Door Gasket	Models through 10/12/2014; Gray
	F8111602	Door Gasket	Models starting 10/13/2014; Black
<b>15</b>	F430974	Bolt	
	F8508101	Bolt	Polished
<b>16</b>	F431113	Washer	
<b>17</b>	F8390801	Magnet	
<b>18</b>	F431223	Pop Rivet	
<b>19</b>	F8245101	Blind Rivet	
<b>20</b>	F8066802	Reed Switch Assembly	
<b>21</b>	F602813-2	Rod	
<b>22</b>	F200131000P	Door Hinge Shim Kit	
<b>23</b>	F430536	Screw	
<b>24</b>	F430215	Nut	
<b>25</b>	F431929	Washer	
<b>26</b>	F150271	Door Mount	
<b>27</b>	F190216P	Door Hinge	

# Door - 30 Pound IC, SC and UC Models

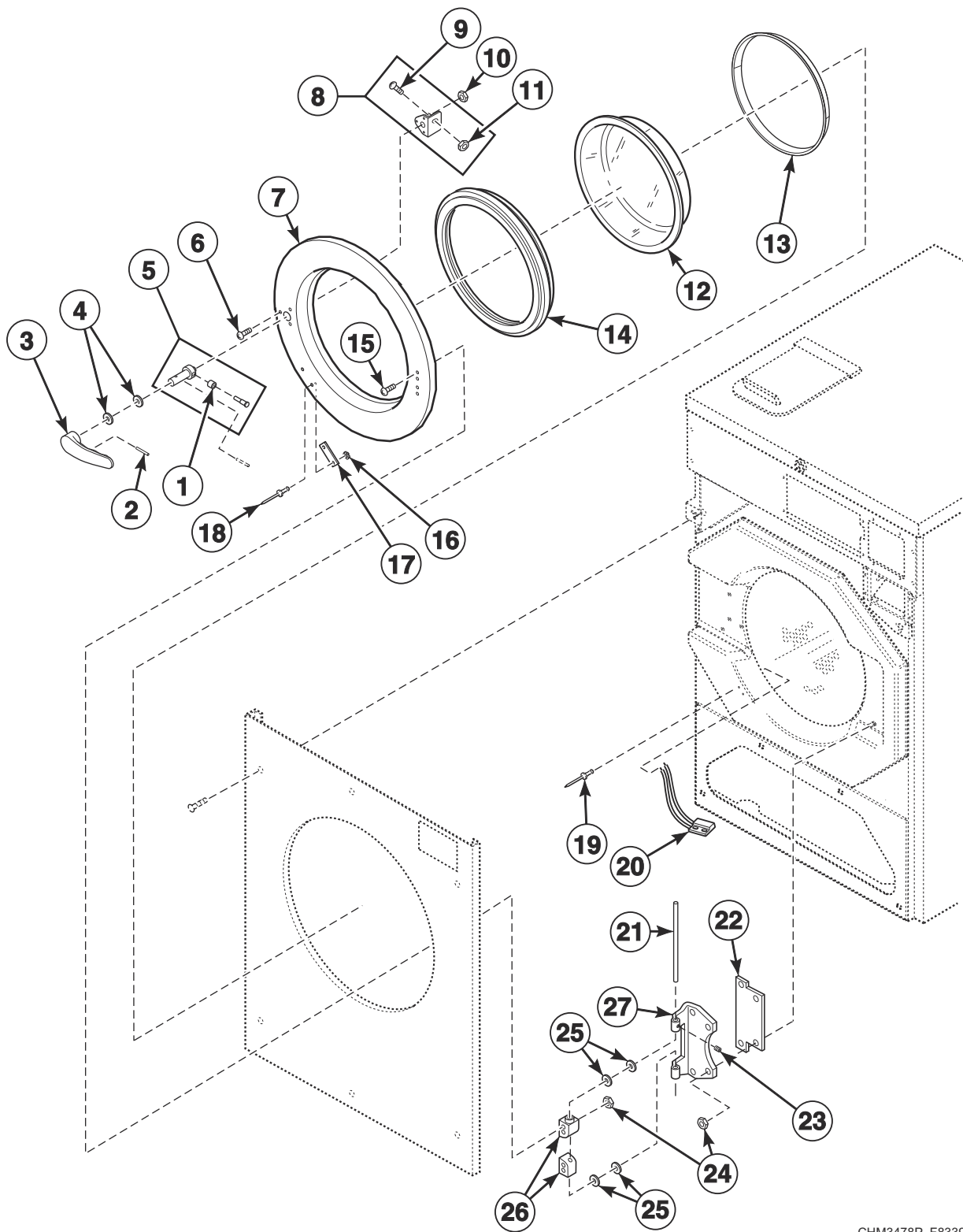


CHM3478P\_F8339301

## Door - 30 Pound IC, SC and UC Models

REF	PART NO.	DESCRIPTION	COMMENTS
	F8087302	Door Assembly	IC models; Includes items 1-18 and 21-27
	F8187305	Door Assembly	IC models; Includes items 1-18 and 21-27; Chrome
	F8167301	Door Assembly	SC models; UC models through 8/13/2014; Includes items 1-18 and 21-27; Black
	F8617302	Door Assembly	SC models; Includes items 1-18 and 21-27; Chrome
	F8187308	Door Assembly	UC models; Models starting 8/14/2014; Includes items 1-18 and 21-27
<b>1</b>	F8221701	Bearing Sleeve	
<b>2</b>	F431222	Spring Pin	
<b>3</b>	F8624603	Door Handle	IC models; Black
	F8199401P	Door Handle	SC models; UC models through 8/13/2014; Black
	F8435501	Door Handle	UC models; Models starting 8/14/2014
<b>4</b>	F431916	Washer	
<b>5</b>	F8221403	Door Latch Arm Assembly	
<b>6</b>	F8535501	Screw	
	F8508101	Bolt	Polished
<b>7</b>	F0602837-02	Door	
	F8752601	Door	Polished
<b>8</b>	F8567501	Door Handle Spacer Kit	Includes items 9 and 11
<b>9</b>	F430533	Screw	
<b>10</b>	F430232	Nut	
<b>11</b>	F431041	Nut	
<b>12</b>	F8485301P	Door Glass	
<b>13</b>	F8583202	Door Glass Trim	
<b>14</b>	F8111602	Door Gasket	Black
<b>15</b>	F430974	Bolt	
	F8508101	Bolt	Polished
<b>16</b>	F431113	Washer	
<b>17</b>	F8390801	Magnet	
<b>18</b>	F431223	Pop Rivet	
<b>19</b>	F8245101	Blind Rivet	
<b>20</b>	F8066802	Reed Switch Assembly	
<b>21</b>	F602813-2	Rod	
<b>22</b>	F200131000P	Door Hinge Shim Kit	
<b>23</b>	F430536	Screw	
<b>24</b>	F430215	Nut	
<b>25</b>	F431929	Washer	
<b>26</b>	F150271	Door Mount	
<b>27</b>	F190216P	Door Hinge	

# Door - 40 and 60 Pound HC Models



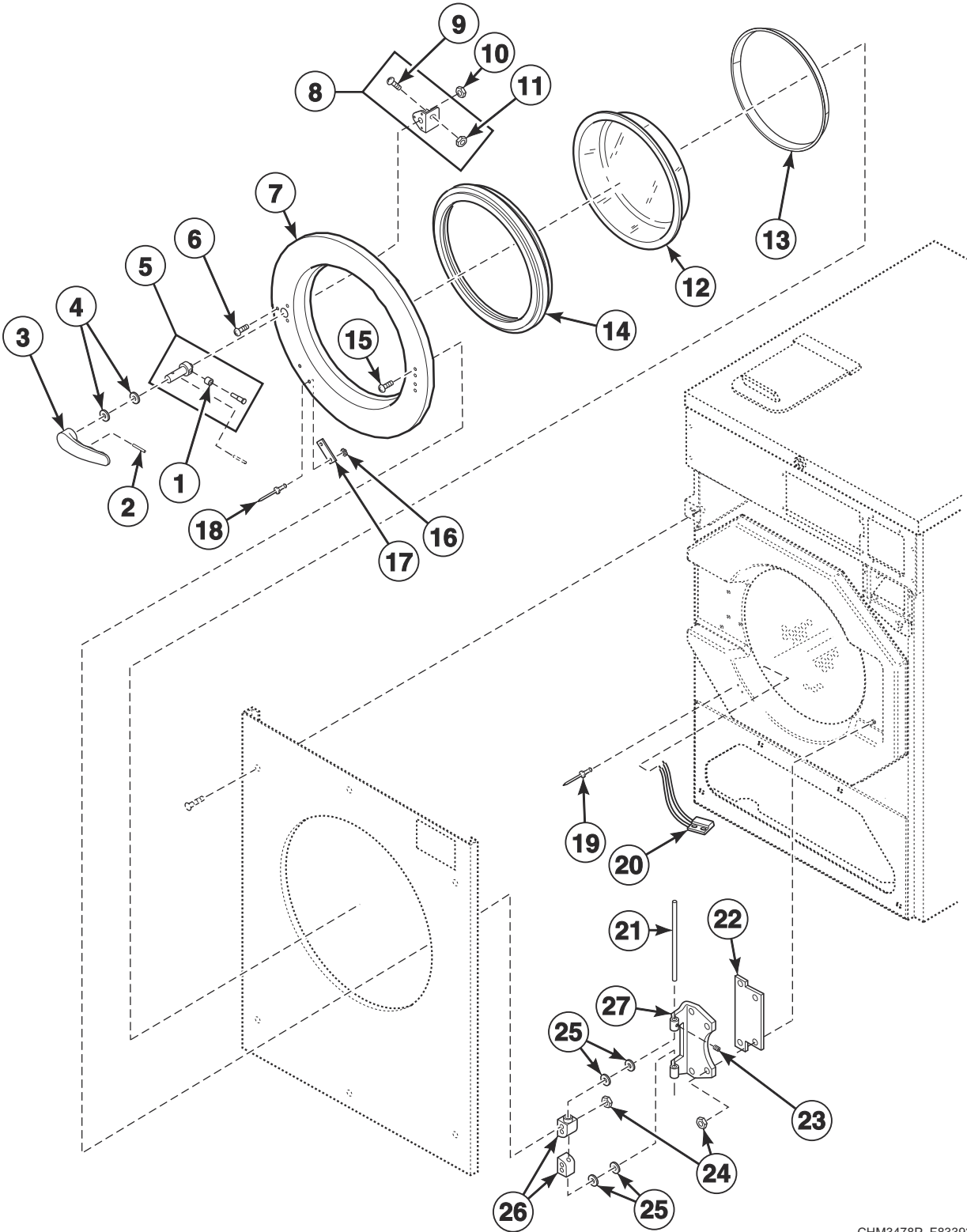
CHM3478P\_F8339301



## Door - 40 and 60 Pound HC Models

REF	PART NO.	DESCRIPTION	COMMENTS
	F8187403	Door Assembly	Includes items 1-18 and 21-27
	F8187404	Door Assembly	Includes items 1-18 and 21-27; Black
	F8187406	Door Assembly	Includes items 1-18 and 21-27; Chrome
	F8187407	Door Assembly	Includes items 1-18 and 21-27; Chrome/black
1	F8221701	Bearing Sleeve	
2	F431222	Spring Pin	
3	F8199501	Door Handle	Gray
	F8544701	Door Handle	Chrome
4	F431916	Washer	
5	F8221403	Door Latch Arm Assembly	
6	F8535501	Screw	
	F8508101	Bolt	Polished
7	F602842-2	Door	Vertical brush
	F8507702	Door	Horizontal brush
	F8752701	Door	Chrome
8	F8567501	Door Handle Spacer Kit	Includes items 9 and 11
9	F430533	Screw	
10	F430232	Nut	
11	F431041	Nut	
12	F8485405	Door Glass	
13	F8583203	Door Glass Trim	Black
	F8583206	Door Glass Trim	
14	F170124	Door Gasket	Models through 10/12/2014; Gray
	F8111502	Door Gasket	Models starting 10/13/2014; Black
15	F430974	Bolt	
	F8508101	Bolt	Polished
16	F431113	Washer	
17	F8390801	Magnet	
18	F431223	Pop Rivet	
19	F8245101	Blind Rivet	
20	F8066802	Reed Switch Assembly	
21	F602813-3	Rod	40 pound models
22	F200131000P	Door Hinge Shim Kit	
23	F430536	Screw	
24	F430215	Nut	
25	F431929	Washer	
26	F150271	Door Mount	
27	F190216P	Door Hinge	

# Door - 40 and 60 Pound IC, SC and UC Models

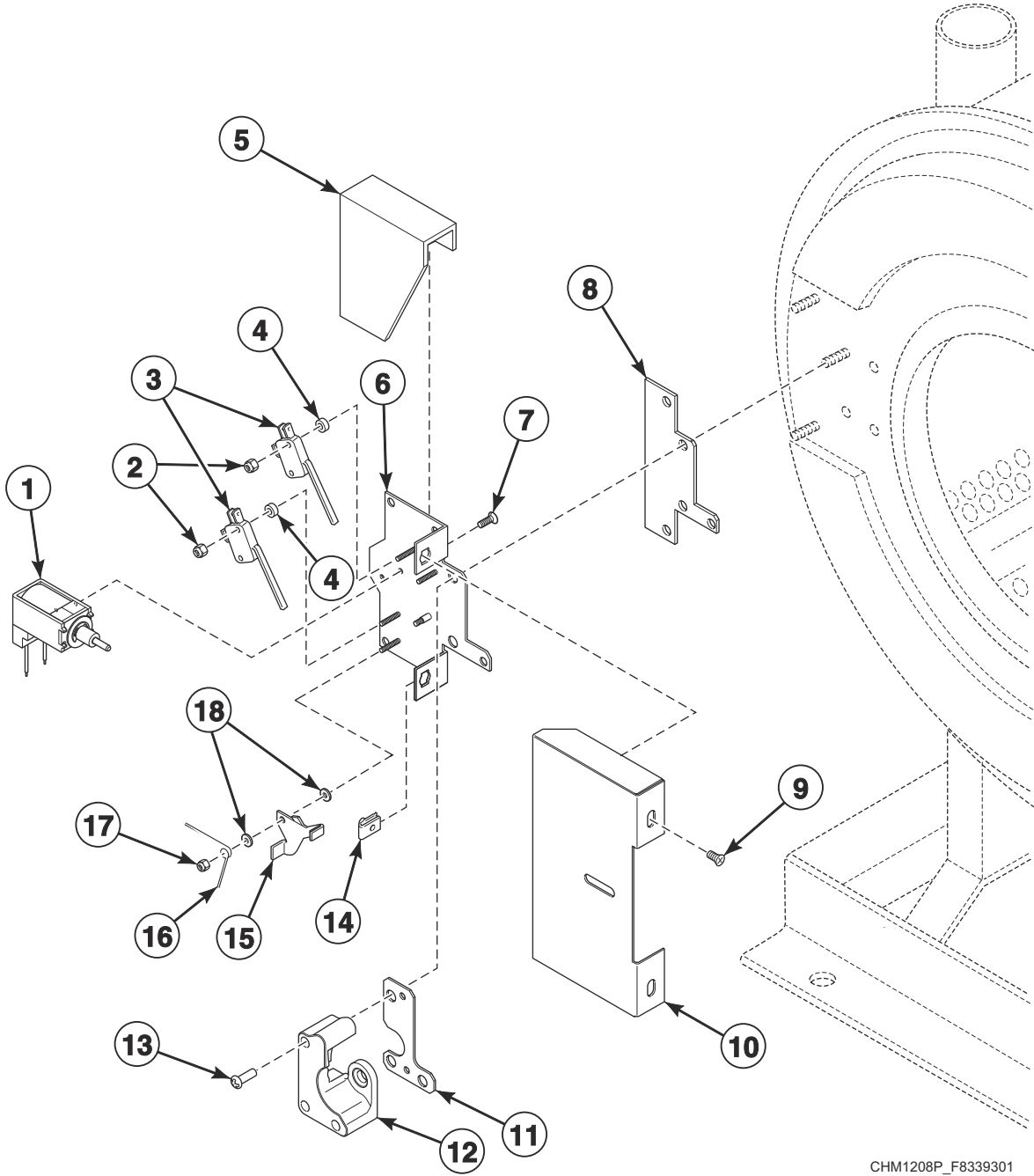


CHM3478P\_F8339301

## Door - 40 and 60 Pound IC, SC and UC Models

REF	PART NO.	DESCRIPTION	COMMENTS
	F8617402	Door Assembly	SC models; Includes items 1-18 and 21-27; Chrome
	F8187411P	Door Assembly	IC and SC models; UC models through 8/13/2014; Includes items 1-18 and 21-27
	F8187408	Door Assembly	UC models; Models starting 8/14/2014; Includes items 1-18 and 21-27
<b>1</b>	F8221701	Bearing Sleeve	
<b>2</b>	F431222	Spring Pin	
<b>3</b>	F8624603	Door Handle	IC models; Black
	F8199401P	Door Handle	SC models; UC models through 8/13/2014; Black
	F8435501	Door Handle	UC models; Models starting 8/14/2014
<b>4</b>	F431916	Washer	
<b>5</b>	F8221403	Door Latch Arm Assembly	
<b>6</b>	F8535501	Screw	
	F8508101	Bolt	Polished
<b>7</b>	F602842-2	Door	Vertical brush
	F8507702	Door	Horizontal brush
	F8752701	Door	Chrome
<b>8</b>	F8567501	Door Handle Spacer Kit	Includes items 9 and 11
<b>9</b>	F430533	Screw	
<b>10</b>	F430232	Nut	
<b>11</b>	F431041	Nut	
<b>12</b>	F8485401P	Door Glass	
<b>13</b>	F8583203	Door Glass Trim	Black
<b>14</b>	F8111502	Door Gasket	Black
<b>15</b>	F430974	Bolt	
	F8508101	Bolt	Polished
<b>16</b>	F431113	Washer	
<b>17</b>	F8390801	Magnet	
<b>18</b>	F431223	Pop Rivet	
<b>19</b>	F8245101	Blind Rivet	
<b>20</b>	F8066802	Reed Switch Assembly	
<b>21</b>	F602813-3	Rod	40 pound models
<b>22</b>	F200131000P	Door Hinge Shim Kit	
<b>23</b>	F430536	Screw	
<b>24</b>	F430215	Nut	
<b>25</b>	F431929	Washer	
<b>26</b>	F150271	Door Mount	
<b>27</b>	F190216P	Door Hinge	

# Door Lock

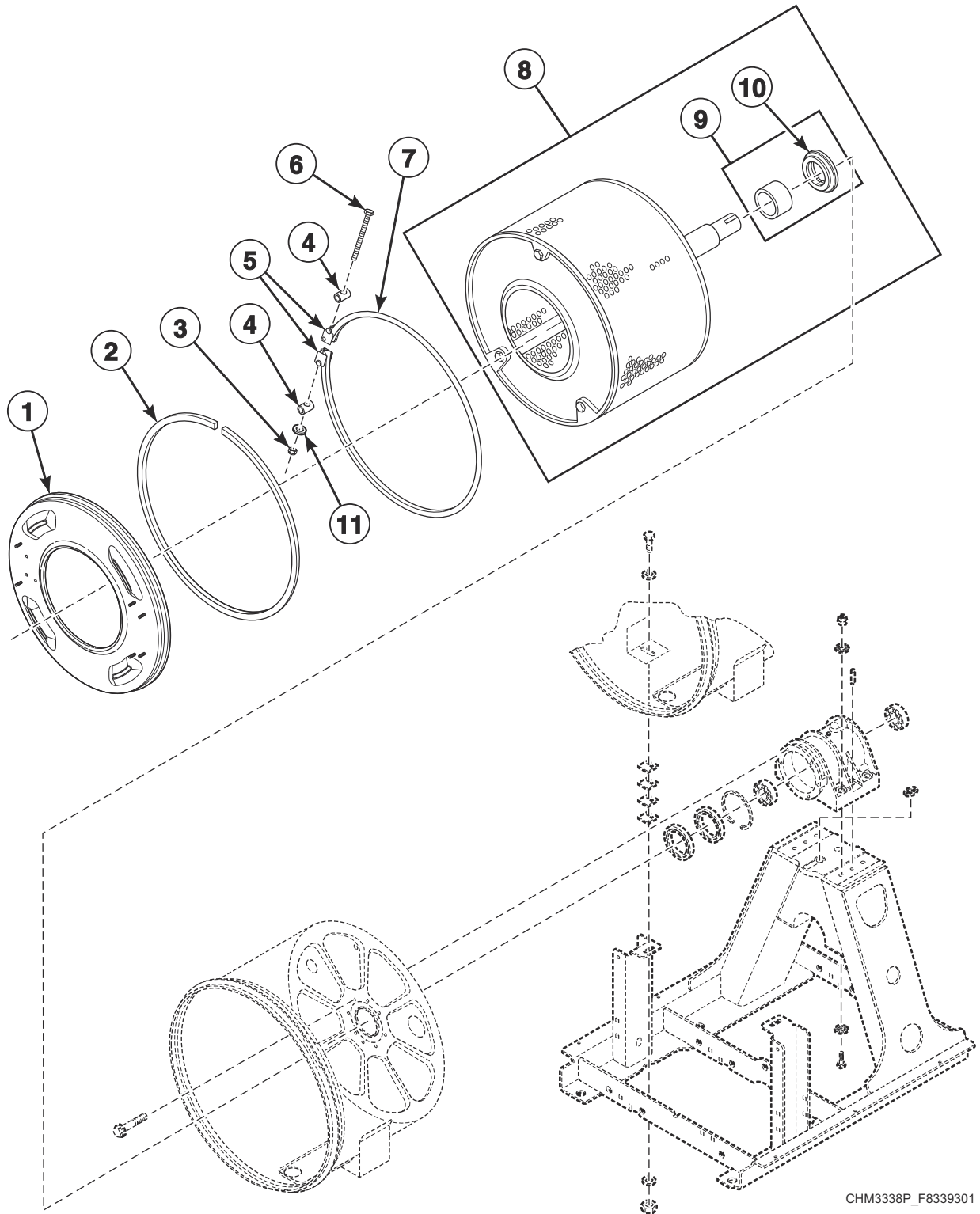


CHM1208P\_F8339301

# Door Lock

REF	PART NO.	DESCRIPTION	COMMENTS
	F8632401	Door Lock Assembly	
	F977P3	Door Lock Solenoid Replacement Kit	Includes F8340101 Solenoid
1	F8340001	External Door Lock Harness	
2	F430225	Nut	
3	F200203200	Door Lock Microswitch	
4	F320200	Door Lock Splash Shield	
5	F431901	Spacer	
6	F8223202	Door Lock Plate Assembly	
7	F430977	Screw	
8	F8344401	Door Lock Plate Shim	
9	F430956	Screw	
10	F8245001	Door Lock Cover	
11	F8484401	Shim	Models through 9/9/2014 with F8567501 Door Handle Spacer Kit
12	F8344501	Door Lock Catch	
13	F8270701	Bolt	
14	F430264	Nut	
15	F8223401	Door Lock Switch Lever	
16	F8070301	Torsion/Door Lock Spring	
17	F430232	Nut	
18	F431902	Washer	

# Shell Front and Basket



CHM3338P\_F8339301

## Shell Front and Basket

REF	PART NO.	DESCRIPTION	COMMENTS
	389P4	Basket Tool Kit	Purchase; Requires F460126P Bearing Puller Tool
	390P4-1	Basket Rental Tool Kit	Requires F460126P Bearing Puller Tool
	F460129P	Basket Puller Tool	
	F8608502P	Basket Pulley Puller Tool	Use with F460129P Basket Puller Tool
	F8388001	Clamp Ring Assembly	20 pound models; Includes items 5 and 7
	F8388002	Clamp Ring Assembly	30 pound models; Includes items 5 and 7
	F8388003	Clamp Ring Assembly	40 pound models; Includes items 5 and 7
	F8388004	Clamp Ring Assembly	60 pound models; Includes items 5 and 7
	F980204341	Basket and Bearing Assembly	20 pound models; Viton; Includes item 8 and F8271602 Bearing Housing Assembly
	F980204342	Basket and Bearing Assembly	30 pound models; Viton; Includes item 8 and F8271702 Bearing Housing Assembly
	F980204343	Basket and Bearing Assembly	40 pound models; Viton; Includes item 8 and F8271802 Bearing Housing Assembly
	F980204344	Basket and Bearing Assembly	60 pound models; Viton; Includes item 8 and F8271902 Bearing Housing Assembly
<b>1</b>	F8229401	Shell Front Assembly	20 pound models
	F8229501	Shell Front Assembly	30 pound models
	F8229601	Shell Front Assembly	40 pound models
	F8229701	Shell Front Assembly	60 pound models
<b>2</b>	F8513501	Shell Front Gasket Kit	
<b>3</b>	F430215	Nut	
<b>4</b>	F8302701	Pin	
<b>5</b>	F8302402	Clamp Ring Bracket	
<b>6</b>	800462	Screw	
<b>7</b>	F8537801	Shell Band Kit	20 pound models; Includes items 2-6 and 11
	F8537802	Shell Band Kit	30 pound models; Includes items 2-6 and 11
	F8537803	Shell Band Kit	40 pound models; Includes items 2-6 and 11
	F8537804	Shell Band Kit	60 pound models; Includes items 2-6 and 11
<b>8</b>	F8391302	Basket Assembly	20 pound models; Standard; Includes items 9 and 10
	F8391304	Basket	20 pound models; Viton
	F8391502	Basket Assembly	30 pound models; Standard; Includes items 9 and 10
	F8391503	Basket Assembly	30 pound models; Viton
	F8391702	Basket Assembly	40 pound models; Standard; Includes items 9 and 10
	F8391704	Basket	40 pound models; Viton
	F8502802	Basket Assembly	60 pound models; Standard; Includes items 9 and 10
	F8502805	Basket Assembly	60 pound models; Viton
<b>9</b>	F8343901P	Shaft Seal Sleeve Kit	20 pound models; Includes item 10
	F8343904P	Shaft Seal Sleeve Kit	30 pound models; Includes item 10
	F8343906P	Shaft Seal Sleeve Kit	40 pound models; Includes item 10
	F8343909P	Shaft Seal Sleeve Kit	60 pound models; Includes item 10; Use with F8391901 Basket Assembly
	F8343914	Shaft Seal Sleeve	60 pound models; Use with F8502801 Basket Assembly
<b>10</b>	F8336801	Excluder Seal	20 pound models; Standard
	F8336802	Excluder Seal	20 pound models; Viton
	F8336901	Excluder Seal	30 pound models; Standard
	F8336902	Excluder Seal	30 pound models; Viton
	F8337001	Excluder Seal	40 pound models; Standard
	F8337002	Excluder Seal	40 pound models; Viton
	F8337101	Excluder Seal	60 pound models; Standard
	F8527701	Excluder Seal	60 pound models; Viton
<b>11</b>	M400081	Washer	

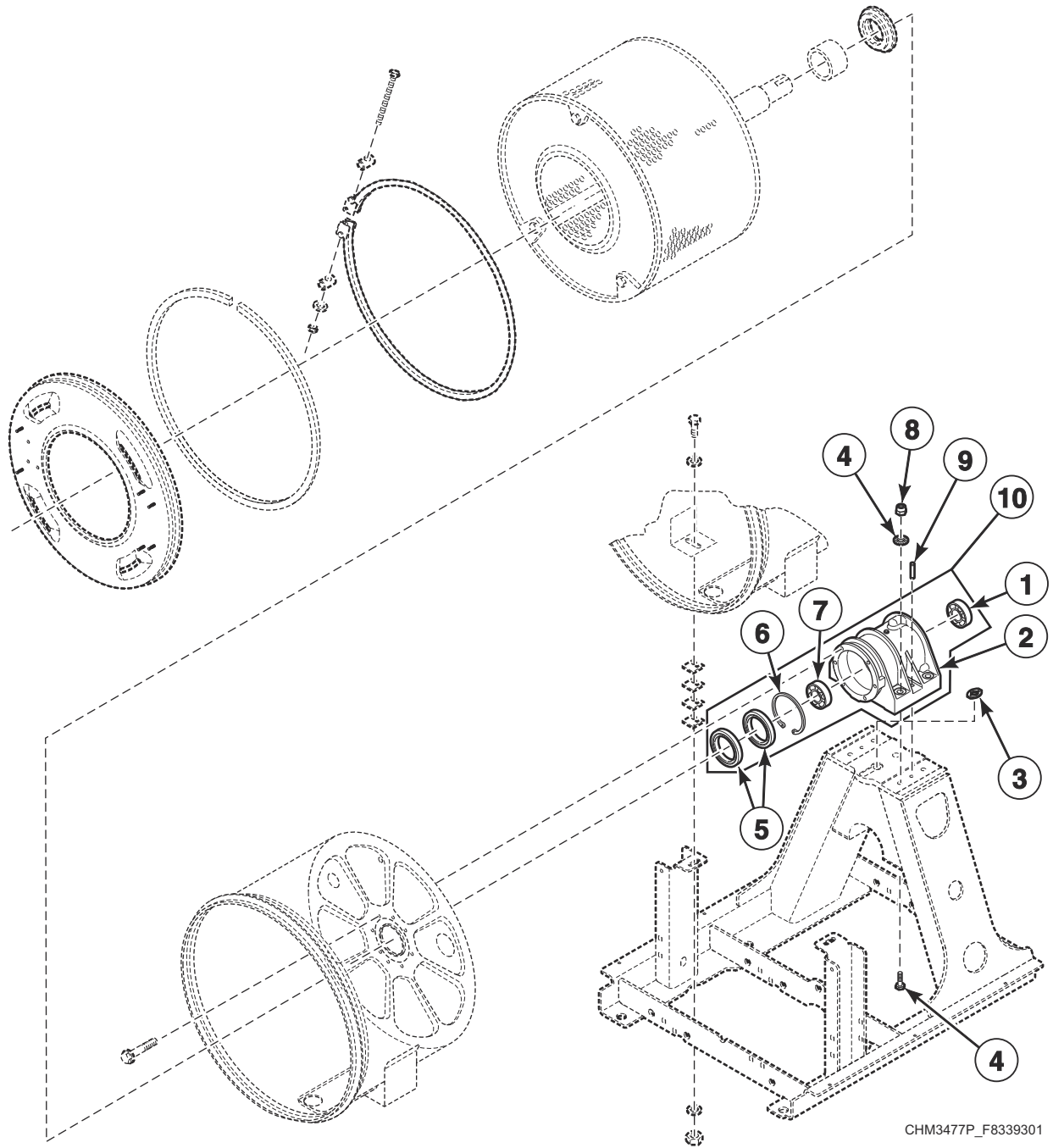




## Bearing Housing - 20 and 30 Pound Models

REF	PART NO.	DESCRIPTION	COMMENTS
	389P4	Basket Tool Kit	Purchase; Requires F460126P Bearing Puller Tool
	390P4-1	Basket Rental Tool Kit	Requires F460126P Bearing Puller Tool
	F460129P	Basket Puller Tool	
	F8608502P	Basket Pulley Puller Tool	Use with F460129P Basket Puller Tool
	F980204341	Basket and Bearing Assembly	20 pound models; Viton; Includes item 11 and F8391304 Basket Assembly
	F980204342	Basket and Bearing Assembly	30 pound models; Viton; Includes item 11 and F8391503 Basket Assembly
<b>1</b>	F100137P	Bearing	20 pound models; 6308 2RS C3; Front
	F100123P	Bearing	30 pound models; 6309 2RS C3; Front
<b>2</b>	F8744401R	Bearing Housing	20 pound models
	F8246802	Bearing Housing	30 pound models
<b>3</b>	F8350301	Seal Scupper Pad	
<b>4</b>	F8366601	Washer	20 pound models
<b>5</b>	F8368701	Screw	20 pound models
	F8368801	Screw	30 pound models
<b>6</b>	F8203801	Triple Lip Seal	20 pound models; Standard
	F8203813	Triple Lip Seal	20 pound models; Viton
	F8203802	Triple Lip Seal	30 pound models; Standard
	F8203814	Triple Lip Seal	30 pound models; Viton
<b>7</b>	F8344901	Retaining Ring	20 pound models
	F8345001	Retaining Ring	30 pound models
<b>8</b>	F100136P	Bearing	20 pound models; 6307 2RS C3; Rear
	F100108	Bearing	30 pound models; Rear
<b>9</b>	F8387601	Nut	20 pound models
	F8387701	Nut	30 pound models
<b>10</b>	F8388101	Dowel Pin	20 pound models
	F8388201	Dowel Pin	30 pound models
<b>11</b>	F8271601P	Bearing Housing Assembly	20 pound models; Standard
	F8271602	Bearing Housing Assembly	20 pound models; Viton
	F8271701P	Bearing Housing Assembly	30 pound models; Standard
	F8271702	Bearing Housing Assembly	30 pound models; Viton

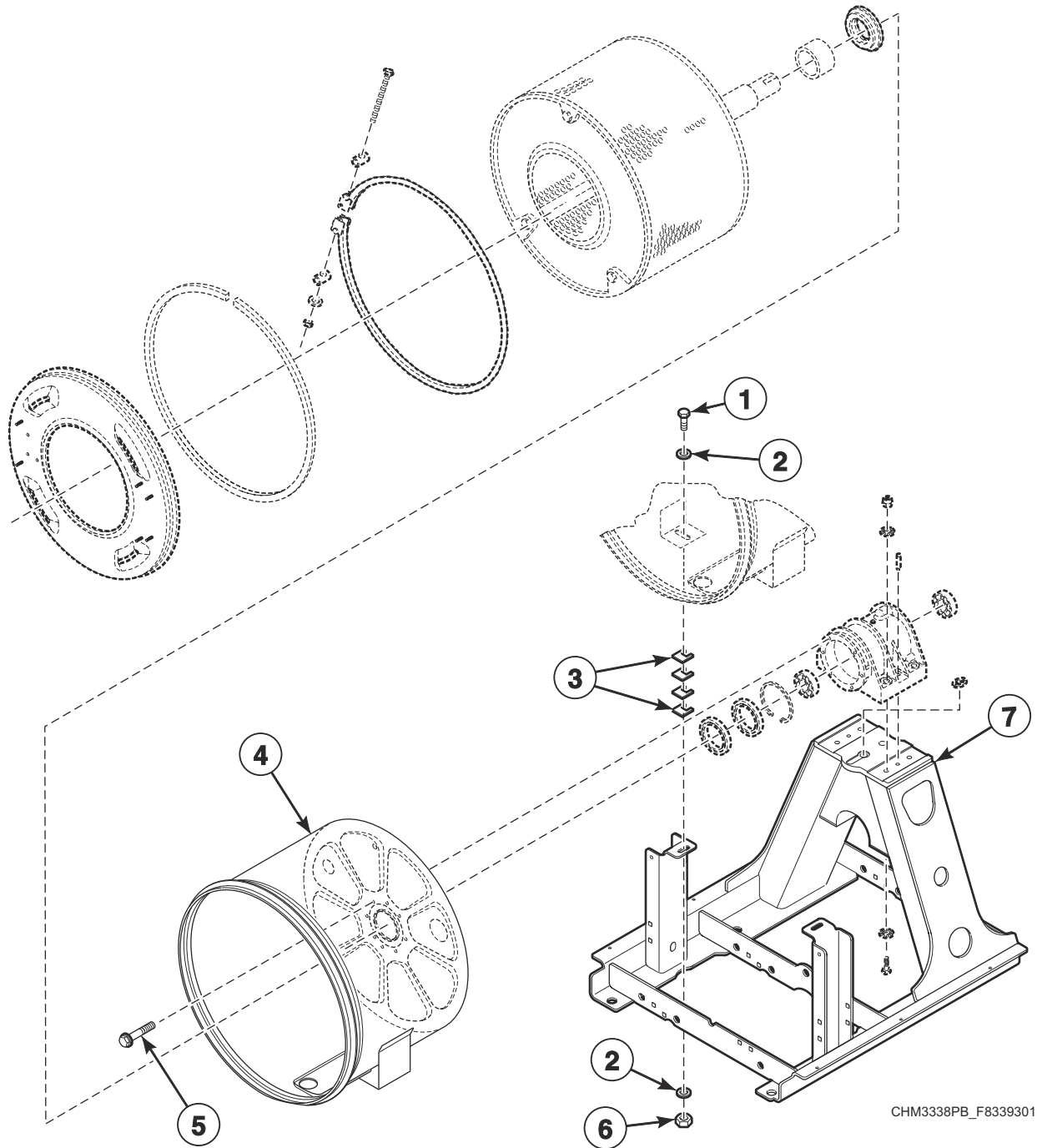
# Bearing Housing - 40 and 60 Pound Models



## Bearing Housing - 40 and 60 Pound Models

REF	PART NO.	DESCRIPTION	COMMENTS
	389P4	Basket Tool Kit	Purchase; Requires F460126P Bearing Puller Tool
	390P4-1	Basket Rental Tool Kit	Requires F460126P Bearing Puller Tool
	F460129P	Basket Puller Tool	
	F8608502P	Basket Pulley Puller Tool	Use with F460129P Basket Puller Tool
	F980204343	Basket and Bearing Assembly	40 pound models; Viton; Includes item 11 and F8391704 Basket Assembly
	F980204344	Basket and Bearing Assembly	60 pound models; Viton; Includes item 11 and F8502804 Basket Assembly
<b>1</b>	F100137P	Bearing	40 pound models; 6308 2RS C3; Front
	F100135	Bearing	60 pound models; 6313 2RS C3; Front
<b>2</b>	F8744601R	Bearing Housing	40 pound models
	F8250902	Bearing Housing	60 pound models
<b>3</b>	F8350302	Seal Scupper Pad	40 pound models
	F8350303	Seal Scupper Pad	60 pound models
<b>4</b>	F8368801	Screw	40 pound models
	F8368901	Screw	60 pound models
<b>5</b>	F8203803	Triple Lip Seal	40 pound models; Standard
	F8203815	Triple Lip Seal	40 pound models; Viton
	F8203806	Triple Lip Seal	60 pound models; Standard
	F8203808	Radial Seal	60 pound models; Viton
<b>6</b>	F8337801	Retaining Ring	40 pound models
	F8337901	Retaining Ring	60 pound models
<b>7</b>	F100134	Bearing	6310 2RS C3; Rear
<b>8</b>	F8387701	Nut	40 pound models
	F8387801	Nut	60 pound models
<b>9</b>	F8388201	Dowel Pin	
<b>10</b>	F8271801P	Bearing Housing Assembly	40 pound models; Standard
	F8271802	Bearing Housing Assembly	40 pound models; Viton
	F8271901P	Bearing Housing Assembly	60 pound models; Standard
	F8271902	Bearing Housing Assembly	60 pound models; Viton

# Shell and Frame

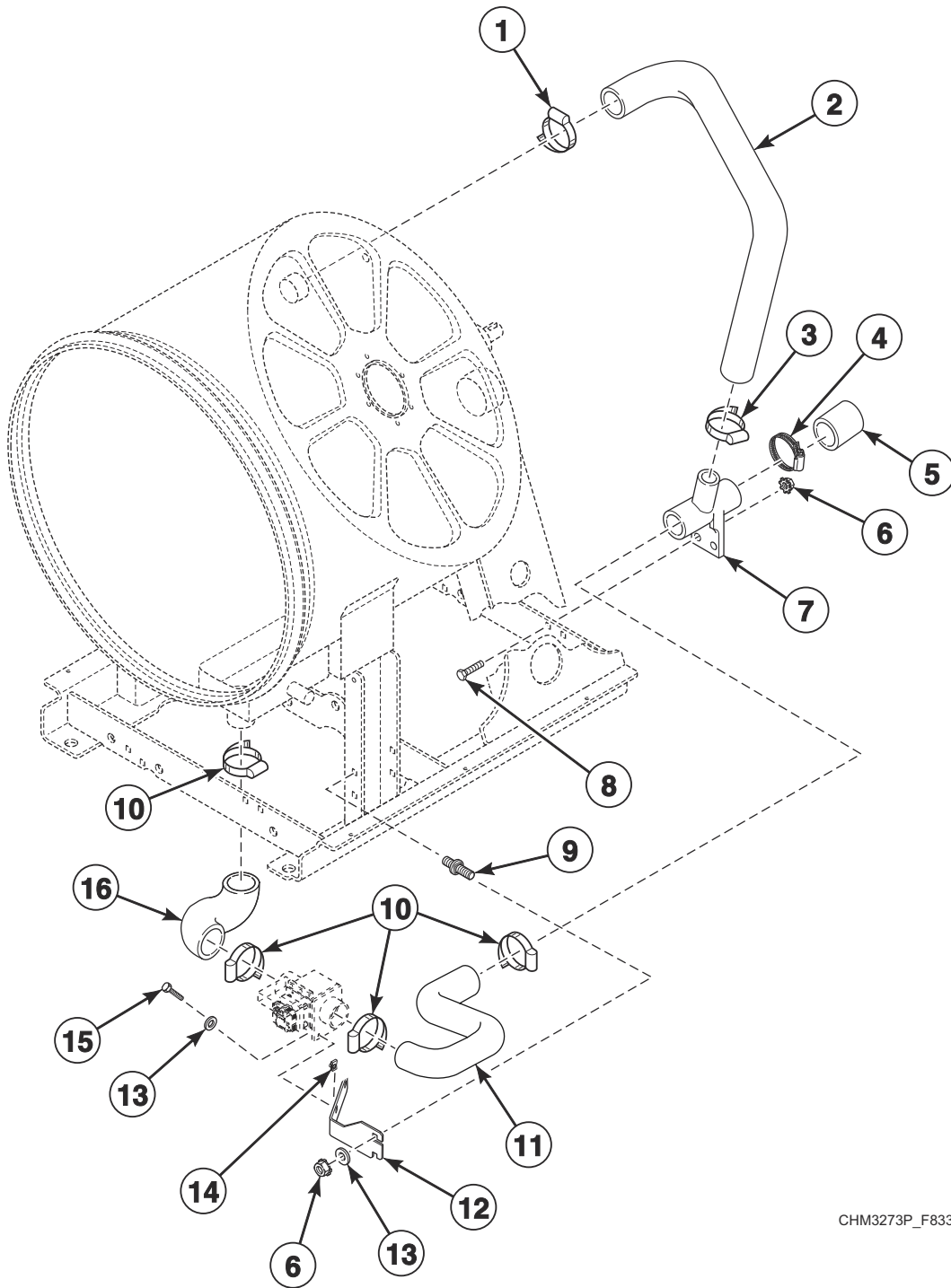


CHM3338PB\_F8339301

## Shell and Frame

REF	PART NO.	DESCRIPTION	COMMENTS
	1111P	Concrete Kit	5/8 inch
	F8433301	Frame Template	20 pound models
	F8433401	Frame Template	30 pound models
	F8433501	Frame Template	40 pound models
	F8433601	Frame Template	60 pound models
<b>1</b>	F8621601	Screw	
<b>2</b>	M400081	Washer	
<b>3</b>	F8402701	Washer	
<b>4</b>	F8360603	Shell Weldment	20 pound models; Standard
	F8360602	Shell Weldment	20 pound models; Electric and steam heat
	F8360703	Shell Weldment	30 pound models; Standard
	F8360702	Shell Weldment	30 pound models; Electric and steam heat
	F8360803	Shell Weldment	40 pound models; Standard
	F8360802	Shell Weldment	40 pound models; Electric and steam heat
	F8360903	Shell Weldment	60 pound models; Standard
	F8360902	Shell Weldment	60 pound models; Electric and steam heat
<b>5</b>	F8442702	Screw	
<b>6</b>	44087301	Nut	
<b>7</b>	F8247002	Frame Weldment	20 pound models
	F8248002	Frame Weldment	30 pound models
	F8249001	Frame Weldment	40 pound models
	F8250002	Frame Weldment	60 pound models

# Drain Plumbing

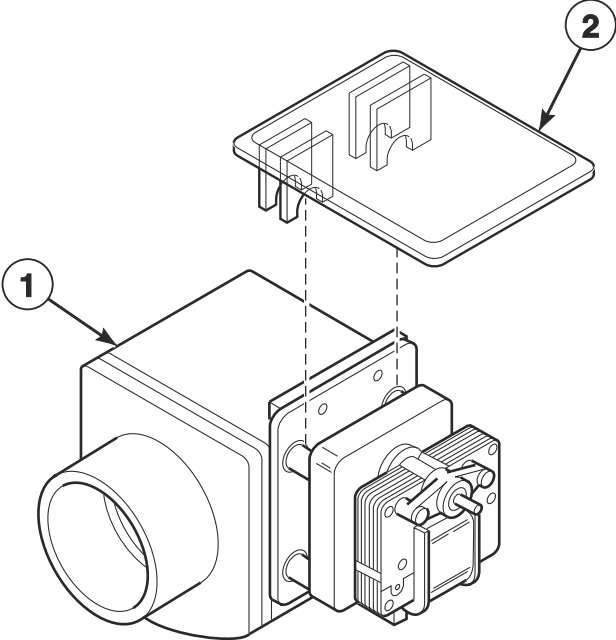


CHM3273P\_F8339301

## Drain Plumbing

REF	PART NO.	DESCRIPTION	COMMENTS
1	F200213	Hose Clamp	No. 40
2	F8367901	Overflow Hose	20 pound models
	F8368001	Overflow Hose	30 pound models
	F8367201	Overflow Hose	40 and 60 pound models
3	F200215	Hose Clamp	No. 28; 20 and 30 pound models
	F200213	Hose Clamp	No. 40; 40 and 60 pound models
4	F200201	Hose Clamp	No. 56; 40 and 60 pound models
5	F200165100	Drain Hose	40 and 60 pound models
6	44087201	Nut	
7	F8017101	Drain Connector Tee	20 and 30 pound models
	F8752101	Drain Tee	40 and 60 pound models
8	F430522	Bolt	No. 40; 20 and 30 pound models
	F8402801	Bolt	No. 56; 40 and 60 pound models
9	70334702	Stud	
10	F200213	Hose Clamp	No. 40; 20 and 30 pound models
	F200201	Hose Clamp	No. 56; 40 and 60 pound models
11	F8365601	Rear Drain Hose	20 pound models
	F8365602	Rear Drain Hose	30 pound models
	F8231904	Rear Drain Hose	40 pound models
	F8231905	Rear Drain Hose	60 pound models
12	F8365401	Bracket	20 pound models
	F8365402	Bracket	30 pound models
	F8434601	Bracket	40 pound models
	F8434701	Bracket	60 pound models
13	M405535	Washer	
14	70030401	Nut	
15	202175	Screw	
16	F8261302	Drain Hose	20 and 30 pound models
	F8261303	Drain Hose	20 and 30 pound models; Electric heat
	F8232901	Drain Hose	40 and 60 pound models
	F8464701	Drain Hose	40 and 60 pound models; Electric heat

# Drain Valve Assembly - 20 and 30 Pound Models



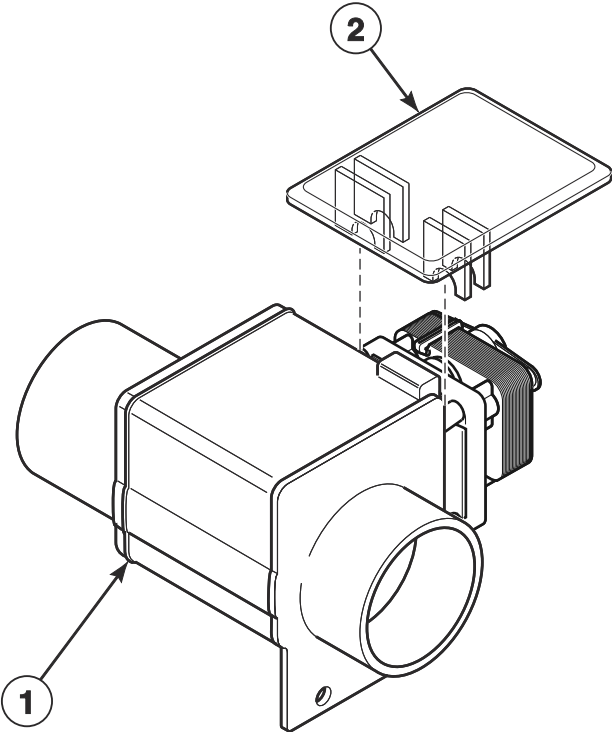
CHM3547P



## Drain Valve Assembly - 20 and 30 Pound Models

REF	PART NO.	DESCRIPTION	COMMENTS
	F8504601	Spring	Use with item 1
1	803292P	Gravity Drain Valve	220 Volt
	803293P	Gravity Drain Valve	120 Volt
2	F200133600	Drain Valve Cover	

# Drain Valve Assembly - 40 and 60 Pound Models

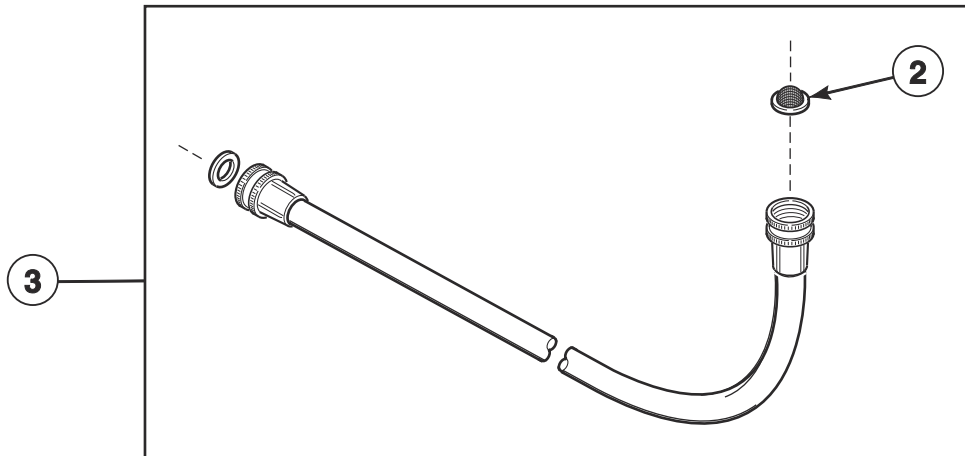
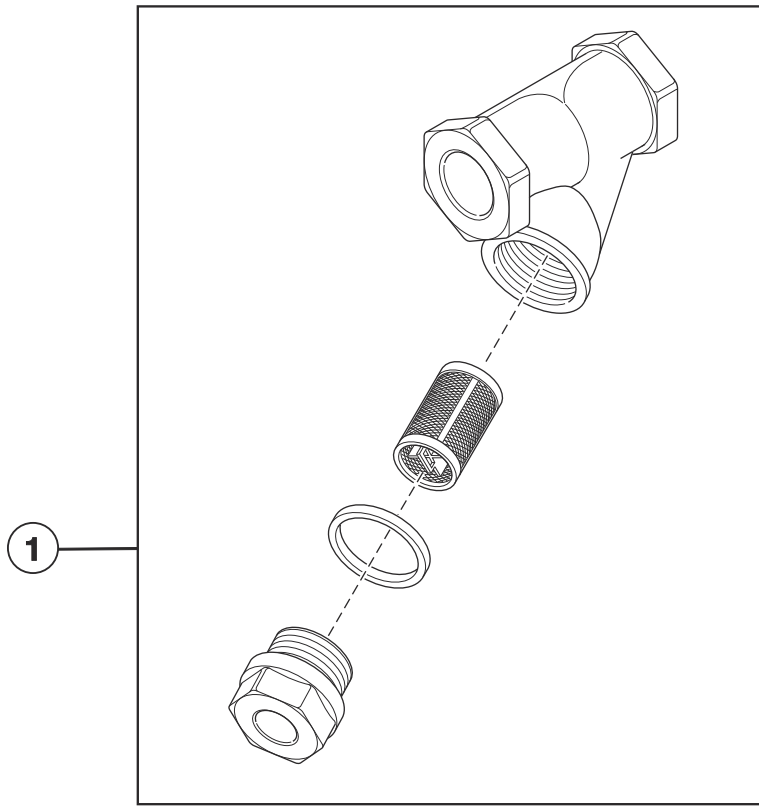


CHM3546P

## Drain Valve Assembly - 40 and 60 Pound Models

REF	PART NO.	DESCRIPTION	COMMENTS
	F200215	Hose Clamp	No. 28
	F8562001	Drain Seal Kit	Use with F8602602 Drain Valve
<b>1</b>	F8602602	Drain Valve	
<b>2</b>	F200133600	Drain Valve Cover	

# Steam Filter (Optional) and Water Supply Hose

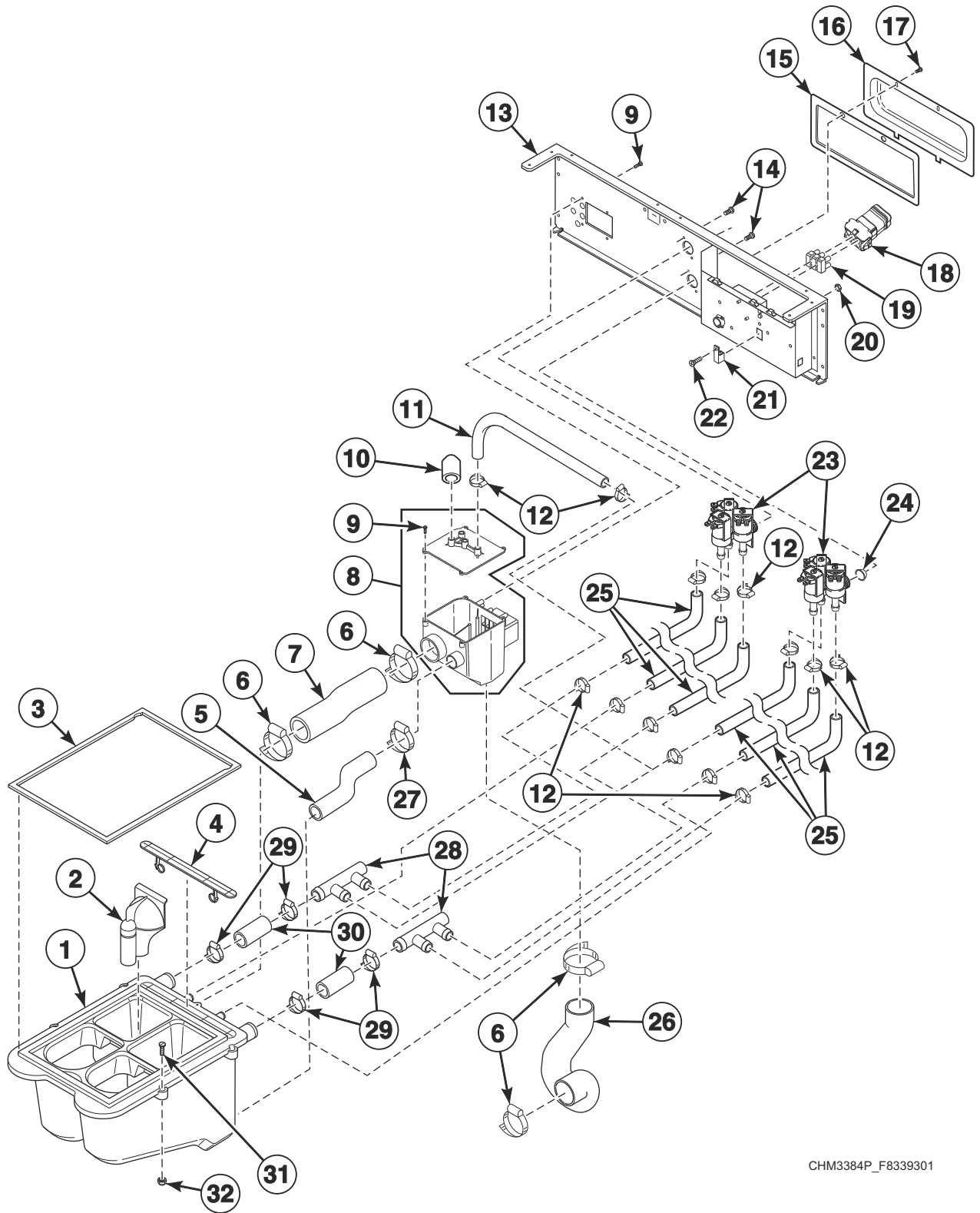


CHM3049P\_F8339301

## Steam Filter (Optional) and Water Supply Hose

REF	PART NO.	DESCRIPTION	COMMENTS
1	F270307	Steam Filter	1/2 inch
	F270308	Steam Filter	3/4 inch
2	803615	Washer	Filter
3	F8665601	Water Hose Kit	Includes item 2; 3/8 inch; Standard thread; Red (hot)
	F8665603	Water Hose Kit	Includes item 2; 3/8 inch; Standard thread; Blue (cold)
	F8665602	Water Hose Kit	Includes item 2; 3/8 inch; Metric thread; Red (hot)
	F8665604	Water Hose Kit	Includes item 2; 3/8 inch; Metric thread; Blue (cold)
	F8544601	Fill Hose Kit	WRAS models; Includes F8301201 Double Check Valve and F8665602 Water Hose Kit

# Fill Plumbing Assembly



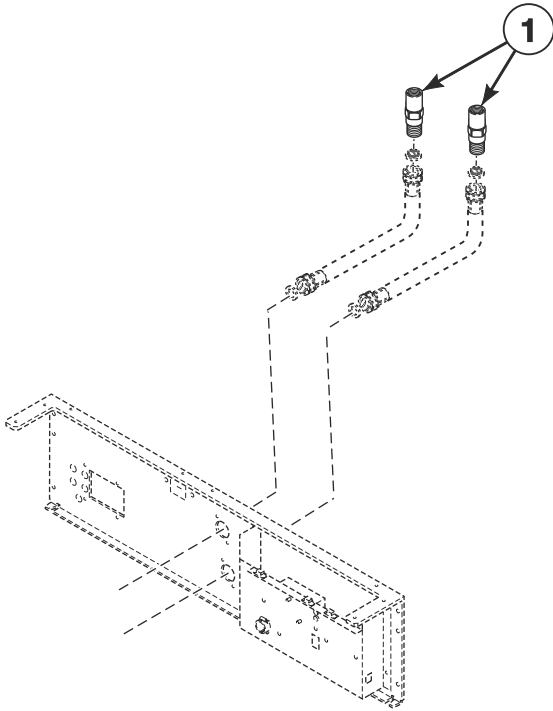
CHM3384P\_F8339301

## Fill Plumbing Assembly

REF	PART NO.	DESCRIPTION	COMMENTS
	G582P3	Diaphragm and Guide Kit	Use with F8286401P 3-Way Valve and F8286402P 3-Way Valve
	F8402201	Regulator	Use with F8286401P 3-Way Valve
1	F8047401	Dispenser Assembly	Includes items 2 and 4; Models through 10/15/2012
	F8047402	Dispenser Assembly	Includes items 2 and 4; Models starting 10/16/2012
2	F8047901	Siphon Cover	
3	F8308301	Dispenser Gasket	
4	F8047801	Access Cover	
5	F8043401	Dispenser Overflow Hose	20 pound models
	F8043403	Dispenser Overflow Hose	30 pound models
	F8043404	Dispenser Overflow Hose	40 pound models
	F8043405	Supply Overflow Hose	60 pound models
6	F200213	Hose Clamp	No. 40
7	F8042801	Vacuum Supply Hose	20 pound models
	F8042803	Vacuum Supply Hose	30 pound models
	F8042804	Vacuum Supply Hose	40 pound models
	F8042805	Vacuum Supply Hose	60 pound models
8	F8048601	Vacuum Breaker Assembly	Includes item 9
9	800548	Screw	
10	F8197701	Cap	Vinyl
11	F0200244-01	Vacuum Breaker Hose	60 pound models
	F0200244-02	Vacuum Breaker Hose	All other models
12	36801	Hose Clamp	No. 8
13	F8398701	Valve Panel	20 pound models
	F8398801	Valve Panel	30 pound models
	F8398901	Valve Panel	40 pound models
	F8399001	Valve Panel	60 pound models
14	F8230301	Screw	
15	F8230001	Terminal Tray Cover Gasket	
16	F8177001	Terminal Tray Cover	
17	F8206901	Screw	
18	F8454401	Filter	B, N and P-voltage
	F8454601	Harness	B, N and P-voltage
19	430642	Terminal Block	Includes screws
20	F430232	Nut	
21	M411283	Ground Lug Connector	
22	F430909	Screw	
23	F8286401P	3-Way Valve	240 Volt/50 or 60 Hertz; U.S.
	F8286402P	3-Way Valve	240 Volt/50 or 60 Hertz; Metric
24	803615	Washer	Filter
25	F8232004	Hose	20 pound models
	F8232001	Hose	30 pound models
	F8232002	Hose	40 and 60 pound models
26	F8042201	P-Trap Hose	20 pound models
	F8042202	P-Trap Hose	30 pound models
	F8042204	P-Trap Hose	40 pound models
	F8042301	P-Trap Hose	60 pound models
27	20211	Hose Clamp	No. 17
28	F8333201	Manifold	
29	F200222	Hose Clamp	No. 12
30	F606816-1	Hose	
31	F8535601	Screw	
32	F0431807-00	Nut	

# Double Check Valve

WRAS Compliant Models



CHM3393P\_F8339301

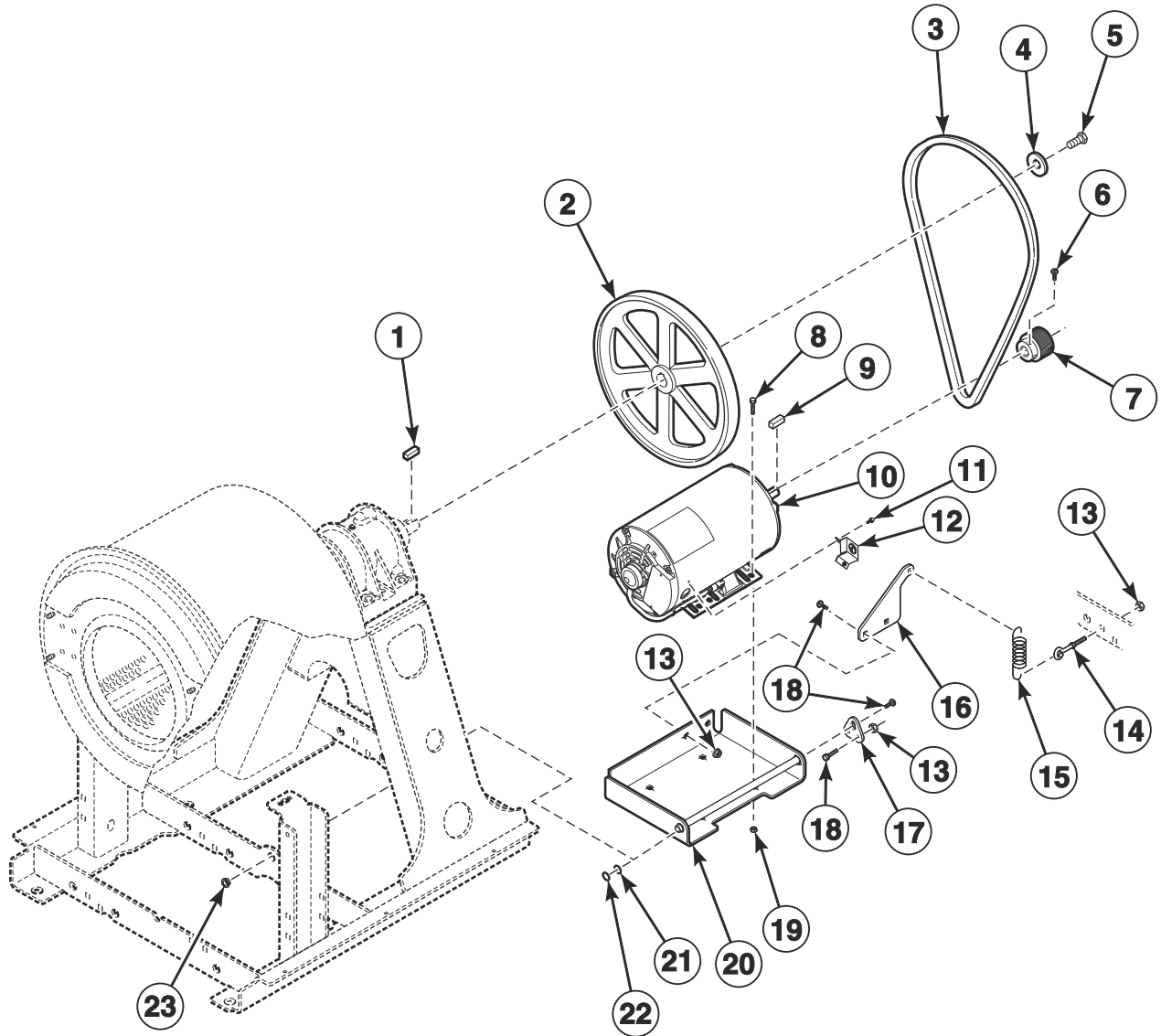


# Double Check Valve

REF	PART NO.	DESCRIPTION	COMMENTS
1	F8301201	Double Check Valve	

# Motor, Pulley and Belt (Drawing 1 of 3)

20 Pound Models with N and P-Voltage, 30, 40 and 60 Pound Models Through September 30, 2014



CHM3385P\_F8339301

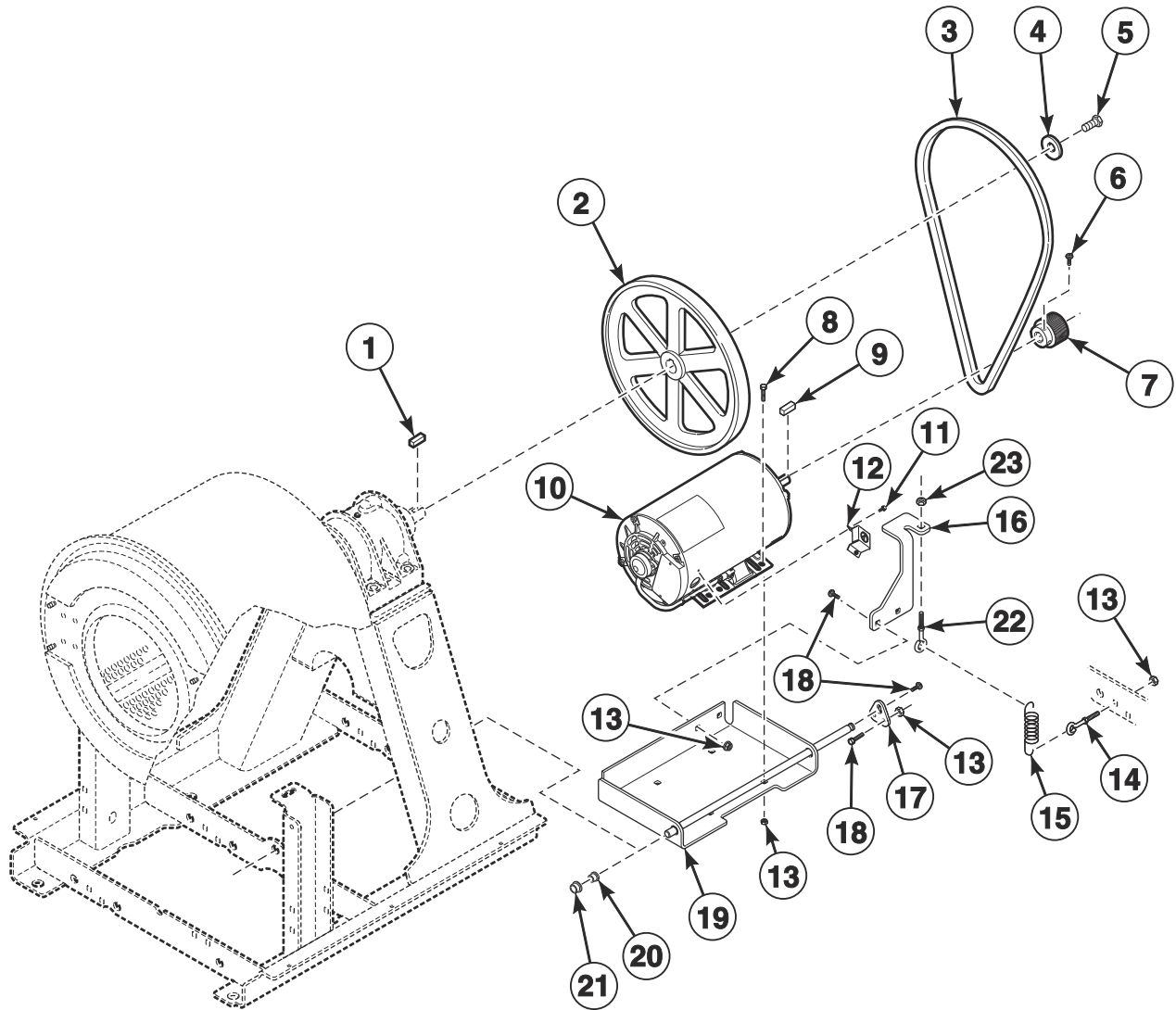
## Motor, Pulley and Belt (Drawing 1 of 3)

REF	PART NO.	DESCRIPTION	COMMENTS
	F8396601	Motor Harness	30 and 40 pound models N and P-voltage; 20 and 60 pound models
	F8384901	Motor Harness	30 and 40 pound models; Q and X-voltage
1	F430801	Key	
2	F150270	Basket Pulley	20 pound models
	F150269	Basket Pulley	30 and 40 pound models
	F200299700	Basket Pulley	60 pound models
3	F200201700P	Belt	20 pound models
	F8382803	Belt	30 pound models
	F8382804	Belt	40 pound models
	F8382805	Belt	60 pound models
4	F431115	Washer	
5	F8574001	Screw	
6	M400077	Screw	
7	F8362501	Motor Pulley	
8	800461	Screw	
9	H8752006H	Key	
10	F8335001P	Motor	20, 30 and 40 pound models
	F8335101P	Motor	60 pound models
11	23222	Screw	
12	70321701	Motor Conduit Mounting Bracket	
13	44087201	Nut	
14	F8748601	Spring Stud Kit	Used to replace F8351902 Eye Bolt
15	F310124	Extension Spring	
16	F8363901	Spring Plate	
17	F8441101	Motor Rod Plate	
18	F8402801	Bolt	
19	F8387601	Nut	
20	F8441601	Motor Bracket Weldment	20 and 30 pound models
	F8562501	Motor Isolation Kit	20 and 30 pound models; Includes F8535001 Motor Plate and F8535201 Isolator; Use with 2 hp motor
	F8562502	Motor Isolation Kit	40 and 60 pound models; Includes F8535002 Motor Plate and F8535201 Isolator; Use with 2 and 3 hp motors
21	F8441901	O-Ring	
22	F8333301	Flanged Bushing	
23	F8451601	Spacer	

**\*\* NOTE: AC drive parameters must be compatible with the motor and motor pulley. Please request the AC drive parameter illustration for parameter verification when ordering a motor.**

# Motor, Pulley and Belt (Drawing 2 of 3)

20 Pound Models with N and P-Voltage; 30, 40 and 60 Pound Models Starting October 1, 2014



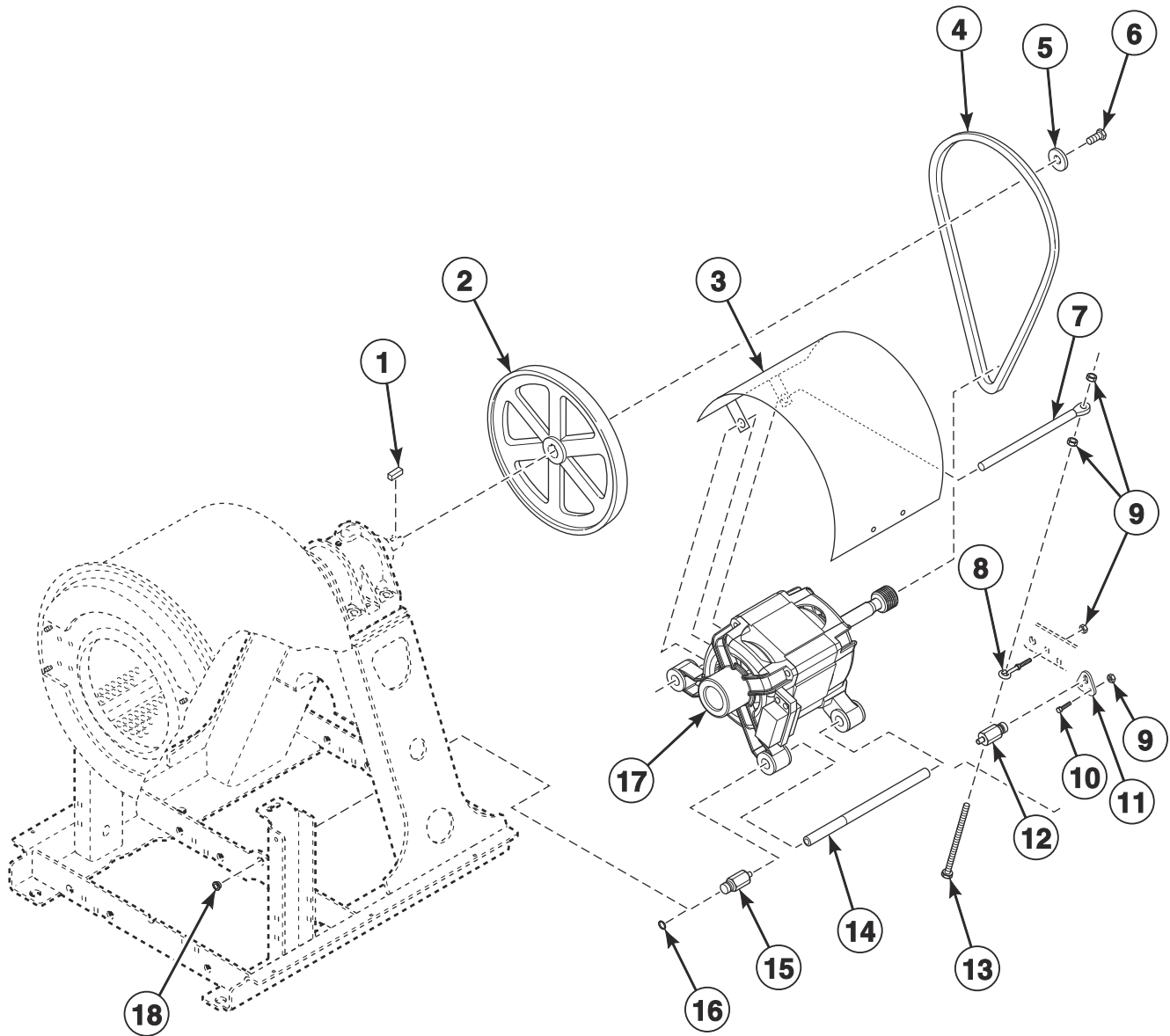
CHM3446P\_F8339301

## Motor, Pulley and Belt (Drawing 2 of 3)

REF	PART NO.	DESCRIPTION	COMMENTS
	F8562501	Motor Isolation Kit	20 and 30 pound models; Includes F8535001 Motor Plate and F8535201 Isolator; Use with 2 hp motor
	F8562502	Motor Isolation Kit	40 and 60 pound models; Includes F8535002 Motor Plate and F8535201 Isolator; Use with 2 hp motors
	F8396601	Motor Harness	30 and 40 pound models N and P-voltage; 20 and 60 pound models
	F8384901	Motor Harness	30 and 40 pound models; Q and X-voltage
<b>1</b>	F430801	Key	
<b>2</b>	F150270	Basket Pulley	20 pound models
	F150269	Basket Pulley	30 and 40 pound models
	F200299700	Basket Pulley	60 pound models
<b>3</b>	F200201700P	Belt	20 pound models
	F8382803	Belt	30 pound models
	F8382804	Belt	40 pound models
	F8382805	Belt	60 pound models
<b>4</b>	F431115	Washer	
<b>5</b>	F8574001	Screw	
<b>6</b>	M400077	Screw	
<b>7</b>	F8362501	Motor Pulley	
<b>8</b>	F8402801	Bolt	
<b>9</b>	H8752006H	Key	
<b>10</b>	F8335001P	Motor	20, 30 and 40 pound models
	F8335101P	Motor	60 pound models
<b>11</b>	23222	Screw	
<b>12</b>	70321701	Motor Conduit Mounting Bracket	
<b>13</b>	44087201	Nut	
<b>14</b>	F8748601	Spring Stud Kit	Used to replace F8351902 Eye Bolt
<b>15</b>	F310124	Extension Spring	
<b>16</b>	F8525801	Spring Plate	
<b>17</b>	F8441101	Motor Rod Plate	
<b>18</b>	F8402801	Bolt	
<b>19</b>	F8441603	Motor Bracket Weldment	20 and 30 pound models
	F8589002	Motor Bracket Weldment	40 and 60 pound models
<b>20</b>	F8535202	Flanged Isolator	
<b>21</b>	F8333302	Flanged Bushing	
<b>22</b>	F8391504	Eye Bolt	
<b>23</b>	44087301	Nut	

# Motor, Pulley and Belt (Drawing 3 of 3)

20 Pound Models with B, Q and X-Voltage



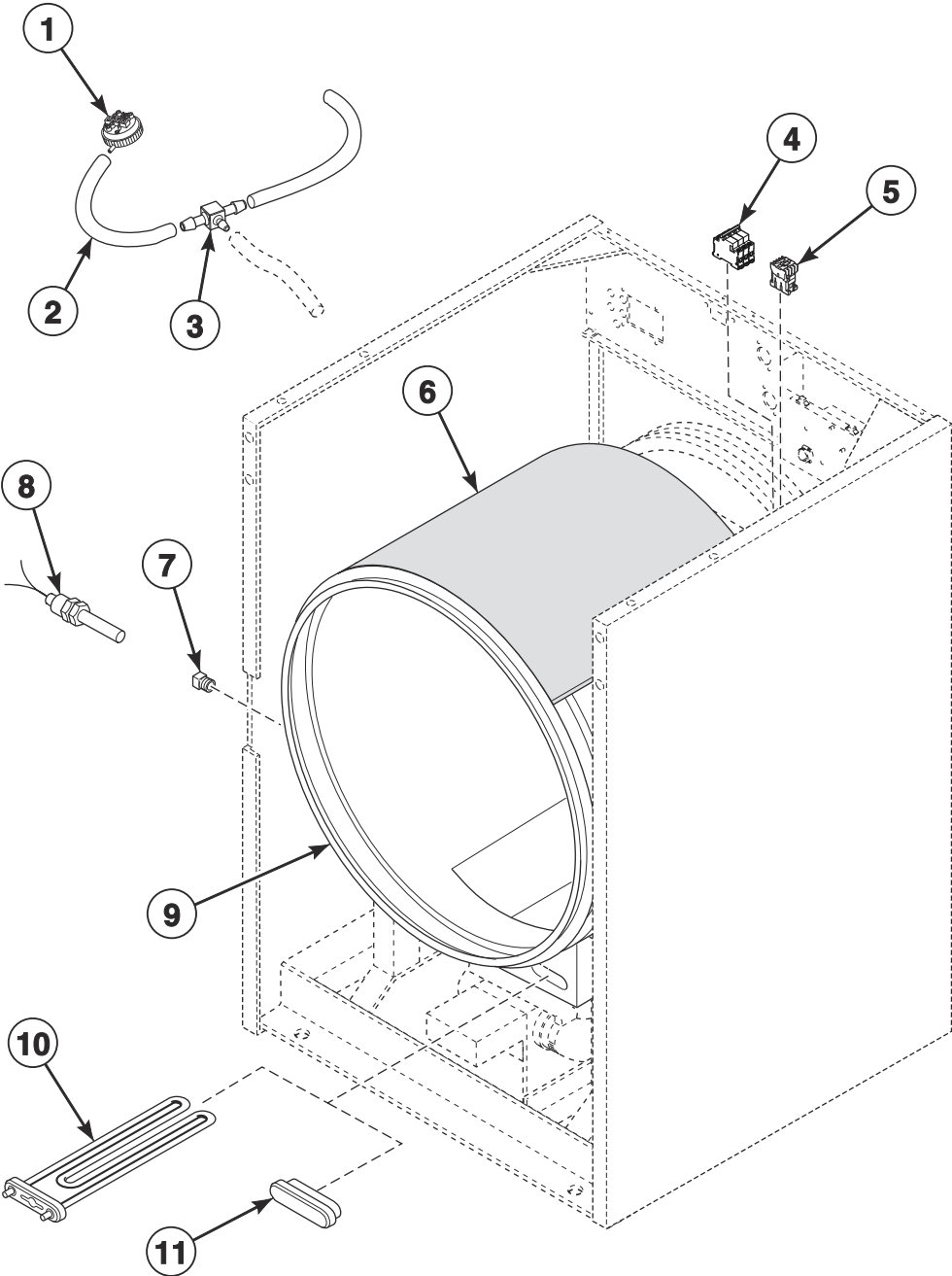
CHM3450P\_F8339301

## Motor, Pulley and Belt (Drawing 3 of 3)

REF	PART NO.	DESCRIPTION	COMMENTS
	F8384801	Motor Harness	
1	F430801	Key	
2	F150270	Basket Pulley	
3	F200216900	Motor Drip Shield	
4	F8382801	Belt	
5	F431115	Washer	
6	F8574001	Screw	
7	F8361301	Spring Mount Rod	
8	F8404501	Eye Bolt	
9	44087201	Nut	
10	F8402801	Bolt	
11	F8441101	Motor Rod Plate	
12	F8387101	Motor Rod Extension	
13	F8406601	Screw	
14	801062	Motor Mount Rod	
15	F8562504	Motor Isolation Kit	Includes F8387104 Motor Rod Adaptor and F8535201 Isolator
16	F8333302	Flanged Bushing	
17	801194P	Induction Motor	Includes pulley
18	F8451601	Spacer	

**\*\* NOTE: AC drive parameters must be compatible with the motor and motor pulley. Please request the AC drive parameter illustration for parameter verification when ordering a motor.**

# Electric Heat Option



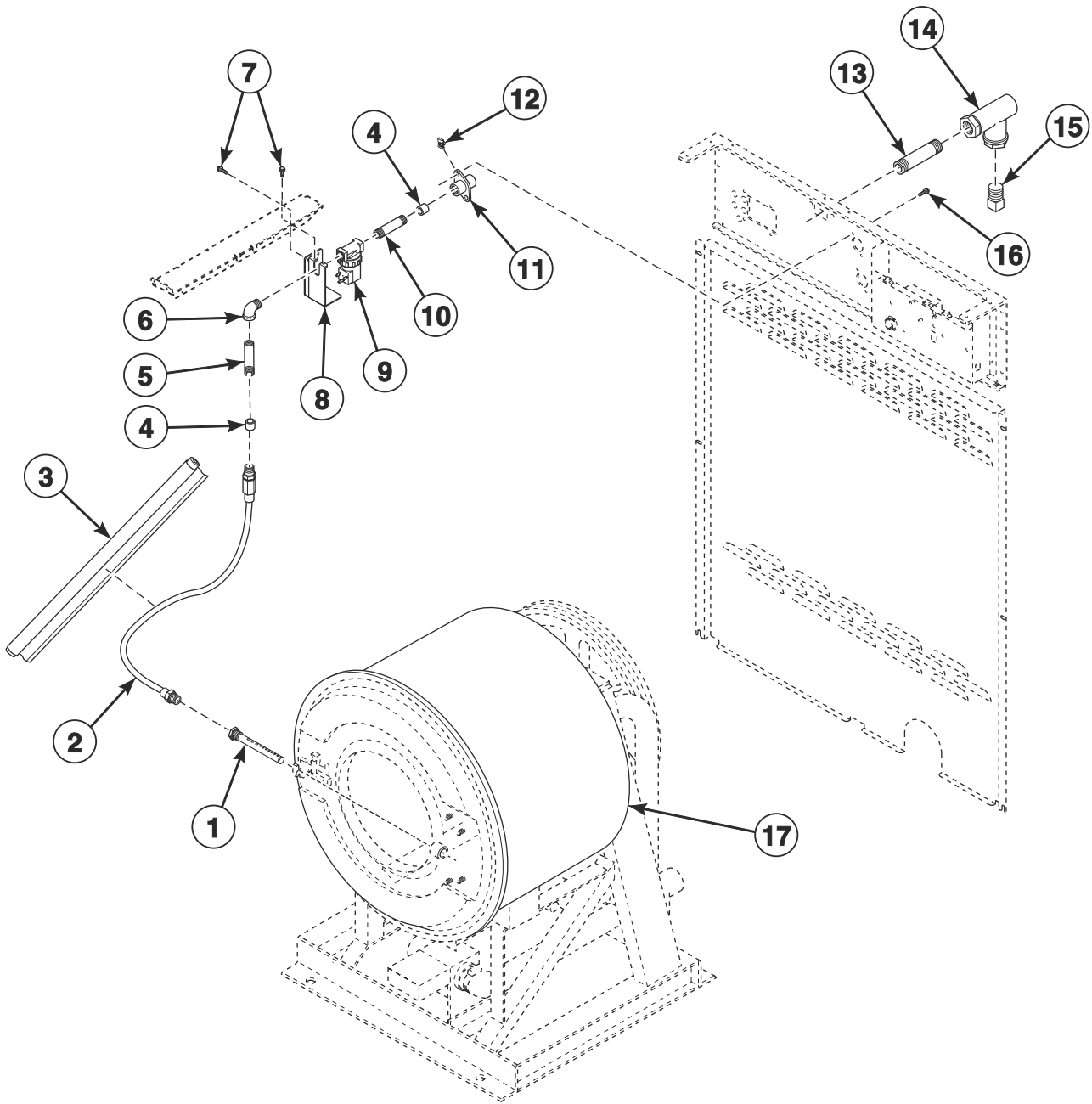
CHM3429P\_F8339301



## Electric Heat Option

REF	PART NO.	DESCRIPTION	COMMENTS
	F8056001	Jumper Wire	Models with P-voltage require 5; Models with N-voltage require 3
1	F8404401	Water Pressure Switch	
2	F8153901	Tubing	
3	F8246601	Tee	
4	70256901P	Circuit Breaker	
5	F330188P	Contactator	
6	F410300	Pipe Insulation	
7	F200202600	Plug	
8	F370609	Thermistor Sensor	
9	F8360602	Shell Weldment	20 pound models
	F8360702	Shell Weldment	30 pound models
	F8360802	Shell Weldment	40 pound models
	F8360902	Shell Weldment	60 pound models
10	F360205P	Element	2.6 kW; 12 used in 20 and 30 pound models; 30 used in 40 and 60 pound models
11	F360202	Heating Element Plug	

# Steam Heat Option



CHM3404P\_F8339301

## Steam Heat Option

REF	PART NO.	DESCRIPTION	COMMENTS
	F953P3	Steam Heat Kit	Includes items 1-6, 8-11, 13-16, F421703 Street Elbow, 430497 Screw, F8025201 Washer, F8025301 Screw, F8115601 Cord Assembly, hardware and labels
	F380984P	Steam Valve Repair Kit	Use with item 9
	F8514601P	Coil	Use with F8322801 Valve
	F8379501P	Valve Kit	Use with F8322801 Valve
	F8382301	DIN Valve Adapter Kit	Use with F8322801 Valve
<b>1</b>	F8368201	Steam Injector Tube Assembly	
<b>2</b>	F200197	Steam Hose	60 pound models
<b>3</b>	F8233703	Insulation	9 inches
	F8233705	Pipe Insulation	18 inches
	F410300	Pipe Insulation	36 inches
<b>4</b>	F8116301	Coupling	60 pound models require 2
<b>5</b>	70139601	Pipe Nipple	60 pound models
<b>6</b>	H86070034	Street Elbow	
<b>7</b>	F8206901	Screw	
<b>8</b>	F8490301	Steam Bracket	
<b>9</b>	F8322801P	Valve	Includes F8514601 Coil; For models that have been upgraded with F8521601 DIN Valve Kit
	F8521501	DIN Valve Kit	Includes F8322801 Valve, F8382301 DIN Valve Adapter Kit and F8514601 Coil
<b>10</b>	70263801	Pipe Nipple	
<b>11</b>	F8362701	Coupling	
<b>12</b>	70030401	Nut	
<b>13</b>	431486	Pipe Nipple	
<b>14</b>	F270307	Steam Filter	
<b>15</b>	F420409	Plug	
<b>16</b>	20253	Screw	
<b>17</b>	F8360602	Shell Weldment	20 pound models
	F8360702	Shell Weldment	30 pound models
	F8360802	Shell Weldment	40 pound models
	F8360902	Shell Weldment	60 pound models



# Parts Index

## A

Access Cover	
F8047801 .....	53
Auxiliary Control Assembly	
F8189401P .....	11

## B

Basket	
F8391304 .....	37
F8391704 .....	37
Basket and Bearing Assembly	
F980204341 .....	37, 39
F980204342 .....	37, 39
F980204343 .....	37, 41
F980204344 .....	37, 41
Basket Assembly	
F8391302 .....	37
F8391502 .....	37
F8391503 .....	37
F8391702 .....	37
F8502802 .....	37
F8502805 .....	37
Basket Puller Tool	
F460129P .....	37, 39, 41
Basket Pulley	
F150269 .....	57, 59
F150270 .....	57, 59, 61
F200299700 .....	57, 59
Basket Pulley Puller Tool	
F8608502P .....	37, 39, 41
Basket Rental Tool Kit	
390P4-1 .....	37, 39, 41
Basket Tool Kit	
389P4 .....	37, 39, 41
Bearing	
F100108 .....	39
F100123P .....	39
F100134 .....	41
F100135 .....	41
F100136P .....	39
F100137P .....	39, 41
Bearing Housing	
F8246802 .....	39
F8250902 .....	41
F8744401R .....	39
F8744601R .....	41
Bearing Housing Assembly	
F8271601P .....	39
F8271602 .....	39
F8271701P .....	39
F8271702 .....	39
F8271801P .....	41
F8271802 .....	41
F8271901P .....	41
F8271902 .....	41
Bearing Sleeve	
F8221701 .....	23, 25, 27, 29, 31, 33

Belt	
F200201700P .....	57, 59
F8382801 .....	61
F8382803 .....	57, 59
F8382804 .....	57, 59
F8382805 .....	57, 59

Blind Rivet	
F8245101 .....	23, 25, 27, 29, 31, 33

Bolt	
F430522 .....	45
F430974 .....	23, 25, 27, 29, 31, 33
F8230501 .....	21
F8270701 .....	35
F8402801 .....	45, 57, 59, 61
F8508101 .....	23, 25, 27, 29, 31, 33

Bracket	
F8365401 .....	45
F8365402 .....	45
F8434601 .....	45
F8434701 .....	45
F8599801 .....	11

## C

Cap	
F8197701 .....	53
Circuit Breaker	
70256901P .....	13, 63
Clamp Ring Assembly	
F8388001 .....	37
F8388002 .....	37
F8388003 .....	37
F8388004 .....	37
Clamp Ring Bracket	
F8302402 .....	37
Coil	
F8514601P .....	65
Communication Harness	
F8385102 .....	13
Concrete Kit	
1111P .....	43
Contact Base	
F8538101 .....	13
Contact Block Switch	
F200233401P .....	13
Contact Switch	
F8069501 .....	13
Contacto	
F330177P .....	13
F330188P .....	63
Control Panel Assembly	
F8038503 .....	17
F8038505 .....	17
F8038603 .....	17
F8038605 .....	17
F8038703 .....	17
F8038705 .....	17
F8038803 .....	17
F8038805 .....	17
Control Panel Overlay	
F8531501 .....	19

N/A items do not appear in index.

F8551601 .....	19
Control Tray Assembly	
F8359601 .....	11
F8359603 .....	11
Control Tray Harness	
F8433201 .....	11
Coupling	
F8116301 .....	65
F8362701 .....	65

## D

Diaphragm and Guide Kit	
G582P3 .....	53
DIN Rail	
F8385301 .....	13
DIN Valve Adapter Kit	
F8382301 .....	65
DIN Valve Kit	
F8521501 .....	65
Dispenser Assembly	
F8047401 .....	53
F8047402 .....	53
Dispenser Gasket	
F8308301 .....	53
Dispenser Lid	
F8048101 .....	21
F8048102 .....	21
Dispenser Overflow Hose	
F8043401 .....	53
F8043403 .....	53
F8043404 .....	53
Door	
F0602431-02 .....	23, 25
F0602837-02 .....	27, 29
F602842-2 .....	31, 33
F8507501P .....	23, 25
F8507702 .....	31, 33
F8752601 .....	27, 29
F8752701 .....	31, 33
Door Assembly	
F8087202 .....	25
F8087205 .....	25
F8087302 .....	29
F8167301 .....	29
F8187203 .....	23
F8187204 .....	23
F8187206 .....	23
F8187207 .....	23
F8187303 .....	27
F8187304 .....	27
F8187305 .....	29
F8187306 .....	27
F8187307 .....	27
F8187308 .....	29
F8187403 .....	31
F8187404 .....	31
F8187406 .....	31
F8187407 .....	31
F8187408 .....	33
F8187411P .....	33
F8617201 .....	25
F8617202 .....	25
F8617208 .....	25
F8617302 .....	29

F8617402 .....	33
Door Bezel	
F8658701 .....	17
F8658801 .....	17
F8658901 .....	17
F8659101 .....	17
Door Gasket	
F170124 .....	31
F200000200 .....	23
F200000202 .....	23, 25
F8111502 .....	31, 33
F8111601 .....	27
F8111602 .....	27, 29
Door Glass	
F8485301P .....	29
F8485305 .....	27
F8485401P .....	33
F8485405 .....	31
F8675701 .....	23
Door Glass Kit	
F290205P .....	25
Door Glass Trim	
F8583201 .....	23, 25
F8583202 .....	27, 29
F8583203 .....	31, 33
F8583204 .....	23
F8583205 .....	27
F8583206 .....	31
Door Handle	
F8199401P .....	25, 29, 33
F8199501 .....	23, 27, 31
F8435501 .....	25, 29, 33
F8544701 .....	23, 27, 31
F8624603 .....	25, 29, 33
Door Handle Spacer Kit	
F8567501 .....	23, 25, 27, 29, 31, 33
Door Hinge	
F190216P .....	23, 25, 27, 29, 31, 33
Door Hinge Shim Kit	
F200131000P .....	23, 25, 27, 29, 31, 33
Door Latch Arm Assembly	
F8221403 .....	23, 25, 27, 29, 31, 33
Door Lock Assembly	
F8632401 .....	35
Door Lock Catch	
F8344501 .....	35
Door Lock Cover	
F8245001 .....	35
Door Lock Microswitch	
F200203200 .....	35
Door Lock Plate Assembly	
F8223202 .....	35
Door Lock Plate Shim	
F8344401 .....	35
Door Lock Solenoid Replacement Kit	
F977P3 .....	35
Door Lock Splash Shield	
F320200 .....	35
Door Lock Switch Lever	
F8223401 .....	35
Door Mount	
F150271 .....	23, 25, 27, 29, 31, 33
Double Check Valve	
F8301201 .....	55

N/A items do not appear in index.

Dowel Pin	
F8388101 .....	39
F8388201 .....	39, 41
Drain Connector Tee	
F8017101 .....	45
Drain Hose	
F200165100 .....	45
F8232901 .....	45
F8261302 .....	45
F8261303 .....	45
F8464701 .....	45
Drain Seal Kit	
F8562001 .....	49
Drain Tee	
F8752101 .....	45
Drain Valve	
F8602602 .....	49
Drain Valve Cover	
F200133600 .....	47, 49
Drive Assembly	
F8204701P .....	13
F8303601P .....	13
F8327301P .....	13
Drive Mounting Bracket	
F8322401 .....	13
Drive Tray Assembly	
F8359801 .....	13
F8359802 .....	13
F8359803 .....	13

## E

Earth Terminal Sticker	
M412096 .....	9
Electric Shock Danger Label	
F8115501 .....	9
Element	
F360205P .....	63
Emergency Stop Harness	
F8060501 .....	11
Emergency Stop Plate	
F8201301 .....	13
Emergency Stop Pushbutton	
F200233500 .....	13
EMI Filter	
F8053901P .....	13
F8053902 .....	13
End Stop	
F8449801 .....	13
Excluder Seal	
F8336801 .....	37
F8336802 .....	37
F8336901 .....	37
F8336902 .....	37
F8337001 .....	37
F8337002 .....	37
F8337101 .....	37
F8527701 .....	37
Expansion Clip	
70030501 .....	11, 13, 17, 21
Extension Spring	
F310124 .....	57, 59
External Door Lock Harness	
F8340001 .....	35

External Supply Connection Decal	
F8150201 .....	9
External Supply Harness	
F8191201P .....	11
External Supply Kit	
F937P3 .....	11
Eye Bolt	
F8319504 .....	59
F8404501 .....	61

## F

Fill Hose Kit	
F8544601 .....	51
Filter	
F8454401 .....	53
Flanged Bushing	
F8333301 .....	57
F8333302 .....	59, 61
Flanged Isolator	
F8535202 .....	59
Frame Template	
F8433301 .....	43
F8433401 .....	43
F8433501 .....	43
F8433601 .....	43
Frame Weldment	
F8247002 .....	43
F8248002 .....	43
F8249001 .....	43
F8250002 .....	43
Front Cabinet Brace	
F8173801 .....	17
F8173901 .....	17
F8174001 .....	17
Front End Control	
F8548901 .....	11
Front End Control Kit	
F117P3 .....	11
Front Panel	
F8171302P .....	17
F8173002P .....	17
F8173007 .....	17
F8173011 .....	17
F8173102P .....	17
F8173104 .....	17
F8173106 .....	17
F8173108 .....	17
F8173110 .....	17
F8173204 .....	17
F8173206 .....	17
F8173208 .....	17
F8173210 .....	17
F8492302 .....	17
F8492306 .....	17
F8492308 .....	17
F8492310 .....	17
Fuse	
802492 .....	11
802493 .....	11

N/A items do not appear in index.

---

**G**

Gravity Drain Valve	
803292P .....	47
803293P .....	47
Grommet	
F8433001 .....	11
Ground Decal	
F230739 .....	9
Ground Lug Connector	
M411283 .....	53
Gusset Plate	
F8186701 .....	17
F8186702 .....	17

---

**H**

Harness	
F8454601 .....	53
Heating Element Plug	
F360202 .....	63
Hole Plug	
F8223801 .....	21
Hose	
F606816-1 .....	53
F8232001 .....	53
F8232002 .....	53
F8232004 .....	53
F8405301 .....	11
Hose Barb Connector	
F8431001 .....	11
Hose Clamp	
F200201 .....	45
F200213 .....	45, 53
F200215 .....	45, 49
F200222 .....	53
20211 .....	53
36801 .....	53
Hot Surface Warning Label	
F8614301 .....	9

---

**I**

Induction Motor	
801194P .....	61
Insulation	
F8233703 .....	65

---

**J**

Jumper Configuration Assembly	
M413507 .....	11
Jumper Harness Assembly	
M413506 .....	11
Jumper Wire	
F8056001 .....	63

---

---

**K**

Key	
F430801 .....	57, 59, 61
H8752006H .....	57, 59
70155603 .....	21

---

**L**

Left Side Panel	
F8399202 .....	21
F8399204 .....	21
F8399302 .....	21
F8399304 .....	21
F8399402 .....	21
F8399404 .....	21
F8399502 .....	21
F8399504 .....	21
F8492402 .....	21
F8492404 .....	21
Lid Clamp	
F8091701 .....	21
Logo	
F8443101 .....	19
Lower Cabinet Brace	
F8174101 .....	17
Lower Drive Mounting Bracket	
F8310101 .....	13

---

**M**

Machine Size Configuration Harness	
F8028101P .....	11
F8028103P .....	11
F8028104P .....	11
F8028105P .....	11
Magnet	
F8390801 .....	23, 25, 27, 29, 31, 33
Manifold	
F8333201 .....	53
Motor	
F8335001P .....	57, 59
F8335101P .....	57, 59
Motor Bracket Weldment	
F8441601 .....	57
F8441603 .....	59
F8589002 .....	59
Motor Conduit Mounting Bracket	
70321701 .....	57, 59
Motor Drip Shield	
F200216900 .....	61
Motor Harness	
F8384801 .....	61
F8384901 .....	57, 59
F8396601 .....	57, 59
Motor Isolation Kit	
F8562501 .....	57, 59
F8562502 .....	57, 59
F8562504 .....	61
Motor Mount Rod	
801062 .....	61

---

N/A items do not appear in index.



Motor Pulley	
F8362501 .....	57, 59
Motor Rod Extension	
F8387101 .....	61
Motor Rod Plate	
F8441101 .....	57, 59, 61
Mount on Concrete Warning Label	
F8246401 .....	9

## N

Nameplate	
F8443102 .....	19
Nut	
F0431807-00 .....	53
F430215 .....	23, 25, 27, 29, 31, 33, 37
F430225 .....	35
F430232 .....	11, 13, 23, 25, 27, 29, 31, 33, 35, 53
F430264 .....	35
F431017 .....	13, 15
F431041 .....	23, 25, 27, 29, 31, 33
F8387601 .....	39, 57
F8387701 .....	39, 41
F8387801 .....	41
24205 .....	13
44087201 .....	45, 57, 59, 61
44087301 .....	43, 59
70030401 .....	45, 65

## O

O-Ring	
F8441901 .....	57
Output Control Assembly Kit	
F980P3 .....	11
Output/Logic Harness	
F8028701 .....	11
Overflow Hose	
F150308 .....	45
F150417 .....	45
F8337701 .....	45
Overlay	
F8219701 .....	19
F8219801 .....	19
F8219901 .....	19
F8220001 .....	19
F8293501 .....	19
F8293601 .....	19
F8293701 .....	19
F8293801 .....	19
F8443601 .....	19

## P

Panel Lock	
44089303P .....	21
Pin	
F8302701 .....	37
Pipe Insulation	
F410300 .....	63, 65
F8233705 .....	65

Pipe Nipple	
431486 .....	65
70139601 .....	65
70263801 .....	65
Plug	
F200202600 .....	63
F420409 .....	65
F8223901 .....	21
M400985 .....	21
Pop Rivet	
F431223 .....	23, 25, 27, 29, 31, 33
70058501 .....	11, 13
70412601 .....	17

Pressure Bulb Assembly	
205241 .....	11
P-Trap Hose	
F8042201 .....	53
F8042202 .....	53
F8042204 .....	53
F8042301 .....	53
Pushbutton Switch	
70413301 .....	21

## R

Radial Seal	
F8203808 .....	41
Rear Drain Hose	
F8231904 .....	45
F8231905 .....	45
F8365601 .....	45
F8365602 .....	45
Rear Panel	
F8352801 .....	21
F8362401 .....	21
F8365201 .....	21
F8367101 .....	21
F8492501 .....	21
Reed Switch Assembly	
F8066802 .....	23, 25, 27, 29, 31, 33
Regulator	
F8402201 .....	53
Retaining Ring	
F8337801 .....	41
F8337901 .....	41
F8344901 .....	39
F8345001 .....	39
Right Side Panel	
F8399201 .....	21
F8399203 .....	21
F8399301 .....	21
F8399303 .....	21
F8399401 .....	21
F8399403 .....	21
F8399501 .....	21
F8399503 .....	21
F8492401 .....	21
F8492403 .....	21
Rocker Switch	
70455101 .....	15
Rod	
F602813-2 .....	23, 25, 27, 29
F602813-3 .....	31, 33

N/A items do not appear in index.

---

**S**

## Screw

D503688	13
F430174	17, 21
F430532	23, 25
F430533	27, 29, 31, 33
F430536	23, 25, 27, 29, 31, 33
F430903	11
F430909	53
F430956	35
F430977	35
F8117601	17
F8206901	11, 13, 21, 53, 65
F8230301	53
F8230601	21
F8368701	39
F8368801	39, 41
F8368901	41
F8406601	61
F8442702	43
F8535501	23, 25, 27, 29, 31, 33
F8535601	53
F8574001	57, 59, 61
F8621601	43
M400077	57, 59
202175	45
20253	65
23222	57, 59
800461	57
800462	37
800548	53

## Seal Scupper Pad

F8350301	39
F8350302	41
F8350303	41

## Shaft Seal Sleeve

F8343914	37
----------	----

## Shaft Seal Sleeve Kit

F8343901P	37
F8343904P	37
F8343906P	37
F8343909P	37

## Shell Band Kit

F8537801	37
F8537802	37
F8537803	37
F8537804	37

## Shell Front Assembly

F8229401	37
F8229501	37
F8229601	37
F8229701	37

## Shell Front Gasket Kit

F8513501	37
----------	----

## Shell Weldment

F8360602	43, 63, 65
F8360603	43
F8360702	43, 63, 65
F8360703	43
F8360802	43, 63, 65
F8360803	43
F8360902	43, 63, 65
F8360903	43

## Shim

F8484401	35
----------	----

## Siphon Cover

F8047901	53
----------	----

## Snap Bushing

44071501	11
----------	----

## Spacer

F431901	35
F8451601	57, 61

## Spring

F8504601	47
----------	----

## Spring Mount Rod

F8361301	61
----------	----

## Spring Pin

F431222	23, 25, 27, 29, 31, 33
---------	------------------------

## Spring Plate

F8363901	57
F8525801	59

## Spring Stud Kit

F8748601	57, 59
----------	--------

## Steam Bracket

F8490301	65
----------	----

## Steam Filter

F270307	51, 65
F270308	51

## Steam Heat Kit

F953P3	65
--------	----

## Steam Hose

F200197	65
---------	----

## Steam Injector Tube Assembly

F8368201	65
----------	----

## Steam Valve Repair Kit

F380984P	65
----------	----

## Street Elbow

H86070034	65
-----------	----

## Stud

70334702	45
----------	----

## Supply Overflow Hose

F8043405	53
----------	----

---

**T**

## Tee

F8246601	11, 63
----------	--------

## Temperature Knob

44104601	15
----------	----

## Temperature Selector Switch

D511711	15
---------	----

## Temperature Selector Switch Bracket

70391701	15
----------	----

## Terminal Block

430642	53
--------	----

## Terminal Tray Cover

F8177001	53
----------	----

## Terminal Tray Cover Gasket

F8230001	53
----------	----

## Thermistor Sensor

F370609	63
---------	----

## Top Cabinet Brace

F8043501	21
F8043701	21
F8043801	21
F8043901	21

## Top Cover

F8017401	21
----------	----

N/A items do not appear in index.

F8040201	21
F8040301	21
F8040401P	21
Top Cover Hinge	
F8258601	21
Top Cover Latch	
F8201001	17
Torsion/Door Lock Spring	
F8070301	35
Transformer	
F8401301	13
201616P	11
803527P	11
Tray Support Bracket	
F8375201	11
Triple Lip Seal	
F8203801	39
F8203802	39
F8203803	41
F8203806	41
F8203813	39
F8203814	39
F8203815	41
Tubing	
F8153901	11, 63

---

## U

USB IR Interface Kit	
203346	11
Use Copper Conductors Only Caution Label	
F8242201	9

---

## V

Vacuum Breaker Assembly	
F8048601	53
Vacuum Breaker Hose	
F0200244-01	53
F0200244-02	53
Vacuum Supply Hose	
F8042801	53
F8042803	53
F8042804	53
F8042805	53
Valve	
F8322801P	65
Valve Kit	
F8379501P	65
Valve Panel	
F8398701	53
F8398801	53
F8398901	53
F8399001	53
Valve, 3-Way	
F8286401P	53
F8286402P	53

---

## W

Warning Label	
F8207901	9
F8233501	9
44324001	9
Washer	
F431113	23, 25, 27, 29, 31, 33
F431115	57, 59, 61
F431902	35
F431916	23, 25, 27, 29, 31, 33
F431929	23, 25, 27, 29, 31, 33
F8201101	17
F8366601	39
F8402701	43
M400081	37, 43
M405535	45
803615	51, 53
Water Hose Kit	
F8665601	51
F8665602	51
F8665603	51
F8665604	51
Water Pressure Switch	
F8404401	11, 63

---

