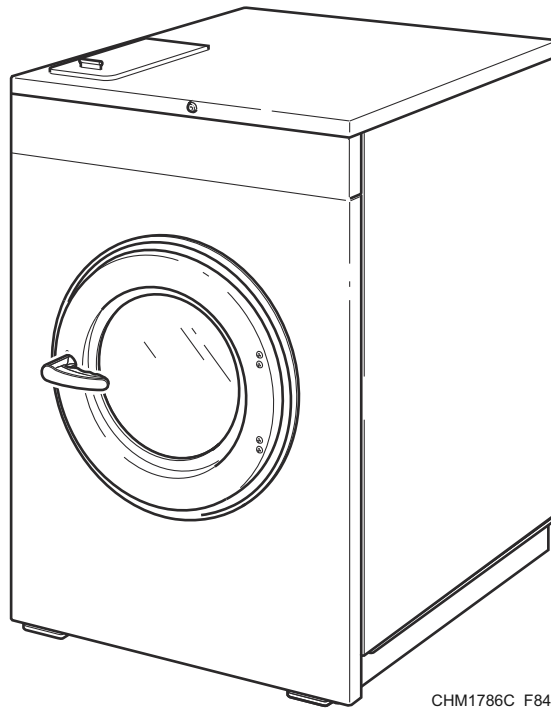


# Washer-Extractor

Cabinet Hardmount

Design 2 and 3

Refer to Page 3 for Model Numbers



CHM1786C\_F8489201



# Table of Contents

Title	Page
Parts Ordering Information.....	2
Serial Plate Location .....	2
Model Identification .....	3
Product Overview - M30, Galaxy 600, MaestroV, MaestroG3 and Quantum Gold OPL.....	4
Decals .....	6
Control Module (Drawing 1 of 2).....	8
Control Module (Drawing 2 of 2).....	10
Front Panel, Control Panel and Control Panel Overlays.....	12
Panels .....	14
Door - 20 Pound Models .....	16
Door - 30 Pound Models .....	18
Door - 40 and 60 Pound Models .....	20
Door Lock.....	22
Shell Front and Basket.....	24
Bearing Housing .....	26
Shell and Frame.....	28
Drain Plumbing .....	30
Drain Valve Assembly - 20 and 30 Pound Models.....	32
Drain Valve Assembly - 40 and 60 Pound Models.....	34
Steam Filter (Optional) and Water Supply Hose .....	36
Fill Plumbing Assembly.....	38
Double Check Valve .....	40
Motor, Pulley and Belt (Drawing 1 of 3) .....	42
Motor, Pulley and Belt (Drawing 2 of 3) .....	44
Motor, Pulley and Belt (Drawing 3 of 3) .....	46
Electric Heat Option .....	48
Steam Heat Option .....	50
Parts Index.....	53

© Copyright 2024, Alliance Laundry Systems LLC

All rights reserved. No part of the contents of this book may be reproduced or transmitted in any form or by any means without the expressed written consent of the publisher.

## Parts Ordering Information

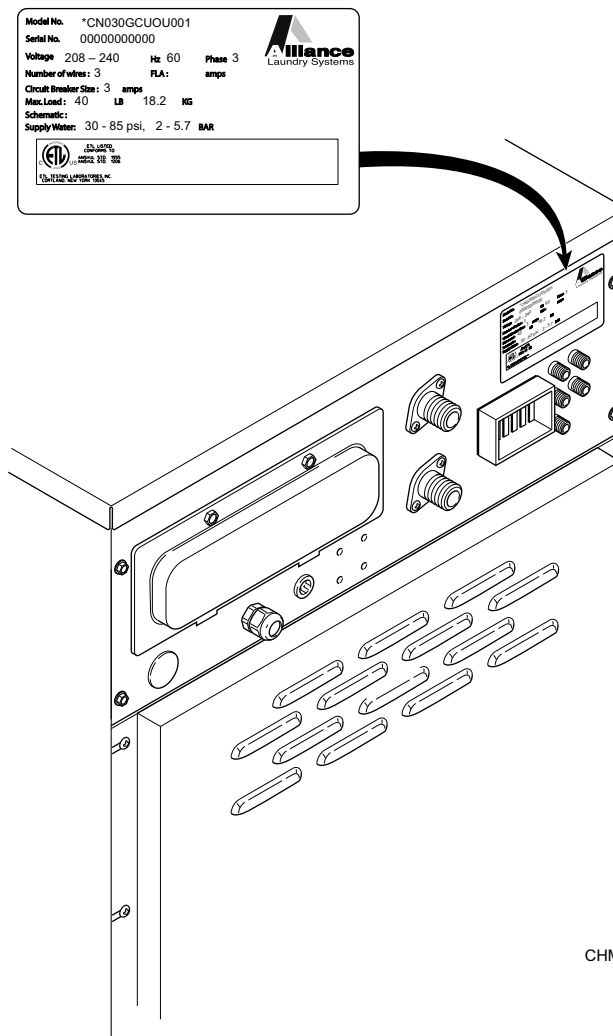
If literature or replacement parts are required, contact the source from whom the machine was purchased or contact Alliance Laundry Systems at (920) 748-3121 for the name and address of the nearest authorized parts distributor.

For technical assistance, call the number listed below:

(920) 748-3121 Ripon, Wisconsin

## Serial Plate Location

When calling or writing about your product, be sure to mention model and serial numbers. Model and serial numbers are located on serial plate(s) as shown.



## Model Identification

Information in this manual is applicable to these washer-extractor models:

CCN020KNF	SCB040KNF	SCN020KNF	UCB040KNF	UCN020KNF
CCN020KNV	SCB040KNV	SCN020KNV	UCB040KNV	UCN020KNV
CCN030KNF	SCH020KNF	SCN030KNF	UCH020KNF	UCN030KNF
CCN030KNV	SCH020KNV	SCN030KNV	UCH020KNV	UCN030KNV
CCN040KNF	SCH030KNF	SCN040KNF	UCH030KNF	UCN040KNF
CCN040KNV	SCH030KNV	SCN040KNV	UCH030KNV	UCN040KNV
CCN060KNF	SCH040KNF	SCN060KNF	UCH040KNF	UCN060KNF
CCN060KNV	SCH040KNV	SCN060KNV	UCH040KNV	UCN060KNV
ICN020KNF	SCH060KNF	SCU020KNF	UCH060KNF	UCU020KNF
ICN020KNV	SCH060KNV	SCU030KNF	UCH060KNV	UCU020KNV
ICN030KNF	SCL020KNF	SCU030KNV	UCL020KNF	UCU030KNF
ICN030KNV	SCL020KNV	SCU040KNF	UCL020KNV	UCU030KNV
ICN040KNF	SCL030KNF	SCU040KNV	UCL030KNF	UCU040KNF
ICN040KNV	SCL030KNV	SCU060KNF	UCL030KNV	UCU040KNV
ICN060KNF	SCL040KNF	SCU060KNV	UCL040KNF	UCU060KNF
ICN060KNV	SCL040KNV	SCY020KNF	UCL040KNV	UCU060KNV
	SCL060KNF	SCY020KNV	UCL060KNF	UCY020KNF
	SCL060KNV	SCY030KNF	UCL060KNV	UCY020KNV
		SCY030KNV		UCY030KNF
		SCY040KNF		UCY030KNV
		SCY040KNV		UCY040KNF
		SCY060KNF		UCY040KNV
		SCY060KNV		UCY060KNF
		SCZ020KNF		UCY060KNV
		SCZ020KNV		
		SCZ030KNF		
		SCZ030KNV		

# Product Overview - M30, Galaxy 600, MaestroV, MaestroG3 and Quantum Gold OPL

Model No. \*CN030GC3UOU001

Serial No. 0000000000

Voltage 208 – 240 Hz 60 Phase 3

Number of wires :3 FLA: amps

Circuit Breaker Size 3 amps

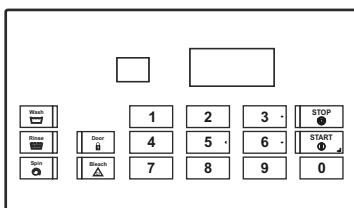
Max. Load : 40 LB 18.2 KG

Schematic :

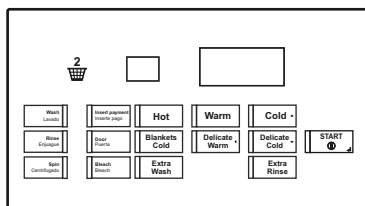
Supply Water: 30 - 85 psi, 2 - 5.7 BAR

ETL LISTED  
CONFORMS TO  
ANSI/UL STD. 1555  
US ANSI/UL STD. 1206

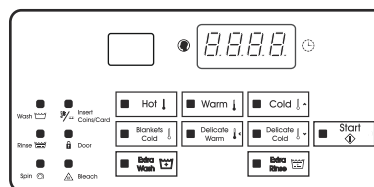
ETL TESTING LABORATORIES, INC.  
CORTLAND, NEW YORK 13045



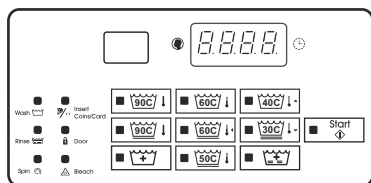
MaestroV



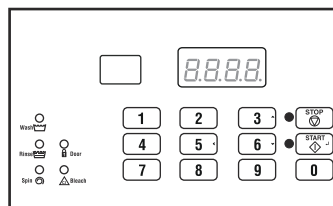
MaestroG3



Galaxy 600 Coin (Domestic)



Galaxy 600 Coin (International)



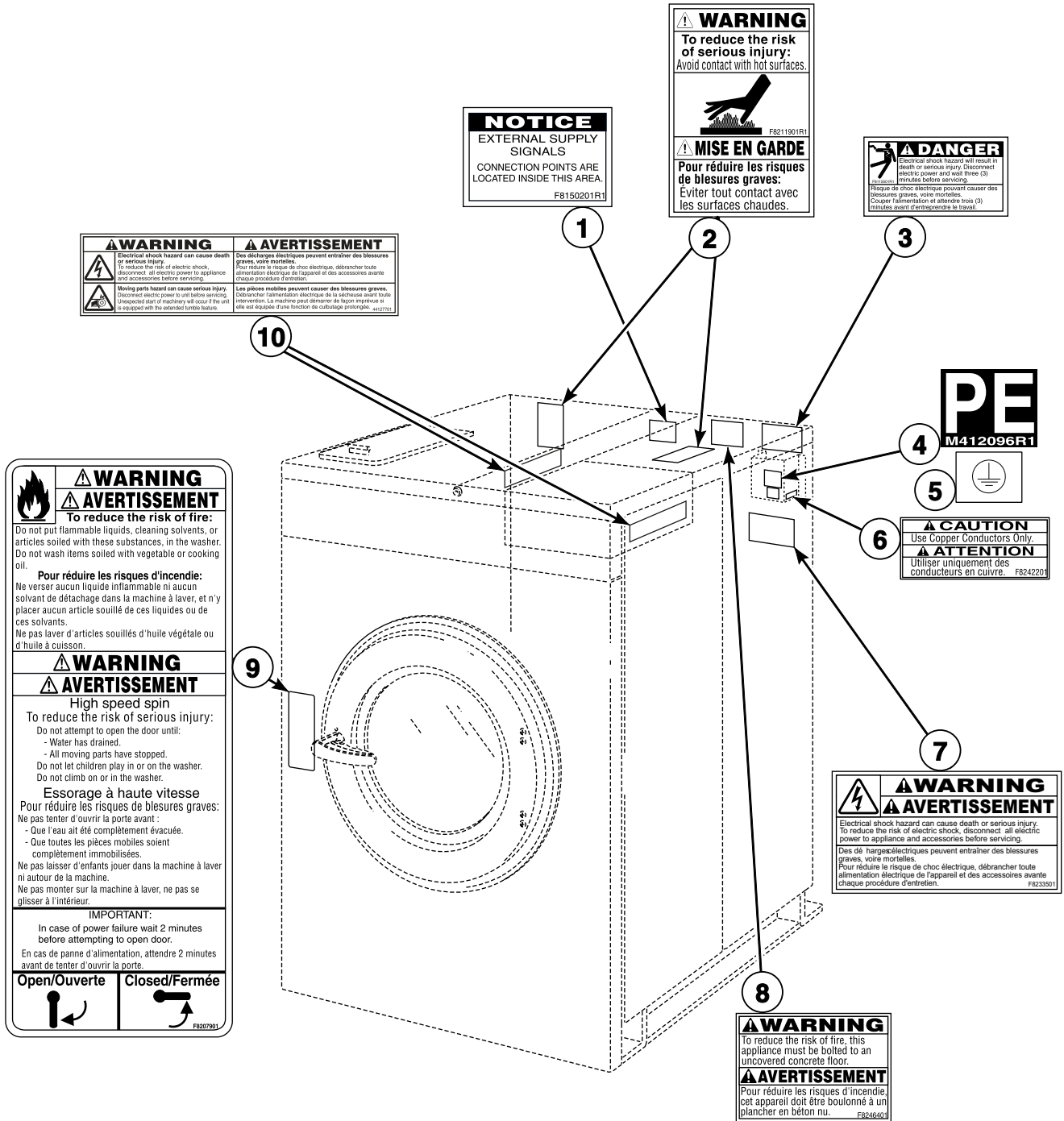
M30/Quantum Gold OPL

CHM3447P\_F8489201

# Product Overview - M30, Galaxy 600, MaestroV, MaestroG3 and Quantum Gold OPL

REF	PART NO.	DESCRIPTION	COMMENTS
1	-	Product Family	CC HC IC SC UC YC
2	-	Market	B (Brazil CE) D (Daiwa) H (China-ROHS ETL) L (International ETL(c)) N (Domestic ETL(c)) U (International CE/EAC) W (CE WRAS) Y (Australia) Z (No Agency International)
3	-	Capacity (Pounds)	020 030 040 060 080 100
4	-	Control	G J L H K W Z
5	-	Actuation	C (Drop Coin Meter) D (Digital Coin Meter) E (Electronic World Drop) L (Prep for Remote/Central Pay) N (Non-Coin OPL) X (Prep for Coin Meter) Y (Prep for Card Reader)
6	-	Speed	F (F-Speed) V (V-Speed)
7	-	Voltage	B (120/60/1) N (440-480/50/60/3) P (380-415/50/60/3) Q (200-208/220-240/50/60/3) X (200-208/220-240/50/60/1/3)
8	-	Panel	B (Chrome Door, Stainless Steel Side) C (Chrome Door) U (Standard) 1 (Stainless Steel)
9	-	Design	2 3

# Decals



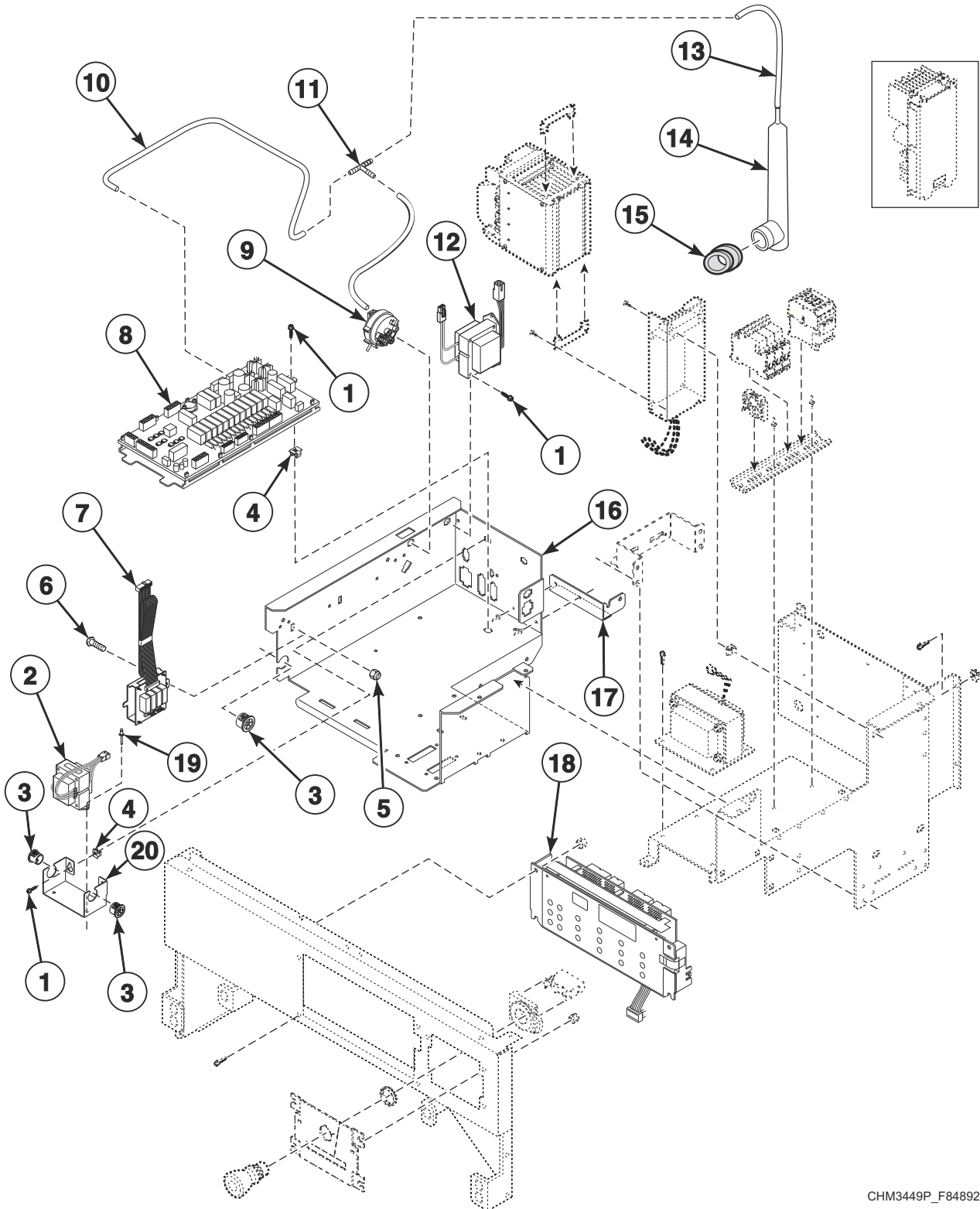
CHM3027P\_F4849201



# Decals

REF	PART NO.	DESCRIPTION	COMMENTS
1	F8150201	External Supply Connection Decal	
2	F8614301	Hot Surface Warning Label	
3	F8115501	Electric Shock Danger Label	
4	M412096	Earth Terminal Sticker	
5	F230739	Ground Decal	
6	F8242201	Use Copper Conductors Only Caution Label	
7	F8233501	Warning Label	
8	F8246401	Mount on Concrete Warning Label	
9	F8207901	Warning Label	
10	44324001	Warning Label	

# Control Module (Drawing 1 of 2)

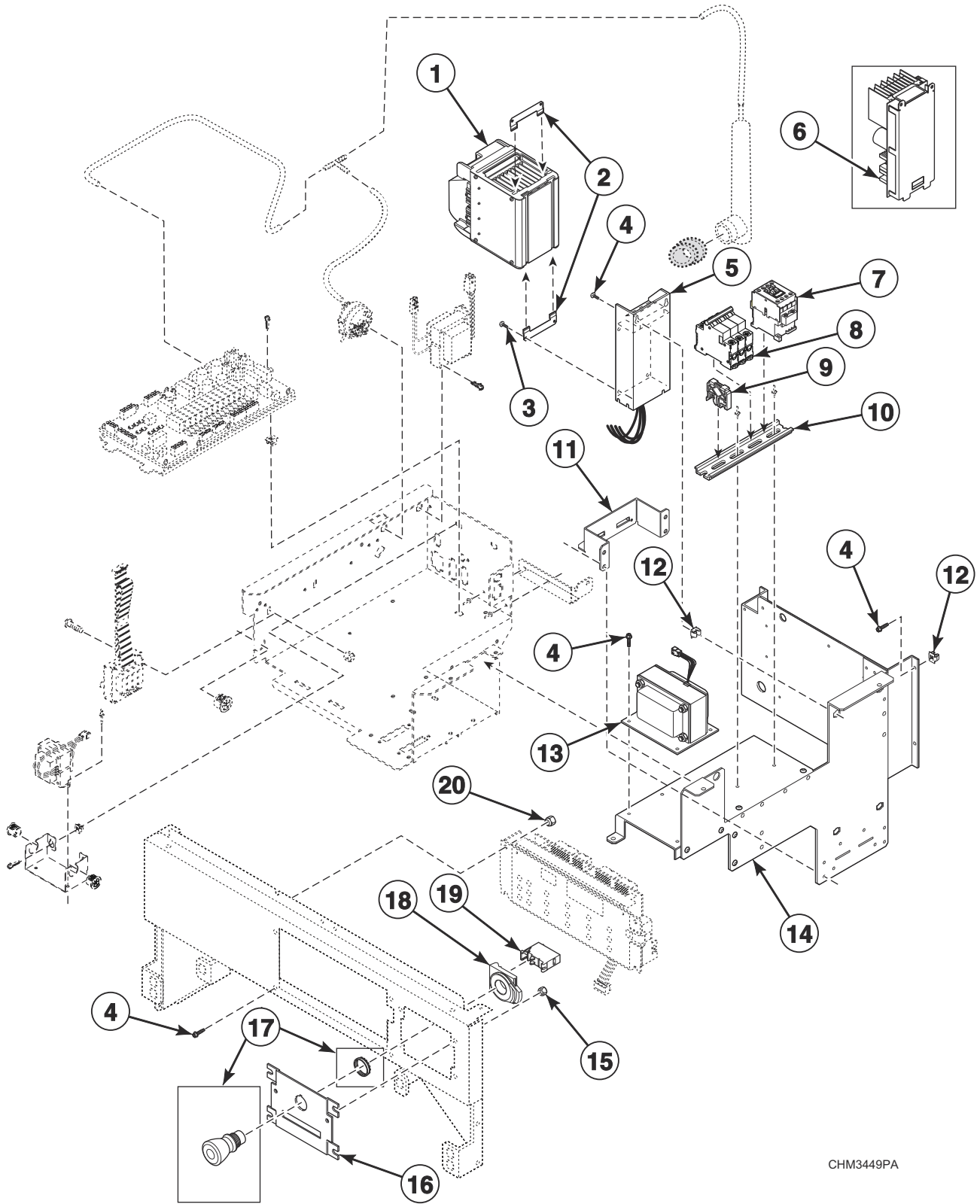


CHM3449P\_F8489201

## Control Module (Drawing 1 of 2)

REF	PART NO.	DESCRIPTION	COMMENTS
	F8028701	Output/Logic Harness	
	F8060501	Emergency Stop Harness	
	F8261501P	Control Tray Harness	
	F8028101P	Machine Size Configuration Harness	20 pound models
	F8028103P	Machine Size Configuration Harness	30 pound models
	F8028104P	Machine Size Configuration Harness	40 pound models
	F8028105P	Machine Size Configuration Harness	60 pound models
	203346	USB IR Interface Kit	
	F8191203P	External Supply Harness	20 and 30 pound models
	F8191201P	External Supply Harness	40 and 60 pound models
	F937P3	External Supply Kit	Includes items 1, 8, 15, F8191201P External Supply Harness and screws
	M413506	Jumper Harness Assembly	208 Volt
	M413507	Jumper Configuration Assembly	240 Volt
<b>1</b>	F8206901	Screw	
<b>2</b>	803527P	Transformer	
<b>3</b>	44071501	Snap Bushing	
<b>4</b>	70030501	Expansion Clip	
<b>5</b>	F430232	Nut	
<b>6</b>	F430903	Screw	
<b>7</b>	F8189401P	Auxiliary Control Assembly	
<b>8</b>	F980P3	Output Control Assembly Kit	Includes item 11 and F8108001 Output Assembly
	802493	Fuse	2.5 Amp
	802492	Fuse	5 Amp
<b>9</b>	F8404401	Water Pressure Switch	Electric heat
<b>10</b>	F8153901	Tubing	
<b>11</b>	F8246601	Tee	Electric heat
	F8431001	Hose Barb Connector	All other models
<b>12</b>	201616P	Transformer	External supply
<b>13</b>	F8405301	Hose	
<b>14</b>	205241	Pressure Bulb Assembly	
<b>15</b>	F8433001	Grommet	
<b>16</b>	F8359601	Control Tray Assembly	20 and 30 pound models
	F8359603	Control Tray Assembly	40 and 60 pound models
<b>17</b>	F8375201	Tray Support Bracket	
<b>18</b>	F8549010	Front End Control	CC and IC F-speed models
	F8549007	Front End Control	CC and IC V-speed models
	F101P3	Control Kit	SC and UC F-speed models; Includes F8028701 Output/Logic Harness
	F106P3	Front End Control Kit	SC and UC V-speed models; Includes F8028701 Output/Logic Harness
<b>19</b>	70058501	Pop Rivet	
<b>20</b>	F8599801	Bracket	

# Control Module (Drawing 2 of 2)

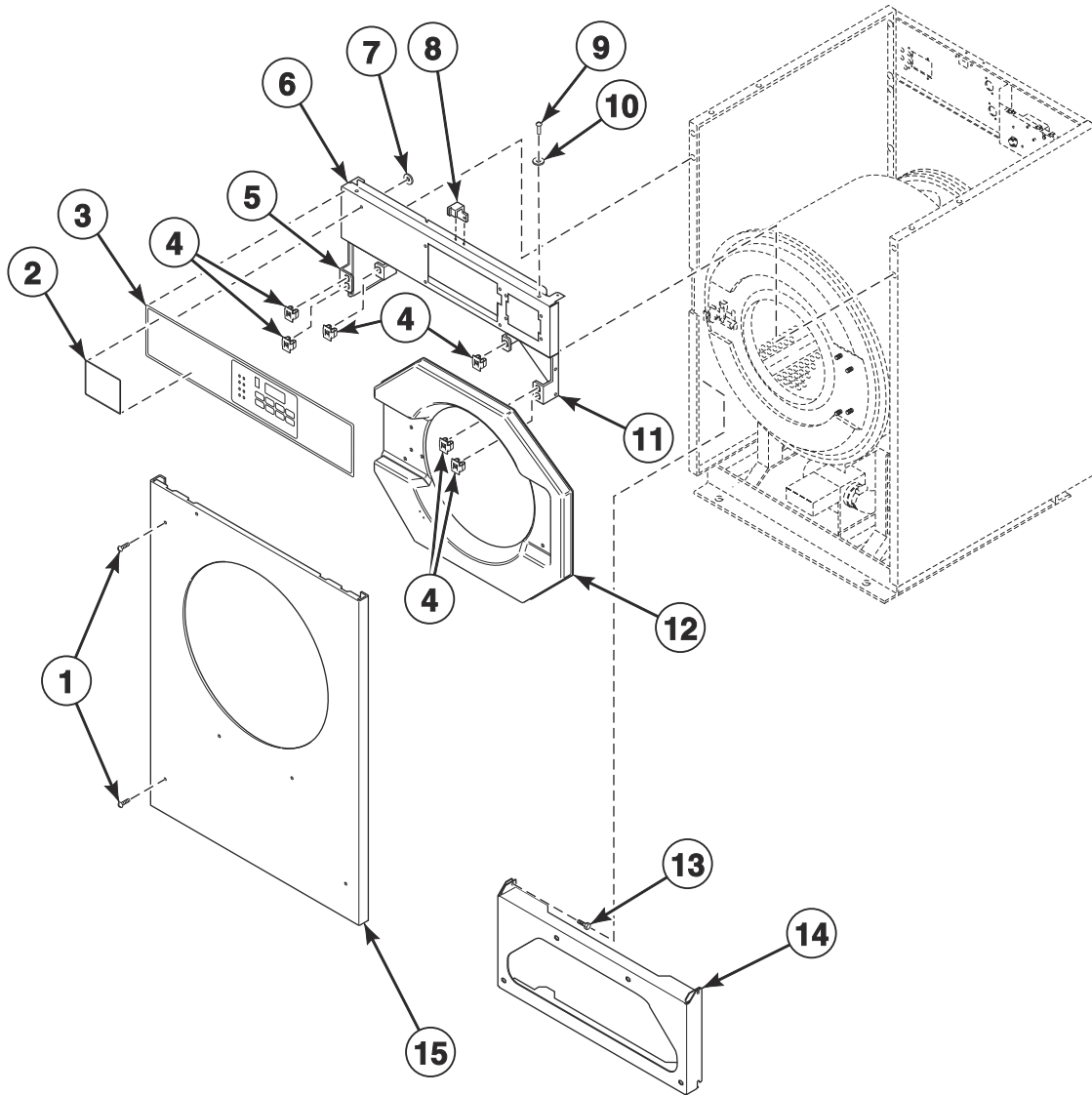


CHM3449PA

## Control Module (Drawing 2 of 2)

REF	PART NO.	DESCRIPTION	COMMENTS
	F8385102	Communication Harness	
1	F8303601P	Drive Assembly	N and P-voltage; 5 hp
	F8204701P	Drive Assembly	60 pound models; Q and X-voltage; 3 hp
2	F8322401	Drive Mounting Bracket	Use with item 1
3	D503688	Screw	
4	F8206901	Screw	
5	F8053901P	EMI Filter	240 Volt; International models only
	F8053902	EMI Filter	480 Volt; International models only
6	F8327301P	Drive Assembly	20, 30 and 40 pound models; B, Q and X-voltage; 2 hp
7	F330177P	Contacto	
8	70256901P	Circuit Breaker	Electric heat
9	F8449801	End Stop	
10	F8385301	DIN Rail	
11	F8310101	Lower Drive Mounting Bracket	Use with item 6
12	70030501	Expansion Clip	
13	F8401301	Transformer	
14	F8359801	Drive Tray Assembly	20 pound models
	F8359802	Drive Tray Assembly	30 pound models
	F8359803	Drive Tray Assembly	40 and 60 pound models
15	F431017	Nut	
16	F8201301	Emergency Stop Plate	
17	F200233500	Emergency Stop Pushbutton	Includes nut
18	F8538101	Contact Base	
19	F8069501	Contact Switch	
20	F430232	Nut	

# Front Panel, Control Panel and Control Panel Overlays

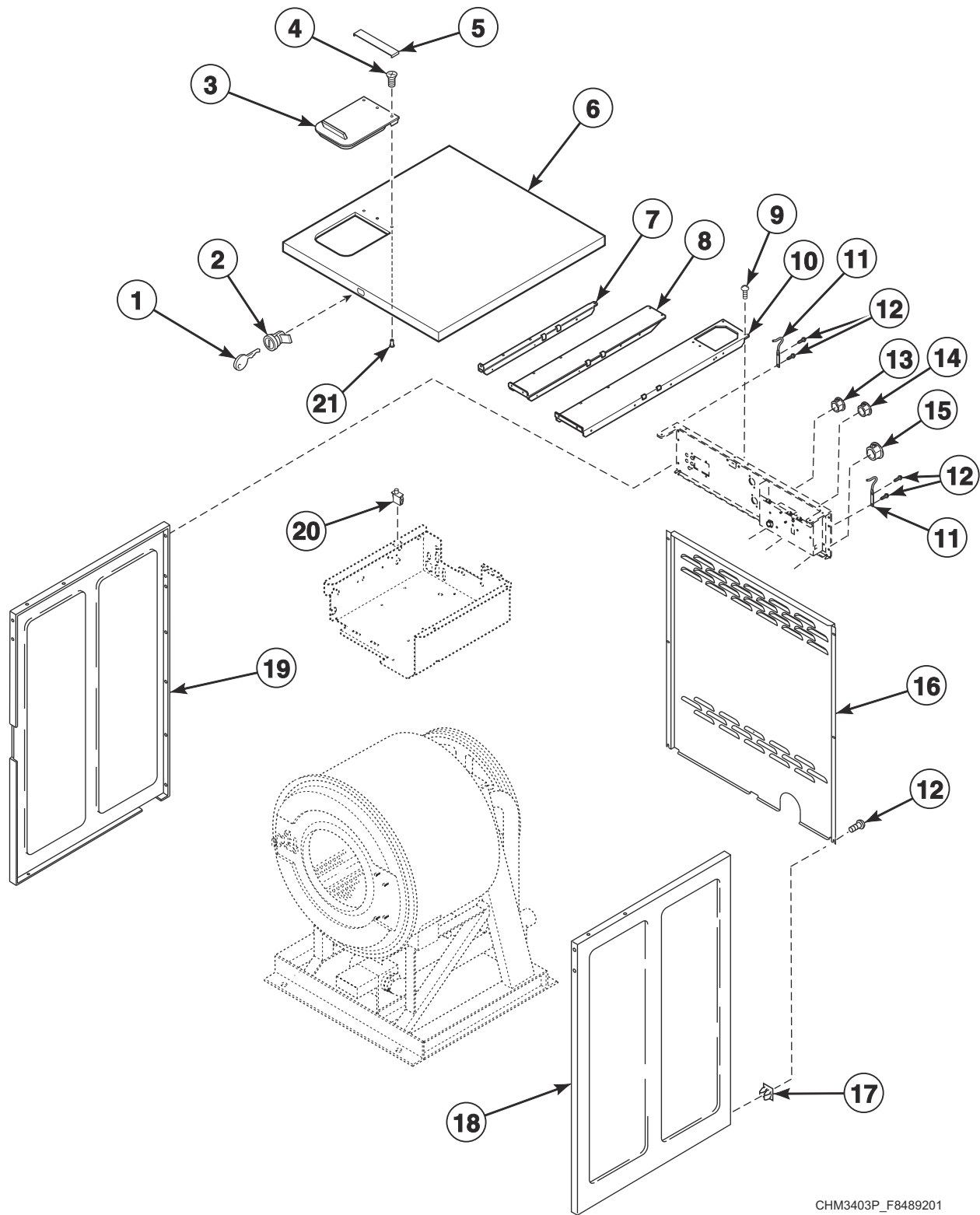


CHM3454P\_F8489201

## Front Panel, Control Panel and Control Panel Overlays

REF	PART NO.	DESCRIPTION	COMMENTS
1	F8117601	Screw	
2	F8443101	Logo	20 and 30 pound UC models; Models starting 8/14/14
	F8443102	Nameplate	40 and 60 pound UC models; Models starting 8/14/14
3	F8551501	Control Panel Overlay	CC models
	F8551801	Control Panel Overlay	IC models
	F8296001	Control Panel Overlay	20 pound SC models
	F8296101	Control Panel Overlay	30 pound SC models
	F8296201	Control Panel Overlay	40 pound SC models
	F8296301	Control Panel Overlay	60 pound SC models
	F8226301	Control Panel Overlay	20 pound UC models; Models through 8/13/14
	F8226401	Control Panel Overlay	30 pound UC models; Models through 8/13/14
	F8226501	Control Panel Overlay	40 pound UC models; Models through 8/13/14
	F8226601	Control Panel Overlay	60 pound UC models; Models through 8/13/14
	F8532301	Control Panel Overlay	60 pound UC models; Models starting 8/14/14
4	70030501	Expansion Clip	
5	F8186702	Gusset Plate	Left
6	F8038504	Control Panel Assembly	20 pound CC, IC and SC models; 20 pound UC models through 8/13/14
	F8038506	Control Panel Assembly	20 pound UC models; Models starting 8/14/14
	F8038604	Control Panel Assembly	30 pound CC, IC and SC models; 30 pound UC models through 8/13/14
	F8038606	Control Panel Assembly	30 pound UC models; Models starting 8/14/14
	F8038704	Control Panel Assembly	40 pound CC, IC and SC models; 40 pound UC models through 8/13/14
	F8038706	Control Panel Assembly	40 pound UC models; Models starting 8/14/14
	F8038804	Control Panel Assembly	60 pound CC, IC and SC models; 60 pound UC models through 8/13/14
	F8038806	Control Panel Assembly	60 pound UC models; Models starting 8/14/14
7	M400977	Nut	
8	F8201001	Top Cover Latch	
9	70412601	Pop Rivet	
10	F8201101	Washer	
11	F8186701	Gusset Plate	Right
12	F8658701	Door Bezel	20 pound models; Black
	F8658901	Door Bezel	30 pound models; Black
	F8659101	Door Bezel	40 and 60 pound models; Black
13	F430174	Screw	
14	F8173801	Front Cabinet Brace	20 pound models
	F8173901	Front Cabinet Brace	30 pound models
	F8174001	Front Cabinet Brace	40 pound models
	F8174101	Lower Cabinet Brace	60 pound models
15	F8492306	Front Panel	20 pound CC and IC models; Stainless steel
	F8171301	Front Panel	20 pound SC and UC models; Design 2; Stainless steel
	F8492302	Front Panel	20 pound SC and UC models; Design 3; Stainless steel; Vertical brush
	F8492308	Front Panel	20 pound SC and UC models; Design 3; Stainless steel; Horizontal brush
	F8173011	Front Panel	30 pound CC and IC models; Stainless steel
	F8173002P	Front Panel	30 pound SC and UC models; Stainless steel; Vertical brush
	F8173008	Front Panel	30 pound SC and UC models; Stainless steel; Horizontal brush
	F8173104	Front Panel	40 pound CC and IC models; Stainless steel
	F8173102P	Front Panel	40 pound SC and UC models; Stainless steel; Vertical brush
	F8173108	Front Panel	40 pound SC and UC models; Stainless steel; Horizontal brush
	F8173210	Front Panel	60 pound CC and IC models; Stainless steel
	F8173202P	Front Panel	60 pound SC and UC models; Stainless steel; Vertical brush
	F8173208	Front Panel	60 pound SC and UC models; Stainless steel; Horizontal brush

# Panels



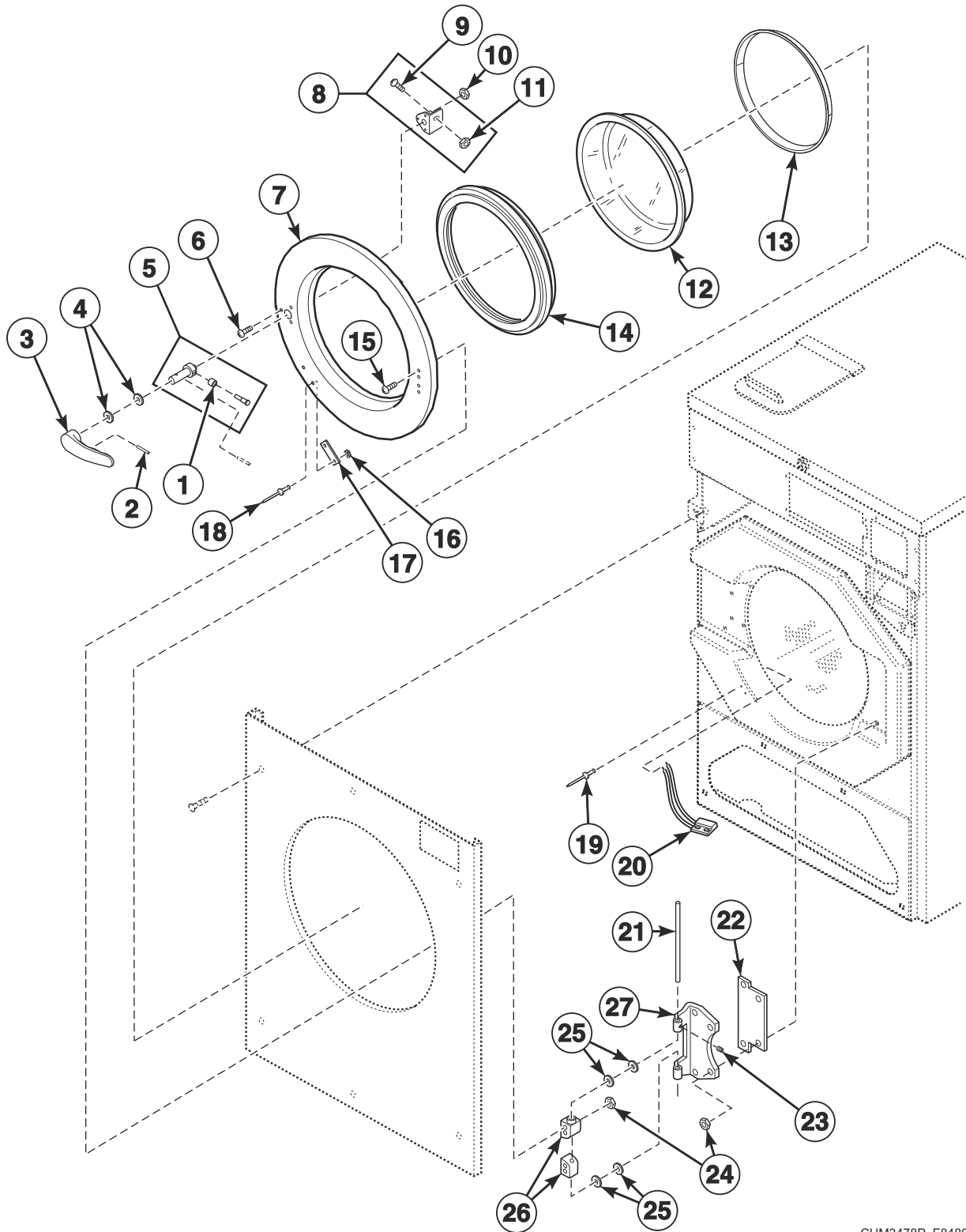
CHM3403P\_F8489201



# Panels

REF	PART NO.	DESCRIPTION	COMMENTS
1	70155603	Key	RL003
2	44089303P	Panel Lock	
3	F8048101	Dispenser Lid	Gray
4	F8230601	Screw	
5	F8091701	Lid Clamp	SC and UC models
6	F8040201	Top Cover	20 pound models
	F8017401	Top Cover	30 pound models
	F8040301	Top Cover	40 pound models
	F8040401P	Top Cover	60 pound models
7	F8043501	Top Cabinet Brace	20 pound models
8	F8043701	Top Cabinet Brace	30 pound models
9	431287	Screw	
10	F8043801	Top Cabinet Brace	40 pound models
	F8043901	Top Cabinet Brace	60 pound models
11	F8258601	Top Cover Hinge	
12	F8206901	Screw	
13	M400985	Plug	
14	F8223901	Plug	
15	F8223801	Hole Plug	
16	F8362401	Rear Panel	20 pound models; Design 2
	F8492501	Rear Panel	20 pound models; Design 3
	F8352801	Rear Panel	30 pound models
	F8365201	Rear Panel	40 pound models
	F8367101	Rear Panel	60 pound models
17	70030501	Expansion Clip	
18	F8399201	Right Side Panel	20 pound models; Design 2; Vinyl
	F8399203	Right Side Panel	20 pound models; Design 2; Stainless steel
	F8492401	Right Side Panel	20 pound models; Design 3; Vinyl
	F8492403	Right Side Panel	20 pound models; Design 3; Stainless steel
	F8399301	Right Side Panel	30 pound models; Vinyl
	F8399303	Right Side Panel	30 pound models; Stainless steel
	F8399401	Right Side Panel	40 pound models; Vinyl
	F8399403	Right Side Panel	40 pound models; Stainless steel
	F8399501	Right Side Panel	60 pound models; Vinyl
	F8399503	Right Side Panel	60 pound models; Stainless steel
19	F8399202	Left Side Panel	20 pound models; Design 2; Vinyl
	F8399204	Left Side Panel	20 pound models; Design 2; Stainless steel
	F8492402	Left Side Panel	20 pound models; Design 3; Vinyl
	F8492404	Left Side Panel	20 pound models; Design 3; Stainless steel
	F8399302	Left Side Panel	30 pound models; Vinyl
	F8399304	Left Side Panel	30 pound models; Stainless steel
	F8399402	Left Side Panel	40 pound models; Vinyl
	F8399404	Left Side Panel	40 pound models; Stainless steel
	F8399502P	Left Side Panel	60 pound models; Vinyl
	F8399504	Left Side Panel	60 pound models; Stainless steel
20	70413301	Pushbutton Switch	
21	F8230501	Bolt	

# Door - 20 Pound Models

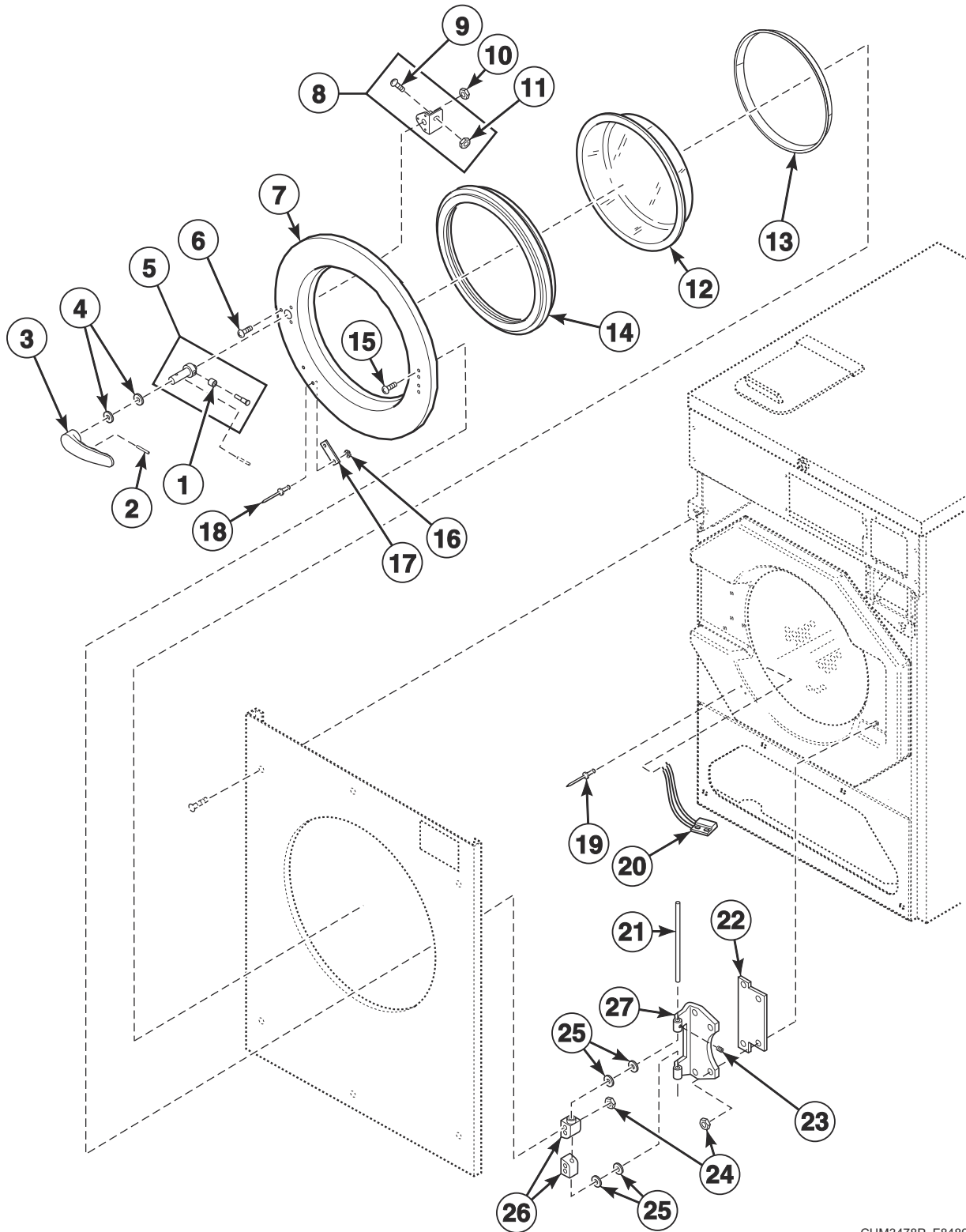


CHM3478P\_F8489201

## Door - 20 Pound Models

REF	PART NO.	DESCRIPTION	COMMENTS
	F8187201	Door Assembly	CC, IC and SC models; UC models through 8/13/14; Includes items 1-18 and 21-27
	F8617202	Door Assembly	CC and IC models; Includes items 1-18 and 21-27; Chrome
	F8617207	Door Assembly	UC models; Models starting 8/14/14; Includes items 1-18 and 21-27
	F8617208	Door Assembly	UC models; Models starting 8/14/14; Includes items 1-18 and 21-27; Chrome
<b>1</b>	F8221701	Bearing Sleeve	
<b>2</b>	F431222	Spring Pin	
<b>3</b>	F8624603	Door Handle	CC and IC models; Chrome
	F8199401P	Door Handle	SC models; UC models through 8/13/14; Black
	F8435501	Door Handle	UC models; Models starting 8/14/14
<b>4</b>	F431916	Washer	
<b>5</b>	F8221403	Door Latch Arm Assembly	
<b>6</b>	F8535501	Screw	
	F8508101	Bolt	Chrome
<b>7</b>	F0602431-02	Door	
	F8507501P	Door	Chrome
<b>8</b>	F8567501	Door Handle Spacer Kit	Includes items 9 and 11
<b>9</b>	F430532	Screw	
<b>10</b>	F430232	Nut	
<b>11</b>	F431041	Nut	
<b>12</b>	F290205P	Door Glass Kit	
<b>13</b>	F8583201	Door Glass Trim	
<b>14</b>	F200000202	Door Gasket	Black
<b>15</b>	F430974	Bolt	
	F8508101	Bolt	Polished
<b>16</b>	F431113	Washer	
<b>17</b>	F8390801	Magnet	
<b>18</b>	F431223	Pop Rivet	
<b>19</b>	F8245101	Blind Rivet	
<b>20</b>	F8066802	Reed Switch Assembly	
<b>21</b>	F602813-2	Rod	
<b>22</b>	F200131000P	Door Hinge Shim Kit	
<b>23</b>	F430536	Screw	
<b>24</b>	F430215	Nut	
<b>25</b>	F431929	Washer	
<b>26</b>	F150271	Door Mount	
<b>27</b>	F190216P	Door Hinge	

# Door - 30 Pound Models

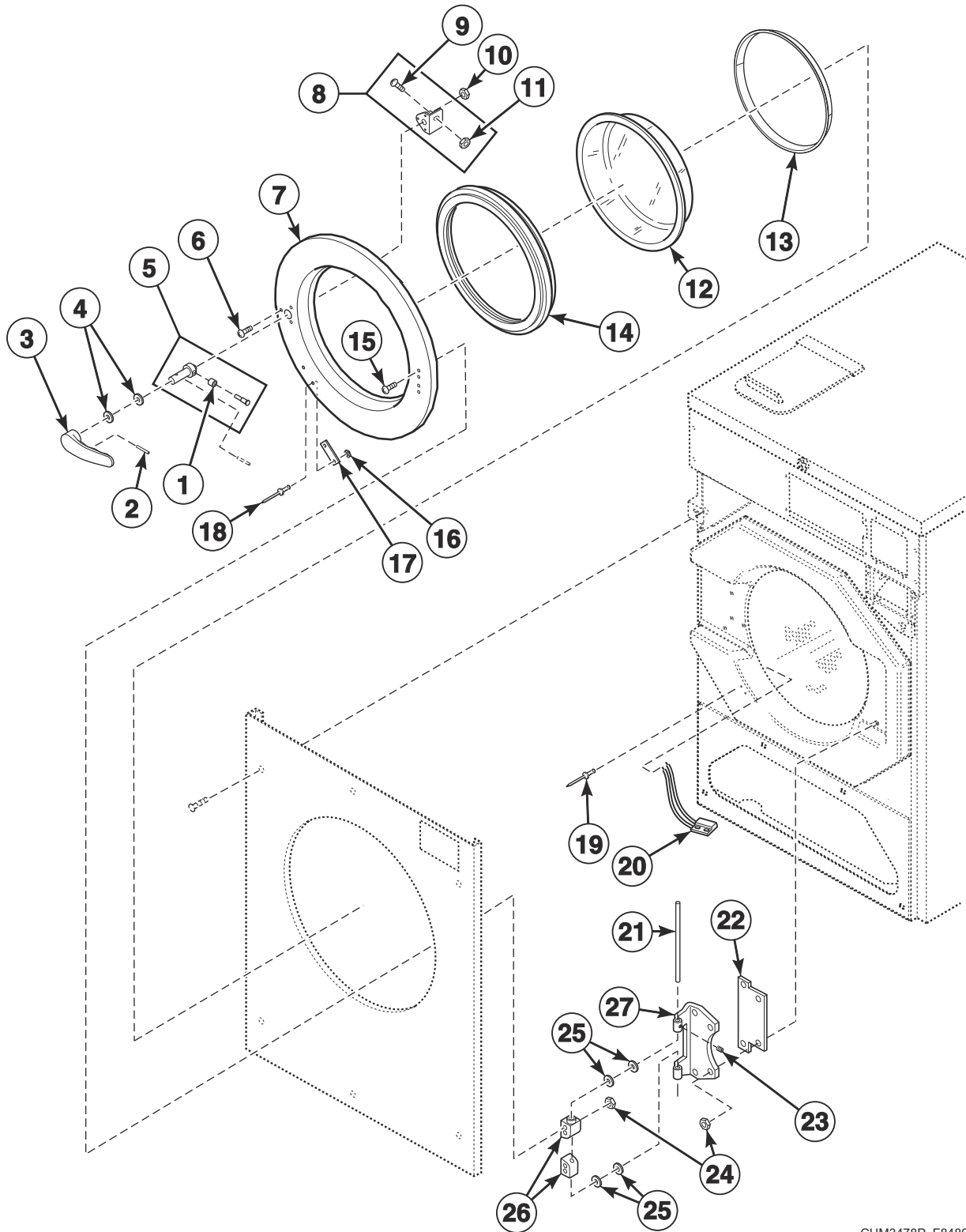


CHM3478P\_F8489201

## Door - 30 Pound Models

REF	PART NO.	DESCRIPTION	COMMENTS
	F8617301	Door Assembly	CC, IC and SC models; UC models through 8/13/14; Includes items 1-18 and 21-27; Black
	F8617302	Door Assembly	CC, IC and SC models; Includes items 1-18 and 21-27; Chrome
	F8187308	Door Assembly	UC models; Models starting 8/14/14; Includes items 1-18 and 21-27
1	F8221701	Bearing Sleeve	
2	F431222	Spring Pin	
3	F8624603	Door Handle	CC and IC models; Chrome
	F8199401P	Door Handle	SC models; UC models through 8/13/14; Black
	F8435501	Door Handle	UC models; Models starting 8/14/14
4	F431916	Washer	
5	F8221403	Door Latch Arm Assembly	
6	F8535501	Screw	
	F8508101	Bolt	Chrome
7	F0602837-02	Door	
	F8752601	Door	Chrome
8	F8567501	Door Handle Spacer Kit	Includes items 9 and 11
9	F430533	Screw	
10	F430232	Nut	
11	F431041	Nut	
12	F8485301P	Door Glass	
13	F8583202	Door Glass Trim	
14	F8111602	Door Gasket	Black
15	F430974	Bolt	
	F8508101	Bolt	Polished
16	F431113	Washer	
17	F8390801	Magnet	
18	F431223	Pop Rivet	
19	F8245101	Blind Rivet	
20	F8066802	Reed Switch Assembly	
21	F602813-2	Rod	
22	F200131000P	Door Hinge Shim Kit	
23	F430536	Screw	
24	F430215	Nut	
25	F431929	Washer	
26	F150271	Door Mount	
27	F190216P	Door Hinge	

# Door - 40 and 60 Pound Models

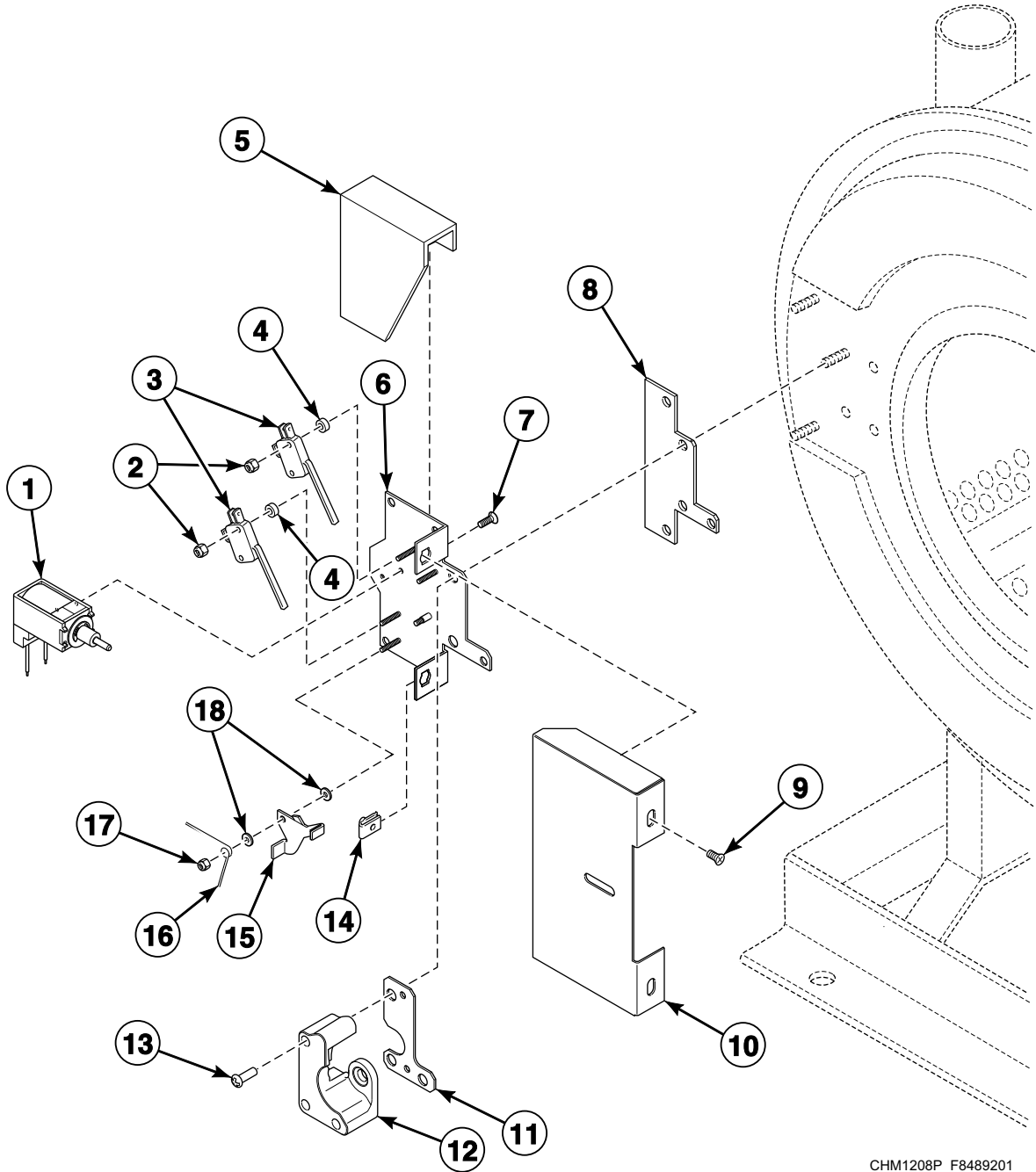


CHM3478P\_F8489201

## Door - 40 and 60 Pound Models

REF	PART NO.	DESCRIPTION	COMMENTS
	F8187411P	Door Assembly	CC, IC and SC models; UC models through 8/13/14; Includes items 1-18 and 21-27; Chrome
	F8187408	Door Assembly	UC models; Models starting 8/14/14; Includes items 1-18 and 21-27
1	F8221701	Bearing Sleeve	
2	F431222	Spring Pin	
3	F8199401P	Door Handle	SC models; UC models through 8/13/14; Black
	F8435501	Door Handle	UC models; Models starting 8/14/14
	F8624603	Door Handle	CC and IC models; Chrome
4	F431916	Washer	
5	F8221403	Door Latch Arm Assembly	
6	F8535501	Screw	
	F8508101	Bolt	Chrome
7	F602842-2	Door	Vertical brush
	F8752701	Door	Polished
	F8507702	Door	Horizontal brush
8	F8567501	Door Handle Spacer Kit	Includes items 9 and 11
9	F430533	Screw	
10	F430232	Nut	
11	F431041	Nut	
12	F8485401P	Door Glass	
13	F8583203	Door Glass Trim	
14	F8111502	Door Gasket	Black
15	F430974	Bolt	
	F8508101	Bolt	Polished
16	F431113	Washer	
17	F8390801	Magnet	
18	F431223	Pop Rivet	
19	F8245101	Blind Rivet	
20	F8066802	Reed Switch Assembly	
21	F602813-3	Rod	
22	F200131000P	Door Hinge Shim Kit	
23	F430536	Screw	
24	F430215	Nut	
25	F431929	Washer	
26	F150271	Door Mount	
27	F190216P	Door Hinge	

# Door Lock



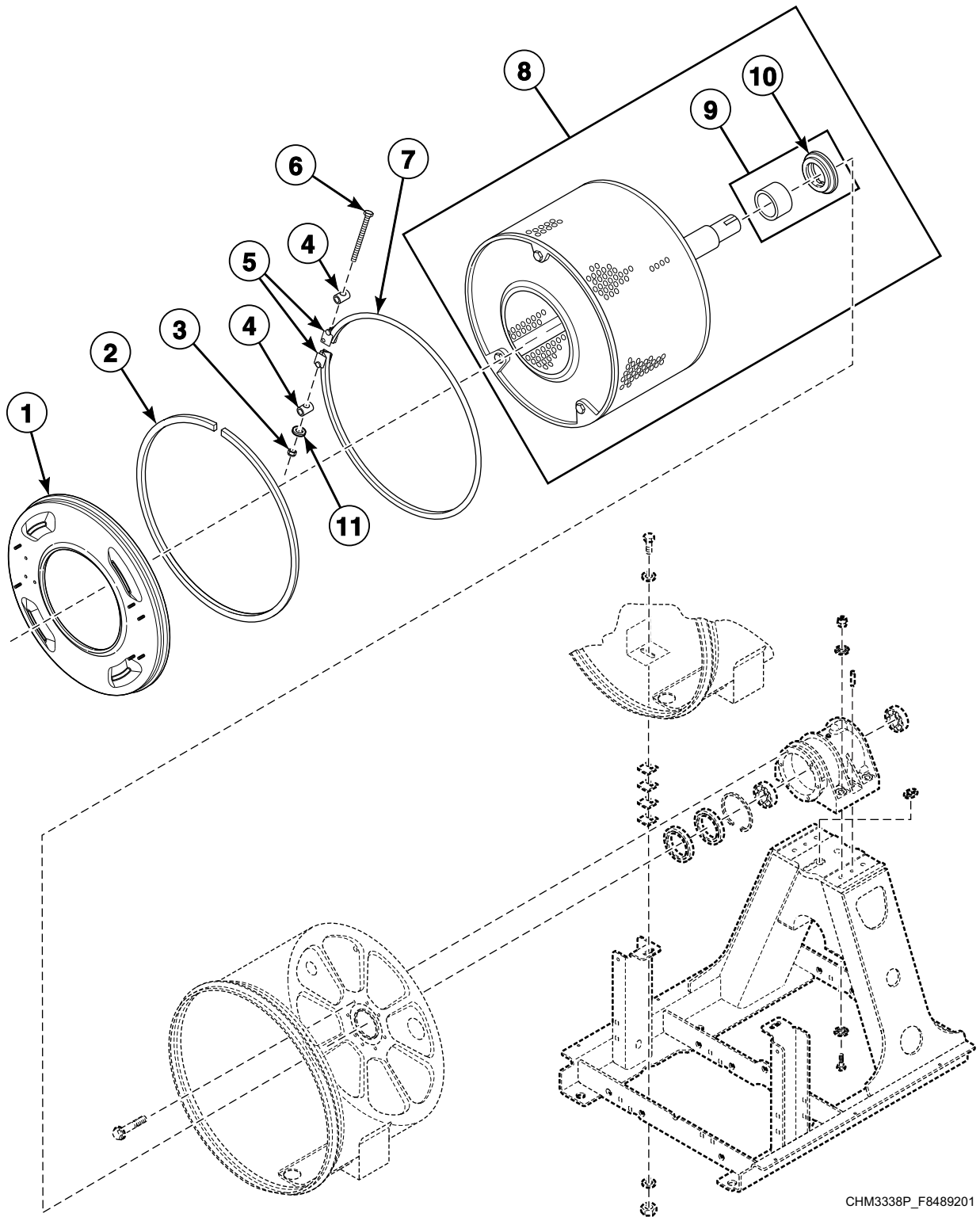
CHM1208P\_F8489201



# Door Lock

REF	PART NO.	DESCRIPTION	COMMENTS
	F8632401	Door Lock Assembly	
	F8340001	External Door Lock Harness	
1	F977P3	Door Lock Solenoid Replacement Kit	Includes F8340101 Solenoid
2	F430225	Nut	
3	F200203200	Door Lock Microswitch	
4	F431901	Spacer	
5	F320200	Door Lock Splash Shield	
6	F8223202	Door Lock Plate Assembly	
7	F430977	Screw	
8	F8344401	Door Lock Plate Shim	
9	F430956	Screw	
10	F8245001	Door Lock Cover	
11	F8484401	Shim	Models through 9/9/14 with F8567501 Door Handle Spacer
12	F8344501	Door Lock Catch	
13	F8270701	Bolt	
14	F430264	Nut	
15	F8223401	Door Lock Switch Lever	
16	F8070301	Torsion/Door Lock Spring	
17	F430232	Nut	
18	F431902	Washer	

# Shell Front and Basket

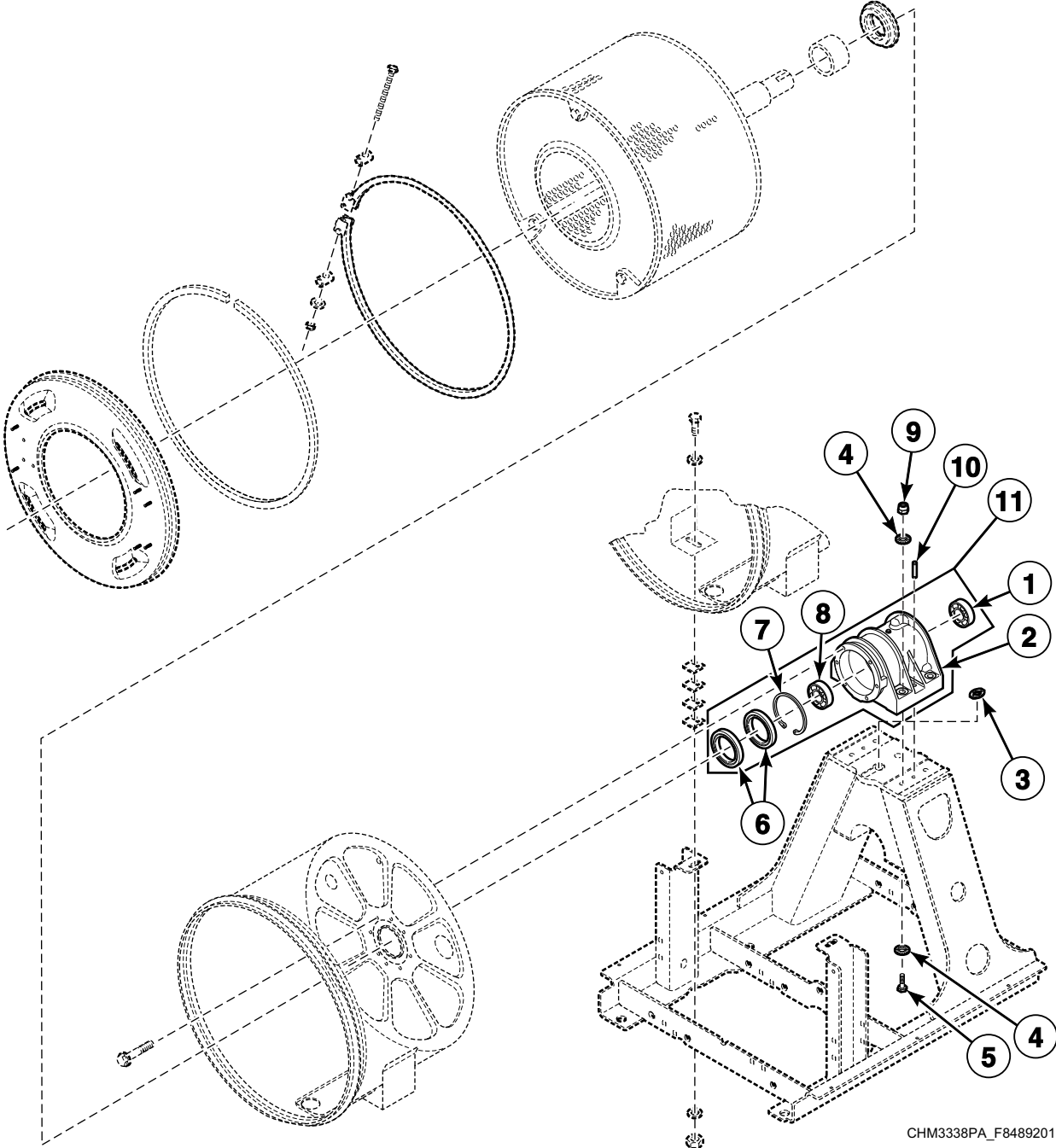


CHM3338P\_F8489201

# Shell Front and Basket

REF	PART NO.	DESCRIPTION	COMMENTS
	389P4	Basket Tool Kit	Purchase; Requires F460129P Basket Puller Tool
	390P4-1	Basket Rental Tool Kit	Requires F460126P Bearing Puller Tool
	F460129P	Basket Puller Tool	
	F8608502	Basket Pulley Puller Tool	Use with F460129P Basket Puller Tool
	F980204341	Basket and Bearing Assembly	20 pound models; Viton; Includes item 8 and F8271602 Bearing House Assembly
	F980204342	Basket and Bearing Assembly	30 pound models; Viton; Includes item 8 and F8271702 Bearing House Assembly
	F980204343	Basket and Bearing Assembly	40 pound models; Viton; Includes item 8 and F8271802 Bearing House Assembly
	F980204344	Basket and Bearing Assembly	60 pound models; Viton; Includes item 8 and F8271902 Bearing House Assembly
	F8388001	Clamp Ring Assembly	20 pound models; Includes items 5 and F602297 Outer Shell Band
	F8388002	Clamp Ring Assembly	30 pound models; Includes items 5 and F631838 Outer Shell Band
	F8388003	Clamp Ring Assembly	40 pound models; Includes items 5 and F603108 Outer Shell Band
	F8388004	Clamp Ring Assembly	60 pound models; Includes items 5 and F603207 Outer Shell Band
<b>1</b>	F8229401	Shell Front Assembly	20 pound models
	F8229501	Shell Front Assembly	30 pound models
	F8229601	Shell Front Assembly	40 pound models
	F8229701	Shell Front Assembly	60 pound models
<b>2</b>	F8513501	Shell Front Gasket Kit	
<b>3</b>	F430218	Nut	
<b>4</b>	F8302701	Pin	
<b>5</b>	F8302402	Clamp Ring Bracket	
<b>6</b>	800462	Screw	
<b>7</b>	F8537801	Shell Band Kit	20 pound models; Includes items 2-6 and 11
	F8537802	Shell Band Kit	30 pound models; Includes items 2-6 and 11
	F8537803	Shell Band Kit	40 pound models; Includes items 2-6 and 11
	F8537804	Shell Band Kit	60 pound models; Includes items 2-6 and 11
<b>8</b>	F8391302	Basket Assembly	20 pound models; Includes items 9 and 10; Standard
	F8391304	Basket	20 pound models; Viton
	F8391502	Basket Assembly	30 pound models; Standard
	F8391504	Basket Assembly	30 pound models; Viton
	F8391702	Basket Assembly	40 pound models; Includes items 9 and 10; Standard
	F8391704	Basket	40 pound models; Viton
	F8502802	Basket Assembly	60 pound models; Replaces F8391901P Basket Assembly; Includes items 9 and 10; Standard
	F8502805	Basket Assembly	60 pound models; Viton
<b>9</b>	F8343901P	Shaft Seal Sleeve Kit	20 pound models; Includes item 10
	F8343904P	Shaft Seal Sleeve Kit	30 pound models; Includes item 10
	F8343906P	Shaft Seal Sleeve Kit	40 pound models; Includes item 10
	F8343909P	Shaft Seal Sleeve Kit	60 pound models; Includes item 10; Use with F8391901P Basket Assembly
	F8343914	Shaft Seal Sleeve	60 pound models; Use with F8502802 Basket Assembly
<b>10</b>	F8336801	Excluder Seal	20 pound models
	F8336802	Excluder Seal	20 pound models; Viton
	F8336901	Excluder Seal	30 pound models
	F8336902	Excluder Seal	30 pound models; Viton
	F8337001	Excluder Seal	40 pound models
	F8337002	Excluder Seal	40 pound models; Viton
	F8337101	Excluder Seal	60 pound models
	F8527701	Excluder Seal	60 pound models; Viton
<b>11</b>	M400081	Washer	

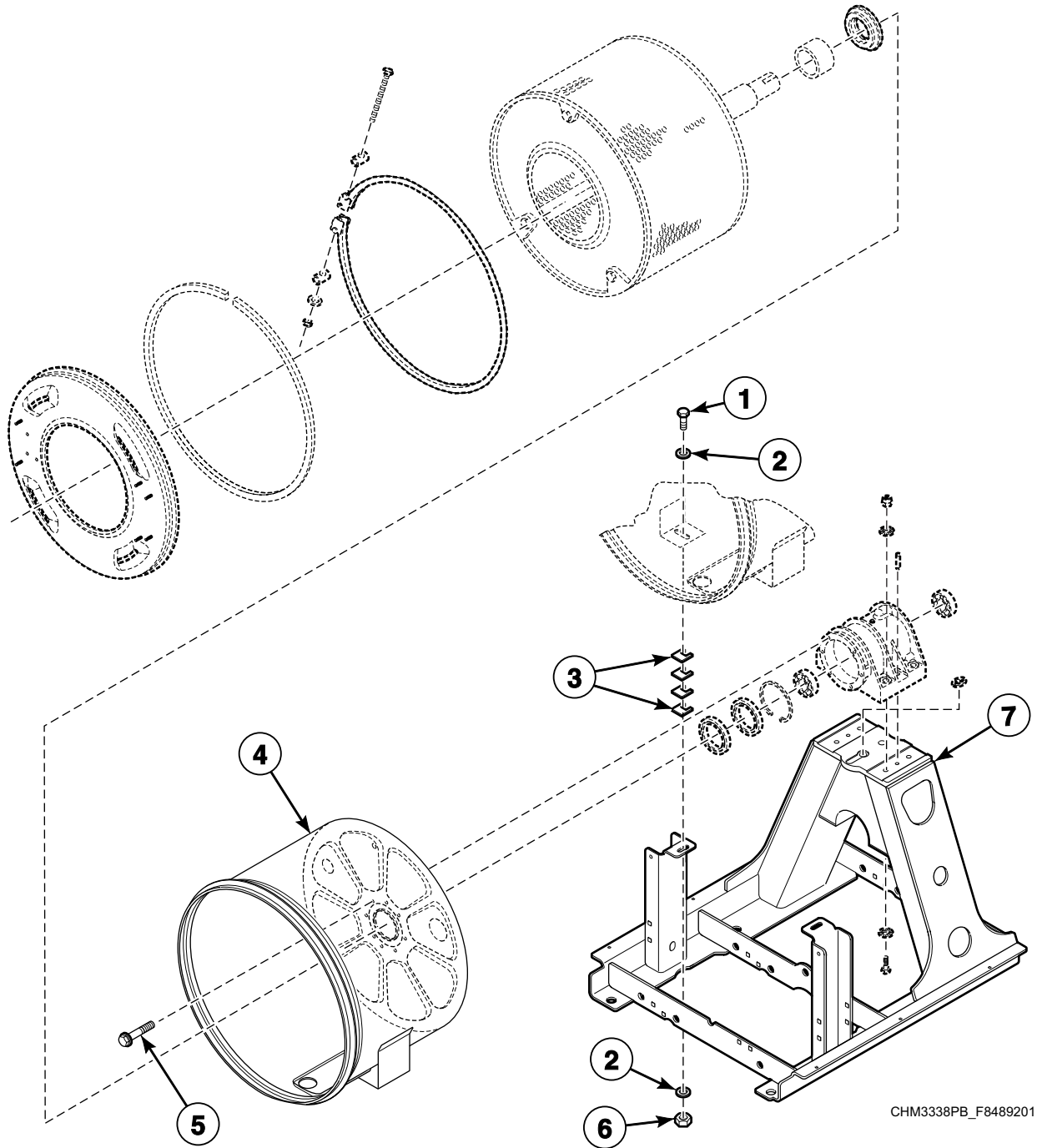
# Bearing Housing



# Bearing Housing

REF	PART NO.	DESCRIPTION	COMMENTS
	389P4	Basket Tool Kit	Purchase; Requires F460129P Basket Puller Tool
	390P4-1	Basket Rental Tool Kit	Requires F460126P Bearing Puller Tool
	F460129P	Basket Puller Tool	
	F8608502	Basket Pulley Puller Tool	Use with F460129P Basket Puller Tool
	F980204341	Basket and Bearing Assembly	20 pound models; Viton; Includes item 11 and F8391304 Basket
	F980204342	Basket and Bearing Assembly	30 pound models; Viton; Includes item 11 and F8391504 Basket Assembly
	F980204343	Basket and Bearing Assembly	40 pound models; Viton; Includes item 11 and F8391704 Basket
	F980204344	Basket and Bearing Assembly	60 pound models; Viton; Includes item 11 and F8502805 Basket Assembly
1	F100137P	Bearing	20 and 40 pound models; 6308 2RS C3; Front
	F100123P	Bearing	30 pound models; 6309 2RS C3; Front
	F100135	Bearing	60 pound models; 6313 2RS C3; Front
2	F8744401P	Bearing Housing	20 pound models
	F8246802	Bearing Housing	30 pound models
	F8744601R	Bearing Housing	40 pound models
	F8250902	Bearing Housing	60 pound models
3	F8350301	Seal Scupper Pad	20 and 30 pound models
	F8350302	Seal Scupper Pad	40 pound models
	F8350303	Seal Scupper Pad	60 pound models
4	F8366601	Washer	20 pound models
	F430339	Washer	All other models
5	F8368701	Screw	20 pound models
	F8368801	Screw	All other models
6	F8203801	Triple Lip Seal	20 pound models; Standard
	F8203813	Triple Lip Seal	20 pound models; Viton
	F8203802	Triple Lip Seal	30 pound models; Standard
	F8203814	Triple Lip Seal	30 pound models; Viton
	F8203803	Triple Lip Seal	40 pound models; Standard
	F8203815	Triple Lip Seal	40 pound models; Viton
	F8203806	Triple Lip Seal	60 pound models; Standard
	F8203808	Radial Seal	60 pound models; Viton
7	F8344901	Retaining Ring	20 pound models
	F8345001	Retaining Ring	30 pound models
	F8337801	Retaining Ring	40 pound models
	F8337901	Retaining Ring	60 pound models
8	F100136P	Bearing	20 pound models; 6307 2RS C3; Rear
	F100108	Bearing	30 pound models; 6208 2RS C3; Rear
	F100134	Bearing	40 and 60 pound models; 6310 2RS C3; Rear
9	F8387601	Nut	20 pound models
	F8387701	Nut	All other models
10	F8388101	Dowel Pin	20 pound models
	F8388201	Dowel Pin	All other models
11	F8271601P	Bearing Housing Assembly	20 pound models; Standard
	F8271602	Bearing Housing Assembly	20 pound models; Viton
	F8271701P	Bearing Housing Assembly	30 pound models; Standard
	F8271702	Bearing Housing Assembly	30 pound models; Viton
	F8271801P	Bearing Housing Assembly	40 pound models; Standard
	F8271802	Bearing Housing Assembly	40 pound models; Viton
	F8271901P	Bearing Housing Assembly	60 pound models; Standard
	F8271902	Bearing Housing Assembly	60 pound models; Viton

# Shell and Frame

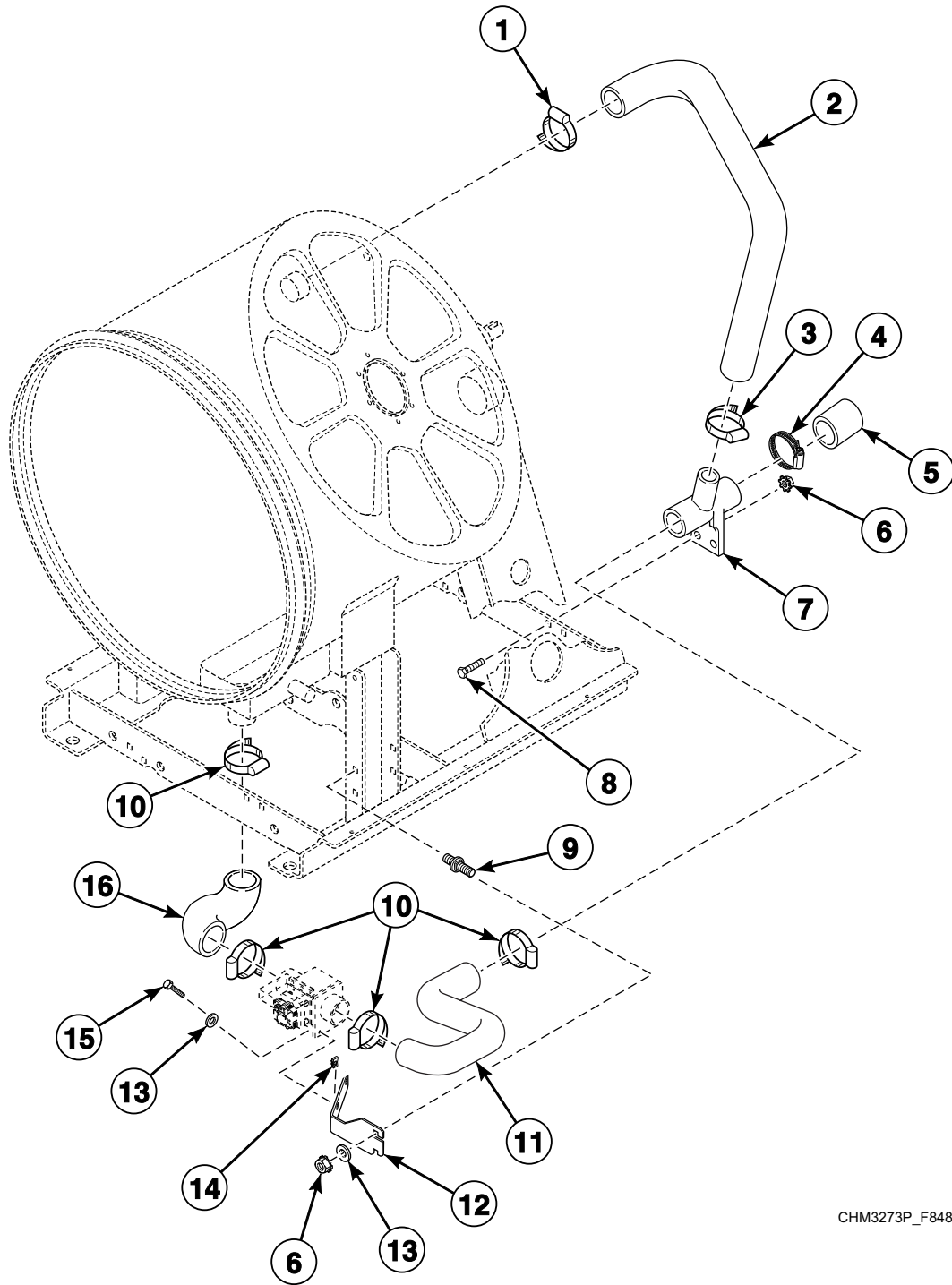


CHM3338PB\_F8489201

## Shell and Frame

REF	PART NO.	DESCRIPTION	COMMENTS
	F8433301	Frame Template	20 pound models
	F8433401	Frame Template	30 pound models
	F8433501	Frame Template	40 pound models
	F8433601	Frame Template	60 pound models
	1111P	Concrete Kit	5/8 inch
<b>1</b>	F8621601	Screw	
<b>2</b>	M400081	Washer	
<b>3</b>	F8402701	Washer	
<b>4</b>	F8360602	Shell Weldment	20 pound models; Steam and electric heat
	F8360603	Shell Weldment	20 pound models; Standard
	F8360702	Shell Weldment	30 pound models; Steam and electric heat
	F8360703	Shell Weldment	30 pound models; Standard
	F8360802	Shell Weldment	40 pound models; Steam and electric heat
	F8360803	Shell Weldment	40 pound models; Standard
	F8360902	Shell Weldment	60 pound models; Steam and electric heat
	F8360903	Shell Weldment	60 pound models; Standard
<b>5</b>	F8442702	Screw	
<b>6</b>	44087301	Nut	
<b>7</b>	F8247002	Frame Weldment	20 pound models
	F8248002	Frame Weldment	30 pound models
	F8249001	Frame Weldment	40 pound models
	F8250002	Frame Weldment	60 pound models

# Drain Plumbing



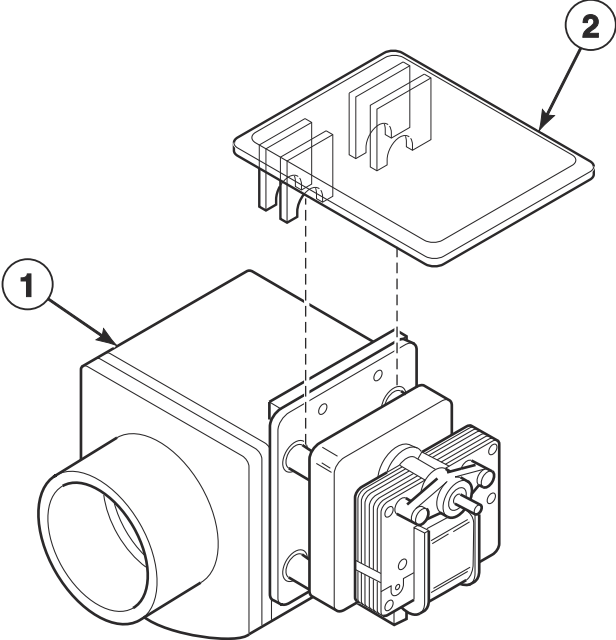
CHM3273P\_F8489201



## Drain Plumbing

REF	PART NO.	DESCRIPTION	COMMENTS
1	F200213	Hose Clamp	No. 40
2	F8367901	Overflow Hose	20 pound models
	F8368001	Overflow Hose	30 pound models
	F8367201	Overflow Hose	40 and 60 pound models
3	F200215	Hose Clamp	No. 28; 20 and 30 pound models
	F200213	Hose Clamp	No. 40; 40 and 60 pound models
4	F200201	Hose Clamp	No. 56; 40 and 60 pound models
5	F200165100	Drain Hose	40 and 60 pound models
6	44087201	Nut	
7	F8017101	Drain Connector Tee	20 and 30 pound models
	F8752101	Drain Tee	40 and 60 pound models
8	F430522	Bolt	20 and 30 pound models
	F8402801	Bolt	40 and 60 pound models
9	70334702	Stud	
10	F200213	Hose Clamp	No. 40; 20 and 30 pound models
	F200201	Hose Clamp	No. 56; 40 and 60 pound models
11	F8365601	Rear Drain Hose	20 pound models
	F8365602	Rear Drain Hose	30 pound models
	F8231904	Rear Drain Hose	40 pound models
	F8231905	Rear Drain Hose	60 pound models
12	F8365401	Bracket	20 pound models
	F8365402	Bracket	30 pound models
	F8434601	Bracket	40 pound models
	F8434701	Bracket	60 pound models
13	M405535	Washer	
14	70030401	Nut	
15	202175	Screw	
16	F8261302	Drain Hose	20 and 30 pound models
	F8261303	Drain Hose	20 and 30 pound models; Electric heat
	F8232901	Drain Hose	40 and 60 pound models
	F8464701	Drain Hose	40 and 60 pound models; Electric heat

# Drain Valve Assembly - 20 and 30 Pound Models

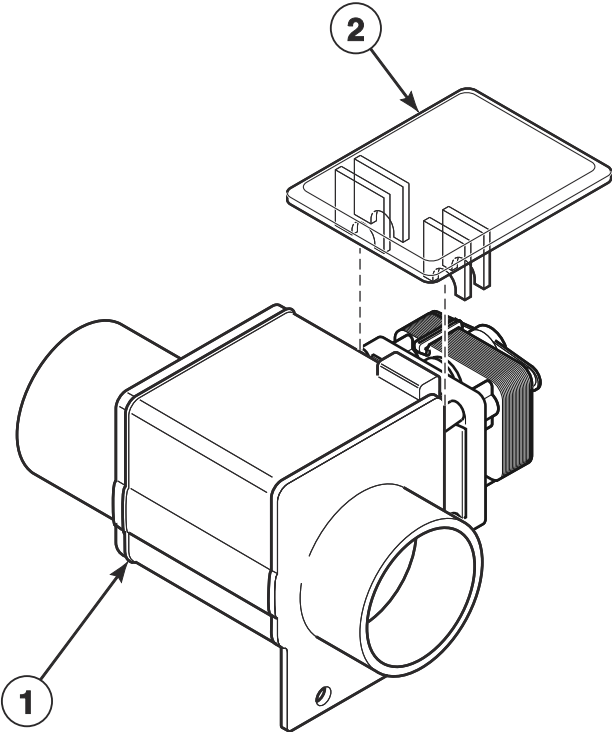


CHM3547P

## Drain Valve Assembly - 20 and 30 Pound Models

REF	PART NO.	DESCRIPTION	COMMENTS
	F8504601	Spring	Use with item 1
1	803292P	Gravity Drain Valve	220 Volt
	803293P	Gravity Drain Valve	120 Volt
2	F200133600	Drain Valve Cover	

# Drain Valve Assembly - 40 and 60 Pound Models

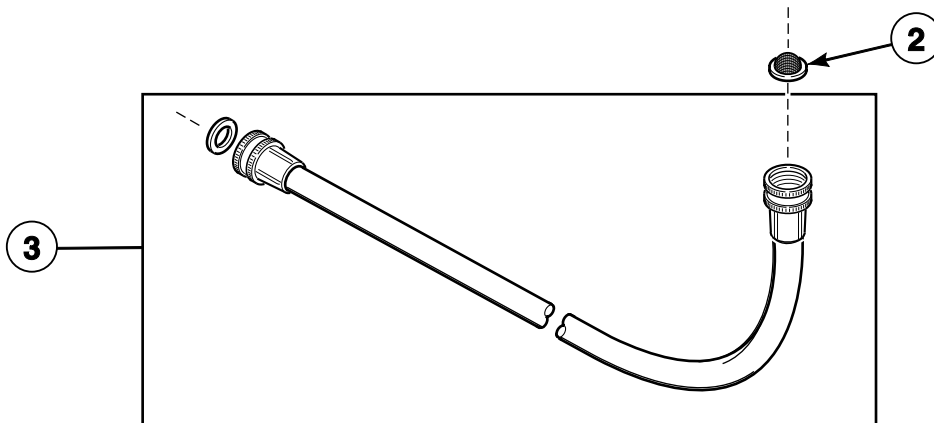
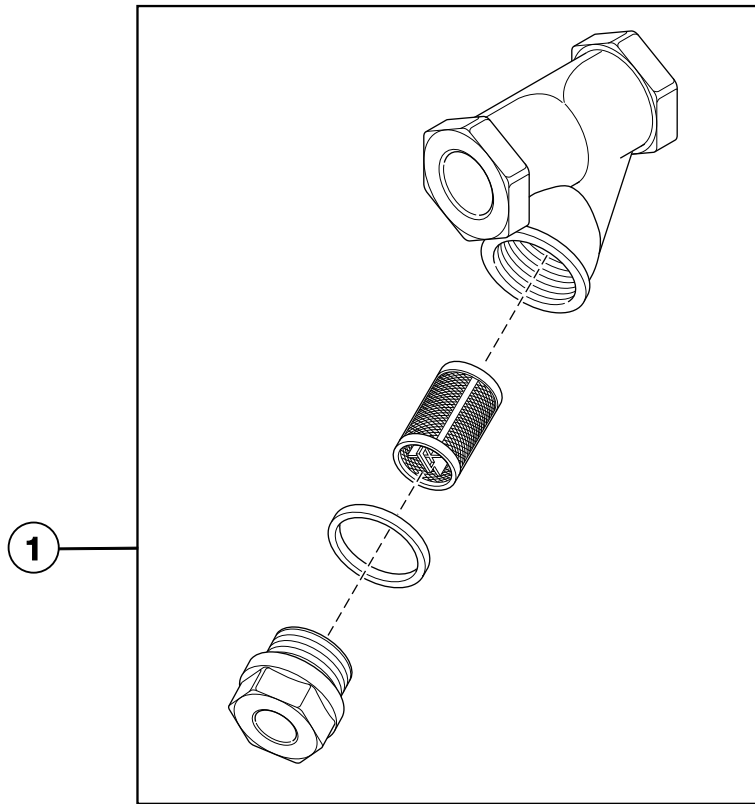


CHM3546P

## Drain Valve Assembly - 40 and 60 Pound Models

REF	PART NO.	DESCRIPTION	COMMENTS
	F8562001	Drain Seal Kit	Use with F8602602 Drain Valve
1	F8602602	Drain Valve	240 Volt
2	F200133600	Drain Valve Cover	

# Steam Filter (Optional) and Water Supply Hose

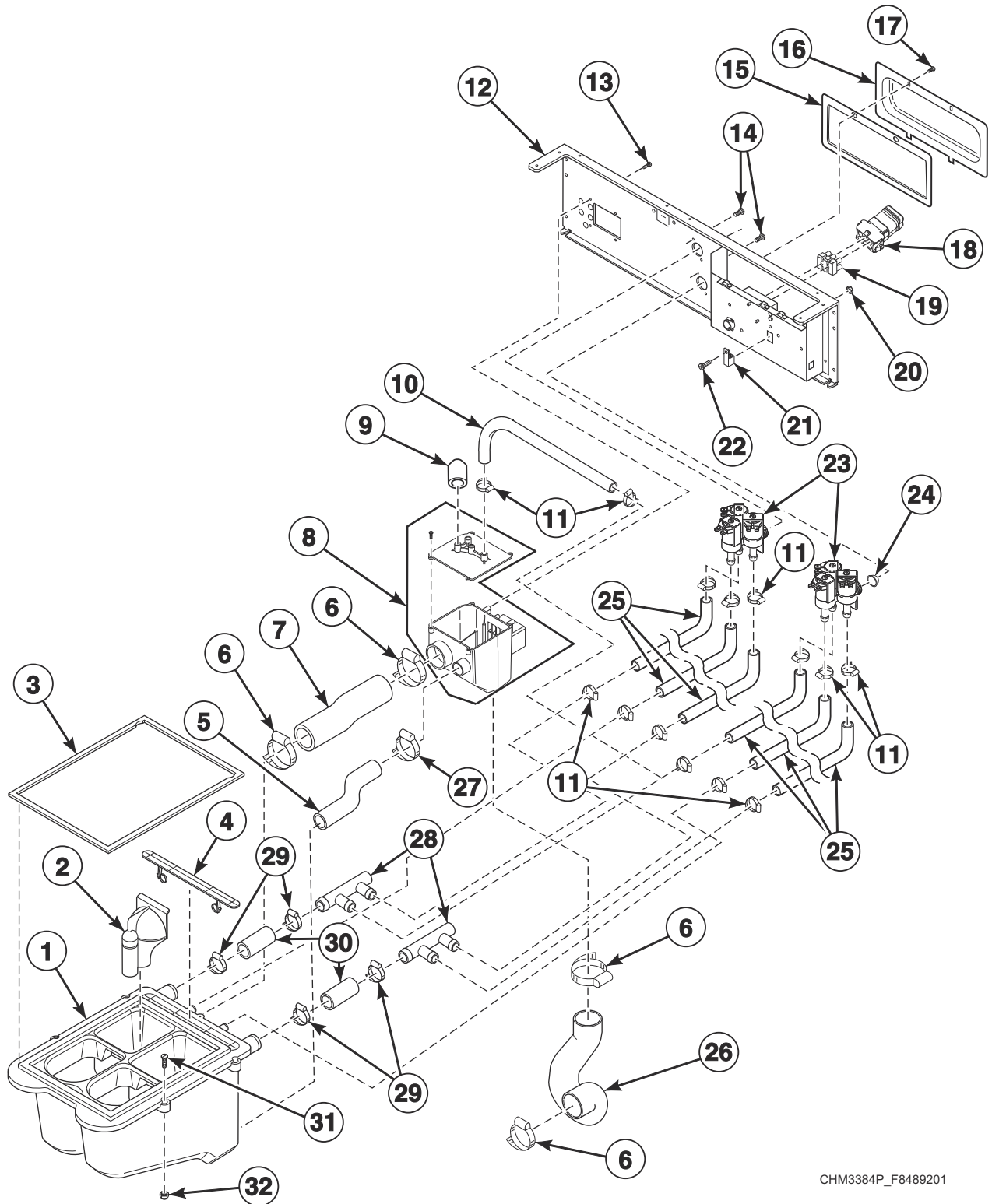


CHM3049P\_F8489201

## Steam Filter (Optional) and Water Supply Hose

REF	PART NO.	DESCRIPTION	COMMENTS
1	F270307	Steam Filter	1/2 inch
	F270308	Steam Filter	3/4 inch
2	803615	Washer	Filter
3	F8665601	Water Hose Kit	Standard thread; Red (hot); Includes 20290 Washer and 803615 Washer
	F8665603	Water Hose Kit	Standard thread; Blue (cold); Includes 20290 Washer and 803615 Washer
	F8665602	Water Hose Kit	Metric thread; Red (hot); Includes 20290 Washer and 803615 Washer
	F8665604	Water Hose Kit	Metric thread; Blue (cold); Includes 20290 Washer and 803615 Washer
	F8544601	Fill Hose Kit	WRAS; Includes F8301201 Double Check Valve and F8665602 Water Hose Kit

# Fill Plumbing Assembly



CHM3384P\_F8489201

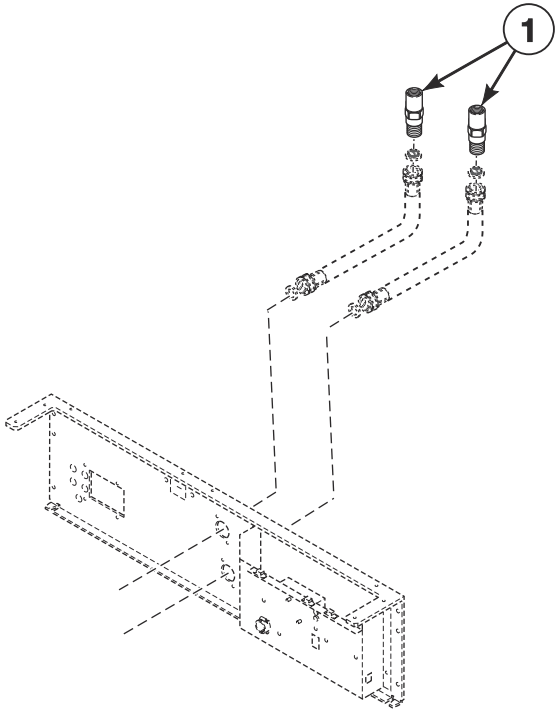


## Fill Plumbing Assembly

REF	PART NO.	DESCRIPTION	COMMENTS
	G582P3	Diaphragm and Guide Kit	Use with F8286401P 3-Way Valve and F8286402P 3-Way Valve
1	F8047401	Dispenser Assembly	Models through 10/15/12
	F8047402	Dispenser Assembly	Includes items 2 and 4; Models starting 10/16/12
2	F8047901	Siphon Cover	
3	F8308301	Dispenser Gasket	
4	F8047801	Access Cover	
5	F8043401	Dispenser Overflow Hose	20 pound models
	F8043403	Dispenser Overflow Hose	30 pound models
	F8043404	Dispenser Overflow Hose	40 pound models
	F8043405	Supply Overflow Hose	60 pound models
6	F200213	Hose Clamp	No. 40
7	F8042801	Vacuum Supply Hose	20 pound models
	F8042803	Vacuum Supply Hose	30 pound models
	F8042804	Vacuum Supply Hose	40 pound models
	F8042805	Vacuum Supply Hose	60 pound models
8	F8048601	Vacuum Breaker Assembly	
9	F8197701	Cap	
10	F0200244-01	Vacuum Breaker Hose	60 pound models
	F0200244-02	Vacuum Breaker Hose	All other models
11	36801	Hose Clamp	No. 8
12	F8398701	Valve Panel	20 pound models
	F8398801	Valve Panel	30 pound models
	F8398901	Valve Panel	40 pound models
	F8399001	Valve Panel	60 pound models
13	800548	Screw	
14	F8230301	Screw	
15	F8230001	Terminal Tray Cover Gasket	
16	F8177001	Terminal Tray Cover	
17	F8206901	Screw	
18	F8454401	Filter	
	F8454601	Harness	
19	430642	Terminal Block	Includes screws
20	F430232	Nut	
21	M411283	Ground Lug Connector	
22	F430909	Screw	
23	F8286401P	3-Way Valve	240 Volt/50 or 60 Hertz; U.S.
	F8286402P	3-Way Valve	240 Volt/50 or 60 Hertz; Metric
24	803615	Washer	Filter
25	F8232004	Hose	20 pound models
	F8232001	Hose	30 pound models
	F8232002	Hose	40 and 60 pound models
26	F8042201	P-Trap Hose	20 pound models
	F8042204	P-Trap Hose	30 and 40 pound models
	F8042301	P-Trap Hose	60 pound models
27	20211	Hose Clamp	No. 17
28	F8333201	Manifold	
29	F200222	Hose Clamp	No. 12
30	F606816-1	Hose	
31	F8535601	Screw	
32	F0431807-00	Nut	

# Double Check Valve

WRAS Compliant Models



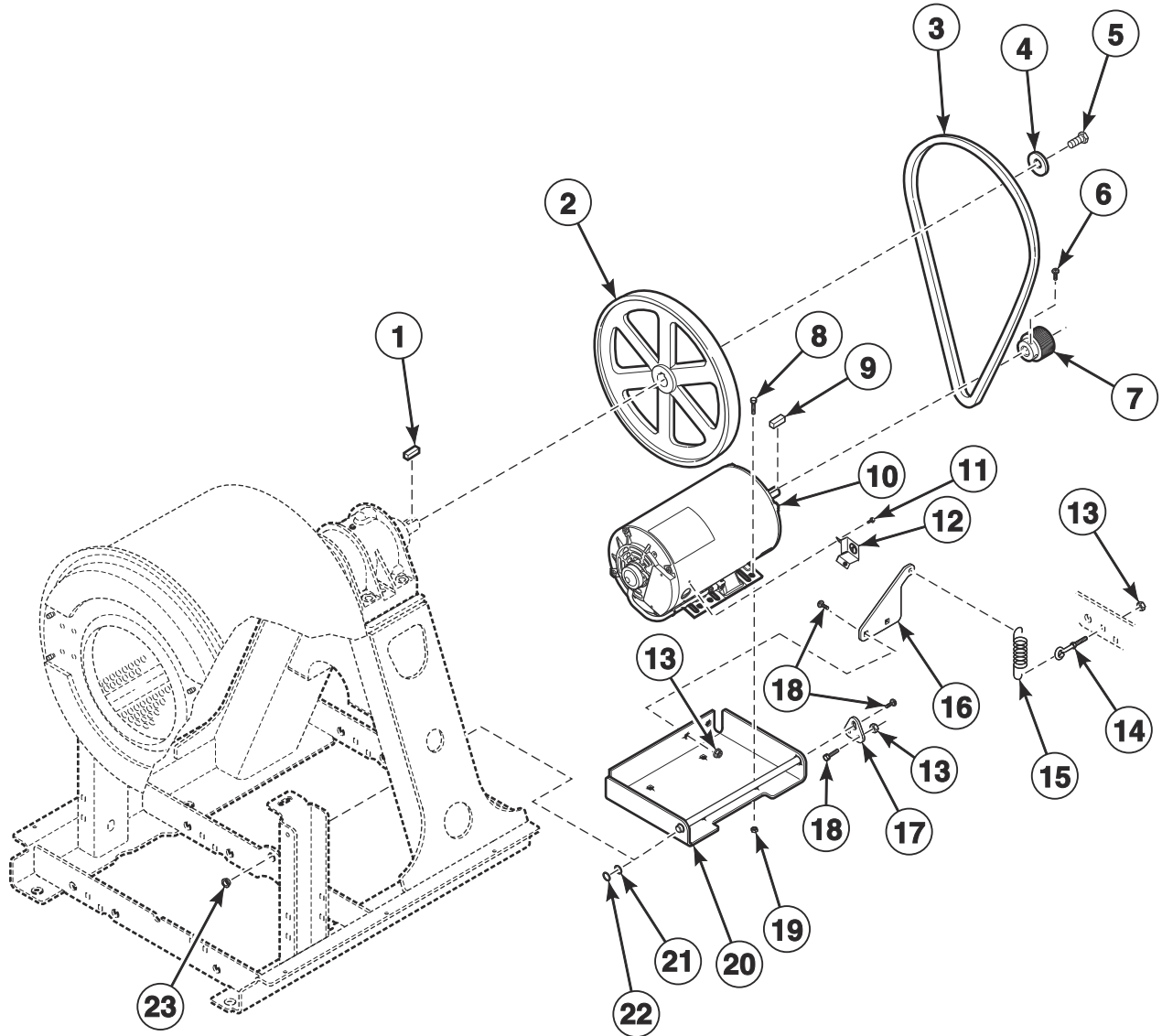
CHM3393P\_F8489201

# Double Check Valve

REF	PART NO.	DESCRIPTION	COMMENTS
1	F8301201	Double Check Valve	

# Motor, Pulley and Belt (Drawing 1 of 3)

20 Pound Models with N and P-Voltage  
30, 40 and 60 Pound Models Through September 30, 2014



CHM3385P\_F8489201

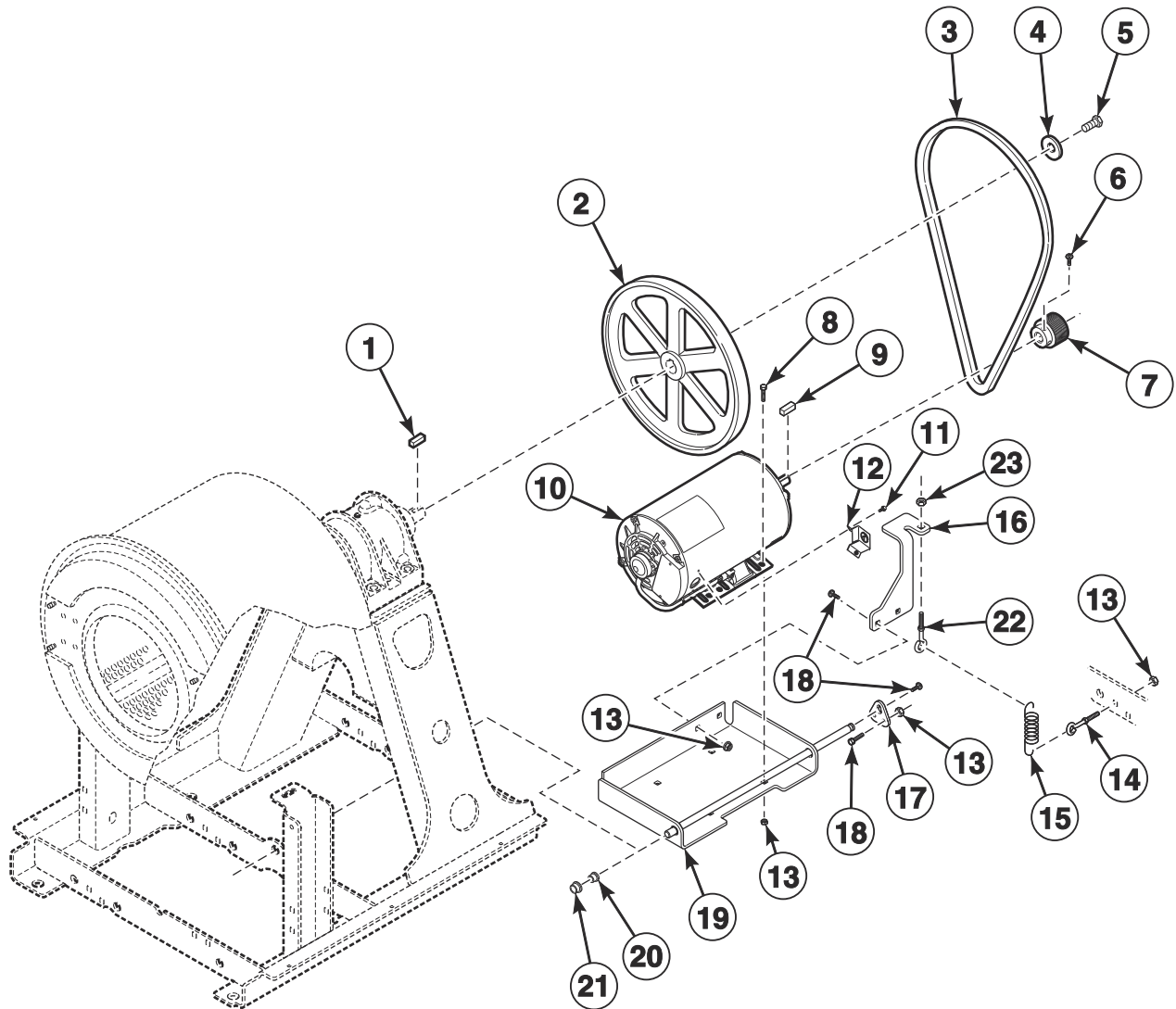
## Motor, Pulley and Belt (Drawing 1 of 3)

REF	PART NO.	DESCRIPTION	COMMENTS
	F8396601	Motor Harness	30 and 40 pound models N and P-voltage; 20 and 60 pound models
	F8384901	Motor Harness	30 and 40 pound models; B, X and Q-voltage
	F8562501	Motor Isolation Kit	20 and 30 pound models; Includes F8535001 Motor Plate and F8535201 Isolator; Use with 2 hp motors
<b>1</b>	F430801	Key	
<b>2</b>	F150270	Basket Pulley	20 pound models
	F150269	Basket Pulley	30 and 40 pound models
	F200299700	Basket Pulley	60 pound models
<b>3</b>	F200201700P	Belt	20 pound models
	F8382803	Belt	30 pound models
	F8382804	Belt	40 pound models
	F8382805	Belt	60 pound models
<b>4</b>	F431115	Washer	
<b>5</b>	F8574001	Screw	
<b>6</b>	M400077	Screw	
<b>7</b>	F8362501	Motor Pulley	
<b>8</b>	800461	Screw	
<b>9</b>	H8752006H	Key	
<b>10</b>	F8335001P	Motor	20, 30 and 40 pound models
	F8335101P	Motor	60 pound models
<b>11</b>	23222	Screw	
<b>12</b>	70321701	Motor Conduit Mounting Bracket	
<b>13</b>	44087201	Nut	
<b>14</b>	F8748601	Spring Stud Kit	
<b>15</b>	F310124	Extension Spring	
<b>16</b>	F8363901	Spring Plate	
<b>17</b>	F8441101	Motor Rod Plate	
<b>18</b>	F8402801	Bolt	
<b>19</b>	F8387601	Nut	
<b>20</b>	F8441601	Motor Bracket Weldment	20 and 30 pound models
	F8562502	Motor Isolation Kit	40 and 60 pound models; Includes F8535002 Motor Plate and F8535201 Isolator; Use with 2 and 3 hp motors
<b>21</b>	F8441901	O-Ring	
<b>22</b>	F8333301	Flanged Bushing	
<b>23</b>	F8451601	Spacer	

**\*\* NOTE: AC drive parameters must be compatible with the motor and motor pulley. Please request the AC drive parameter illustration for parameter verification when ordering a motor.**

# Motor, Pulley and Belt (Drawing 2 of 3)

20 Pound Models with N and P-Voltage  
30, 40 and 60 Pound Models Starting October 1, 2014



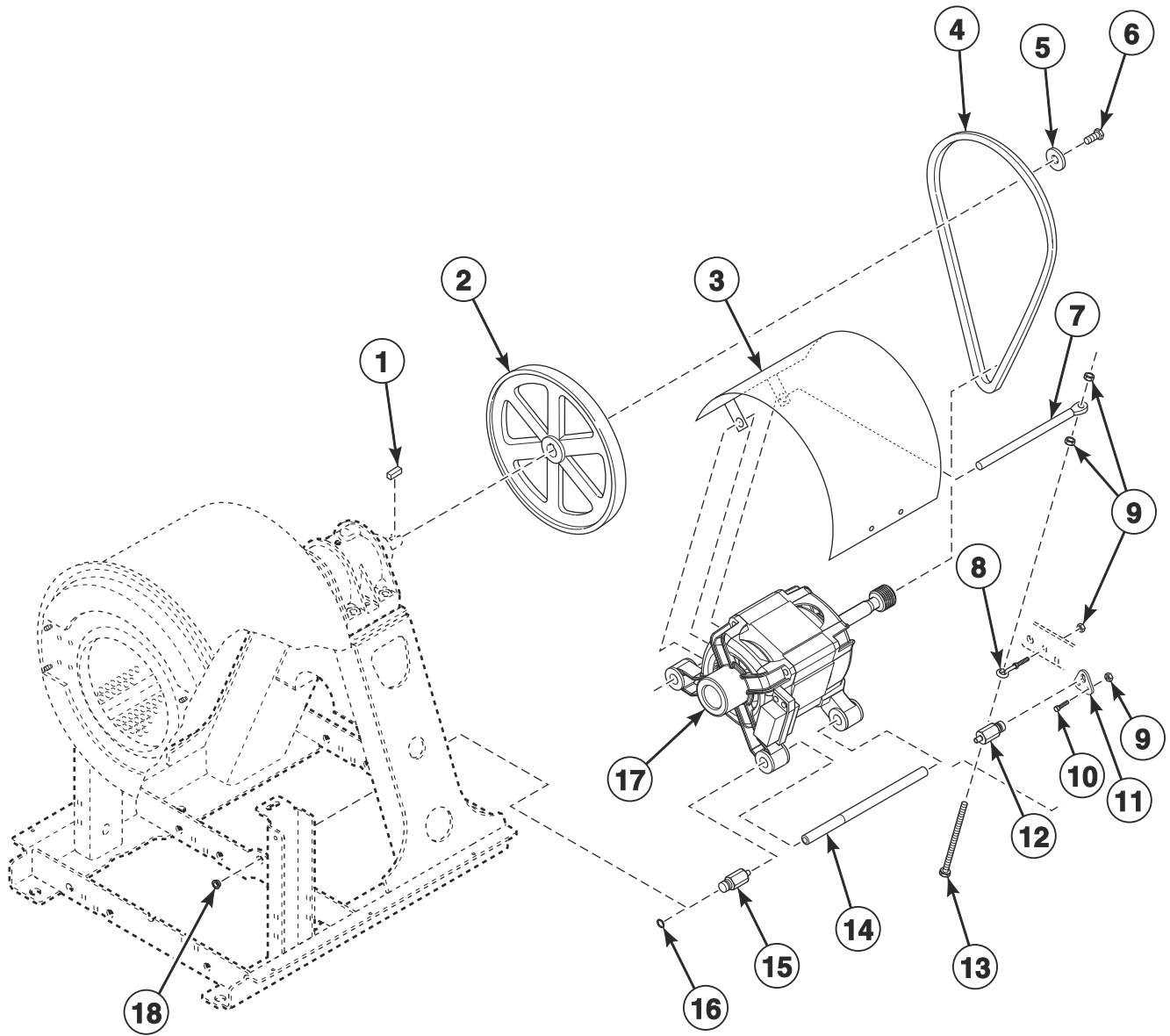
CHM3446P\_F8489201

## Motor, Pulley and Belt (Drawing 2 of 3)

REF	PART NO.	DESCRIPTION	COMMENTS
	F8562501	Motor Isolation Kit	20 and 30 pound models; Includes F8535001 Motor Plate and F8535201 Isolator; Use with 2 hp motor
	F8562502	Motor Isolation Kit	40 and 60 pound models; Includes F8535002 Motor Plate and F8535201 Isolator; Use with 2 hp motor
	F8396601	Motor Harness	30 and 40 pound models N and P-voltage; 20 and 60 pound models
	F8384901	Motor Harness	30 and 40 pound models; Q and X-voltage
<b>1</b>	F430801	Key	
<b>2</b>	F150270	Basket Pulley	20 pound models
	F150269	Basket Pulley	30 and 40 pound models
	F200299700	Basket Pulley	60 pound models
<b>3</b>	F200201700P	Belt	20 pound models
	F8382803	Belt	30 pound models
	F8382804	Belt	40 pound models
	F8382805	Belt	60 pound models
<b>4</b>	F431115	Washer	
<b>5</b>	F8574001	Screw	
<b>6</b>	M400077	Screw	
<b>7</b>	F8362501	Motor Pulley	
<b>8</b>	F8402801	Bolt	
<b>9</b>	H8752006H	Key	
<b>10</b>	F8335001P	Motor	20, 30 and 40 pound models
	F8335101P	Motor	60 pound models
<b>11</b>	23222	Screw	
<b>12</b>	70321701	Motor Conduit Mounting Bracket	
<b>13</b>	44087201	Nut	
<b>14</b>	F8748601	Spring Stud Kit	
<b>15</b>	F310124	Extension Spring	
<b>16</b>	F8525801	Spring Plate	
<b>17</b>	F8441101	Motor Rod Plate	
<b>18</b>	F8402801	Bolt	
<b>19</b>	F8441603	Motor Bracket Weldment	20 and 30 pound models
	F8589002	Motor Bracket Weldment	40 and 60 pound models
<b>20</b>	F8535202	Flanged Isolator	
<b>21</b>	F8333302	Flanged Bushing	
<b>22</b>	F8319503	Eye Bolt	
<b>23</b>	44087301	Nut	

# Motor, Pulley and Belt (Drawing 3 of 3)

20 Pound Models with B, Q and X-Voltage



CHM3450P\_F8489201

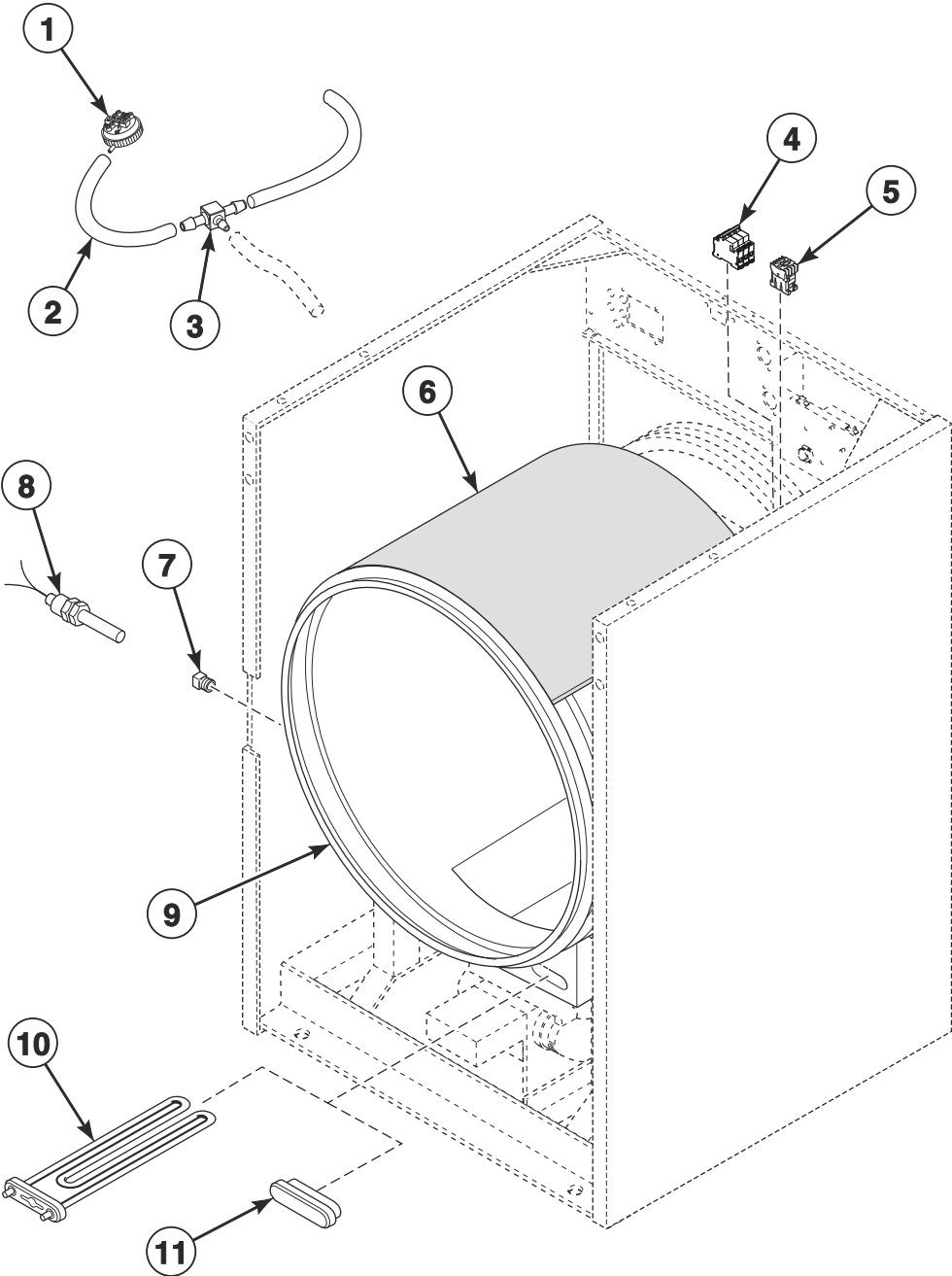


## Motor, Pulley and Belt (Drawing 3 of 3)

REF	PART NO.	DESCRIPTION	COMMENTS
	F8384801	Motor Harness	
1	F430801	Key	
2	F150270	Basket Pulley	
3	F200216900	Motor Drip Shield	
4	F8382801	Belt	
5	F431115	Washer	
6	F8574001	Screw	
7	F8361301	Spring Mount Rod	
8	F8404501	Eye Bolt	
9	44087201	Nut	
10	F8402801	Bolt	
11	F8441101	Motor Rod Plate	
12	F8387101	Motor Rod Extension	
13	F8406601	Screw	
14	801062	Motor Mount Rod	
15	F8562504	Motor Isolation Kit	Includes F8387104 Motor Rod Adapter and F8535201 Isolator
16	F8333302	Flanged Bushing	
17	801194P	Induction Motor	Includes pulley
18	F8451601	Spacer	

**\*\* NOTE: AC drive parameters must be compatible with the motor and motor pulley. Please request the AC drive parameter illustration for parameter verification when ordering a motor.**

# Electric Heat Option

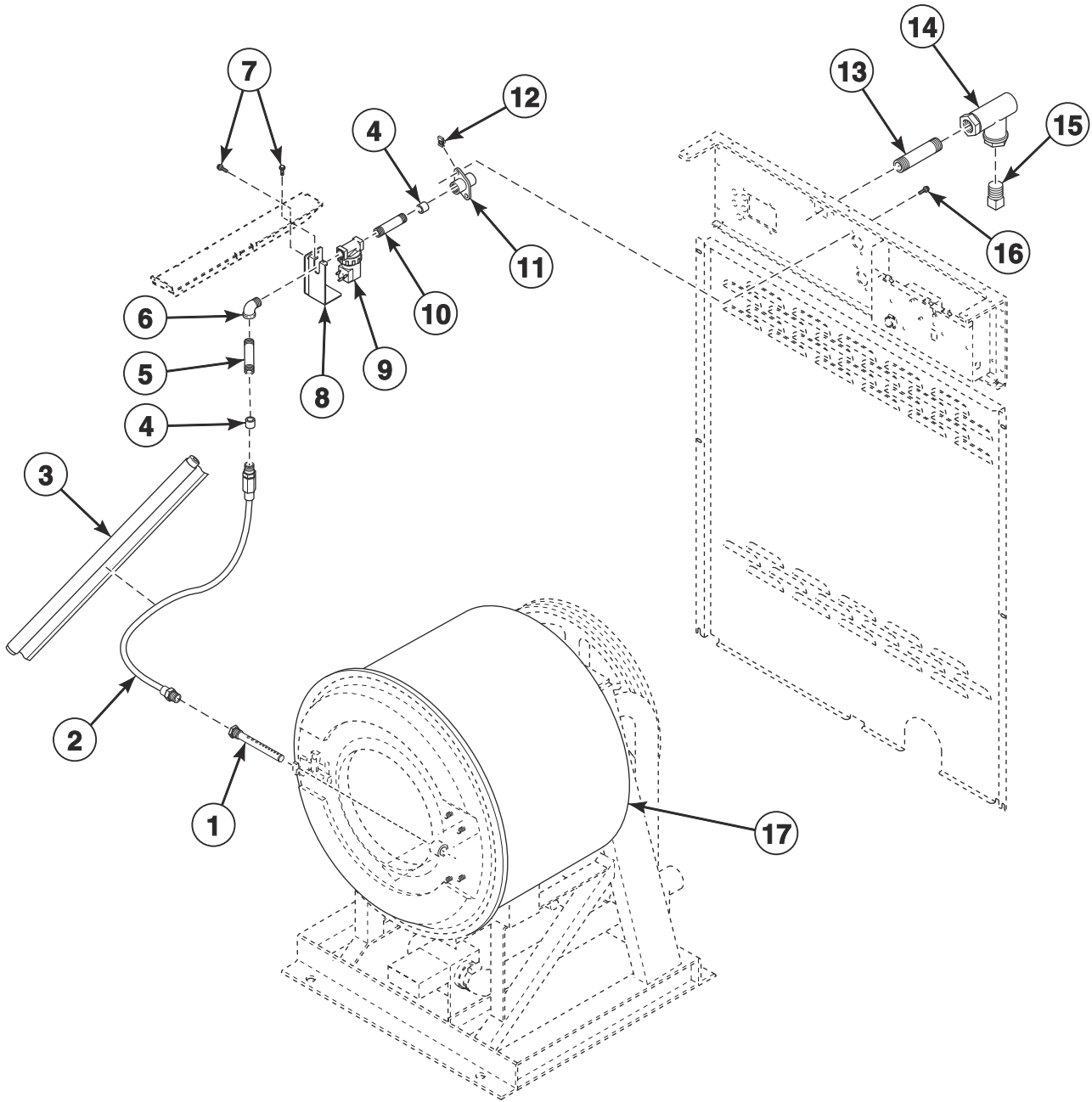


CHM3429P\_F8489201

## Electric Heat Option

REF	PART NO.	DESCRIPTION	COMMENTS
	F8056001	Jumper Wire	P-voltage models require 5; N-voltage models require 3
1	F8404401	Water Pressure Switch	
2	F8153901	Tubing	
3	F8246601	Tee	
4	70256901P	Circuit Breaker	
5	F330188P	Contactator	
6	F410300	Pipe Insulation	
7	F200202600	Plug	
8	F370609	Thermistor Sensor	
9	F8360602	Shell Weldment	20 pound models
	F8360702	Shell Weldment	30 pound models
	F8360802	Shell Weldment	40 pound models
	F8360902	Shell Weldment	60 pound models
10	F360205P	Element	2.6 kW; 3 used in 20 and 30 pound models; 6 used in 40 and 60 pound models
11	F360202	Heating Element Plug	

# Steam Heat Option



CHM3404P\_F8489201

## Steam Heat Option

REF	PART NO.	DESCRIPTION	COMMENTS
	F953P3	Steam Heat Kit	Includes items 1-4, 6, 8-11, 13-16, 70139601 Nipple, F421703 Elbow, F8116501 Cord Din Set Assembly, hardware and labels
	F380984P	Steam Valve Repair Kit	Use with item 9
	F8514601P	Coil	Use with F8322801 Valve
	F8382301	DIN Valve Adapter Kit	Use with F8322802 Valve
	F8379501P	Valve Kit	Use with F8322801 Valve
<b>1</b>	F8368201	Steam Injector Tube Assembly	
<b>2</b>	F200197	Steam Hose	60 pound models
<b>3</b>	F410300	Pipe Insulation	
<b>4</b>	F8116301	Coupling	60 pound models; 2 required
<b>5</b>	70139601	Pipe Nipple	60 pound models
<b>6</b>	H86070034	Street Elbow	
<b>7</b>	430497	Screw	
<b>8</b>	F8490301	Steam Bracket	
<b>9</b>	F8322801P	Valve	Includes F8514601 Coil; For models that have been upgraded with F8521601 Din Valve Kit
	F8521501	DIN Valve Kit	Includes F8322801 Valve, F8382301 DIN Valve Adapter Kit and F8514601 Coil
<b>10</b>	70263801	Pipe Nipple	
<b>11</b>	F8362701	Coupling	
<b>12</b>	70030401	Nut	
<b>13</b>	431486	Pipe Nipple	
<b>14</b>	F270307	Steam Filter	
<b>15</b>	F420409	Plug	
<b>16</b>	20253	Screw	
<b>17</b>	F8360602	Shell Weldment	20 pound models
	F8360702	Shell Weldment	30 pound models
	F8360802	Shell Weldment	40 pound models
	F8360902	Shell Weldment	60 pound models



# Parts Index

## A

Access Cover	
F8047801 .....	39
Auxiliary Control Assembly	
F8189401P .....	9

## B

Basket	
F8391304 .....	25
F8391704 .....	25
Basket and Bearing Assembly	
F980204341 .....	25, 27
F980204342 .....	25, 27
F980204343 .....	25, 27
F980204344 .....	25, 27
Basket Assembly	
F8391302 .....	25
F8391502 .....	25
F8391504 .....	25
F8391702 .....	25
F8502802 .....	25
F8502805 .....	25
Basket Puller Tool	
F460129P .....	25, 27
Basket Pulley	
F150269 .....	43, 45
F150270 .....	43, 45, 47
F200299700 .....	43, 45
Basket Pulley Puller Tool	
F8608502 .....	25, 27
Basket Rental Tool Kit	
390P4-1 .....	25, 27
Basket Tool Kit	
389P4 .....	25, 27
Bearing	
F100108 .....	27
F100123P .....	27
F100134 .....	27
F100135 .....	27
F100136P .....	27
F100137P .....	27
Bearing Housing	
F8246802 .....	27
F8250902 .....	27
F8744401P .....	27
F8744601R .....	27
Bearing Housing Assembly	
F8271601P .....	27
F8271602 .....	27
F8271701P .....	27
F8271702 .....	27
F8271801P .....	27
F8271802 .....	27
F8271901P .....	27
F8271902 .....	27
Bearing Sleeve	
F8221701 .....	17, 19, 21

Belt	
F200201700P .....	43, 45
F8382801 .....	47
F8382803 .....	43, 45
F8382804 .....	43, 45
F8382805 .....	43, 45

Blind Rivet	
F8245101 .....	17, 19, 21

Bolt	
F430522 .....	31
F430974 .....	17, 19, 21
F8230501 .....	15
F8270701 .....	23
F8402801 .....	31, 43, 45, 47
F8508101 .....	17, 19, 21

Bracket	
F8365401 .....	31
F8365402 .....	31
F8434601 .....	31
F8434701 .....	31
F8599801 .....	9

## C

Cap	
F8197701 .....	39

Circuit Breaker	
70256901P .....	11, 49

Clamp Ring Assembly	
F8388001 .....	25
F8388002 .....	25
F8388003 .....	25
F8388004 .....	25

Clamp Ring Bracket	
F8302402 .....	25

Coil	
F8514601P .....	51

Communication Harness	
F8385102 .....	11

Concrete Kit	
1111P .....	29

Control Tray Harness	
F8261501P .....	9

Contact Base	
F8538101 .....	11

Contact Switch	
F8069501 .....	11

Contacting	
F330177P .....	11
F330188P .....	49

Control Kit	
F101P3 .....	9

Control Panel Assembly	
F8038504 .....	13
F8038506 .....	13
F8038604 .....	13
F8038606 .....	13
F8038704 .....	13
F8038706 .....	13
F8038804 .....	13
F8038806 .....	13

N/A items do not appear in index.

Control Panel Overlay	
F8226301 .....	13
F8226401 .....	13
F8226501 .....	13
F8226601 .....	13
F8296001 .....	13
F8296101 .....	13
F8296201 .....	13
F8296301 .....	13
F8532301 .....	13
F8551501 .....	13
F8551801 .....	13
Control Tray Assembly	
F8359601 .....	9
F8359603 .....	9
Coupling	
F8116301 .....	51
F8362701 .....	51

## D

Diaphragm and Guide Kit	
G582P3 .....	39
DIN Rail	
F8385301 .....	11
DIN Valve Adapter Kit	
F8382301 .....	51
DIN Valve Kit	
F8521501 .....	51
Dispenser Assembly	
F8047401 .....	39
F8047402 .....	39
Dispenser Gasket	
F8308301 .....	39
Dispenser Lid	
F8048101 .....	15
Dispenser Overflow Hose	
F8043401 .....	39
F8043403 .....	39
F8043404 .....	39
Door	
F0602431-02 .....	17
F0602837-02 .....	19
F602842-2 .....	21
F8507501P .....	17
F8507702 .....	21
F8752601 .....	19
F8752701 .....	21
Door Assembly	
F8187201 .....	17
F8187308 .....	19
F8187408 .....	21
F8187411P .....	21
F8617202 .....	17
F8617207 .....	17
F8617208 .....	17
F8617301 .....	19
F8617302 .....	19
Door Bezel	
F8658701 .....	13
F8658901 .....	13
F8659101 .....	13
Door Gasket	
F200000202 .....	17
F8111502 .....	21

F8111602 .....	19
Door Glass	
F8485301P .....	19
F8485401P .....	21
Door Glass Kit	
F290205P .....	17
Door Glass Trim	
F8583201 .....	17
F8583202 .....	19
F8583203 .....	21
Door Handle	
F8199401P .....	17, 19, 21
F8435501 .....	17, 19, 21
F8624603 .....	17, 19, 21
Door Handle Spacer Kit	
F8567501 .....	17, 19, 21
Door Hinge	
F190216P .....	17, 19, 21
Door Hinge Shim Kit	
F200131000P .....	17, 19, 21
Door Latch Arm Assembly	
F8221403 .....	17, 19, 21
Door Lock Assembly	
F8632401 .....	23
Door Lock Catch	
F8344501 .....	23
Door Lock Cover	
F8245001 .....	23
Door Lock Microswitch	
F200203200 .....	23
Door Lock Plate Assembly	
F8223202 .....	23
Door Lock Plate Shim	
F8344401 .....	23
Door Lock Solenoid Replacement Kit	
F977P3 .....	23
Door Lock Splash Shield	
F320200 .....	23
Door Lock Switch Lever	
F8223401 .....	23
Door Mount	
F150271 .....	17, 19, 21
Double Check Valve	
F8301201 .....	41
Dowel Pin	
F8388101 .....	27
F8388201 .....	27
Drain Connector Tee	
F8017101 .....	31
Drain Hose	
F200165100 .....	31
F8232901 .....	31
F8261302 .....	31
F8261303 .....	31
F8464701 .....	31
Drain Seal Kit	
F8562001 .....	35
Drain Tee	
F8752101 .....	31
Drain Valve	
F8602602 .....	35
Drain Valve Cover	
F200133600 .....	33, 35

N/A items do not appear in index.



Drive Assembly	
F8204701P .....	11
F8303601P .....	11
F8327301P .....	11
Drive Mounting Bracket	
F8322401 .....	11
Drive Tray Assembly	
F8359801 .....	11
F8359802 .....	11
F8359803 .....	11

## E

Earth Terminal Sticker	
M412096 .....	7
Electric Shock Danger Label	
F8115501 .....	7
Element	
F360205P .....	49
Emergency Stop Harness	
F8060501 .....	9
Emergency Stop Plate	
F8201301 .....	11
Emergency Stop Pushbutton	
F200233500 .....	11
EMI Filter	
F8053901P .....	11
F8053902 .....	11
End Stop	
F8449801 .....	11
Excluder Seal	
F8336801 .....	25
F8336802 .....	25
F8336901 .....	25
F8336902 .....	25
F8337001 .....	25
F8337002 .....	25
F8337101 .....	25
F8527701 .....	25
Expansion Clip	
70030501 .....	9, 11, 13, 15
Extension Spring	
F310124 .....	43, 45
External Door Lock Harness	
F8340001 .....	23
External Supply Connection Decal	
F8150201 .....	7
External Supply Harness	
F8191201P .....	9
F8191203P .....	9
External Supply Kit	
F937P3 .....	9
Eye Bolt	
F8319503 .....	45
F8404501 .....	47

## F

Fill Hose Kit	
F8544601 .....	37
Filter	
F8454401 .....	39

Flanged Bushing	
F8333301 .....	43
F8333302 .....	45, 47
Flanged Isolator	
F8535202 .....	45
Frame Template	
F8433301 .....	29
F8433401 .....	29
F8433501 .....	29
F8433601 .....	29
Frame Weldment	
F8247002 .....	29
F8248002 .....	29
F8249001 .....	29
F8250002 .....	29
Front Cabinet Brace	
F8173801 .....	13
F8173901 .....	13
F8174001 .....	13
Front End Control	
F8549007 .....	9
F8549010 .....	9
Front End Control Kit	
F106P3 .....	9
Front Panel	
F8171301 .....	13
F8173002P .....	13
F8173008 .....	13
F8173011 .....	13
F8173102P .....	13
F8173104 .....	13
F8173108 .....	13
F8173202P .....	13
F8173208 .....	13
F8173210 .....	13
F8492302 .....	13
F8492306 .....	13
F8492308 .....	13
Fuse	
802492 .....	9
802493 .....	9

## G

Gravity Drain Valve	
803292P .....	33
803293P .....	33
Grommet	
F8433001 .....	9
Ground Decal	
F230739 .....	7
Ground Lug Connector	
M411283 .....	39
Gusset Plate	
F8186701 .....	13
F8186702 .....	13

## H

Harness	
F8454601 .....	39
Heating Element Plug	
F360202 .....	49

N/A items do not appear in index.

Hole Plug	
F8223801 .....	15
Hose	
F606816-1 .....	39
F8232001 .....	39
F8232002 .....	39
F8232004 .....	39
F8405301 .....	9
Hose Barb Connector	
F8431001 .....	9
Hose Clamp	
F200201 .....	31
F200213 .....	31, 39
F200215 .....	31
F200222 .....	39
20211 .....	39
36801 .....	39
Hot Surface Warning Plate	
F8614301 .....	7

## I

Induction Motor	
801194P .....	47

## J

Jumper Configuration Assembly	
M413507 .....	9
Jumper Harness Assembly	
M413506 .....	9
Jumper Wire	
F8056001 .....	49

## K

Key	
F430801 .....	43, 45, 47
H8752006H .....	43, 45
70155603 .....	15

## L

Left Side Panel	
F8399202 .....	15
F8399204 .....	15
F8399302 .....	15
F8399304 .....	15
F8399402 .....	15
F8399404 .....	15
F8399502P .....	15
F8399504 .....	15
F8492402 .....	15
F8492404 .....	15
Lid Clamp	
F8091701 .....	15
Logo	
F8443101 .....	13
Lower Cabinet Brace	
F8174101 .....	13

Lower Drive Mounting Bracket	
F8310101 .....	11

## M

Machine Size Configuration Harness	
F8028101P .....	9
F8028103P .....	9
F8028104P .....	9
F8028105P .....	9
Magnet	
F8390801 .....	17, 19, 21
Manifold	
F8333201 .....	39
Motor	
F8335001P .....	43, 45
F8335101P .....	43, 45
Motor Bracket Weldment	
F8441601 .....	43
F8441603 .....	45
F8589002 .....	45
Motor Conduit Mounting Bracket	
70321701 .....	43, 45
Motor Drip Shield	
F200216900 .....	47
Motor Harness	
F8384801 .....	47
F8384901 .....	43, 45
F8396601 .....	43, 45
Motor Isolation Kit	
F8562501 .....	45
F8562502 .....	43, 45
F8562504 .....	47
Motor Mount Rod	
801062 .....	47
Motor Pulley	
F8362501 .....	43, 45
Motor Rod Extension	
F8387101 .....	47
Motor Rod Plate	
F8441101 .....	43, 45, 47
Mount on Concrete Warning Label	
F8246401 .....	7

## N

Nameplate	
F8443102 .....	13
Nut	
F0431807-00 .....	39
F430215 .....	17, 19, 21
F430218 .....	25
F430225 .....	23
F430232 .....	9, 11, 17, 19, 21, 23, 39
F430264 .....	23
F431017 .....	11
F431041 .....	17, 19, 21
F8387601 .....	27, 43
F8387701 .....	27
M400977 .....	13
44087201 .....	31, 43, 45, 47
44087301 .....	29, 45
70030401 .....	31, 51

N/A items do not appear in index.

---

**O**

O-Ring	
F8441901 .....	43
Output Control Assembly Kit	
F980P3 .....	9
Output/Logic Harness	
F8028701 .....	9
Overflow Hose	
F8367201 .....	31
F8367901 .....	31
F8368001 .....	31

---

**P**

Panel Lock	
44089303P .....	15
Pin	
F8302701 .....	25
Pipe Insulation	
F410300 .....	49, 51
Pipe Nipple	
431486 .....	51
70139601 .....	51
70263801 .....	51
Plug	
F200202600 .....	49
F420409 .....	51
F8223901 .....	15
M400985 .....	15
Pop Rivet	
F431223 .....	17, 19, 21
70058501 .....	9
70412601 .....	13
Pressure Bulb Assembly	
205241 .....	9
P-Trap Hose	
F8042201 .....	39
F8042204 .....	39
F8042301 .....	39
Pushbutton Switch	
70413301 .....	15

---

**R**

Radial Seal	
F8203808 .....	27
Rear Drain Hose	
F8231904 .....	31
F8231905 .....	31
F8365601 .....	31
F8365602 .....	31
Rear Panel	
F8352801 .....	15
F8362401 .....	15
F8365201 .....	15
F8367101 .....	15
F8492501 .....	15
Reed Switch Assembly	
F8066802 .....	17, 19, 21

Retaining Ring	
F8337801 .....	27
F8337901 .....	27
F8344901 .....	27
F8345001 .....	27

Right Side Panel	
F8399201 .....	15
F8399203 .....	15
F8399301 .....	15
F8399303 .....	15
F8399401 .....	15
F8399403 .....	15
F8399501 .....	15
F8399503P .....	15
F8492401 .....	15
F8492403 .....	15

Rod	
F602813-2 .....	17, 19
F602813-3 .....	21

---

**S**

Screw	
D503688 .....	11
F430174 .....	13
F430532 .....	17
F430533 .....	19, 21
F430536 .....	17, 19, 21
F430903 .....	9
F430909 .....	39
F430956 .....	23
F430977 .....	23
F8117601 .....	13
F8206901 .....	9, 11, 15, 39
F8230301 .....	39
F8230601 .....	15
F8368701 .....	27
F8368801 .....	27
F8406601 .....	47
F8442702 .....	29
F8535501 .....	17, 19, 21
F8535601 .....	39
F8574001 .....	43, 45, 47
F8621601 .....	29
M400077 .....	43, 45
202175 .....	31
20253 .....	51
23222 .....	43, 45
430497 .....	51
431287 .....	15
800461 .....	43
800462 .....	25
800548 .....	39

Seal Scupper Pad	
F8350301 .....	27
F8350302 .....	27
F8350303 .....	27

Shaft Seal Sleeve	
F8343914 .....	25

Shaft Seal Sleeve Kit	
F8343901P .....	25
F8343904P .....	25
F8343906P .....	25
F8343909P .....	25

Shell Band Kit	
F8537801 .....	25

N/A items do not appear in index.

F8537802	25
F8537803	25
F8537804	25
Shell Front Assembly	
F8229401	25
F8229501	25
F8229601	25
F8229701	25
Shell Front Gasket Kit	
F8513501	25
Shell Weldment	
F8360602	29, 49, 51
F8360603	29
F8360702	29, 49, 51
F8360703	29
F8360802	29, 49, 51
F8360803	29
F8360902	29, 49, 51
F8360903	29
Shim	
F8484401	23
Siphon Cover	
F8047901	39
Snap Bushing	
44071501	9
Spacer	
F431901	23
F8451601	43, 47
Spring	
F8504601	33
Spring Mount Rod	
F8361301	47
Spring Pin	
F431222	17, 19, 21
Spring Plate	
F8363901	43
F8525801	45
Spring Stud Kit	
F8748601	43, 45
Steam Bracket	
F8490301	51
Steam Filter	
F270307	37, 51
F270308	37
Steam Heat Kit	
F953P3	51
Steam Hose	
F200197	51
Steam Injector Tube Assembly	
F8368201	51
Steam Valve Repair Kit	
F380984P	51
Street Elbow	
H86070034	51
Stud	
70334702	31
Supply Overflow Hose	
F8043405	39

## T

Tee	
F8246601	9, 49

Terminal Block	
430642	39
Terminal Tray Cover	
F8177001	39
Terminal Tray Cover Gasket	
F8230001	39
Thermistor Sensor	
F370609	49
Top Cabinet Brace	
F8043501	15
F8043701	15
F8043801	15
F8043901	15
Top Cover	
F8017401	15
F8040201	15
F8040301	15
F8040401P	15
Top Cover Hinge	
F8258601	15
Top Cover Latch	
F8201001	13
Torsion/Door Lock Spring	
F8070301	23
Transformer	
F8401301	11
201616P	9
803527P	9
Tray Support Bracket	
F8375201	9
Triple Lip Seal	
F8203801	27
F8203802	27
F8203803	27
F8203806	27
F8203813	27
F8203814	27
F8203815	27
Tubing	
F8153901	9, 49

## U

USB IR Interface Kit	
203346	9
Use Copper Conductors Only Caution Label	
F8242201	7

## V

Vacuum Breaker Assembly	
F8048601	39
Vacuum Breaker Hose	
F0200244-01	39
F0200244-02	39
Vacuum Supply Hose	
F8042801	39
F8042803	39
F8042804	39
F8042805	39
Valve	
F8322801P	51

N/A items do not appear in index.

Valve Kit	
F8379501P .....	51
Valve Panel	
F8398701 .....	39
F8398801 .....	39
F8398901 .....	39
F8399001 .....	39
Valve, 3-Way	
F8286401P .....	39
F8286402P .....	39

---

## W

Warning Label	
F8207901 .....	7
F8233501 .....	7
44324001 .....	7
Washer	
F430339 .....	27
F431113 .....	17, 19, 21
F431115 .....	43, 45, 47
F431902 .....	23
F431916 .....	17, 19, 21
F431929 .....	17, 19, 21
F8201101 .....	13
F8366601 .....	27
F8402701 .....	29
M400081 .....	25, 29
M405535 .....	31
803615 .....	37, 39
Water Hose Kit	
F8665601 .....	37
F8665602 .....	37
F8665603 .....	37
F8665604 .....	37
Water Pressure Switch	
F8404401 .....	9, 49

---

