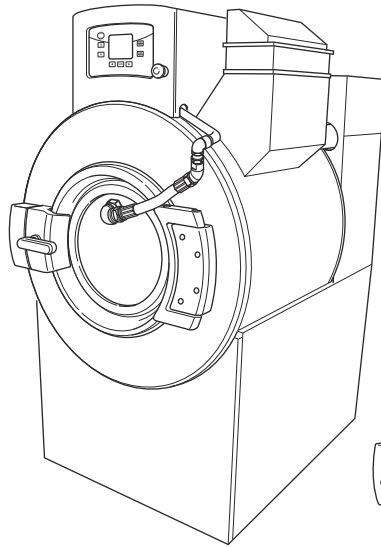


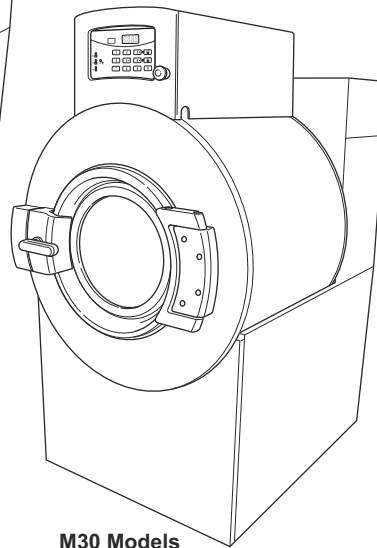
Washer-Extractor

Pocket Hardmount

Refer to Page 3 for Model Numbers



UniLinc Models



M30 Models

PHM1429C_F8570401

Table of Contents

Title	Page
Parts Ordering Information.....	2
Serial Plate Location	2
Model Identification	3
Pocket Hardmount Washer-Extractor Product Overview	4
Control Module (Drawing 1 of 2)	6
Control Module (Drawing 2 of 2)	8
Inverter Drive Box (Drawing 1 of 2).....	10
Inverter Drive Box (Drawing 2 of 2).....	12
Rotation Sensor, Vibration Switch and Temperature Probe	14
Panels	16
Drive Box and Water Supply Box.....	18
Spray Tube Assembly.....	20
Door	22
Door Lock.....	24
Basket	26
Shell and Frame.....	28
Supply Dispenser	30
Chemical Injection.....	32
Water Supply Valve and Hoses to Supply Dispenser	34
Fill Plumbing Assembly	36
Spray Plumbing Assembly	38
Drain Plumbing - Single Drain.....	40
Drain Plumbing - Dual Drain	42
Motor and Pulley	44
Bearing Housing	46
Electric Heat Option	48
Steam Heat Option	50
Special Tools	52
Parts Index.....	55

© Copyright 2024, Alliance Laundry Systems LLC

All rights reserved. No part of the contents of this book may be reproduced or transmitted in any form or by any means without the expressed written consent of the publisher.

Parts Ordering Information

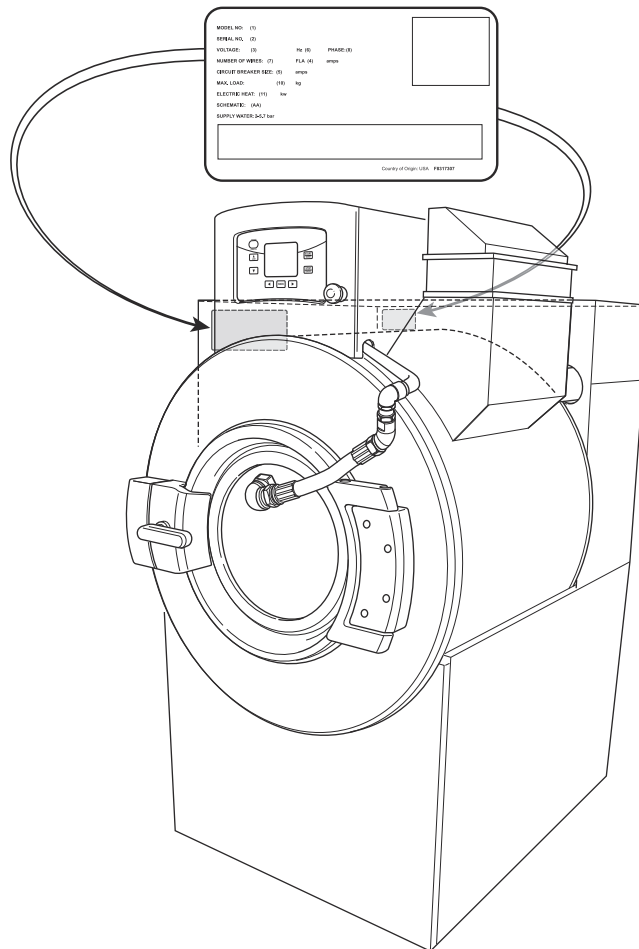
If literature or replacement parts are required, contact the source from whom the machine was purchased or contact Alliance Laundry Systems at (920) 748-3950 for the name and address of the nearest authorized parts distributor.

For technical assistance, call the number listed below:

(920) 748-3121 Ripon, Wisconsin

Serial Plate Location

When calling or writing about your product, be sure to mention model and serial numbers. Model and serial numbers are located on serial plate(s) as shown.



PHM3280P_F8570401

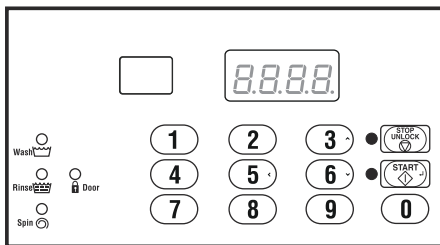
Model Identification

Information in this manual is applicable to these washer-extractor models:

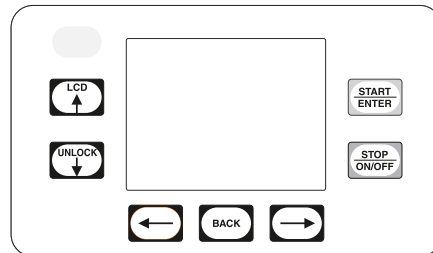
NWL130T3V	UWN130K1M
NWL130T4V	UWN130K2M
NWL160T3V	UWN130T3V
NWL160T4V	UWN130T4V
UWH130K1M	UWN160T3V
UWH130K2M	UWN160T4V
UWH130T3V	UWU130K1M
UWH130T4V	UWU130K2M
UWH160T3V	UWU130T3V
UWH160T4V	UWU130T4V
UWL130K1M	UWU160T3V
UWL130K2M	UWU160T4V
UWL130T3V	
UWL130T4V	
UWL160T3V	
UWL160T4V	

Pocket Hardmount Washer-Extractor Product Overview

Model No. **UWN060T3VXU1001**
 Serial No. **000000000000**
 Voltage **200 – 240** Hz **50-60** Phase **3**
 Number of wires : **3** FLA : **19** amps
 Circuit Breaker Size : **30** amps
 Max. Load : **60** LB **27** KG
 Schematic :
 Supply Water: **30 - 85** psi, **2 - 5.7** BAR



M30 Control



UniLinc Control

PHM3063P_F8570401

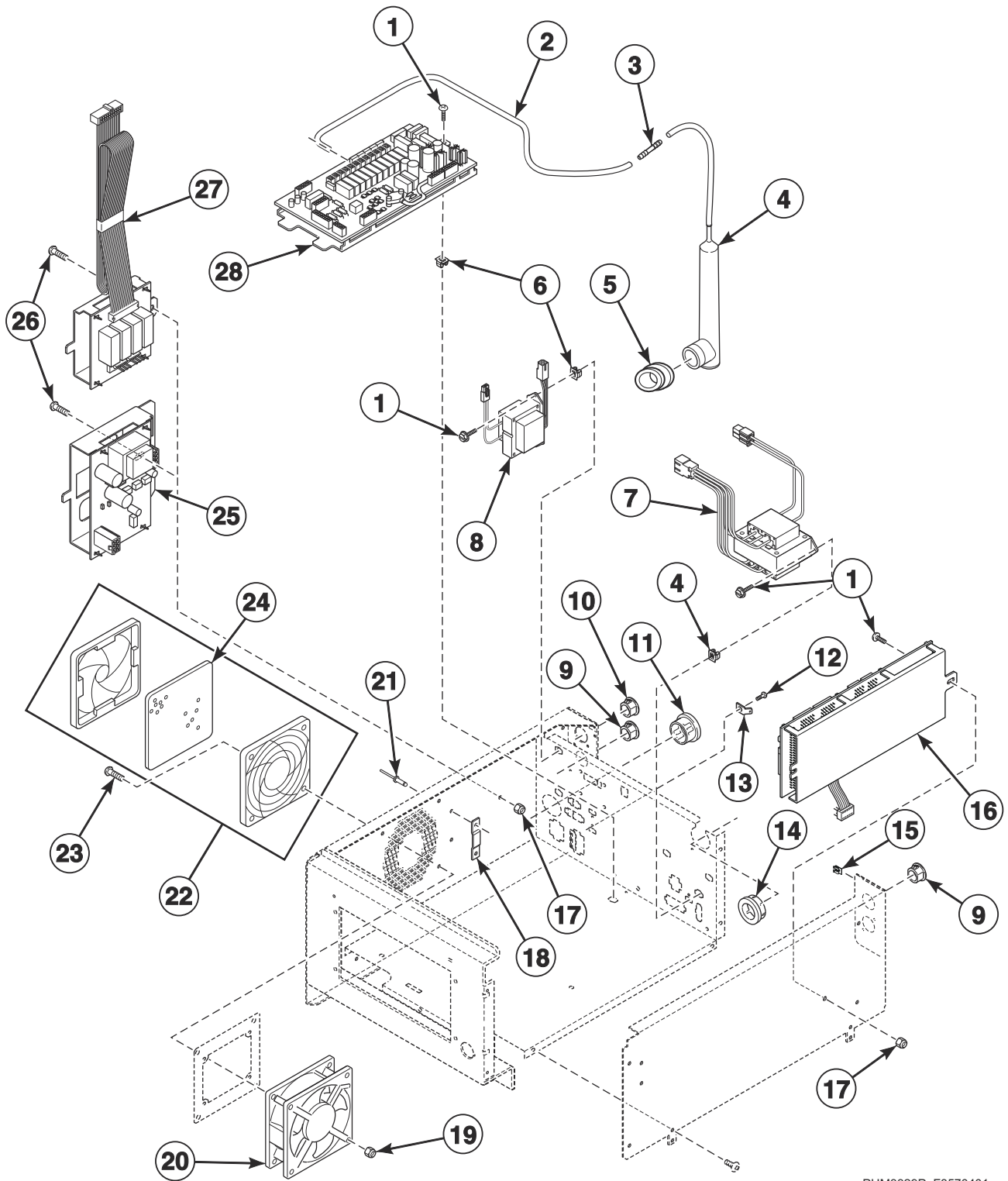
Pocket Hardmount Washer-Extractor Product Overview

REF	PART NO.	DESCRIPTION	COMMENTS
1	-	Product Family	NW UW
2	-	Market Approvals	N (Domestic ETL) L (International ETL) U (International CE/EAC) H (China-ROHS ETL)
3	-	Capacity (Dry Weight in Pounds)	045 065 085 105 130 160
4	-	Control	K (M30 Control) T (UniLinc Control)
5	-	Spray/Dispenser Feature	1 (No spray but with dispenser) 2 (No spray or dispenser) 3 (With spray and dispenser) 4 (With spray but no dispenser)
6	-	Speed	L (Low-Speed - 100G) M (Medium-Speed - 200G) V (Variable-Speed - 400G)
7	-	Voltage	O (208/220-240/60/3/3) X (200-208/220/240/50/60/1/3) Q (200-208/220-240/50/60/3) P (380-415/50/60/3) N (440-480/50/60/3)
8	-	OEM	U
9	-	Design Series	4
10	-	Heat Feature	0 (Standard) D (Direct steam) E (Electric heat) P (Prep for steam heat)
11	-	Features and Options	

Control Module (Drawing 1 of 2)

REF	PART NO.	DESCRIPTION	COMMENTS
	F8028701	Output/Logic Harness	
1	F8412502P	Module Box Panel Kit	Top; Includes item 3
2	F8211201	Electrical Shock Label	UWU models
	F8615701	Pinch Warning Label	UWU models
	44324001	Warning Label	Disconnect power; All other models
3	F8428701	Warning Label	Reduce fire risk
4	F8069501	Contact Switch	
5	F8538101	Contact Base	
	F8060501	Emergency Stop Harness	
6	210098	PC Board Standoff	Network models
7	210095P	Communication Board	Network models
	NK205	Network Retrofit Kit	Includes item 6, 203028 Network Board Assembly, 210099 Communication Connector, 430497 Screw, 44088501 Network Wire Harness Assembly and 800246 Communication Wire Harness Assembly
	NK220	Network Controller Kit	Network models
	NK301	Wireless Network Kit	
	NK320	Ethernet Gateway Kit	Used with NK301 Wireless Network Kit
	NK330	USB Gateway Kit	Used with NK301 Wireless Network Kit
8	F200233500	Emergency Stop Pushbutton	
9	F8237101	Control Module Decal	UW models with a T in the 7th position
	F8383101	Control Module Decal	UW models with a K in the 7th position
	F8551301	Overlay	NW models with a T in the 7th position
10	F8575501	Module Box Panel Kit	Front; Includes items 11-13; UW models
	F8575601	Module Box Panel Kit	Front; Includes items 11-13; NW models
11	F8410303	Module Box Panel	Front; UW models
	F8664203	Module Box Front Panel Assembly	Front; NW models
12	F8443101	Logo	UW models
13	M400977	Nut	
14	F8413701	Screw	
15	F8408601	Control Panel Assembly	Front
16	F8499401P	Control Assembly	Models with a K in the 7th position
	F8499101P	Control Assembly	Models with a T in the 7th position
17	F8368301	Steam-Electric Switch Label	Dual heat
18	F8367701	Rocker Switch	Dual heat
19	F8161701	External Supply Label	Models with a K in the 7th position
20	F8059801	External Supply Connection Decal	Models with a T in the 7th position
21	F200061000	Clean Filter Daily Decal	
22	F8408901	Module Box Panel	Rear
23	F8150201	External Supply Connection Decal	
24	F8211201	Electrical Shock Label	UWU models
	F8233501	Warning Label	Shock; All other models
25	F8206901	Screw	
26	F8422801	Grease Instruction Label	Lubrication

Control Module (Drawing 2 of 2)

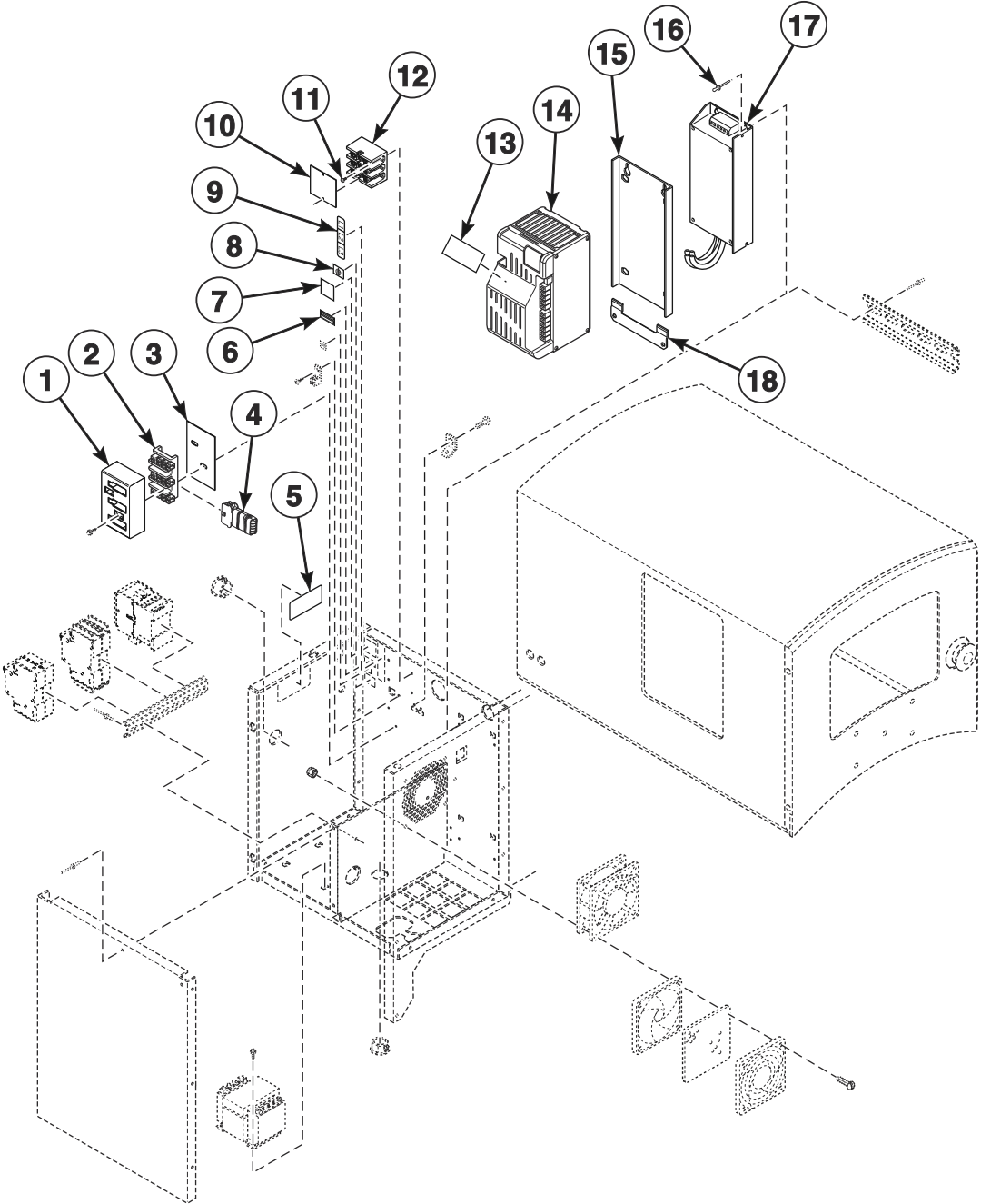


PHM3329P_F8570401

Control Module (Drawing 2 of 2)

REF	PART NO.	DESCRIPTION	COMMENTS
	F8028119	Size Configuration Wiring Harness	130 pound models
	F8028120	Size Configuration Wiring Harness	160 pound models
	44088501P	Network Wire Harness Assembly	
	F8508301	Power Harness	Dual heat
	F8433101	Module Box Power Harness	Standard, steam and electric heat
	F8030101P	Drive Control Harness	
	M413506	Jumper Harness Assembly	208 Volt
	M413507	Jumper Configuration Assembly	240 Volt
	F8028109	CFG Harness	
	F8158801P	Interlock Switch Harness	Models with a K in the 7th position
	F8030501P	Interlock Switch Harness	Models with a T in the 7th position
	F8410412	Module Box Assembly	Models with a K in the 7th position; Includes items 2, 3, 6, 9-11, 14, 16, 17, 19, 20, 22-24, 26-28, F8408601 Control Panel Assembly Front and F8499401P Control Assembly
	F8410411	Module Box Assembly	Models with a T in the 7th position; Includes items 1-3, 6, 8-11, 14, 16, 17, 19, 20, 22-24, 28, F8408601 Control Panel Assembly Front and F8499401P Control Assembly
	F8412810	Trim	
	F8385103	Communication Cable	
1	F8117601	Screw	
2	F8339601	Tubing	
3	F422500	Connector	
4	205241	Pressure Bulb Assembly	
5	F8433001	Grommet	
6	70030501	Expansion Clip	
7	803527P	Transformer	Machine control voltage
8	201616P	Transformer	External supply
9	M400985	Plug	
10	F8223901	Plug	
11	M402542	Snap Bushing	
12	51780	Screw	
13	00117	Female Pin Terminal	
14	70346501	Bushing	
15	M400984	Clip	
16	F8108501P	Auxiliary Output Assembly	
17	F430232	Nut	
18	F8079401	Network Board Bracket	
19	F430231	Nut	
20	F110110	Muffin Fan	
21	F431210	Pop Rivet	
22	F220900	Filter Retainer Guard	Includes item 24
23	F8151201	Screw	
24	F200318900P	Filter	Includes 5 filters
25	201341	Network Board Assembly	Network models
26	F430903	Screw	
27	F8189401P	Auxiliary Control Assembly	Models with a K in the 7th position
28	F980P3	Output Control Assembly Kit	
	802492	Fuse	5 Amp
	802493	Fuse	2.5 Amp

Inverter Drive Box (Drawing 1 of 2)

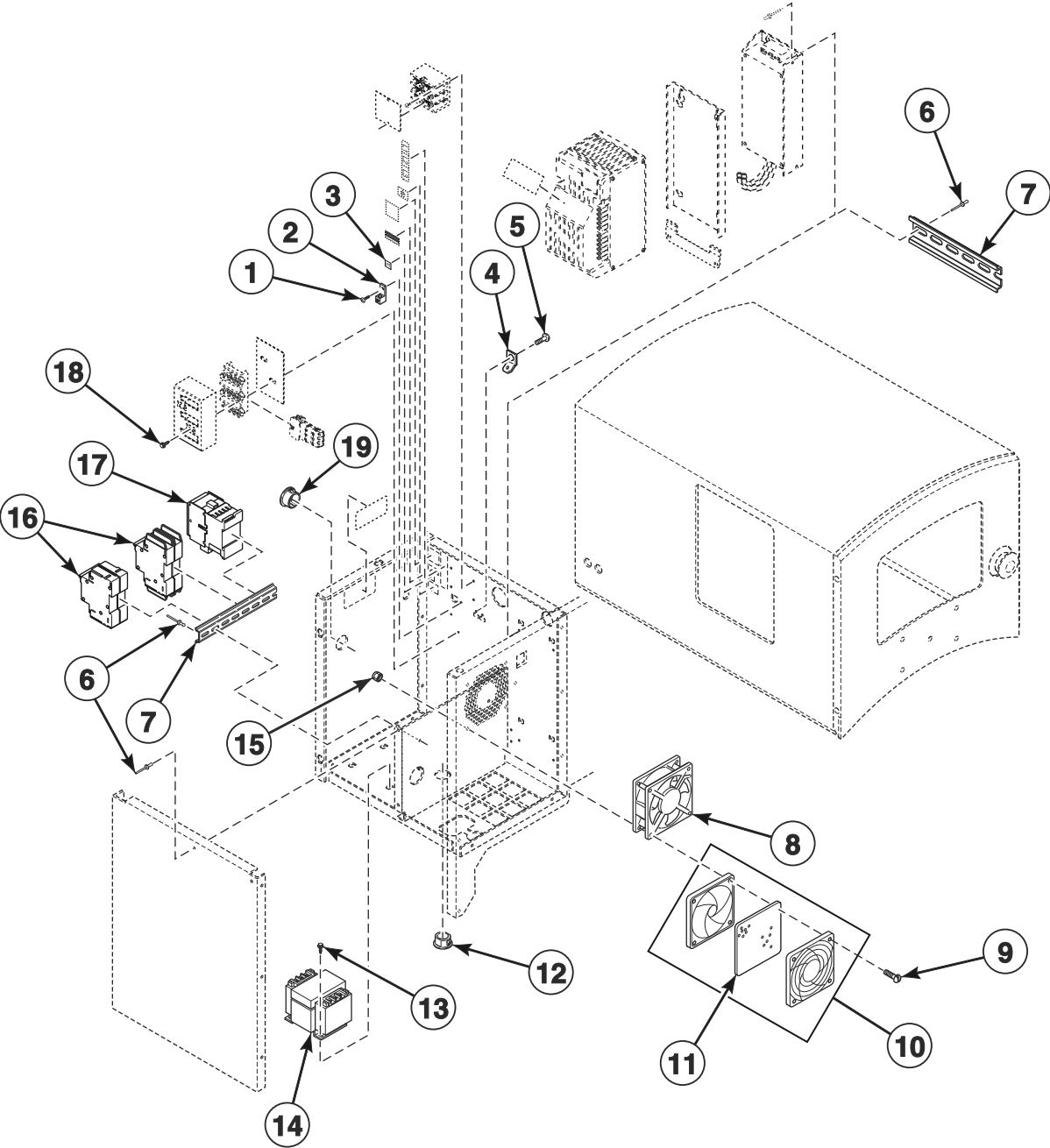


PHM965P_F8570401

Inverter Drive Box (Drawing 1 of 2)

REF	PART NO.	DESCRIPTION	COMMENTS
	F8054601	Electric Heat Harness	Left
	F8054602	Electric Heat Harness	Middle
	F8054603	Electric Heat Harness	Right
	F8389801	Control Power Harness	130 pound models
	F8028701	Output/Logic Harness	160 pound models
	F8508301	Power Harness	
	F8054902	Electric Heat Coils Harness	130 pound models; KM8AB
	F8054901	Electric Heat Coils Harness	KM8A
	F8054903	Electric Heat Coils Harness	KM8ABL
	F8385103	Communication Cable	
1	70333001	Terminal Block Shield	
2	430642	Terminal Block	
3	M413862	Insulator	
4	F8454401	Filter	
	F8454601	Harness	
5	F8211201	Electrical Shock Label	UWU models
	F8615701	Pinch Warning Label	UWU models
	44324001	Warning Label	Shock/pinch; All other models
6	F8242201	Use Copper Conductors Only Caution Label	
7	F230630	Ground Decal	
8	F230739	Ground Decal	
9	70218701	Wire Label	
10	44014901P	Power Distribution Block Cover	Electric heat
11	39733	Screw	Electric heat
12	M413865	Power Distribution Block	Electric heat
13	F8115501	Electric Shock Danger Label	
14	F8169694	Inverter Drive	130 pound models; Q-voltage
	F8169695	Inverter Drive	130 pound models; N and P-voltage
	F8169696	Inverter Drive	160 pound models; Q-voltage
	F8169697	Inverter Drive	160 pound models; N and P-voltage
	F8027804	Drive Power Harness	
	F8030201P	Drive Control Harness	
15	F8386902	Drive Mounting Bracket	
16	70058501	Pop Rivet	
17	F8054002	EMI Filter	UWU models; N and P-voltage; 460 Volt
	F8129001	EMI Filter Power Harness	
18	F8322402	Drive Bracket	

Inverter Drive Box (Drawing 2 of 2)

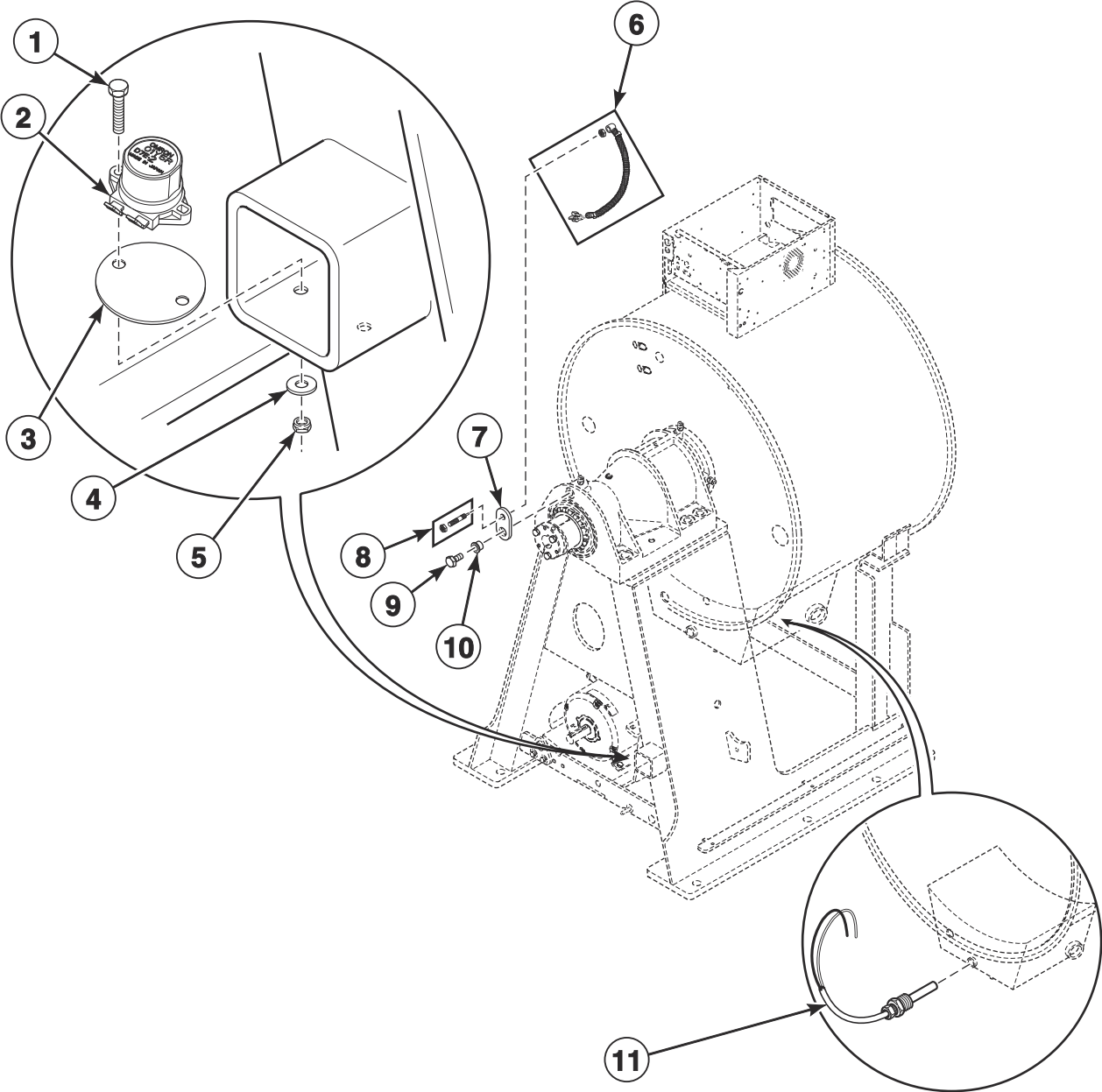


PHM965PA_F8570401

Inverter Drive Box (Drawing 2 of 2)

REF	PART NO.	DESCRIPTION	COMMENTS
1	51780	Screw	
2	00177	Male Tab Terminal	
3	M412096	Earth Terminal Sticker	
4	M411283	Ground Lug Connector	
5	F430903	Screw	
6	70058501	Pop Rivet	
7	F8134101	DIN Rail	
8	F430231	Nut	
9	F110110	Muffin Fan	
	F8113901	Drive Fan Harness	
10	F200318900P	Filter	Includes 5 filters
11	F220900	Filter Retainer Guard	Includes item 10
12	F8151201	Screw	
13	F8223901	Plug	
14	F8206901	Screw	
15	201616P	Transformer	
16	F8303001P	Circuit Breaker	Electric heat
	70256901P	Circuit Breaker	Electric heat
	F8028224	Temperature Wiring Harness	
	F8028119	Size Configuration Wiring Harness	130 pound models
	F8028120	Size Configuration Wiring Harness	160 pound models
	F8389901	Step Down Power Harness	Used with 70256901P Circuit Breaker
17	F330188P	Contactora	NX208; Q, N and P-voltage; Electric heat
18	51783	Screw	
19	M402542	Snap Bushing	

Rotation Sensor, Vibration Switch and Temperature Probe

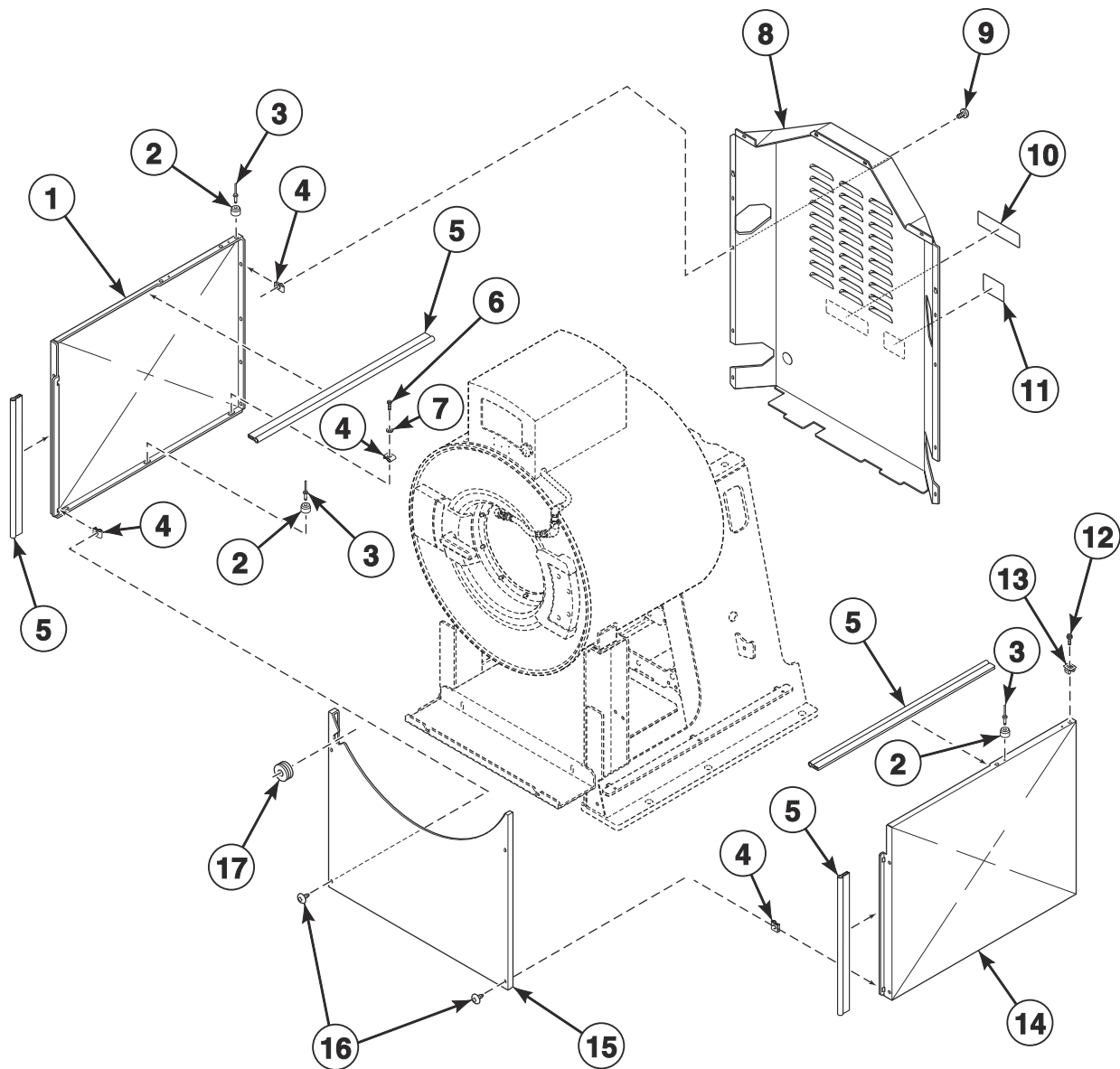


PHM3325P_F8570401

Rotation Sensor, Vibration Switch and Temperature Probe

REF	PART NO.	DESCRIPTION	COMMENTS
1	M401938	Screw	
2	F8204001	Vibration Switch	
3	F8337301	Vibration Switch Shield	
4	F431125	Washer	
5	F430225	Nut	
6	F8066401	Rotation Sensor Harness	
7	F8474901	Rotation Sensor Plate	
8	F8066201	Rotation Sensor	
9	F8463301	Screw	
10	44239501	Bushing	
11	F370609	Thermistor Sensor	
	F8028221P	Temperature Harness	Electric heat
	F8028223	Temperature Harness	Standard; Models with a T in the 7th position
	F8028224	Temperature Wiring Harness	Standard; Models with a K in the 7th position

Panels

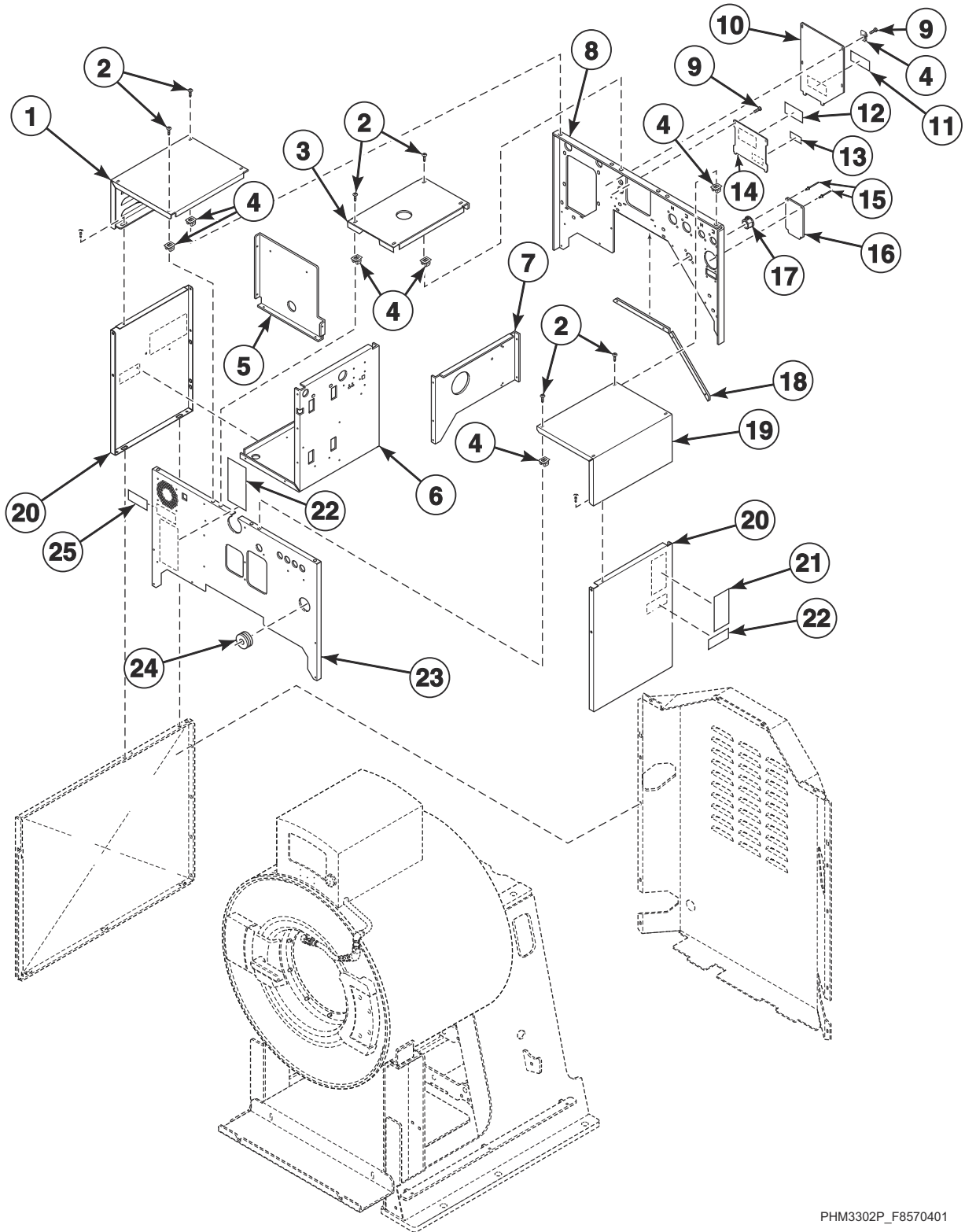


PHM3282P_F8570401

Panels

REF	PART NO.	DESCRIPTION	COMMENTS
1	F8481102	Left Side Panel	130 pound models
	F8481104	Left Side Panel	160 pound models
2	56079	Panel Locator	
3	M412763	Rivet	
4	70030401	Nut	
5	F8412812	Trim	130 pound models
	F8412806	Trim	160 pound models
6	20253	Screw	
7	M405535	Washer	
8	F8481801	Belt Guard Assembly	Models with a K in the 7th position
	F8481802	Belt Guard Assembly	Models with a T in the 7th position
9	F8117601	Screw	
10	F8211201	Electrical Shock Label	UWU models
	F8615701	Pinch Warning Label	UWU models
	44324001	Warning Label	Shock/pinch; All other models
11	F8246401	Mount on Concrete Warning Label	
12	20253	Screw	
13	70030501	Expansion Clip	
14	F8481101	Right Side Panel	130 pound models
	F8481103	Right Side Panel	160 pound models
15	F8481401	Front Panel	
16	70182601	Screw	
17	F170604	Grommet	

Drive Box and Water Supply Box



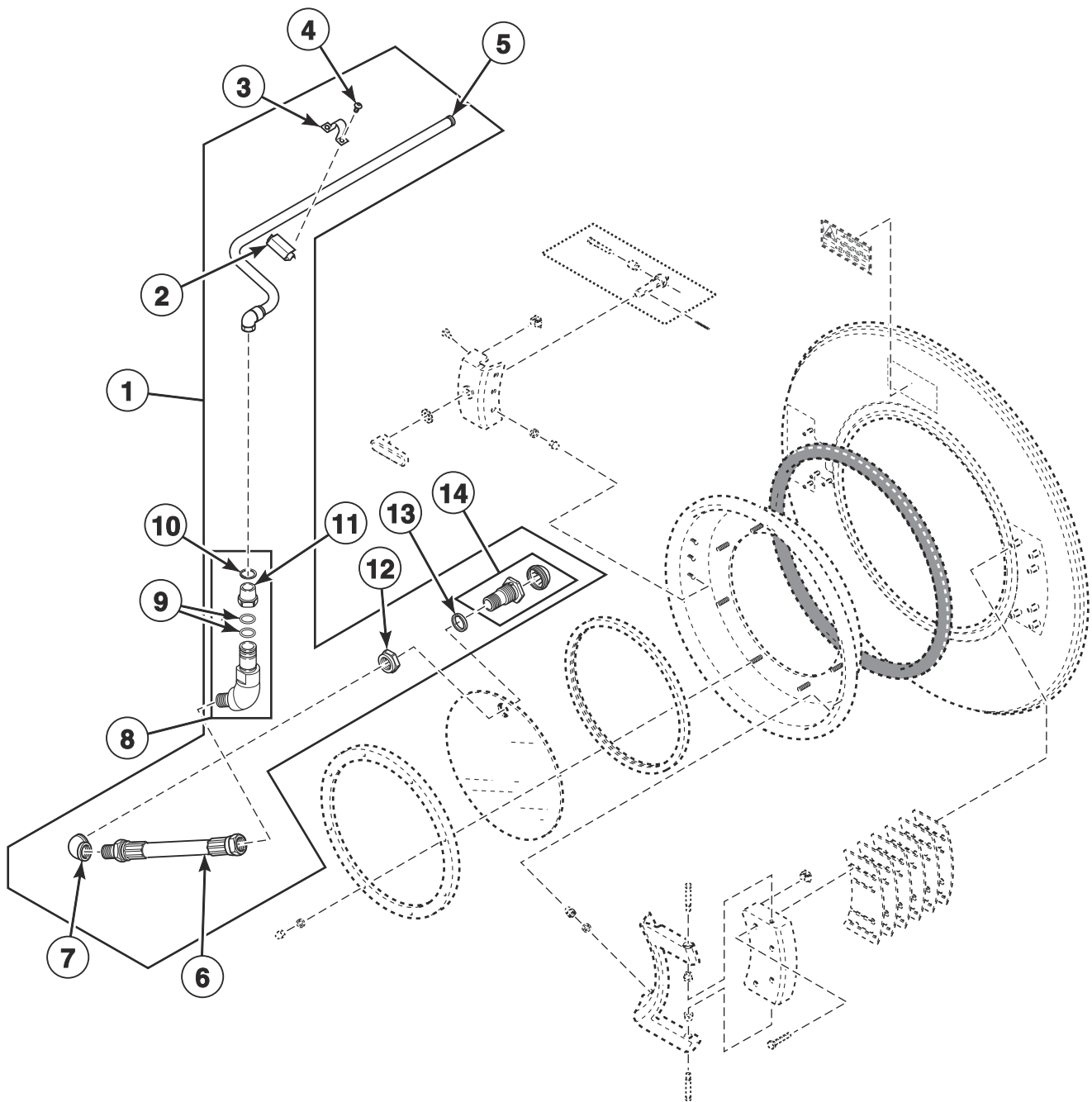
PHM3302P_F8570401

Drive Box and Water Supply Box

REF	PART NO.	DESCRIPTION	COMMENTS
1	F8480504	Top Left Cover	
2	F8206901	Screw	
3	F8482901	Top Center Cover	
4	70030501	Expansion Clip	
5	F8375902	Drive Box Partition Panel	
6	F8483201	Drive Mounting Panel	
7	F8483301	Bulkhead Brace	
8	F8482001	Rear Bulkhead Panel	
9	F8117601	Screw	
10	F8323801	Electrical Access Cover	
11	F8448801	Conversion Label	200-208 VAC
	F8099801	Conversion Label	380-415 VAC
12	F8211201	Electrical Shock Label	UWU models
	F8233501	Warning Label	Shock; All other models
13	F8150201	External Supply Connection Decal	
14	F8477901	Chemical Connection Cover	
15	70058501	Pop Rivet	
16	F8338601	Dispenser Cover	
17	70180001	Plug	Without steam heat
18	F8484101	Rear Bulkhead Edging	
19	F8480503	Top Right Cover	
20	F8482303	Bulkhead Panel	Right/left
21	F8428501	Warning Label	
22	F8615701	Pinch Warning Label	UWU models
	44324001	Warning Label	Shock/pinch; All other models
23	F8482201	Front Bulkhead Panel	Models with a 2 or 4 in the 8th position
	F8482202	Front Bulkhead Panel	Models with a 1 or 3 in the 8th position
	F8482203	Front Bulkhead Panel	Models with a 2 or 4 in the 8th position; With a DH switch
	F8482204	Front Bulkhead Panel	Models with a 1 or 3 in the 8th position; With a DH switch
24	F8528401	Grommet	
25	F200061000	Clean Filter Daily Decal	

Spray Tube Assembly

Models with 3 or 4 in the 8th position of the Model Number

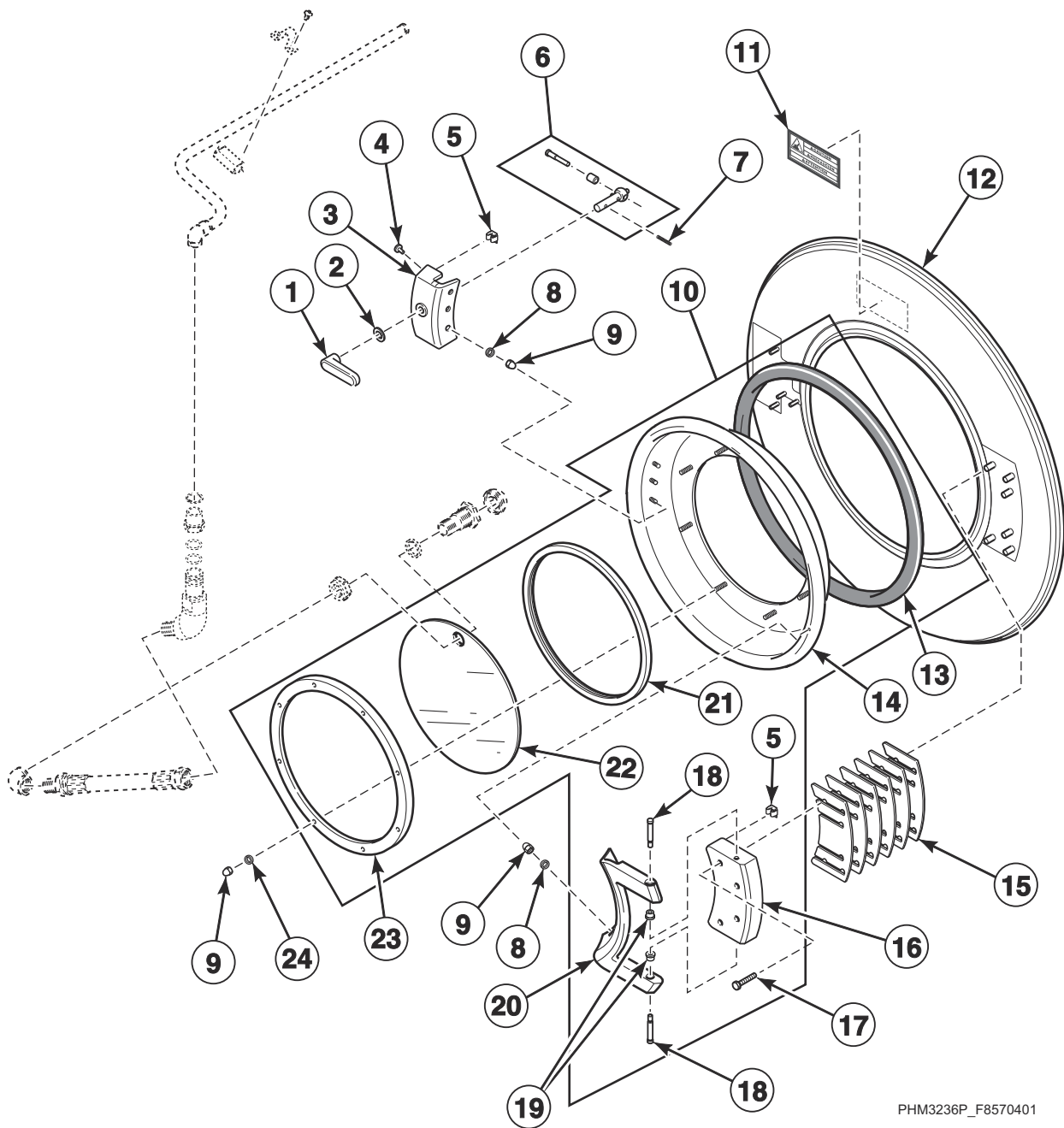


PHM3236PA_F8570401

Spray Tube Assembly

REF	PART NO.	DESCRIPTION	COMMENTS
1	F8575101	Spray Rinse Kit	130 pound models; Includes items 2-8, 12-14 and F8502308 Gasket
	F8575201	Spray Rinse Kit	160 pound models; Includes items 2-8, 12-14 and F8502308 Gasket
2	F8451101	Spray Rinse Bracket	
3	F8451701	Spray Rinse Strap	
4	431287	Screw	
5	F8332306	Spray Rinse Tube Assembly	130 pound models
	F8332305	Spray Rinse Tube Assembly	160 pound models
6	F8508203	Spray Rinse Hose	
7	F8453701	Elbow	
8	F8504001	Swivel Coupling Assembly	Includes items 9-11
9	F170200	O-Ring	
10	F310206	Ring Retainer	
11	F8453801	Swivel Coupling Bushing	
12	F8322601	Nut	
13	F8322701	Spray Nozzle Gasket	
14	F8356301	Door Spray Nozzle Assembly	

Door

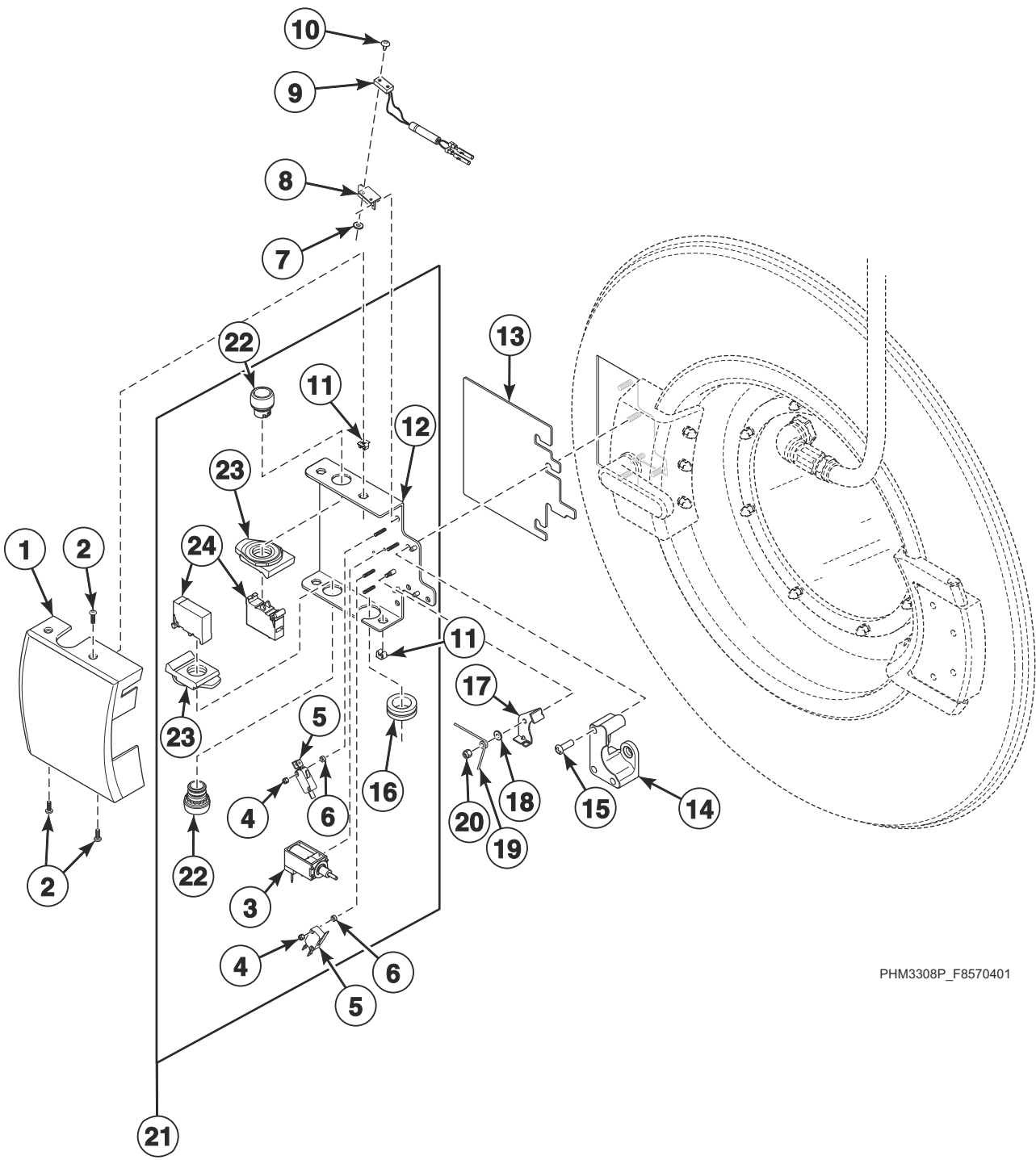


PHM3236P_F8570401

Door

REF	PART NO.	DESCRIPTION	COMMENTS
	F8576501	Door Assembly Kit	130 pound models with a 3 or 4 in the 8th position; Includes items 5, 10, 17, 26, F8322601 Nut, F8322701 Spray Nozzle Gasket, F8479501 Door Hinge Shim, F8489601 Door Lock Plate Shim, F8468801 Door Lock Cover and F8117601 Screw
	F8576601	Door Assembly Kit	160 pound models; Includes items 5, 10, 17, 26, F8322601 Nut, F8322701 Spray Nozzle Gasket, F8479501 Door Hinge Shim, F8489601 Door Lock Plate Shim, F8468801 Door Lock Cover and F8117601 Screw
	F8576701	Door Assembly Kit	130 pound models with a 1 or 2 in the 8th position; Includes items 5, 10, 17, 26, F8322601 Nut, F8322701 Spray Nozzle Gasket, F8479501 Door Hinge Shim, F8489601 Door Lock Plate Shim, F8468801 Door Lock Cover and F8117601 Screw
1	F8435501	Door Handle	
2	F431916	Washer	
3	F8468601	Handle Mount	
4	F8406201	Magnet	
5	70030501	Expansion Clip	
6	F8221403	Door Latch Arm Assembly	
7	F431222	Spring Pin	
8	F8549401	Nut	
9	F431222	Spring Pin	
10	F8480002P	Door Assembly	Models with a 3 or 4 in the 8th position; Includes items 1-4, 6, 7, 13, 14, 16, 18 and 20-24
	F8480001	Door Assembly	Models with a 1 or 2 in the 8th position; Includes items 1-4, 6, 7, 13, 14, 16, 18 and 20-24
11	F8609001	Hot Surface Warning Label	UWU models
	F200085000	Hot Surface Warning Decal	All other models
12	F8479401	Shell Front Assembly	Includes F8233201 Stud, F8467601 Shell Front and F8442001 Pin
13	F8508503	Door Gasket	
14	F8479801	Door Weldment	Studded
15	F8479601	Door Hinge Shim	
16	F8468401	Lug Hinge	
17	F8270701	Bolt	
18	F8549301	Bolt	
19	F8378701	Bushing	
20	F8468201	Door Hinge	
21	F8499903	Door Glass Gasket	
22	F8469201	Door Glass	Models with a 3 or 4 in the 8th position
	F8469101	Door Glass	Models with a 1 or 2 in the 8th position
23	F8488201	Door Glass Retainer	
24	F431100	Washer	

Door Lock

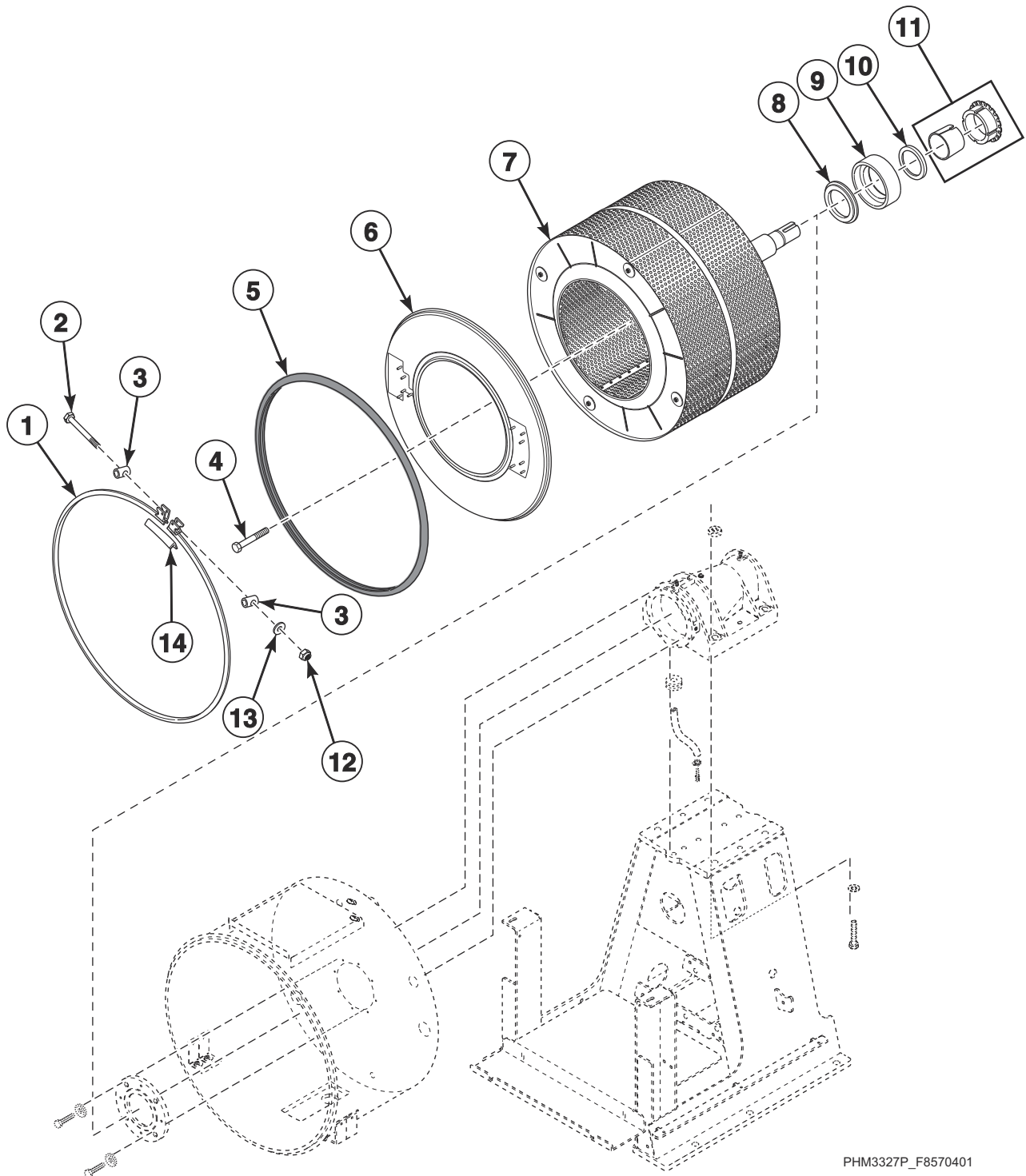


PHM3308P_F8570401

Door Lock

REF	PART NO.	DESCRIPTION	COMMENTS
	F8436101	Door Lock Harness	130 pound models
	F8436201	Door Lock Harness	160 pound models
1	F8468801	Door Lock Cover	130 pound models
	F8468802	Door Lock Cover	160 pound models
2	F8270701	Bolt	
3	F8630601	Solenoid	
4	F430225	Nut	
5	F200203200	Door Lock Microswitch	
6	F431901	Spacer	
7	F431125	Washer	
8	F8493801	Reed Switch Bracket	
9	F8066801P	Reed Switch Assembly	
10	F8245101	Blind Rivet	
11	70030501	Expansion Clip	
12	F8320402	Door Lock Plate Assembly	
13	F8489601	Door Lock Plate Shim	
14	F8344501	Door Lock Catch	
15	F430977	Screw	
16	F8457802	Grommet	
17	F8223401	Door Lock Switch Lever	
18	F8193101	Washer	
19	F8070301	Torsion/Door Lock Spring	
20	F430232	Nut	
21	F8320502	Door Lock Assembly	130 pound models; Includes items 3-12 and 16-20
	F8320503	Door Lock Assembly	160 pound models; Includes items 3-12 and 16-20
22	F8069602	Momentary Pushbutton	160 pound models
23	F8538101	Contact Base	160 pound models
24	F8069502	Contact	160 pound models

Basket

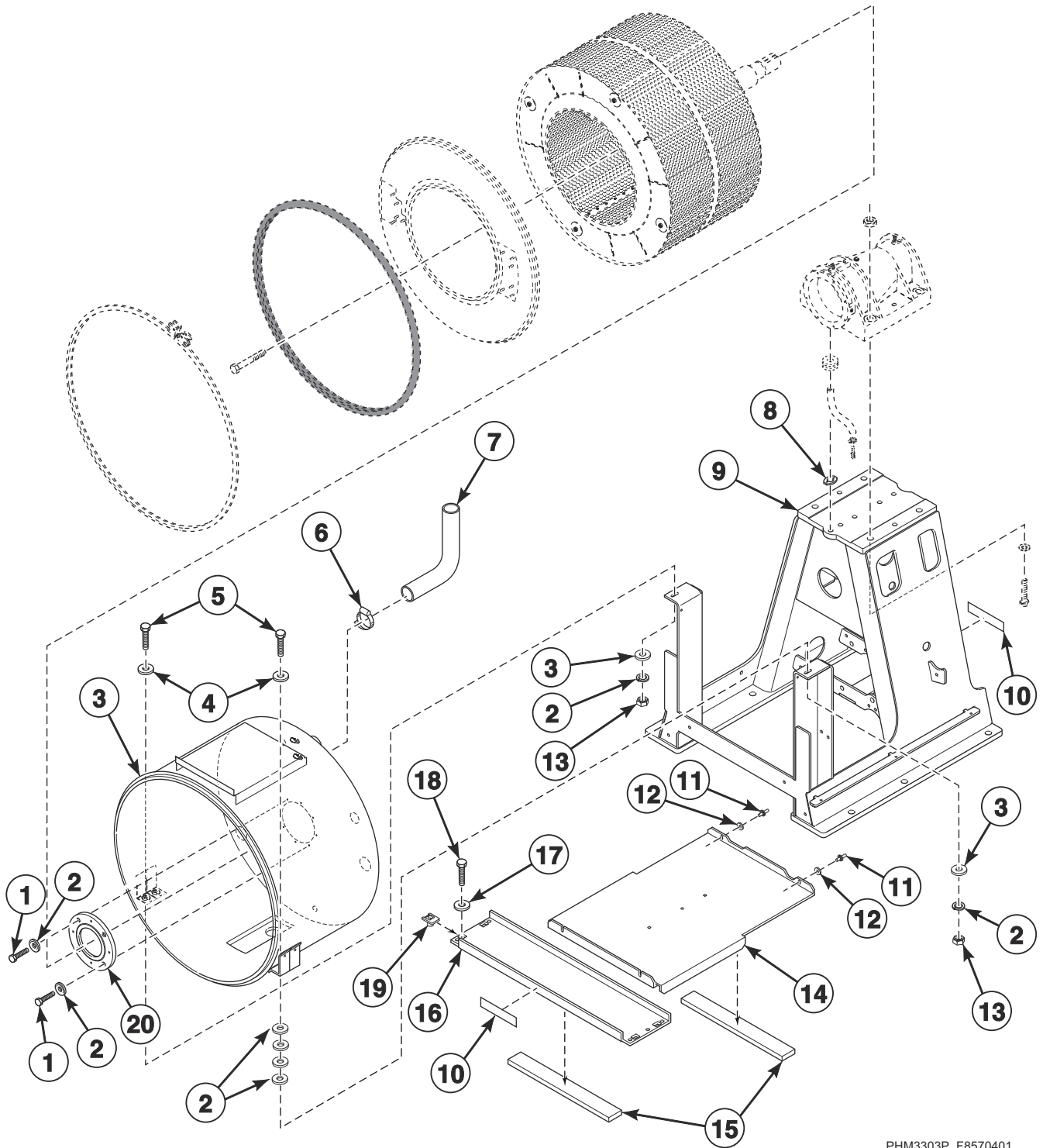


PHM3327P_F8570401

Basket

REF	PART NO.	DESCRIPTION	COMMENTS
	F8537807	Shell Front Gasket Kit	Includes items 1-3, 5 and 14
1	F8388007	Ring Clamp Weldment	
2	800462	Screw	
3	F8302701	Pin	
4	70391101	Screw	
5	F8502307	Gasket	
6	F8479401	Shell Front Assembly	
7	F8576101	Basket Assembly	130 pound models; Includes items 8-11, F8465401 Bearing, M404993 Nut, F431115 Washer and F8343913 Sleeve Seal
	F8576201	Basket Assembly	160 pound models; Includes items 8-11, F8465401 Bearing, M404993 Nut, F431115 Washer and F8343913 Sleeve Seal
8	F8527703	Excluder Seal	
9	F8522603	Shaft Sleeve	
10	F8464903	Insertion Sleeve	
11	F8382503	Adapter Sleeve	
12	F430218	Nut	
13	M400080	Washer	
14	F8510501	Shell Extension Band	

Shell and Frame



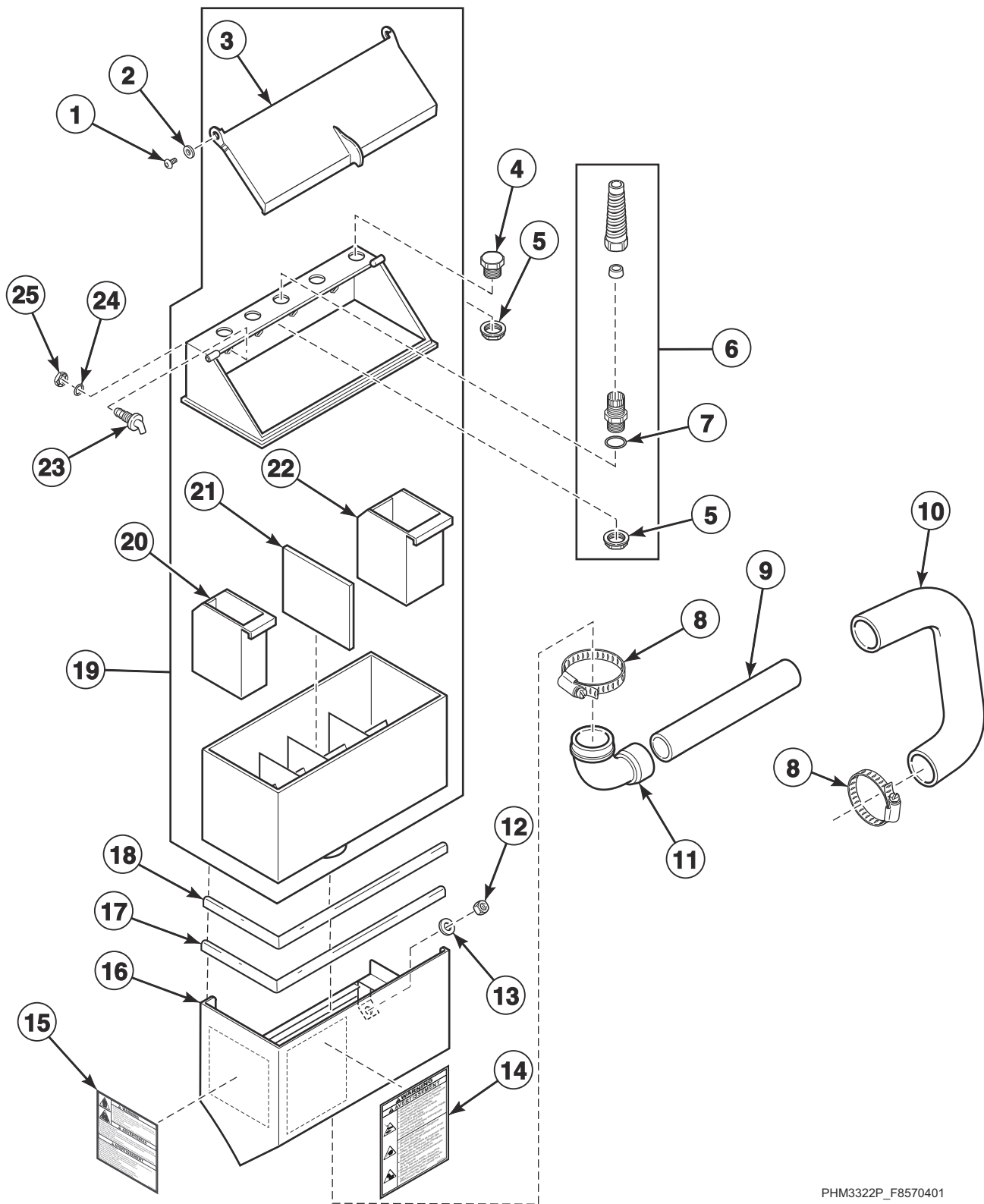
PHM3303P_F8570401

Shell and Frame

REF	PART NO.	DESCRIPTION	COMMENTS
1	F8442702	Screw	
2	F8402701	Washer	
3	F8478601	Shell Assembly	130 pound models with a 2 or 4 in the 8th position; Hot and cold water fill
	F8478602	Shell Assembly	130 pound models with a 2 or 4 in the 8th position; Steam and electric heat
	F8478603	Shell Assembly	130 pound models with a 1 or 3 in the 8th position; Hot and cold water fill
	F8478604	Shell Assembly	130 pound models with a 1 or 3 in the 8th position; Steam and electric heat
	F8478701	Shell Assembly	160 pound models with a 4 in the 8th position; Hot and cold water fill
	F8478702	Shell Assembly	160 pound models with a 4 in the 8th position; Steam and electric heat
	F8478703	Shell Assembly	160 pound models with a 3 in the 8th position; Hot and cold water fill and steam heat
	F8478704	Shell Assembly	160 pound models with a 3 in the 8th position; Steam and electric heat
4	M400081	Washer	
5	H88213996	Screw	
6	F200215	Hose Clamp	
7	F8363601	Vent Hose	
8	F8452701	Seal Scupper Pad	
9	F8473001	Frame	Models through 3/31/2015
	F8473002	Frame	Models starting 4/1/2015
10	F8211201	Electrical Shock Label	UWU models
	F8615701	Pinch Warning Label	UWU models
	44324001	Warning Label	Shock/pinch; All other models
11	70334702	Stud	
12	M400080	Washer	160 pound models
13	44087301	Nut	
14	F8480301	Frame Shield	
15	70414101	Foam Gasket	
16	F8480403	Frame Shield Extension	160 pound models
17	M405535	Washer	160 pound models
18	20253	Screw	160 pound models
19	70030401	Nut	160 pound models
20	F8550103	Seal Wear Plate	

Supply Dispenser

Models with a 1 or 3 in the 8th Position of the Model Number



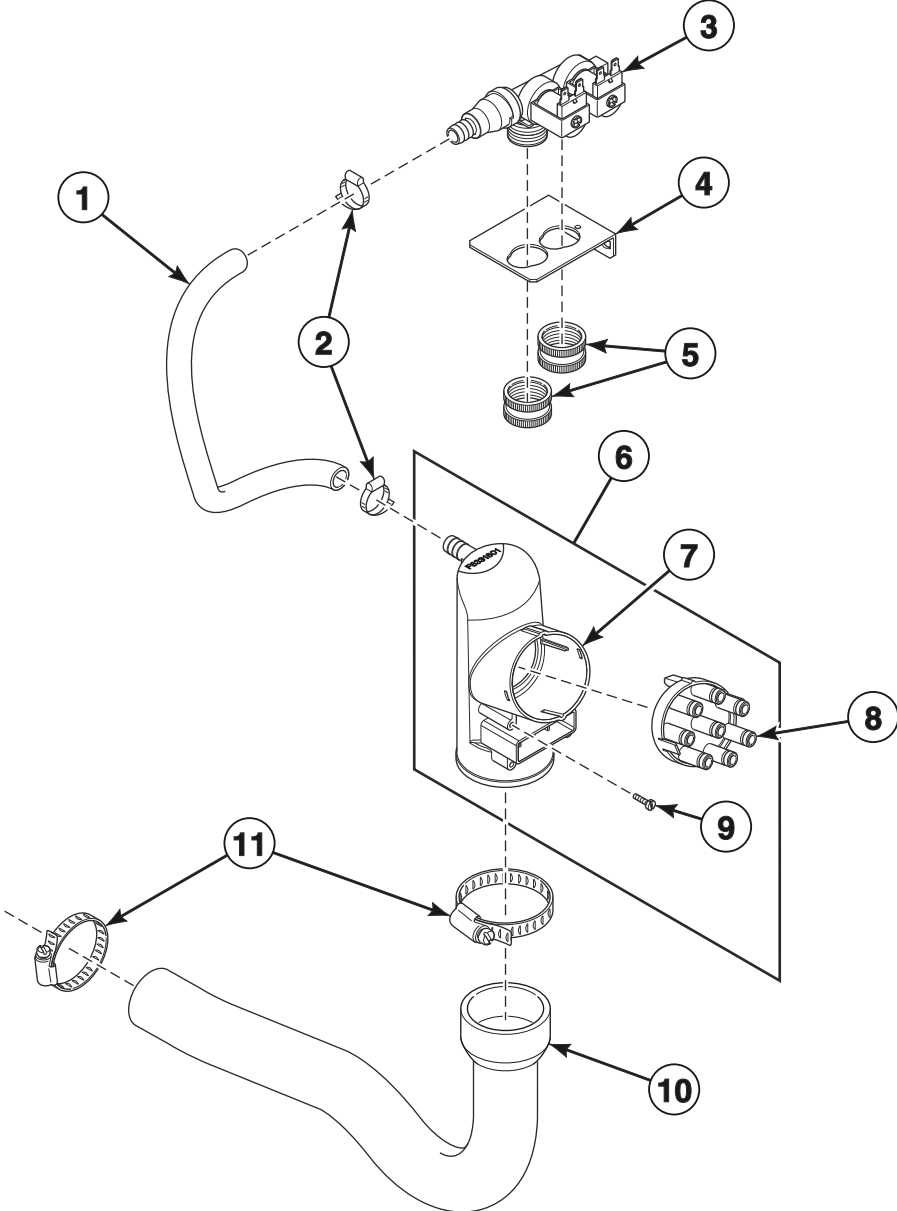
PHM3322P_F8570401

Supply Dispenser

REF	PART NO.	DESCRIPTION	COMMENTS
	F8029503	External Supply Harness	Models with a T in the 7th position
	F8191202	External Supply Harness	Models with a K in the 7th position
1	F430956	Screw	
2	F8195301	Washer	
3	F0150514-00	Dispenser Lid	
4	F190304	Plug Cap	
5	F140340P	Strain Relief Connector	
6	F749802	Strain Relief Adapter Kit	Includes items 5 and 7
7	F170215	O-Ring	
8	F200213	Hose Clamp	No. 40
9	F8551904	Supply Hose	130 pound models
	F8551905	Supply Hose	160 pound models
10	F8510601	Chemical Supply Drain Hose	
11	F8514301	Elbow	
12	F431005	Nut	Loctite 262 required
13	F431147	Washer	
14	F8428501	Warning Label	
15	F8428701	Warning Label	
16	F8549703	Supply Weldment	130 pound models
17	F170400RP	Trim	
18	F170158P	Gasket	
19	F0150512-00P	Dispenser Assembly	Includes items 3 and 18-20
20	F150385	Chemical Supply Cup	3 used; 20 ounce supply cup (12 ounce when tilted)
21	F0150525-00	Supply Dispenser Spacer	
22	F150386	Chemical Supply Cup	2 used: 30 ounce supply cup (22 ounce when tilted)
23	F8322001	Injection Nozzle	
24	F170215	O-Ring	
25	802292	Nut	

Chemical Injection

Models with a 2 or 4 in the 8th Position of the Model Number



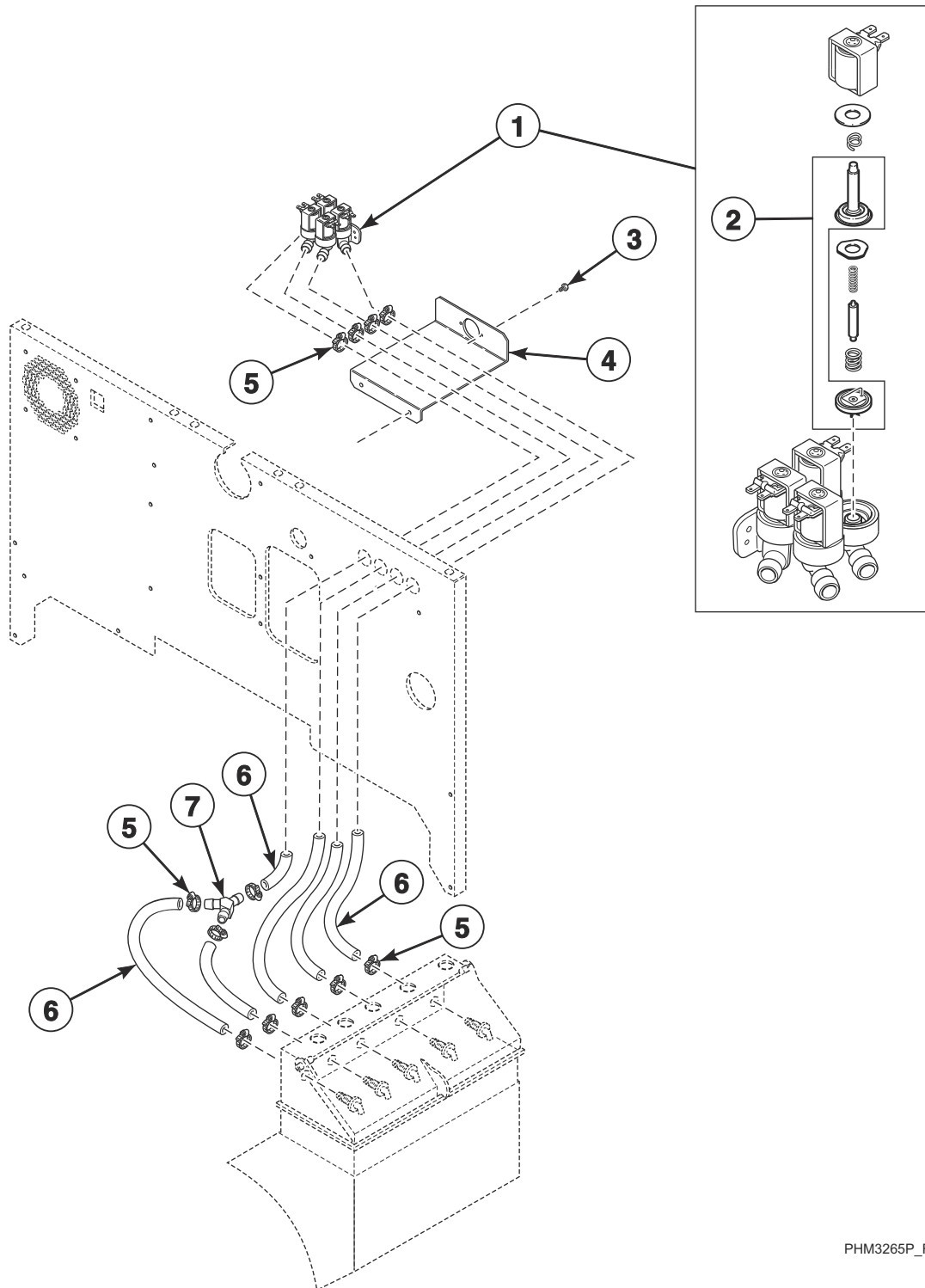
PHM3287P_F8570401

Chemical Injection

REF	PART NO.	DESCRIPTION	COMMENTS
	F8029503	External Supply Harness	Models with a T in the 7th position
	F8191202	External Supply Harness	Models with a K in the 7th position
1	F200116	Fill Hose	
2	36801	Hose Clamp	No. 6
3	202396P	Mixing Valve	
4	F8428901	Water Valve Bracket	
5	F8597201	Cap	
6	F8331801P	Chemical Injection Kit	Includes items 7-9
7	F8331801	Dispenser	
8	F8325102	Dispenser Cap	
9	800548	Screw	
10	F8548803	Hose	
11	F200213	Hose Clamp	No. 40

Water Supply Valve and Hoses to Supply Dispenser

Models with a 1 or 3 in the 8th Position of the Model Number



PHM3265P_F8570401

Water Supply Valve and Hoses to Supply Dispenser

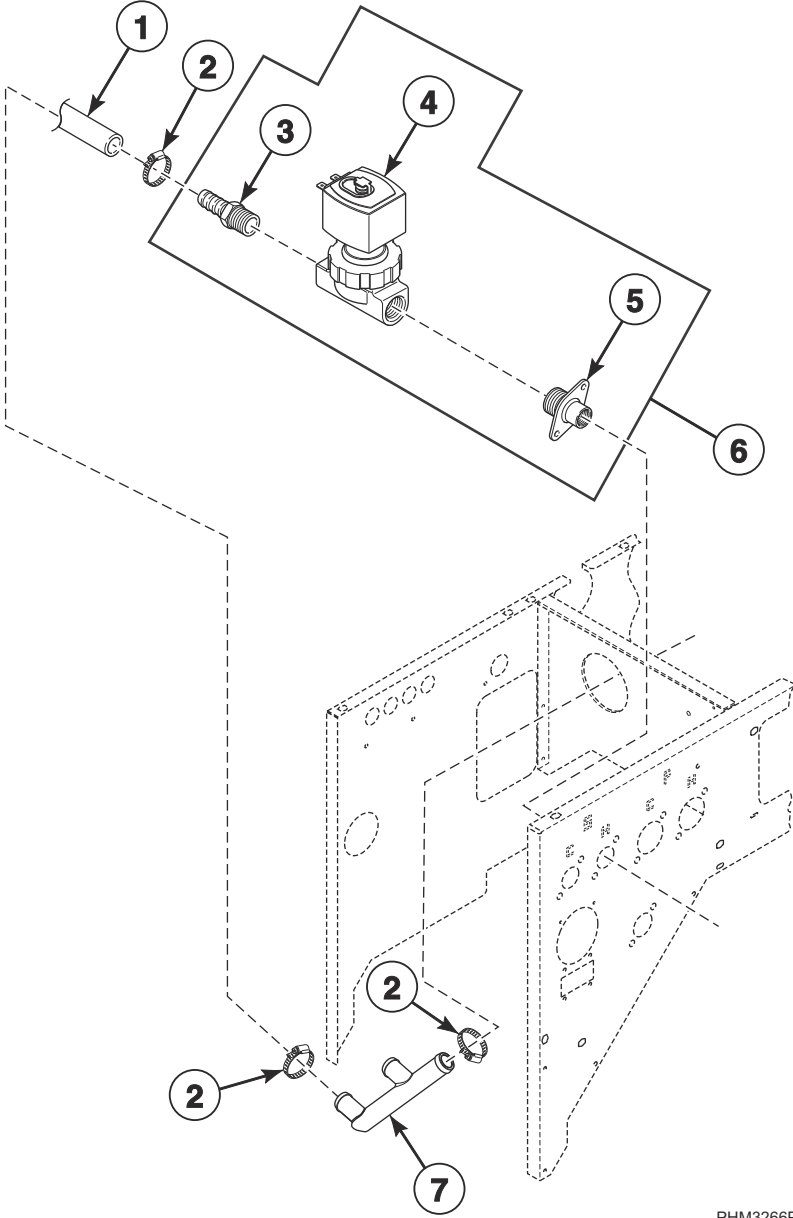
REF	PART NO.	DESCRIPTION	COMMENTS
1	F8336601	4-Way Valve	240 Volt; Includes regulator
	F8347302	Dispenser Valve Harness	
2	G582P3	Diaphragm and Guide Kit	
3	F430948	Screw	
4	F8331902	Valve Mounting Bracket	
5	36801	Hose Clamp	No. 6
6	F200110P	Water Hose	
7	F422816	Y Connector	

Fill Plumbing Assembly

REF	PART NO.	DESCRIPTION	COMMENTS
	F8347103	Fill/Supply Harness	
	F8347501	Fill/Supply Harness	
1	F200153P	Steam Hose	
2	36801	Hose Clamp	No. 8
3	F8374501	Hose Barb	
4	F8322905P	Valve	3/4 inch; Brass; Use F8379502 Valve Transition Kit to repair
5	C000417	Nipple	3/4 inch; Brass
6	F422206	Tee	
7	F8362702	Coupling	3/4 inch
8	F421964	Hose Barb	
9	F8288302	Valve Assembly	Includes items 3-8
10	F8288301	Fill Plumbing Assembly	Includes items 3, 4 and 7
11	F0634705-00	Hose	
12	F200222	Hose Clamp	No. 12
13	F8333201	Manifold	
14	803615	Washer	Filter; 3/4 inch
	F8126601	Strainer	1 inch
15	F200164	Water Hose	Standard thread; 3/4 inch
	F200166	Water Hose	Metric thread; 3/4 inch
	F200185	Water Hose	Standard thread; 1 inch
	F200193	Water Hose	Metric thread; 1 inch
16	F421909	Hose Adapter	Standard thread; 3/4 x 3/4 inch
	F8265701	Adapter	Metric thread; 3/4 x 3/4 inch
	F421968	Hose Adapter	Standard thread; 1 x 1 inch
	F8265801	Chemical Supply Hose	Metric thread; 1 x 1 inch
17	20253	Screw	

Spray Plumbing Assembly

Models with a 3 or 4 in the 8th Position of the Model Number



PHM3266P_F8570401

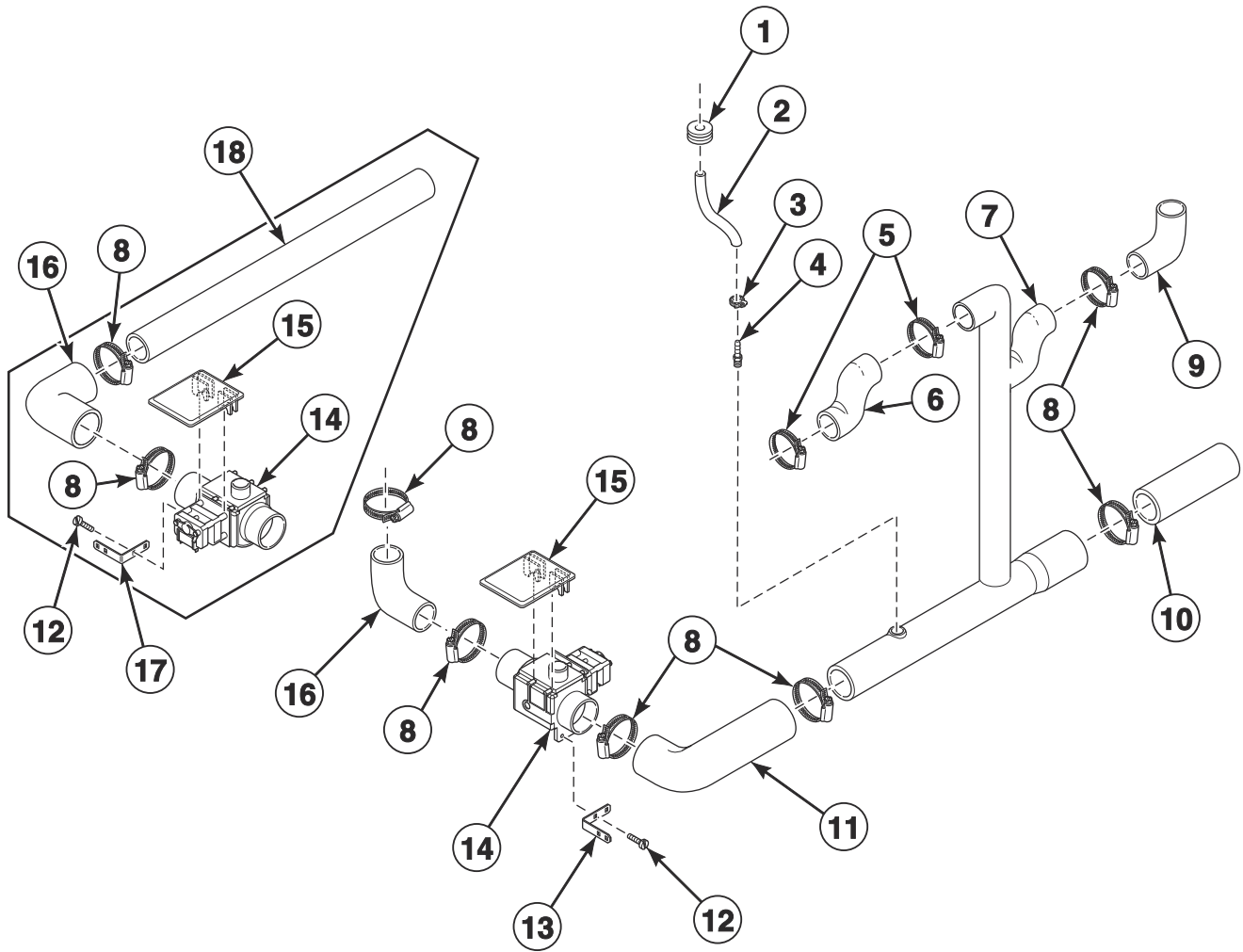
Spray Plumbing Assembly

REF	PART NO.	DESCRIPTION	COMMENTS
	F8347401	Fill/Supply Harness	
	F8347103	Fill/Supply Harness	
1	F8232001	Hose	
2	36801	Hose Clamp	No. 8
3	F8110701	Hose Barb	
4	F8322803P	Valve	1/2 inch; Brass; Use F8456201 Valve Transition Kit to repair
5	F8362702	Coupling	3/4 inch
6	F8288401	Fill Plumbing Assembly	Includes items 3-5
7	F8333201	Manifold	

Drain Plumbing - Single Drain

Standard or Steam Heat

Models with a K in the 7th Position of the Model Number



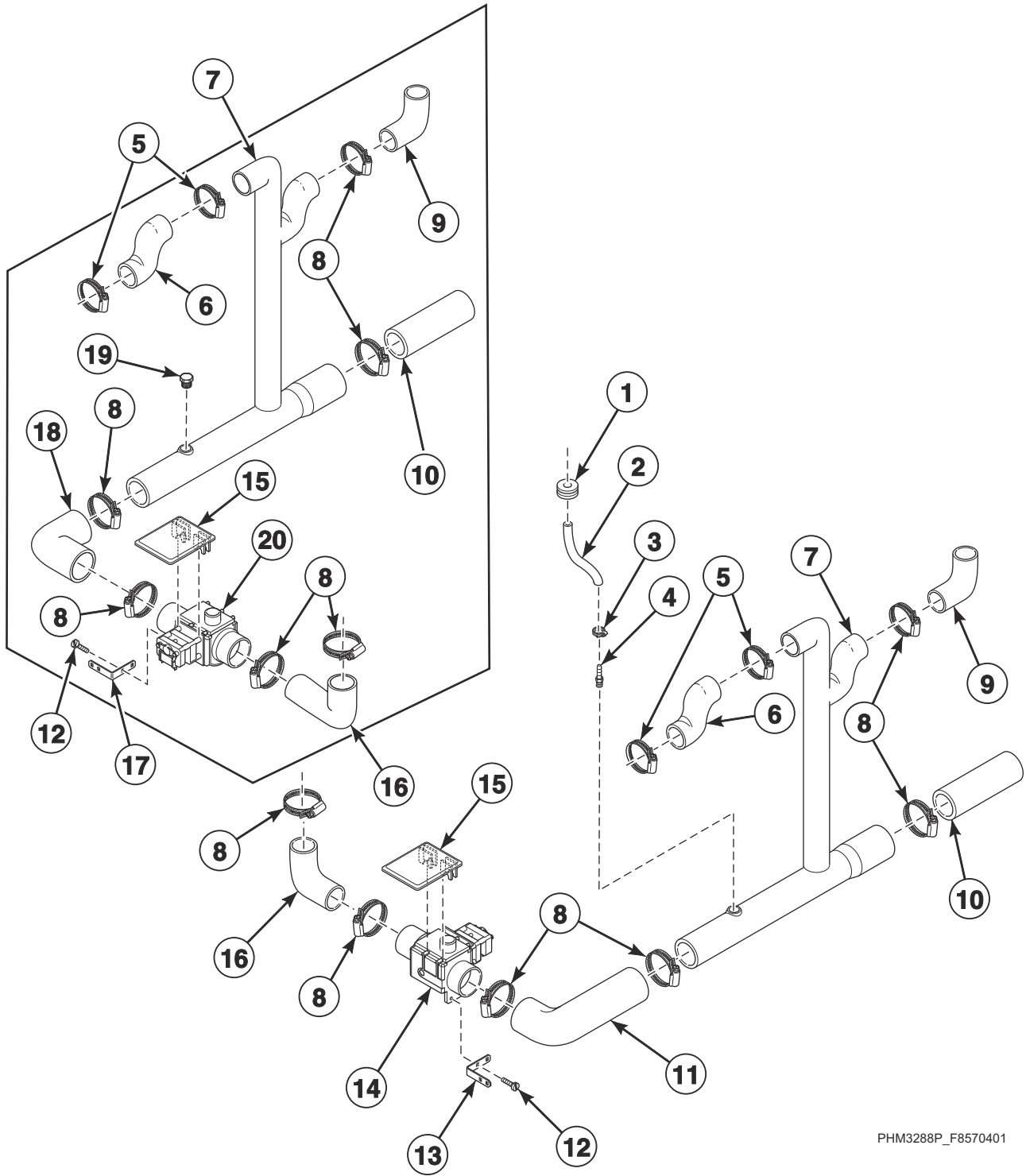
PHM3267P_F8570401

Drain Plumbing - Single Drain

REF	PART NO.	DESCRIPTION	COMMENTS
	F8257001P	Drain Valve Harness	Standard
	F8257002	Drain Valve Harness	Steam heat
	F0150502-00	Plug	
1	F8410501	Grommet	Through serial no. 1707000065
2	F8578002	Tubing	Through serial no. 1707000065
3	36801	Hose Clamp	No. 6; Through serial no. 1707000065
4	F8402301	Hose Barb	Through serial no. 1707000065
	F8531401	Plug	Starting serial no. 1707000066
5	F200215	Hose Clamp	No. 28
6	F0150488-00	Overflow Hose	
7	F8386805	Molded Drain	
8	F200201	Hose Clamp	No. 56
9	F8261303	Drain Hose	
10	F200165100	Drain Hose	
11	F8387301	Drain Elbow Hose	
12	202175	Screw	
13	F8312904	Drain Valve Bracket	Right
14	F8577201	Drain Valve Kit	Includes item 15
15	F200133600	Drain Valve Cover	
16	F8340801	Drain Elbow Hose	
17	F8312905	Drain Valve Bracket	Left
18	F0602365-27	Pipe	Water re-use option

Drain Plumbing - Dual Drain

Electric Heat Models with a K in the 7th Position of the Model Number and
Models with a T in the 7th Position of the Model Number

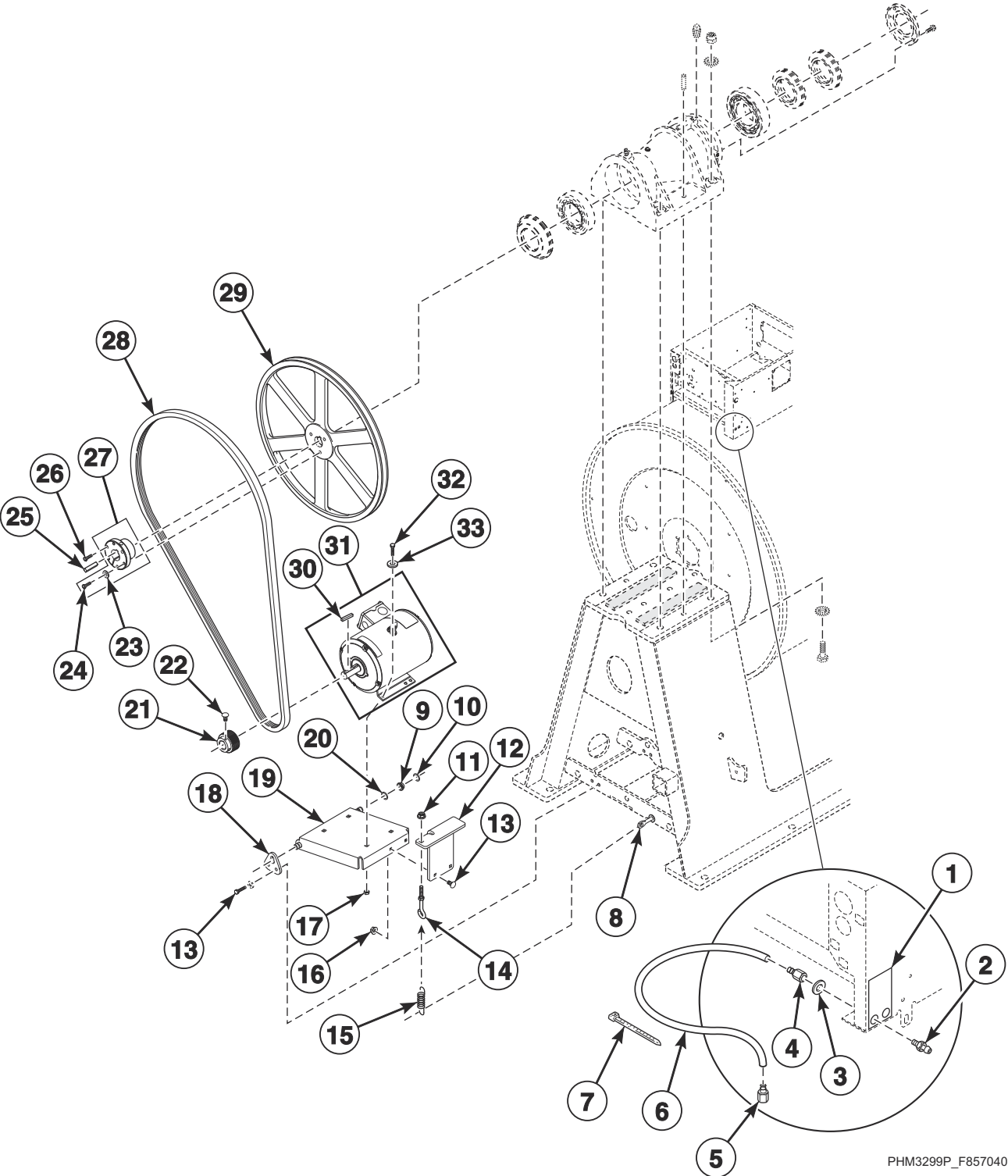


PHM3288P_F8570401

Drain Plumbing - Dual Drain

REF	PART NO.	DESCRIPTION	COMMENTS
	F8257001P	Drain Valve Harness	Standard and electric heat
	F8257002	Drain Valve Harness	Steam heat
	F8257101	Dual Drain Harness	
1	F8410501	Grommet	Through serial no. 1707000065
2	F8578002	Tubing	Through serial no. 1707000065
3	36801	Hose Clamp	No. 6; Through serial no. 1707000065
4	F8402301	Hose Barb	Through serial no. 1707000065
	F8531401	Plug	Starting serial no. 1707000066
5	F200215	Hose Clamp	No. 28
6	F0150488-00	Overflow Hose	
7	F8386805	Molded Drain	
8	F200201	Hose Clamp	No. 56
9	F8261303	Drain Hose	
10	F200165100	Drain Hose	
	F8395801	Drain Hose	Steam and electric heat
11	F8387301	Drain Elbow Hose	
12	202175	Screw	
13	F8312904	Drain Valve Bracket	Right
	F8489101	Drain Valve Bracket	Steam and electric heat; Right
14	F8577201	Drain Valve Kit	Includes item 15
15	F200133600	Drain Valve Cover	
16	F8340801	Drain Elbow Hose	
	F8489001	Drain Elbow Hose	Steam and electric heat
17	F8312905	Drain Valve Bracket	Left
	F8489102	Drain Valve Bracket	Steam and electric heat; Left
18	F8488601	Drain Elbow Hose	
19	F8531401	Plug	
20	F200166402	Drain Valve Kit	

Motor and Pulley

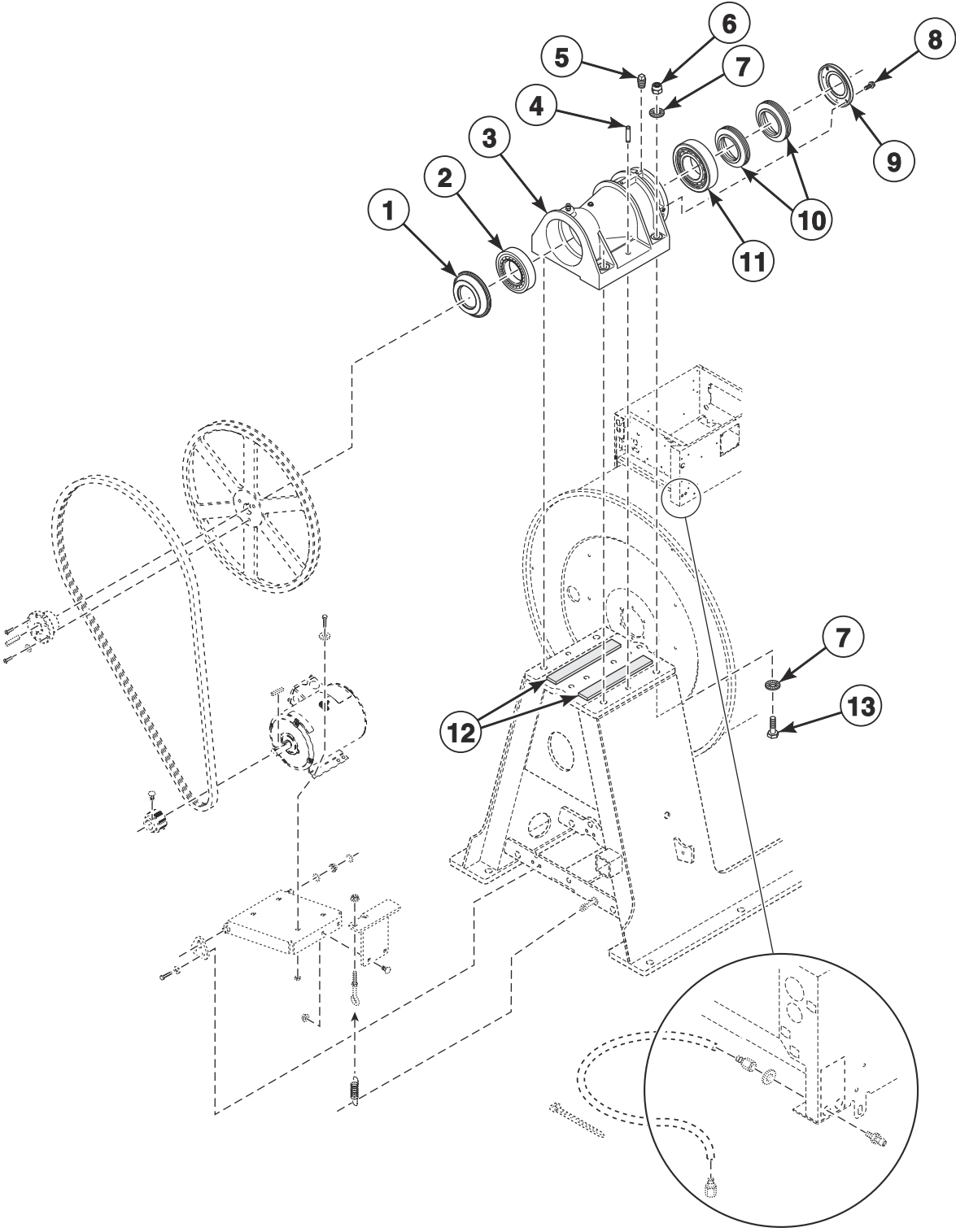


PHM3299P_F8570401

Motor and Pulley

REF	PART NO.	DESCRIPTION	COMMENTS
	F8575801	Motor Plate and Spring Assembly Kit	Includes items 8, 10-17, 19, 20 and 31-33
1	F8422801	Grease Instruction Label	Lubrication
2	F190701	Grease Fitting	
3	70292801	Washer	
4	F422114	Air Coupling	
5	J1408004	Connector	
6	F8245714	Hose	
7	F140605	Cable Tie	6 inch
8	F8748601	Spring Stud Kit	
9	F8333303	Flanged Bushing	
10	F8451601	Spacer	
11	44087201	Nut	
12	F8342202	Motor Spring Bracket	
13	F8402801	Bolt	
14	F8319503	Eye Bolt	
15	F310148	Tension Spring	
16	44087301	Nut	
17	F8387601	Nut	
18	F8441101	Motor Rod Plate	
19	F8441802	Motor Bracket Weldment	
20	F8441901	O-Ring	
21	F8466901	Motor Pulley	
22	F8484702	Screw	
23	M400014	Washer	
24	M400077	Screw	
25	44049001	Key	
26	44079204	Screw	
27	F280294P	Basket Pulley Bushing	Includes items 23 and 24
28	F8382810	Belt	
29	F8522301	Basket Pulley	
30	M405232	Key	
31	F8334801	Motor	Includes item 30
32	800461	Screw	
33	F8366601	Washer	

Bearing Housing

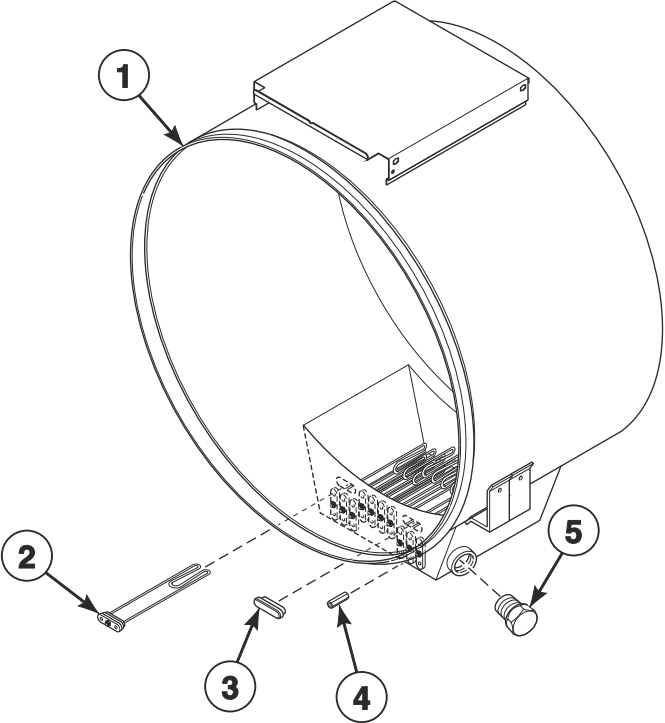


PHM3299PA_F8570401

Bearing Housing

REF	PART NO.	DESCRIPTION	COMMENTS
	F8575401	Bearing Housing Kit	Viton; Includes items 1, 4, 6-8, F8527703 Excluder Seal, F8502306 Shell Band Gasket, F8285108 Seal Wear Plate, F8474802P Bearing Housing Assembly, F8313701 Screw, F410102 Sealant and F8382503 Adapter Sleeve
	F8579601	Bearings and Seals Kit	Viton; Includes items 1, 2, 4, 7, 8, F8527703 Excluder Seal, F8285108 Seal Wear Plate, F8203812 Radial Seal, F8502306 Shell Band Gasket, F8313701 Screw, F8382503 Adapter Sleeve, F8465401 Bearing and F410102 Sealant
	F8474802P	Bearing Housing Assembly	Viton; Includes items 2, 3, 5, 10 and F8465401 Bearing
1	F8528503	Radial Seal	
2	F8465703	Bearing	Spherical
3	F8465201	Bearing Housing	
4	F8406502	Dowel Pin	
5	J1408004	Connector	
6	F430248	Nut	
7	F8171201	Washer	
8	F8442802	Screw	
9	F8550103	Seal Wear Plate	
10	F8203812	Radial Seal	Triple Lip; Viton
11	F8465401	Bearing	Cylindrical; Includes basket sleeve and bearing
12	F8502307	Gasket	
13	F8313702	Screw	

Electric Heat Option

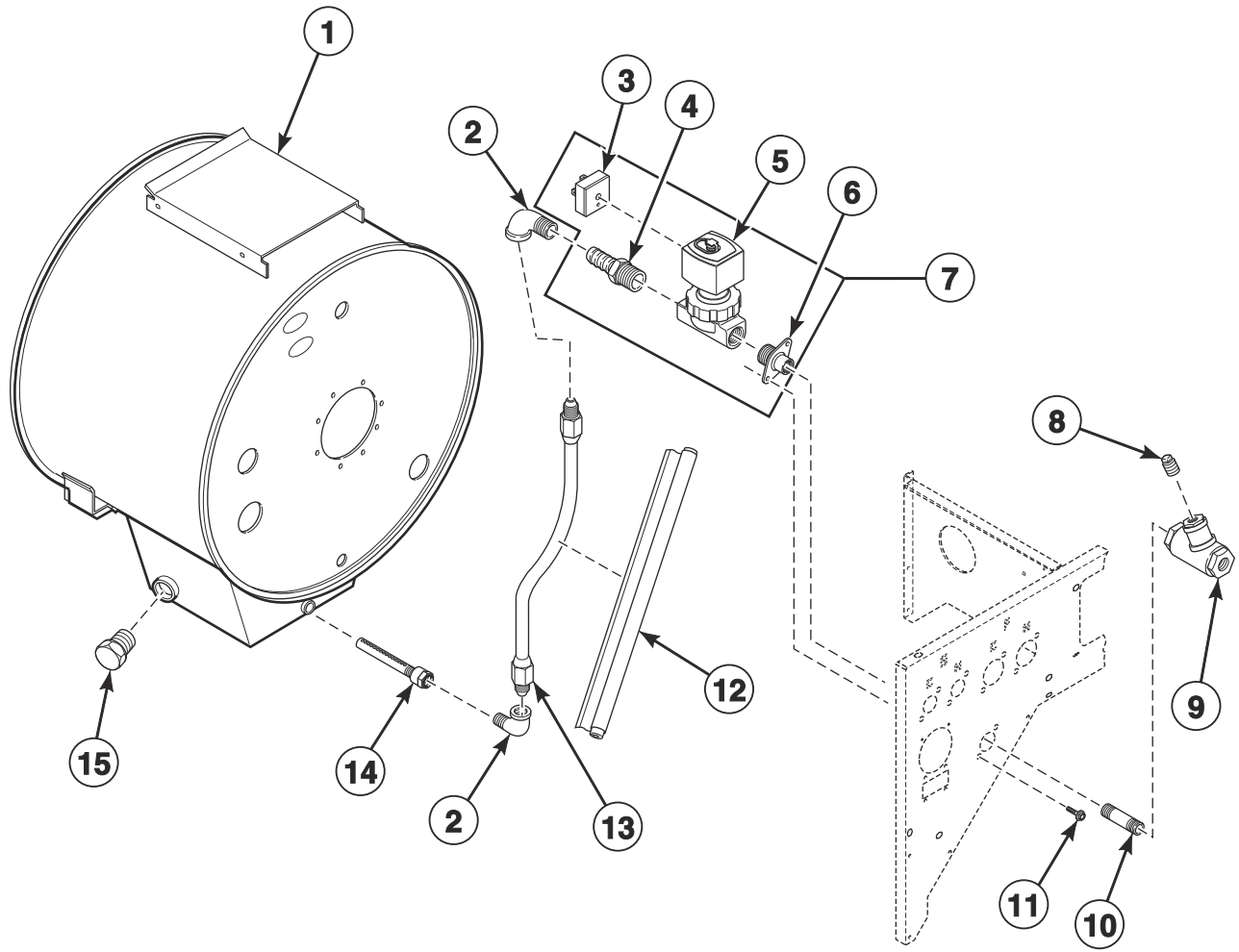


PHM3306P_F8570401

Electric Heat Option

REF	PART NO.	DESCRIPTION	COMMENTS
	F8054707	Electric Heat Harness	130 pound models; N and P-voltage
	F8489101	Drain Valve Bracket	Right
	F8489102	Drain Valve Bracket	Left
1	F8478602	Shell Assembly	130 pound models with a 1 or 3 in the 8th position
	F8478604	Shell Assembly	130 pound models with a 2 or 4 in the 8th position
	F8478704	Shell Assembly	160 pound models with a 3 in the 8th position
	F8478702	Shell Assembly	160 pound models with a 4 in the 8th position
2	F360203P	Heating Element	6 required
	F8056701	Electric Heat Harness	6 required; Element to ground
3	F360202	Heating Element Plug	
4	F8515401	Standoff	
5	F200202600	Plug	

Steam Heat Option

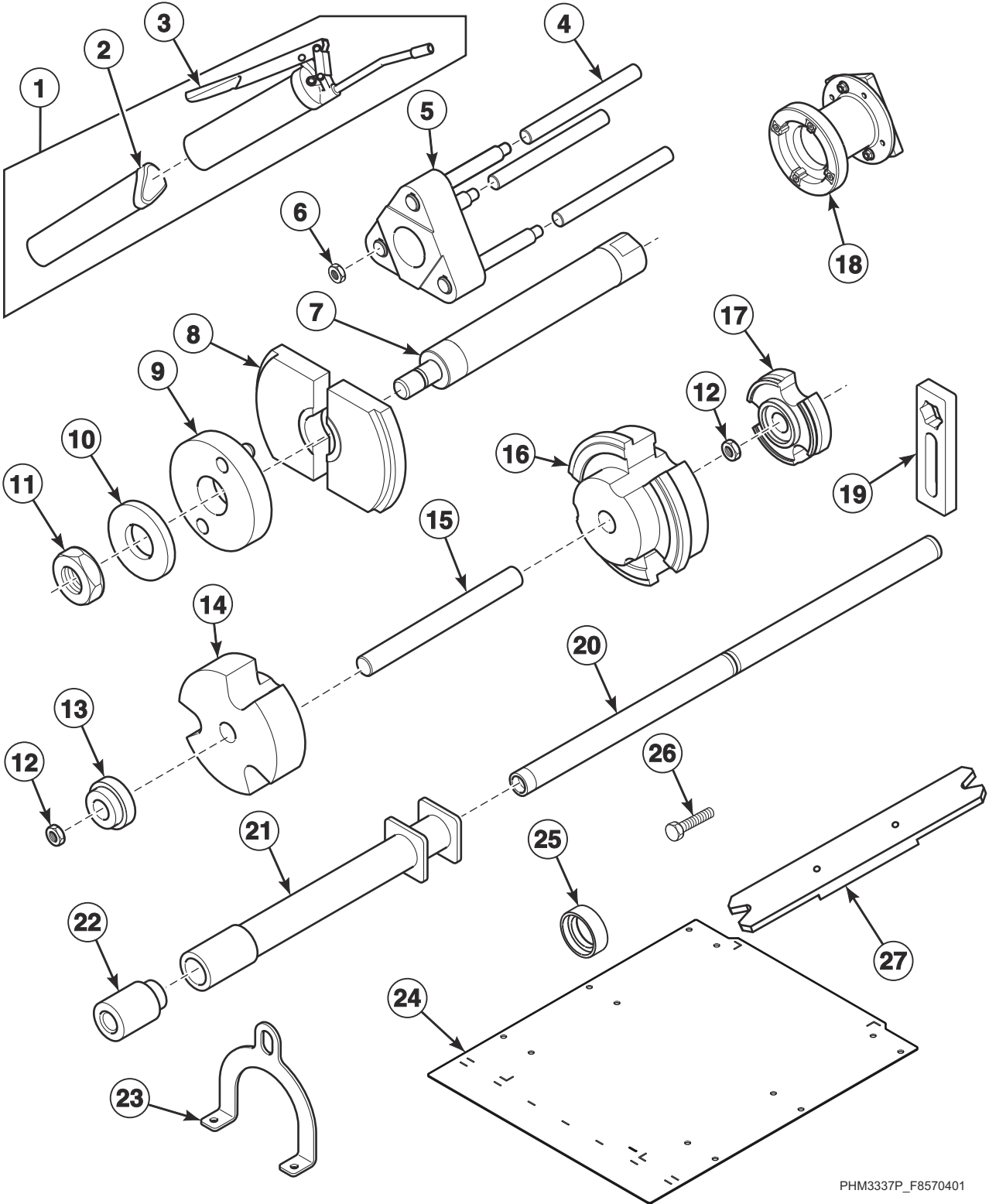


PHM3313P_F8570401

Steam Heat Option

REF	PART NO.	DESCRIPTION	COMMENTS
	F8394601	Steam Assembly	Includes items 2, 3, 6, 7, 10, 13, 14 and F8155201 Coupling
	F945P3	Steam Heat Kit	Includes items 3, 9, 11, 12, 15, F8257002 Drain Valve Harness, F8211901 Label, M412055 Label, F8119401 Label, F8233703 Insulation, F421501 Plug, F8394601 Steam and Plumbing Assembly; Models with P in the 13th position
	F8379502	Valve Rebuild Kit	
	F8735006	Valve Rebuild Kit	3/4 inch; Viton
	F8489101	Drain Valve Bracket	Right
	F8489102	Drain Valve Bracket	Left
	F8257002	Drain Valve Harness	
1	F8478602	Shell Assembly	130 pound models with a 1 or 3 in the 8th position
	F8478604	Shell Assembly	130 pound models with a 2 or 4 in the 8th position
	F8478704	Shell Assembly	160 pound models with a 3 in the 8th position
	F8478702	Shell Assembly	160 pound models with a 4 in the 8th position
2	F421707	Street Elbow	
3	F8382301	DIN Valve Adapter Kit	
4	F421951	Hose Barb	
5	F8322901P	Valve	3/4 inch; 240 Volt
6	F8362702	Coupling	
7	F8288305	Steam Valve Assembly	Includes items 3-6
8	F420409	Plug	
9	F270308	Steam Filter	
10	F421323	Nipple	
11	70321501	Screw	
12	F410300	Pipe Insulation	
13	F150494	Steam Hose	
14	F603132	Steam Injector Tube Assembly	
15	F421507	Plug	

Special Tools



PHM3337P_F8570401

Special Tools

REF	PART NO.	DESCRIPTION	COMMENTS
	203346	USB IR Interface Kit	
	1112P	Concrete Hardware Kit	
	F924P3	Reuse Kit	
	F923P3	Wet-Clean Kit	
	F8133701	UniLinc PC and PDA Software CD	Models with a T in the 7th position; Programmer's version
	F8133301	UniLinc PC and PDA Software CD	Models with a T in the 7th position
	F8599403	Bearing Seal Insertion and Removal Kit	Purchase; Includes items 4-21, 23, 25, 27, 70350503 Wing Nut and F8313702 Screw
	F8599403-1	Bearing Seal Insertion and Removal Kit	Rental; Includes items 4-21, 23, 25, 27, 70350503 Wing Nut and F8313702 Screw
1	F798700	Grease Gun Kit	Includes items 2 and 3
2	F210206P	Bearing Grease	
3	F210207P	Grease Gun	
4	F8599301	Rod	
5	F8560503	Shaft Support Assembly	
6	F8459001	Nut	
7	F8450401	Bearing Removal Shaft Assembly	
8	F8450603	Bearing Removal Plate	
9	F8455602	Bearing Removal Washer Assembly	
10	F8456101	Washer	
11	F8455801	Nut	
12	F8457701	Nut	
13	F8455703	Bearing Removal Plug	
14	F8515103	Front Bearing Fixture Assembly	
15	F8452101	Threaded Rod	
16	F8515303	Seal Press Fixture	
17	F8515203	Rear Bearing Seal Fixture	
18	F8530203	Bearing Sleeve Assembly	
19	F8562801	One Sided Disassembly Fixture	
20	F8534103	Guide Rod Assembly	
21	F8490701	Hammer	
22	F8514401	Hammer Tool Adapter	
23	F8451503	Lifting Fixture	
24	F8471901	Frame Template	
25	F8537503	Excluder Seal Fixture	
26	M400063	Screw	
27	F8634803	Basket Rotation Clamp	

Parts Index

A

Adapter	
F8265701	37
Adapter Sleeve	
F8382503	27
Air Coupling	
F422114	45
Auxiliary Control Assembly	
F8189401P	9
Auxiliary Output Assembly	
F8108501P	9

B

Basket Assembly	
F8576101	27
F8576201	27
Basket Pulley	
F8522301	45
Basket Pulley Bushing	
F280294P	45
Basket Rotation Clamp	
F8634803	53
Bearing	
F8465401	47
F8465703	47
Bearing Grease	
F210206P	53
Bearing Housing	
F8465201	47
Bearing Housing Assembly	
F8474802P	47
Bearing Housing Kit	
F8575401	47
Bearing Removal Plate	
F8450603	53
Bearing Removal Plug	
F8455703	53
Bearing Removal Shaft Assembly	
F8450401	53
Bearing Removal Washer Assembly	
F8455602	53
Bearing Seal Insertion and Removal Kit	
F8599403	53
F8599403-1	53
Bearing Sleeve Assembly	
F8530203	53
Bearings and Seals Kit	
F8579601	47
Belt	
F8382810	45
Belt Guard Assembly	
F8481801	17
F8481802	17
Blind Rivet	
F8245101	25

Bolt	
F8270701	23, 25
F8402801	45
F8549301	23
Bulkhead Brace	
F8483301	19
Bulkhead Panel	
F8482303	19
Bushing	
F8378701	23
44239501	15
70346501	9

C

Cable Tie	
F140605	45
Cap	
F8597201	33
CFG Harness	
F8028109	9
Chemical Connection Cover	
F8477901	19
Chemical Injection Kit	
F8331801P	33
Chemical Supply Cup	
F150385	31
F150386	31
Chemical Supply Drain Hose	
F8510601	31
Chemical Supply Hose	
F8265801	37
Circuit Breaker	
F8303001P	13
70256901P	13
Clean Filter Daily Decal	
F200061000	7, 19
Clip	
M400984	9
Communication Board	
210095P	7
Communication Cable	
F8385103	9, 11
Concrete Hardware Kit	
1112P	53
Connector	
F422500	9
J1408004	45, 47
Contact	
F8069502	25
Contact Base	
F8538101	7, 25
Contact Switch	
F8069501	7
Contacto	
F330188P	13
Control Assembly	
F8499101P	7
F8499401P	7

N/A items do not appear in index.

Control Module Decal	
F8237101	7
F8383101	7
Control Panel Assembly	
F8408601	7
Control Power Harness	
F8389801	11
Conversion Label	
F8099801	19
F8448801	19
Coupling	
F8362702	37, 39, 51

D

Diaphragm and Guide Kit	
G582P3	35
DIN Rail	
F8434101	13
DIN Valve Adapter Kit	
F8382301	51
Dispenser	
F8331801	33
Dispenser Assembly	
F0150512-00P	31
Dispenser Cap	
F8325102	33
Dispenser Cover	
F8338601	19
Dispenser Lid	
F0150514-00	31
Dispenser Valve Harness	
F8347302	35
Door Assembly	
F8480001	23
F8480002P	23
Door Assembly Kit	
F8576501	23
F8576601	23
F8576701	23
Door Gasket	
F8508503	23
Door Glass	
F8469101	23
F8469201	23
Door Glass Gasket	
F8499903	23
Door Glass Retainer	
F8488201	23
Door Handle	
F8435501	23
Door Hinge	
F8468201	23
Door Hinge Shim	
F8479601	23
Door Latch Arm Assembly	
F8221403	23
Door Lock Assembly	
F8320502	25
F8320503	25
Door Lock Catch	
F8344501	25

Door Lock Cover	
F8468801	25
F8468802	25
Door Lock Harness	
F8436101	25
F8436201	25
Door Lock Microswitch	
F200203200	25
Door Lock Plate Assembly	
F8320402	25
Door Lock Plate Shim	
F8489601	25
Door Lock Switch Lever	
F8223401	25
Door Spray Nozzle Assembly	
F8356301	21
Door Weldment	
F8479801	23
Dowel Pin	
F8406502	47
Drain Elbow Hose	
F8340801	41, 43
F8387301	41, 43
F8488601	43
F8489001	43
Drain Hose	
F200165100	41, 43
F8261303	41, 43
F8395801	43
Drain Valve Bracket	
F8312904	41, 43
F8312905	41, 43
F8489101	43, 49, 51
F8489102	43, 49, 51
Drain Valve Cover	
F200133600	41, 43
Drain Valve Harness	
F8257001P	41, 43
F8257002	41, 43, 51
Drain Valve Kit	
F200166402	43
F8577201	41, 43
Drive Box Partition Panel	
F8375902	19
Drive Bracket	
F8322402	11
Drive Control Harness	
F8030101P	9
F8030201P	11
Drive Fan Harness	
F8113901	13
Drive Mounting Bracket	
F8386902	11
Drive Mounting Panel	
F8483201	19
Drive Power Harness	
F8027804	11
Dual Drain Harness	
F8257101	43

N/A items do not appear in index.

E

Earth Terminal Sticker	
M412096	13
Elbow	
F8453701	21
F8514301	31
Electric Heat Coils Harness	
F8054901	11
F8054902	11
F8054903	11
Electric Heat Harness	
F8054601	11
F8054602	11
F8054603	11
F8054707	49
F8056701	49
Electric Shock Danger Label	
F8115501	11
Electrical Access Cover	
F8323801	19
Electrical Shock Label	
F8211201	7, 11, 17, 19, 29
Emergency Stop Harness	
F8060501	7
Emergency Stop Pushbutton	
F200233500	7
EMI Filter	
F8054002	11
EMI Filter Power Harness	
F8129001	11
Ethernet Gateway Kit	
NK320	7
Excluder Seal	
F8527703	27
Excluder Seal Fixture	
F8537503	53
Expansion Clip	
70030501	9, 17, 19, 23, 25
External Supply Connection Decal	
F8059801	7
F8150201	7, 19
External Supply Harness	
F8029503	31, 33
F8191202	31, 33
External Supply Label	
F8161701	7
Eye Bolt	
F8319503	45

F

Female Pin Terminal	
00117	9
Fill Hose	
F200116	33
Fill Plumbing Assembly	
F8288301	37
F8288401	39
Fill/Supply Harness	
F8347103	37, 39
F8347401	39

F8347501	37
Filter	
F200318900P	9, 13
F8454401	11
Filter Retainer Guard	
F220900	9, 13
Flanged Bushing	
F8333303	45
Foam Gasket	
70414101	29
Frame	
F8473001	29
F8473002	29
Frame Shield	
F8480301	29
Frame Shield Extension	
F8480403	29
Frame Template	
F8471901	53
Front Bearing Fixture Assembly	
F8515103	53
Front Bulkhead Panel	
F8482201	19
F8482202	19
F8482203	19
F8482204	19
Front Panel	
F8481401	17
Fuse	
802492	9
802493	9

G

Gasket	
F170158P	31
F8502307	27, 47
Grease Fitting	
F190701	45
Grease Gun	
F210207P	53
Grease Gun Kit	
F798700	53
Grease Instruction Label	
F8422801	7, 45
Grommet	
F170604	17
F8410501	41, 43
F8433001	9
F8457802	25
F8528401	19
Ground Decal	
F230630	11
F230739	11
Ground Lug Connector	
M411283	13
Guide Rod Assembly	
F8534103	53

N/A items do not appear in index.

H

Hammer	
F8490701	53
Hammer Tool Adapter	
F8514401	53
Handle Mount	
F8468601	23
Harness	
F8454601	11
Heating Element	
F360203P	49
Heating Element Plug	
F360202	49
Hose	
F0634705-00	37
F8232001	39
F8245714	45
F8548803	33
Hose Adapter	
F421909	37
F421968	37
Hose Barb	
F421951	51
F421964	37
F8110701	39
F8374501	37
F8402301	41, 43
Hose Clamp	
F200201	41, 43
F200213	31, 33
F200215	29, 41, 43
F200222	37
36801	33, 35, 37, 39, 41, 43
Hot Surface Warning Decal	
F200085000	23
Hot Surface Warning Label	
F8609001	23

I

Injection Nozzle	
F8322001	31
Insertion Sleeve	
F8464903	27
Insulator	
M413862	11
Interlock Switch Harness	
F8030501P	9
F8158801P	9
Inverter Drive	
F8169694	11
F8169695	11
F8169696	11
F8169697	11

J

Jumper Configuration Assembly	
M413507	9

Jumper Harness Assembly	
M413506	9

K

Key	
M405232	45
44049001	45

L

Left Side Panel	
F8481102	17
F8481104	17
Lifting Fixture	
F8451503	53
Logo	
F8443101	7
Lug Hinge	
F8468401	23

M

Magnet	
F8406201	23
Male Tab Terminal	
00177	13
Manifold	
F8333201	37, 39
Mixing Valve	
202396P	33
Module Box Assembly	
F8410411	9
F8410412	9
Module Box Front Panel Assembly	
F8664203	7
Module Box Panel	
F8408901	7
F8410303	7
Module Box Panel Kit	
F8412502P	7
F8575501	7
F8575601	7
Module Box Power Harness	
F8433101	9
Molded Drain	
F8386805	41, 43
Momentary Pushbutton	
F8069602	25
Motor	
F8334801	45
Motor Bracket Weldment	
F8441802	45
Motor Plate and Spring Assembly Kit	
F8575801	45
Motor Pulley	
F8466901	45
Motor Rod Plate	
F8441101	45

N/A items do not appear in index.

Motor Spring Bracket F8342202	45
Mount on Concrete Warning Label F8246401	17
Muffin Fan F110110	9, 13

N

Network Board Assembly 201341	9
Network Board Bracket F8079401	9
Network Controller Kit NK220	7
Network Retrofit Kit NK205	7
Network Wire Harness Assembly 44088501P	9
Nipple C000417	37
F421323	51
Nut F430218	27
F430225	15, 25
F430231	9, 13
F430232	9, 25
F430248	47
F431005	31
F8322601	21
F8387601	45
F8455801	53
F8457701	53
F8459001	53
F8549401	23
M400977	7
44087201	45
44087301	29, 45
70030401	17, 29
802292	31

O

One Sided Disassembly Fixture F8562801	53
O-Ring F170200	21
F170215	31
F8441901	45
Output Control Assembly Kit F980P3	9
Output/Logic Harness F8028701	7, 11
Overflow Hose F0150488-00	41, 43
Overlay F8551301	7

P

Panel Locator 56079	17
------------------------------	----

PC Board Standoff 210098	7
Pin F8302701	27
Pinch Warning Label F8615701	7, 11, 17, 19, 29
Pipe F0602365-27	41
Pipe Insulation F410300	51
Pipe Rinse Tube Assembly F8332306	21
Plug F0150502	41
F200202600	49
F420409	51
F421507	51
F8223901	9, 13
F8531401	41, 43
M400985	9
70180001	19
Plug Cap F190304	31
Pop Rivet F431210	9
70058501	11, 13, 19
Power Distribution Block M413865	11
Power Distribution Block Cover 44014901P	11
Power Harness F8508301	9, 11
Pressure Bulb Assembly 205241	9

R

Radial Seal F8203812	47
F8528503	47
Rear Bearing Seal Fixture F8515203	53
Rear Bulkhead Edging F8484101	19
Rear Bulkhead Panel F8482001	19
Reed Switch Assembly F8066801P	25
Reed Switch Bracket F8493801	25
Reuse Kit F924P3	53
Right Side Panel F8481101	17
F8481103	17
Ring Clamp Weldment F8388007	27
Ring Retainer F310206	21
Rivet M412763	17
Rocker Switch F8367701	7

N/A items do not appear in index.

Rod		
F8599301	53
Rotation Sensor		
F8066201	15
Rotation Sensor Harness		
F8066401	15
Rotation Sensor Plate		
F8474901	15

S

Screw		
F430903	9, 13
F430948	35
F430956	31
F430977	25
F8117601	9, 17, 19
F8151201	9, 13
F8206901	7, 13, 19
F8313702	47
F8413701	7
F8442702	29
F8442802	47
F8463301	15
F8484702	45
H88213996	29
M400063	53
M400077	45
M401938	15
202175	41, 43
20253	17, 29, 37
39733	11
431287	21
44079204	45
51780	9, 13
51783	13
70182601	17
70321501	51
70391101	27
800461	45
800462	27
800548	33
Seal Press Fixture		
F8515303	53
Seal Scupper Pad		
F8452701	29
Seal Wear Plate		
F8550103	29, 47
Shaft Sleeve		
F8522603	27
Shaft Support Assembly		
F8560503	53
Shell Assembly		
F8478601	29
F8478602	29, 49, 51
F8478603	29
F8478604	29, 49, 51
F8478701	29
F8478702	29, 49, 51
F8478703	29
F8478704	29, 49, 51
Shell Extension Band		
F8510501	27
Shell Front Assembly		
F8479401	23, 27

Shell Front Gasket Kit		
F8537807	27
Size Configuration Wiring Harness		
F8028119	9, 13
F8028120	9, 13
Snap Bushing		
M402542	9, 13
Solenoid		
F8630601	25
Spacer		
F431901	25
F8451601	45
Spray Nozzle Gasket		
F8322701	21
Spray Rinse Bracket		
F8451101	21
Spray Rinse Hose		
F8508203	21
Spray Rinse Kit		
F8575101	21
F8575201	21
Spray Rinse Strap		
F8451701	21
Spray Rinse Tube Assembly		
F8332305	21
Spring Pin		
F431222	23
Spring Stud Kit		
F8748601	45
Standoff		
F8515401	49
Steam Assembly		
F8394601	51
Steam Filter		
F270308	51
Steam Heat Kit		
F945P3	51
Steam Hose		
F150494	51
F200153P	37
Steam Injector Tube Assembly		
F603132	51
Steam Valve Assembly		
F8288305	51
Steam-Electric Switch Label		
F8368301	7
Step Down Power Harness		
F8389901	13
Strain Relief Adapter Kit		
F749802	31
Strain Relief Connector		
F140340P	31
Strainer		
F8126601	37
Street Elbow		
F421707	51
Stud		
70334702	29
Supply Dispenser Spacer		
F0150525-00	31
Supply Hose		
F8551904	31
F8551905	31

N/A items do not appear in index.

Supply Weldment F8549703	31
Swivel Coupling Assembly F8504001	21
Swivel Coupling Bushing F8453801	21

T

Tee F422206	37
Temperature Harness F8028221P	15
F8028223	15
Temperature Wiring Harness F8028224	13, 15
Tension Spring F310148	45
Terminal Block 430642	11
Terminal Block Shield 70333001	11
Thermistor Sensor F370609	15
Threaded Rod F8452101	53
Top Center Cover F8482901	19
Top Left Cover F8480504	19
Top Right Cover F8480503	19
Torsion/Door Lock Spring F8070301	25
Transformer 201616P	9, 13
803527P	9
Trim F170400RP	31
F8412806	17
F8412810	9
F8412812	17
Tubing F8339601	9
F8578002	41, 43

U

UniLinc PC and PDA Software CD F8133301	53
F8133701	53
USB Gateway Kit NK320	7
USB IR Interface Kit 203346	53
Use Copper Conductors Only Caution Label F8242201	11

V

Valve F8322803P	39
F8322901P	51
F8322905P	37
Valve Assembly F8288302	37
Valve Mounting Bracket F8331902	35
Valve Rebuild Kit F8379502	51
F8735006	51
Valve, 4-Way F8336601	35
Vent Hose F8363601	29
Vibration Switch F8204001	15
Vibration Switch Shield F8337301	15

W

Warning Label F8233501	7, 19
F8428501	19, 31
F8428701	7, 31
44324001	7, 11, 17, 19, 29
Washer F431100	23
F431125	15, 25
F431147	31
F431916	23
F8171201	47
F8193101	25
F8195301	31
F8366601	45
F8402701	29
F8456101	53
M400014	45
M400080	27, 29
M400081	29
M405535	17, 29
70292801	45
803615	37
Water Hose F200110P	35
F200164	37
F200166	37
F200185	37
F200193	37
Water Valve Bracket F8428901	33
Wet-Clean Kit F923P3	53
Wire Label 70218701	11
Wireless Network Kit NK301	7

Y

Y Connector F422816	35
------------------------------	----

N/A items do not appear in index.

