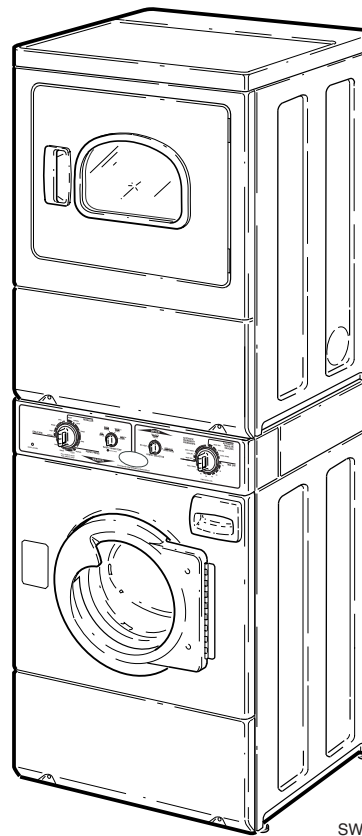


# Stacked Washers and Dryers

Electric and Gas Dryers

— Installation —

**NOTA:** El manual en español aparece después del manual en inglés.



SWD439C

**Keep These Instructions for Future Reference.**

(If this machine changes ownership, this manual must accompany machine.)

  
**Alliance**  
Laundry Systems

[www.alliancelandry.com](http://www.alliancelandry.com)

Part No. 800937R1  
August 2017

# Model Identification

Information in this manual is applicable to these models:

LTS87A\*H

LTS89A\*H

LTU87A\*H

LTU89A\*H

LTZ87A\*H

LTZ89A\*H



## WARNING

**FOR YOUR SAFETY**, the information in this manual must be followed to minimize the risk of fire or explosion or to prevent property damage, personal injury or death.

W033

- Do not store or use gasoline or other flammable vapors and liquids in the vicinity of this or any other appliance.
- **WHAT TO DO IF YOU SMELL GAS:**
  - Do not try to light any appliance.
  - Do not touch any electrical switch; do not use any phone in your building.
  - Clear the room, building or area of all occupants.
  - Immediately call your gas supplier from a neighbor's phone. Follow the gas supplier's instructions.
  - If you cannot reach your gas supplier, call the fire department.
- Installation and service must be performed by a qualified installer, service agency or the gas supplier.

W052

**IMPORTANT:** Purchaser must consult the local gas supplier for suggested instructions to be followed if the unit user smells gas. The gas utility instructions plus the SAFETY and WARNING note directly above must be posted in a prominent location near the unit for customer use.

## FOR YOUR SAFETY

**Do not store or use gasoline or other flammable vapors and liquids in the vicinity of this or any other appliance.**

W053

The following information applies to the state of Massachusetts, USA.

- This appliance can only be installed by a Massachusetts licensed plumber or gas fitter.
- This appliance must be installed with a 36 inch (91 cm) long flexible gas connector.
- A "T-Handle" type gas shut-off valve must be installed in the gas supply line to this appliance.
- This appliance must not be installed in a bedroom or bathroom.



# Table of Contents

<b>Replacement Parts</b> .....	5
<b>Installation</b> .....	7
Dimensions and Specifications .....	7
Before You Start .....	8
Tools .....	8
Water .....	8
Gas .....	8
Location .....	8
Exhaust .....	8
Electrical .....	8
Installing the Unit .....	9
Step 1: Position Unit Near Installation Area .....	9
Step 2: Connect Water Inlet Hoses .....	9
Step 3: Connect Drain Hose to Drain Receptacle .....	10
Step 4: (Gas Dryer Only) Connect Gas Supply Pipe .....	12
Step 5: (Electric Dryer Only) Connect Electrical Plug .....	13
Step 6: Connect Dryer Exhaust System .....	14
Step 7: Position and Level the Unit .....	15
Step 8: Remove the Shock Sleeves and Shipping Brace (Washer Only) .....	16
Step 9: Wipe Out Inside of Washer Drum and Dryer Drum .....	16
Step 10: Plug In the Washer and Dryer .....	17
Step 11: Check Installation .....	17
Moving Unit to a New Location .....	17
Heat Source Check .....	18
Electric Dryers .....	18
Gas Dryers .....	18
Electrical Requirements .....	19
Washer .....	19
Electric Dryer .....	20
Electrical Plug Connection .....	22
Three-Wire Plug .....	22
Four-Wire Plug .....	23
Electrical Requirements .....	25
Gas Dryer .....	25
Gas Requirements .....	27
Water Supply Requirements .....	29
Water Temperature .....	29
Water Pressure .....	29
Risers .....	29
Location Requirements .....	30

© Copyright 2017, Alliance Laundry Systems LLC

All rights reserved. No part of the contents of this book may be reproduced or transmitted in any form or by any means without the expressed written consent of the publisher.

Dryer Exhaust Requirements .....	31
Exhaust System Materials .....	31
Make-Up Air Requirements .....	32
Make-Up Air Dos and Don'ts .....	32
Exhaust Direction.....	32
Exhaust System .....	33
Exhaust System Maintenance .....	34
Dryer Airflow.....	34
Information for Handy Reference.....	35
<b>Installer Checklist .....</b>	<b>Back Cover</b>

# Replacement Parts

If replacement parts are required, contact the source from where you purchased your unit or contact:

**Alliance Laundry Systems**  
**Shepard Street**  
**P.O. Box 990**  
**Ripon, WI 54971-0990**  
**U.S.A.**  
**Phone: (920) 748-3950**

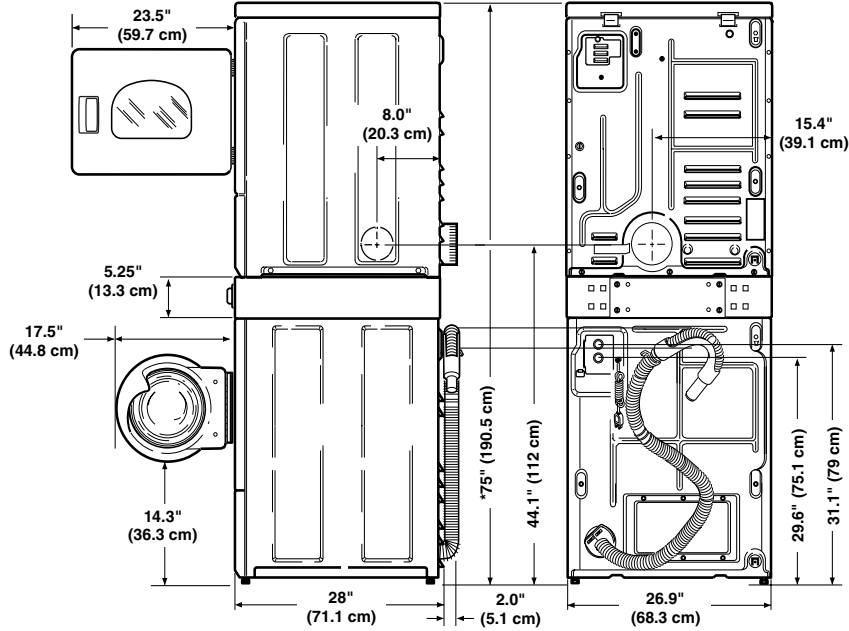
for the name and address of the nearest authorized parts distributor.





# Installation

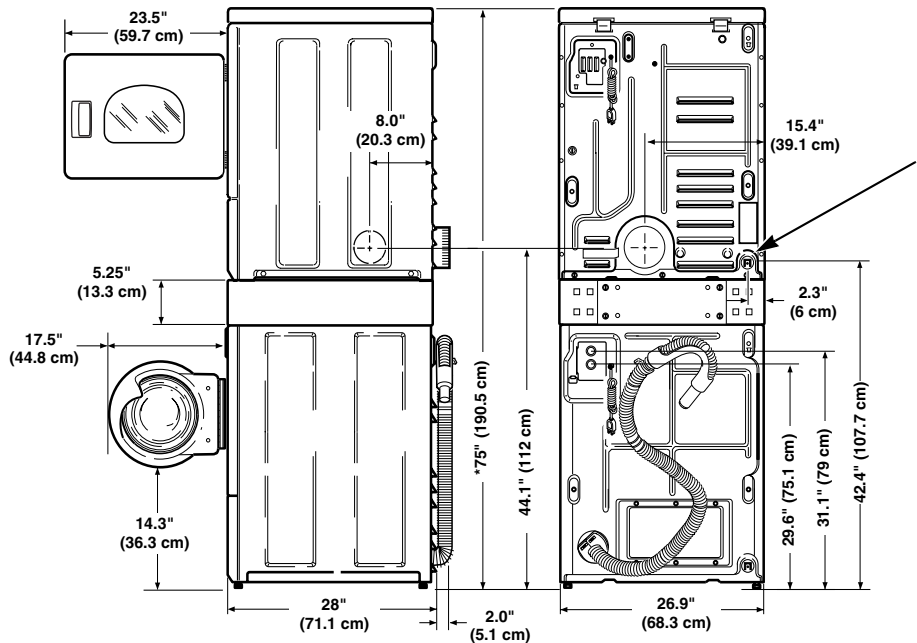
## Dimensions and Specifications



**ELECTRIC DRYERS**

SWD440N

\*With leveling legs turned into base.



**GAS DRYERS**

SWD441N

\*With leveling legs turned into base.

1 3/8" N.P.T. Gas Connection

## Installation

### Before You Start

#### Tools

For most installations, the basic tools you will need are:

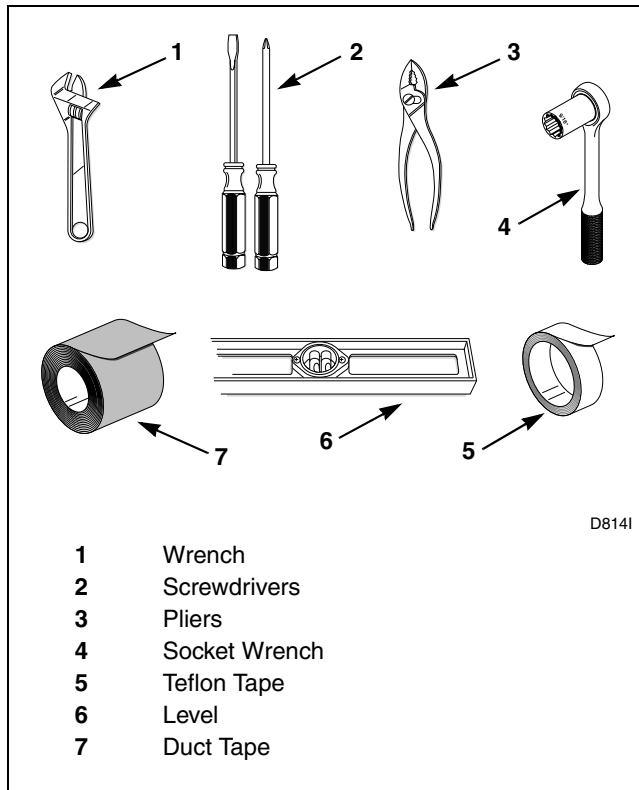


Figure 1

#### Water

Washer needs two standard 3/4 in. (19.1 mm) water supply faucets with a pressure between 20 and 120 pounds per square inch (138 to 827 kPa). For more detailed information, refer to section on **Water Supply Requirements**.

#### Gas

Dryer is equipped for Natural Gas with a 3/8 in. N.P.T. gas supply connection. For more detailed information, refer to section on **Gas Requirements**.

#### Location

Place the unit on a solid floor with an adequate air supply. For more detailed information, refer to section on **Location Requirements**.

#### Exhaust

Use rigid metal duct and exhaust the dryer to the outside by the shortest route possible.

**NOTE:** For more detailed information, refer to section on **Dryer Exhaust Requirements**.

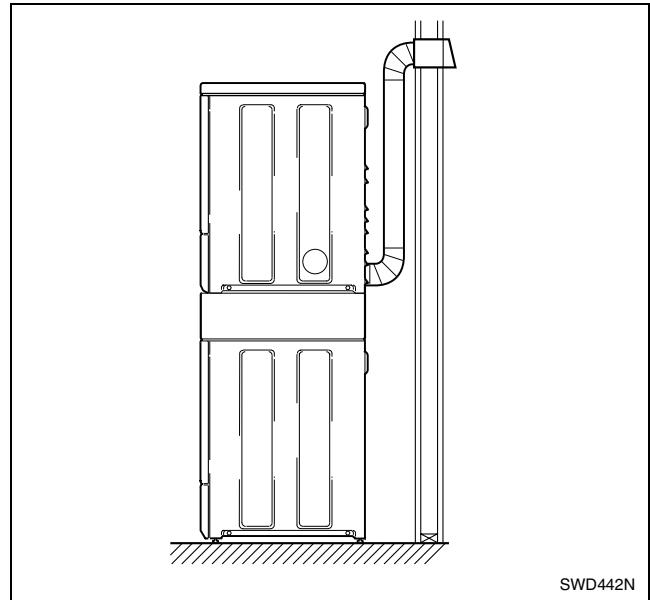


Figure 2

#### Electrical

- **WASHER**

Refer to serial plate for specific electrical requirements. For more detailed information, refer to section on **Washer Electrical Requirements**.

- **ELECTRIC DRYER**

Dryer needs a 3 or 4 wire 120/240 or 120/208 Volt, 60 Hertz, 30 Amperes, AC single phase electrical supply. For more detailed information, refer to section on **Electric Dryer Electrical Requirements**.

- **GAS DRYER**


Dryer needs a 120 Volt, 60 Hertz, 15 Amperes, polarized 3-slot effectively grounded receptacle. For more detailed information, refer to section on **Gas Dryer Electrical Requirements**.

**NOTE:** 208 Volt heating element is available (as optional equipment at extra cost).

## Installing the Unit

### Step 1: Position Unit Near Installation Area

Move unit so that it is within 4 ft. of the desired area of installation.

	<b>CAUTION</b>
<b>Washer and dryer are not designed to be operated as separated, side-by-side units.</b>	
<small>W187</small>	

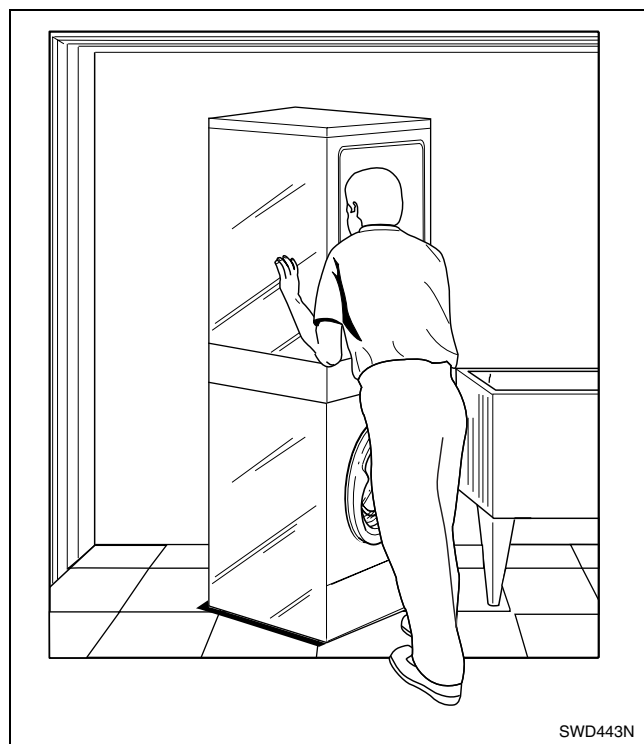


Figure 3

### Step 2: Connect Water Inlet Hoses

**NOTE:** Refer to section on *Water Supply Requirements* before connecting water inlet hoses.

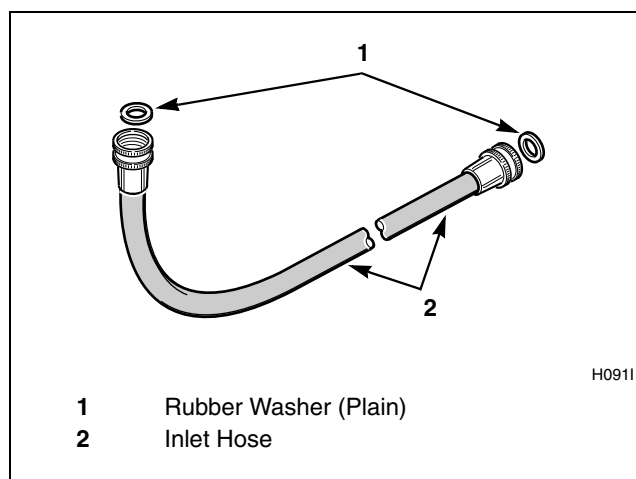
Remove the four plain rubber washers from accessories bag, and install them according to *Figure 4*.

Turn on the water supply faucets and flush the lines for approximately two minutes to remove any foreign materials that could clog the screens in the water mixing valve.

**NOTE:** When installing in newly constructed or renovated building, it is very important to flush the lines since build-up may have occurred during construction.

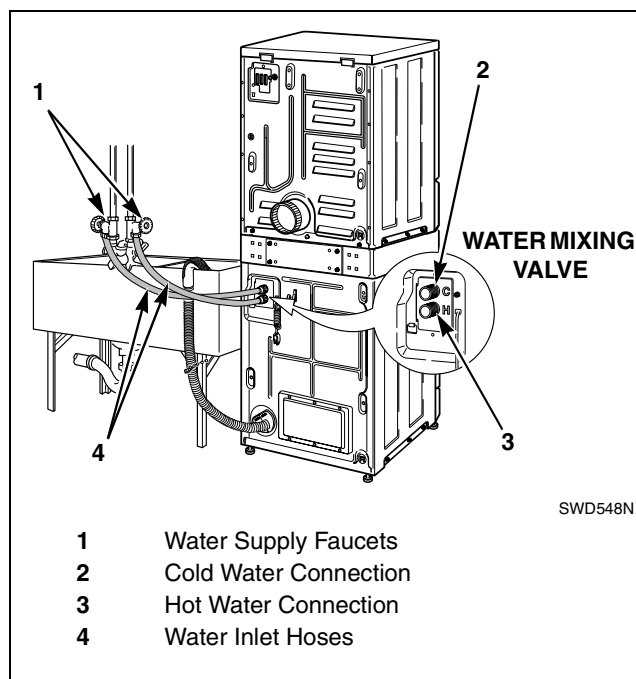
**IMPORTANT:** Thread hose couplings onto valve connections finger-tight, then approximately 1/4 turn with pliers. **DO NOT** cross thread or overtighten couplings.

Turn water on and check for leaks. If leaks are found, retighten the hose couplings. Continue tightening and rechecking until no leaks are found.



- 1 Rubber Washer (Plain)
- 2 Inlet Hose

Figure 4



- 1 Water Supply Faucets
- 2 Cold Water Connection
- 3 Hot Water Connection
- 4 Water Inlet Hoses

Figure 5

## Installation

### Step 3: Connect Drain Hose to Drain Receptacle

Remove the drain hose from its shipping position on the rear of the washer by unhooking the hose from the retainer clamp or by removing the shipping tape.

**IMPORTANT: Drain receptacle must be capable of handling a minimum of 1-1/4 in. (3.2 cm) outside diameter drain hose.**

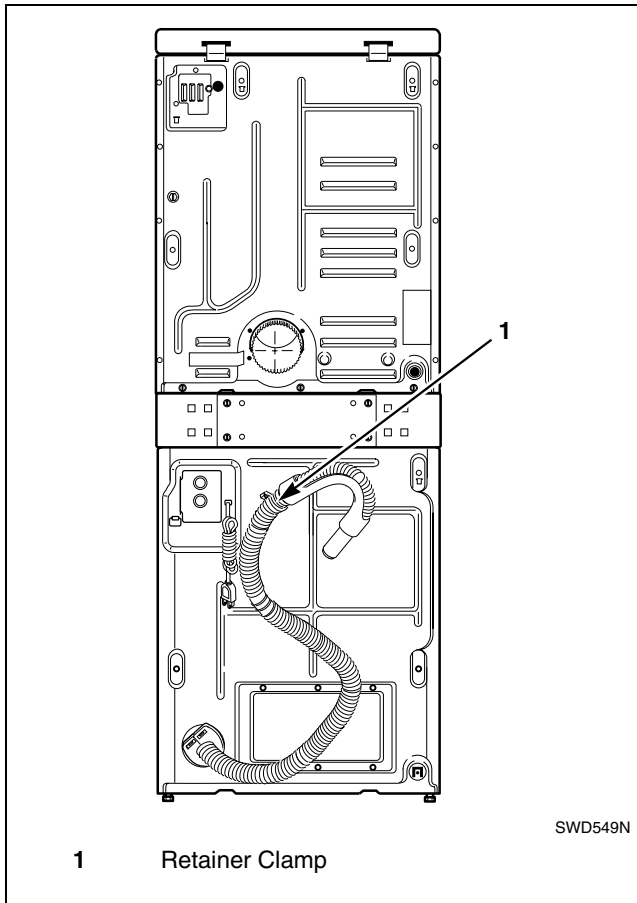


Figure 6

### Standpipe Installation

Place the drain hose into the standpipe.

Remove the beaded tie-down strap from accessories bag and place around standpipe and drain hose and tighten strap to hold hose to standpipe. This will prevent the drain hose from dislodging from drain receptacle during use.

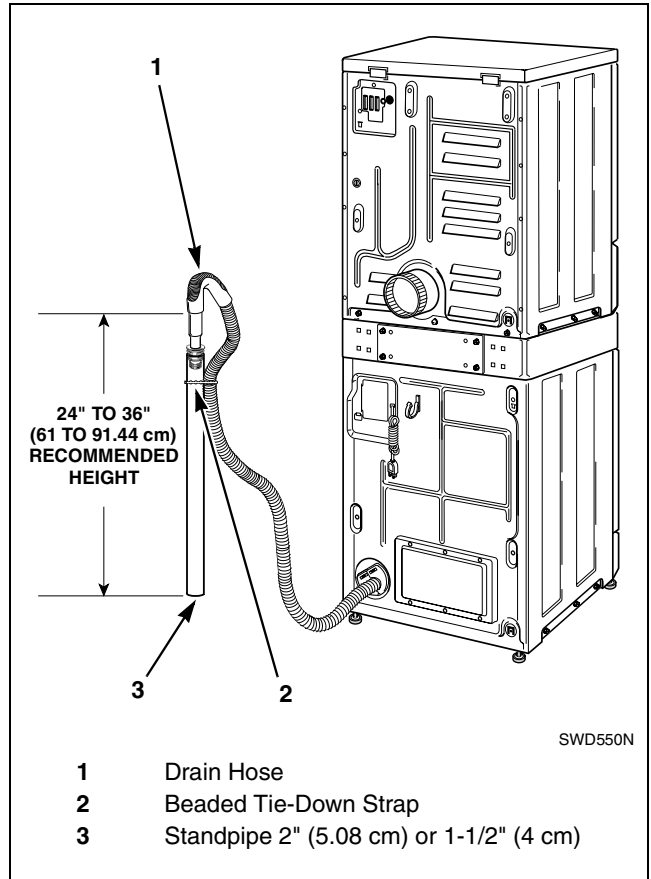


Figure 7

### Sink Installation

For this type of installation, use the beaded tie-down strap (supplied in accessories bag), or use a large wire tie (available from your local hardware store) and secure the drain hose to the cabinet top hinge (refer to *Figure 8*). This will prevent the drain hose from dislodging during use.

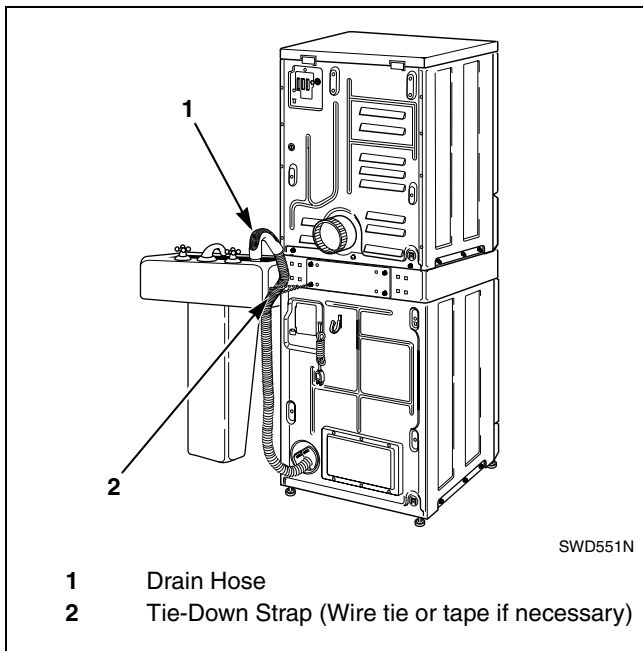


Figure 8

### Laundry Tub Installation

For this type of installation, the drain hose **MUST** be secured to the stationary tub to prevent hose from dislodging during use. Use the beaded tie-down strap (supplied in accessories bag) to secure hose.

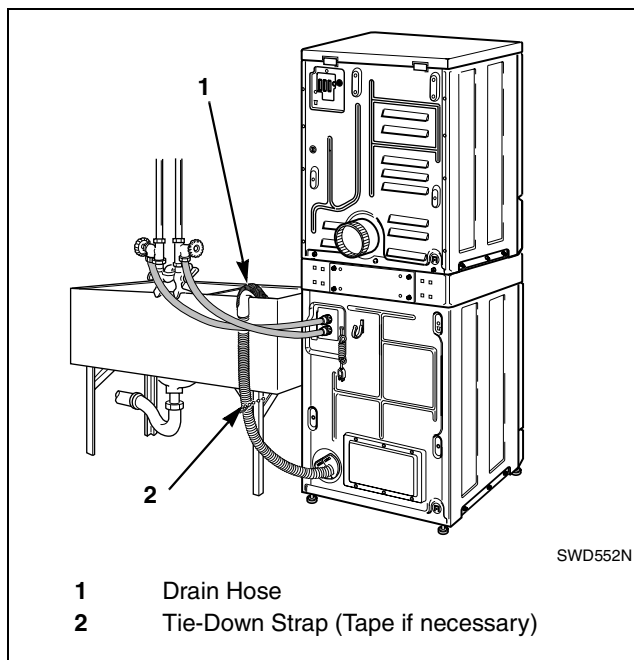


Figure 10

### In-the-Wall Installation

For installations of this type, the drain hose **MUST** be secured to one of the inlet hoses using the beaded tie-down strap from accessories bag.

**NOTE: End of drain hose must not be below 24 in.**

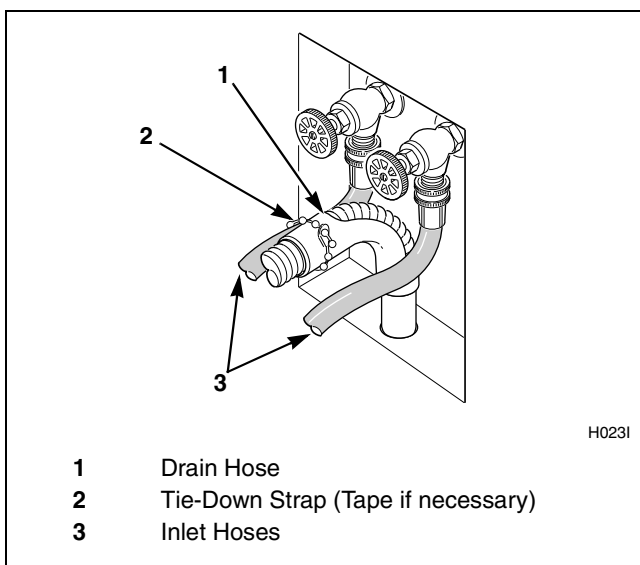


Figure 9

## Installation

### Step 4: (Gas Dryer Only) Connect Gas Supply Pipe

For further assistance, refer to section on *Gas Requirements*.

1. Make certain dryer is equipped for use with the type of gas in laundry room. Dryer is equipped at the factory for **Natural Gas** with a 3/8 in. N.P.T. gas connection.
2. Remove the shipping cap from the gas connection at the rear of the dryer. Make sure you do not damage the pipe threads when removing the cap.
3. Connect to gas supply pipe using a new flexible **stainless steel** connector.
4. Tighten all connections securely. Turn on gas and check all pipe connections (internal and external) for gas leaks with a non-corrosive leak detection fluid.
5. For L.P. (Liquefied Petroleum) gas connection, refer to section on *Gas Requirements*.

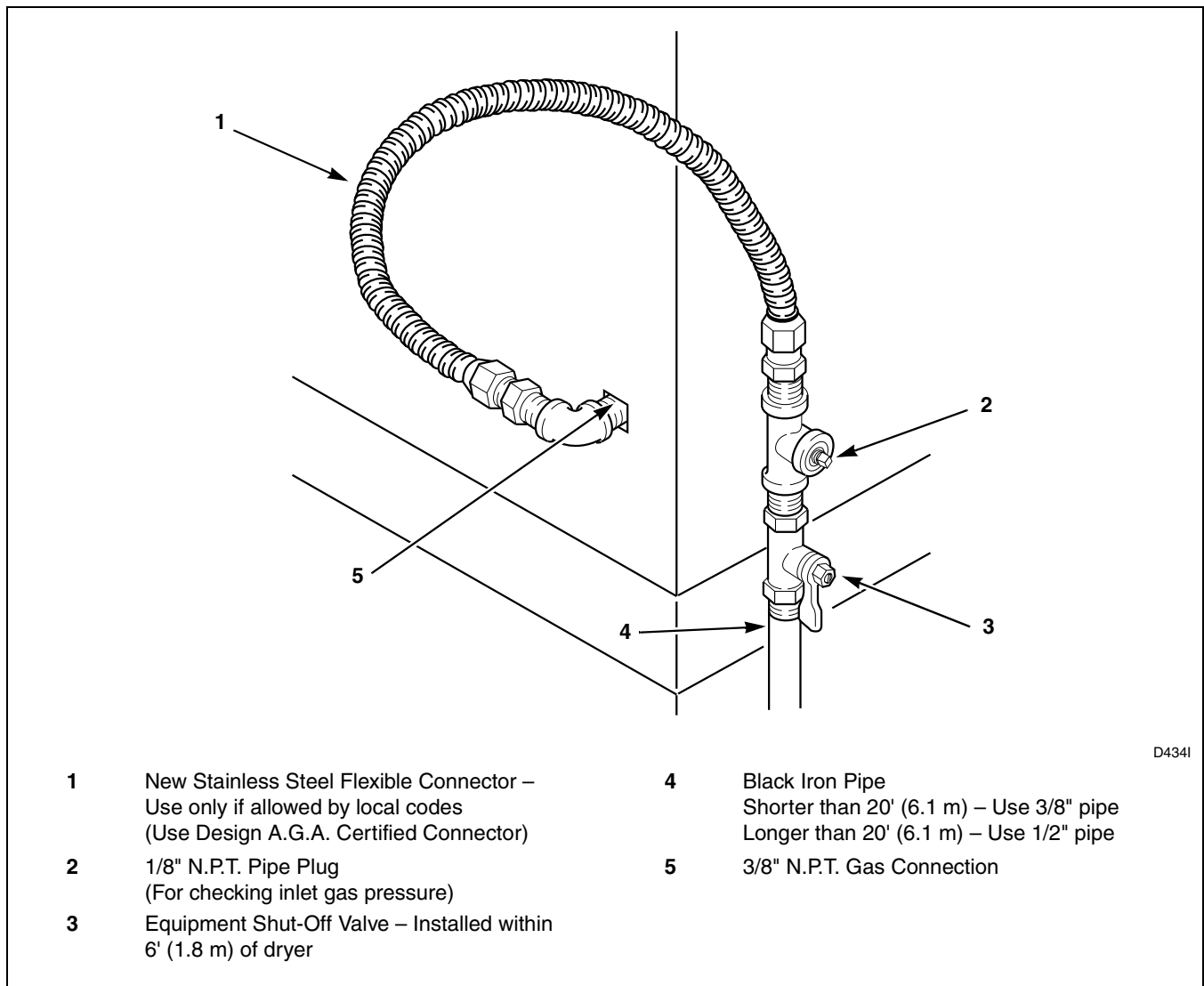


Figure 11

### Step 5: (Electric Dryer Only) Connect Electrical Plug

For further assistance, refer to section on *Electrical Requirements*.

**IMPORTANT:** Use only a new U.L. listed No. 10 (copper wire only) three conductor power supply cord kit rated 240 Volts (minimum) 30 Amperes and labeled as suitable for use in a clothes dryer.

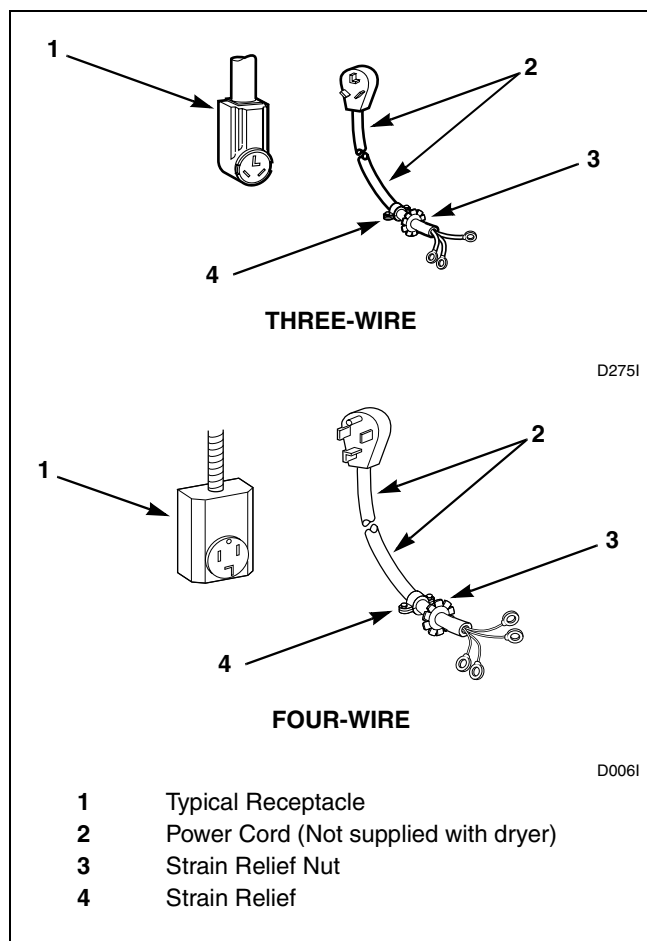


Figure 12

**NOTE:** For more detailed information on connecting three-wire or four-wire plugs, refer to section on *Electric Dryer Electrical Requirements*.

**NOTE:** Four-wire cord is required for mobile homes or where codes do not permit grounding through neutral.

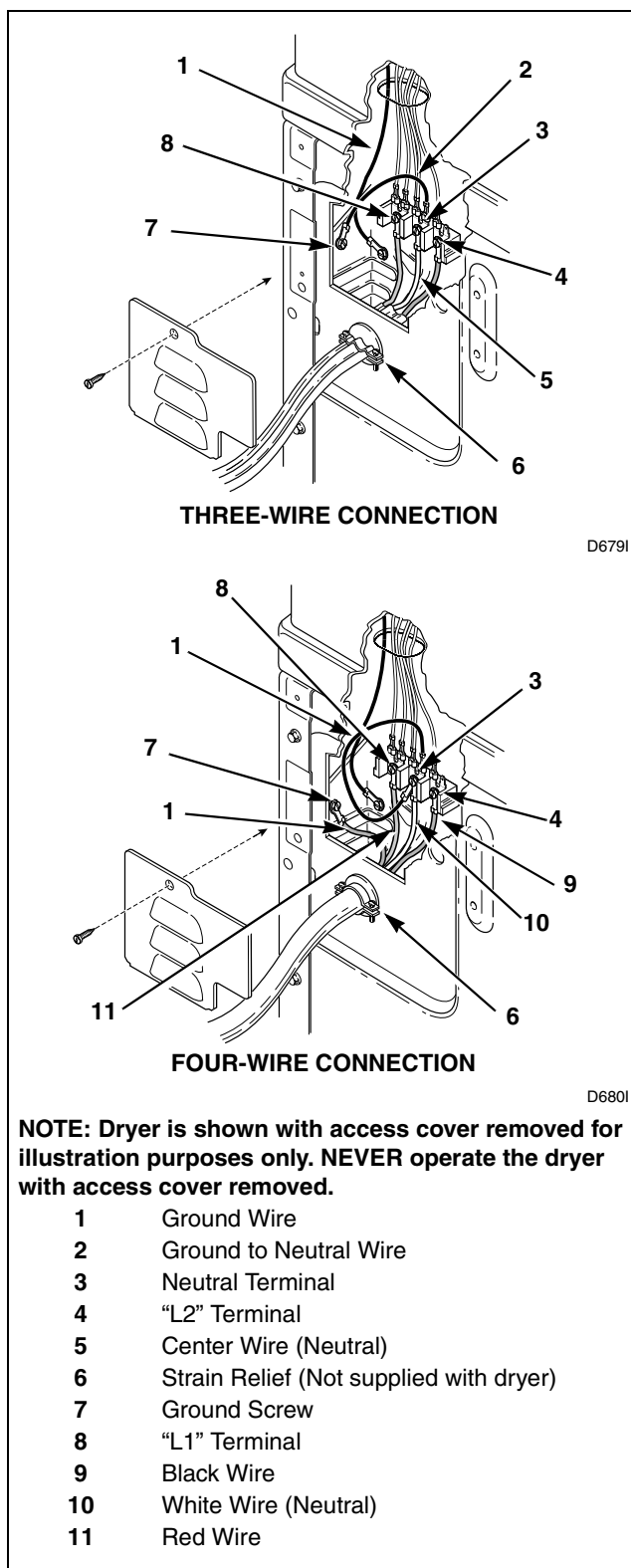



Figure 13

## Installation

### Step 6: Connect Dryer Exhaust System

For further assistance, refer to sections on *Location Requirements* and *Dryer Exhaust Requirements*.

	<b>WARNING</b>
<p><b>A clothes dryer produces combustible lint. To reduce the risk of fire and combustion gas accumulation the dryer <b>MUST</b> be exhausted to the outdoors.</b></p>	
<small>W116</small>	

- DO NOT use plastic or thin foil ducting.
- Locate unit so exhaust duct is as short as possible.
- Be certain old ducts are cleaned before installing your new dryer.
- Use 4 in. (10.2 cm) diameter rigid or flexible metal duct.
- The male end of each section of duct must point away from the dryer.
- Use as few elbows as possible.
- Use duct tape on all duct joints.
- Ductwork that runs through unheated areas must be insulated to help reduce condensation and lint build-up on pipe walls.
- **Failure to exhaust dryer properly will void warranty.**

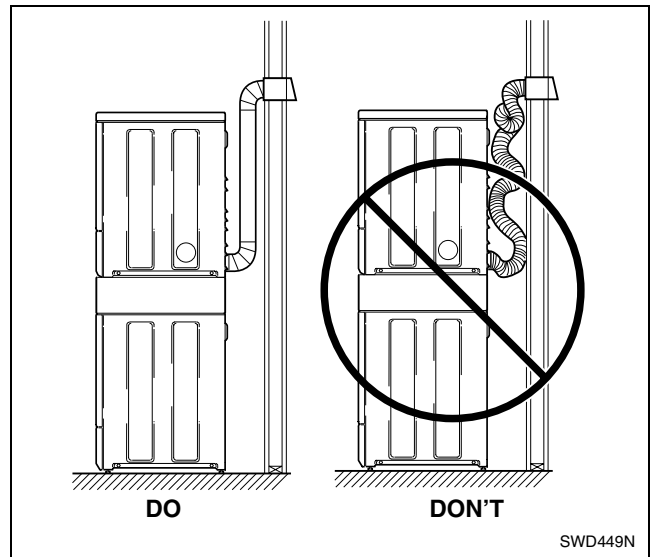



Figure 14

**NOTE: Venting materials are not supplied with the unit (obtain locally).**



**Step 7: Position and Level the Unit**

	<h2 style="margin: 0;">WARNING</h2>
<p><b>Units elevated above floor level must be anchored to that elevated surface, base or platform. The material used to elevate the unit should also be anchored to the floor to ensure that the unit will not walk or that the unit can not be physically pulled, tipped or slid from its installed position. Failure to do so may result in conditions which can produce serious injury, death and/or property damage.</b></p>	
<small>W307</small>	

Place unit in position on a clean, firm and reasonably level floor. Installing the unit on any type of carpeting is not recommended.

Loosen 7/8 in. locknut and adjust the front and rear leveling legs until the unit is level from side to side and front to back (using a level). Unit should not rock.

**NOTE: Level must rest on raised portion of top panel. Refer to *Figure 15*.**

**Tighten the locknuts securely against the unit base using the 7/8 in. wrench. If the locknuts are not tight, unit will move out of position during operation.**

**NOTE: DO NOT slide unit more than four feet across floor if the leveling legs have been extended, as legs and base could become damaged.**

**NOTE: Use of the dispenser drawer or washer or dryer doors as handles in the transportation of the unit may cause damage to the dispenser or doors.**

Remove rubber feet from accessories bag and place on all four leveling legs.

**NOTE: For further assistance, refer to section on *Location Requirements*.**

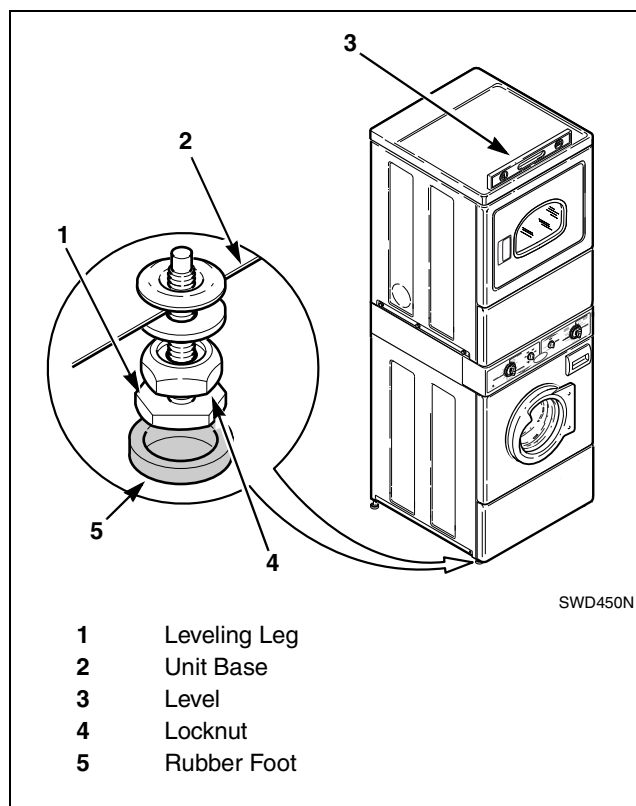


Figure 15

## Installation

### Step 8: Remove the Shock Sleeves and Shipping Brace (Washer Only)

Remove front access panel by removing the two screws.

Remove bolts and lockwashers from shipping brace with 9/16 in. wrench and remove brace. Remove shock sleeves by pulling on the yellow rope.

Remove label from front side of front access panel and place on backside of front access panel.

**NOTE: The shipping brace, bolts, lockwashers and shock sleeves should be saved and MUST be reinstalled whenever the unit is moved more than four feet. Do not lift or transport unit from front or without shipping materials installed.**

Store the shipping materials in the bag provided in the accessories bag. Save materials for use whenever the unit is moved.

**NOTE: The shipping materials MUST be reinstalled whenever the unit is moved. Refer to *Moving Unit to a New Location* section for proper instructions on reinstalling the shipping materials.**

Reinstall front access panel.

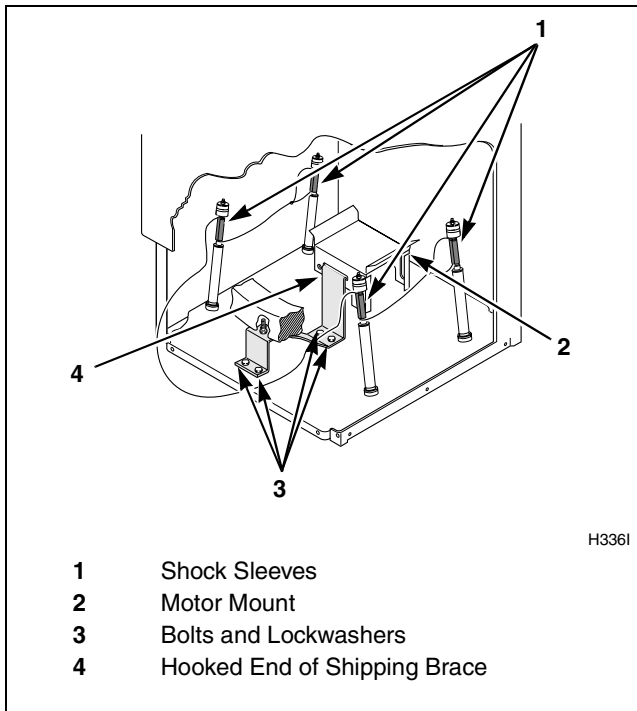


Figure 16

### Step 9: Wipe Out Inside of Washer Drum and Dryer Drum

Before using the washer and dryer for the first time, use an all-purpose cleaner, or a detergent and water solution, and a damp cloth to remove shipping dust from inside the drums.

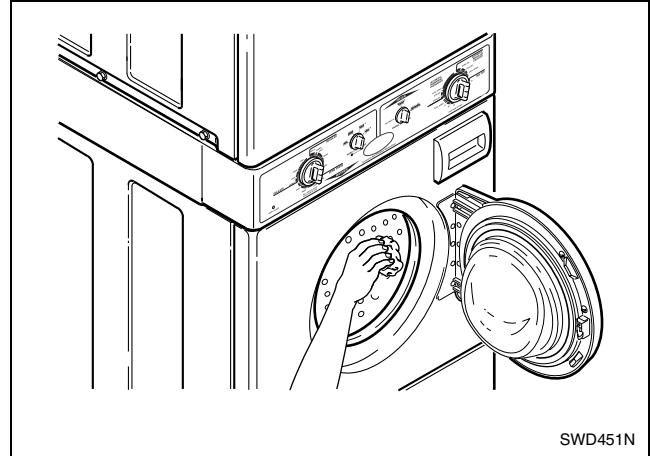


Figure 17

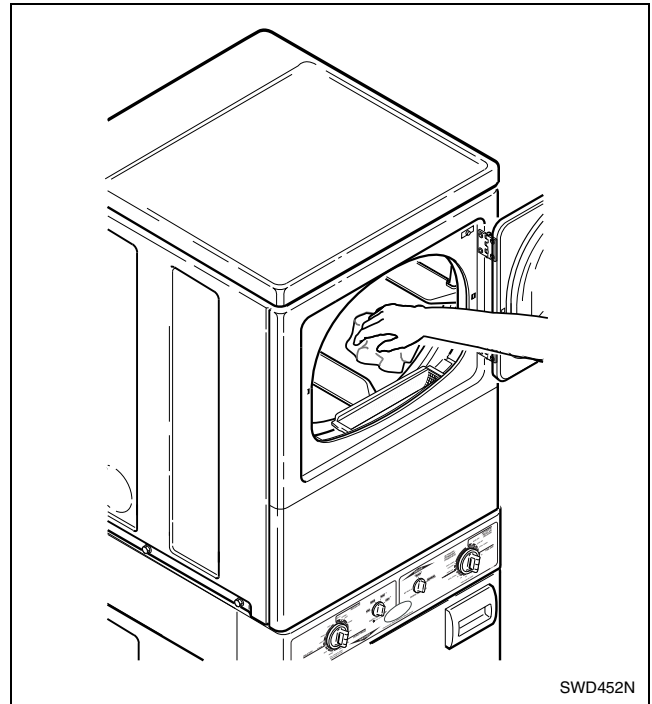


Figure 18

### Step 10: Plug In the Washer and Dryer

Refer to sections on *Electrical Requirements* and connect the washer and dryer to an electrical power source.

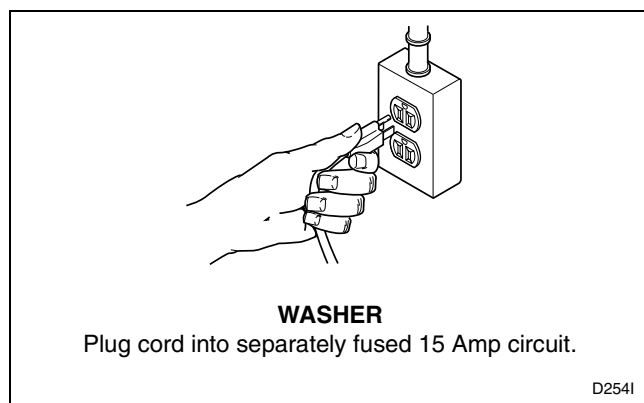


Figure 19

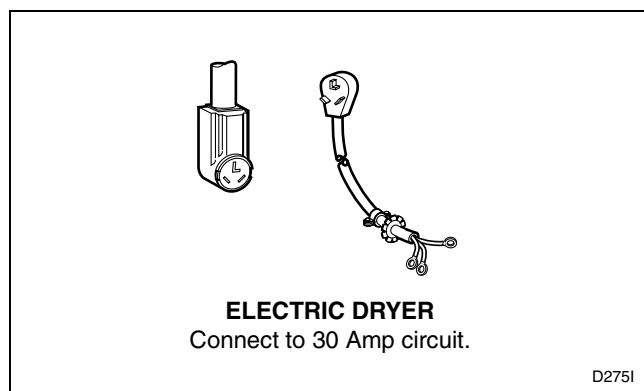


Figure 20

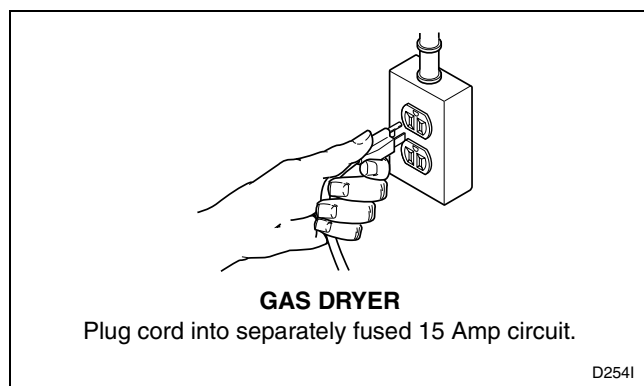


Figure 21

### Step 11: Check Installation

Refer to *Installer Checklist* on the back cover and make sure that unit is installed correctly.

#### Moving Unit to a New Location

To prevent damage while moving the unit, the shipping materials **MUST BE** reinstalled.

#### Reinstallation of Shipping Materials

Remove front access panel by removing two screws.

Place the shock sleeves on all four shock absorbers. Refer to *Figure 22*.

Insert hooked end of shipping brace into the open slot of the motor mount. Attach with bolts and lockwashers. Refer to *Figure 22*.

Reinstall front access panel.

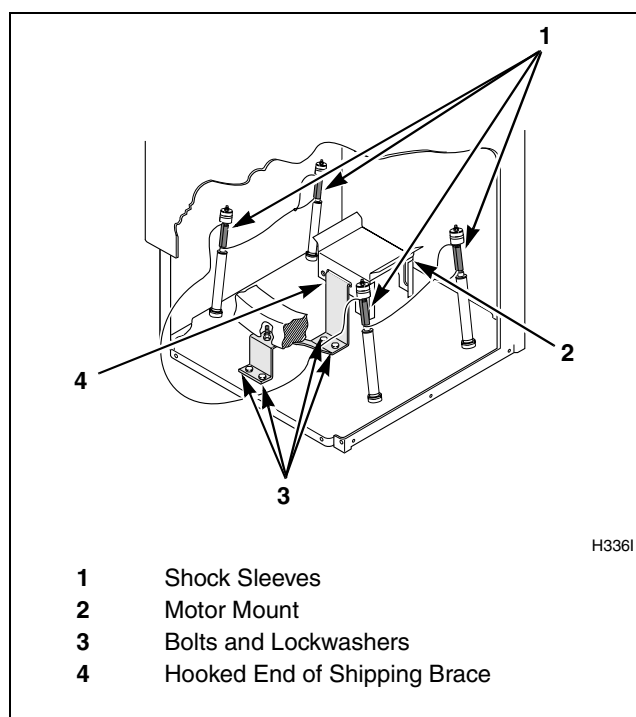


Figure 22

Refer to step 8 for proper procedures whenever the unit is moved.

## Installation

### Heat Source Check

#### Electric Dryers

Close the loading door and start the dryer in a heat setting (refer to the Operating Instructions supplied with the dryer). After the dryer has operated for three minutes, the exhaust air or exhaust pipe should be warm.

#### Gas Dryers

To view the burner flame, remove the lower front panel of the dryer.


Close the loading door, start the dryer in a heat setting (refer to the Operating Instructions supplied with the dryer); the dryer will start, the igniter will glow red and the main burner will ignite.

**IMPORTANT: If all air is not purged out of gas line, gas igniter may go off before gas is ignited. If this happens, after approximately two minutes igniter will again attempt gas ignition.**

After the dryer has operated for approximately five minutes, observe burner flame through lower front panel. Adjust the air shutter to obtain a soft, uniform

blue flame. (A lazy, yellow-tipped flame indicates lack of air. A harsh, roaring, very blue flame indicates too much air.) Adjust the air shutter as follows:

- a. Loosen the air shutter lockscrew.
- b. Turn the air shutter to the left to get a luminous yellow-tipped flame, then turn it back slowly to the right to obtain a steady, soft blue flame.
- c. After the air shutter is adjusted for proper flame, tighten the air shutter lockscrew securely.
- d. Reinstall the lower front panel.

	<b>WARNING</b>
<b>For personal safety, lower front panel of dryer must be in place during normal operation.</b>	
<small>W288</small>	

After the dryer has operated for approximately three minutes, exhaust air or exhaust pipe should be warm.

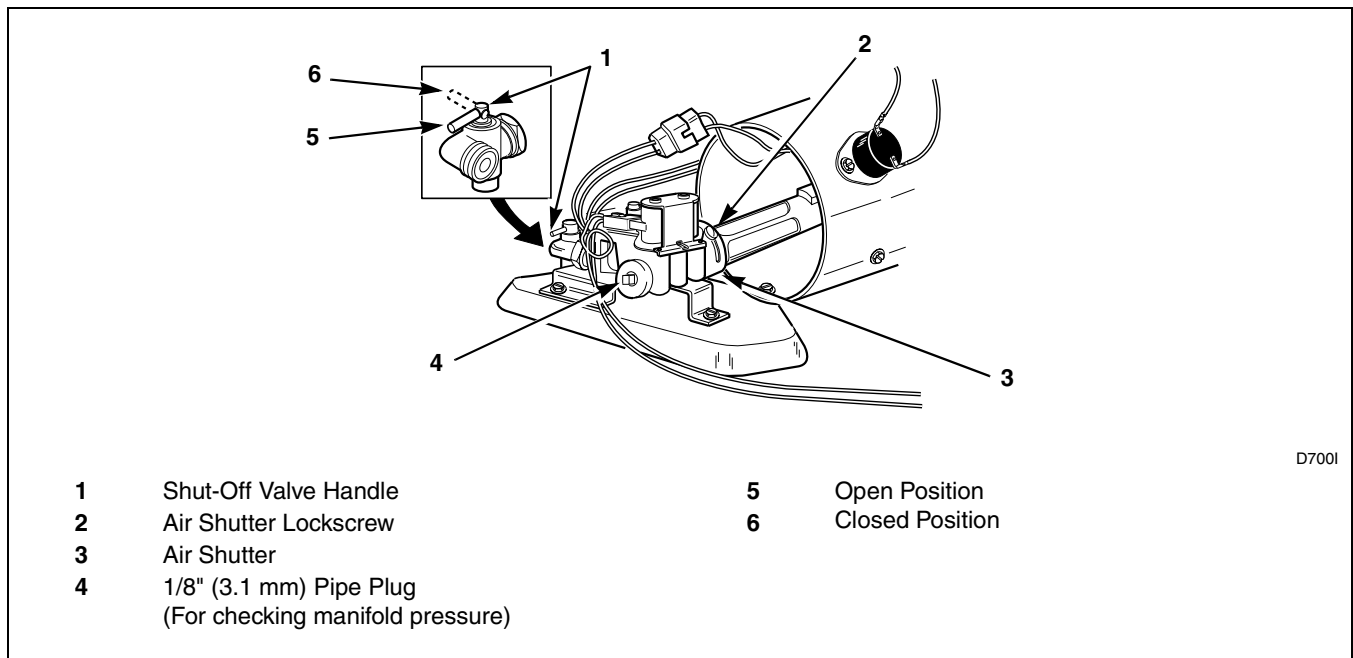



Figure 23

## Electrical Requirements

### Washer

(120 Volt, 60 Hertz with 3-Prong Grounding Plug)

**NOTE:** The wiring diagram is located behind the control panel, inside the control cabinet.

	<b>WARNING</b>
<p>To reduce the risk of fire, electric shock, serious injury or death, all wiring and grounding <b>MUST</b> conform with the latest edition of the National Electrical Code, ANSI/NFPA No. 70, and such local regulations as might apply. It is the customer's responsibility to have the wiring and fuses checked by a qualified electrician to make sure the laundry room has adequate electrical power to operate the washer.</p>	
W227	

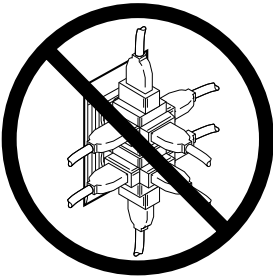

<p><b>DO NOT OVERLOAD CIRCUITS</b></p> <p><b>DO NOT USE AN ADAPTER</b></p> <p><b>DO NOT USE AN EXTENSION CORD</b></p>	
D0091	

Figure 24


The washer is designed to be operated on a separate branch, polarized, three-wire, effectively grounded, 120 Volt, 60 Hertz, AC (alternating current) circuit protected by a **15 Ampere fuse**, equivalent fusetrone or circuit breaker.

The three-prong grounding plug on the power cord should be plugged directly into a polarized three-slot effectively grounded receptacle rated 110/120 Volts AC (alternating current) 15 Amps. Refer to *Figure 25* to determine correct polarity of the wall receptable.

	<b>WARNING</b>
<p>To reduce the risk of an electric shock or fire, <b>DO NOT</b> use an extension cord or an adapter to connect the washer to the electric power source.</p>	
W082	


### Grounding Instructions

The washer must be grounded. In the event of malfunction or breakdown, grounding will reduce the risk of electric shock by providing a path of least resistance for electric current. The washer is equipped with a cord having an equipment-grounding conductor and a 3-prong grounding plug. The plug must be plugged into an appropriate outlet that is properly installed and grounded in accordance with all local codes and ordinances.

	<b>WARNING</b>
<p><b>Improper connection of the equipment-grounding conductor can result in a risk of electric shock. Check with a qualified electrician or service person if you are in doubt as to whether the washer is properly grounded.</b></p>	
W216	

**DO NOT** modify the plug provided with the washer – if it will not fit the outlet, have a proper outlet installed by a qualified electrician.

**NOTE:** Have a qualified electrician check the polarity of the wall receptacle. If a voltage reading is measured other than that illustrated, the qualified electrician should correct the problem.

	<b>WARNING</b>
<p><b>This unit is equipped with a three-prong (grounding) plug for your protection against shock hazard and should be plugged directly into a properly grounded three-prong receptacle. Do not cut or remove the grounding prong from this plug.</b></p>	
W213	

**Installation**

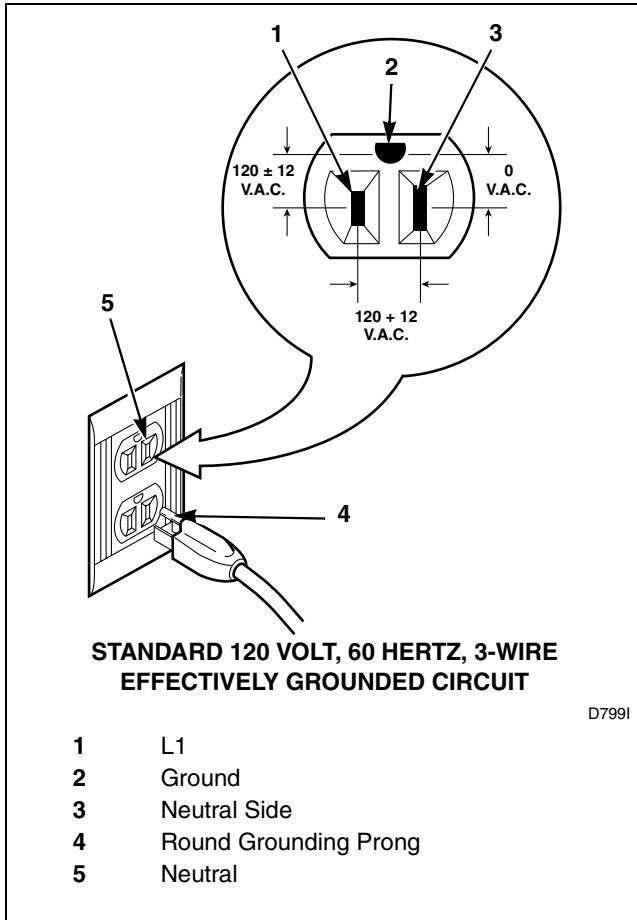


Figure 25

**DO NOT OPERATE OTHER APPLIANCES ON THE SAME CIRCUIT. DO NOT OVERLOAD CIRCUITS!**

Do not operate both a washer and gas dryer on the same circuit. Use separately fused 15 Amp circuits.

	<b>WARNING</b>
<p><b>To reduce the risk of electric shock or fire, DO NOT use an extension cord or an adapter to connect the washer to the electrical power source.</b></p>	
W031	

**Electric Dryer**

**(120/240 Volt, 60 Hertz, 3-Wire Installation)  
(120/208 Volt, 60 Hertz, 3-Wire Installation)\***

\*Alternative Heating Element Required

**NOTE: The wiring diagram is located behind the control panel, inside the control cabinet.**

	<b>WARNING</b>
<p><b>To reduce the risk of fire, electric shock or personal injury, all wiring and grounding MUST conform with the latest edition of the National Electrical Code ANSI/NFPA 70 or the Canadian Electrical Code, CSA C22.1, and such local regulations as might apply. It is the customer's responsibility to have the wiring and fuses checked by a qualified electrician to make sure the laundry room has adequate electrical power to operate the dryer.</b></p>	
W035	

### Grounding and Wiring Instructions

- The dryer must be connected to a grounded metal, permanent wiring system; or an equipment-grounding conductor must be run with the circuit conductors and connected to the equipment-grounding terminal or lead on the dryer.
- The dryer has its own terminal block that must be connected to a separate branch, 60 Hertz, single phase circuit, AC (alternating current) circuit, **fused at 30 Amperes** (the circuit must be fused on both sides of the line). **ELECTRICAL SERVICE FOR THE DRYER SHOULD BE OF MAXIMUM RATED VOLTAGE LISTED ON THE NAMEPLATE. DO NOT CONNECT DRYER TO 110, 115, OR 120 VOLT CIRCUIT.** Heating elements are available for field installation in dryers which are to be connected to electrical service of different voltage than that listed on nameplate, such as 208 Volt.
- If branch circuit to dryer is 15 ft. (4.50 m) or less in length, use U.L. (Underwriters Laboratories) listed No. 10 A.W.G. wire (copper wire only), or as required by local codes. If over 15 ft. (4.50 m), use U.L. listed No. 8 A.W.G. wire (copper wire only), or as required by local codes. Allow sufficient slack in wiring so dryer can be moved from its normal location when necessary.
- The power cord (pigtail) connection between wall receptacle and dryer terminal block **IS NOT supplied with dryer.** Type of pigtail and gauge of wire must conform to local codes and with instructions mentioned on the following pages.

The method of wiring the dryer is optional and subject to local code requirements. Refer to *Figure 26*.

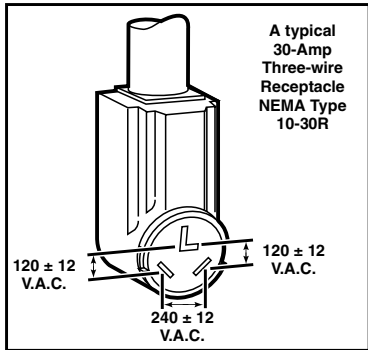
# Electrical Plug Connection

## Three-Wire Plug

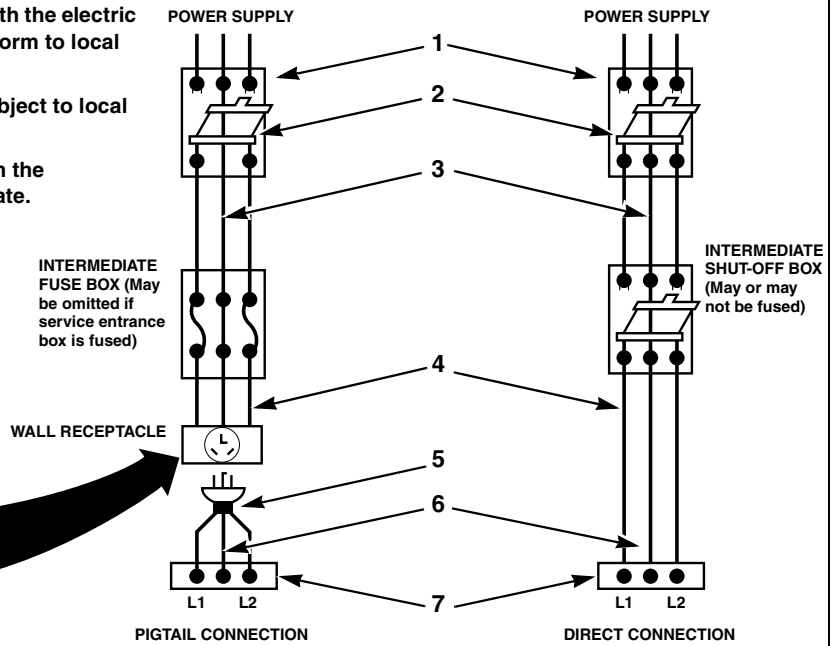
**NOTE:** The power cord (pigtail) is NOT supplied with the electric dryer. Type of pigtail and gauge of wire must conform to local codes and instructions.

The method of wiring the dryer is optional and subject to local code requirements.

**NOTE:** Connect the dryer to the power supply with the **MAXIMUM RATED VOLTAGE** listed on the nameplate.



**NOTE:** Use **COPPER WIRE** only.  
Shorter than 15' (4.5 m) use 10 A.W.G.  
Longer than 15' (4.5 m) use 8 A.W.G.



- |   |   |
|---|---|
| <p><b>1</b> 3-Wire Grounded Neutral 120/240 Volt, 60 Hertz AC 1 Phase Service Entrance Switch Box (See NOTE above)</p> <p><b>2</b> 30 Ampere Fuses or Circuit Breaker</p> <p><b>3</b> <b>Neutral Wire</b></p> | <p><b>4</b> Metallic or Non-Metallic Sheathed Cable (<b>Copper wire only</b>)</p> <p><b>5</b> Pigtail to Dryer (See NOTE above)</p> <p><b>6</b> Neutral</p> <p><b>7</b> Terminal Block in Dryer</p> |
|---|---|

D816I

Figure 26

1. Remove access cover from rear of dryer.

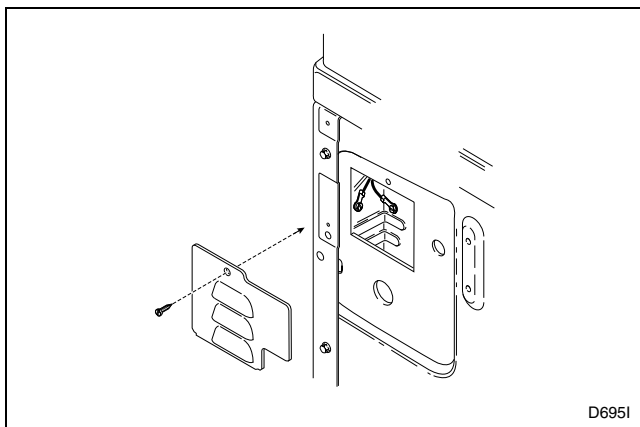


Figure 27

2. Use a strain relief and insert end of power cord through power supply hole.

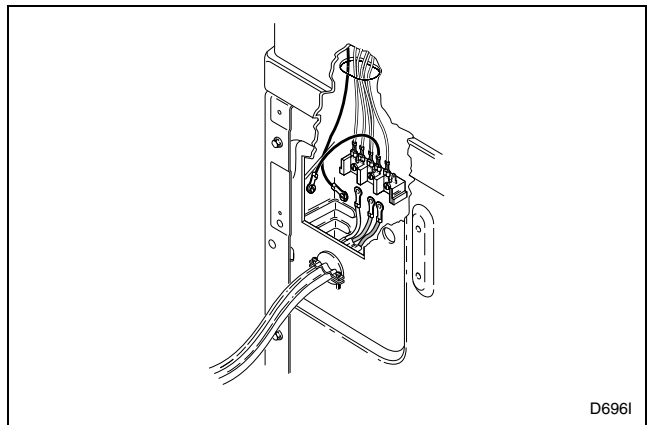


Figure 28



- Use the three screws from the envelope located in the cylinder to attach the power cord wires to the terminal block.

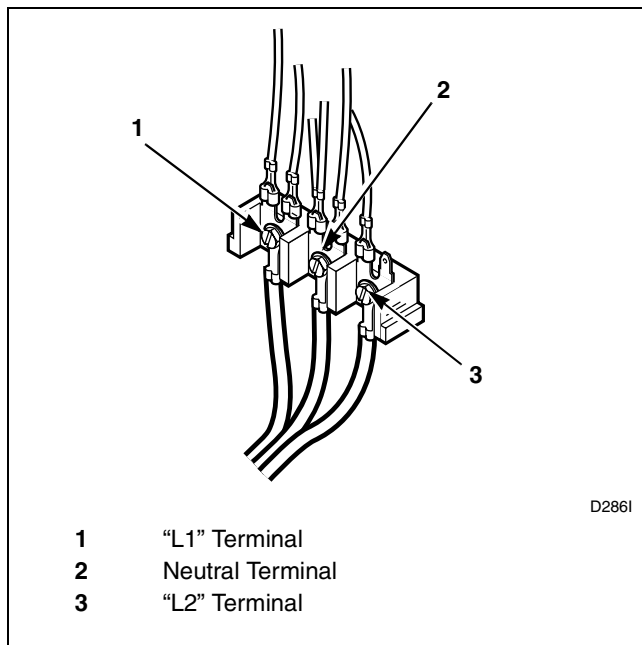


Figure 29

- Tighten all screws and reinstall access cover removed in step 1.

**IMPORTANT: Failure to tighten these screws firmly may result in wire failure at the terminal block.**

- Secure the strain relief to the power cord, or wires, where they enter the dryer cabinet.
- Check the continuity of the ground connection before plugging the cord into an outlet. Use an acceptable indicating device connected to the center grounding pin of the plug and the green screw on the back of cabinet.
- Reinstall access cover and screw.

### Four-Wire Plug

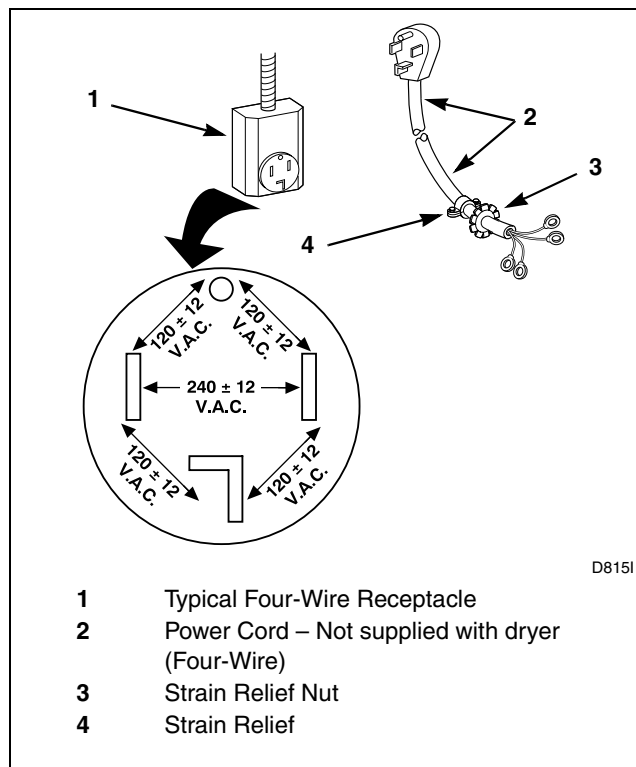


Figure 30

- Remove access cover from rear of dryer.

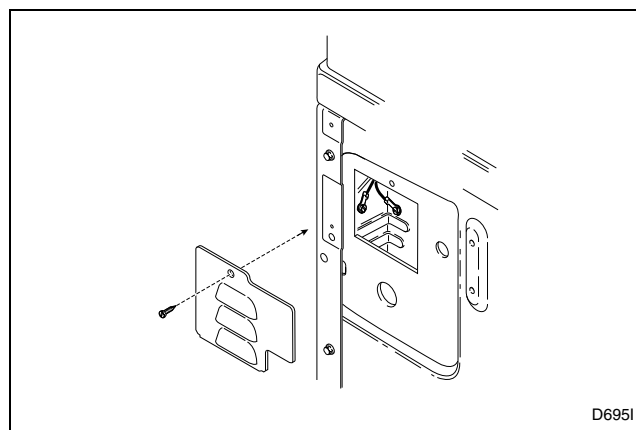


Figure 31

## Installation

- Remove the three screws holding the three wires to the terminal block terminals. **Save these screws.** Loosen the strain relief screw and pull the cord or wires out through the rear of the dryer.

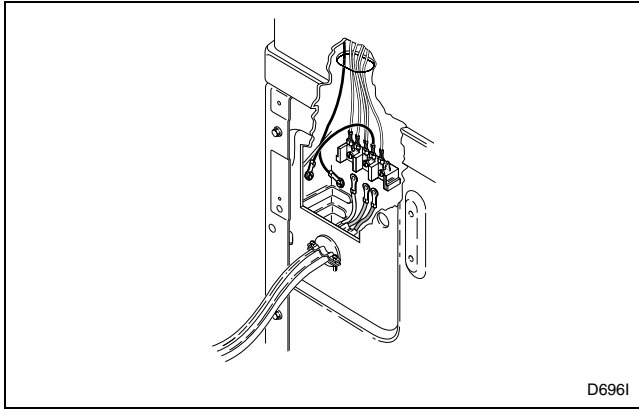


Figure 32

- Remove ground screw and save for use in step 5. Remove wire and use in step 6.

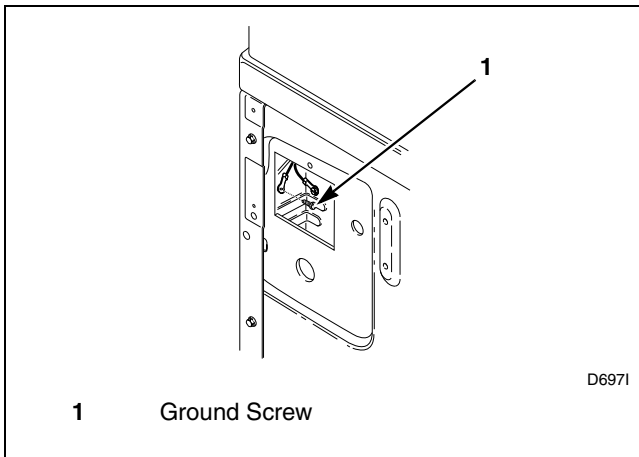


Figure 33

- Use a strain relief and insert end of power cord through power supply hole.

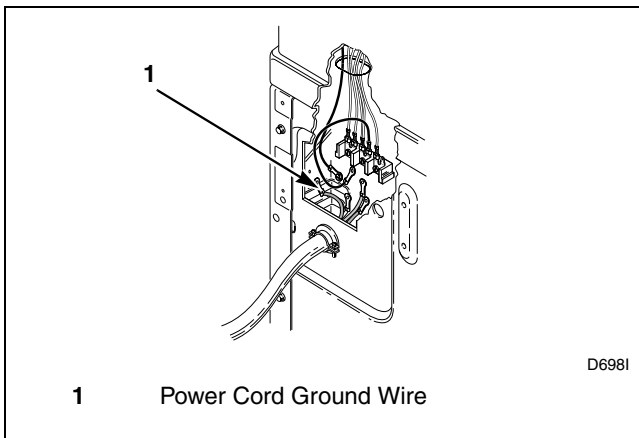


Figure 34

- Attach power cord ground (green) wire to rear bulkhead using ground screw removed in step 3.
- Use the three screws from the envelope located in the cylinder to attach the remaining power cord wires to the terminal block as follows:
  - Red wire to “L1” terminal.
  - Black wire to “L2” terminal.
  - White wire to Neutral terminal.

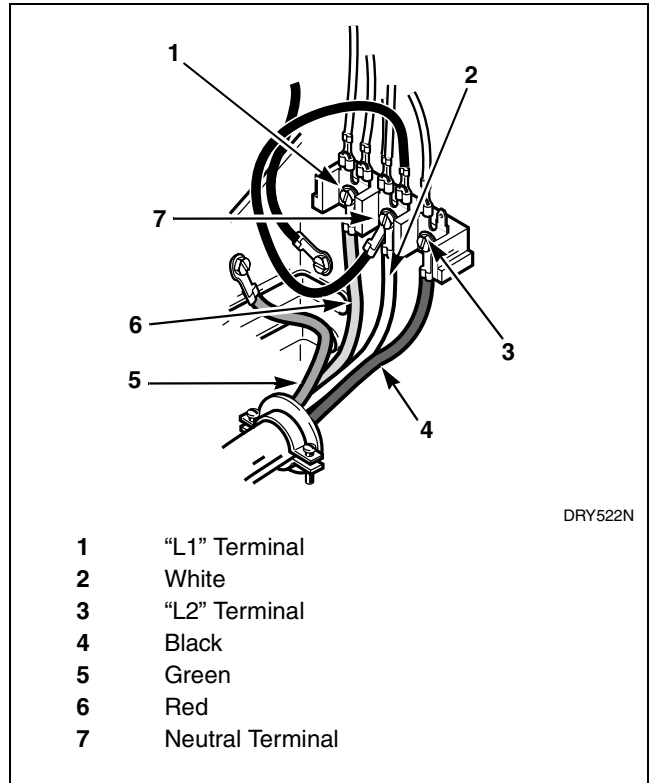


Figure 35

**NOTE:** When installing the white wire, loop the free eyelet end of the ground wire (removed in step 3) and attach along with the white wire to the neutral (center) terminal on the terminal block.

- Tighten all screws firmly.

**IMPORTANT:** Failure to tighten these screws firmly may result in wire failure at the terminal block.


- Check the continuity of the ground connection before plugging the cord into the outlet. Use an acceptable indicating device connected to the center grounding pin of the plug and the green screw on the back of cabinet.
- Reinstall access cover and screw.

## Electrical Requirements


### Gas Dryer

(120 Volt, 60 Hertz, with 3-Prong Grounding Plug)

**NOTE:** The wiring diagram is located behind the control panel, inside the control cabinet.


	<b>WARNING</b>
<p>To reduce the risk of fire, electric shock or personal injury, all wiring and grounding <b>MUST</b> conform with the latest edition of the National Electrical Code ANSI/NFPA 70 or the Canadian Electrical Code, CSA C22.1, and such local regulations as might apply. It is the customer's responsibility to have the wiring and fuses checked by a qualified electrician to make sure the laundry room has adequate electrical power to operate the dryer.</p>	
W035	

- The dryer is designed to be operated on a separate branch, polarized, three-wire, effectively grounded, 120 Volt, 60 Hertz, AC (alternating current) circuit protected by a **15 Ampere fuse**, equivalent fusetron or circuit breaker.
- The three-prong grounding plug on the power cord should be plugged directly into a polarized three-slot effectively grounded receptacle rated 120 Volts AC (alternating current) 15 Amps. Refer to *Figure 37* to determine correct polarity of the wall receptacle.

	<b>WARNING</b>
<p>This dryer is equipped with a three-prong (grounding) plug for your protection against shock hazard and should be plugged directly into a properly grounded three-prong receptacle. Do not cut or remove the grounding prong from this plug.</p>	
W036	

**NOTE:** A qualified electrician should check the polarity of the wall receptacles. If a voltage reading is measured other than that illustrated, the qualified electrician should correct the problem.

- DO NOT OPERATE OTHER APPLIANCES ON THE SAME CIRCUIT WHEN THIS APPLIANCE IS OPERATING. DO NOT OVERLOAD CIRCUITS!
- DO NOT operate both a washer and gas dryer on the same circuit. Use separately fused 15 Amp circuits.

	<b>WARNING</b>
<p>To reduce the risk of an electric shock or fire, <b>DO NOT</b> use an extension cord or an adapter to connect the dryer to the electrical power source.</p>	
W037	

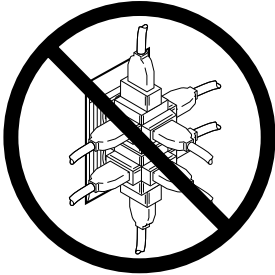
<p><b>DO NOT OVERLOAD CIRCUITS</b></p> <p><b>DO NOT USE AN ADAPTER</b></p> <p><b>DO NOT USE AN EXTENSION CORD</b></p>	
D0091	

Figure 36

## Installation

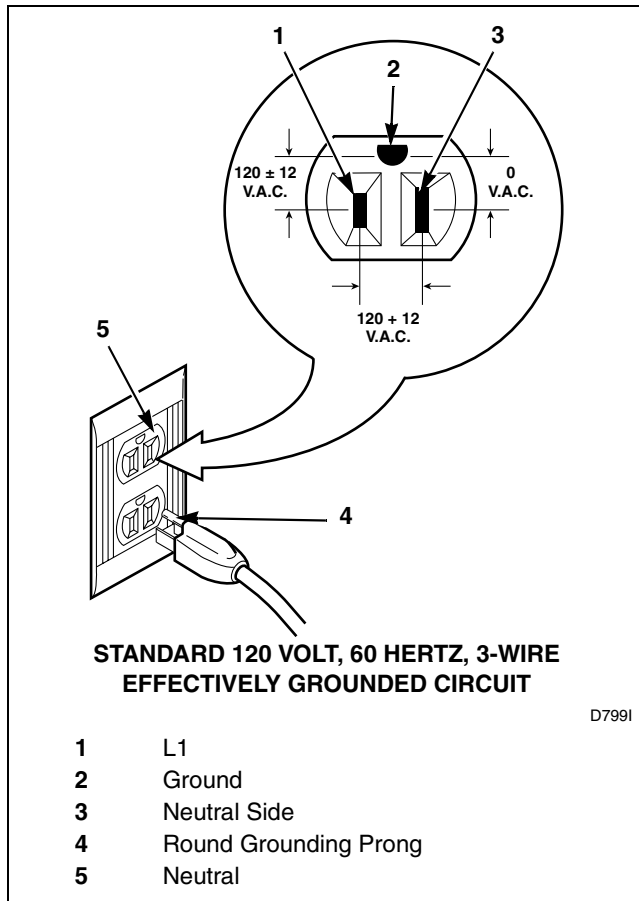


Figure 37

## Grounding Instructions

- The dryer must be grounded. In the event of malfunction or breakdown, grounding will reduce the risk of electric shock by providing a path of least resistance for electric current. The dryer is equipped with a cord having an equipment-grounding conductor and a three prong grounding plug. The plug must be plugged into an appropriate outlet that is properly installed and grounded in accordance with all local codes and ordinances.

	<b>WARNING</b>
<b>Improper connection of the equipment-grounding conductor can result in a risk of electric shock. Check with a qualified electrician or service person if you are in doubt as to whether the dryer is properly grounded.</b>	
W038	

- **DO NOT** modify the plug provided with the dryer unit – if it will not fit the outlet, have a proper outlet installed by a qualified electrician.
- If the laundry room's electrical supply does not meet the above specifications and/or if you are not sure the laundry room has an effective ground, have a qualified electrician or your local electrical utility company check it and correct any problems.

## Gas Requirements

### (Gas Dryers)

**NOTE:** The gas service to a gas dryer must conform with the local codes and ordinances or, in the absence of local codes and ordinances, with the latest edition of the National Fuel Gas Code ANSI Z223.1/NFPA 54 or the CAN/CGA-B149, National Gas Installation Code.

**Natural Gas**, 1,000 Btu/ft<sup>3</sup> (37.3 MJ/m<sup>3</sup>), service must be supplied at 6.5 ± 1.5 inch water column pressure.

For proper operation at altitudes above 2,000 ft. (610 m) the natural gas valve spud orifice size must be reduced to ensure complete combustion. Refer to *Table 1*.


**L.P. (Liquefied Petroleum) Gas**, 2,500 Btu/ft<sup>3</sup> (93.1 MJ/m<sup>3</sup>), service must be supplied at 10 ± 1.5 in. water column pressure.

**NOTE:** DO NOT connect the dryer to L.P. Gas Service without converting the gas valve. A 458P3 L.P. Gas Conversion Kit must be installed by the Manufacturer’s Authorized Dealers, Distributors, or local service personnel.

**NOTE:** The dryer and its individual shut-off valve must be disconnected from the gas supply piping system during any pressure testing of that system at test pressures in excess of 1/2 psi (3.45 kPa).

The dryer must be isolated from the gas supply piping system by closing its individual manual shut-off valve during any pressure testing of the gas supply piping system at test pressures equal to or less than 1/2 psi (3.45 kPa).

**NOTE:** When connecting to a gas line, an equipment shutoff valve must be installed within 6 ft. (1.8 m) of the dryer. An 1/8 in. N.P.T. pipe plug must be installed as shown. Refer to *Figure 38*.

	<b>WARNING</b>
<p>To reduce the risk of gas leaks, fire or explosion:</p> <ul style="list-style-type: none"> <li>• The dryer must be connected to the type of gas as shown on nameplate located in the door recess.</li> <li>• Use a new flexible stainless steel connector.</li> <li>• Use pipe joint compound insoluble in L.P. (Liquefied Petroleum) Gas, or Teflon tape, on all pipe threads.</li> <li>• Purge air and sediment from gas supply line before connecting it to the dryer. Before tightening the connection, purge remaining air from gas line to dryer until odor of gas is detected. This step is required to prevent gas valve contamination.</li> <li>• Do not use an open flame to check for gas leaks. Use a non-corrosive leak detection fluid.</li> <li>• Any disassembly requiring the use of tools must be performed by a suitably qualified service person.</li> </ul>	
W316	

Natural Gas Altitude Adjustments					
Altitude		Orifice Size			Part Number
feet	m	#	inches	mm	
2,000	610	41	0.0960	2.44	D503776
3,000	915	42	0.0935	2.37	D503777
5,500	1,680	43	0.0890	2.26	D503778
7,000	2,135	44	0.0860	2.18	58719
9,000	2,745	45	0.0820	2.08	D503779
10,500	3,200	46	0.0810	2.06	D503780

Table 1

## Installation

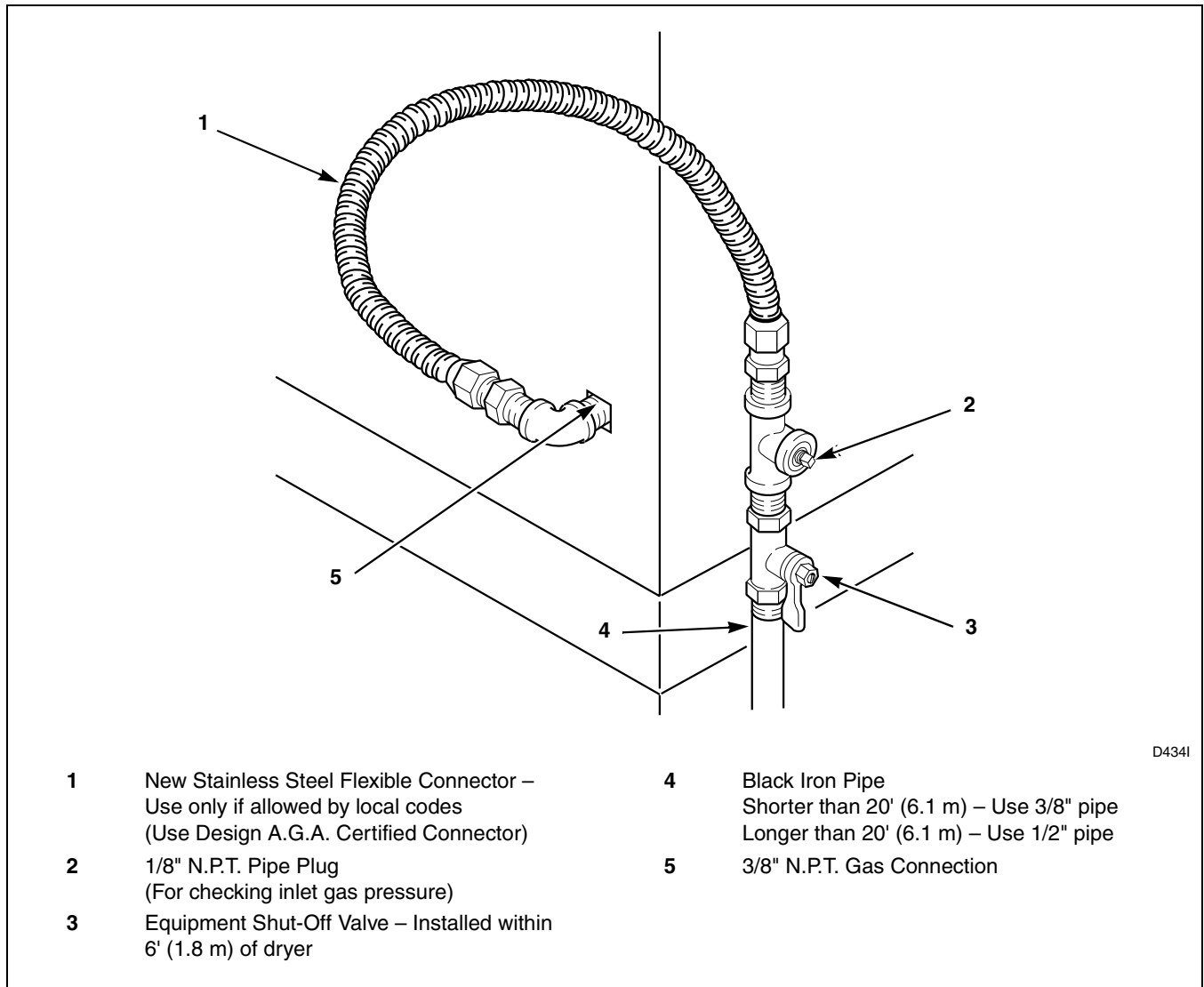


Figure 38

## Water Supply Requirements

	<b>WARNING</b>
<p>Under certain conditions, hydrogen gas may be produced in a hot water system that has not been used for two weeks or more. <b>HYDROGEN GAS IS EXPLOSIVE.</b> If the hot water system has not been used for such a period and before using the washer, turn on all hot water faucets and let the water flow from each for several minutes. This will release any accumulated hydrogen gas. The gas is flammable. Do not smoke or use an open flame during this time.</p>	
W029	

**NOTE:** Water supply faucets must fit standard 3/4 in. (19.1 mm) female garden hose couplings. **DO NOT USE SLIP-ON OR CLAMP-ON CONNECTIONS.**

**NOTE:** Water supply faucets should be readily accessible to permit turning them off when washer is not being used.

### Water Temperature

#### Cold:

Recommended cold water temperature is 60° to 80° Fahrenheit (16° to 27° Celsius).

#### Hot:

Recommended hot water temperature is 120° to 140° Fahrenheit (49° to 60° Celsius).

#### Warm:

Mixture of hot and cold water (warm water temperature is dependent upon the water temperature and the pressure of both the hot and cold water supply lines).

**IMPORTANT:** Turn off water supply faucets after check-out and demonstration. Owner should turn off water supply whenever there will be an extended period of non-use.

**NOTE:** Longer inlet hoses are available (as optional equipment at extra cost) if the hoses (supplied with the washer) are not long enough for the installation. Order hoses as follows:

- No. 20617 Inlet Hose (8 ft.) (2.44 m)
- No. 20618 Inlet Hose (10 ft.) (3.05 m)

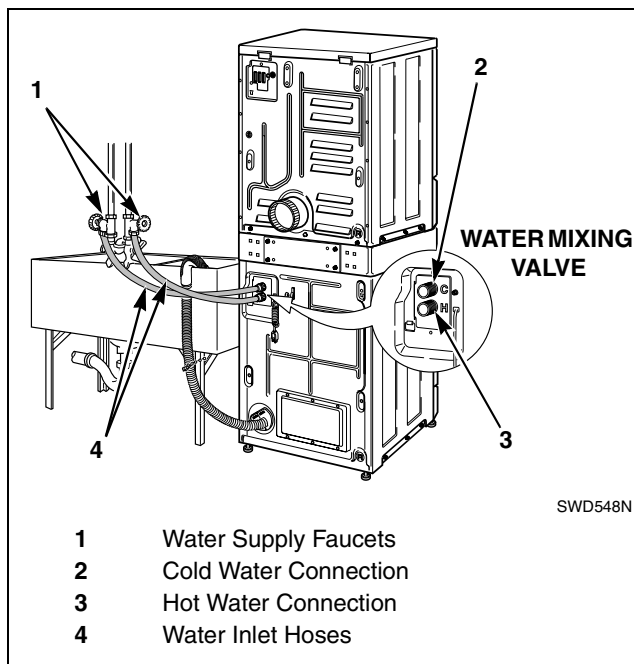


Figure 39

### Water Pressure

Pressure must be a minimum of 20 to a maximum of 120 pounds per square inch (138 to 827 kPa) static pressure measured at the faucet.

**NOTE:** Water pressure under 20 pounds per square inch (138 kPa) will cause an extended fill time in the washer and may not properly flush out the detergent dispenser.

### Risers

Risers (or air cushions) may have to be installed if the pipes knock or pound when flow of water stops. The risers are more efficient when installed as close as possible to the water supply faucets (Refer to *Figure 40*).

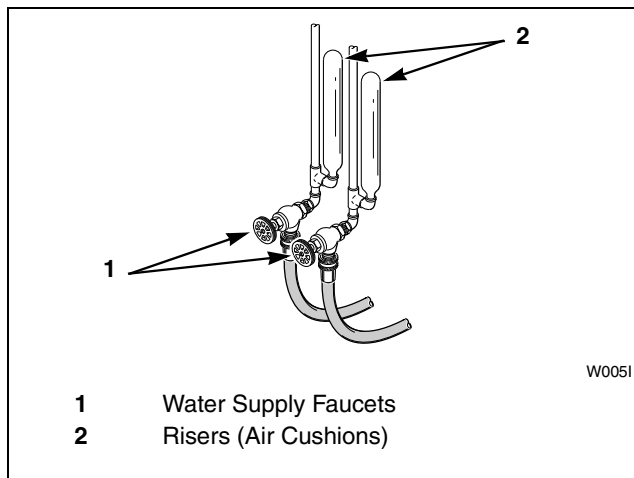


Figure 40

**Installation**

**Location Requirements**

Select a location with a solid floor.

The unit must not be installed or stored in an area where it will be exposed to water and/or weather.

Leveling legs can be adjusted from inside the unit with a 7/8 in. deep well socket. All four legs must rest firmly on the floor so the weight of the unit is evenly distributed. The unit must not rock and must be level from side-to-side and front-to-back.

**IMPORTANT: Unless completely assembled, DO NOT slide the unit across the floor. DO NOT slide the unit more than four feet once the leveling legs have been extended, as the legs and the base could become damaged.**

The unit needs sufficient clearance and an adequate air supply for proper operation and ventilation, and for easier installation and servicing. (Minimum clearances are shown in *Figure 41*.)

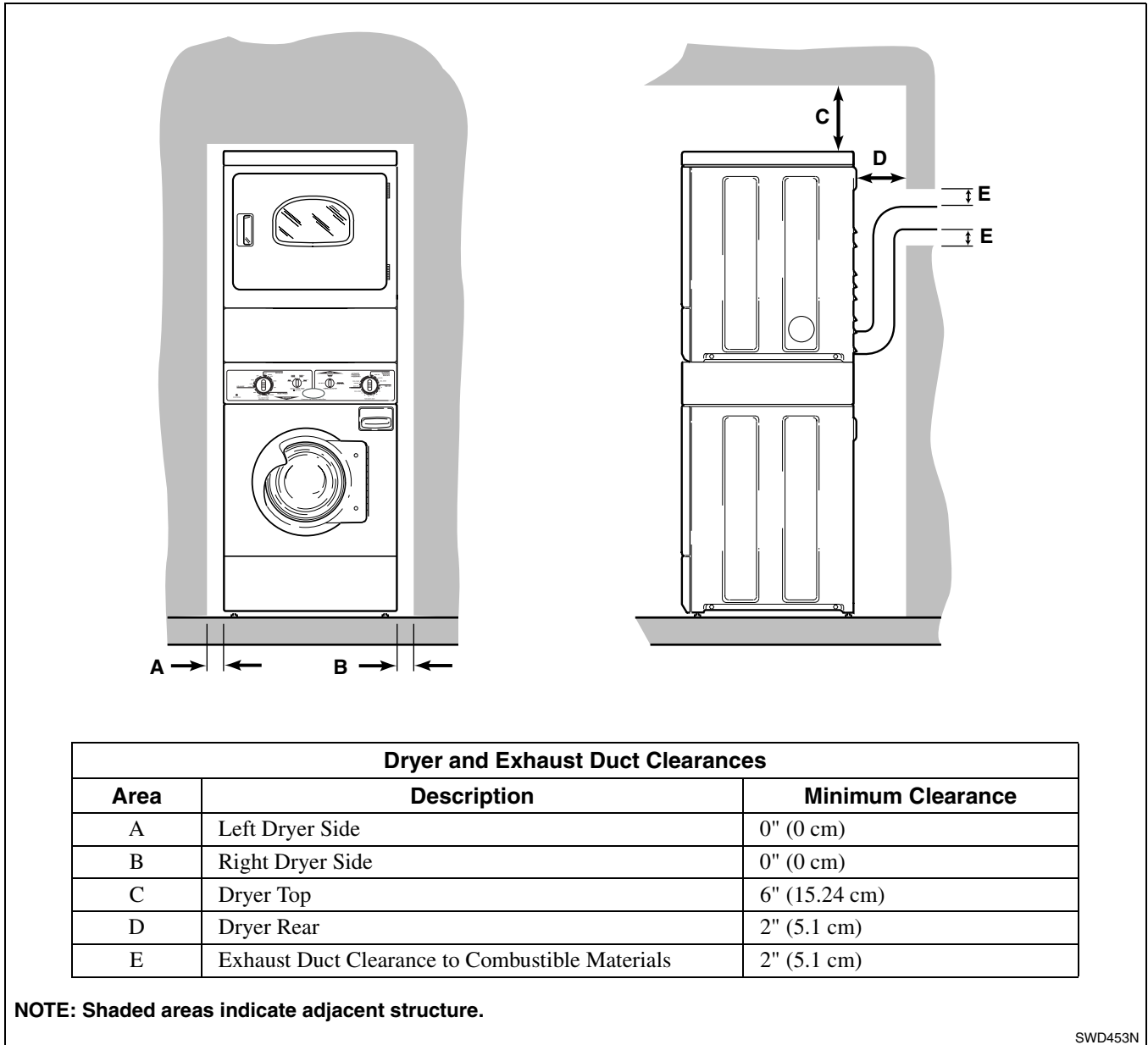



Figure 41



## Dryer Exhaust Requirements

	<b>WARNING</b>
<p>A clothes dryer produces combustible lint. To reduce the risk of fire and combustion gas accumulation the dryer <b>MUST</b> be exhausted to the outdoors.</p> <p style="text-align: right;">W116</p>	
<p>This gas appliance contains or produces a chemical or chemicals which can cause death or serious illness and which are known to the State of California to cause cancer, birth defects, or other reproductive harm. To reduce the risk from substances in the fuel or from fuel combustion, make sure this appliance is installed, operated, and maintained according to the instructions in this manual.</p> <p style="text-align: right;">W115</p>	
<p>To reduce the risk of fire and the accumulation of combustion gases, <b>DO NOT</b> exhaust dryer air into a window well, gas vent, chimney or enclosed, unventilated area, such as an attic, wall, ceiling, crawl space under a building or concealed space of a building.</p> <p style="text-align: right;">W045</p>	
<p>To reduce the risk of fire, <b>DO NOT</b> use plastic or thin foil ducting to exhaust the dryer.</p> <p style="text-align: right;">W354</p>	

### Exhaust System Materials

Exhaust system materials are not supplied with the unit.

Exhaust duct must be 4 in. (10.2 cm) in diameter having no obstructions. Rigid metal duct is recommended. Non-combustible flexible metal duct is acceptable. **Do not use** plastic or thin foil ducting, because it contributes to poor drying performance and collects lint, which can lead to a fire hazard.

Never install flexible duct in concealed spaces, such as a wall or ceiling.

**DO NOT** use sheet metal screws on exhaust pipe joints or other fastening means which extend into the duct that could catch lint and reduce the efficiency of the exhaust system. Secure all duct joints with duct tape.

Description	Kit P/N	May Be Obtained Locally
Exhaust Duct (4" Dia.)	Not Available	Yes
Flexible Metal Duct (4" Dia.)	521P3	Yes
Weather Hoods, with hinged dampers (4")	Not Available	Yes
Directional Exhaust Kit	528P3	No
Tape	Not Available	Yes

**NOTE:** Kits described above are optional exhaust system materials available at extra cost.

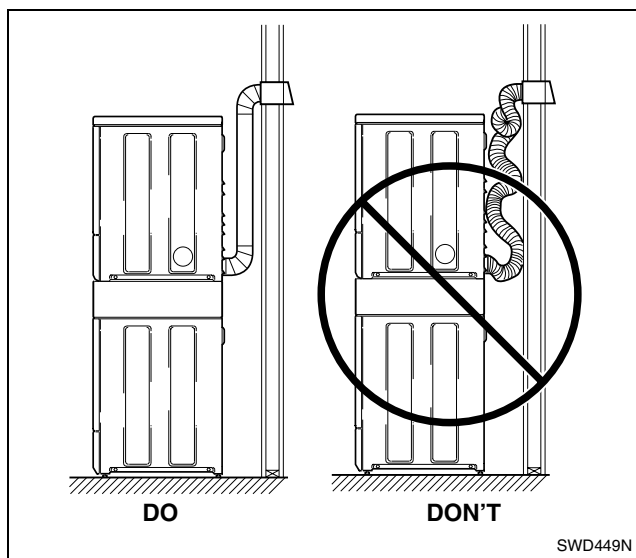


Figure 42

SWD449N

## Installation

### Make-Up Air Requirements

It is important that the laundry room has adequate make-up air for the dryer(s). A dryer exhausts 220 cfm (measured at back of the dryer) and sufficient make-up air must be supplied to replace the air exhausted by the dryer.

### Make-Up Air Dos and Don'ts

#### Do

- Supply adequate air for ventilating air, drying air and gas dryer combustion air.

**NOTE: Each dryer pocket must have 40 square inches (260 cm<sup>2</sup>) of unobstructed flow of make-up air for proper operation.**

- Energy efficient buildings with low air infiltration rates should be equipped with an air exchanger that can accommodate on demand make-up air needs in the laundry room. These devices can be obtained through your building contractor or building material suppliers.

#### Don't

- Draw make-up air from a room containing a gas fired water heater.
- Draw make-up air from a room containing a dry cleaner or a hair salon.

### Exhaust Direction

The dryer can be exhausted to the outdoors through the back, left or right of the dryer. **EXCEPTION: Gas dryers cannot be vented out the left side because of the burner housing.**

Unit is shipped from factory ready for rear exhaust; **no kits required.**

Exhausting the dryer through sides can be accomplished by installing a Directional Exhaust Kit 528P3 available as optional equipment at extra cost.

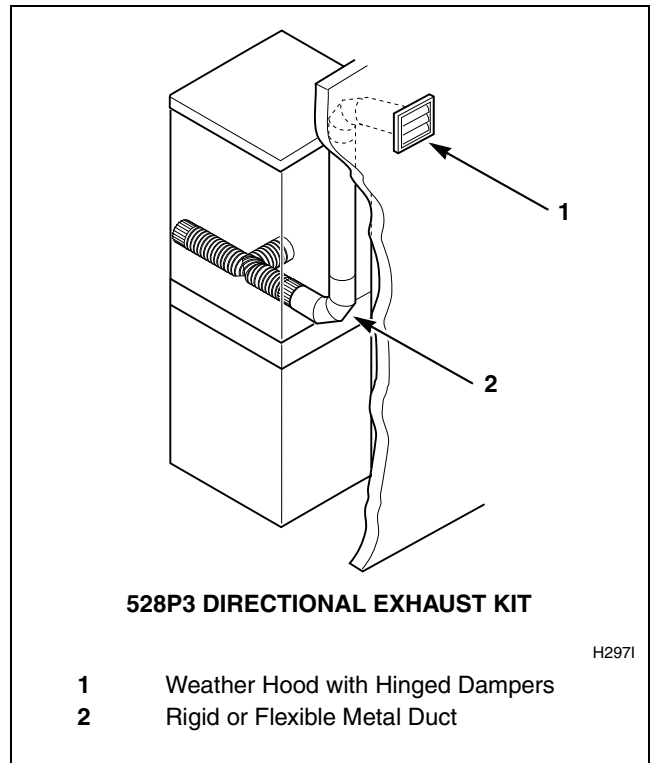


Figure 43

### Exhaust System

**IMPORTANT:** Keep exhaust duct as short as possible.

**NOTE:** Be certain old ducts are cleaned before installing your new unit.

For best drying results, recommended maximum length of exhaust system is shown in *Table 2*.

To prevent backdraft when dryer is not in operation, outer end of exhaust pipe must have a weather hood with hinged dampers (obtain locally).

**NOTE:** Weather hood should be installed at least 12 in. (30.5 cm) above the ground. Larger clearances may be necessary for installations where heavy snowfall can occur.

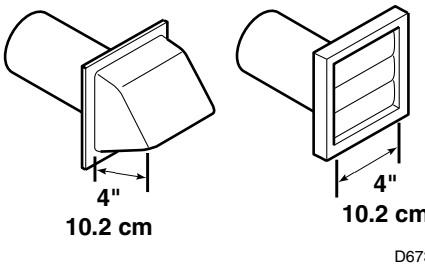
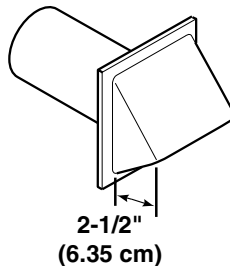

Number of 90° Elbows	Weather Hood Type	
	Recommended	Use Only for Short Run Installations
	 <p>4" 10.2 cm 10.2 cm D673I</p>	 <p>2-1/2" (6.35 cm) D802I</p>
<b>Maximum length of 4" (10.2 cm) diameter rigid metal duct</b>		
0	65 feet (19.8 m)	55 feet (16.8 m)
1	55 feet (16.8 m)	47 feet (14.3 m)
2	47 feet (14.3 m)	41 feet (12.5 m)
3	36 feet (11.0 m)	30 feet (9.1 m)
4	28 feet (8.5 m)	22 feet (6.7 m)
<b>Maximum length of 4" (10.2 cm) diameter flexible metal duct</b>		
0	45 feet (13.7 m)	35 feet (10.7 m)
1	35 feet (10.7 m)	27 feet (8.2 m)
2	30 feet (9.1 m)	21 feet (6.4 m)
3	25 feet (7.6 m)	17 feet (5.2 m)
4	20 feet (6.1 m)	15 feet (4.5 m)
<b>NOTE: Deduct 6 feet (1.8 m) for each additional elbow.</b>		

Table 2

## Installation

### Exhaust System Maintenance

The dryer interior and the complete exhaust system should be inspected after one year of use and cleaned if necessary. Inspect and clean exhaust duct every one to two years as required thereafter. The weather hood should be checked frequently to make sure the dampers move freely, dampers are not pushed in and that nothing has been set against them. This maintenance work should be done by a qualified service person.

	<b>WARNING</b>
<b>To reduce the risk of electric shock, disconnect the electrical service to the dryer before cleaning.</b>	
W043	

Exhausting the dryer in hard-to-reach locations can be accomplished by installing the 521P3 Flexible Metal Vent Kit, available as optional equipment at extra cost. The kit comes in two halves that can be separately attached to the dryer and wall outlet. Once attached, the unit can be slid back into position.

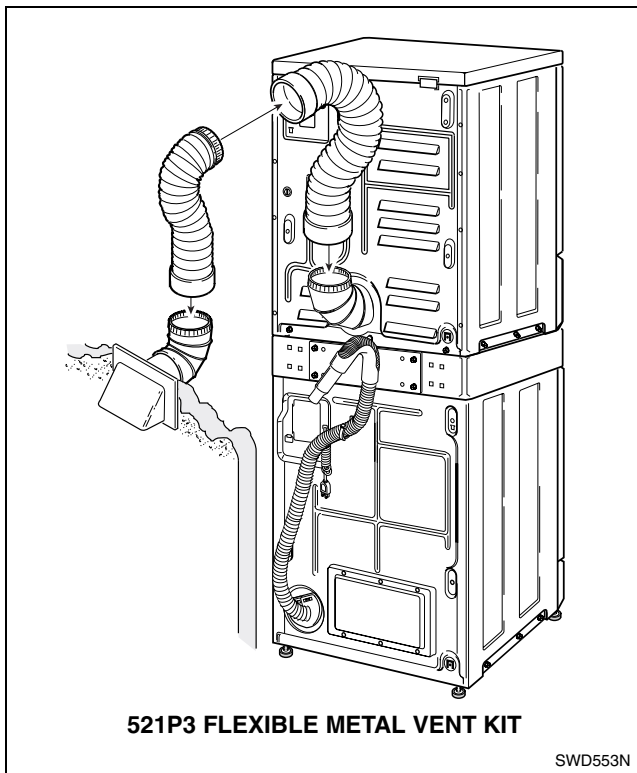


Figure 44

### Dryer Airflow

Efficient dryer operation requires proper dryer airflow. Proper dryer airflow can be evaluated by measuring the static pressure.

Static pressure in the dryer's exhaust duct should be no greater than that shown in *Figure 45*. (Check with dryer running and no load.)

**NOTE: This can be measured with a manometer placed on the exhaust duct approximately 2 ft. (61 cm) from the dryer. Refer to *Figure 45*.**

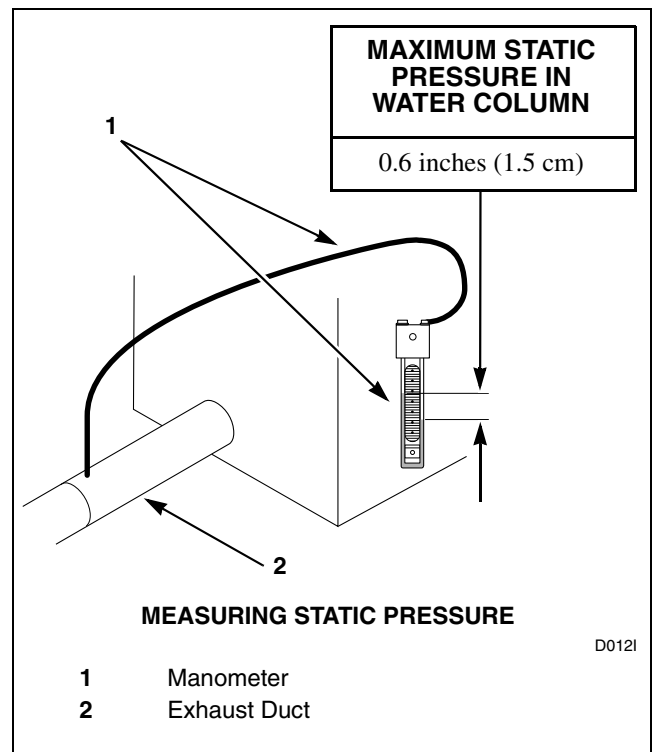


Figure 45

### Information for Handy Reference

Alliance Laundry Systems  
Shepard Street  
P.O. Box 990  
Ripon, WI 54971-0990  
U.S.A.

Date Purchased \_\_\_\_\_

Model Number \_\_\_\_\_ Serial Number \_\_\_\_\_

Dealer's Name \_\_\_\_\_

Dealer's Address \_\_\_\_\_ Phone Number \_\_\_\_\_

Service Agency \_\_\_\_\_

Service Agency Address \_\_\_\_\_ Phone Number \_\_\_\_\_

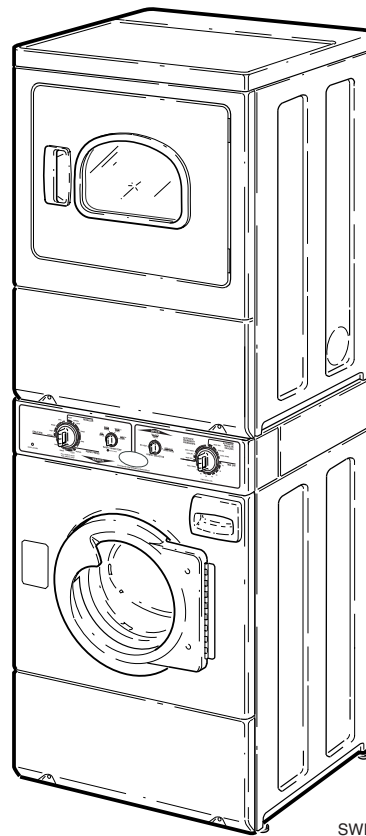
**NOTE: Record the above information and keep your sales slip. Model and serial numbers are located on the nameplate.**



# Lavadoras y secadoras apiladas

secadoras eléctricas y de gas

— **Instalación** —



SWD439C

**Guarde estas instrucciones para referencia en el futuro.**

(Si la unidad cambia de dueño, asegúrese de que este manual vaya con la misma).

**Alliance**  
Laundry Systems

[www.alliancelandry.com](http://www.alliancelandry.com)

Pieza No. 800937R2  
Agosto 2017

# Identificación de modelos

La información de este manual corresponde a estos modelos:

LTS87A\*H

LTS89A\*H

LTU87A\*H

LTU89A\*H

LTZ87A\*H

LTZ89A\*H





## ADVERTENCIA

**PARA SU SEGURIDAD, debe seguir la información contenida en este manual para minimizar el riesgo de fuego o explosión, o prevenir daños a la propiedad, lesiones graves, o la muerte.**

W033S2

- **No almacenar o usar gasolina u otros vapores y líquidos inflamables cerca de este o de cualquier otro equipo.**
- **¿QUÉ HACER SI SIENTE OLOR A GAS?:**
  - **No tratar de encender ningún aparato.**
  - **No tocar ningún interruptor eléctrico; no usar ninguno de los teléfonos de su edificio.**
  - **Evacuar a todos los ocupantes del local, edificio o área afectada.**
  - **Llamar inmediatamente al proveedor de gas, usando un teléfono de vecino. Seguir las instrucciones del proveedor de gas.**
  - **Si no puede comunicarse con su proveedor de gas, llame a los bomberos**
- **La instalación y servicio tienen que ser ejecutados por un instalador cualificado, una agencia de servicio, o su proveedor de gas.**

W052SPR3

**IMPORTANTE:** El comprador debe consultar a la compañía local de gas acerca de los pasos a seguir en caso de que el usuario de la unidad detecte olor a gas. Coloque las instrucciones proporcionadas por la compañía de gas junto con la nota de **SEGURIDAD** y **ADVERTENCIA** que se encuentra en el recuadro de arriba en un lugar visible cerca de la unidad para que pueda ser leída por el usuario.

## PARA SU SEGURIDAD

**No almacene ni use gasolina u otros líquidos o vapores inflamables cerca de éste o de otro aparato cualquiera.**

W053S2

La información siguiente se aplica al estado de Massachusetts (EE.UU.).

- Esta máquina únicamente puede ser instalada por un plomero o un instalador de gas con licencia de Massachusetts.
- Esta máquina deberá ser instalada con un conector de gas flexible de 36 pulgadas (91 cm) de longitud.
- Una válvula de cierre de gas del tipo “Mango en T” deberá ser instalada en la línea de suministro de gas de esta máquina.
- Esta máquina no deberá instalarse en un dormitorio ni en un cuarto de baño.



# Tabla de contenido

<b>Piezas de repuesto</b> .....	43
<b>Instalación</b> .....	45
Dimensiones y especificaciones .....	45
Antes de comenzar .....	46
Herramientas .....	46
Agua .....	46
Gas .....	46
Ubicación .....	46
Ducto de escape .....	46
Requisitos eléctricos .....	46
Instalación de la unidad .....	47
Paso 1: Coloque la unidad cerca del área de instalación .....	47
Paso 2: Conecte las mangueras de suministro de agua .....	47
Paso 3: Conecte la manguera de desagüe en el receptáculo de desagüe .....	48
Paso 4: (Sólo para secadoras a gas) Conecte el tubo de suministro de gas .....	50
Paso 5: (Sólo para secadoras eléctricas) Conecte el enchufe de suministro de energía eléctrica .....	51
Paso 6: Conecte el sistema de escape de la secadora .....	52
Paso 7: Coloque la unidad en su lugar y nivélela .....	53
Paso 8: Saque los manguitos de amortiguador y el tirante sujetador (en la lavadora solamente) .....	54
Paso 9: Limpie el interior de los tambores de la lavadora y la secadora .....	54
Paso 10: Enchufe la lavadora y la secadora .....	55
Paso 11: Revise la instalación .....	55
Desplazamiento de la unidad a un nuevo sitio .....	55
Revisión de la fuente de calor .....	56
Secadoras eléctricas .....	56
Secadoras a gas .....	56
Requisitos eléctricos .....	57
Lavadora .....	57
Secadoras eléctricas .....	58
Conexión eléctrica .....	60
Enchufe de tres conductores .....	60
Enchufe de cuatro conductores .....	61
Requisitos eléctricos .....	63
Secadoras a gas .....	63
Requisitos de la fuente de suministro de gas .....	65
Requisitos de suministro de agua .....	67
Temperatura del agua .....	67
Presión del agua .....	67
Tubos ascendentes .....	67
Requisitos del lugar .....	68

© Copyright 2004, Alliance Laundry Systems LLC

Reservados todos los derechos. Ninguna sección del presente manual puede ser reproducida o transmitida en forma alguna o a través de ningún medio sin el expreso consentimiento por escrito del editor.

Requisitos del sistema de escape de la secadora .....	69
Materiales del sistema de escape .....	69
Requisitos de aire de reposición .....	70
Qué hacer y qué no hacer .....	70
Dirección del escape .....	70
Sistema de escape .....	71
Mantenimiento del sistema de escape.....	72
Flujo de aire de la secadora.....	72
Información de referencia.....	73
<b>Lista de comprobación del instalador.....</b>	<b>Contraportada</b>

# Piezas de repuesto

Si requiere piezas de repuesto, póngase en contacto con el establecimiento donde adquirió la máquina o con:

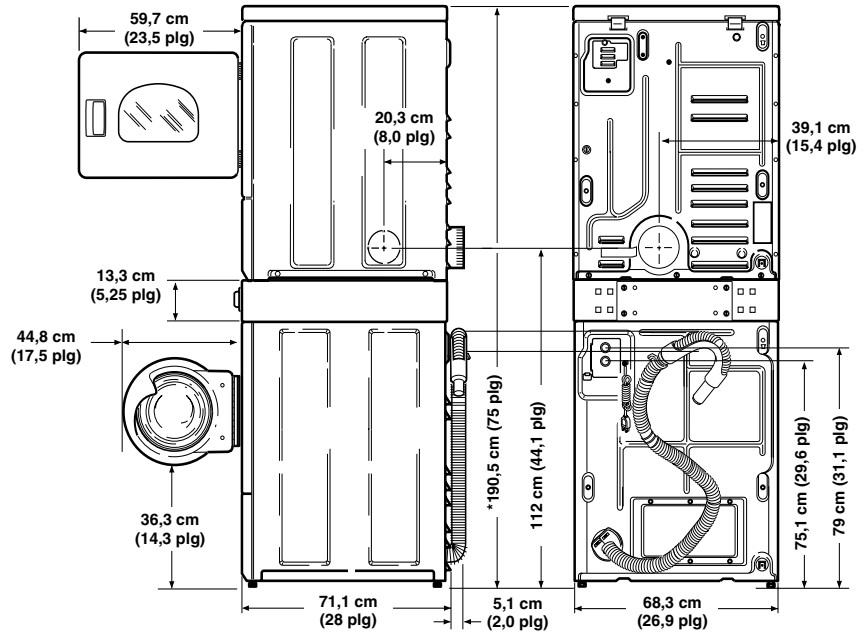
**Alliance Laundry Systems**  
**Shepard Street**  
**P.O. Box 990**  
**Ripon, WI 54971-0990**  
**U.S.A.**  
**Teléfono: (920) 748-3950**

para obtener el nombre y la dirección del distribuidor autorizado de piezas de repuesto más cercano.



# Instalación

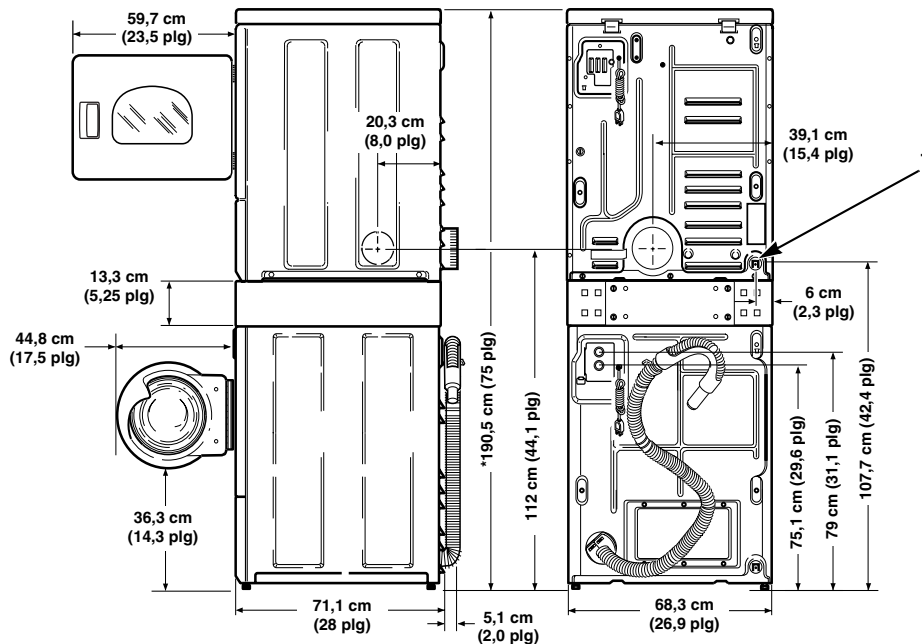
## Dimensiones y especificaciones



SECADORAS ELÉCTRICAS

SWD440N

\*Con las patas de nivelación totalmente dentro de la base.



SECADORAS A GAS

SWD441N

\*Con las patas de nivelación totalmente dentro de la base.

1 Conexión de gas N.P.T. de 9,5 mm (3/8 plg)

## Instalación

### Antes de comenzar

#### Herramientas

Éstas son las principales herramientas que necesitará en la mayoría de las instalaciones:

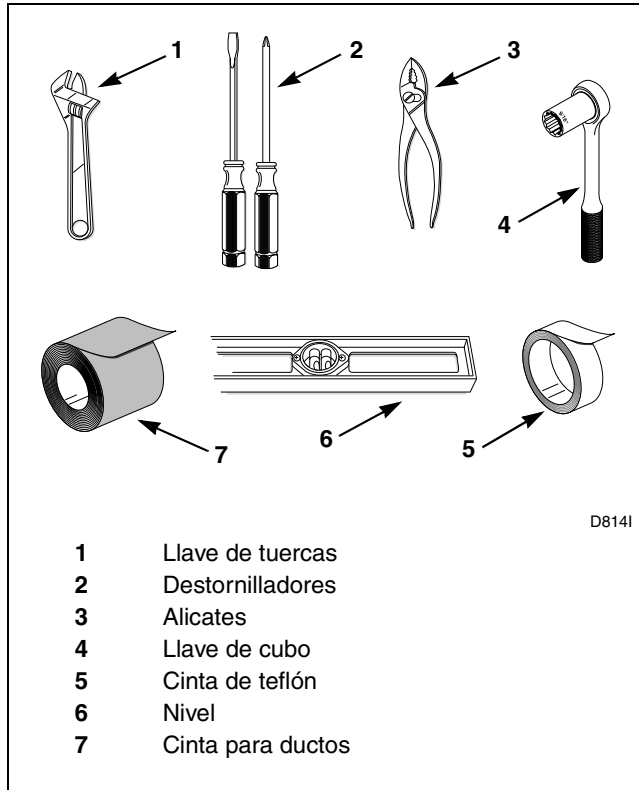


Figura 1

#### Agua

La lavadora trabaja con dos grifos estándar de 19,1 mm (3/4 plg) para el suministro de agua con una presión que oscile entre 20 y 120 libras por pulgada cuadrada (138 a 827 kPa). Para obtener más detalles, consulte la sección de *Requisitos de suministro de agua*.

#### Gas

La secadora viene equipada con un tubo de conexión de gas N.P.T. de 9,5 mm (3/8 plg) para trabajar con gas natural. Véase la sección de *Requisitos de la fuente de suministro de gas* para obtener más información.

#### Ubicación

Coloque la unidad sobre un piso firme, y en un lugar con ventilación adecuada. Remítase a la sección de *Requisitos del lugar* para obtener más información.

#### Ducto de escape

Emplee un ducto metálico rígido y use la ruta más corta posible para el escape de la secadora.

**NOTA:** Para obtener más detalles consulte la sección de *Requisitos del sistema de escape de la secadora*.

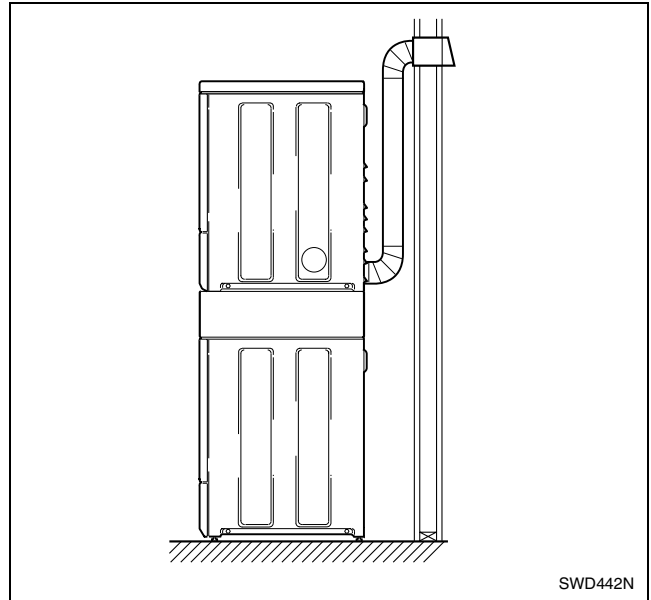


Figura 2

#### Requisitos eléctricos

- **LAVADORA**  
Consulte la placa de identificación para determinar los requisitos eléctricos específicos. Para obtener más detalles, consulte la sección de *Requisitos eléctricos de la lavadora*.
- **SECADORA ELÉCTRICA**  
La secadora necesita una fuente de suministro de energía eléctrica monofásica de 3 ó 4 terminales, de 120/240 ó 120/208 VCA, 60 Hertzios, 30 amperios. Para obtener más detalles, consulte la sección de *Requisitos de energía eléctrica para secadoras eléctricas*.
- **SECADORA A GAS**  
Necesita un receptáculo de 3 ranuras polarizado, debidamente conectado a tierra, de 120 voltios, 60 Hertzios, 15 amperios. Para obtener más detalles, consulte la sección de *Requisitos eléctricos para secadoras a gas*.

**NOTA:** Está disponible un elemento calentador para 208 voltios (como equipo opcional a un costo adicional).



## Instalación de la unidad

### Paso 1: Coloque la unidad cerca del área de instalación

Mueva la unidad hasta una distancia no mayor de 1,2 metros (4 pies) del área de instalación deseada.

### PRECAUCIÓN

**La lavadora y la secadora no están diseñadas para funcionar como unidades individuales, una al lado de la otra.**

W187S



Figura 3

### Paso 2: Conecte las mangueras de suministro de agua

**NOTA:** Consulte la sección de *Requisitos de suministro de agua* antes de conectar las mangueras de suministro de agua.

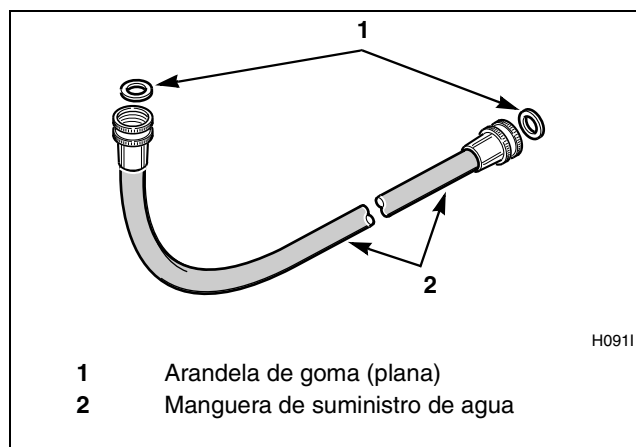
Saque las cuatro arandelas de goma planas de la bolsa de accesorios e instálelas como se indica en la .

Abra los grifos de suministro de agua y limpie las tuberías dejando que el agua fluya por aproximadamente dos minutos para eliminar cualquier material extraño que pueda obstruir las mallas de la válvula para mezclar el agua.

**NOTA:** Cuando instale la unidad en un local recién construido o remodelado es esencial limpiar las tuberías dejando que el agua fluya, ya que pudo haberse acumulado material en las mismas durante la construcción.

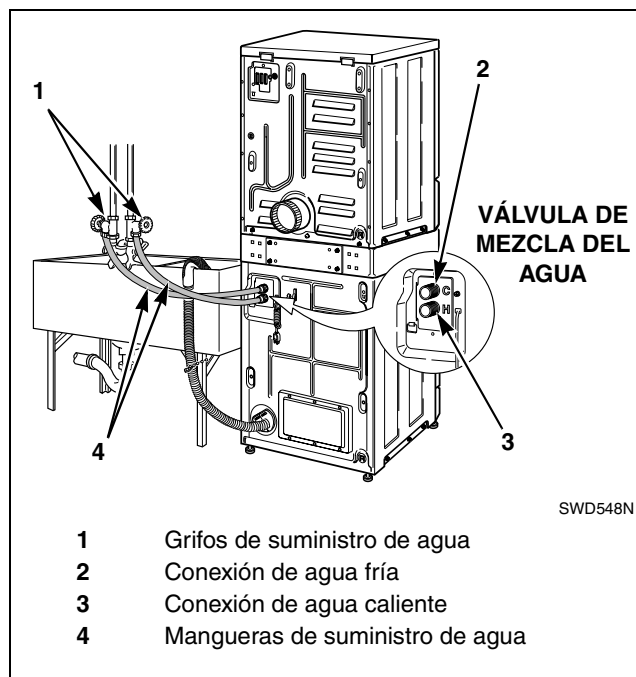
**IMPORTANTE:** Enrosque a mano las uniones en las conexiones de válvula y seguidamente gire aproximadamente un 1/4 de vuelta con la ayuda de un alicate. Asegúrese de enroscar correctamente las uniones y de **NO** apretarlas excesivamente.

Abra el grifo de agua y determine si hay fugas. Si detecta alguna fuga, reajuste las uniones de la manguera. Siga apretando y revise hasta eliminar las fugas.



- 1 Arandela de goma (plana)
- 2 Manguera de suministro de agua

Figura 4



- 1 Grifos de suministro de agua
- 2 Conexión de agua fría
- 3 Conexión de agua caliente
- 4 Mangueras de suministro de agua

Figura 5

## Instalación

### Paso 3: Conecte la manguera de desagüe en el receptáculo de desagüe

Saque la manguera del lugar de embarque en la parte trasera de la lavadora, desenganchando la manguera de la abrazadera de fijación o retirando la cinta de embargue.

**IMPORTANTE:** El receptáculo de desagüe debe ser el apropiado para una manguera de desagüe con un diámetro exterior de 3,2 cm (1-1/4 plg) como mínimo.

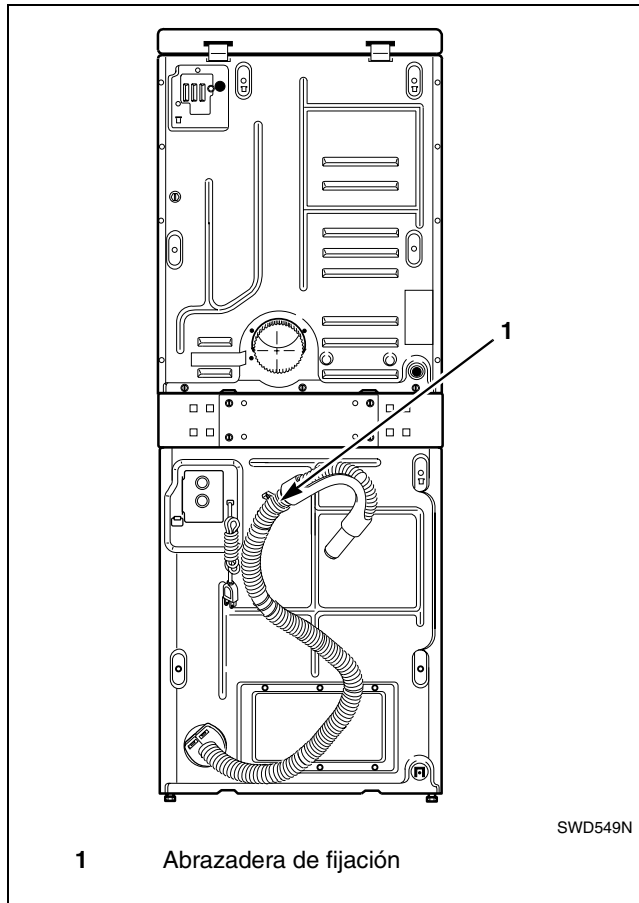


Figura 6

### Instalación del tubo vertical de desagüe

Coloque la manguera de desagüe dentro del tubo vertical de desagüe.

Saque la abrazadera perlada de la bolsa de accesorios, colóquela alrededor del tubo vertical de desagüe y la manguera de desagüe, y apriete la correa para sujetar la manguera al tubo vertical de desagüe. Así se evita que se salga la manguera del receptáculo de desagüe cuando se esté utilizando.

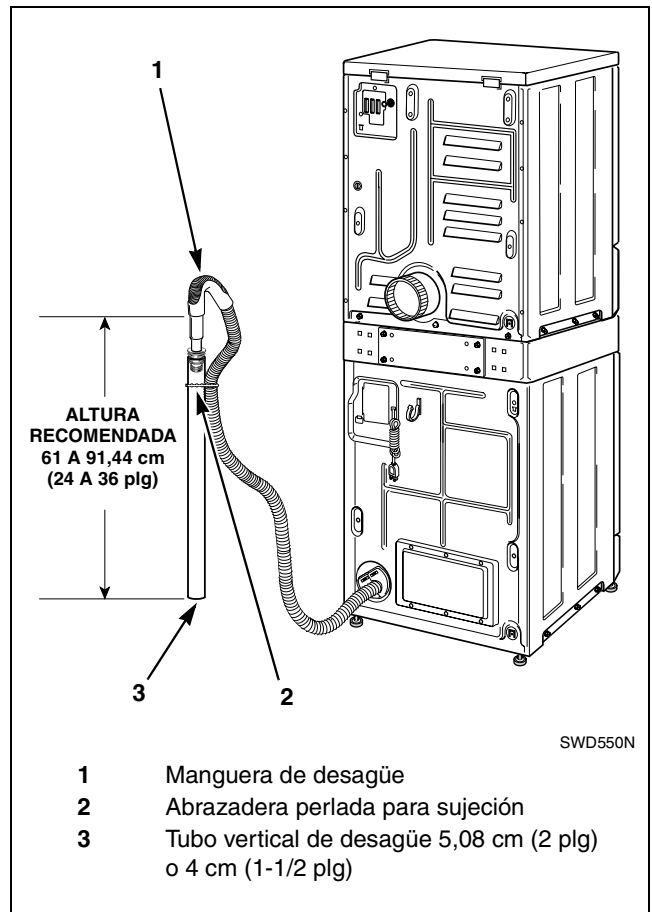


Figura 7

### Instalación a un lavamanos

Para este tipo de instalación utilice la abrazadera perlada (que viene en la bolsa de accesorios) o una abrazadera grande para cable (que puede adquirir en una tienda de herramientas local) y fije la manguera de desagüe a la bisagra de la parte superior del gabinete (consulte la *Figura 8*). Así se evita que la manguera de desagüe se salga cuando se esté utilizando.

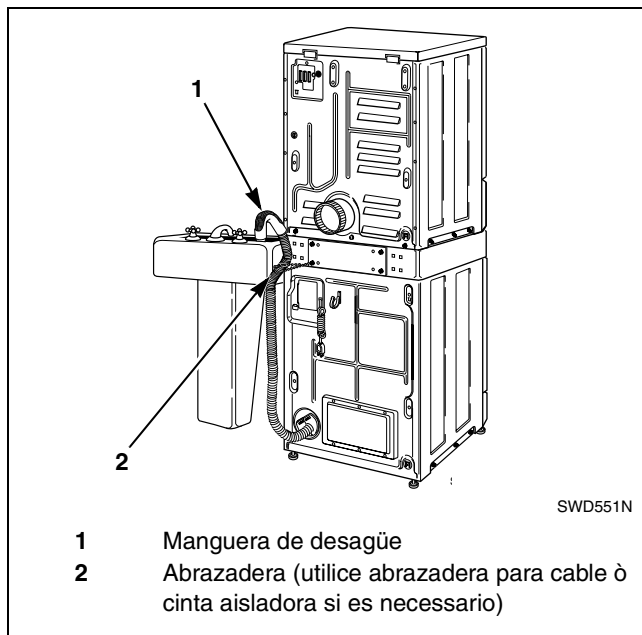


Figura 8

### Instalación a una batea

En este tipo de instalación, la manguera de desagüe DEBERÁ asegurarse a la batea fija, para evitar que la manguera se salga cuando se esté utilizando. Use la abrazadera perlada (que viene en la bolsa de accesorios) para fijar la manguera.

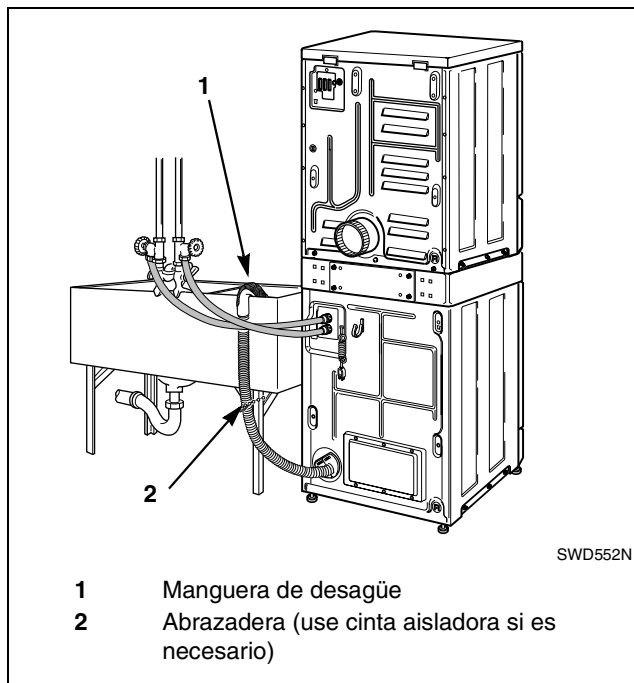


Figura 10

### Instalación en la pared

En este tipo de instalación, la manguera de desagüe DEBERÁ asegurarse a una de las mangueras de suministro de agua utilizando la abrazadera perlada que viene en la bolsa de accesorios.

**NOTA: El extremo de la manguera de desagüe no debe quedar a una altura meno que 61 cm (24 plg).**

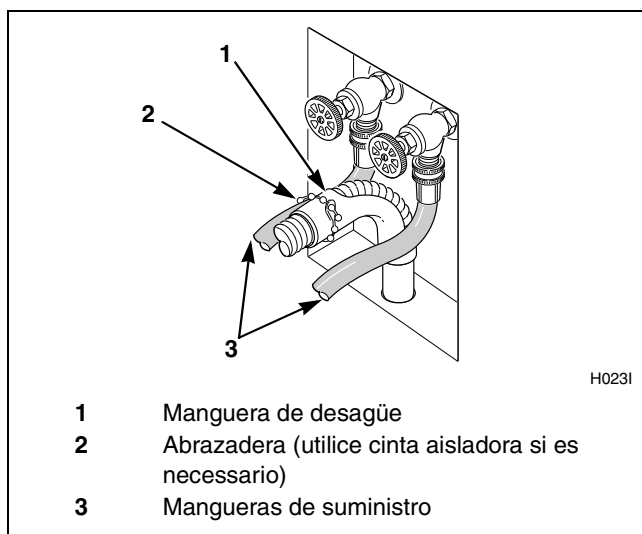


Figura 9

## Instalación

### Paso 4: (Sólo para secadoras a gas) Conecte el tubo de suministro de gas

Remítase a la sección de *Requisitos de la fuente de suministro de gas* para obtener más información.

1. Asegúrese de que la secadora esté equipada para trabajar con el tipo de gas utilizado en el área de lavandería. La secadora viene equipada de fábrica con una conexión de gas N.P.T. de 9,5 mm (3/8 plg) para trabajar con **gas natural**.
2. Retire la tapa utilizada para fines de embarque de la conexión de gas que se encuentra en la parte trasera de la secadora. Tenga cuidado de no dañar la rosca del tubo cuando saque la tapa.
3. Conecte el tubo de suministro de gas mediante el nuevo conector flexible de **acero inoxidable**.
4. Apriete bien todas las conexiones. Abra la llave del gas y revise todas las conexiones del tubo (internas y externas) para ver si hay fuga de gas, utilizando un líquido no corrosivo para detectar fugas.
5. Para la conexión de gases de petróleo líquidos, consulte la sección de *Requisitos de la fuente de suministro de gas*.

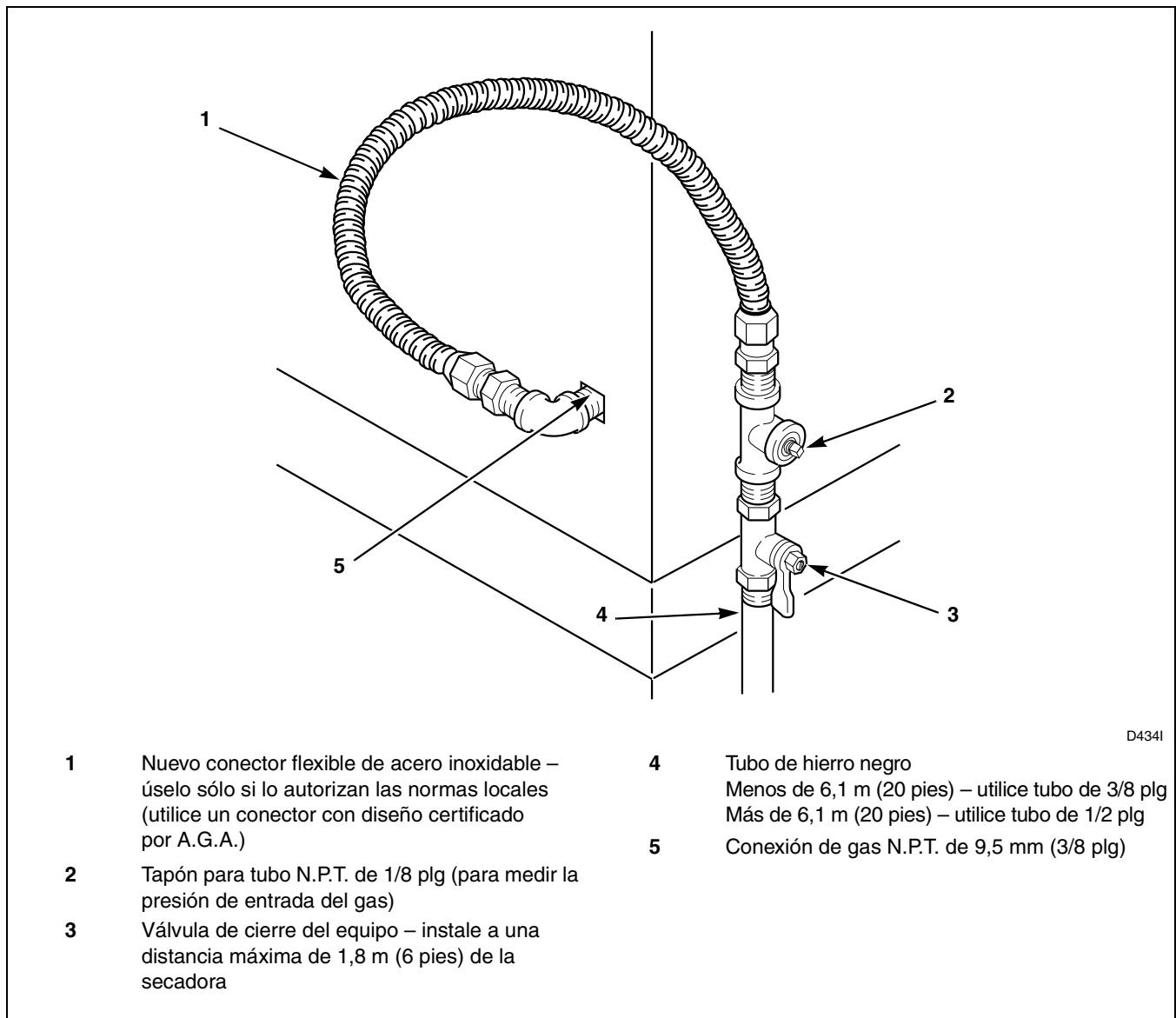


Figura 11

**Paso 5: (Sólo para secadoras eléctricas)  
Conecte el enchufe de suministro de energía eléctrica**

Remítase a la sección de *Requisitos eléctricos* para obtener más información.

**IMPORTANTE:** Utilice solamente un cordón de suministro de energía eléctrica nuevo, en lista de U.L., de tres conductores calibre 10 (alambre de cobre únicamente) con capacidad para 240 voltios (como mínimo) 30 amperios, que indique que es apropiado para secadoras de ropa.

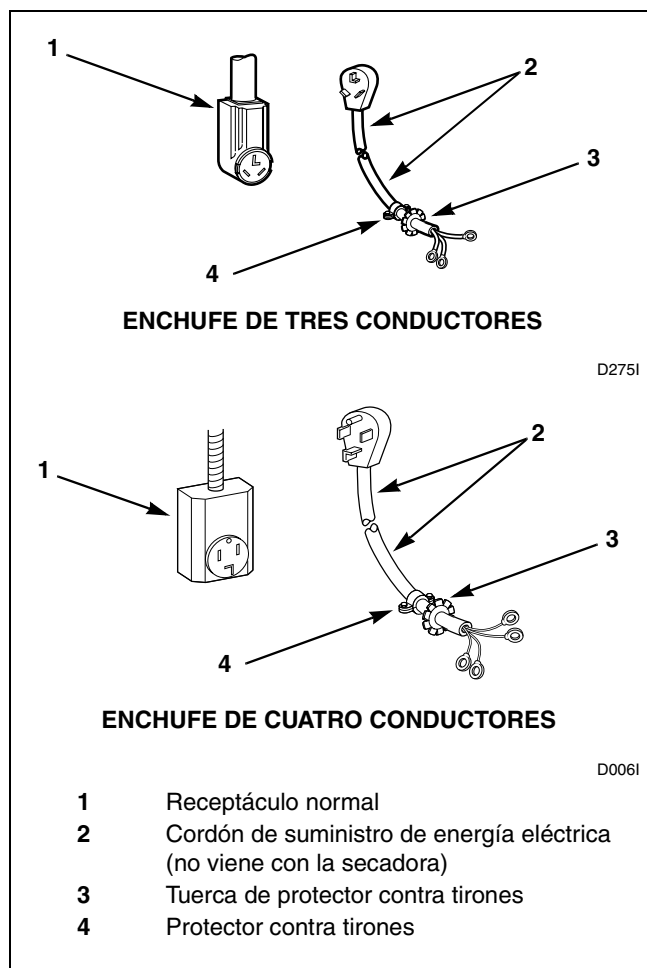


Figura 12

**NOTA:** Para obtener más detalles sobre la conexión de los enchufes de 3 y 4 terminales, consulte la sección de *Requisitos de energía eléctrica para secadoras eléctricas*.

**NOTA:** El cable de cuatro conductores debe utilizarse para instalaciones en viviendas móviles, o en áreas en las que los códigos no permitan una conexión a tierra a través del cable neutro.

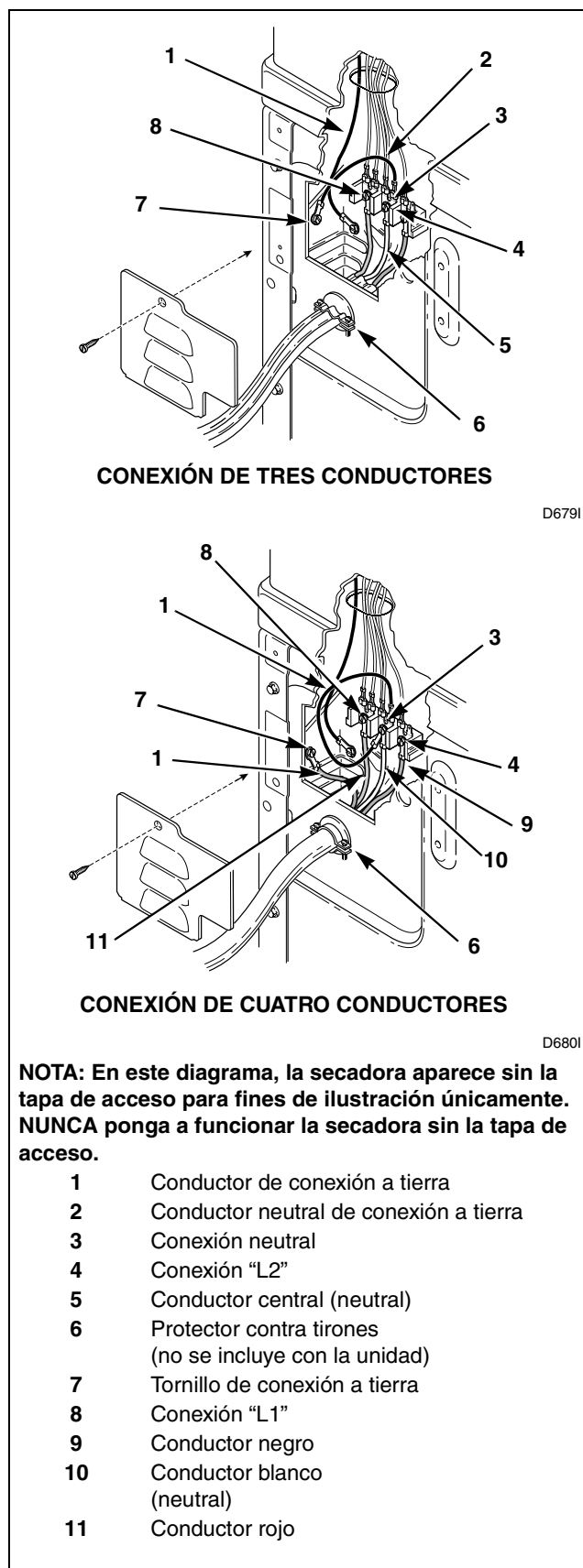



Figura 13

## Instalación

### Paso 6: Conecte el sistema de escape de la secadora

Remítase a la sección de *Requisitos del lugar* y *Requisitos del sistema de escape de la secadora* para obtener una mayor orientación.

	<b>ADVERTENCIA</b>
<p><b>La secadora de ropa produce pelusa combustible. Para disminuir el riesgo de incendio y la acumulación de gas combustible, el escape de la secadora DEBERÁ salir al exterior.</b></p>	
<small>W116SR2</small>	

- NO UTILICE tubos plásticos ni tubos de lámina metálica delgada.
- Ubique la unidad de tal manera que el ducto de escape tenga la menor longitud posible.
- Asegúrese de que los tubos viejos estén bien limpios antes de instalar su secadora nueva.
- Utilice un tubo metálico flexible o rígido de 10,2 cm (4 plg).
- El extremo macho de cada una de las secciones del conducto deberá apuntar hacia el lado opuesto a la secadora.
- Use el menor número de codos que sea posible.
- Utilice cinta aislante para ductos en todas las conexiones o empalmes.
- Las secciones del conducto que pasen a través de áreas no calentadas deberán aislarse para reducir la condensación y la acumulación de pelusas en las paredes del conducto.
- **La garantía queda sin efecto en caso de una instalación inapropiada del sistema de escape de la secadora.**

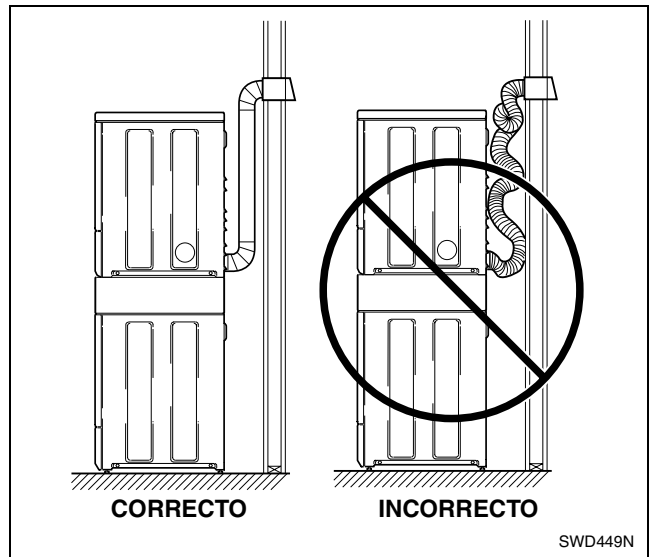


Figura 14

**NOTA: Los materiales del sistema de ventilación no vienen con la unidad (pueden adquirirse localmente).**

**Paso 7: Coloque la unidad en su lugar y nivélela**

	<b>ADVERTENCIA</b>
<p>Las unidades elevadas sobre el nivel del piso deberán fijarse mediante pernos de anclaje a la superficie elevada, base o plataforma. El material usado para elevar la unidad deberá estar también anclado al piso para impedir que la unidad se desplace de su lugar al funcionar, y para evitar que pueda ser empujada, inclinada o deslizada de su posición de instalación. De no hacerlo, pueden presentarse condiciones peligrosas que podrían ocasionar daños a la propiedad o lesiones graves e incluso fatales.</p>	
W307S	

Coloque la unidad en su posición sobre un piso limpio, firme y suficientemente nivelado. No es recomendable instalar la unidad sobre alfombras de ningún tipo.

Afloje las tuercas de seguridad de 7/8 plg y ajuste las patas de nivelación frontales y posteriores hasta que la unidad quede nivelada, no solo en sentido lateral sino también de atrás hacia adelante (use un nivel para este procedimiento). La unidad no debe cojear.

**NOTA:** El nivel deberá colocarse sobre la posición elevada del panel superior. Consulte la *Figura 15*.

**Apriete las tuercas de seguridad firmemente contra la base de la unidad** con una llave de 7/8 plg. Si las tuercas de seguridad no se aprietan debidamente, la unidad se moverá de su posición al funcionar.

**NOTA:** NO deslice la unidad sobre el piso con las patas niveladoras extendidas ya que podrían resultar dañadas.

**NOTA:** El uso de la gaveta del surtidor o de la puerta de la unidad como agarradera al transportar la unidad puede dañar el surtidor o la puerta.

Saque las patas de goma que vienen en la bolsa de accesorios y colóquelas en las patas de nivelación.

**NOTA:** Si necesita más asistencia, consulte la sección *Requisitos del lugar*.

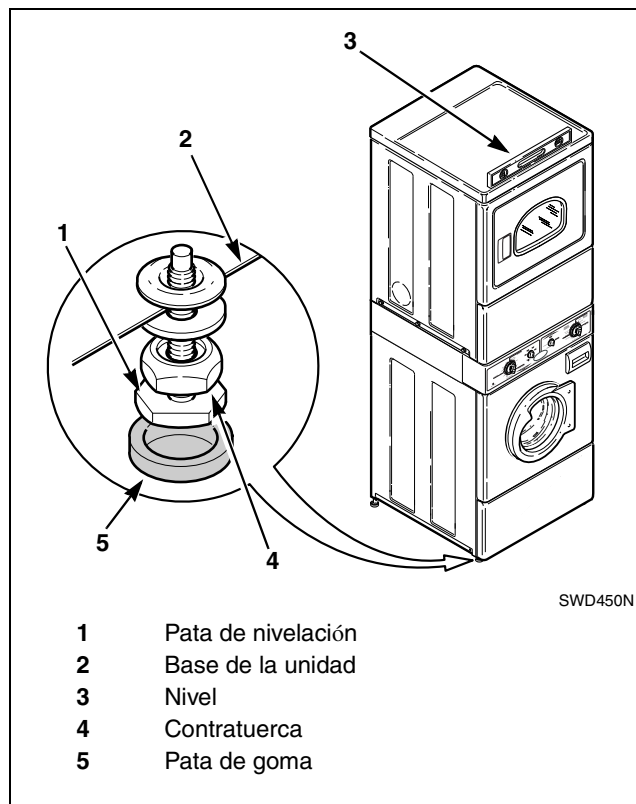


Figura 15

## Instalación

### Paso 8: Saque los manguitos de amortiguador y el tirante sujetador (en la lavadora solamente)

Desmonte el panel de acceso frontal sacando los dos tornillos.

Saque los pernos y arandelas de seguridad del tirante sujetador con una llave de tuercas de 9/16 plg y saque el tirante sujetador. Desmonte los manguitos de amortiguador tirando de la cuerda amarilla.

Quite la etiqueta de la parte lateral delantera del panel de acceso frontal y colóquela en la parte posterior de dicho panel.

**NOTA: El tirante sujetador, así como los pernos, arandelas de seguridad y manguitos de amortiguador deben conservarse y VOLVER A INSTALARSE si fuera necesario desplazar la lavadora una distancia mayor de 1,2 metros (4 pies). No levante o transporte la lavadora por el frente o sin haber instalado previamente los materiales de transporte.**

Guarde los materiales de transporte en la bolsa provista dentro de la bolsa de accesorios. Conserve los materiales para usarlos cuando haya que desplazar la lavadora.

**NOTA: Los materiales de transporte DEBERÁN reinstalarse al mover la unidad de un lugar a otro. Las instrucciones para reinstalar estos materiales se encuentran en la sección *Desplazamiento de la unidad a un nuevo sitio*.**

Vuelva a instalar el panel de acceso delantero.

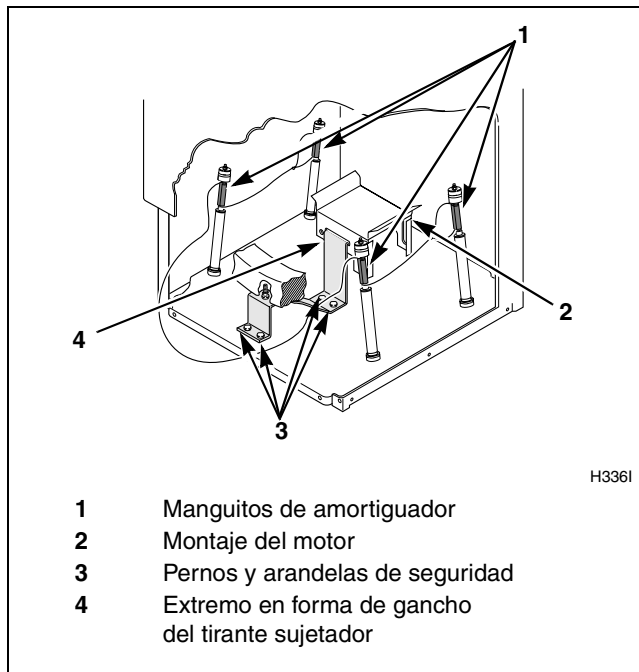


Figura 16

### Paso 9: Limpie el interior de los tambores de la lavadora y la secadora

Antes de utilizar la lavadora y la secadora por primera vez, aplique un limpiador para todo uso o una solución de agua y detergente con un paño húmedo a fin de eliminar el polvo que pueda haber caído en los tambores durante el transporte.

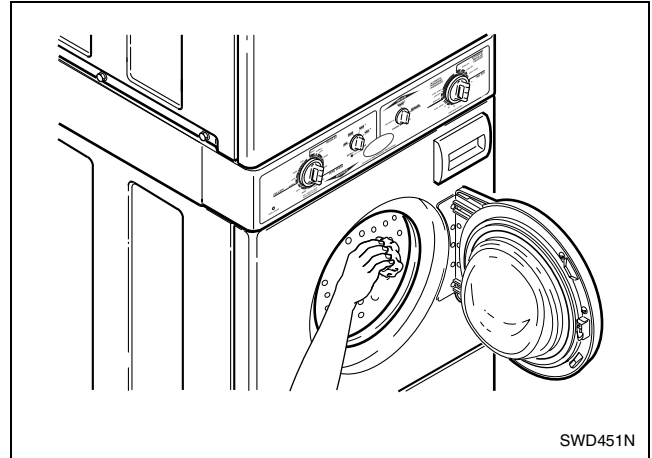


Figura 17

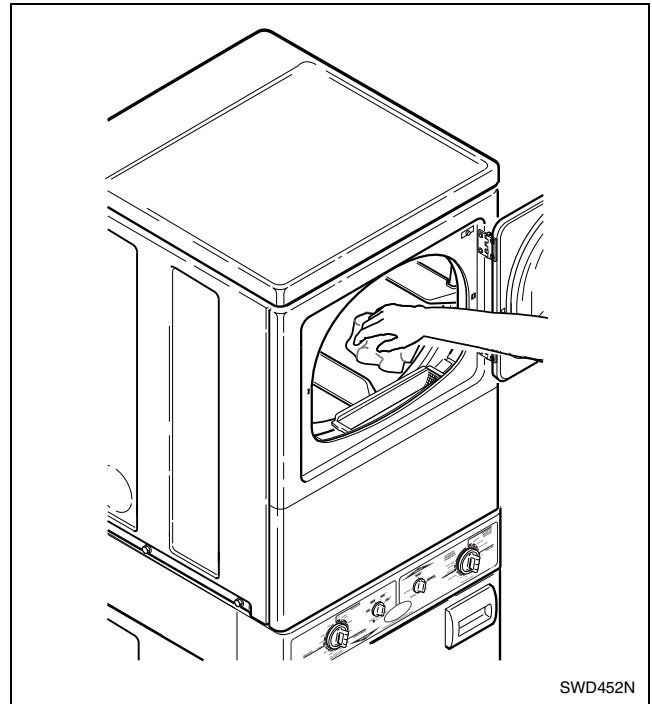


Figura 18



### Paso 10: Enchufe la lavadora y la secadora

Véase las secciones de *Requisitos eléctricos* y conecte la lavadora y la secadora a un receptáculo de pared.

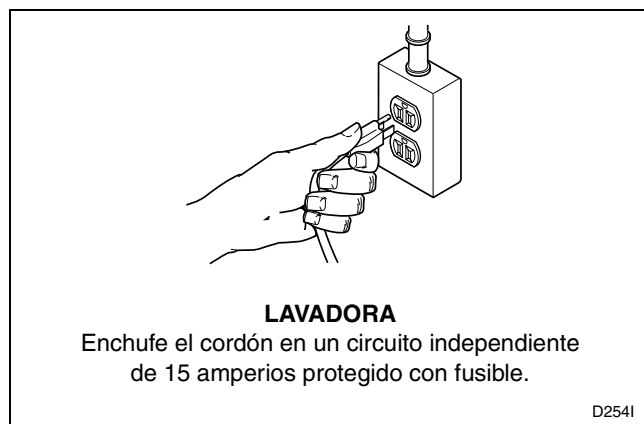


Figura 19

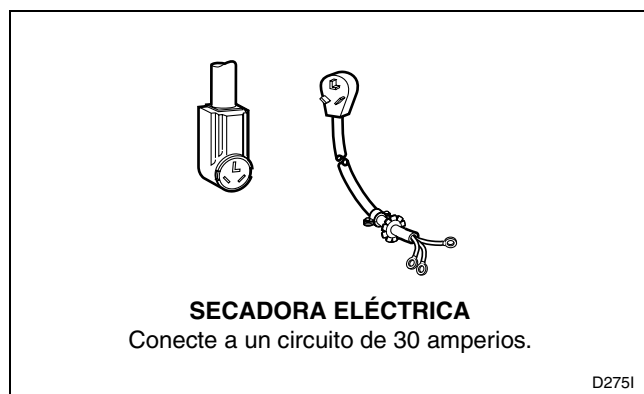


Figura 20

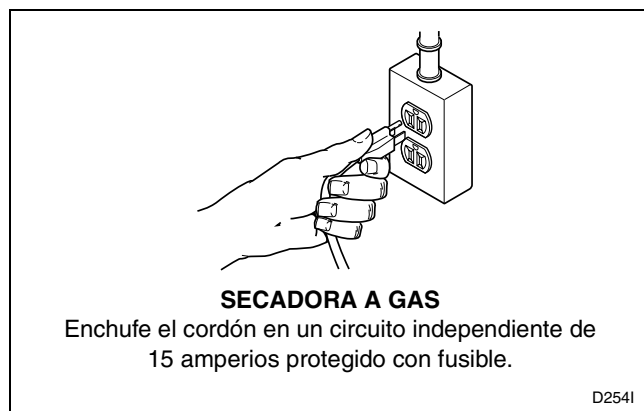


Figura 21

### Paso 11: Revise la instalación

Remítase a la *Lista de comprobación del instalador* que aparece en la contraportada y asegúrese de que la unidad esté correctamente instalada.

### Desplazamiento de la unidad a un nuevo sitio

Para prevenir daños durante el desplazamiento de la unidad, DEBERÁ volver a instalar los materiales de transporte.

### Reinstalación de los materiales de transporte

Saque el panel de acceso frontal retirando dos tornillos.

Coloque los manguitos de amortiguador sobre los cuatro amortiguadores. Consulte la *Figura 22*.

Inserte el lado en forma de gancho del tirante sujetador de embarque dentro de la ranura del montaje del motor. Asegure con pernos y arandelas de seguridad. Consulte la *Figura 22*.

Reinstale el panel de acceso frontal.

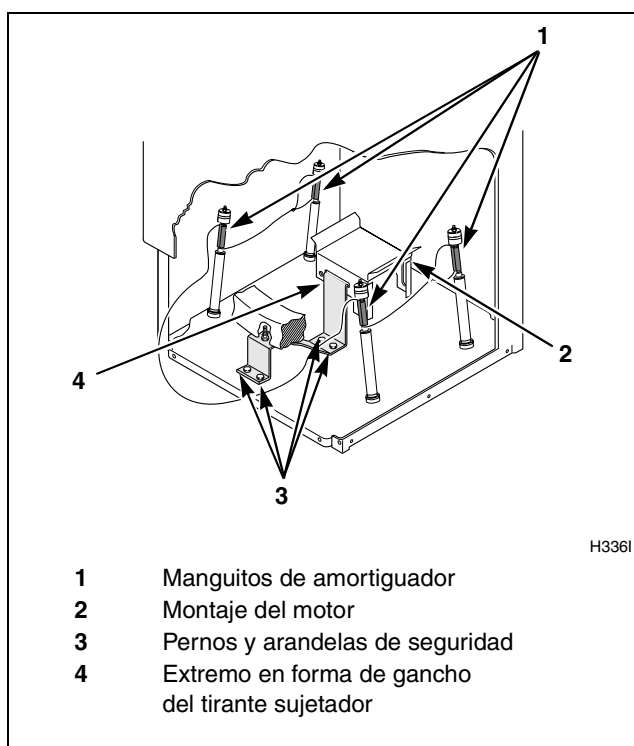


Figura 22

Para consultar los procedimientos adecuados al momento de desplazar la unidad, remítase al paso 8.

## Revisión de la fuente de calor

### Secadoras eléctricas

Cierre la compuerta de carga y ponga a funcionar la secadora ajustando antes el grado de calor (consulte las Instrucciones de operación suministradas con la secadora). Cuando la secadora haya funcionado durante tres minutos, el tubo de escape o de expulsión de aire debe estar caliente.

### Secadoras a gas

Saque el panel frontal inferior de la secadora para ver la llama del quemador.


Cierre la compuerta de carga, ponga a funcionar la secadora ajustando antes el grado de calor (consulte las Instrucciones de operación suministradas con la secadora). La secadora comenzará a funcionar, el dispositivo de encendido se pondrá al rojo vivo y el quemador principal se encenderá.

**IMPORTANTE:** Si no se purga todo el aire de la tubería de gas, el dispositivo de encendido podría apagarse antes de que se encienda el gas. Si esto sucede, después de dos minutos aproximadamente, el dispositivo de encendido intentará encender el gas nuevamente.

Después de que la secadora haya funcionado durante cinco minutos aproximadamente, vea la llama del quemador a través del panel frontal inferior. Ajuste el obturador de aire para lograr una llama azul, suave y

uniforme. (Una llama débil y amarillenta es indicio de falta de aire. Una llama azul ruidosa y muy fuerte revela que hay demasiado aire). Ajuste el obturador de aire de la manera siguiente:

- a. Afloje el tornillo de fijación del obturador de aire.
- b. Gire el obturador de aire hacia la izquierda para lograr una llama luminosa con las puntas amarillas. A continuación, gire lentamente el obturador hacia la derecha hasta tener una llama azul suave y estable.
- c. Después de ajustar el obturador de aire para lograr una llama adecuada, apriete el tornillo de fijación hasta que quede bien asegurado.
- d. Coloque nuevamente el panel delantero inferior.

	<b>ADVERTENCIA</b>
<b>Para seguridad personal, el panel frontal inferior de la secadora deberá estar en su lugar durante el funcionamiento normal.</b>	
<small>W288S</small>	

Después de que la secadora haya funcionado durante tres minutos aproximadamente, el tubo de escape o de expulsión de aire debe estar caliente.

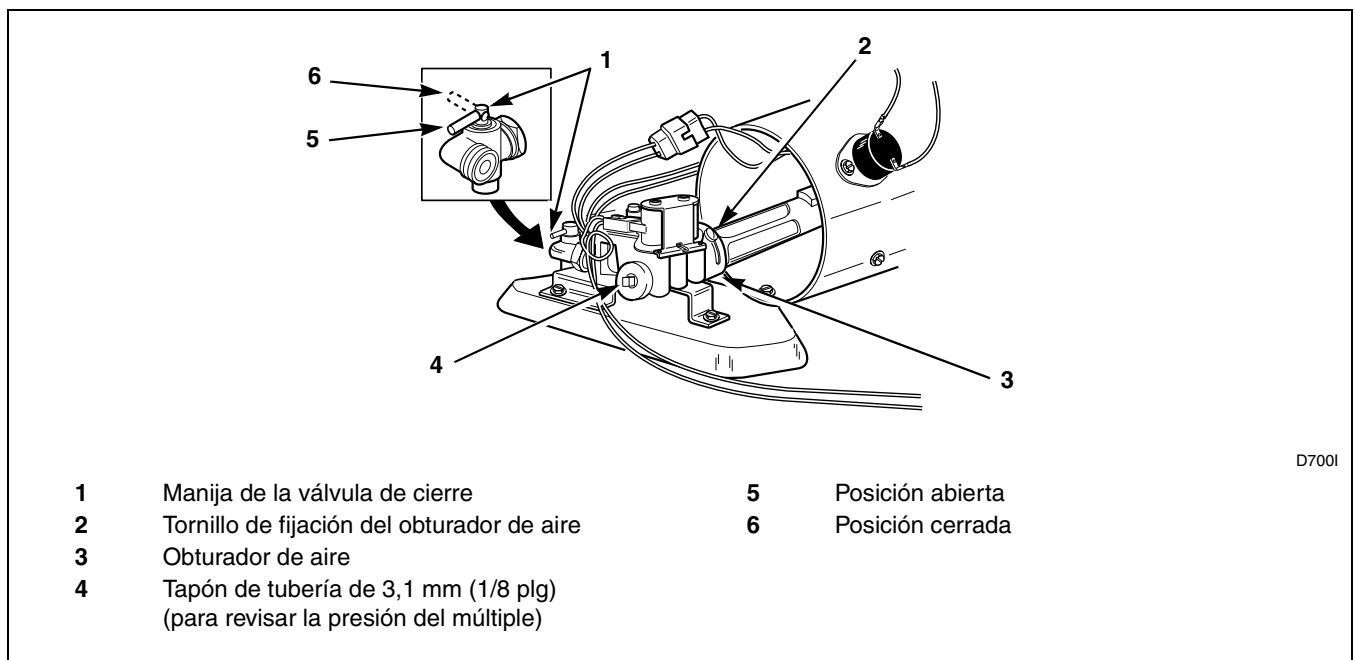


Figura 23

## Requisitos eléctricos

### Lavadora

(Enchufe de tres terminales de 120 voltios, 60 Hertzios, con conexión a tierra)

NOTA: El diagrama de cableado se encuentra detrás del panel de control, dentro del gabinete de control.

	<b>ADVERTENCIA</b>
<p><b>Para reducir el riesgo de incendio, descarga eléctrica o lesiones personales, todo el cableado y las conexiones a tierra DEBERÁN cumplir con las estipulaciones de la última edición de las Normas para instalaciones eléctricas de los Estados Unidos (National Electrical Code), ANSI/NFPA 70 y las regulaciones locales pertinentes, según el caso. Es responsabilidad del cliente hacer que un electricista calificado revise el cableado, los fusibles y los cortacircuitos, a fin de asegurarse de que la sala de lavandería cuenta con la capacidad de energía eléctrica necesaria para el funcionamiento de la lavadora.</b></p>	
W227S	

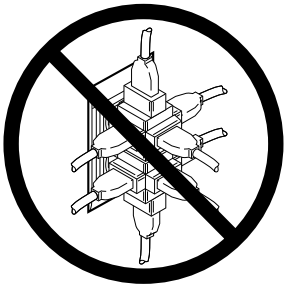

<p><b>NO SOBRECARGUE LOS CIRCUITOS</b></p> <p><b>NO UTILICE ADAPTADOR</b></p> <p><b>NO UTILICE CORDÓN DE EXTENSIÓN</b></p>	
D0091	

Figura 24


La lavadora está diseñada para funcionar al ser conectada en una ramal independiente, polarizada, de tres conductores, con conexión a tierra, de 120 Voltios, 60 Hertzios, circuito de corriente alterna (CA), protegido por un **fusible de 15 amperios**, un Fusetrón (fusible de acción lenta) o un interruptor de circuito.

La clavija de conexión a tierra de tres patillas en el cable de corriente debe ser conectada directamente en un tomacorriente con conexión a tierra de tres ranuras de 110/120 Voltios de CA (corriente alterna) de 15 amperios. Consulte la *Figura 25* para determinar la polaridad correcta del receptáculos de la pared.

	<b>ADVERTENCIA</b>
<p><b>Para reducir el riesgo de descargas eléctricas o incendio, NO utilice un adaptador o cordón de extensión para conectar la lavadora a la fuente de suministro de energía eléctrica.</b></p>	
W082SA	


### Instrucciones para la conexión a tierra

La lavadora debe conectarse a tierra. La conexión a tierra reduce los riesgos de descarga eléctrica en el caso de mal funcionamiento o averías eléctricas, creando una ruta de menor resistencia para la corriente eléctrica. La lavadora tiene un cordón con un conductor de tierra del equipo y un enchufe de tierra de tres terminales. Dicho enchufe debe conectarse directamente a un receptáculo apropiado que esté debidamente instalado y conectado a tierra, de conformidad con las normas y ordenanzas locales.

	<b>ADVERTENCIA</b>
<p><b>La conexión indebida del conductor de tierra del equipo representa un riesgo de descarga eléctrica. Consulte a un técnico de mantenimiento o electricista calificado si no está seguro de que la lavadora está debidamente conectada a tierra.</b></p>	
W216S	

**NO REALICE** modificaciones en el enchufe que trae la lavadora – Si el mismo no entra en el receptáculo, contrate los servicios de un electricista calificado para que le instale el receptáculo de pared apropiado.

NOTA: Llame a un electricista calificado para que revise la polaridad del receptáculo de pared. Si la lectura del voltaje difiere de la que aparece en la ilustración, el electricista debe solucionar el problema.

	<b>ADVERTENCIA</b>
<p><b>Esta unidad está equipada con un enchufe de tres terminales (con conexión a tierra) para protegerlo contra posibles choques eléctricos, el cual deberá enchufarse directamente a un receptáculo de tres terminales debidamente conectado a tierra. No corte ni retire el terminal de tierra del enchufe.</b></p>	
W213S	

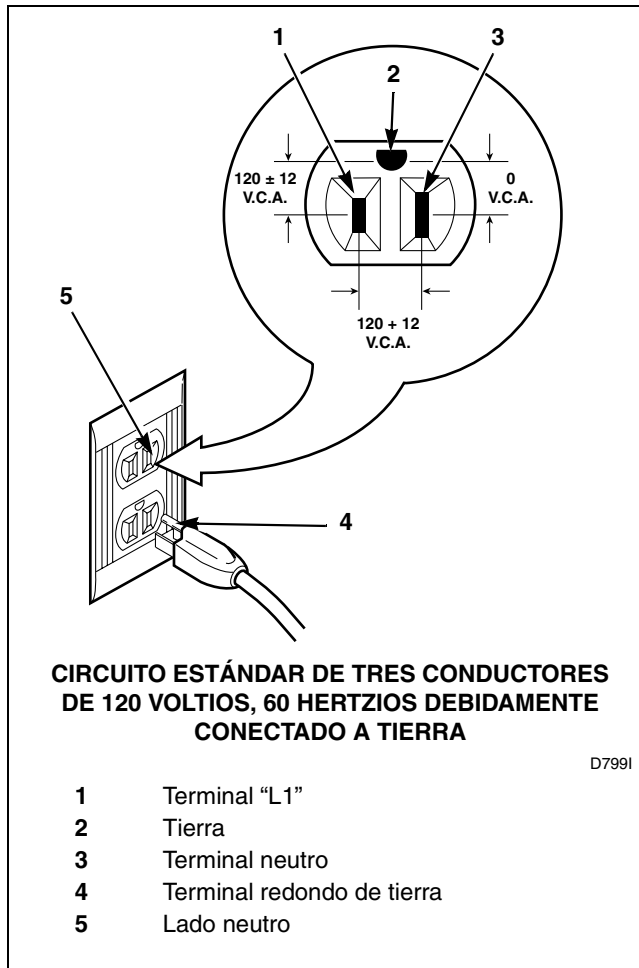


Figura 25

**NO USE OTROS APARATOS ELECTRO-DOMÉSTICOS EN EL MISMO CIRCUITO. ¡NO SOBRECARGUE LOS CIRCUITOS!**

No haga funcionar la lavadora y la secadora simultáneamente si están conectadas al mismo circuito. Utilice circuitos separados de 15 amperios protegidos con fusibles.

### ADVERTENCIA

**Para reducir el riesgo de descargas eléctricas o incendio, NO utilice un adaptador o cordón de extensión para conectar la secadora a la fuente de energía eléctrica.**

W031S

### Secadoras eléctricas

(Instalación de 3 terminales, 120/240 voltios, 60 Hertzios)

(Instalación de 3 terminales, 120/208 voltios, 60 Hertzios)\*

\*Se requiere un elemento calentador diferente

**NOTA:** El diagrama de cableado se encuentra detrás del panel de control, dentro del gabinete de control.

### ADVERTENCIA

**Para reducir el riesgo de causar un incendio, una descarga eléctrica o de sufrir lesiones personales, todo el cableado y las conexiones a tierra DEBEN cumplir con la última edición del Código eléctrico de los EE. UU. ANSI/NFPA 70 ó con el Código Eléctrico Canadiense, CSA C22.1, y los reglamentos locales que se apliquen. Es responsabilidad del consumidor hacer que un electricista revise el cableado y los fusibles para asegurarse de que la lavandería cuenta con la energía eléctrica adecuada para que funcionen la secadora.**

W035S

### Instrucciones de cableado y conexión a tierra

- Esta secadora deberá conectarse a un sistema de cableado permanente que conecte las piezas metálicas a tierra, o debe tenderse un conductor de tierra con los conductores del circuito que alimentan el equipo y conectarlo al terminal o contacto de conexión de tierra de la secadora.
- La secadora tiene su propio bloque de terminales, el cual deberá conectarse a un circuito monofásico independiente de C.A. (corriente alterna), 60 Hertzios, **protegido con un fusible de 30 amperios** (el circuito deberá estar protegido por ambos lados de la línea). **EL SUMINISTRO DE ENERGÍA ELÉCTRICA DEBERÁ SER DEL VOLTAJE MÁXIMO INDICADO EN LA PLACA DE IDENTIFICACIÓN. NO CONECTE LA SECADORA A UN CIRCUITO DE 110, 115 O 120 VOLTIOS.** Están disponibles elementos calentadores para instalación en el campo en secadoras que van a conectarse a una fuente de suministro de energía eléctrica con un voltaje diferente al que aparece en la placa de identificación (por ejemplo, 208 voltios).
- Si el circuito secundario al que se conecta la secadora tiene una longitud de 4,5 metros (15 pies) o menos, utilice cable calibre 10 A.W.G. en lista de U.L. (Underwriters Laboratories, asociación de aseguradores de los EE.UU.) (sólo cable de cobre) o según se establezca en los códigos locales. Si la longitud del circuito secundario es mayor que 4,5 metros (15 pies) utilice cable calibre 8 A.W.G. en lista de U.L. (sólo cable de cobre) o según se establezca en los códigos locales. Deje suficiente holgura en el cable para permitir que la secadora pueda moverse de su posición normal en caso de ser necesario.
- La conexión del cordón de alimentación (cable con enchufe) entre el receptáculo de pared y el bloque de terminales de la secadora **NO se suministra con la secadora.** El tipo de enchufe y calibre del cable deberán satisfacer los códigos locales y las instrucciones mencionadas en las páginas siguientes.

El método de cableado de la secadora es opcional y está sujeto a los requisitos establecidos en los códigos locales. Consulte la *Figura 26*.

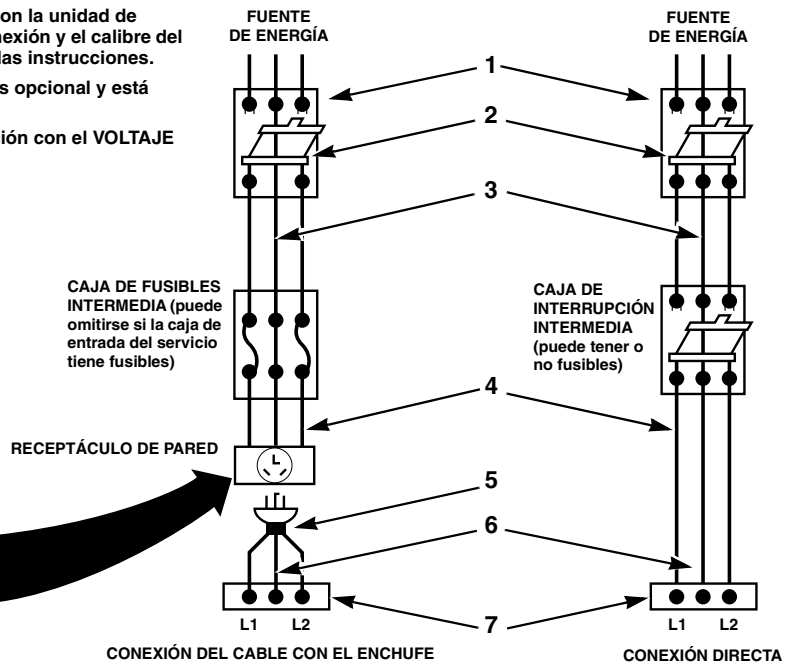
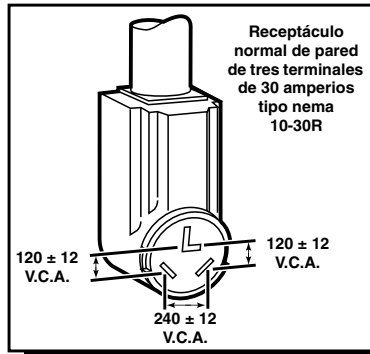
## Conexión eléctrica

### Enchufe de tres conductores

**NOTA:** El cable flexible de conexión **NO** se incluye con la unidad de secadoras eléctricas. El tipo de cable flexible de conexión y el calibre del cable deben cumplir con los códigos locales y con las instrucciones.

El método de cableado de la unidad de secadoras es opcional y está sujeto a los requisitos del código local.

**NOTA:** Conecte la secadora a la fuente de alimentación con el **VOLTAJE NOMINAL MÁXIMO** que aparece en la placa.



**NOTA:** Utilice solamente **CABLES DE COBRE**.

Para una longitud menor de 4,5 m (15 pies) – use conductores calibre 10 A.W.G.  
 Para una longitud mayor de 4,5 m (15 pies) – use conductores calibre 8 A.W.G.

- |   |  |
|---|--|
| <p>1 Caja del interruptor de entrada del servicio de tres conductores, con neutro conectado a tierra, monofásico, 120/240 voltios de C.A., 60 Hertz. (consulte la NOTA arriba)</p> <p>2 Fusibles o cortacircuitos de 30 amperios</p> <p>3 Conductor <b>neutro</b></p> | <p>4 Cable con forro metálico o no metálico (<b>solo cable de cobre</b>)</p> <p>5 Cable de conexión a la secadora (consulte la NOTA arriba)</p> <p>6 Neutro</p> <p>7 Bloque de terminales de la secadora</p> |
|---|--|

D816I

Figura 26

1. Saque el tornillo y la cubierta de acceso de la parte posterior del gabinete de la secadora.

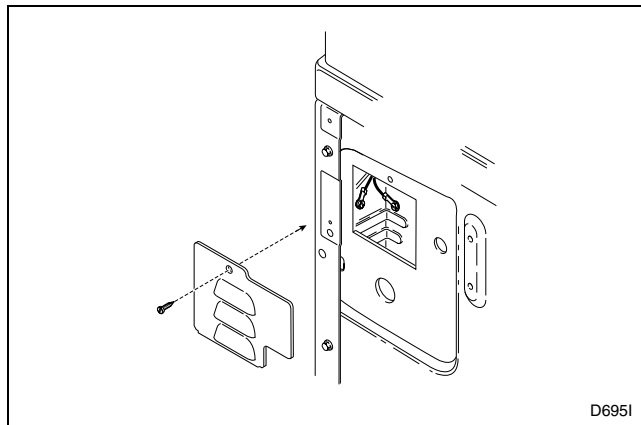


Figura 27

2. Utilice un protector contra tirones e inserte el cordón de suministro de energía a través del agujero de suministro de energía eléctrica.

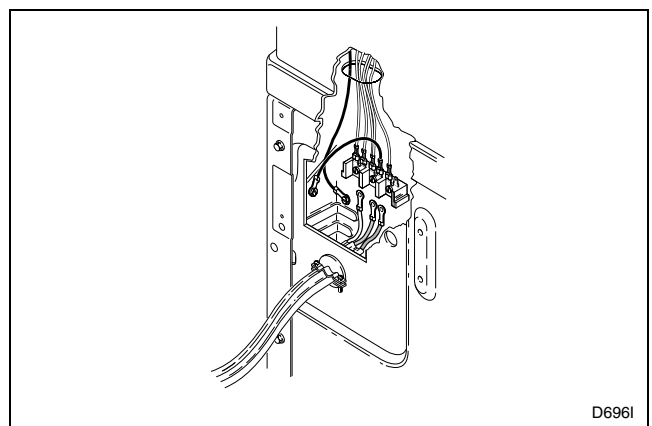


Figura 28

- Utilice los tres tornillos que están en el sobre ubicado en el cilindro para conectar los conductores del cordón de suministro de energía eléctrica al bloque de terminales.

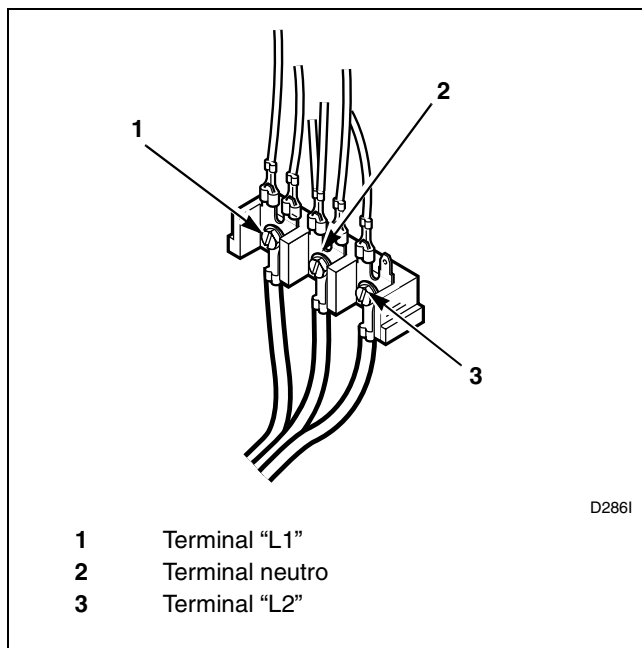


Figura 29

- Apriete firmemente los tornillos con firmeza.

**IMPORTANTE: Si no se aprietan estos tornillos con firmeza, los conductores pueden zafarse en el bloque de conexiones.**

- Fije el protector contra tirones al cable de corriente eléctrica, o a los conductores donde entran al gabinete de la secadora.
- Revise la continuidad de la conexión a tierra antes de conectar el cable de corriente en un tomacorriente. Use un dispositivo indicador adecuado conectado a la patilla de conexión central de la clavija y al tornillo verde en la parte posterior del gabinete.
- Vuelva a instalar la cubierta de acceso y atorníllela.

### Enchufe de cuatro conductores

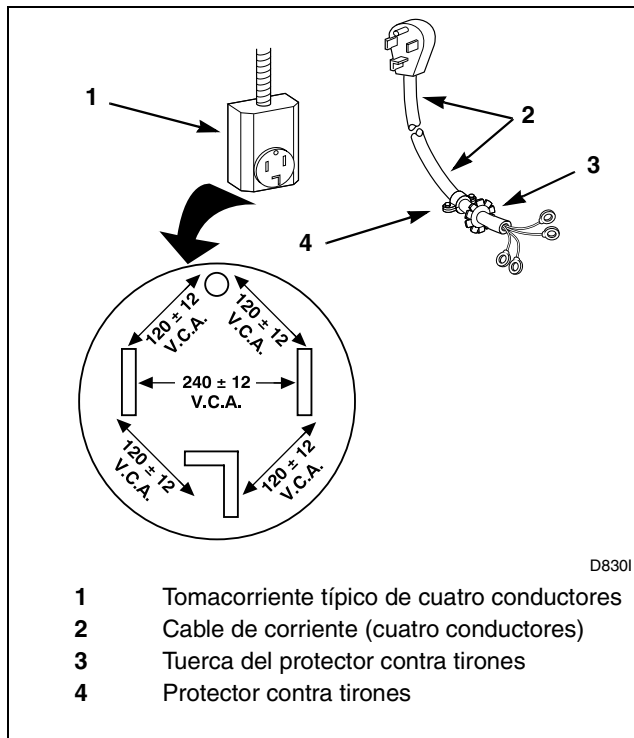


Figura 30

- Saque la tapa de acceso ubicada en la parte trasera de la secadora.

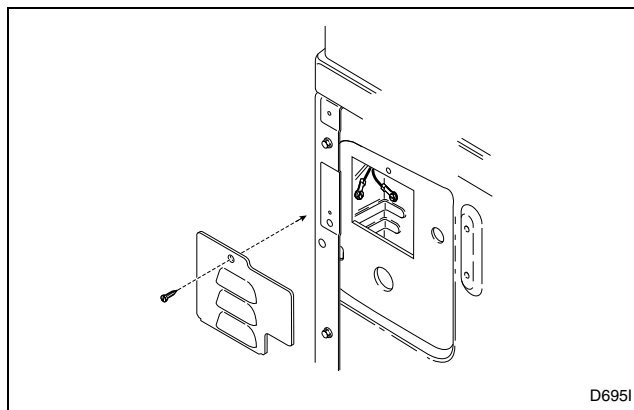


Figura 31

## Instalación

2. Saque los tres tornillos que sostienen los tres conductores a las conexiones del bloque de conexiones. **Guarde estos tornillos.** Afloje el tornillo del protector contra tirones y tire del cable de corriente o de los conductores hacia fuera a través de la parte posterior de la secadora.

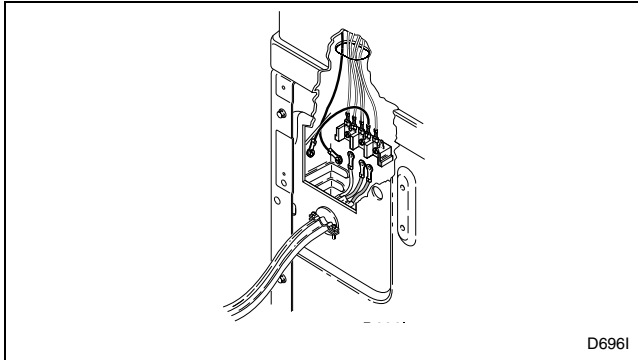


Figura 32

3. Saque el tornillo de tierra y guárdelo para utilizarlo en el paso 5. Retire el conductor y úselo en el paso 6.

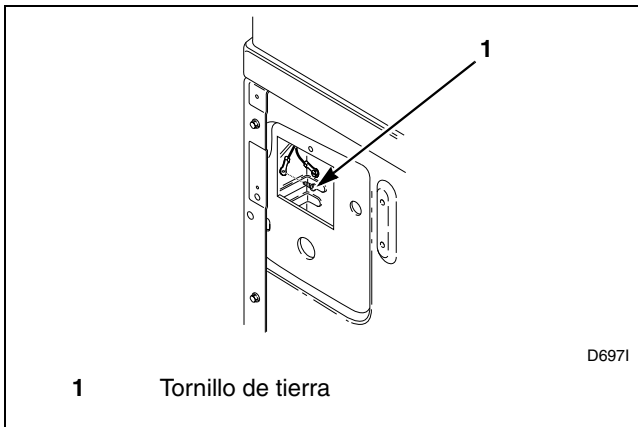


Figura 33

4. Use un protector contra tirones e inserte el extremo del cordón de suministro de energía a través del orificio de suministro de energía eléctrica.

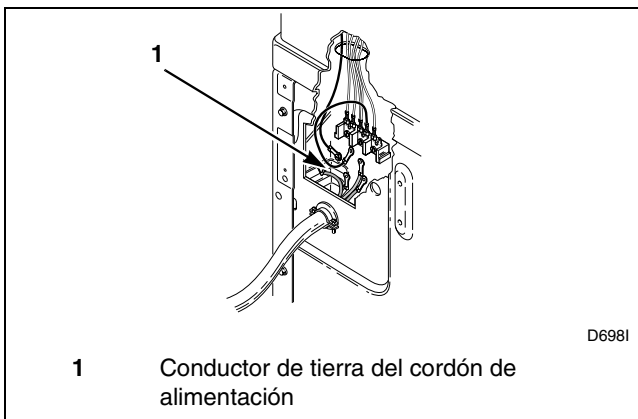


Figura 34

5. Conecte el conductor de tierra (verde) al tabique trasero utilizando los tornillos de tierra que retiró en el paso 3.
6. Utilice los tres tornillos de tierra en el sobre ubicado en el cilindro para conectar el resto de los conductores del cordón de suministro de energía eléctrica al bloque de terminales como se indica a continuación:
  - a. Conductor rojo al terminal "L1".
  - b. Conductor negro al terminal "L2".
  - c. Conductor blanco al terminal neutro.

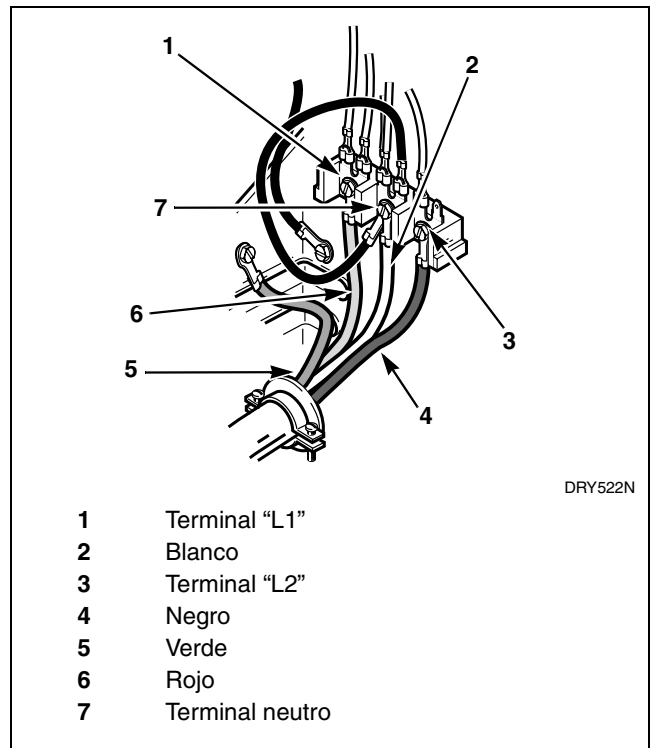


Figura 35

**NOTA:** Cuando instale el conductor blanco, enlace el extremo del ojete libre del conductor de tierra (que sacó en el paso 2) y conéctelo junto con el conductor blanco al terminal neutro (centro) en el bloque de terminales.

7. Apriete todos los tornillos con firmeza.

**IMPORTANTE:** Si no se aprietan estos tornillos con firmeza, los conductores pueden zafarse en el bloque de conexiones.

8. Revise la continuidad de la conexión a tierra antes de conectar el cable de corriente en un tomacorriente. Use un dispositivo indicador adecuado conectado a la patilla de conexión central de la clavija y al tornillo verde en la parte posterior del gabinete.
9. Vuelva a instalar la cubierta de acceso y atorníllela.




## Requisitos eléctricos


### Secadoras a gas

(Enchufe de tierra de tres terminales de 120 voltios, 60 Hertzios)

NOTA: El diagrama de cableado se encuentra detrás del panel de control, dentro del gabinete de control.


	<b>ADVERTENCIA</b>
<p>Para reducir el riesgo de causar un incendio, una descarga eléctrica o de sufrir lesiones personales, todo el cableado y las conexiones a tierra DEBEN cumplir con la última edición del Código eléctrico de los EE. UU. ANSI/NFPA 70 ó con el Código Eléctrico Canadiense, CSA C22.1, y los reglamentos locales que se apliquen. Es responsabilidad del consumidor hacer que un electricista revise el cableado y los fusibles para asegurarse de que la lavandería cuenta con la energía eléctrica adecuada para que funcionen la secadora.</p>	
<small>W035S</small>	

- La secadora está diseñada para conectarse a un circuito independiente de C.A. (corriente alterna) de 120 voltios 60 Hertzios de tres conductores debidamente conectado a tierra, protegido con un **fusible de 15 amperios** o con un cortacircuitos o Fusetron equivalente.
- El enchufe de tres terminales con conexión a tierra del cordón de alimentación debe enchufarse directamente en un receptáculo polarizado de tres terminales debidamente conectado a tierra y con una capacidad de 120 voltios de C.A. (corriente alterna) y 15 amperios. Para determinar la polaridad correcta del receptáculo de pared. Consulte la *Figura 37*.

	<b>ADVERTENCIA</b>
<p>Estas secadoras están equipadas con clavijas de tres patillas (con conexión a tierra) para su protección contra descargas eléctricas y deben ser conectadas directamente en tomacorrientes con conexión a tierra de tres orificios. No corte ni quite las patillas de conexión a tierra de estas clavijas.</p>	
<small>W036S</small>	

NOTA: Llame a un electricista calificado para que revise la polaridad de los receptáculos de pared. Si la lectura del voltaje es distinta a la que aparece en la ilustración, el electricista debe solucionar el problema.

- NO UTILICE EL MISMO CIRCUITO PARA HACER FUNCIONAR OTROS EQUIPOS MIENTRAS ESTÉ FUNCIONANDO LA SECADORA. ¡NO SOBRECARGUE LOS CIRCUITOS!
- NO conecte la lavadora y la secadora de gas al mismo circuito. Utilice circuitos separados protegidos con un fusible de 15 amperios.

	<b>ADVERTENCIA</b>
<p>Para reducir el riesgo de sufrir una descarga eléctrica o incendio, NO use una extensión de cable de corriente ni un adaptador para conectar una secadora a la fuente de energía eléctrica.</p>	
<small>W037S</small>	

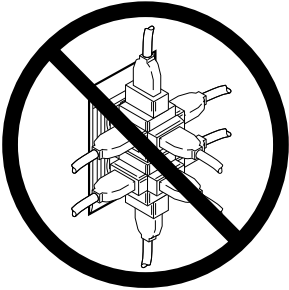
<p><b>NO SOBRECARGUE LOS CIRCUITOS</b></p> <p><b>NO UTILICE ADAPTADOR</b></p> <p><b>NO UTILICE CORDÓN DE EXTENSIÓN</b></p>	
<small>D009I</small>	

Figura 36

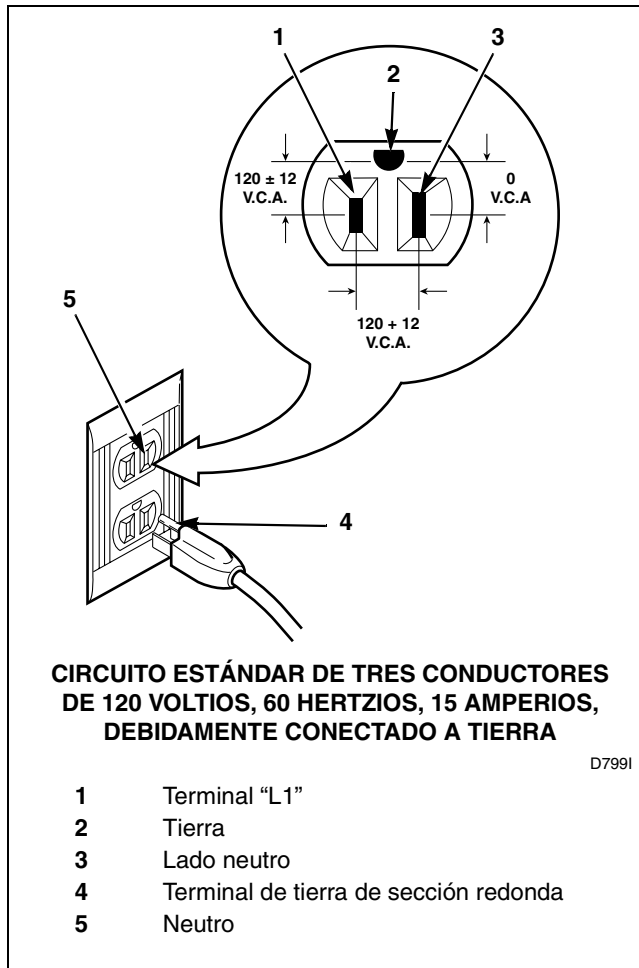


Figura 37

*Instrucciones de conexión a tierra*

- La secadora tiene que conectarse a tierra. En caso de mal funcionamiento o avería, la conexión a tierra reduce el riesgo de descarga eléctrica al proporcionar una ruta de menor resistencia para la corriente eléctrica. La secadora tiene un cordón con un conductor de tierra del equipo y un enchufe de tres terminales con conexión de tierra. Este enchufe deberá conectarse directamente a un tomacorriente adecuado, debidamente conectado a tierra según los códigos y ordenanzas locales.

	<b>ADVERTENCIA</b>
<p><b>La conexión indebida del conductor de tierra del equipo puede representar un peligro de descarga eléctrica. Consulte a un técnico de mantenimiento o electricista cualificado si no está seguro de que su secadora esté bien conectada a tierra.</b></p>	
W038SR1	

- **NO** modifique el enchufe que trae la secadora – si el enchufe no entra en el tomacorriente, contrate los servicios de un electricista calificado para que instale el tomacorriente adecuado.
- Si el suministro de energía eléctrica de la sala de lavandería no satisface las especificaciones antes mencionadas y/o no está seguro de que cuenta con la debida conexión a tierra, haga que un electricista calificado o la compañía de electricidad revise la instalación y corrija los problemas que encuentre.

## Requisitos de la fuente de suministro de gas

(Secadoras a gas)

**NOTA:** El servicio de gas para las secadoras a gas debe cumplir con las estipulaciones de los códigos y ordenanzas locales, o en ausencia de los mismos, debe satisfacer la última edición del Código nacional sobre gas combustible ANSI Z223.1/NFPA 54 o el Código nacional para la instalación de gas combustible CAN/CGA-B149.

**Gas natural**, 37,3 MJ/m<sup>3</sup> (1.000 Btu/pie<sup>3</sup>) – El servicio de gas deberá suministrarse a una presión de columna de agua de 6,5 ± 1,5 plg.

Para un funcionamiento apropiado a altitudes superiores a los 610 m (2.000 pies), el tamaño del orificio del mechero de la válvula de gas debe reducirse, a fin de garantizar una combustión completa. Consulte la *Tabla 1*.

**Gas LP (gases de petróleo licuados)**, 93,1 MJ/m<sup>3</sup> (2.500 Btu/pie<sup>3</sup>) – El servicio de gas deberá suministrarse a una presión de columna de agua de 10 ± 1,5 plg.

**NOTA:** NO conecte la secadora al servicio de petróleo licuados sin la previa conversión de la válvula de gas. Deberá hacer que el concesionario o distribuidor autorizado por el fabricante, o personal de servicio local, instale un conjunto de conversión a petróleo licuados (No. 458P3).

**NOTA:** La secadora y su válvula de cierre deben desconectarse del tubo de suministro de gas durante la realización de pruebas de presión del sistema, cuando las presiones de prueba sean superiores a 3,45 kPa (1/2 psi).

La secadora debe aislarse del sistema de tuberías de suministro de gas mediante la válvula de cierre manual durante cualquier prueba de presión de dicho sistema de tuberías cuando las presiones de prueba sean iguales o menores a 3,45 kPa (1/2 psi).

**NOTA:** Al conectarse la secadora a una tubería de gas, debe instalarse una válvula de cierre a una distancia no mayor de 1,8 m (6 pies) de la secadora. Asimismo, debe instalarse un tapón de tubo N.P.T. de 1/8 plg tal como se indica en la *Figura 38*.



## ADVERTENCIA

Para reducir el peligro de fugas de gas, incendio o explosión:

- La secadora deberá conectarse al tipo de gas indicado en la placa de identificación fijada en la compuerta.
- Utilice un conector flexible nuevo de acero inoxidable.
- Utilice compuesto para uniones de tubería que sea insoluble en gas L.P. (gases de petróleo licuados) o, en su defecto, cinta de teflón, en todas las roscas de unión de tubería.
- Purgue el aire y sedimentos de la línea de suministro de gas antes de conectarla a la secadora. Antes de apretar la conexión, purgue el aire remanente de la línea de gas a la secadora hasta que se detecte olor a gas. Este paso es necesario para evitar la contaminación de la válvula de gas.
- No utilice una llama para comprobar que no hay fugas de gas. Utilice un líquido detector de fugas no corrosivo.
- Todo desmontaje que requiera el uso de herramientas deberá ser realizado por personal de servicio calificado.

W316S

Ajustes para gas natural según la altitud

Altitud		Tamaño del orificio			Número de pieza
metros	pies	No.	milímetros	pulgadas	
610	2.000	41	2,44	0,0960	D503776
915	3.000	42	2,37	0,0935	D503777
1.680	5.500	43	2,26	0,0890	D503778
2.135	7.000	44	2,18	0,0860	58719
2.745	9.000	45	2,08	0,0820	D503779
3.200	10.500	46	2,06	0,0810	D503780

Tabla 1

## Instalación

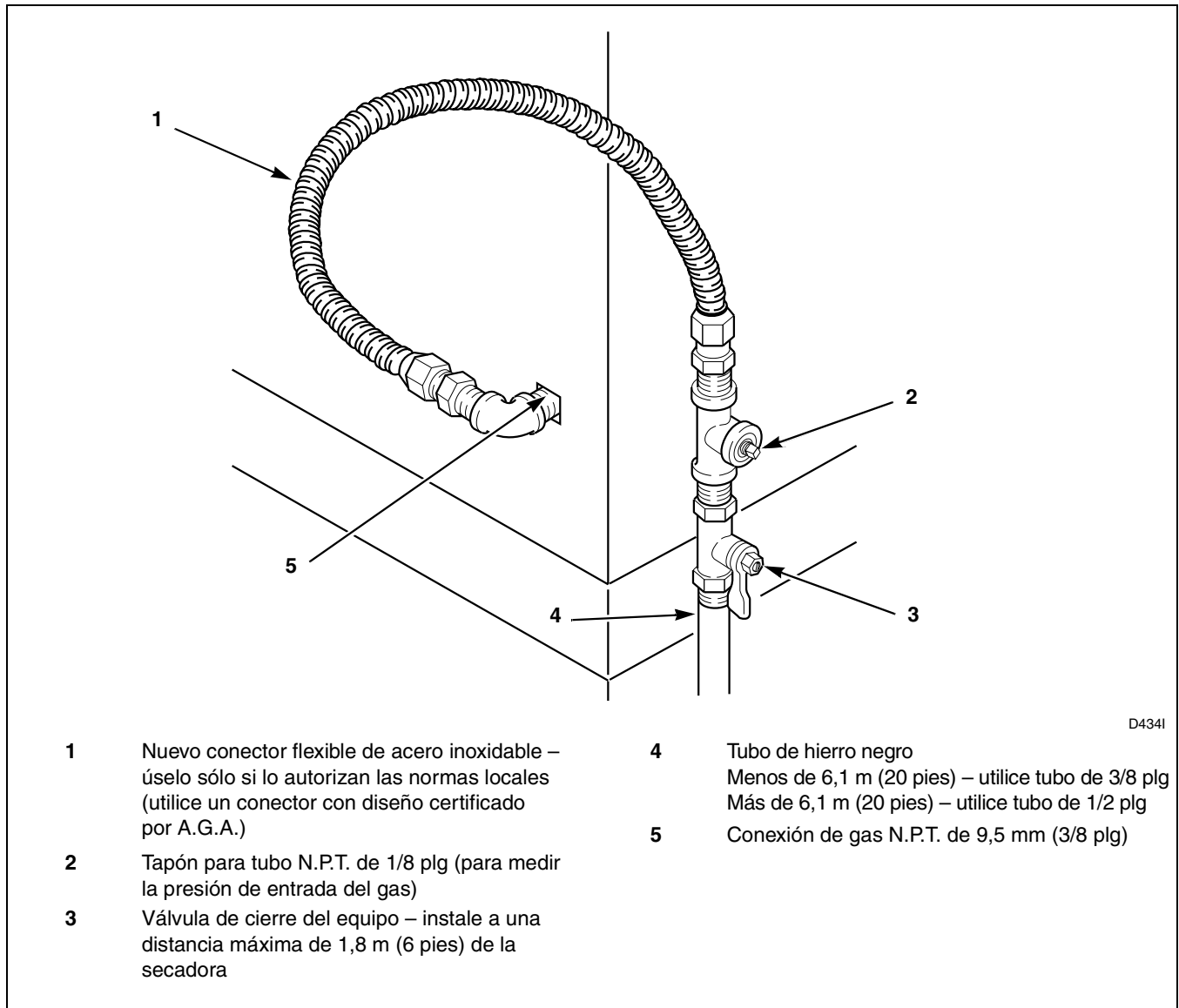


Figura 38

## Requisitos de suministro de agua

	<b>ADVERTENCIA</b>
<p>En ciertos casos, puede acumularse gas hidrógeno en el sistema de agua caliente si el agua no ha sido utilizada durante dos semanas o más. <b>EL HIDRÓGENO ES UN GAS EXPLOSIVO.</b> Si no se ha utilizado el sistema de agua caliente durante este lapso de tiempo, antes de usar la lavadora abra los grifos de agua caliente y deje que el agua fluya durante varios minutos. De esta manera se liberará el gas hidrógeno acumulado. Este gas es inflamable. No fume ni use una llama abierta durante este procedimiento.</p>	
W029SC	

**NOTA:** Los grifos de suministro de agua deben entrar en uniones hembra estándar de 19,1 mm (3/4 plg) para mangueras de jardín. **NO USE CONEXIONES DE GANCHO O DE DESLIZAMIENTO.**

**NOTA:** Debe tenerse un fácil acceso a los grifos de suministro de agua para poder cerrarlos cuando no se esté utilizando la lavadora.

### Temperatura del agua

#### Fría:

Se recomienda una temperatura para el agua fría entre 16° y 27° centígrados (60° y 80° Fahrenheit).

#### Caliente:

Se recomienda una temperatura para el agua caliente entre 49° y 60° centígrados (120° y 140° Fahrenheit).

#### Tibia:

Es una mezcla de agua caliente y agua fría. (La temperatura del agua tibia depende de la temperatura del agua y de la presión de las tuberías de agua caliente y agua fría).

**IMPORTANTE:** Cierre los grifos de suministro de agua después de la revisión y demostración. El dueño de la unidad debe cerrar los grifos de suministro de agua siempre que no vaya a utilizarla por un período de tiempo prolongado.

**NOTA:** Pueden adquirirse mangueras de suministro de agua más largas (como equipo opcional con un costo adicional), si las mangueras (que vienen con la lavadora) no son lo suficientemente largas para la instalación. Pida sus mangueras de la manera siguiente:

Manguera de suministro No. 20617 (2,44 m) (8 pies)  
Manguera de suministro No. 20618 (3,05 m) (10 pies)

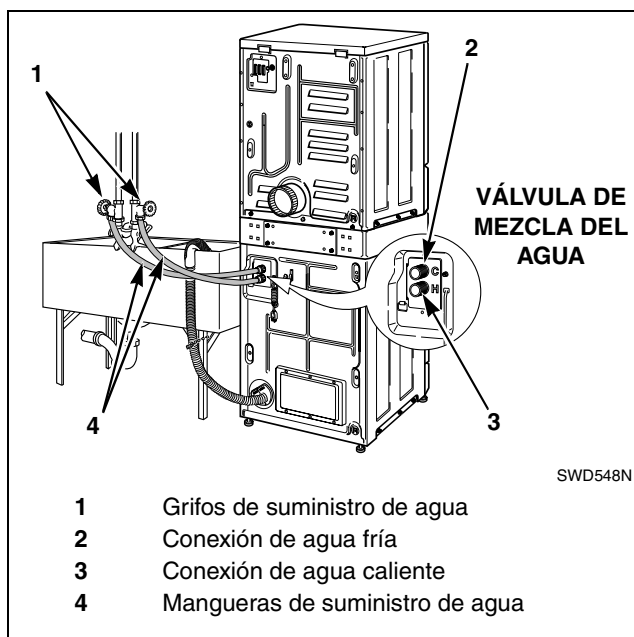


Figura 39

### Presión del agua

La presión estática del agua medida en el grifo deberá estar entre 20 libras por pulgada cuadrada la mínima y 120 libras por pulgada cuadrada la máxima (138 a 827 kPa).

**NOTA:** Una presión del agua menor a las 20 libras por pulgada cuadrada (138 kPa) causa un aumento del tiempo de llenado de la lavadora y es posible que no accione adecuadamente el surtidor de detergente.

### Tubos ascendentes

Quizá sea necesario instalar tubos ascendentes (o cojines de aire), si entra aire en los tubos y los mismos emiten un golpeteo cuando cesa el suministro de agua. Los tubos ascendentes son más eficaces cuando se instalan lo más cerca posible de los grifos de suministro de agua (consulte la Figura 40).

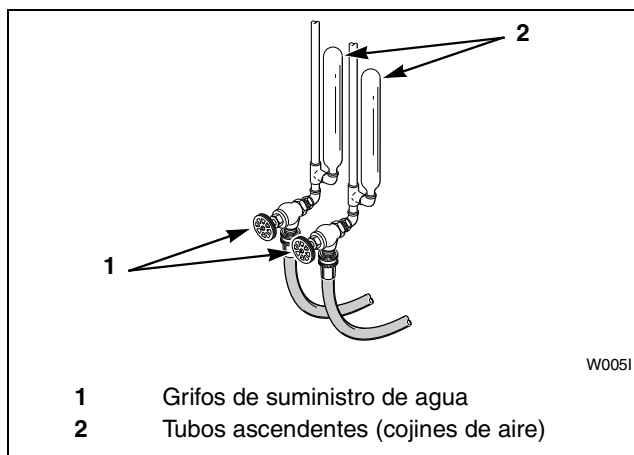


Figura 40

## Instalación

### Requisitos del lugar

Seleccione un área donde el piso sea firme.

La unidad no debe instalarse o colocarse en un área donde esté expuesta al agua o a la intemperie.

Las patas de nivelación pueden ajustarse desde la parte interna de la unidad con una llave de cubo profundo de 7/8 plg. Las cuatro patas deben descansar firmemente sobre el piso, de manera que el peso de la unidad quede distribuido uniformemente. La unidad no debe cojear y ha de ser nivelada, no solo en sentido lateral sino también de atrás hacia adelante.

**IMPORTANTE: NO deslice la unidad sobre el piso a menos que esté completamente armada. NO deslice la unidad más de 1,2 metros (4 pies) sobre el piso con las patas de nivelación extendidas, ya que tanto las patas como la base podrían dañarse.**

La unidad necesita un espacio libre y un suministro de aire suficientes para un funcionamiento y ventilación idóneos, y para una instalación y mantenimiento más fáciles. (El espacio libre mínimo aparece en la Figura 41).

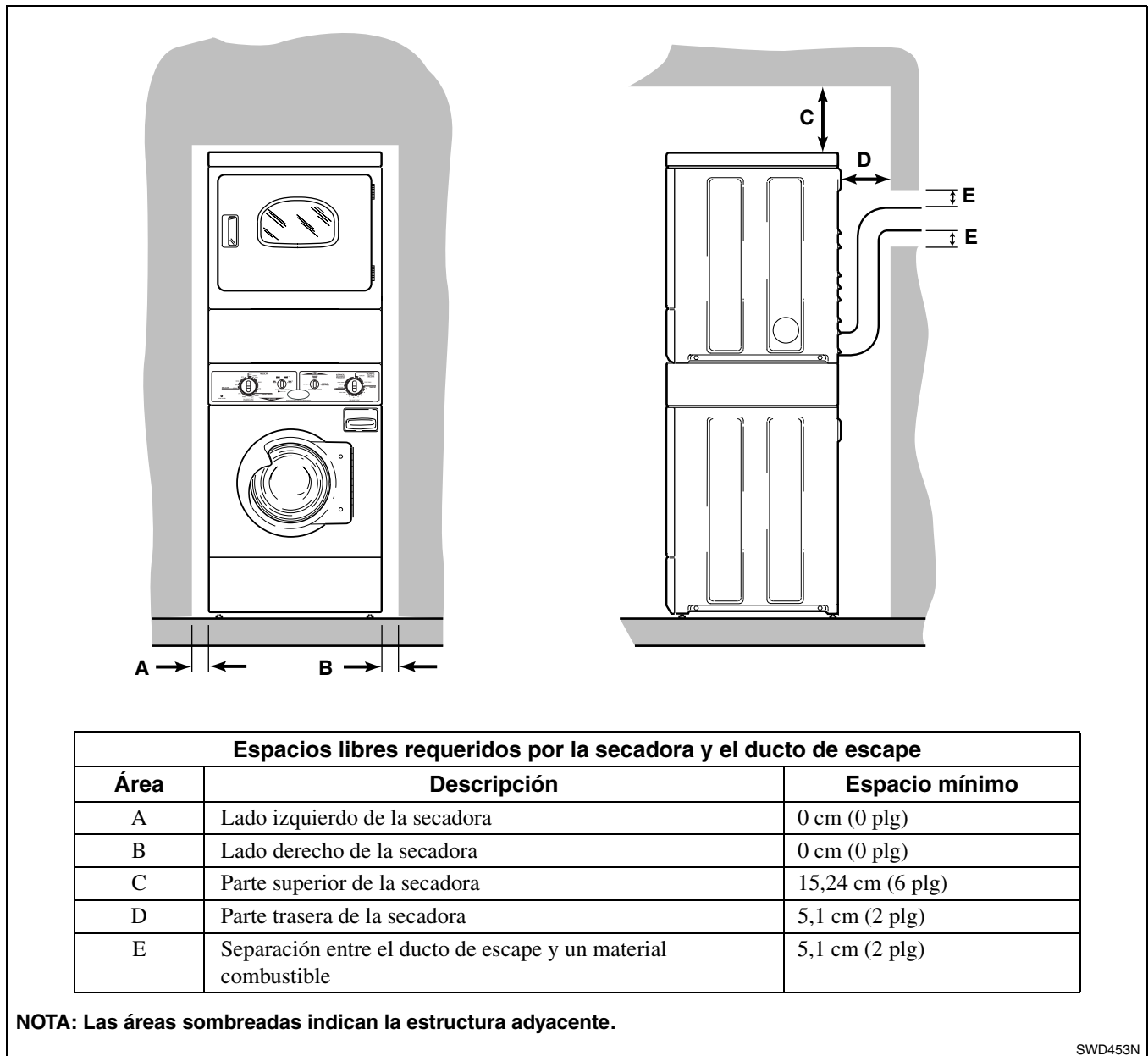



Figura 41

## Requisitos del sistema de escape de la secadora

	<b>ADVERTENCIA</b>
<p>La secadora de ropa produce pelusa combustible. Para disminuir el riesgo de incendio y la acumulación de gas combustible, el escape de la secadora <b>DEBERÁ</b> salir al exterior.</p> <p style="text-align: right;">W116SR2</p>	
<p>Este aparato de gas contiene o produce un compuesto o compuestos químicos que pueden causar la muerte o enfermedades graves y que al Estado de California le consta que causan cáncer, defectos de nacimiento u otros daños del sistema reproductor. Para disminuir el riesgo de las sustancias presentes en el combustible o de la combustión del combustible, asegúrese de que este aparato se instale, opere y mantenga según las instrucciones de este manual.</p> <p style="text-align: right;">W115SR1</p>	
<p>Para reducir el riesgo de un incendio y la acumulación de gases combustibles, <b>NO</b> deje que el escape de aire de la secadora vaya hacia un pozo de ventana, un conducto de ventilación de gas, una chimenea, o un área cerrada, mal ventilada, tales como un desván, una pared, el techo, el sótano del edificio o algún lugar oculto de un edificio.</p> <p style="text-align: right;">W045SR3</p>	
<p>Para disminuir el riesgo de incendios, <b>NO</b> use un conducto de plástico o papel metálico fino para eliminar el escape de la secadora.</p> <p style="text-align: right;">W354SR2</p>	

### Materiales del sistema de escape

Los materiales del sistema de escape no se suministran con la unidad.

El ducto de escape deberá tener 10,2 cm (4 plg) de diámetro y no tener ningún tipo de obstrucción. Se recomienda un ducto metálico rígido. También puede utilizarse un ducto metálico flexible fabricado con un material que no sea combustible. **No utilice** conductos plásticos o conductos delgados metálicos, ya que provocan un funcionamiento deficiente de la secadora y recogen pelusas, lo que podría constituir riesgo de incendio.

Nunca instale el ducto flexible en espacios ocultos, como por ejemplo una pared o el techo.

**NO UTILICE** tornillos autorroscantes u otro tipo de piezas de unión que sobresalgan por la parte interior del ducto y que puedan captar pelusas y reducir la eficiencia del sistema de escape. Asegure con cinta adhesiva para conductos todas las uniones entre secciones del conducto.

Descripción	N/P conjunto	Puede obtenerse localmente
Ducto de escape (4 plg de diámetro)	No disponible	Sí
Ducto de metal flexible (4 plg de diámetro)	521P3	Sí
Tapas abisagradas para intemperie equipadas con resortes (4 plg)	No disponible	Sí
Conjunto de escape direccional	528P3	No
Cinta	No disponible	Sí

**NOTA:** Los conjuntos de piezas antes descritos son materiales opcionales del sistema de escape, disponibles a un costo adicional.

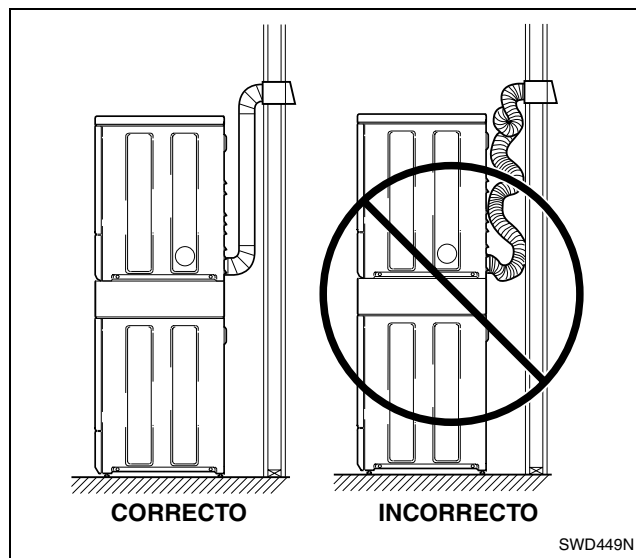


Figura 42

## Instalación

### Requisitos de aire de reposición

Es importante que la sala de lavandería cuente con suficiente aire de reposición para la(s) secadora(s). Una secadora expulsa 220 pies cúbicos por minuto (medidos en la parte trasera de la secadora) por lo que deberá suministrarse suficiente aire de reposición para reemplazar el aire expulsado por la secadora.

### Qué hacer y qué no hacer

#### Correcto

- Suministrar el volumen de aire adecuado para satisfacer los requisitos de aire de ventilación, de secado y de combustión de la secadora a gas.

**NOTA: Cada cilindro de secadora deberá contar con una abertura sin obstrucciones de 260 cm<sup>2</sup> (40 pulgadas cuadradas) para entrada de aire de reposición.**

- Las viviendas eficientes en el consumo de energía eléctrica por tener niveles bajos de filtración de aire deberán equiparse con un intercambiador de aire que pueda adaptarse a las necesidades de aire de reposición en la sala de lavandería. Estos dispositivos pueden adquirirse a través del contratista de construcción del inmueble o a través de proveedores de materiales de construcción.

#### Incorrecto

- Extraer el aire de reposición de un recinto donde se encuentre un calentador de agua operado con gas.
- Extraer el aire de reposición de una sala de tintorería o un salón de belleza (barbería/ peluquería).

### Dirección del escape

El escape de la secadora puede expulsarse hacia el exterior por la parte trasera, izquierda o derecha de la secadora. **EXCEPCIÓN: Las secadoras a gas no pueden tener aberturas de escape en la parte izquierda, debido a que allí se encuentra la caja del quemador.**

La unidad sale de la fábrica lista para que se le instale el sistema de escape en la parte trasera. **No requiere piezas adicionales.**

Puede instalarse el sistema de escape de la secadora por los lados utilizando el conjunto de piezas para el sistema de escape direccional 528P3, disponible como equipo adicional a un costo adicional.

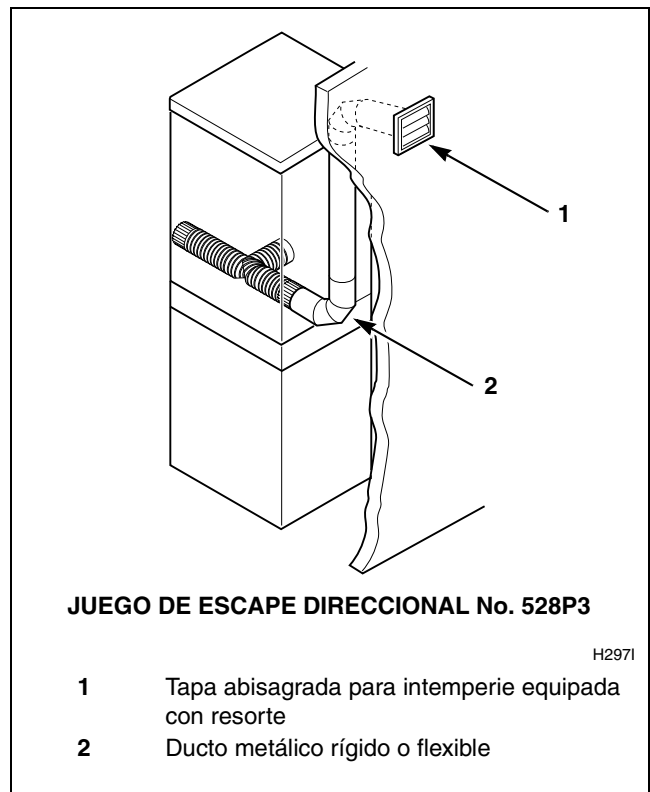


Figura 43



### Sistema de escape

**IMPORTANTE:** Mantenga el ducto de escape lo más corto posible.

**NOTA:** Asegúrese de que los ductos viejos sean limpiados antes de instalar la secadora nueva.

La *Tabla 2* indica las longitudes máximas recomendadas del sistema de escape para obtener resultados óptimos durante el secado.

Para evitar la entrada de partículas del exterior cuando la secadora no está funcionando, el extremo exterior de la tubería de escape debe tener una tapa abisagrada para intemperie equipada con resorte (adquiérala localmente).

**NOTA:** La tapa para intemperie debe instalarse a una altura de por lo menos 30,5 cm (12 plg) sobre el suelo. En instalaciones donde es posible la caída de una gran cantidad de nieve se requerirán alturas mayores.

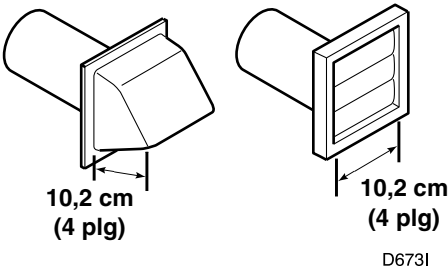
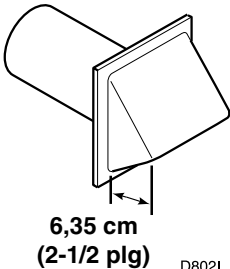
Cantidad de codos de 90°	Tipo de tapa para intemperie	
	Modelo sugerido	Use únicamente con instalaciones cortas
	 <p>10,2 cm (4 plg)</p> <p>10,2 cm (4 plg) D6731</p>	 <p>6,35 cm (2-1/2 plg) D8021</p>
<b>Longitud máxima del ducto metálico rígido de 10,2 cm (4 plg) de diámetro</b>		
0	19,8 m (65 pies)	16,8 m (55 pies)
1	16,8 m (55 pies)	14,3 m (47 pies)
2	14,3 m (47 pies)	12,5 m (41 pies)
3	11,0 m (36 pies)	9,1 m (30 pies)
4	8,5 m (28 pies)	6,7 m (22 pies)
<b>Longitud máxima del ducto metálico flexible de 10,2 cm (4 plg) de diámetro</b>		
0	13,7 m (45 pies)	10,7 m (35 pies)
1	10,7 m (35 pies)	8,2 m (27 pies)
2	9,1 m (30 pies)	6,4 m (21 pies)
3	7,6 m (25 pies)	5,2 m (17 pies)
4	6,1 m (20 pies)	4,5 m (15 pies)
<b>NOTA: Reste 1,8 m (6 pies) por cada codo adicional.</b>		

Tabla 2

## Instalación

### Mantenimiento del sistema de escape

Después de utilizar la secadora durante un año, debe inspeccionarse el interior de la misma y el sistema de escape y limpiarlos si es necesario. En lo sucesivo, revise y limpie el ducto de escape cada uno o dos años, según sea necesario. Debe hacer revisar la tapa para intemperie frecuentemente para asegurarse de que el mecanismo articulado se mueve libremente, no está bloqueado y no hay nada apoyado al mismo. Este mantenimiento debe ser realizado por personal calificado.

 **ADVERTENCIA**

**Para reducir el peligro de descarga eléctrica, desconecte el suministro eléctrico a la secadora antes de limpiarla.**

W043SR1

Para expulsar el escape en lugares de difícil acceso, puede instalarse el Conjunto de ducto de escape metálico flexible 521P3 como equipo opcional con un costo adicional. El conjunto consta de dos piezas que pueden conectarse por separado a la secadora y al tomacorriente de pared. Una vez fijadas ambas piezas, la unidad puede colocarse nuevamente en la posición adecuada.

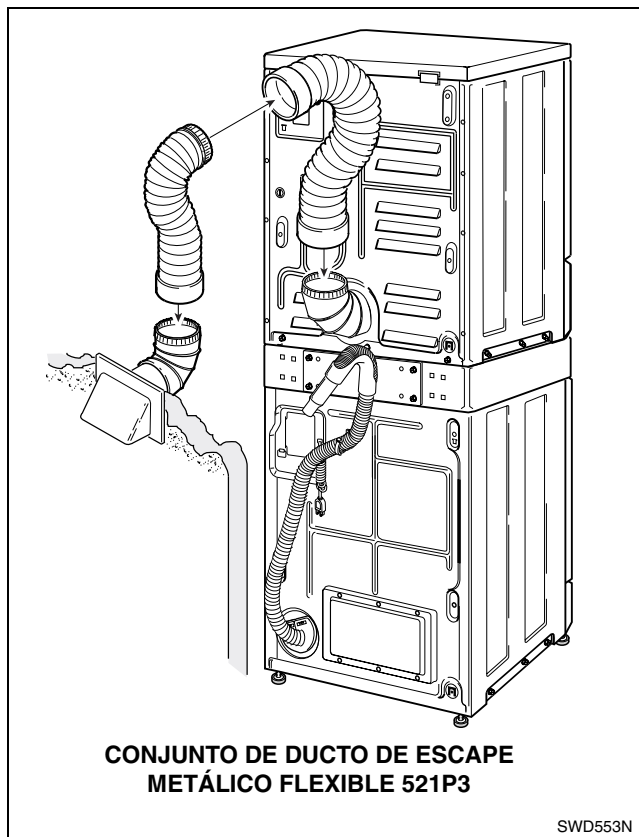


Figura 44

### Flujo de aire de la secadora

Para funcionar adecuadamente, la secadora debe contar con el flujo de aire apropiado. El adecuado flujo de aire puede determinarse midiendo la presión estática.

La presión estática del ducto de escape de la secadora no debe ser mayor a la que se indica en la *Figura 45*. (Revise la presión con la secadora funcionando sin carga de ropa).

**NOTA: La presión puede medirse colocando un manómetro en el ducto de escape a aproximadamente 61 cm (2 pies) de la secadora. Consulte la *Figura 45*.**

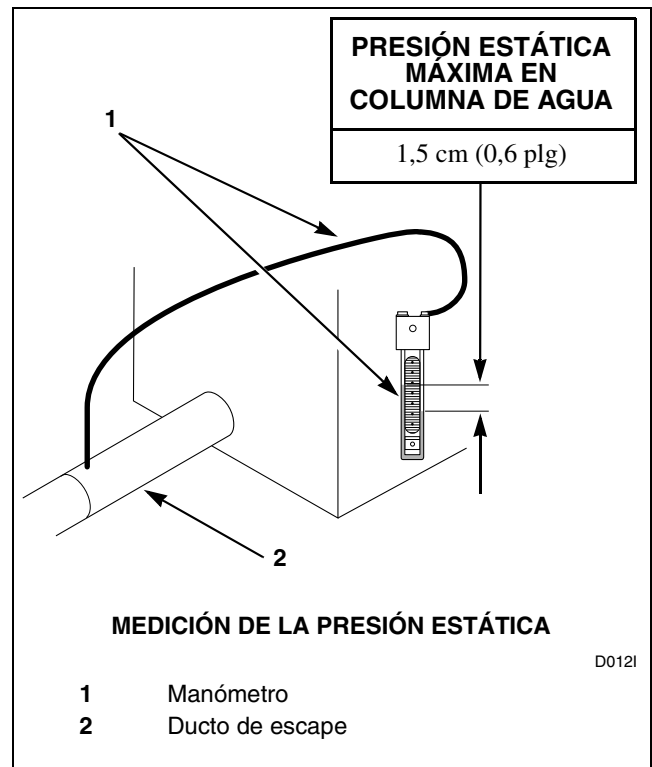


Figura 45

**Información de referencia**

Alliance Laundry Systems  
Shepard Street  
P.O. Box 990  
Ripon, WI 54971-0990  
U.S.A.

Fecha de compra \_\_\_\_\_

Número de modelo \_\_\_\_\_ Número de serie \_\_\_\_\_

Nombre del distribuidor \_\_\_\_\_

Dirección del distribuidor \_\_\_\_\_ Teléfono \_\_\_\_\_

Agencia de servicio \_\_\_\_\_

Dirección de la agencia de servicio \_\_\_\_\_ Teléfono \_\_\_\_\_

**NOTA: Registre la información anterior y guarde su recibo de compra. Los números de modelo y de serie aparecen en la placa.**

# Installer Checklist

Fast Track for Installing the Stacked Washer and Dryer

(Refer to the manual for more detailed information)

## Lista de comprobación del instalador

Guía rápida para instalar la lavadora y secadora de montaje vertical

(consulte el manual para una información más detallada)

**1**

- Position Unit Near Area of Installation.
- Coloque la unidad cerca del área de instalación.

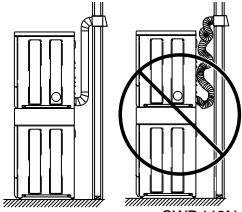


SWD443N

CHECK/REVISADO

**6**

- Connect Dryer Exhaust System.
- Conecte el sistema de escape de la secadora.

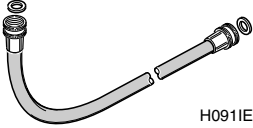


SWD449N

CHECK/REVISADO

**2**

- Connect Water Inlet Hoses.
- Conecte las mangueras de suministro de agua.

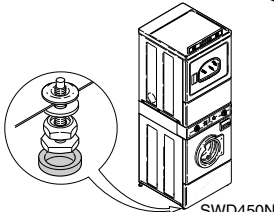


H0911E0A

CHECK/REVISADO

**7**

- Position and Level the Unit.
- Coloque la unidad en su posición y nivéla.



SWD450N

CHECK/REVISADO

**3**

- Connect Drain Hose to Drain Receptacle.
- Conecte la manguera de desagüe en el receptáculo de desagüe.

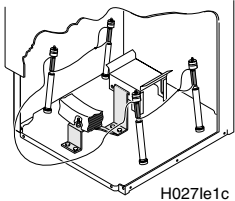


SWD548N

CHECK/REVISADO

**8**

- Remove the Shock Sleeves and Shipping Brace.
- Quite los manguitos de amortiguador y el tirante de sujeción.

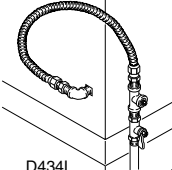


H0271e1c

CHECK/REVISADO

**4** - Gas Only  
Para secadoras a gas solamente

- Connect Gas Supply Pipe.
- Check for Gas Leaks.
- Conecte el tubo de suministro de gas.
- Revise que no haya fugas de gas.

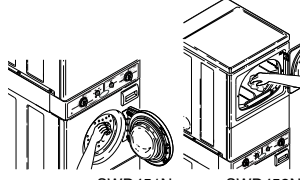


D434I

CHECK/REVISADO

**9**

- Wipe Out Inside of Washer and Dryer.
- Limpie el interior de los tambores de la lavadora y la secadora.

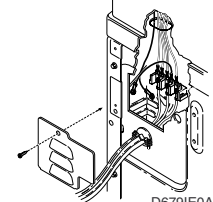


SWD451N SWD452N

CHECK/REVISADO

**5** - Electric Only  
Para secadoras eléctricas solamente

- Connect Electrical Cords.
- Conecte los cordones eléctricos.

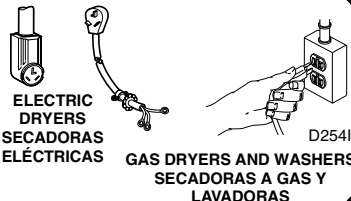


D6791E0A

CHECK/REVISADO

**10**

- Plug In Washer and Dryer.
- Enchufe la lavadora y la secadora.



ELECTRIC DRYERS SECADORAS ELÉCTRICAS  
GAS DRYERS AND WASHERS SECADORAS A GAS Y LAVADORAS  
D254I

CHECK/REVISADO