

# Product Information

**Subject** Dimensions of the washers with forward tilting

**Use With** Installation/Operation/Maintenance manual for High spin industrial washer extractors 33-40-55-80-100-120 kg / 75-90-125-180-230-275 lbs / 335-400-520-800-1000-1200 L

**The following Figure 3, Figure 4 and Table 3, Table 4 replace existing Figure 3, Figure 4 and Table 3, Table 4, found in Installation/Operation/Maintenance manual D1627.**

\* - applicable for all language versions

## 40 kg / 90 lb. / 400 L Models with forward tilting (on request)

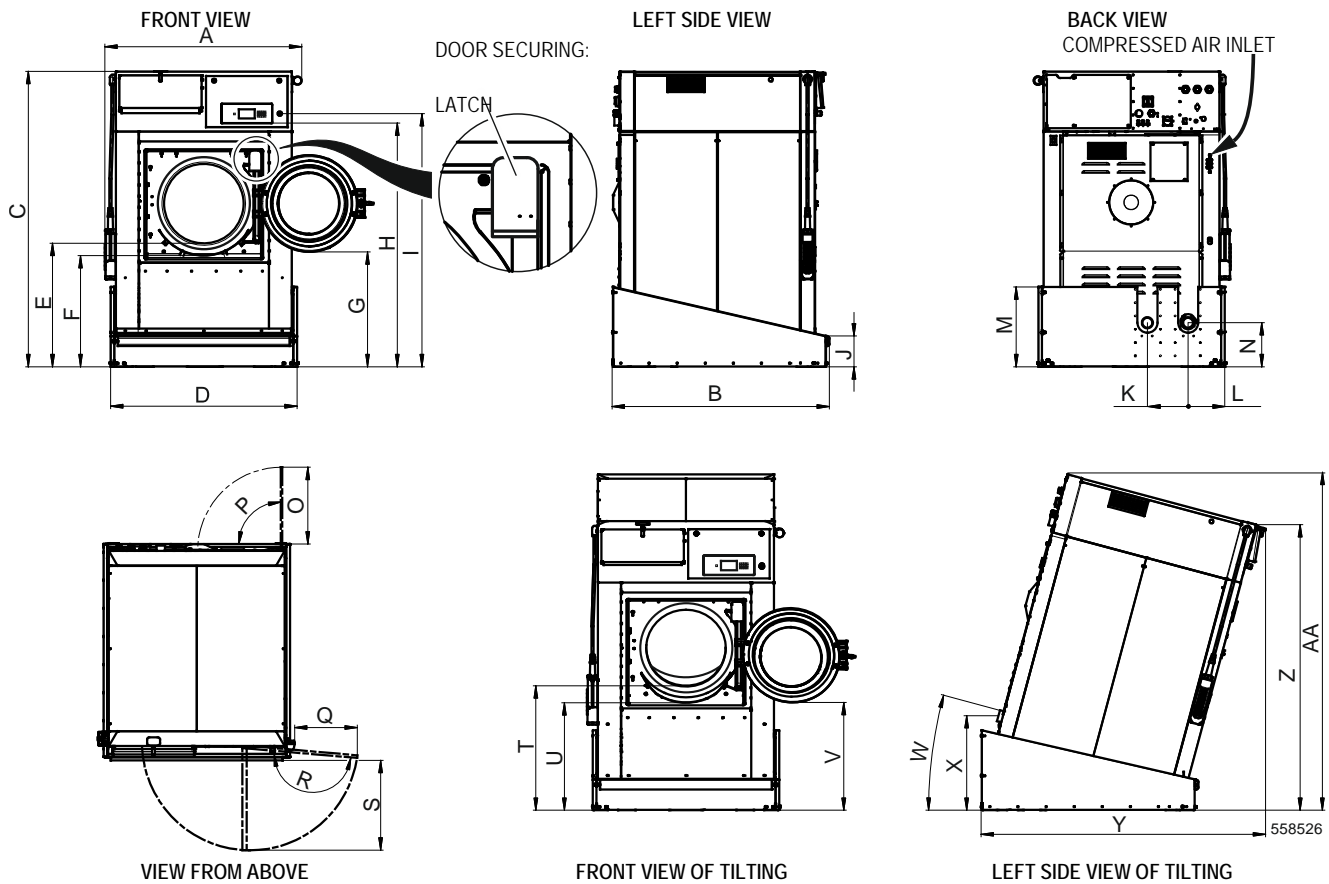


Figure 3

Machine	kg / lb / L	40 / 90 / 400	Machine	kg / lb / L	40 / 90 / 400
A	mm / inch	1330 / 52.36	O	mm / inch	520 / 20.47
B	mm / inch	1463 / 57.60	P		90°
C	mm / inch	2100 / 82.68	Q	mm / inch	425 / 16.73
D	mm / inch	1260 / 49.61	R		175°
E - WITHOUT LOAD	mm / inch	980 / 38.58	S	mm / inch	596 / 23.46
F	mm / inch	895 / 35.24	T	mm / inch	975 / 38.39
G	mm / inch	920 / 36.22	U	mm / inch	865 / 34.06
H	mm / inch	1745 / 68.70	V	mm / inch	868 / 34.17
I	mm / inch	1898 / 74.72	W		15°
J	mm / inch	229 / 9.02	X	mm / inch	736 / 28.98
K	mm / inch	275 / 10.83	Y	mm / inch	1937 / 76.26
L	mm / inch	248 / 9.76	Z	mm / inch	2002 / 78.82
M	mm / inch	613 / 24.13	AA	mm / inch	2342 / 92.20
N	mm / inch	398 / 15.67			

NOTE: Tolerance  $\pm 10\text{mm}$

Table 3

# 55 kg / 125 lb. / 520 L Models with forward tilting (on request)

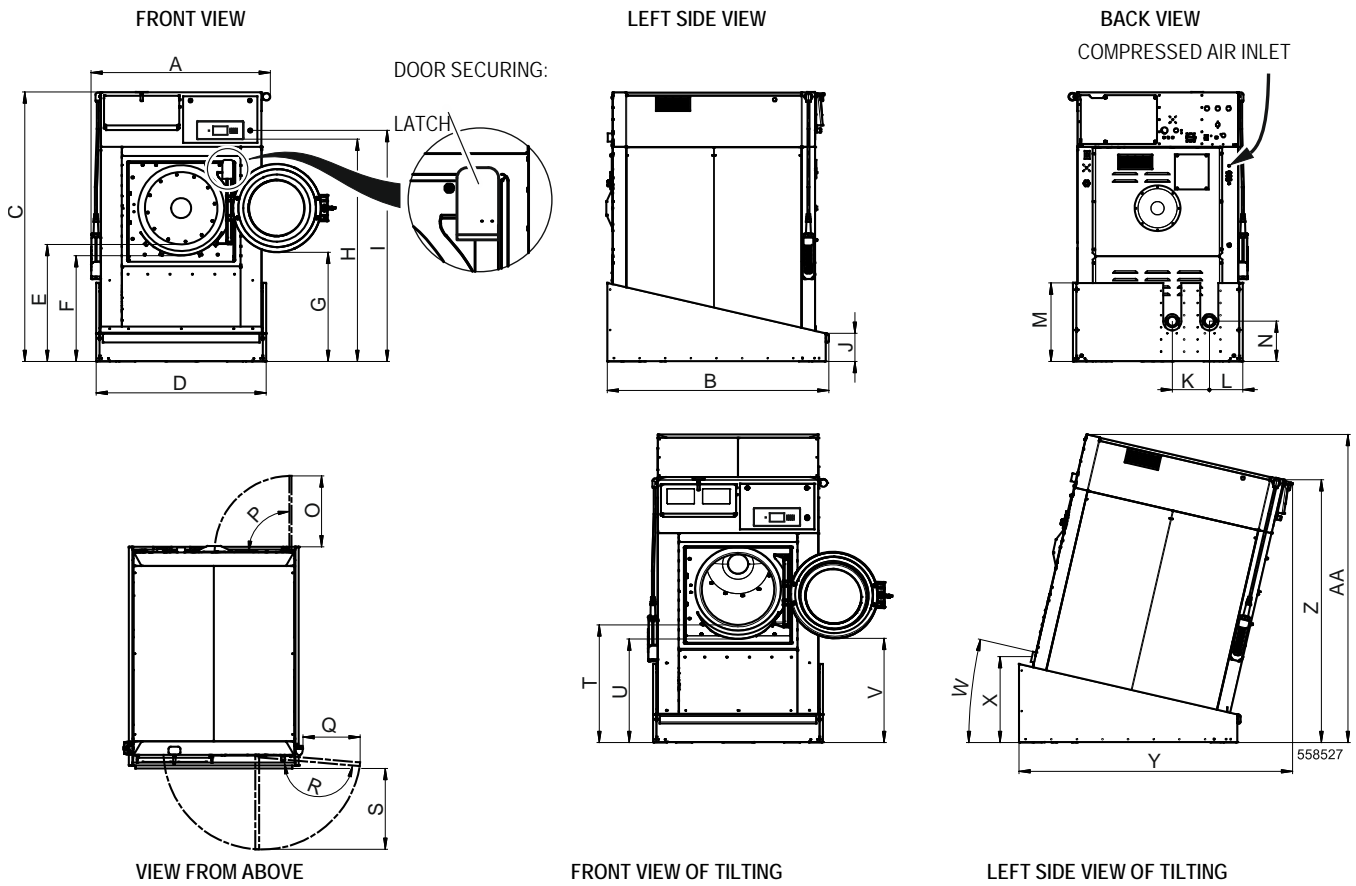


Figure 4

Machine	kg / lb / L	55 / 125 / 520
A	mm / inch	1330 / 52.36
B	mm / inch	1645 / 64.76
C	mm / inch	2100 / 82.68
D	mm / inch	1260 / 49.61
E - WITHOUT LOAD	mm / inch	980 / 38.58
F	mm / inch	895 / 35.24
G	mm / inch	920 / 36.22
H	mm / inch	1745 / 68.70
I	mm / inch	1898 / 74.72
J	mm / inch	229 / 9.02
K	mm / inch	275 / 10.83
L	mm / inch	248 / 9.76
M	mm / inch	662 / 26.06
N	mm / inch	398 / 15.67

NOTE: Tolerance  $\pm$  10mm

Machine	kg / lb / L	55 / 125 / 520
O	mm / inch	520 / 20.47
P		90°
Q	mm / inch	425 / 16.73
R		175°
S	mm / inch	596 / 23.46
T	mm / inch	979 / 38.54
U	mm / inch	872 / 34.33
V	mm / inch	877 / 34.53
W		13°
X	mm / inch	733 / 28.86
Y	mm / inch	2054 / 80.87
Z	mm / inch	2046 / 80.55
AA	mm / inch	2380 / 93.70

Table 4