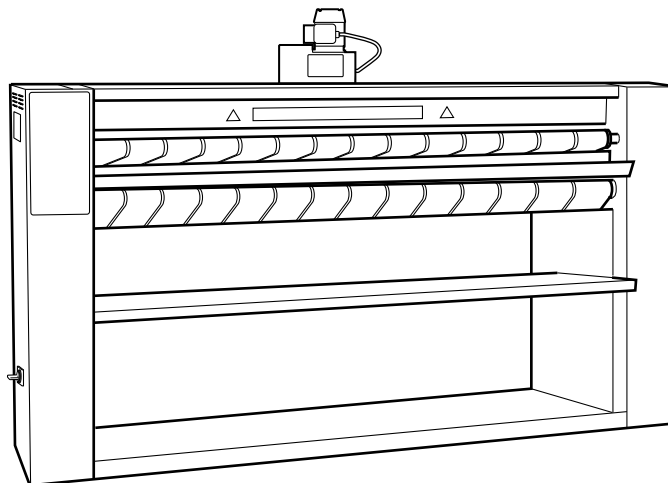


Roll Heated Flatwork Finisher

8 Inch (200 mm) Roll Heated Models

Refer to Page 3 for Model Numbers



FWF13C_1300575

Table of Contents

Title	Page
Parts Ordering Information.....	2
Serial Plate Location	2
Model Identification	3
Microprocessor Control.....	4
Electromechanical Control.....	6
Rolls	8
Main View	10
Main View - Details	12
Heating Elements and Fan Motor	14
Labels	16
Parts Index.....	19

© Copyright 2018, Alliance Laundry Systems LLC

All rights reserved. No part of the contents of this book may be reproduced or transmitted in any form or by any means without the expressed written consent of the publisher.

Parts Ordering Information

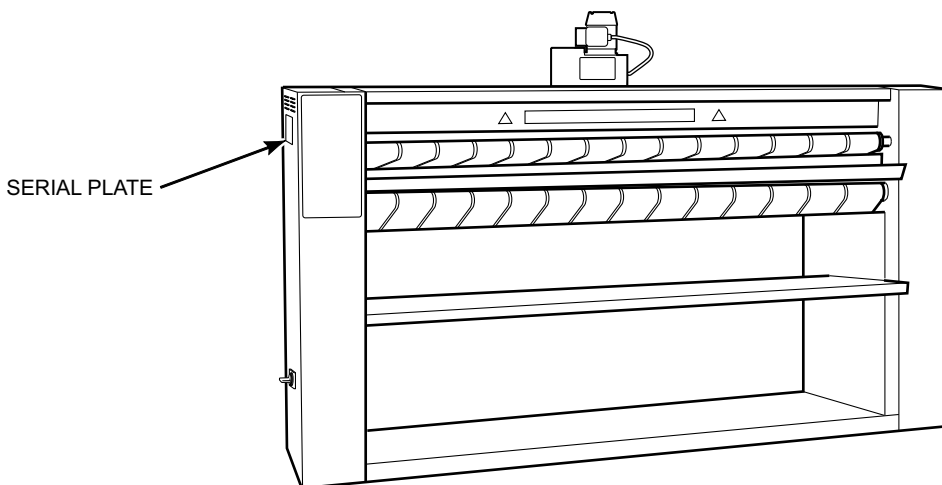
If literature or replacement parts are required, contact the source from whom the machine was purchased or contact Alliance Laundry Systems at (920) 748-3950 for the name and address of the nearest authorized parts distributor.

For technical assistance, call the number listed below:

(920) 748-3121 Ripon, Wisconsin

Serial Plate Location

When calling or writing about your product, be sure to mention model and serial numbers. Model and serial numbers are located on serial plate(s) as shown.



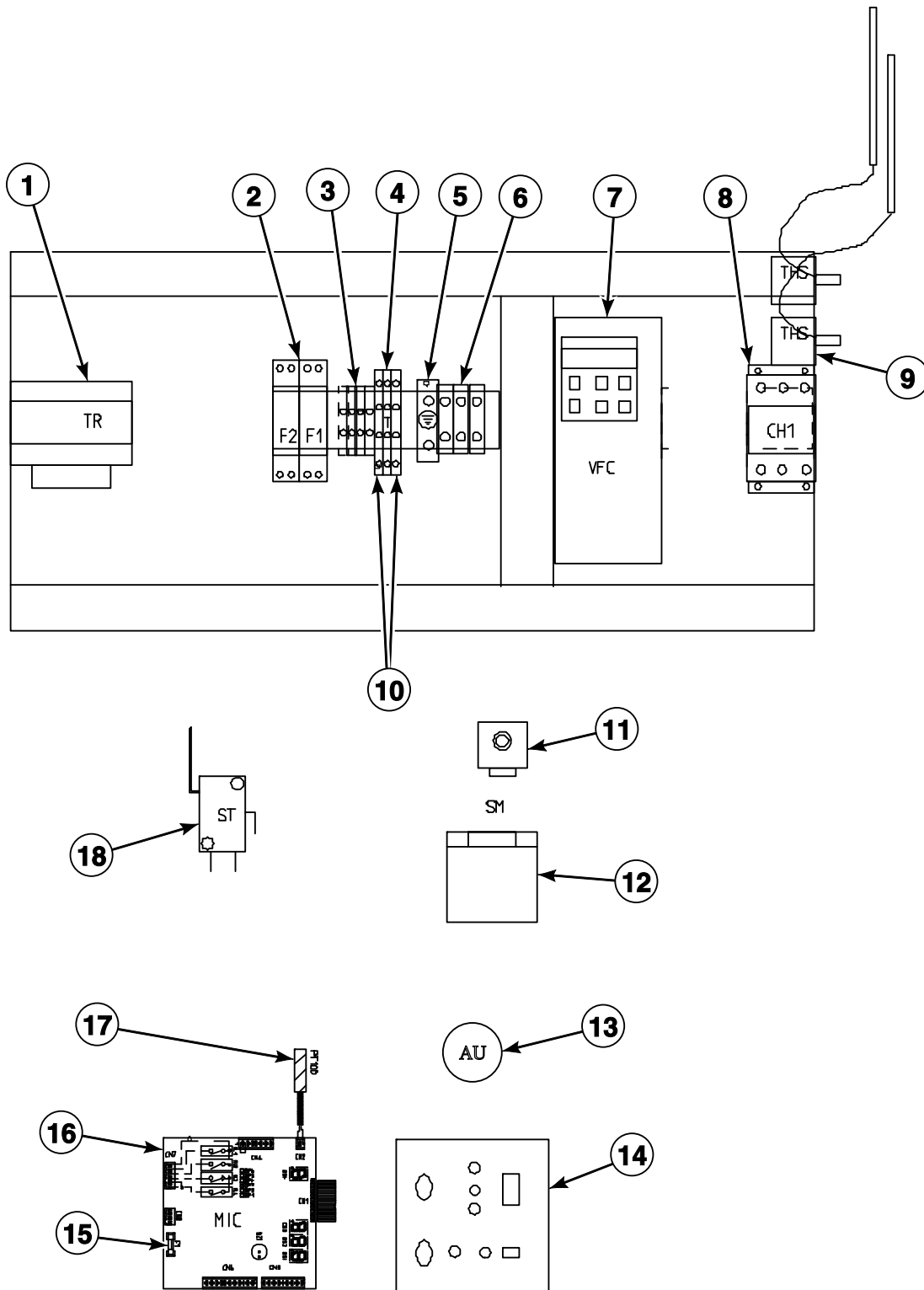
FWF13CA_1300575

Model Identification

Information in this manual is applicable to these roll heated flatwork finisher models:

UD08F055

Microprocessor Control



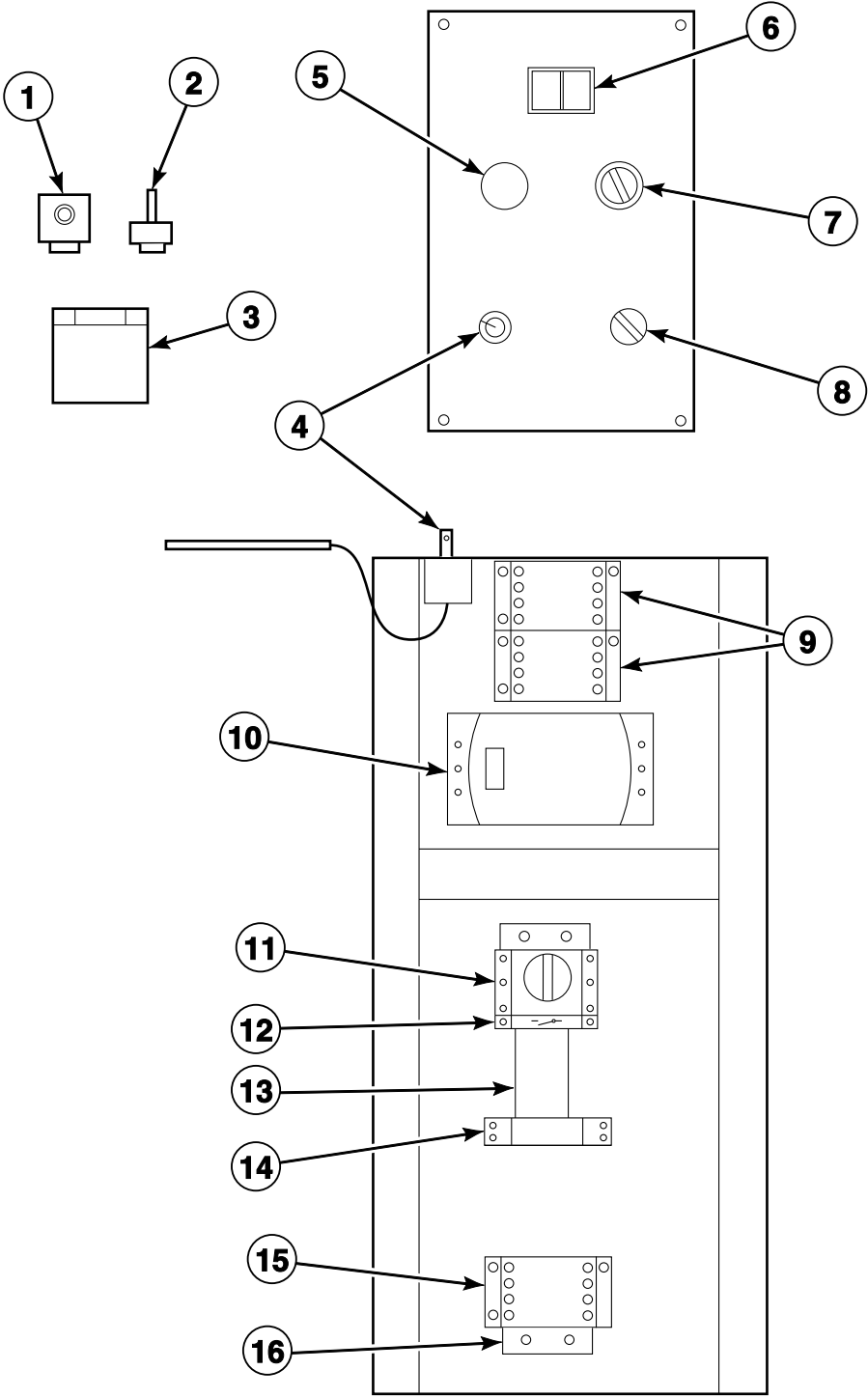
FWF212P_1300575

Microprocessor Control

REF	PART NO.	DESCRIPTION	COMMENTS
1	1300534P	Transformer	
2	1300529	Fuse Holder	
	1300531	Fuse	
3	1300021	Terminal Block	
4	1300555	Ground Terminal Block	
5	1301198	Ground Terminal Block	
6	1301199	Terminal Block	
7	1301182	Inverter Drive	
8	1300013	Heat Contactor	
9	1300079P	Thermostat	
10	1300557	Terminal Block	
11	1300044	Position Switch Head	
12	1300043	Position Switch Body	
13	44018701P	Emergency Stop Kit	Includes 44018701 Contact Block, 1300559 Emergency Switch and 44018801 Pushbutton
	44018701	Contact Block	
	1300559	Emergency Switch	
	44018801	Pushbutton	
14	1300526P	Control Panel	
15	1300547	Fuse	630 mA
16	1300527P	Printed Circuit Board	
17	1300565P	Temperature Sensor Package	Models starting 1/1/06
	N/A	Temperature Probe	Models through 12/31/05
18	1300521	Safety Microswitch	

N/A = Part no longer available

Electromechanical Control



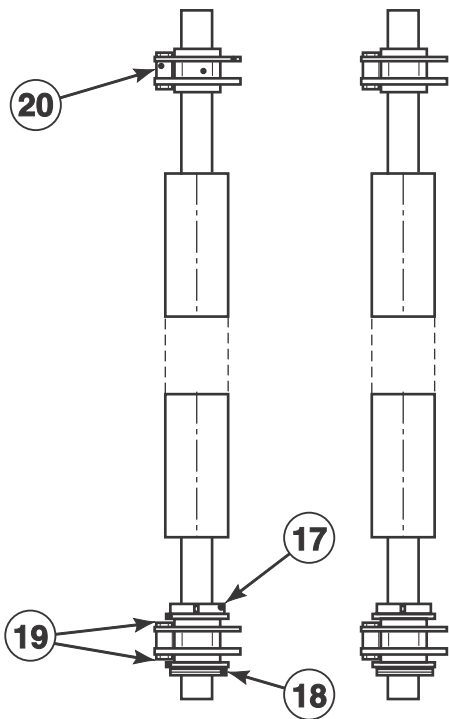
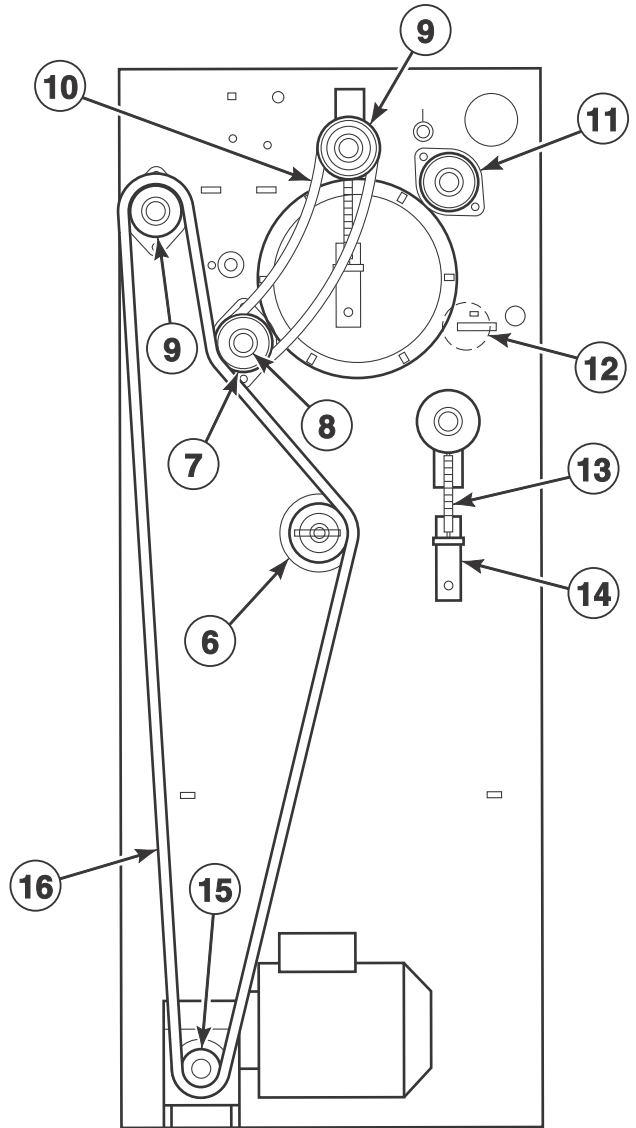
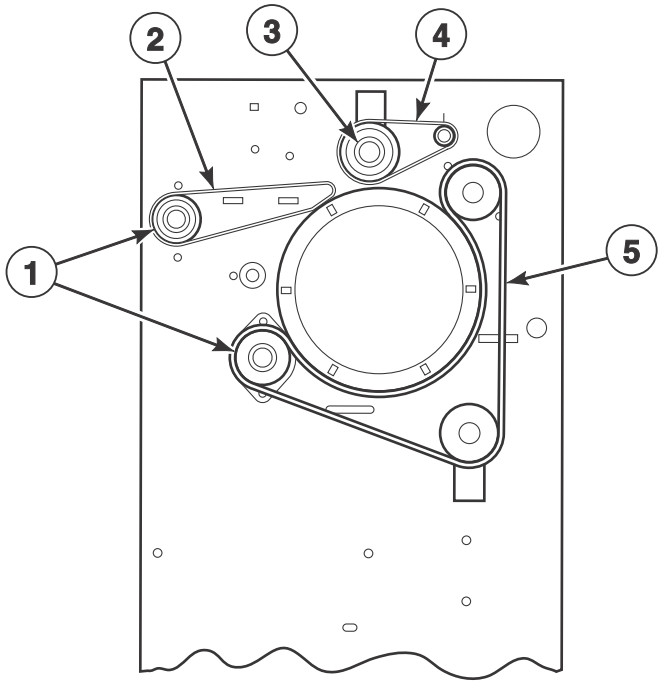
FWF12P_1300575

Electromechanical Control

REF	PART NO.	DESCRIPTION	COMMENTS
	1300885	Harness	CN7
1	1300044	Position Switch Head	
2	1300047	Finger Guard Head Switch	
3	1300043	Position Switch Body	
4	1300079P	Thermostat	
5	1300025	Heat Pilot Light	
6	44018701	Contact Block	
	1300039	Pushbutton Head	
7	1300041	Switch Body	
	1300040	Switch Head	
8	1300026	Speed Potentiometer	
9	1300013	Heat Contactor	
10	1301182	Inverter Drive	
11	1300049P	Main Switch Assembly	Complete (includes handle)
	1300051	Main Switch Body	
	1300048P	Main Switch	Switch only
12	1300050P	Neutral Terminal	
13	1300022	Terminal Block	
14	N/A	Fuse Holder	
	1300563	Fuse	
15	1300014	Contactor	
16	1300029	Ground Terminal	

N/A = Part no longer available

Rolls

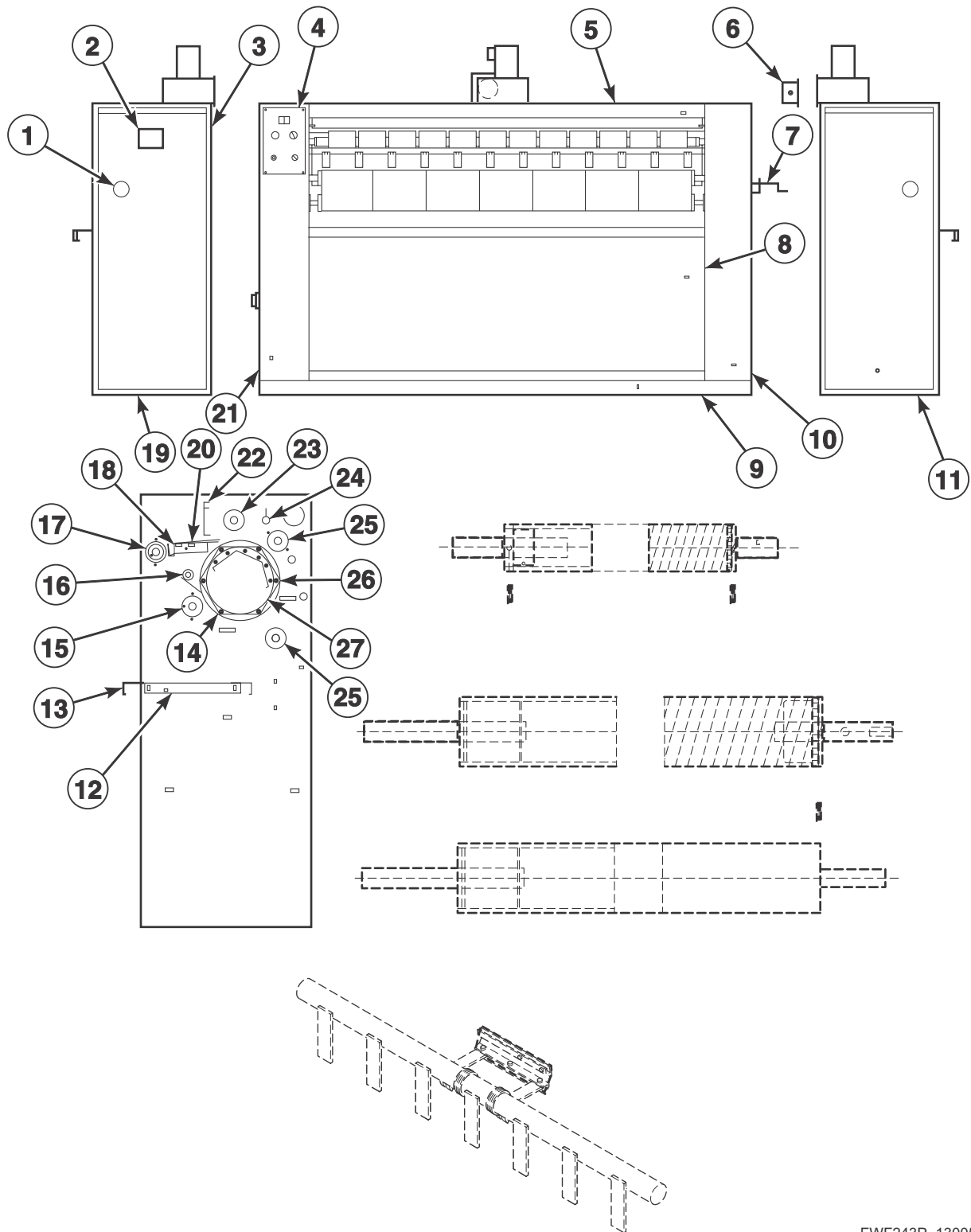


FWF135P_1300575

Rolls

REF	PART NO.	DESCRIPTION	COMMENTS
	1301133	Return Ribbon Pin	7 required
1	1300162	Roll Tape	Sold per meter; Use 6 meters for return ribbon roll and 4 meters for feed ribbon roll
2	1300160P	Feed Ribbon	4x16; 12 required
3	1300198P	Press Roll Pad	
4	1300165	Guide Tape	Sold per meter
5	1300186	Ironing Ribbon	7 required
6	1300880	Idler Sprocket	
7	1300089	Drive Roll Sprocket	
8	1300090	Press Roll Sprocket	
9	1300091	Press Roll Sprocket	
10	1300870P	Press Roll Drive Chain	
11	1300096P	Roll Bearing	Use M6 x 1 setscrews with bearing; Attach with M6 x 16 nut
12	1300081	Side Roll	
13	1300158	Tension Spring	
14	1300329	Tension Bracket	
15	1300549	Motor Pinion	
16	1300878P	Press Roll Chain	199 links
	1301205	Drive Chain	67 links
17	1300100	Collar	
18	1300157	Nut	
19	1300359	Washer	
20	1300092P	Tension Bearing	

Main View



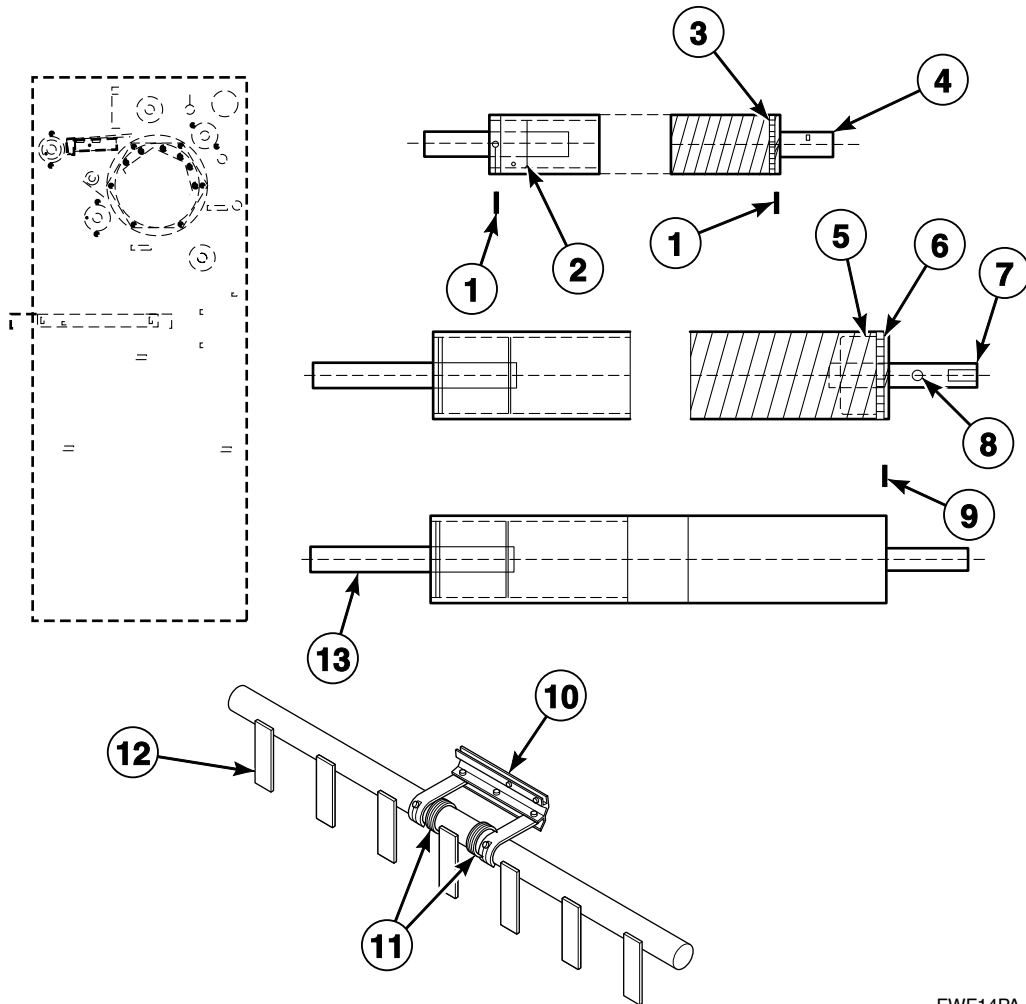
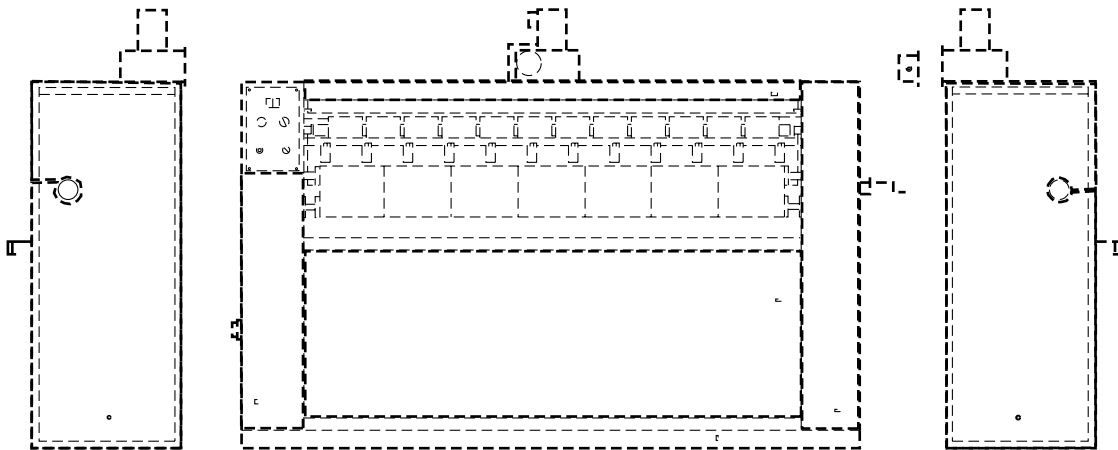
FWF243P_1300575

Main View

REF	PART NO.	DESCRIPTION	COMMENTS
1	1300103	Crank Handle Pivot	
	1300874	Safety Disc	
2	1300000	Nameplate Overlay	
	1300001	Nameplate Overlay	
	1300002	Nameplate Overlay	
3	1300264	Rear Panel	
4	N/A	Control Panel	
5	1300261P	Top Panel	
6	1300269	Blower Wheel	
7	1300094	Crank Handle	Models through 5/15/05
	1300114	Crank Handle	Models starting 5/15/05
8	N/A	Electrical Box	
9	1301061	Base	Non-CE models
10	1301058	Right Frame	
11	1301055	Left Side Panel	
12	1300268	Receiving Tray Bracket	
13	1301062	Receiving Tray	
14	N/A	Heated Roll	
15	1300361	Return Ribbon Roll	
16	N/A	Textile Scraper Rail	
17	N/A	Pick-Up Roll	
18	1300270	Bracket	
19	1301054	Right Side Panel	
20	1301059	Introduction Board	
21	1301057	Left Frame	
22	1300181	Spring	
	1301060	Finger Guard Shaft	
	1300259	Plate	
23	N/A	Pressure Roll	
24	1300352	Ribbon Guide	
25	N/A	Heated Roll	
26	1300265	Heating Element Clamp	
27	N/A	Heated Roll End	

N/A = Part no longer available

Main View - Details



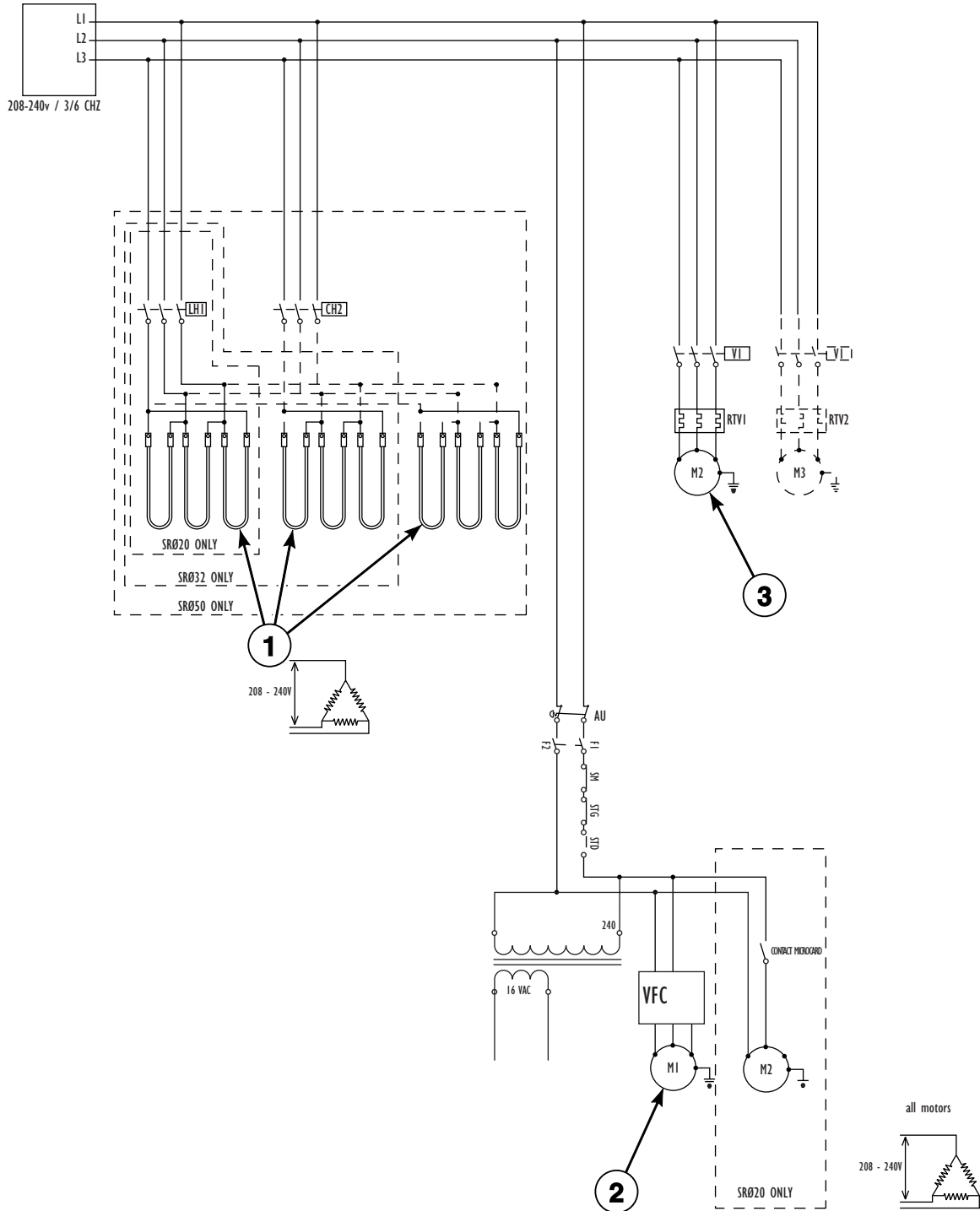
FWF14PA_1300575

Main View - Details

REF	PART NO.	DESCRIPTION	COMMENTS
1	1300176	Pick-Up Roll Roll Pin	
2	1300093	Pick-Up Roll End	
3	1300164	Clamp	
4	1300086	Pick Up Roll Shaft	
5	N/A	Roll	
6	1300163	Clamp	
7	1300102	Drive Roll Shaft	
8	1300168	Grease Fitting	Non-CE models
	1301120	Grease Fitting	CE models
9	1300159	Drive Roll Roll Pin	
10	1301116	Sensor	
11	1300202	Sensor Spring	
12	1300219P	Textile Scraper	Includes 2 of 1300511 Pop Rivets; 12 required through 12/31/03, 6 required starting 1/1/04
13	1300104	Shaft	

N/A = Part no longer available

Heating Elements and Fan Motor



FWF213P_1300575

Heating Elements and Fan Motor

REF	PART NO.	DESCRIPTION	COMMENTS
1	1300872	Heating Element	
2	1300027	Fan Motor	
	1301186	Fan Motor	Models with a 3 in the 12th position of the model number
3	1300881P	Cylinder Motor	

Labels



FWF148P_1300575

Labels

REF	PART NO.	DESCRIPTION	COMMENTS
1	D502511	Electrical Shock Label	
2	F200318200	Cover Decal	
3	M411815	Vent and Thimble Caution Label	
4	70360901	Belt Edging Warning Label	
5	D500316	Warning Label	
6	N/A	Hot Surface Warning Plate	
7	D501140	Natural Gas Notice Label	
8	M412238	Rotating Warning Sticker	

N/A = Part no longer available

Parts Index

B

Base	1301061	11
Belt Edging Warning Label	70360901	17
Blower Wheel	1300269	11
Bracket	1300270	11

C

Clamp	1300163	13
	1300164	13
Collar	1300100	9
Contact Block	44018701	5, 7
Contacto	1300014	7
Control Panel	1300526P	5
Cover Decal	F200318200	17
Crank Handle	1300094	11
	1300114	11
Crank Handle Pivot	1300103	11
Cylinder Motor	1300881P	15

D

Drive Chain	1301205	9
Drive Roll Roll Pin	1300159	13
Drive Roll Shaft	1300102	13
Drive Roll Sprocket	1300089	9

E

Electrical Shock Label	D502511	17
Emergency Stop Kit	44018701P	5
Emergency Switch	1300559	5

F

Fan Motor	1300027	15
	1301186	15
Feed Ribbon	1300160P	9
Finger Guard Head Switch	1300047	7
Finger Guard Shaft	1301060	11
Fuse	1300531	5
	1300547	5
	1300563	7
Fuse Holder	1300529	5

G

Grease Fitting	1300168	13
	1301120	13
Ground Terminal	1300029	7
Ground Terminal Block	1300555	5
	1301198	5
Guide Tape	1300165	9

H

Harness	1300885	7
Heat Contactor	1300013	5, 7
Heat Pilot Light	1300025	7
Heating Element	1300872	15
Heating Element Clamp	1300265	11

I

Idler Sprocket	1300880	9
Introduction Board	1301059	11
Inverter Drive	1301182	5, 7
Ironing Ribbon	1300186	9

N/A items do not appear in index.

L

Left Frame
1301057 11

Left Side Panel
1301055 11

M

Main Switch
1300048P 7

Main Switch Assembly
1300049P 7

Main Switch Body
1300051 7

Motor Pinion
1300549 9

N

Nameplate Overlay
1300000 11
1300001 11
1300002 11

Natural Gas Notice Label
D501140 17

Neutral Terminal
1300050P 7

Nut
1300157 9

P

Pick Up Roll Shaft
1300086 13

Pick-Up Roll End
1300093 13

Pick-Up Roll Roll Pin
1300176 13

Plate
1300259 11

Position Switch Body
1300043 5, 7

Position Switch Head
1300044 5, 7

Press Roll Chain
1300878P 9

Press Roll Drive Chain
1300870P 9

Press Roll Pad
1300198P 9

Press Roll Sprocket
1300090 9
1300091 9

Printed Circuit Board
1300527P 5

Pushbutton
44018801 5

Pushbutton Head
1300039 7

R

Rear Panel
1300264 11

Receiving Tray
1301062 11

Receiving Tray Bracket
1300268 11

Return Ribbon Pin
1301133 9

Return Ribbon Roll
1300361 11

Ribbon Guide
1300352 11

Right Frame
1301058 11

Right Side Panel
1301054 11

Roll Bearing
1300096P 9

Roll Tape
1300162 9

Rotating Warning Sticker
M412238 17

S

Safety Disc
1300874 11

Safety Microswitch
1300521 5

Sensor
1301116 13

Sensor Spring
1300202 13

Shaft
1300104 13

Side Roll
1300081 9

Speed Potentiometer
1300026 7

Spring
1300181 11

Switch Body
1300041 7

Switch Head
1300040 7

T

Temperature Sensor Package
1300565P 5

Tension Bearing
1300092P 9

Tension Bracket
1300329 9

N/A items do not appear in index.

Tension Spring	
1300158	9
Terminal Block	
1300021	5
1300022	7
1300557	5
1301199	5
Textile Scraper	
1300219P	13
Thermostat	
1300079P	5, 7
Top Panel	
1300261P	11
Transformer	
1300534P	5

V

Vent and Thimble Caution Label	
M411815	17

W

Warning Label	
D500316	17
Washer	
1300359	9
