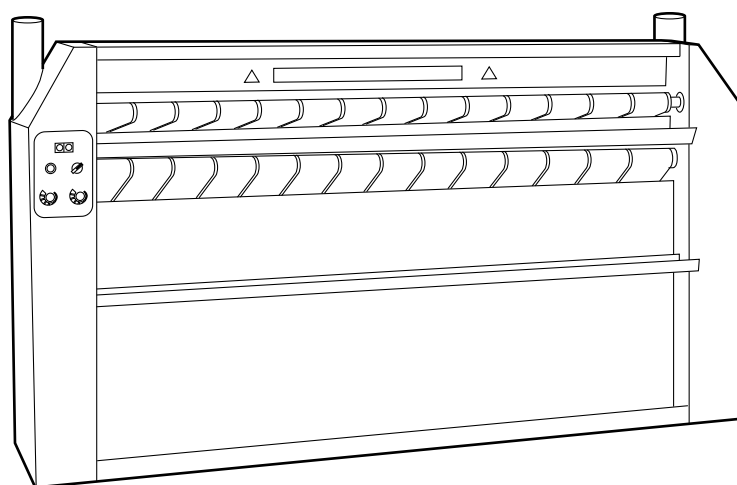


Roll Heated Flatwork Finisher

13 Inch (325 mm) Roll Heated Models
Refer to Page 3 for Model Numbers



FWF1N_1300576

Table of Contents

Title	Page
Parts Ordering Information.....	2
Serial Plate Location	2
Model Identification	3
Microprocessor Control - Electric Heat Models.....	4
Microprocessor Control - Gas Heat Models	6
Electromechanical Control - Electric Heat Models	8
Electromechanical Control - Gas Heat Models	10
Press Rolls.....	12
Rolls, Guide and Scrapers	14
Panels, Electrical Box and Receiving Tray (Drawing 1 of 2).....	16
Panels, Electrical Box and Receiving Tray (Drawing 2 of 2).....	18
Tension Bearing and Side Roller	20
Sprockets and Chain Tensioner.....	22
Heating Elements and Fan Motor - Electric Heat Models	24
Electric Heat Roll - Electric Heat Models	26
Burner and Exhaust - Gas Heat Models	28
Labels	30
Parts Index.....	33

© Copyright 2018, Alliance Laundry Systems LLC

All rights reserved. No part of the contents of this book may be reproduced or transmitted in any form or by any means without the expressed written consent of the publisher.

Parts Ordering Information

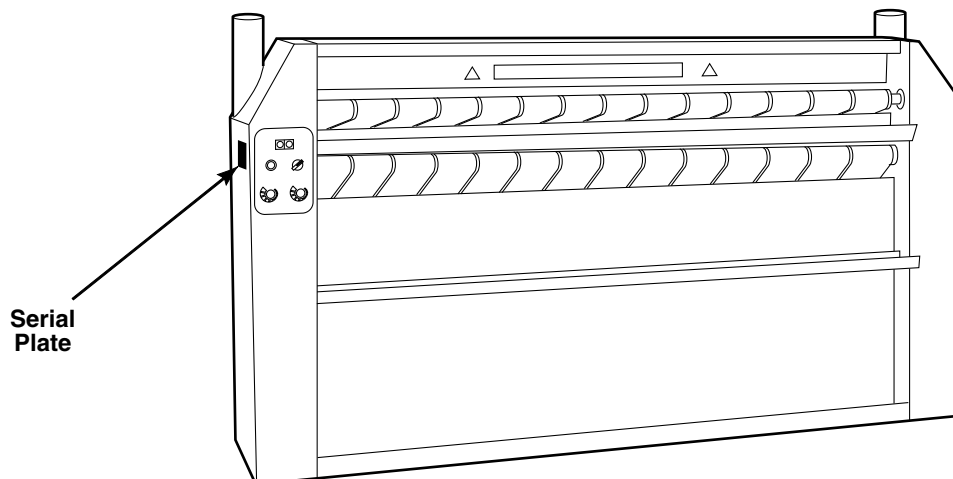
If literature or replacement parts are required, contact the source from whom the machine was purchased or contact Alliance Laundry Systems at (920) 748-3950 for the name and address of the nearest authorized parts distributor.

For technical assistance, call the number listed below:

(920) 748-3121 Ripon, Wisconsin

Serial Plate Location

When calling or writing about your product, be sure to mention model and serial numbers. Model and serial numbers are located on serial plate(s) as shown.



FWF2N_1300576

Model Identification

Information in this manual is applicable to these roll heated flatwork finisher models:

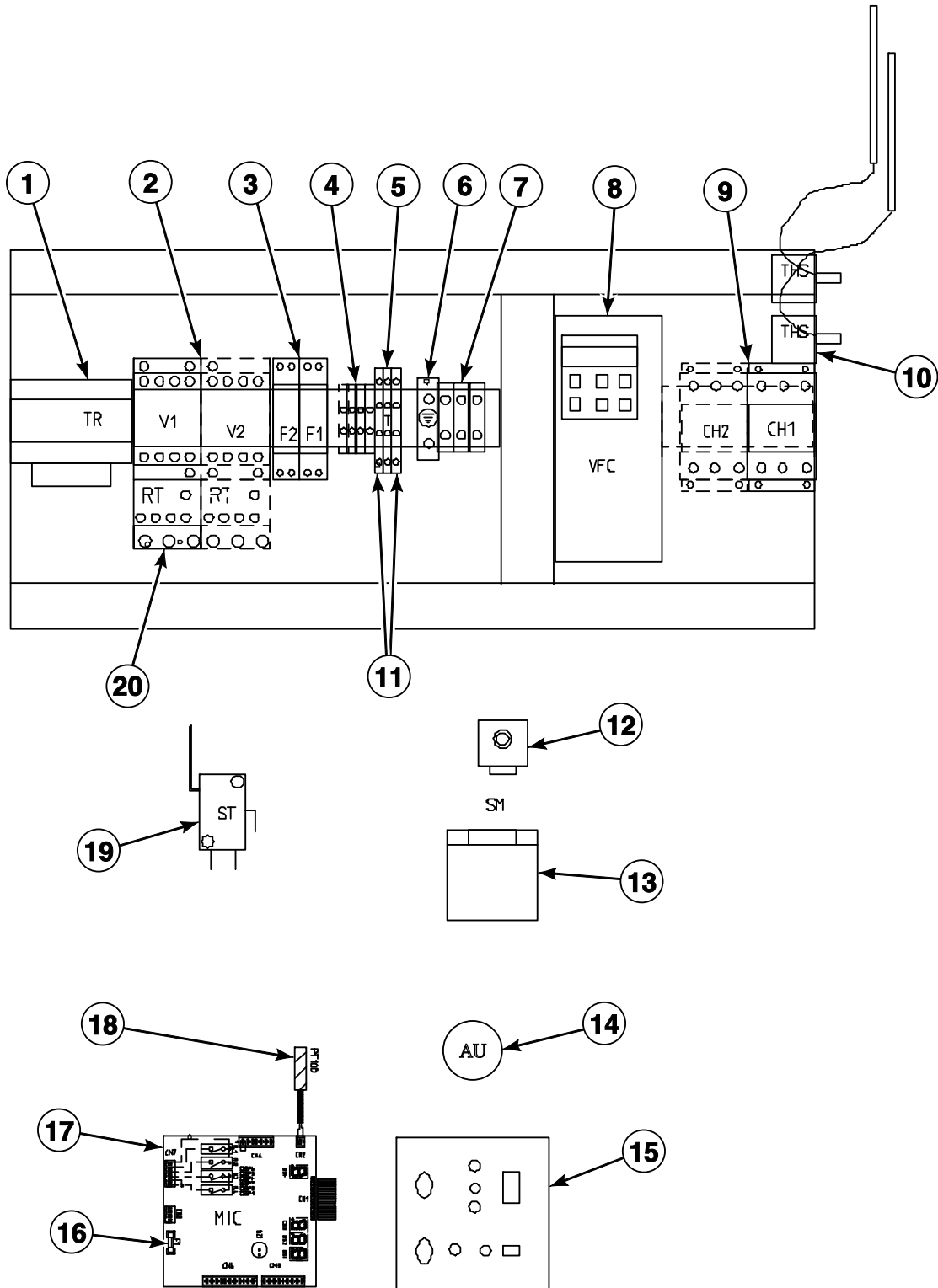
UD13F063

UD13F078

UD13F079

UD13F126

Microprocessor Control - Electric Heat Models



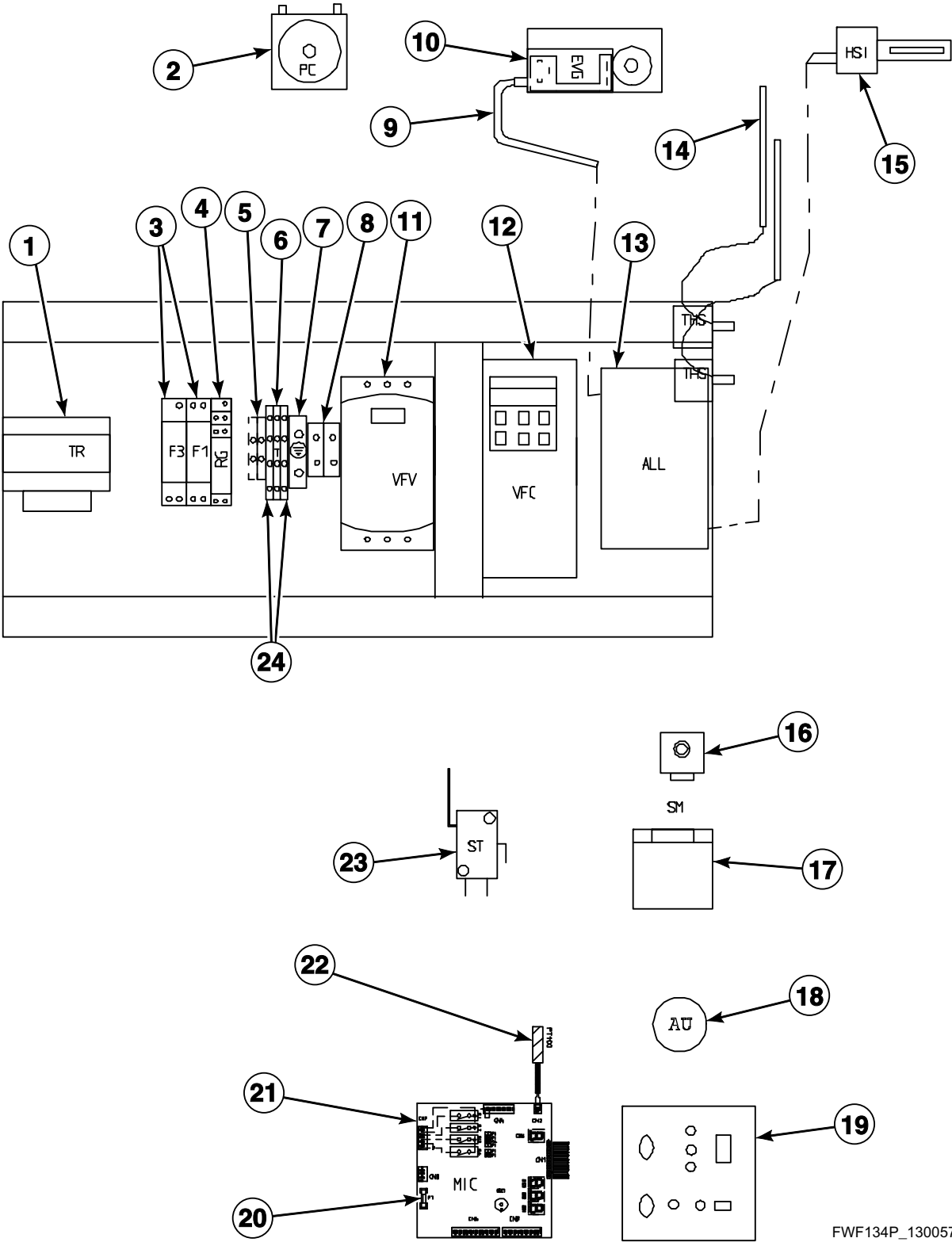
FWF133P_1300576

Microprocessor Control - Electric Heat Models

REF	PART NO.	DESCRIPTION	COMMENTS
1	1300534P	Transformer	
2	1300014	Contactora	
3	1300529	Fuse Holder	
	1300531	Fuse	
4	1300021	Terminal Block	
5	1300555	Ground Terminal Block	
6	N/A	Ground Terminal Block	
7	N/A	Terminal Block	
8	1300054-1	Fan Inverter	
9	1300012	Heat Contactora	
10	1300079P	Thermostat	
11	1300557	Terminal Block	
12	1300044	Position Switch Head	
13	1300043	Position Switch Body	
14	44018701P	Emergency Stop Kit	Includes 44018701 Contact Block, 1300559 Emergency Switch and 44018801 Pushbutton
	44018701	Contact Block	
	1300559	Emergency Switch	
	44018801	Pushbutton	
15	1300526P	Control Panel	
16	1300547	Fuse	630 mA
17	1300527P	Printed Circuit Board	
18	1300565P	Temperature Sensor Package	Models starting 1/1/06
	N/A	Temperature Probe	Models through 12/31/05
19	1300521	Safety Microswitch	
20	1300016	Thermal Relay	

N/A = Part no longer available

Microprocessor Control - Gas Heat Models



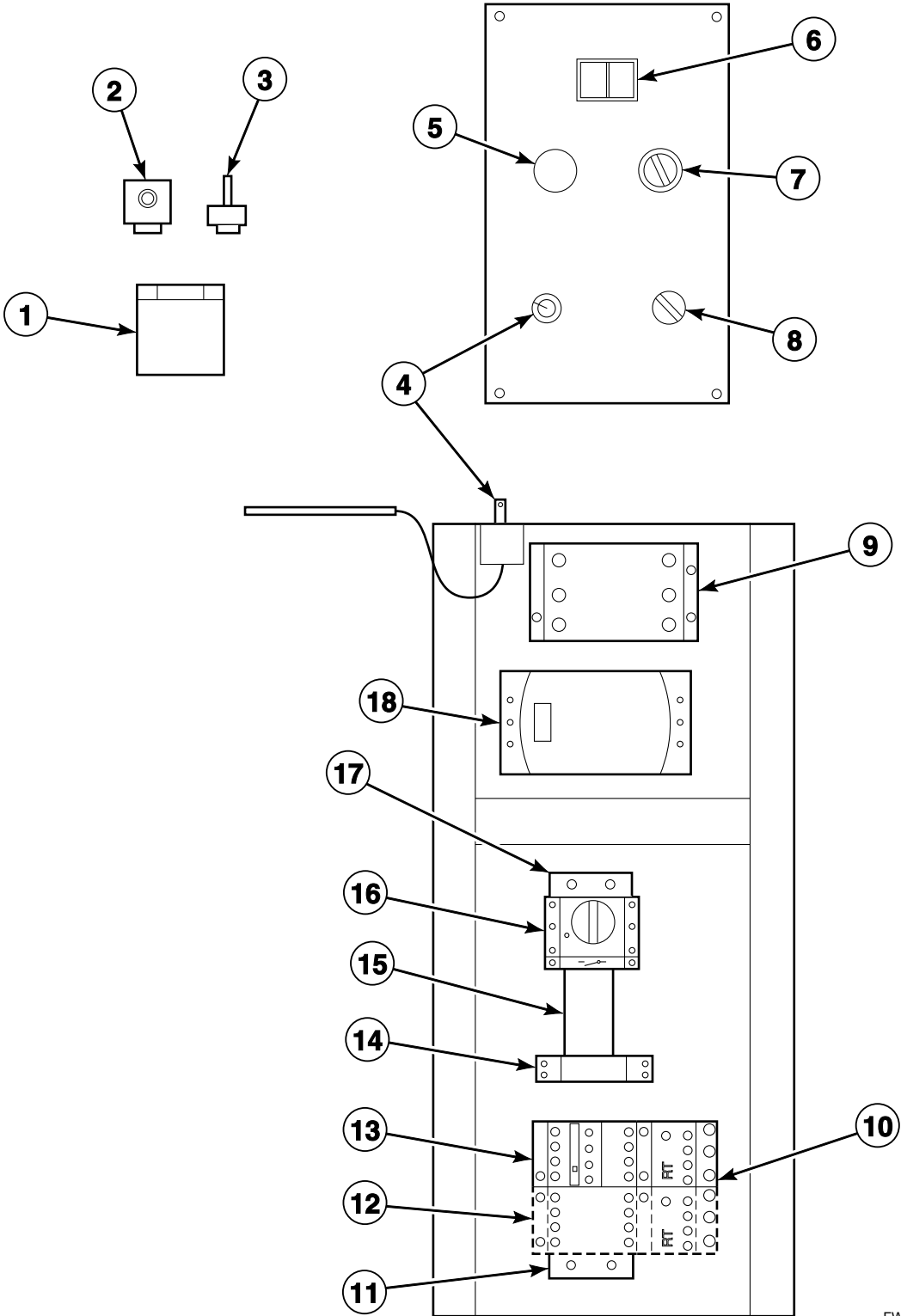
FWF134P_1300576

Microprocessor Control - Gas Heat Models

REF	PART NO.	DESCRIPTION	COMMENTS
	1300885	Harness	CN7; Models UD13F063, UD13F078 and UD13F079
	1301171	Wire	Models UD13F063, UD13F078 and UD13F079
	1301182	Inverter Drive	440 Volt/50 Hertz/3 Phase
1	1300522	Transformer	
2	1301202	Pressure Switch Kit	Set to 60PA
3	1300529	Fuse Holder	
	1300530	Fuse	F1; BAF-8
	1300533	Fuse	F3; BAF-2
4	1300525P	Gas Heat Contactor	
5	1300021	Terminal Block	
6	1300555	Ground Terminal Block	
7	N/A	Ground Terminal Block	
8	N/A	Terminal Block	
9	1300007	Gas Valve Harness	
10	1300518	Gas Valve	220 Volt (CE finishers)
	1300080	Gas Valve	24 Volt (U.S. finishers)
11	1300054-1	Fan Inverter	
12	1300054-1	Fan Inverter	
13	1300008	Ignition Control	24 Volt (U.S. finishers)
	1300520P	Ignition Control	220 Volt (CE finishers)
14	1300079P	Thermostat	
15	1300006P	Igniter	
16	1300044	Position Switch Head	For handle switch
17	1300043	Position Switch Body	For handle switch
18	44018701P	Emergency Stop Kit	Includes 44018701 Contact Block, 1300559 Emergency Switch and 44018801 Pushbutton
	44018701	Contact Block	
	1300559	Emergency Switch	
	44018801	Pushbutton	
19	1300526P	Control Panel	
20	1300547	Fuse	630 mA
21	1300527P	Printed Circuit Board	
22	1300565P	Temperature Sensor Package	Models starting 1/1/06
	N/A	Temperature Probe	Models through 12/31/05
23	1300521	Safety Microswitch	
24	1300557	Terminal Block	

N/A = Part no longer available

Electromechanical Control - Electric Heat Models



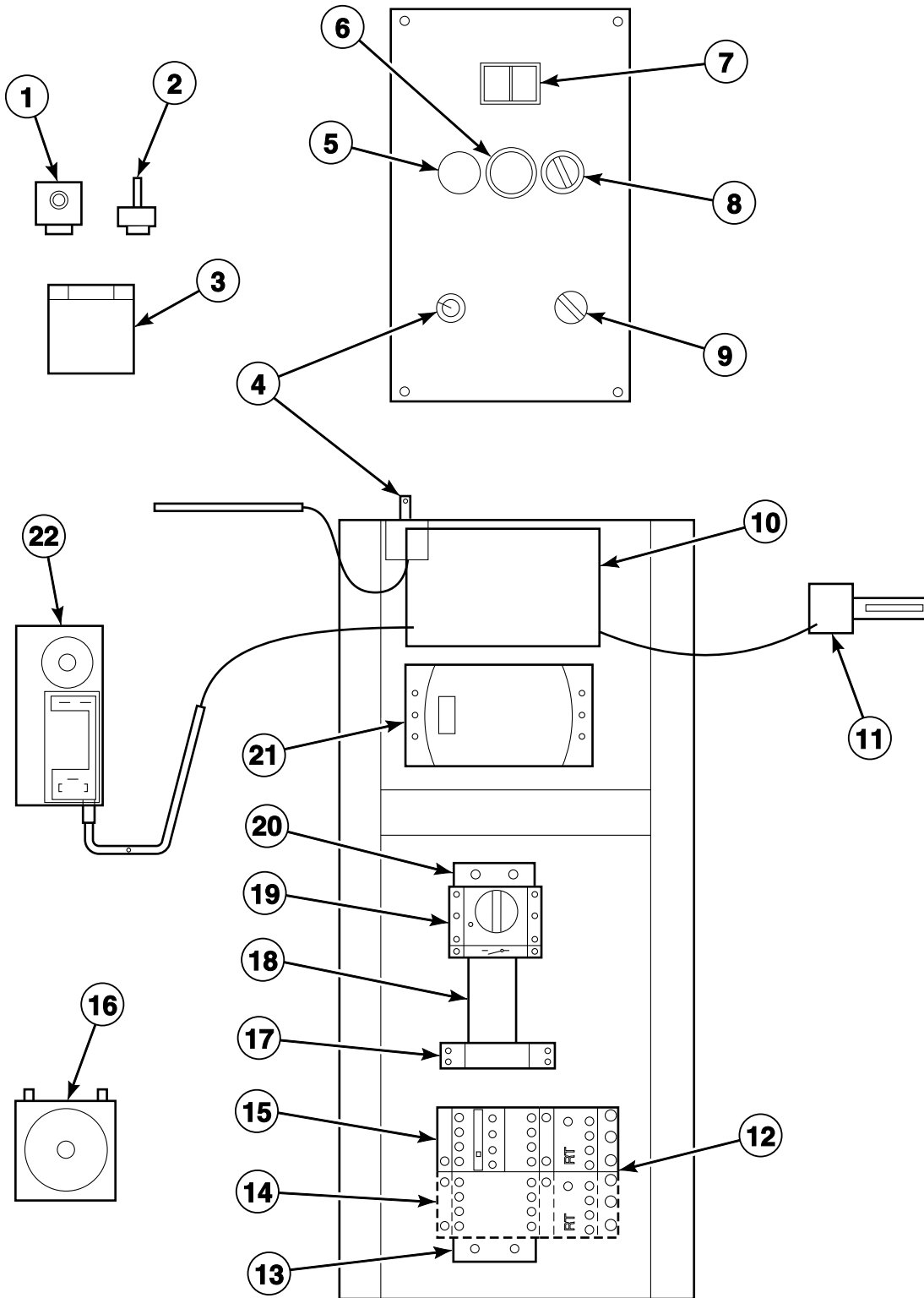
FWF118P_1300576

Electromechanical Control - Electric Heat Models

REF	PART NO.	DESCRIPTION	COMMENTS
	1300883	Transformer	
1	1300043	Position Switch Body	
2	1300044	Position Switch Head	
3	1300047	Finger Guard Head Switch	
4	1300079P	Thermostat	
5	1300025	Heat Pilot Light	
6	44018701	Contact Block	
	1300039	Pushbutton Head	
7	1300041	Switch Body	
	1300040	Switch Head	
8	1300026	Speed Potentiometer	
9	1300013	Heat Contactor	
10	1300015	Thermal Relay	
11	N/A	Ground Terminal Block	
12	1300014	Contactor	
13	1300017	Auxiliary Contactor	
14	N/A	Fuse Holder	
	1300563	Fuse	
15	1300021	Terminal Block	
16	1300049P	Main Switch Assembly	Complete (includes handle)
	1300051	Main Switch Body	
	1300048P	Main Switch	Switch only
17	1300050P	Neutral Terminal	
18	1300054-1	Fan Inverter	

N/A = Part no longer available

Electromechanical Control - Gas Heat Models



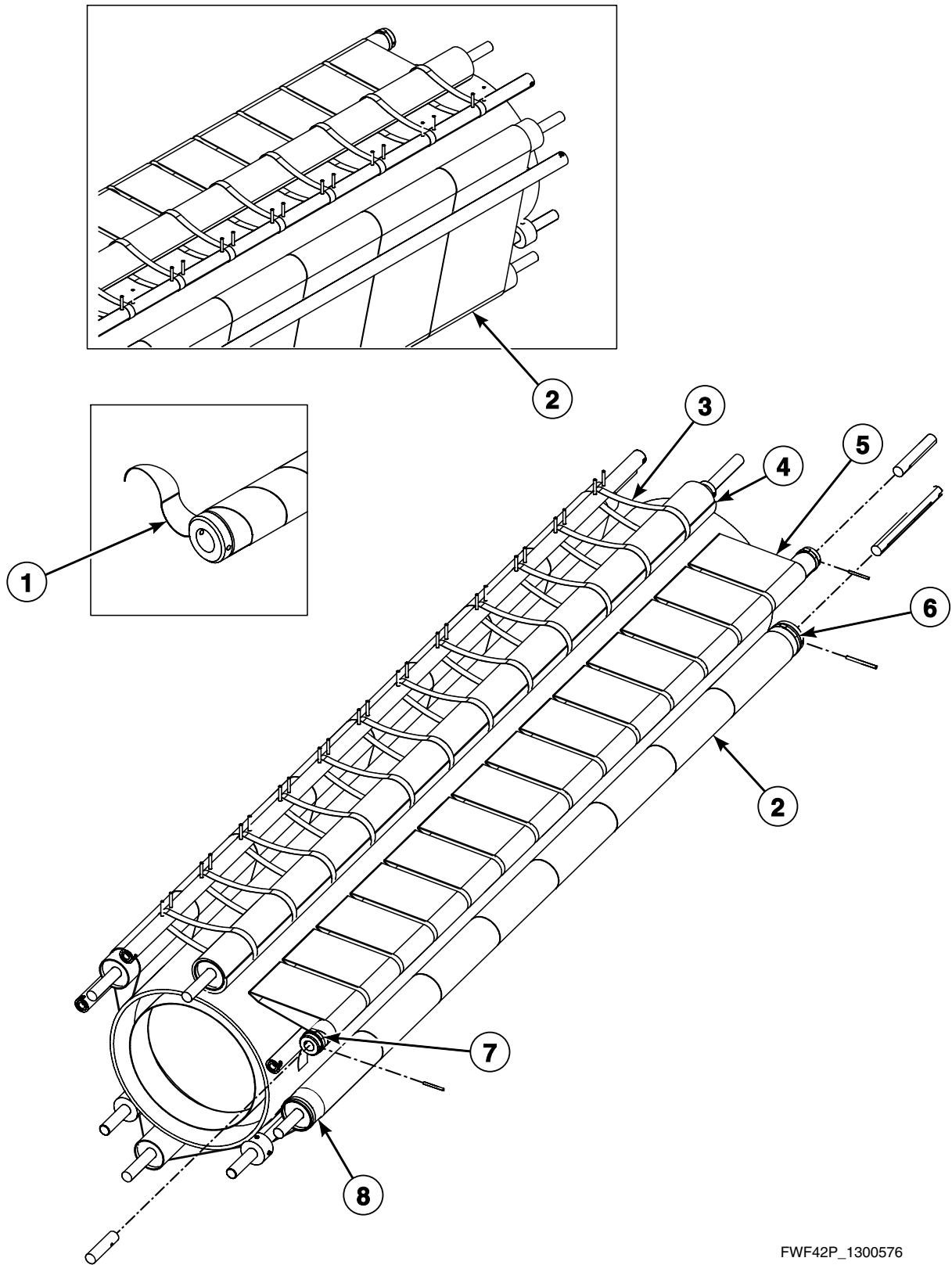
FWF116P_1300576

Electromechanical Control - Gas Heat Models

REF	PART NO.	DESCRIPTION	COMMENTS
	1300883	Transformer	
	1300885	Harness	CN7
1	1300044	Position Switch Head	
2	1300047	Finger Guard Head Switch	
3	1300043	Position Switch Body	
4	1300079P	Thermostat	
5	1300025	Heat Pilot Light	
6	1300519	Gas Reset Pushbutton Head	
	1300045	Pushbutton Body	
7	44018701	Contact Block	
	1300039	Pushbutton Head	
8	1300041	Switch Body	
	1300040	Switch Head	
9	1300026	Speed Potentiometer	
10	1300008	Ignition Control	24 Volt (U.S. finishers)
	1300520P	Ignition Control	220 Volt (CE finishers)
11	1300006P	Igniter	
12	1300015	Thermal Relay	
13	N/A	Ground Terminal Block	
14	1300014	Contactactor	
15	1300017	Auxiliary Contactactor	
16	1300514	Pilot Light Bulb	
17	N/A	Fuse Holder	
	1300563	Fuse	
18	1300021	Terminal Block	
19	1300049P	Main Switch Assembly	Complete (includes handle)
	1300051	Main Switch Body	
	1300048P	Main Switch	Switch only
20	1300050P	Neutral Terminal	
21	1300054-1	Fan Inverter	
22	1300518	Gas Valve	220 Volt (CE finishers)
	1300080	Gas Valve	24 Volt (U.S. finishers)

N/A = Part no longer available

Press Rolls

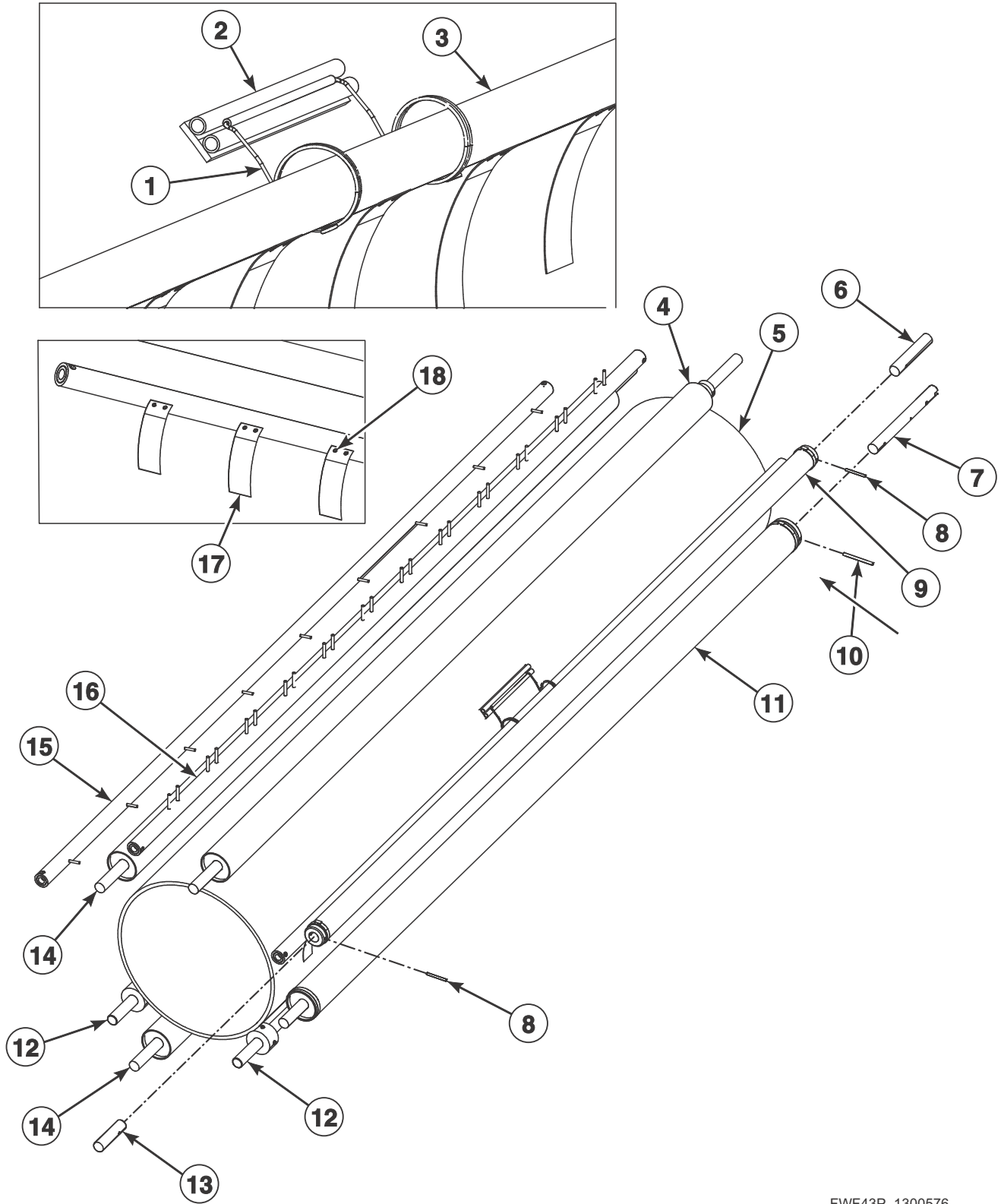


FWF42P_1300576

Press Rolls

REF	PART NO.	DESCRIPTION	COMMENTS
	1301183	Return Ribbon Pin	Model UD13F063 8 required; Models UD13F078 and UD13F079 10 required; Model UD13F126 16 required
1	1300162	Roll Tape	Sold per meter; Order D511637P Adhesive to secure tape; Model UD13F063 4.6 meters; Models UD13F078 and UD13F079 5.5 meters; Model UD13F126 14 meters
2	1300161P	Belt Return Ribbon	Includes pin; Model UD13F063 8 required; Models UD13F078 and UD13F079 10 required; 8x65
	1300580P	Ribbon	Model UD13F126; 16 required
3	1300165	Guide Tape	Sold per meter; Model UD13F063 8 meters; Models UD13F078 and UD13F079 10 meters; Model UD13F126 17 meters
4	1300199	Press Roll Pad	Model UD13F063; Use D511637P Adhesive to hold in place
	1300200P	Press Roll Pad	Models UD13F078 and UD13F079; Use D511637P Adhesive to hold in place
	1300197P	Compression Roll Pad	Model UD13F126; Use D511637P Adhesive to hold in place
5	1300160P	Feed Ribbon	Model UD13F063 14 required; Models UD13F078 and UD13F079 17 required; 4x16
	1300153P	Feed Ribbon	Model UD13F126; 27 required
6	1300164	Clamp	2 required
7	1300163	Clamp	2 required
8	1300162	Roll Tape	Sold per meter; Model UD13F063 6.6 meters; Models UD13F078 and UD13F079 8 meters; Model UD13F126 20 meters

Rolls, Guide and Scrapers

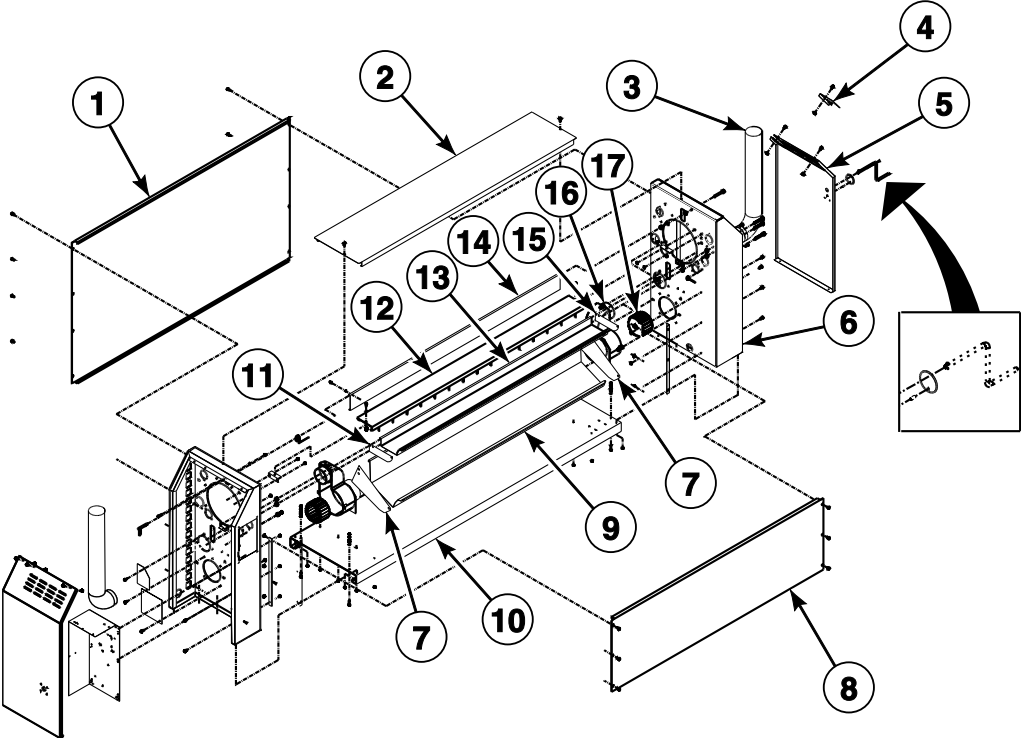


FWF43P_1300576

Rolls, Guide and Scrapers

REF	PART NO.	DESCRIPTION	COMMENTS
1	1300202	Sensor Spring	Use with item 2; 2 required
2	1301116	Sensor	2 required
3	1300380	Textile Scraper Rail	Model UD13F063
	1300399	Textile Scraper Rail	Models UD13F078 and UD13F079
	1300502	Textile Scraper Rail	Model UD13F126
4	1300383	Pressure Roll	Model UD13F063
	1300400	Pressure Roll	Models UD13F078 and UD13F079
	1300600	Pressure Roll	Model UD13F126
5	1300377	Heated Roll	Model UD13F063
	1300394	Heated Roll	Models UD13F078 and UD13F079
	1300599	Ironing Roll	Model UD13F126
6	1300086R	Pick Up Roll Shaft	Right; All models except UD13F126
7	1300102	Drive Roll Shaft	All models except UD13F126
8	1300176	Pick-Up Roll Roll Pin	4x40; 2 required; All models except UD13F126
9	1300381	Pick-Up Roll	Model UD13F063
	1300398P	Pick-Up Roll	Models UD13F078 and UD13F079
	1300496	Auxiliary Feed Roll	Model UD13F126
10	1300159	Drive Roll Roll Pin	5x60; All models except UD13F126
11	1300385	Return Ribbon Roll	Model UD13F063
	1300401	Return Ribbon Roll	Models UD13F078 and UD13F079
	1300494	Rail	Model UD13F126
12	1300382	Shaft	Model UD13F063; 2 required
	1300402	Shaft	Models UD13F078 and UD13F079; 2 required
	1300138	Heated Roll Shaft	Model UD13F126; 2 required
13	1300086L	Pick Up Roll Shaft	Left; All models except UD13F126
14	1300889	Return Ribbon Roll	Model UD13F063; 2 required
	1300884	Return Ribbon Roll	Models UD13F078 and UD13F079; 2 required
	1300506	Roller	Model UD13F126; 2 required
15	1300374	Feed Ribbon Guide	Model UD13F063
	1300395	Feed Ribbon Guide	Models UD13F078 and UD13F079
	1300598	Ribbon Guide	Model UD13F126
16	1300378	Ribbon Guide	Model UD13F063
	1300395	Feed Ribbon Guide	Models UD13F078 and UD13F079
	1300505	Guide Rail	Model UD13F126
17	1300219P	Textile Scraper	Includes 2 1300511 Pop Rivets; Model UD13F063: 13 required through 12/31/03, 7 required starting 1/1/04; Models UD13F078 and UD13F079: 15 required through 12/31/03, 9 required starting 1/1/04; Model UD13F126: 14 required starting 1/1/04
18	1300511	Pop Rivet	

Panels, Electrical Box and Receiving Tray (Drawing 1 of 2)



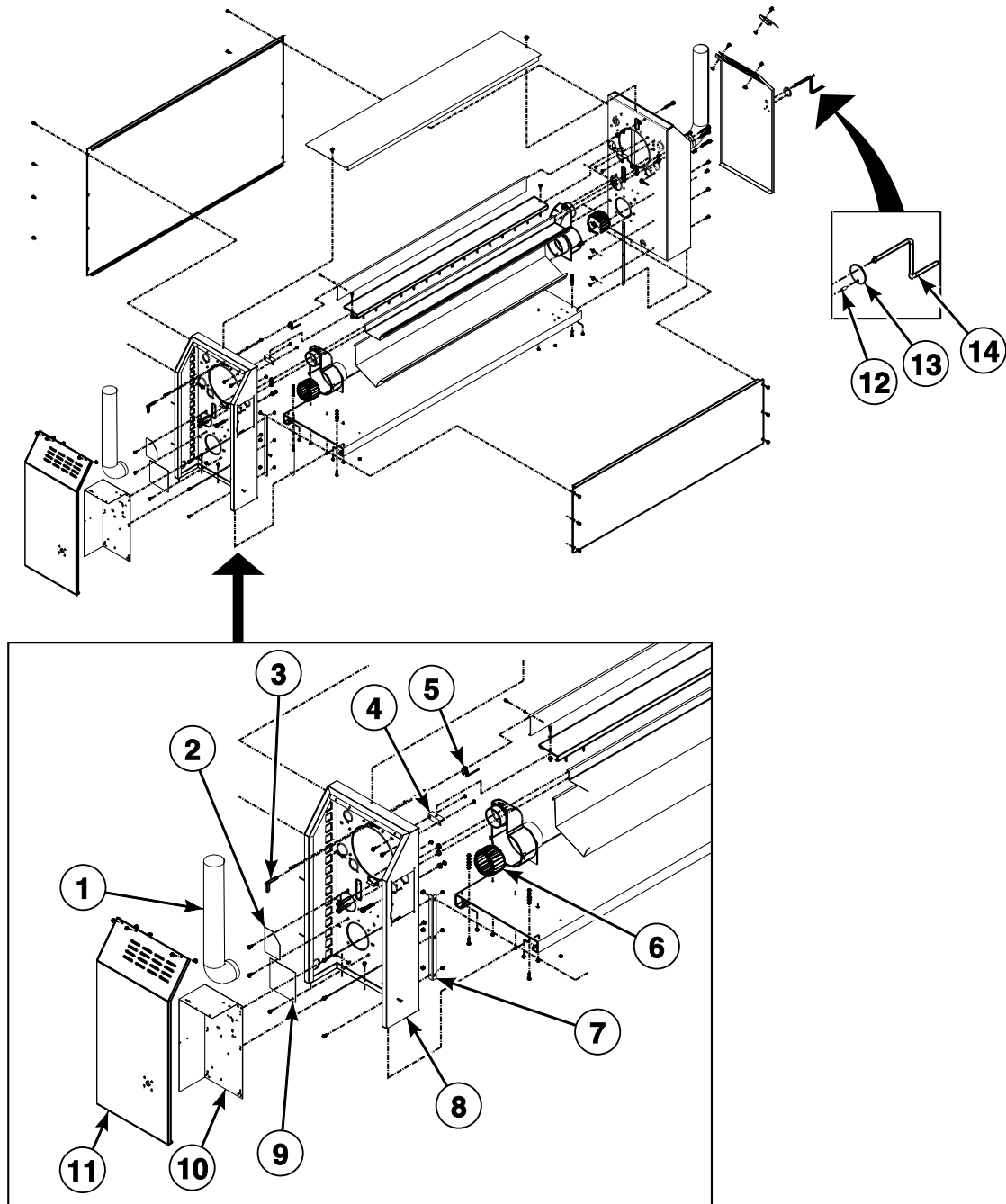
FWF197P_1300576

Panels, Electrical Box and Receiving Tray (Drawing 1 of 2)

REF	PART NO.	DESCRIPTION	COMMENTS
1	1300369	Rear Panel	Models UD13F078 and UD13F079
	1300387	Rear Panel	Model UD13F063
	1300491	Rear Panel	Model UD13F126
2	1300388P	Top Panel	Models UD13F078 and UD13F079; Models through 3/31/12
	1301071	Top Panel	Models UD13F078 and UD13F079; Models starting 4/1/12
	1300370	Top Panel	Model UD13F063; Models through 3/31/12
	1301072	Top Panel	Model UD13F063; Models starting 4/1/12
	1300586	Upper Panel	Model UD13F126; Models through 3/31/12
	1301070	Top Panel	Model UD13F126; Models starting 4/1/12
3	1300155	Exhaust Pipe Elbow	Models UD13F078, UD13F079 and UD13F126 2 required; Model UD13F063 1 required
4	1300000	Nameplate Overlay	
	1300001	Nameplate Overlay	
	1300002	Nameplate Overlay	
5	1300215	Right Panel	Models through 3/31/12
	1301095	Right Panel	Models starting 4/1/12
6	1300213	Right Frame	Models through 3/31/12
	1301091	Right Frame	Beige; Models starting 4/1/12
	1301092	Right Frame	Gray; Models starting 4/1/12
7	1300239	Receiving Tray End Panel	Model UD13F126; Models through 3/31/12
	1301074	Receiving Tray End Panel	Model UD13F126; Models starting 4/1/12
8	1300391	Front Panel	Models UD13F078 and UD13F079; Models through 3/31/12
	1301066	Front Panel	Models UD13F078 and UD13F079; Models starting 4/1/12
	N/A	Front Panel	Model UD13F063; Models through 3/31/12
	1301067	Front Panel	Model UD13F063; Models starting 4/1/12
	N/A	Front Panel	Model UD13F126; Models through 3/31/12
	1301065	Front Panel	Model UD13F126; Models starting 4/1/12
9	N/A	Receiving Tray	Models UD13F078 and UD13F079; Models through 3/31/12
	1301075	Receiving Tray	Models UD13F078 and UD13F079; Models starting 4/1/12
	N/A	Receiving Tray	Model UD13F063; Models through 3/31/12
	1301076	Receiving Tray	Model UD13F063; Models starting 4/1/12
	1301123	Delivery Tray Assembly	Model UD13F126
10	1301079	Base	Models UD13F078 and UD13F079
	1301080	Base	Model UD13F063
	1301078	Base	Model UD13F126
11	1300859-L	Bracket	Left; Model UD13F126; Models through 3/31/12
	1301086	Bracket	Model UD13F126; Models starting 4/1/12
12	1300390	Feed Board	Models UD13F078 and UD13F079; Models through 3/31/12
	1301083	Feed Board	Models UD13F078 and UD13F079; Models starting 4/1/12
	N/A	Feed Board	Model UD13F063; Models through 3/31/12
	1301084	Feed Board	Model UD13F063; Models starting 4/1/12
	N/A	Feed Table	Model UD13F126; Models through 3/31/12
13	1300398P	Pick-Up Roll	Models UD13F078 and UD13F079; Models through 3/31/12
	1301087	Feed Tray	Models UD13F078 and UD13F079; Models starting 4/1/12
	1300375	Feed Tray	Model UD13F063; Models through 3/31/12
	1301088	Feed Tray	Model UD13F063; Models starting 4/1/12
	1301123	Delivery Tray Assembly	Model UD13F126
14	1300389	Finger Guard	Models UD13F078 and UD13F079
	1300371	Finger Guard	Model UD13F063
	1300592	Finger Guard	Model UD13F126; Models through 3/31/12
	1301090	Finger Guard	Model UD13F126; Models starting 4/1/12
15	1300859-R	Bracket	Right; Model UD13F126; Models through 3/31/12
	1301086	Bracket	Model UD13F126; Models starting 4/1/12
16	1300327	Right Blower Housing	Models through 3/31/12
	1301064	Blower Housing	2 required; Models starting 4/1/12
17	1300105	Blower Wheel	Right

N/A = Part no longer available

Panels, Electrical Box and Receiving Tray (Drawing 2 of 2)

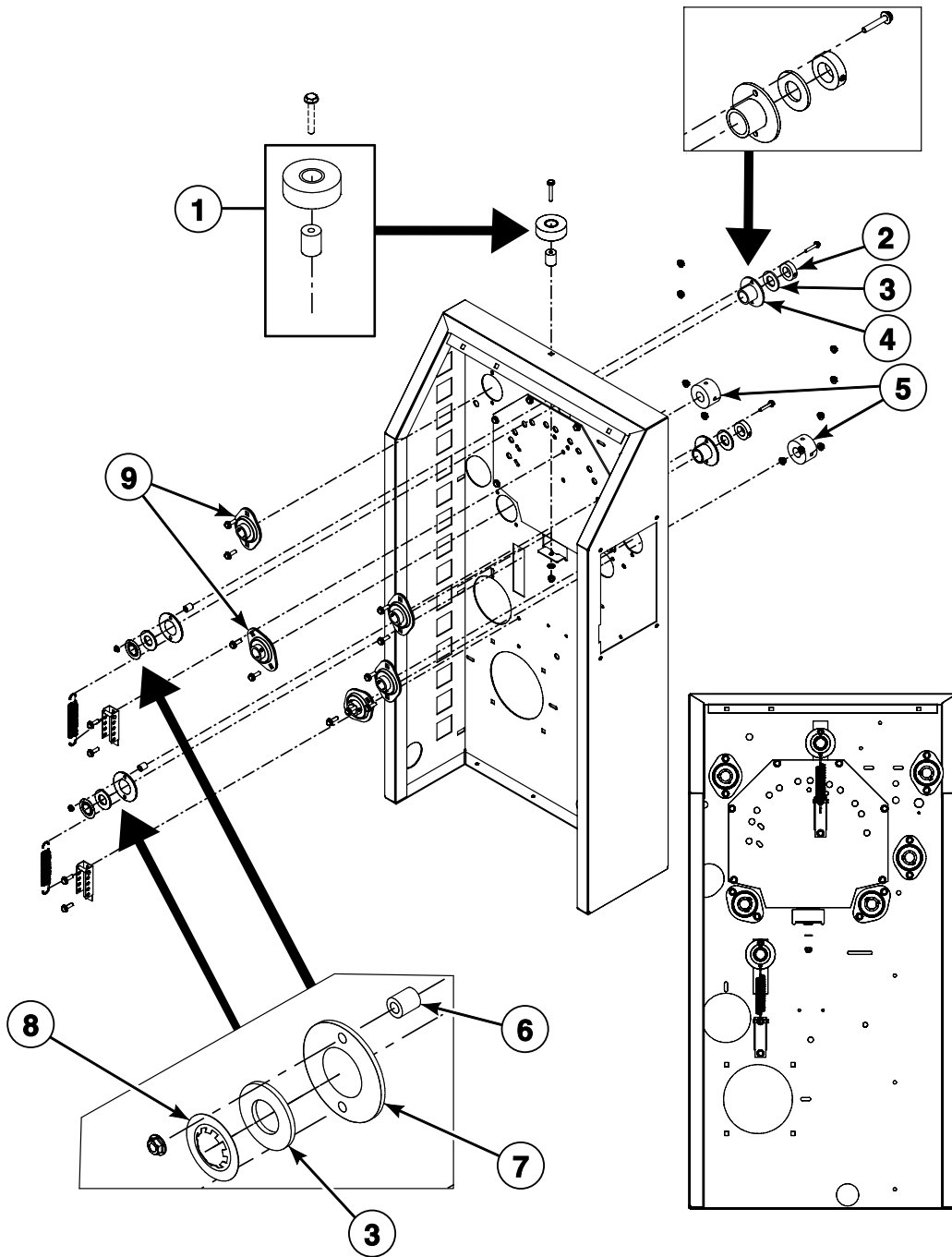


FWF41PA_1300576

Panels, Electrical Box and Receiving Tray (Drawing 2 of 2)

REF	PART NO.	DESCRIPTION	COMMENTS
1	1300155	Exhaust Pipe Elbow	Models UD13F078, UD13F079 and UD13F126 2 required; Model UD13F063 1 required
	1300156	Exhaust Pipe	Models UD13F078, UD13F079 and UD13F126 2 required; Model UD13F063 1 required
2	1300219P	Textile Scraper	
3	1301060	Finger Guard Shaft	Model UD13F126 2 required; Models UD13F063, UD13F078 and UD13F079 1 required
4	1300326	Bracket	2 required
5	1300181	Spring	Model UD13F126 2 required; Models UD13F063, UD13F078 and UD13F079 1 required
6	1300105	Blower Wheel	
7	1300328	Front Panel Bracket	2 required
8	1301093	Left Frame	Models starting 4/1/12; Beige
	1301193	Trim	Models starting 4/1/12; Gray
9	1300218	Cover Plate	
10	1300330	Electrical Box	
11	1300216	Left Panel	Models through 3/31/12
	1301096	Left Panel	Models starting 4/1/12
12	1300874	Safety Disc	
13	1300103	Crank Handle Pivot	
14	1300094	Crank Handle	Models through 5/15/05
	1300114	Crank Handle	Models starting 5/15/05; 5 mm Allen

Tension Bearing and Side Roller

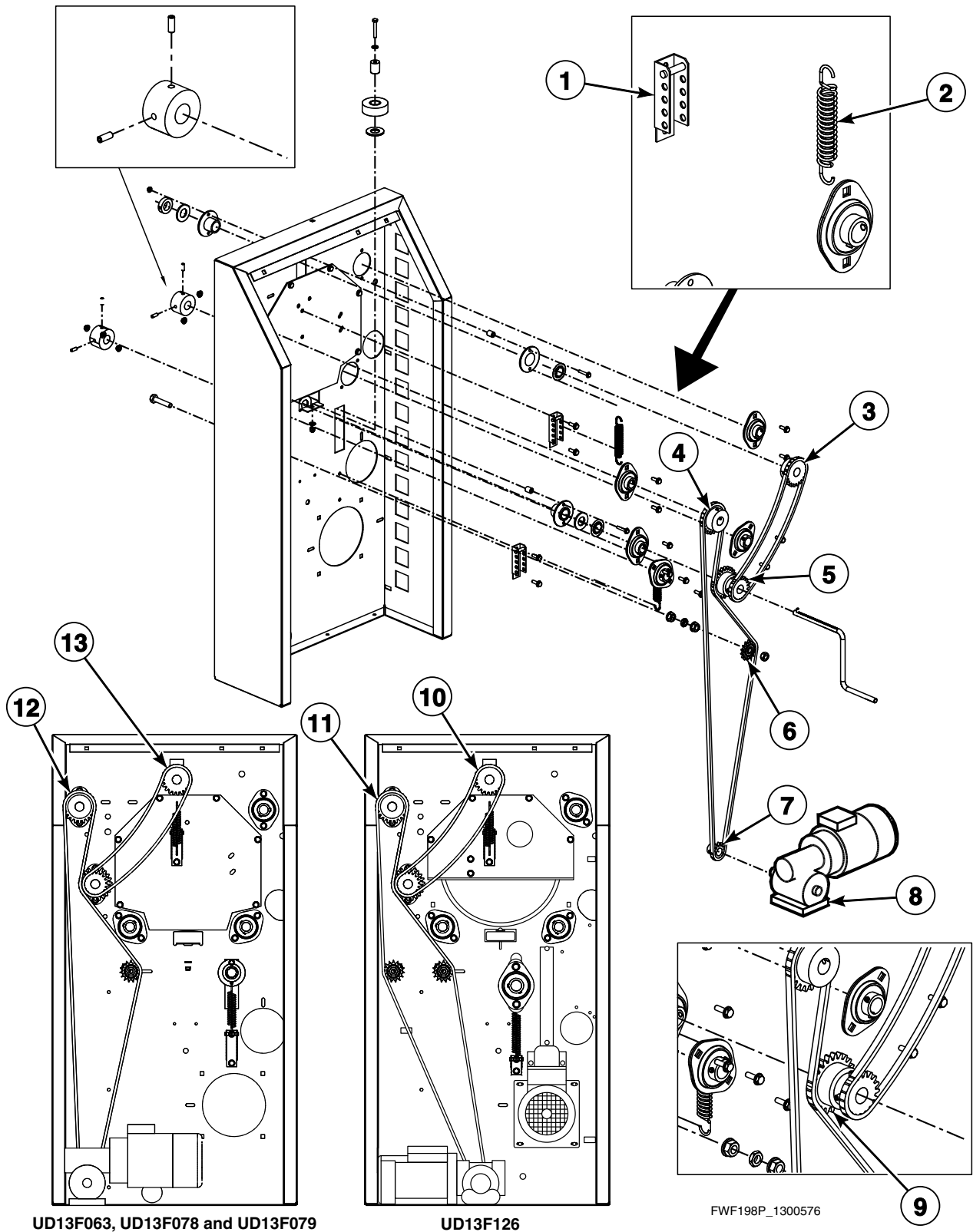


FWF44P_1300576

Tension Bearing and Side Roller

REF	PART NO.	DESCRIPTION	COMMENTS
1	1301194P	Roller Kit	Includes (1) 1301187 Sider Roller, (1) 1301189 Axle Support Cage and (1) 1300085 Side Roller Shaft
2	1300100	Collar	2 required
3	1300359	Washer	4 required
4	1300092P	Tension Bearing	4 required
5	1300860	Collar	Model UD13F126; 8 required; Stop ring
	1300585P	Collar	Model UD13F126; 4 required
	1300083P	Collar	All other models; 4 required
6	1300098	Tension Bearing Spacer	4 required
7	1300099	Tension Bearing Retainer	4 required
8	1300157	Nut	4 required
9	1300124P	Bearing	Model UD13F126; 10 required
	1300096P	Roll Bearing	All other models; Use M6 x 1 setscrews with bearing; Attach with M6 x 16 nut; 10 required

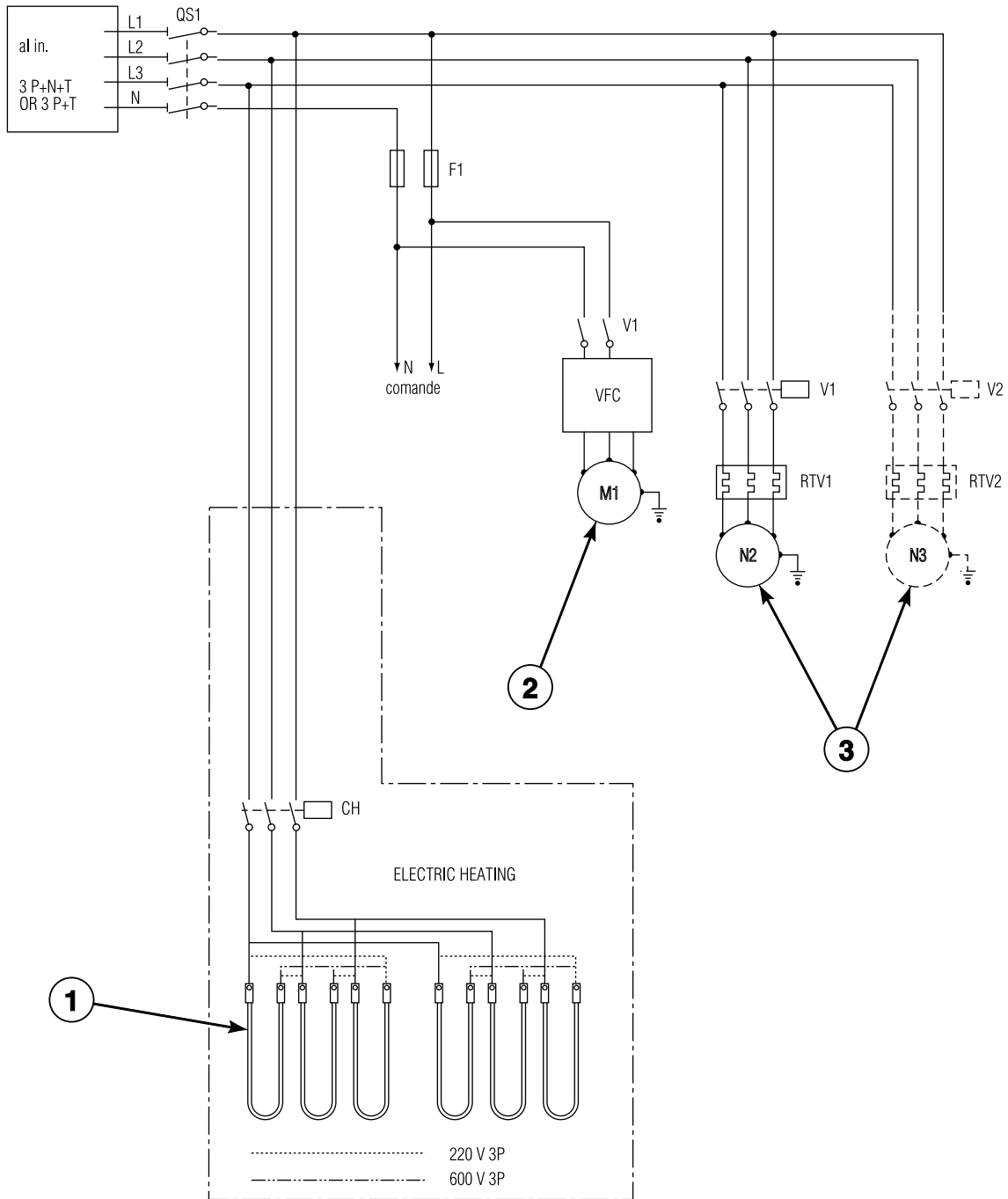
Sprockets and Chain Tensioner



Sprockets and Chain Tensioner

REF	PART NO.	DESCRIPTION	COMMENTS
	1300875	Chain Link	2 required; Use with items 10-13; Models UD13F078 and UD13F079
	1300877	Pin	2 required; Use with items 10-13; Models UD13F078 and UD13F079
1	1300329	Tension Bracket	4 required
2	1300158	Tension Spring	4 required
3	1300117	Sprocket	Model UD13F126; 08B1-18
	1300091	Press Roll Sprocket	All other models
4	1300090	Press Roll Sprocket	Model UD13F126
	1300088	Pick-Up Roll Sprocket	All other models
5	1300091	Press Roll Sprocket	Model UD13F126
	1300090	Press Roll Sprocket	All other models
	1300089	Drive Roll Sprocket	Use with 1300090 and 1300091
6	1300880	Idler Sprocket	
7	1300121	Motor Sprocket	
8	1300869P	Motor and Gear Case Assembly	Model UD13F126
	1300881P	Cylinder Motor	All other models
9	1301175	Gear	Model UD13F126
	1300089	Drive Roll Sprocket	All other models
10	1300878P	Press Roll Chain	Model UD13F126 through 3/31/12
	1301118	Drive Motor Chain	Model UD13F126 starting 4/1/12
11	1300871	Drive Motor Chain	Model UD13F126; This chain made up of 1300097P Drive Chain and 1300877 Pin
12	1300097P	Drive Chain	Models UD13F063, UD13F078 and UD13F079; 1.9 meters
13	1300870P	Press Roll Drive Chain	Models UD13F063, UD13F078 and UD13F079

Heating Elements and Fan Motor - Electric Heat Models

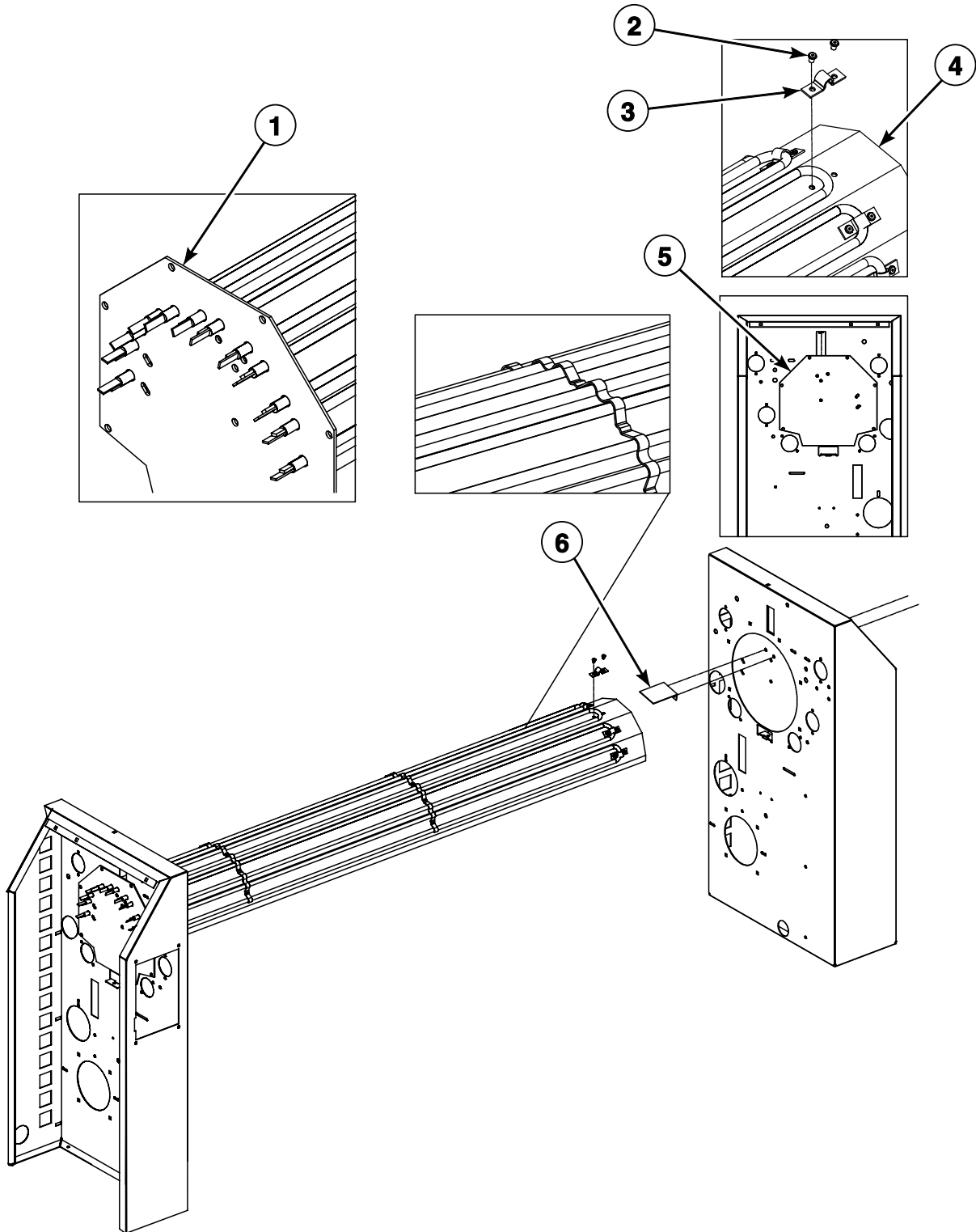


FWF117P_1300576

Heating Elements and Fan Motor - Electric Heat Models

REF	PART NO.	DESCRIPTION	COMMENTS
1	1300073	Heating Element	Model UD13F063; 6 required
	1300075	Heating Element	Models UD13F078 and UD13F079; 6 required
	1300077	Heating Element	Model UD13F126; 12 required
2	1300869P	Motor and Gear Case Assembly	Model UD13F126
	1300881P	Cylinder Motor	All other models
3	1300063	Fan Motor	

Electric Heat Roll - Electric Heat Models

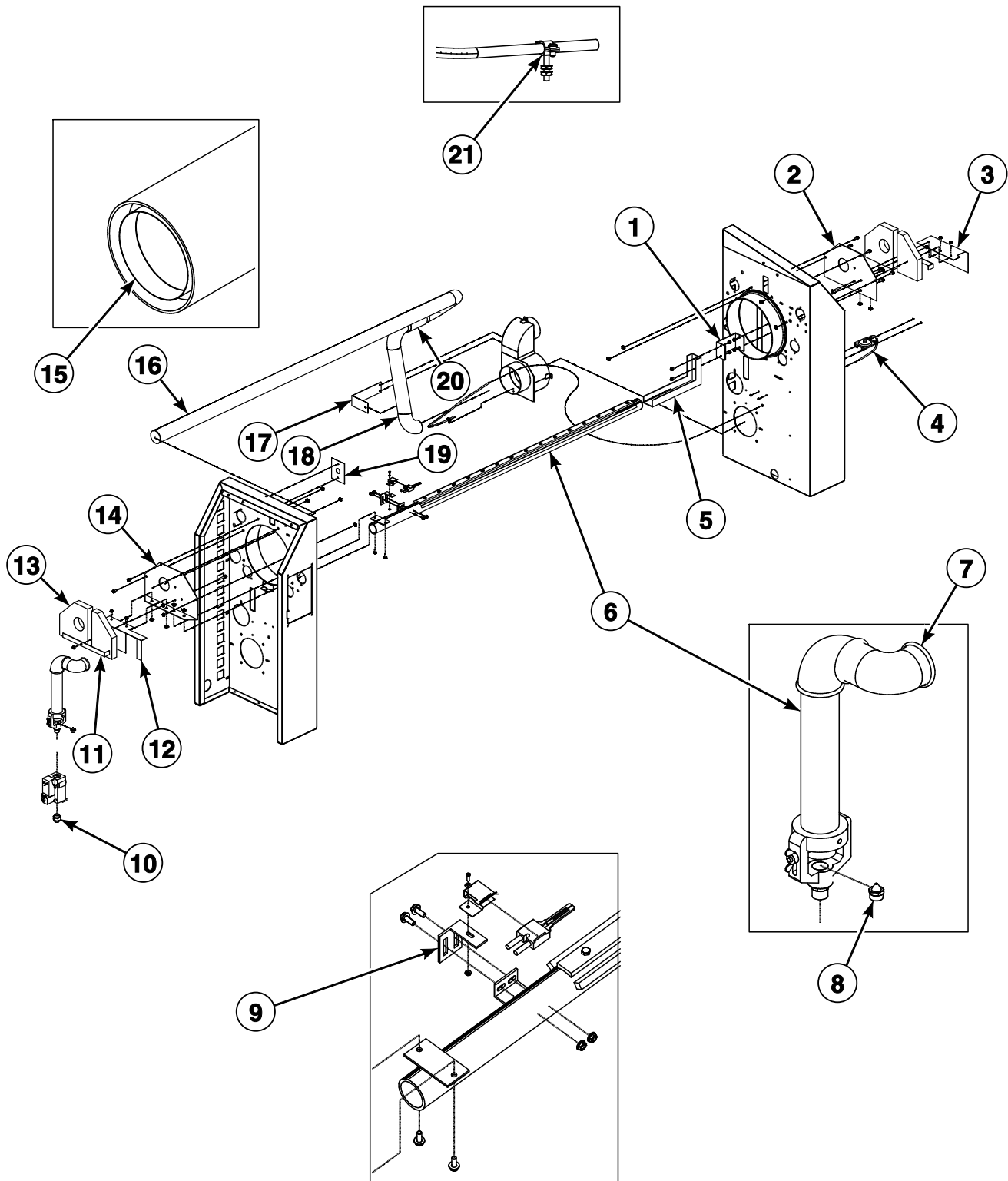


FWF46P_1300576

Electric Heat Roll - Electric Heat Models

REF	PART NO.	DESCRIPTION	COMMENTS
1	1300332	Heating Element End Plate	Left
2	1300510	Pop Rivet	12 required
3	1300178	Heating Element Clamp	6 required
4	1300397	Heating Element Support	Models UD13F078 and UD13F079 1 required; Model UD13F126 2 required
	1300379	Heating Element Support	Model UD13F063
5	1300367	Heating Element End Plate	
6	1300333	Bracket	

Burner and Exhaust - Gas Heat Models



FWF47P_1300576

Burner and Exhaust - Gas Heat Models

REF	PART NO.	DESCRIPTION	COMMENTS
	1300564	L.P. Valve Kit	
	1301050	Burner Assembly	Model UD13F126; Includes 130006 Igniter, 1300438 Igniter Bracket, 1300080 Gas Valve, 1300192 Burner, 1300501 Gas Screen and 1300503 Gas Deflector
1	1300364	Burner Support Bracket	
2	1300581	Right Flange	Model UD13F126
	1300334	Right Gas Heat Bracket	All other models
3	1300358	Bracket	
4	1300193	Pressure Switch Tubing	
5	1300335	Burner Support Bracket	
6	1300183	Burner	Models UD13F078 and UD13F079
	1300166	Burner	Model UD13F063
	1300192	Burner	Model UD13F126
7	1300172	Elbow	
8	1300781	Burner Orifice	Specify type of gas
	1300606	Burner Orifice	1.5 mm (blank)
	1300167	Burner Orifice	2.35 mm; Liquid Petroleum Gas (L.P.)
	1300538	Burner Orifice	2.5 mm; L.P.
	1300539	Burner Orifice	3 mm; L.P.
	1300854	Burner Orifice	3.2 mm; L.P.
	1300540	Burner Orifice	3.5 mm; L.P.
	1300541	Burner Orifice	4.1 mm; L.P.
	1300542	Burner Orifice	4.4 mm; L.P.
	1300862	Burner Orifice	4.1 mm; Natural Gas (N.G.)
	1300544	Burner Orifice	4.8 mm; N.G.
	1300855	Burner Orifice	5.0 mm; N.G.
	1300856	Burner Orifice	5.5 mm; N.G.
	1300857	Burner Orifice	6.4 mm; N.G.
	1300545	Burner Orifice	7.1 mm; N.G.
9	1300340	Igniter Bracket	Models through 3/31/12
	1300438	Igniter Bracket	Models starting 4/1/12
10	1300171	Gas Valve Fitting	BPT adapter
11	1300360	Insulation Bracket	Model UD13F126 1 required; Models UD13F063, UD13F078 and UD13F079 2 required
12	1300362	Bracket	
13	1301150	Insulation	2 required
14	1300366	Left Gas Heat Bracket	
15	1300363	Gas Deflector	
16	1300403	Gas Exhaust Pipe	Models UD13F078 and UD13F079
	1300384	Gas Exhaust Pipe	Model UD13F063
	1300584	Exhaust Tube	Model UD13F126
17	1300339	Exhaust Pipe Bracket	
18	1300338	Gas Exhaust Pipe	
19	1300221	Plate	2 required
20	1300336	Exhaust Sleeve	
21	1300562P	Thermostat Bracket	

Labels



FWF148P_1300576

Labels

REF	PART NO.	DESCRIPTION	COMMENTS
	1301119	Conversion Label	Natural Gas (N.G.) to Liquid Petroleum (L.P.)
1	D502511	Electrical Shock Label	
2	F200318200	Cover Decal	
3	M411815	Vent and Thimble Caution Label	
4	70360901	Belt Edging Warning Label	
5	D500316	Warning Label	
6	N/A	Hot Surface Warning Plate	
7	D501140	Natural Gas Notice Label	
8	M412238	Rotating Warning Sticker	

N/A = Part no longer available

Parts Index

A

Auxiliary Contactor	
1300017	9, 11
Auxiliary Feed Roll	
1300496	15

B

Base	
1301078	17
1301079	17
1301080	17
Bearing	
1300124P	21
Belt Edging Warning Label	
70360901	31
Belt Return Ribbon	
1300161P	13
Blower Housing	
1301064	17
Blower Wheel	
1300105	17, 19
Bracket	
1300326	19
1300333	27
1300358	29
1300362	29
1300859-L	17
1300859-R	17
1301086	17
Burner	
1300166	29
1300183	29
1300192	29
Burner Assembly	
1301050	29
Burner Orifice	
1300167	29
1300538	29
1300539	29
1300540	29
1300541	29
1300542	29
1300544	29
1300545	29
1300606	29
1300781	29
1300854	29
1300855	29
1300856	29
1300857	29
1300862	29
Burner Support Bracket	
1300335	29
1300364	29

C

Chain Link	
1300875	23
Clamp	
1300163	13
1300164	13
Collar	
1300083P	21
1300100	21
1300585P	21
1300860	21
Compression Roll Pad	
1300197P	13
Contact Block	
44018701	5, 7, 9, 11
Contactor	
1300014	5, 9, 11
Control Panel	
1300526P	5, 7
Conversion Label	
1301119	31
Cover Decal	
F200318200	31
Cover Plate	
1300218	19
Crank Handle	
1300094	19
1300114	19
Crank Handle Pivot	
1300103	19
Cylinder Motor	
1300881P	23, 25

D

Delivery Tray Assembly	
1301123	17
Drive Chain	
1300097P	23
Drive Motor Chain	
1300871	23
1301118	23
Drive Roll Roll Pin	
1300159	15
Drive Roll Shaft	
1300102	15
Drive Roll Sprocket	
1300089	23

E

Elbow	
1300172	29
Electrical Box	
1300330	19

N/A items do not appear in index.

Electrical Shock Label D502511	31
Emergency Stop Kit 44018701P	5, 7
Emergency Switch 1300559	5, 7
Exhaust Pipe 1300156	19
Exhaust Pipe Bracket 1300339	29
Exhaust Pipe Elbow 1300155	17, 19
Exhaust Sleeve 1300336	29
Exhaust Tube 1300584	29

F

Fan Inverter 1300054-1	5, 7, 9, 11
Fan Motor 1300063	25
Feed Board 1300390	17
1301082	17
1301083	17
1301084	17
Feed Ribbon 1300153P	13
1300160P	13
Feed Ribbon Guide 1300374	15
1300395	15
Feed Ripon Guide 1300395	15
Feed Tray 1300375	17
1301087	17
1301088	17
Finger Guard 1300371	17
1300389	17
1300592	17
1301090	17
Finger Guard Head Switch 1300047	9, 11
Finger Guard Shaft 1301060	19
Front Panel 1300391	17
1301065	17
1301066	17
1301067	17
Front Panel Bracket 1300328	19
Fuse 1300530	7
1300531	5
1300533	7
1300547	5, 7
1300563	9, 11
Fuse Holder 1300529	5, 7

N/A items do not appear in index.

G

Gas Deflector 1300363	29
Gas Exhaust Pipe 1300338	29
1300384	29
1300403	29
Gas Heat Contactor 1300525P	7
Gas Reset Pushbutton Head 1300519	11
Gas Valve 1300080	7, 11
1300518	7, 11
Gas Valve Fitting 1300171	29
Gas Valve Harness 1300007	7
Gear 1301175	23
Ground Terminal Block 1300555	5, 7
Guide Rail 1300505	15
Guide Tape 1300165	13

H

Harness 1300885	7, 11
Heat Contactor 1300012	5
1300013	9
Heat Pilot Light 1300025	9, 11
Heated Roll 1300394	15
Heated Roll Shaft 1300138	15
Heated Roll 1300377	15
Heating Element 1300073	25
1300075	25
1300077	25
Heating Element Clamp 1300178	27
Heating Element End Plate 1300332	27
1300367	27
Heating Element Support 1300379	27
1300397	27

I

Idler Sprocket 1300880	23
---------------------------------	----

Igniter	
130006P	7, 11
Igniter Bracket	
1300340	29
1300438	29
Ignition Control	
1300008	7, 11
1300520P	7, 11
Insulation	
1301150	29
Insulation Bracket	
1300360	29
Inverter Drive	
1301182	7
Ironing Roll	
1300599	15

L

Left Frame	
1301093	19
Left Gas Heat Bracket	
1300366	29
Left Panel	
1300216	19
1301096	19
L.P. Valve Kit	
1300564	29

M

Main Switch	
1300048P	9, 11
Main Switch Assembly	
1300049P	9, 11
Main Switch Body	
1300051	9, 11
Motor and Gear Case Assembly	
1300869P	23, 25
Motor Sprocket	
1300121	23

N

Nameplate Overlay	
1300000	17
1300001	17
1300002	17
Natural Gas Notice Label	
D501140	31
Neutral Terminal	
1300050P	9, 11
Nut	
1300157	21

P

Panel Raiser	
1301069	17

Pick Up Roll Shaft	
1300086L	15
1300086R	15
Pick-Up Roll	
1300381	15
1300398P	15, 17
Pick-Up Roll Roll Pin	
1300176	15
Pick-Up Roll Sprocket	
1300088	23
Pilot Light Bulb	
1300514	11
Pin	
1300877	23
Plate	
1300221	29
Pop Rivet	
1300510	27
1300511	15
Position Switch Body	
1300043	5, 7, 9, 11
Position Switch Head	
1300044	5, 7, 9, 11
Press Roll Chain	
1300878P	23
Press Roll Drive Chain	
1300870P	23
Press Roll Pad	
1300199	13
1300200P	13
Press Roll Sprocket	
1300090	23
1300091	23
Pressure Roll	
1300383	15
1300400	15
1300600	15
Pressure Switch Kit	
1301202	7
Pressure Switch Tubing	
1300193	29
Printed Circuit Board	
1300527P	5, 7
Pushbutton	
44018801	5, 7
Pushbutton Body	
1300045	11
Pushbutton Head	
1300039	9, 11

R

Rail	
1300494	15
Rear Panel	
1300369	17
1300387	17
1300491	17
Receiving Tray	
1301075	17
1301076	17
Receiving Tray End Panel	
1300239	17

N/A items do not appear in index.

1301074	17
Return Ribbon Pin	
1301183	13
Return Ribbon Roll	
1300385	15
1300401	15
1300884	15
1300889	15
Ribbon	
1300580P	13
Ribbon Guide	
1300378	15
1300598	15
Right Blower Housing	
1300327	17
Right Flange	
1300581	29
Right Frame	
1300213	17
1301091	17
1301092	17
Right Gas Heat Bracket	
1300334	29
Right Panel	
1300215	17
1301095	17
Roll Bearing	
1300096P	21
Roll Tape	
1300162	13
Roller	
1300506	15
Roller Kit	
1301194P	21
Rotating Warning Sticker	
M412238	31

S

Safety Disc	
1300874	19
Safety Microswitch	
1300521	5, 7
Sensor	
1301116	15
Sensor Spring	
1300202	15
Shaft	
1300382	15
1300402	15
Speed Potentiometer	
1300026	9, 11
Spring	
1300181	19
Sprocket	
1300117	23
Switch Body	
1300041	9, 11
Switch Head	
1300040	9, 11

T

Temperature Sensor Package	
1300565P	5, 7
Tension Bearing	
1300092P	21
Tension Bearing Retainer	
1300099	21
Tension Bearing Spacer	
1300098	21
Tension Bracket	
1300329	23
Tension Spring	
1300158	23
Terminal Block	
1300021	5, 7, 9, 11
1300557	5, 7
Textile Scraper	
1300219P	15, 19
Textile Scraper Rail	
1300380	15
1300399	15
1300502	15
Thermal Relay	
1300015	9, 11
1300016	5
Thermostat	
1300079P	5, 7, 9, 11
Thermostat Bracket	
1300562P	29
Top Panel	
1300370	17
1300388P	17
1301070	17
1301071	17
1301072	17
Transformer	
1300522	7
1300534P	5
1300883	9, 11
Trim	
1301193	19

U

Upper Panel	
1300586	17

V

Vent and Thimble Caution Label	
M411815	31

W

Warning Label	
D500316	31
Washer	
1300359	21

Wire 1301171 7
