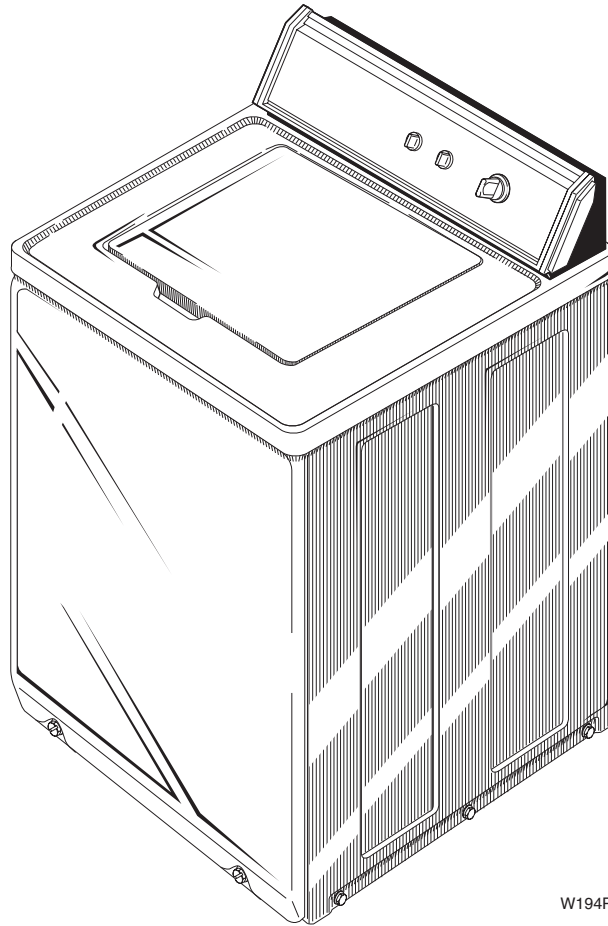


Automatic Washers

Refer to Page 3 for Model Numbers



Parts

Table of Contents

| Title | Page |
|---|------|
| Parts Ordering Information..... | 2 |
| Nameplate Location | 2 |
| Model Identification | 3 |
| Graphic Panel, Control Hood and Controls (Drawing 1 of 4) | 4 |
| Graphic Panel, Control Hood and Controls (Drawing 2 of 4) | 6 |
| Graphic Panel, Control Hood and Controls (Drawing 3 of 4) | 8 |
| Graphic Panel, Control Hood and Controls (Drawing 4 of 4) | 10 |
| Top, Lid and Hood Back Panel | 12 |
| Door and Out-Of-Balance Switch..... | 14 |
| Water Inlet Hose, Fill Hose, Back Flow Preventer and Mixing Valve Mounting Bracket..... | 16 |
| Mixing Valve Assembly | 18 |
| Agitator, Drive Bell and Seal Seat..... | 20 |
| Clothes Guard, Washtub, Lint Filter and Hub | 22 |
| Outer Tub, Cover and Pressure Hose | 24 |
| Bearing Housing, Brake, Pulley and Pivot Dome..... | 26 |
| Transmission Assembly and Balance Ring..... | 28 |
| Components for 33227P Transmission Assembly | 30 |
| Motor and Mounting Bracket..... | 32 |
| Belts and Idler Assembly | 34 |
| Pump Assembly, Bracket, Hoses and Siphon Break Kit..... | 36 |
| Front Panel, Cabinet and Base | 38 |
| Wire Terminals | 40 |
| Wire Harnesses and Lead-In Cord | 42 |
| Special Tools (Drawing 1 of 2)..... | 44 |
| Special Tools (Drawing 2 of 2)..... | 46 |
| Wire Harnesses and Wires | 48 |
| Parts Index..... | 49 |

© Copyright 2007, Alliance Laundry Systems LLC

All rights reserved. No part of the contents of this book may be reproduced or transmitted in any form or by any means without the expressed written consent of the publisher.

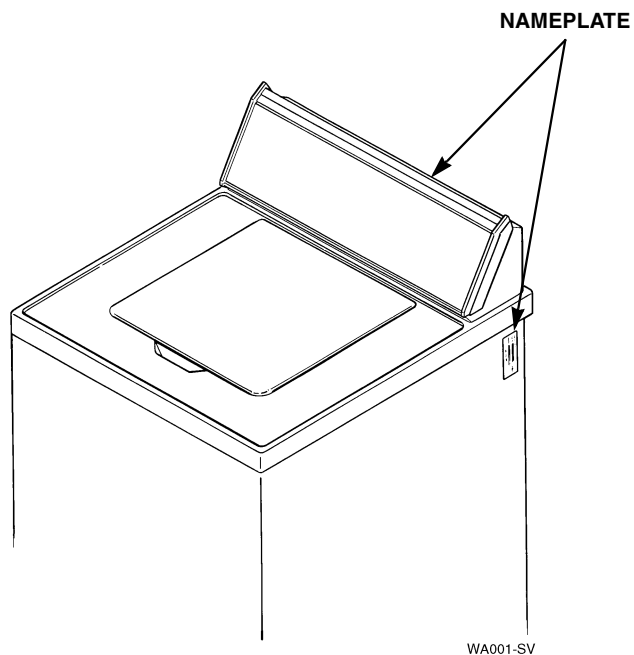
Parts Ordering Information

If literature or replacement parts are required, contact the source from which the machine was purchased or contact Alliance Laundry Systems LLC at (920) 748-3950 for the name and address of the nearest authorized parts distributor.

For technical assistance, call (920) 748-3121.

Nameplate Location

When calling or writing about your product, be sure to mention model and serial numbers. Model and serial numbers are located on nameplate as shown.



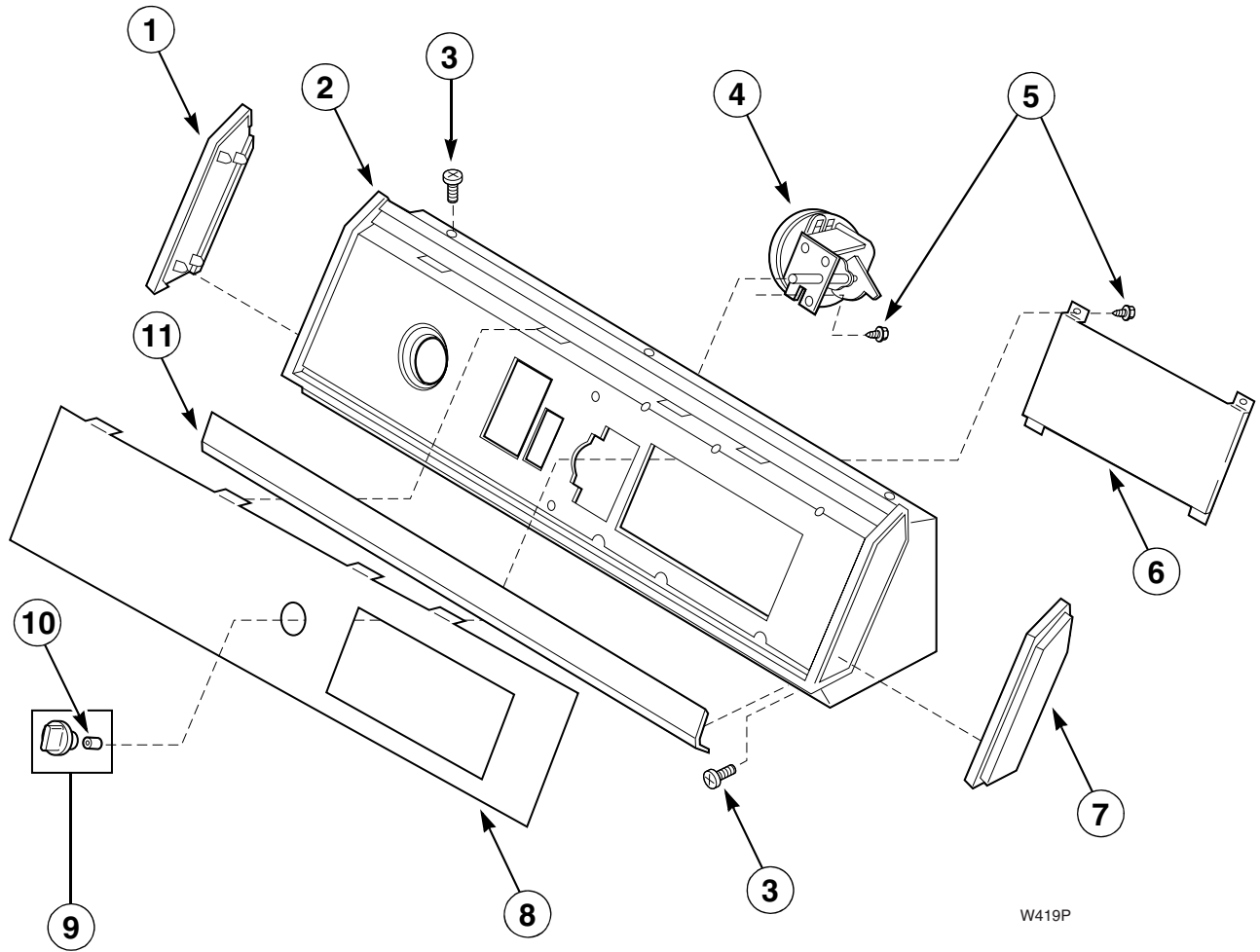
Model Identification

Information in this manual is applicable to these washer models:

| | | | | |
|--------|--------|-------------|-------------|-------------|
| AA3410 | AWE852 | AWM351-1000 | AWM352-1000 | AWM551 |
| AA4410 | AWE931 | AWM351-2200 | AWM352-2200 | AWM551-2200 |
| AA4411 | AWE951 | AWM351-3000 | AWM352-3000 | AWM551-3062 |
| AA5420 | AWM230 | AWM351-3050 | AWM352-3062 | AWM631 |
| AA5421 | AWM250 | AWM351-3059 | AWM352-3300 | AWM651 |
| AA6421 | AWM331 | AWM351-3062 | AWM432 | NA3812 |
| AA8431 | AWM332 | AWM351-3300 | AWM452 | NA4821 |
| AA9431 | AWM351 | AWM352 | AWM531 | NA6821 |
| | | | | NA8831 |

Graphic Panel, Control Hood and Controls (Drawing 1 of 4)

Models AA8431, AA9431, AWE852, AWE931, AWE951 and NA8831



W419P

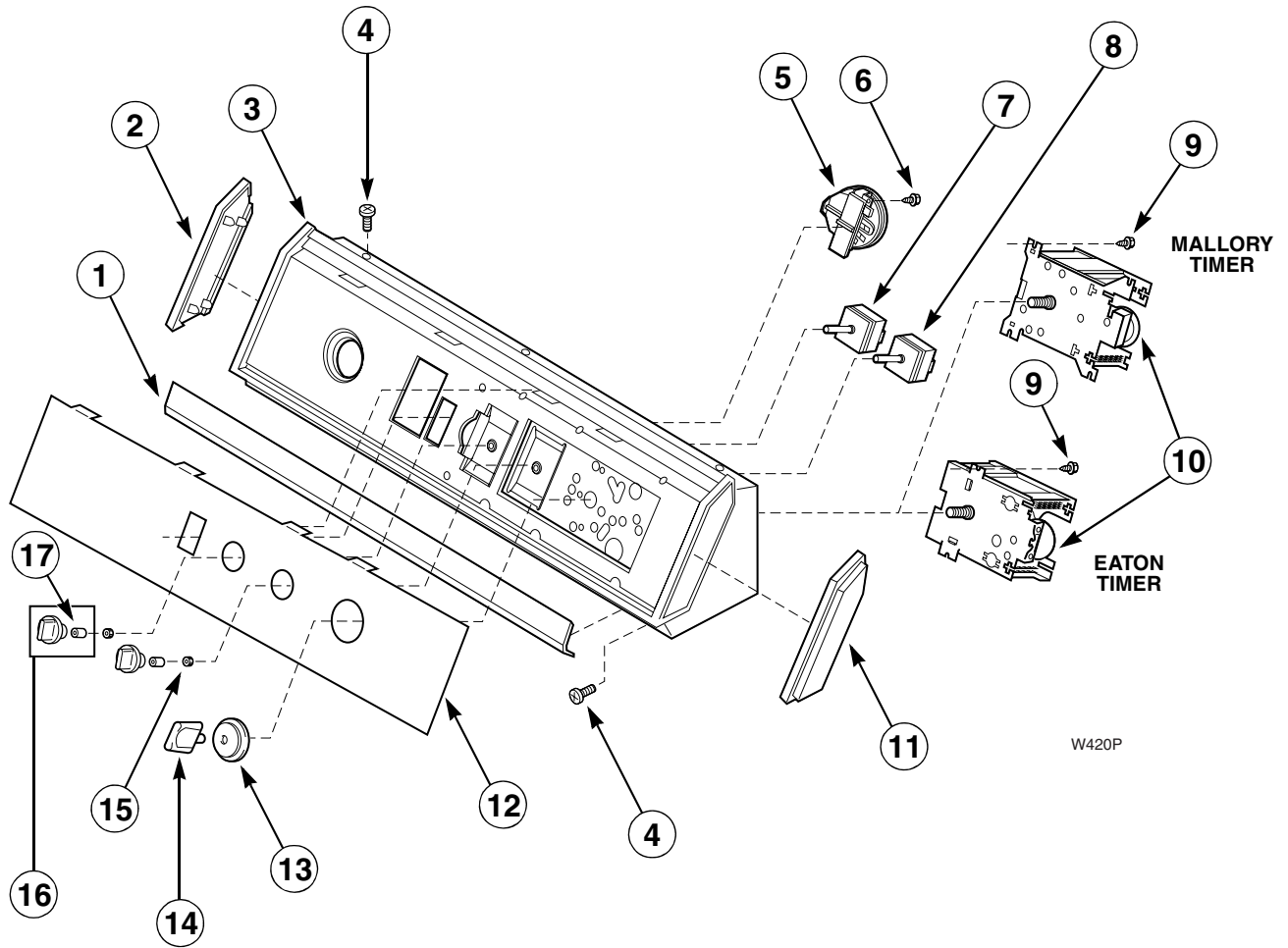
Graphic Panel, Control Hood and Controls (Drawing 1 of 4)

| REF | PART NO. | DESCRIPTION | COMMENTS |
|-----|----------|-----------------------------|---|
| 1 | 31249 | End Cap | Left |
| 2 | N/A | Control Hood | Models AA8431 and AA9431 |
| | 31224 | Control Hood | Models AWE852, AWE951 and NA8831; Black |
| | 33122 | Control Hood | Model AWE931; Gray/Beige |
| 3 | 31752 | Screw | Use with black hood |
| | N/A | Screw | Use with gray hood |
| 4 | 31266P | Rotary Pressure Switch | |
| 5 | 31260 | Screw | |
| 6 | 33927P | Electronic Control Assembly | Model AWE852 |
| | N/A | Electronic Control | All other models |
| 7 | 31248 | End Cap | Right |
| 8 | N/A | Graphic Panel | |
| 9 | 31286 | Knob Assembly | Models AA8431, AA9431 and NA8831 |
| | N/A | Knob Assembly | Models AWE852 and AWE951 |
| | 33688 | Knob Assembly | Model AWE931 |
| 10 | N/A | Clip | |
| 11 | 33123R | Trim | Models AWE852, AWE931 and AWE951 |

N/A = Part no longer available

Graphic Panel, Control Hood and Controls (Drawing 2 of 4)

Models AA6421, AWM631, AWM651 and NA6821



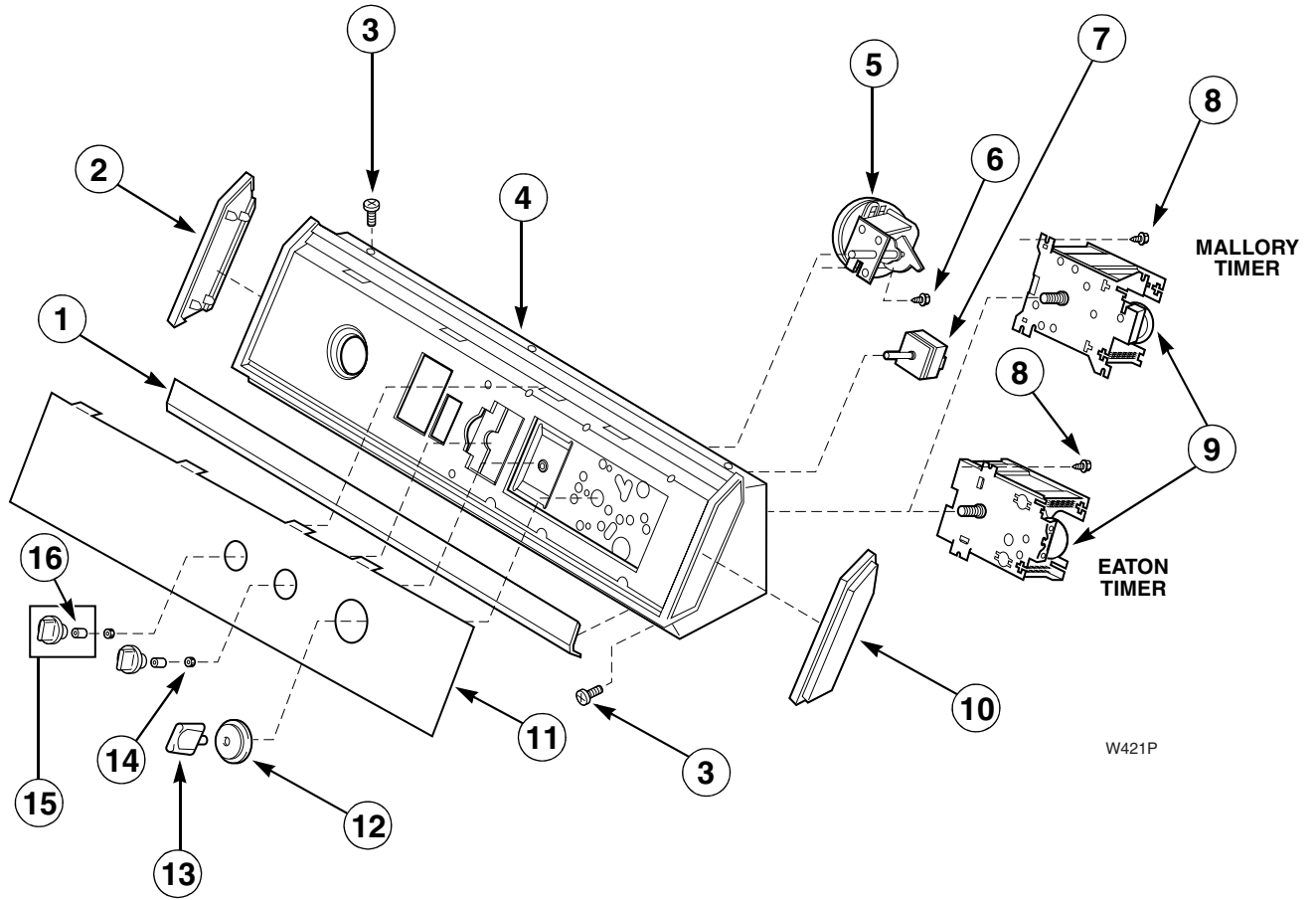
Graphic Panel, Control Hood and Controls (Drawing 2 of 4)

| REF | PART NO. | DESCRIPTION | COMMENTS |
|-----|----------|-----------------------|--------------------------|
| 1 | 33123R | Trim | Models AWM631 and AWM651 |
| 2 | 31249 | End Cap | Left |
| 3 | N/A | Control Hood Assembly | |
| 4 | 31752 | Screw | Use with black hood |
| | N/A | Screw | Use with gray hood |
| 5 | N/A | Slide Pressure Switch | Models AA6421 and NA6821 |
| | 33960 | Pressure Switch | Model AWM651 |
| | 33959 | Slide Pressure Switch | Model AWM631 |
| 6 | 31260 | Screw | |
| 7 | N/A | Temperature Switch | |
| 8 | 27500 | Speed Selector Switch | Models AA6421 and NA6821 |
| | N/A | Cycle Selector Switch | Models AWM631 and AWM651 |
| 9 | 23962 | Screw | |
| 10 | 32228P | Timer | Models AA6421 and NA6821 |
| | 31240P | Timer | Models AWM631 and AWM651 |
| 11 | 31248 | End Cap | Right |
| 12 | N/A | Graphic Panel | |
| 13 | 31279 | Timer Skirt Assembly | Models AA6421 and NA6821 |
| | 33817 | Timer Skirt Assembly | Models AWM631 and AWM651 |
| 14 | 31281 | Timer Knob Assembly | Models AA6421 and NA6821 |
| | 33897 | Timer Knob | Model AWM651 |
| | 33898W | Timer Knob | Model AWM631 |
| 15 | 57584 | Nut | |
| 16 | 31286 | Knob Assembly | Models AA6421 and NA6821 |
| | N/A | Knob Assembly | Model AWM651 |
| | 33688 | Knob Assembly | Model AWM631 |
| 17 | N/A | Retainer | |

N/A = Part no longer available

Graphic Panel, Control Hood and Controls (Drawing 3 of 4)

Models AA5420, AA5421, AWM531, AWM551, AWM551-2200, AWM551-3062 and NA4821



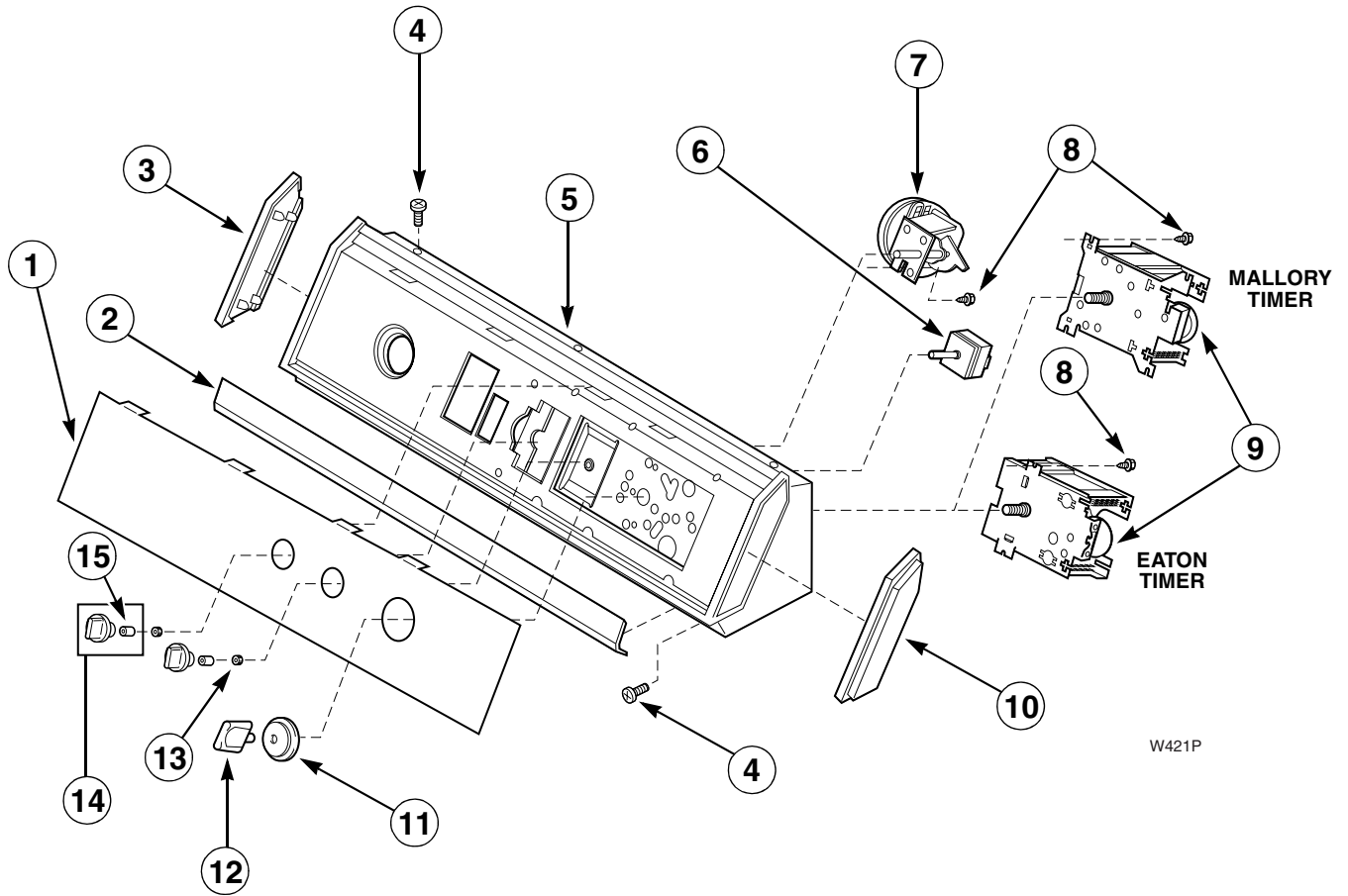
Graphic Panel, Control Hood and Controls (Drawing 3 of 4)

| REF | PART NO. | DESCRIPTION | COMMENTS |
|-----|----------|--------------------------|--|
| 1 | 33123R | Trim | Models AWM531, AWM551, AWM551-2200 and AWM551-3062 |
| 2 | 31249 | End Cap | Left |
| 3 | 31752 | Screw | Use with black hood |
| | N/A | Screw | Use with gray hood |
| 4 | 31735 | Control Hood Assembly | Models AA5420, AA5421, AWM551, AWM551-2200, AWM551-3062 and NA4821 |
| | N/A | Control Hood Assembly | Model AWM531 |
| 5 | 31266P | Rotary Pressure Switch | |
| 6 | 31260 | Screw | |
| 7 | 32189 | Water Temperature Switch | Models AWM531, AWM551, AWM551-2200 and AWM551-3062 |
| | 28118 | Water Temperature Switch | All other models |
| 8 | 23962 | Screw | |
| 9 | 32039P | Timer | Models AWM531, AWM551 and AWM551-2200 |
| | N/A | Timer | Model AWM551-3062 |
| | 31239P | Timer | All other models |
| 10 | 31248 | End Cap | Right |
| 11 | N/A | Graphic Panel | |
| 12 | 31279 | Timer Skirt Assembly | Models AA5420, AA5421 and NA4821 |
| | 33817 | Timer Skirt Assembly | Models AWM531, AWM551, AWM551-2200, AWM551-3062 |
| 13 | 31281 | Timer Knob Assembly | Models AA5420, AA5421 and NA4821 |
| | 33897 | Timer Knob | Model AWM551, AWM551-2200, AWM551-3062 |
| | 33898W | Timer Knob | Model AWM531 |
| 14 | 57584 | Nut | |
| 15 | 31286 | Knob Assembly | Models AA5420, AA5421 and NA4821 |
| | N/A | Knob Assembly | Model AWM551, AWM551-2200, AWM551-3062 |
| | 33688 | Knob Assembly | Model AWM531 |
| 16 | N/A | Retainer | |

N/A = Part no longer available

Graphic Panel, Control Hood and Controls (Drawing 4 of 4)

Models AA3410, AA4410, AA4411, AWM230, AWM250, AWM331, AWM332, AWM351, AWM351-1000, AWM351-2200, AWM351-3000, AWM351-3050, AWM351-3059, AWM351-3062, AWM351-3300, AWM352, AWM352-1000, AWM352-2200, AWM352-3000, AWM352-3062, AWM352-3300, AWM432, AWM452 and NA3812



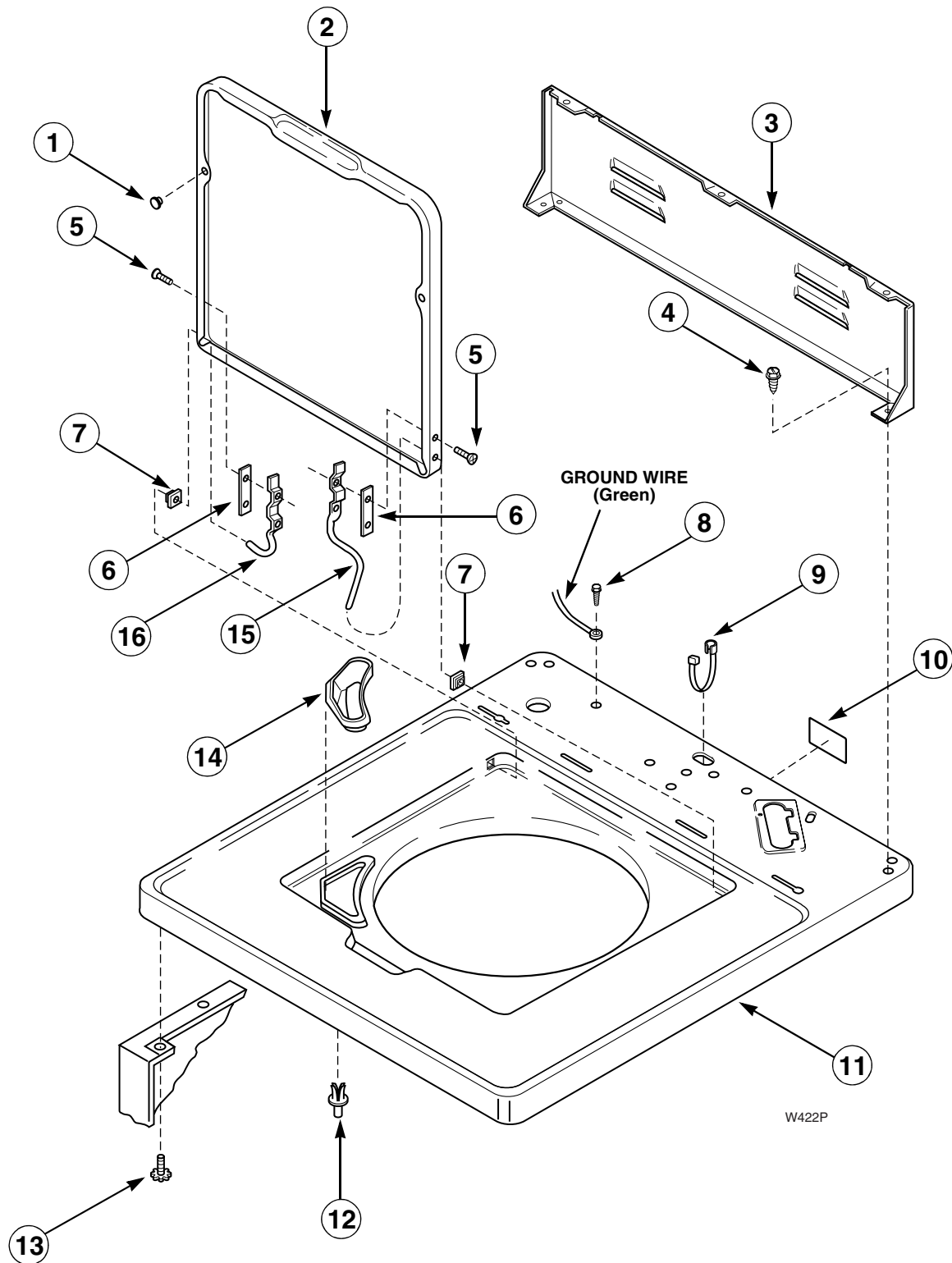
W421P

Graphic Panel, Control Hood and Controls (Drawing 4 of 4)

| REF | PART NO. | DESCRIPTION | COMMENTS |
|-----|----------|------------------------|--|
| 1 | N/A | Graphic Panel | |
| 2 | 33123R | Trim | Models AWM432 and AWM452 |
| 3 | 31249 | End Cap | Left |
| 4 | 31752 | Screw | Use with black hood |
| | N/A | Screw | Use with gray hood |
| 5 | N/A | Control Hood Assembly | Models AWM230, AWM331, AWM332 and AWM432 |
| | 31735 | Control Hood Assembly | All other models |
| 6 | 21300 | Temperature Switch | |
| 7 | 31266P | Rotary Pressure Switch | |
| 8 | 23962 | Screw | |
| 9 | 31239P | Timer | Models AA4410, AA4411, AWM331, AMW332, AWM351, AWM351-2200, AWM352, AWM352-2200, AWM432, AWM452 and NA3812 |
| | 31238P | Timer | Models AA3410, AWM230 and AWM250 |
| | 31243P | Timer | Models AWM351-1000 and AWM352-1000 |
| | 31241P | Timer | Models AWM351-3000, AWM351-3050, AWM351-3059, AWM351-3062, AWM352-3000 and AWM352-3062 |
| | N/A | Timer | Models AWM351-3300 and AWM352-3300 |
| 10 | 31248 | End Cap | Right |
| 11 | 31279 | Timer Skirt Assembly | Models AA3410, AA4410, AA4411 and NA3812 |
| | 33817 | Timer Skirt Assembly | All other models |
| 12 | 31281 | Timer Knob Assembly | Models AA3410, AA4410, AA4411 and NA3812 |
| | 33898W | Timer Knob | Models AWM230, AWM331, AWM332 and AWM432 |
| | 33897 | Timer Knob | All other models |
| 13 | 57584 | Nut | |
| 14 | 31286 | Knob Assembly | Models AA3410, AA4410, AA4411 and NA3812 |
| | 33688 | Knob Assembly | Models AWM230, AWM331, AWM332 and AWM432 |
| | N/A | Knob Assembly | All other models |
| 15 | N/A | Retainer | |

N/A = Part no longer available

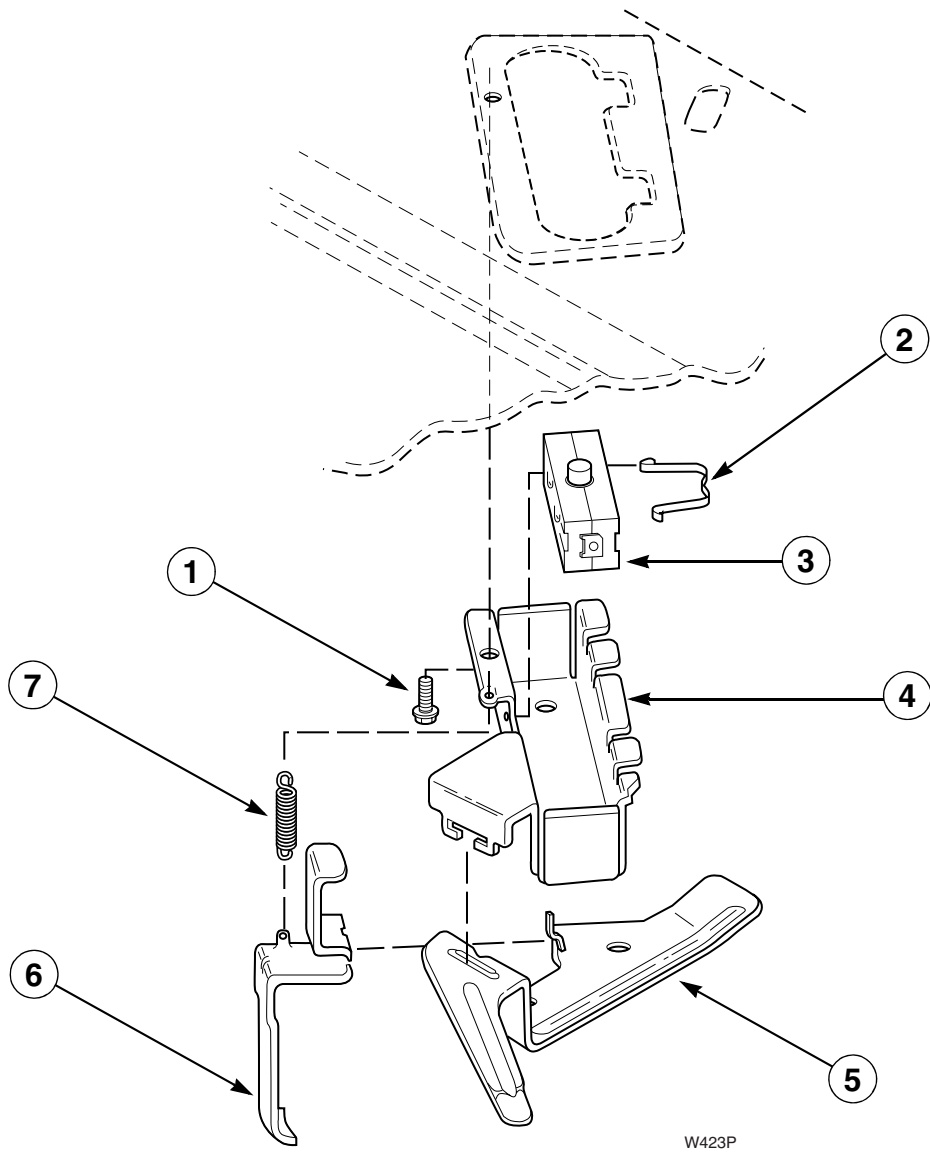
Top, Lid and Hood Back Panel



Top, Lid and Hood Back Panel

| REF | PART NO. | DESCRIPTION | COMMENTS |
|-----|----------|--------------------------------|----------------------|
| 1 | 21685 | Bumper | |
| 2 | 33541WP | Lid | White; Timer models |
| | 33541LP | Lid | Almond; Timer models |
| | 34199WP | Lid | Electronic models |
| 3 | 37782 | Hood Back Panel | |
| 4 | 23962 | Screw | |
| 5 | 34337 | Screw | |
| 6 | 34338 | Hinge Gasket | |
| 7 | 33446 | Bushing | |
| 8 | 52909 | Screw | |
| 9 | 38384 | Strain Relief | |
| 10 | 505281 | Disconnect Power Warning Label | |
| 11 | 34902WP | Top Assembly | White |
| | 34902LP | Top Assembly | Almond |
| 12 | 56534 | Support Barrel | |
| 13 | 33562 | Screw | |
| 14 | 34776 | Bleach Dispenser | |
| 15 | 36437 | Lid Hinge | Right |
| 16 | 36438 | Lid Hinge | Left |

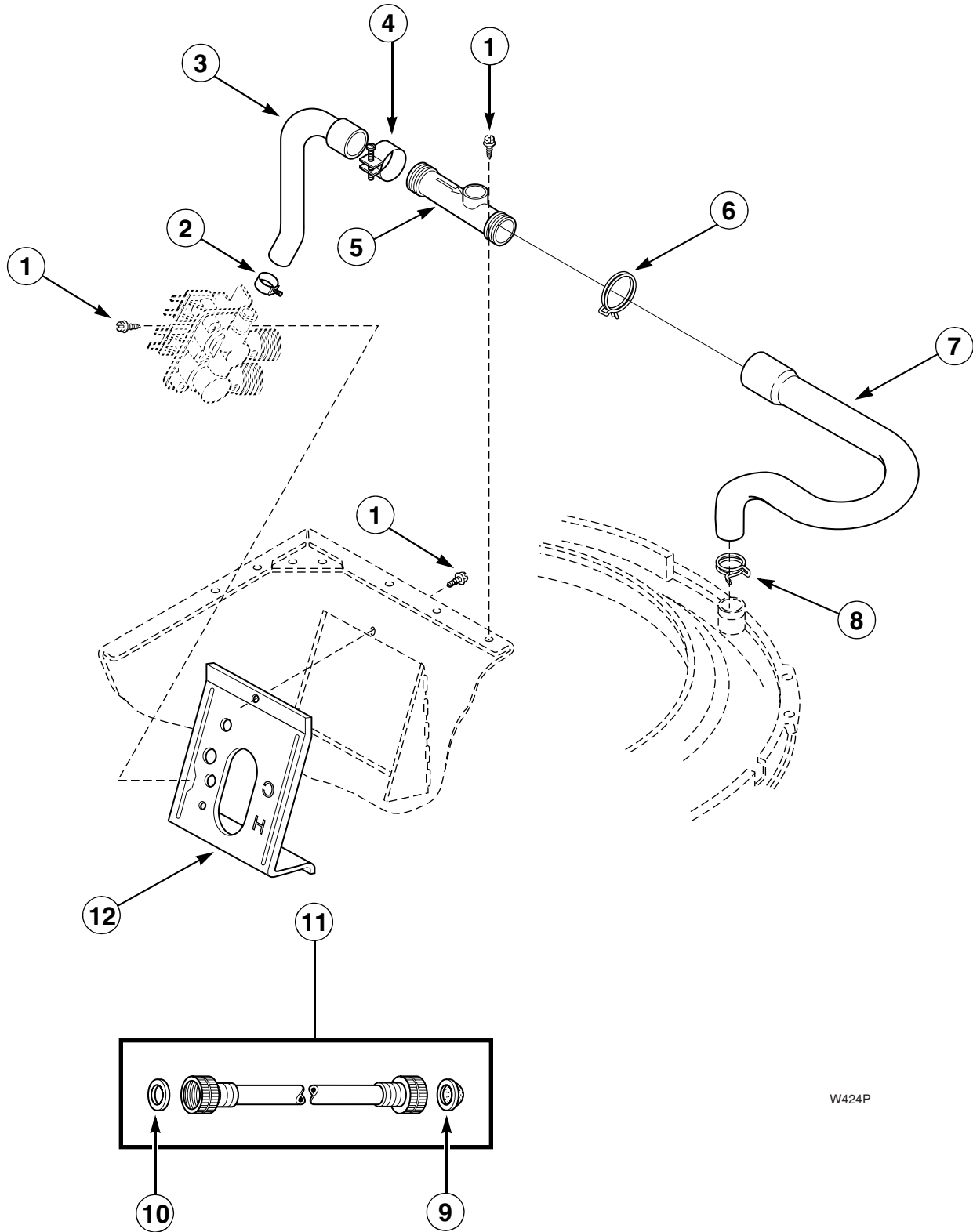
Door and Out-Of-Balance Switch



Door and Out-Of-Balance Switch

| REF | PART NO. | DESCRIPTION | COMMENTS |
|-----|----------|-----------------------|----------|
| 1 | 23962 | Screw | |
| 2 | 33433 | Switch Holder Clip | |
| 3 | 33445 | Switch | |
| 4 | 36497P | Switch Holder Kit | |
| 5 | 33441 | Actuator Arm | |
| 6 | 33442 | Unbalanced Load Lever | |
| 7 | 33443 | Spring | |

Water Inlet Hose, Fill Hose, Back Flow Preventer and Mixing Valve Mounting Bracket



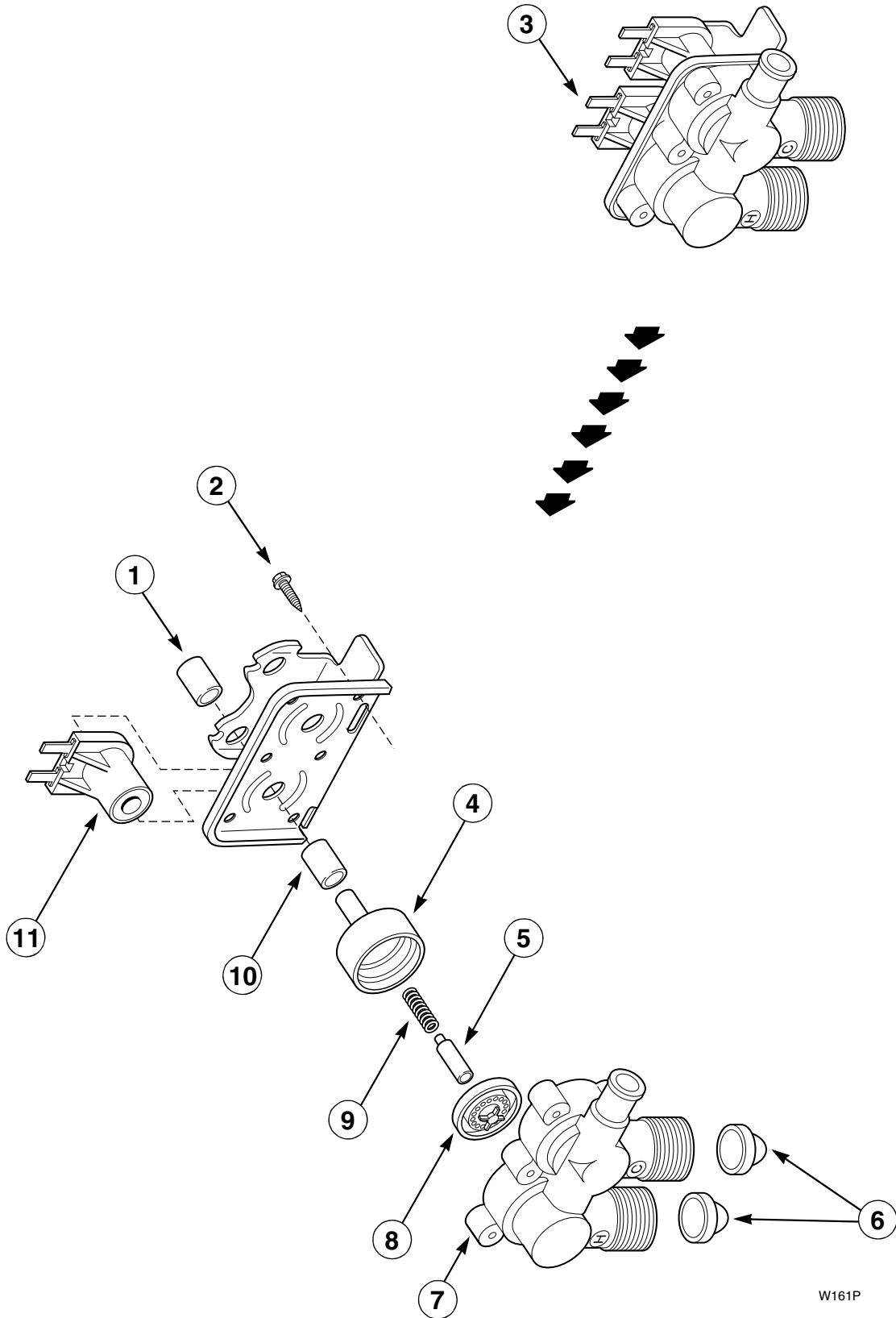
W424P

Water Inlet Hose, Fill Hose, Back Flow Preventer and Mixing Valve Mounting Bracket

| REF | PART NO. | DESCRIPTION | COMMENTS |
|-----|----------|-------------------------------|---|
| 1 | 23962 | Screw | |
| 2 | 36801 | Hose Clamp | |
| 3 | 27183 | Mixing Valve Hose | |
| 4 | 20211 | Hose Clamp | |
| 5 | 34280 | Backflow Preventer Assembly | |
| 6 | 35370 | Hose Clamp | Green |
| 7 | 33186 | Water Inlet Hose | |
| 8 | 29210 | Hose Clamp | Gold |
| 9 | F270300 | Filter Screen | |
| 10 | 20290 | Washer | |
| 11 | 28330P | Fill Hose Kit | 4 feet; Hose is equipped with 2 standard hose couplings; Includes item 7 |
| | 20617 | Fill Hose | 8 feet; Hose is equipped with 2 standard hose couplings |
| | 20618 | Fill Hose | 10 feet; Hose is equipped with 2 standard hose couplings |
| | 38349P | Fill Hose Kit | 5 feet; Hose is equipped with 1 metric and 1 standard hose coupling; Includes item 7 |
| | 37380 | Fill Hose | 8 feet; Hose is equipped with 1 metric and 1 standard hose coupling |
| | 37381 | Fill Hose | 10 feet; Hose is equipped with 1 metric and 1 standard hose coupling |
| 12 | 39407 | Mixing Valve Mounting Bracket | |

Mixing Valve Assembly

Eaton Company



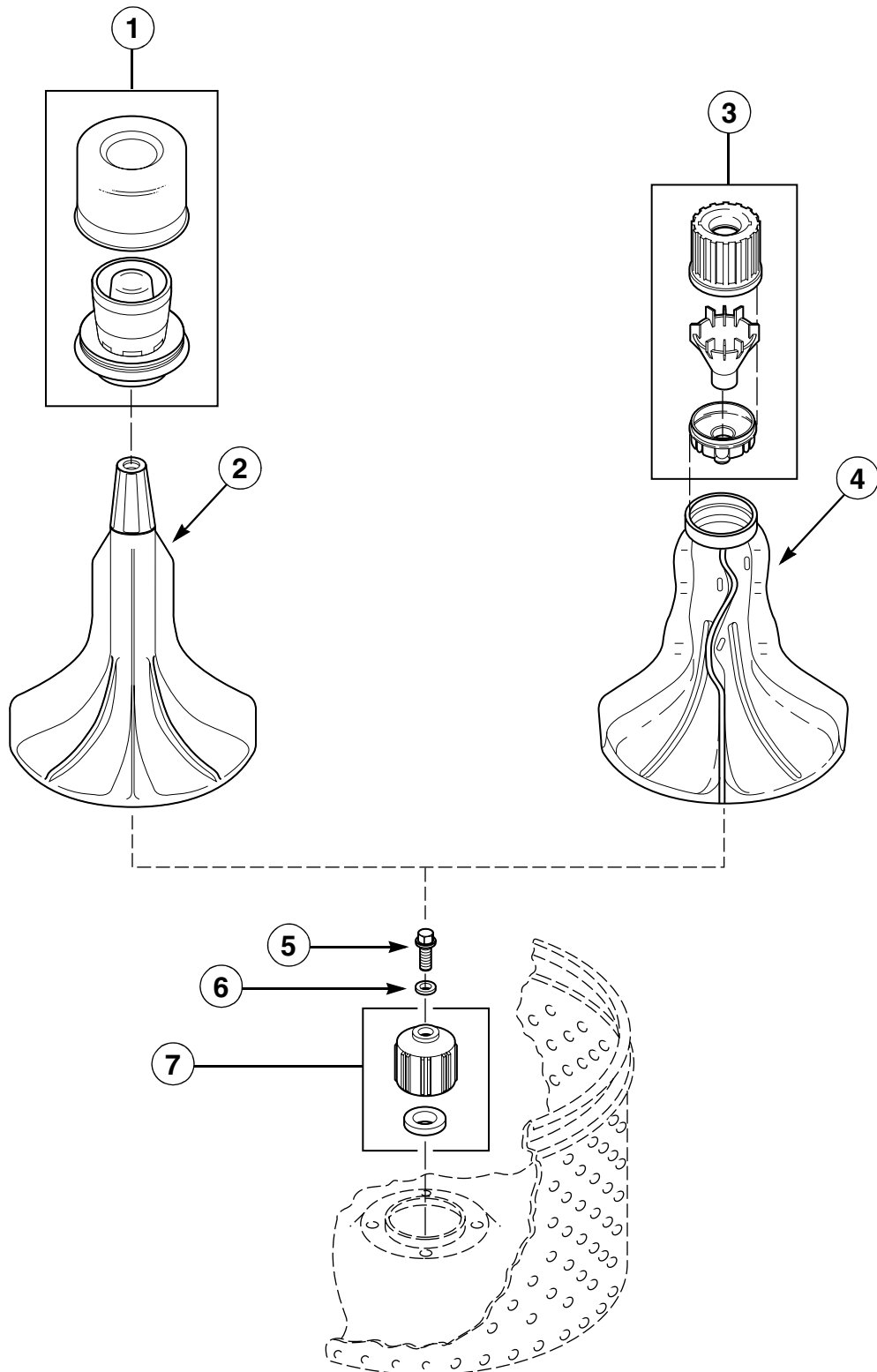
W161P

Mixing Valve Assembly

| REF | PART NO. | DESCRIPTION | COMMENTS |
|-----|----------|-----------------------|---|
| 1 | N/A | Sleeve | Long |
| 2 | N/A | Screw | |
| 3 | 35856P | Mixing Valve | Models AWM351-3000, AWM351-3050, AWM351-3059, AWM351-3062, AWM351-3300, AWM352-3000, AWM352-3062, AWM352-3300 and AWM551-3062 |
| | 33930P | Mixing Valve | All other models |
| 4 | N/A | Armature Guide | |
| 5 | N/A | Armature | |
| 6 | F270200 | Strainer | |
| 7 | N/A | Valve Body | Yellow |
| 8 | N/A | Diaphragm | |
| 9 | N/A | Spring | |
| 10 | N/A | Sleeve | Short |
| 11 | 33930A | Mixing Valve Solenoid | 120 Volt |

N/A = Part no longer available

Agitator, Drive Bell and Seal Seat

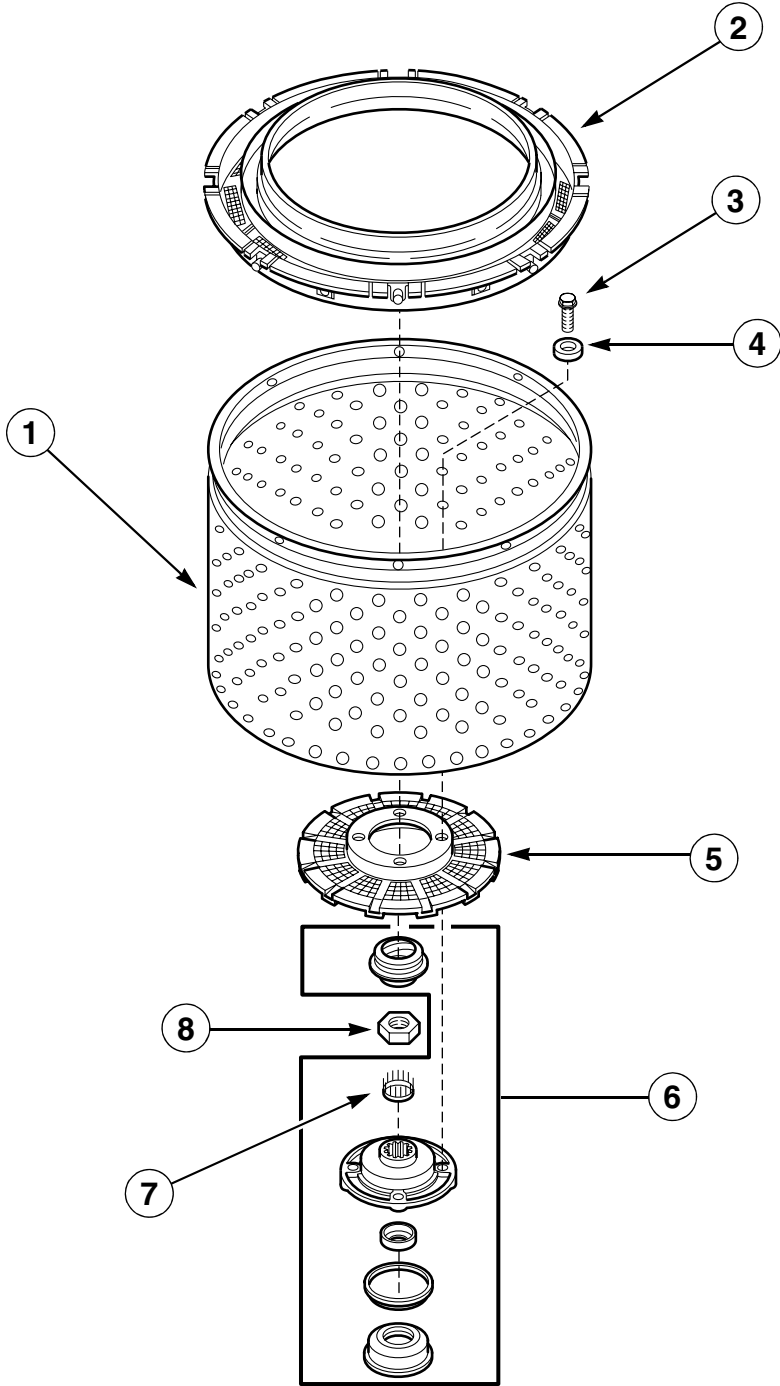


W425P

Agitator, Drive Bell and Seal Seat

| REF | PART NO. | DESCRIPTION | COMMENTS |
|-----|----------|------------------------------------|--|
| 1 | 33510 | Fabric Softener Dispenser Assembly | Optional |
| 2 | 33514 | Agitator | Models AA3410, AA4410, AA4411, AWM230, AWM250, AWM331, AWM332, AWM351, AWM351-1000, AWM351-2200, AWM351-3000, AWM351-3050, AWM351-3059, AWM351-3062, AWM351-3300, AWM352, AWM352-1000, AWM352-2200, AWM352-3000, AWM352-3062, AWM352-3300, AWM432, AWM452 and NA3812 |
| 3 | 36542 | Fabric Softener Dispenser Assembly | |
| 4 | 33174 | Agitator | Models AA5420, AA5421, AA6421, AA8431, AA9431, AWE852, AWE931, AWE951, AWM531, AWM551, AWM551-2200, AWM551-3062, AWM631, AWM651, NA4821, NA6821 and NA8831 |
| 5 | 39432 | Screw | |
| 6 | 36472 | O-Ring | |
| 7 | 39508P | Drive Bell and Seal Kit | Includes items 5, 6 and the seal head |

Clothes Guard, Washtub, Lint Filter and Hub

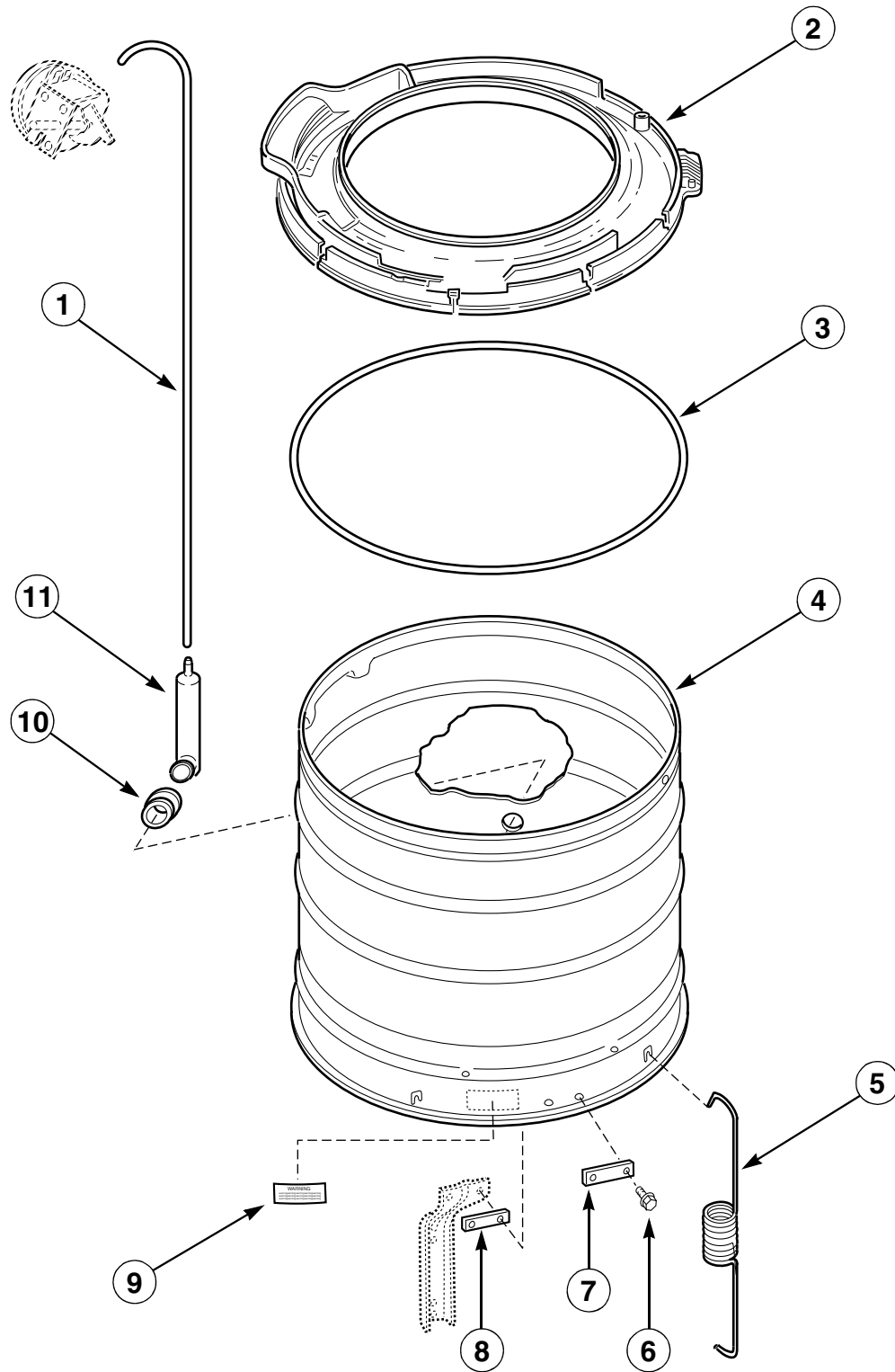


W153P

Clothes Guard, Washtub, Lint Filter and Hub

| REF | PART NO. | DESCRIPTION | COMMENTS |
|-----|----------|------------------|--|
| 1 | 39387P | Tub Assembly | Stainless steel |
| | 39252P | Tub Assembly | Blue porcelain |
| | 39248P | Tub Assembly | White porcelain |
| 2 | 35035 | Clothes Guard | |
| 3 | 27202 | Screw | |
| 4 | 28094 | Washer | |
| 5 | 39371 | Lint Filter | |
| 6 | 495P3 | Hub and Seal Kit | Includes 32857 Tub Cover Gasket and 39508P Drive Bell and Seal Kit |
| 7 | 29728 | Spline Insert | |
| 8 | 29220 | Nut | |

Outer Tub, Cover and Pressure Hose



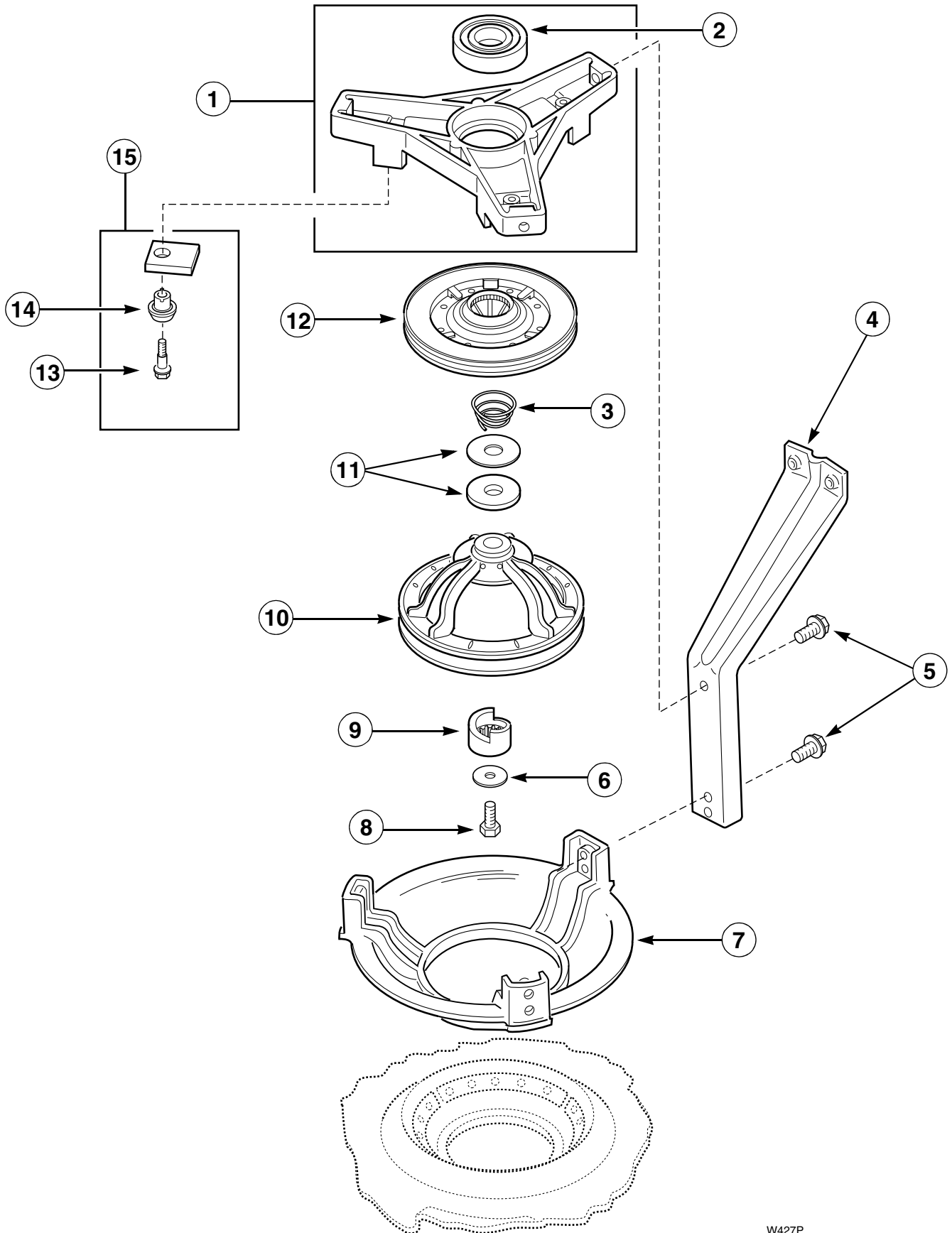
W426P

Outer Tub, Cover and Pressure Hose

| REF | PART NO. | DESCRIPTION | COMMENTS |
|-----|----------|--------------------|---------------------------|
| 1 | 39125 | Tubing | |
| 2 | 33184P | Outer Tub Cover | |
| 3 | 32857 | Tub Cover Gasket | |
| 4 | 33178P | Outer Tub Assembly | Includes (3) of 27222 Nut |
| 5 | 27239 | Leg Spring | |
| 6 | 35369 | Screw | |
| 7 | 27926 | Leg Plate | .063 inches thick |
| 8 | N/A | Leg Plate | .032 inches thick |
| 9 | N/A | Warning Sticker | |
| 10 | 29175 | Grommet | |
| 11 | 30907 | Pressure Bulb | |

N/A = Part no longer available

Bearing Housing, Brake, Pulley and Pivot Dome

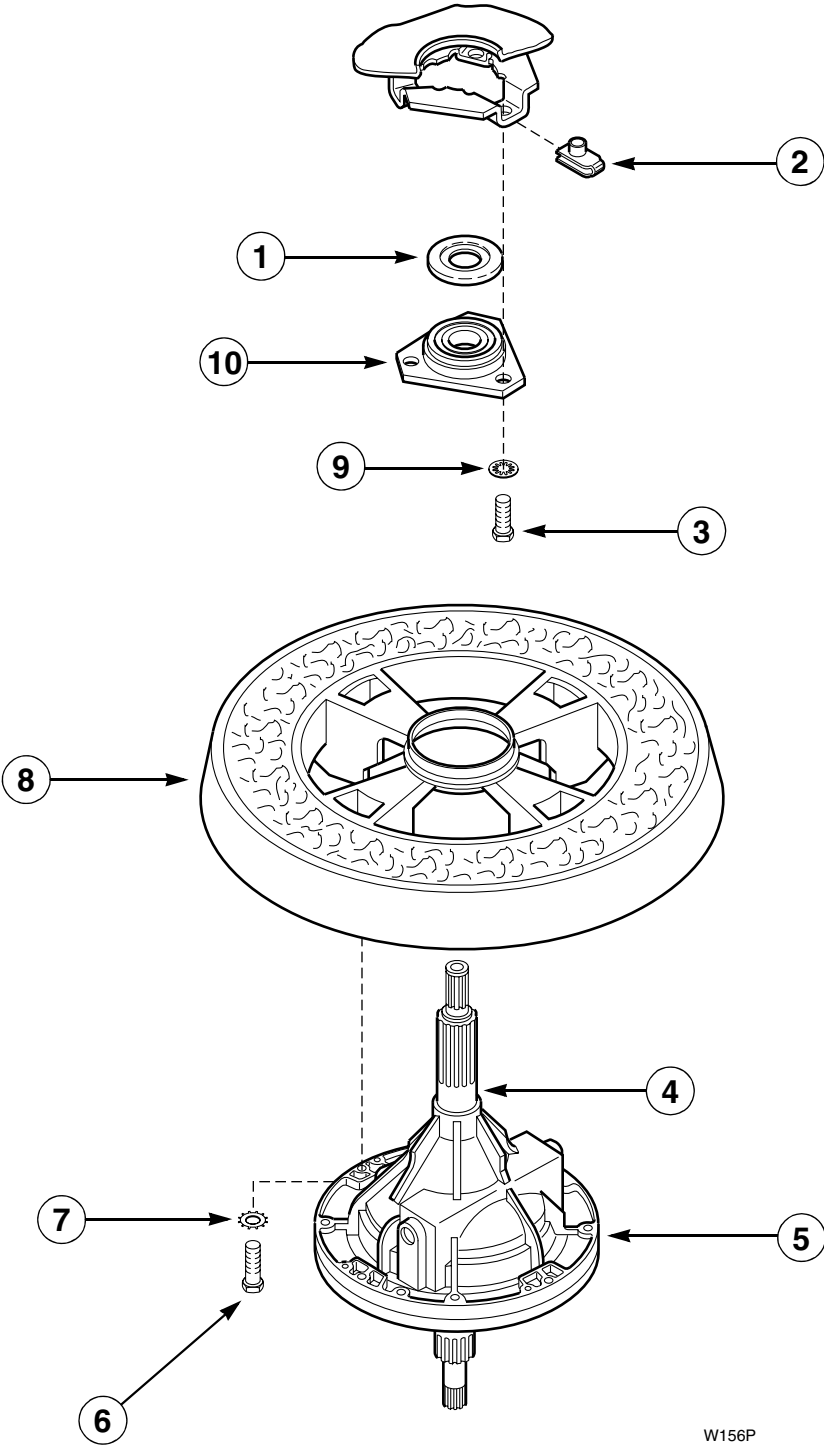


W427P

Bearing Housing, Brake, Pulley and Pivot Dome

| REF | PART NO. | DESCRIPTION | COMMENTS |
|-----|----------|--------------------------|-------------------------------|
| 1 | 35746 | Bearing Housing Assembly | |
| 2 | 28944RP | Upper and Lower Bearing | |
| 3 | 33435 | Spring | |
| 4 | 27090 | Support Leg | |
| 5 | 35369 | Screw | |
| 6 | 26509 | Washer | |
| 7 | 27124 | Pivot Dome | |
| 8 | 27220 | Screw | |
| 9 | 27018 | Helix | |
| 10 | 34232P | Pulley and Washers Kit | |
| 11 | 32651 | Washer | 2 required |
| 12 | 38505P | Brake Kit | Includes item 15 |
| 13 | 26547 | Screw | |
| 14 | 29993 | Anti-Rotation Sleeve | |
| 15 | 548P3 | Brake Pad Kit | Includes 3 pads and 3 sleeves |

Transmission Assembly and Balance Ring



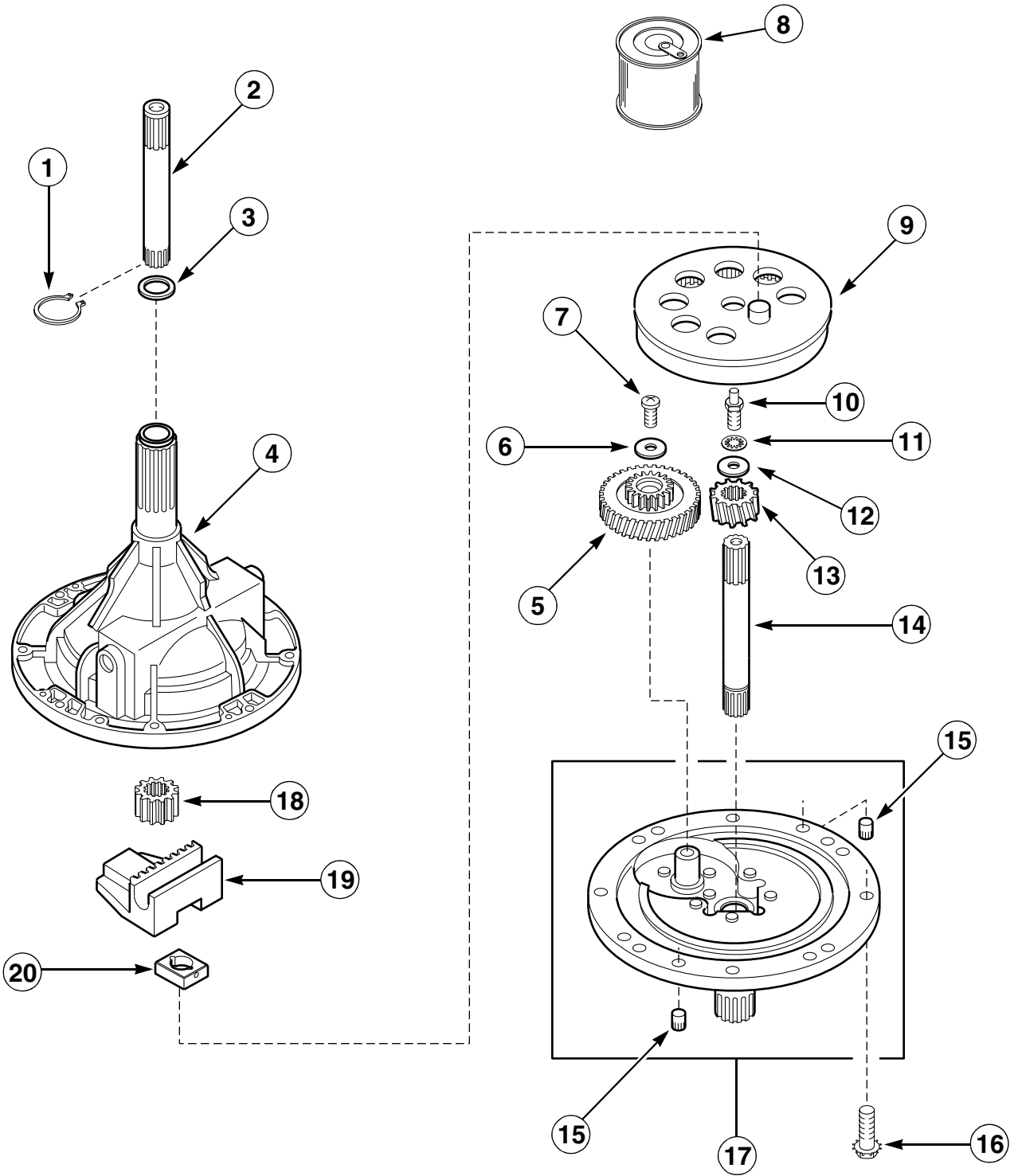
W156P

Transmission Assembly and Balance Ring

| REF | PART NO. | DESCRIPTION | COMMENTS |
|-----|----------|--------------------------|---|
| 1 | 27187 | Flinger | |
| 2 | 27222 | Nut | Included with 33178 Outer Tub Assembly |
| 3 | M400057 | Screw | |
| 4 | 27604P | Anti-Seize Compound | Apply to this area of both the upper and lower transmission tubes |
| 5 | 33227P | Transmission Assembly | |
| 6 | N/A | Screw | |
| 7 | 02431 | Washer | |
| 8 | 34731P | Balance Ring Assembly | |
| 9 | JC-43336 | Washer | |
| 10 | 27182 | Bearing Housing Assembly | Upper |

N/A = Part no longer available

Components for 33227P Transmission Assembly



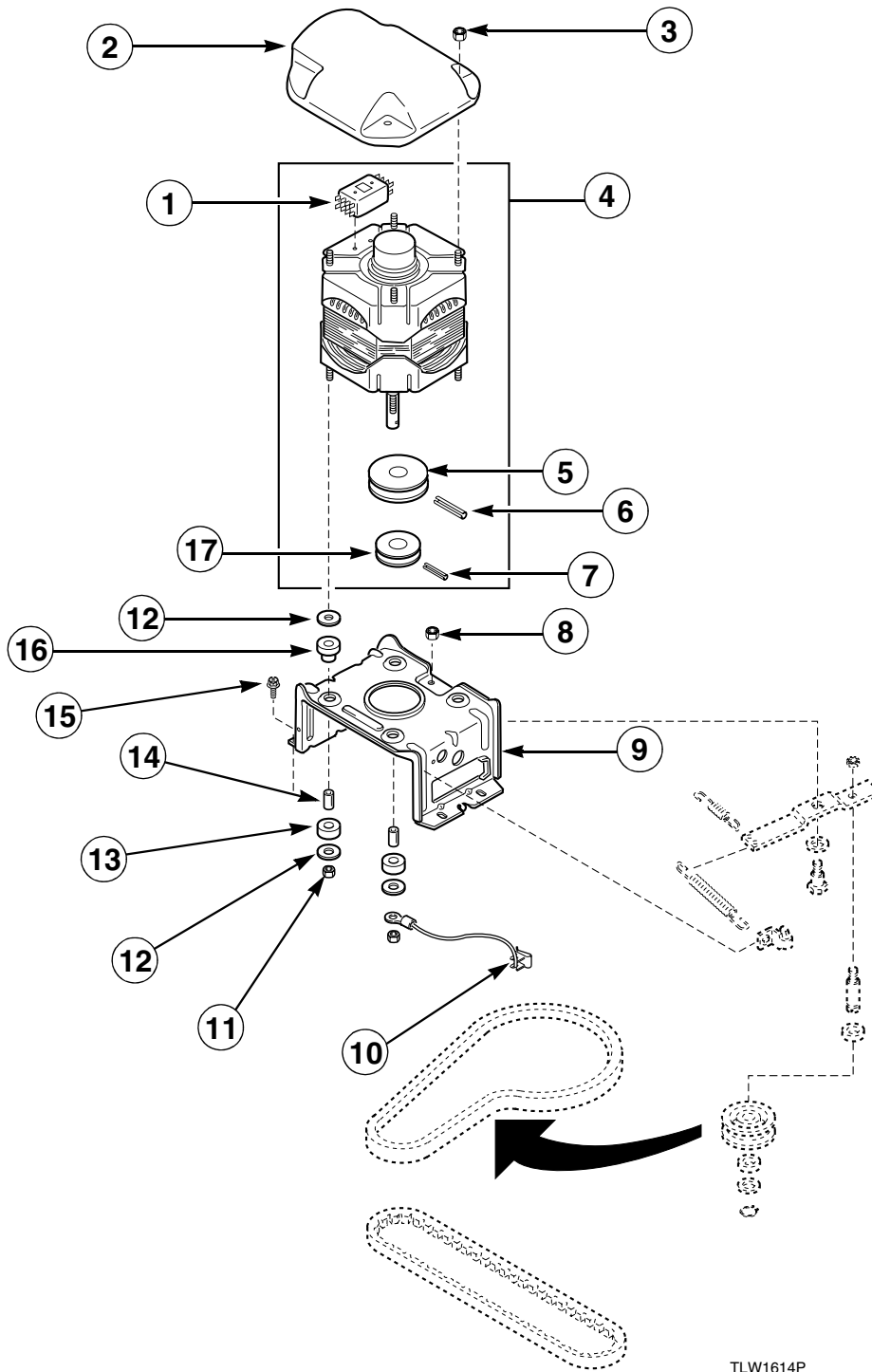
W157P

Components for 33227P Transmission Assembly

| REF | PART NO. | DESCRIPTION | COMMENTS |
|-----|----------|-----------------------------|----------|
| 1 | 27197 | Retaining Ring | |
| 2 | 36570P | Output Shaft | |
| 3 | 20212 | Washer | |
| 4 | 33223P | Transmission Case Assembly | |
| 5 | 29161 | Reduction Gear | |
| 6 | 29260 | Washer | |
| 7 | 29273 | Screw | |
| 8 | 27243P | Transmission Oil | 1 fill |
| 9 | 26577 | Gear and Stud Assembly | |
| 10 | 201773 | Screw | |
| 11 | 21456 | Washer | |
| 12 | 26509 | Washer | |
| 13 | 36562 | Drive Pinion | |
| 14 | 27081P | Input Shaft | |
| 15 | N/A | Dowel Pin | |
| 16 | 32814 | Screw | |
| 17 | 38287P | Transmission Cover Assembly | |
| 18 | 27003 | Agitator Pinion | |
| 19 | 201664 | Rack | |
| 20 | 26493 | Slide | |

N/A = Part no longer available

Motor and Mounting Bracket



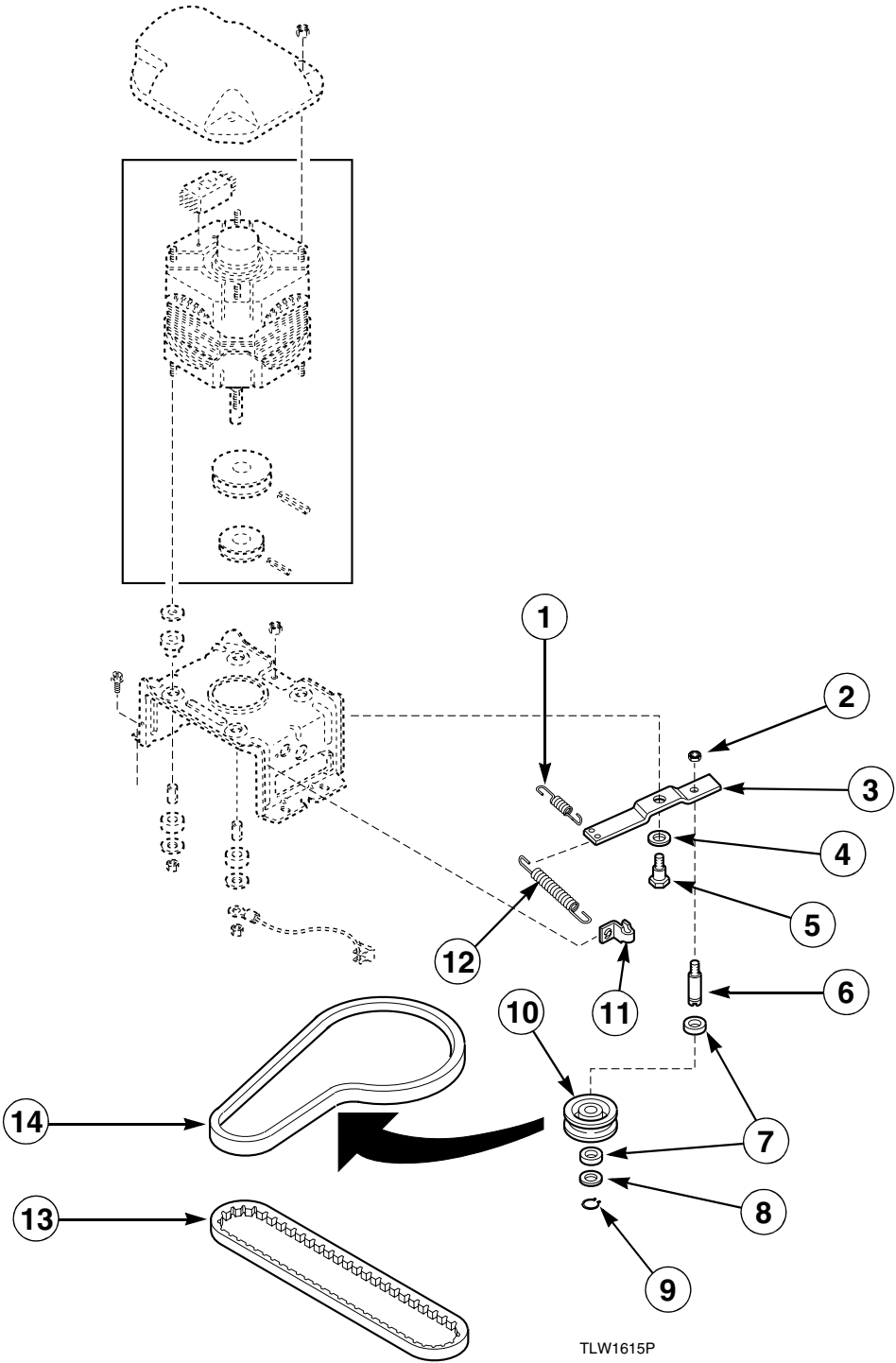
TLW1614P

Motor and Mounting Bracket

| REF | PART NO. | DESCRIPTION | COMMENTS |
|-----|----------|---------------------------|--|
| | 258P3 | Capacitor Kit | For use in areas where low voltage exists |
| 1 | N/A | Motor Switch | |
| 2 | 27136 | Motor Shield | |
| 3 | N/A | Nut | |
| 4 | 27658P | Motor Kit | 1 speed; 120 Volt/60 Hertz/1 Phase; Models AA3410, AA4410, AA4411, AA8431, AA9431, AWE852, AWE931, AWE951, AWM230, AWM250, AWM331, AWM332, AWM351, AWM351-2200, AWM352, AWM352-2200, NA3812 and NA8831 |
| | 27179P | Motor Kit | 2 speed; 120 Volt/60 Hertz/1 Phase; Models AA5420, AA5421, AA6421, AWM432, AWM452, AWM531, AWM551, AWM551-2200, AWM631, AWM651, NA4821 and NA6821 |
| | N/A | Motor Kit | 1 speed; 110 Volt/50 Hertz/1 Phase; Models AWM351-1000 and AWM352-1000 |
| | N/A | Motor Assembly | 1 speed; 240 Volt/60 Hertz/1 Phase; Models AWM351-3300 and AWM352-3300 |
| | 30010P | Motor Kit | 1 speed; 230 Volt/50 Hertz/1 Phase; Models AWM351-3000, AWM351-3050, AWM351-3059, AWM351-3062, AWM352-3000, AWM352-3062 |
| | N/A | Motor and Pulley Assembly | 2 speed; 230 Volt/50 Hertz/1 Phase; Model AWM551-3062 |
| 5 | N/A | Drive Motor Pulley | |
| 6 | N/A | Roll Pin | |
| 7 | 28087 | Roll Pin | Models AWM351-1000, AWM351-3000, AWM351-3050, AWM351-3059, AWM351-3062, AWM352-1000, AWM352-3000, AWM352-3062 and AWM551-3062 |
| | 10416 | Roll Pin | All other models |
| 8 | 52566 | Nut | |
| 9 | 28791 | Motor Mount Bracket | |
| 10 | 00161 | Grounding Clip | |
| 11 | 23604 | Nut | |
| 12 | 03888 | Washer | |
| 13 | N/A | Rubber Motor Mount | Lower |
| 14 | N/A | Motor Spacer | |
| 15 | 503661 | Screw | |
| 16 | N/A | Rubber Motor Mount | Upper |
| 17 | N/A | Pump Motor Pulley | Models AWM351-1000, AWM351-3000, AWM351-3050, AWM351-3059, AWM351-3062, AWM352-1000, AWM352-3000, AWM352-3062 and AWM551-3062 |
| | 27104 | Motor Pulley | Pump; All other models |

N/A = Part no longer available

Belts and Idler Assembly



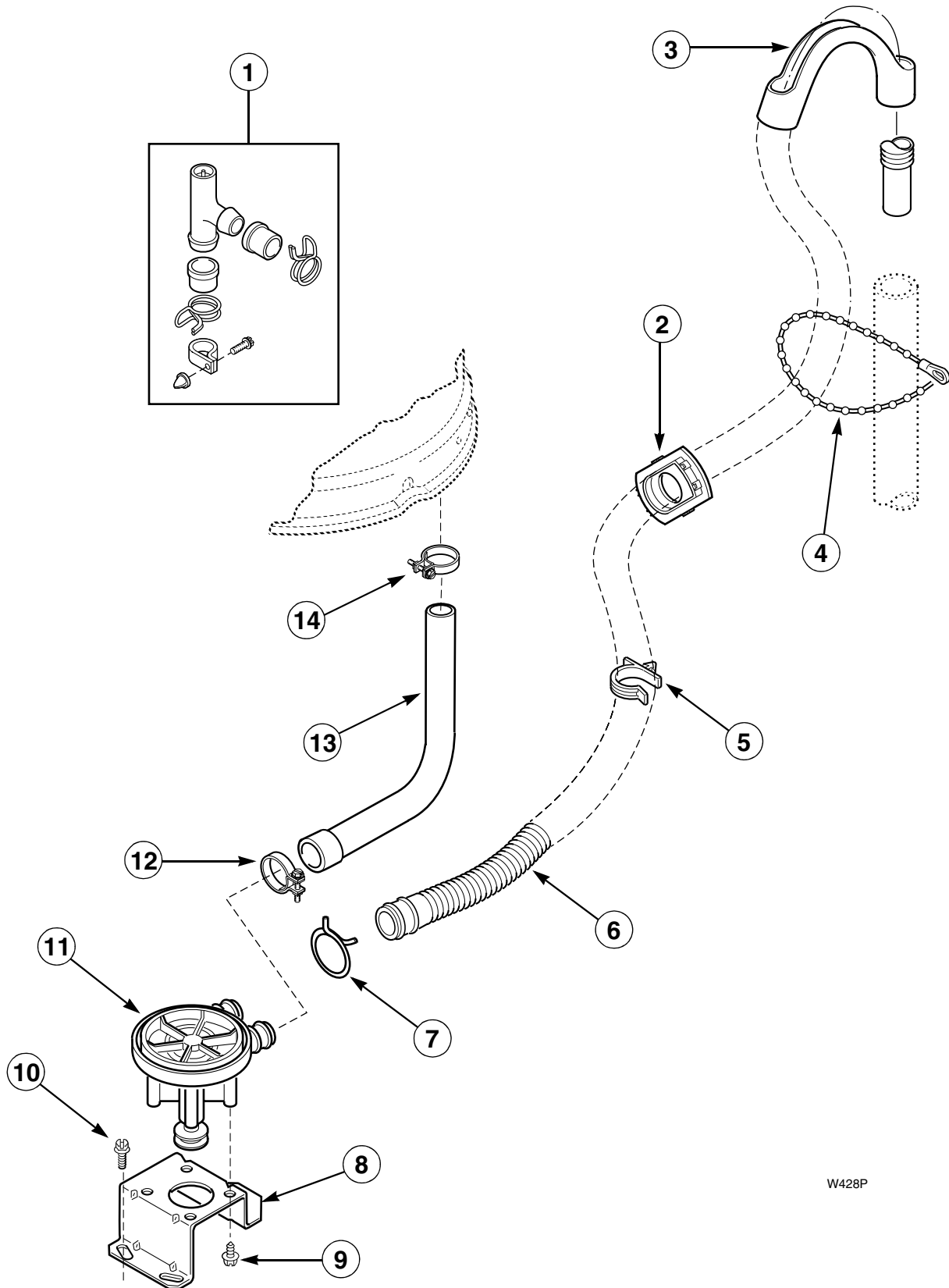
TLW1615P

Belts and Idler Assembly

| REF | PART NO. | DESCRIPTION | COMMENTS |
|-----|----------|---------------------------|---|
| 1 | N/A | Idler Lever Helper Spring | |
| 2 | 28803 | Nut | |
| 3 | 31054 | Idler Lever | |
| 4 | 81392 | Washer | |
| 5 | 27229 | Screw | |
| 6 | 28802P | Idler Shaft | |
| 7 | 29443 | Washer | Felt |
| 8 | 52549 | Washer | Nylatron |
| 9 | 23748 | Retaining Ring | |
| 10 | 28800P | Idler Pulley | |
| 11 | 28849 | Spring Clip | |
| 12 | 37366 | Idler Spring | |
| 13 | 28043 | Pump Belt | Models AWM351-1000, AWM351-3000, AWM351-3050, AWM351-3059, AWM351-3062, AWM352-1000, AWM352-3000, AWM352-3062 and AWM551-3062 |
| | 27155 | Pump Belt | All other models |
| 14 | 33843 | Belt | Agitate and spin; Models AWM351-1000, AWM351-3000, AWM351-3050, AWM351-3059, AWM351-3062, AWM352-1000, AWM352-3000, AWM352-3062 and AWM551-3062 |
| | 28808 | Belt | Agitate and spin; All other models |

N/A = Part no longer available

Pump Assembly, Bracket, Hoses and Siphon Break Kit



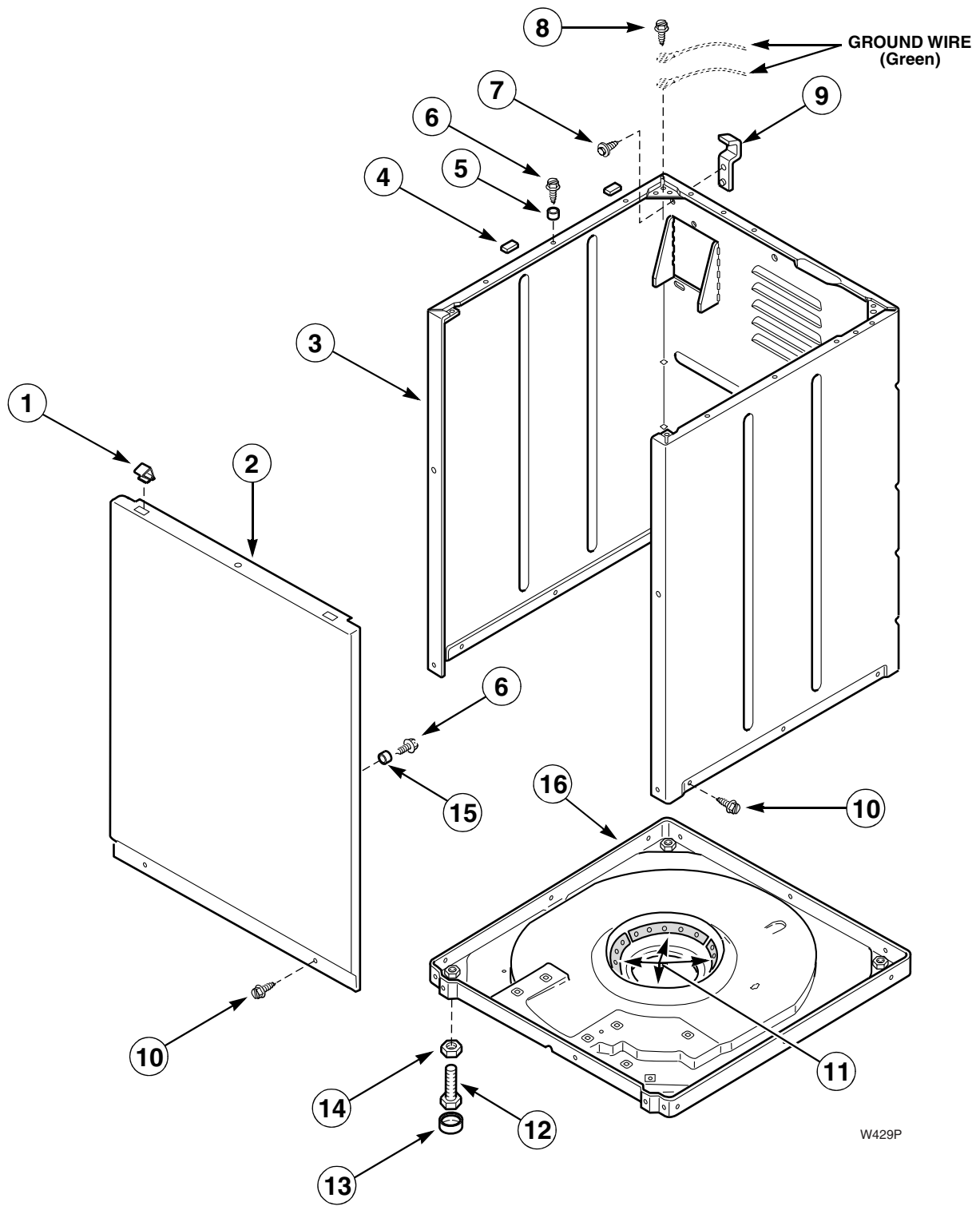
W428P

Pump Assembly, Bracket, Hoses and Siphon Break Kit

| REF | PART NO. | DESCRIPTION | COMMENTS |
|-----|----------|------------------------|---|
| | 451P3 | Drain Extension Kit | Use with 20616 Drain Hose; Order by the foot, as required |
| 1 | 562P3 | Siphon Break Kit | Must be installed in drain hose if the drain receptacle is lower than the cabinet top of the washer |
| 2 | 32219 | Strain Relief | |
| 3 | 33615 | Drain Hose Sleeve | |
| 4 | 33489 | Standpipe Strap | |
| 5 | N/A | Hose Clamp | |
| 6 | 39953 | Drain Hose | |
| 7 | 20211 | Hose Clamp | |
| 8 | 27105 | Pump Mounting Bracket | |
| 9 | N/A | Screw | |
| 10 | 503661 | Screw | |
| 11 | 31969 | Pump Assembly | |
| 12 | 20211 | Hose Clamp | |
| 13 | 27160 | Drain Tub-to-Pump Hose | |
| 14 | 20391 | Hose Clamp | |

N/A = Part no longer available

Front Panel, Cabinet and Base

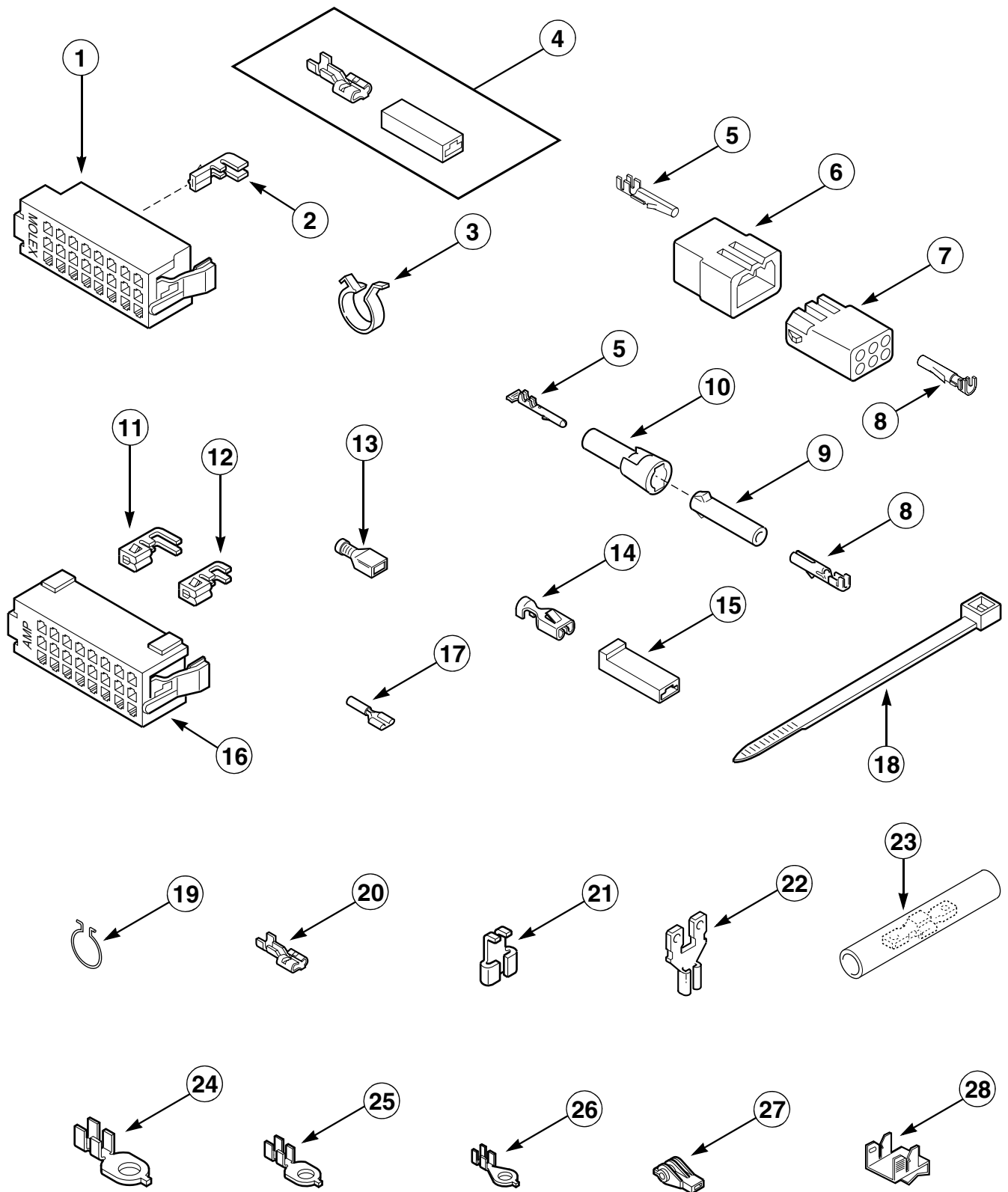


W429P

Front Panel, Cabinet and Base

| REF | PART NO. | DESCRIPTION | COMMENTS |
|-----|----------|---------------------|---|
| | 26594P | Silicone Grease | For pads in base |
| 1 | 28835 | Speed Clip | |
| 2 | 32708WP | Front Panel | White |
| | 32708LP | Front Panel | Almond |
| 3 | 38612WP | Service Cabinet Kit | White |
| | 38612LP | Service Cabinet Kit | Almond |
| 4 | 56128 | Bumper Pad | |
| 5 | 56079 | Panel Locator | |
| 6 | 39733 | Screw | |
| 7 | 51780 | Screw | |
| 8 | 23962 | Screw | |
| 9 | 27103 | Hold-Down Lug Hinge | |
| 10 | 27196 | Screw | |
| 11 | 434P3 | Snubber Pad Kit | Includes 4 pads |
| 12 | 34319 | Leveling Leg | Use with 34318 Rubber Foot |
| 13 | 21749 | Rubber Foot | Use with 20409 Leveling Leg |
| | 34318 | Rubber Foot | Use with 34319 Leveling Leg |
| 14 | 21899 | Nut | |
| 15 | 28102 | Panel Locator | |
| 16 | 31653P | Base Assembly | Includes snubber pads and leveling legs |

Wire Terminals



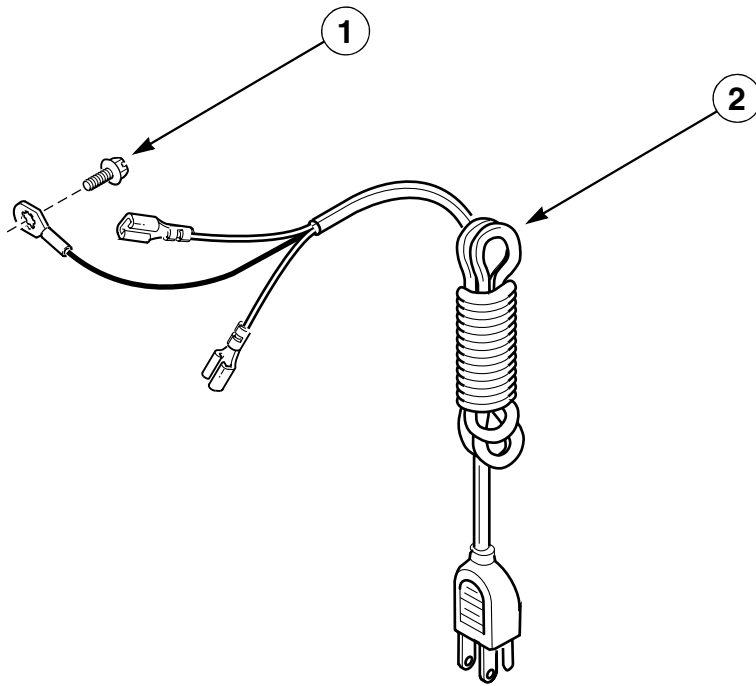
W430P

Wire Terminals

| REF | PART NO. | DESCRIPTION | COMMENTS |
|-----|----------|------------------------------|---|
| 1 | 32746 | 24 Position Housing | Right |
| | 34123 | 24 Position Housing | Left |
| 2 | 00188 | Female Terminal | Used for 1 or 2 wire application |
| 3 | 504034 | Wire Clip | |
| 4 | 00359 | Ultra Pod Terminal | 1/4 inch terminal |
| 5 | 00116 | Male Pin Terminal | |
| 6 | 23041 | 6 Circuit Plug | |
| 7 | 26708 | 6 Circuit Receptacle | |
| 8 | 00117 | Female Pin Terminal | |
| 9 | 26301 | 1 Circuit Receptacle | |
| 10 | 26302 | 1 Circuit Plug | |
| 11 | 00183 | Female Terminal | 2 wire |
| 12 | 00180 | Female Terminal | 1 wire |
| 13 | 00165 | Insulated Female Terminal | 3/16 inch |
| 14 | 00115 | Female Spade Terminal | |
| 15 | 90789 | Receptacle Housing | |
| 16 | N/A | 24 Position Housing | |
| 17 | N/A | Pre-Insulated Spade Terminal | 18 gauge |
| | 00215 | Pre-Insulated Spade Terminal | 12 gauge |
| 18 | 55881 | Harness Strap | |
| 19 | 51291 | Wire Clip | |
| 20 | 00223 | Female Spade Terminal | 1/4 inch; (1) 18 gauge wire |
| | 00121 | Female Spade Terminal | 1/4 inch; (2) 18 gauge wires or (1) 12 gauge wire |
| 21 | 00120 | Female Flag Terminal | |
| 22 | 29673 | Terminal Adapter | |
| 23 | 21091 | Connector | |
| 24 | 00113 | Ring Terminal | 1/4 inch ring |
| 25 | 00111 | Ring Terminal | Large shank; (2) 18 gauge wires |
| 26 | 00110 | Ring Terminal | Small shank; (1) 18 gauge wire |
| 27 | 70210 | Insulator | |
| 28 | 00161 | Grounding Clip | |

N/A = Part no longer available

Wire Harnesses and Lead-In Cord

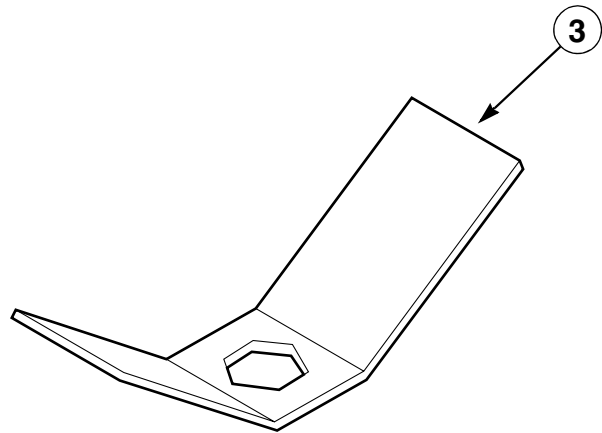
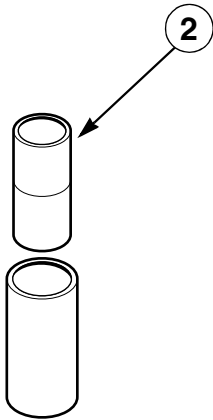
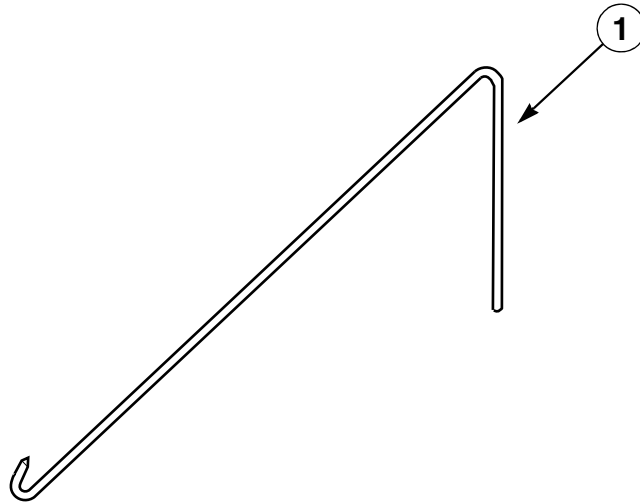


W431P

Wire Harnesses and Lead-In Cord

| REF | PART NO. | DESCRIPTION | COMMENTS |
|-----|----------|--------------|----------|
| 1 | 52909 | Screw | |
| 2 | 34458 | Lead-In Cord | |

Special Tools (Drawing 1 of 2)

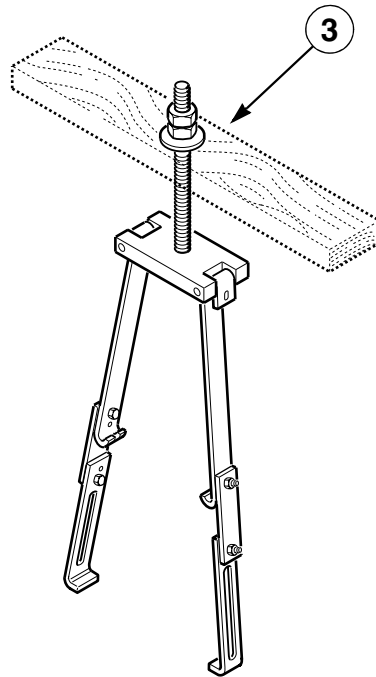
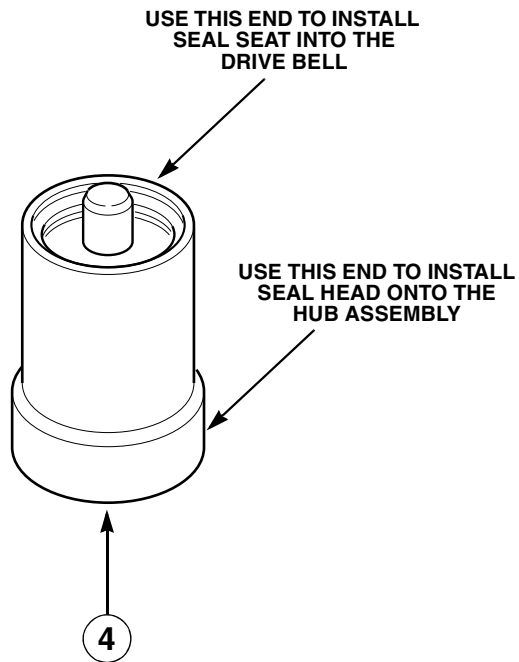
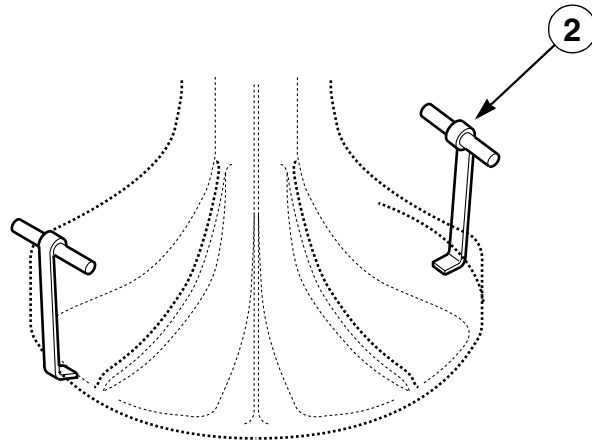
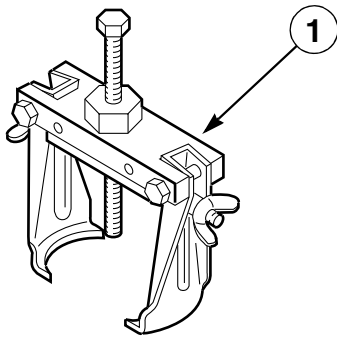


W417P

Special Tools (Drawing 1 of 2)

| REF | PART NO. | DESCRIPTION | COMMENTS |
|-----|----------|------------------|--|
| 1 | 321P4 | Spring Hook Tool | Use to remove centering springs from outer tub |
| 2 | 242P4 | Spring Installer | Use to install brake spring |
| 3 | 306P4 | Hex Wrench Tool | Use to remove hex locknut from washtub hub |

Special Tools (Drawing 2 of 2)



W418P

Special Tools (Drawing 2 of 2)

| REF | PART NO. | DESCRIPTION | COMMENTS |
|-----|----------|----------------------------|--|
| 1 | 294P4 | Agitator Drive Bell Puller | Use to remove and install drive bell to transmission shaft |
| 2 | 254P4P | Agitator Hook | Set of 2; Use to remove agitator from drive bell by hand |
| 3 | N/A | Agitator Puller Assembly | Use to remove agitator from drive bell |
| 4 | N/A | Seal Tool | Use to install the seal seat and seal head |

N/A = Part no longer available

Wire Harnesses and Wires

| PART NO. | DESCRIPTION | COMMENTS |
|----------|---------------------------|--|
| N/A | Mixing Valve Wire Harness | |
| 34179 | Wire Harness Assembly | Models AA3410, AA4410, AA4411, AWM230, AWM250, AWM331, AWM332, AWM351, AWM352 and NA3812 |
| N/A | Base Wire Harness | All other models |
| 28131 | Motor Harness Assembly | Models AA5420, AA5421, AA6421, AWM432, AWM452, AWM531, AWM551, AWM631, AWM651, NA4821 and NA6821 |
| N/A | Motor Wire Harness | All other models |
| 45001 | 18 Gauge Wire | Black |
| 45380 | 12 Gauge Wire | Orange |

N/A = Part no longer available

NOTE: Individual wires are not available separately. Order complete wire harness, or order wire by the foot. When applying terminals to wires, it is recommended that the terminals be soldered to the wires.

Parts Index

A

| | |
|---|----|
| Actuator Arm 33441 | 15 |
| Agitator 33174 | 21 |
| 33514 | 21 |
| Agitator Drive Bell Puller 294P4 | 47 |
| Agitator Hook 254P4P | 47 |
| Agitator Pinion 27003 | 31 |
| Anti-Rotation Sleeve 29993 | 27 |
| Anti-Seize Compound 27604P | 29 |

B

| | |
|--|----|
| Backflow Preventer Assembly 34280 | 17 |
| Balance Ring Assembly 34731P | 29 |
| Base Assembly 31653P | 39 |
| Bearing Housing Assembly 27182 | 29 |
| 35746 | 27 |
| Belt 28808 | 35 |
| 33843 | 35 |
| Bleach Dispenser 34776 | 13 |
| Brake Kit 38505P | 27 |
| Brake Pad Kit 548P3 | 27 |
| Bumper 21685 | 13 |
| Bumper Pad 56128 | 39 |
| Bushing 33446 | 13 |

C

| | |
|--------------------------------------|-------|
| Capacitor Kit 258P3 | 33 |
| Clothes Guard 35035 | 23 |
| Connector 21091 | 41 |
| Control Hood 31224 | 5 |
| 33122 | 5 |
| Control Hood Assembly 31735 | 9, 11 |

D

| | |
|--|----|
| Disconnect Power Warning Label 505281 | 13 |
| Drain Extension Kit 451P3 | 37 |
| Drain Hose 39953 | 37 |
| Drain Hose Sleeve 33615 | 37 |
| Drain Tub-to-Pump Hose 27160 | 37 |
| Drive Bell and Seal Kit 39508P | 21 |
| Drive Pinion 36562 | 31 |

E

| | |
|---|-------------|
| Electronic Control Assembly 33927P | 5 |
| End Cap 31248 | 5, 7, 9, 11 |
| 31249 | 5, 7, 9, 11 |

F

| | |
|---|----|
| Fabric Softener Dispenser Assembly 33510 | 21 |
| 36542 | 21 |
| Female Flag Terminal 00120 | 41 |
| Female Pin Terminal 00117 | 41 |
| Female Spade Terminal 00115 | 41 |
| 00121 | 41 |
| 00223 | 41 |
| Female Terminal 00180 | 41 |
| 00183 | 41 |
| 00188 | 41 |
| Fill Hose 20617 | 17 |
| 20618 | 17 |
| 37380 | 17 |
| 37381 | 17 |
| Fill Hose Kit 28330P | 17 |
| 38349P | 17 |
| Filter Screen F270300 | 17 |
| Flinger 27187 | 29 |
| Front Panel 32708LP | 39 |
| 32708WP | 39 |

N/A items do not appear in index.

G

| | |
|---------------------------------------|--------|
| Gear and Stud Assembly 26577 | 31 |
| Grommet 29175 | 25 |
| Grounding Clip 00161 | 33, 41 |

H

| | |
|-------------------------------------|--------|
| Harness Strap 55881 | 41 |
| Helix 27018 | 27 |
| Hex Wrench Tool 306P4 | 45 |
| Hinge Gasket 34338 | 13 |
| Hold-Down Lug Hinge 27103 | 39 |
| Hood Back Panel 37782 | 13 |
| Hose Clamp 20211 | 17, 37 |
| 20391 | 37 |
| 29210 | 17 |
| 35370 | 17 |
| 36801 | 17 |
| Housing, 24 Position 32746 | 41 |
| 34123 | 41 |
| Hub and Seal Kit 495P3 | 23 |

I

| | |
|--|----|
| Idler Lever 31054 | 35 |
| Idler Pulley 28800P | 35 |
| Idler Shaft 28802P | 35 |
| Idler Spring 37366 | 35 |
| Input Shaft 27081P | 31 |
| Insulated Female Terminal 00165 | 41 |
| Insulator 70210 | 41 |

K

| | |
|------------------------------|-------------|
| Knob Assembly 31286 | 5, 7, 9, 11 |
| 33688 | 5, 7, 9, 11 |

L

| | |
|-----------------------------|----|
| Lead-In Cord 34458 | 43 |
| Leg Plate 27926 | 25 |
| Leg Spring 27239 | 25 |
| Leveling Leg 34319 | 39 |
| Lid 33541LP | 13 |
| 33541WP | 13 |
| 34199WP | 13 |
| Lid Hinge 36437 | 13 |
| 36438 | 13 |
| Lint Filter 39371 | 23 |

M

| | |
|--|----|
| Male Pin Terminal 00116 | 41 |
| Mixing Valve 33930P | 19 |
| 35856P | 19 |
| Mixing Valve Hose 27183 | 17 |
| Mixing Valve Mounting Bracket 39407 | 17 |
| Mixing Valve Solenoid 33930A | 19 |
| Motor Harness Assembly 28131 | 48 |
| Motor Kit 27179P | 33 |
| 27658P | 33 |
| 30010P | 33 |
| Motor Mount Bracket 28791 | 33 |
| Motor Pulley 27104 | 33 |
| Motor Shield 27136 | 33 |

N

| | |
|--------------------|----------|
| Nut 21899 | 39 |
| 23604 | 33 |
| 27222 | 29 |
| 28803 | 35 |
| 29220 | 23 |
| 52566 | 33 |
| 57584 | 7, 9, 11 |

N/A items do not appear in index.

O

| | | |
|--------------------|--------|----|
| O-Ring | 36472 | 21 |
| Outer Tub Assembly | 33178P | 25 |
| Outer Tub Cover | 33184P | 25 |
| Output Shaft | 36570P | 31 |

P

| | | |
|------------------------------|--------|----|
| Panel Locator | 28102 | 39 |
| | 56079 | 39 |
| Pivot Dome | 27124 | 27 |
| Plug, 1 Circuit | 26302 | 41 |
| Plug, 6 Circuit | 23041 | 41 |
| Pre-Insulated Spade Terminal | 00215 | 41 |
| Pressure Bulb | 30907 | 25 |
| Pressure Switch | 33960 | 7 |
| Pulley and Washers Kit | 34232P | 27 |
| Pump Assembly | 31969 | 37 |
| Pump Belt | 27155 | 35 |
| | 28043 | 35 |
| Pump Mounting Bracket | 27105 | 37 |

R

| | | |
|-----------------------|--------|----|
| Rack | 201664 | 31 |
| Receptacle Housing | 90789 | 41 |
| Receptacle, 1 Circuit | 26301 | 41 |
| Receptacle, 6 Circuit | 26708 | 41 |
| Reduction Gear | 29161 | 31 |
| Retaining Ring | 23748 | 35 |
| | 27197 | 31 |
| Ring Terminal | 00110 | 41 |
| | 00111 | 41 |
| | 00113 | 41 |
| Roll Pin | 10416 | 33 |
| | 28087 | 33 |

| | | |
|------------------------|--------|----------|
| Rotary Pressure Switch | 31266P | 5, 9, 11 |
| Rubber Foot | 21749 | 39 |
| | 34318 | 39 |

S

| | | |
|-----------------------|---------|--------------------------|
| Screw | 201773 | 31 |
| | 23962 | 7, 9, 11, 13, 15, 17, 39 |
| | 26547 | 27 |
| | 27196 | 39 |
| | 27202 | 23 |
| | 27220 | 27 |
| | 27229 | 35 |
| | 29273 | 31 |
| | 31260 | 5, 7, 9 |
| | 31752 | 5, 7, 9, 11 |
| | 32814 | 31 |
| | 33562 | 13 |
| | 34337 | 13 |
| | 35369 | 25, 27 |
| | 39432 | 21 |
| | 39733 | 39 |
| | 503661 | 33, 37 |
| | 51780 | 39 |
| | 52909 | 13, 43 |
| | M400057 | 29 |
| Service Cabinet Kit | 38612LP | 39 |
| | 38612WP | 39 |
| Silicone Grease | 26594P | 39 |
| Siphon Break Kit | 562P3 | 37 |
| Slide | 26493 | 31 |
| Slide Pressure Switch | 33959 | 7 |
| Snubber Pad Kit | 434P3 | 39 |
| Speed Clip | 28835 | 39 |
| Speed Selector Switch | 27500 | 7 |
| Spline Insert | 29728 | 23 |
| Spring | 33435 | 27 |
| | 33443 | 15 |
| Spring Clip | 28849 | 35 |
| Spring Hook Tool | 321P4 | 45 |
| Spring Installer | 242P4 | 45 |
| Standpipe Strap | 33489 | 37 |
| Strain Relief | 32219 | 37 |
| | 38384 | 13 |
| Strainer | F270200 | 19 |

N/A items do not appear in index.

| | |
|-----------------------------------|----|
| Support Barrel 56534 | 13 |
| Support Leg 27090 | 27 |
| Switch 33445 | 15 |
| Switch Holder Clip 33433 | 15 |
| Switch Holder Kit 36497P | 15 |

T

| | |
|---|-------------|
| Temperature Switch 21300 | 11 |
| Terminal Adapter 29673 | 41 |
| Timer | |
| 31238P | 11 |
| 31239P | 9, 11 |
| 31240P | 7 |
| 31241P | 11 |
| 31243P | 11 |
| 32039P | 9 |
| 32228P | 7 |
| Timer Knob | |
| 33897 | 7, 9, 11 |
| 33898W | 7, 9, 11 |
| Timer Knob Assembly 31281 | 7, 9, 11 |
| Timer Skirt Assembly | |
| 31279 | 7, 9, 11 |
| 33817 | 7, 9, 11 |
| Top Assembly | |
| 34902LP | 13 |
| 34902WP | 13 |
| Transmission Assembly 33227P | 29 |
| Transmission Case Assembly 33223P | 31 |
| Transmission Cover Assembly 38287P | 31 |
| Transmission Oil 27243P | 31 |
| Trim 33123R | 5, 7, 9, 11 |
| Tub Assembly | |
| 39248P | 23 |
| 39252P | 23 |
| 39387P | 23 |
| Tub Cover Gasket 32857 | 25 |
| Tubing 39125 | 25 |

U

| | |
|--------------------------------------|----|
| Ultra Pod Terminal 00359 | 41 |
| Unbalanced Load Lever 33442 | 15 |

| | |
|--|----|
| Upper and Lower Bearing 28944RP | 27 |
|--|----|

W

| | |
|--------------------------------------|--------|
| Washer | |
| 02431 | 29 |
| 03888 | 33 |
| 20212 | 31 |
| 20290 | 17 |
| 21456 | 31 |
| 26509 | 27, 31 |
| 28094 | 23 |
| 29260 | 31 |
| 29443 | 35 |
| 32651 | 27 |
| 52549 | 35 |
| 81392 | 35 |
| JC-43336 | 29 |
| Water Inlet Hose 33186 | 17 |
| Water Temperature Switch | |
| 28118 | 9 |
| 32189 | 9 |
| Wire Clip | |
| 504034 | 41 |
| 51291 | 41 |
| Wire Harness Assembly 34179 | 48 |
| Wire, 12 Gauge 45380 | 48 |
| Wire, 18 Gauge 45001 | 48 |

N/A items do not appear in index.