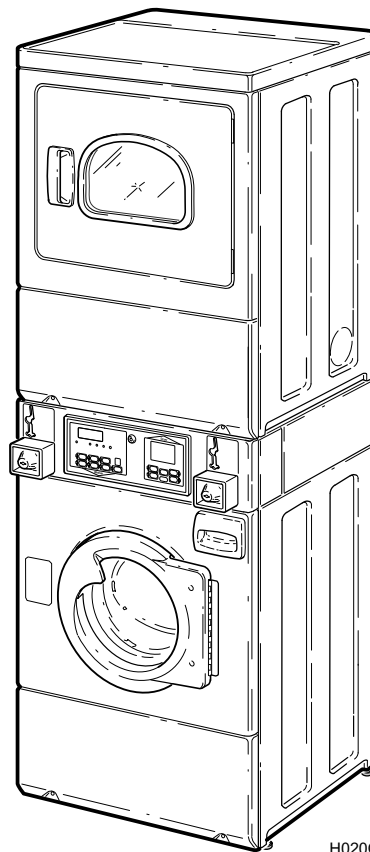


# Commercial Stacked Washer/ Dryer

Refer to Page 3 for Model Numbers



H020C\_800169



# Table of Contents

Title	Page
Parts Ordering Information.....	2
Serial Plate Location .....	2
Model Identification .....	3
Control Panel .....	4
Controls.....	6
Control Cabinet Controls.....	8
Cabinet Wrapper and Coin Drop.....	10
Electronic Coin Drop .....	12
Control Cabinet and Card Reader (Drawing 1 of 2).....	14
Control Cabinet and Card Reader (Drawing 2 of 2).....	16
Washer Front Panel, Older Style Door Assembly and Door Seal.....	18
Washer Front Panel, Newer Style Door Assembly and Door Seal .....	20
Dispenser Assembly .....	22
Mixing Valve, Valve-to-Dispenser Inlet Hose and Fill Hose .....	24
Outer Tub, Front and Clamp Ring.....	26
Inner Basket, Trunnion, Bearing Housing and Pulley .....	28
Washer Motor and Belt .....	30
Hoses and Pump .....	32
Washer Base, Side Panels and Rear Panel .....	34
Washer Power Cord, Wire Ties and Harness Clips .....	36
Dryer Loading Door.....	38
Dryer Access Panel, Front Panel and Seal.....	40
Dryer Motor, Exhaust Fan and Belt.....	42
Front Bulkhead, Air Duct, Felt Seal and Cylinder .....	44
Rear Bulkhead, Felt Seal, Cylinder Roller and Terminal Block.....	46
Heater Duct and Element Assembly .....	48
Heater Duct Assembly .....	50
Gas Valve, Igniter and Gas Conversion Kits.....	52
Dryer Cabinet, Exhaust Duct and Base .....	54
Dryer Power Cord .....	56
Dryer Motor Connection Block, Terminal Extractor Tools .....	58
Shipping Materials .....	60
Labels .....	62
Special Tools .....	64
Wire Harnesses and Wires .....	66
Parts Index.....	69

© Copyright 2024, Alliance Laundry Systems LLC

All rights reserved. No part of the contents of this book may be reproduced or transmitted in any form or by any means without the expressed written consent of the publisher.

## Parts Ordering Information

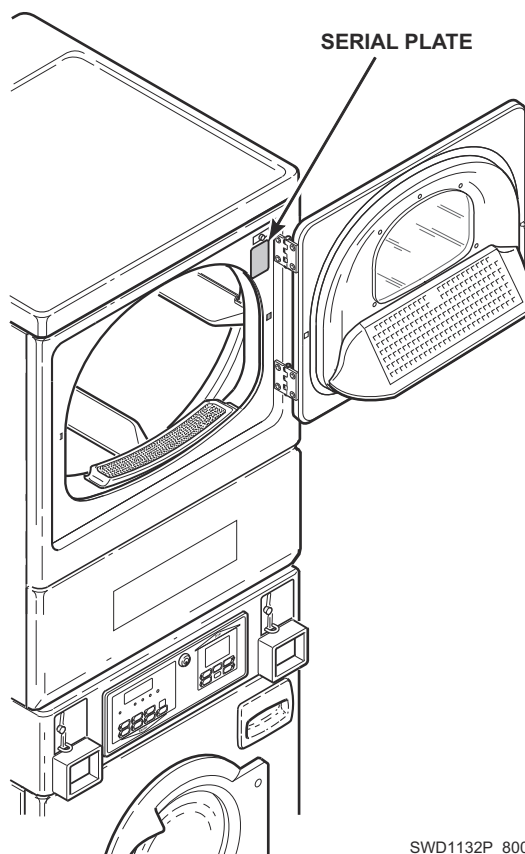
If literature or replacement parts are required, contact the source from whom the machine was purchased or contact Alliance Laundry Systems at (920) 748-3950 for the name and address of the nearest authorized parts distributor.

For technical assistance, call the number listed below:

(920) 748-3121 Ripon, Wisconsin

## Serial Plate Location

When calling or writing about your product, be sure to mention model and serial numbers. Model and serial numbers are located on serial plate(s) as shown.



SWD1132P\_800169

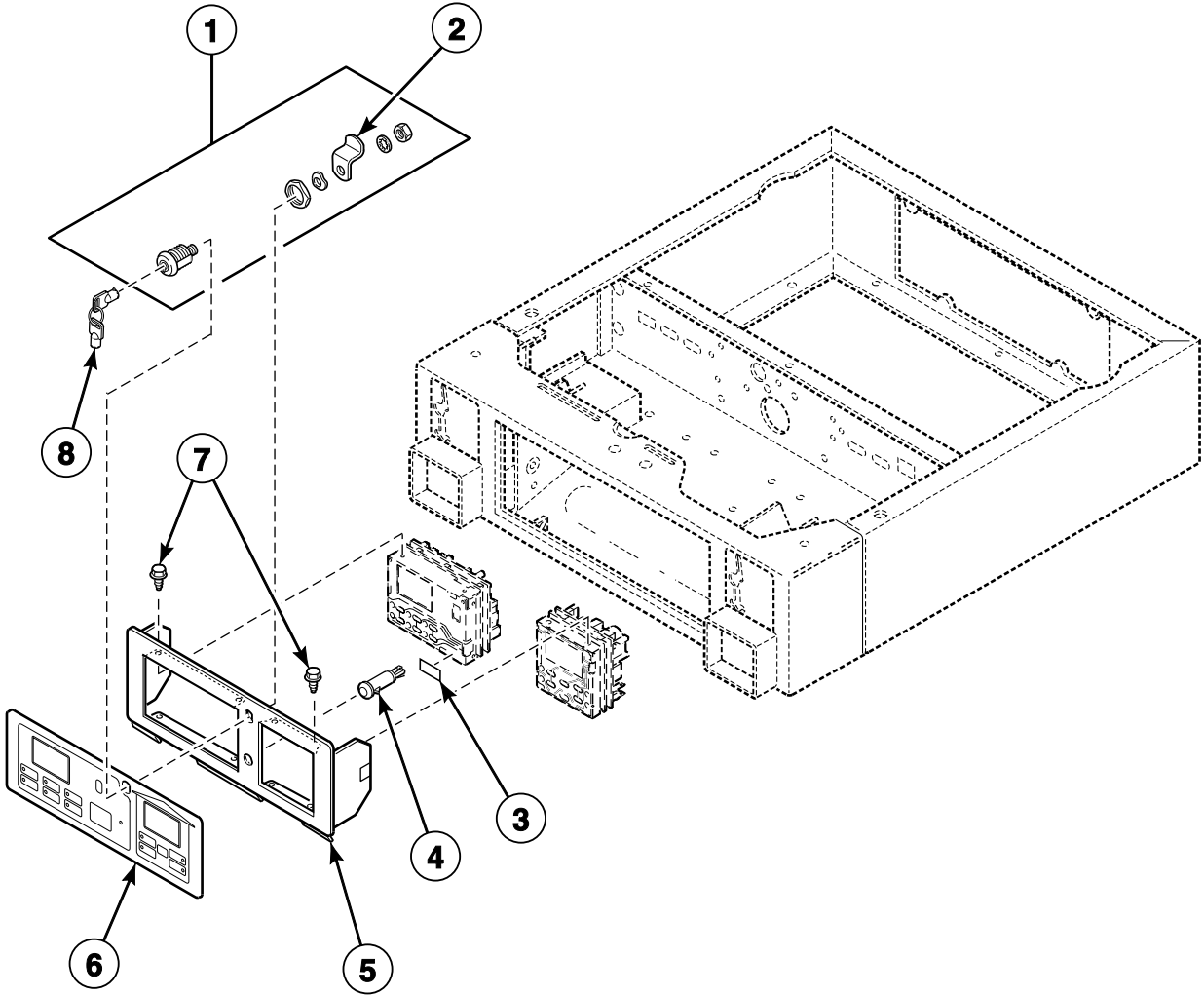
## Model Identification

Information in this manual is applicable to these stacked washer/dryer models:

HTE517*E2802	HTEZ17*H	HTGY19*H	STEB17*J	STG719*H
HTE517*H2802	HTEZ17*H2802	HTGY19*H0902	STEC17*J	STGA19*H
HTE717*E2802	HTG519*E0902	HTGZ19*H	STED17*H	STGA19*J
HTEB17*J2802	HTG519*H0902	HTGZ19*H0902	STEF17*J	STGB19*H
HTEB17*J99L1	HTG719*E0902	STE517*E	STEH17*J	STGB19*J
HTEF17*J2802	HTGB19*J0902	STE517*H	STET17*H	STGC19*J
HTET17*H	HTGB19*J99L8	STE717*E	STEY17*H	STGD19*H
HTET17*H2802	HTGF19*J0902	STE717*H	STEZ17*H	STGF19*J
HTEX17*H2902	HTGT19*H	STE717*H	STG519*E	STGT19*H
HTEY17*H	HTGT19*H0902	STEA17*H	STG519*H	STGY19*H
HTEY17*H2802	HTGX19*H0902	STEA17*J	STG519*H	STGZ19*H
		STEB17*H	STG719*E	

\* Add Letter To Designate Color. L - Almond Q - Bisque W - White

# Control Panel



SWD1238P\_800169

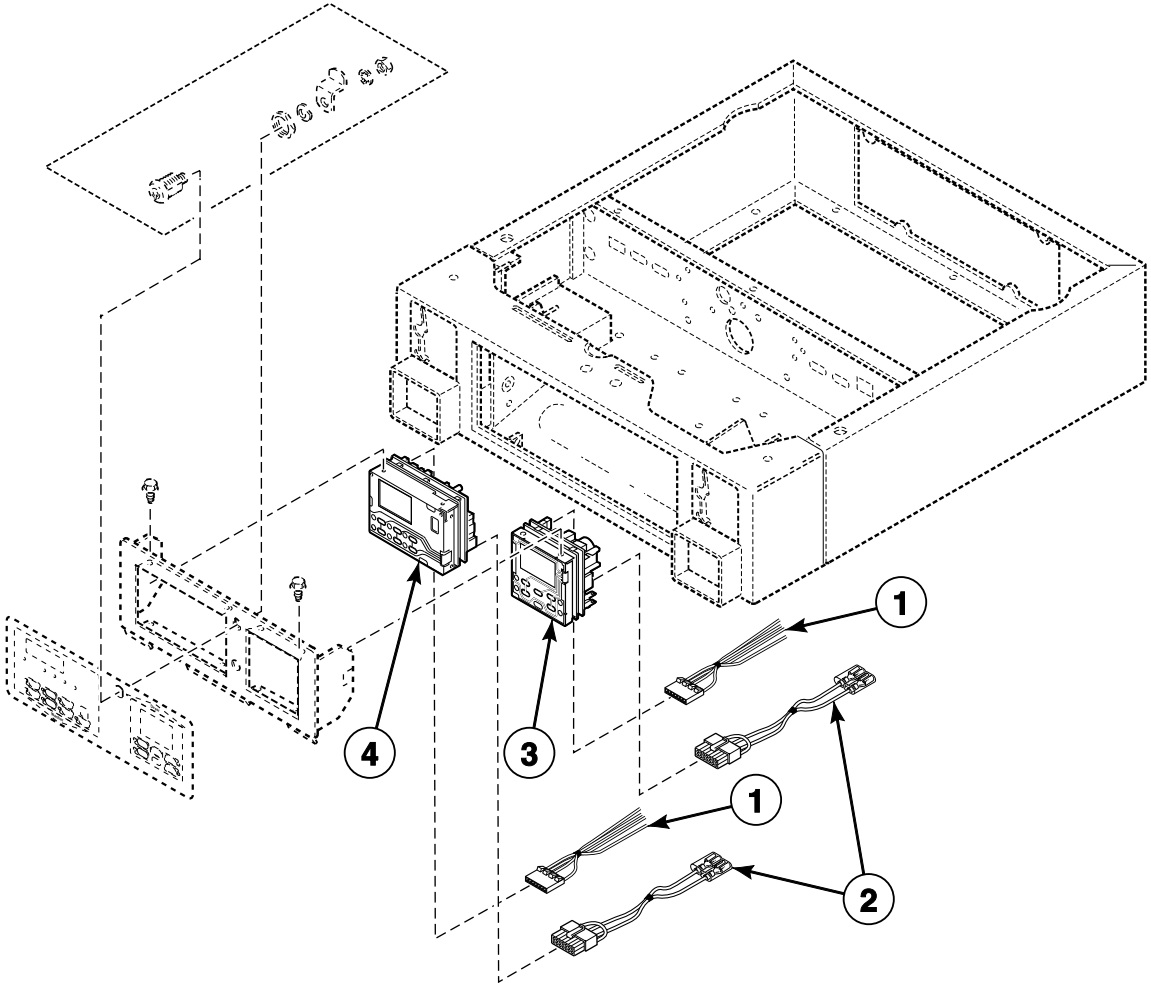
# Control Panel

REF	PART NO.	DESCRIPTION	COMMENTS
1	27260P	Lock Kit	
2	27261	Lock Cam	
3	800373	Keypad Protector	Models HTE517*E2802, HTE717*E2802, HTG519*E0902, HTG719*E0902, STE517*E, STE717*E, STEB17*H, STED17*H, STG519*E, STG719*E, STGB19*H and STGD19*H
4	32464	Light	Models HTE517*E2802, HTE717*E2802, HTG519*E0902, HTG719*E0902, STE517*E, STE717*E, STG519*E and STG719*E
5	N/A	Control Panel and Bracket Assembly	Models HTE517*E2802, HTE517*H2802, HTE717*E2802, HTG519*E0902, HTG519*H0902, HTG719*E0902, STE517*E, STE517*H, STE717*E, STE717*H, STG519*E, STG519*H, STG719*E and STG719*H
	800411W	Control Panel and Bracket Assembly	White; Models STEA17*H, STEB17*H, STED17*H, STGA19*H, STGB19*H and STGD19*H
	800034W	Control Panel and Bracket Assembly	All other models
6	N/A	Overlay	Models HTE517*E2802, HTE517*H2802, HTE717*E2802, HTG519*E0902, HTG519*H0902 and HTG719*E0902
	D505617	Overlay	Models STE517*E, STE517*H, STE717*E, STE717*H, STG519*E, STG519*H, STG719*E and STG719*H
	N/A	Overlay	Models STEA17*H, STEB17*H, STED17*H, STGA19*H, STGB19*H and STGD19*H
	800026	Overlay	Models STEA17*J, STEB17*J, STEH17*J, STGA19*J and STGB19*J
	800027	Overlay	Models STEC17*J, STEF17*J, STGC19*J and STGF19*J
	N/A	Overlay	Models HTEF17*J2802 and HTGF19*J0902
	800894	Overlay	Models HTEB17*J2802, HTEB17*J99L1, HTGB19*J0902 and HTGB19*J99L8
	801054	Overlay	Models HTET17*H, HTET17*H2802, HTEX17*H2902, HTEY17*H, HTEY17*H2802, HTEZ17*H, HTEZ17*H2802, HTGT19*H, HTGT19*H0902, HTGX19*H0902, HTGY19*H, HTGY19*H0902, HTGZ19*H and HTGZ19*H0902
	801051	Overlay	Models STET17*H, STEY17*H, STEZ17*H, STGT19*H, STGY19*H and STGZ19*H
7	D501524	Screw	
8	54612	Key	GR800

\* Add Letter To Designate Color. L - Almond Q - Bisque W - White

N/A = Part no longer available

# Controls



SWD1268P\_800169

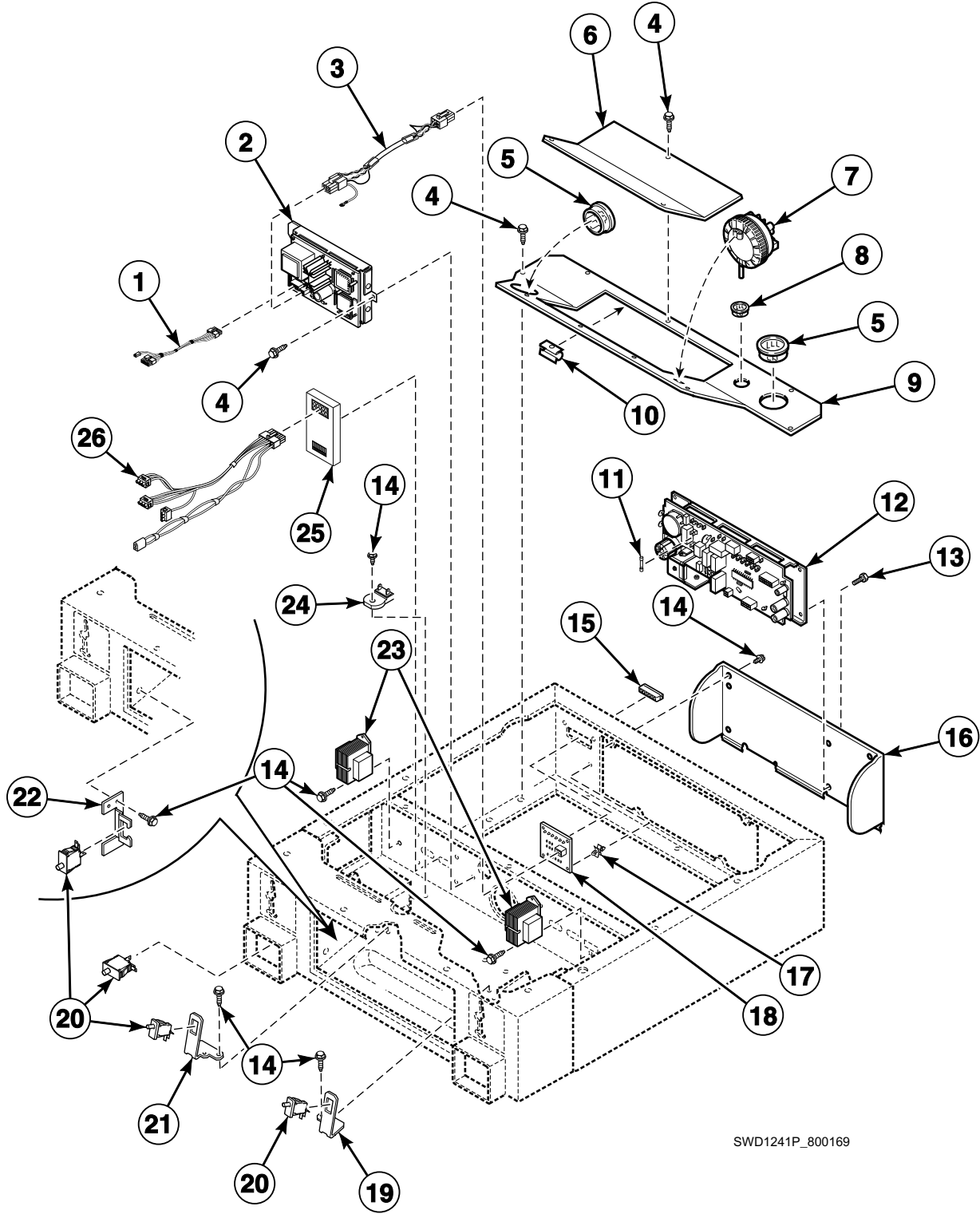


# Controls

REF	PART NO.	DESCRIPTION	COMMENTS
1	D511478	Central Pay Harness	
2	800374	Diagnostic Wire Harness Assembly	Models HTEF17*J2802, HTEY17*H, HTEY17*H2802, HTGF19*J0902, HTGY19*H, HTGY19*H0902, STEF17*J and STGF19*J
3	M414050P	Control Kit	Dryer; Models HTE517*E2802, HTE517*H2802, HTE717*E2802, HTG519*E0902, HTG519*H0902, HTG719*E0902, STE517*E, STE517*H, STE717*E, STE717*H, STEA17*H, STEB17*H, STED17*H, STG519*E, STG519*H, STG719*E, STG719*H, STGA19*H, STGB19*H and STGD19*H; Model and serial number of machine required - part no longer available for units built prior to 1/1/2004 per field bulletin FB15-164
	D511867P	Control Assembly	Dryer; Models HTET17*H, HTET17*H2802, HTEX17*H2902, HTEY17*H, HTEY17*H2802, HTEZ17*H, HTEZ17*H2802, HTGT19*H, HTGT19*H0902, HTGX19*H0902, HTGY19*H, HTGY19*H0902, HTGZ19*H, HTGZ19*H0902, STET17*H, STEY17*H, STEZ17*H, STGT19*H, STGY19*H and STGZ19*H
	D510036P	Membrane Switch	Use with 511867P Control Assembly; Models HTET17*H, HTET17*H2802, HTEX17*H2902, HTEY17*H, HTEY17*H2802, HTEZ17*H, HTEZ17*H2802, HTGT19*H, HTGT19*H0902, HTGX19*H0902, HTGY19*H, HTGY19*H0902, HTGZ19*H, HTGZ19*H0902, STET17*H, STEY17*H, STEZ17*H, STGT19*H, STGY19*H and STGZ19*H
	D505905P	Control Kit	Dryer; All other models
4	800303P	Control Assembly	Washer; Models HTE517*E2802, HTE517*H2802, HTE717*E2802, HTG519*E0902, HTG519*H0902, HTG719*E0902, STE517*E, STE517*H, STE717*E, STE717*H, STG519*E, STG519*H, STG719*E and STG719*H
	803146P	Control Assembly	Washer; Models HTET17*H, HTET17*H2802, HTEX17*H2902, HTEY17*H, HTEY17*H2802, HTEZ17*H, HTEZ17*H2802, HTGT19*H, HTGT19*H0902, HTGX19*H0902, HTGY19*H, HTGY19*H0902, HTGZ19*H, HTGZ19*H0902, STET17*H, STEY17*H, STEZ17*H, STGT19*H, STGY19*H and STGZ19*H
	800772P	Control Kit	Washer; All other models

\* Add Letter To Designate Color. L - Almond Q - Bisque W - White

# Control Cabinet Controls



SWD1241P\_800169

## Control Cabinet Controls

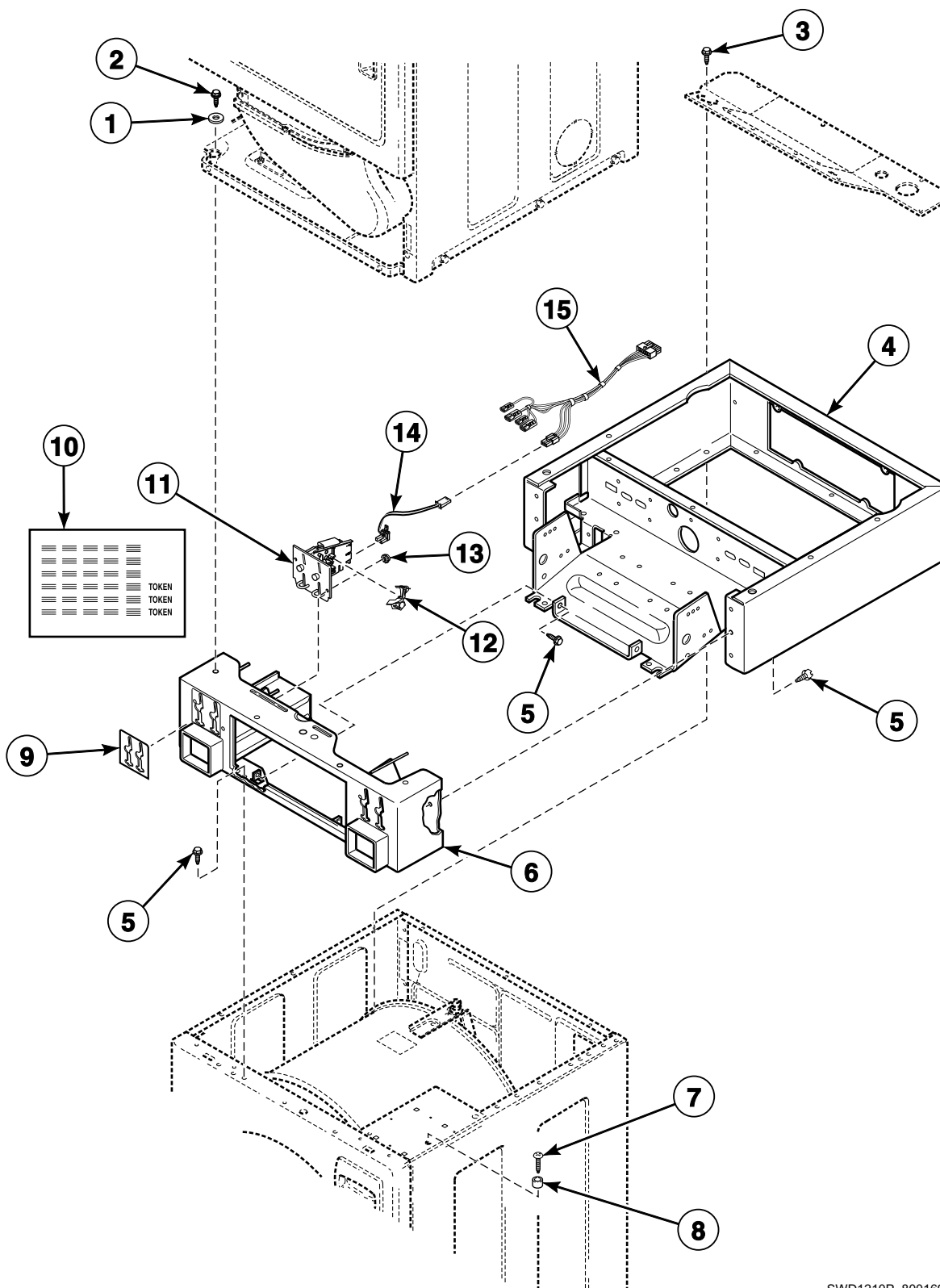
REF	PART NO.	DESCRIPTION	COMMENTS
	210157P	Network Board	For tower PC; Model STEH17*J
1	800217	Network Wire Harness Assembly	Model STEH17*J
2	210016P	Network Board Assembly	Model STEH17*J
3	800216	Network Cable Wire Harness Assembly	Model STEH17*J
4	D503661	Screw	
5	D503235	Snap Bushing	
6	N/A	Control Shield Door	
7	800468P	Pressure Switch	
8	M402542	Snap Bushing	
9	801372	Control Shield	
10	36985	Hose Clip	
11	F350138	Fuse	
12	687539P	Motor Control Assembly	
13	D501524	Screw	
14	D503688	Screw	
15	210099	Communication Connector	Model STEH17*J
16	800177	Security Cabinet Rear Service Panel	
17	210098	PC Board Standoff	Model STEH17*J
18	210095P	Communication Board	Model STEH17*J
19	800380	Audit Switch Bracket	Right; All models except HTE517*E2802, HTE717*E2802, HTG519*E0902, HTG719*E0902, STE517*E, STE717*E, STG519*E and STG719*E
20	D512973	Switch	
21	800379	Audit Switch Bracket	Left; All models except HTE517*E2802, HTE717*E2802, HTG519*E0902, HTG719*E0902, STE517*E, STE717*E, STG519*E and STG719*E
22	38087	Door Switch Bracket	Models HTE517*E2802, HTE717*E2802, HTG519*E0902, HTG719*E0902, STE517*E, STE717*E, STG519*E and STG719*E
23	210018P	Transformer	All models except HTE517*E2802, HTE717*E2802, HTEX17*H2902, HTEY17*H, HTEY17*H2802, HTG519*E0902, HTG719*E0902, HTGX19*H0902, HTGY19*H, HTGY19*H0902, STE517*E, STE717*E, STEA17*H, STEA17*J, STEC17*J, STEY17*H, STG519*E, STG719*E, STGA19*H, STGA19*J, STGC19*J and STGY19*H
	803527P	Transformer	Models HTEX17*H2902, HTEY17*H, HTEY17*H2802, HTGX19*H0902, HTGY19*H, HTGY19*H0902, STEA17*H, STEA17*J, STEC17*J, STEY17*H, STGA19*H, STGA19*J, STGC19*J and STGY19*H
24	210100	Resistor	All models except HTE517*E2802, HTE517*H2802, HTE717*E2802, HTG519*E0902, HTG519*H0902, HTG719*E0902, STE517*E, STE517*H, STE717*E, STE717*H, STG519*E, STG519*H, STG719*E and STG719*H
25	38571	Multiplier Assembly	Models HTE517*E2802, HTE517*H2802, HTG519*E0902 and HTG519*H0902
26	N/A	Multiplier Harness	Models HTE517*E2802, HTE517*H2802, HTG519*E0902 and HTG519*H0902

\* Add Letter To Designate Color. L - Almond Q - Bisque W - White

N/A = Part no longer available

# Cabinet Wrapper and Coin Drop

Models HTEB17\*J2802, HTEB17\*J99L1, HTET17\*H, HTET17\*H2802, HTEX17\*H2902, HTEZ17\*H, HTEZ17\*H2802, HTE517\*E2802, HTE517\*H2802, HTGB19\*J0902, HTGB19\*J99L8, HTGT19\*H, HTGT19\*H0902, HTGX19\*H0902, HTGZ19\*H, HTGZ19\*H0902, HTG519\*E0902, HTG519\*H0902, STEA17\*H, STEA17\*J, STEB17\*H, STEB17\*J, STEH17\*J, STET17\*H, STEZ17\*H, STE517\*E, STE517\*H, STGA19\*H, STGA19\*J, STGB19\*H, STGB19\*J, STGT19\*H, STGZ19\*H, STG519\*E and STG519\*H



SWD1210P\_800169

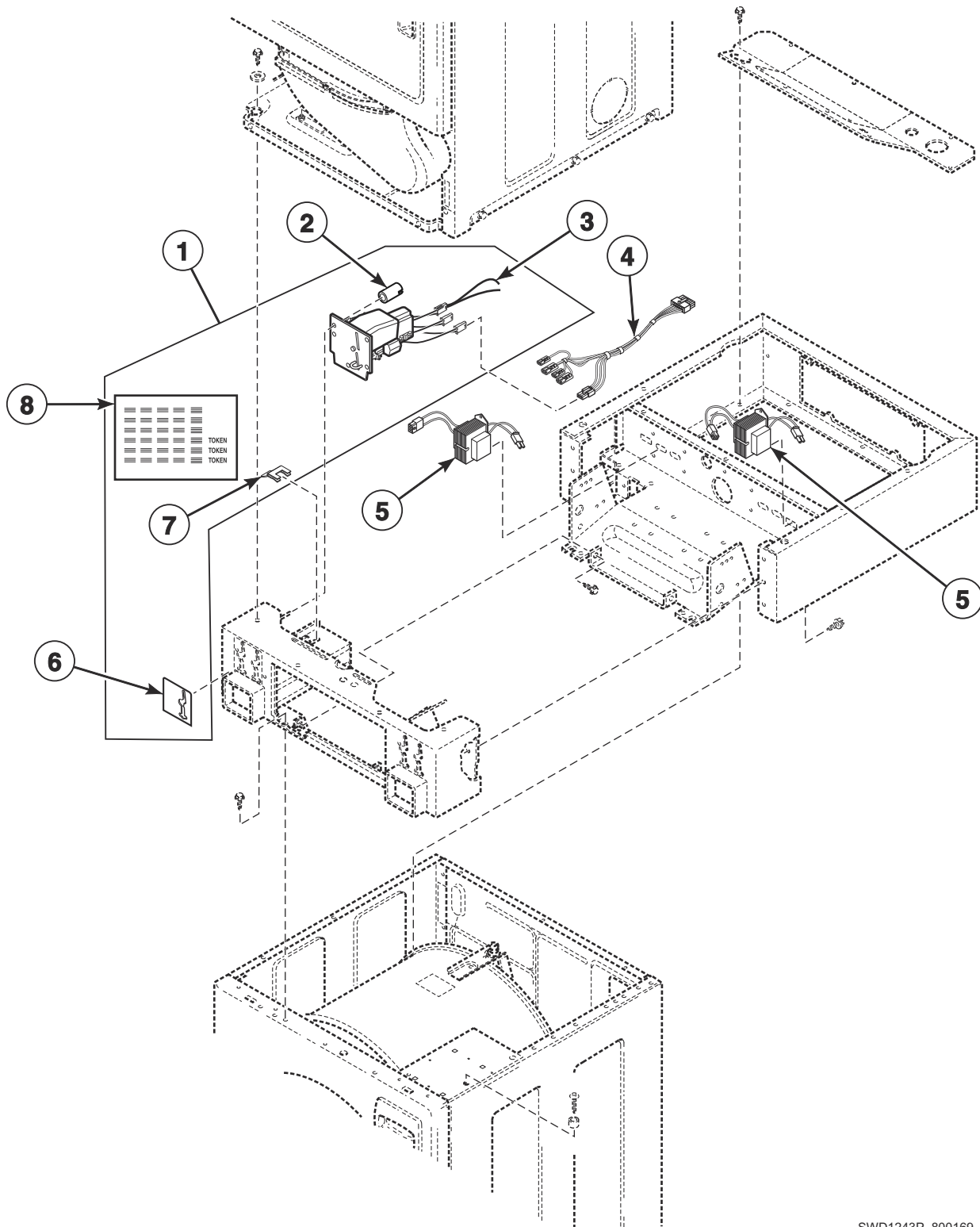
## Cabinet Wrapper and Coin Drop

REF	PART NO.	DESCRIPTION	COMMENTS
1	26509	Washer	
2	36048	Screw	
3	D503661	Screw	
4	N/A	Security Cabinet Wrapper Assembly	Models HTE517*E2802, HTE517*H2802, HTG519*E0902, HTG519*H0902, STE517*E, STE517*H, STG519*E and STG519*H
	801235W	Security Cabinet Wrapper Assembly	White; All other models
	800231Q	Security Cabinet Wrapper Assembly	Bisque; All other models
5	D503688	Screw	
6	D518305WP	Security Cabinet Front Assembly	
7	39733	Screw	
8	56079	Panel Locator	
9	39073	Dual Overlay	1 for each side; Dual drop; Models HTE517*E2802, HTE517*H2802, HTEB17*J2802, HTET17*H2802, HTEX17*H2902, HTEZ17*H2802, HTG519*E0902, HTG519*H0902, HTGB19*J0902, HTGB19*J99L8, HTGT19*H0902, HTGX19*H0902 and HTGZ19*H0902
	38717	Single Overlay	1 for each side; Single drop; All other models
10	38725	Coin Identification Paper	Model HTGB19*J99L8
11	70441602	Coin Drop Assembly	1 for each side; ; Models HTE517*E2802, HTE517*H2802, HTEB17*J2802, HTET17*H2802, HTEX17*H2902, HTEZ17*H2802, HTG519*E0902, HTG519*H0902, HTGB19*J0902, HTGT19*H0902, HTGX19*H0902 and HTGZ19*H0902
	38463	Coin Drop Assembly	1 for each side; Token 118-5; Model HTGB19*J99L8
	70441601P	Coin Drop	1 for each side; All other models
12	201595P	Wire Guard	Anti-stringing security device; Add to coin drops manufactured starting January 2005
13	29786	Nut	
14	200674P	Opto Coupler	
15	802905	Harness Assembly	Models HTEB17*J2802, HTET17*H2802, HTEX17*H2902, HTEZ17*H2802, HTGB19*J0902, HTGB19*J99L8, HTGT19*H0902, HTGX19*H0902, HTGZ19*H0902, STEA17*H, STEA17*J, STGA19*H and STGA19*J
	802904P	Harness Assembly	Models HTEB17*J99L1, HTET17*H, HTEZ17*H, STEB17*H, STEB17*J, STEH17*J, STET17*H, STEZ17*H, STGB19*H, STGB19*J, STGT19*H and STGZ19*H

\* Add Letter To Designate Color. L - Almond Q - Bisque W - White

# Electronic Coin Drop

Models HTEB17\*J2802, HTEB17\*J99L1, HTET17\*H, HTET17\*H2802, HTEX17\*H2902, HTEZ17\*H, HTEZ17\*H2802, HTGB19\*J0902, HTGB19\*J99L8, HTGT19\*H, HTGT19\*H0902, HTGX19\*H0902, HTGZ19\*H, HTGZ19\*H0902, STEA17\*H, STEA17\*J, STEB17\*H, STEB17\*J, STET17\*H, STEZ17\*H, STGA19\*H, STGA19\*J, STGB19\*H, STGB19\*J, STGT19\*H and STGZ19\*H



SWD1243P\_800169

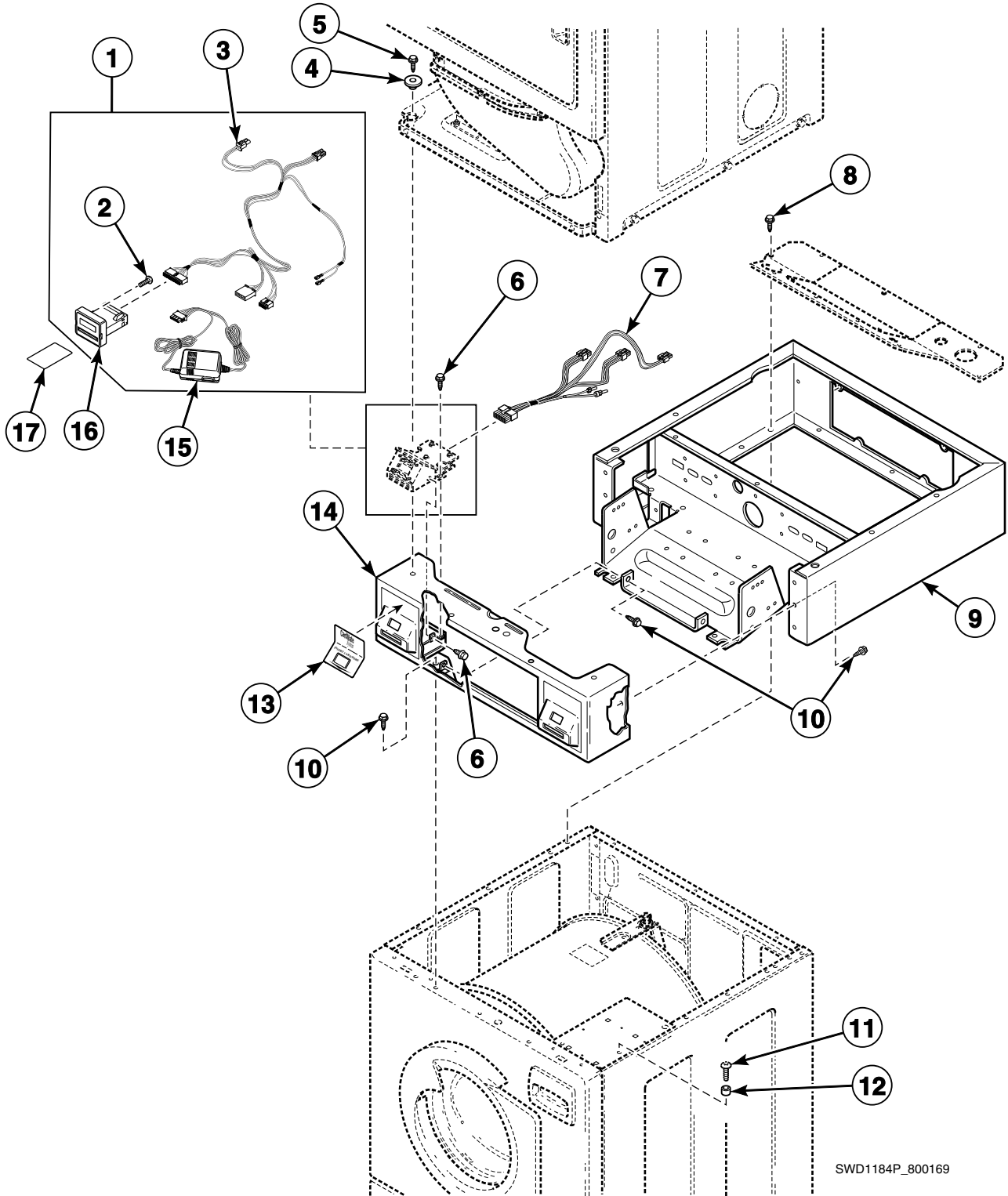
## Electronic Coin Drop

REF	PART NO.	DESCRIPTION	COMMENTS
1	CK115	Electronic Coin Drop Kit	Includes items 2-3 and 6-8
2	201216	Nut	
3	201104	Coin Drop Wire Harness	
4	802905	Harness Assembly	Electronic coin drop requires this harness. If unit is not factory-equipped with this harness, it must be ordered separately.
5	201375P	Transformer	Electronic coin drop requires this transformer. If unit is not factory-equipped with this transformer, it must be ordered separately.
6	201091	Overlay	1 for each side
7	201572	Clip	
8	38725	Coin Identification Paper	

\* Add Letter To Designate Color. **Q** - Bisque **W** - White

# Control Cabinet and Card Reader (Drawing 1 of 2)

Models HTE717\*E2802, HTG719\*E0902, STED17\*H, STE717\*E, STE717\*H, STGD19\*H, STG719\*E and STG719\*H



SWD1184P\_800169



## Control Cabinet and Card Reader (Drawing 1 of 2)

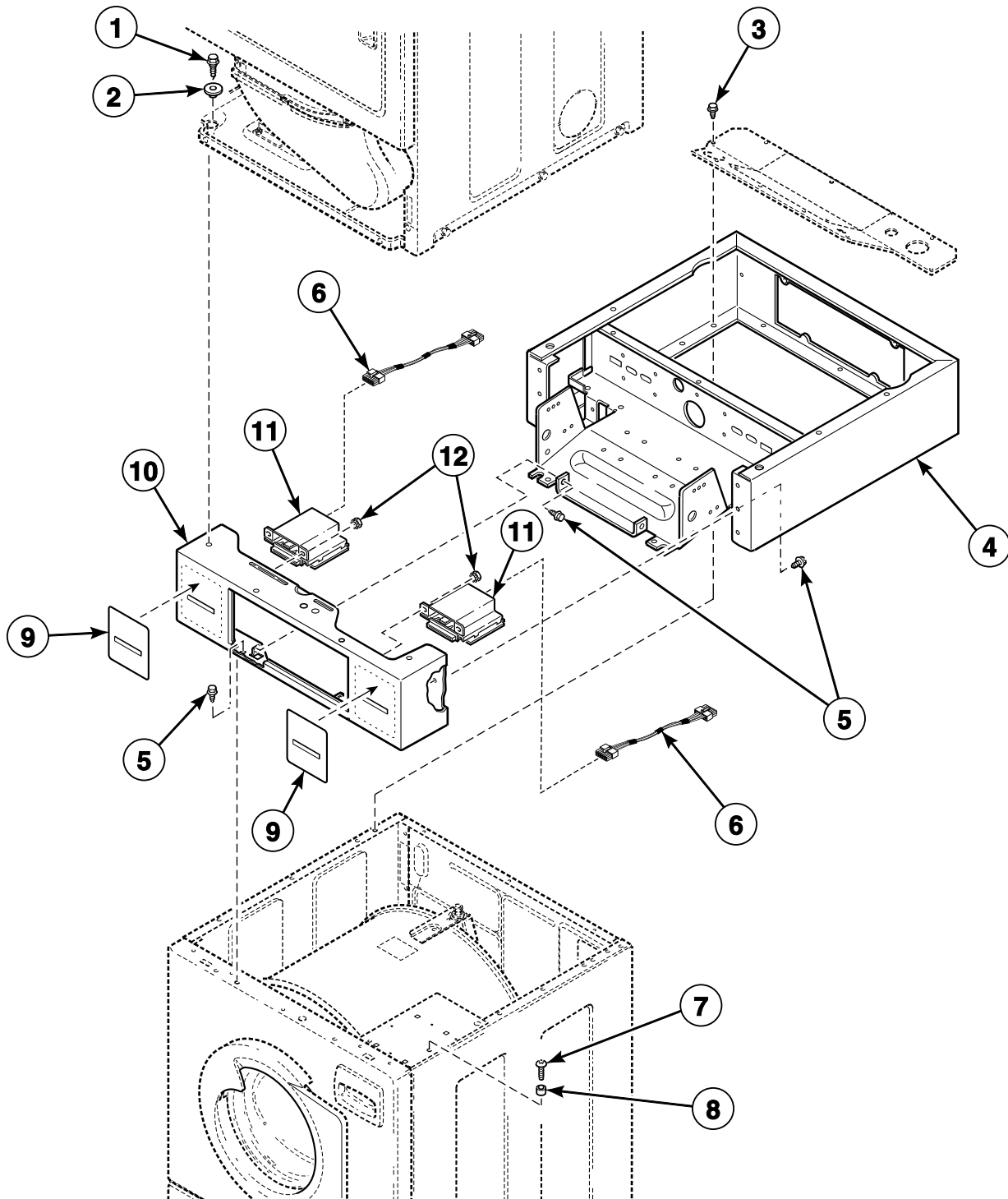
REF	PART NO.	DESCRIPTION	COMMENTS
1	875P3	Card Reader Kit	1 for each side; Models HTE717*E2802, HTG719*E0902, STE717*E, STE717*H, STG719*E and STG719*H; Includes items 2, 3 and 14-16
2	D512505	Bolt	
3	D512501	Harness	Models HTE717*E2802, HTG719*E0902, STE717*E, STE717*H, STG719*E and STG719*H
	D512503	Harness	Models STED17*H and STGD19*H
4	26509	Washer	
5	36048	Screw	
6	D501524	Screw	
7	686581	Card Reader Wire Harness Assembly	Use with 39685 Card Reader; Models HTE717*E2802, HTG719*E0902, STE717*E, STE717*H, STG719*E and STG719*H
	N/A	Card Reader Harness Assembly	Use with 39685 Card Reader; Washer; Models STED17*H and STGD19*H
	38191	Card Reader Wire Harness Assembly	Use with 39685 Card Reader; Dryer; Models STED17*H and STGD19*H
8	D03661	Screw	
9	N/A	Security Cabinet Wrapper Assembly	
10	D503688	Screw	
11	39733	Screw	
12	56079	Panel Locator	
13	N/A	Card Reader Overlay	1 for each side; Use with 39685 Card Reader; Models HTE717*E2802 and HTG719*E0902
	38192	Card Reader Instruction Overlay	1 for each side; Use with 39685 Card Reader; All other models
14	D503428W	Security Cabinet Front Assembly	White; Use with 39685 Card Reader
	D505227W	Security Cabinet Front Assembly	White; Use with card reader kits
15	D512496	Power Supply	Models HTE717*E2802, HTG719*E0902, STE717*E, STE717*H, STG719*E and STG719*H
	D512498	Power Supply	Models STED17*H and STGD19*H
16	D512473	Card Reader	
17	D512499P	Programming Card	Models HTE717*E2802, HTG719*E0902, STE717*E, STE717*H, STG719*E and STG719*H

\* Add Letter To Designate Color. L - Almond Q - Bisque W - White

N/A = Part no longer available

# Control Cabinet and Card Reader (Drawing 2 of 2)

Models HTEF17\*J2802, HTEY17\*H, HTEY17\*H2802, HTGF19\*J0902, HTGY19\*H, HTGY19\*H0902, STEC17\*J, STEF17\*J, STEY17\*H, STGC19\*J, STGF19\*J and STGY19\*H



SWD1169P\_800169

## Control Cabinet and Card Reader (Drawing 2 of 2)

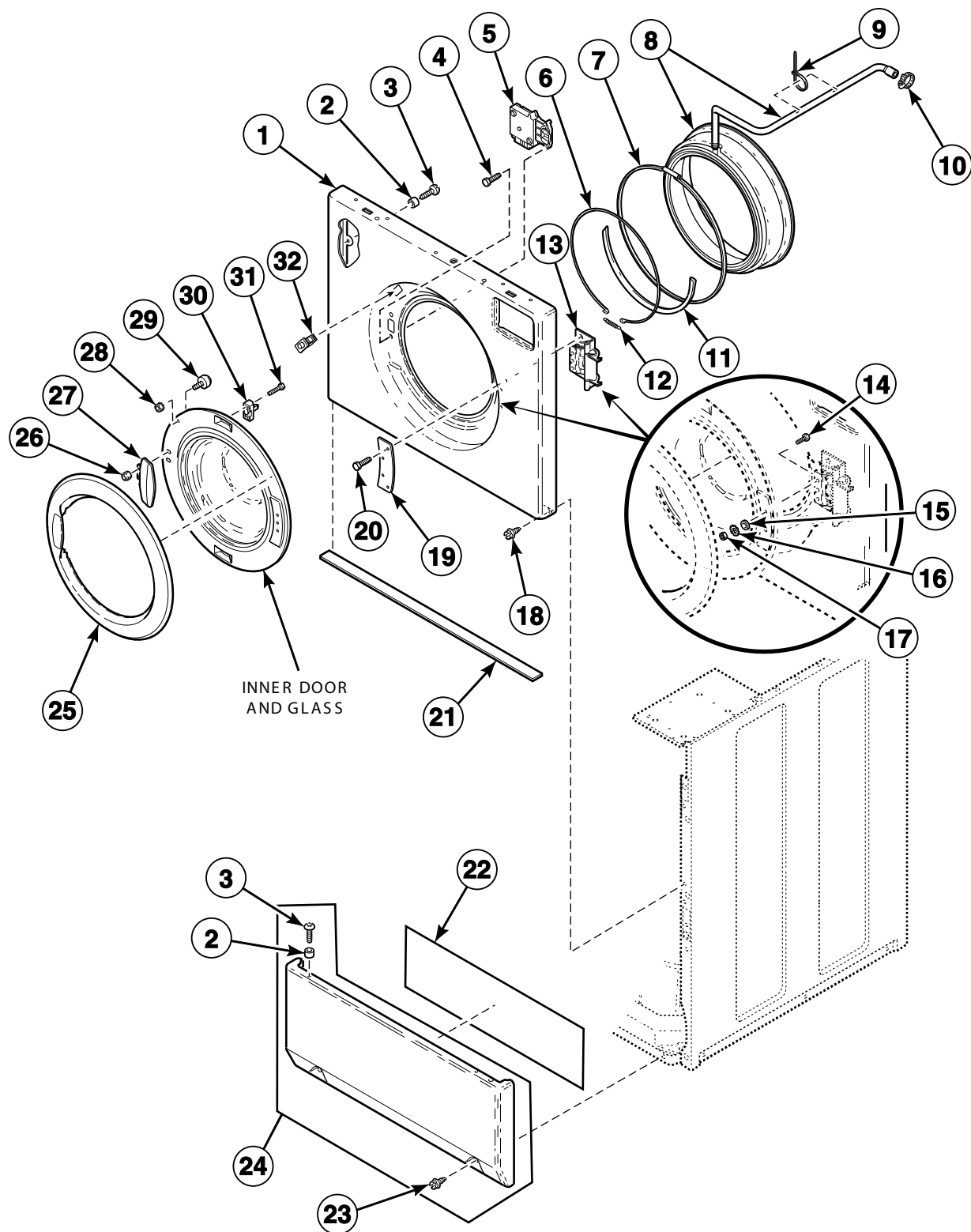
REF	PART NO.	DESCRIPTION	COMMENTS
1	36048	Screw	
2	26509	Washer	
3	D503661	Screw	
4	801235W	Security Cabinet Wrapper Assembly	White
	800231Q	Security Cabinet Wrapper Assembly	Bisque
5	D503688	Screw	
6	800125P	Card Reader Wire Harness Assembly	Models HTEF17*J2802, HTGF19*J0902, STEF17*J and STGF19*J
7	39733	Screw	
8	56079	Panel Locator	
9	800230	Card Reader Overlay	Models STEF17*J and STGF19*J
	N/A	Card Reader Overlay	Models HTEF17*J2802 and HTGF19*J0902
	D511544	Card Insert Overlay	Models STEY17*H and STGY19*H
	D511548	Card Insert Overlay	Models HTEY17*H, HTEY17*H2802, HTGY19*H and HTGY19*H0902
10	D505227W	Security Cabinet Front Assembly	White; Models STEC17*J and STGC19*J
	N/A	Security Cabinet Front Assembly	Almond; Models STEC17*J and STGC19*J
	D518303W	Security Cabinet Front Assembly	White; All other models
	D511208L	Security Cabinet Front Assembly	Almond; All other models
	D511208Q	Security Cabinet Front Assembly	Bisque; All other models
11	D510068P	Card Reader and Bracket Assembly	Models HTEF17*J2802, HTGF19*J0902, STEF17*J and STGF19*J
12	70054	Nut	

\* Add Letter To Designate Color. L - Almond Q - Bisque W - White

N/A = Part no longer available

# Washer Front Panel, Older Style Door Assembly and Door Seal

Models HTE517\*E2802, HTE717\*E2802, HTG519\*E0902, HTG719\*E0902, STE517\*E, STE717\*E, STG519\*E and STG719\*E



H098P\_800169

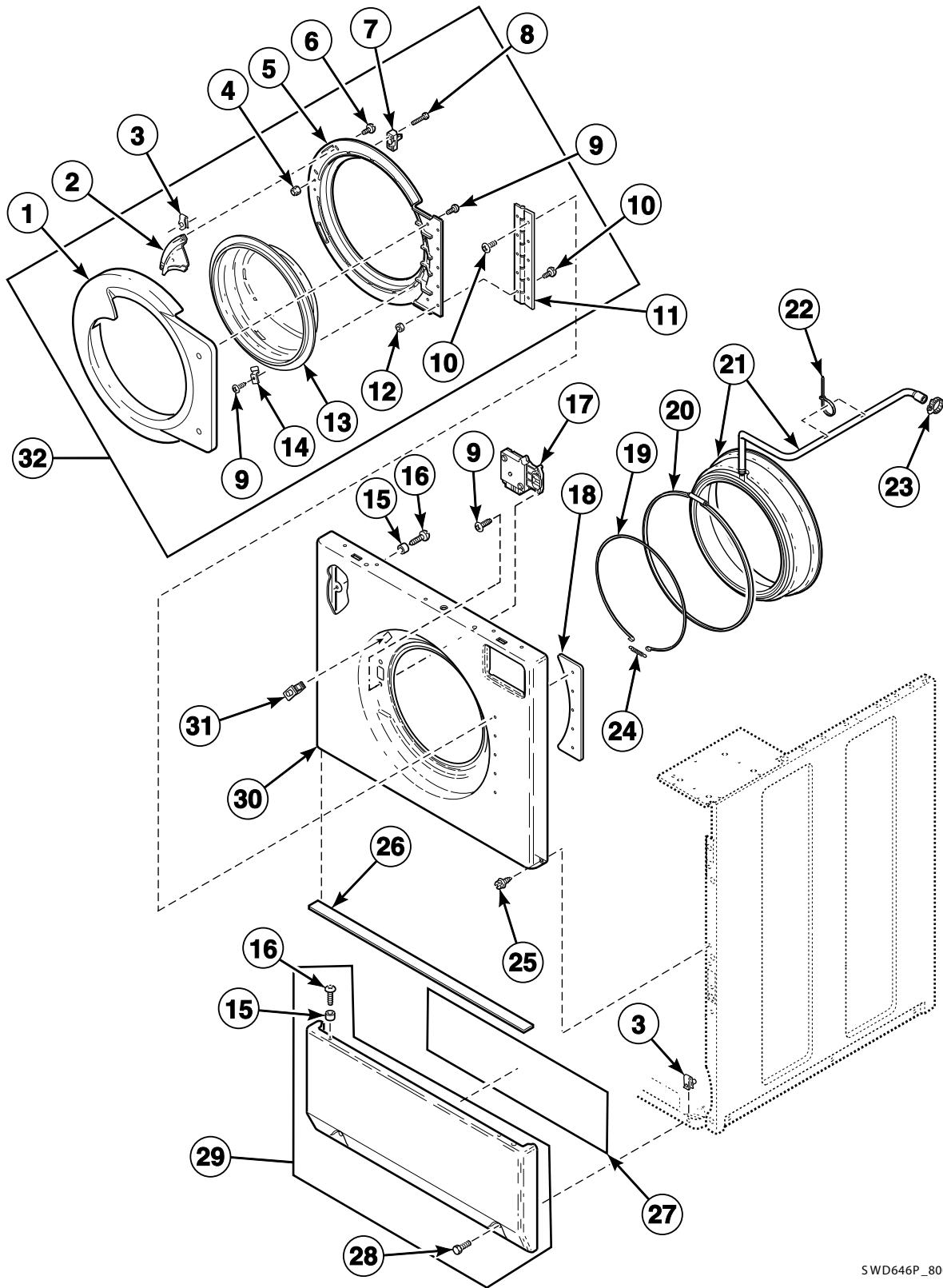
# Washer Front Panel, Older Style Door Assembly and Door Seal

REF	PART NO.	DESCRIPTION	COMMENTS
1	800435WP	Front Panel Assembly	White; Includes items 2, 3, and 5, 800437 Hinge Plate, 800336* Front Panel and 801928* Door Assembly
	800435LP	Front Panel Assembly	Almond; Includes items 2, 3, and 5, 800437 Hinge Plate, 800336* Front Panel and 801928* Door Assembly
	800435QP	Front Panel Assembly	Bisque; Includes items 2, 3, and 5, 800437 Hinge Plate, 800336* Front Panel and 801928* Door Assembly
2	56079	Panel Locator	
3	39733	Screw	
4	800548	Screw	
5	685429	Door Latch/Switch Assembly	
6	800438	Wire Clamp Ring	
7	685743P	Door Seal Clamp	
8	800232P	Door Seal and Hose Assembly Kit	Black
	801784P	Door Seal and Hose Assembly Kit	Gray
9	55881	Harness Strap	
10	802164	Hose Clamp	
11	N/A	Foam Tape	Front panel door opening
12	800346	Extension Spring	
13	685460	Door Hinge Assembly	
14	02916	Screw	
15	35917	Washer	
16	M400017	Washer	
17	52566	Nut	
18	D503661	Screw	
19	685470	Hinge Plate	
20	685862	Screw	
21	N/A	Foam Tape	1 inch by 26 inches
22	36204	Front Panel Pad	
23	33562	Screw	Hex head
	62853	Screw	Torx head; For security
24	D514250WP	Access Panel Assembly	White
	D510069LP	Access Panel	Almond
	D514250Q	Access Panel Assembly	Bisque
25	N/A	Door Bezel	Replace using 800435*P Front Panel Assembly (includes newer style door assembly)
26	685846	Nut	
27	685438	Door Handle	
28	23951	Nut	
29	800233	Bumper	
30	685430	Locking Catch	
31	801993	Screw	
32	800211	Door Switch	

\* Add Letter To Designate Color. L - Almond Q - Bisque W - White

N/A = Part no longer available

# Washer Front Panel, Newer Style Door Assembly and Door Seal



SWD646P\_800169

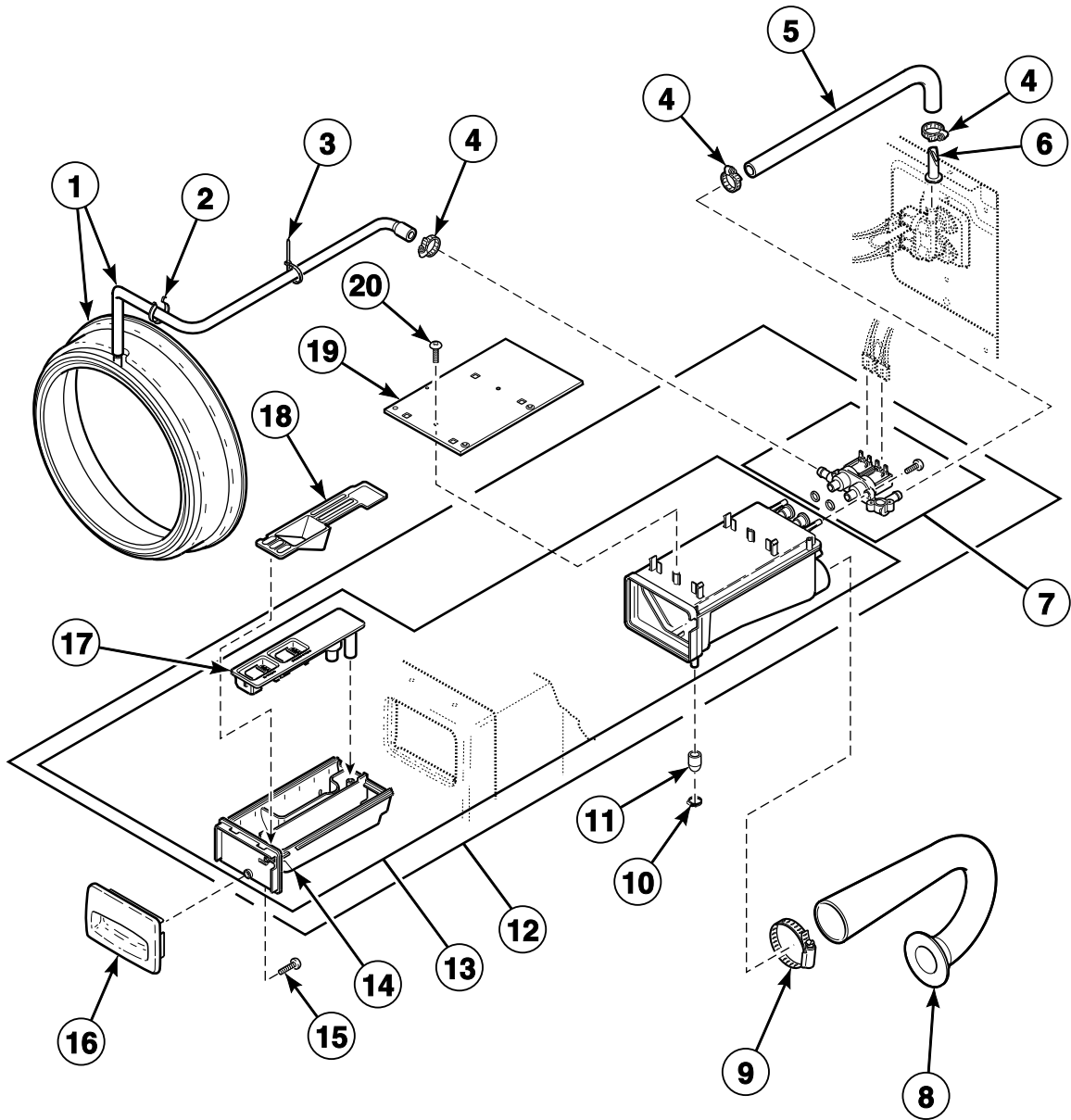
# Washer Front Panel, Newer Style Door Assembly and Door Seal

REF	PART NO.	DESCRIPTION	COMMENTS
1	800341W	Door Bezel	White
	800341L	Door Bezel	Almond
	800341Q	Door Bezel	Bisque
2	800342	Door Handle	
3	36020	Nut	
4	685846	Nut	
5	800340	Inner Door Bezel	
6	800528	Screw	
7	685430	Locking Catch	
8	801993	Screw	
9	800548	Screw	
10	801019	Screw	
11	802934	Door Hinge	
12	23951	Nut	
13	800343P	Door Glass	
14	800906	Hold-Down Clip	
15	56079	Panel Locator	
16	39733	Screw	
17	685429	Door Latch/Switch Assembly	
18	802412	Hinge Plate	
19	800438	Wire Clamp Ring	
20	685743P	Door Seal Clamp	
21	800232P	Door Seal and Hose Assembly Kit	Black
	801784P	Door Seal and Hose Assembly Kit	Gray
22	55881	Harness Strap	
23	802164	Hose Clamp	
24	800346	Extension Spring	
25	D503661	Screw	
26	N/A	Foam Tape	
27	36204	Front Panel Pad	
28	23008	Screw	
29	D514250WP	Access Panel Assembly	White
	D510069LP	Access Panel	Almond
	D514250Q	Access Panel Assembly	Bisque
30	800336WP	Front Panel	White
	800336LP	Front Panel	Almond
	800336QP	Front Panel	Bisque
31	800211	Door Switch	
32	800436WP	Door Assembly	White; Includes items 1-14
	800436LP	Door Assembly	Almond; Includes items 1-14
	800436QP	Door Assembly	Bisque; Includes items 1-14

\* Add Letter To Designate Color. L - Almond Q - Bisque W - White

N/A = Part no longer available

# Dispenser Assembly



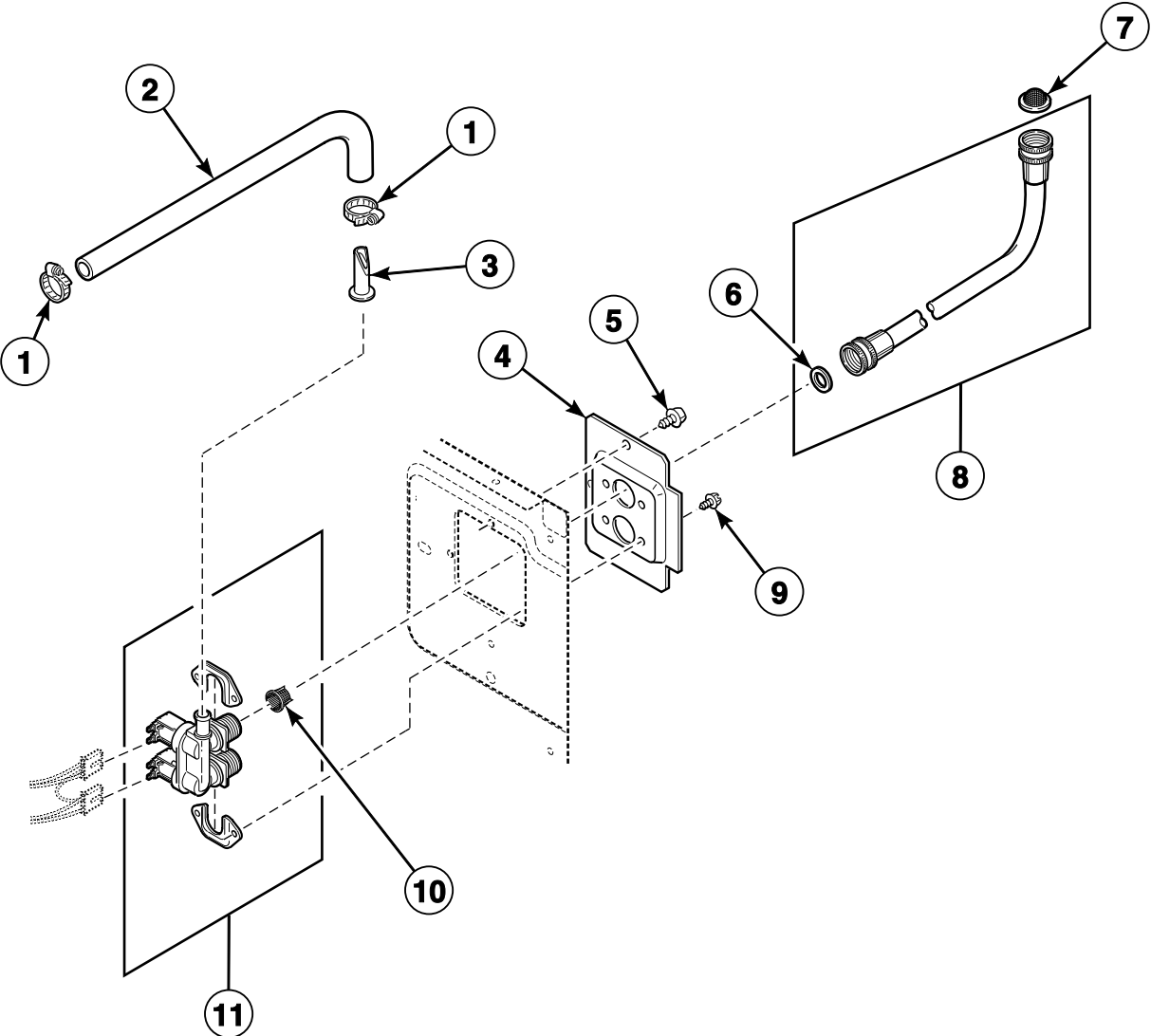
FLW820P\_800169



# Dispenser Assembly

REF	PART NO.	DESCRIPTION	COMMENTS
1	800232P	Door Seal and Hose Assembly Kit	Black
	801784P	Door Seal and Hose Assembly Kit	Gray
2	687500	Wire Clip	
3	55881	Harness Strap	
4	802164	Hose Clamp	
5	801464	Valve-to-Dispenser Inlet Hose	
6	34500	Backflow Preventer	
7	685766P	Valve Kit	
8	800331	Dispenser-to-Tub Hose	
9	685725	Hose Clamp	
10	F200206	Hose Clamp	Use if pump-to-dispenser hose is removed
11	801746	Cap	Use if pump-to-dispenser hose is removed
12	685756P	Dispenser	Includes items 7, 13, 14 and 17
13	801476P	Dispenser Assembly	Includes items 14 and 17
14	685757P	Dispenser Drawer	
15	800548	Screw	
16	685715WP	Dispenser Drawer Front	White
	685715L	Dispenser Drawer Front	Almond
	685715QP	Dispenser Drawer Front	Bisque
17	685716	Insert	
18	800899	Detergent Cover	
19	801024	Dispenser Plate	
20	801001	Screw	

# Mixing Valve, Valve-to-Dispenser Inlet Hose and Fill Hose

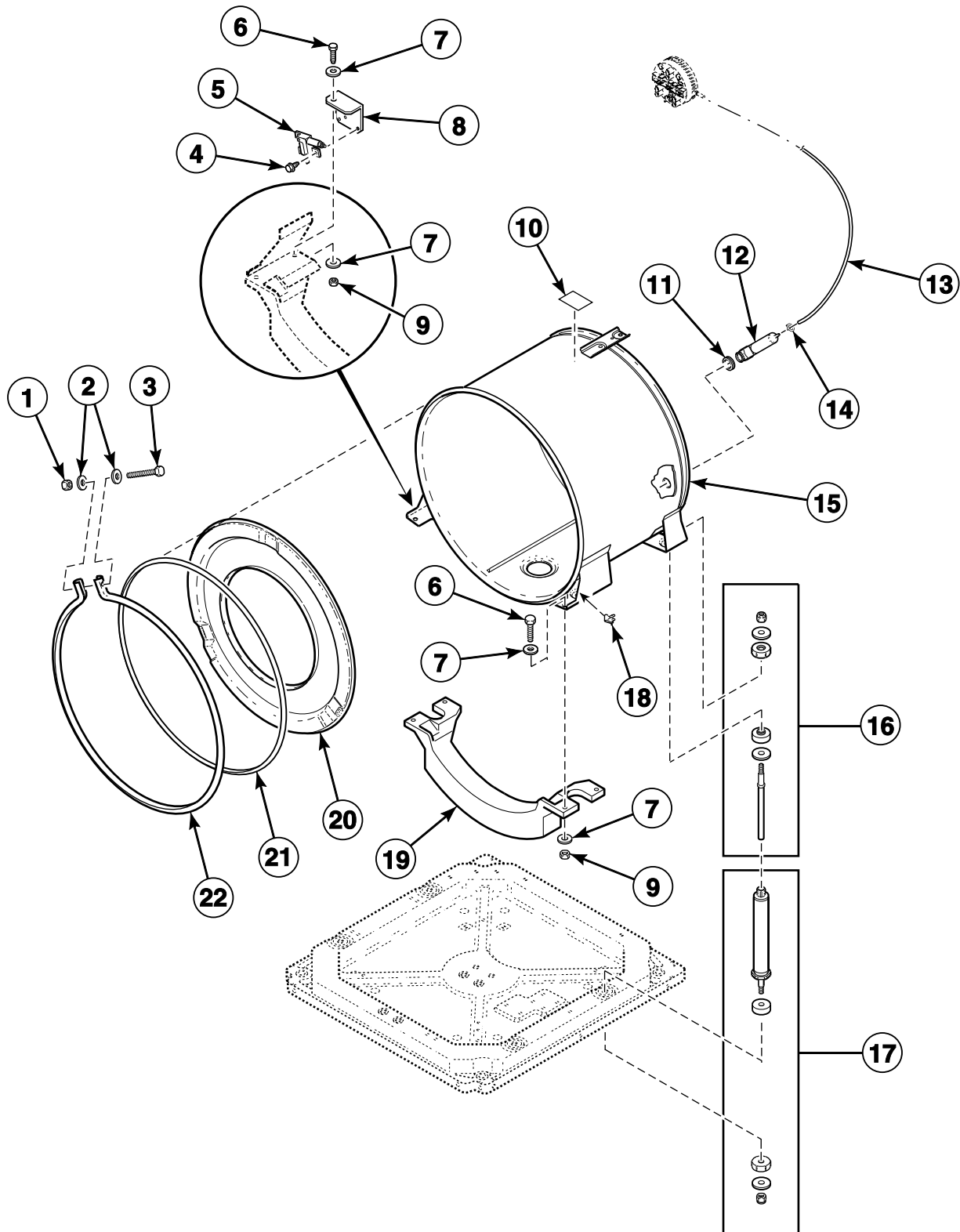


FLW881P\_800169

## Mixing Valve, Valve-to-Dispenser Inlet Hose and Fill Hose

REF	PART NO.	DESCRIPTION	COMMENTS
1	802164	Hose Clamp	
2	801464	Valve-to-Dispenser Inlet Hose	
3	34500	Backflow Preventer	
4	800323	Mixing Valve Plate	
5	D503661	Screw	
6	20290	Washer	
7	803615	Washer	Filter screen
	802254	Washer	Flow restrictor; Water pressure reducer; Available for water pressure up to but not exceeding 120 psi
8	F200116	Water Hose	5 feet; Includes 2 of item 6
	20617	Fill Hose	8 feet
	20618	Fill Hose	10 feet
9	D501086	Screw	
10	802926	Mixing Valve Screen	
11	802220P	Mixing Valve	

# Outer Tub, Front and Clamp Ring

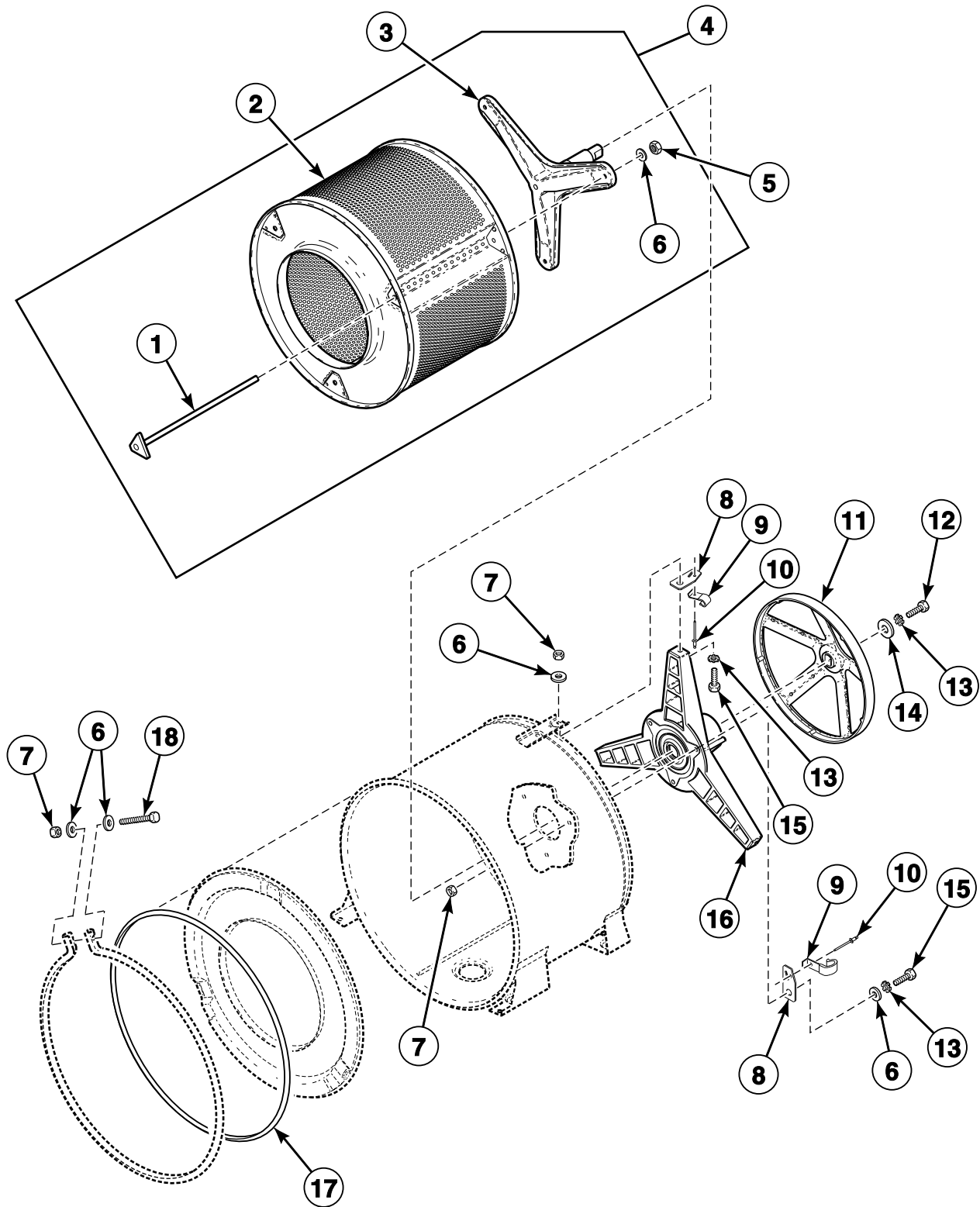


FLW866P\_800169

## Outer Tub, Front and Clamp Ring

REF	PART NO.	DESCRIPTION	COMMENTS
1	F430218	Nut	
2	800457	Washer	
3	800462	Screw	
4	D503661	Screw	
5	806512	Out-of-Balance Switch Assembly Kit	
6	800461	Screw	
7	M400081	Washer	
8	800663	Switch Mounting Bracket	
9	800452	Nut	
10	D500049	Warning Label	
11	29175	Grommet	
12	205241	Pressure Bulb Assembly	
13	800648P	Tubing	
14	39282	Hose Clamp	
15	801081P	Outer Tub Assembly	
16	800622P	Tub Shock Absorber Kit	Upper
17	800623P	Base Shock Absorber Kit	Lower
18	00161	Grounding Clip	
19	800205	Ballast Weight	
20	800430	Tub Front Assembly	
21	800432P	Tub Front Seal	
22	800312	Clamp Ring	

# Inner Basket, Trunnion, Bearing Housing and Pulley

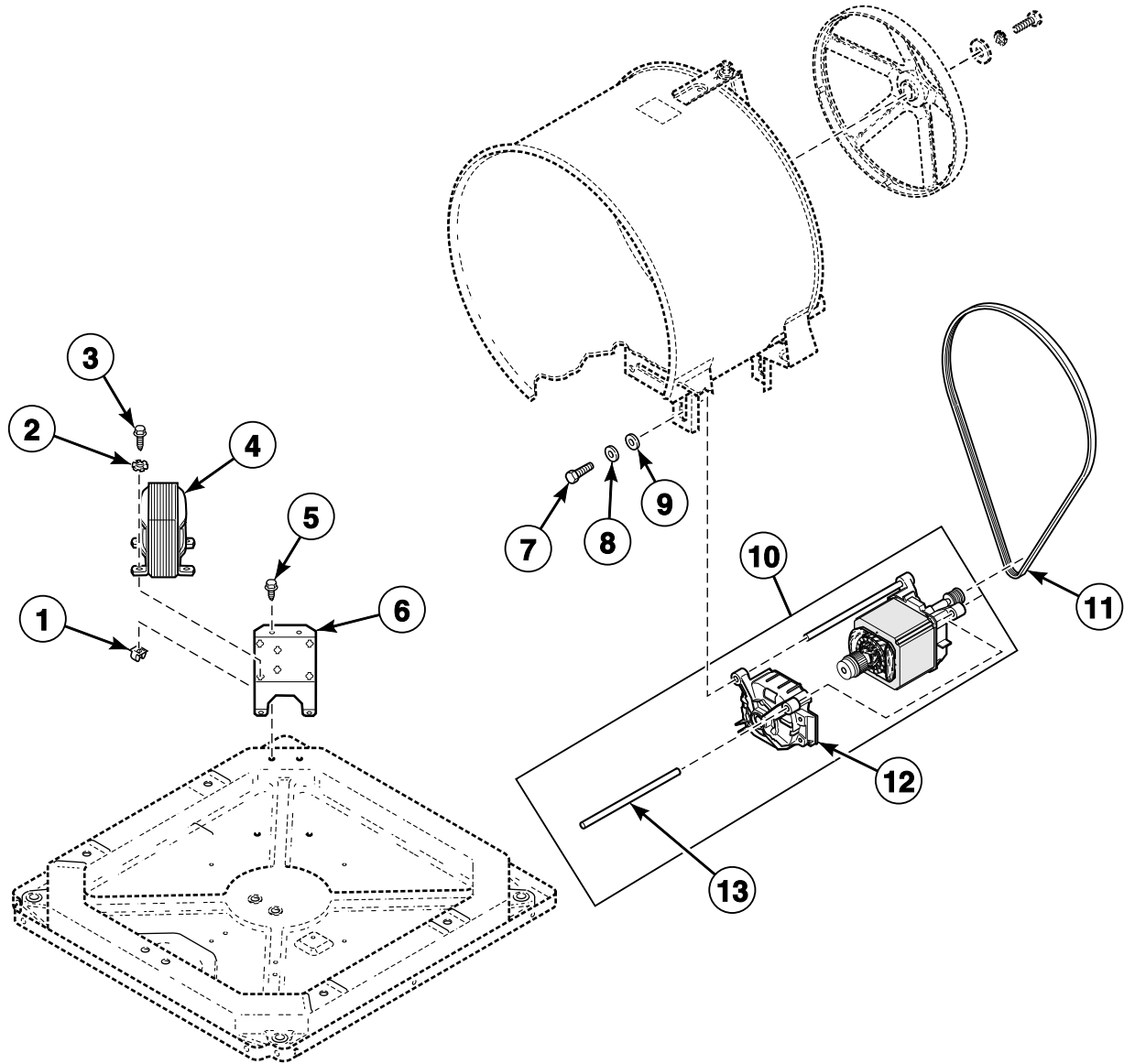


FLW865P\_800169

## Inner Basket, Trunnion, Bearing Housing and Pulley

REF	PART NO.	DESCRIPTION	COMMENTS
	27604P	Anti-Seize Compound	Pulley to inner basket shaft
	838P3	Hardware Kit	Includes (8) of item 6, (7) each of items 7 and 13, (6) of item 10, (1) each of items 12, 14, 17, 18, and 27604P Anti-Seize Compound
<b>1</b>	800666	Tension Rod Assembly	
<b>2</b>	803007P	Inner Basket Assembly	Includes (3) each of items 1, 5, 6 and 838P3 Hardware Kit
<b>3</b>	800749P	Trunnion Shaft and Hardware Kit	Includes (3) each of items 1, 5, 6 and 838P3 Hardware Kit
<b>4</b>	800429P	Inner Basket Assembly	Includes items 2, 3, (3) each of items 1, 5, 6 and 838P3 Hardware Kit
<b>5</b>	803017	Nut	
<b>6</b>	800457	Washer	
<b>7</b>	800452	Nut	
<b>8</b>	800552	Hose Mounting Plate	
<b>9</b>	800553	Hose Clip	
<b>10</b>	685847	Pop Rivet	
<b>11</b>	800866	Driven Pulley	
<b>12</b>	685831	Screw	Left hand thread
<b>13</b>	M403958	Washer	
<b>14</b>	807679	Washer	
<b>15</b>	M400043	Screw	
<b>16</b>	800428P	Bearing Housing Kit	Includes 838P3 Hardware Kit
<b>17</b>	800432P	Tub Front Seal	
<b>18</b>	800462	Screw	

# Washer Motor and Belt



FLW937P\_800169

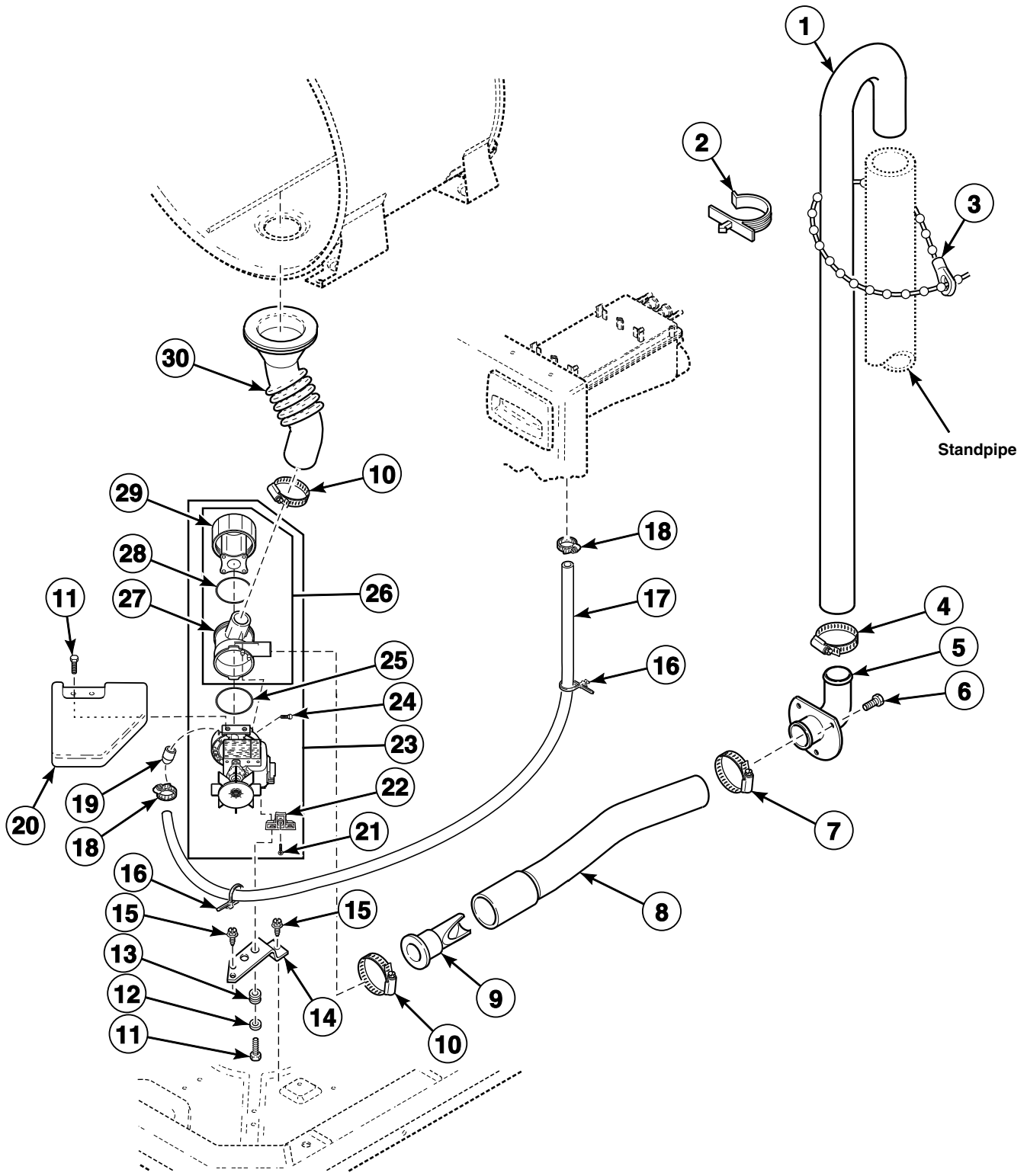


## Washer Motor and Belt

REF	PART NO.	DESCRIPTION	COMMENTS
1	70030501	Expansion Clip	
2	M400014	Washer	
3	M411072	Screw	
4	686513P	Transformer	
5	D503661	Screw	
6	N/A	Transformer Bracket	
7	M400056	Screw	
8	02834	Washer	
9	M400080	Washer	
10	685639P	Motor Assembly	230 Volt; Includes item 12 and 2 of item 13
11	800319P	Drive Belt	
12	738P3	Motor Brush Kit	
13	801062	Motor Mount Rod	

**N/A = Part no longer available**

# Hoses and Pump

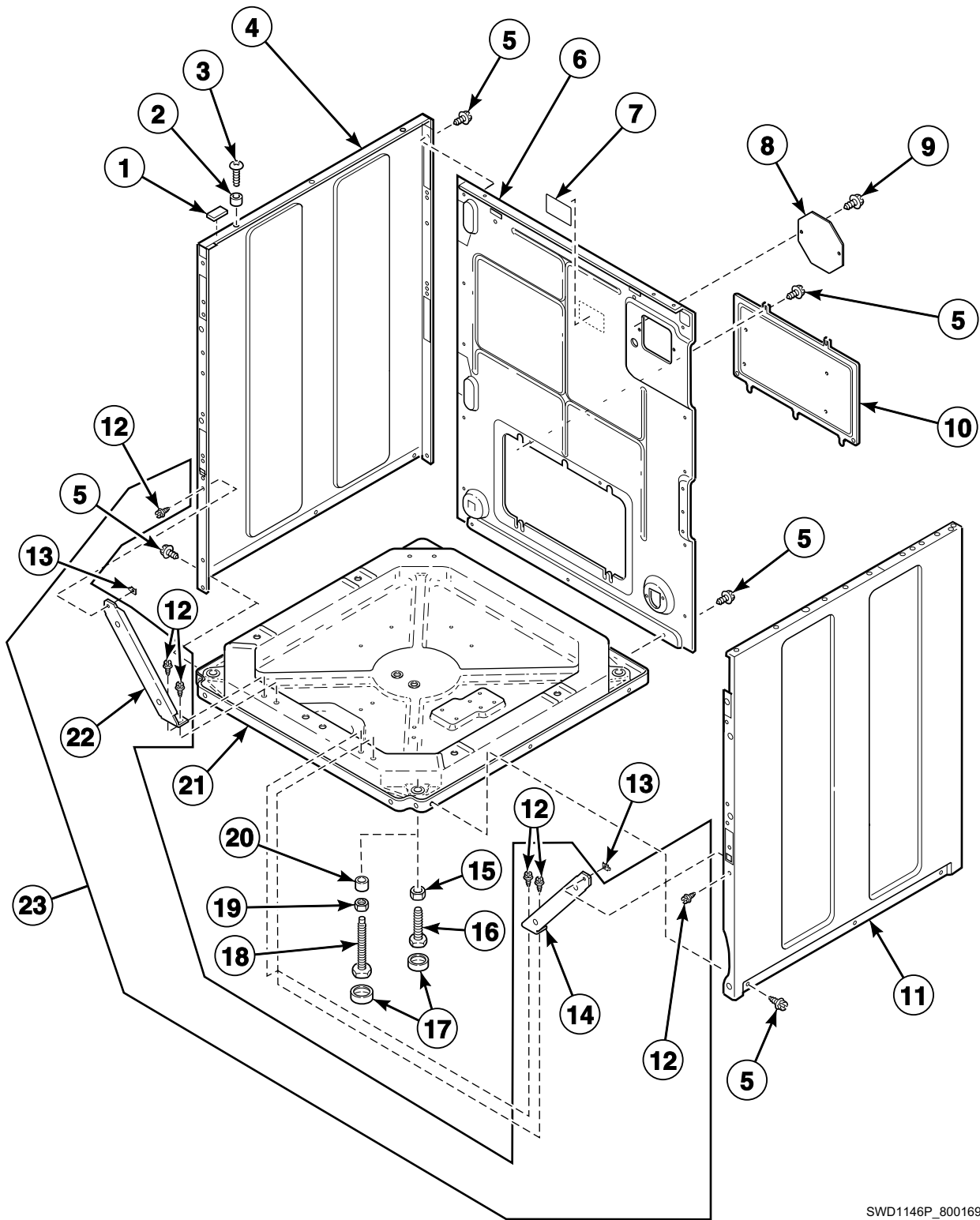


SWD1239P\_800169

# Hoses and Pump

REF	PART NO.	DESCRIPTION	COMMENTS
1	27154	Drain Hose	
2	36014	Retainer Clip	
3	33489	Standpipe Strap	
4	20211	Hose Clamp	
5	35766	Drain Hose Elbow	
6	52909	Screw	
7	20391	Hose Clamp	
8	685737	Pump-to-Elbow Hose	
9	800310	Backflow Preventer	
10	36802	Hose Clamp	
11	38096	Screw	Metric; Use with 685703 Drain Pump
	D501285	Screw	Use with 801015 Drain Pump
12	800465	Washer	Use with 685703 and 801015 Drain Pump
13	802218	Grommet	Use with 685703 and 801015 Drain Pump
14	802219	Pump Bracket	Use with 685703 and 801015 Drain Pump
	802626	Pump Mount Bracket	Use with 802623 Drain Pump
15	D503661	Screw	
16	38663	Wire Tie	
17	800424	Pump-to-Dispenser Hose Assembly	Use with 685703 Drain Pump
18	F200206	Hose Clamp	Use with 685703 Drain Pump
19	801112	Nozzle Cap	Use with 685703 Drain Pump if pump-to-dispenser hose is removed
20	38067	Pump Shield	Use with 685703 Drain Pump
21	802430	Screw	Use with 801015 and 802623 Drain Pump
22	802432	Pump Mount	Use with 801015 Drain Pump
23	888P3	Drain Pump Kit	Includes wire harness adapter
24	802431	Screw	Use with 801015 and 802623 Drain Pump
25	802487	O-Ring	Use with 685703 Drain Pump
	802429P	O-Ring	Use with 801015 and 802623 Drain Pump
26	801209	Pump Housing Assembly	Includes items 27-29; Use with 685703 Drain Pump
	802434P	Pump Housing Assembly	Includes items 27-29; Use with 801015 and 802623 Drain Pump
27	801208	Pump Housing	Use with 685703 Drain Pump
	802428	Pump Housing	Use with 801015 and 802623 Drain Pump
28	801207	O-Ring	Use with 685703 Drain Pump
	802427	Gasket	Use with 801015 and 802623 Drain Pump
29	801206P	Lid Assembly	Includes filter; Use with 685703 Drain Pump
	802426P	Lid Assembly	Includes filter; Use with 801015 and 802623 Drain Pump
30	800317	Tub-to-Pump Hose	
	27615P	Sealant	Tub-to-pump hose to outer tub

# Washer Base, Side Panels and Rear Panel



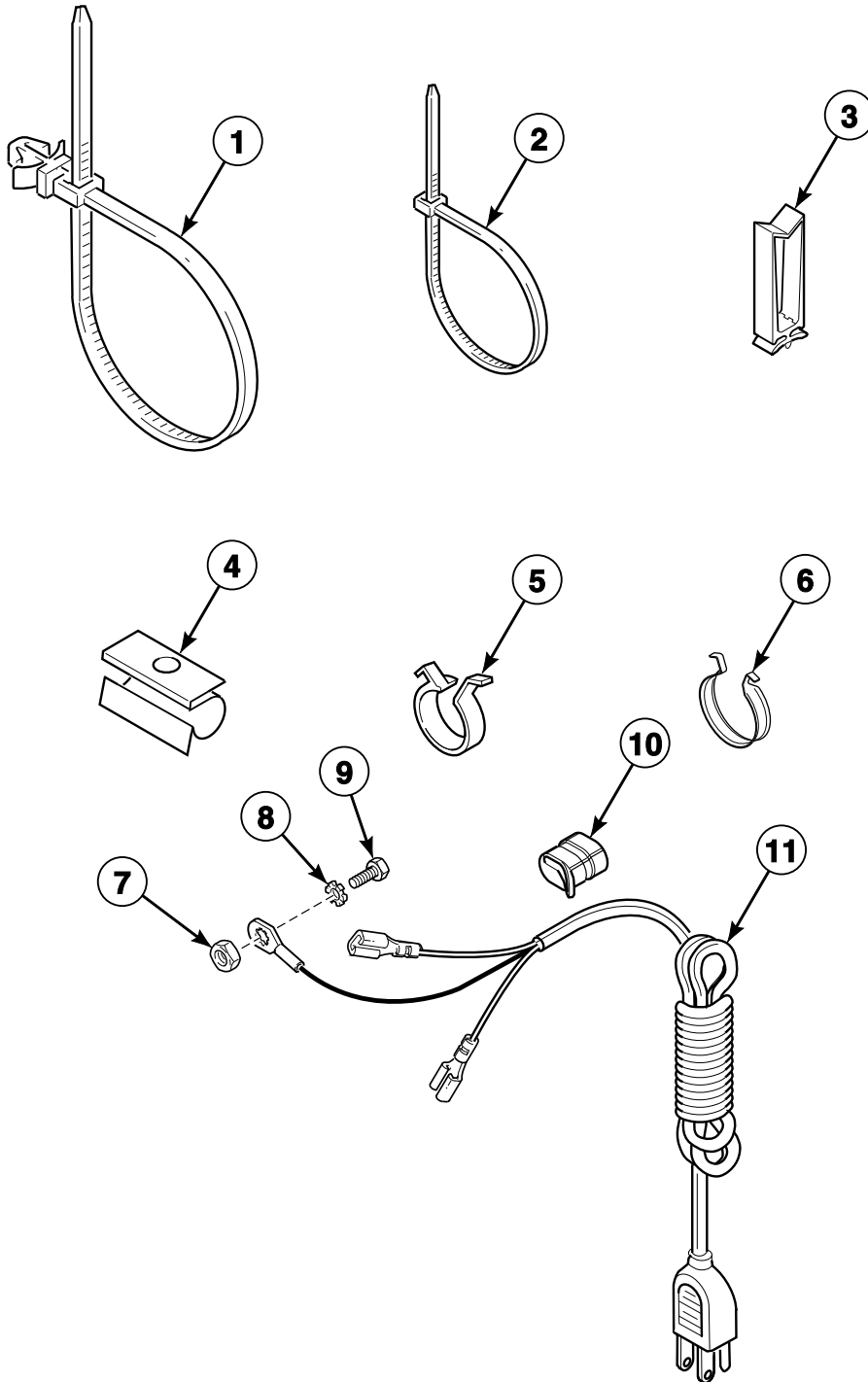
SWD1146P\_800169

## Washer Base, Side Panels and Rear Panel

REF	PART NO.	DESCRIPTION	COMMENTS
	784P3	Cabinet Brace Kit	Use this kit instead of items 12-14 and 23 on models through Serial No. 0206018889
1	56128	Bumper Pad	
2	56079	Panel Locator	
3	39733	Screw	
4	800004WP	Cabinet Panel Kit	White; Left; Includes corner gusset with hardware
	800004LP	Cabinet Panel Kit	Almond; Left; Includes corner gusset with hardware
	800004QP	Cabinet Panel Kit	Bisque; Left; Includes corner gusset with hardware
5	D503661	Screw	
6	800010P	Rear Panel	
7	685928	Left Hand Thread Label	
8	61203	Thermostat Opening Cover	Models HTE517*E2802, HTE517*H2802, HTE717*E2802, HTEB17*J2802, HTEF17*J2802, HTET17*H2802, HTEX17*H2902, HTEY17*H2802, HTEZ17*H2802, HTG519*E0902, HTG519*H0902, HTG719*E0902, HTGB19*J0902, HTGB19*J99L8, HTGF19*J0902, HTGT19*H0902, HTGX19*H0902, HTGY19*H0902 and HTGZ19*H0902
9	M405188	Screw	Use with item 8
10	800011	Rear Access Panel	
11	806492	Side Panel Kit	White; Right; Includes 801024 Dispenser Plate with hardware
	N/A	Side Panel Kit	Almond; Right; Includes 801024 Dispenser Plate with hardware
	800005QP	Side Panel Kit	Bisque; Right; Includes 801024 Dispenser Plate with hardware
12	31645	Screw	
13	N/A	Nut	Not used if ordering new braces (items 14 and 23)
14	801492	Cabinet Brace	Right; Used only on models starting Serial No. 0206018890 or with a new base assembly (item 22)
15	21899	Nut	For 1/2 inch leveling leg
16	34319	Leveling Leg	1/2 inch leveling leg
17	34318	Rubber Foot	
18	800014	Leveling Leg	3/8 inch leveling leg
19	20274	Nut	For 3/8 inch leveling leg
20	800015	Leveling Leg Spacer	For 3/8 inch leveling leg
21	803876	Base Assembly	
22	801491	Cabinet Brace	Left; Used only on models starting Serial No. 0206018890 or with a new base assembly (item 22)
23	918P3	Brace Kit	Includes items 12, 14 and 23; Used only on models starting serial no. 0206018890 or with a new base assembly (item 22)

\* Add Letter To Designate Color. L - Almond Q - Bisque W - White  
 N/A = Part no longer available

# Washer Power Cord, Wire Ties and Harness Clips



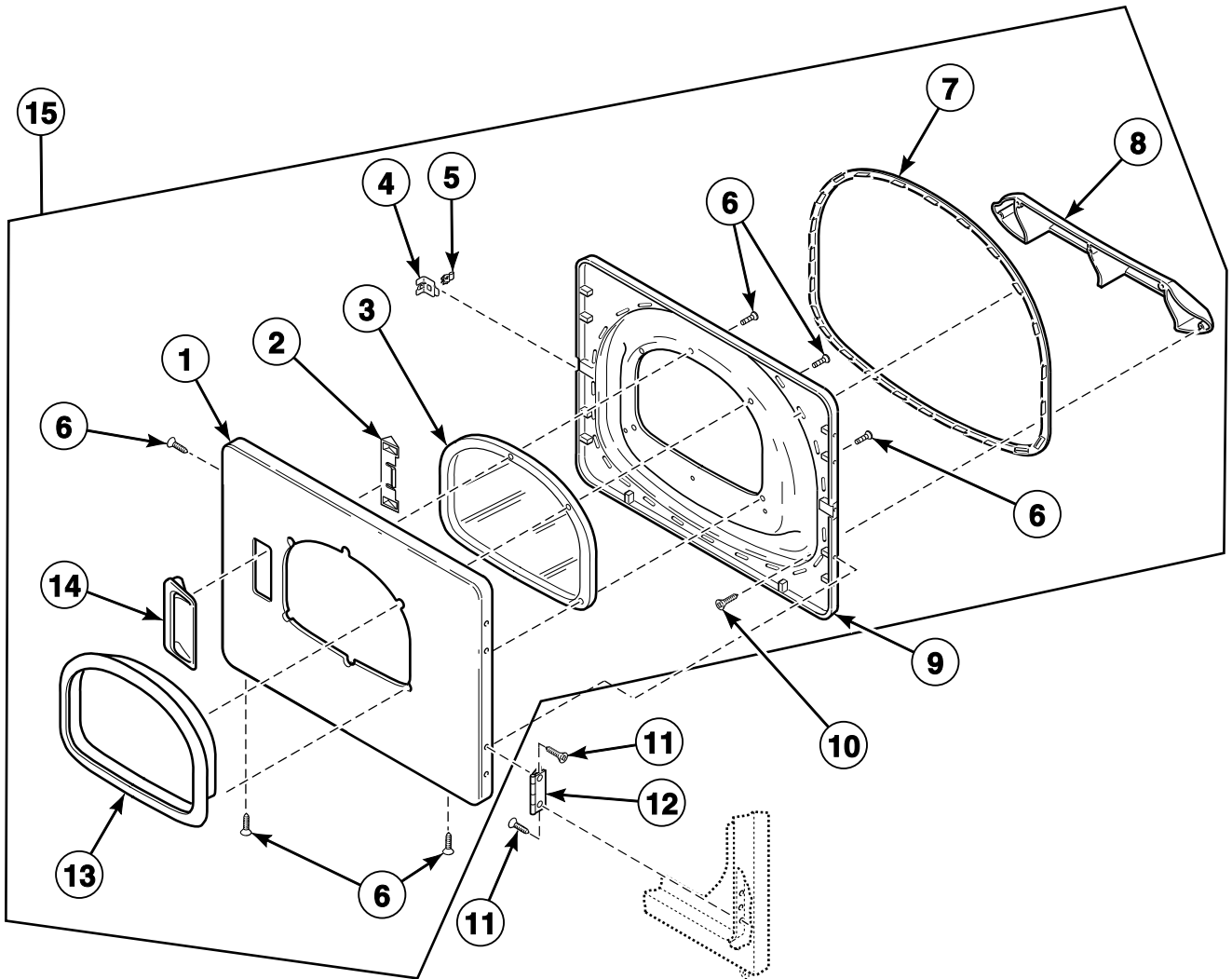
H130P\_800169

## Washer Power Cord, Wire Ties and Harness Clips

REF	PART NO.	DESCRIPTION	COMMENTS
1	38663	Wire Tie	
2	55881	Harness Strap	
3	70366201	Wire Clip	
4	36985	Hose Clip	
5	D504034	Wire Clip	Small
6	687500	Wire Clip	Large
7	03673	Nut	
8	03815	Washer	
9	685837	Screw	
10	38384	Strain Relief	
11	34458	Lead-In Cord	All models except HTE517*E2802, HTE517*H2802, HTE717*E2802, HTEB17*J2802, HTEB17*J99L1, HTEF17*J2802, HTET17*H2802, HTEX17*H2902, HTEY17*H2802, HTEZ17*H2802, HTG519*E0902, HTG519*H0902, HTG719*E0902, HTGB19*J0902, HTGB19*J99L8, HTGF19*J0902, HTGT19*H0902, HTGX19*H0902, HTGY19*H0902 and HTGZ19*H0902

\* Add Letter To Designate Color. L - Almond Q - Bisque W - White

# Dryer Loading Door



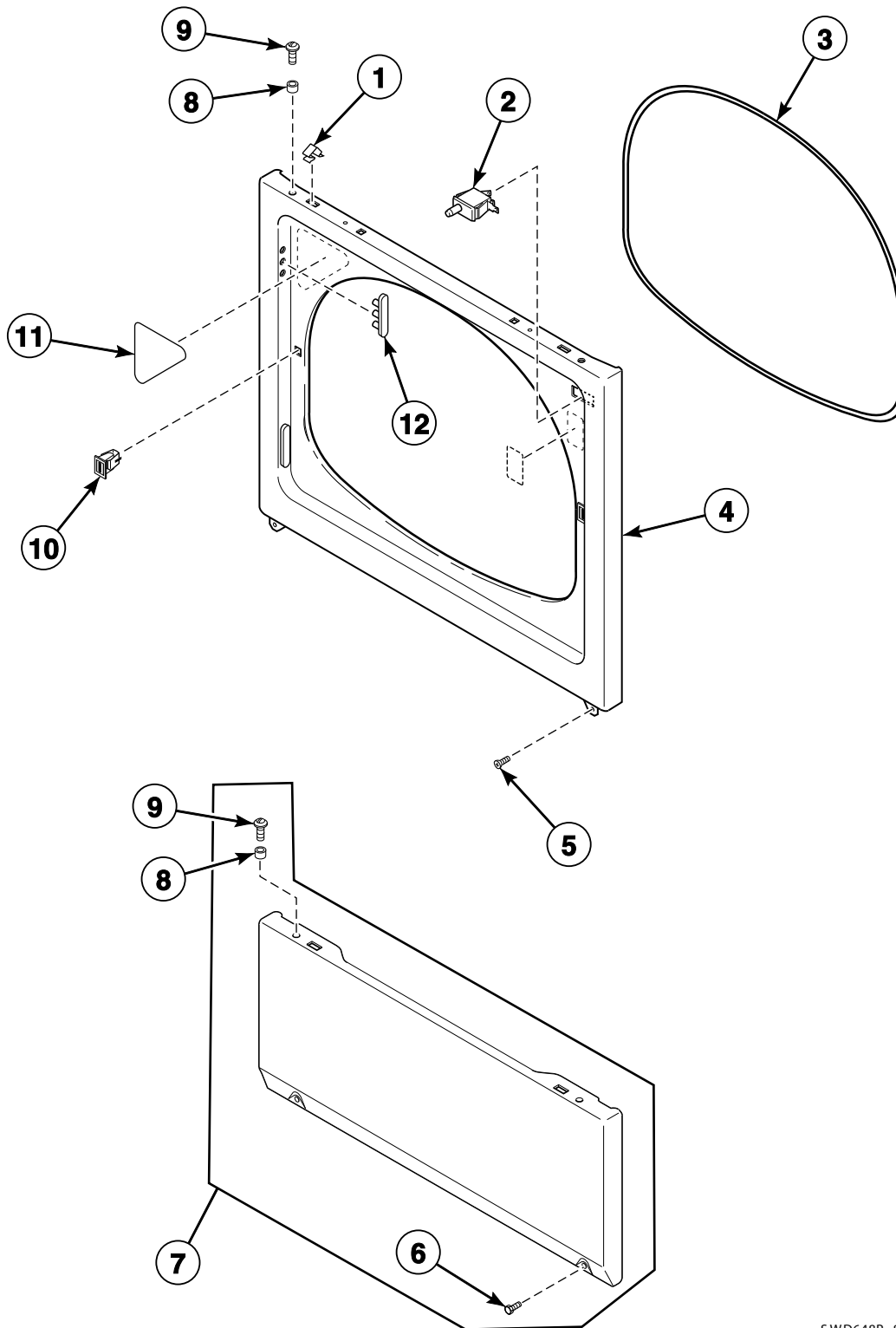
D427P\_800169



## Dryer Loading Door

REF	PART NO.	DESCRIPTION	COMMENTS
1	D510082WP	Dryer Door	White
	D510082LP	Dryer Door	Almond
	D510082QP	Dryer Door	Bisque
2	D510129W	Door Handle Wedge	
3	D503982P	Dryer Door Window	
4	D510127	Door Strike Mount	
5	D510181	Door Strike	
6	D500226	Screw	
7	D510147P	Liner Door Seal	
8	D503870W	Door Liner Grill	
9	D516509	Liner and Seal Assembly	Includes item 7
10	D505870	Screw	
11	D505295	Screw	
12	D511036	Hinge	
13	D503981W	Window Trim	White
	D503981L	Window Trim	Almond
	D503981Q	Window Trim	Bisque
14	D510103WP	Door Pull and Wedge Kit	White; Includes item 2
	D510103LP	Door Pull and Wedge Kit	Almond; Includes item 2
	D510103QP	Door Pull and Wedge Kit	Bisque; Includes item 2
15	D516737W	Door Assembly	White; Includes items 1-10, 13 and 14
	D511636LP	Door and Liner Assembly	Almond; Includes items 1-10, 13 and 14
	D511636QP	Door and Liner Assembly	Bisque; Includes items 1-10, 13 and 14

# Dryer Access Panel, Front Panel and Seal

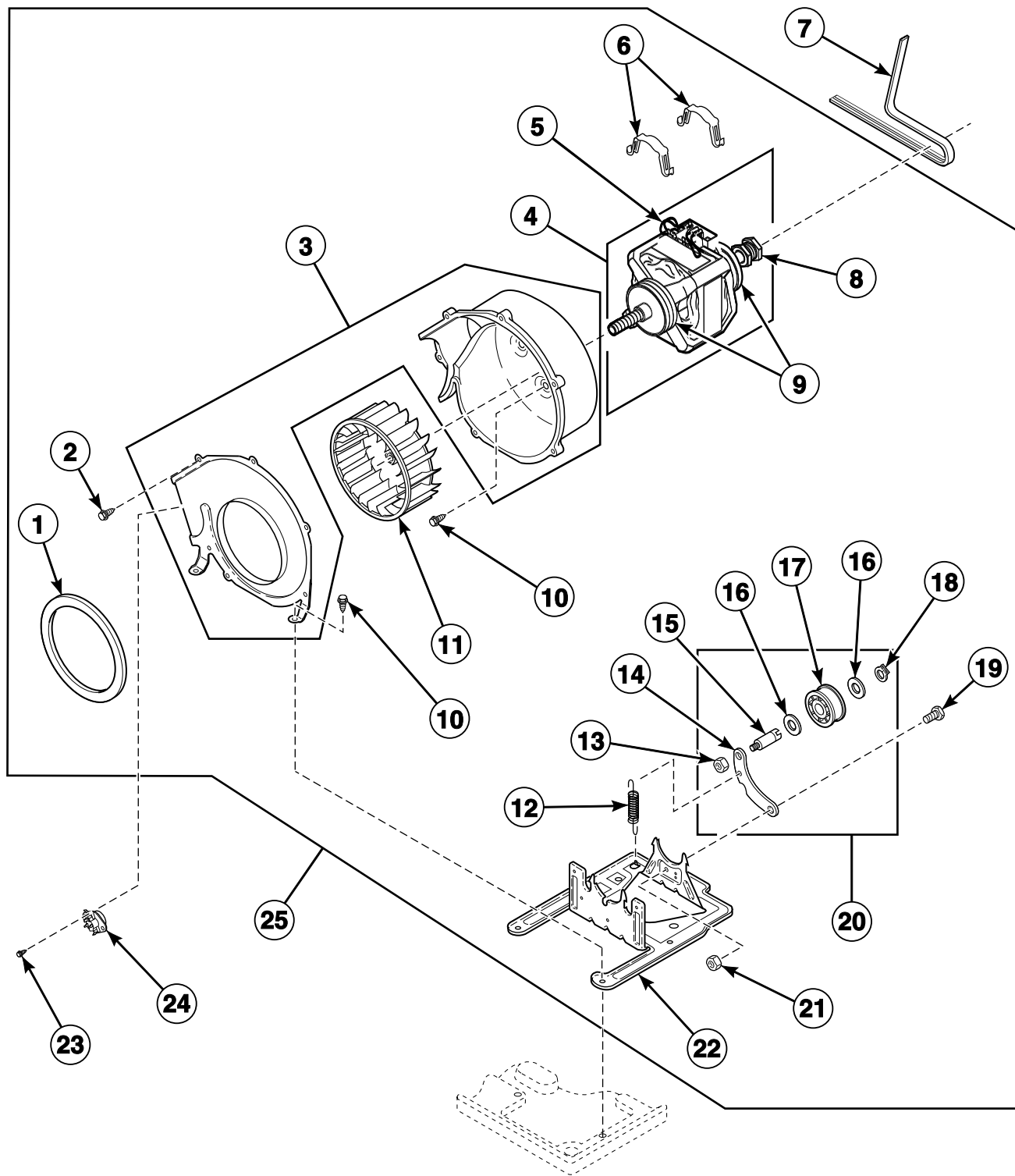


5WD648P\_800169

## Dryer Access Panel, Front Panel and Seal

REF	PART NO.	DESCRIPTION	COMMENTS
1	28835	Speed Clip	
2	D512973	Switch	
3	D511056	Front Panel Seal	
4	D510066WP	Front Panel	White
	D510066LP	Front Panel	Almond
	D510066QP	Front Panel	Bisque
5	D503688	Screw	
6	33562	Screw	Slotted hex head
	62853	Screw	Torx head; Optional for added security
7	D514250WP	Access Panel Assembly	White
	D510069LP	Access Panel	Almond
	D514250Q	Access Panel Assembly	Bisque
8	56079	Panel Locator	
9	39733	Screw	
10	D510177	Door Catch Assembly	
11	D500281	Warning/Caution Label	English
	D500253	Caution Label	English/French
12	D510186	Hinge Hole Plug	

# Dryer Motor, Exhaust Fan and Belt



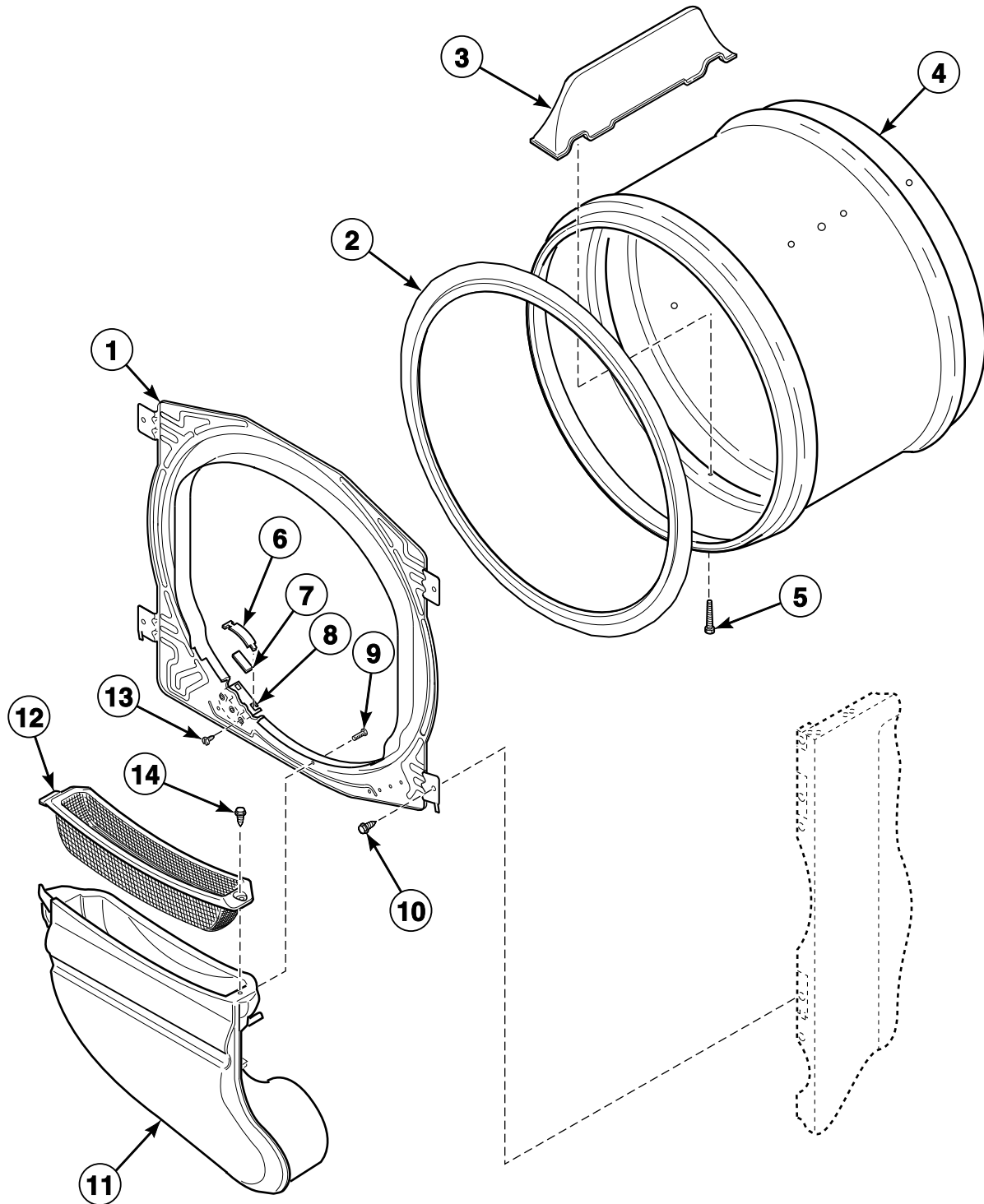
SWD1159P\_800169

## Dryer Motor, Exhaust Fan and Belt

REF	PART NO.	DESCRIPTION	COMMENTS
1	D510238P	Blower Housing Seal	
2	31260	Screw	
3	D511969WP	Blower Housing	
4	D511629P	Motor and Pulley Assembly	120 Volt/60 Hertz; Includes items 5, 8 and 9
5	N/A	Motor Switch Kit	Does not include thermal protector
6	D510180	Motor Mount Clamp	
7	D511255P	Cylinder Belt	
8	D500011	Motor Pulley	
9	590P3	Motor Hub Ring Kit	
10	D503688	Screw	
11	D510139P	Blower Fan Assembly	
12	D510185	Idler Spring	
13	56156	Nut	
14	D516310	Idler Lever	
15	56461P	Shaft	
16	52549	Washer	
17	D510142P	Idler Wheel and Bearing Assembly	
18	23748	Retaining Ring	
19	D500824	Screw	
20	D516792	Idler Lever and Wheel Assembly	Includes items 13-18
21	52566	Nut	
22	D518517	Motor Mount	
23	23222	Screw	
24	D510523	Thermistor Assembly	
25	D510717P	Blower and Fan Kit	Includes items 1-6 and 8-22

**N/A = Part no longer available**

# Front Bulkhead, Air Duct, Felt Seal and Cylinder

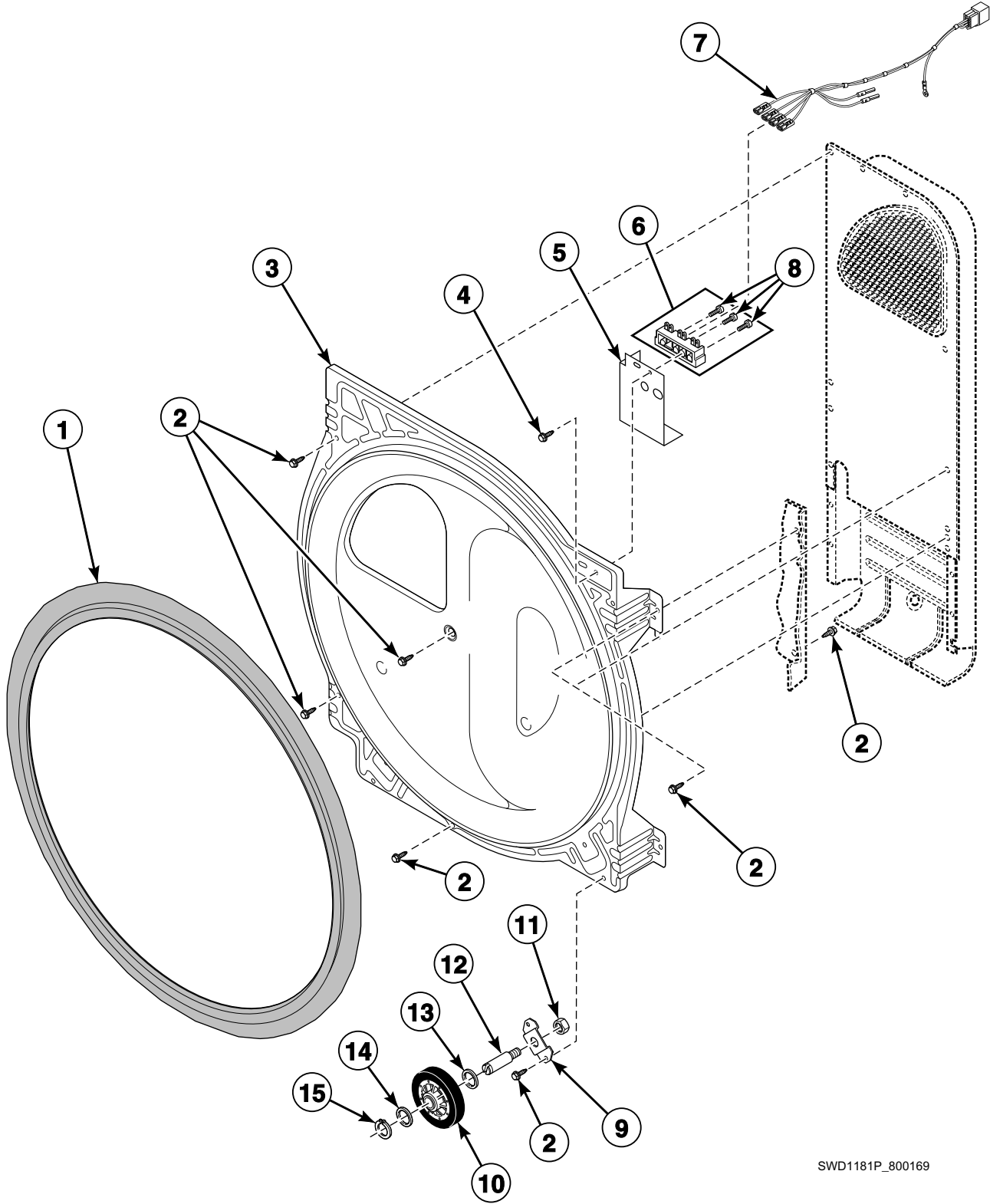


SWD56P\_800169

## Front Bulkhead, Air Duct, Felt Seal and Cylinder

REF	PART NO.	DESCRIPTION	COMMENTS
1	D510266P	Front Bulkhead Assembly	Unpainted; Includes item 2
2	D510207P	Cylinder Seal Assembly	
	D511637P	Adhesive	Use on cylinder seal
3	D510102W	Cylinder Baffle	
4	D510265WP	Cylinder Assembly	Galvanized; Includes item 3
5	62588	Screw	
6	D513710	Cylinder Glide	
7	D510189	Felt Pad	
8	D510145	Cylinder Glide Bracket	
9	52864	Screw	
10	D503688	Screw	
11	D518432	Air Duct Assembly	
12	D503980W	Lint Filter	
13	D505295	Screw	
14	D501285	Screw	

# Rear Bulkhead, Felt Seal, Cylinder Roller and Terminal Block



SWD1181P\_800169



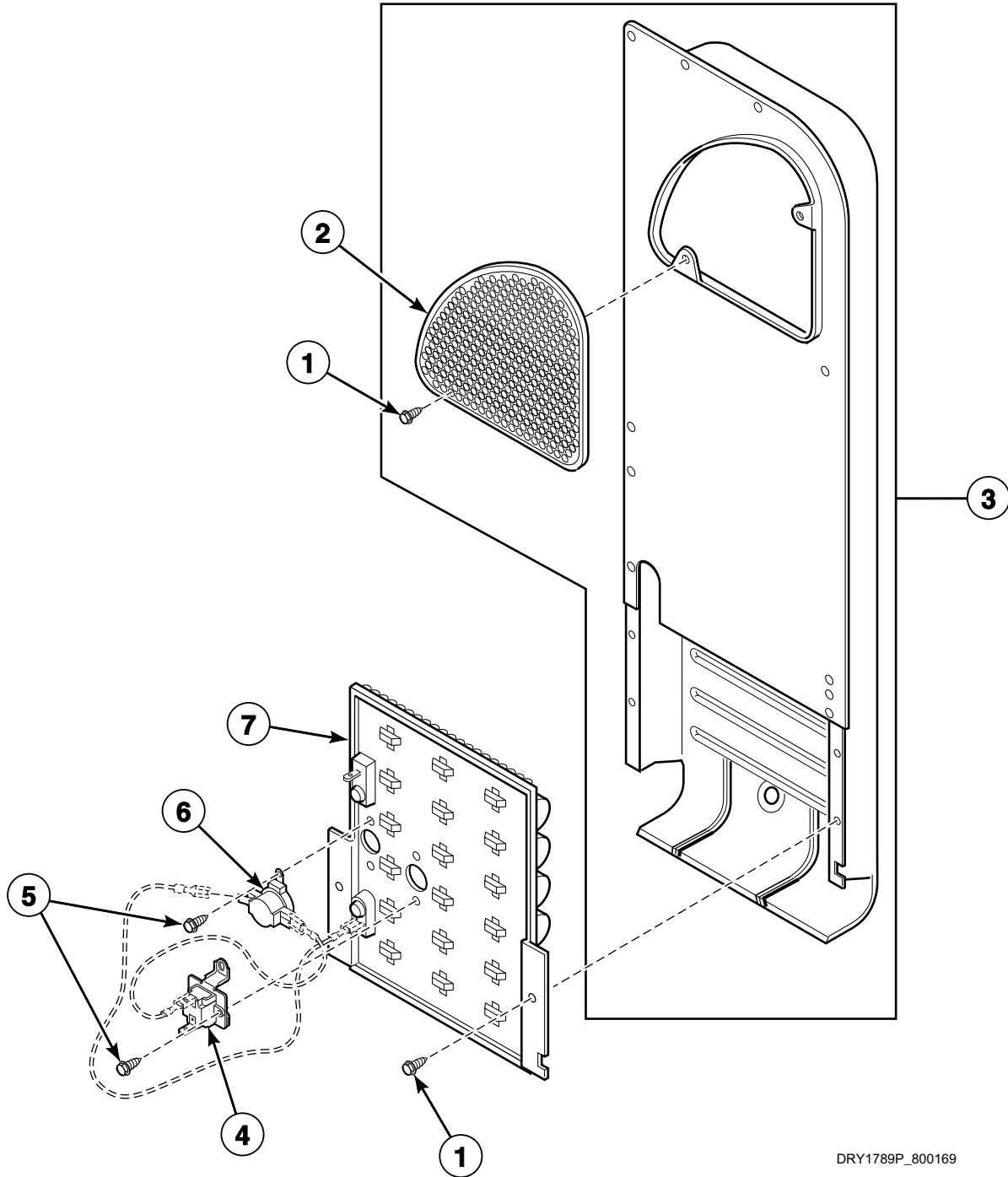
# Rear Bulkhead, Felt Seal, Cylinder Roller and Terminal Block

REF	PART NO.	DESCRIPTION	COMMENTS
1	D510207P	Cylinder Seal Assembly	
	D511637P	Adhesive	Use on cylinder seal
2	D503688	Screw	
3	D511082P	Rear Bulkhead Assembly	Galvanized; Includes item 1
4	D501285	Screw	Electric models
5	D510237	Terminal Block Shield	Electric models
6	D510190P	Terminal Block Assembly	Includes 3 of item 8; Electric models
7	D510622	Wire Harness Assembly	Models HTE517*H2802, HTEB17*J2802, HTEF17*J2802, HTET17*H2802, HTEX17*H2902, HTEY17*H2802 and HTEZ17*H2802
	D510621P	Wire Harness Assembly	Models HTG519*H0902, HTGB19*J0902, HTGB19*J99L8, HTGF19*J0902, HTGT19*H0902, HTGX19*H0902, HTGY19*H0902 and HTGZ19*H0902
8	61199	Screw	
9	D510100	Cylinder Roller Bracket	
10	D510708P	Cylinder Roller	
11	56156	Nut	
12	56461P	Shaft	
13	D504082	Washer	
14	52549	Washer	
15	23748	Retaining Ring	

\* Add Letter To Designate Color. L - Almond Q - Bisque W - White

# Heater Duct and Element Assembly

Electric Model Dryers



DRY1789P\_800169

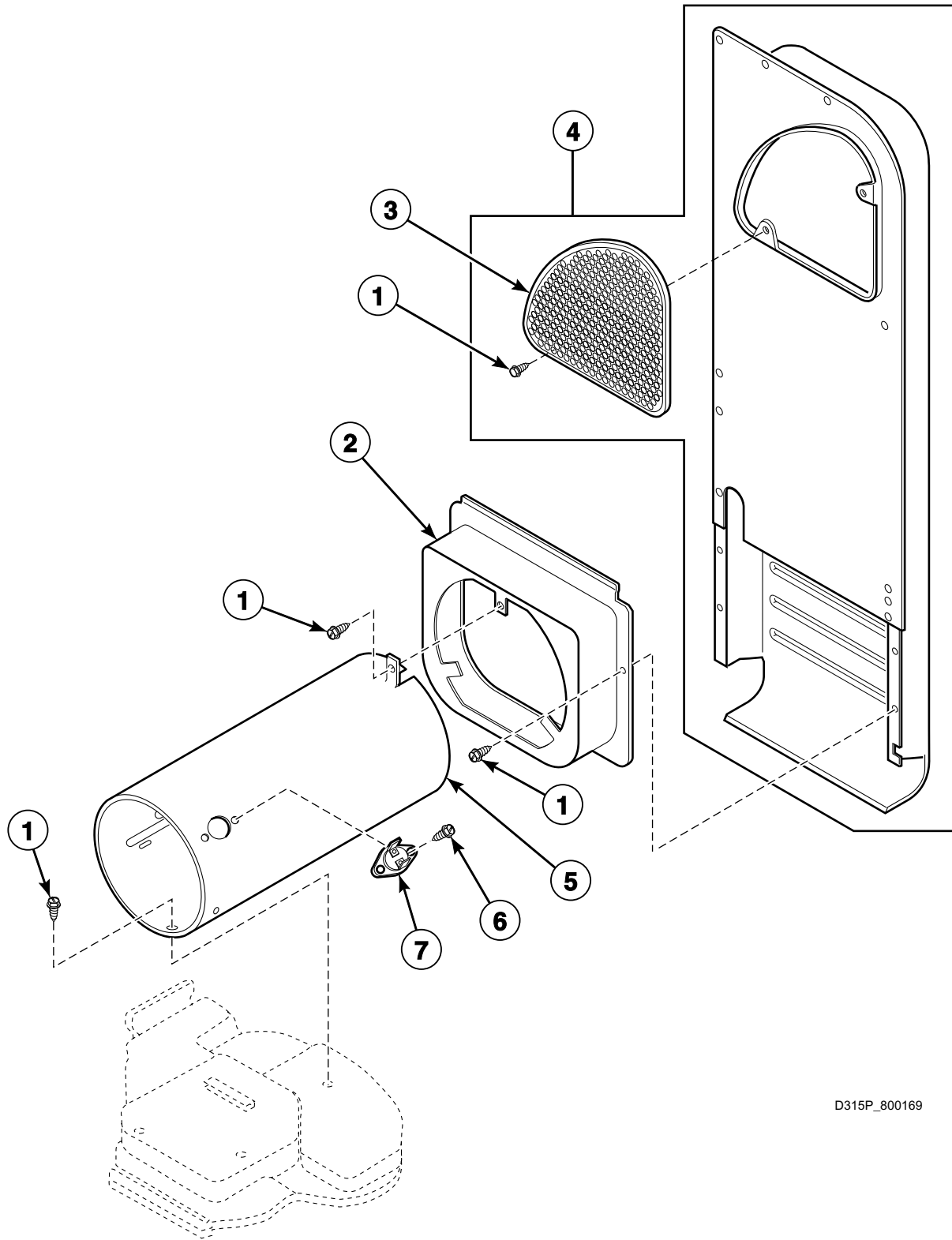
## Heater Duct and Element Assembly

REF	PART NO.	DESCRIPTION	COMMENTS
	490P3	Thermal Fuse Assembly	Includes items 5 and 6 and D518649 Thermal Fuse Assembly
1	D503688	Screw	
2	D500820	Outlet Cover	
3	D510705P	Heater Duct Assembly	Includes items 1 and 2
4	D518542	Thermal Fuse Assembly	
5	23222	Screw	
6	D510701	Limit Thermostat	
7	D510324P	Heater Assembly	Models HTE517*E2802, HTE517*H2802, HTE717*E2802, HTEB17*J2802, HTEF17*J2802, HTET17*H2802, HTEY17*H2802 and HTEZ17*H2802; 5000 Watt, 240 Volt/60 Hertz
	D510330P	Heater Assembly	Model HTEX17*H2902; 4250 Watt, 208 Volt/60 Hertz
	D510329P	Heater Assembly	All other models; 5350 Watt, 240 Volt/60 Hertz
	61928	Heater Kit Assembly	All other models; 4750 Watt, 208 Volt/60 Hertz

\* Add Letter To Designate Color. L - Almond Q - Bisque W - White

# Heater Duct Assembly

Gas Model Dryers



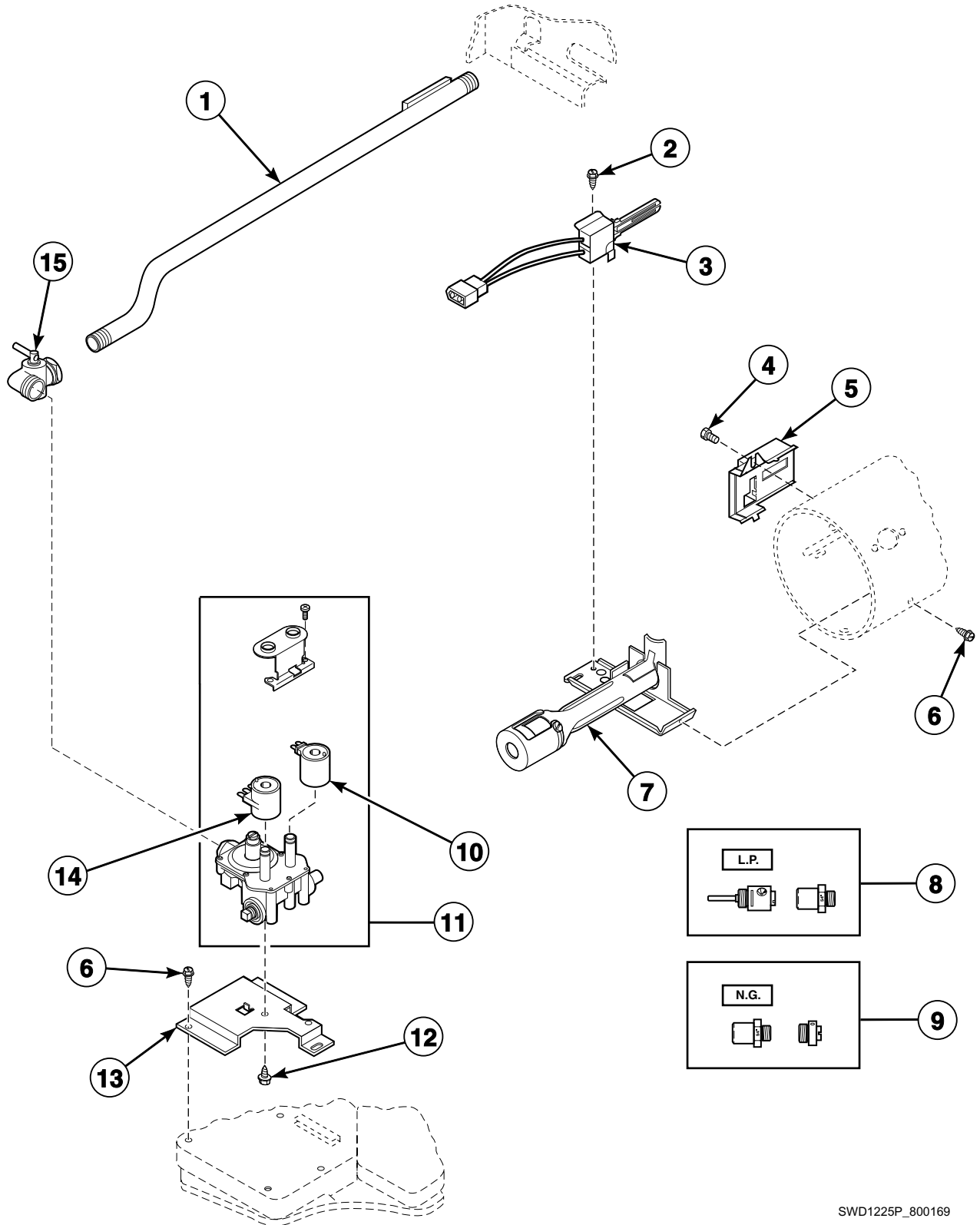
D315P\_800169

# Heater Duct Assembly

REF	PART NO.	DESCRIPTION	COMMENTS
1	D503688	Screw	
2	D510101	Heat Duct Shroud	
3	D500820	Outlet Cover	
4	D510705P	Heater Duct Assembly	Includes items 1 and 3
5	D510131	Combustion Duct	
6	51782	Screw	
7	D510702	Limit Thermostat	Color code "black"

# Gas Valve, Igniter and Gas Conversion Kits

Gas Model Dryers

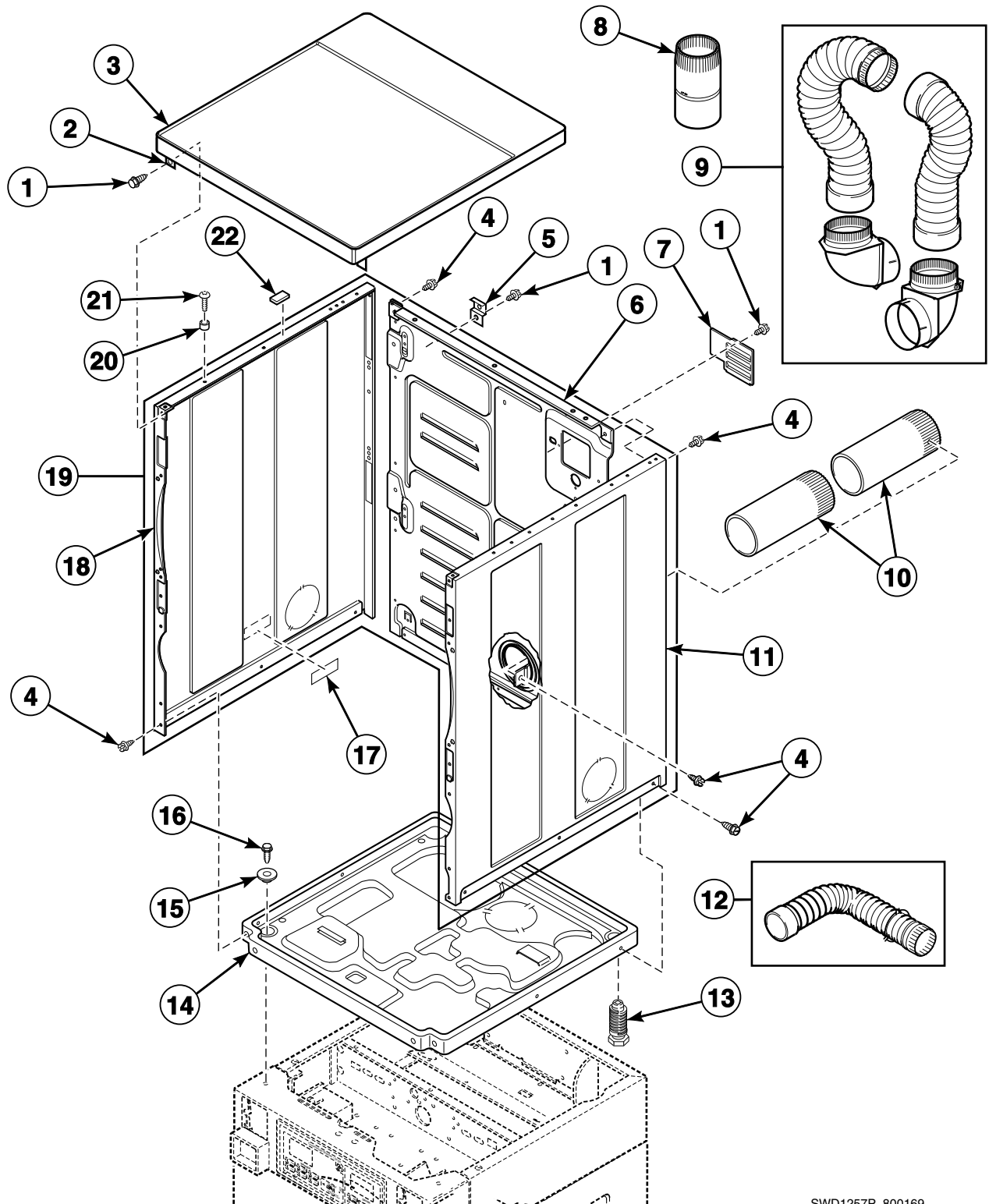


SWD1225P\_800169

## Gas Valve, Igniter and Gas Conversion Kits

REF	PART NO.	DESCRIPTION	COMMENTS
1	D510204	Lead-In Pipe Assembly	
2	51782	Screw	
3	D510184P	Igniter and Bracket Assembly	
4	23222	Screw	
5	D510213	Sensor	
6	D503688	Screw	
7	D510149P	Burner Assembly	
8	458P3	L.P. Conversion Kit	Used to convert dryers from Natural Gas (N.G.) or Mixed Gas to Liquid Petroleum Gas (L.P.); 25,000 Btu
9	459P3	N.G. Conversion Kit	Used to convert dryers from L.P. to N.G. or Mixed Gas: 25,000 Btu
10	58804B	Secondary Coil	
11	60353P	Gas Valve Assembly	60 Hertz: 25,000 Btu
12	56124	Screw	
13	D510128	Gas Valve Mounting Bracket	
14	58804A	Booster and Holding Coil	
15	D510205	Elbow Shut-Off Valve	

# Dryer Cabinet, Exhaust Duct and Base



SWD1257P\_800169

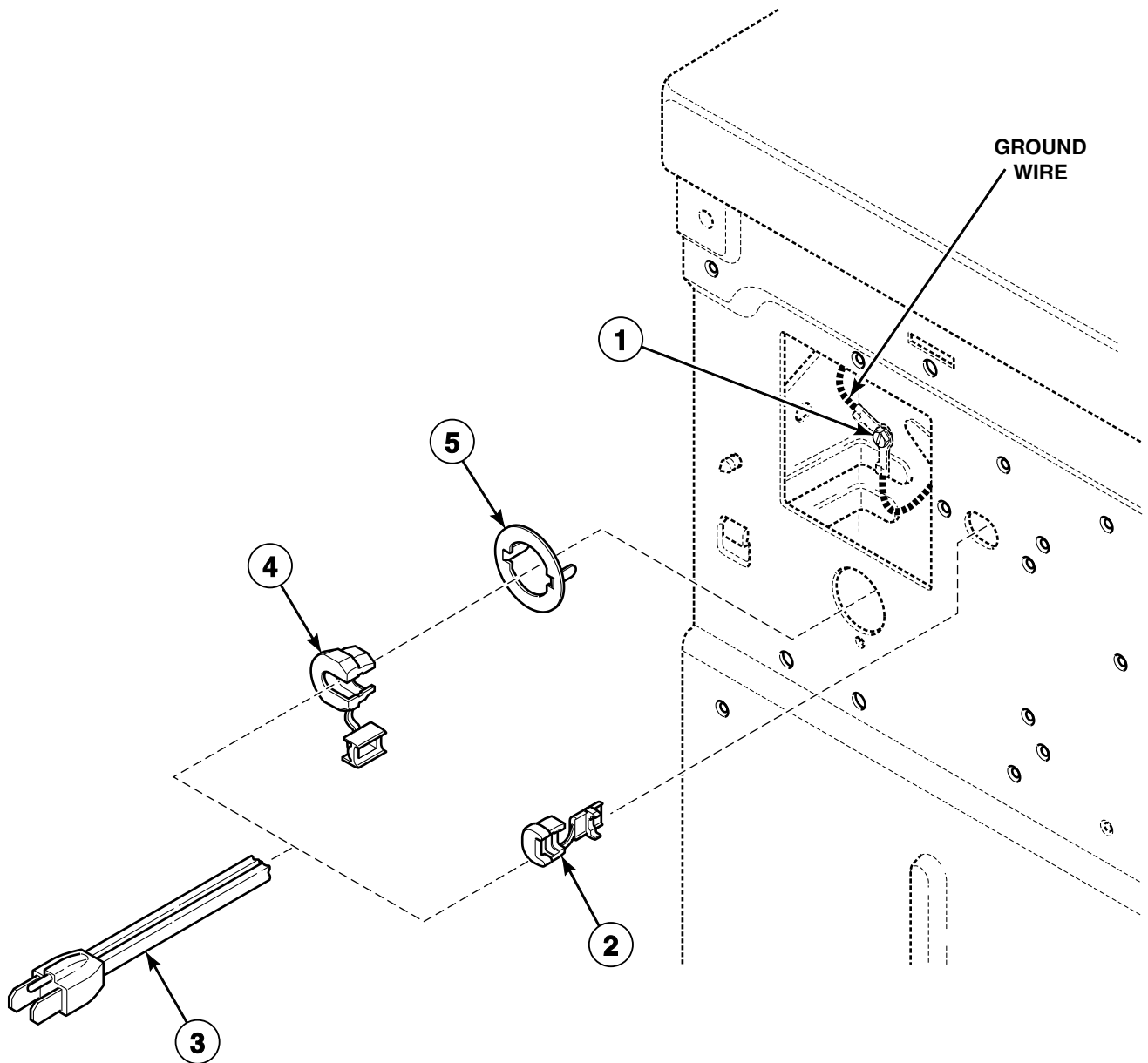


## Dryer Cabinet, Exhaust Duct and Base

REF	PART NO.	DESCRIPTION	COMMENTS
1	D503661	Screw	
2	D510146	Bracket	
3	D510032WP	Top Kit	White
	D510032LP	Top Kit	Almond
	D510032QP	Top Kit	Bisque
4	D503688	Screw	
5	D510136	Top Hinge	
6	D514632P	Cabinet Rear Panel	Rear
7	D510903	Access Panel Plate	
8	58786	Damper	
9	521P3	Flexible Venting Kit	
10	D516196	Exhaust Duct	2 required
11	D510002WP	Cabinet Side Panel	White; Right
	D510002LP	Cabinet Side Panel	Almond; Right
	D510002QP	Cabinet Side Panel	Bisque; Right
12	528P3	Directional Exhaust Kit	Used to vent dryer out the sides
13	D510135	Leveling Leg	
14	D514245	Dryer Base	
15	26509	Washer	
16	D502431	Screw	
17	61294	Fuse Notice Label	Electric models
18	D510001WP	Cabinet Side Panel	White; Left
	D510001LP	Cabinet Side Panel	Almond; Left
	D510001QP	Cabinet Side Panel	Bisque; Left
19	727P3W	Panel Kit	White; Replaces the 1 piece wrap-a-round cabinet; Includes items 6, 11, 18 and the necessary attaching hardware
	727P3L	Panel Kit	Almond; Replaces the 1 piece wrap-a-round cabinet; Includes items 6, 11, 18 and the necessary attaching hardware
	727P3Q	Panel Kit	Bisque; Replaces the 1 piece wrap-a-round cabinet; Includes items 6, 11, 18 and the necessary attaching hardware
20	56079	Panel Locator	
21	39733	Screw	
22	56128	Bumper Pad	

# Dryer Power Cord

Models HTE517\*E2802, HTE517\*H2802, HTE717\*E2802, HTEB17\*J2802, HTEB17\*J99L1, HTEF17\*J2802, HTET17\*H2802, HTEX17\*H2902, HTEY17\*H2802, HTEZ17\*H2802, HTG519\*E0902, HTG519\*H0902, HTG719\*E0902, HTGB19\*J0902, HTGB19\*J99L8, HTGF19\*J0902, HTGT19\*H, HTGT19\*H0902, HTGX19\*H0902, HTGY19\*H, HTGY19\*H0902, HTGZ19\*H, HTGZ19\*H0902, STG519\*E, STG519\*H, STG719\*E, STG719\*H, STGA19\*H, STGA19\*J, STGB19\*H, STGB19\*J, STGC19\*J, STGD19\*H, STGF19\*J, STGT19\*H, STGY19\*H and STGZ19\*H



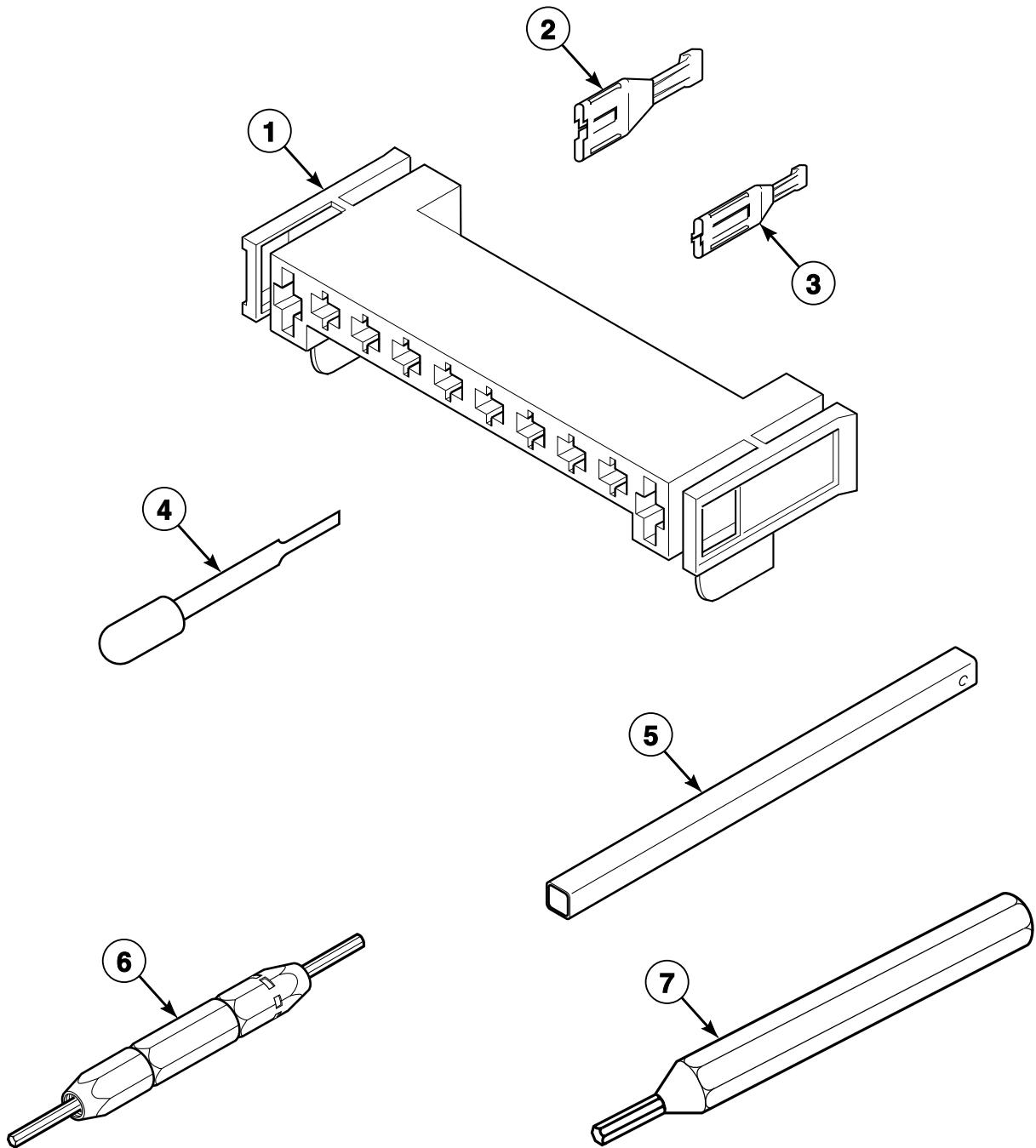
SWD1222P\_800169

# Dryer Power Cord

REF	PART NO.	DESCRIPTION	COMMENTS
1	20530	Screw	
2	38384	Strain Relief	Models HTGT19*H, HTGY19*H, HTGZ19*H, STG519*E, STG519*H, STG719*E, STG719*H, STGA19*J, STGB19*H, STGC19*J, STGD19*H, STGF19*J, STGT19*H, STGY19*H and STGZ19*H
3	59308	Lead-In Cord	Models HTGT19*H, HTGY19*H, HTGZ19*H, STG519*E, STG519*H, STG719*E, STG719*H, STGA19*J, STGB19*H, STGC19*J, STGD19*H, STGF19*J, STGT19*H, STGY19*H and STGZ19*H
	57397	Power Cord Assembly	Models HTE517*E2802, HTE517*H2802, HTE717*E2802, HTEB17*J2802, HTEB17*J99L1, HTEF17*J2802, HTET17*H2802, HTEX17*H2902, HTEY17*H2802 and HTEZ17*H2802
	58992	Power Cord Assembly	Models HTG519*E0902, HTG519*H0902, HTG719*E0902, HTGB19*J0902, HTGB19*J99L8, HTGF19*J0902, HTGT19*H0902, HTGX19*H0902, HTGY19*H0902 and HTGZ19*H0902
4	52151	Strain Relief	Models HTG519*E0902, HTG519*H0902, HTG719*E0902, HTGB19*J0902, HTGB19*J99L8, HTGF19*J0902, HTGT19*H0902, HTGX19*H0902, HTGY19*H0902 and HTGZ19*H0902
5	D502496	Strain Relief Adapter	Models HTG519*E0902, HTG519*H0902, HTG719*E0902, HTGB19*J0902, HTGB19*J99L8, HTGF19*J0902, HTGT19*H0902, HTGX19*H0902, HTGY19*H0902 and HTGZ19*H0902

\* Add Letter To Designate Color. L - Almond Q - Bisque W - White

# Dryer Motor Connection Block, Terminal Extractor Tools

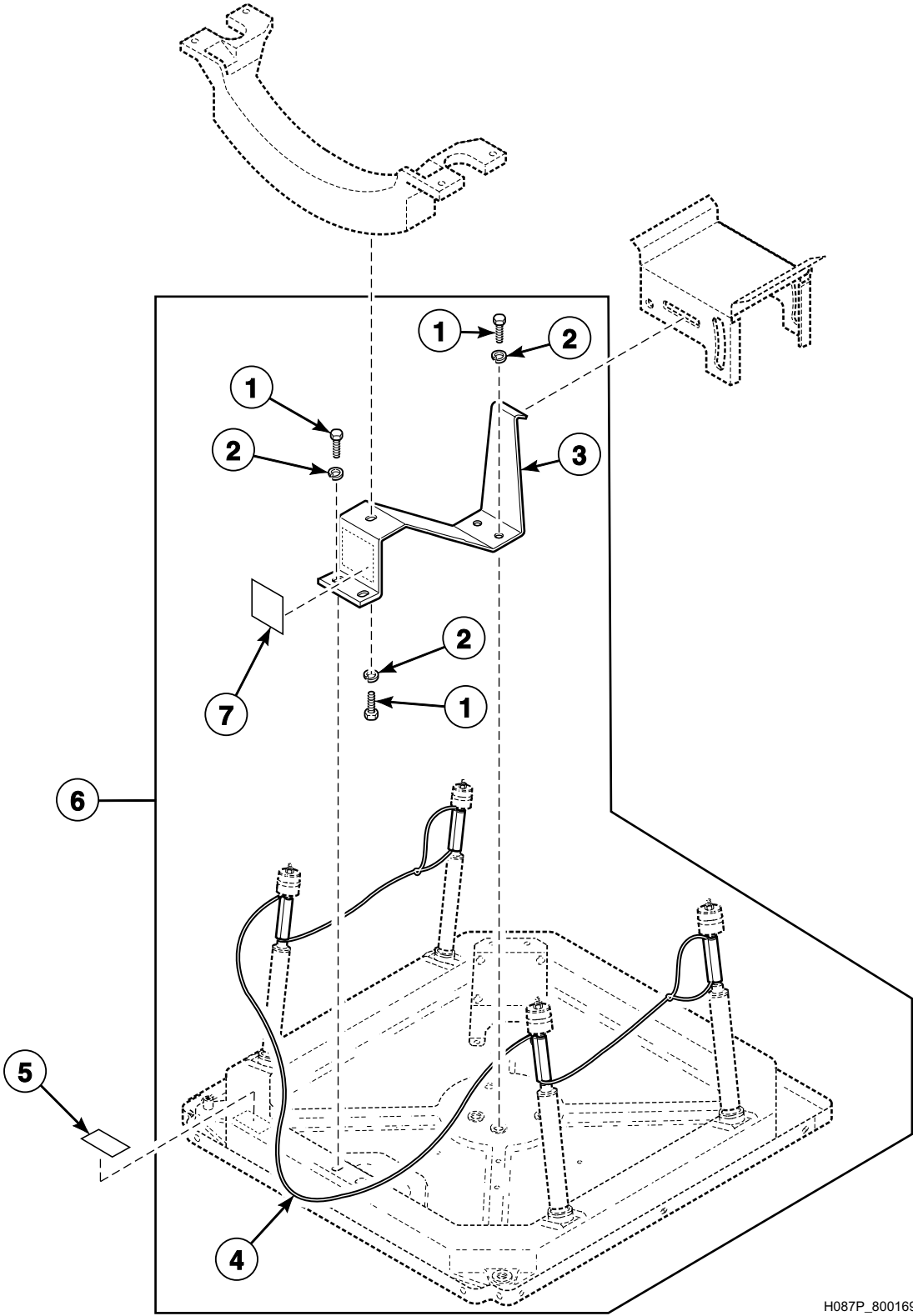


D319P\_800169

## Dryer Motor Connection Block, Terminal Extractor Tools

REF	PART NO.	DESCRIPTION	COMMENTS
1	D500338	10 Position Housing	Molex; 10 circuit
2	00255	Female Terminal	1/4 inch; For (1) 12 gauge wire
	00256	Female Terminal	1/4 inch; For (1) or (2) 18 gauge wires
	00222	Female Spade Terminal	1/4 inch
3	00188	Female Terminal	For 1 or 2 wire applications
4	283P4	Terminal Extractor Tool	For use on Molex connectors
5	310P4	Ratchet Extension Tool	1/4 inch; For coin drop installation
6	190P4	Extractor Tool	For use on electric dryer terminals
7	128P4	Extractor Tool	For use on gas dryer terminals

# Shipping Materials

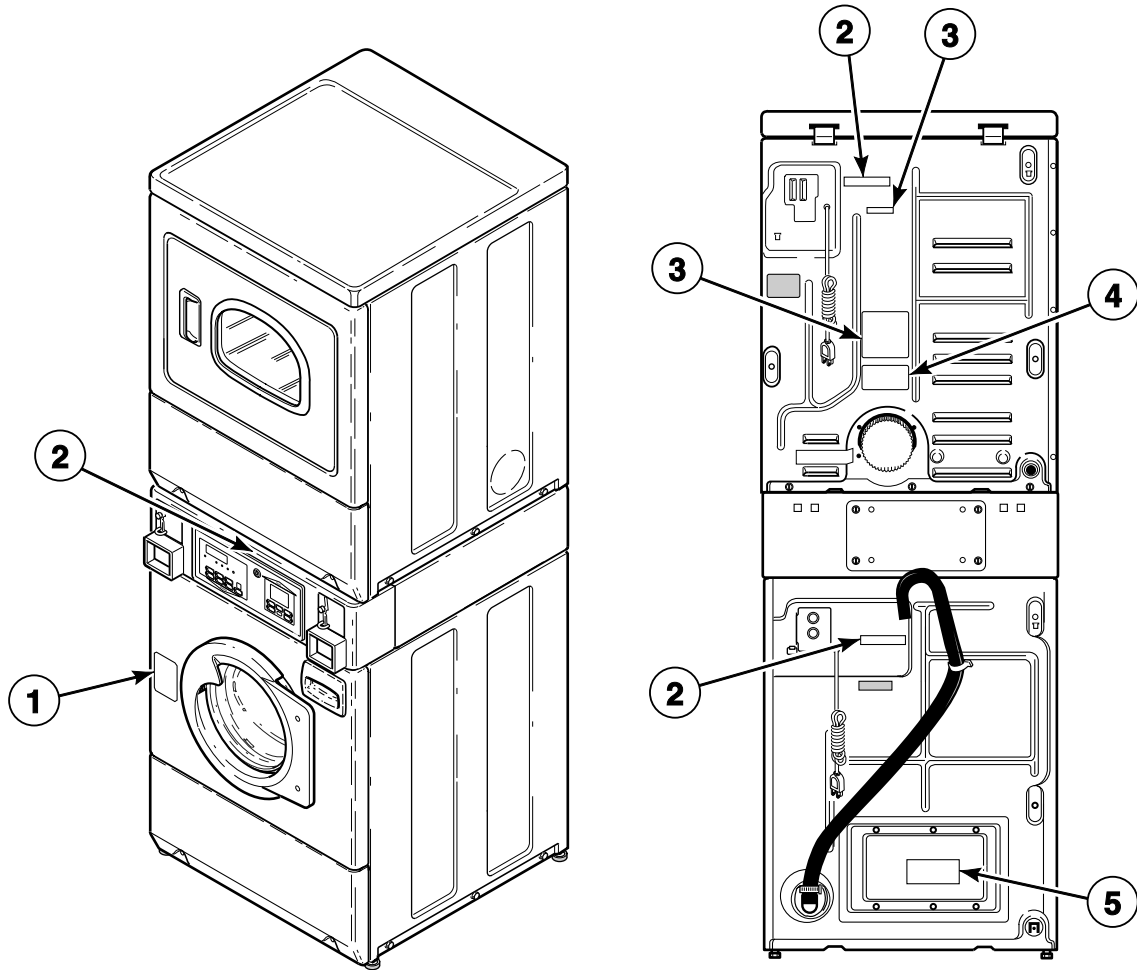


H087P\_800169

# Shipping Materials

REF	PART NO.	DESCRIPTION	COMMENTS
1	M400043	Screw	
2	M400014	Washer	
3	802890	Shipping Bracket	
4	802933P	Shipping Cord and Brace Assembly	
5	D500049	Warning Label	
6	930P3	Shipping Materials Kit	Includes items 1-4 and 7
7	807552	Shipping Bracket Label	

# Labels



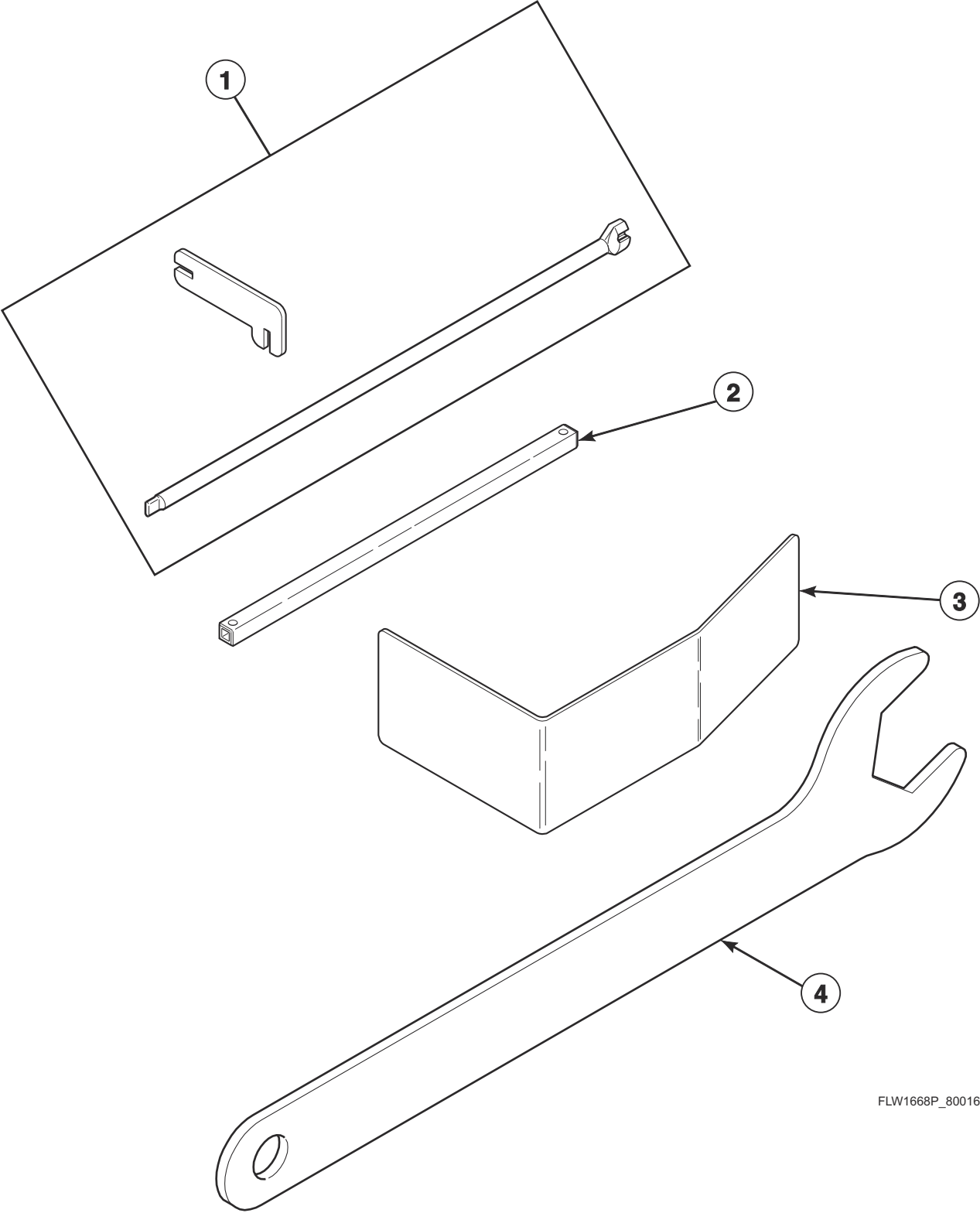
SWD1137P\_800169



# Labels

REF	PART NO.	DESCRIPTION	COMMENTS
1	685947	Door Locked Label	
2	D505281	Disconnect Power Warning Label	
3	D502791	Venting Instruction Label	
4	D500497	Exhaust Warning Label	
5	D500049	Warning Label	

# Special Tools

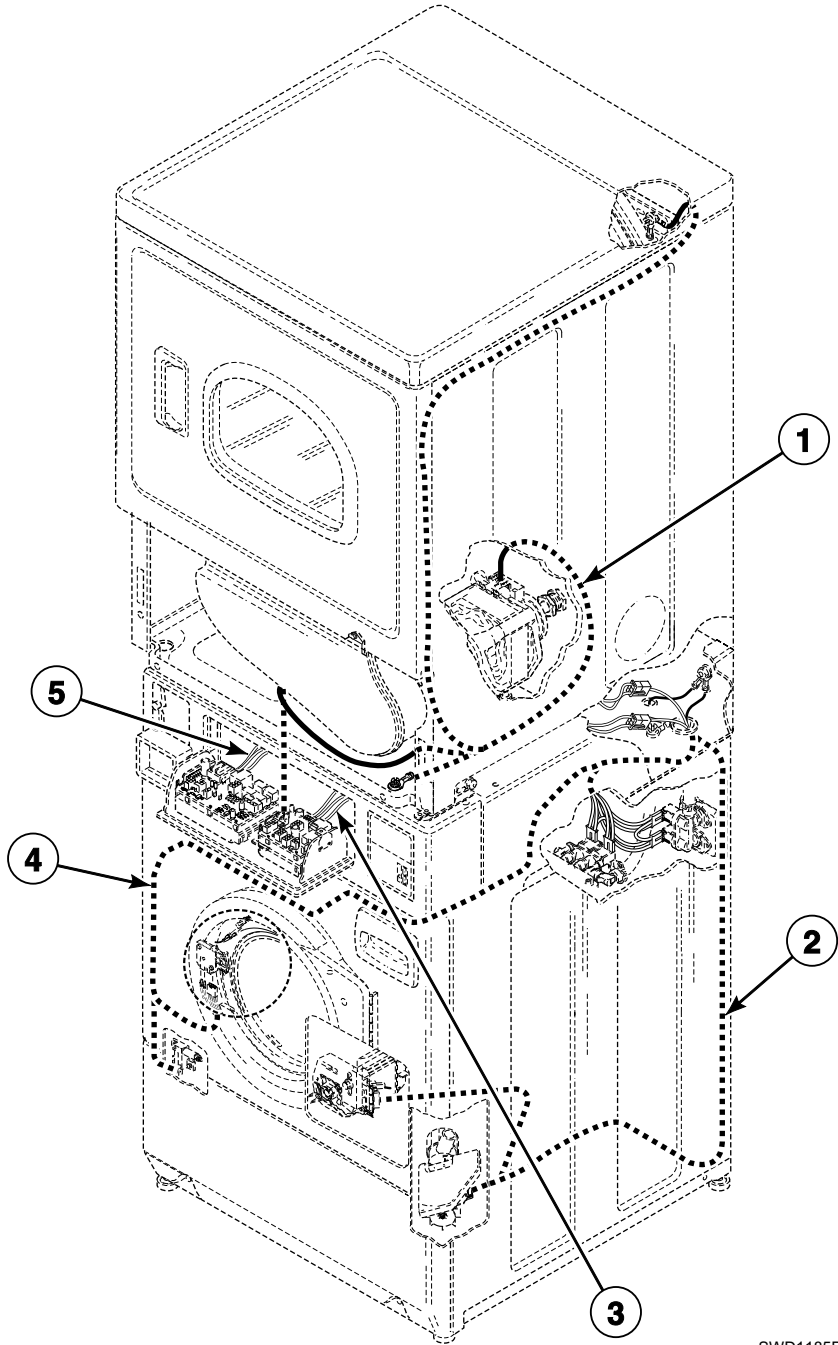


FLW1668P\_800169

# Special Tools

REF	PART NO.	DESCRIPTION	COMMENTS
1	CK096	Mounting Tool Kit	Use to install and remove electronic coin drop kit
2	310P4	Ratchet Extension Tool	1/4 inch; Use to install and remove non-electronic coin drops
3	318P4	Dispenser Drawer Tool	Use to remove dispenser drawer
4	392P4	Wrench	Use to adjust leveling legs

# Wire Harnesses and Wires



SWD1185P\_800169

## Wire Harnesses and Wires

REF	PART NO.	DESCRIPTION	COMMENTS
	45001	18 Gauge Wire	Black; Order wire by foot and terminals and connectors as required
	45380	12 Gauge Wire	Orange; Order wire by foot and terminals and connectors as required
	N/A	Wire Harness Assembly	Dryer power to washer control harness; Models HTE517*E2802, HTE517*H2802, HTE717*E2802, HTEB17*J2802, HTEB17*J99L1, HTEF17*J2802, HTET17*H2802, HTEX17*H2902, HTEY17*H2802, HTEZ17*H2802, HTG519*E0902, HTG519*H0902, HTG719*E0902, HTGB19*J0902, HTGB19*J99L8, HTGF19*J0902, HTGT19*H0902, HTGX19*H0902, HTGY19*H0902 and HTGZ19*H0902
1	D510434P	Wire Harness Assembly	Dryer; Models HTE517*E2802 and HTE717*E2802
	N/A	Wire Harness Assembly	Dryer; Models HTG519*E0902 and HTG719*E0902
	D510622	Wire Harness Assembly	Dryer; Models HTEB17*J2802, HTEF17*J2802, HTET17*H2802, HTEX17*H2902, HTEY17*H2802 and HTEZ17*H2802
	D510408P	Upper Wire Harness Assembly	Dryer; Models HTE517*H2802, HTEB17*J99L1, HTET17*H, HTEY17*H, HTEZ17*H, STE517*E, STE517*H, STE717*E, STE717*H, STEA17*H, STEA17*J, STEB17*H, STEB17*J, STEC17*J, STED17*H, STEF17*J, STEH17*J, STET17*H, STEY17*H and STEZ17*H
	D510409P	Wire Harness Assembly	Dryer; All other models
2	687579P	Harness Assembly	Washer
3	D510496P	Wire Harness	Security cabinet; Models HTEB17*J2802, HTEB17*J99L1, HTEF17*J2802, HTET17*H, HTET17*H2802, HTEX17*H2902, HTEY17*H, HTEY17*H2802, HTEZ17*H, HTEZ17*H2802, STEA17*H, STEA17*J, STEB17*J, STEC17*J, STEF17*J, STEH17*J, STET17*H, STEY17*H and STEZ17*H
	D510497P	Security Cabinet Wire Harness Assembly	Models HTGB19*J0902, HTGB19*J99L8, HTGF19*J0902, HTGT19*H, HTGT19*H0902, HTGX19*H0902, HTGY19*H, HTGY19*H0902, HTGZ19*H, HTGZ19*H0902, STGA19*H, STGA19*J, STGB19*J, STGC19*J, STGF19*J, STGT19*H, STGY19*H and STGZ19*H
	D501378P	Security Cabinet Harness Assembly	Dryer; Models STE517*E, STE517*H, STE717*E, STEB17*H and STED17*H
	D501374P	Security Cabinet Harness Assembly	Dryer; Models STG519*E, STG519*H, STG719*E, STGB19*H and STGD19*H
	4	687574P	Base Wire Harness
5	N/A	Control Harness	Models HTE517*E2802, HTE517*H2802, HTE717*E2802, HTG519*E0902, HTG519*H0902, HTG719*E0902, STE717*E and STG719*E
	687585P	Wire Harness Assembly	Washer control; Models STE517*E, STE517*H, STG519*E and STG519*H
	800123P	Control Wire Harness Assembly	All other models

\* Add Letter To Designate Color. L - Almond Q - Bisque W - White

N/A = Part no longer available

**NOTE: Individual wires are not available separately. Order complete harness, or order wire by the foot. When applying terminals to wires, it is recommended that the terminals be soldered to the wires.**



# Parts Index

## A

Access Panel	
D510069LP .....	19, 21, 41
Access Panel Assembly	
D514250Q .....	19, 21, 41
D514250WP .....	19, 21, 41
Access Panel Plate	
D510903 .....	55
Adhesive	
D511637P .....	45, 47
Air Duct Assembly	
D518432 .....	45
Anti-Seize Compound	
27604P .....	29
Audit Switch Bracket	
800379 .....	9
800380 .....	9

## B

Backflow Preventer	
34500 .....	23, 25
800310 .....	33
Ballast Weight	
800205 .....	27
Base Assembly	
803876 .....	35
Base Shock Absorber Kit	
800623P .....	27
Base Wire Harness	
687574P .....	67
Bearing Housing Kit	
800428P .....	29
Blower and Fan Kit	
D510717P .....	43
Blower Fan Assembly	
D510139P .....	43
Blower Housing and Cover Kit	
D511969P .....	43
Blower Housing Seal	
D510238P .....	43
Bolt	
D512505 .....	15
Booster and Holding Coil	
58804A .....	53
Brace Kit	
918P3 .....	35
Bracket	
D510146 .....	55
Bumper	
800233 .....	19
Bumper Pad	
56128 .....	35, 55
Burner Assembly	
D510149P .....	53

## C

Cabinet Brace	
801491 .....	35
801492 .....	35
Cabinet Brace Kit	
784P3 .....	35
Cabinet Panel Kit	
800004LP .....	35
800004QP .....	35
800004WP .....	35
Cabinet Rear Panel	
D514632P .....	55
Cabinet Side Panel	
D510001LP .....	55
D510001QP .....	55
D510001WP .....	55
D510002LP .....	55
D510002QP .....	55
D510002WP .....	55
Cap	
801746 .....	23
Card Insert Overlay	
D511544 .....	17
D511548 .....	17
Card Reader	
D512473 .....	15
Card Reader and Bracket Assembly	
D510068P .....	17
Card Reader Instruction Overlay	
38192 .....	15
Card Reader Kit	
875P3 .....	15
Card Reader Overlay	
800230 .....	17
Card Reader Wire Harness Assembly	
38191 .....	15
686581 .....	15
800125P .....	17
Caution Label	
D500253 .....	41
Central Pay Harness	
D511478 .....	7
Clamp Ring	
800312 .....	27
Clip	
201572 .....	13
Coin Drop	
70441601P .....	11
Coin Drop Assembly	
38463 .....	11
70441602 .....	11
Coin Drop Wire Harness	
201104 .....	13
Coin Identification Paper	
38725 .....	11, 13
Combustion Duct	
D510131 .....	51
Communication Board	
210095P .....	9

N/A items do not appear in index.

Communication Connector 210099 .....	9	Door and Liner Assembly D511636LP .....	39
Control Assembly D511867P .....	7	D511636QP .....	39
800303P .....	7	Door Assembly D516737W .....	39
803146P .....	7	800436LP .....	21
Control Kit D505905P .....	7	800436QP .....	21
M414050P .....	7	800436WP .....	21
800772P .....	7	Door Bezel 800341L .....	21
Control Panel and Bracket Assembly 800034W .....	5	800341Q .....	21
800411W .....	5	800341W .....	21
Control Shield 801372 .....	9	Door Catch Assembly D510177 .....	41
Control Wire Harness Assembly 800123P .....	67	Door Glass 800343P .....	21
Cylinder Assembly D510265P .....	45	Door Handle 685438 .....	19
Cylinder Baffle D514250WP .....	45	800342 .....	21
Cylinder Belt D511255P .....	43	Door Handle Wedge D510129W .....	39
Cylinder Glide D513710 .....	45	Door Hinge 802934 .....	21
Cylinder Glide Bracket D510145 .....	45	Door Hinge Assembly 685460 .....	19
Cylinder Roller D510708P .....	47	Door Latch/Switch Assembly 685429 .....	19, 21
Cylinder Roller Bracket D510100 .....	47	Door Liner Grill D503870W .....	39
Cylinder Seal Assembly D510207P .....	45, 47	Door Locked Label 685947 .....	63
<hr/>		Door Pull and Wedge Kit D510103LP .....	39
<b>D</b>		D510103QP .....	39
Damper 58786 .....	55	D510103WP .....	39
Detergent Cover 800899 .....	23	Door Seal and Hose Assembly 800232 .....	19
Diagnostic Wire Harness Assembly 800374 .....	7	800232P .....	23
Directional Exhaust Kit 528P3 .....	55	Door Seal and Hose Assembly Kit 800232P .....	21
Disconnect Power Warning Label D505281 .....	63	801784P .....	19, 21, 23
Dispenser 685756P .....	23	Door Seal Clamp 685743P .....	19, 21
Dispenser Assembly 801476P .....	23	Door Strike D510181 .....	39
Dispenser Drawer 685757P .....	23	Door Strike Mount D510127 .....	39
Dispenser Drawer Front 685715L .....	23	Door Switch 800211 .....	19, 21
685715QP .....	23	Door Switch Bracket 38087 .....	9
685715WP .....	23	Drain Hose 27154 .....	33
Dispenser Drawer Tool 318P4 .....	65	Drain Hose Elbow 35766 .....	33
Dispenser Plate 801024 .....	23	Drain Pump Kit 888P3 .....	33
Dispenser-to-Tub Hose 800331 .....	23	Drive Belt 800319P .....	31
		Driven Pulley 800866 .....	29
		Dryer Base D514245 .....	55

N/A items do not appear in index.



Dryer Door	
D510082LP .....	39
D510082QP .....	39
D510082WP .....	39
Dryer Door Window	
D503982P .....	39
Dual Overlay	
39073 .....	11

## E

Elbow Shut-Off Valve	
D510205 .....	53
Electronic Coin Drop Kit	
CK115 .....	13
Exhaust Duct	
D516196 .....	55
Exhaust Warning Label	
D500497 .....	63
Expansion Clip	
70030501 .....	31
Extension Spring	
800346 .....	19, 21
Extractor Tool	
128P4 .....	59
190P4 .....	59

## F

Felt Pad	
D510189 .....	45
Female Spade Terminal	
00222 .....	59
Female Terminal	
00188 .....	59
00255 .....	59
00256 .....	59
Fill Hose	
F200116 .....	25
20617 .....	25
20618 .....	25
Flexible Venting Kit	
521P3 .....	55
Front Bulkhead Assembly	
D510266P .....	45
Front Panel	
D510066LP .....	41
D510066QP .....	41
D510066WP .....	41
800336LP .....	21
800336QP .....	21
800336WP .....	21
Front Panel Assembly	
800435LP .....	19
800435QP .....	19
800435WP .....	19
Front Panel Pad	
36204 .....	19, 21
Front Panel Seal	
D511056 .....	41
Fuse	
F350138 .....	9

Fuse Notice Label	
61294 .....	55

## G

Gas Valve Assembly	
60353P .....	53
Gas Valve Mounting Bracket	
D510128 .....	53
Gasket	
802427 .....	33
Grommet	
29175 .....	27
802218 .....	33
Grounding Clip	
00161 .....	27

## H

Hardware Kit	
838P3 .....	29
Harness	
D512501 .....	15
D512503 .....	15
Harness Assembly	
687579P .....	67
802904P .....	11
802905 .....	11, 13
Harness Strap	
55881 .....	19, 21, 23, 37
Heat Duct Shroud	
D510101 .....	51
Heater Assembly	
D510324P .....	49
D510329P .....	49
D510330P .....	49
Heater Duct Assembly	
D510705P .....	49, 51
Heater Kit Assembly	
61928 .....	49
Hinge	
D511036 .....	39
Hinge Hole Plug	
D510186 .....	41
Hinge Plate	
685470 .....	19
802412 .....	21
Hold-Down Clip	
800906 .....	21
Hose Clamp	
F200206 .....	23, 33
20211 .....	33
20391 .....	33
36802 .....	33
39282 .....	27
685725 .....	23
802164 .....	19, 21, 23, 25
Hose Clip	
36985 .....	9, 37
800553 .....	29
Hose Mounting Plate	
800552 .....	29

N/A items do not appear in index.

Housing, 10 Position D500338 .....	59
---------------------------------------	----

## I

Idler Lever D516310 .....	43
Idler Lever and Wheel Assembly D516792 .....	43
Idler Spring D510185 .....	43
Idler Wheel and Bearing Assembly D510142P .....	43
Igniter and Bracket Assembly D510184P .....	53
Inner Basket Assembly 800429P .....	29
803007P .....	29
Inner Door Bezel 800340 .....	21
Insert 685716 .....	23

## K

Key 54612 .....	5
Keypad Protector 800373 .....	5

## L

Lead-In Cord 34458 .....	37
59308 .....	57
Lead-In Pipe Assembly D510204 .....	53
Left Hand Thread Label 685928 .....	35
Leveling Leg D510135 .....	55
34319 .....	35
800014 .....	35
Leveling Leg Spacer 800015 .....	35
Lid Assembly 801206P .....	33
802426P .....	33
Light 32464 .....	5
Limit Thermostat D510701 .....	49
D510702 .....	51
Liner and Seal Assembly D516509 .....	39
Liner Door Seal D510147P .....	39
Lint Filter D503980W .....	45

Lock Cam 27261 .....	5
Lock Kit 27260P .....	5
Locking Catch 685430 .....	19, 21
L.P. Conversion Kit 458P3 .....	53

## M

Membrane Switch D510036P .....	7
Mixing Valve 802220P .....	25
Mixing Valve Plate 800323 .....	25
Mixing Valve Screen 802926 .....	25
Motor and Pulley Assembly D511629P .....	43
Motor Assembly 685639P .....	31
Motor Brush Kit 738P3 .....	31
Motor Control Assembly 687539P .....	9
Motor Hub Ring Kit 590P3 .....	43
Motor Mount D518517 .....	43
Motor Mount Clamp D510180 .....	43
Motor Mount Rod 801062 .....	31
Motor Pulley D500011 .....	43
Mounting Tool Kit CK096 .....	65
Multiplier Assembly 38571 .....	9

## N

Network Board 210157P .....	9
Network Board Assembly 210016P .....	9
Network Cable Wire Harness Assembly 800216 .....	9
Network Wire Harness Assembly 800217 .....	9
Nozzle Cap 801112 .....	33
Nut F430218 .....	27
03673 .....	37
201216 .....	13
20274 .....	35
21899 .....	35
23951 .....	19, 21
29786 .....	11

N/A items do not appear in index.

36020 .....	21
52566 .....	19, 43
56156 .....	43, 47
685846 .....	19, 21
70054 .....	17
800452 .....	27, 29
803017 .....	29
N.G. Conversion Kit 459P3 .....	53

## O

Opto Coupler 200674P .....	11
O-Ring 801207 .....	33
802429P .....	33
802487 .....	33
Outer Tub Assembly 801081P .....	27
Outlet Cover D500820 .....	49, 51
Out-of-Balance Switch Assembly Kit 806512 .....	27
Overlay D505617 .....	5
201091 .....	13
800026 .....	5
800027 .....	5
800894 .....	5
801051 .....	5
801054 .....	5

## P

Panel Kit 727P3L .....	55
727P3Q .....	55
727P3W .....	55
Panel Locator 56079 .....	11, 15, 17, 19, 21, 35, 41, 55
PC Board Standoff 210098 .....	9
Pop Rivet 685847 .....	29
Power Cord Assembly 57397 .....	57
58992 .....	57
Power Supply D512496 .....	15
D512498 .....	15
Pressure Bulb Assembly 205241 .....	27
Pressure Switch 800468P .....	9
Programming Card D512499P .....	15
Pump Bracket 802219 .....	33
Pump Housing 801208 .....	33
802428 .....	33

Pump Housing Assembly 801209 .....	33
802434P .....	33
Pump Mount 802432 .....	33
Pump Mount Bracket 802626 .....	33
Pump Shield 38067 .....	33
Pump-to-Dispenser Hose Assembly 800424 .....	33
Pump-to-Elbow Hose 685737 .....	33

## R

Ratchet Extension Tool 310P4 .....	59, 65
Rear Access Panel 800011 .....	35
Rear Bulkhead Assembly D511082P .....	47
Rear Panel 800010P .....	35
Resistor 210100 .....	9
Retainer Clip 36014 .....	33
Retaining Ring 23748 .....	43, 47
Rubber Foot 34318 .....	35

## S

Screw D500226 .....	39
D500824 .....	43
D501086 .....	25
D501285 .....	33, 45, 47
D501524 .....	5, 9, 15
D502431 .....	55
D503661 .....	9, 11, 15, 17, 19, 21, 25, 27, 31, 33, 35, 55
D503688 .....	9, 11, 15, 17, 41, 43, 45, 47, 49, 51, 53, 55
D505295 .....	39, 45
D505870 .....	39
M400043 .....	29, 61
M400056 .....	31
M405188 .....	35
M411072 .....	31
02916 .....	19
20530 .....	57
23008 .....	21
23222 .....	43, 49, 53
31260 .....	43
31645 .....	35
33562 .....	19, 41
36048 .....	11, 15, 17
38096 .....	33
39733 .....	11, 15, 17, 19, 21, 35, 41, 55
51782 .....	51, 53
52864 .....	45
52909 .....	33

N/A items do not appear in index.

56124	53
61199	47
62588	45
62853	19, 41
685831	29
685837	37
685862	19
800461	27
800462	27, 29
800528	21
800548	19, 21, 23
801001	23
801019	21
801993	19, 21
802430	33
802431	33
Sealant	
27615P	33
Secondary Coil	
58804B	53
Security Cabinet Front Assembly	
D503428W	15
D505227W	15, 17
D511208L	17
D511208Q	17
D518303W	17
D518305WP	11
Security Cabinet Harness Assembly	
D501374P	67
D501378P	67
Security Cabinet Rear Service Panel	
800177	9
Security Cabinet Wire Harness Assembly	
D510497P	67
Security Cabinet Wrapper Assembly	
800231Q	11, 17
801235W	11, 17
Sensor	
D510213	53
Shaft	
56461P	43, 47
Shipping Bracket	
802890	61
Shipping Bracket Label	
807552	61
Shipping Cord and Brace Assembly	
802933P	61
Shipping Materials Kit	
930P3	61
Side Panel Kit	
800005QP	35
806492	35
Single Overlay	
38717	11
Snap Bushing	
D503235	9
M402542	9
Speed Clip	
28835	41
Standpipe Strap	
33489	33
Strain Relief	
38384	37, 57
52151	57

Strain Relief Adapter	
D502496	57
Switch	
D512973	9, 41
Switch Mounting Bracket	
800663	27

---

## T

Tension Rod Assembly	
800666	29
Terminal Block Assembly	
D510190P	47
Terminal Block Shield	
D510237	47
Terminal Extractor Tool	
283P4	59
Thermal Fuse Assembly	
D518542	49
490P3	49
Thermistor Assembly	
D510523	43
Thermostat Opening Cover	
61203	35
Top Hinge	
D510136	55
Top Kit	
D510032LP	55
D510032QP	55
D510032WP	55
Transformer	
201375P	13
210018P	9
686513P	31
803527P	9
Trunnion Shaft and Hardware Kit	
800749P	29
Tub Front Assembly	
800430	27
Tub Front Seal	
800432P	27, 29
Tub Shock Absorber Kit	
800622P	27
Tubing	
800648P	27
Tub-to-Pump Hose	
800317	33

---

## U

Upper Wire Harness Assembly	
D510408P	67

---

## V

Valve Kit	
685766P	23
Valve-to-Dispenser Inlet Hose	
801464	23, 25

N/A items do not appear in index.

Venting Instruction Label	
D502791 .....	63

---

## W

Warning Label	
D500049 .....	27, 61, 63
Warning/Caution Label	
D500281 .....	41
Washer	
D504082 .....	47
M400014 .....	31, 61
M400017 .....	19
M400080 .....	31
M400081 .....	27
M403958 .....	29
02834 .....	31
03815 .....	37
20290 .....	25
26509 .....	11, 15, 17, 55
35917 .....	19
52549 .....	43, 47
800457 .....	27, 29
800465 .....	33
802254 .....	25
803615 .....	25
807679 .....	29
Water Hose	
F200116 .....	25
Window Trim	
D503981L .....	39
D503981Q .....	39
D503981W .....	39
Wire Clamp Ring	
800438 .....	19, 21
Wire Clip	
D504034 .....	37
687500 .....	23, 37
70366201 .....	37
Wire Guard	
201595P .....	11
Wire Harness	
D510496P .....	67
Wire Harness Assembly	
D510409P .....	67
D510434P .....	67
D510621P .....	47
D510622 .....	47, 67
687585P .....	67
Wire Tie	
38663 .....	33, 37
Wire, 12 Gauge	
45380 .....	67
Wire, 18 Gauge	
45001 .....	67
Wrench	
392P4 .....	65

---

