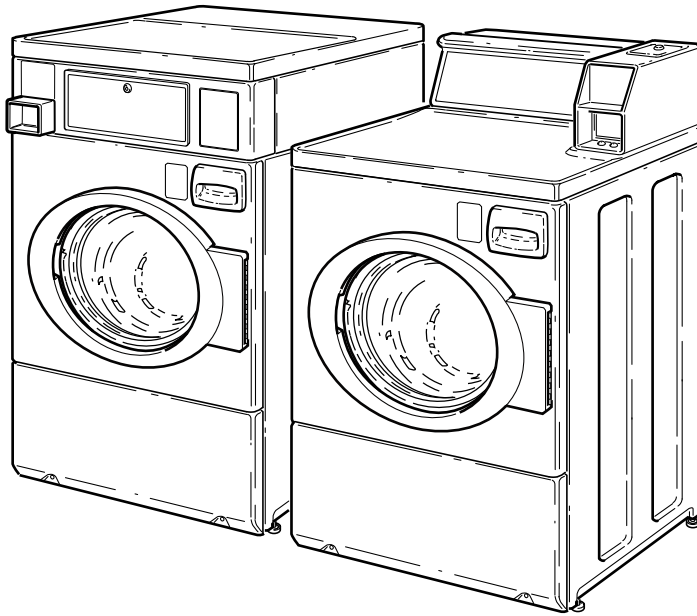


# Commercial Frontload Washers

Refer to Page 5 for Model Numbers



FLW1535C\_802739



# Table of Contents

Title	Page
Parts Ordering Information.....	3
Serial Plate Location .....	3
Model Identification .....	5
Control Panel and Controls (Drawing 1 of 2) .....	6
Control Panel and Controls (Drawing 2 of 2) .....	8
Top Assembly (Drawing 1 of 2).....	10
Top Assembly (Drawing 2 of 2).....	12
Control Cabinet Controls (Drawing 1 of 2) .....	14
Control Cabinet Controls (Drawing 2 of 2) .....	16
Control Cabinet and Controls.....	18
Electrical Access Panel, Filters and Terminal Block .....	20
Wrapper Assembly.....	22
Non-Electronic Coin Drop .....	24
Electronic Coin Drop .....	26
Wrapper Assembly and Card Reader .....	28
Non-Electronic Coin Drop, Meter Case and Service Door .....	30
Cabinet Top .....	32
Meter Case, Service Door and Cabinet Top .....	34
Coin Slide Extension Through Serial No. 1211 .....	36
Coin Slide Extension Starting Serial No. 1211 .....	38
Control Hood Security Kit.....	40
Control Panel, Control Hood and Controls (Drawing 1 of 3) .....	42
Control Panel, Control Hood and Controls (Drawing 2 of 3) .....	44
Control Panel, Control Hood and Controls (Drawing 3 of 3) .....	46
Door Assembly.....	48
Front Panel and Door Seal .....	50
Dispenser Assembly and Supply Injection Hoses.....	52
Dispenser Assembly .....	54
Mixing Valve, Inlet Hose and Dispenser Hose.....	56
Outer Tub, Clamp Ring and Shock Absorbers (Drawing 1 of 2) .....	58
Outer Tub, Clamp Ring and Shock Absorbers (Drawing 2 of 2) .....	60
Outer Tub, Clamp Ring, Shock Absorbers and Heating Element .....	62
Inner Basket, Trunnion, Bearing Housing and Pulley .....	64
Motor and Belt.....	66
Drain Hoses and Valve .....	68
Hoses and Pump .....	70
Base, Side Panels and Rear Panel.....	72
Junction Box .....	74
Junction Box and Power Cord .....	76
Shipping Materials .....	78
Wire Ties, Harness Clips and Lead-In Cord.....	80

© Copyright 2025, Alliance Laundry Systems LLC

All rights reserved. No part of the contents of this book may be reproduced or transmitted in any form or by any means without the expressed written consent of the publisher.

Special Tools .....	82
Labels .....	84
Wire Harnesses and Wires (Drawing 1 of 2).....	86
Wire Harnesses and Wires (Drawing 2 of 2).....	88
Parts Index.....	91

## Parts Ordering Information

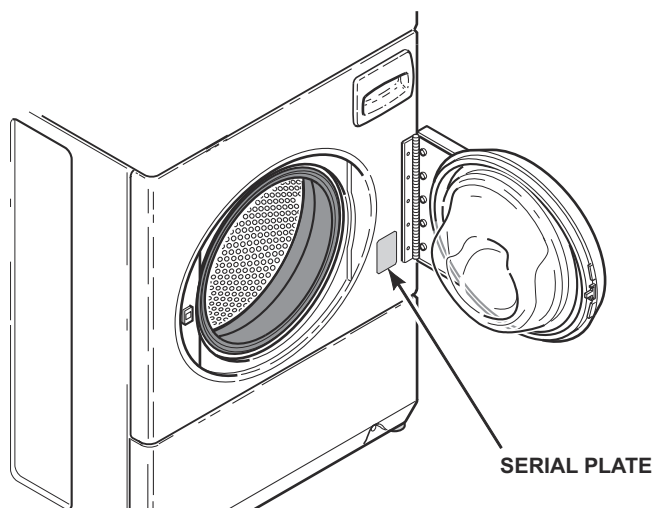
If literature or replacement parts are required, contact the source from whom the machine was purchased or contact Alliance Laundry Systems at (920) 748-3950 for the name and address of the nearest authorized parts distributor.

For technical assistance, call the number listed below:

(920) 748-3121 Ripon, Wisconsin

## Serial Plate Location

When calling or writing about your product, be sure to mention model and serial numbers. Model and serial numbers are located on serial plate(s) as shown.



FLW2123N\_802739



## Model Identification

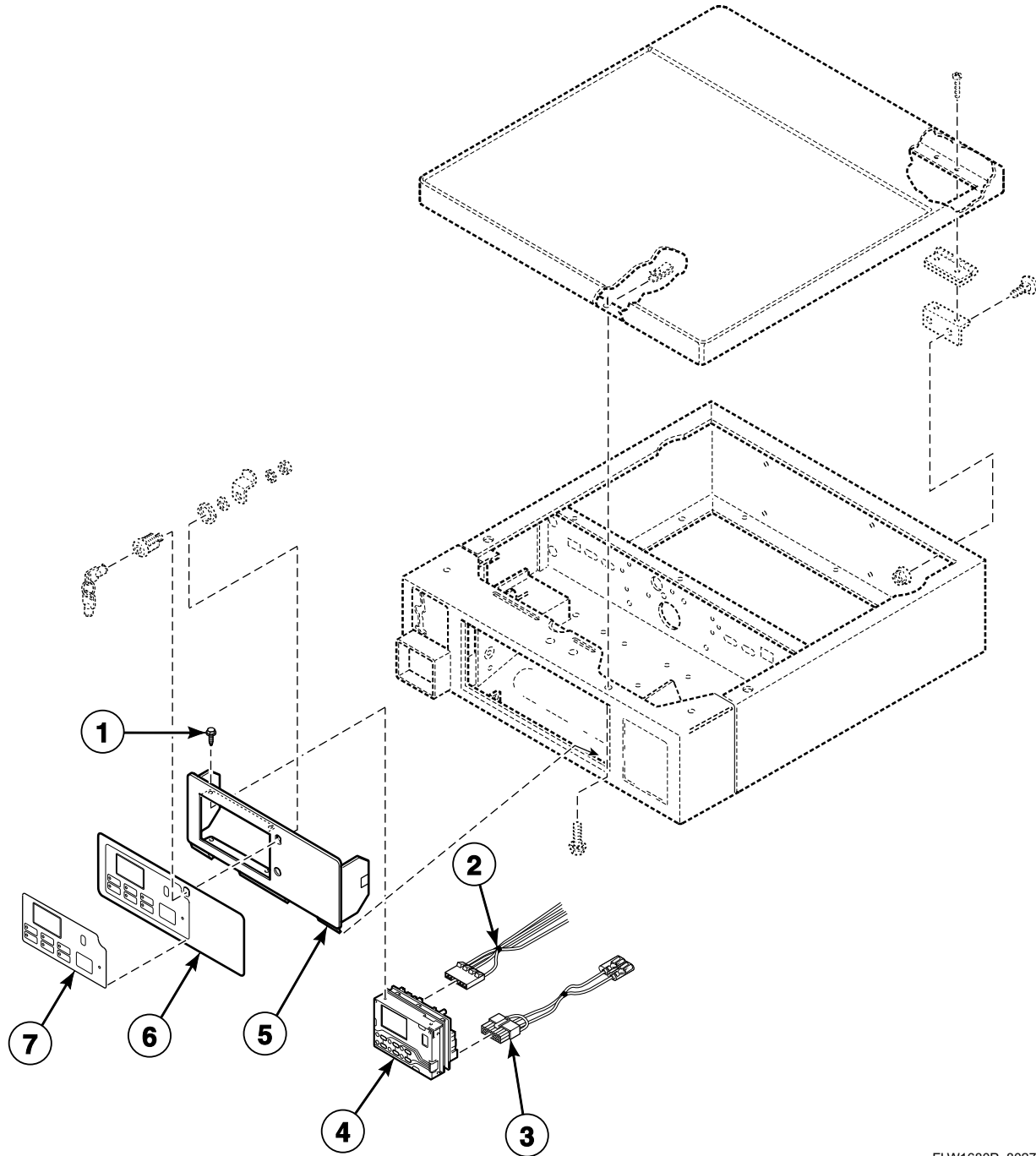
Information in this manual is applicable to these washer models:

BFNBCFSG111TN01	HFNCXFSP111CW01	SFNBYFSG112TW01
BFNBCFSG111TW01	HFNCXRSP111CW01	SFNBYFSP112TW01
BFNBCFSG112TN01	HFNSXRSP112CW01	SFNBYRSP112TW01
BFNBCFSG112TW01	HWFB71*N	SFNCCFSP111TW01
BFNBCFSP112TW01	HWFB71*N1102	SFNCCRSP111TW01
BFNBEFSP111CN01	HWFR71*N1102	SFNCCRSP111TW02
BFNBEFSP111CW01	HWFT71*N	SFNCCRSP111TW02
BFNBEFSP111TN01	HWFT71*N1102	SFNCXRSP111TW02
BFNBEFSP111TW01	HWFT73*N	SFNCFSP111TW01
BFNBEFSP112CN01	HWFT73*N1102	SFNCFSP111TW02
BFNBEFSP112CW01	HWFX71*N1102	SFNCFSP112TW01
BFNBLFSP301AW01	HWFX71*N1127	SFNCFSP112TW02
BFNBLFSP302AW01	HWFY71*N1102	SFNCFSP112TW02
BFNBLFSP541NW01	HWFY73*N1102	SFNCFSP112TW02
BFNBLFSP542NW01	HWFY74*N4000	SFNCFSP112TW02
BFNBXFSP112FW01	HWFY75*N4000	SFNCFSP112TW02
BFNBXFSP302AW01	HWR971*N1102	SFNCFSP112TW02
BFNBXFSP112TW01	HWR971*N1127	SFNCFSP112TW02
BWFL74*N4000	HWR973*N1102	SFNCFSP112TW02
BWFL75*N4000	HWR973*N1102	SFNCFSP112TW02
BWFX71*N1127	HWR973*N1102	SFNCFSP112TW02
BWFX71*N3050	HWR973*N1102	SFNCFSP112TW02
BWFX74*N4000	HWR973*N1102	SFNCFSP112TW02
BWFX75*N4000	HWR973*N1102	SFNCFSP112TW02
HFNBCFSG111TN01	NWFL84*N4000	SFNCFSP112TW02
HFNBCFSG112TN01	NWFL85*N4000	SFNCFSP112TW02
HFNBCFSG112TQ01	NWFL85*N4000	SFNCFSP112TW02
HFNBCFSG112TW01	NWFL85*N4000	SFNCFSP112TW02
HFNBCFSP111TN01	NWFL85*N4000	SFNCFSP112TW02
HFNBCFSP112TN01	NWFL85*N4000	SFNCFSP112TW02
HFNBCFSP112TQ01	NWFL85*N4000	SFNCFSP112TW02
HFNBCFSP112TW01	NWFL85*N4000	SFNCFSP112TW02
HFNBCRSP112TW01	NWFL85*N4000	SFNCFSP112TW02
HFNBDFSG112CW01	NWFL85*N4000	SFNCFSP112TW02
HFNBDFSP112CW01	NWFL85*N4000	SFNCFSP112TW02
HFNBDRSP112CW01	NWFL85*N4000	SFNCFSP112TW02
HFNBEFSP112CW01	NWFL85*N4000	SFNCFSP112TW02
HFNBERSP112CW01	NWFL85*N4000	SFNCFSP112TW02
HFNBXFSP112CW01	NWFL85*N4000	SFNCFSP112TW02
HFNBXFSP112FQ01	NWFL85*N4000	SFNCFSP112TW02
HFNBXFSP122DW01	NWFL85*N4000	SFNCFSP112TW02
HFNBXFSP302NW22	NWFL85*N4000	SFNCFSP112TW02
HFNBXFSP542DW01	NWFL85*N4000	SFNCFSP112TW02
HFNBXRSP112FW28	NWFL85*N4000	SFNCFSP112TW02
HFNBXFSP112CW01	NWFL85*N4000	SFNCFSP112TW02
HFNBXFSP112CW01	NWFL85*N4000	SFNCFSP112TW02
HFNBXRSP112CW01	NWFL85*N4000	SFNCFSP112TW02

\* Add Letter To Designate Color. N - Stainless Steel Q - Bisque W - White

# Control Panel and Controls (Drawing 1 of 2)

Models BFNBCFSG111TN01, BFNBCFSG111TW01, BFNBEFSP111CN01, BFNBEFSP111CW01, BFNBEFSP111TN01, BFNBEFSP111TW01, BWF71\*N1127, BWF71\*N3050, BWF74\*N4000, BWF75\*N4000, HFNBCFSG111TN01, HFNBCFSP111TN01, HFNCXFSP111CW01, HWFB71\*N, HWFB71\*N1102, HWFR71\*N1102, HWFT71\*N, HWFT71\*N1102, HWFT73\*N, HWFT73\*N1102, HWFX71\*N1102, HWFX71\*N1127, HWFY71\*N1102, HWFY73\*N1102, HWFY74\*N4000, HWFY75\*N4000, NWF74\*N4000, NWF75\*N4000, SFNBXFSP301NW22, SFNCCFSP111TW01, SFNCYFSP111TW01, SWFA71\*N, SWFA71\*N3050, SWFA71\*N3069, SWFA73\*N, SWFB71\*N, SWFB72\*N, SWFB73\*N, SWFF71\*N, SWFF71\*N3050, SWFF73\*N, SWFT71\*N, SWFT73\*N, SWFX71\*N, SWFX71\*N1127, SWFX71\*N3000, SWFX71\*N3050, SWFX71\*N3051, SWFX71\*N5400, SWFX73\*N, SWFX74\*N4000, SWFX75\*N4000, SWFY71\*N and SWFY73\*N



FLW1680P\_802739



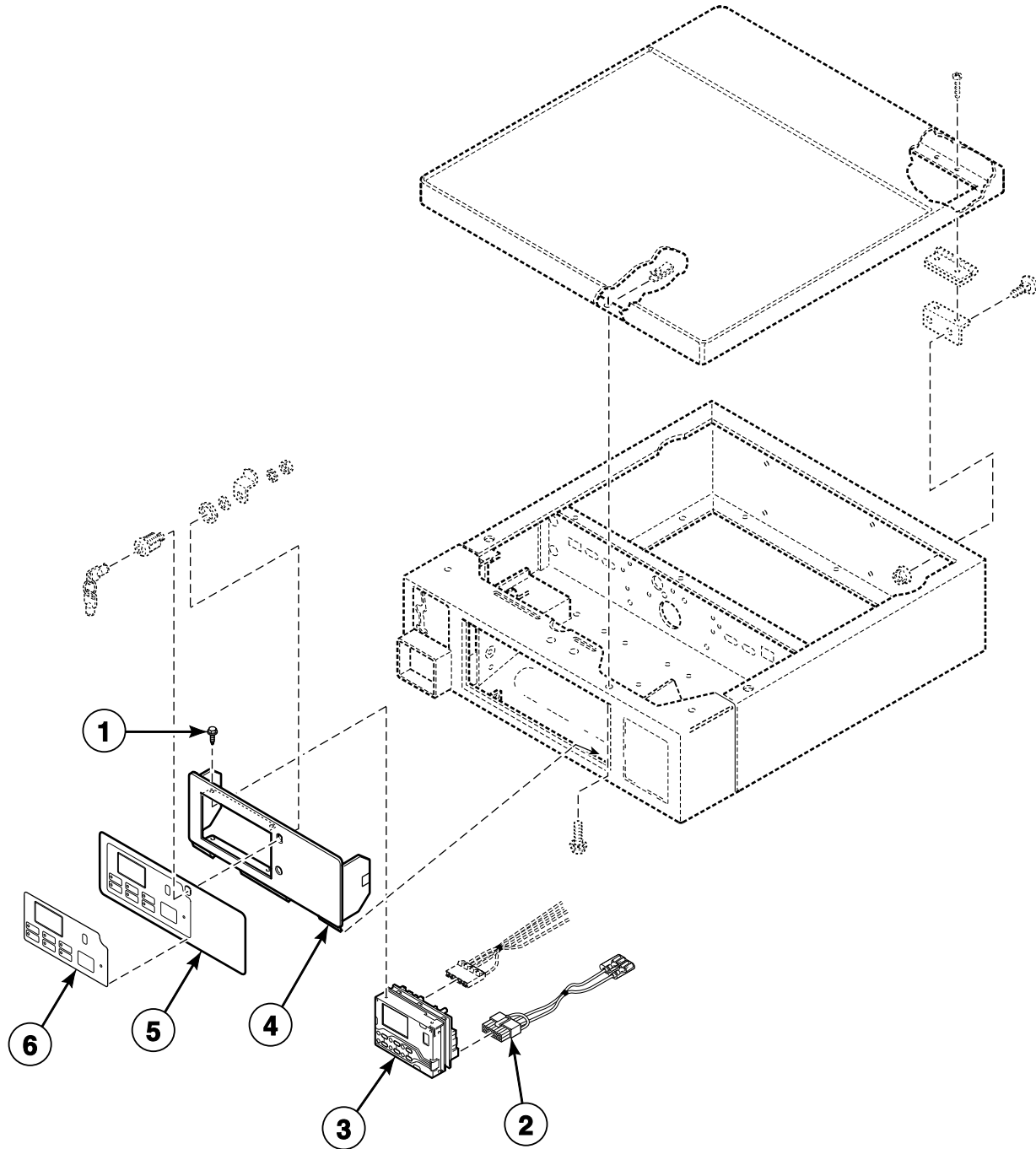
## Control Panel and Controls (Drawing 1 of 2)

REF	PART NO.	DESCRIPTION	COMMENTS
1	D501524	Screw	
2	D511478	Central Pay Harness	Models BFNBCFSG111TN01, BFNBCFSG111TW01, BFNBEFSP111CN01, BFNBEFSP111CW01, BFNBEFSP111TN01, BFNBEFSP111TW01, BWFX71*N1127, BWFX71*N3050, BWFX74*N4000, BWFX75*N4000, HFNBCFSG111TN01, HFNBCFSP111TN01, HFNCXFSP111CW01, HWFR71*N1102, HWFT71*N, HWFT71*N1102, HWFT73*N, HWFT73*N1102, HWFX71*N1102, HWFX71*N1127, HWFY71*N1102, HWFY73*N1102, HWFY74*N4000, HWFY75*N4000, NWF74*N4000, NWF75*N4000, SFNBXFSP301NW22, SFNCCFSP111TW01, SFNCYFSP111TW01, SWFT71*N, SWFT73*N, SWFX71*N, SWFX71*N1127, SWFX71*N3000, SWFX71*N3050, SWFX71*N3051, SWFX71*N5400, SWFX73*N, SWFX74*N4000, SWFX75*N4000, SWFY71*N and SWFY73*N
3	800374	Diagnostic Wire Harness Assembly	Models HWFY71*N1102, HWFY73*N1102, HWFY74*N4000, HWFY75*N4000, SFNCYFSP111TW01, SWFF71*N, SWFF71*N3050, SWFF73*N, SWFY71*N and SWFY73*N
4	800772P	Control Kit	Models HWFB71*N, HWFB71*N1102, SWFA71*N, SWFA71*N3050, SWFA71*N3069, SWFB71*N, SWFB72*N, SWFF71*N and SWFF71*N3050
	802076P	Control Kit	Models SWFA73*N, SWFB73*N and SWFF73*N
	803146P	Control Assembly	Models BFNBCFSG111TN01, BFNBCFSG111TW01, BFNBEFSP111CN01, BFNBEFSP111CW01, BFNBEFSP111TN01, BFNBEFSP111TW01, BWFX71*N1127, BWFX71*N3050, HFNBCFSG111TN01, HFNBCFSP111TN01, HFNCXFSP111CW01, HWFR71*N1102, HWFT71*N, HWFT71*N1102, HWFT73*N, HWFT73*N1102, HWFX71*N1102, HWFX71*N1127, HWFY71*N1102, HWFY73*N1102, SFNBXFSP301NW22, SFNCCFSP111TW01, SFNCYFSP111TW01, SWFT71*N, SWFT73*N, SWFX71*N, SWFX71*N1127, SWFX71*N3000, SWFX71*N3050, SWFX71*N3051, SWFX71*N5400, SWFX73*N, SWFY71*N and SWFY73*N
	802400P	Control Assembly	Models BWFX74*N4000, BWFX75*N4000, HWFY74*N4000, HWFY75*N4000, NWF74*N4000, NWF75*N4000, SWFX74*N4000 and SWFX75*N4000
	210010P	Membrane Switch	Use with 802400P Control Assembly; Models BWFX74*N4000, BWFX75*N4000, HWFY74*N4000, HWFY75*N4000, NWF74*N4000, NWF75*N4000, SWFX74*N4000 and SWFX75*N4000
5	800035W	Control Panel and Bracket Assembly	White
	800035Q	Control Panel and Bracket Assembly	Bisque
	800035B	Control Panel and Bracket Assembly	Black
6	800033	Control Panel Overlay	Models SWFF71*N, SWFF71*N3050 and SWFF73*N
	800413	Control Panel Overlay	Models SWFA71*N, SWFA71*N3050, SWFA71*N3069, SWFA73*N, SWFB71*N, SWFB72*N and SWFB73*N
	800416	Control Panel Overlay	Models HWFB71*N and HWFB71*N1102
	801050	Front Overlay	Models SFNBXFSP301NW22, SFNCCFSP111TW01, SFNCYFSP111TW01, SWFT71*N, SWFT73*N, SWFX71*N, SWFX71*N1127, SWFX71*N3000, SWFX71*N3050, SWFX71*N3051, SWFX71*N5400, SWFX73*N, SWFY71*N and SWFY73*N
	801053	Front Overlay	Models HFNBCFSG111TN01, HFNBCFSP111TN01, HFNCXFSP111CW01, HWFR71*N1102, HWFT71*N, HWFT71*N1102, HWFT73*N, HWFT73*N1102, HWFX71*N1102, HWFX71*N1127, HWFY71*N1102 and HWFY73*N1102
	801037	Front Overlay	Models SWFX74*N4000 and SWFX75*N4000
	801761	Front Overlay	Models HWFY74*N4000 and HWFY75*N4000
	802510	Overlay	Models NWF74*N4000 and NWF75*N4000
	801872	Overlay	Models BWFX74*N4000 and BWFX75*N4000
	803434	Overlay	Models BFNBCFSG111TN01, BFNBCFSG111TW01, BFNBEFSP111CN01, BFNBEFSP111CW01, BFNBEFSP111TN01, BFNBEFSP111TW01, BWFX71*N1127 and BWFX71*N3050
7	803597	Overlay	French/English; Models HFNCXFSP111CW01, HWFR71*N1102, HWFT71*N1102, HWFT73*N1102, HWFX71*N1102, HWFY71*N1102 and HWFY73*N1102

\* Add Letter To Designate Color. N - Stainless Steel Q - Bisque W - White

## Control Panel and Controls (Drawing 2 of 2)

Models BFNBCFSG112TN01, BFNBCFSG112TW01, BFNBCFSP112TW01, BFNBEFSP112CN01, BFNBEFSP112CW01, BFNBFSP112FW01, BFNBFSP302AW01, BFNBYFSP112TW01, HFNBCFSG112TN01, HFNBCFSG112TQ01, HFNBCFSG112TW01, HFNBCFSP112TN01, HFNBCFSP112TQ01, HFNBCFSP112TW01, HFNBDFSG112CW01, HFNBDFSP112CW01, HFNBEFSP112CW01, HFNBXFSP112CW01, HFNBXFSP112FQ01, HFNBXFSP122DW01, HFNBXFSP302NW22, HFNBXFSP542DW01, HFNBYSFG112CW01, HFNBYSFG112CW01, SFNBCFSG112TQ01, SFNBCFSG112TW01, SFNBCFSP112TQ01, SFNBCFSP112TW01, SFNBXFSG082JW01, SFNBXFSG112TQ01, SFNBXFSG112TW01, SFNBXFSP112TQ01, SFNBXFSP112TW01, SFNBXFSP122DW01, SFNBXFSP302AW01, SFNBXFSP302NQ01, SFNBXFSP302NW01, SFNBXFSP302NW22, SFNBXFSP542DW01, SFNBYSFG112TW01 and SFNBYSFG112TW01



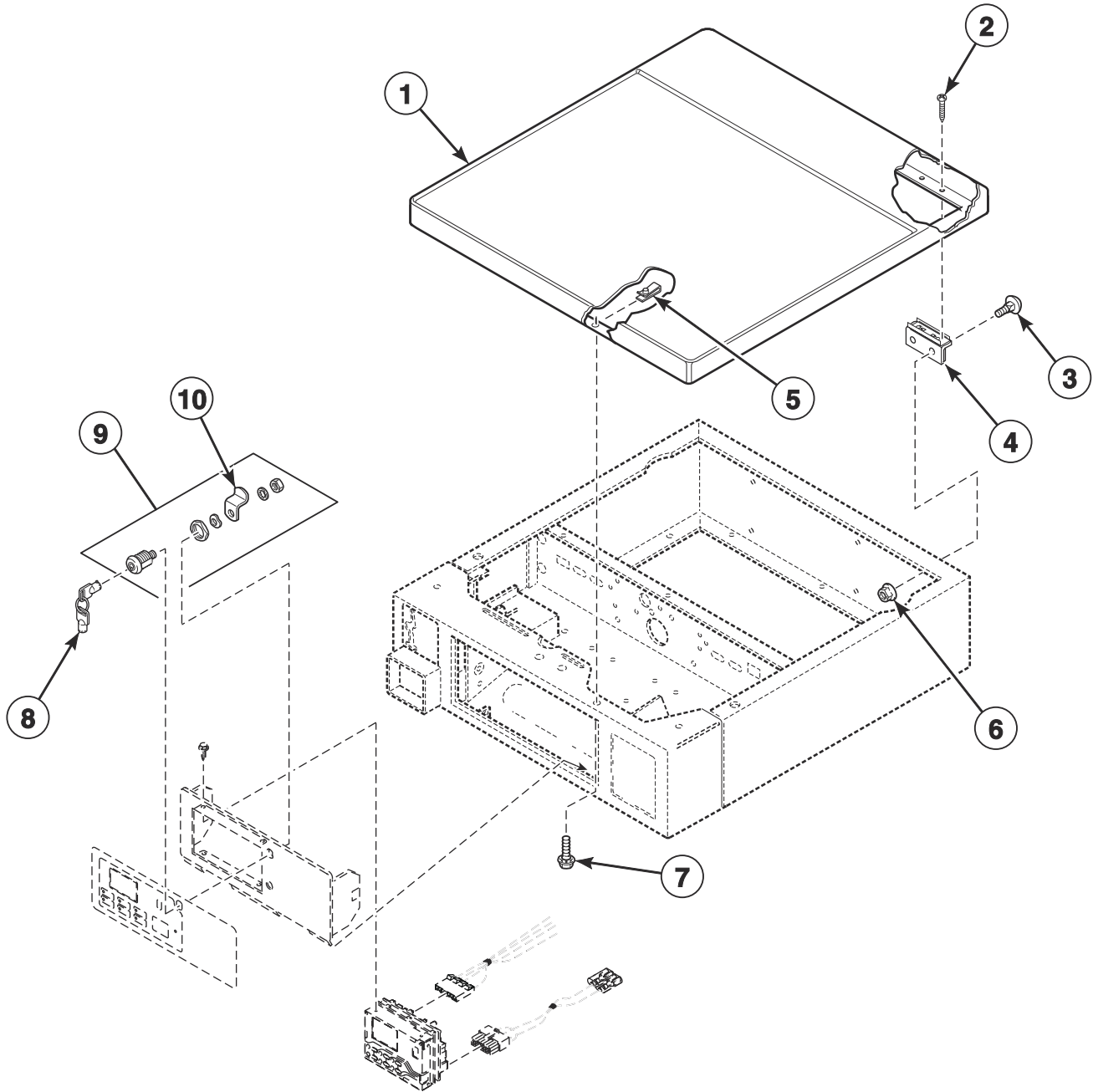
FLW1680PA\_802739

## Control Panel and Controls (Drawing 2 of 2)

REF	PART NO.	DESCRIPTION	COMMENTS
1	D501524	Screw	
2	800374	Diagnostic Wire Harness Assembly	Models HFNBYSFG112CW01 and HFNBYSFP112CW01
3	803146P	Control Assembly	
4	800035W	Control Panel and Bracket Assembly	White
	800035Q	Control Panel and Bracket Assembly	Bisque
	800035B	Control Panel and Bracket Assembly	Black
5	801050	Front Overlay	Models SFNBCFSG112TQ01, SFNBCFSG112TW01, SFNBCFSP112TQ01, SFNBCFSP112TW01, SFNBXFSG082JW01, SFNBXFSG112TQ01, SFNBXFSG112TW01, SFNBXFSP112TQ01, SFNBXFSP112TW01, SFNBXFSP122DW01, SFNBXFSP302AW01, SFNBXFSP302NQ01, SFNBXFSP302NW01, SFNBXFSP302NW22, SFNBXFSP542DW01, SFNBYSFG112TW01 and SFNBYSFP112TW01
	801053	Front Overlay	Models HFNBCFSG112TN01, HFNBCFSG112TQ01, HFNBCFSG112TW01, HFNBCFSP112TN01, HFNBCFSP112TQ01, HFNBCFSP112TW01, HFNBDFSG112CW01, HFNBDFSP112CW01, HFNBDFSP112CW01, HFNBXFSP112CW01, HFNBXFSP112CW01, HFNBXFSP112FQ01, HFNBXFSP122DW01, HFNBXFSP302NW22, HFNBXFSP542DW01, HFNBYSFG112CW01 and HFNBYSFP112CW01
	803434	Overlay	Models BFNBCFSG112TN01, BFNBCFSG112TW01, BFNBCFSP112TW01, BFNBDFSP112CN01, BFNBDFSP112CW01, BFNBXFSP112FW01, BFNBXFSP302AW01 and BFNBYSFP112TW01
6	803597	Overlay	French/English; Models HFNBDFSG112CW01, HFNBDFSP112CW01, HFNBDFSP112CW01, HFNBXFSP112CW01, HFNBYSFG112CW01 and HFNBYSFP112CW01

# Top Assembly (Drawing 1 of 2)

Models BFNBCFSG111TN01, BFNBCFSG111TW01, BFNBEFSP111CN01, BFNBEFSP111CW01, BFNBEFSP111TN01, BFNBEFSP111TW01, BWF71\*N1127, BWF71\*N3050, BWF74\*N4000, BWF75\*N4000, HFNBCFSG111TN01, HFNBCFSP111TN01, HFNCXFSP111CW01, HWFB71\*N, HWFB71\*N1102, HWFR71\*N1102, HWFT71\*N, HWFT71\*N1102, HWFT73\*N, HWFT73\*N1102, HWFX71\*N1102, HWFX71\*N1127, HWFY71\*N1102, HWFY73\*N1102, HWFY74\*N4000, HWFY75\*N4000, NWF74\*N4000, NWF75\*N4000, SFNBXFSP301NW22, SFNCCFSP111TW01, SFNCYFSP111TW01, SWFA71\*N, SWFA71\*N3050, SWFA71\*N3069, SWFA73\*N, SWFB71\*N, SWFB72\*N, SWFB73\*N, SWFF71\*N, SWFF71\*N3050, SWFF73\*N, SWFT71\*N, SWFT73\*N, SWFX71\*N, SWFX71\*N1127, SWFX71\*N3000, SWFX71\*N3050, SWFX71\*N3051, SWFX71\*N5400, SWFX73\*N, SWFX74\*N4000, SWFX75\*N4000, SWFY71\*N and SWFY73\*N



FLW1880P

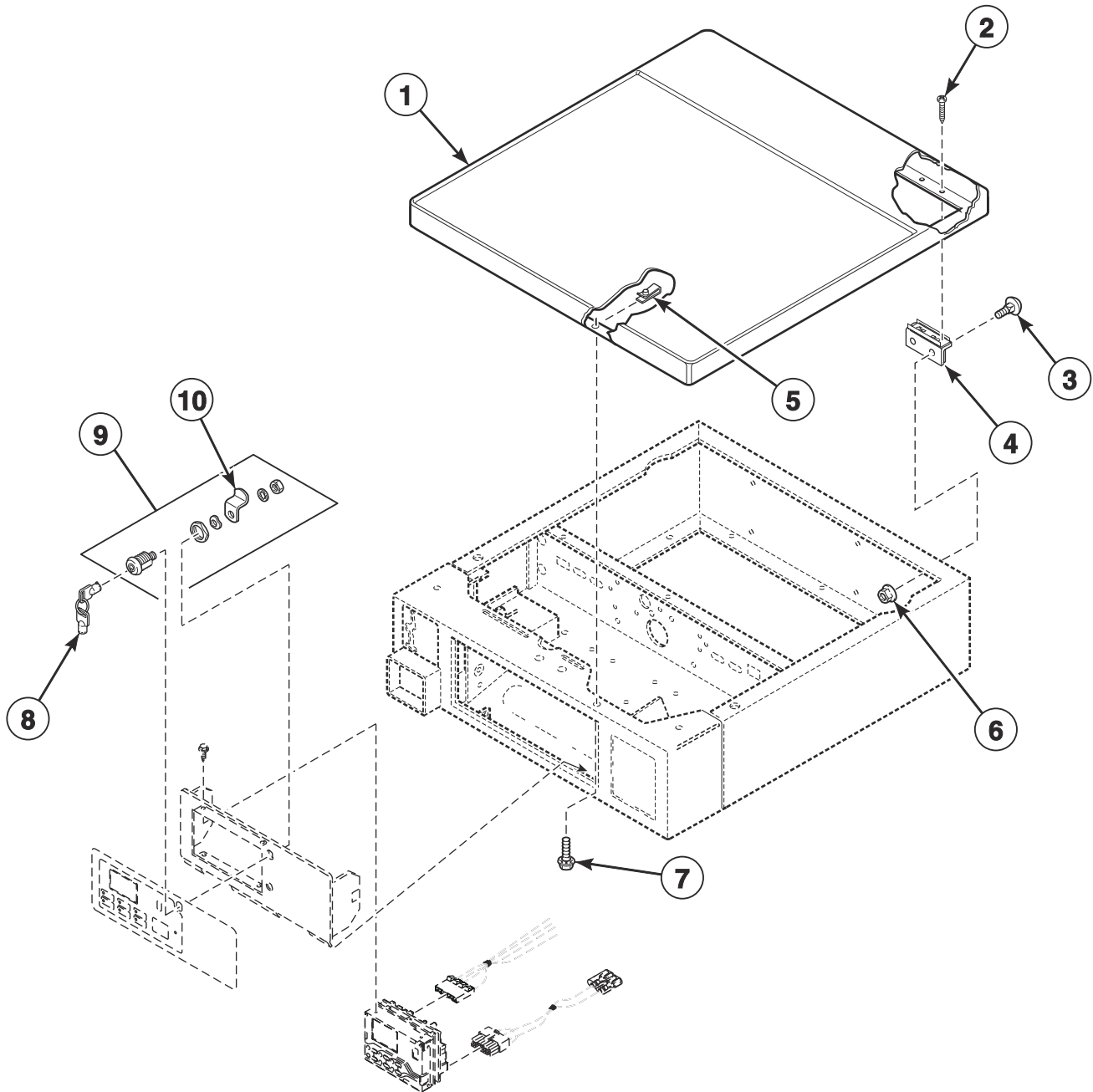
## Top Assembly (Drawing 1 of 2)

REF	PART NO.	DESCRIPTION	COMMENTS
1	802247WP	Top and Gusset Assembly	White; Includes 802247W Top and Gusset Assembly, (10) 02788 Nut, (10) 34337 Screw, (2) D510146 Bracket and 2 each items 3 and 5
	802247QP	Top and Gusset Assembly	Bisque; Includes 802247Q Top and Gusset Assembly, (10) 02788 Nut, (10) 34337 Screw, (2) D510146 Bracket and 2 each items 3 and 5
	D512967	Stainless Steel Top	Stainless steel; Models BFNBEFSP111CN01, BFNBEFSP111TN01, HFNBCFSG111TN01 and HFNBCFSP111TN01 through Serial No. 1005018719; All other models
	803144P	Top Kit	Stainless steel; Includes items 3, 4, 6, 7 and 4 each 22649 Screw and 51236 Nut; Model BFNBCFSG111TN01; Models BFNBEFSP111CN01, BFNBEFSP111TN01, HFNBCFSG111TN01 and HFNBCFSP111TN01 starting Serial No. 1005018720
2	685847	Pop Rivet	
3	29651	Bolt	
4	804676	Hinge	Includes bracket
5	36020	Nut	
6	44087201	Nut	
7	23008	Screw	
8	54612	Key	GR800
9	27260P	Lock Kit	
10	27261	Lock Cam	

\* Add Letter To Designate Color. N - Stainless Steel Q - Bisque W - White

# Top Assembly (Drawing 2 of 2)

Models BFNBCFSG112TN01, BFNBCFSG112TW01, BFNBCFSP112TW01, BFNBEFSP112CN01, BFNBEFSP112CW01, BFNBFSP112FW01, BFNBFSP302AW01, BFNBYFSP112TW01, HFNBCFSG112TN01, HFNBCFSG112TQ01, HFNBCFSG112TW01, HFNBCFSP112TN01, HFNBCFSP112TQ01, HFNBCFSP112TW01, HFNBDFSG112CW01, HFNBDFSP112CW01, HFNBEFSP112CW01, HFNBXFSP112CW01, HFNBXFSP112FQ01, HFNBXFSP122DW01, HFNBXFSP302NW22, HFNBXFSP542DW01, HFNBYSFG112CW01, HFNBYSFG112CW01, SFNBCFSG112TQ01, SFNBCFSG112TW01, SFNBCFSP112TQ01, SFNBCFSP112TW01, SFNBXFSG082JW01, SFNBXFSG112TQ01, SFNBXFSG112TW01, SFNBXFSP112TQ01, SFNBXFSP112TW01, SFNBXFSP122DW01, SFNBXFSP302AW01, SFNBXFSP302NQ01, SFNBXFSP302NW01, SFNBXFSP302NW22, SFNBXFSP542DW01, SFNBYSFG112TW01 and SFNBYSFG112TW01



FLW1880P

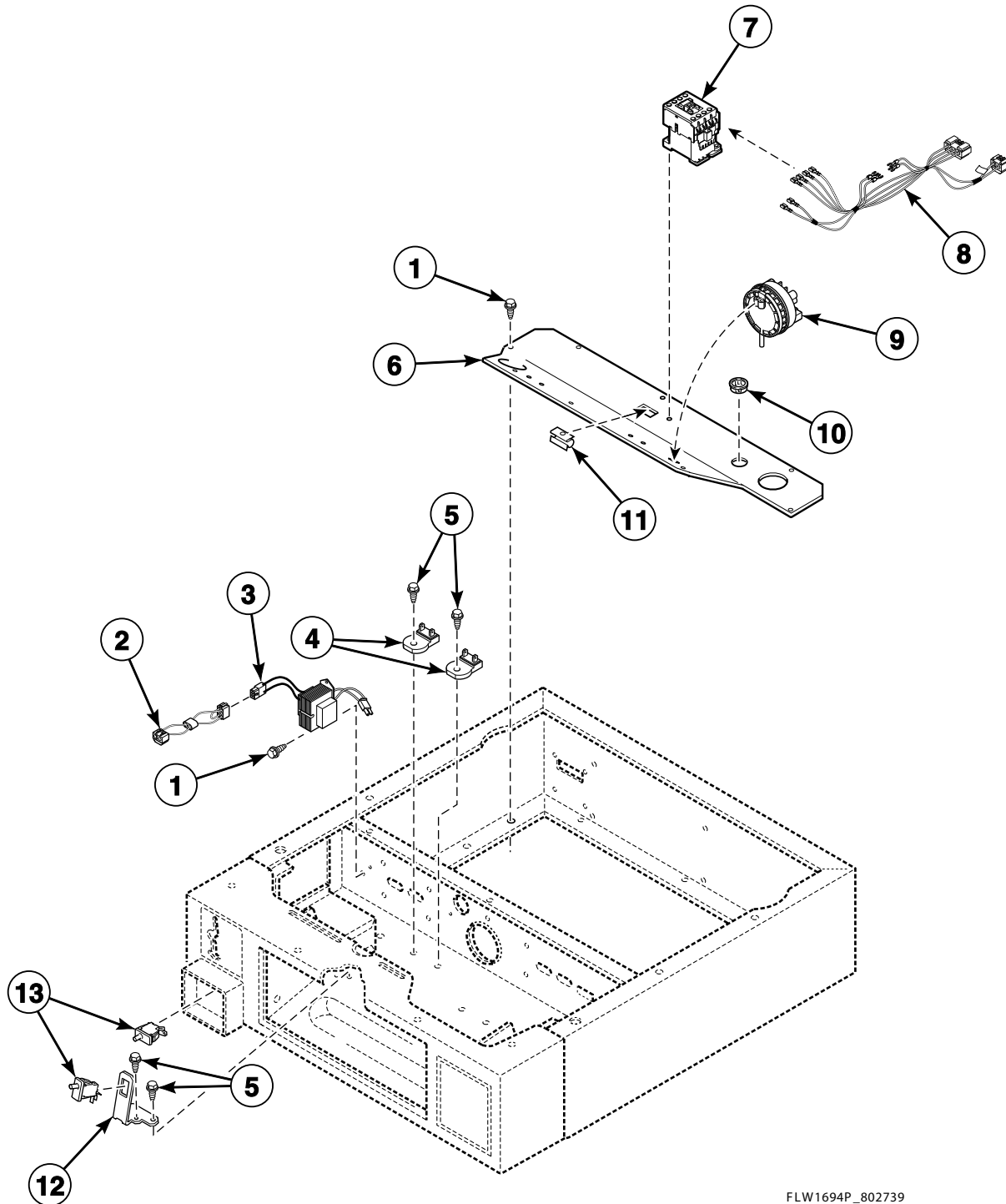
## Top Assembly (Drawing 2 of 2)

REF	PART NO.	DESCRIPTION	COMMENTS
1	802247WP	Top and Gusset Assembly	White; Includes 802247W Top and Gusset Assembly, (10) 02788 Nut, (10) 34337 Screw, (2) D510146 Bracket and 2 each items 3 and 5
	802247QP	Top and Gusset Assembly	Bisque; Includes 802247Q Top and Gusset Assembly, (10) 02788 Nut, (10) 34337 Screw, (2) D510146 Bracket and 2 each items 3 and 5
	803144P	Top Kit	Stainless steel; Includes items 3, 4, 6, 7 and 4 each 22649 Screw and 51236 Nut; Models BFNBCFSG112TN01, BFNBEFSP112CN01, HFNBCFSG112TN01 and HFNBCFSP112TN01
2	685847	Pop Rivet	
3	29651	Bolt	
4	804676	Hinge	Includes bracket
5	36020	Nut	
6	44087201	Nut	
7	23008	Screw	
8	54612	Key	GR800
9	27260P	Lock Kit	
10	27261	Lock Cam	

\* Add Letter To Designate Color. N - Stainless Steel Q - Bisque W - White

## Control Cabinet Controls (Drawing 1 of 2)

Models BFNBCFSG111TN01, BFNBCFSG111TW01, BFNBEFSP111CN01, BFNBEFSP111CW01, BFNBEFSP111TN01, BFNBEFSP111TW01, BWFX71\*N1127, BWFX71\*N3050, BWFX74\*N4000, BWFX75\*N4000, HFNBCFSG111TN01, HFNBCFSP111TN01, HFNCXFSP111CW01, HWFB71\*N, HWFB71\*N1102, HWFR71\*N1102, HWFT71\*N, HWFT71\*N1102, HWFT73\*N, HWFT73\*N1102, HWFX71\*N1102, HWFX71\*N1127, HWFY71\*N1102, HWFY73\*N1102, HWFY74\*N4000, HWFY75\*N4000, NWF74\*N4000, NWF75\*N4000, SFNBXFSP301NW22, SFNCCFSP111TW01, SFNCYFSP111TW01, SWFA71\*N, SWFA71\*N3050, SWFA71\*N3069, SWFA73\*N, SWFB71\*N, SWFB72\*N, SWFB73\*N, SWFF71\*N, SWFF71\*N3050, SWFF73\*N, SWFT71\*N, SWFT73\*N, SWFX71\*N, SWFX71\*N1127, SWFX71\*N3000, SWFX71\*N3050, SWFX71\*N3051, SWFX71\*N5400, SWFX73\*N, SWFX74\*N4000, SWFX75\*N4000, SWFY71\*N and SWFY73\*N



FLW1694P\_802739



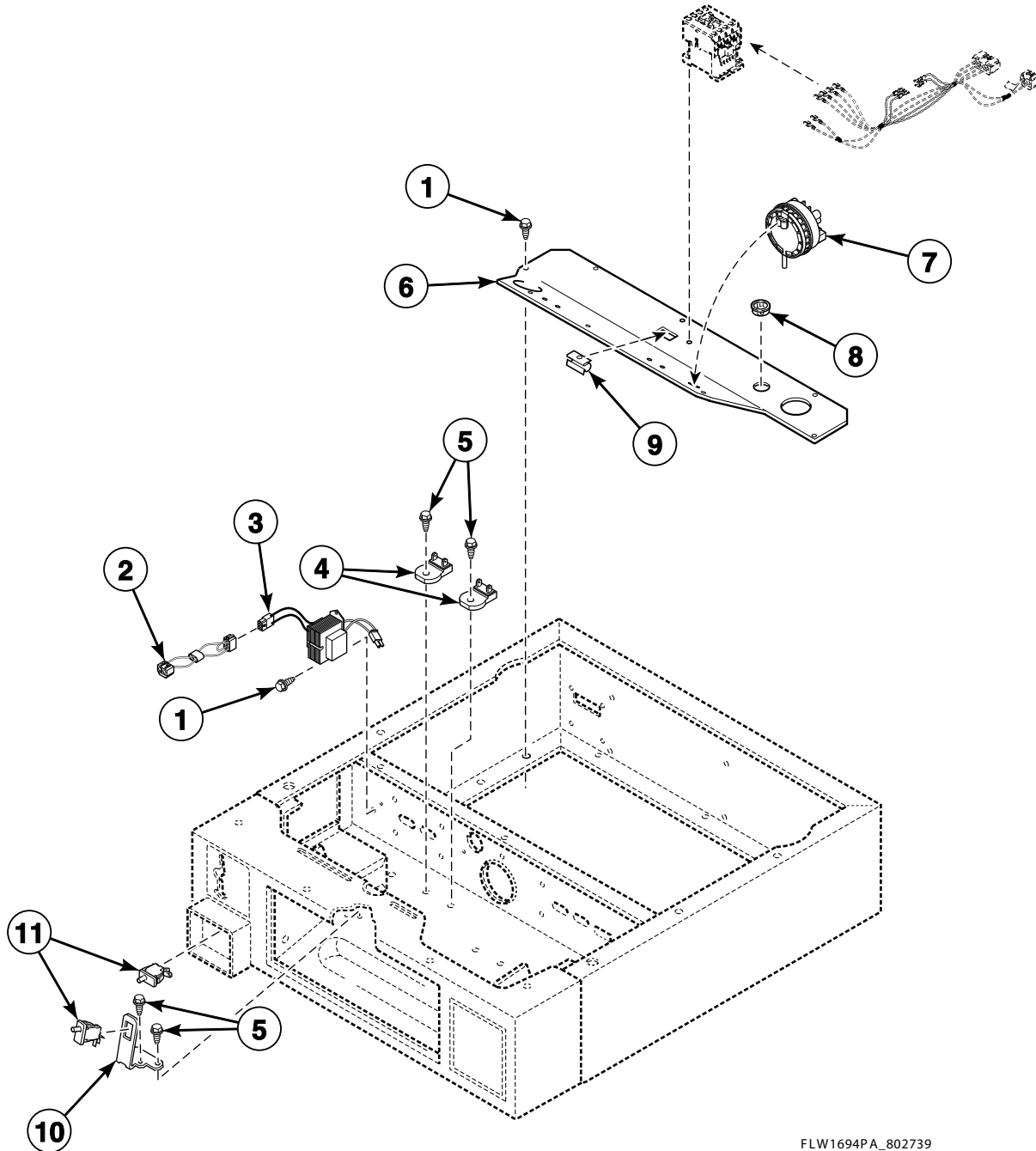
## Control Cabinet Controls (Drawing 1 of 2)

REF	PART NO.	DESCRIPTION	COMMENTS
1	D503661	Screw	Use with painted panels
	M405188	Screw	Use with stainless steel panels
2	M413507	Jumper Configuration Assembly	Models BWFX71*N3050, BWFX74*N4000, BWFX75*N4000, HWFY74*N4000, HWFY75*N4000, NWFY74*N4000, NWFY75*N4000, SFNBXFSP301NW22, SWFA71*N3050, SWFA71*N3069, SWFF71*N3050, SWFX71*N3000, SWFX71*N3050, SWFX71*N3051, SWFX71*N5400, SWFX74*N4000 and SWFX75*N4000
3	210018P	Transformer	Models BFNBCFSG111TN01, BFNBCFSG111TW01, HFNBCFSG111TN01, HFNBCFSP111TN01, HWFB71*N, HWFB71*N1102, HWFT71*N, HWFT71*N1102, HWFT73*N, HWFT73*N1102, SFNCCFSP111TW01, SWFB71*N, SWFB72*N, SWFB73*N, SWFF71*N, SWFF73*N, SWFT71*N and SWFT73*N
	201375P	Transformer	Some models may have jumper wire attached to transformer. Discard jumper wire when replacing transformer; Models BFNBEFSP111CN01, BFNBEFSP111CW01, BFNBEFSP111TN01, BFNBEFSP111TW01, HFNCXFSP111CW01, HWFR71*N1102, HWFX71*N1102, HWFX71*N1127, HWFY71*N1102, HWFY73*N1102, SFNCYFSP111TW01, SWFA71*N, SWFX71*N, SWFX71*N1127, SWFX73*N, SWFY71*N and SWFY73*N
	803527P	Transformer	All other models
4	210100	Resistor	Models BWFX71*N3050, BWFX74*N4000, BWFX75*N4000, HWFY74*N4000, HWFY75*N4000, NWFY74*N4000, NWFY75*N4000, SFNBXFSP301NW22, SWFA71*N3050, SWFA71*N3069, SWFF71*N3050, SWFX71*N3000, SWFX71*N3050, SWFX71*N3051, SWFX71*N5400, SWFX74*N4000 and SWFX75*N4000
5	D503688	Screw	
6	801371	Control Shield	
7	F330177P	Contactora	Models BWFX74*N4000, BWFX75*N4000, HWFY74*N4000, HWFY75*N4000, NWFY74*N4000, NWFY75*N4000, SWFX74*N4000 and SWFX75*N4000
8	801120P	Contactora Wire Harness Assembly	Models BWFX74*N4000, BWFX75*N4000, HWFY74*N4000, HWFY75*N4000, NWFY74*N4000, NWFY75*N4000, SWFX74*N4000 and SWFX75*N4000
9	802299P	Pressure Switch	
10	M402542	Snap Bushing	
11	36985	Hose Clip	
12	800379	Audit Switch Bracket	
13	D512973	Switch	

\* Add Letter To Designate Color. N - Stainless Steel Q - Bisque W - White

# Control Cabinet Controls (Drawing 2 of 2)

Models BFNBCFSG112TN01, BFNBCFSG112TW01, BFNBCFSP112TW01, BFNBESP112CN01, BFNBESP112CW01, BFNBXFSP112FW01, BFNBXFSP302AW01, BFNBXFSP112TW01, HFNBCFSG112TN01, HFNBCFSG112TQ01, HFNBCFSG112TW01, HFNBCFSP112TN01, HFNBCFSP112TQ01, HFNBCFSP112TW01, HFNBDFSG112CW01, HFNBDFSP112CW01, HFNBESP112CW01, HFNBXFSP112CW01, HFNBXFSP112FQ01, HFNBXFSP122DW01, HFNBXFSP302NW22, HFNBXFSP542DW01, HFNBXFSG112CW01, HFNBXFSP112CW01, SFNBCFSG112TQ01, SFNBCFSG112TW01, SFNBCFSP112TQ01, SFNBCFSP112TW01, SFNBXFSG082JW01, SFNBXFSG112TQ01, SFNBXFSG112TW01, SFNBXFSP112TQ01, SFNBXFSP112TW01, SFNBXFSP122DW01, SFNBXFSP302AW01, SFNBXFSP302NQ01, SFNBXFSP302NW01, SFNBXFSP302NW22, SFNBXFSP542DW01, SFNBXFSG112TW01 and SFNBXFSP112TW01



FLW1694PA\_802739

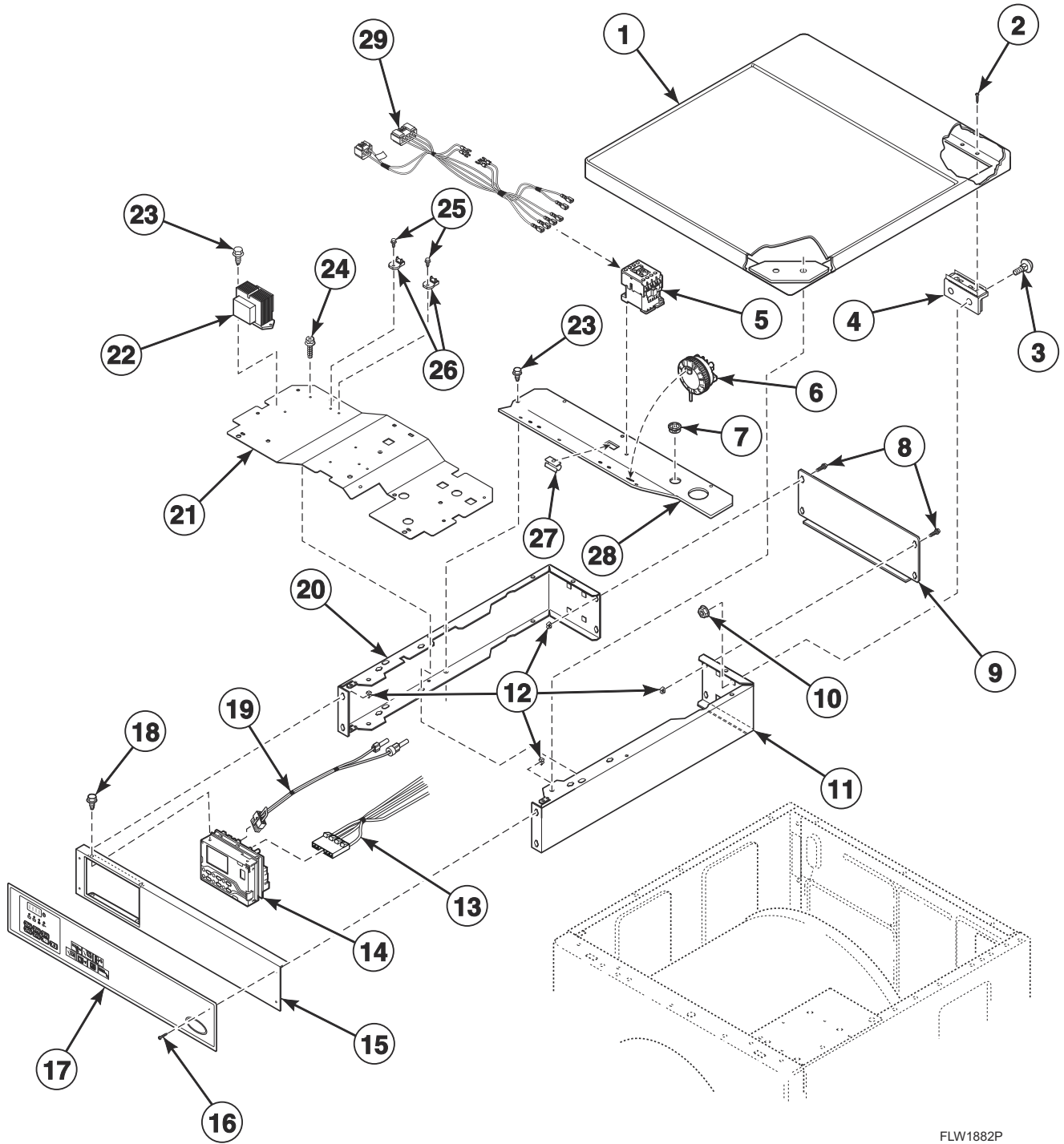
## Control Cabinet Controls (Drawing 2 of 2)

REF	PART NO.	DESCRIPTION	COMMENTS
1	D503661	Screw	Use with painted panels
	M405188	Screw	Use with stainless steel panels
2	M413507	Jumper Configuration Assembly	Models BFNBFSP302AW01, HFNBXFSP302NW22, HFNBXFSP542DW01, SFNBXFSP302AW01, SFNBXFSP302NQ01, SFNBXFSP302NW01, SFNBXFSP302NW22 and SFNBXFSP542DW01
	M413504	Jumper Harness Assembly	Model SFNBXFSG082JW01
3	210018P	Transformer	Models BFNBCFSG112TN01, BFNBCFSG112TW01, BFNBCFSP112TW01, HFNBFCFSG112TN01, HFNBFCFSG112TQ01, HFNBFCFSG112TW01, HFNBFCFSP112TN01, HFNBFCFSP112TQ01, HFNBFCFSP112TW01, HFNBDFSG112CW01, HFNBDFSP112CW01, SFNBFCFSG112TQ01, SFNBFCFSG112TW01, SFNBFCFSP112TQ01 and SFNBFCFSP112TW01
	803527P	Transformer	Models BFNBFSP302AW01, HFNBXFSP302NW22, HFNBXFSP542DW01, SFNBXFSG082JW01, SFNBXFSP302AW01, SFNBXFSP302NQ01, SFNBXFSP302NW01, SFNBXFSP302NW22 and SFNBXFSP542DW01
	201375P	Transformer	Some models may have jumper wire attached to transformer. Discard jumper wire when replacing transformer; All other models
4	210100	Resistor	Models BFNBFSP302AW01, HFNBXFSP302NW22, HFNBXFSP542DW01, SFNBXFSG082JW01, SFNBXFSP302AW01, SFNBXFSP302NQ01, SFNBXFSP302NW01, SFNBXFSP302NW22 and SFNBXFSP542DW01
5	D503688	Screw	
6	801371	Control Shield	
7	802299P	Pressure Switch	
8	M402542	Snap Bushing	
9	36985	Hose Clip	
10	800379	Audit Switch Bracket	
11	D512973	Switch	

\* Add Letter To Designate Color. N - Stainless Steel Q - Bisque W - White

# Control Cabinet and Controls

Models BFNBLFSP301AW01, BFNBLFSP302AW01, BFNBLFSP541NW01,  
BFNBLFSP542NW01, BWFL74\*N4000, BWFL75\*N4000, NWFL84\*N4000,  
NWFL85\*N4000 and SWFL74\*N4000



FLW1882P

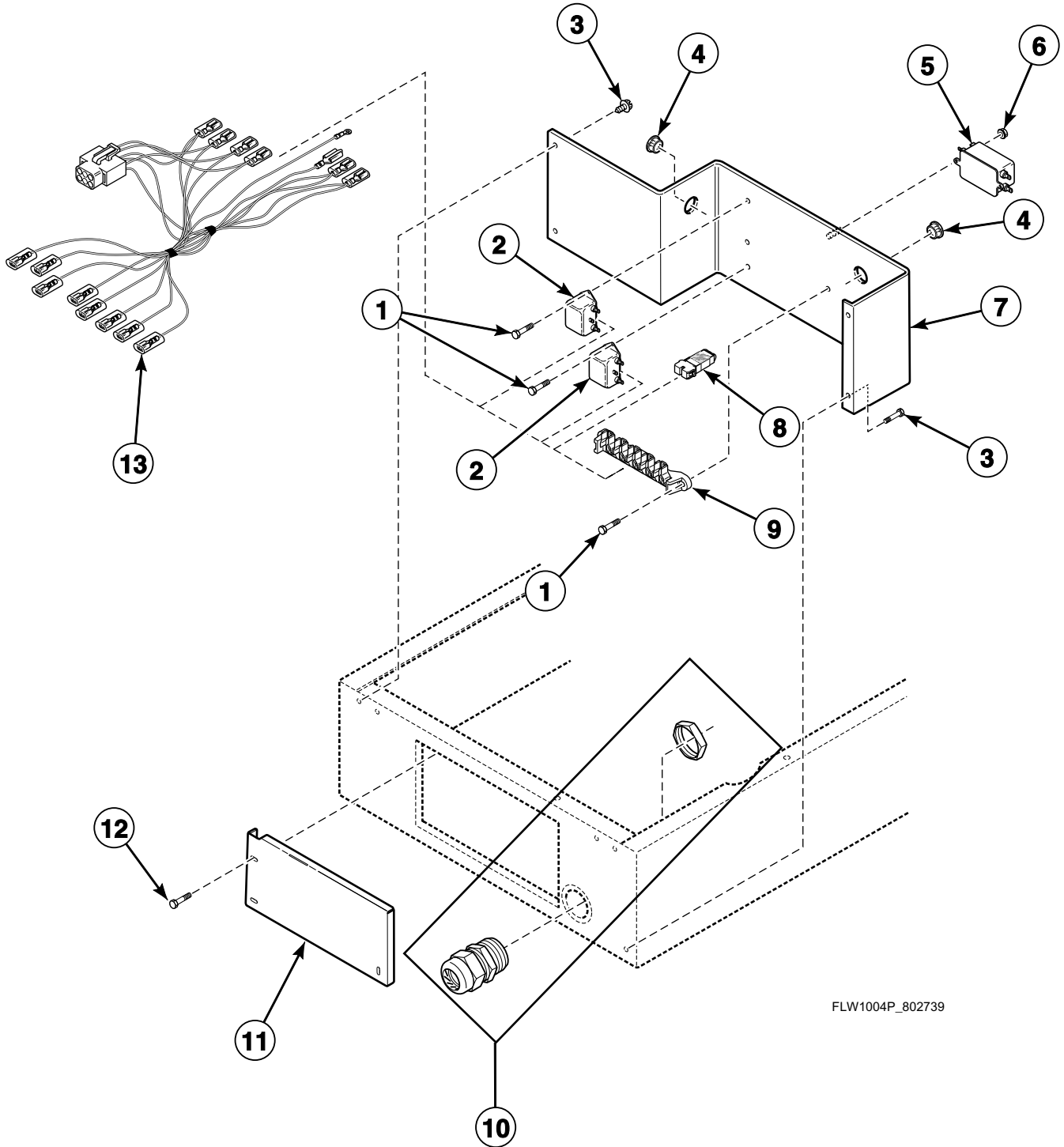
## Control Cabinet and Controls

REF	PART NO.	DESCRIPTION	COMMENTS
1	D512967	Stainless Steel Top	Models NWFL84*N4000, NWFL85*N4000 and SWFL74*N4000
	802247WP	Top and Gusset Assembly	White; Models BFNBLFSP301AW01, BFNBLFSP302AW01, BFNBLFSP541NW01, BFNBLFSP542NW01, BWFL74*N4000 and BWFL75*N4000
	802247QP	Top and Gusset Assembly	Bisque; Models BWFL74*N4000 and BWFL75*N4000
2	685847	Pop Rivet	
3	29651	Bolt	
4	804676	Hinge	Includes bracket
5	F330177P	Contactora	All models except BFNBLFSP301AW01, BFNBLFSP302AW01, BFNBLFSP541NW01 and BFNBLFSP542NW01
6	802299P	Pressure Switch	
7	M402542	Snap Bushing	
8	70240301	Screw	
9	801058	Rear Control Cabinet	
10	44087201	Nut	
11	800915W	Right Control Cabinet Side	White
	800915Q	Right Control Cabinet Side	Bisque
	800915B	Right Control Cabinet Side	Black
12	70030501	Expansion Clip	
13	D511478	Central Pay Harness	
14	803146P	Control Assembly	Models BFNBLFSP301AW01, BFNBLFSP302AW01, BFNBLFSP541NW01 and BFNBLFSP542NW01
	802400P	Control Assembly	All other models
	210010P	Membrane Switch	Use with 802400P Control Assembly; All other models
15	801737W	Control Panel	White
	801737B	Control Panel	Black
16	800930	Screw	
17	801762	Graphic Overlay	Models NWFL84*N4000 and NWFL85*N4000
	801983	Graphic Overlay	Models BWFL74*N4000 and BWFL75*N4000
	802868	Graphic Overlay	Model SWFL74*N4000
	803535	Overlay	Models BFNBLFSP301AW01, BFNBLFSP302AW01, BFNBLFSP541NW01 and BFNBLFSP542NW01
18	D501524	Screw	
19	202869	Wiring Harness Assembly	
20	801738W	Left Control Cabinet Side	White
	801738B	Left Control Cabinet Side	Black
21	801777	Control Cabinet Bottom	
22	803527P	Transformer	
23	D503661	Screw	
24	D503688	Screw	Use with painted panels
	M405188	Screw	Use with stainless steel panels
25	D503688	Screw	
26	210100	Resistor	
27	36985	Hose Clip	
28	801371	Control Shield	
29	801120P	Contactora Wire Harness Assembly	All models except BFNBLFSP301AW01, BFNBLFSP302AW01, BFNBLFSP541NW01 and BFNBLFSP542NW01

\* Add Letter To Designate Color. N - Stainless Steel Q - Bisque W - White

# Electrical Access Panel, Filters and Terminal Block

Models BFNBLFSP301AW01, BFNBLFSP302AW01, BFNBLFSP541NW01, BFNBLFSP542NW01, BWFL74\*N4000, BWFL75\*N4000, BWF74\*N4000, BWF75\*N4000, HWFY74\*N4000, HWFY75\*N4000, NWFL84\*N4000, NWFL85\*N4000, NWF74\*N4000, NWF75\*N4000, SWFL74\*N4000, SWFX74\*N4000 and SWFX75\*N4000



FLW1004P\_802739

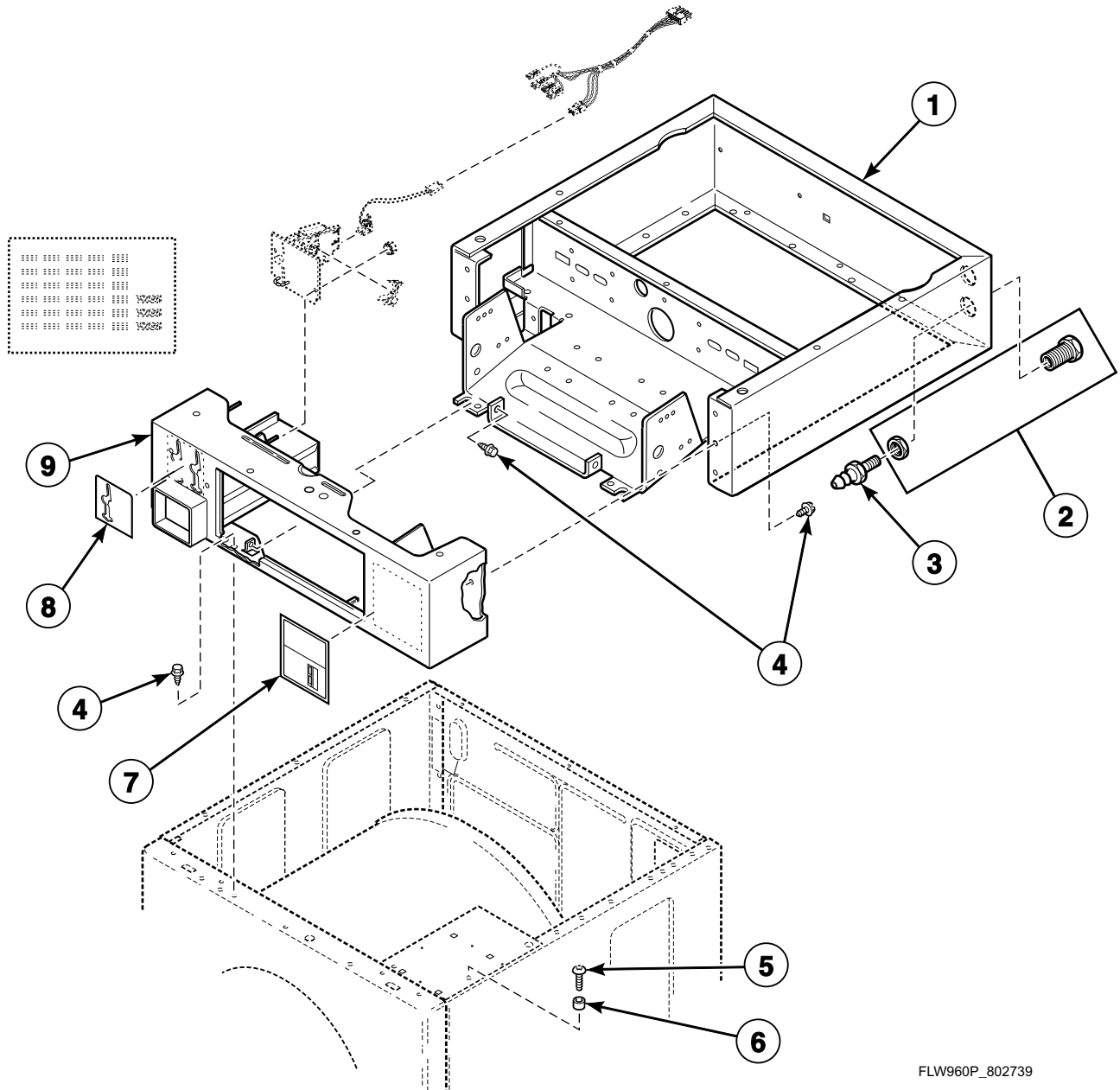
## Electrical Access Panel, Filters and Terminal Block

REF	PART NO.	DESCRIPTION	COMMENTS
1	D503661	Screw	All models except BFNBLFSP301AW01, BFNBLFSP302AW01, BFNBLFSP541NW01 and BFNBLFSP542NW01
2	801255P	Filter	All models except BFNBLFSP301AW01, BFNBLFSP302AW01, BFNBLFSP541NW01 and BFNBLFSP542NW01
3	D503688	Screw	
4	M402542	Snap Bushing	
5	201058	Line Filter	All models except BFNBLFSP301AW01, BFNBLFSP302AW01, BFNBLFSP541NW01 and BFNBLFSP542NW01
6	29787	Nut	All models except BFNBLFSP301AW01, BFNBLFSP302AW01, BFNBLFSP541NW01 and BFNBLFSP542NW01
7	801756	Terminal Block Assembly	Models BWFL74*N4000, BWFL75*N4000, NWFL84*N4000, NWFL85*N4000 and SWFL74*N4000
	801250	Terminal Block Assembly	Models BWF74*N4000, BWF75*N4000, HWFY74*N4000, HWFY75*N4000, NWF74*N4000, NWF75*N4000, SWF74*N4000 and SWF75*N4000
8	801311	Network Varistor Assembly	All models except BFNBLFSP301AW01, BFNBLFSP302AW01, BFNBLFSP541NW01 and BFNBLFSP542NW01
9	D505876	Terminal Block Assembly	All models except BFNBLFSP301AW01, BFNBLFSP302AW01, BFNBLFSP541NW01 and BFNBLFSP542NW01
10	801792P	Fitting	
11	801058	Rear Control Cabinet	Models BFNBLFSP301AW01, BFNBLFSP302AW01, BFNBLFSP541NW01, BFNBLFSP542NW01, BWFL74*N4000, BWFL75*N4000, NWFL84*N4000, NWFL85*N4000 and SWFL74*N4000
	801134	Electric Access Panel	All other models
12	70240301	Screw	Models BFNBLFSP301AW01, BFNBLFSP302AW01, BFNBLFSP541NW01, BFNBLFSP542NW01, BWFL74*N4000, BWFL75*N4000, NWFL84*N4000, NWFL85*N4000 and SWFL74*N4000
	D503661	Screw	All other models
13	801261	Wire Harness Assembly	3 Phase power; All models except BFNBLFSP301AW01, BFNBLFSP302AW01, BFNBLFSP541NW01 and BFNBLFSP542NW01

\* Add Letter To Designate Color. N - Stainless Steel Q - Bisque W - White

# Wrapper Assembly

Models BFNBCFSG111TN01, BFNBCFSG111TW01, BFNBCFSG112TN01, BFNBCFSG112TW01, BFNBCFSP112TW01, BFNBESP111CN01, BFNBESP111CW01, BFNBESP111TN01, BFNBESP111TW01, BFNBESP112CN01, BFNBESP112CW01, BFNBXFSP112FW01, BFNBXFSP302AW01, BWF71\*N1127, BWF71\*N3050, BWF74\*N4000, BWF75\*N4000, HFNBCFSG111TN01, HFNBCFSG112TN01, HFNBCFSG112TQ01, HFNBCFSG112TW01, HFNBCFSP111TN01, HFNBCFSP112TN01, HFNBCFSP112TQ01, HFNBCFSP112TW01, HFNBDFSG112CW01, HFNBDFSP112CW01, HFNBESP112CW01, HFNBXFSP112CW01, HFNBXFSP112FQ01, HFNBXFSP122DW01, HFNBXFSP302NW22, HFNBXFSP542DW01, HFNCXFSP111CW01, HWFB71\*N, HWFB71\*N1102, HWFR71\*N1102, HWFT71\*N, HWFT71\*N1102, HWFT73\*N, HWFT73\*N1102, HWFX71\*N1102, HWFX71\*N1127, NWF74\*N4000, NWF75\*N4000, SFNBCFSG112TQ01, SFNBCFSG112TW01, SFNBCFSP112TQ01, SFNBCFSP112TW01, SFNBXFSG082JW01, SFNBXFSG112TQ01, SFNBXFSG112TW01, SFNBXFSP112TQ01, SFNBXFSP112TW01, SFNBXFSP122DW01, SFNBXFSP301NW22, SFNBXFSP302AW01, SFNBXFSP302NQ01, SFNBXFSP302NW01, SFNBXFSP302NW22, SFNBXFSP542DW01, SFNCCFSP111TW01, SWFA71\*N, SWFA71\*N3050, SWFA71\*N3069, SWFA73\*N, SWFB71\*N, SWFB72\*N, SWFB73\*N, SWFT71\*N, SWFT73\*N, SWFX71\*N, SWFX71\*N1127, SWFX71\*N3000, SWFX71\*N3050, SWFX71\*N3051, SWFX71\*N5400, SWFX73\*N, SWFX74\*N4000 and SWFX75\*N4000



FLW960P\_802739



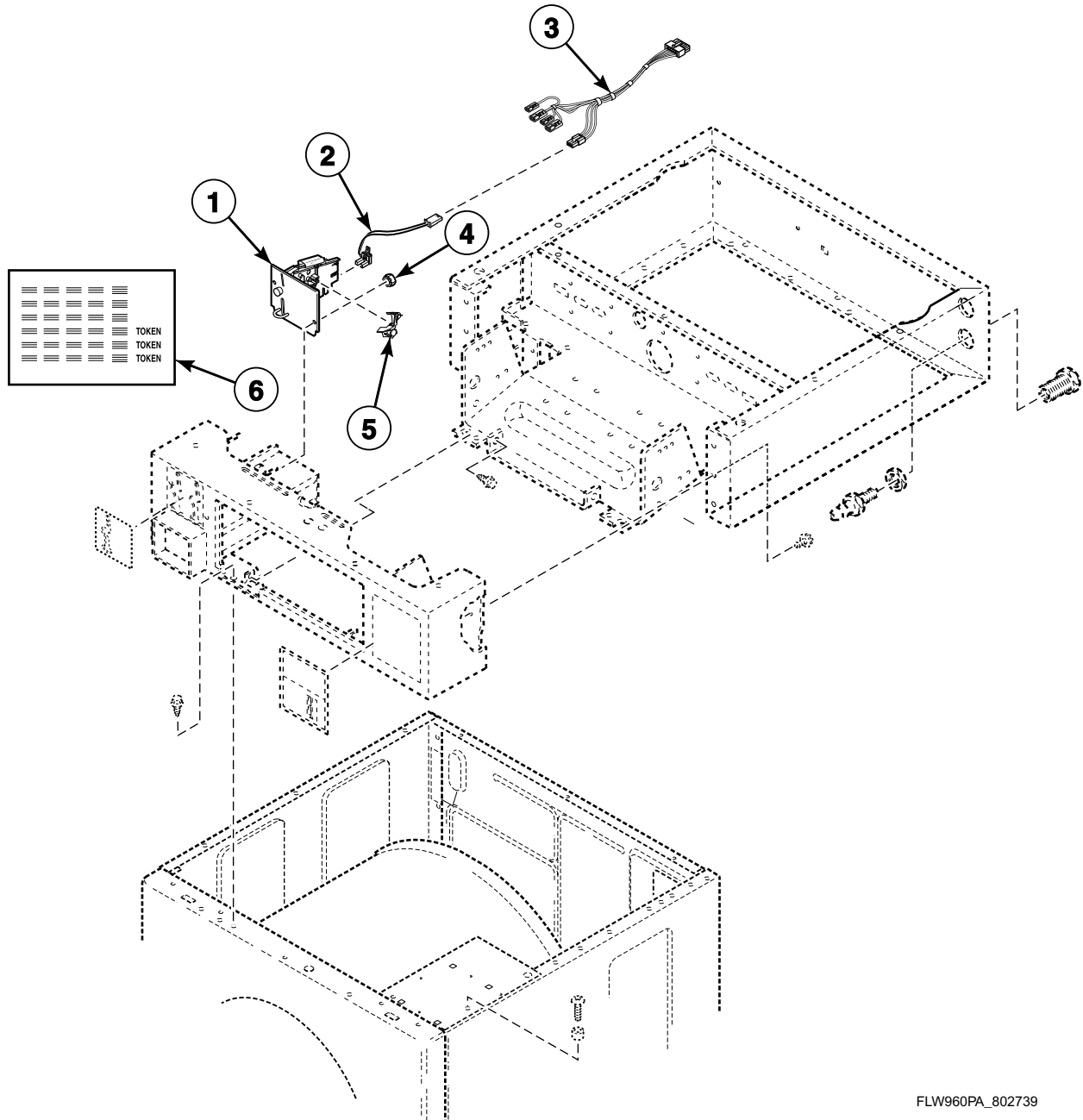
# Wrapper Assembly

REF	PART NO.	DESCRIPTION	COMMENTS
1	801235W	Security Cabinet Wrapper Assembly	White; Models BWFX74*N4000, BWFX75*N4000, NWF74*N4000, NWF75*N4000, SWFX74*N4000 and SWFX75*N4000
	801235Q	Security Cabinet Wrapper Assembly	Bisque; Models BWFX74*N4000, BWFX75*N4000, NWF74*N4000, NWF75*N4000, SWFX74*N4000 and SWFX75*N4000
	801235B	Security Cabinet Wrapper Assembly	Black; Models BWFX74*N4000, BWFX75*N4000, NWF74*N4000, NWF75*N4000, SWFX74*N4000 and SWFX75*N4000
	801780W	Security Cabinet Wrapper Assembly	White; Model SWFB72*N
	801780Q	Security Cabinet Wrapper Assembly	Bisque; Model SWFB72*N
	D505753WP	Wrapper and Channel Assembly	White; All other models
	D505753QP	Wrapper and Channel Assembly	Bisque; All other models
	D505753BP	Wrapper and Channel Assembly	Black; All other models
	2	801788	Union
3	801789	Connector	Model SWFB72*N
4	D503688	Screw	
5	39733	Screw	Use with painted panels
	D512921	Screw	Use with stainless steel panels
6	56079	Panel Locator	
7	801217	Operating Instruction Label	Models BWFX74*N4000, BWFX75*N4000, HFNBXFSP122DW01, HFNBXFSP542DW01, NWF74*N4000, NWF75*N4000, SFNBXFSP122DW01, SFNBXFSP542DW01, SWFA71*N3050, SWFX74*N4000 and SWFX75*N4000
	803594	Operating Instruction Label	French/English; Models HFNBDFSG112CW01, HFNBDFSP112CW01, HFNBEPSP112CW01, HFNBXFSP112CW01, HFNCXFSP111CW01, HWFR71*N1102, HWFT71*N1102, HWFT73*N1102 and HWFX71*N1102
	685942	Instruction Label	All other models
8	38717	Single Overlay	
	39073	Dual Overlay	Dual drop; Models HFNBDFSG112CW01, HFNBDFSP112CW01, HWFB71*N1102, HWFT71*N1102 and HWFT73*N1102
	38676	Overlay Kit	Dual drop
9	D511633WP	Security Cabinet Front Assembly	White
	D511633QP	Security Cabinet Front Assembly	Bisque
	D511633B	Security Cabinet Front Assembly	Black

\* Add Letter To Designate Color. N - Stainless Steel Q - Bisque W - White

# Non-Electronic Coin Drop

Models BFNBCFSG111TN01, BFNBCFSG111TW01, BFNBCFSG112TN01, BFNBCFSG112TW01, BFNBCFSP112TW01, BFNBEPSP112CN01, BFNBEPSP112CW01, BFNBXFSP112FW01, BFNBXFSP302AW01, BWF71\*N1127, BWF71\*N3050, BWF74\*N4000, BWF75\*N4000, HFNBCFSG111TN01, HFNBCFSG112TN01, HFNBCFSG112TQ01, HFNBCFSG112TW01, HFNBCFSP111TN01, HFNBCFSP112TN01, HFNBCFSP112TQ01, HFNBCFSP112TW01, HFNBDFSG112CW01, HFNBDFSP112CW01, HFNBEPSP112CW01, HFNBXFSP112CW01, HFNBXFSP112FQ01, HFNBXFSP122DW01, HFNBXFSP302NW22, HFNBXFSP542DW01, HFNCXFSP111CW01, HWFB71\*N, HWFB71\*N1102, HWFR71\*N1102, HWFT71\*N, HWFT71\*N1102, HWFT73\*N, HWFT73\*N1102, HWFX71\*N1102, HWFX71\*N1127, NWF74\*N4000, NWF75\*N4000, SFNBCFSG112TQ01, SFNBCFSG112TW01, SFNBCFSP112TQ01, SFNBCFSP112TW01, SFNBXFSG082JW01, SFNBXFSG112TQ01, SFNBXFSG112TW01, SFNBXFSP112TQ01, SFNBXFSP112TW01, SFNBXFSP122DW01, SFNBXFSP301NW22, SFNBXFSP302AW01, SFNBXFSP302NQ01, SFNBXFSP302NW01, SFNBXFSP302NW22, SFNBXFSP542DW01, SFNCCFSP111TW01, SWFA71\*N, SWFA71\*N3050, SWFA71\*N3069, SWFA73\*N, SWFB71\*N, SWFB72\*N, SWFB73\*N, SWFT71\*N, SWFT73\*N, SWFX71\*N, SWFX71\*N1127, SWFX71\*N3000, SWFX71\*N3050, SWFX71\*N3051, SWFX71\*N5400, SWFX73\*N, SWFX74\*N4000 and SWFX75\*N4000



FLW960PA\_802739

## Non-Electronic Coin Drop

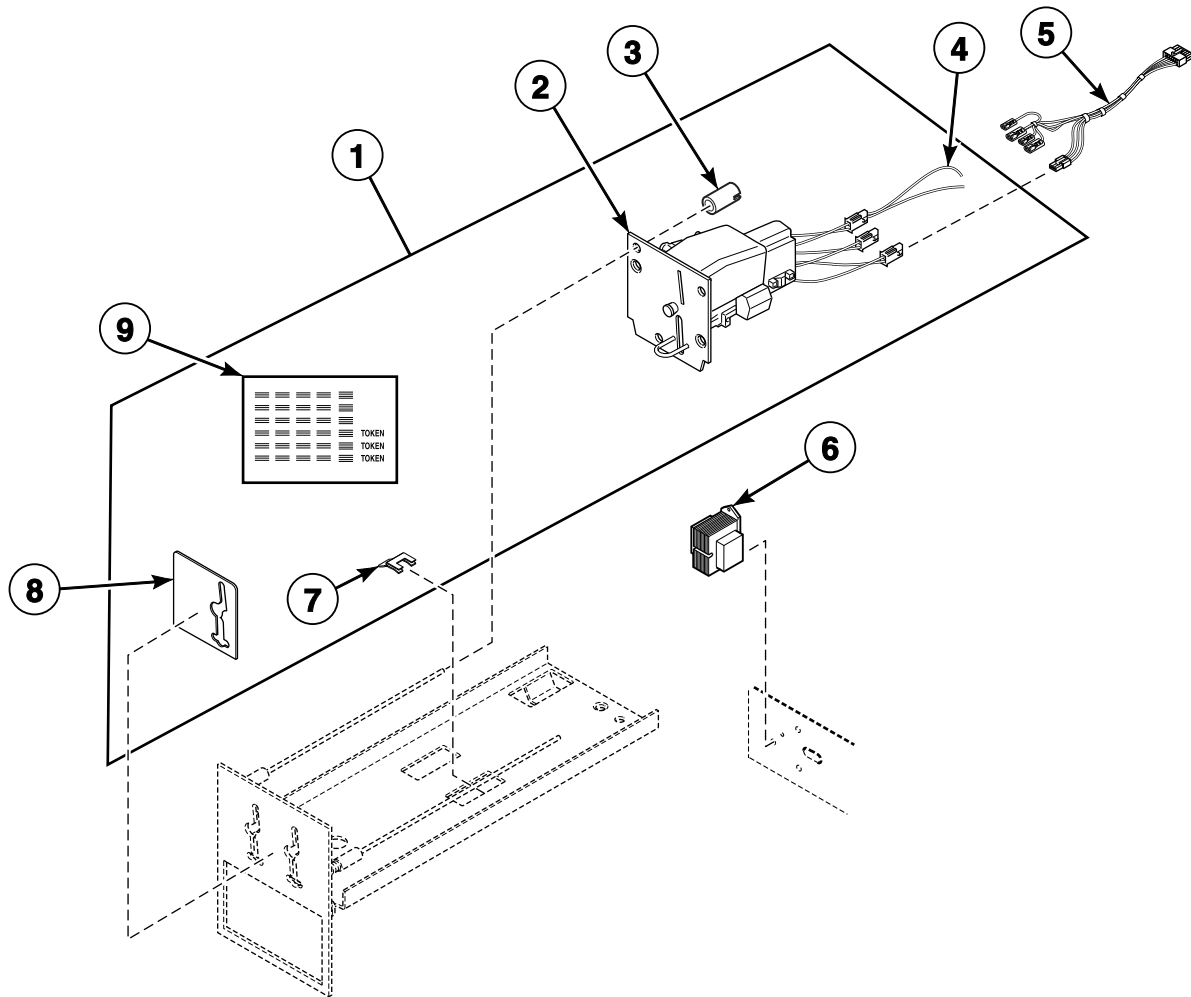
REF	PART NO.	DESCRIPTION	COMMENTS
1	70441601P	Coin Drop	U.S.A.; \$.25
	70441603	Coin Drop	U.S.A.; \$.25 and 1.00
	CK090	Coin Drop Kit	U.S.A.; \$.25 and 1.00; Use to convert existing single \$.25 drop to dual \$.25/1.00 drop
	70441602	Coin Drop Assembly	Canada; .25 and 1.00
	38464P	Coin Drop Assembly	Canada; .25
	38467	Coin Drop Assembly	Australia; .20 and 1.00
	70447301	Coin Drop Assembly	Australia; 1.00 and 2.00
	38472	Coin Drop Assembly	England; 20 pence and 1 pound
	38519	Coin Drop Assembly	Japan; 100 yen and 500 yen
	38521	Coin Drop Assembly	Korea; 100 won and 500 won
	N/A	Coin Drop Assembly	New Zealand; .20 and 1.00
	70482401	Coin Drop Assembly	New Zealand; 1.00 and 2.00
	CK114	Coin Drop Assembly	Singapore; Old 1.00
	CK123	Coin Drop Kit	Singapore; New 1.00
	38462P	Coin Drop Assembly	Token; STD-118-1; .880 diameter x .079 thick; Brass
	38463	Coin Drop Assembly	Token; STD-118-5; .990 diameter x .081 thick; Silver
	38963P	Coin Drop	Token 118-16 not available; Replacement for 38963P Coin Drop only
	2	200674P	Opto Coupler
3	802904P	Harness Assembly	Models BFNBCFSG111TN01, BFNBCFSG111TW01, BFNBCFSG112TN01, BFNBCFSG112TW01, BFNBCFSP112TW01, HFNBCFSG111TN01, HFNBCFSP111TN01, HWFB71*N, HWFT71*N, HWFT73*N, SFNBCFSG112TQ01, SFNBCFSG112TW01, SFNBCFSP112TQ01, SFNBCFSP112TW01, SFNCCFSP111TW01, SWFB71*N, SWFB72*N, SWFB73*N, SWFT71*N and SWFT73*N
	802905	Harness Assembly	All other models; Use with dual drops
4	29786	Nut	
5	201595P	Wire Guard	Anti-stringing security device
6	38725	Coin Identification Paper	

\* Add Letter To Designate Color. N - Stainless Steel Q - Bisque W - White

N/A = Part no longer available

# Electronic Coin Drop

Models BFNBCFSG111TN01, BFNBCFSG111TW01, BFNBCFSG112TN01, BFNBCFSG112TW01, BFNBCFSP112TW01, BFNBEFSP111CN01, BFNBEFSP111CW01, BFNBEFSP111TN01, BFNBEFSP111TW01, BFNBEFSP112CN01, BFNBEFSP112CW01, BFNBFSP112FW01, BFNBFSP302AW01, BWF71\*N1127, BWF71\*N3050, BWF74\*N4000, BWF75\*N4000, HFNBCFSG111TN01, HFNBCFSG112TN01, HFNBCFSG112TQ01, HFNBCFSG112TW01, HFNBCFSP111TN01, HFNBCFSP112TN01, HFNBCFSP112TQ01, HFNBCFSP112TW01, HFNBCRSP112TW01, HFNBDFSG112CW01, HFNBDFSP112CW01, HFNBDRSP112CW01, HFNBDFSP112CW01, HFNBERSP112CW01, HFNBXFSP112CW01, HFNBXFSP112FQ01, HFNBXFSP122DW01, HFNBXFSP302NW22, HFNBXFSP542DW01, HFNBXRSP112FW28, HFNCXFSP111CW01, HFNCXRSP111CW01, HWFB71\*N, HWFB71\*N1102, HWFR71\*N1102, HWFT71\*N, HWFT71\*N1102, HWFT73\*N, HWFT73\*N1102, HWFX71\*N1102, HWFX71\*N1127, HWRR71\*N1102, HWRT71\*N, HWRT71\*N1102, HWRX71\*N1102, NWF74\*N4000, NWF75\*N4000, SFNBCFSG112TQ01, SFNBCFSG112TW01, SFNBCFSP112TQ01, SFNBCFSP112TW01, SFNBCRSP111TW02, SFNBCRSP112TW01, SFNBCRSP112TW02, SFNBXFG082JW01, SFNBXFG112TQ01, SFNBXFG112TW01, SFNBXFSP112TQ01, SFNBXFSP112TW01, SFNBXFSP122DW01, SFNBXFSP301NW22, SFNBXFSP302AW01, SFNBXFSP302NQ01, SFNBXFSP302NW01, SFNBXFSP302NW22, SFNBXFSP542DW01, SFNBXRSP112TW01, SFNBXRSP112TW02, SFNCCFSP111TW01, SFNCCRSP111TW01, SFNCCRSP111TW02, SFNCXRSP111TW02, SWFA71\*N, SWFA71\*N3050, SWFA71\*N3069, SWFA73\*N, SWFB71\*N, SWFB72\*N, SWFB73\*N, SWFT71\*N, SWFT73\*N, SWFX71\*N, SWFX71\*N1127, SWFX71\*N3000, SWFX71\*N3050, SWFX71\*N3051, SWFX71\*N5400, SWFX73\*N, SWFX74\*N4000, SWFX75\*N4000, SWRB71\*N, SWRT71\*N, SWRT73\*N and SWRX71\*N



FLW1005P\_802739

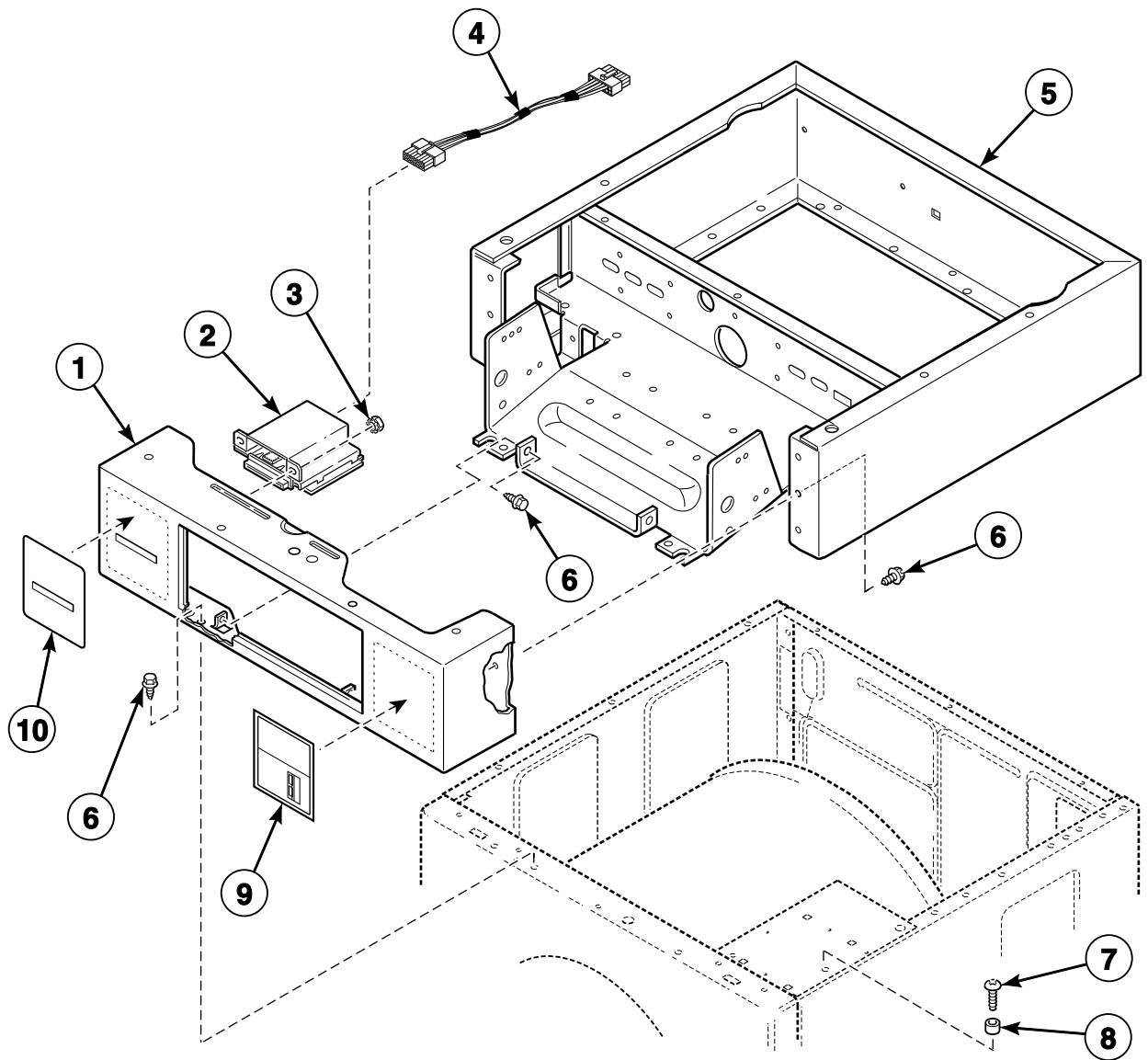
# Electronic Coin Drop

REF	PART NO.	DESCRIPTION	COMMENTS
1	CK115	Electronic Coin Drop Kit	Includes items 2-4 and 7-9; United States and Canada coins
	CK113	Electronic Coin Drop Kit	Includes items 2-4 and 7-9; Japan and Taiwan coins
	CK099	Electronic Coin Drop Kit	Includes items 2-4 and 7-9; Australia, New Zealand, Hong Kong, South Korea and Malaysia coins
	CK100	Electronic Coin Drop Kit	Includes items 2-4 and 7-9; Euro and Great Britain coins
	CK101	Electronic Coin Drop Kit	Includes items 2-4 and 7-9; Euro, Denmark and Norway coins
	CK103	Electronic Coin Drop Kit	Includes items 2-4 and 7-9; Euro, Lithuania and Latvia coins
	CK106	Electronic Coin Drop Kit	Includes items 2-4 and 7-9; Malaysia, China, Russia and Singapore coins
	CK125	Electronic Coin Drop Kit	Includes items 2-4 and 7-9; South African 1, 2 and 5 rand coins
	CK109	Electronic Coin Drop Kit	Includes items 2-4 and 7-9; Euro coins
	CK110	Electronic Coin Drop Kit	Includes items 2-4 and 7-9; Mexico, Ecuador and United States coins
	CK120	Electronic Coin Drop Kit	Includes items 2-4 and 7-9; Chile coins
	CK121	Electronic Coin Drop Kit	Includes items 2-4 and 7-9; Singapore coins
2	70513302	Electronic Coin Drop Assembly	Euro and Great Britain coins
	70294122	Electronic Coin Drop Assembly	Great Britain coins
	70294104	Electronic Coin Drop Assembly	Euro, Denmark and Norway coins
	70294107	Electronic Coin Drop Assembly	Euro, Lithuania and Latvia coins
	70294109	Electronic Coin Drop Assembly	Malaysia, China, Russia and Singapore coins
	70294110	Electronic Coin Drop Assembly	South African 1, 2 and 5 rand coins
	70294111	Electronic Coin Drop Assembly	Euro coins
	70513306	Electronic Coin Drop Assembly	Mexico, Ecuador and United States coins
	70294120	Electronic Coin Drop Assembly	Chile coins
70294121	Electronic Coin Drop Assembly	Singapore coins	
3	201216	Nut	Slotted nut; Use on front control models with guide rods through Serial No. 1007022688 and all rear control models
	29786	Nut	Hex nut; Use on front control models with no guide rods; Models starting Serial No. 1007022689
4	201104	Coin Drop Wire Harness	
5	802905	Harness Assembly	Electronic coin drop requires this harness. If unit is not factory-equipped with this harness, it must be ordered separately.
6	201375P	Transformer	Electronic coin drop requires this transformer. If unit is not factory-equipped with this transformer, it must be ordered separately.
7	201572	Clip	
8	201091	Overlay	
9	38725	Coin Identification Paper	

\* Add Letter To Designate Color. N - Stainless Steel Q - Bisque W - White

# Wrapper Assembly and Card Reader

Models BFNBYFSP112TW01, HFNBYSFG112CW01, HFNBYSFP112CW01, HWFY71\*N1102, HWFY73\*N1102, HWFY74\*N4000, HWFY75\*N4000, SFNBYSFG112TW01, SFNBYSFP112TW01, SFNCYFSP111TW01, SWFF71\*N, SWFF71\*N3050, SWFF73\*N, SWFY71\*N and SWFY73\*N



FLW898P\_802739

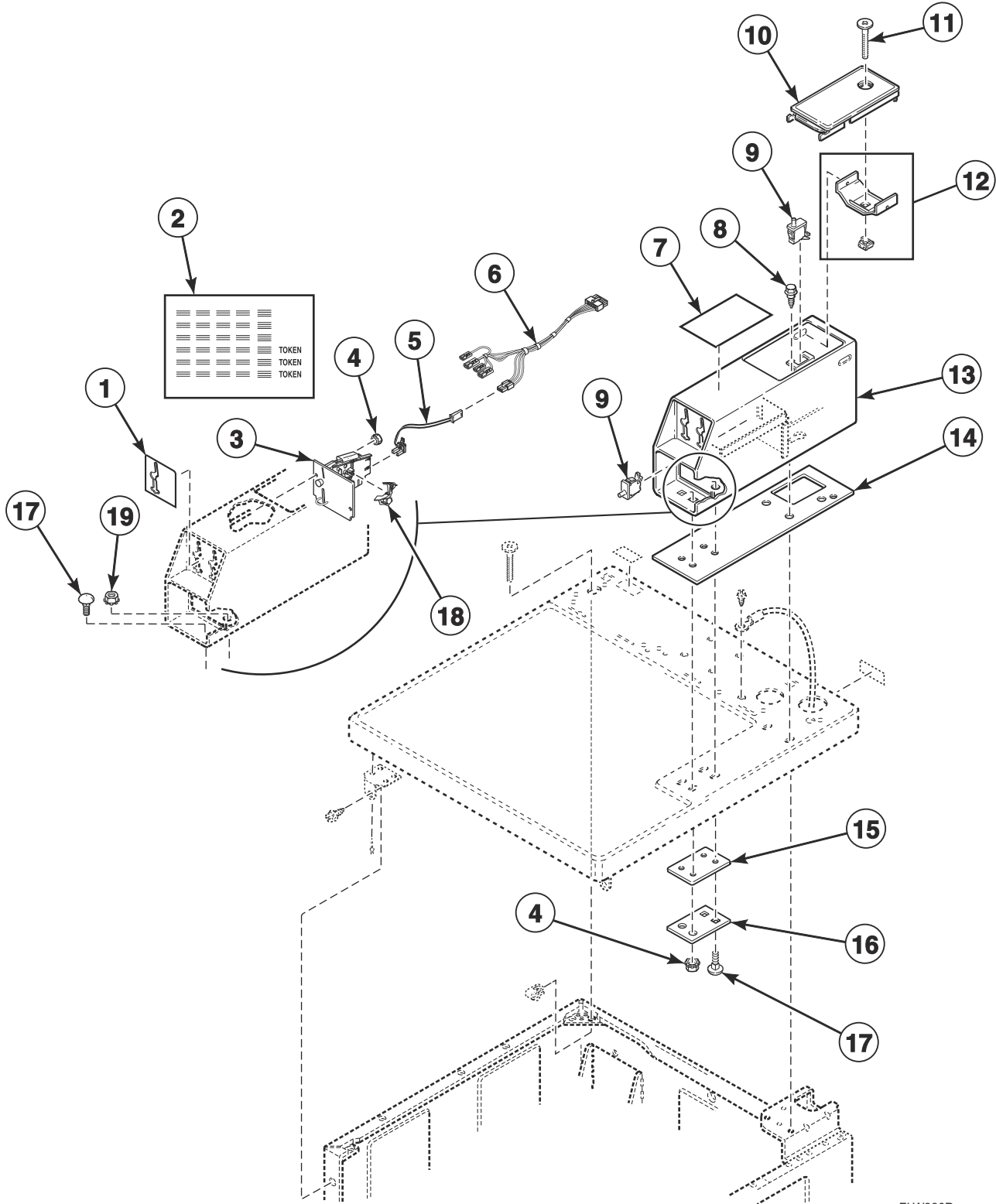
## Wrapper Assembly and Card Reader

REF	PART NO.	DESCRIPTION	COMMENTS
1	D511209WP	Security Cabinet Front Assembly	White
	D511209Q	Security Cabinet Front Assembly	Bisque
2	D510068P	Card Reader and Bracket Assembly	Models SWFF71*N, SWFF71*N3050 and SWFF73*N
3	70054	Nut	
4	800125P	Card Reader Wire Harness Assembly	Models SWFF71*N, SWFF71*N3050 and SWFF73*N
5	801235W	Security Cabinet Wrapper Assembly	White; Models HWFY74*N4000 and HWFY75*N4000
	801235Q	Security Cabinet Wrapper Assembly	Bisque; Models HWFY74*N4000 and HWFY75*N4000
	D505753WP	Wrapper and Channel Assembly	White; All other models
	D505753QP	Wrapper and Channel Assembly	Bisque; All other models
6	D503688	Screw	
7	39733	Screw	
8	56079	Panel Locator	
9	801217	Operating Instruction Label	Models HWFY74*N4000, HWFY75*N4000 and SWFF71*N3050
	803594	Operating Instruction Label	French/English; Models HFNBYSFG112CW01, HFNBYSFSP112CW01, HWFY71*N1102 and HWFY73*N1102
	685942	Instruction Label	All other models
10	D511548	Card Insert Overlay	Models HFNBYSFG112CW01, HFNBYSFSP112CW01, HWFY71*N1102, HWFY73*N1102, HWFY74*N4000 and HWFY75*N4000
	800230	Card Reader Overlay	Models SWFF71*N, SWFF71*N3050 and SWFF73*N
	D511544	Card Insert Overlay	Models BFNBYSFSP112TW01, SFNBYSFG112TW01, SFNBYSFSP112TW01, SFNCYFSP111TW01, SWFY71*N and SWFY73*N
	210131	Overlay	Models HWFY74*N4000 and HWFY75*N4000

\* Add Letter To Designate Color. Q - Bisque W - White

# Non-Electronic Coin Drop, Meter Case and Service Door

Models HFNBCRSP112TW01, HFNBDRSP112CW01, HFNBERSP112CW01, HFNBXRSP112FW28, HFNCXRSP111CW01, HWRR71\*N1102, HWRT71\*N, HWRT71\*N1102, HWRX71\*N1102, SFNBCRSP111TW02, SFNBCRSP112TW01, SFNBCRSP112TW02, SFNBXRSP112TW01, SFNBXRSP112TW02, SFNCCRSP111TW01, SFNCCRSP111TW02, SFNCXRSP111TW02, SWRB71\*N, SWRT71\*N, SWRT73\*N and SWRX71\*N



FLW980P



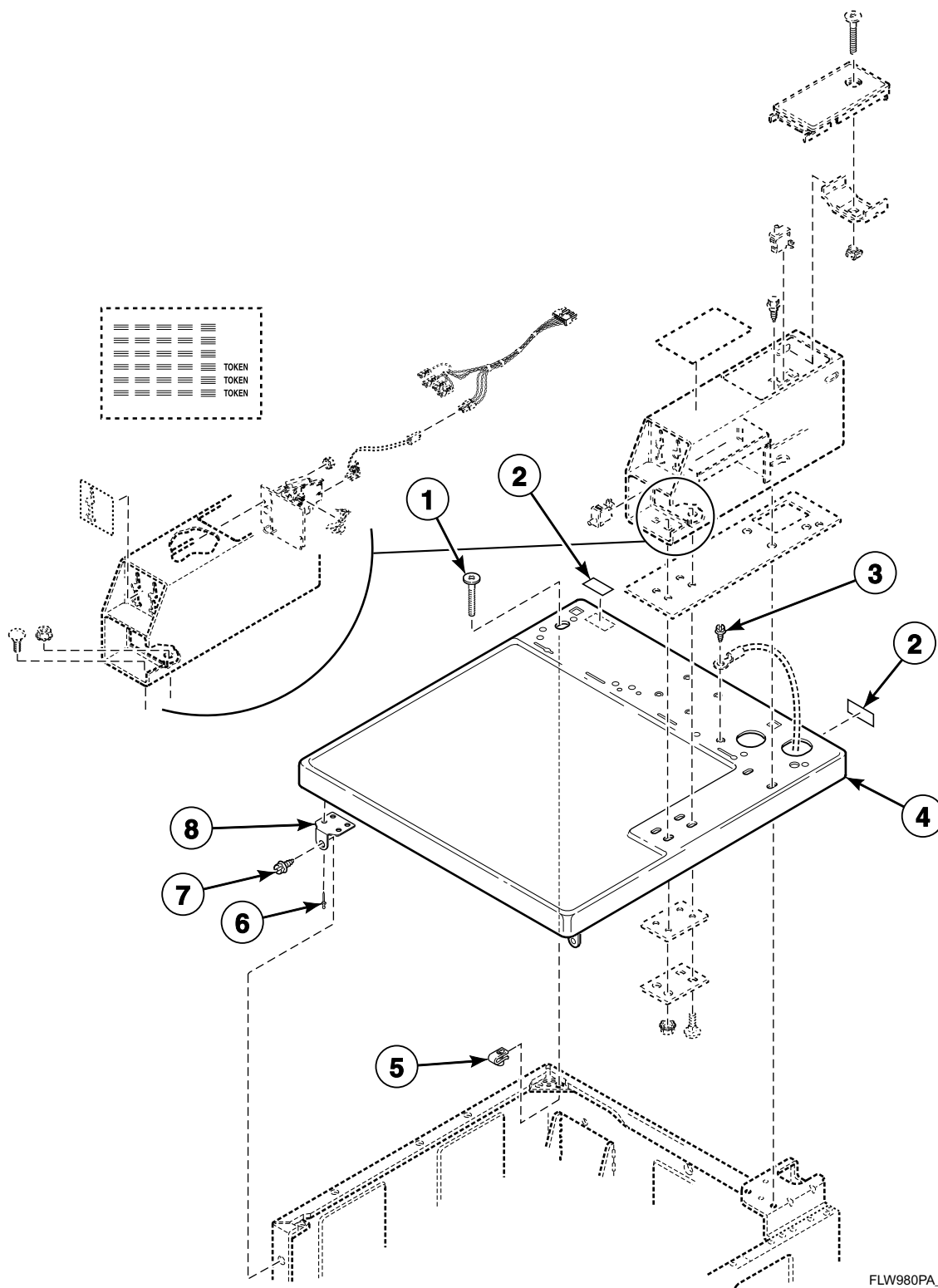
# Non-Electronic Coin Drop, Meter Case and Service Door

REF	PART NO.	DESCRIPTION	COMMENTS
1	202123	Single Overlay	Models SFNBCRSP111TW02 and SFNCCRSP111TW02; Models through Serial No. 1010011547
	38717	Single Overlay	Models HFNBCRSP112TW01, HFNBXRSP112FW28, HWRT71*N, SFNBCRSP112TW01, SFNBCRSP112TW02, SFNBXRSP112TW01, SFNBXRSP112TW02, SFNCCRSP111TW01, SWRB71*N, SWRT71*N, SWRT73*N and SWRX71*N; Models SFNBCRSP111TW02 and SFNCCRSP111TW02 starting Serial No. 1010011548
	39073	Dual Overlay	Models HFNBDRSP112CW01, HFNBERSP112CW01, HFNCXRSP111CW01, HWRT71*N1102 and HWRX71*N1102
2	38725	Coin Identification Paper	
3	70441601P	Coin Drop	Models HFNBCRSP112TW01, HFNBXRSP112FW28, HWRT71*N, SFNBCRSP112TW01, SFNBCRSP112TW02, SFNBXRSP112TW01, SFNBXRSP112TW02, SFNCCRSP111TW01, SFNCCRSP111TW02, SFNCXRSP111TW02, SWRB71*N, SWRT71*N, SWRT73*N and SWRX71*N
	70441602	Coin Drop Assembly	Models HFNBDRSP112CW01, HFNBERSP112CW01, HFNCXRSP111CW01, HWRT71*N1102 and HWRX71*N1102
4	29786	Nut	
5	200674P	Opto Coupler	
6	802905	Harness Assembly	Models HFNBDRSP112CW01, HFNBERSP112CW01, HFNBXRSP112FW28, HFNCXRSP111CW01, HWRR71*N1102, HWRT71*N1102, HWRX71*N1102, SFNBXRSP112TW01, SFNBXRSP112TW02, SFNCXRSP111TW02 and SWRX71*N
	802904P	Harness Assembly	Models HFNBCRSP112TW01, HWRT71*N, SFNBCRSP111TW02, SFNBCRSP112TW01, SFNBCRSP112TW02, SFNCCRSP111TW01, SFNCCRSP111TW02, SWRB71*N, SWRT71*N and SWRT73*N
7	803595	Operating Instruction Label	French/English; Models HFNBDRSP112CW01, HFNBERSP112CW01, HFNCXRSP111CW01, HWRR71*N1102, HWRT71*N1102 and HWRX71*N1102
	800137	Rear Control Operating Instruction Label	All other models
8	36048	Screw	
9	D512973	Switch	
10	803043WP	Service Door Assembly	Models SFNBCRSP111TW02, SFNCCRSP111TW02 and SFNCXRSP111TW02; Models through Serial No. 1010011547
	39874WP	Service Door Assembly	White; All other models
	39874QP	Service Door Assembly	Bisque; All other models
11	D503673	Screw	All models except SFNBCRSP111TW02, SFNCCRSP111TW02 AND SFNCXRSP111TW02 through Serial No. 1010011547
12	204616	Meter Case Locking Bracket Kit	All models except SFNBCRSP111TW02, SFNCCRSP111TW02 AND SFNCXRSP111TW02 through Serial No. 1010011547
13	807401W	Meter Case Assembly Kit	Models SFNBCRSP111TW02, SFNBCRSP112TW02, SFNBXRSP112TW02, SFNCCRSP111TW02 and SFNCXRSP111TW02
	803578P	Coin Box Extension Kit	Use with 803063W Meter Case Assembly to extend shorter 7-inch coin boxes; Models SFNBCRSP111TW02, SFNCCRSP111TW02 and SFNCXRSP111TW02 starting Serial No. 1010011548
	807406W	Meter Case Assembly	White; Model HWRR71*N1102
	802505Q	Meter Case Assembly	Bisque; Model HWRR71*N1102
	202877W	Meter Case Assembly	White; All other models
	202877Q	Meter Case Assembly	Bisque; All other models
14	26354	Meter Case Gasket	
15	35526	Meter Case Bracket Gasket	
16	35525	Meter Case Lockdown Bracket	
17	203798	Bolt	
18	201595P	Wire Guard	Anti-stringing security device
19	802337	Nut	

\* Add Letter To Designate Color. Q - Bisque W - White

# Cabinet Top

Models HFNBCRSP112TW01, HFNBDRSP112CW01, HFNBERSP112CW01, HFNBXRSP112FW28, HFNCXRSP111CW01, HWRR71\*N1102, HWRT71\*N, HWRT71\*N1102, HWRX71\*N1102, SFNBCRSP111TW02, SFNBCRSP112TW01, SFNBCRSP112TW02, SFNBXRSP112TW01, SFNBXRSP112TW02, SFNCCRSP111TW01, SFNCCRSP111TW02, SFNCXRSP111TW02, SWRB71\*N, SWRT71\*N, SWRT73\*N and SWRX71\*N



FLW980PA\_802739

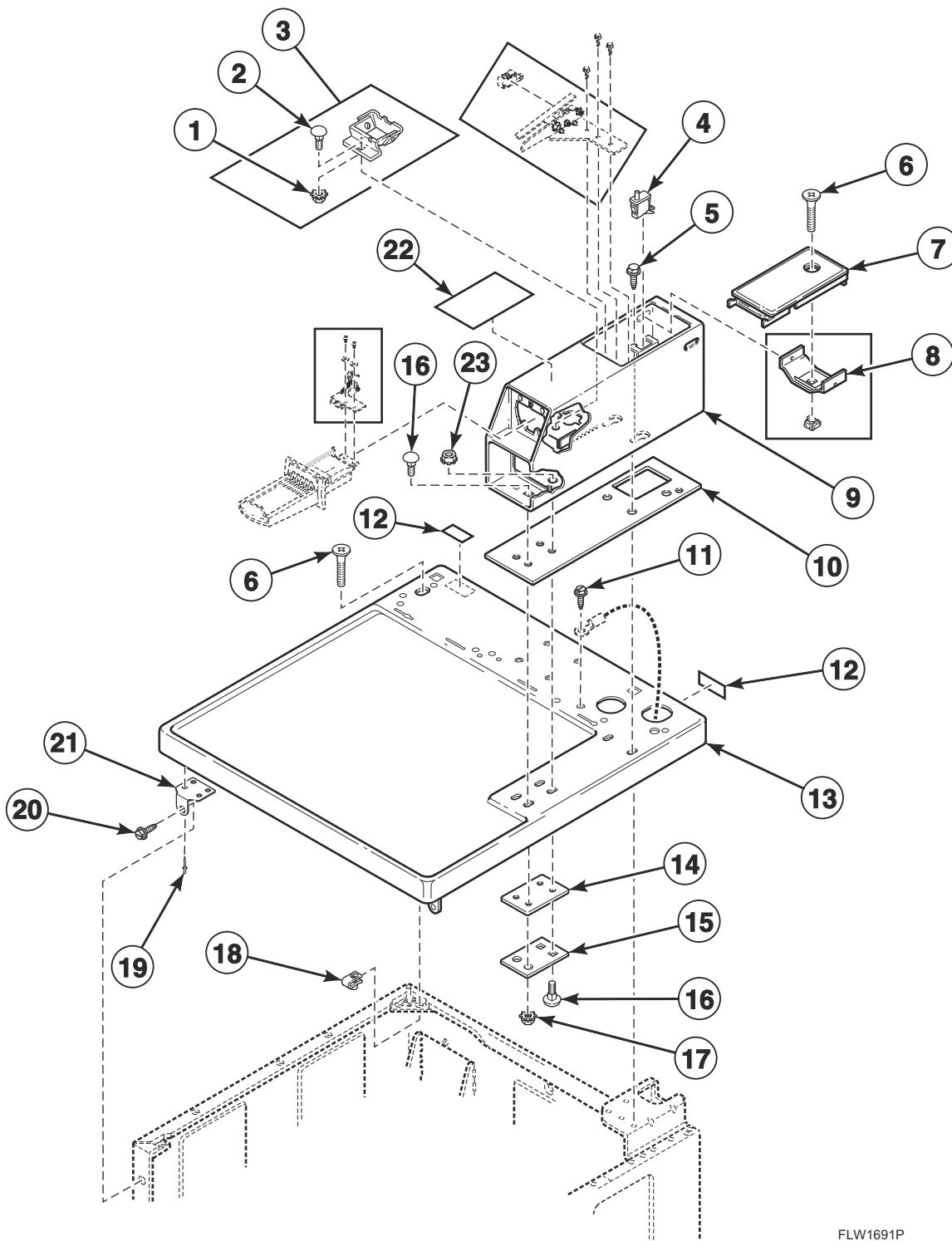
# Cabinet Top

REF	PART NO.	DESCRIPTION	COMMENTS
1	D503673	Screw	All models except SFNBCRSP111TW02, SFNBCRSP112TW02, SFNBXRSP112TW02, SFNCCRSP111TW02 and SFNCXRSP111TW02
2	D500316	Warning Label	Models HFNBDRSP112CW01, HFNBERSP112CW01, HFNCXRSP111CW01, HWRR71*N1102, HWRT71*N1102 and HWRX71*N1102
	D505281	Disconnect Power Warning Label	All other models
3	20530	Screw	
4	D511527WP	Top Kit	White
	D511527QP	Top Kit	Bisque
5	27222	Nut	
6	70058501	Pop Rivet	
7	D503661	Screw	
8	D510146	Bracket	

\* Add Letter To Designate Color. Q - Bisque W - White

# Meter Case, Service Door and Cabinet Top

Models HFNSXRSP112CW01, HWR971\*N1102, HWR971\*N1127, HWR973\*N1102, SFNSXRSP111TW02, SFNSXRSP112TQ01, SFNSXRSP112TW01, SFNSXRSP112TW02, SFNSXRSP541NQ23, SFNSXRSP541NW23, SFNTRSP111TW01, SFNTRSP111TW02, SWR971\*N and SWR973\*N



FLW1691P

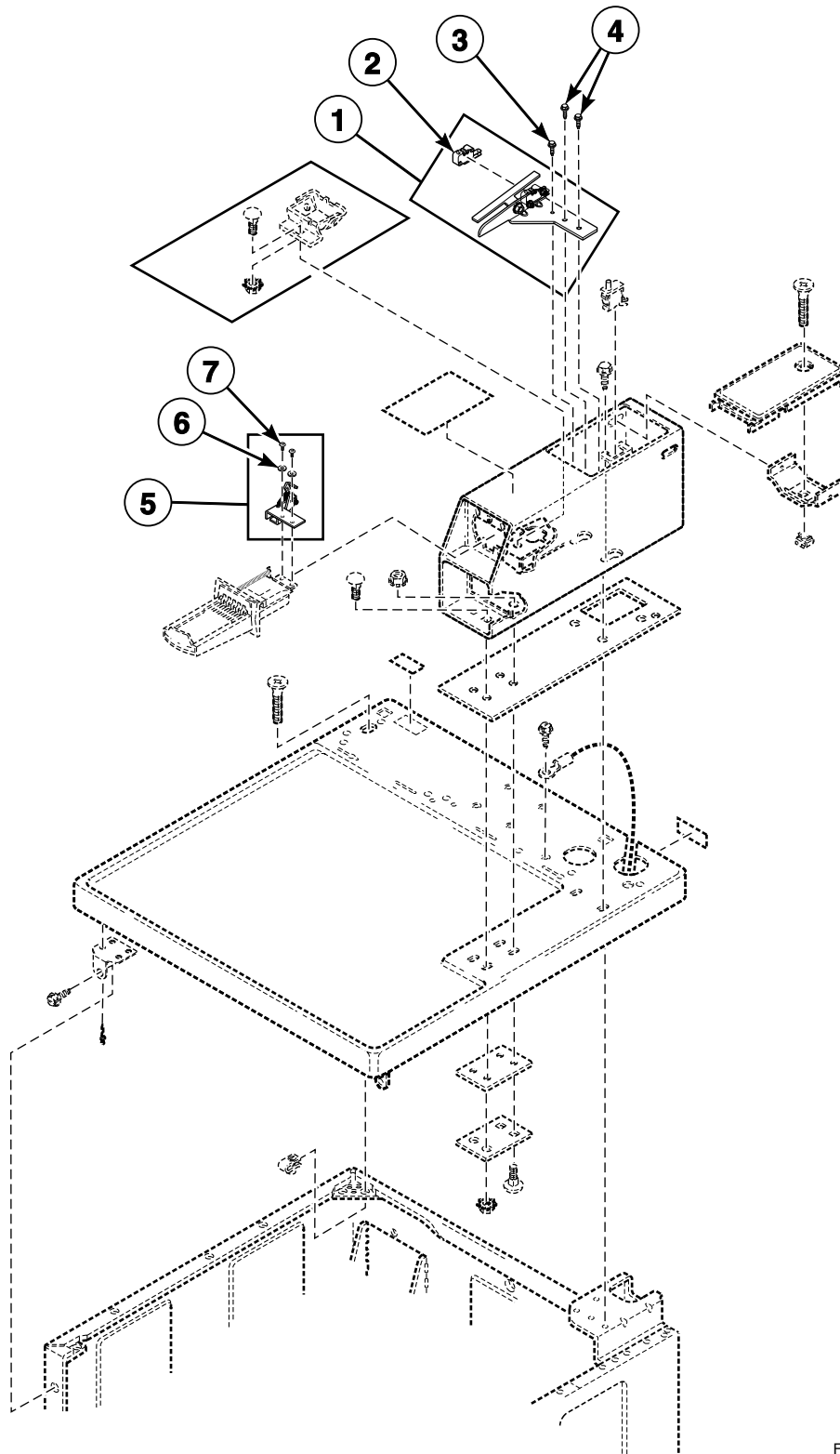
## Meter Case, Service Door and Cabinet Top

REF	PART NO.	DESCRIPTION	COMMENTS
1	M412986	Nut	All models except SFNSXRSP111TW02 and SFNTRSP111TW02 through Serial No. 1010011547
2	29651	Bolt	All models except SFNSXRSP111TW02 and SFNTRSP111TW02 through Serial No. 1010011547
3	523P3	Coin Funnel Kit	All models except SFNSXRSP111TW02 and SFNTRSP111TW02 through Serial No. 1010011547
4	D512973	Switch	
5	36048	Screw	
6	D503673	Screw	All models except SFNSXRSP111TW02 and SFNTRSP111TW02 through Serial No. 1010011547
7	803043WP	Service Door Assembly	Models SFNSXRSP111TW02 and SFNTRSP111TW02; Models through Serial No. 1010011547
	39874WP	Service Door Assembly	White; All other models
	39874QP	Service Door Assembly	Bisque; All other models
8	204616	Meter Case Locking Bracket Kit	All models except SFNSXRSP111TW02 and SFNTRSP111TW02 through Serial No. 1010011547
9	803042W	Meter Case Assembly	Models SFNSXRSP111TW02 and SFNTRSP111TW02; Models through Serial No. 1010011547
	803575W	Meter Case Assembly	Models SFNSXRSP111TW02 and SFNTRSP111TW02; Models starting Serial No. 1010011548
	801330W	Meter Case Assembly	White; All other models
	801330Q	Meter Case Assembly	Bisque; All other models
10	26354	Meter Case Gasket	
11	20530	Screw	
12	D500316	Warning Label	Models HFNSXRSP112CW01, HWR971*N1102 and HWR973*N1102
	D505281	Disconnect Power Warning Label	All other models
13	D511527WP	Top Kit	White
	D511527QP	Top Kit	Bisque
14	35526	Meter Case Bracket Gasket	
15	35525	Meter Case Lockdown Bracket	
16	203798	Bolt	
17	29786	Nut	
18	27222	Nut	
19	70058501	Pop Rivet	
20	D503661	Screw	
21	D510146	Bracket	
22	803595	Operating Instruction Label	French/English; Models HFNSXRSP112CW01, HWR971*N1102 and HWR973*N1102
	800137	Rear Control Operating Instruction Label	All other models
23	802337	Nut	

\* Add Letter To Designate Color. Q - Bisque W - White

# Coin Slide Extension Through Serial No. 1211

Models HWR971\*N1102, HWR971\*N1127, HWR973\*N1102, SFNSXRSP112TW02, SFNSXRSP541NQ23, SFNSXRSP541NW23, SFNTRSP111TW01, SFNTRSP111TW02, SWR971\*N and SWR973\*N



FLW1691PA\_802739

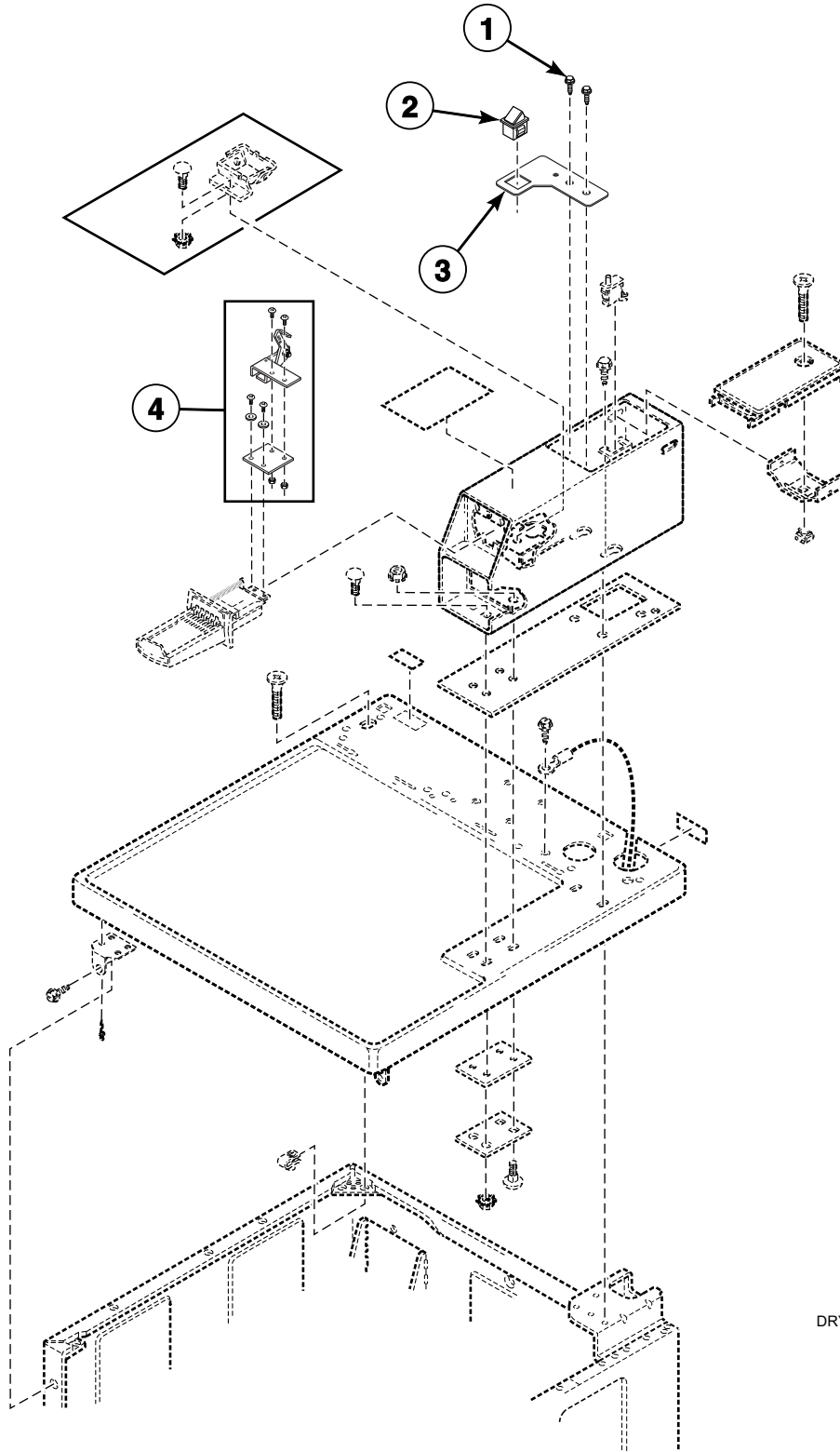
## Coin Slide Extension Through Serial No. 1211

REF	PART NO.	DESCRIPTION	COMMENTS
1	D514228	Coin Slide Extension Kit	Includes item 2; All models except SFNSXRSP111TW02 and SFNTRSP111TW02 through Serial No. 1010011547
2	201952	Switch	All models except SFNSXRSP111TW02 and SFNTRSP111TW02 through Serial No. 1010011547
3	51782	Screw	All models except SFNSXRSP111TW02 and SFNTRSP111TW02 through Serial No. 1010011547
4	D503688	Screw	
5	200913	Coin Slide Extension Kit	All models except SFNSXRSP111TW02 and SFNTRSP111TW02 through Serial No. 1010011547
6	03815	Washer	All models except SFNSXRSP111TW02 and SFNTRSP111TW02 through Serial No. 1010011547
7	27328	Screw	All models except SFNSXRSP111TW02 and SFNTRSP111TW02 through Serial No. 1010011547

\* Add Letter To Designate Color. Q - Bisque W - White

# Coin Slide Extension Starting Serial No. 1211

Models HFNSXRSP112CW01, HWR971\*N1102, HWR971\*N1127, HWR973\*N1102, SFNSXRSP111TW02, SFNSXRSP112TQ01, SFNSXRSP112TW01, SFNSXRSP112TW02, SFNSXRSP541NQ23, SFNSXRSP541NW23, SFNTRSP111TW01, SFNTRSP111TW02, SWR971\*N and SWR973\*N



DRY2282P\_802739



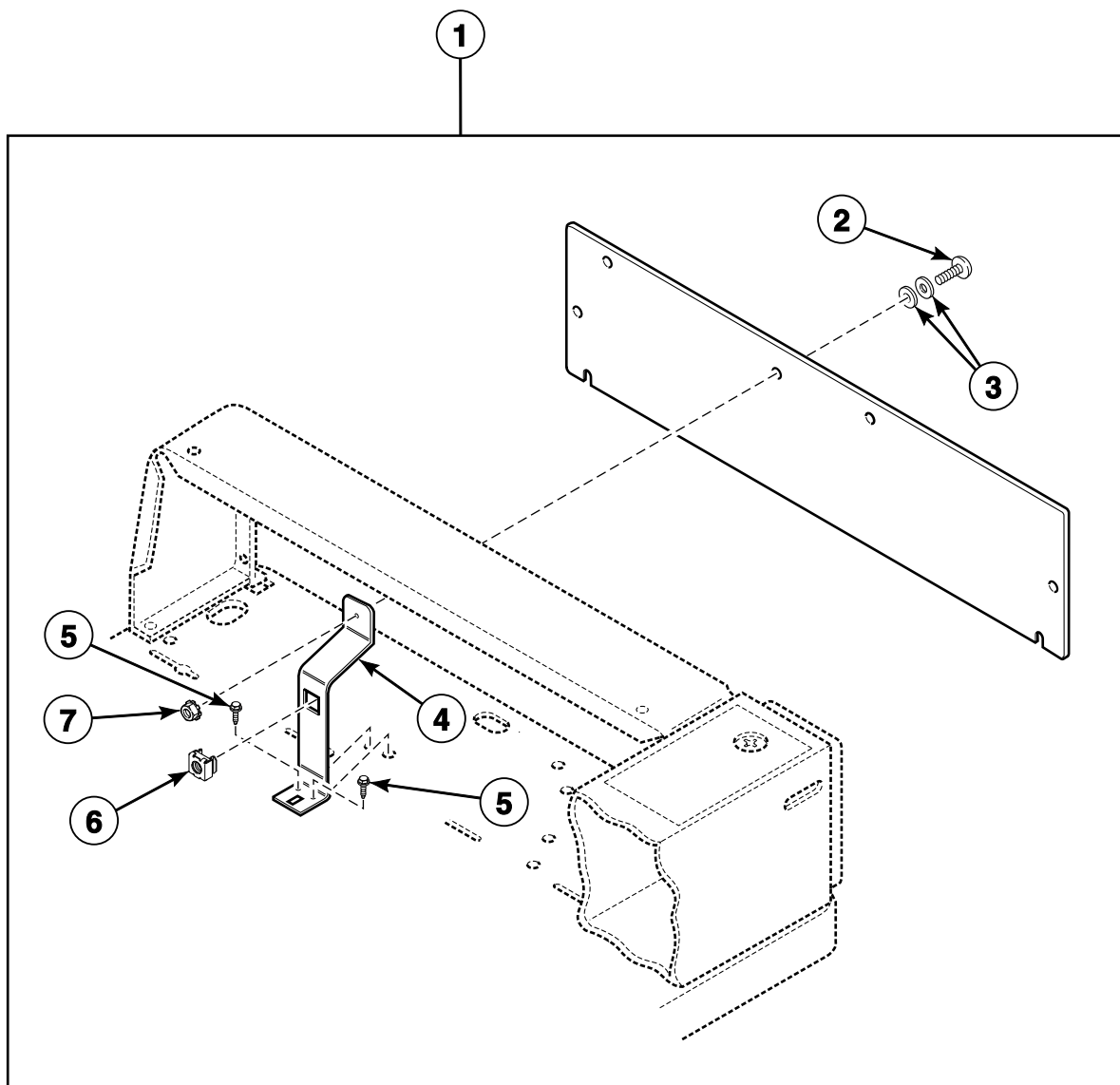
## Coin Slide Extension Starting Serial No. 1211

REF	PART NO.	DESCRIPTION	COMMENTS
1	D503688	Screw	
2	431159	Switch	
3	803662	Bracket	
4	200913	Coin Slide Extension Kit	Includes spring and items 2 and 3
	804794	Spring	

\* Add Letter To Designate Color. Q - Bisque W - White

# Control Hood Security Kit

Models HFNBCRSP112TW01, HFNBDRSP112CW01, HFNBERSP112CW01, HFNBXRSP112FW28,  
HFNCXRSP111CW01, HWRR71\*N1102, HWRT71\*N, HWRT71\*N1102, HWRX71\*N1102,  
SFNBCRSP111TW02, SFNBCRSP112TW01, SFNBCRSP112TW02, SFNBXRSP112TW01,  
SFNBXRSP112TW02, SFNCCRSP111TW01, SFNCCRSP111TW02, SFNCXRSP111TW02, SWRB71\*N,  
SWRT71\*N, SWRT73\*N and SWRX71\*N



FLW963P\_802739

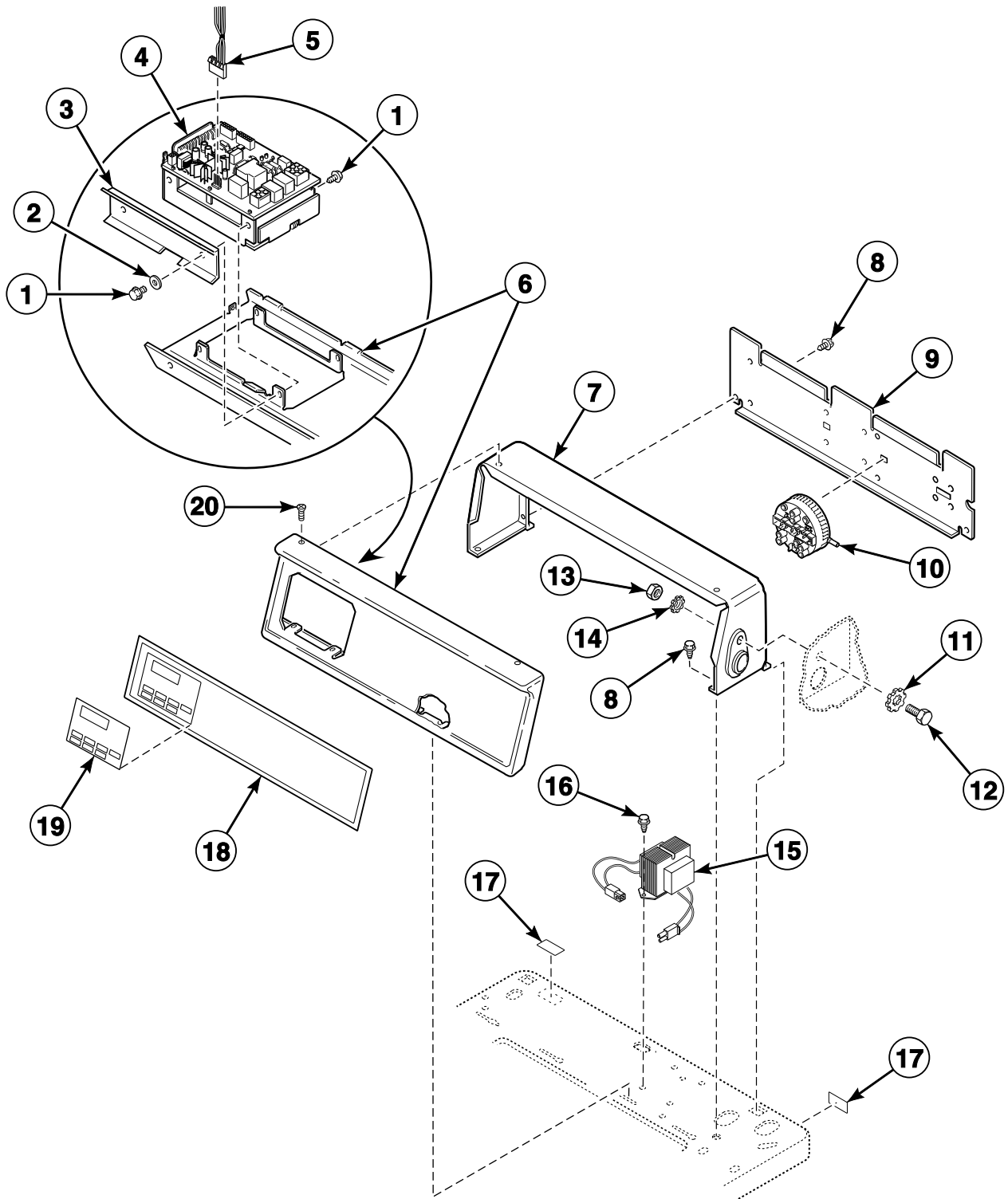
# Control Hood Security Kit

REF	PART NO.	DESCRIPTION	COMMENTS
1	905P3	Security Kit	Includes items 2-7 and rear panel
2	32184	Bolt	
3	25100	Washer	
4	201918	Bracket	
5	D503688	Screw	
6	204616	Meter Case Locking Bracket Kit	
7	23951	Nut	

\* Add Letter To Designate Color. Q - Bisque W - White

# Control Panel, Control Hood and Controls (Drawing 1 of 3)

Models HFNBCRSP112TW01, HFNBDRSP112CW01, HFNBERSP112CW01, HFNBXRSP112FW28, HFNCXRSP111CW01, HWRR71\*N1102, HWRT71\*N, HWRT71\*N1102, HWRX71\*N1102, SFNBCRSP111TW02, SFNBCRSP112TW01, SFNBCRSP112TW02, SFNBXRSP112TW01, SFNBXRSP112TW02, SFNCCRSP111TW01, SFNCCRSP111TW02, SFNCXRSP111TW02, SWRB71\*N, SWRT71\*N, SWRT73\*N and SWRX71\*N



FLW1681P\_802739

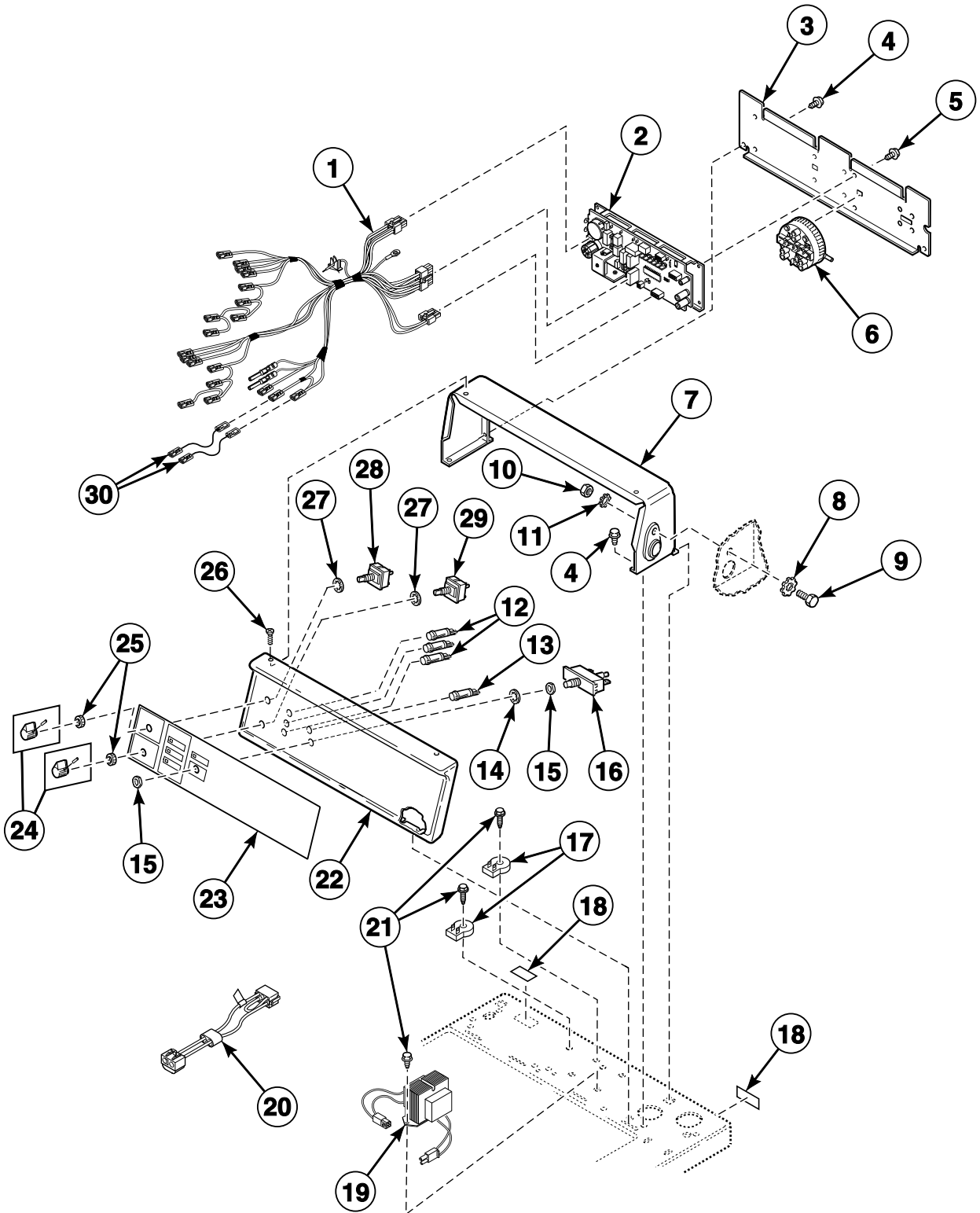
## Control Panel, Control Hood and Controls (Drawing 1 of 3)

REF	PART NO.	DESCRIPTION	COMMENTS
1	D501524	Screw	
2	200608	Washer	
3	210053	Control Shield	
4	800772P	Control Kit	Model SWRB71*N
	803146P	Control Assembly	All other models
5	D511478	Central Pay Harness	All models except SWRB71*N
6	800149W	Control Panel and Bracket Assembly	White
	800149Q	Control Panel and Bracket Assembly	Bisque
7	D502567W	Control Hood	White
	D502567Q	Control Hood	Bisque
8	D501086	Screw	
9	D505798	Hood Back Plate	
10	802299P	Pressure Switch	
11	M400017	Washer	
12	02916	Screw	
13	52566	Nut	
14	02431	Washer	
15	201375P	Transformer	Some models may have jumper wire attached to transformer. Discard jumper wire when replacing transformer; Models HFNBDRSP112CW01, HFNBERSP112CW01, HFNBXRSP112FW28, HFNCXRSP111CW01, HWRR71*N1102, HWRX71*N1102, SFNBXRSP112TW01, SFNBXRSP112TW02, SFNCXRSP111TW02 and SWRX71*N
	210018P	Transformer	All other models
16	D503661	Screw	
17	D500316	Warning Label	Models HFNBDRSP112CW01, HFNBERSP112CW01, HFNCXRSP111CW01, HWRR71*N1102, HWRT71*N1102 and HWRX71*N1102
	D505281	Disconnect Power Warning Label	All other models
18	801055	Rear Overlay	Models HFNBDRSP112TW01, HFNBDRSP112CW01, HFNBERSP112CW01, HFNBXRSP112FW28, HFNCXRSP111CW01, HWRR71*N1102, HWRT71*N, HWRT71*N1102 and HWRX71*N1102
	801052	Rear Overlay	Models SFNBDRSP111TW02, SFNBDRSP112TW01, SFNBDRSP112TW02, SFNBXRSP112TW01, SFNBXRSP112TW02, SFNCCRSP111TW01, SFNCCRSP111TW02, SFNCXRSP111TW02, SWRT71*N, SWRT73*N and SWRX71*N
	800414	Graphic Overlay	Model SWRB71*N
19	803597	Overlay	French/English; Models HFNBDRSP112CW01, HFNBERSP112CW01, HFNCXRSP111CW01, HWRR71*N1102, HWRT71*N1102 and HWRX71*N1102
20	52864	Screw	

\* Add Letter To Designate Color. Q - Bisque W - White

# Control Panel, Control Hood and Controls (Drawing 2 of 3)

Models HFNSXRSP112CW01, HWR971\*N1102, HWR971\*N1127, HWR973\*N1102, SFNSXRSP111TW02, SFNSXRSP112TQ01, SFNSXRSP112TW01, SFNSXRSP112TW02, SFNSXRSP541NQ23, SFNSXRSP541NW23, SFNTRSP111TW01, SFNTRSP111TW02, SWR971\*N and SWR973\*N



FLW1679P\_802739

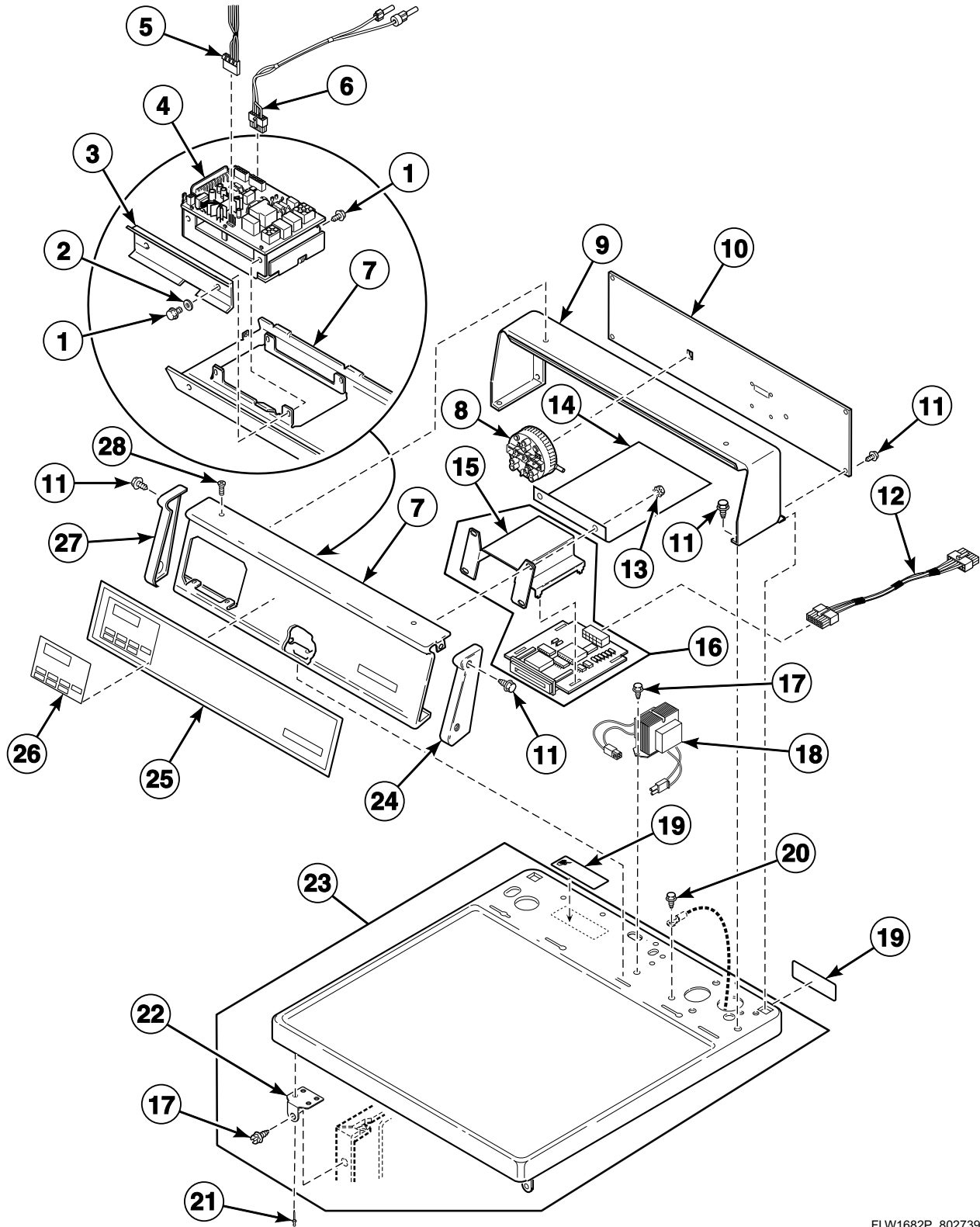
## Control Panel, Control Hood and Controls (Drawing 2 of 3)

REF	PART NO.	DESCRIPTION	COMMENTS
1	802786	Rear Control Panel Harness Assembly	
2	802523P	Control Assembly	
3	801735	Control Hood Back Panel	
4	D501086	Screw	
5	D501524	Screw	
6	802299P	Pressure Switch	
7	D502567W	Control Hood	White
	D502567Q	Control Hood	Bisque
8	M400017	Washer	
9	02916	Screw	
10	52566	Nut	
11	02431	Washer	
12	801431	Light	Green
13	801432	Light	Red
14	25820	Washer	
15	52947	Nut	
16	55882	Switch Assembly	
17	210100	Resistor	Models SFNSXRSP541NQ23 and SFNSXRSP541NW23
18	D500316	Warning Label	Models HFNSXRSP112CW01, HWR971*N1102 and HWR973*N1102
	D505281	Disconnect Power Warning Label	All other models
19	803527P	Transformer	Models SFNSXRSP541NQ23 and SFNSXRSP541NW23
	210018P	Transformer	All other models
20	M413507	Jumper Configuration Assembly	Models SFNSXRSP541NQ23 and SFNSXRSP541NW23; Attaches to transformer
21	D503661	Screw	
22	800142W	Control Panel and Bracket Assembly	White
	800142Q	Control Panel and Bracket Assembly	Bisque
23	801523	Control Panel Overlay	Models HFNSXRSP112CW01, HWR971*N1102, HWR971*N1127 and HWR973*N1102
	801521	Control Panel Overlay	All other models
24	39897	Switch Knob	
25	24205	Nut	
26	52864	Screw	
27	91029	Washer	
28	685595	Temperature Switch	
29	800404	Motor Speed Switch	
30	D513131	Jumper Assembly	Models SFNSXRSP111TW02, SFNSXRSP112TW02 and SFNTRSP111TW02; Control panel harness to coin slide switch

\* Add Letter To Designate Color. Q - Bisque W - White

# Control Panel, Control Hood and Controls (Drawing 3 of 3)

Models HFNBYSRSP112CW01, HWRY71\*N1102, SFNBYSRSP112TW01, SFNCYSRSP111TW01, SWRF71\*N and SWRY71\*N



FLW1682P\_802739

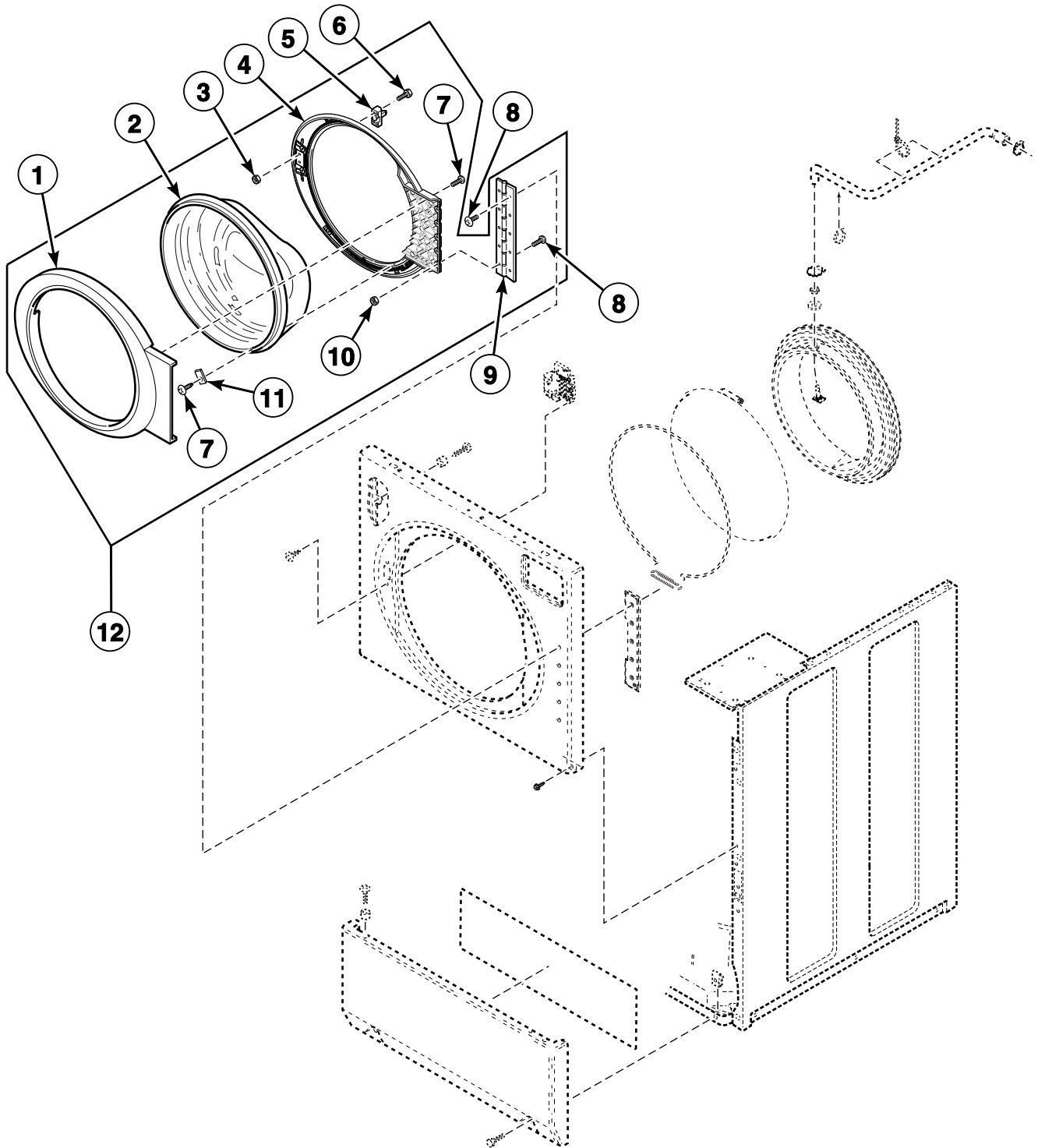


## Control Panel, Control Hood and Controls (Drawing 3 of 3)

REF	PART NO.	DESCRIPTION	COMMENTS
1	D501524	Screw	
2	200608	Washer	
3	210053	Control Shield	
4	800772P	Control Kit	Model SWRF71*N
	803146P	Control Assembly	All other models
5	D511478	Central Pay Harness	Models HWRY71*N1102, SFNCYRSP111TW01 and SWRY71*N
6	202869	Wiring Harness Assembly	
7	800710W	Control Panel and Stud Assembly	White
	800710Q	Control Panel and Stud Assembly	Bisque
8	802299P	Pressure Switch	
9	D511253W	Control Hood	White
	D511253Q	Control Hood	Bisque
10	801165	Rear Control Hood Panel	
11	D501086	Screw	
12	800125P	Card Reader Wire Harness Assembly	Model SWRF71*N
13	70054	Nut	Model SWRF71*N
14	801101	Card Reader Shield	Model SWRF71*N
15	210023	Card Reader Bracket	Model SWRF71*N
16	210045P	Card Reader Assembly	Model SWRF71*N
17	D503661	Screw	
18	210018P	Transformer	Model SWRF71*N
	201375P	Transformer	Models HFNBYSRSP112CW01, HWRY71*N1102, SFNBYSRSP112TW01 and SWRY71*N
19	D500316	Warning Label	Models HFNBYSRSP112CW01 and HWRY71*N1102
	D505281	Disconnect Power Warning Label	All other models
20	20530	Screw	
21	70058501	Pop Rivet	
22	D510146	Bracket	
23	D511530WP	Top Panel Kit	Includes items 17 and 22
24	210108W	End Cap	Right
25	800228	Control Panel Overlay	Model SWRF71*N
	801190	Control Panel Overlay	Models SFNBYSRSP112TW01, SFNCYRSP111TW01 and SWRY71*N
	801191	Control Panel Overlay	Models HFNBYSRSP112CW01 and HWRY71*N1102
26	803597	Overlay	French/English; Models HFNBYSRSP112CW01 and HWRY71*N1102
27	210109W	End Cap	Left
28	52864	Screw	

\* Add Letter To Designate Color. Q - Bisque W - White

# Door Assembly



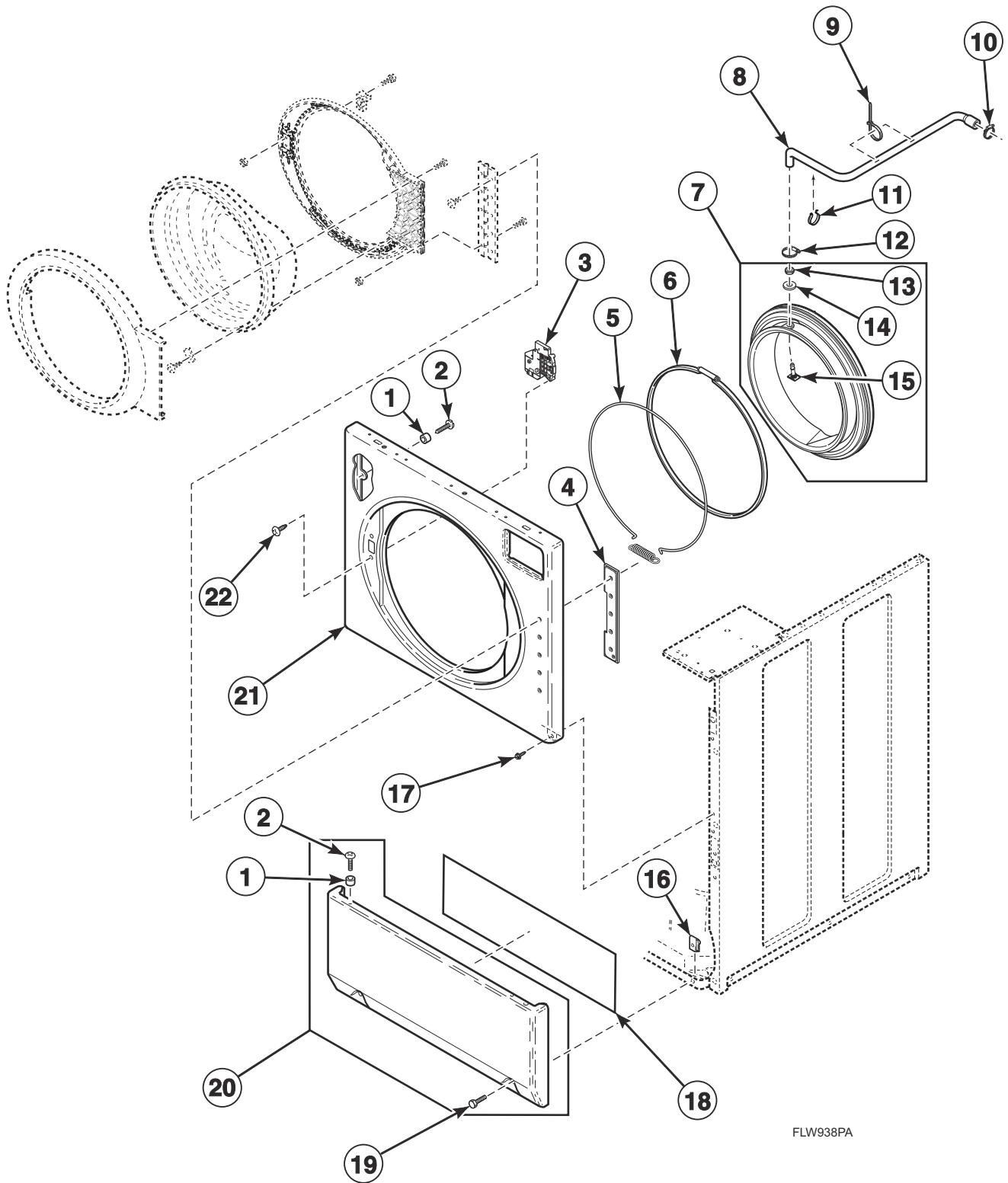
FLW938P\_802739

# Door Assembly

REF	PART NO.	DESCRIPTION	COMMENTS
	807865	Hinge Attachment Kit	
1	802314P	Outer Door Bezel Kit	Gray; Models BFNBCFSG111TN01, BFNBCFSG111TW01, BFNBCFSG112TN01, BFNBCFSG112TW01, BFNBEFSP111CN01, BFNBEFSP111CW01, BFNBEFSP111TN01, BFNBEFSP111TW01, BFNBEFSP112CN01, BFNBEFSP112CW01, BFNBLFSP301AW01, BFNBLFSP302AW01, BFNBLFSP541NW01, BFNBLFSP542NW01, BFNBXFSP112FW01, BFNBXFSP302AW01, BFNBYFSP112TW01, BWFL74*N4000, BWFL75*N4000, BWF71*N1127, BWF71*N3050, BWF74*N4000, BWF75*N4000, HFNBCFSG111TN01, HFNBCFSG112TN01, HFNBCFSP111TN01, HFNBCFSP112TN01, SWFL74*N4000 and SWFX74*N4000
	802313WP	Outer Door Bezel Kit	White; All other models
	802313QP	Outer Door Bezel Kit	Bisque; All other models
2	802695P	Door Glass	
3	685846	Nut	
4	808096	Inner Door Bezel Kit	Gray; Models BFNBCFSG111TN01, BFNBCFSG111TW01, BFNBCFSG112TN01, BFNBCFSG112TW01, BFNBEFSP111CN01, BFNBEFSP111CW01, BFNBEFSP111TN01, BFNBEFSP111TW01, BFNBEFSP112CN01, BFNBEFSP112CW01, BFNBLFSP301AW01, BFNBLFSP302AW01, BFNBLFSP541NW01, BFNBLFSP542NW01, BFNBXFSP112FW01, BFNBXFSP302AW01, BFNBYFSP112TW01, BWFL74*N4000, BWFL75*N4000, BWF71*N1127, BWF71*N3050, BWF74*N4000, BWF75*N4000, HFNBCFSG111TN01, HFNBCFSG112TN01, HFNBCFSP111TN01, HFNBCFSP112TN01, SWFL74*N4000 and SWFX74*N4000
	808095	Inner Door Bezel Kit	White; All other models
5	802803	Door Catch Assembly	
6	801993	Screw	
7	800548	Screw	
8	808210	Screw	
9	802934	Door Hinge	
10	23951	Nut	
11	802700	Glass Mounting Clip	
12	802872P	Door Assembly	Gray; Includes items 1-11; Models BFNBCFSG111TN01, BFNBCFSG111TW01, BFNBCFSG112TN01, BFNBCFSG112TW01, BFNBEFSP111CN01, BFNBEFSP111CW01, BFNBEFSP111TN01, BFNBEFSP111TW01, BFNBEFSP112CN01, BFNBEFSP112CW01, BFNBLFSP301AW01, BFNBLFSP302AW01, BFNBLFSP541NW01, BFNBLFSP542NW01, BFNBXFSP112FW01, BFNBXFSP302AW01, BFNBYFSP112TW01, BWFL74*N4000, BWFL75*N4000, BWF71*N1127, BWF71*N3050, BWF74*N4000, BWF75*N4000, HFNBCFSG111TN01, HFNBCFSG112TN01, HFNBCFSP111TN01, HFNBCFSP112TN01, SWFL74*N4000 and SWFX74*N4000
	804914WP	Door Assembly	White; Includes items 1-11; All other models
	804914QP	Door Assembly	Bisque; Includes items 1-11; All other models

\* Add Letter To Designate Color. N - Stainless Steel Q - Bisque W - White

# Front Panel and Door Seal



FLW938PA

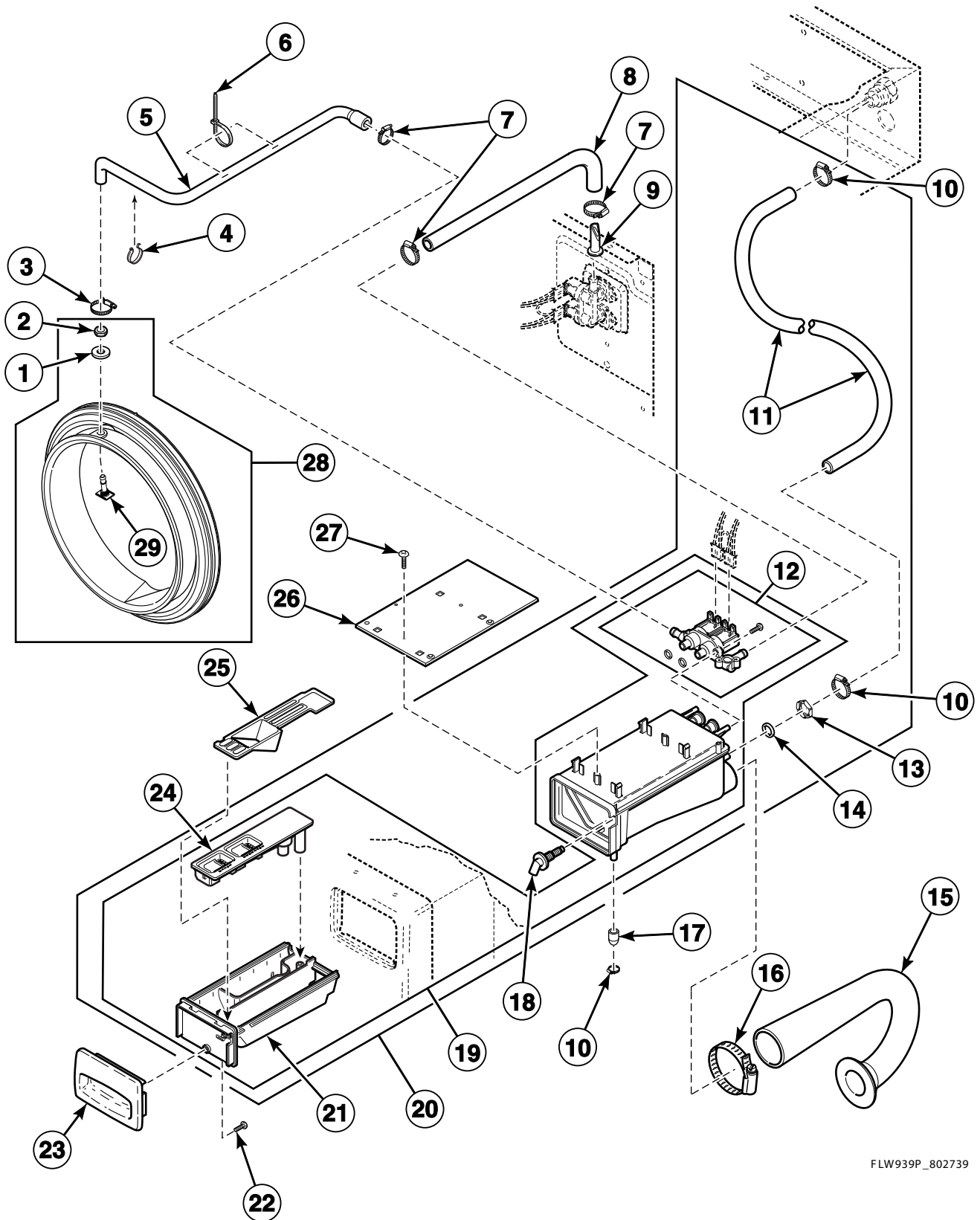
## Front Panel and Door Seal

REF	PART NO.	DESCRIPTION	COMMENTS
1	56079	Panel Locator	
2	39733	Screw	Use with painted panels
	D512921	Screw	Use with stainless steel panels
3	802317P	Door Latch/Switch Assembly	
4	802206	Hinge Plate	
5	806466	Wire Ring and Spring	Includes spring
6	802281	Hose Clamp	
7	802866P	Door Seal Assembly	Black; Includes items 13-15
	802830P	Door Seal Kit	Gray; Includes items 13-15
8	802256	Dispenser-to-Door Seal Hose	
9	55881	Harness Strap	
10	802164	Hose Clamp	
11	687500	Wire Clip	
12	802698	Hose Clamp	
13	802292	Nut	
14	802293	Washer	
15	802291	Boot Nozzle	
16	36020	Nut	
17	D503661	Screw	
18	204552	Front Panel Pad	1 inch by 26 inches
19	801045	Screw	
20	D514250WP	Access Panel Assembly	White
	D514250Q	Access Panel Assembly	Bisque
	D514251	Access Panel Assembly	Stainless steel
21	802277WP	Front Panel	White
	802277QP	Front Panel	Bisque
	802288P	Front Panel	Stainless steel
22	800548	Screw	

\* Add Letter To Designate Color. N - Stainless Steel Q - Bisque W - White

# Dispenser Assembly and Supply Injection Hoses

Model SWFB72\*N



FLW939P\_802739

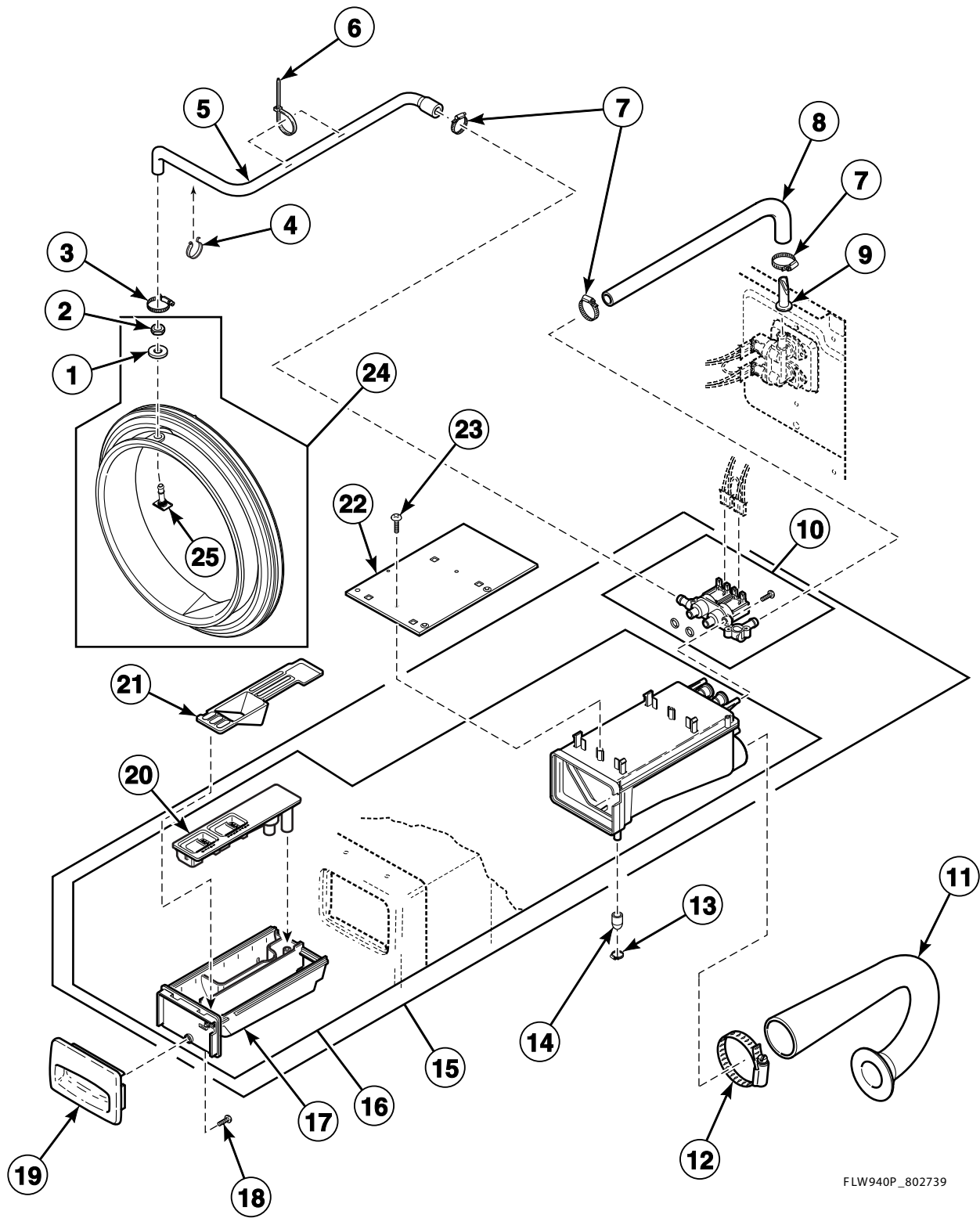
## Dispenser Assembly and Supply Injection Hoses

REF	PART NO.	DESCRIPTION	COMMENTS
1	802293	Washer	
2	802292	Nut	
3	802698	Hose Clamp	
4	687500	Wire Clip	
5	802256	Dispenser-to-Door Seal Hose	
6	55881	Harness Strap	
7	802164	Hose Clamp	
8	801464	Valve-to-Dispenser Inlet Hose	
9	34500	Backflow Preventer	
10	F200206	Hose Clamp	
11	801635	Tubing	
12	685766P	Valve Kit	
13	802292	Nut	
14	801632	O-Ring	
15	800331	Dispenser-to-Tub Hose	
16	685725	Hose Clamp	
17	801746	Cap	
18	F8322001	Injection Nozzle	
19	801630P	Dispenser Assembly	Includes items 12 and 24
20	801662P	Dispenser Assembly	Includes items 10-14, 18, 19, 24 and 801789 Connector
21	685757P	Dispenser Drawer	
22	800548	Screw	
23	685715WP	Dispenser Drawer Front	White
	685715QP	Dispenser Drawer Front	Bisque
24	685716	Insert	
25	800899	Detergent Cover	
26	801024	Dispenser Plate	
27	801001	Screw	
28	802866P	Door Seal Assembly	Black; Includes items 1, 2 and 29
	802830P	Door Seal Kit	Gray; Includes items 1, 2 and 29
29	802291	Boot Nozzle	

\* Add Letter To Designate Color. Q - Bisque W - White

# Dispenser Assembly

All Models Except SWFB72\*N



FLW940P\_802739

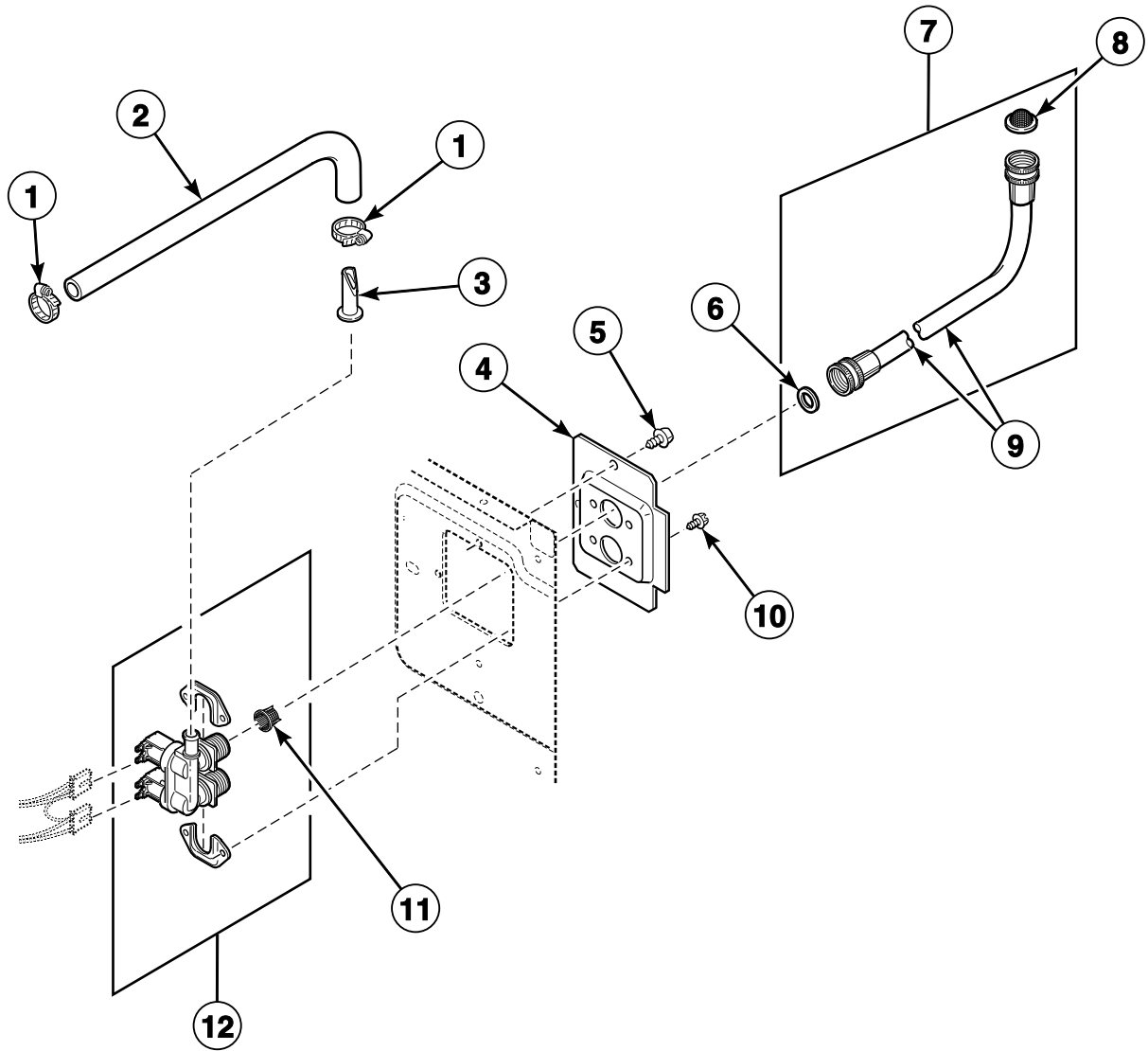


# Dispenser Assembly

REF	PART NO.	DESCRIPTION	COMMENTS
1	802293	Washer	
2	802292	Nut	
3	802698	Hose Clamp	
4	687500	Wire Clip	
5	802256	Dispenser-to-Door Seal Hose	
6	39037	Cable Tie	
7	802164	Hose Clamp	
8	801464	Valve-to-Dispenser Inlet Hose	
9	34500	Backflow Preventer	
10	801836P	Valve Kit	Models BFNBLFSP301AW01, BFNBLFSP302AW01, BFNBLFSP541NW01, BFNBLFSP542NW01, BFNBXFSP302AW01, BWFL74*N4000, BWFL75*N4000, BWFX71*N3050, BWFX74*N4000, BWFX75*N4000, HFNBXFSP302NW22, HFNBXFSP542DW01, HWFY74*N4000, HWFY75*N4000, NWFL84*N4000, NWFL85*N4000, NWF74*N4000, NWF75*N4000, SFNBXFSP301NW22, SFNBXFSP302AW01, SFNBXFSP302NQ01, SFNBXFSP302NW01, SFNBXFSP302NW22, SFNBXFSP542DW01, SFNSXRSP541NQ23, SFNSXRSP541NW23, SWFA71*N3050, SWFA71*N3069, SWFF71*N3050, SWFL74*N4000, SWFX71*N3000, SWFX71*N3050, SWFX71*N3051, SWFX71*N5400, SWFX74*N4000 and SWFX75*N4000
	685766P	Valve Kit	All other models
11	800331	Dispenser-to-Tub Hose	
12	685725	Hose Clamp	
13	F200206	Hose Clamp	
14	801746	Cap	
15	801090P	Dispenser	Includes items 10, 16 and 20; Models BFNBLFSP301AW01, BFNBLFSP302AW01, BFNBLFSP541NW01, BFNBLFSP542NW01, BFNBXFSP302AW01, BWFL74*N4000, BWFL75*N4000, BWFX71*N3050, BWFX74*N4000, BWFX75*N4000, HFNBXFSP302NW22, HFNBXFSP542DW01, HWFY74*N4000, HWFY75*N4000, NWFL84*N4000, NWFL85*N4000, NWF74*N4000, NWF75*N4000, SFNBXFSP301NW22, SFNBXFSP302AW01, SFNBXFSP302NQ01, SFNBXFSP302NW01, SFNBXFSP302NW22, SFNBXFSP542DW01, SFNSXRSP541NQ23, SFNSXRSP541NW23, SWFA71*N3050, SWFA71*N3069, SWFF71*N3050, SWFL74*N4000, SWFX71*N3000, SWFX71*N3050, SWFX71*N3051, SWFX71*N5400, SWFX74*N4000 and SWFX75*N4000
	685756P	Dispenser	Includes items 10, 16 and 20; All other models
16	801476P	Dispenser Assembly	Includes items 17 and 20
17	685757P	Dispenser Drawer	
18	800548	Screw	
19	685715WP	Dispenser Drawer Front	White
	685715QP	Dispenser Drawer Front	Bisque
	802879P	Dispenser Handle	Gray
20	685716	Insert	
21	800899	Detergent Cover	
22	801024	Dispenser Plate	
23	801001	Screw	
24	802866P	Door Seal Assembly	Black; Includes items 1, 2 and 25
	802830P	Door Seal Kit	Gray; Includes items 1, 2 and 25
25	802291	Boot Nozzle	

\* Add Letter To Designate Color. N - Stainless Steel Q - Bisque W - White

# Mixing Valve, Inlet Hose and Dispenser Hose



FLW881P\_802739

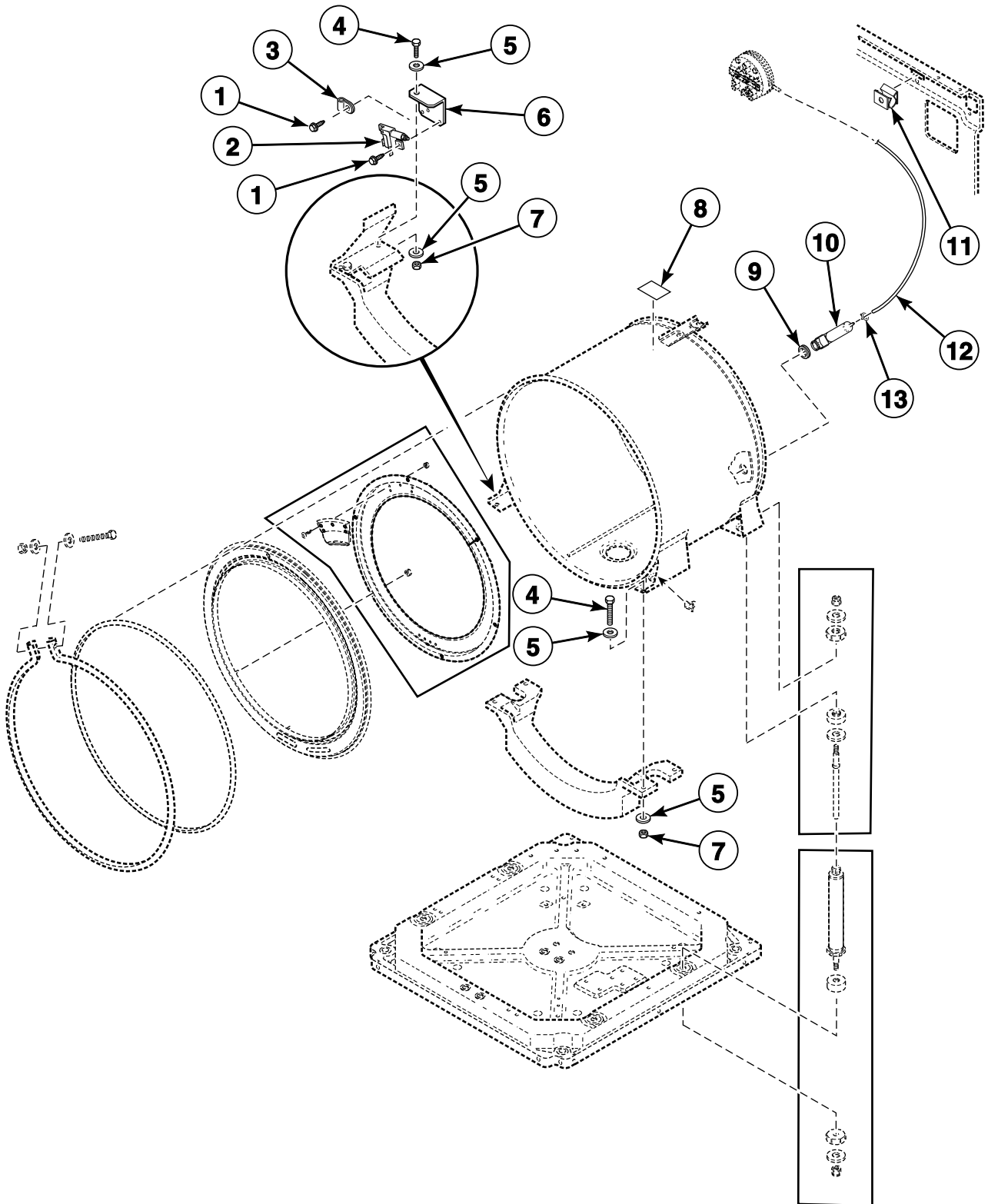
## Mixing Valve, Inlet Hose and Dispenser Hose

REF	PART NO.	DESCRIPTION	COMMENTS
1	802164	Hose Clamp	
2	801464	Valve-to-Dispenser Inlet Hose	
3	34500	Backflow Preventer	
4	800323	Mixing Valve Plate	
5	D503661	Screw	
6	20290	Washer	
7	F200116	Fill Hose	5 feet; Hose is equipped with 2 standard hose couplings; Includes items 6 and 8; All models except HFNBXFSP122DW01, HFNBXFSP542DW01, SFNBXFSP122DW01 and SFNBXFSP542DW01
	38349P	Fill Hose Kit	5 feet; Hose is equipped with 1 metric and 1 standard hose coupling; Includes 2 of item 6; All models except HFNBXFSP122DW01, HFNBXFSP542DW01, SFNBXFSP122DW01 and SFNBXFSP542DW01
8	803615	Washer	Filter screen
	802254	Washer	Flow restrictor; Water pressure reducer; Available for water pressure up to but not exceeding 120 psi
9	202799	Fill Hose	Models HFNBXFSP122DW01, HFNBXFSP542DW01, SFNBXFSP122DW01 and SFNBXFSP542DW01
	202800	Fill Hose	Models BFNBLFSP302AW01, BFNBFSP302AW01, SFNBXFSP302AW01 and SWFX71*N3051
	20617	Fill Hose	8 feet; Optional; Hose is equipped with 2 standard hose couplings; All other models
	20618	Fill Hose	10 feet; Optional; Hose is equipped with 2 standard hose couplings; All other models
	37380	Fill Hose	8 feet; Hose is equipped with 1 metric and 1 standard hose coupling; All other models
	202931	Fill Hose	10 feet; Hose is equipped with 1 metric and 1 standard hose coupling; All other models
10	D501086	Screw	
11	802926	Mixing Valve Screen	
12	802222P	Mixing Valve	Models BFNBLFSP301AW01, BFNBLFSP302AW01, BFNBLFSP541NW01, BFNBLFSP542NW01, BFNBFSP302AW01, BWFL74*N4000, BWFL75*N4000, BWFX71*N3050, BWFX74*N4000, BWFX75*N4000, HFNBXFSP302NW22, HFNBXFSP542DW01, HWFY74*N4000, HWFY75*N4000, NWFL84*N4000, NWFL85*N4000, NWF74*N4000, NWF75*N4000, SFNBXFSP301NW22, SFNBXFSP302AW01, SFNBXFSP302NQ01, SFNBXFSP302NW01, SFNBXFSP302NW22, SFNBXFSP542DW01, SFNSXRSP541NQ23, SFNSXRSP541NW23, SWFA71*N3050, SWFA71*N3069, SWFF71*N3050, SWFL74*N4000, SWFX71*N3000, SWFX71*N3050, SWFX71*N3051, SWFX71*N5400, SWFX74*N4000 and SWFX75*N4000
	802220P	Mixing Valve	All other models

\* Add Letter To Designate Color. N - Stainless Steel Q - Bisque W - White

# Outer Tub, Clamp Ring and Shock Absorbers (Drawing 1 of 2)

All Models Except BWFL74\*N4000, BWFL75\*N4000, BWFX74\*N4000, BWFX75\*N4000, HWFY74\*N4000, HWFY75\*N4000, NWFL84\*N4000, NWFL85\*N4000, NWFX74\*N4000, NWFX75\*N4000, SWFL74\*N4000, SWFX74\*N4000 and SWFX75\*N4000



FLW1013PA\_802739

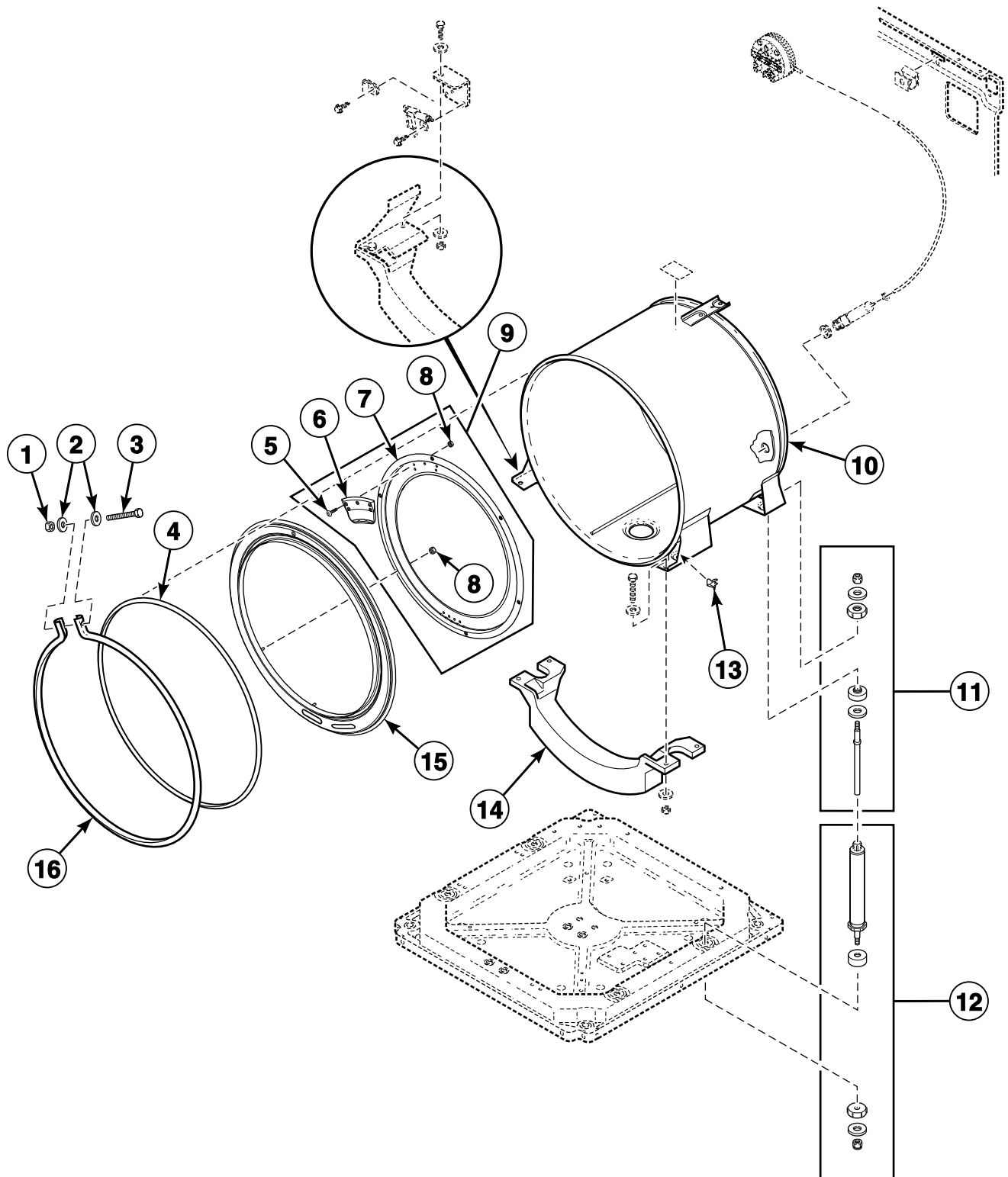
## Outer Tub, Clamp Ring and Shock Absorbers (Drawing 1 of 2)

REF	PART NO.	DESCRIPTION	COMMENTS
1	D503661	Screw	
2	806512	Out-of-Balance Switch Assembly Kit	Models through Serial No. 1201004551
	803415	Out-of-Balance Switch Assembly	Models starting Serial No. 1201004552
3	800811	Wire Clamp	
4	800461	Screw	
5	M400081	Washer	
6	800663	Switch Mounting Bracket	Models through Serial No. 1201004551
	803388	Switch Mounting Bracket	Models starting Serial No. 1201004552
7	800452	Nut	
8	D500314	Warning Label	Models BFNBEFSP111CN01, BFNBEFSP111CW01, BFNBEFSP112CN01, BFNBEFSP112CW01, HFNBDFSG112CW01, HFNBDRSP112CW01, HFNBDFSP112CW01, HFNBERSP112CW01, HFNBXFSP112CW01, HFNBYSFG112CW01, HFNBYSFSP112CW01, HFNBYSRSP112CW01, HFNCXFSP111CW01, HFNCXRSP111CW01, HFNSXRSP112CW01, HWFB71*N1102, HWFR71*N1102, HWFT71*N1102, HWFT73*N1102, HWFX71*N1102, HWFY71*N1102, HWFY73*N1102, HWR971*N1102, HWR973*N1102, HWRR71*N1102, HWRT71*N1102, HWRX71*N1102 and HWRY71*N1102
	F8211201	Electrical Shock Label	Models HFNBXFSP122DW01, HFNBXFSP302NW22, HFNBXFSP542DW01, SFNBXFSP122DW01, SFNBXFSP301NW22, SFNBXFSP302NQ01, SFNBXFSP302NW01, SFNBXFSP302NW22, SFNBXFSP542DW01, SWFA71*N3069, SWFX71*N3000 and SWFX71*N5400
	F8615701	Pinch Warning Label	Models HFNBXFSP122DW01, HFNBXFSP302NW22, HFNBXFSP542DW01, SFNBXFSP122DW01, SFNBXFSP301NW22, SFNBXFSP302NQ01, SFNBXFSP302NW01, SFNBXFSP302NW22, SFNBXFSP542DW01, SWFA71*N3069, SWFX71*N3000 and SWFX71*N5400
	D500049	Warning Label	All other models
9	29175	Grommet	
10	205241	Pressure Bulb Assembly	
11	36985	Hose Clip	Positioned here on rear control models
12	33324	Tubing	Models HFNSXRSP112CW01, HWR971*N1102, HWR971*N1127, HWR973*N1102, SFNSXRSP111TW02, SFNSXRSP112TQ01, SFNSXRSP112TW01, SFNSXRSP112TW02, SFNSXRSP541NQ23, SFNSXRSP541NW23, SFNTRSP111TW01, SFNTRSP111TW02, SWR971*N and SWR973*N
	685751	Tubing	Models HFNBDRSP112TW01, HFNBDRSP112CW01, HFNBERSP112CW01, HFNBXRSP112FW28, HFNBYSRSP112CW01, HFNCXRSP111CW01, HWRR71*N1102, HWRT71*N, HWRT71*N1102, HWRX71*N1102, SFNBDRSP111TW02, SFNBDRSP112TW01, SFNBDRSP112TW02, SFNBXRSP112TW01, SFNBXRSP112TW02, SFNBYSRSP112TW01, SFNCCRSP111TW01, SFNCCRSP111TW02, SWRB71*N, SWRT71*N, SWRT73*N and SWRX71*N
	800648P	Tubing	All other models
13	39282	Hose Clamp	

\* Add Letter To Designate Color. Q - Bisque W - White

# Outer Tub, Clamp Ring and Shock Absorbers (Drawing 2 of 2)

All Models Except BWFL74\*N4000, BWFL75\*N4000, BWFX74\*N4000, BWFX75\*N4000, HWFY74\*N4000, HWFY75\*N4000, NWFL84\*N4000, NWFL85\*N4000, NWF74\*N4000, NWF75\*N4000, SWFL74\*N4000, SWFX74\*N4000 and SWFX75\*N4000



FLW1013PB\_802739

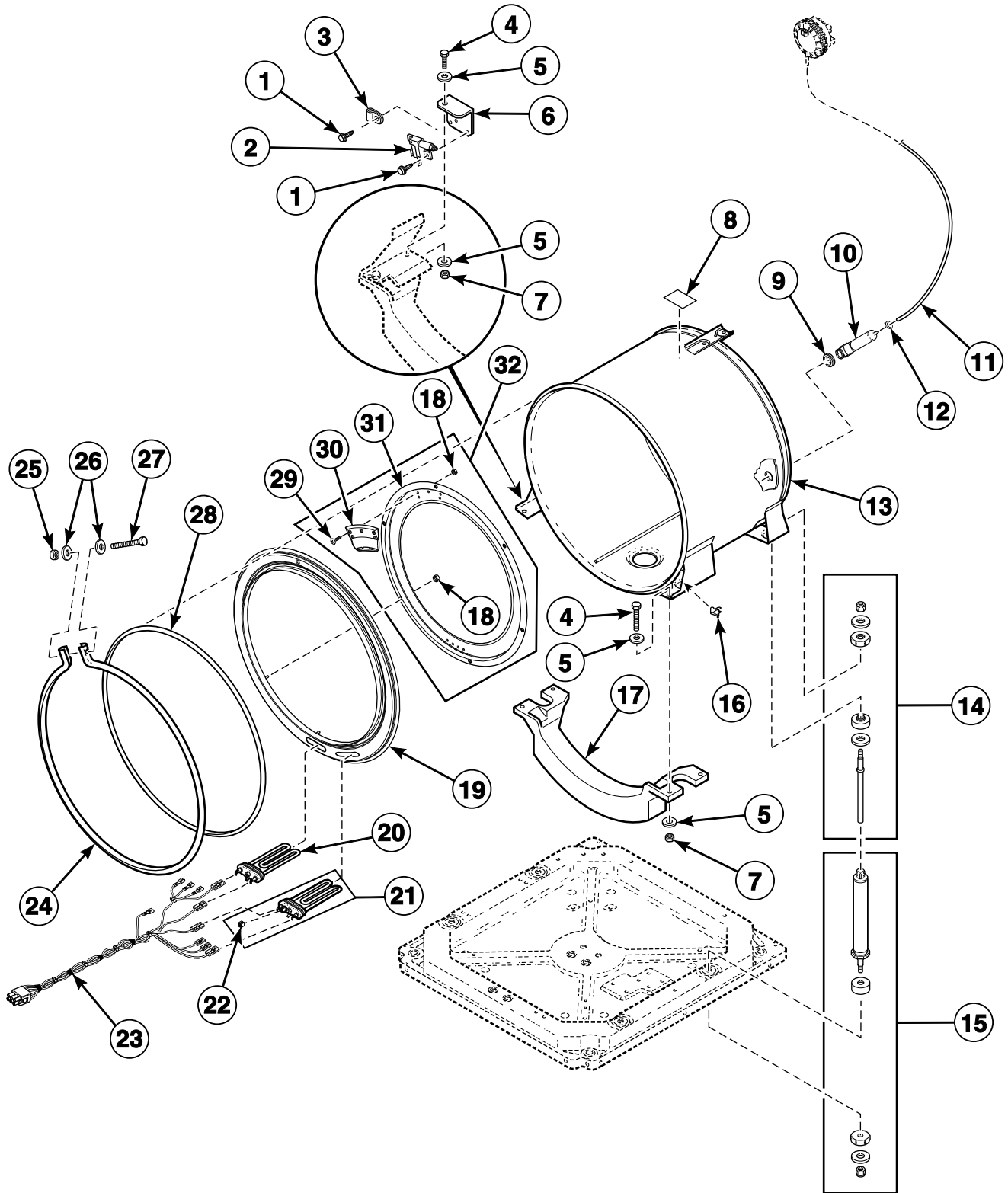
## Outer Tub, Clamp Ring and Shock Absorbers (Drawing 2 of 2)

REF	PART NO.	DESCRIPTION	COMMENTS
1	F430218	Nut	
2	800457	Washer	
3	800462	Screw	
4	800432P	Tub Front Seal	
5	802596	Screw	
6	804174P	Clothes Guard Deflector	
	804482	Clothes Guard Deflector	Heavy duty
7	803537	Clothes Guard	
8	802343	Nut	
9	804560P	Clothes Guard and Deflector Kit	Includes items 5-8 and items 7 and 26-28 from <i>Outer Tub, Clamp Ring and Shock Absorbers (Drawing 1 of 2)</i>
10	801081P	Outer Tub Assembly	
11	800622P	Tub Shock Absorber Kit	Upper
12	807875	Base Shock Absorber Kit	Lower; Must replace all 4
13	00161	Grounding Clip	
14	800205	Ballast Weight	
15	802258	Tub Front Assembly	
16	800312	Clamp Ring	

\* Add Letter To Designate Color. Q - Bisque W - White

# Outer Tub, Clamp Ring, Shock Absorbers and Heating Element

Models BWFL74\*N4000, BWFL75\*N4000, BWF74\*N4000, BWF75\*N4000,  
 HWFY74\*N4000, HWFY75\*N4000, NWFL84\*N4000, NWFL85\*N4000, NWF74\*N4000,  
 NWF75\*N4000, SWFL74\*N4000, SWF74\*N4000 and SWF75\*N4000



FLW1012P\_802739

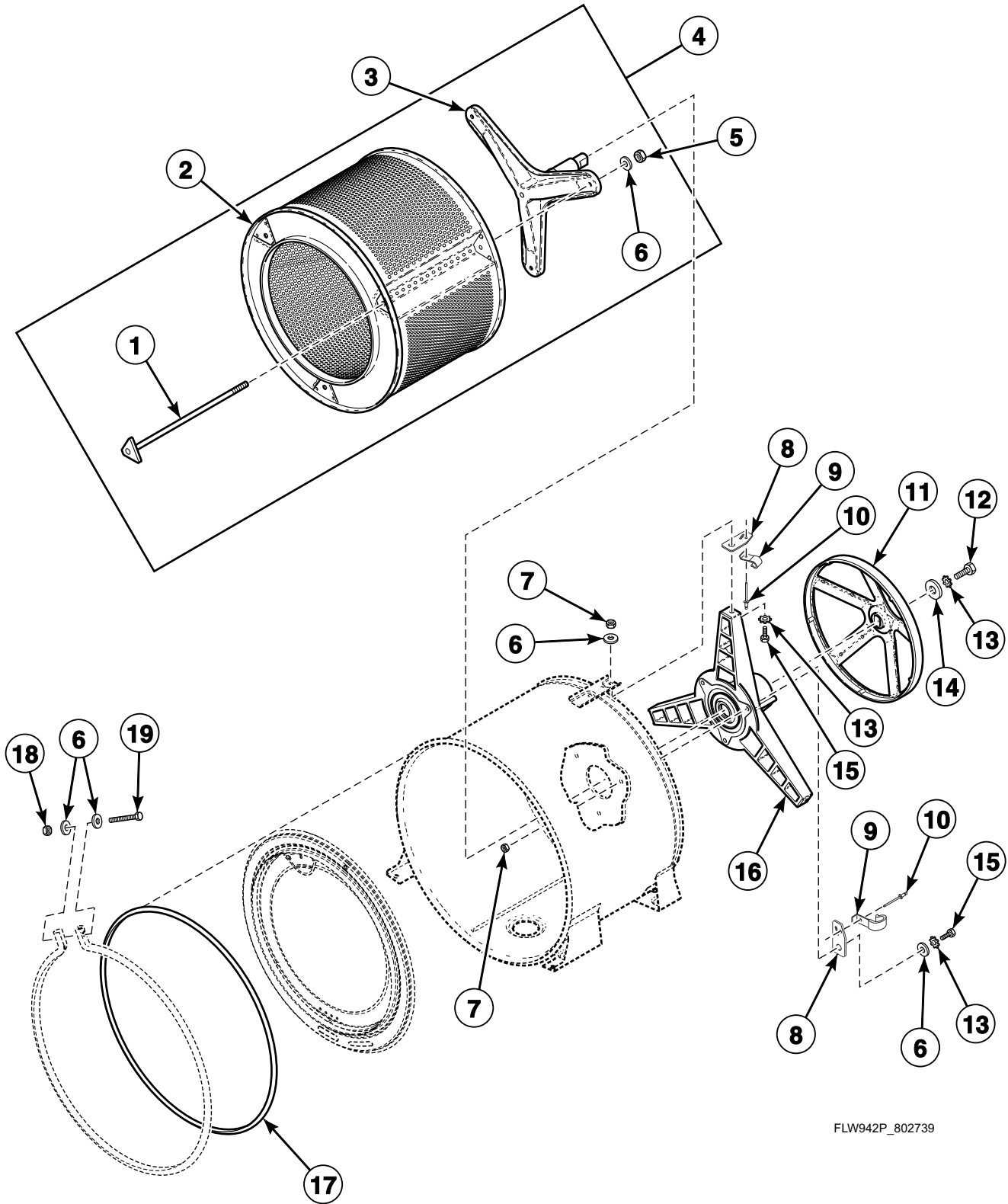


# Outer Tub, Clamp Ring, Shock Absorbers and Heating Element

REF	PART NO.	DESCRIPTION	COMMENTS
1	D503661	Screw	
2	806512	Out-of-Balance Switch Assembly Kit	Models through Serial No. 1201004551
	803415	Out-of-Balance Switch Assembly	Models starting Serial No. 1201004552
3	800811	Wire Clamp	
4	800461	Screw	
5	M400081	Washer	
6	800663	Switch Mounting Bracket	Models through Serial No. 1201004551
	803388	Switch Mounting Bracket	Models starting Serial No. 1201004552
7	800452	Nut	
8	D502511	Electrical Shock Label	
	D502506	Pinched Fingers Label	
9	29175	Grommet	
10	205241	Pressure Bulb Assembly	
11	800648P	Tubing	
12	39282	Hose Clamp	
13	801291	Outer Tub Assembly	
14	800622P	Tub Shock Absorber Kit	Upper
15	807875	Base Shock Absorber Kit	Lower; Must replace all 4
16	00161	Grounding Clip	
17	800205	Ballast Weight	
18	802343	Nut	
19	802260	Tub Front Assembly	Models through Serial No. 1001000989
	803494	Tub Front Assembly	Models starting Serial No. 1001000990
20	804778P	Heating Element	
21	804777P	Heating Element	Includes item 22
22	803256	Thermistor	
23	802323P	Heater Harness	Models through Serial No. 1001000989
	803492	Heater Harness	Models starting Serial No. 1001000990
24	800312	Clamp Ring	
25	F430218	Nut	
26	800457	Washer	
27	800462	Screw	
28	800432P	Tub Front Seal	
29	802596	Screw	
30	804174P	Clothes Guard Deflector	
	804482	Clothes Guard Deflector	Heavy duty
31	803537	Clothes Guard	
32	804560P	Clothes Guard and Deflector Kit	Includes items 7, 18 and 26-31

\* Add Letter To Designate Color. N - Stainless Steel Q - Bisque W - White

# Inner Basket, Trunnion, Bearing Housing and Pulley

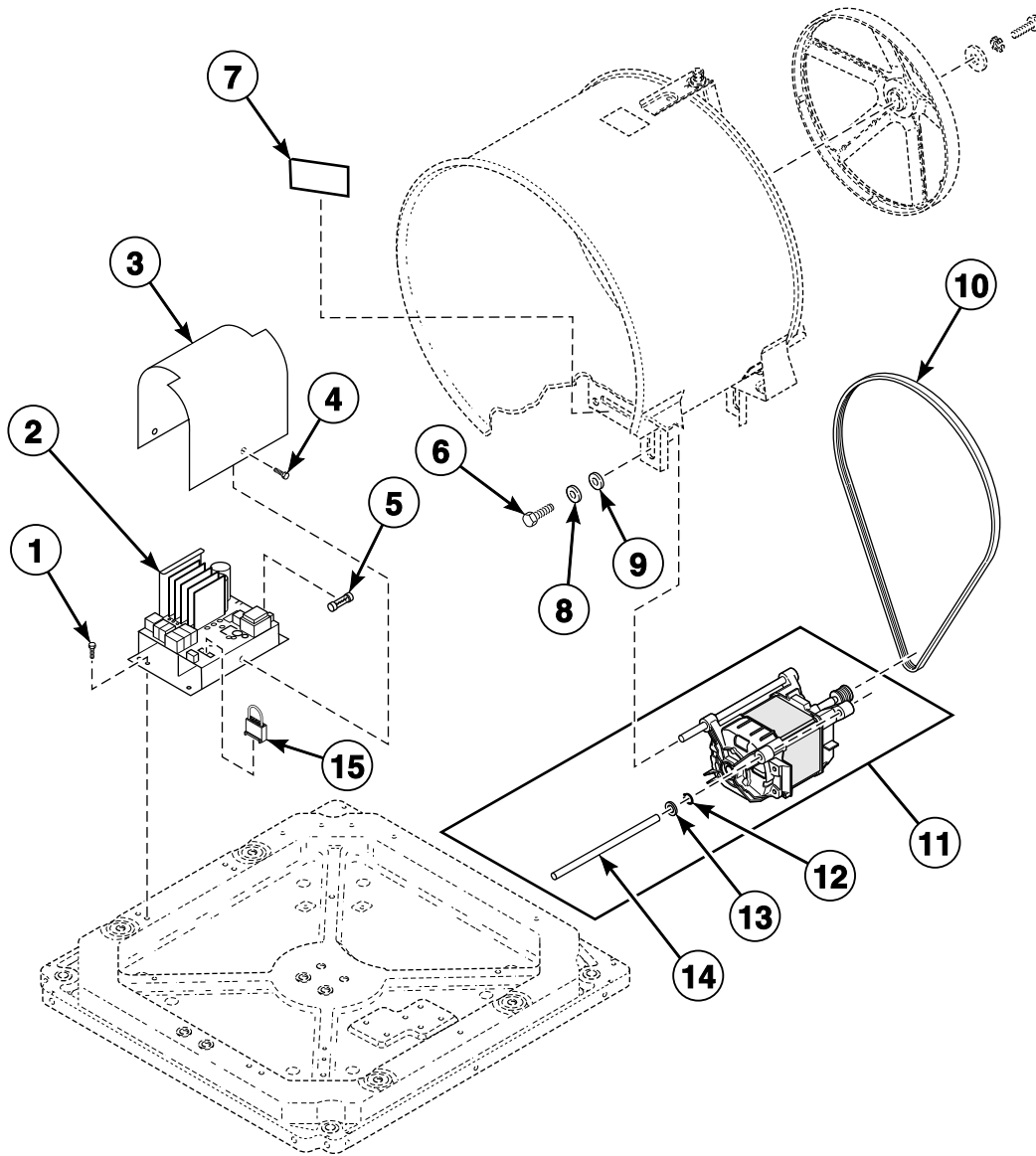


FLW942P\_802739

## Inner Basket, Trunnion, Bearing Housing and Pulley

REF	PART NO.	DESCRIPTION	COMMENTS
	27604P	Anti-Seize Compound	Pulley to inner basket shaft
	838P3	Hardware Kit	Includes (8) of item 6, (7) of item 13, (6) each of items 7 and 15, (1) each of items 12, 14, 17, 18, 19 and 27604P Anti-Seize Compound
	RB160001	Bearing Kit	
<b>1</b>	800666	Tension Rod Assembly	
<b>2</b>	803008P	Inner Basket Assembly	
<b>3</b>	800749P	Trunnion Shaft and Hardware Kit	Includes (3) each of items 1, 5, 6 and 838P3 Hardware Kit; If ordering trunnion shaft separately, inner basket and trunnion shaft must be properly aligned to prevent door seal damage. Refer to instructions included in kit
<b>4</b>	804322	Inner Basket Assembly	Model SWFX71*N3051
	802365P	Inner Basket Assembly	All other models
<b>5</b>	803017	Nut	
<b>6</b>	800457	Washer	
<b>7</b>	800452	Nut	
<b>8</b>	800552	Hose Mounting Plate	
<b>9</b>	800553	Hose Clip	
<b>10</b>	685847	Pop Rivet	
<b>11</b>	800866	Driven Pulley	
<b>12</b>	685831	Screw	Left hand thread
<b>13</b>	M403958	Washer	
<b>14</b>	807679	Washer	
<b>15</b>	F430116	Screw	
<b>16</b>	800428P	Bearing Housing Kit	Includes 838P3 Hardware Kit
<b>17</b>	800432P	Tub Front Seal	
<b>18</b>	F430218	Nut	
<b>19</b>	800462	Screw	

# Motor and Belt



FLW1703P\_802739

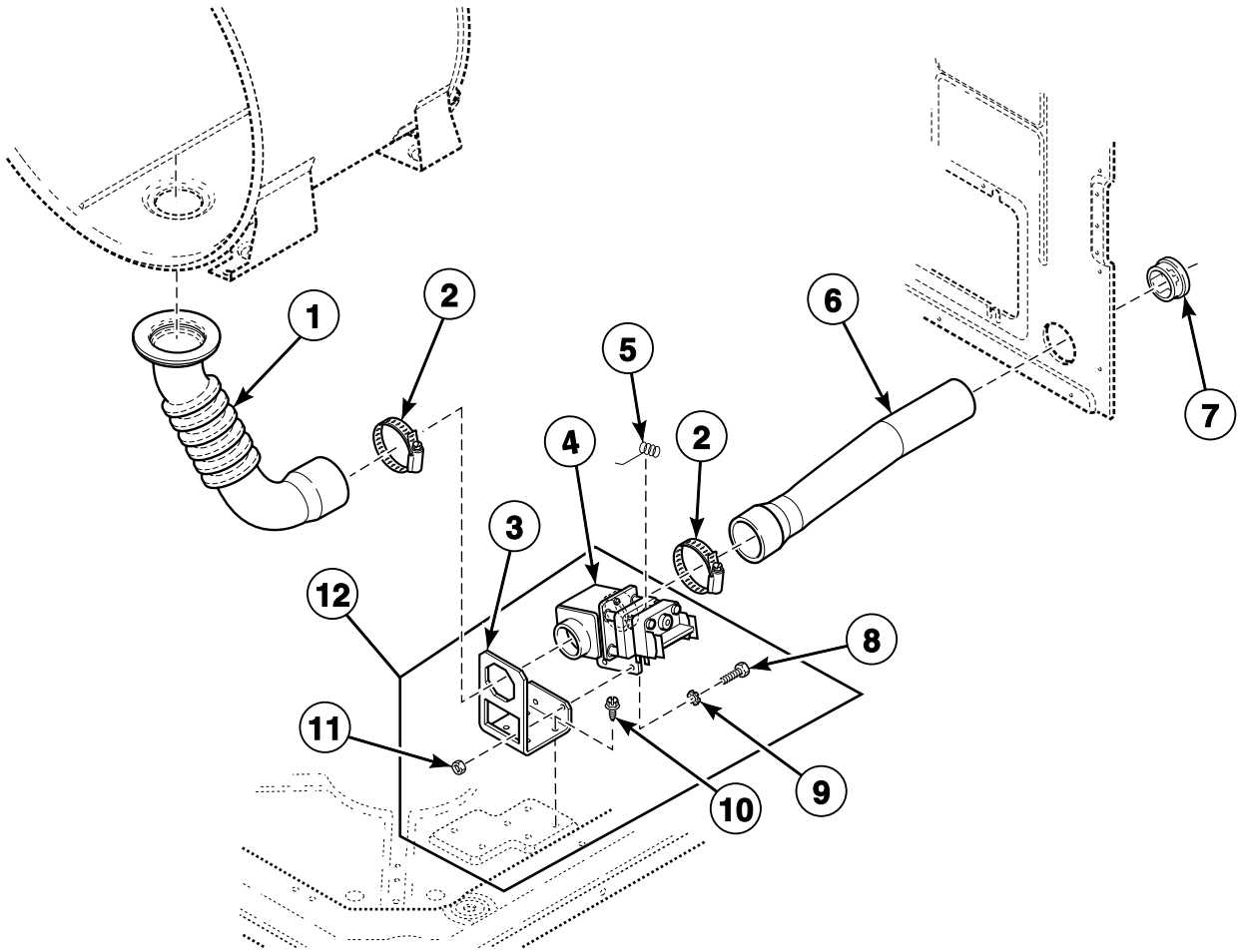
## Motor and Belt

REF	PART NO.	DESCRIPTION	COMMENTS
1	D503661	Screw	
2	803255P	Inverter Control Assembly	240 Volt; Models BFNBLFSP301AW01, BFNBLFSP302AW01, BFNBLFSP541NW01, BFNBLFSP542NW01, BFNBXFSP302AW01, BWFL74*N4000, BWFL75*N4000, BWFX71*N3050, BWFX74*N4000, BWFX75*N4000, HFNBXFSP302NW22, HFNBXFSP542DW01, HWFY74*N4000, HWFY75*N4000, NWFL84*N4000, NWFL85*N4000, NWF74*N4000, NWF75*N4000, SFNBXFSP301NW22, SFNBXFSP302AW01, SFNBXFSP302NQ01, SFNBXFSP302NW01, SFNBXFSP302NW22, SFNBXFSP542DW01, SFNSXRSP541NQ23, SFNSXRSP541NW23, SWFA71*N3050, SWFA71*N3069, SWFF71*N3050, SWFL74*N4000, SWFX71*N3000, SWFX71*N3050, SWFX71*N3051, SWFX71*N5400, SWFX74*N4000 and SWFX75*N4000
	803254P	Inverter Control Assembly	120 Volt; All other models
3	804738	Control Shield	Models BFNBLFSP302AW01, BFNBXFSP302AW01, SFNBXFSP302AW01 and SWFX71*N3051
	801061	Control Shield	All other models
4	D501524	Screw	
5	801755	Fuse	10 Amp
6	M400057	Screw	
7	800632	Warning Label	
8	02834	Washer	
9	M400080	Washer	
10	800319P	Drive Belt	
11	801684P	Motor and Rod Assembly Kit	Includes 2 each of items 12-14 and wire ties
12	23748	Retaining Ring	
13	52549	Washer	
14	801062	Motor Mount Rod	
15	D513316	Jumper Harness	Use to limit spin RPM on inverter controls starting Serial No. 0911014603; 240 Volt; Models BFNBLFSP301AW01, BFNBLFSP302AW01, BFNBLFSP541NW01, BFNBLFSP542NW01, BFNBXFSP302AW01, BWFL74*N4000, BWFL75*N4000, BWFX71*N3050, BWFX74*N4000, BWFX75*N4000, HFNBXFSP302NW22, HFNBXFSP542DW01, HWFY74*N4000, HWFY75*N4000, NWFL84*N4000, NWFL85*N4000, NWF74*N4000, NWF75*N4000, SFNBXFSP301NW22, SFNBXFSP302AW01, SFNBXFSP302NQ01, SFNBXFSP302NW01, SFNBXFSP302NW22, SFNBXFSP542DW01, SFNSXRSP541NQ23, SFNSXRSP541NW23, SWFA71*N3050, SWFA71*N3069, SWFF71*N3050, SWFL74*N4000, SWFX71*N3000, SWFX71*N3050, SWFX71*N3051, SWFX71*N5400, SWFX74*N4000 and SWFX75*N4000
	D513268	Jumper Harness	Use to limit spin RPM on inverter controls starting Serial No. 0911014603; 120 Volt; All other models

\* Add Letter To Designate Color. N - Stainless Steel Q - Bisque W - White

# Drain Hoses and Valve

Models BFNBCFSG111TN01, BFNBCFSG111TW01, BFNBCFSG112TN01, BFNBCFSG112TW01, BWFL75\*N4000, BWFX75\*N4000, HFNBCFSG111TN01, HFNBCFSG112TN01, HFNBCFSG112TQ01, HFNBCFSG112TW01, HFNBDFSG112CW01, HFNBDFSG112CW01, HWFT73\*N, HWFT73\*N1102, HWFY73\*N1102, HWFY75\*N4000, HWR973\*N1102, NWFL85\*N4000, NWFX75\*N4000, SFNBCFSG112TQ01, SFNBCFSG112TW01, SFNBXFSG082JW01, SFNBXFSG112TQ01, SFNBXFSG112TW01, SFNBDFSG112TW01, SWFA73\*N, SWFB73\*N, SWFF73\*N, SWFT73\*N, SWFX73\*N, SWFX75\*N4000, SWFY73\*N, SWR973\*N and SWRT73\*N



FLW1702P\_802739

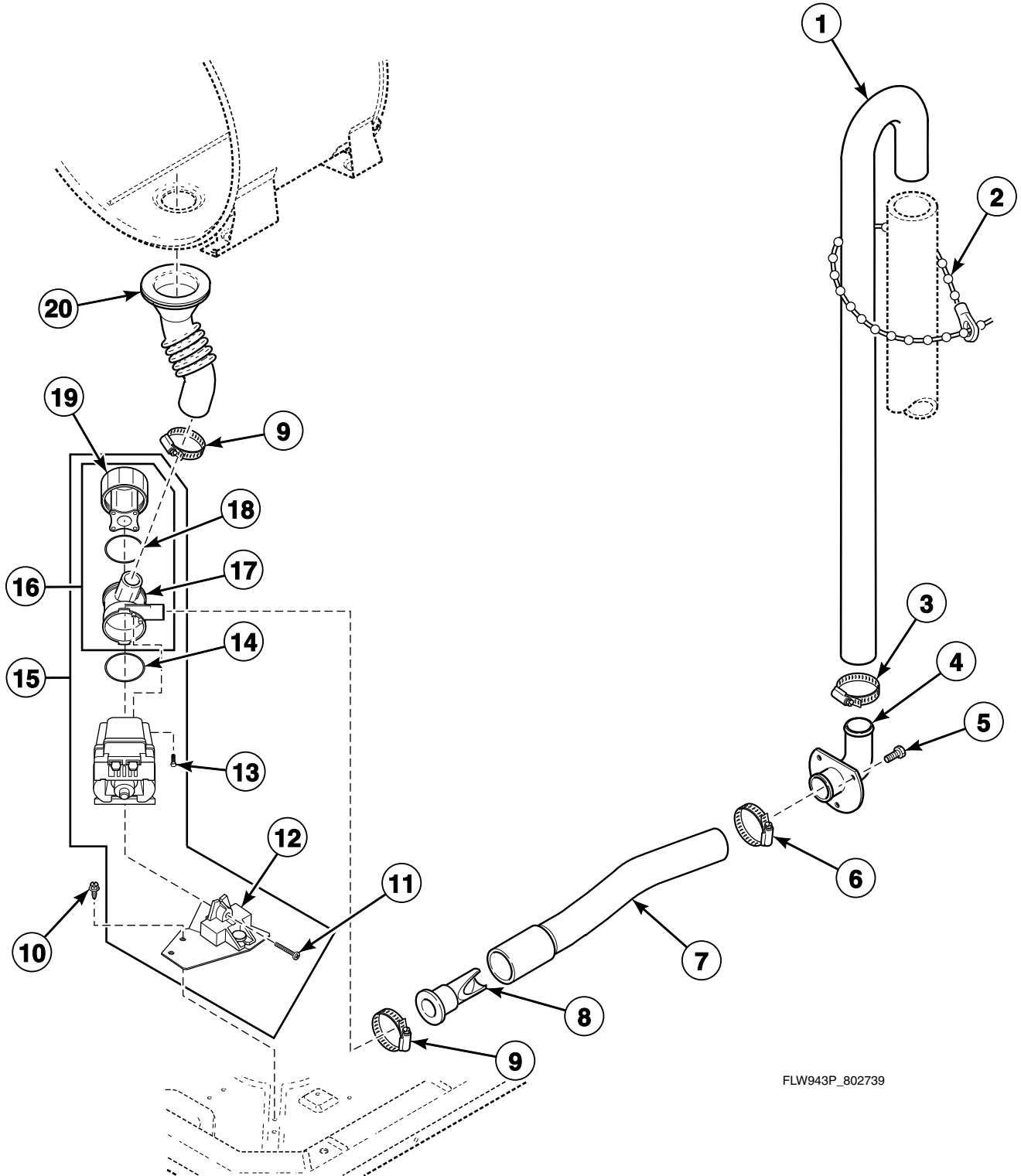
## Drain Hoses and Valve

REF	PART NO.	DESCRIPTION	COMMENTS
1	800902	Tub-to-Drain Hose	
	27615T-1	Sealant	Tub-to-drain hose to outer tub
2	685725	Hose Clamp	
3	803291	Gravity Drain Bracket	
4	803292P	Gravity Drain Valve	Models BWFL75*N4000, BWFX75*N4000, HWFY75*N4000, NWFL85*N4000, NWFX75*N4000 and SWFX75*N4000; Order item 12 for models through Serial No. 0904020485
	803293P	Drain Valve	All other models; Order item 12 for models through Serial No. 0904020485
5	F8504601	Spring	
6	800903	Drain-to-Cabinet Hose	
7	D503235	Snap Bushing	
8	02916	Screw	
9	M400017	Washer	
10	D503661	Screw	
11	29786	Nut	
12	F976P3	Drain Valve Kit	Includes items 3, 4 and 8-11; Models BWFL75*N4000, BWFX75*N4000, HWFY75*N4000, NWFL85*N4000, NWFX75*N4000 and SWFX75*N4000
	F975P3	Drain Valve Kit	Includes items 3, 4 and 8-11; All other models

\* Add Letter To Designate Color. Q - Bisque W - White

# Hoses and Pump

All Models Except BFNBCFSG111TN01, BFNBCFSG111TW01, BFNBCFSG112TN01, BFNBCFSG112TW01, BWFL75\*N4000, BWFX75\*N4000, HFNBCFSG111TN01, HFNBCFSG112TN01, HFNBCFSG112TQ01, HFNBCFSG112TW01, HFNBDFSG112CW01, HFNBDFSG112CW01, HWFT73\*N, HWFT73\*N1102, HWFY73\*N1102, HWFY75\*N4000, HWR973\*N1102, NWFL85\*N4000, NWFX75\*N4000, SFNBCFSG112TQ01, SFNBCFSG112TW01, SFNBXFG082JW01, SFNBXFG112TQ01, SFNBXFG112TW01, SFNBDFSG112TW01, SWFA73\*N, SWFB73\*N, SWFF73\*N, SWFT73\*N, SWFX73\*N, SWFX75\*N4000, SWFY73\*N, SWR973\*N and SWRT73\*N



FLW943P\_802739

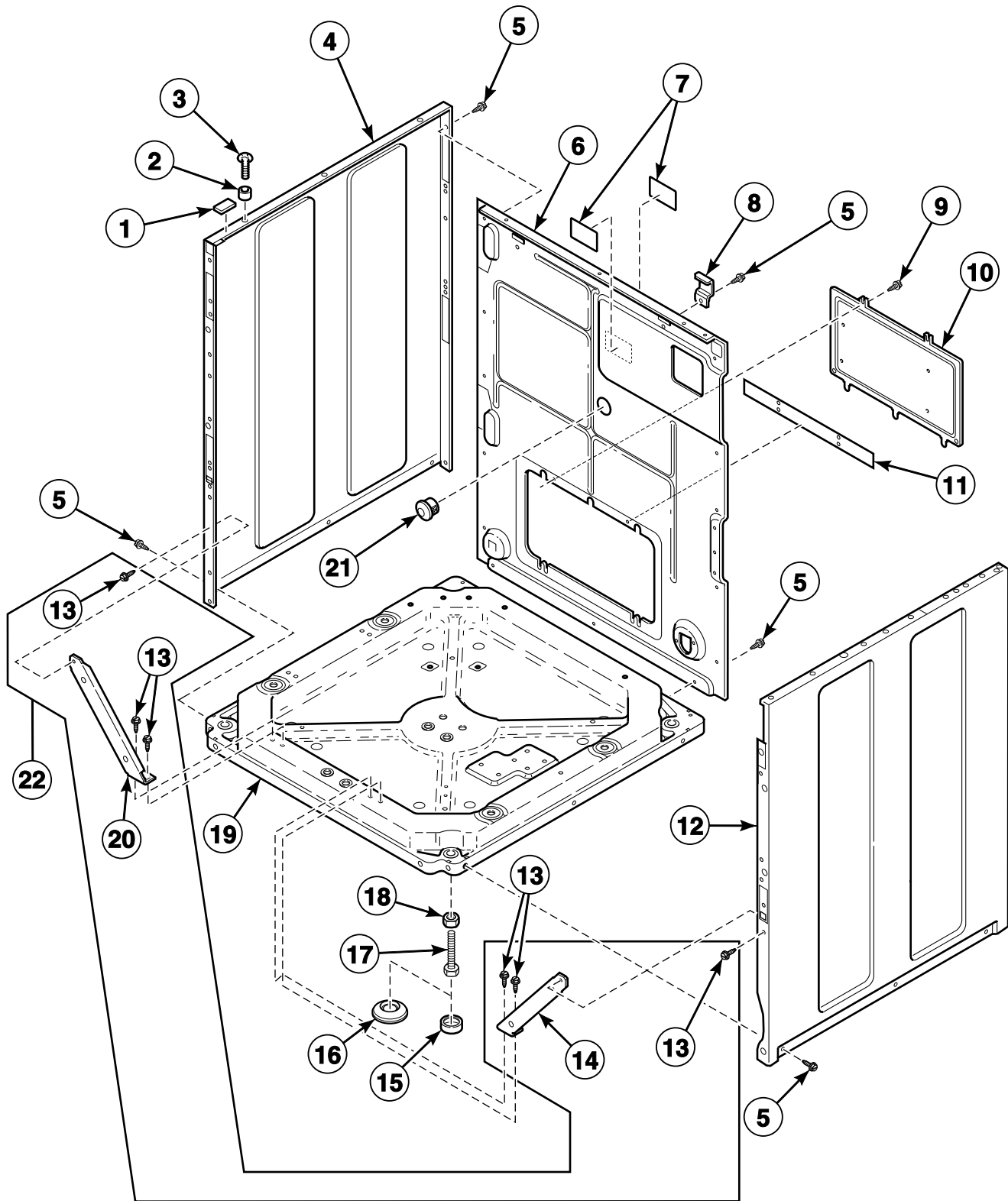


# Hoses and Pump

REF	PART NO.	DESCRIPTION	COMMENTS
1	27154	Drain Hose	
2	33489	Standpipe Strap	
3	20211	Hose Clamp	
4	35766	Drain Hose Elbow	
5	52909	Screw	
6	20391	Hose Clamp	
7	685737	Pump-to-Elbow Hose	
8	800310	Backflow Preventer	
9	F200204	Hose Clamp	
10	D503661	Screw	
11	802430	Screw	
12	802626	Pump Mount Bracket	
13	802431	Screw	
14	802429P	O-Ring	
15	802624P	Drain Pump	Models BFNBLFSP301AW01, BFNBLFSP302AW01, BFNBLFSP542NW01, BFNBXFSP302AW01, BWFL74*N4000, BWFX71*N3050, BWFX74*N4000, HFNBXFSP302NW22, HWFY74*N4000, NWFL84*N4000, NWF74*N4000, SFNBXFSP301NW22, SFNBXFSP302AW01, SFNBXFSP302NQ01, SFNBXFSP302NW01, SFNBXFSP302NW22, SWFA71*N3050, SWFA71*N3069, SWFF71*N3050, SWFL74*N4000, SWFX71*N3000, SWFX71*N3050, SWFX71*N3051, SWFX71*N5400 and SWFX74*N4000
	802625P	Drain Pump	Models BFNBLFSP541NW01, HFNBXFSP542DW01, SFNBXFSP542DW01, SFNSXRSP541NQ23, SFNSXRSP541NW23 and SWFX71*N5400
	802623P	Drain Pump	All other models
16	802434P	Pump Housing Assembly	Includes items 17-19
17	802428	Pump Housing	
18	802427	Gasket	
19	802426P	Lid Assembly	Includes filter
20	800317	Tub-to-Pump Hose	
	27615T-1	Sealant	Tub-to-pump hose to outer tub
	985P3	Drain Kit	Includes 803344 Tub-to-Pump Hose with Trap, 90554 Hose Clamp, 803400 Cap and 27615T-1 Sealant

\* Add Letter To Designate Color. N - Stainless Steel Q - Bisque W - White

# Base, Side Panels and Rear Panel



FLW969P\_802739

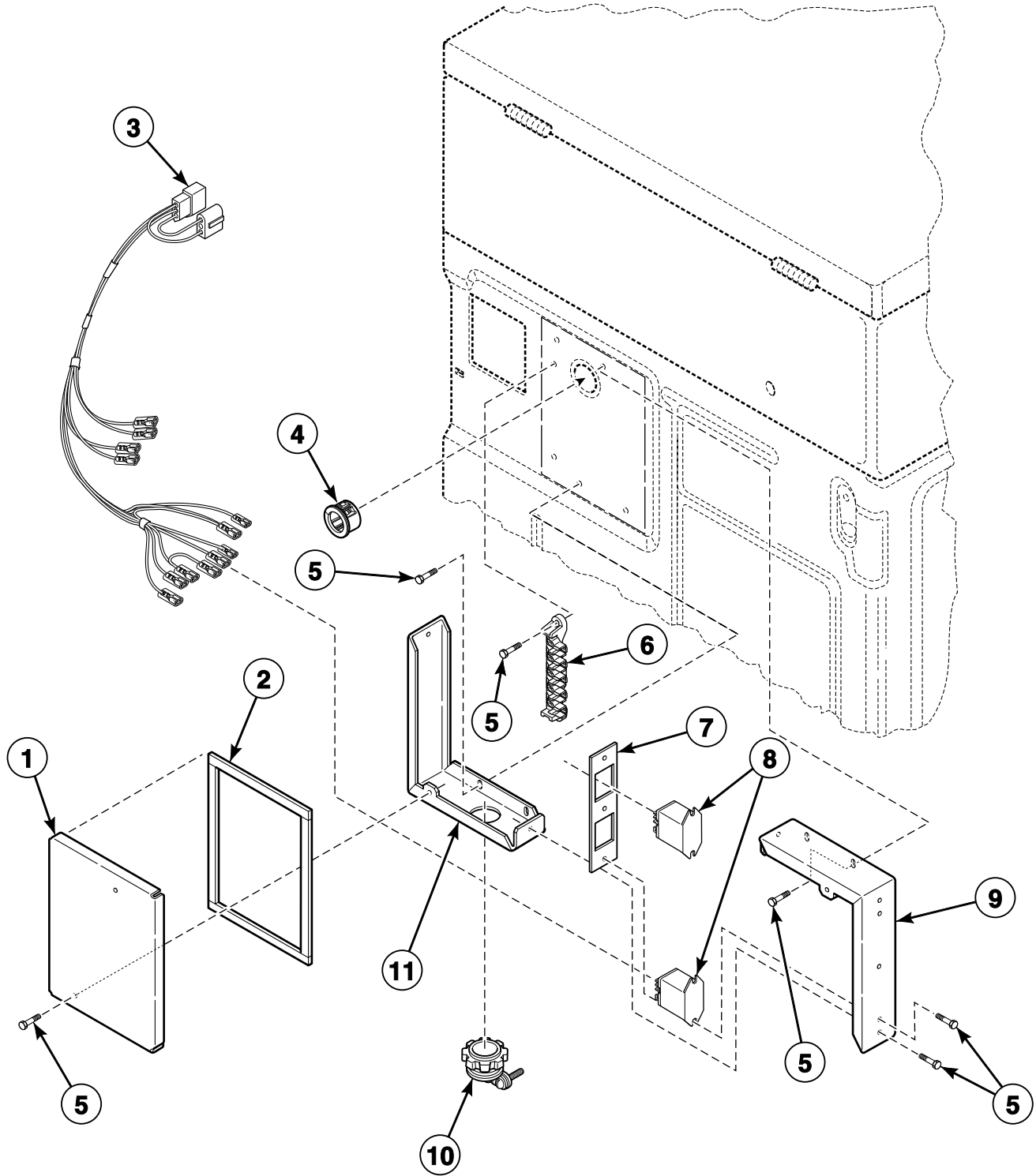
## Base, Side Panels and Rear Panel

REF	PART NO.	DESCRIPTION	COMMENTS
	122P4P	Porcelain Touch-Up Paint	White
	370P4P	Porcelain Touch-Up Paint	Bisque
1	36226	Bumper Pad	
2	56079	Panel Locator	
3	39733	Screw	Use with painted panels
	D512921	Screw	Use with stainless steel panels
4	800004WP	Cabinet Panel Kit	White; Left; Includes corner gusset with hardware
	800004QP	Cabinet Panel Kit	Bisque; Left; Includes corner gusset with hardware
	800004DG	Cabinet Side Panel	Gray; Left
	802525P	Cabinet Side Panel	Stainless steel; Left
5	D503661	Screw	
6	801216	Rear Panel	Models BFNBCFSG111TN01, BFNBCFSG111TW01, BFNBCFSG112TN01, BFNBCFSG112TW01, BWFL75*N4000, BWF75*N4000, HFNBCFSG111TN01, HFNBCFSG112TN01, HFNBCFSG112TQ01, HFNBCFSG112TW01, HFNBDPFG112CW01, HFNBYFSG112CW01, HWFT73*N, HWFT73*N1102, HWFY73*N1102, HWFY75*N4000, HWR973*N1102, NWFL85*N4000, NWF75*N4000, SFNBCFSG112TQ01, SFNBCFSG112TW01, SFNBXFG082JW01, SFNBXFG112TQ01, SFNBXFG112TW01, SFNBYFSG112TW01, SWFA73*N, SWFB73*N, SWFF73*N, SWFT73*N, SWFX73*N, SWFX75*N4000, SWFY73*N, SWR973*N and SWRT73*N
	801629	Rear Panel	Model SWFB72*N
	800010P	Rear Panel	All other models
7	804949	Left Hand Thread Label	Icon
	685928	Left Hand Thread Label	Text
8	D510136	Top Hinge	Rear control models
9	430497	Screw	
10	800011	Rear Access Panel	
11	801702	Motor Access Hole Edging	
12	806492	Side Panel Kit	White; Right; Includes 801024 Dispenser Plate with hardware and 547P3 Coin Cabinet Hardware Kit
	800005QP	Side Panel Kit	Bisque; Right; Includes 801024 Dispenser Plate with hardware and 547P3 Coin Cabinet Hardware Kit
	800005DG	Cabinet Side Panel	Gray; Right
	802526P	Cabinet Side Panel	Stainless steel; Right
13	31645	Screw	
14	801492	Cabinet Brace	Right
15	34318	Rubber Foot	
16	155P3	Anchor	Includes 4 rubber discs with adhesive backing
	802844P	Anchor Floor Mount Assembly	Includes 2 rubber discs with adhesive backing
17	34319	Leveling Leg	
18	21899	Nut	
19	803876	Base Assembly	
20	801491	Cabinet Brace	Left
21	M412154	Hole Plug	
22	918P3	Brace Kit	Includes items 13, 14 and 20

\* Add Letter To Designate Color. Q - Bisque W - White

# Junction Box

Model SWFB72\*N



FLW903P\_802739

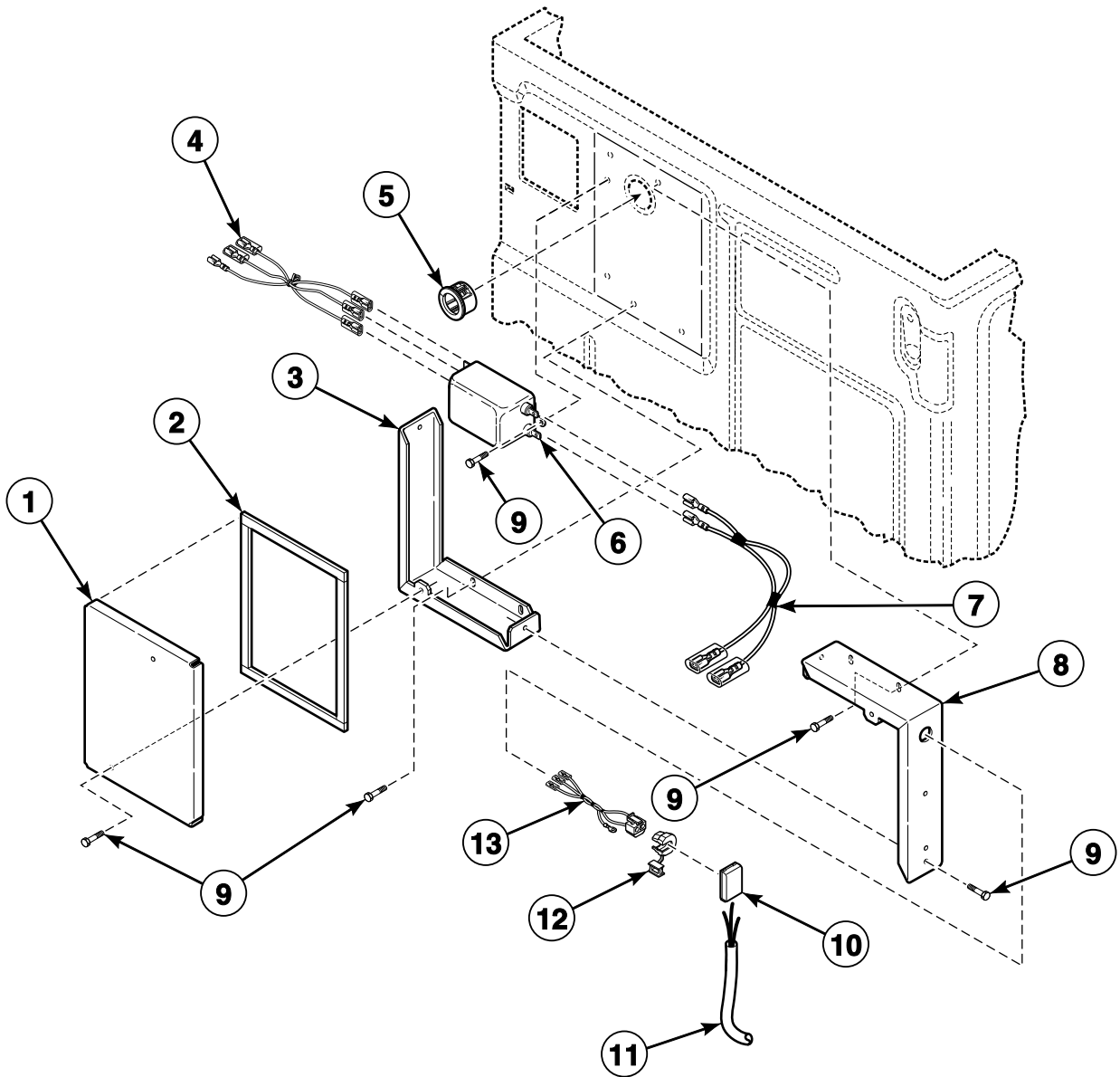
# Junction Box

REF	PART NO.	DESCRIPTION	COMMENTS
1	801498	Junction Box Cover	
2	801425P	Junction Box Seal	4 required
3	801518	Supply Injection Wire Harness Assembly	
4	M402542	Snap Bushing	
5	D503661	Screw	
6	D505876	Terminal Block Assembly	
7	801501	Relay Mounting Bracket	
8	431349	Relay	
9	801497	Upper Junction Box	
10	F140312	Connector	
11	801499	Lower Junction Box	

\* Add Letter To Designate Color. Q - Bisque W - White

# Junction Box and Power Cord

Models BFNBLFSP301AW01, BFNBLFSP302AW01, BFNBLFSP541NW01, BFNBLFSP542NW01, BFNBFSP112FW01, BFNBFSP302AW01, BWF71\*N1127, BWF71\*N3050, HFNBXFSP112FQ01, HFNBXFSP122DW01, HFNBXFSP302NW22, HFNBXFSP542DW01, HWF71\*N1127, HWR971\*N1127, SFNBXFG082JW01, SFNBXFSP122DW01, SFNBXFSP301NW22, SFNBXFSP302AW01, SFNBXFSP302NQ01, SFNBXFSP302NW01, SFNBXFSP302NW22, SFNBXFSP542DW01, SFNSXRSP541NQ23, SFNSXRSP541NW23, SWFA71\*N3050, SWFA71\*N3069, SWFF71\*N3050, SWFX71\*N1127, SWFX71\*N3000, SWFX71\*N3050, SWFX71\*N3051 and SWFX71\*N5400



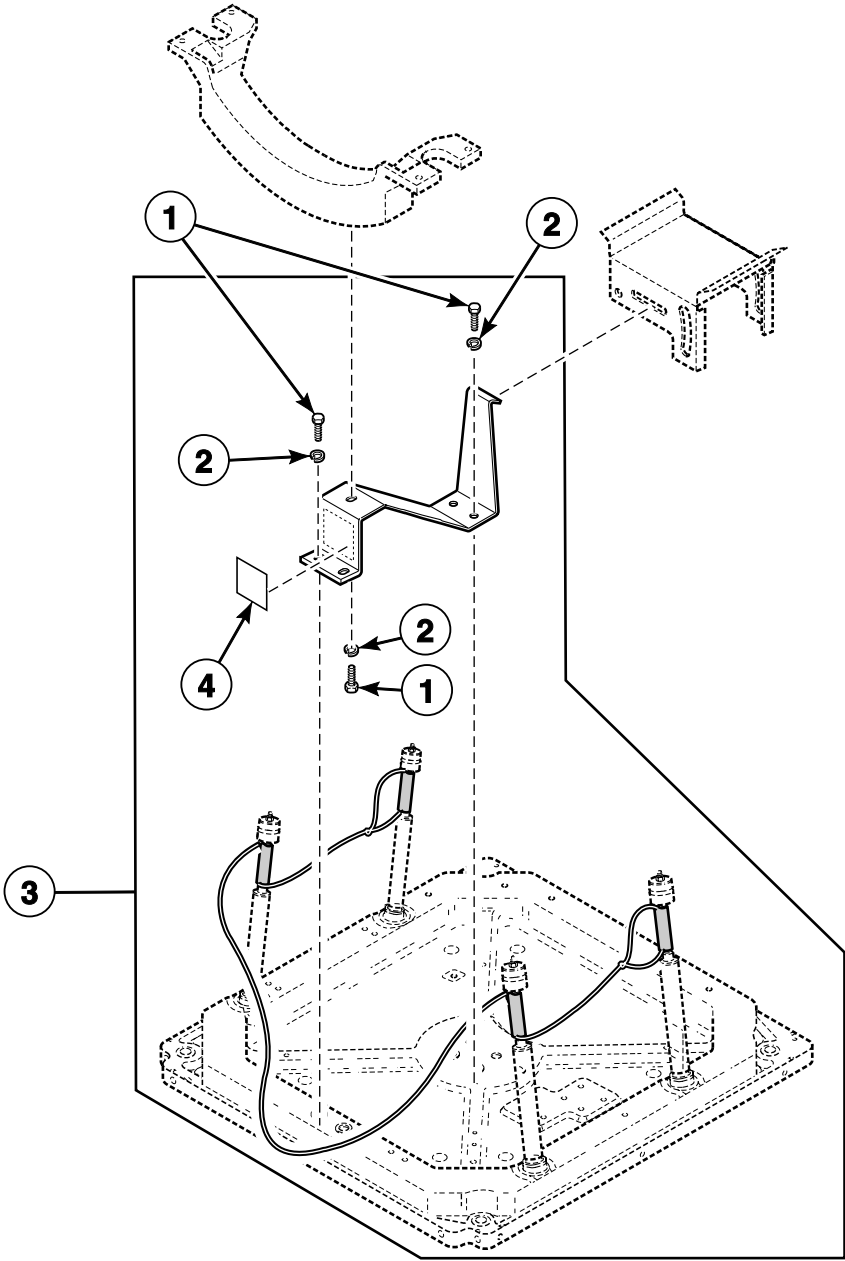
FLW1699P\_802739

## Junction Box and Power Cord

REF	PART NO.	DESCRIPTION	COMMENTS
1	801404	Junction Box Cover	
2	801425P	Junction Box Seal	4 required
3	801433	Lower Junction Box	
4	808048	Filter Jumper Harness	Line filter to power cord terminal block; All models except HFNBXFSP122DW01, HFNBXFSP542DW01, SFNBXFSG082JW01, SFNBXFSP122DW01 and SFNBXFSP542DW01
5	M402542	Snap Bushing	
6	201058	Line Filter	
7	802013	Wire Harness Assembly	Line filter to control harness; Models BFNBXFSP112FW01, BWFX71*N1127, HFNBXFSP112FQ01, HWFX71*N1127, HWR971*N1127, SFNBXFSG082JW01 and SWFX71*N1127
	801421	Wire Harness Assembly	Line filter to control harness; All models except BFNBXFSP112FW01, BWFX71*N1127, HFNBXFSP112FQ01, HFNBXFSP122DW01, HFNBXFSP542DW01, HWFX71*N1127, HWR971*N1127, SFNBXFSG082JW01, SFNBXFSP122DW01, SFNBXFSP542DW01 and SWFX71*N1127
8	804360	Junction Box	Upper; Model SFNBXFSG082JW01
	801403	Junction Box	Upper; All other models
9	D503661	Screw	
10	39922	Cable Connection Box	All models except SFNBXFSG082JW01
11	801450	Power Cord Assembly	Models HFNBXFSP302NW22, SFNBXFSP301NW22, SFNBXFSP302NQ01, SFNBXFSP302NW01, SFNBXFSP302NW22, SWFX71*N3000 and SWFX71*N5400
	808047	Power Cord Assembly	Models BFNBFLFSP301AW01, BFNBFLFSP302AW01, BFNBXFSP302AW01, BWFX71*N3050, SFNBXFSP302AW01, SWFA71*N3050, SWFF71*N3050, SWFX71*N3050 and SWFX71*N3051; Includes plug
	802012	Power Cord Assembly	Models BFNBXFSP112FW01, BWFX71*N1127, HFNBXFSP112FQ01, HWFX71*N1127, HWR971*N1127 and SWFX71*N1127
	801660	Power Cord Assembly	Includes plug; Models SFNSXRSP541NQ23 and SFNSXRSP541NW23
	808045	Power Cord Assembly	Model SWFA71*N3069
	808131	Lead-In Cord	Includes plug; Models BFNBFLFSP541NW01 and BFNBFLFSP542NW01
	804556	Lead-In Cord Assembly	Models HFNBXFSP122DW01, HFNBXFSP542DW01, SFNBXFSP122DW01 and SFNBXFSP542DW01
	204061	Power Cord Assembly	Includes plug; Model SFNBXFSG082JW01
12	60298	Strain Relief	Model SFNBXFSG082JW01
13	201405P	Lead-In Wire Harness Assembly	Models HFNBXFSP122DW01 and SFNBXFSP122DW01
	804680	Lead-In Wire Harness Assembly	Models HFNBXFSP542DW01 and SFNBXFSP542DW01

\* Add Letter To Designate Color. Q - Bisque W - White

# Shipping Materials



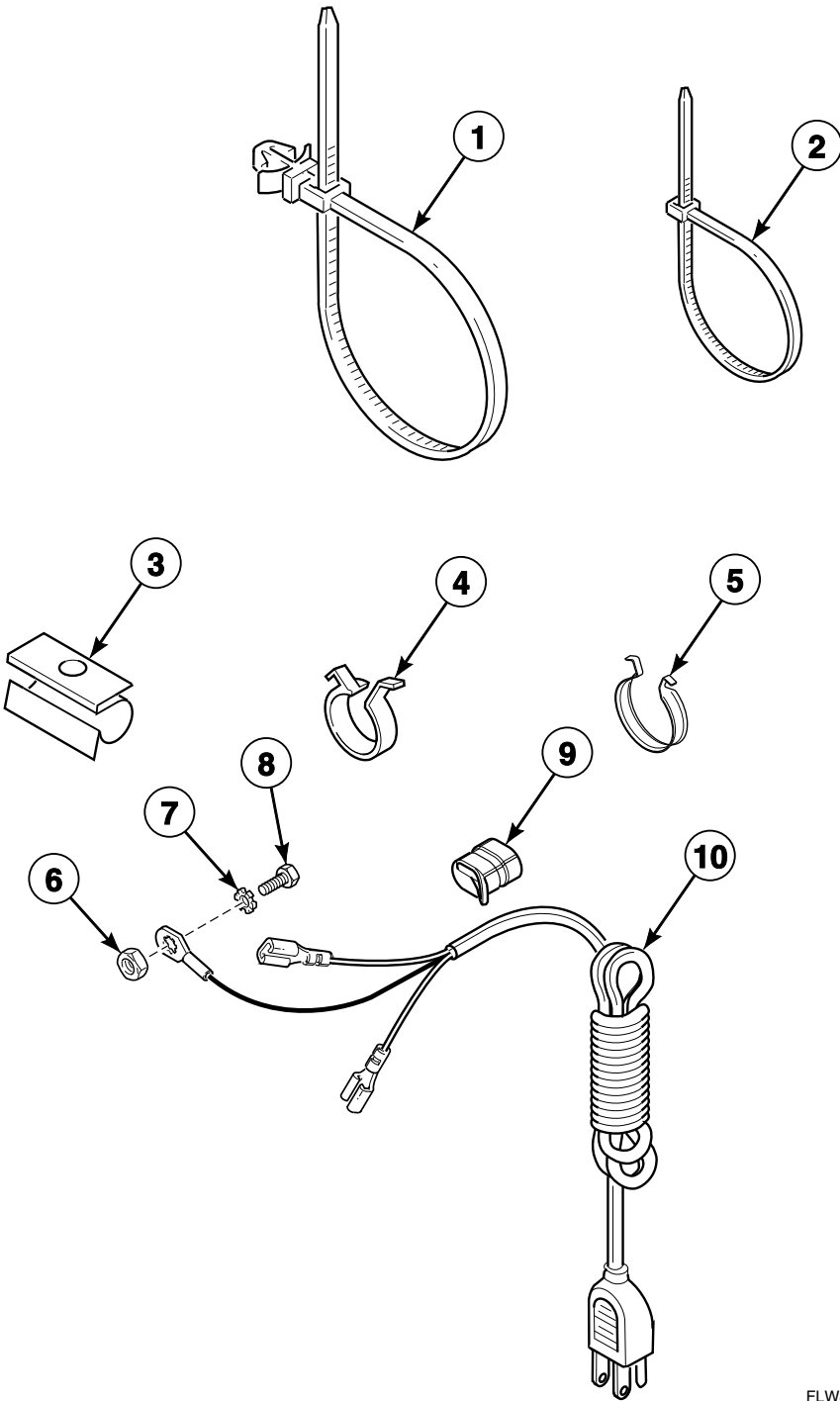
FLW1030P\_802739



# Shipping Materials

REF	PART NO.	DESCRIPTION	COMMENTS
1	F430116	Screw	
2	M400014	Washer	
3	930P3	Shipping Materials Kit	Includes items 1, 2, 4, shipping bracket, and shipping cord and brace assembly
4	807552	Shipping Bracket Label	

# Wire Ties, Harness Clips and Lead-In Cord



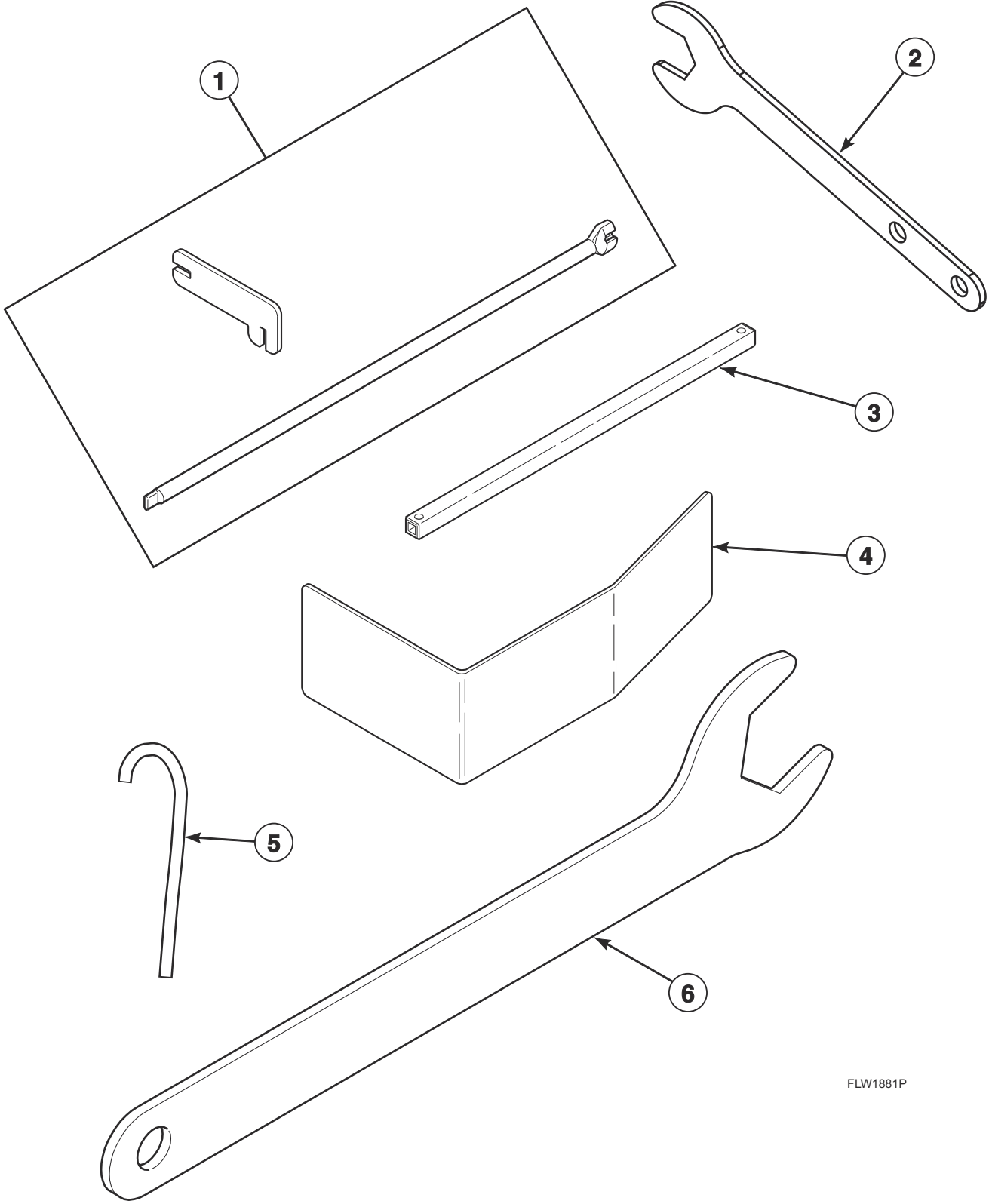
FLW823P\_802739

## Wire Ties, Harness Clips and Lead-In Cord

REF	PART NO.	DESCRIPTION	COMMENTS
1	38663	Wire Tie	4.83 inches
	M405829	Cable Tie	6.13 inches
2	55881	Harness Strap	
3	36985	Hose Clip	
4	D504034	Wire Clip	Small
5	687500	Wire Clip	Large
6	03673	Nut	
7	03815	Washer	
8	20530	Screw	
9	38384	Strain Relief	
10	34458	Lead-In Cord	Models BFNBCFSG111TN01, BFNBCFSG111TW01, BFNBCFSG112TN01, BFNBCFSG112TW01, BFNBEFSP111CN01, BFNBEFSP111CW01, BFNBEFSP111TN01, BFNBEFSP111TW01, BFNBEFSP112CN01, BFNBEFSP112CW01, BFNBYFSP112TW01, HFNBCFSG111TN01, HFNBCFSG112TN01, HFNBCFSG112TQ01, HFNBCFSG112TW01, HFNBCFSP111TN01, HFNBCFSP112TN01, HFNBCFSP112TQ01, HFNBCFSP112TW01, HFNBDRSP112TW01, HFNBDFSG112CW01, HFNBDFSP112CW01, HFNBDRSP112CW01, HFNBDFSP112CW01, HFNBERSP112CW01, HFNBXFSP112CW01, HFNBXRSP112FW28, HFNBXFSG112CW01, HFNBXFSP112CW01, HFNBXRSP112CW01, HFNCXFSP111CW01, HFNCXRSP111CW01, HFNSXRSP112CW01, HWFB71*N, HWFB71*N1102, HWFR71*N1102, HWFT71*N, HWFT71*N1102, HWFT73*N, HWFT73*N1102, HWFX71*N1102, HWFY71*N1102, HWFY73*N1102, HWR971*N1102, HWR973*N1102, HWRR71*N1102, HWRT71*N, HWRT71*N1102, HWRX71*N1102, HWRY71*N1102, SFNBCFSG112TQ01, SFNBCFSG112TW01, SFNBCFSP112TQ01, SFNBCFSP112TW01, SFNBDRSP111TW02, SFNBDRSP112TW01, SFNBDRSP112TW02, SFNBXFSG112TQ01, SFNBXFSG112TW01, SFNBXFSP112TQ01, SFNBXFSP112TW01, SFNBXRSP112TW01, SFNBXRSP112TW02, SFNBXFSG112TW01, SFNBXFSP112TW01, SFNBXRSP112TW01, SFNBXRSP112TW02, SFNBXFSG112TW01, SFNBXFSP112TW01, SFNBXRSP112TW01, SFNBXRSP112TW02, SFNCCFSP111TW01, SFNCCRSP111TW01, SFNCCRSP111TW02, SFNCXRSP111TW02, SFNCYFSP111TW01, SFNCYRSP111TW01, SFNSXRSP111TW02, SFNSXRSP112TQ01, SFNSXRSP112TW01, SFNSXRSP112TW02, SFNTRSP111TW02, SWFA71*N, SWFB71*N, SWFB72*N, SWFB73*N, SWFF71*N, SWFF73*N, SWFT71*N, SWFT73*N, SWFX71*N, SWFX73*N, SWFY71*N, SWFY73*N, SWR971*N, SWR973*N, SWRB71*N, SWRF71*N, SWRT71*N, SWRT73*N, SWRX71*N and SWRY71*N

\* Add Letter To Designate Color. Q - Bisque W - White

# Special Tools

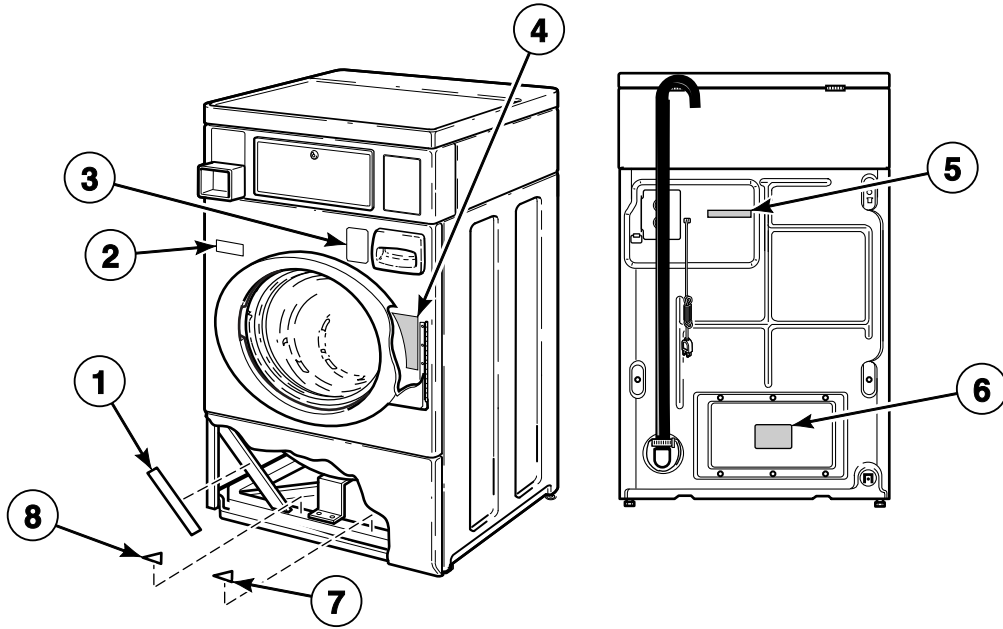


FLW1881P

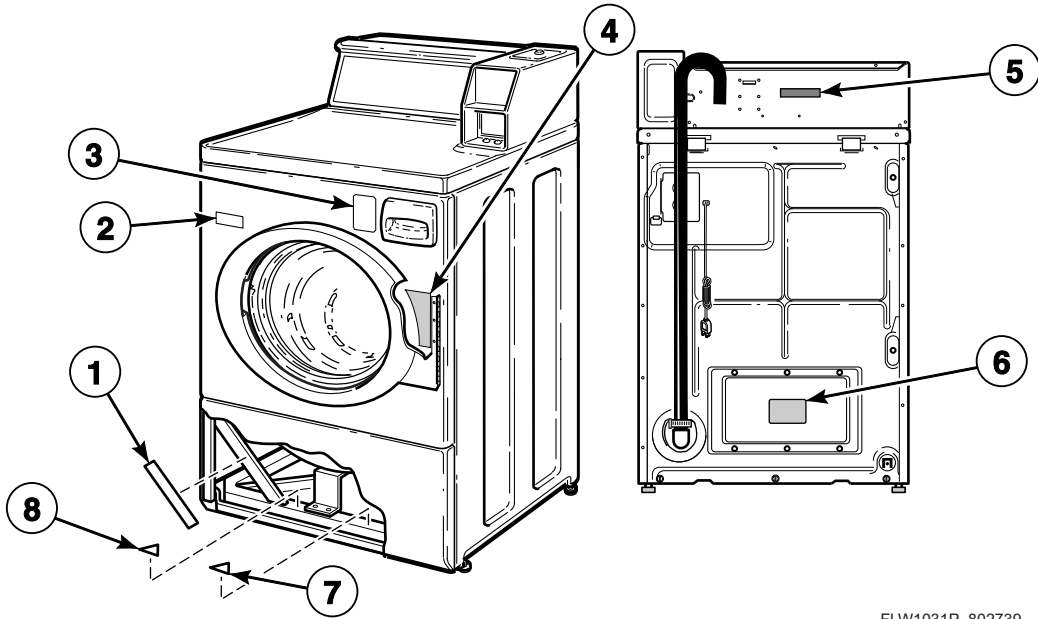
## Special Tools

REF	PART NO.	DESCRIPTION	COMMENTS
1	CK096	Mounting Tool Kit	Use to install and remove electronic coin drop kits
2	205655	Leveling Leg Locknut Wrench	
3	310P4	Ratchet Extension Tool	1/4 inch; Use to install and remove non-electronic coin drops
4	318P4	Dispenser Drawer Tool	Use to remove dispenser drawer
5	802336	Pulley Bolt Tightening Fixture	Use to install inner basket
6	392P4	Shock Adjusting Wrench	Use for adjusting leveling leg nuts

# Labels



Front Control Washers



Rear Control Washers

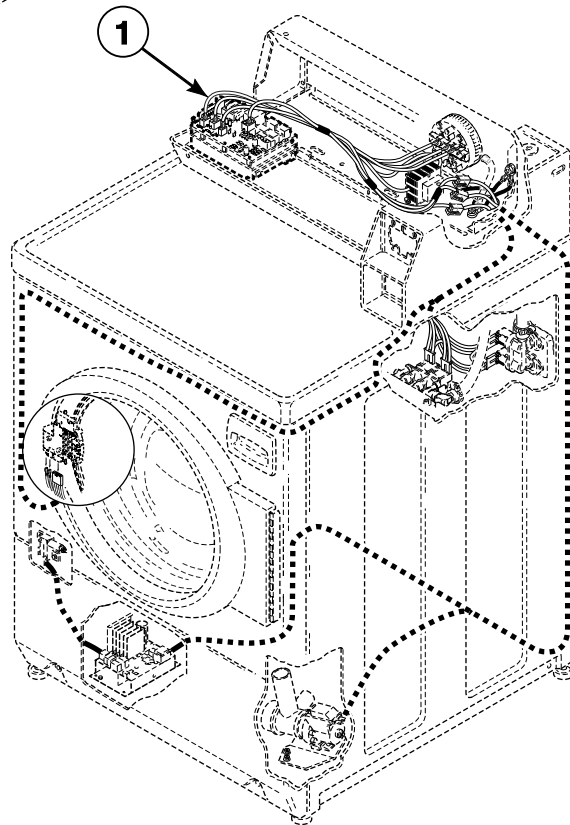
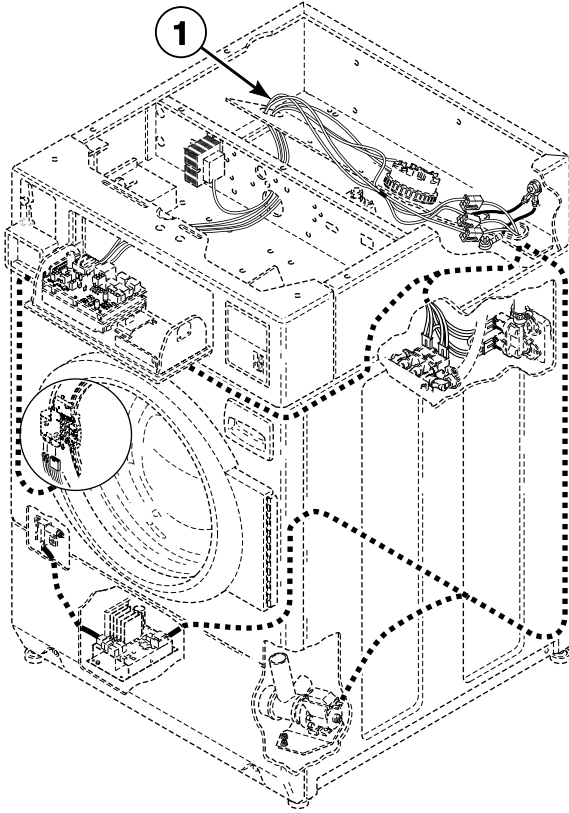
FLW1031P\_802739

# Labels

REF	PART NO.	DESCRIPTION	COMMENTS
1	803522	Warning Label	All models except BWFL74*N4000, BWFL75*N4000, BWFX74*N4000, BWFX75*N4000, HFNBXFSP302NW22, HWFY74*N4000, HWFY75*N4000, NWFL84*N4000, NWFL85*N4000, NWFX74*N4000, NWFX75*N4000, SFNBXFSP301NW22, SFNBXFSP302NW22, SWFA71*N3069, SWFL74*N4000, SWFX71*N3000, SWFX71*N5400, SWFX74*N4000 and SWFX75*N4000
2	803011	Notice Label	All models except BWFL74*N4000, BWFL75*N4000, BWFX74*N4000, BWFX75*N4000, HFNBXFSP302NW22, HWFY74*N4000, HWFY75*N4000, NWFL84*N4000, NWFL85*N4000, NWFX74*N4000, NWFX75*N4000, SFNBXFSP301NW22, SFNBXFSP302NW22, SWFA71*N3069, SWFL74*N4000, SWFX71*N3000, SWFX71*N5400, SWFX74*N4000 and SWFX75*N4000
3	802074	Oversudsing Label	English
	802838	Oversudsing Label	Spanish
	802839	Oversudsing Label	Quebec French
4	804500	Warning Label	Models HFNBXFSP122DW01, HFNBXFSP542DW01, SFNBXFSP122DW01 and SFNBXFSP542DW01
	802367	Warning Label	All other models
5	D505281	Disconnect Power Warning Label	English
	D502511	Electrical Shock Label	Icon
	804582	Warning Label	Models HFNBXFSP122DW01, HFNBXFSP542DW01, SFNBXFSP122DW01 and SFNBXFSP542DW01
6	D500049	Warning Label	English
	D500314	Warning Label	Quebec French
	D502511	Electrical Shock Label	Icon
7	F8615701	Pinch Warning Label	Models BWFL74*N4000, BWFL75*N4000, BWFX74*N4000, BWFX75*N4000, HFNBXFSP122DW01, HFNBXFSP302NW22, HFNBXFSP542DW01, HWFY74*N4000, HWFY75*N4000, NWFL84*N4000, NWFL85*N4000, NWFX74*N4000, NWFX75*N4000, SFNBXFSP122DW01, SFNBXFSP301NW22, SFNBXFSP302NW22, SFNBXFSP542DW01, SWFA71*N3069, SWFL74*N4000, SWFX71*N3000, SWFX71*N5400, SWFX74*N4000 and SWFX75*N4000
8	F8211201	Electrical Shock Label	Models BWFL74*N4000, BWFL75*N4000, BWFX74*N4000, BWFX75*N4000, HFNBXFSP122DW01, HFNBXFSP302NW22, HFNBXFSP542DW01, HWFY74*N4000, HWFY75*N4000, NWFL84*N4000, NWFL85*N4000, NWFX74*N4000, NWFX75*N4000, SFNBXFSP122DW01, SFNBXFSP301NW22, SFNBXFSP302NW22, SFNBXFSP542DW01, SWFA71*N3069, SWFL74*N4000, SWFX71*N3000, SWFX71*N5400, SWFX74*N4000 and SWFX75*N4000

\* Add Letter To Designate Color. N - Stainless Steel Q - Bisque W - White

## Wire Harnesses and Wires (Drawing 1 of 2)



FLW945P\_802739



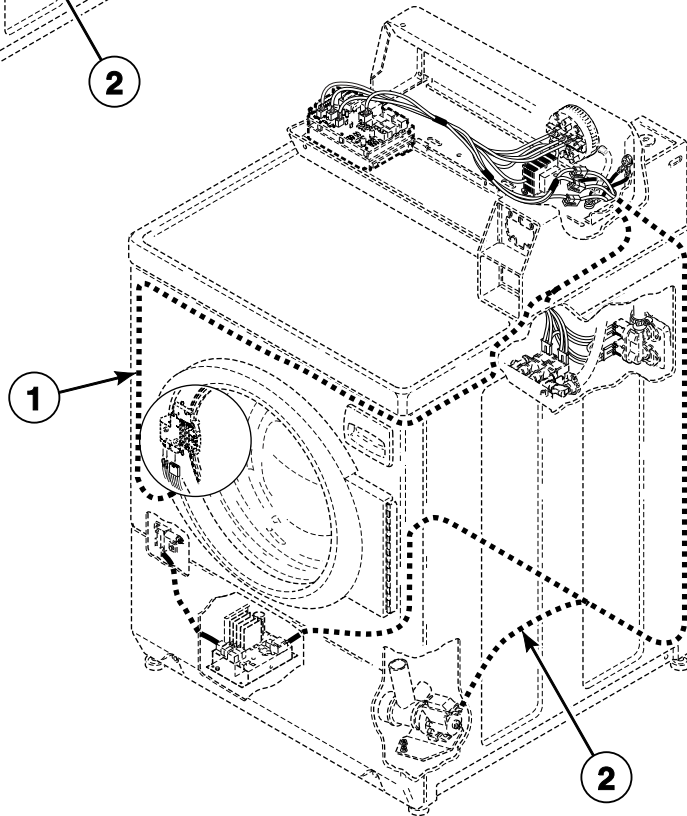
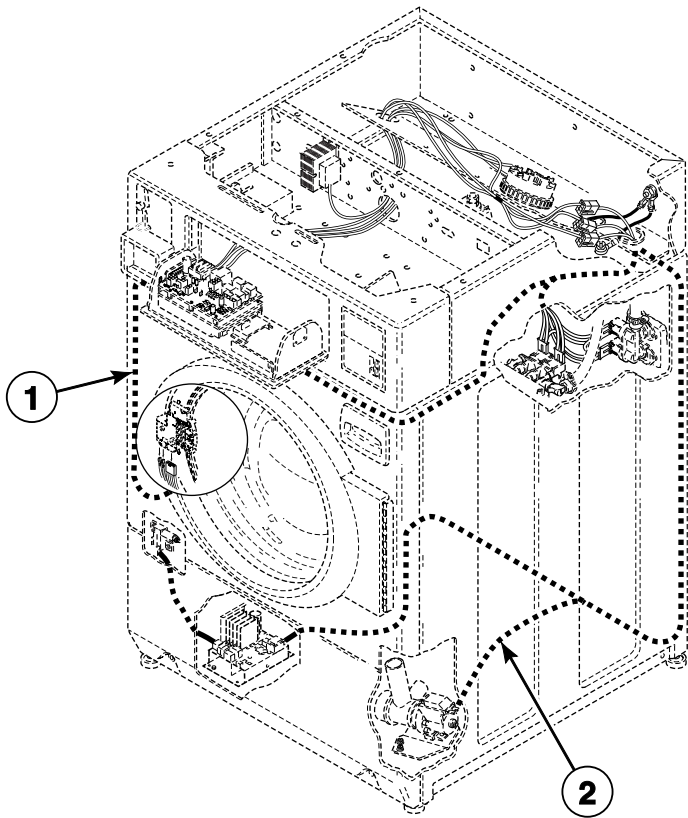
## Wire Harnesses and Wires (Drawing 1 of 2)

REF	PART NO.	DESCRIPTION	COMMENTS
	45001	18 Gauge Wire	Black; Order wire by foot and terminals and connectors as required
	45380	12 Gauge Wire	Orange; Order wire by foot and terminals and connectors as required
<b>1</b>	801064P	Front Control Harness Assembly	Models BFNBCFSG111TN01, BFNBCFSG111TW01, BFNBEFSP111CN01, BFNBEFSP111CW01, BFNBEFSP111TN01, BFNBEFSP111TW01, BWF71*N1127, HFNBCFSG111TN01, HFNBCFSP111TN01, HFNCXFSP111CW01, HWFB71*N, HWFB71*N1102, HWFR71*N1102, HWFT71*N, HWFT71*N1102, HWFT73*N, HWFT73*N1102, HWFX71*N1102, HWFX71*N1127, HWFY71*N1102, HWFY73*N1102, SFNCCFSP111TW01, SFNCYFSP111TW01, SWFA71*N, SWFA73*N, SWFB71*N, SWFB72*N, SWFB73*N, SWFF71*N, SWFF73*N, SWFT71*N, SWFT73*N, SWFX71*N, SWFX71*N1127, SWFX71*N5400, SWFX73*N, SWFY71*N and SWFY73*N
	801324P	Control Harness Assembly	Models HFNSXRSP112CW01, HWR971*N1102, HWR971*N1127, HWR973*N1102, SFNSXRSP111TW02, SFNSXRSP112TQ01, SFNSXRSP112TW01, SFNSXRSP112TW02, SFNXXRSP111TW01, SFNXXRSP111TW02, SWR971*N and SWR973*N
	801117	Control Harness Assembly	Models BWFL74*N4000, BWFL75*N4000, BWF74*N4000, BWF75*N4000, HWFY74*N4000, HWFY75*N4000, NWFL84*N4000, NWFL85*N4000, NWF74*N4000, NWF75*N4000, SWFL74*N4000, SWFL75*N4000 and SWFL84*N4000
	801281P	Rear Control Harness Assembly	Models HFNCXRSP111CW01, HWRR71*N1102, HWRT71*N, HWRT71*N1102, HWRX71*N1102, HWRY71*N1102, SFNBCRSP111TW02, SFNCCRSP111TW01, SFNCCRSP111TW02, SFNCYRSP111TW01, SWRB71*N, SWRF71*N, SWRT71*N, SWRT73*N, SWRX71*N and SWRY71*N
	801335	Control Harness Assembly	Models BFNBLFSP301AW01, BFNBLFSP541NW01, BWF71*N3050, SFNBXFSP301NW22, SWFA71*N3050, SWFA71*N3069, SWFF71*N3050, SWFX71*N3000, SWFX71*N3050, SWFX71*N3051 and SWFX71*N5400
	803108P	Harness Assembly	Models HFNBCRSP112TW01, HFNBDRSP112CW01, HFNBERSP112CW01, HFNBXRSP112FW28, HFNBYSRSP112CW01, SFNBCRSP112TW01, SFNBCRSP112TW02, SFNBXRSP112TW01, SFNBXRSP112TW02, SFNBYSRSP112TW01 and SFNXXRSP111TW02
	803107	Harness Assembly	Models BFNBCFSG112TN01, BFNBCFSG112TW01, BFNBEFSP112CN01, BFNBEFSP112CW01, BFNBFSP112FW01, BFNBYFSP112TW01, HFNBCFSG112TN01, HFNBCFSG112TQ01, HFNBCFSG112TW01, HFNBCFSP112TN01, HFNBCFSP112TQ01, HFNBCFSP112TW01, HFNBDFSG112CW01, HFNBDFSP112CW01, HFNBEFSP112CW01, HFNBXFSP112CW01, HFNBXFSP112FQ01, HFNBXFSP122DW01, HFNBYSFG112CW01, HFNBYSFSP112CW01, SFNBCFSG112TQ01, SFNBCFSG112TW01, SFNBFSP112TQ01, SFNBFSP112TW01, SFNBXFSG082JW01, SFNBXFSG112TQ01, SFNBXFSG112TW01, SFNBXFSP112TQ01, SFNBXFSP112TW01, SFNBXFSP122DW01, SFNBYSFG112TW01 and SFNBYSFSP112TW01
	801346P	Control Harness Assembly	Models SFNSXRSP541NQ23 and SFNSXRSP541NW23
	803313	Control Harness Assembly	Models BFNBLFSP302AW01, BFNBLFSP542NW01, BFNBFSP302AW01, HFNBXFSP302NW22, HFNBXFSP542DW01, SFNBXFSP302AW01, SFNBXFSP302NQ01, SFNBXFSP302NW01, SFNBXFSP302NW22 and SFNBXFSP542DW01

\* Add Letter To Designate Color. N - Stainless Steel Q - Bisque W - White

**NOTE:** Individual wires are not available separately. Order complete harness, or order wire by the foot. When applying terminals to wires, it is recommended that the terminals be soldered to the wires.

# Wire Harnesses and Wires (Drawing 2 of 2)



FLW945PA\_802739

## Wire Harnesses and Wires (Drawing 2 of 2)

REF	PART NO.	DESCRIPTION	COMMENTS
	205550	Laundry IQ Internal Retrofit Kit	Starting Serial No. 1601000001
	45001	18 Gauge Wire	Black; Order wire by foot and terminals and connectors as required
	45380	12 Gauge Wire	Orange; Order wire by foot and terminals and connectors as required
<b>1</b>	802350P	Base Harness Assembly	Models SWFA71*N3050, SWFA71*N3069, SWFF71*N3050, SWFX71*N3000, SWFX71*N3050 and SWFX71*N5400 through Serial No. 0704017167
	802833P	Base Harness Assembly	Models BFNBLFSP301AW01, BFNBLFSP302AW01, BFNBLFSP541NW01, BFNBLFSP542NW01, BFNBLFSP302AW01, BWFX71*N3050, HFNBXFSP302NW22, HFNBXFSP542DW01, SFNBXFSP301NW22, SFNBXFSP302AW01, SFNBXFSP302NQ01, SFNBXFSP302NW01, SFNBXFSP302NW22, SFNBXFSP542DW01, SFNSXRSP541NQ23, SFNSXRSP541NW23, SWFA71*N3050, SWFA71*N3069, SWFF71*N3050, SWFX71*N3000, SWFX71*N3050, SWFX71*N3051 and SWFX71*N5400 starting Serial No. 0704017168
	802349P	Base Harness Assembly	Models BWFL74*N4000, BWFL75*N4000, BWFX74*N4000, BWFX75*N4000, HWFY74*N4000, HWFY75*N4000, NWFL84*N4000, NWFL85*N4000, NWFX74*N4000, NWFX75*N4000, SWFL74*N4000, SWFX74*N4000 and SWFX75*N4000 through Serial No. 0704007393
	802834P	Base Harness Assembly	Models BWFL74*N4000, BWFL75*N4000, BWFX74*N4000, BWFX75*N4000, HWFY74*N4000, HWFY75*N4000, NWFL84*N4000, NWFL85*N4000, NWFX74*N4000, NWFX75*N4000, SWFL74*N4000, SWFX74*N4000 and SWFX75*N4000 starting Serial No. 0704007394 and continuing through Serial No. 1001000989
	803470	Base Harness Assembly	Models BWFL74*N4000, BWFL75*N4000, BWFX74*N4000, BWFX75*N4000, HWFY74*N4000, HWFY75*N4000, NWFL84*N4000, NWFL85*N4000, NWFX74*N4000, NWFX75*N4000, SWFL74*N4000, SWFX74*N4000 and SWFX75*N4000 starting Serial No. 1001000990
	802351P	Base Harness Assembly	All other models; Models through Serial No. 0709009264
	802831P	Base Harness Assembly	All other models; Models starting Serial No. 0709009265
<b>2</b>	802274P	Motor Harness Assembly	Models through Serial No. 1201004551
	803581	Motor Harness Assembly	Models starting Serial No. 1201004552

\* Add Letter To Designate Color. N - Stainless Steel Q - Bisque W - White

**NOTE:** Individual wires are not available separately. Order complete harness, or order wire by the foot. When applying terminals to wires, it is recommended that the terminals be soldered to the wires.



# Parts Index

## A

Access Panel Assembly	
D514250Q.....	51
D514250WP.....	51
D514251.....	51
Anchor	
155P3.....	73
Anchor Floor Mount Assembly	
802844P.....	73
Anti-Seize Compound	
27604P.....	65
Audit Switch Bracket	
800379.....	15, 17

## B

Backflow Preventer	
34500.....	53, 55, 57
800310.....	71
Ballast Weight	
800205.....	61, 63
Base Assembly	
803876.....	73
Base Harness Assembly	
802349P.....	89
802350P.....	89
802351P.....	89
802831P.....	89
802833P.....	89
802834P.....	89
803470.....	89
Base Shock Absorber Kit	
807875.....	61, 63
Bearing Housing Kit	
800428P.....	65
Bearing Kit	
RB160001.....	65
Bolt	
203798.....	31, 35
29651.....	11, 13, 19, 35
32184.....	41
Boot Nozzle	
802291.....	51, 53, 55
Brace Kit	
918P3.....	73
Bracket	
D510146.....	33, 35, 47
201918.....	41
803662.....	39
Bumper Pad	
36226.....	73

## C

Cabinet Brace	
801491.....	73
801492.....	73

Cabinet Panel Kit	
800004QP.....	73
800004WP.....	73
Cabinet Side Panel	
800004DG.....	73
800005DG.....	73
802525P.....	73
802526P.....	73
Cabinet Top Kit	
802247QP.....	11, 13
Cable Connection Box	
39922.....	77
Cable Tie	
M405829.....	81
39037.....	55
Cap	
801746.....	53, 55
Card Insert Overlay	
D511544.....	29
D511548.....	29
Card Reader and Bracket Assembly	
D510068P.....	29
Card Reader Assembly	
210045P.....	47
Card Reader Bracket	
210023.....	47
Card Reader Overlay	
800230.....	29
Card Reader Shield	
801101.....	47
Card Reader Wire Harness Assembly	
800125P.....	29, 47
Central Pay Harness	
D511478.....	7, 19, 43, 47
Clamp Ring	
800312.....	61, 63
Clip	
201572.....	27
Clothes Guard	
803537.....	61, 63
Clothes Guard and Deflector Kit	
804560P.....	61, 63
Clothes Guard Deflector	
804174P.....	61, 63
804482.....	61, 63
Coin Box Extension Kit	
803578P.....	31
Coin Drop	
38963P.....	25
70441601P.....	25, 31
70441603.....	25
Coin Drop Assembly	
CK114.....	25
38462P.....	25
38463.....	25
38464P.....	25
38467.....	25
38472.....	25
38519.....	25
38521.....	25
70441602.....	25, 31
70447301.....	25

N/A items do not appear in index.

70482401 .....	25
Coin Drop Kit	
CK090 .....	25
CK123 .....	25
Coin Drop Wire Harness	
201104 .....	27
Coin Funnel Kit	
523P3 .....	35
Coin Identification Paper	
38725 .....	25, 27, 31
Coin Slide Extension Kit	
D514228 .....	37
200913 .....	37, 39
Connector	
F140312 .....	75
801789 .....	23
Contactora	
F330177P .....	15, 19
Contactora Wire Harness Assembly	
801120P .....	15, 19
Control Assembly	
802400P .....	7, 19
802523P .....	45
803146P .....	7, 9, 19, 43, 47
Control Cabinet Bottom	
801777 .....	19
Control Harness Assembly	
801117 .....	87
801324P .....	87
801335 .....	87
801346P .....	87
803313 .....	87
Control Hood	
D502567Q .....	43, 45
D502567W .....	43, 45
D511253Q .....	47
D511253W .....	47
Control Hood Back Panel	
801735 .....	45
Control Kit	
800772P .....	7, 43, 47
802076P .....	7
Control Panel	
801737B .....	19
801737W .....	19
Control Panel and Bracket Assembly	
800035B .....	7, 9
800035Q .....	7, 9
800035W .....	7, 9
800142Q .....	45
800142W .....	45
800149Q .....	43
800149W .....	43
Control Panel and Stud Assembly	
800710Q .....	47
800710W .....	47
Control Panel Overlay	
800033 .....	7
800228 .....	47
800413 .....	7
800416 .....	7
801190 .....	47
801191 .....	47
801521 .....	45
801523 .....	45

Control Shield	
210053 .....	43, 47
801061 .....	67
801371 .....	15, 17, 19
804738 .....	67

## D

Detergent Cover	
800899 .....	53, 55
Diagnostic Wire Harness Assembly	
800374 .....	7, 9
Disconnect Power Warning Label	
D505281 .....	33, 35, 43, 45, 47, 85
Dispenser	
685756P .....	55
801090P .....	55
Dispenser Assembly	
801476P .....	55
801630P .....	53
801662P .....	53
Dispenser Drawer	
685757P .....	53, 55
Dispenser Drawer Front	
685715QP .....	53, 55
685715WP .....	53, 55
Dispenser Drawer Tool	
318P4 .....	83
Dispenser Handle	
802879P .....	55
Dispenser Plate	
801024 .....	53, 55
Dispenser-to-Door Seal Hose	
802256 .....	51, 53, 55
Dispenser-to-Tub Hose	
800331 .....	53, 55
Door Assembly	
802872P .....	49
804914QP .....	49
804914WP .....	49
Door Catch Assembly	
802803 .....	49
Door Glass	
802695P .....	49
Door Hinge	
802934 .....	49
Door Latch/Switch Assembly	
802317P .....	51
Door Seal Assembly	
802866P .....	51, 53, 55
Door Seal Kit	
802830P .....	51, 53, 55
Drain Hose	
27154 .....	71
Drain Hose Elbow	
35766 .....	71
Drain Kit	
985P3 .....	71
Drain Pump	
802623P .....	71
802624P .....	71
802625P .....	71

N/A items do not appear in index.

Drain Valve	
803293P .....	69
Drain Valve Kit	
F975P3 .....	69
F976P3 .....	69
Drain-to-Cabinet Hose	
800903 .....	69
Drive Belt	
800319P .....	67
Driven Pulley	
800866 .....	65
Dual Overlay	
39073 .....	23, 31

## E

Electric Access Panel	
801134 .....	21
Electrical Shock Label	
D502511 .....	63, 85
F8211201 .....	59, 85
Electronic Coin Drop Assembly	
70294104 .....	27
70294107 .....	27
70294109 .....	27
70294110 .....	27
70294111 .....	27
70294120 .....	27
70294121 .....	27
70294122 .....	27
70513302 .....	27
70513306 .....	27
Electronic Coin Drop Kit	
CK099 .....	27
CK100 .....	27
CK101 .....	27
CK103 .....	27
CK106 .....	27
CK109 .....	27
CK110 .....	27
CK113 .....	27
CK115 .....	27
CK120 .....	27
CK121 .....	27
CK125 .....	27
End Cap	
210108W .....	47
210109W .....	47
Expansion Clip	
70030501 .....	19

## F

Fill Hose	
F200116 .....	57
202799 .....	57
202800 .....	57
202931 .....	57
20617 .....	57
20618 .....	57
37380 .....	57
Fill Hose Kit	
38349P .....	57

Filter	
801255P .....	21
Filter Jumper Harness	
808048 .....	77
Fitting	
801792P .....	21
Front Control Harness Assembly	
801064P .....	87
Front Overlay	
801037 .....	7
801050 .....	7, 9
801053 .....	7, 9
801761 .....	7
Front Panel	
802277QP .....	51
802277WP .....	51
802288P .....	51
Front Panel Pad	
204552 .....	51
Fuse	
801755 .....	67

## G

Gasket	
802427 .....	71
Glass Mounting Clip	
802700 .....	49
Graphic Overlay	
800414 .....	43
801762 .....	19
801983 .....	19
802868 .....	19
Gravity Drain Bracket	
803291 .....	69
Gravity Drain Valve	
803292P .....	69
Grommet	
29175 .....	59, 63
Grounding Clip	
00161 .....	61, 63

## H

Hardware Kit	
838P3 .....	65
Harness Assembly	
802904P .....	25, 31
802905 .....	25, 27, 31
803107 .....	87
803108P .....	87
Harness Strap	
55881 .....	51, 53, 81
Heater Harness	
802323P .....	63
803492 .....	63
Heating Element	
804777P .....	63
804778P .....	63
Hinge	
804676 .....	11, 13, 19

N/A items do not appear in index.

Hinge Attachment Kit 807865 .....	49
Hinge Plate 802206 .....	51
Hole Plug M412154 .....	73
Hood Back Plate D505798 .....	43
Hose Clamp F200204 .....	71
F200206 .....	53, 55
20211 .....	71
20391 .....	71
39282 .....	59, 63
685725 .....	53, 55, 69
802164 .....	51, 53, 55, 57
802281 .....	51
802698 .....	51, 53, 55
Hose Clip 36985 .....	15, 17, 19, 59, 81
800553 .....	65
Hose Mounting Plate 800552 .....	65

## I

Injection Nozzle F8322001 .....	53
Inner Basket Assembly 802365P .....	65
803008P .....	65
804322 .....	65
Inner Door Bezel Kit 808095 .....	49
808096 .....	49
Insert 685716 .....	53, 55
Instruction Label 685942 .....	23, 29
Inverter Control Assembly 803254P .....	67
803255P .....	67

## J

Jumper Assembly D513131 .....	45
Jumper Configuration Assembly M413507 .....	15, 17, 45
Jumper Harness D513268 .....	67
D513316 .....	67
Jumper Harness Assembly M413504 .....	17
Junction Box 801403 .....	77
804360 .....	77
Junction Box Cover 801404 .....	77
801498 .....	75
Junction Box Seal 801425P .....	75, 77

## K

Key 54612 .....	11, 13
--------------------	--------

## L

Laundry IQ Internal Retrofit Kit 205550 .....	89
Lead-In Cord 34458 .....	81
808131 .....	77
Lead-In Cord Assembly 804556 .....	77
Lead-In Wire Harness Assembly 201405P .....	77
804680 .....	77
Left Control Cabinet Side 801738B .....	19
801738W .....	19
Left Hand Thread Label 685928 .....	73
804949 .....	73
Leveling Leg 34319 .....	73
Leveling Leg Locknut Wrench 205655 .....	83
Lid Assembly 802426P .....	71
Light 801431 .....	45
801432 .....	45
Line Filter 201058 .....	21, 77
Lock Cam 27261 .....	11, 13
Lock Kit 27260P .....	11, 13
Lower Junction Box 801433 .....	77
801499 .....	75

## M

Membrane Switch 210010P .....	7, 19
Meter Case Assembly 202877Q .....	31
202877W .....	31
801330Q .....	35
801330W .....	35
802505Q .....	31
803042W .....	35
803575W .....	35
807406W .....	31
Meter Case Assembly Kit 807401W .....	31
Meter Case Bracket Gasket 35526 .....	31, 35
Meter Case Gasket 26354 .....	31, 35

N/A items do not appear in index.



Meter Case Lockdown Bracket 35525 .....	31, 35
Meter Case Locking Bracket Kit 204616 .....	31, 35, 41
Mixing Valve 802220P .....	57
802222P .....	57
Mixing Valve Plate 800323 .....	57
Mixing Valve Screen 802926 .....	57
Motor Access Hole Edging 801702 .....	73
Motor and Rod Assembly Kit 801684P .....	67
Motor Harness Assembly 802274P .....	89
803581 .....	89
Motor Mount Rod 801062 .....	67
Motor Speed Switch 800404 .....	45
Mounting Tool Kit CK096 .....	83

## N

Network Varistor Assembly 801311 .....	21
Notice Label 803011 .....	85
Nut F430218 .....	61, 63, 65
M412986 .....	35
03673 .....	81
201216 .....	27
21899 .....	73
23951 .....	41, 49
24205 .....	45
27222 .....	33, 35
29786 .....	25, 27, 31, 35, 69
29787 .....	21
36020 .....	11, 13, 51
44087201 .....	11, 13, 19
52566 .....	43, 45
52947 .....	45
685846 .....	49
70054 .....	29, 47
800452 .....	59, 63, 65
802292 .....	51, 53, 55
802337 .....	31, 35
802343 .....	61, 63
803017 .....	65

## O

Operating Instruction Label 801217 .....	23, 29
803594 .....	23, 29
803595 .....	31, 35
Opto Coupler 200674P .....	25, 31

O-Ring F170208 .....	53
802429P .....	71
Outer Door Bezel Kit 802313QP .....	49
802313WP .....	49
802314P .....	49
Outer Tub Assembly 801081P .....	61
801291 .....	63
Out-of-Balance Switch Assembly 803415 .....	59, 63
Out-of-Balance Switch Assembly Kit 806512 .....	59, 63
Overlay 201091 .....	27
210131 .....	29
801872 .....	7
802510 .....	7
803434 .....	7, 9
803535 .....	19
803597 .....	7, 9, 43, 47
Overlay Kit 38676 .....	23
Oversudsing Label 802074 .....	85
802838 .....	85
802839 .....	85

## P

Panel Locator 56079 .....	23, 29, 51, 73
Pinch Warning Label F8615701 .....	59, 85
Pinched Fingers Label D502506 .....	63
Pop Rivet 685847 .....	11, 13, 19, 65
70058501 .....	33, 35, 47
Porcelain Touch-Up Paint 122P4P .....	73
370P4P .....	73
Power Cord Assembly 204061 .....	77
801450 .....	77
801660 .....	77
802012 .....	77
808045 .....	77
808047 .....	77
Pressure Bulb Assembly 205241 .....	59, 63
Pressure Switch 802299P .....	15, 17, 19, 43, 45, 47
Pulley Bolt Tightening Fixture 802336 .....	83
Pump Housing 802428 .....	71
Pump Housing Assembly 802434P .....	71
Pump Mount Bracket 802626 .....	71
Pump-to-Elbow Hose 685737 .....	71

N/A items do not appear in index.

---

## R

Ratchet Extension Tool 310P4 .....	83
Rear Access Panel 800011 .....	73
Rear Control Cabinet 801058 .....	19, 21
Rear Control Harness Assembly 801281P .....	87
Rear Control Hood Panel 801165 .....	47
Rear Control Operating Instruction Label 800137 .....	31, 35
Rear Control Panel Harness Assembly 802786 .....	45
Rear Overlay 801052 .....	43
801055 .....	43
Rear Panel 800010P .....	73
801216 .....	73
801629 .....	73
Relay 431349 .....	75
Relay Mounting Bracket 801501 .....	75
Resistor 210100 .....	15, 17, 19, 45
Retaining Ring 23748 .....	67
Right Control Cabinet Side 800915B .....	19
800915Q .....	19
800915W .....	19
Rubber Foot 34318 .....	73

---

## S

Screw	
D501086 .....	43, 45, 47, 57
D501524 .....	7, 9, 19, 43, 45, 47, 67
D503661 .....	15, 17, 19, 21, 33, 35, 43, 45, 47, 51, 57, 59, 63, 67, 69, 71, 73, 75, 77
D503673 .....	31, 33, 35
D503688 .....	15, 17, 19, 21, 23, 29, 37, 39, 41
D512921 .....	23, 51, 73
F430116 .....	65, 79
M400057 .....	67
M405188 .....	15, 17, 19
02916 .....	43, 45, 69
20530 .....	33, 35, 47, 81
23008 .....	11, 13
27328 .....	37
31645 .....	73
36048 .....	31, 35
39733 .....	23, 29, 51, 73
430497 .....	73
51782 .....	37
52864 .....	43, 45, 47
52909 .....	71
685831 .....	65

70240301 .....	19, 21
800461 .....	59, 63
800462 .....	61, 63, 65
800548 .....	49, 51, 53, 55
800930 .....	19
801001 .....	53, 55
801045 .....	51
801993 .....	49
802430 .....	71
802431 .....	71
802596 .....	61, 63
808210 .....	49
Sealant 27615T-1 .....	69, 71
Security Cabinet Front Assembly D511209Q .....	29
D511209WP .....	29
D511633B .....	23
D511633QP .....	23
D511633WP .....	23
Security Cabinet Wrapper Assembly 801235B .....	23
801235Q .....	23, 29
801235W .....	23, 29
801780Q .....	23
801780W .....	23
Security Kit 905P3 .....	41
Service Door Assembly 39874QP .....	31, 35
39874WP .....	31, 35
803043WP .....	31, 35
Shipping Bracket Label 807552 .....	79
Shipping Materials Kit 930P3 .....	79
Shock Adjusting Wrench 392P4 .....	83
Side Panel Kit 800005QP .....	73
806492 .....	73
Single Overlay 202123 .....	31
38717 .....	23, 31
Snap Bushing D503235 .....	69
M402542 .....	15, 17, 19, 21, 75, 77
Spring F8504601 .....	69
804794 .....	39
Stainless Steel Top D512967 .....	11, 19
Standpipe Strap 33489 .....	71
Strain Relief 38384 .....	81
60298 .....	77
Supply Injection Wire Harness Assembly 801518 .....	75
Switch D512973 .....	15, 17, 31, 35
201952 .....	37
431159 .....	39
Switch Assembly 55882 .....	45

N/A items do not appear in index.

Switch Knob	
39897	45
Switch Mounting Bracket	
800663	59, 63
803388	59, 63

## T

Temperature Switch	
685595	45
Tension Rod Assembly	
800666	65
Terminal Block Assembly	
D505876	21, 75
801250	21
801756	21
Thermistor	
803256	63
Top and Gusset Assembly	
802247QP	11, 13, 19
802247WP	11, 13, 19
Top Hinge	
D510136	73
Top Kit	
D511527QP	33, 35
D511527WP	33, 35
803144P	11, 13
Top Panel Kit	
D511530WP	47
Transformer	
201375P	15, 17, 27, 43, 47
210018P	15, 17, 43, 45, 47
803527P	15, 17, 19, 45
Trunnion Shaft and Hardware Kit	
800749P	65
Tub Front Assembly	
802258	61
802260	63
803494	63
Tub Front Seal	
800432P	61, 63, 65
Tub Shock Absorber Kit	
800622P	61, 63
Tubing	
33324	59
685751	59
800648P	59, 63
801635	53
Tub-to-Drain Hose	
800902	69
Tub-to-Pump Hose	
800317	71

## U

Union	
801788	23
Upper Junction Box	
801497	75

## V

Valve Kit	
685766P	53, 55
801836P	55
Valve-to-Dispenser Inlet Hose	
801464	53, 55, 57

## W

Warning Label	
D500049	59, 85
D500314	59, 85
D500316	33, 35, 43, 45, 47
800632	67
802367	85
803522	85
804500	85
804582	85
Washer	
M400014	79
M400017	43, 45, 69
M400080	67
M400081	59, 63
M403958	65
02431	43, 45
02834	67
03815	37, 81
200608	43, 47
20290	57
25100	41
25820	45
52549	67
800457	61, 63, 65
802254	57
802293	51, 53, 55
803615	57
807679	65
91029	45
Wire Clamp	
800811	59, 63
Wire Clip	
D504034	81
687500	51, 53, 55, 81
Wire Guard	
201595P	25, 31
Wire Harness Assembly	
801261	21
801421	77
802013	77
Wire Ring and Spring	
806466	51
Wire Tie	
38663	81
Wire, 12 Gauge	
45380	87, 89
Wire, 18 Gauge	
45001	87, 89
Wiring Harness Assembly	
202869	19, 47
Wrapper and Channel Assembly	
D505753BP	23
D505753QP	23, 29
D505753WP	23, 29

