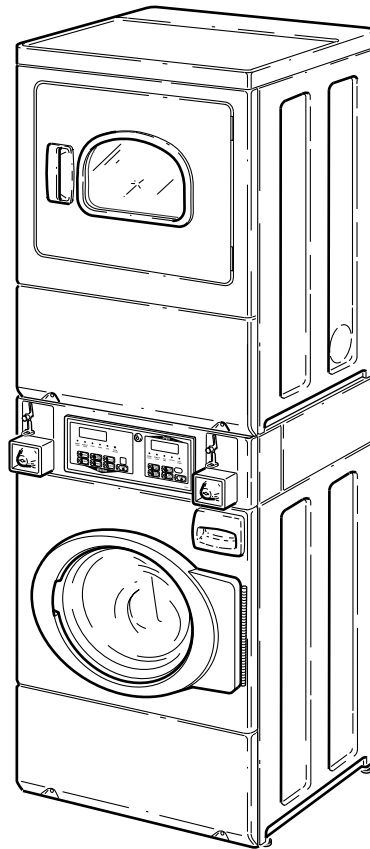


# Commercial Stacked Washer/ Dryers

Refer to Page 5 for Model Numbers



SWD447C\_802747

**Alliance**<sup>™</sup>  
Laundry Systems

[www.alliancelandry.com](http://www.alliancelandry.com)

Part No. 802747R16  
December 2024

Parts



# Table of Contents

Title	Page
Parts Ordering Information.....	3
Serial Plate Location .....	3
Model Identification .....	5
Control Panel and Controls (Drawing 1 of 2) .....	6
Control Panel and Controls (Drawing 2 of 2) .....	8
Control Cabinet Controls (Drawing 1 of 2) .....	10
Control Cabinet Controls (Drawing 2 of 2) .....	12
Electrical Access Panel, Filters and Terminal Block .....	14
Cabinet Wrapper and Coin Drop.....	16
Electronic Coin Drop .....	18
Cabinet Wrapper and Card Reader .....	20
Control Cabinet and Controls.....	22
Electrical Access Panel, Filters and Terminal Block .....	24
Washer Front Panel and Door Assembly.....	26
Dispenser Assembly and Door Seal .....	28
Mixing Valve, Valve-to-Dispenser Inlet Hose and Fill Hose .....	30
Tub Front and Clamp Ring.....	32
Heating Element .....	34
Outer Tub.....	36
Inner Basket, Trunnion, Bearing Housing and Pulley .....	38
Washer Motor and Belt .....	40
Drain Hoses and Valve .....	42
Hoses and Pump .....	44
Washer Base, Side Panels and Rear Panel .....	46
Junction Box and Power Cord .....	48
Wire Ties, Harness Clips and Washer Lead-In Cord .....	50
Dryer Loading Door with Window (Drawing 1 of 3).....	52
Dryer Loading Door with Window (Drawing 2 of 3).....	54
Dryer Loading Door with Window (Drawing 3 of 3).....	56
Dryer Access Panel, Front Panel and Seal.....	58
Dryer Motor, Blower Fan and Belt.....	60
Blower and Fan Kit.....	62
Thermistor and Thermostat.....	64
Front Bulkhead, Air Duct, Felt Seal and Cylinder .....	66
Rear Bulkhead, Felt Seal, Cylinder Roller and Terminal Block.....	68
Heater Duct and Element Assembly (Drawing 1 of 2).....	70
Heater Duct and Element Assembly (Drawing 2 of 2).....	72
Heater Duct Assembly .....	74
Gas Valve, Igniter and Gas Conversion Kits.....	76
Burner Orifice Spuds - For Higher Elevations.....	78
Dryer Cabinet, Exhaust Duct and Base .....	80
Dryer Power Cord .....	82

© Copyright 2024, Alliance Laundry Systems LLC

All rights reserved. No part of the contents of this book may be reproduced or transmitted in any form or by any means without the expressed written consent of the publisher.

Dryer Motor Connection Block, Terminal Extractor Tools .....	84
Terminals .....	86
Shipping Materials .....	88
Labels .....	90
Special Tools .....	92
Dryer Wire Harnesses and Wires.....	94
Dryer Wire Harnesses and Wires - Models Through Serial Nos. Beginning 0904.....	96
Dryer Wire Harnesses and Wires - Models Starting Serial Nos. Beginning 0904.....	98
Dryer Wire Harnesses and Wires - Models Starting Serial Nos. Beginning 0904 and Continuing Through Serial Nos. Beginning 1303 .....	100
Dryer Wire Harnesses and Wires - Models Starting Serial Nos. Beginning 1303.....	102
Washer Wire Harnesses and Wires (Drawing 1 of 2) .....	104
Washer Wire Harnesses and Wires (Drawing 2 of 2) .....	106
Parts Index.....	109

## Parts Ordering Information

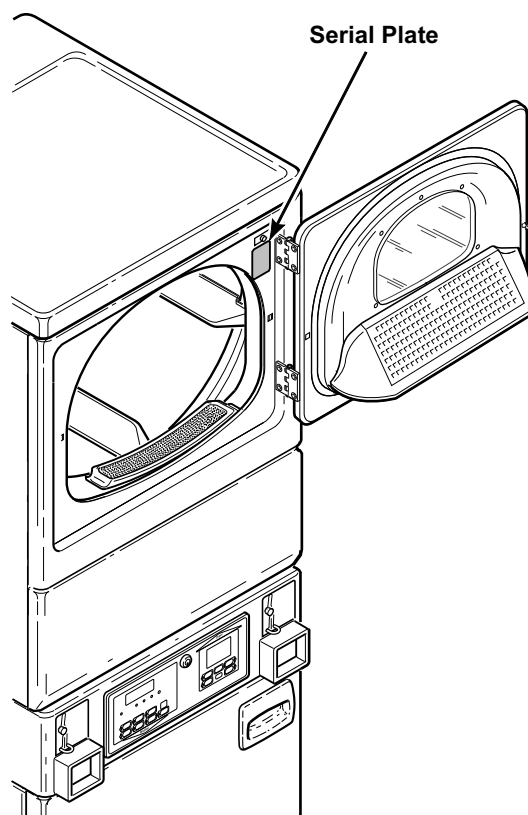
If literature or replacement parts are required, contact the source from whom the machine was purchased or contact Alliance Laundry Systems at (920) 748-3950 for the name and address of the nearest authorized parts distributor.

For technical assistance, call the number listed below:

(920) 748-3121 Ripon, Wisconsin

## Serial Plate Location

When calling or writing about your product, be sure to mention model and serial numbers. Model and serial numbers are located on the serial plate(s) as shown.



SWD1165P\_802747



## Model Identification

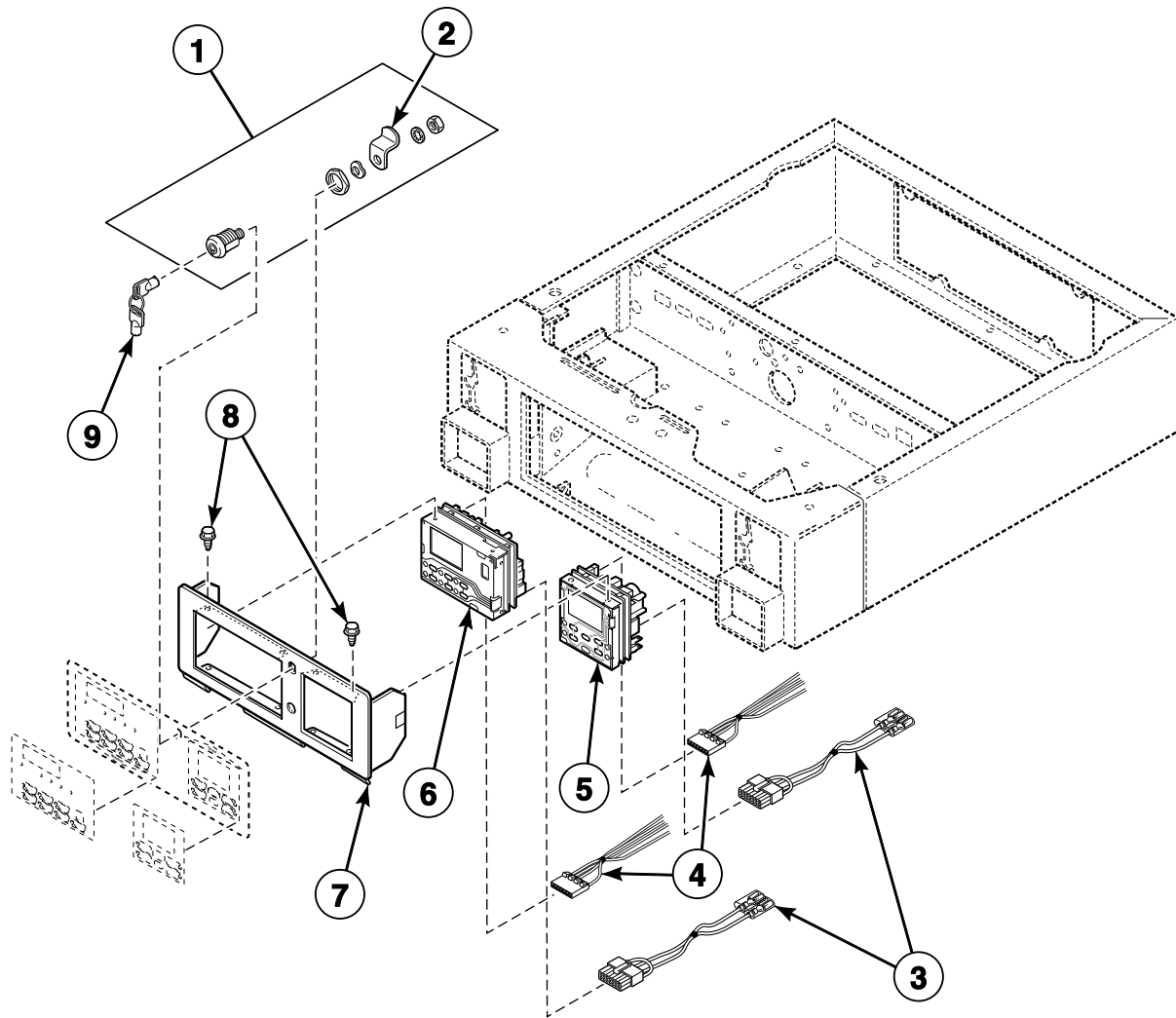
Information in this manual is applicable to these washer/dryer models:

BTEBCFSP171TW01	HTEB77*N2802	NTEBXFSP302NW01	STEX77*N2827
BTEBCFSP172TW01	HTEBCFSP172TW01	NTEBXFSP302NW22	STEX77*N3000
BTEBEFSP171TW01	HTEBDFSP282CW01	NTEL77*N4064	STEX77*N4064
BTEBEFSP281CW01	HTEBXFSP132DW01	NTEX77*N3000	STEX77*N4350
BTEBEFSP282CW01	HTEBXFSP172FW28	NTEX77*N4064	STEX77*N4351
BTEBLFSP431AW01	HTEBXFSP282CW01	NTEX77*N4067	STEX77*N5400
BTEBLFSP432AW01	HTEBXFSP292CW01	NTEX77*N5400	STEX77*N5754
BTEBXFSP172FW01	HTEBXFSP542DW01	NTGBXFSP302NW01	STEY77*N
BTEBXFSP432AW01	HTEBYFSP282CW01	NTGL79*N4067	STEY77*N4064
BTEBYFSP172TW01	HTET77*N	NTGX79*N3000	STEY77*N5754
BTEL75*N4065	HTET77*N2802	NTGX79*N4067	STGA73*N
BTEL77*N4065	HTEX77*N2802	STEA77*N	STGA79*N
BTEX75*N4065	HTEX77*N2902	STEA77*N3069	STGB79*N
BTEX77*N1727	HTEY77*N	STEB77*N	STGBCFSP112TW01
BTEX77*N4065	HTEY77*N2802	STEBCFSP172TQ01	STGBXFSP112TW01
BTEX77*N4350	HTGB79*N0902	STEBCFSP172TW01	STGBXFSP112TW01
BTGBCFSP111TW01	HTGBCFSP112TW01	STEBXFSP132DW01	STGBXFSP122DW01
BTGBCFSP112TW01	HTGBDFSP092CW01	STEBXFSP172TQ01	STGBXFSP301NW22
BTGBEFSP091CW01	HTGBXFSP112FW28	STEBXFSP172TW01	STGBXFSP302AW01
BTGBEFSP111TW01	HTGBXFSP122DW01	STEBXFSP301NW22	STGBXFSP302NW01
BTGBLFSP301AW01	HTGBXFSP542DW01	STEBXFSP302NW01	STGBXFSP302NW22
BTGBLFSP302AW01	HTGBYFSP092CW01	STEBXFSP302NW22	STGBXFSP542DW01
BTGBXFSP112FW01	HTGBYFSP112TW01	STEBXFSP432AW01	STGBYFSP112TW01
BTGBXFSP302AW01	HTGT79*N	STEBXFSP542DW01	STGF79*N
BTGBYFSP112TW01	HTGT79*N0902	STEBXFSP542NW01	STGT79*N
BTGX79*N1127	HTGX79*N0902	STEBYFSP172TW01	STGX73*N
BTGX79*N3060	HTGY79*N	STEF77*N	STGX79*N
	HTGY79*N0902	STEF77*N4350	STGX79*N3000
		STET77*N	STGX79*N3060
		STEX77*N	STGX79*N3061
			STGY79*N

\* Add Letter To Designate Color. Q - Bisque W - White

# Control Panel and Controls (Drawing 1 of 2)

All Models Except BTEBLFSP431AW01, BTEBLFSP432AW01, BTEL75\*N4065, BTEL77\*N4065, BTGBLFSP301AW01, BTGBLFSP302AW01, NTEL77\*N4064 and NTGL79\*N4067



SWD1272P\_802747



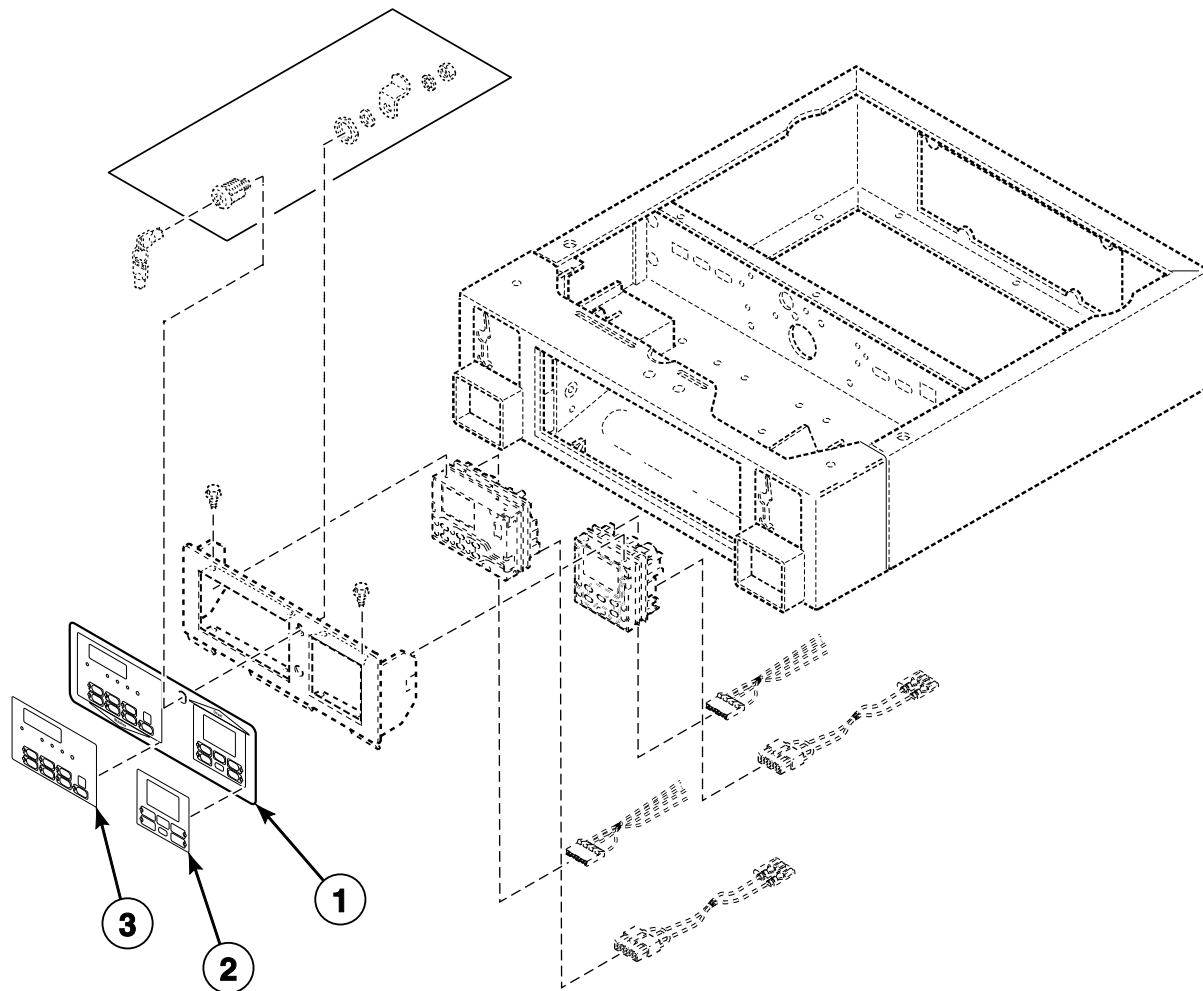
## Control Panel and Controls (Drawing 1 of 2)

REF	PART NO.	DESCRIPTION	COMMENTS
1	27260P	Lock Kit	
2	27261	Lock Cam	
3	800374	Diagnostic Wire Harness Assembly	Models BTEBYFSP172TW01, BTGBYFSP112TW01, HTEBYFSP282CW01, HTEY77*N, HTEY77*N2802, HTGBYFSP092CW01, HTGBYFSP112TW01, HTGY79*N, HTGY79*N0902, STEBYFSP172TW01, STEF77*N, STEF77*N4350, STEY77*N, STEY77*N4064, STEY77*N5754, STGBYFSP112TW01, STGF79*N and STGY79*N
4	D511478	Central Pay Harness	All models except HTEB77*N2802, HTGB79*N0902, STEA77*N, STEA77*N3069, STEB77*N, STEF77*N, STEF77*N4350, STGA73*N, STGA79*N, STGB79*N and STGF79*N
5	D505905P	Control Kit	Models HTEB77*N2802, HTGB79*N0902, STEA77*N, STEA77*N3069, STEB77*N, STEF77*N, STEF77*N4350, STGA73*N, STGA79*N, STGB79*N and STGF79*N
	D511867P	Control Assembly	All other models
	D510036P	Membrane Switch	Use with 511867P Control Assembly; All other models
6	800772P	Control Kit	Models HTEB77*N2802, HTGB79*N0902, STEA77*N, STEA77*N3069, STEB77*N, STEF77*N, STEF77*N4350, STGA79*N, STGB79*N and STGF79*N
	802400P	Control Assembly	Models BTEX75*N4065, BTEX77*N4065, NTEX77*N4064, NTEX77*N4067, NTGX79*N4067, STEX77*N4064, STEX77*N5754, STEY77*N4064 and STEY77*N5754
	210010P	Membrane Switch	Use with 802400P Control Assembly; Models BTEX75*N4065, BTEX77*N4065, NTEX77*N4064, NTEX77*N4067, NTGX79*N4067, STEX77*N4064, STEX77*N5754, STEY77*N4064 and STEY77*N5754
	802076P	Control Kit	Model STGA73*N
	803146P	Control Assembly	All other models
7	800034W	Control Panel and Bracket Assembly	
8	D501524	Screw	
9	54612	Key	GR800

\* Add Letter To Designate Color. Q - Bisque W - White

# Control Panel and Controls (Drawing 2 of 2)

All Models Except BTEBLFSP431AW01, BTEBLFSP432AW01, BTEL75\*N4065, BTEL77\*N4065, BTGBLFSP301AW01, BTGBLFSP302AW01, NTEL77\*N4064 and NTGL79\*N4067



SWD1272PA\_802747

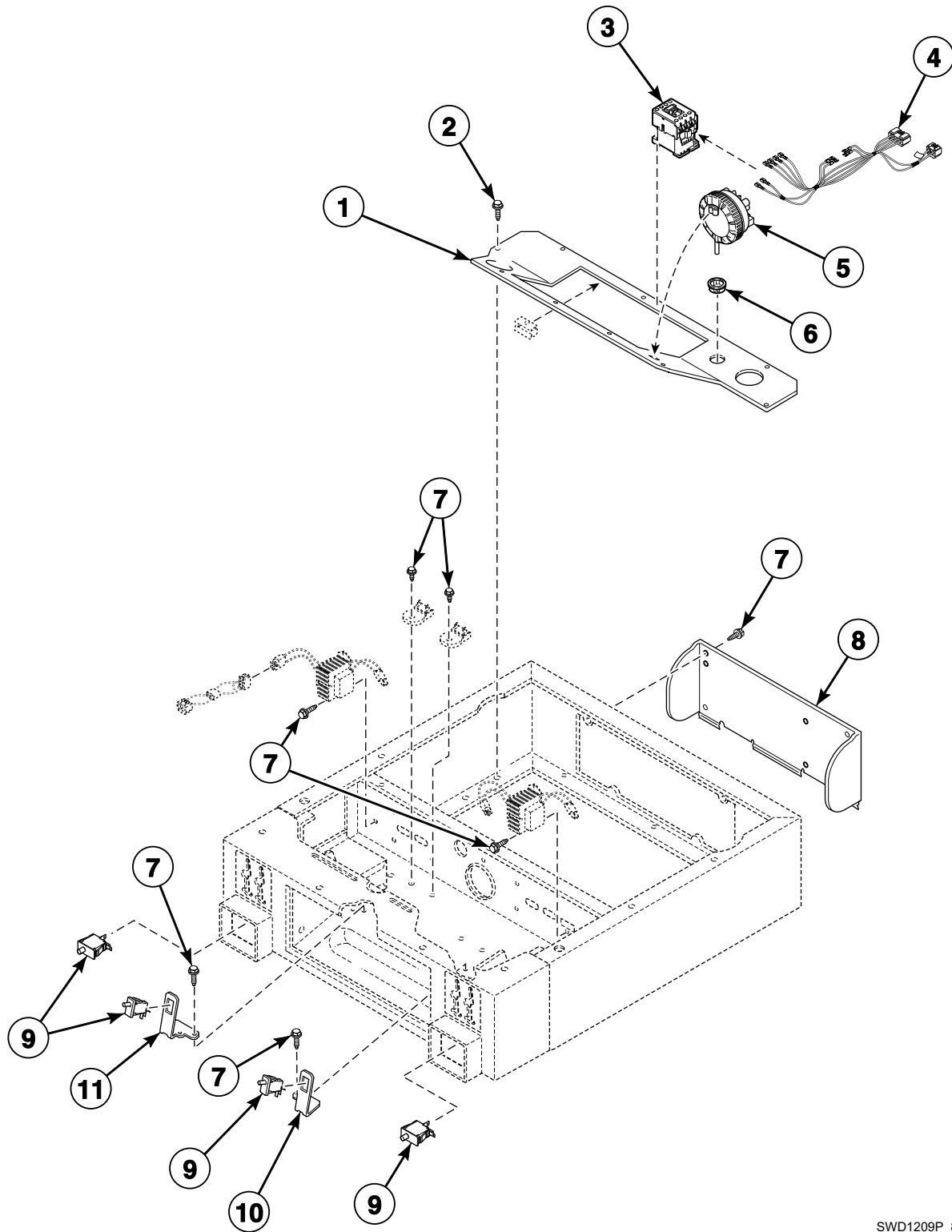
## Control Panel and Controls (Drawing 2 of 2)

REF	PART NO.	DESCRIPTION	COMMENTS
1	800026	Overlay	Models STEA77*N, STEA77*N3069, STEB77*N, STGA73*N, STGA79*N and STGB79*N
	800027	Overlay	Models STEF77*N, STEF77*N4350 and STGF79*N
	801054	Overlay	Models HTEBCFSP172TW01, HTEBDFSP282CW01, HTEBXFSP132DW01, HTEBXFSP172FW28, HTEBXFSP282CW01, HTEBXFSP292CW01, HTEBXFSP542DW01, HTEBYFSP282CW01, HTET77*N, HTET77*N2802, HTEX77*N2802, HTEX77*N2902, HTEY77*N, HTEY77*N2802, HTGBCFSP112TW01, HTGBDFSP092CW01, HTGBXFSP112FW28, HTGBXFSP122DW01, HTGBXFSP542DW01, HTGBYFSP092CW01, HTGBYFSP112TW01, HTGT79*N, HTGT79*N0902, HTGX79*N0902, HTGY79*N and HTGY79*N0902
	801051	Overlay	Models STEBCFSP172TQ01, STEBCFSP172TW01, STEBXFSP132DW01, STEBXFSP172TQ01, STEBXFSP172TW01, STEBXFSP302NW01, STEBXFSP432AW01, STEBXFSP542DW01, STEBXFSP542NW01, STEBYFSP172TW01, STET77*N, STEX77*N, STEX77*N2827, STEX77*N3000, STEX77*N4350, STEX77*N4351, STEX77*N5400, STEY77*N, STGBCFSP112TW01, STGBXFSP112TW01, STGBXFSP122DW01, STGBXFSP302AW01, STGBXFSP302NW01, STGBXFSP542DW01, STGBYFSP112TW01, STGT79*N, STGX73*N, STGX79*N, STGX79*N3000, STGX79*N3060, STGX79*N3061 and STGY79*N
	800894	Overlay	Models HTEB77*N2802 and HTGB79*N0902
	801415	Overlay	Models STEX77*N4064, STEX77*N5754, STEY77*N4064 and STEY77*N5754
	802078	Overlay	Models NTEX77*N4064, NTEX77*N4067 and NTGX79*N4067
	801874	Front Overlay	Models BTEX75*N4065 and BTEX77*N4065
	803157	Overlay	Models NTEBXFSP302NW01, NTEBXFSP302NW22, NTEX77*N3000, NTEX77*N5400, NTGBXFSP302NW01 and NTGX79*N3000
	803435	Overlay	Models BTEBCFSP171TW01, BTEBCFSP172TW01, BTEBEFSP171TW01, BTEBEFSP281CW01, BTEBEFSP282CW01, BTEBXFSP172FW01, BTEBXFSP432AW01, BTEX77*N1727, BTEX77*N4350, BTGBCFSP111TW01, BTGBCFSP112TW01, BTGBEFSP091CW01, BTGBEFSP111TW01, BTGBXFSP112FW01, BTGBXFSP302AW01, BTGX79*N1127 and BTGX79*N3060
2	D513546	Overlay	French/English; Models HTEBDFSP282CW01, HTEBXFSP282CW01, HTEBXFSP292CW01, HTEBYFSP282CW01, HTET77*N2802, HTEX77*N2802, HTEX77*N2902, HTEY77*N2802, HTGBDFSP092CW01, HTGBYFSP092CW01, HTGT79*N0902, HTGX79*N0902 and HTGY79*N0902
3	803597	Overlay	French/English; Models HTEBDFSP282CW01, HTEBXFSP282CW01, HTEBXFSP292CW01, HTEBYFSP282CW01, HTET77*N2802, HTEX77*N2802, HTEX77*N2902, HTEY77*N2802, HTGBDFSP092CW01, HTGBYFSP092CW01, HTGT79*N0902, HTGX79*N0902 and HTGY79*N0902

\* Add Letter To Designate Color. Q - Bisque W - White

# Control Cabinet Controls (Drawing 1 of 2)

All Models Except BTEBLFSP431AW01, BTEBLFSP432AW01, BTEL75\*N4065, BTEL77\*N4065, BTGBLFSP301AW01, BTGBLFSP302AW01, NTEL77\*N4064 and NTGL79\*N4067



SWD1209P\_802747

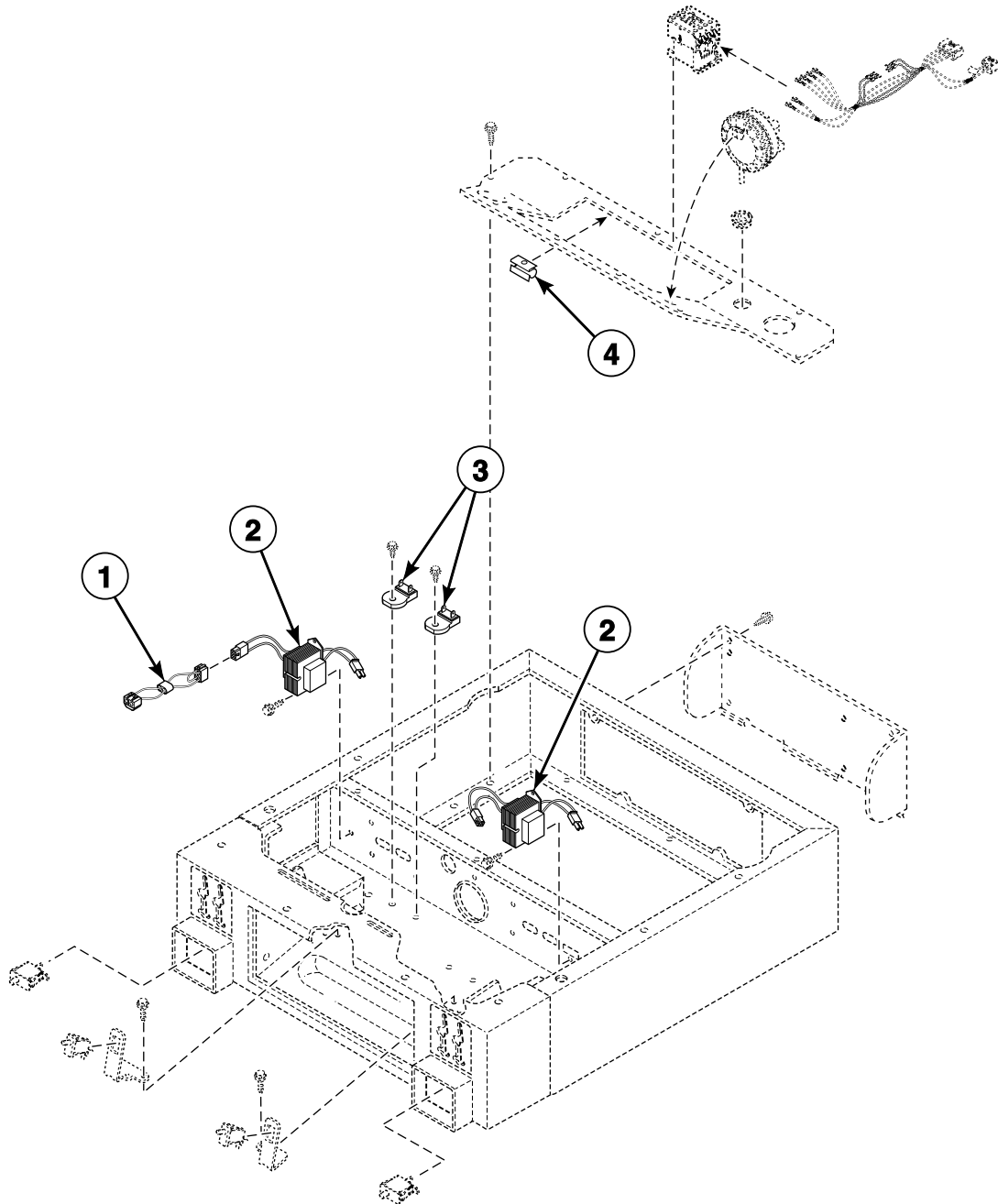
## Control Cabinet Controls (Drawing 1 of 2)

REF	PART NO.	DESCRIPTION	COMMENTS
1	801371	Control Shield	
2	D503661	Screw	
3	F330177P	Contactor	Models BTEX75*N4065, BTEX77*N4065, NTEX77*N4064, NTEX77*N4067, NTGX79*N4067, STEX77*N4064, STEX77*N5754, STEY77*N4064 and STEY77*N5754
4	801120P	Contactor Wire Harness Assembly	Models BTEX75*N4065, BTEX77*N4065, NTEX77*N4064, NTEX77*N4067, NTGX79*N4067, STEX77*N4064, STEX77*N5754, STEY77*N4064 and STEY77*N5754
5	802299P	Pressure Switch	
6	M402542	Snap Bushing	
7	D503688	Screw	
8	800177	Security Cabinet Rear Service Panel	All models except BTEX75*N4065, BTEX77*N4065, NTEX77*N4064, NTEX77*N4067, NTGX79*N4067, STEX77*N4064, STEX77*N5754, STEY77*N4064 and STEY77*N5754
9	D512973	Switch	All models except BTEBYFSP172TW01 and BTGBYFSP112TW01
10	800380	Audit Switch Bracket	Right
11	800379	Audit Switch Bracket	Left

\* Add Letter To Designate Color. Q - Bisque W - White

# Control Cabinet Controls (Drawing 2 of 2)

All Models Except BTEBLFSP431AW01, BTEBLFSP432AW01, BTEL75\*N4065, BTEL77\*N4065, BTGBLFSP301AW01, BTGBLFSP302AW01, NTEL77\*N4064 and NTGL79\*N4067



SWD1209PA\_802747

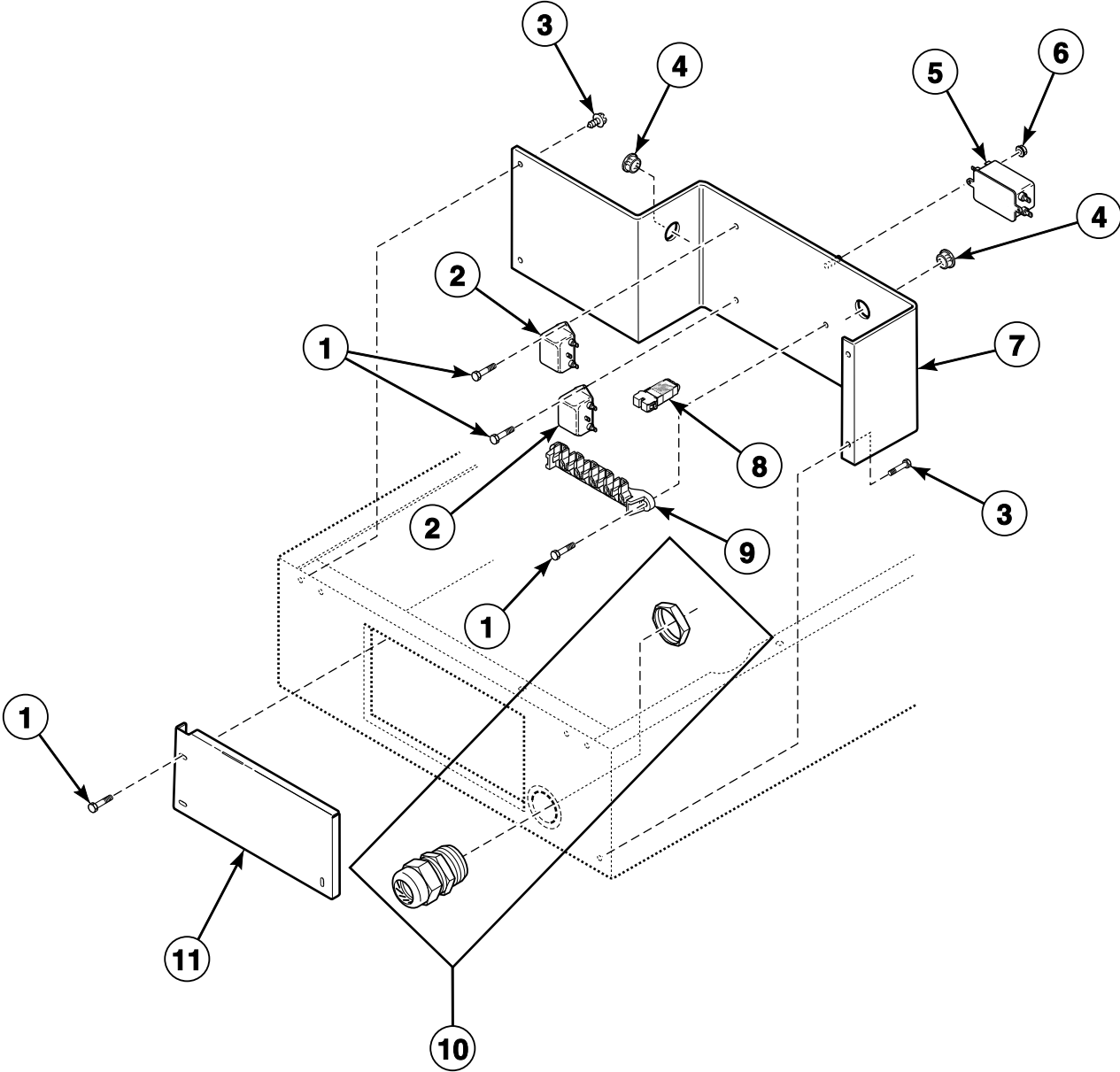
## Control Cabinet Controls (Drawing 2 of 2)

REF	PART NO.	DESCRIPTION	COMMENTS
1	M413507	Jumper Configuration Assembly	Models BTEBXFSP432AW01, BTEX75*N4065, BTEX77*N4065, BTEX77*N4350, BTGBXFSP302AW01, BTGX79*N3060, HTEBXFSP132DW01, HTEBXFSP542DW01, HTGBXFSP542DW01, NTEBXFSP302NW22, NTEX77*N4064, NTEX77*N4067, NTEX77*N5400, NTGX79*N4067, STEA77*N3069, STEBXFSP132DW01, STEBXFSP301NW22, STEBXFSP302NW01, STEBXFSP302NW22, STEBXFSP432AW01, STEBXFSP542DW01, STEBXFSP542NW01, STEF77*N4350, STEX77*N3000, STEX77*N4064, STEX77*N4350, STEX77*N4351, STEX77*N5400, STEX77*N5754, STEY77*N4064, STEY77*N5754, STGBXFSP301NW22, STGBXFSP302AW01, STGBXFSP302NW01, STGBXFSP302NW22, STGBXFSP542DW01, STGX79*N3000, STGX79*N3060 and STGX79*N3061
	M413505	Jumper Harness Assembly	Models STEA77*N, STEBXFSP172TQ01, STEBXFSP172TW01, STEX77*N, STEX77*N2827 and STGA79*N
2	210018P	Transformer	Models BTEBCFSP171TW01, BTEBCFSP172TW01, BTGBCFSP111TW01, BTGBCFSP112TW01, HTEB77*N2802, HTEBCFSP172TW01, HTEBDFSP282CW01, HTET77*N, HTET77*N2802, HTGB79*N0902, HTGBCFSP112TW01, HTGBDFSP092CW01, HTGT79*N, HTGT79*N0902, STEB77*N, STEBCFSP172TQ01, STEBCFSP172TW01, STEF77*N, STET77*N, STGB79*N, STGBCFSP112TW01, STGF79*N and STGT79*N
	201375P	Transformer	Models BTEBEFSP171TW01, BTEBEFSP281CW01, BTEBEFSP282CW01, BTEBXFSP172FW01, BTEBYFSP172TW01, BTEX77*N1727, BTGBEFSP091CW01, BTGBEFSP111TW01, BTGBXFSP112FW01, BTGBYFSP112TW01, BTGX79*N1127, HTEBXFSP172FW28, HTEBXFSP282CW01, HTEBXFSP292CW01, HTEBYFSP282CW01, HTEX77*N2802, HTEX77*N2902, HTEY77*N, HTEY77*N2802, HTGBXFSP112FW28, HTGBXFSP122DW01, HTGBYFSP092CW01, HTGBYFSP112TW01, HTGX79*N0902, HTGY79*N, HTGY79*N0902, STEBXFSP132DW01, STEBYFSP172TW01, STEY77*N, STGBXFSP112TW01, STGBXFSP122DW01, STGBYFSP112TW01, STGX79*N and STGY79*N
	803527P	Transformer	All other models
3	210100	Resistor	
4	36985	Hose Clip	

\* Add Letter To Designate Color. Q - Bisque W - White

# Electrical Access Panel, Filters and Terminal Block

Models BTEX75\*N4065, BTEX77\*N4065, NTEX77\*N4064, NTEX77\*N4067, NTGX79\*N4067, STEX77\*N4064, STEX77\*N5754, STEY77\*N4064 and STEY77\*N5754



FLW861P\_802747



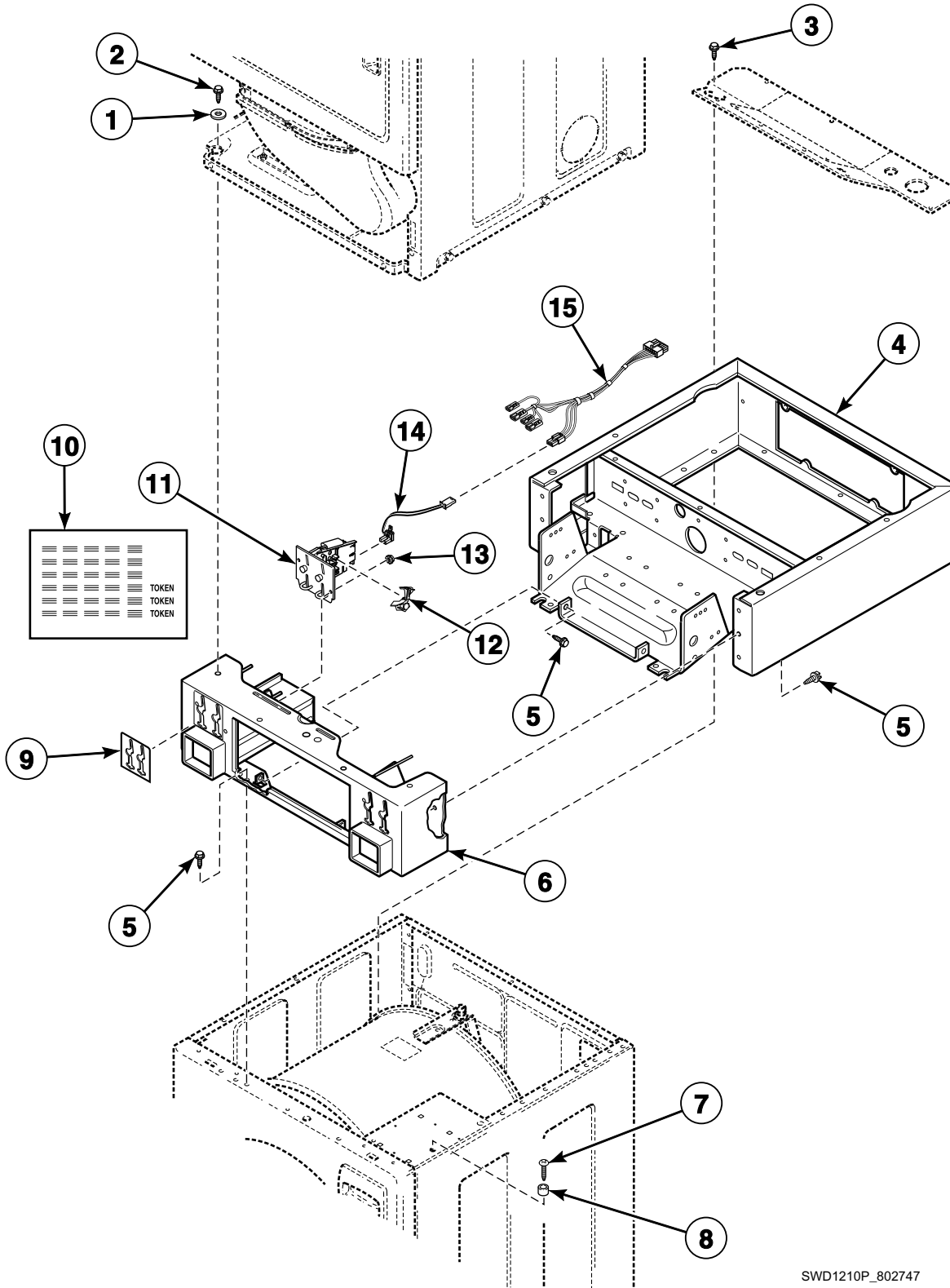
## Electrical Access Panel, Filters and Terminal Block

REF	PART NO.	DESCRIPTION	COMMENTS
1	D503661	Screw	
2	801255P	Filter	
3	D503688	Screw	
4	M402542	Snap Bushing	
5	201058	Line Filter	
6	29787	Nut	
7	801250	Terminal Block Assembly	
8	801311	Network Varistor Assembly	
9	D505876	Terminal Block Assembly	
10	801792P	Fitting	
11	801134	Electric Access Panel	

\* Add Letter To Designate Color. Q - Bisque W - White

# Cabinet Wrapper and Coin Drop

Coin Drop Models



SWD1210P\_802747

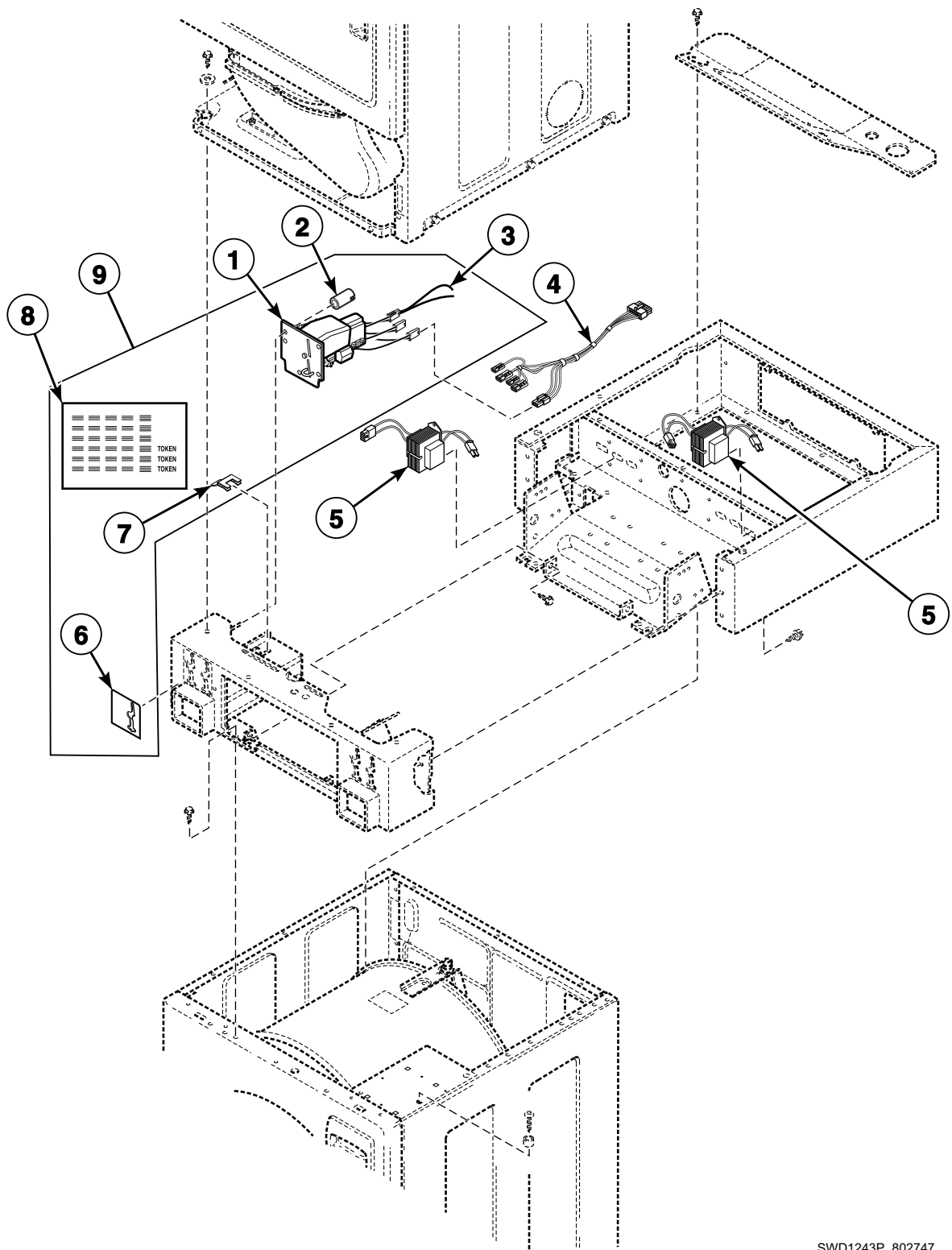
## Cabinet Wrapper and Coin Drop

REF	PART NO.	DESCRIPTION	COMMENTS
1	26509	Washer	
2	36048	Screw	
3	D503661	Screw	
4	801235Q	Security Cabinet Wrapper Assembly	Bisque; Models BTEX75*N4065, BTEX77*N4065, NTEX77*N4064, NTEX77*N4067, NTGX79*N4067, STEX77*N4064 and STEX77*N5754
	801235W	Security Cabinet Wrapper Assembly	White; All other models
	800231Q	Security Cabinet Wrapper Assembly	Bisque; All other models
5	D503688	Screw	
6	D518305WP	Security Cabinet Front Assembly	White
	D511632Q	Security Cabinet Front Assembly	Bisque
7	39733	Screw	
8	56079	Panel Locator	
9	38676	Overlay Kit	Dual drop
	39073	Dual Overlay	Models HTEB77*N2802, HTEBDFSP282CW01, HTET77*N2802, HTGB79*N0902, HTGBDFSP092CW01 and HTGT79*N0902
	38717	Single Overlay	
10	38725	Coin Identification Paper	
11	70441601P	Coin Drop	U.S.A.; \$.25
	70441602	Coin Drop Assembly	Canada; .25 and 1.00
	38464P	Coin Drop Assembly	Canada; .25
	38467	Coin Drop Assembly	Australia; .20 and 1.00
	70447301	Coin Drop Assembly	Australia; 1.00 and 2.00
	38472	Coin Drop Assembly	England; 20 pence and 1 pound
	38519	Coin Drop Assembly	Japan; 100 yen and 500 yen
	38521	Coin Drop Assembly	Korea; 100 won and 500 won
	CK114	Coin Drop Assembly	Singapore; Old 1.00
	CK123	Coin Drop Kit	Singapore; New 1.00
	38462P	Coin Drop Assembly	Token; STD-118-1; .880 diameter x .079 thick; Brass
	38463	Coin Drop Assembly	Token; STD-118-5; .990 diameter x .081 thick; Silver
	38963P	Coin Drop	Token 118-16 not available; Replacement for 38963P Coin Drop only
12	201595P	Wire Guard	Anti-stringing device; Add to coin drops manufactured January 2005 and later
13	29786	Nut	
14	200674P	Opto Coupler	
15	802904P	Harness Assembly	Models BTEBCFSP171TW01, BTEBCFSP172TW01, BTGBCFSP111TW01, BTGBCFSP112TW01, HTEBCFSP172TW01, HTET77*N, HTGBCFSP112TW01, HTGT79*N, STEB77*N, STEBCFSP172TQ01, STEBCFSP172TW01, STET77*N, STGB79*N, STGBCFSP112TW01 and STGT79*N
	802905	Harness Assembly	All other models

\* Add Letter To Designate Color. Q - Bisque W - White

# Electronic Coin Drop

Coin Drop Models



SWD1243P\_802747

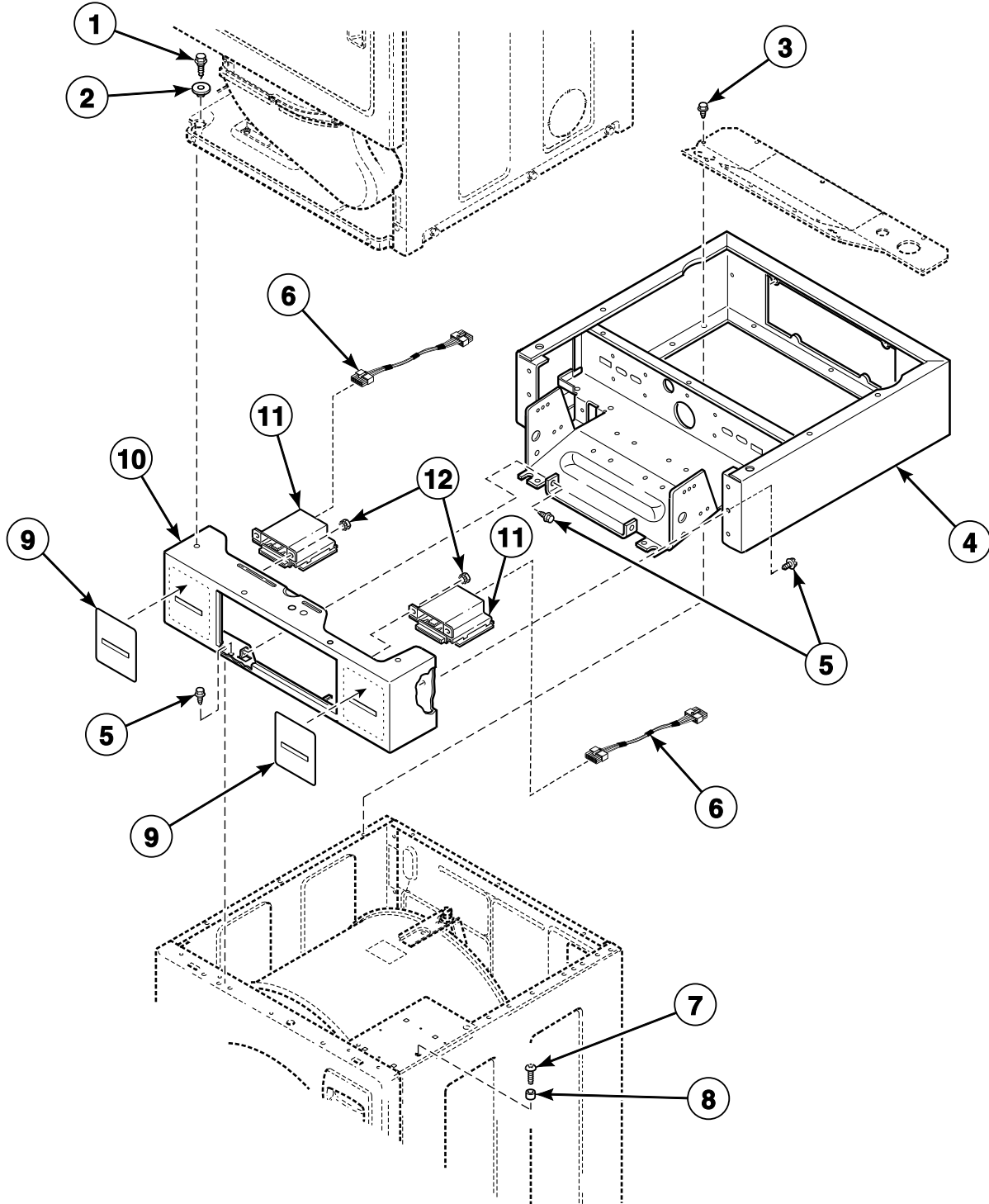
# Electronic Coin Drop

REF	PART NO.	DESCRIPTION	COMMENTS
1	70513302	Coin Meter	Euro and Great Britain coins
	70294104	Electronic Coin Drop Assembly	Euro, Denmark and Norway coins
	70482401	Coin Drop Assembly	New Zealand coins
	70513306	Electronic Coin Drop Assembly	Mexico, Ecuador and United States coins
	70294107	Electronic Coin Drop Assembly	Euro, Lithuania and Latvia coins
	70294110	Electronic Coin Drop Assembly	South African 1, 2 and 5 rand coins
	70294111	Electronic Coin Drop Assembly	Euro coins
	70294122	Electronic Coin Drop Assembly	Great Britain and token coins
	70513311	Electronic Coin Drop Assembly	Malaysia, China and Singapore coins
	70294117	Electronic Coin Drop Assembly	Russia coins
	70294120	Electronic Coin Drop Assembly	Chile coins
	70294121	Electronic Coin Drop Assembly	Singapore coins
2	201216	Nut	
3	201104	Coin Drop Wire Harness	
4	802905	Harness Assembly	Electronic coin drop requires this harness. If unit is not factory-equipped with this harness, it must be ordered separately.
5	201375P	Transformer	Electronic coin drop requires this transformer. If unit is not factory-equipped with this transformer, it must be ordered separately.
6	201091	Overlay	
7	201572	Clip	
8	38725	Coin Identification Paper	
9	CK115	Electronic Coin Drop Kit	Includes items 1-3 and 6-8; United States and Canada coins
	CK099	Electronic Coin Drop Kit	Includes items 1-3 and 6-8; Australia, New Zealand, Hong Kong and South Korea coins
	CK100	Electronic Coin Drop Kit	Includes items 1-3 and 6-8; Euro and Great Britain coins
	CK101	Electronic Coin Drop Kit	Includes items 1-3 and 6-8; Euro, Denmark and Norway coins
	CK103	Electronic Coin Drop Kit	Includes items 1-3 and 6-8; Euro, Lithuania and Latvia coins
	CK125	Electronic Coin Drop Kit	Includes items 1-3 and 6-8; South African 1, 2 and 5 rand coins
	CK109	Electronic Coin Drop Kit	Includes items 1-3 and 6-8; Euro coins
	CK110	Electronic Coin Drop Kit	Includes items 1-3 and 6-8; Mexico, Ecuador and United States coins
	CK113	Electronic Coin Drop Kit	Includes items 1-3 and 6-8; Japan and Taiwan coins
	CK116	Electronic Coin Drop Kit	Includes items 1-3 and 6-8; Malaysia and China coins
	CK117	Electronic Coin Drop Kit	Includes items 1-3 and 6-8; Russia coins
	CK118	Electronic Coin Drop Kit	Includes items 1-3 and 6-8; Philippine coins
	CK120	Electronic Coin Drop Kit	Includes items 1-3 and 6-8; Chile coins
	CK121	Electronic Coin Drop Kit	Includes items 1-3 and 6-8; Singapore coins
CK122	Coin Drop Kit	Includes items 1-3 and 6-8; New Zealand coins	

\* Add Letter To Designate Color. Q - Bisque W - White

# Cabinet Wrapper and Card Reader

Models BTEBYFSP172TW01, BTGBYFSP112TW01, HTEBYFSP282CW01, HTEY77\*N, HTEY77\*N2802, HTGBYFSP092CW01, HTGBYFSP112TW01, HTGY79\*N, HTGY79\*N0902, STEBYFSP172TW01, STEF77\*N, STEF77\*N4350, STEY77\*N, STEY77\*N4064, STEY77\*N5754, STGBYFSP112TW01, STGF79\*N and STGY79\*N



SWD1194P\_802747

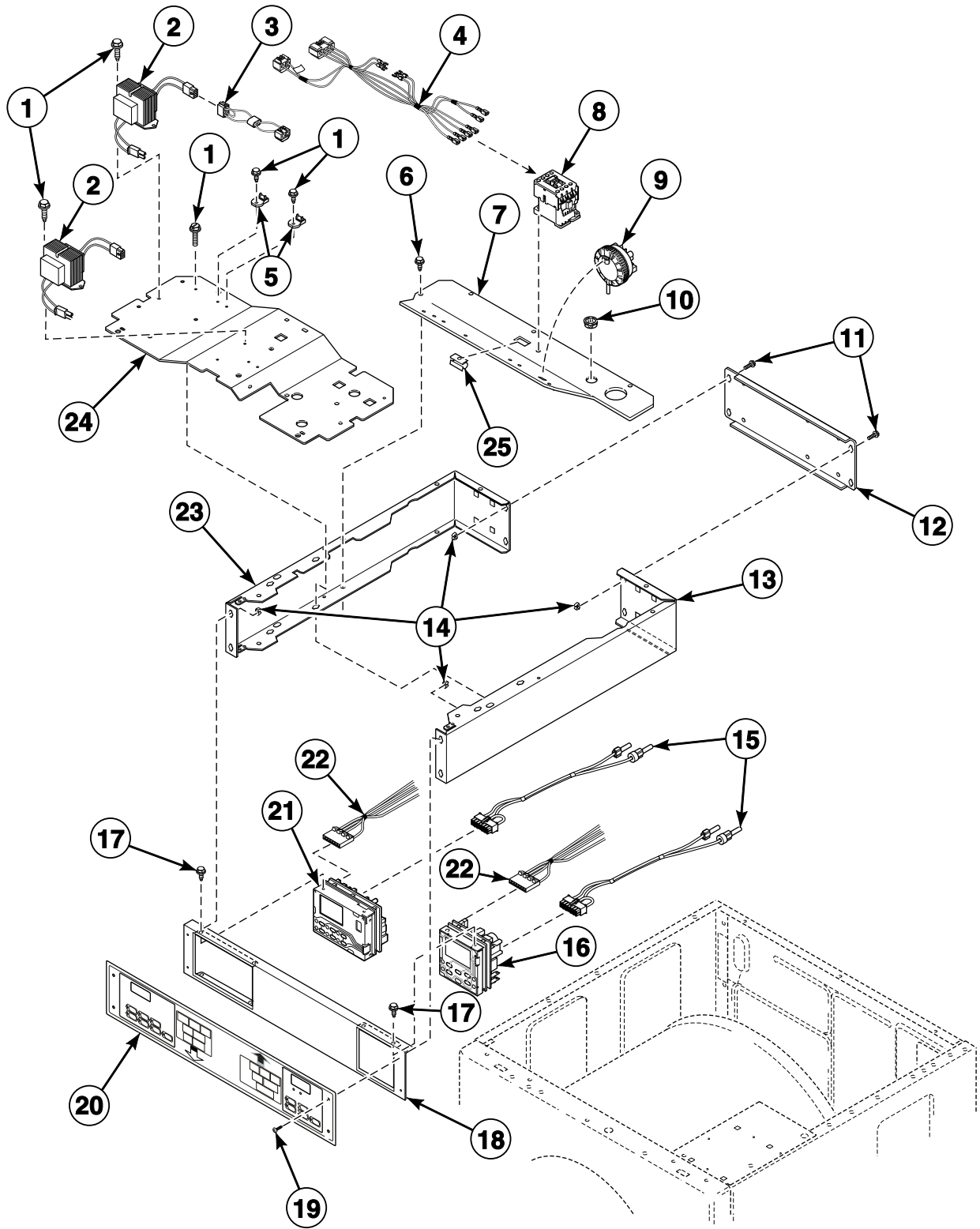
## Cabinet Wrapper and Card Reader

REF	PART NO.	DESCRIPTION	COMMENTS
1	36048	Screw	
2	26509	Washer	
3	D503661	Screw	
4	801235Q	Security Cabinet Wrapper Assembly	Bisque; Models STEY77*N4064 and STEY77*N5754
	801235W	Security Cabinet Wrapper Assembly	White; All other models
	800231Q	Security Cabinet Wrapper Assembly	Bisque; All other models
5	D503688	Screw	
6	800125P	Card Reader Wire Harness Assembly	Models STEF77*N, STEF77*N4350 and STGF79*N
7	39733	Screw	
8	56079	Panel Locator	
9	39564	Nameplate	Models STEY77*N4064 and STEY77*N5754
	800230	Card Reader Overlay	Models STEF77*N, STEF77*N4350 and STGF79*N
	D511544	Card Insert Overlay	Models BTEBYFSP172TW01, BTGBYFSP112TW01, STEBYFSP172TW01, STEY77*N, STGBYFSP112TW01 and STGY79*N
	D511548	Card Insert Overlay	All other models
10	D518303W	Security Cabinet Front Assembly	White
	D511208Q	Security Cabinet Front Assembly	Bisque
11	D510068P	Card Reader and Bracket Assembly	Models STEF77*N, STEF77*N4350 and STGF79*N
12	70054	Nut	

\* Add Letter To Designate Color. Q - Bisque W - White

# Control Cabinet and Controls

Models BTEBLFSP431AW01, BTEBLFSP432AW01, BTEL75\*N4065, BTEL77\*N4065, BTGBLFSP301AW01, BTGBLFSP302AW01, NTEL77\*N4064 and NTGL79\*N4067



SWD1271P\_802747



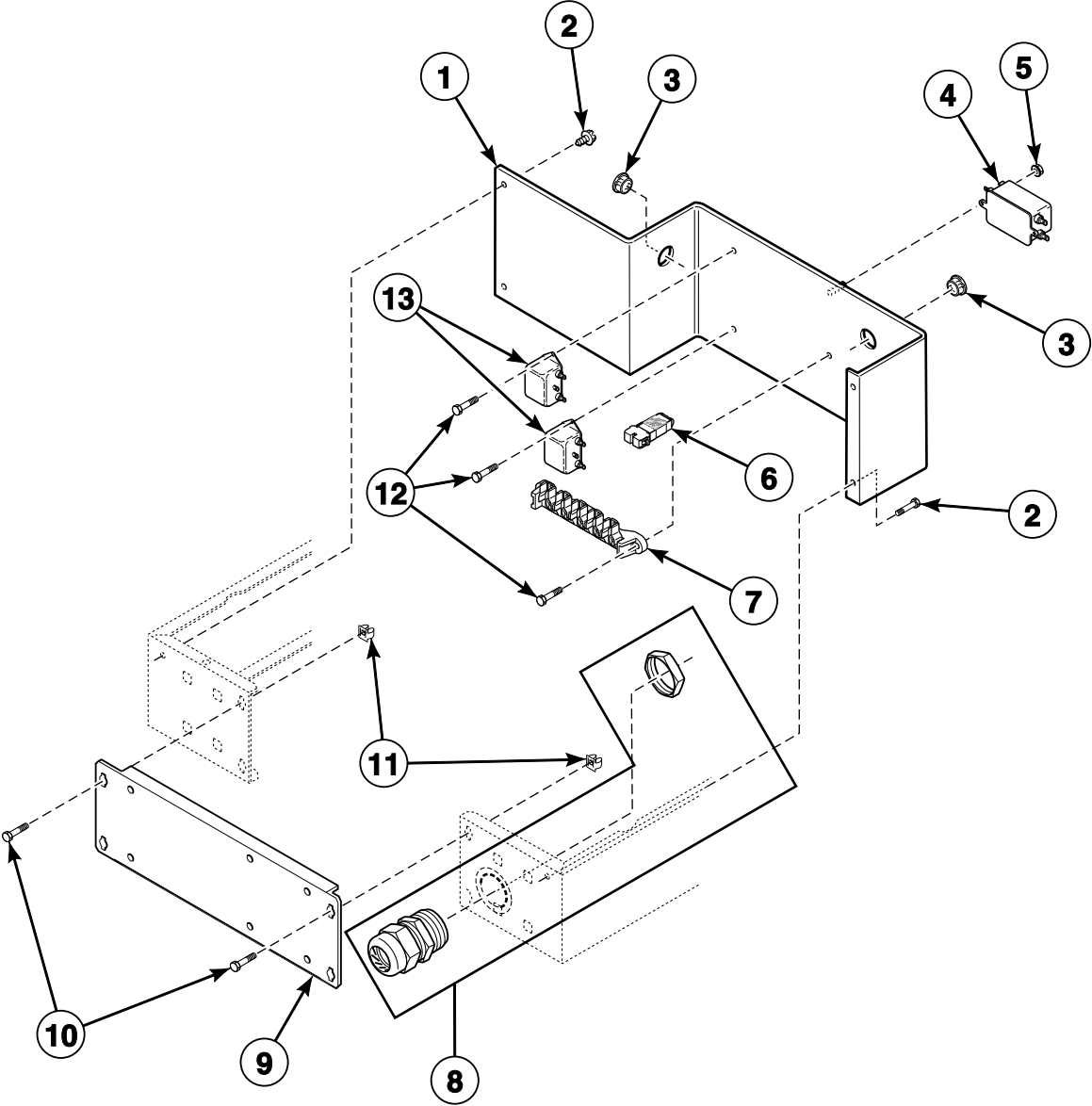
## Control Cabinet and Controls

REF	PART NO.	DESCRIPTION	COMMENTS
1	D503688	Screw	
2	803527P	Transformer	Model NTGL79*N4067 3 required; Models BTEBLFSP431AW01, BTEBLFSP432AW01, BTEL75*N4065, BTEL77*N4065, BTGBLFSP301AW01, BTGBLFSP302AW01 and NTEL77*N4064 2 required
3	M413507	Jumper Configuration Assembly	
4	801120P	Contactora Wire Harness Assembly	
5	210100	Resistor	
6	D503661	Screw	
7	801371	Control Shield	
8	F330177P	Contactora	
9	802299P	Pressure Switch	
10	M402542	Snap Bushing	
11	70240301	Screw	
12	801058	Rear Control Cabinet	
13	800915W	Right Control Cabinet Side	White
	800915Q	Right Control Cabinet Side	Bisque
14	70030501	Expansion Clip	
15	202869	Wiring Harness Assembly	
16	D511867P	Control Assembly	Dryer
	D510036P	Membrane Switch	
17	D501524	Screw	
18	801778W	Control Panel	
19	800930	Screw	
20	801984	Graphic Overlay	Models BTEL75*N4065 and BTEL77*N4065
	803536	Overlay	Models BTEBLFSP431AW01, BTEBLFSP432AW01, BTGBLFSP301AW01 and BTGBLFSP302AW01
	802289	Graphic Overlay	All other models
21	802400P	Control Assembly	Washer
	210010P	Membrane Switch	
22	D511478	Central Pay Harness	
23	801738W	Left Control Cabinet Side	
24	801777	Control Cabinet Bottom	
25	36985	Hose Clip	

\* Add Letter To Designate Color. Q - Bisque W - White

# Electrical Access Panel, Filters and Terminal Block

Models BTEBLFSP431AW01, BTEBLFSP432AW01, BTEL75\*N4065, BTEL77\*N4065, BTGBLFSP301AW01, BTGBLFSP302AW01, NTEL77\*N4064 and NTGL79\*N4067



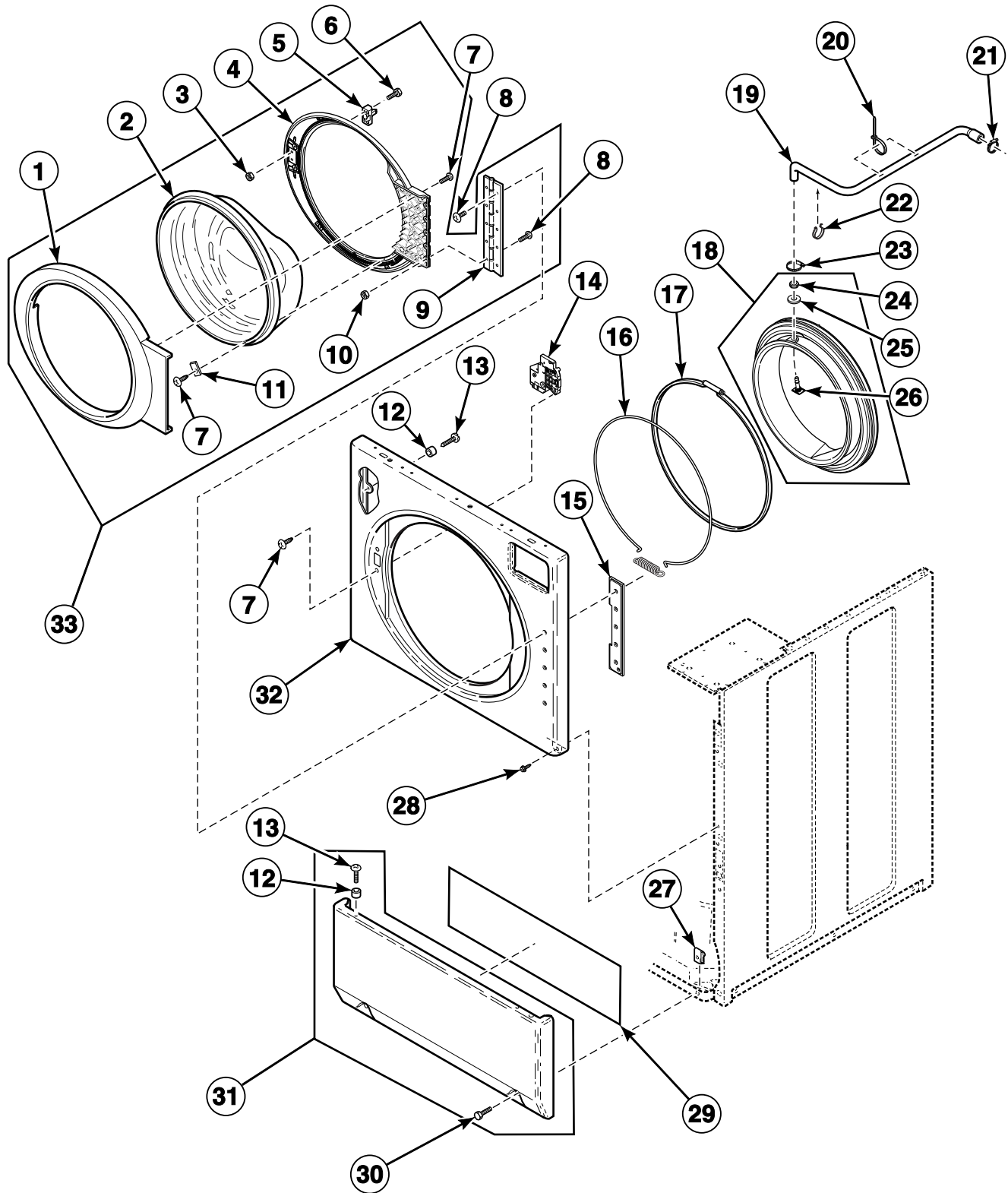
FLW863P\_802747

## Electrical Access Panel, Filters and Terminal Block

REF	PART NO.	DESCRIPTION	COMMENTS
1	801756	Terminal Block Assembly	
2	D503688	Screw	
3	M402542	Snap Bushing	
4	201058	Line Filter	
5	29787	Nut	
6	801311	Network Varistor Assembly	
7	D505876	Terminal Block Assembly	
8	801792P	Fitting	
9	801058	Rear Control Cabinet	
10	70240301	Screw	
11	70030501	Expansion Clip	
12	D503661	Screw	
13	801255P	Filter	

\* Add Letter To Designate Color. Q - Bisque W - White

# Washer Front Panel and Door Assembly



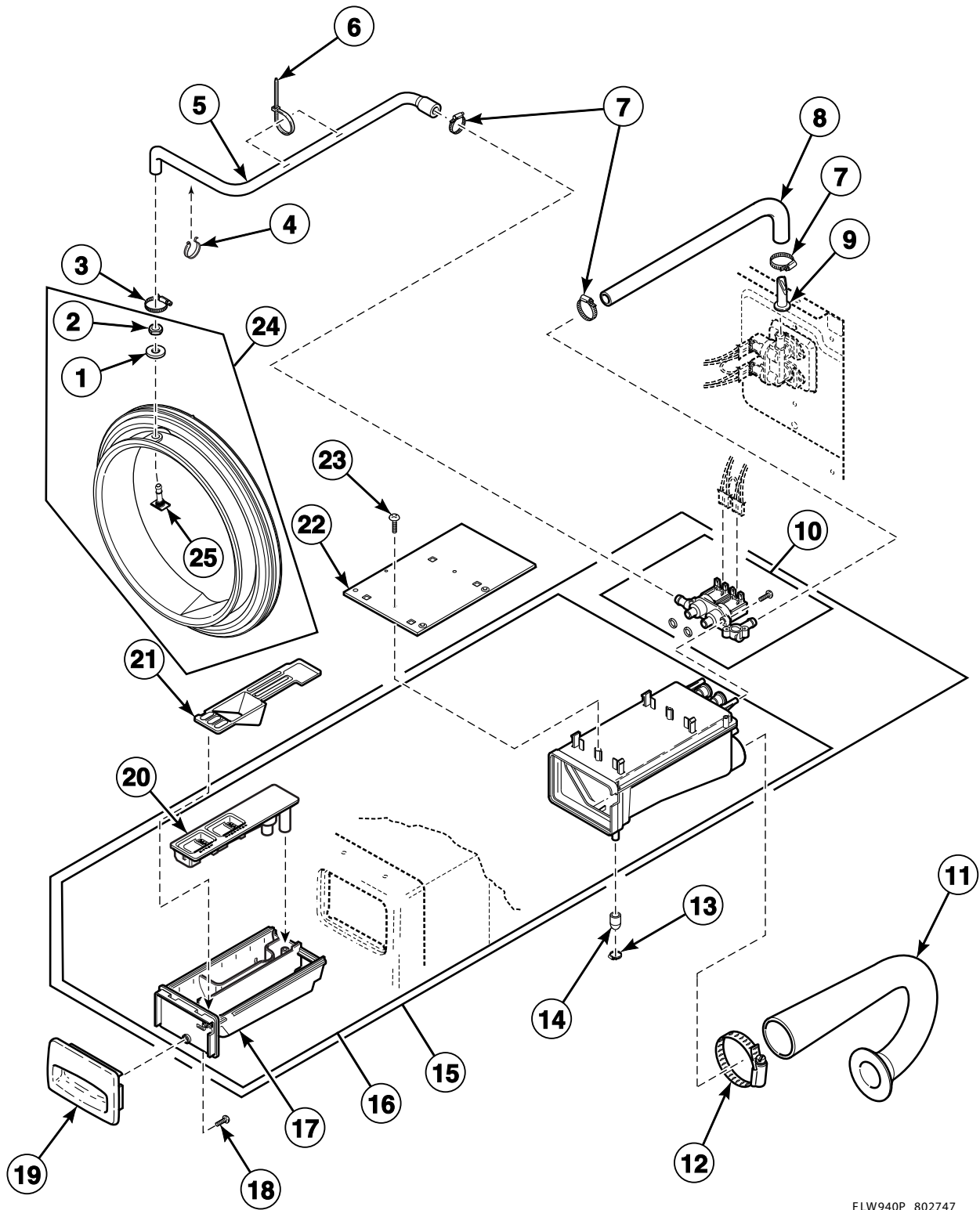
FLW938P

## Washer Front Panel and Door Assembly

REF	PART NO.	DESCRIPTION	COMMENTS
1	802314P	Outer Door Bezel Kit	BTE and BTG models
	802313WP	Outer Door Bezel Kit	White; All other models
	802313QP	Outer Door Bezel Kit	Bisque; All other models
2	802695P	Door Glass	
3	685846	Nut	
4	808096	Inner Door Bezel Kit	BTE and BTG models
	808095	Inner Door Bezel Kit	All other models
5	802803	Door Catch Assembly	
6	801993	Screw	
7	800548	Screw	
8	801019	Screw	
9	802934	Door Hinge	
10	23951	Nut	
11	802700	Glass Mounting Clip	
12	56079	Panel Locator	
13	39733	Screw	
14	802317P	Door Latch/Switch Assembly	
15	802206	Hinge Plate	
16	806466	Wire Ring and Spring	Includes spring
17	802281	Hose Clamp	Seal to outer tub front
18	802866P	Door Seal Assembly	Black; Includes items 24-26
	802830P	Door Seal Kit	Gray; Includes items 24-26
19	802256	Dispenser-to-Door Seal Hose	
20	55881	Harness Strap	
21	802164	Hose Clamp	
22	687500	Wire Clip	
23	802698	Hose Clamp	
24	802292	Nut	
25	802293	Washer	
26	802291	Boot Nozzle	
27	36020	Nut	
28	D503661	Screw	
29	204552	Front Panel Pad	
30	801045	Screw	
31	D514250WP	Access Panel Assembly	White
	D514250Q	Access Panel Assembly	Bisque
32	802277WP	Front Panel	White
	802277QP	Front Panel	Bisque
33	802872P	Door Assembly	Includes items 1-11; BTE and BTG models
	804914WP	Door Assembly	White; Includes items 1-11; All other models
	804914QP	Door Assembly	Bisque; Includes items 1-11; All other models

\* Add Letter To Designate Color. Q - Bisque W - White

# Dispenser Assembly and Door Seal



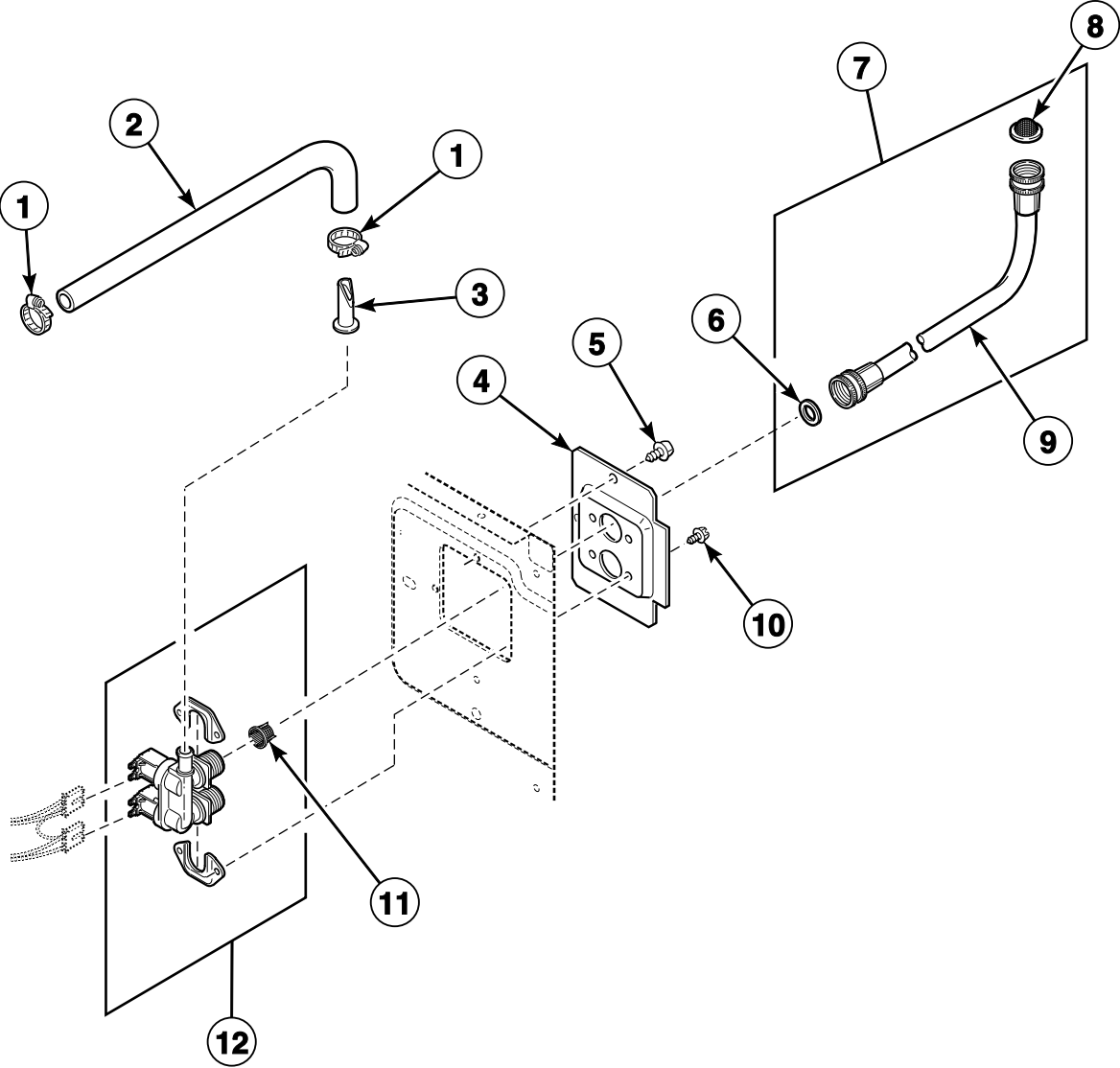
FLW940P\_802747

## Dispenser Assembly and Door Seal

REF	PART NO.	DESCRIPTION	COMMENTS
1	802293	Washer	
2	802292	Nut	
3	802698	Hose Clamp	
4	687500	Wire Clip	
5	802256	Dispenser-to-Door Seal Hose	
6	39037	Cable Tie	
7	802164	Hose Clamp	
8	801464	Valve-to-Dispenser Inlet Hose	
9	34500	Backflow Preventer	
10	801836P	Valve Kit	Models BTEBLFSP431AW01, BTEBLFSP432AW01, BTEBXFSP432AW01, BTEL75*N4065, BTEL77*N4065, BTEX75*N4065, BTEX77*N4065, BTEX77*N4350, BTGBLFSP301AW01, BTGBLFSP302AW01, BTGBXFSP302AW01, BTGX79*N3060, HTEBXFSP542DW01, HTGBXFSP542DW01, NTEBXFSP302NW01, NTEBXFSP302NW22, NTEL77*N4064, NTEX77*N3000, NTEX77*N4064, NTEX77*N4067, NTEX77*N5400, NTGBXFSP302NW01, NTGL79*N4067, NTGX79*N3000, NTGX79*N4067, STEA77*N3069, STEBXFSP301NW22, STEBXFSP302NW01, STEBXFSP302NW22, STEBXFSP432AW01, STEBXFSP542DW01, STEBXFSP542NW01, STEF77*N4350, STEX77*N3000, STEX77*N4064, STEX77*N4350, STEX77*N4351, STEX77*N5400, STEX77*N5754, STEY77*N4064, STEY77*N5754, STGBXFSP301NW22, STGBXFSP302AW01, STGBXFSP302NW01, STGBXFSP302NW22, STGBXFSP542DW01, STGX79*N3000, STGX79*N3060 and STGX79*N3061
	685766P	Valve Kit	All other models
11	800331	Dispenser-to-Tub Hose	
12	685725	Hose Clamp	
13	F200206	Hose Clamp	
14	801746	Cap	
15	801090P	Dispenser	Includes items 10, 16 and 19; Models BTEBLFSP431AW01, BTEBLFSP432AW01, BTEBXFSP432AW01, BTEL75*N4065, BTEL77*N4065, BTEX75*N4065, BTEX77*N4065, BTEX77*N4350, BTGBLFSP301AW01, BTGBLFSP302AW01, BTGBXFSP302AW01, BTGX79*N3060, HTEBXFSP542DW01, HTGBXFSP542DW01, NTEBXFSP302NW01, NTEBXFSP302NW22, NTEL77*N4064, NTEX77*N3000, NTEX77*N4064, NTEX77*N4067, NTEX77*N5400, NTGBXFSP302NW01, NTGL79*N4067, NTGX79*N3000, NTGX79*N4067, STEA77*N3069, STEBXFSP301NW22, STEBXFSP302NW01, STEBXFSP302NW22, STEBXFSP432AW01, STEBXFSP542DW01, STEBXFSP542NW01, STEF77*N4350, STEX77*N3000, STEX77*N4064, STEX77*N4350, STEX77*N4351, STEX77*N5400, STEX77*N5754, STEY77*N4064, STEY77*N5754, STGBXFSP301NW22, STGBXFSP302AW01, STGBXFSP302NW01, STGBXFSP302NW22, STGBXFSP542DW01, STGX79*N3000, STGX79*N3060 and STGX79*N3061
	685756P	Dispenser	Includes items 10, 16, 17 and 20; All other models
16	801476P	Dispenser Assembly	Includes items 17 and 20 and drawer
17	685757P	Dispenser Drawer	
18	800548	Screw	
19	685715WP	Dispenser Drawer Front	White
	685715QP	Dispenser Drawer Front	Bisque
20	685716	Insert	
21	800899	Detergent Cover	
22	801024	Dispenser Plate	
23	801001	Screw	
24	802866P	Door Seal Assembly	Black; Includes items 1, 2 and 25
	802830P	Door Seal Kit	Gray; Includes items 1, 2 and 25
25	802291	Boot Nozzle	

\* Add Letter To Designate Color. Q - Bisque W - White

# Mixing Valve, Valve-to-Dispenser Inlet Hose and Fill Hose



FLW881P\_802747

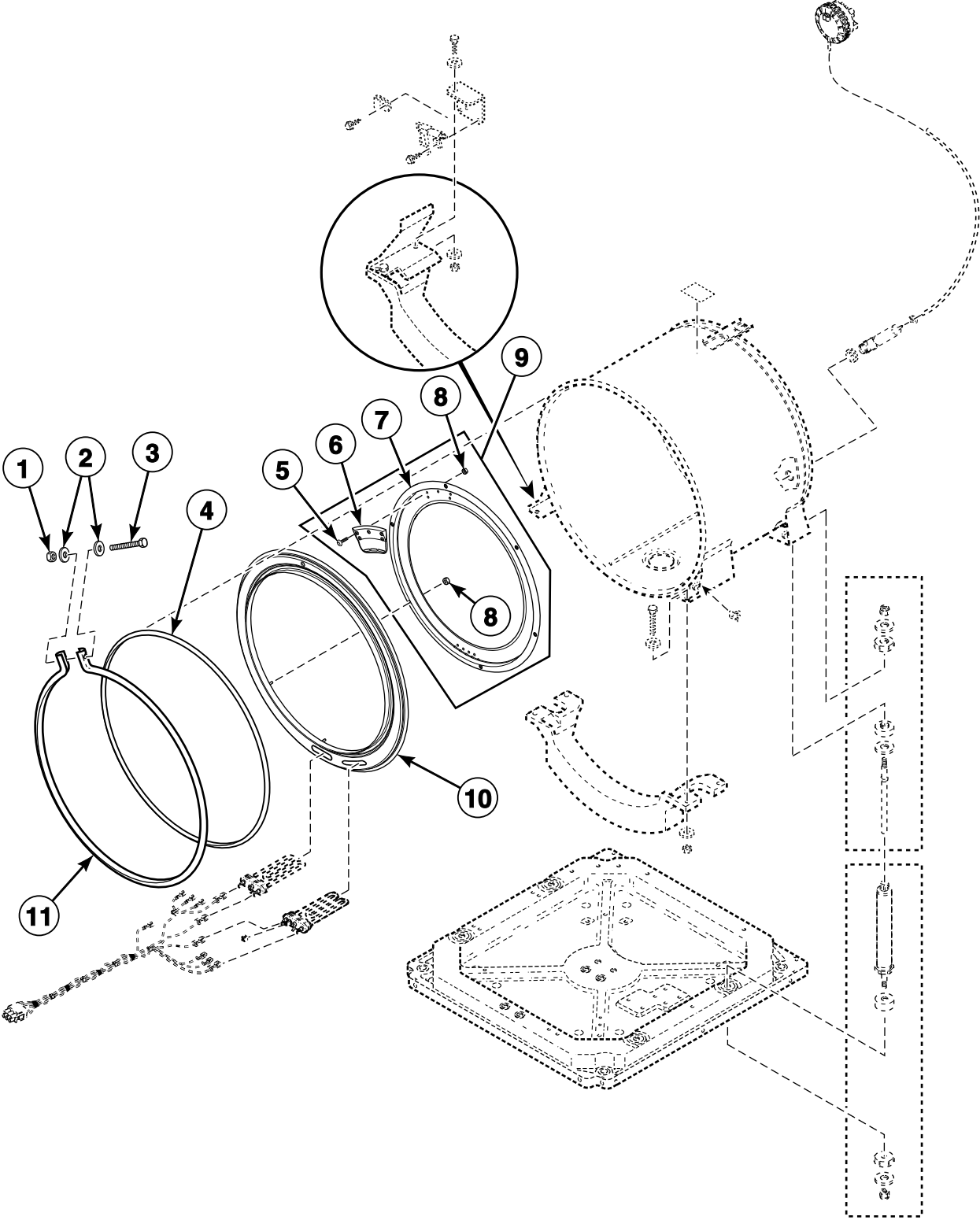


# Mixing Valve, Valve-to-Dispenser Inlet Hose and Fill Hose

REF	PART NO.	DESCRIPTION	COMMENTS
1	802164	Hose Clamp	
2	801464	Valve-to-Dispenser Inlet Hose	
3	34500	Backflow Preventer	
4	800323	Mixing Valve Plate	
5	D503661	Screw	
6	20290	Washer	
7	F200116	Fill Hose	5 feet; Hose is equipped with 2 standard hose couplings; Includes items 6 and 8; All models except HTEBXFSP132DW01, HTEBXFSP542DW01, HTGBXFSP542DW01, STEBXFSP132DW01, STEBXFSP542DW01 and STGBXFSP542DW01
	38349P	Fill Hose Kit	5 feet; Hose is equipped with 1 metric and 1 standard hose coupling; Includes 2 of item 6; All models except HTEBXFSP132DW01, HTEBXFSP542DW01, HTGBXFSP542DW01, STEBXFSP132DW01, STEBXFSP542DW01 and STGBXFSP542DW01
8	803615	Washer	Filter screen
	802254	Washer	Flow restrictor; Water pressure reducer; Available for water pressure up to but not exceeding 120 psi
9	202799	Fill Hose	Models HTEBXFSP132DW01, HTEBXFSP542DW01, HTGBXFSP542DW01, STEBXFSP132DW01, STEBXFSP542DW01 and STGBXFSP542DW01
	202800	Fill Hose	Models BTEBLFSP432AW01, BTEBXFSP432AW01, BTGBLFSP302AW01, BTGBXFSP302AW01, BTGX79*N3060, STEBXFSP432AW01 and STGBXFSP302AW01
	20617	Fill Hose	8 feet; Hose is equipped with 2 standard hose couplings; All other models
	20618	Fill Hose	10 feet; Hose is equipped with 2 standard hose couplings; All other models
	37380	Fill Hose	8 feet; Hose is equipped with 1 metric and 1 standard hose coupling; All other models
	202931	Fill Hose	10 feet; Hose is equipped with 1 metric and 1 standard hose coupling; All other models
10	D501086	Screw	
11	802926	Mixing Valve Screen	
12	802222P	Mixing Valve	Models BTEBLFSP431AW01, BTEBLFSP432AW01, BTEBXFSP432AW01, BTEL75*N4065, BTEL77*N4065, BTEX75*N4065, BTEX77*N4065, BTEX77*N4350, BTGBLFSP301AW01, BTGBLFSP302AW01, BTGBXFSP302AW01, BTGX79*N3060, HTEBXFSP542DW01, HTGBXFSP542DW01, NTEBXFSP302NW01, NTEBXFSP302NW22, NTEL77*N4064, NTEX77*N3000, NTEX77*N4064, NTEX77*N4067, NTEX77*N5400, NTGBXFSP302NW01, NTGL79*N4067, NTGX79*N3000, NTGX79*N4067, STEA77*N3069, STEBXFSP301NW22, STEBXFSP302NW01, STEBXFSP302NW22, STEBXFSP432AW01, STEBXFSP542DW01, STEBXFSP542NW01, STEF77*N4350, STEX77*N3000, STEX77*N4064, STEX77*N4350, STEX77*N4351, STEX77*N5400, STEX77*N5754, STEY77*N4064, STEY77*N5754, STGBXFSP301NW22, STGBXFSP302AW01, STGBXFSP302NW01, STGBXFSP302NW22, STGBXFSP542DW01, STGX79*N3000, STGX79*N3060 and STGX79*N3061
	802220P	Mixing Valve	All other models

\* Add Letter To Designate Color. Q - Bisque W - White

# Tub Front and Clamp Ring



FLW1012P\_802747

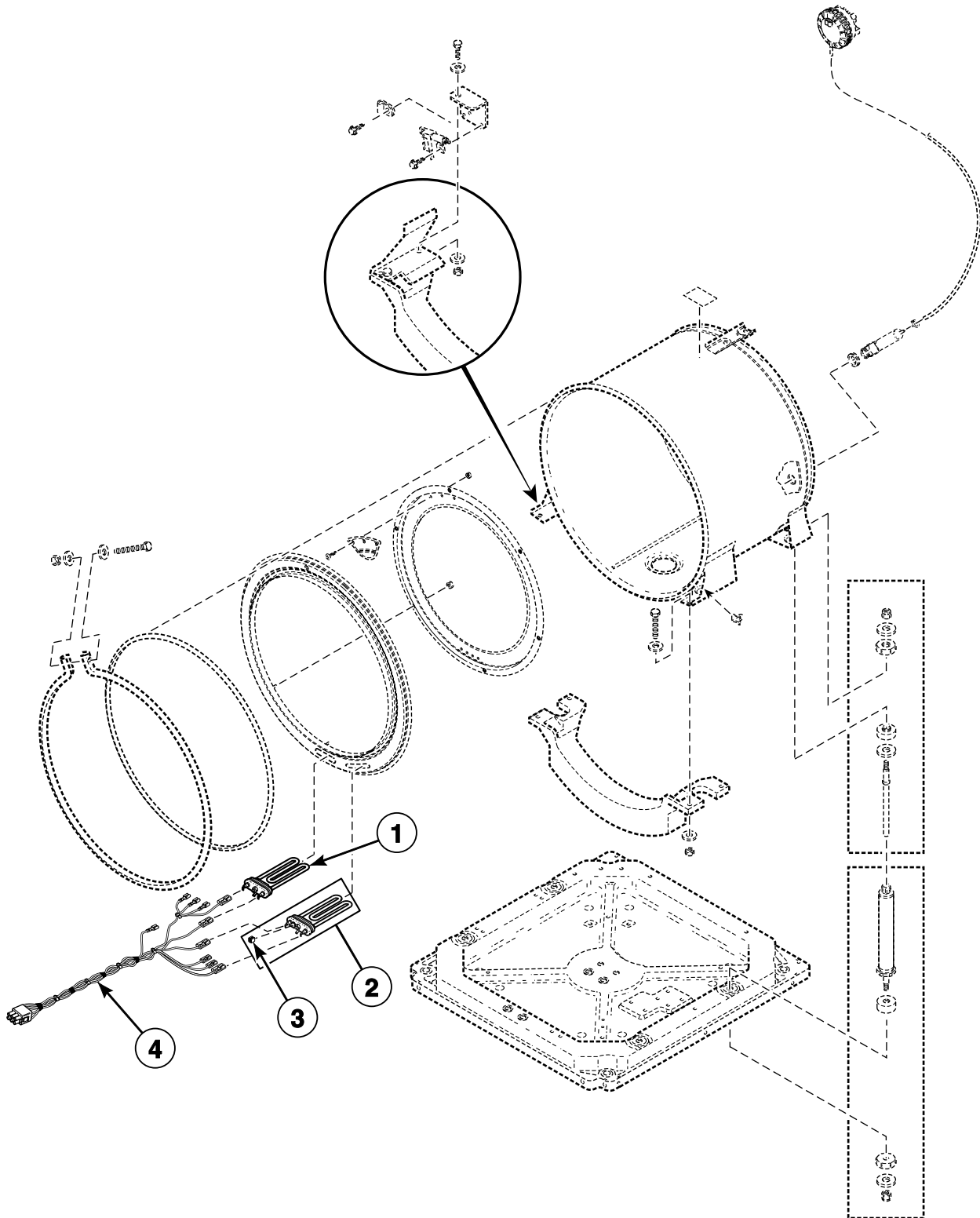
## Tub Front and Clamp Ring

REF	PART NO.	DESCRIPTION	COMMENTS
1	F430218	Nut	
2	800457	Washer	
3	800462	Screw	
4	800432P	Tub Front Seal	
5	802596	Screw	
6	804174P	Clothes Guard Deflector	
	804482	Clothes Guard Deflector	Heavy duty
7	803537	Clothes Guard	
8	802343	Nut	
9	804560P	Clothes Guard and Deflector Kit	Includes items 2-8
	804482	Clothes Guard Deflector	Heavy duty
10	802260	Tub Front Assembly	Models BTEL75*N4065, BTEL77*N4065, BTEX75*N4065, BTEX77*N4065, NTEL77*N4064, NTEX77*N4064, NTEX77*N4067, NTGL79*N4067, NTGX79*N4067, STEX77*N4064, STEX77*N5754, STEY77*N4064 and STEY77*N5754; Models through Serial No. 1001000989
	803494	Tub Front Assembly	Models BTEL75*N4065, BTEL77*N4065, BTEX75*N4065, BTEX77*N4065, NTEL77*N4064, NTEX77*N4064, NTEX77*N4067, NTGL79*N4067, NTGX79*N4067, STEX77*N4064, STEX77*N5754, STEY77*N4064 and STEY77*N5754; Models starting Serial No. 1001000990
	802258	Tub Front Assembly	All other models
11	800312	Clamp Ring	

\* Add Letter To Designate Color. Q - Bisque W - White

# Heating Element

Models BTEL75\*N4065, BTEL77\*N4065, BTEX75\*N4065, BTEX77\*N4065, NTEL77\*N4064, NTEX77\*N4064, NTEX77\*N4067, NTGL79\*N4067, NTGX79\*N4067, STEX77\*N4064, STEX77\*N5754, STEY77\*N4064 and STEY77\*N5754



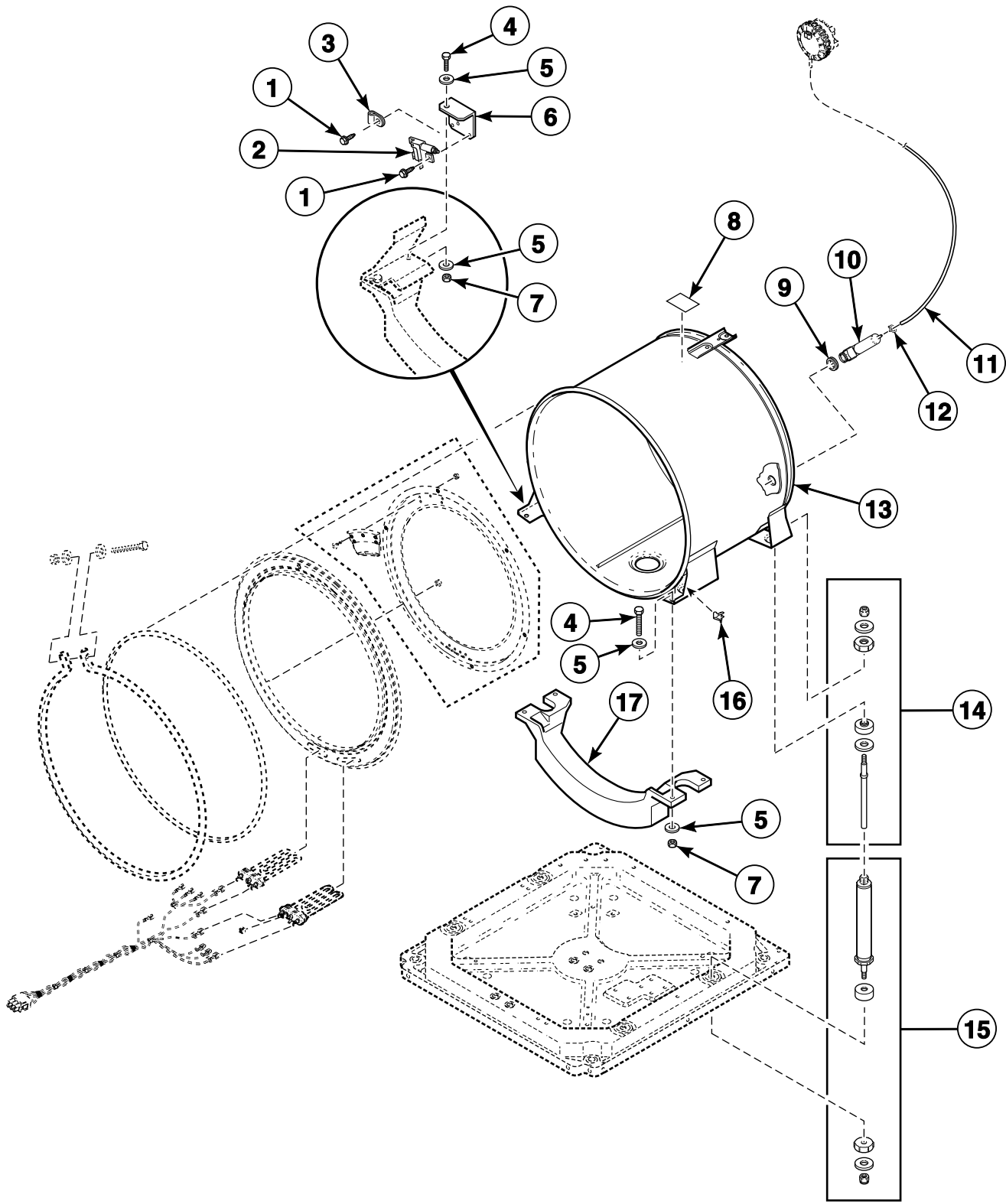
SWD1242P\_802747

# Heating Element

REF	PART NO.	DESCRIPTION	COMMENTS
1	804778P	Heating Element	
2	804777P	Heating Element	Includes item 3
3	803256	Thermistor	
4	802323P	Heater Harness	Models through Serial No. 1001000989
	803492	Heater Harness	Models starting Serial No. 1001000990

\* Add Letter To Designate Color. Q - Bisque W - White

# Outer Tub



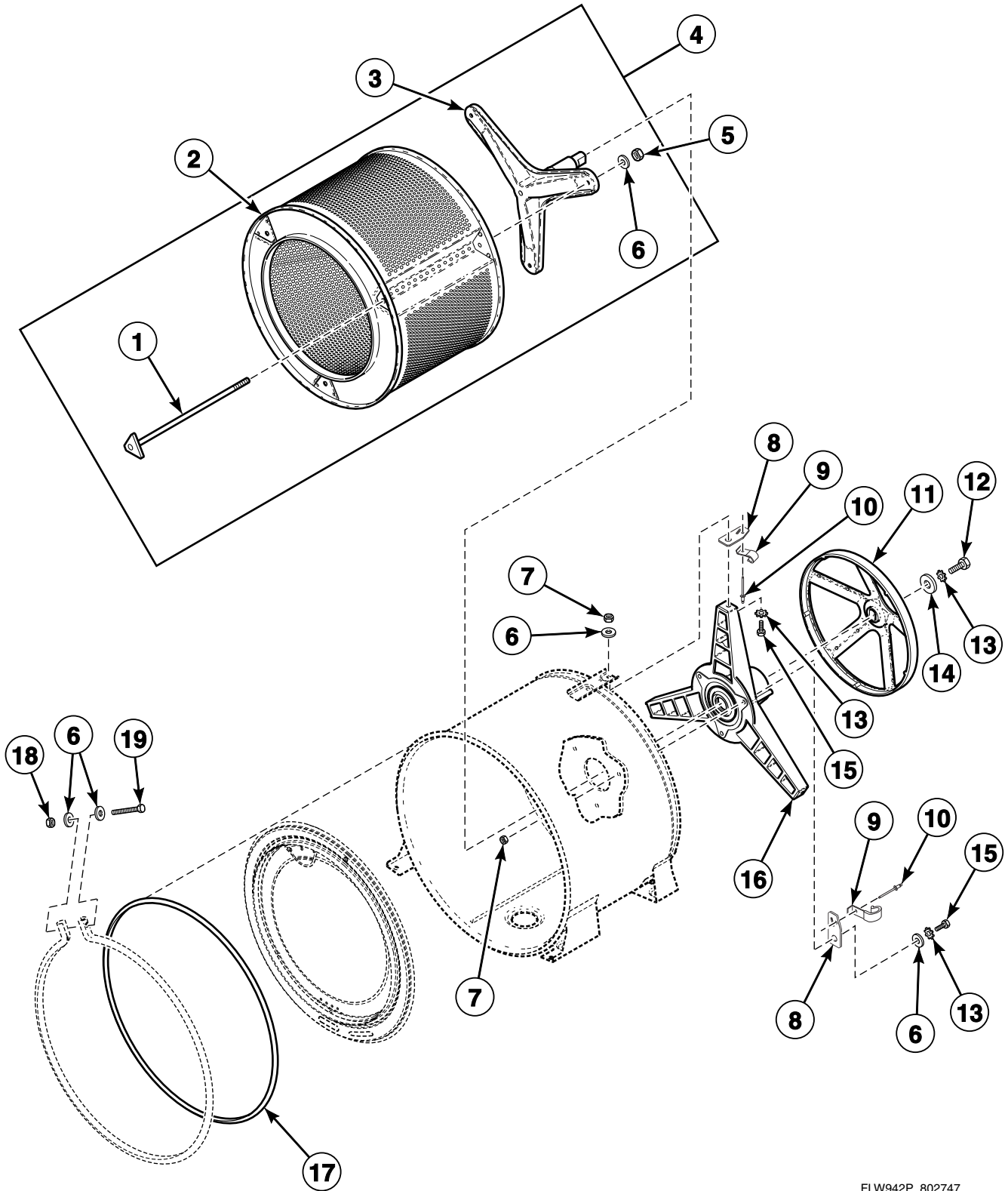
FLW1012PA\_802747

# Outer Tub

REF	PART NO.	DESCRIPTION	COMMENTS
1	D503661	Screw	
2	806512	Out-of-Balance Switch Assembly Kit	Models through Serial No. 1201004551
	803415	Out-of-Balance Switch Assembly	Models starting Serial No. 1201004552
3	800811	Wire Clamp	
4	800461	Screw	
5	M400081	Washer	
6	800663	Switch Mounting Bracket	Models through Serial No. 1201004551
	803388	Switch Mounting Bracket	Models starting Serial No. 1201004552
7	800452	Nut	
8	500314	Warning Label	Models BTEBEFSP281CW01, BTEBEFSP282CW01, BTGBEFSP091CW01, HTEB77*N2802, HTEBDFSP282CW01, HTEBXFSP282CW01, HTEBXFSP292CW01, HTEBYFSP282CW01, HTET77*N2802, HTEX77*N2802, HTEX77*N2902, HTEY77*N2802, HTGB79*N0902, HTGBDFSP092CW01, HTGBYFSP092CW01, HTGT79*N0902, HTGX79*N0902 and HTGY79*N0902
	F8211201	Electrical Shock Label	Models BTEL75*N4065, BTEL77*N4065, BTEX75*N4065, BTEX77*N4065, HTEBXFSP132DW01, HTEBXFSP542DW01, HTGBXFSP122DW01, HTGBXFSP542DW01, NTEBXFSP302NW01, NTEBXFSP302NW22, NTEL77*N4064, NTEX77*N3000, NTEX77*N4064, NTEX77*N4067, NTEX77*N5400, NTGBXFSP302NW01, NTGL79*N4067, NTGX79*N3000, NTGX79*N4067, STEA77*N3069, STEBXFSP132DW01, STEBXFSP301NW22, STEBXFSP302NW01, STEBXFSP302NW22, STEBXFSP542DW01, STEBXFSP542NW01, STEX77*N3000, STEX77*N4064, STEX77*N5400, STEX77*N5754, STEY77*N4064, STEY77*N5754, STGBXFSP122DW01, STGBXFSP301NW22, STGBXFSP302NW01, STGBXFSP302NW22, STGBXFSP542DW01 and STGX79*N3000
	F8615701	Pinch Warning Label	Models BTEL75*N4065, BTEL77*N4065, BTEX75*N4065, BTEX77*N4065, HTEBXFSP132DW01, HTEBXFSP542DW01, HTGBXFSP122DW01, HTGBXFSP542DW01, NTEBXFSP302NW01, NTEBXFSP302NW22, NTEL77*N4064, NTEX77*N3000, NTEX77*N4064, NTEX77*N4067, NTEX77*N5400, NTGBXFSP302NW01, NTGL79*N4067, NTGX79*N3000, NTGX79*N4067, STEA77*N3069, STEBXFSP132DW01, STEBXFSP301NW22, STEBXFSP302NW01, STEBXFSP302NW22, STEBXFSP542DW01, STEBXFSP542NW01, STEX77*N3000, STEX77*N4064, STEX77*N5400, STEX77*N5754, STEY77*N4064, STEY77*N5754, STGBXFSP122DW01, STGBXFSP301NW22, STGBXFSP302NW01, STGBXFSP302NW22, STGBXFSP542DW01 and STGX79*N3000
	D500049	Warning Label	All other models
9	29175	Grommet	
10	205241	Pressure Bulb Assembly	
11	800648P	Tubing	
12	39282	Hose Clamp	
13	801291	Outer Tub Assembly	Models BTEL75*N4065, BTEL77*N4065, BTEX75*N4065, BTEX77*N4065, NTEL77*N4064, NTEX77*N4064, NTEX77*N4067, NTGL79*N4067, NTGX79*N4067, STEX77*N4064, STEX77*N5754, STEY77*N4064 and STEY77*N5754
	801081P	Outer Tub Assembly	All other models
14	800622P	Tub Shock Absorber Kit	
15	807875	Base Shock Absorber Kit	Must replace all 4
16	00161	Grounding Clip	
17	800205	Ballast Weight	

\* Add Letter To Designate Color. Q - Bisque W - White

# Inner Basket, Trunnion, Bearing Housing and Pulley



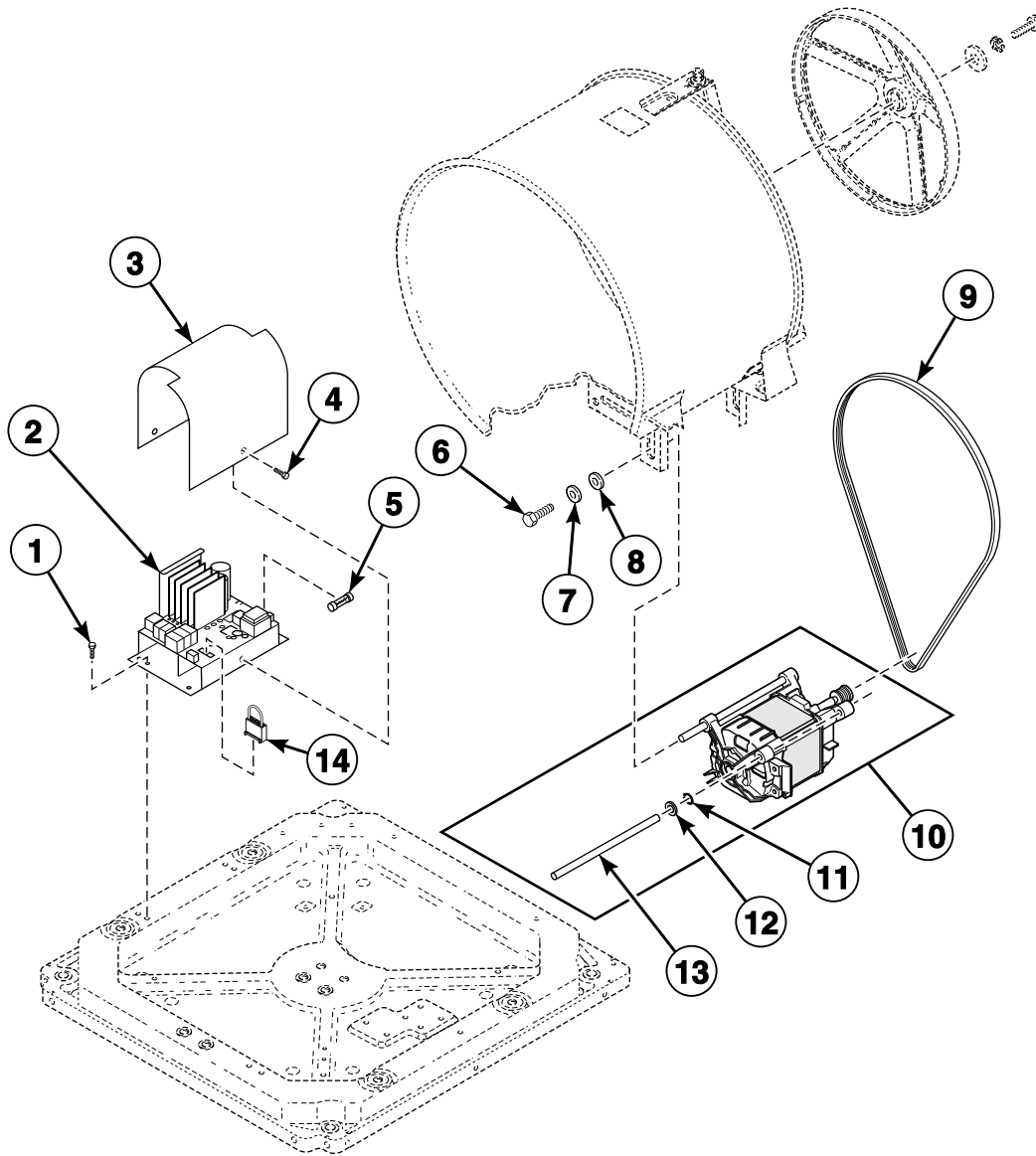
FLW942P\_802747



## Inner Basket, Trunnion, Bearing Housing and Pulley

REF	PART NO.	DESCRIPTION	COMMENTS
	27604P	Anti-Seize Compound	Pulley to inner basket shaft
	838P3	Hardware Kit	Includes (8) of item 6, (6) of item 7, (7) of item 13, (6) of item 10, (1) each of items 12, 14, 17, 18, 19 and 27604P Anti-Seize Compound
	RB160001	Bearing Kit	
<b>1</b>	800666	Tension Rod Assembly	
<b>2</b>	803008P	Inner Basket Assembly	
<b>3</b>	800749P	Trunnion Shaft and Hardware Kit	Includes (3) each of items 1, 5, 6, and 838P3 Hardware Kit
<b>4</b>	804322	Inner Basket Assembly	Models STEX77*N4351 and STGX79*N3061
	802365P	Inner Basket Assembly	All other models
<b>5</b>	803017	Nut	
<b>6</b>	800457	Washer	
<b>7</b>	800452	Nut	
<b>8</b>	800552	Hose Mounting Plate	
<b>9</b>	800553	Hose Clip	
<b>10</b>	685847	Pop Rivet	
<b>11</b>	800866	Driven Pulley	
<b>12</b>	685831	Screw	Left hand thread
<b>13</b>	M403958	Washer	
<b>14</b>	807679	Washer	
<b>15</b>	F430116	Screw	
<b>16</b>	800428P	Bearing Housing Kit	Includes 838P3 Hardware Kit
<b>17</b>	800432P	Tub Front Seal	
<b>18</b>	F430218	Nut	
<b>19</b>	800462	Screw	

# Washer Motor and Belt



FLW1022P\_802747

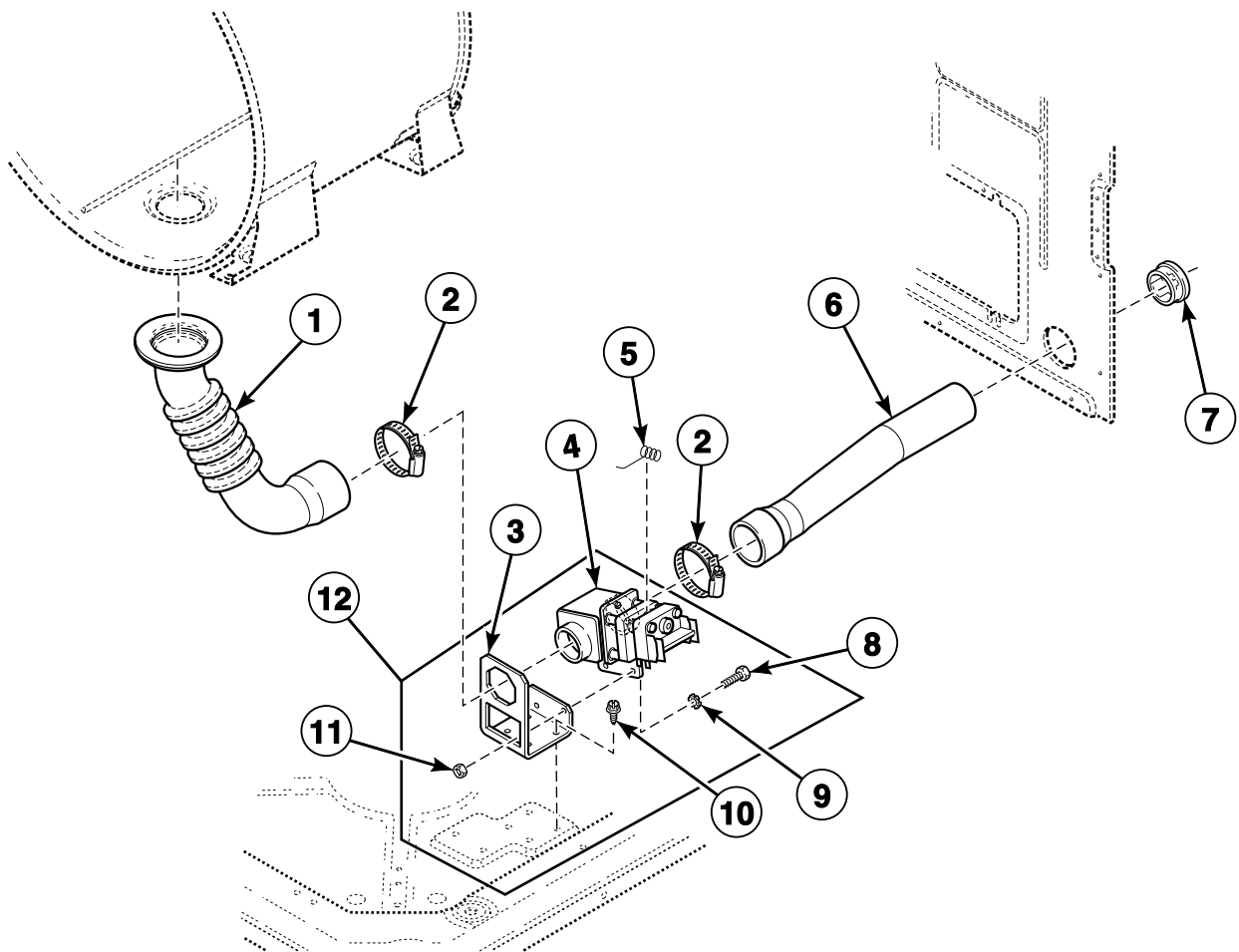
## Washer Motor and Belt

REF	PART NO.	DESCRIPTION	COMMENTS
1	D503661	Screw	
2	803255P	Inverter Control Assembly	240 Volt; Models BTEBLFSP431AW01, BTEBLFSP432AW01, BTEBFXFSP432AW01, BTEL75*N4065, BTEL77*N4065, BTEX75*N4065, BTEX77*N4065, BTEX77*N4350, BTGBLFSP301AW01, BTGBLFSP302AW01, BTGBXFSP302AW01, BTGX79*N3060, HTEBFXFSP542DW01, HTGBXFSP542DW01, NTEBFXFSP302NW01, NTEBFXFSP302NW22, NTEL77*N4064, NTEX77*N3000, NTEX77*N4064, NTEX77*N4067, NTEX77*N5400, NTGBXFSP302NW01, NTGL79*N4067, NTGX79*N3000, NTGX79*N4067, STEA77*N3069, STEBFXFSP301NW22, STEBFXFSP302NW01, STEBFXFSP302NW22, STEBFXFSP432AW01, STEBFXFSP542DW01, STEBFXFSP542NW01, STEF77*N4350, STEX77*N3000, STEX77*N4064, STEX77*N4350, STEX77*N4351, STEX77*N5400, STEX77*N5754, STEY77*N4064, STEY77*N5754, STGBXFSP301NW22, STGBXFSP302AW01, STGBXFSP302NW01, STGBXFSP302NW22, STGBXFSP542DW01, STGX79*N3000, STGX79*N3060 and STGX79*N3061
	803254P	Inverter Control Assembly	120 Volt; All other models
3	804738	Control Shield	Models BTEBLFSP432AW01, BTEBFXFSP432AW01, BTGBLFSP302AW01, BTGBXFSP302AW01, BTGX79*N3060, STEBFXFSP432AW01, STEX77*N4351, STGBXFSP302AW01 and STGX79*N3061
	801061	Control Shield	All other models
4	D501524	Screw	
5	801755	Fuse	10 Amp
6	M400057	Screw	
7	02834	Washer	
8	M400080	Washer	
9	800319P	Drive Belt	
10	801684P	Motor and Rod Assembly Kit	Includes 2 each of items 11-13 and wire ties
11	23748	Retaining Ring	
12	52549	Washer	
13	801062	Motor Mount Rod	
14	D513316	Jumper Harness	Use to limit spin RPM on inverter controls starting Serial No. 0911014603; 240 Volt; Models BTEBLFSP431AW01, BTEBLFSP432AW01, BTEBFXFSP432AW01, BTEL75*N4065, BTEL77*N4065, BTEX75*N4065, BTEX77*N4065, BTEX77*N4350, BTGBLFSP301AW01, BTGBLFSP302AW01, BTGBXFSP302AW01, BTGX79*N3060, HTEBFXFSP132DW01, HTEBFXFSP542DW01, HTGBXFSP542DW01, NTEBFXFSP302NW01, NTEBFXFSP302NW22, NTEL77*N4064, NTEX77*N3000, NTEX77*N4064, NTEX77*N4067, NTEX77*N5400, NTGBXFSP302NW01, NTGL79*N4067, NTGX79*N3000, NTGX79*N4067, STEA77*N3069, STEBFXFSP132DW01, STEBFXFSP301NW22, STEBFXFSP302NW01, STEBFXFSP302NW22, STEBFXFSP432AW01, STEBFXFSP542DW01, STEBFXFSP542NW01, STEF77*N4350, STEX77*N3000, STEX77*N4064, STEX77*N4350, STEX77*N4351, STEX77*N5400, STEX77*N5754, STEY77*N4064, STEY77*N5754, STGBXFSP301NW22, STGBXFSP302AW01, STGBXFSP302NW01, STGBXFSP302NW22, STGBXFSP542DW01, STGX79*N3000, STGX79*N3060 and STGX79*N3061
	D513268	Jumper Harness	Use to limit spin RPM on inverter controls starting Serial No. 0911014603; 120 Volt; All other models

\* Add Letter To Designate Color. Q - Bisque W - White

# Drain Hoses and Valve

Models BTEL75\*N4065, BTEX75\*N4065, STGA73\*N, STGBXFSG112TW01 and STGX73\*N



FLW1702P\_802747

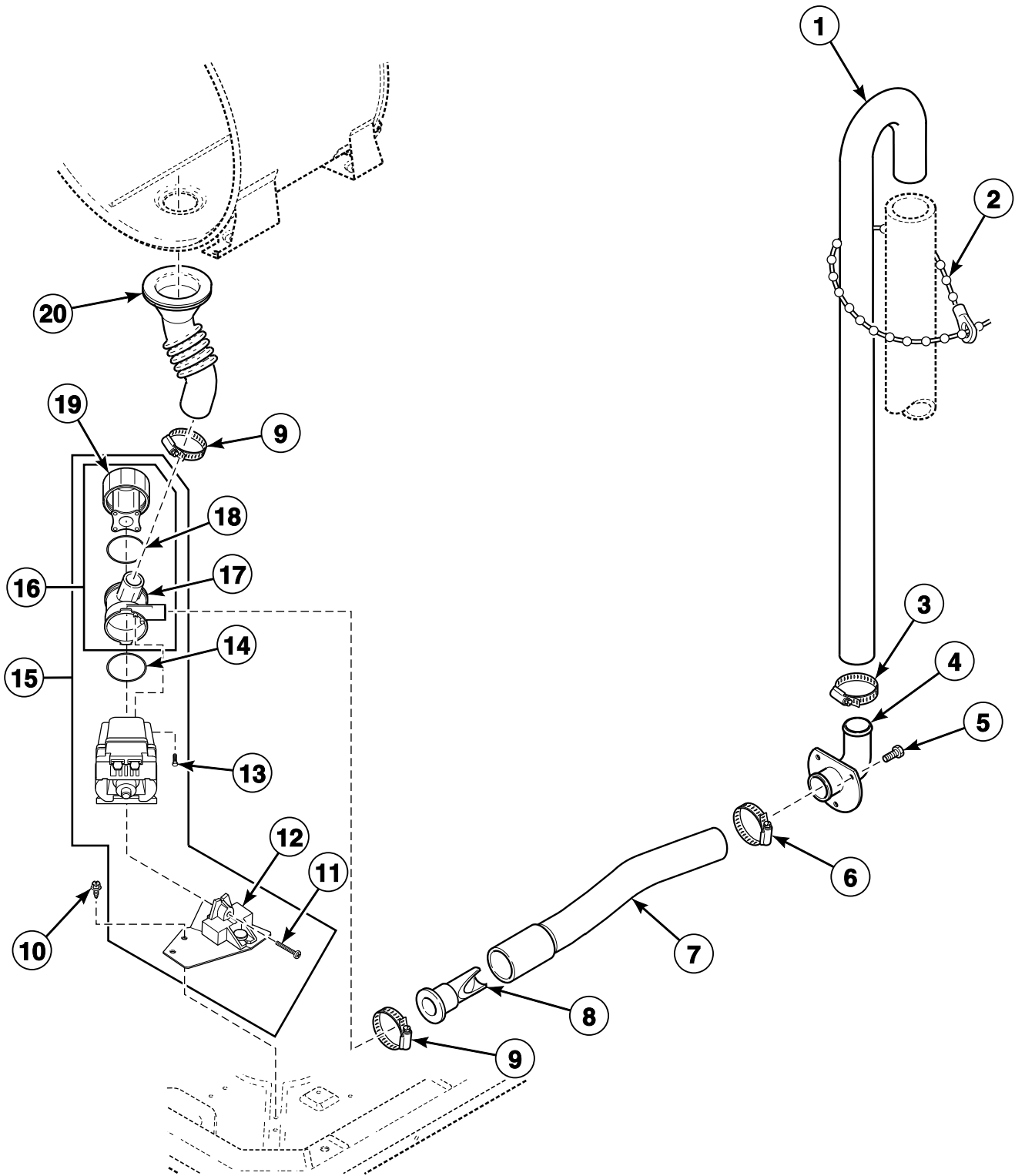
## Drain Hoses and Valve

REF	PART NO.	DESCRIPTION	COMMENTS
1	800902	Tub-to-Drain Hose	
2	685725	Hose Clamp	
3	803291	Gravity Drain Bracket	
4	803292P	Gravity Drain Valve	Models BTEL75*N4065 and BTEX75*N4065; Order F976P3 Drain Valve Kit for models through Serial No. 0904020485
	803293P	Drain Valve	Models STGA73*N and STGX73*N; Order F975P3 Drian Valve Kit for models through Serial No. 0904020485
5	F8504601	Spring	
6	800903	Drain-to-Cabinet Hose	
7	D503235	Snap Bushing	
8	02916	Screw	
9	M400017	Washer	
10	D503661	Screw	
11	29786	Nut	
12	F976P3	Drain Valve Kit	Includes items 3, 4 and 7-10; Models BTEL75*N4065 and BTEX75*N4065
	F975P3	Drain Valve Kit	Includes items 3, 4 and 7-10; Models STGA73*N, STGBXFSG112TW01 and STGX73*N

\* Add Letter To Designate Color. Q - Bisque W - White

# Hoses and Pump

All Models Except BTEL75\*N4065, BTEX75\*N4065, STGA73\*N, STGBXFSG112TW01 and STGX73\*N



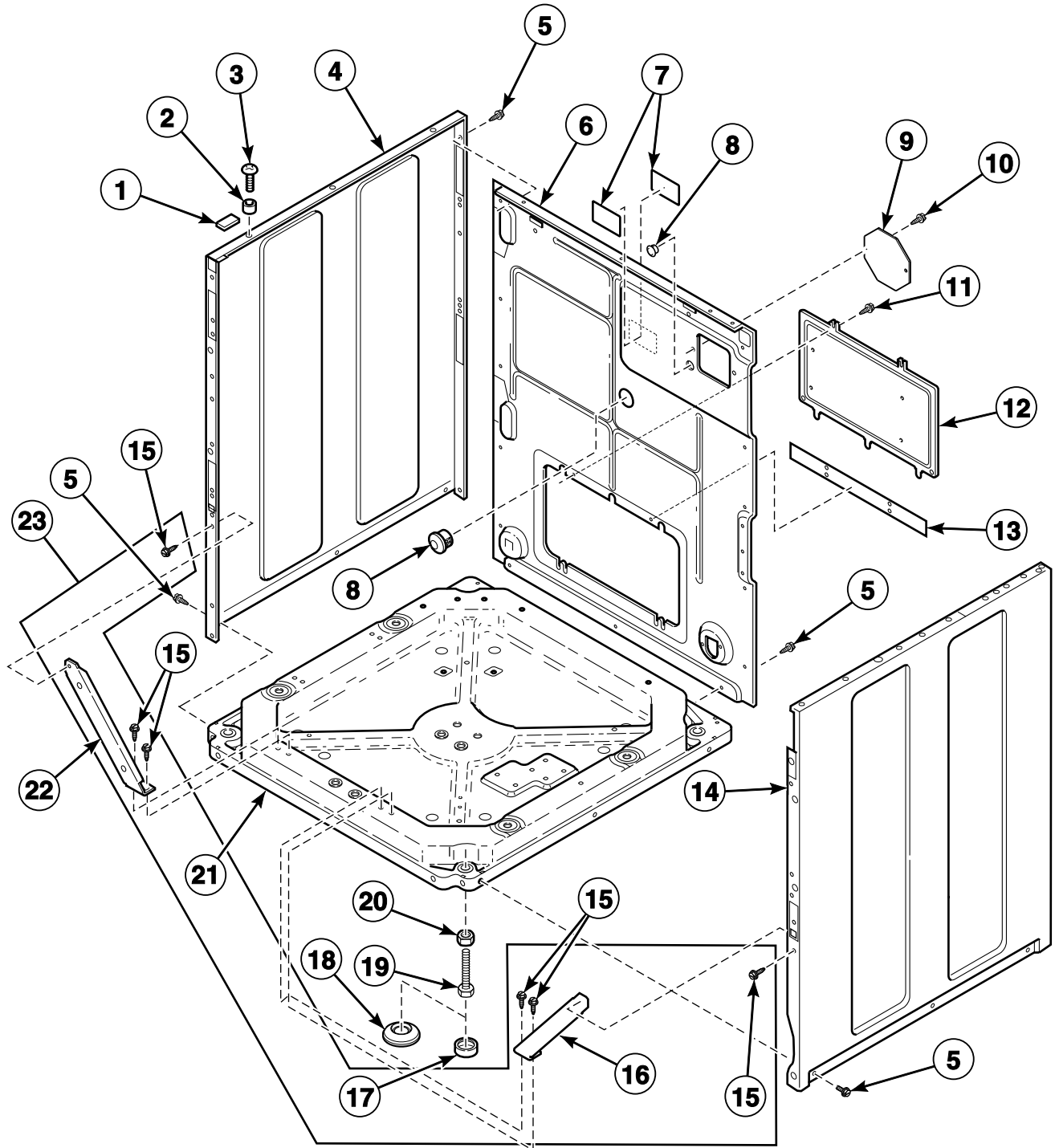
FLW943P\_802747

# Hoses and Pump

REF	PART NO.	DESCRIPTION	COMMENTS
1	27154	Drain Hose	
2	33489	Standpipe Strap	
3	20211	Hose Clamp	
4	35766	Drain Hose Elbow	
5	52909	Screw	
6	20391	Hose Clamp	
7	685737	Pump-to-Elbow Hose	
8	800310	Backflow Preventer	
9	F200204	Hose Clamp	
10	D503661	Screw	
11	802430	Screw	
12	802626	Pump Mount Bracket	
13	802431	Screw	
14	802429P	O-Ring	
15	802624P	Drain Pump	Models BTEBLFSP431AW01, BTEBLFSP432AW01, BTEBXFSP432AW01, BTEL77*N4065, BTEX77*N4065, BTEX77*N4350, BTGBLFSP301AW01, BTGBLFSP302AW01, BTGBXFSP302AW01, BTGX79*N3060, NTEBXFSP302NW01, NTEBXFSP302NW22, NTEL77*N4064, NTEX77*N3000, NTEX77*N4064, NTEX77*N4067, NTGBXFSP302NW01, NTGL79*N4067, NTGX79*N3000, NTGX79*N4067, STEA77*N3069, STEBXFSP301NW22, STEBXFSP302NW01, STEBXFSP302NW22, STEBXFSP432AW01, STEF77*N4350, STEX77*N3000, STEX77*N4064, STEX77*N4350, STEX77*N4351, STEY77*N4064, STGBXFSP301NW22, STGBXFSP302AW01, STGBXFSP302NW01, STGBXFSP302NW22, STGX79*N3000, STGX79*N3060 and STGX79*N3061
	802625P	Drain Pump	Models HTEBXFSP542DW01, HTGBXFSP542DW01, NTEX77*N5400, STEBXFSP542DW01, STEBXFSP542NW01, STEX77*N5400, STEX77*N5754, STEY77*N5754 and STGBXFSP542DW01
	802623P	Drain Pump	All other models
16	802434P	Pump Housing Assembly	Includes items 17-19
17	802428	Pump Housing	
18	802427	Gasket	
19	802426P	Lid Assembly	Includes filter
20	800317	Tub-to-Pump Hose	
	27615P	Sealant	Tub-to-pump hose to outer tub
	985P3	Drain Kit	Includes 803344 Tub-to-Pump Hose with Trap, 90554 Hose Clamp, 803400 Cap and 27615P Sealant

\* Add Letter To Designate Color. Q - Bisque W - White

# Washer Base, Side Panels and Rear Panel



SWD1206P\_802747



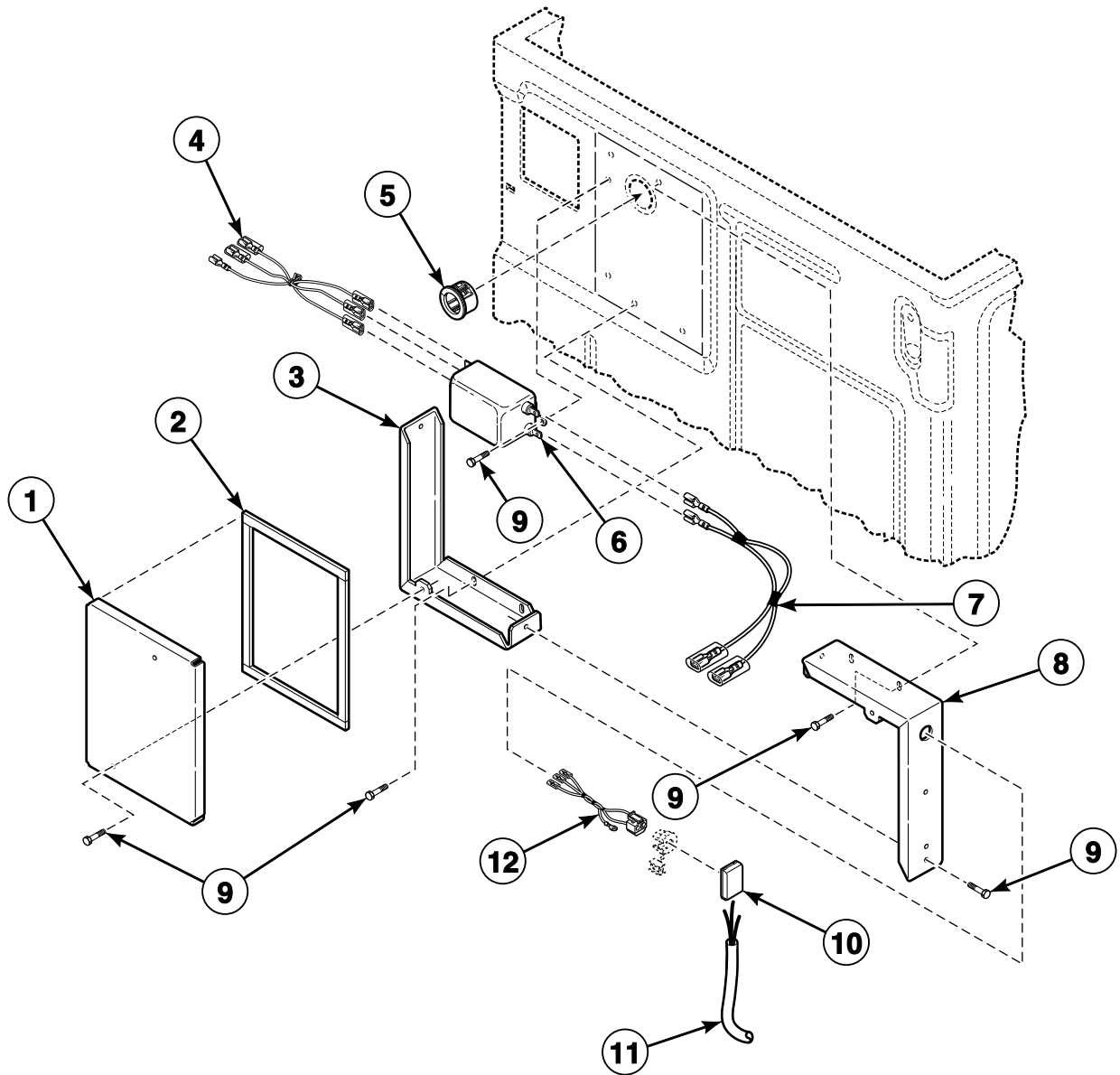
## Washer Base, Side Panels and Rear Panel

REF	PART NO.	DESCRIPTION	COMMENTS
	122P4P	Porcelain Touch-Up Paint	White
	370P4P	Porcelain Touch-Up Paint	Bisque
1	36226	Bumper Pad	
2	56079	Panel Locator	
3	39733	Screw	
4	800004WP	Cabinet Panel Kit	White; Left; Includes corner gusset with hardware
	800004QP	Cabinet Panel Kit	Bisque; Left; Includes corner gusset with hardware
5	D503661	Screw	
6	801216	Rear Panel	Models BTEL75*N4065, BTEX75*N4065, STGA73*N, STGBXFSG112TW01 and STGX73*N
	800010P	Rear Panel	All other models
7	804949	Left Hand Thread Label	Icon
	685928	Left Hand Thread Label	Text
8	M412154	Hole Plug	
9	61203	Thermostat Opening Cover	Models BTEBEFSP281CW01, BTEBEFSP282CW01, BTEL75*N4065, BTEL77*N4065, BTEX75*N4065, BTEX77*N4065, BTGBEFSP091CW01, HTEB77*N2802, HTEBDFSP282CW01, HTEBXFSP282CW01, HTEBXFSP292CW01, HTEBYFSP282CW01, HTET77*N2802, HTEX77*N2802, HTEX77*N2902, HTEY77*N2802, HTGB79*N0902, HTGBDFSP092CW01, HTGBYFSP092CW01, HTGT79*N0902, HTGX79*N0902, HTGY79*N0902, NTEL77*N4064, NTEX77*N4064, NTEX77*N4067, NTGL79*N4067, NTGX79*N4067, STEX77*N4064, STEX77*N5754, STEY77*N4064 and STEY77*N5754
10	M405188	Screw	
11	430497	Screw	
12	800011	Rear Access Panel	
13	801702	Motor Access Hole Edging	
14	806492	Side Panel Kit	White; Right; Includes 801024 Dispenser Plate with hardware
	800005QP	Side Panel Kit	Bisque; Right; Includes 801024 Dispenser Plate with hardware
15	31645	Screw	
16	801492	Cabinet Brace	Right
17	34318	Rubber Foot	
18	802844P	Anchor Floor Mount Assembly	Includes 2 rubber discs with adhesive backing
19	34319	Leveling Leg	
20	21899	Nut	
21	803876	Base Assembly	
22	801491	Cabinet Brace	Left
23	918P3	Brace Kit	Includes items 15, 16 and 22

\* Add Letter To Designate Color. Q - Bisque W - White

# Junction Box and Power Cord

Models BTEBLFSP431AW01, BTEBLFSP432AW01, BTEBXFSP172FW01, BTEBXFSP432AW01, BTEX77\*N1727, BTEX77\*N4350, BTGBLFSP301AW01, BTGBLFSP302AW01, BTGBXFSP112FW01, BTGBXFSP302AW01, BTGX79\*N1127, BTGX79\*N3060, HTEBXFSP132DW01, HTEBXFSP542DW01, HTGBXFSP122DW01, HTGBXFSP542DW01, NTEBXFSP302NW01, NTEBXFSP302NW22, NTEX77\*N3000, NTEX77\*N5400, NTGBXFSP302NW01, NTGX79\*N3000, STEA77\*N3069, STEBXFSP132DW01, STEBXFSP301NW22, STEBXFSP302NW01, STEBXFSP302NW22, STEBXFSP432AW01, STEBXFSP542DW01, STEBXFSP542NW01, STEF77\*N4350, STEX77\*N2827, STEX77\*N3000, STEX77\*N4350, STEX77\*N4351, STEX77\*N5400, STGBXFSP122DW01, STGBXFSP301NW22, STGBXFSP302AW01, STGBXFSP302NW01, STGBXFSP302NW22, STGBXFSP542DW01, STGX79\*N3000, STGX79\*N3060 and STGX79\*N3061



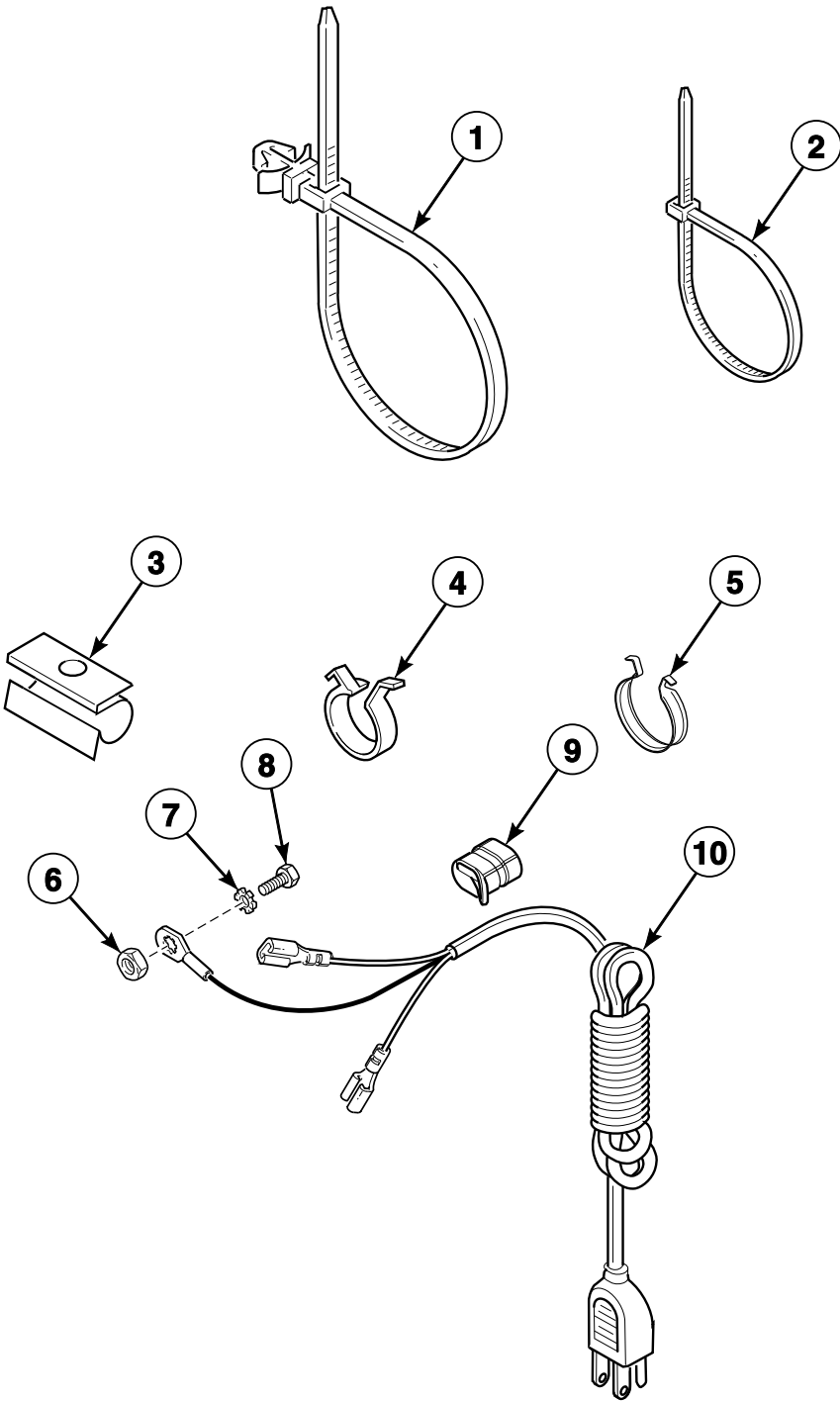
FLW1699P\_802747

## Junction Box and Power Cord

REF	PART NO.	DESCRIPTION	COMMENTS
1	801404	Junction Box Cover	
2	801425P	Junction Box Seal	4 required
3	801433	Lower Junction Box	
4	808048	Filter Jumper Harness	Line filter to power cord terminal block; All models except HTEBXFSP132DW01, HTEBXFSP542DW01, HTGBXFSP122DW01, HTGBXFSP542DW01, STEBXFSP132DW01, STEBXFSP542DW01, STGBXFSP122DW01 and STGBXFSP542DW01
5	M402542	Snap Bushing	
6	201058	Line Filter	All models except HTEBXFSP132DW01, HTEBXFSP542DW01, HTGBXFSP122DW01, HTGBXFSP542DW01, STEBXFSP132DW01, STEBXFSP542DW01, STGBXFSP122DW01 and STGBXFSP542DW01
7	802013	Wire Harness Assembly	Line filter to control harness; Models BTEBXFSP172FW01, BTEX77*N1727, BTGBXFSP112FW01, BTGX79*N1127 and STEX77*N2827
	801421	Wire Harness Assembly	Line filter to control harness; All other models
8	801403	Junction Box	Upper
9	D503661	Screw	
10	39922	Cable Connection Box	
11	801450	Power Cord Assembly	Models NTEBXFSP302NW01, NTEBXFSP302NW22, NTEX77*N3000, NTEX77*N5400, NTGBXFSP302NW01, NTGX79*N3000, STEBXFSP301NW22, STEBXFSP302NW01, STEBXFSP302NW22, STEBXFSP542NW01, STEX77*N3000, STEX77*N5400, STGBXFSP301NW22, STGBXFSP302NW01, STGBXFSP302NW22 and STGX79*N3000
	808047	Power Cord Assembly	Models BTEBLFSP431AW01, BTEBLFSP432AW01, BTEBXFSP432AW01, BTEX77*N4350, BTGBLFSP301AW01, BTGBLFSP302AW01, BTGBXFSP302AW01, BTGX79*N3060, STEBXFSP432AW01, STEF77*N4350, STEX77*N4350, STEX77*N4351, STGBXFSP302AW01, STGX79*N3060 and STGX79*N3061; Includes plug
	802012	Power Cord Assembly	Models BTEBXFSP172FW01, BTEX77*N1727, BTGBXFSP112FW01, BTGX79*N1127 and STEX77*N2827
	808045	Power Cord Assembly	Model STEA77*N3069
	804556	Lead-In Cord Assembly	Models HTEBXFSP132DW01, HTEBXFSP542DW01, HTGBXFSP122DW01, HTGBXFSP542DW01, STEBXFSP132DW01, STEBXFSP542DW01, STGBXFSP122DW01 and STGBXFSP542DW01
12	201405P	Lead-In Wire Harness Assembly	Models HTEBXFSP132DW01, HTGBXFSP122DW01, STEBXFSP132DW01 and STGBXFSP122DW01
	804680	Lead-In Wire Harness Assembly	Models HTEBXFSP542DW01, HTGBXFSP542DW01, STEBXFSP542DW01 and STGBXFSP542DW01

\* Add Letter To Designate Color. Q - Bisque W - White

# Wire Ties, Harness Clips and Washer Lead-In Cord



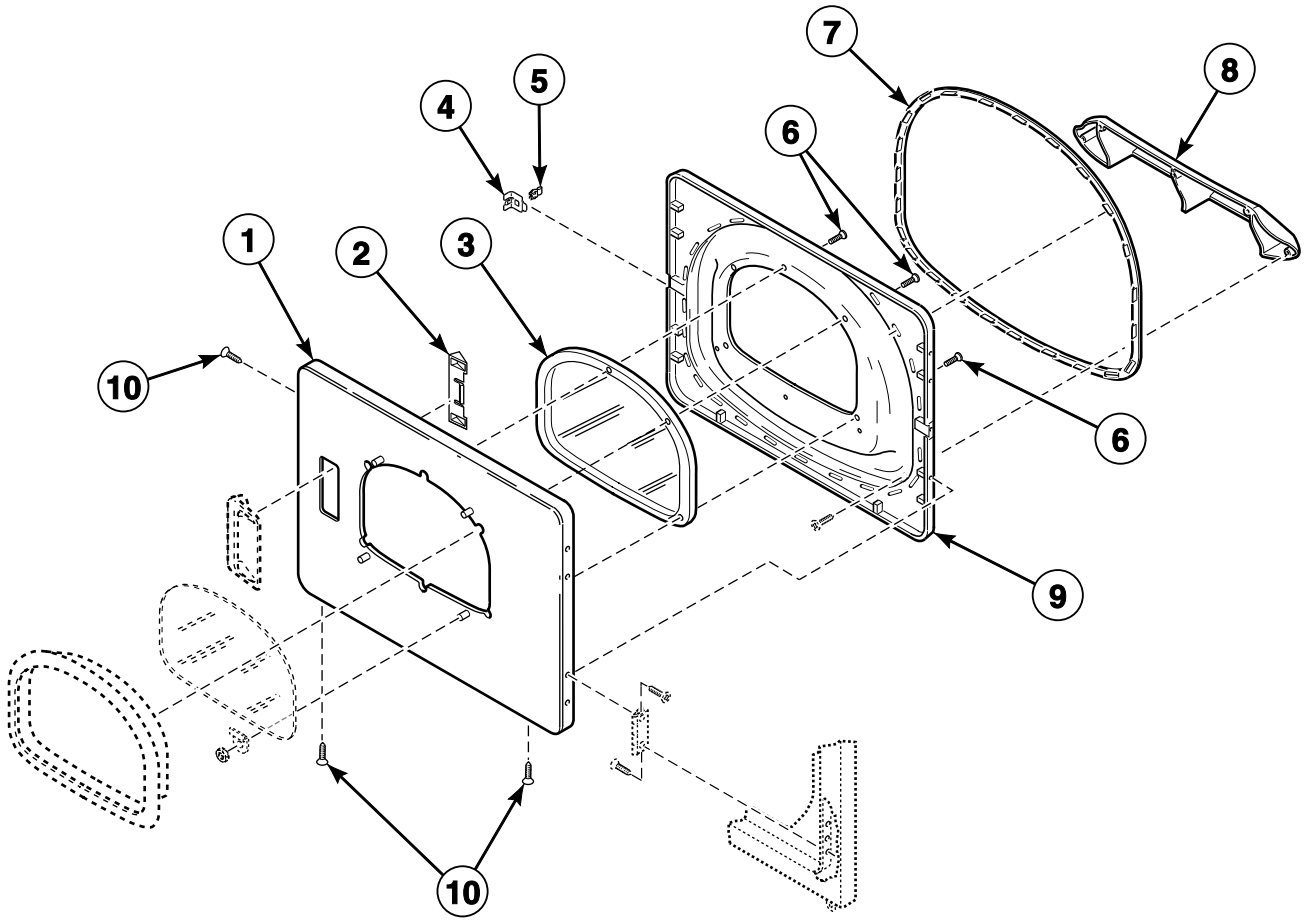
FLW823P\_802747

## Wire Ties, Harness Clips and Washer Lead-In Cord

REF	PART NO.	DESCRIPTION	COMMENTS
1	38663	Wire Tie	Push mount; 4.83 inches
	M405829	Cable Tie	6.13 inches
2	55881	Harness Strap	
3	36985	Hose Clip	
4	D504034	Wire Clip	Small
5	687500	Wire Clip	Large
6	03673	Nut	
7	03815	Washer	
8	20530	Screw	
9	38384	Strain Relief	
10	34458	Lead-In Cord	Models BTEBCFSP171TW01, BTEBCFSP172TW01, BTEBEFSP171TW01, BTGBCFSP111TW01, BTGBCFSP112TW01, BTGBEFSP111TW01, HTEBCFSP172TW01, HTEBXFSP172FW28, HTET77*N, HTEY77*N, HTGBCFSP112TW01, HTGBXFSP112FW28, HTGBYFSP112TW01, HTGT79*N, HTGY79*N, STEA77*N, STEB77*N, STEBCFSP172TQ01, STEBCFSP172TW01, STEBXFSP172TQ01, STEBXFSP172TW01, STEBYFSP172TW01, STEF77*N, STET77*N, STEX77*N, STEY77*N, STGA73*N, STGA79*N, STGB79*N, STGBCFSP112TW01, STGBXFSP112TW01, STGBXFSP112TW01, STGBYFSP112TW01, STGF79*N, STGT79*N, STGX73*N, STGX79*N and STGY79*N

\* Add Letter To Designate Color. Q - Bisque W - White

# Dryer Loading Door with Window (Drawing 1 of 3)



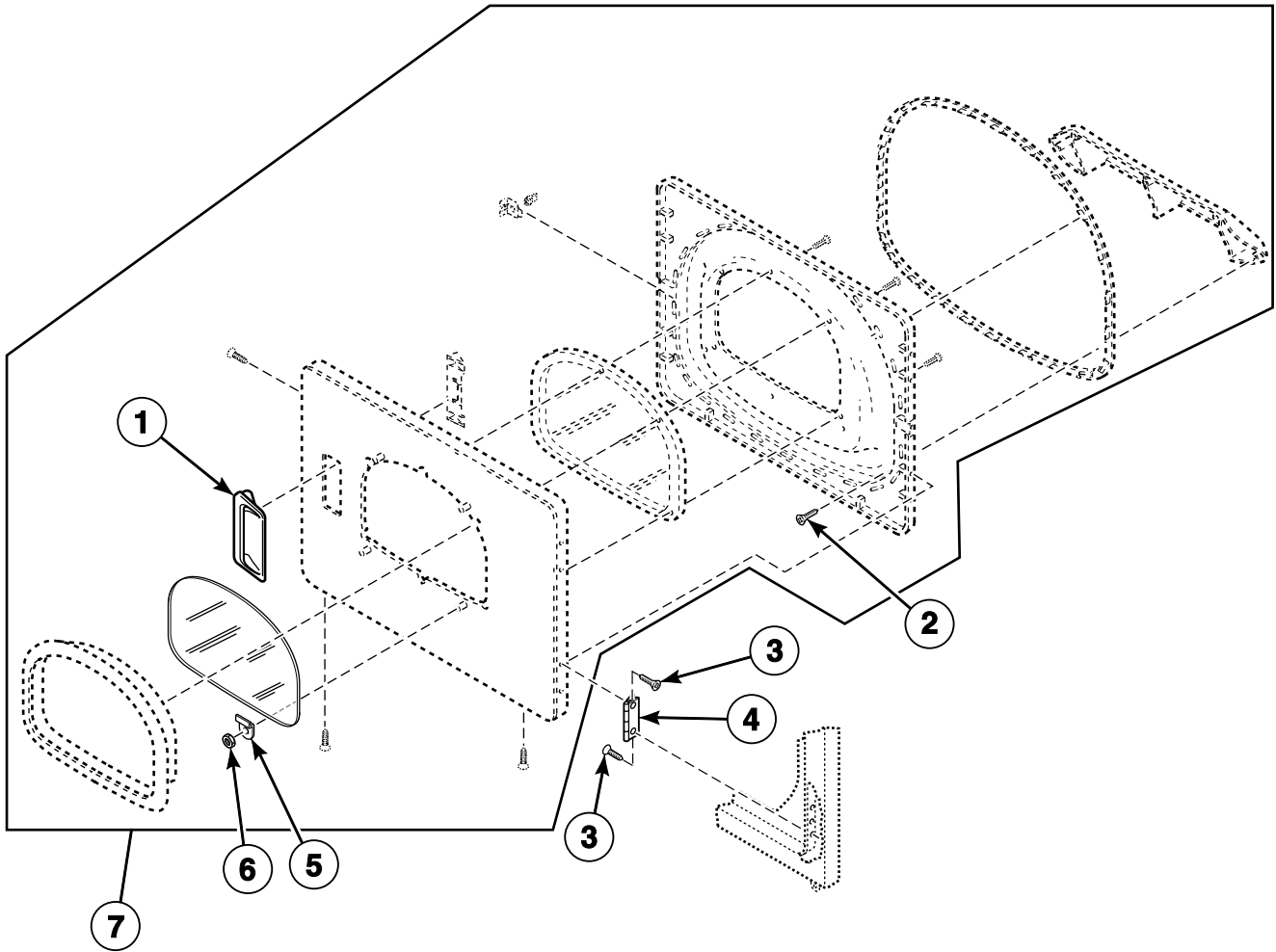
DRY2296P\_802747

## Dryer Loading Door with Window (Drawing 1 of 3)

REF	PART NO.	DESCRIPTION	COMMENTS
1	D510082WP	Dryer Door	White; Models BTEBCFSP172TW01, BTEBEFSP282CW01, HTEBCFSP172TW01, HTEBDFSP282CW01, HTEBXFSP172FW28, HTEBXFSP282CW01, HTEBXFSP292CW01, HTEBYFSP282CW01, STEBCFSP172TQ01, STEBCFSP172TW01, STEBXFSP172TQ01, STEBXFSP172TW01 and STEBYFSP172TW01 through Serial No. 1303025314; All other models
	D510082QP	Dryer Door	Bisque; Models BTEBCFSP172TW01, BTEBEFSP282CW01, HTEBCFSP172TW01, HTEBDFSP282CW01, HTEBXFSP172FW28, HTEBXFSP282CW01, HTEBXFSP292CW01, HTEBYFSP282CW01, STEBCFSP172TQ01, STEBCFSP172TW01, STEBXFSP172TQ01, STEBXFSP172TW01 and STEBYFSP172TW01 through Serial No. 1303025314; All other models
	D514114Q	Dryer Door Assembly	Bisque; Models BTEBCFSP172TW01, BTEBEFSP282CW01, HTEBCFSP172TW01, HTEBDFSP282CW01, HTEBXFSP172FW28, HTEBXFSP282CW01, HTEBXFSP292CW01, HTEBYFSP282CW01, STEBCFSP172TQ01, STEBCFSP172TW01, STEBXFSP172TQ01, STEBXFSP172TW01 and STEBYFSP172TW01 starting Serial No. 1303025315
2	D510129W	Door Handle Wedge	
3	D503982P	Dryer Door Window	
4	D510127	Door Strike Mount	
5	D510181	Door Strike	
6	D505870	Screw	
7	D510147P	Liner Door Seal	
8	D503870W	Door Liner Grill	Models BTEBCFSP172TW01, BTEBEFSP282CW01, HTEBCFSP172TW01, HTEBDFSP282CW01, HTEBXFSP172FW28, HTEBXFSP282CW01, HTEBXFSP292CW01, HTEBYFSP282CW01, STEBCFSP172TQ01, STEBCFSP172TW01, STEBXFSP172TQ01, STEBXFSP172TW01 and STEBYFSP172TW01 through Serial No. 1303025314; All other models
	D503870LG	Door Liner Grill	Models BTEBCFSP172TW01, BTEBEFSP282CW01, HTEBCFSP172TW01, HTEBDFSP282CW01, HTEBXFSP172FW28, HTEBXFSP282CW01, HTEBXFSP292CW01, HTEBYFSP282CW01, STEBCFSP172TQ01, STEBCFSP172TW01, STEBXFSP172TQ01, STEBXFSP172TW01 and STEBYFSP172TW01 starting Serial No. 1303025315
9	D516509	Liner and Seal Assembly	Includes item 7; Models BTEBCFSP172TW01, BTEBEFSP282CW01, HTEBCFSP172TW01, HTEBDFSP282CW01, HTEBXFSP172FW28, HTEBXFSP282CW01, HTEBXFSP292CW01, HTEBYFSP282CW01, STEBCFSP172TQ01, STEBCFSP172TW01, STEBXFSP172TQ01, STEBXFSP172TW01 and STEBYFSP172TW01 through Serial No. 1303025314; All other models
10	D500226	Screw	

\* Add Letter To Designate Color. Q - Bisque W - White

# Dryer Loading Door with Window (Drawing 2 of 3)



DRY2296PA

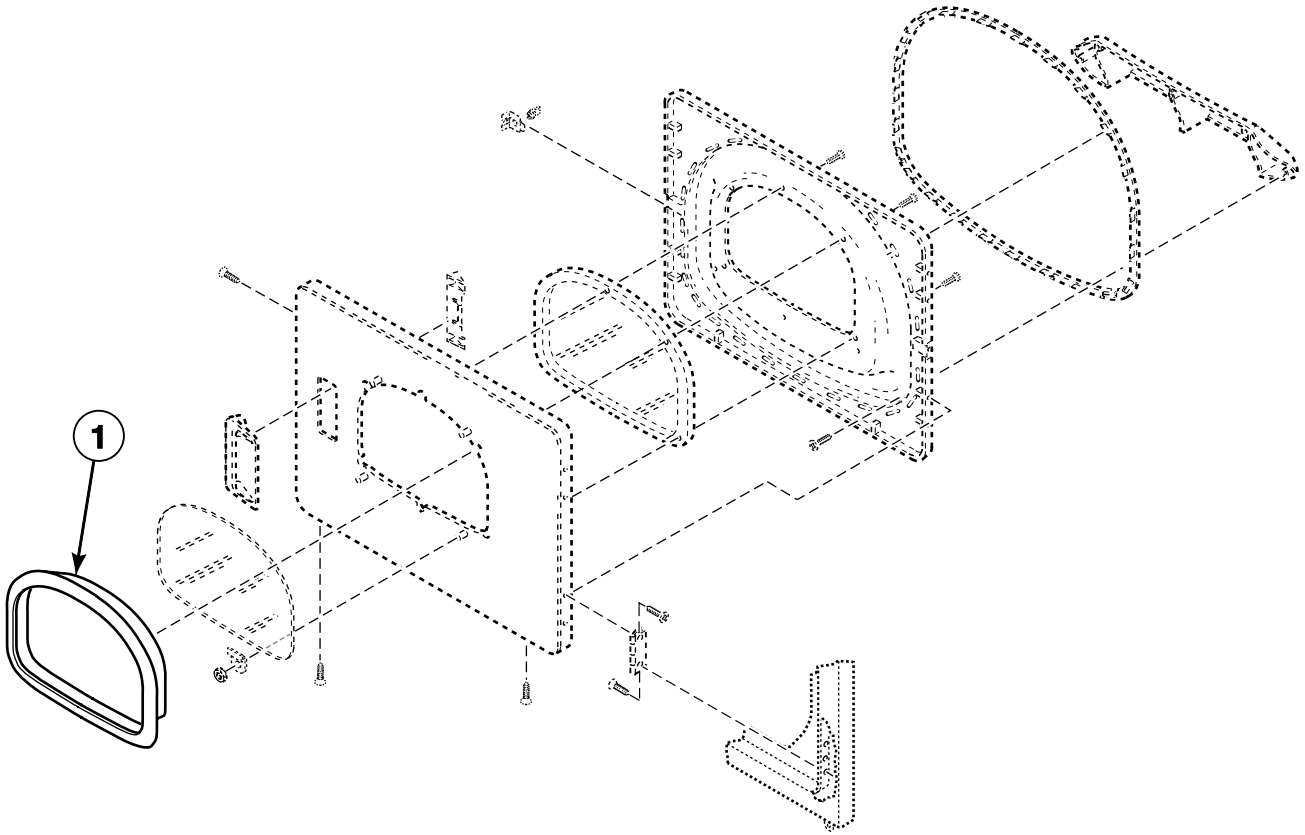


## Dryer Loading Door with Window (Drawing 2 of 3)

REF	PART NO.	DESCRIPTION	COMMENTS
1	D510103WP	Door Pull and Wedge Kit	White; Includes D510129W Door Handle Wedge
	D510103QP	Door Pull and Wedge Kit	Bisque; Includes D510129W Door Handle Wedge
2	D505870	Screw	
3	D505295	Screw	
4	D511036	Hinge	
5	D513958	Window Clip	Models BTEBCFSP172TW01, BTEBEFSP282CW01, HTEBCFSP172TW01, HTEBDFSP282CW01, HTEBXFSP172FW28, HTEBXFSP282CW01, HTEBXFSP292CW01, HTEBYFSP282CW01, STEBCFSP172TQ01, STEBCFSP172TW01, STEBXFSP172TQ01, STEBXFSP172TW01 and STEBYFSP172TW01 starting Serial No. 1303025315
6	44071201	Nut	Models BTEBCFSP172TW01, BTEBEFSP282CW01, HTEBCFSP172TW01, HTEBDFSP282CW01, HTEBXFSP172FW28, HTEBXFSP282CW01, HTEBXFSP292CW01, HTEBYFSP282CW01, STEBCFSP172TQ01, STEBCFSP172TW01, STEBXFSP172TQ01, STEBXFSP172TW01 and STEBYFSP172TW01 starting Serial No. 1303025315
7	D516737W	Door Assembly	White; Includes window trim, items 2-3, and items 1-10 shown in <i>Dryer Loading Door with Window (Drawing 1 of 3)</i>
	D511636QP	Door and Liner Assembly	Bisque; Includes window trim, items 2-3, and items 1-10 shown in <i>Dryer Loading Door with Window (Drawing 1 of 3)</i> ; Models BTEBCFSP172TW01, BTEBEFSP282CW01, HTEBCFSP172TW01, HTEBDFSP282CW01, HTEBXFSP172FW28, HTEBXFSP282CW01, HTEBXFSP292CW01, HTEBYFSP282CW01, STEBCFSP172TQ01, STEBCFSP172TW01, STEBXFSP172TQ01, STEBXFSP172TW01 and STEBYFSP172TW01 through Serial No. 1303025314; All other models

\* Add Letter To Designate Color. Q - Bisque W - White

# Dryer Loading Door with Window (Drawing 3 of 3)



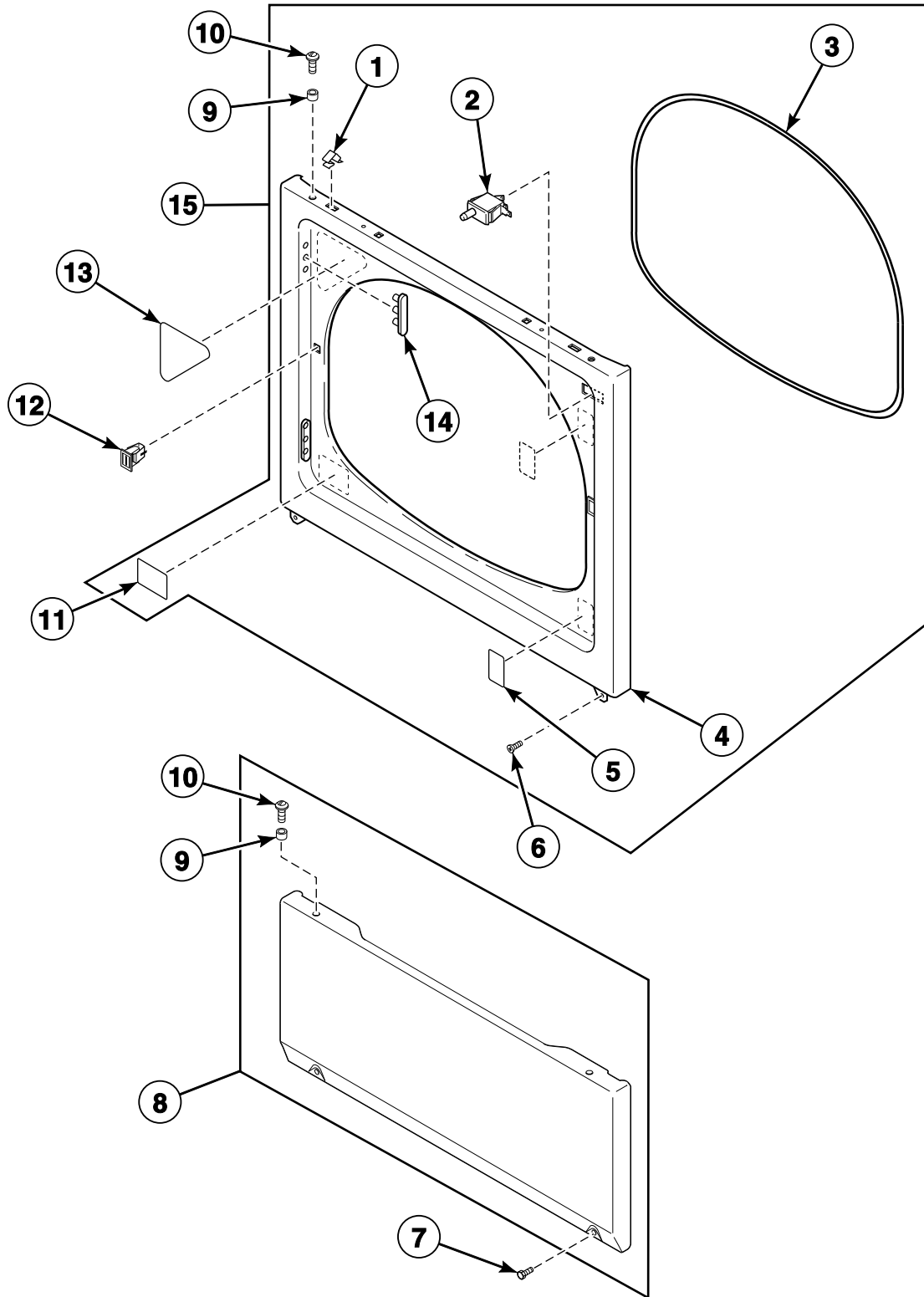
DRY2296PB\_802747

## Dryer Loading Door with Window (Drawing 3 of 3)

REF	PART NO.	DESCRIPTION	COMMENTS
1	D512633	Window Trim	Gray; Models BTEBCFSP172TW01 and BTEBEFSP282CW01 through Serial No. 1303025314; Models BTEBCFSP171TW01, BTEBEFSP171TW01, BTEBEFSP281CW01, BTEBLFSP431AW01, BTEBLFSP432AW01, BTEBXFSP172FW01, BTEBXFSP432AW01, BTEL75*N4065, BTEL77*N4065, BTEX75*N4065, BTEX77*N1727, BTEX77*N4065, BTEX77*N4350, BTGBCFSP111TW01, BTGBCFSP112TW01, BTGBEFSP091CW01, BTGBEFSP111TW01, BTGBLFSP301AW01, BTGBLFSP302AW01, BTGBXFSP112FW01, BTGBXFSP302AW01, BTGX79*N1127 and BTGX79*N3060
	D517041	Door Assembly	Models BTEBCFSP172TW01 and BTEBEFSP282CW01 starting Serial No. 1303025315
	D503981W	Window Trim	White; Models HTEBCFSP172TW01, HTEBDFSP282CW01, HTEBXFSP172FW28, HTEBXFSP282CW01, HTEBXFSP292CW01, HTEBYFSP282CW01, STEBCFSP172TQ01, STEBCFSP172TW01, STEBXFSP172TQ01, STEBXFSP172TW01 and STEBYFSP172TW01 through Serial No. 1303025314; All other models
	D503981Q	Window Trim	Bisque; Models HTEBCFSP172TW01, HTEBDFSP282CW01, HTEBXFSP172FW28, HTEBXFSP282CW01, HTEBXFSP292CW01, HTEBYFSP282CW01, STEBCFSP172TQ01, STEBCFSP172TW01, STEBXFSP172TQ01, STEBXFSP172TW01 and STEBYFSP172TW01 through Serial No. 1303025314; All other models
	D513960Q	Window Trim	Bisque; Models HTEBCFSP172TW01, HTEBDFSP282CW01, HTEBXFSP172FW28, HTEBXFSP282CW01, HTEBXFSP292CW01, HTEBYFSP282CW01, STEBCFSP172TQ01, STEBCFSP172TW01, STEBXFSP172TQ01, STEBXFSP172TW01 and STEBYFSP172TW01 starting Serial No. 1303025315

\* Add Letter To Designate Color. Q - Bisque W - White

# Dryer Access Panel, Front Panel and Seal



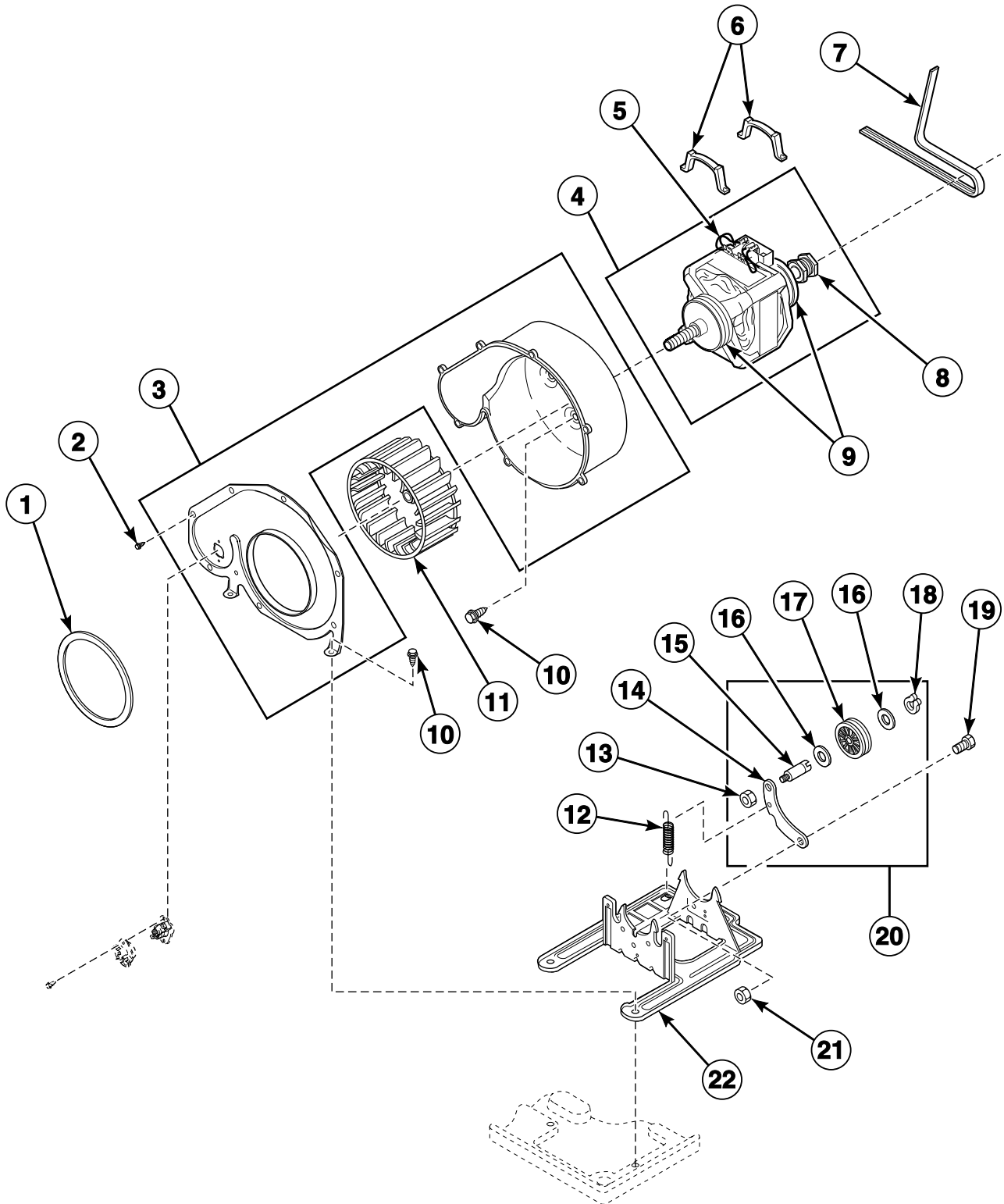
D400PE3A\_802747

## Dryer Access Panel, Front Panel and Seal

REF	PART NO.	DESCRIPTION	COMMENTS
1	28835	Speed Clip	
2	D512973	Switch	
3	D511056	Front Panel Seal	
4	D510066WP	Front Panel	White
	D510066QP	Front Panel	Bisque
5	D503688	Screw	
6	D512263	Warning Label	Models BTEBLFSP431AW01, BTEBLFSP432AW01, BTEBXFSP432AW01, BTEX77*N4350, BTGBLFSP301AW01, BTGBLFSP302AW01, BTGBXFSP302AW01, BTGX79*N3060, STEBXFSP432AW01, STEF77*N4350, STEX77*N4350, STEX77*N4351, STGBXFSP302AW01, STGX79*N3060 and STGX79*N3061
7	33562	Screw	Slotted hex head
	62853	Screw	Torx head; Optional for added security
8	D514250WP	Access Panel Assembly	White; All other models
	D514250Q	Access Panel Assembly	Bisque; Models BTEBCFSP172TW01, BTEBEFSP282CW01, HTEBCFSP172TW01, HTEBDFSP282CW01, HTEBXFSP172FW28, HTEBXFSP282CW01, HTEBXFSP292CW01, HTEBYFSP282CW01, STEBCFSP172TQ01, STEBCFSP172TW01, STEBXFSP172TQ01, STEBXFSP172TW01 and STEBYFSP172TW01 through Serial No. 1303025314; All other models
	D514252Q	Access Panel and Guard Assembly	Bisque; Models BTEBCFSP172TW01, BTEBEFSP282CW01, HTEBCFSP172TW01, HTEBDFSP282CW01, HTEBXFSP172FW28, HTEBXFSP282CW01, HTEBXFSP292CW01, HTEBYFSP282CW01, STEBCFSP172TQ01, STEBCFSP172TW01, STEBXFSP172TQ01, STEBXFSP172TW01 and STEBYFSP172TW01 starting Serial No. 1303025315
9	56079	Panel Locator	
10	39733	Screw	
11	D519038	Clean Lint Label	Models BTEBLFSP431AW01, BTEBLFSP432AW01, BTEBXFSP432AW01, BTEX77*N4350, BTGBLFSP301AW01, BTGBLFSP302AW01, BTGBXFSP302AW01, BTGX79*N3060, STEBXFSP432AW01, STEF77*N4350, STEX77*N4350, STEX77*N4351, STGBXFSP302AW01, STGX79*N3060 and STGX79*N3061
12	D510177	Door Catch Assembly	
13	D500253	Caution Label	Models BTEBEFSP281CW01, BTEBEFSP282CW01, BTGBEFSP091CW01, HTEB77*N2802, HTEBDFSP282CW01, HTEBXFSP282CW01, HTEBXFSP292CW01, HTEBYFSP282CW01, HTET77*N2802, HTEX77*N2802, HTEX77*N2902, HTEY77*N2802, HTGB79*N0902, HTGBDFSP092CW01, HTGBYFSP092CW01, HTGT79*N0902, HTGX79*N0902 and HTGY79*N0902
	D514226	Warning Label	Models HTEBXFSP132DW01, HTEBXFSP542DW01, HTGBXFSP122DW01, HTGBXFSP542DW01, STEBXFSP132DW01, STEBXFSP542DW01, STGBXFSP122DW01 and STGBXFSP542DW01
	D500281	Warning/Caution Label	All other models
14	D510186	Hinge Hole Plug	
15	D513781WP	Front Panel Assembly	Includes items 1-4, 9, 10, 12, 14, D516737W Door Assembly, (2) of D511036 Door Hinge and (8) of D500226 Screw

\* Add Letter To Designate Color. Q - Bisque W - White

# Dryer Motor, Blower Fan and Belt



SWD1175P\_802747

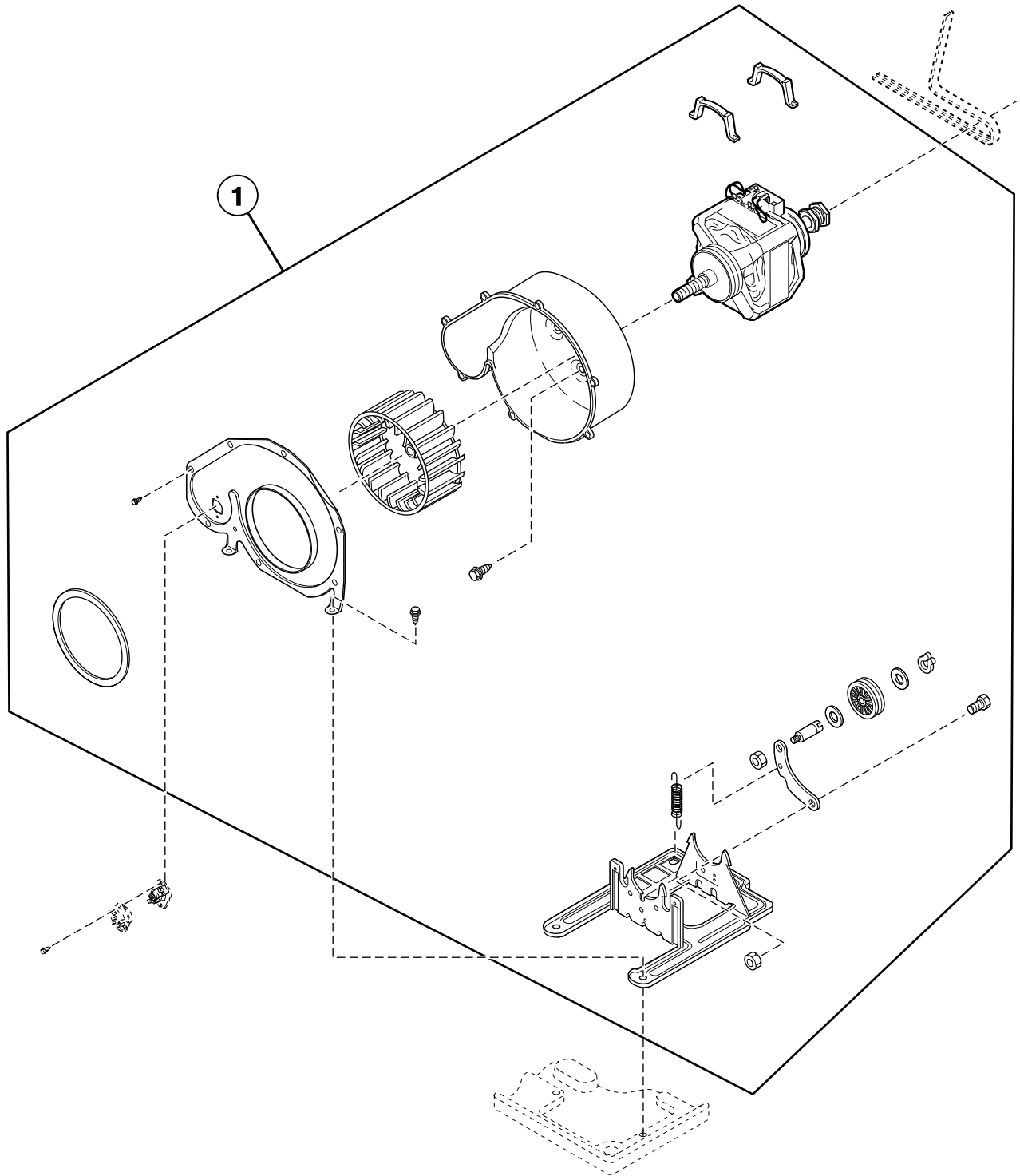
## Dryer Motor, Blower Fan and Belt

REF	PART NO.	DESCRIPTION	COMMENTS
	D519214	Dryer Maintenance Kit	Includes D510142P Idler Pulley, D510708P Cylinder Roller (two), D513710 Cylinder Glide (two), D510189 Felt Pad (two) and D511255P Cylinder Belt
1	D510238P	Blower Housing Seal	
2	31260	Screw	
3	D511969WP	Blower Housing	
4	D505869P	Motor and Pulley Assembly	240 Volt/60 Hertz; Includes items 5 and 8; Models HTGBXFSP542DW01, NTEX77*N5400, STEBXFSP542NW01, STEX77*N5400, STEX77*N5754, STEY77*N5754 and STGBXFSP542DW01
	D505843P	Motor and Pulley Assembly	240 Volt/50 Hertz; Includes items 5 and 8; Models BTEBLFSP431AW01, BTEBLFSP432AW01, BTEBXFSP432AW01, BTEL75*N4065, BTEL77*N4065, BTEX75*N4065, BTEX77*N4065, BTEX77*N4350, BTGBLFSP301AW01, BTGBLFSP302AW01, BTGBXFSP302AW01, BTGX79*N3060, NTEBXFSP302NW01, NTEBXFSP302NW22, NTEL77*N4064, NTEX77*N3000, NTEX77*N4064, NTEX77*N4067, NTGBXFSP302NW01, NTGL79*N4067, NTGX79*N3000, NTGX79*N4067, STEA77*N3069, STEBXFSP301NW22, STEBXFSP302NW01, STEBXFSP302NW22, STEBXFSP432AW01, STEF77*N4350, STEX77*N3000, STEX77*N4064, STEX77*N4350, STEX77*N4351, STEY77*N4064, STGBXFSP301NW22, STGBXFSP302AW01, STGBXFSP302NW01, STGBXFSP302NW22, STGX79*N3000, STGX79*N3060 and STGX79*N3061
	D511629P	Motor and Pulley Assembly	120 Volt/60 Hertz; Includes items 5, 8 and 9; All other models
5	N/A	Motor Switch Kit	Does not include thermal protector
6	D510180	Motor Mount Clamp	
7	D511255P	Cylinder Belt	
8	D500011	Motor Pulley	60 Hertz
	D500222	Motor Pulley	50 Hertz
9	590P3	Motor Hub Ring Kit	
10	D503688	Screw	
11	D510139P	Blower Fan Assembly	
12	D510185	Idler Spring	
13	56156	Nut	
14	D516310	Idler Lever	
15	56461P	Shaft	
16	52549	Washer	
17	D510142P	Idler Wheel and Bearing Assembly	
18	23748	Retaining Ring	
19	D500824	Screw	
20	D516792	Idler Lever and Wheel Assembly	Includes items 13-18
21	52566	Nut	
22	D518517	Motor Mount	

\* Add Letter To Designate Color. Q - Bisque W - White

N/A = Part no longer available

# Blower and Fan Kit



SWD1175PB\_802747

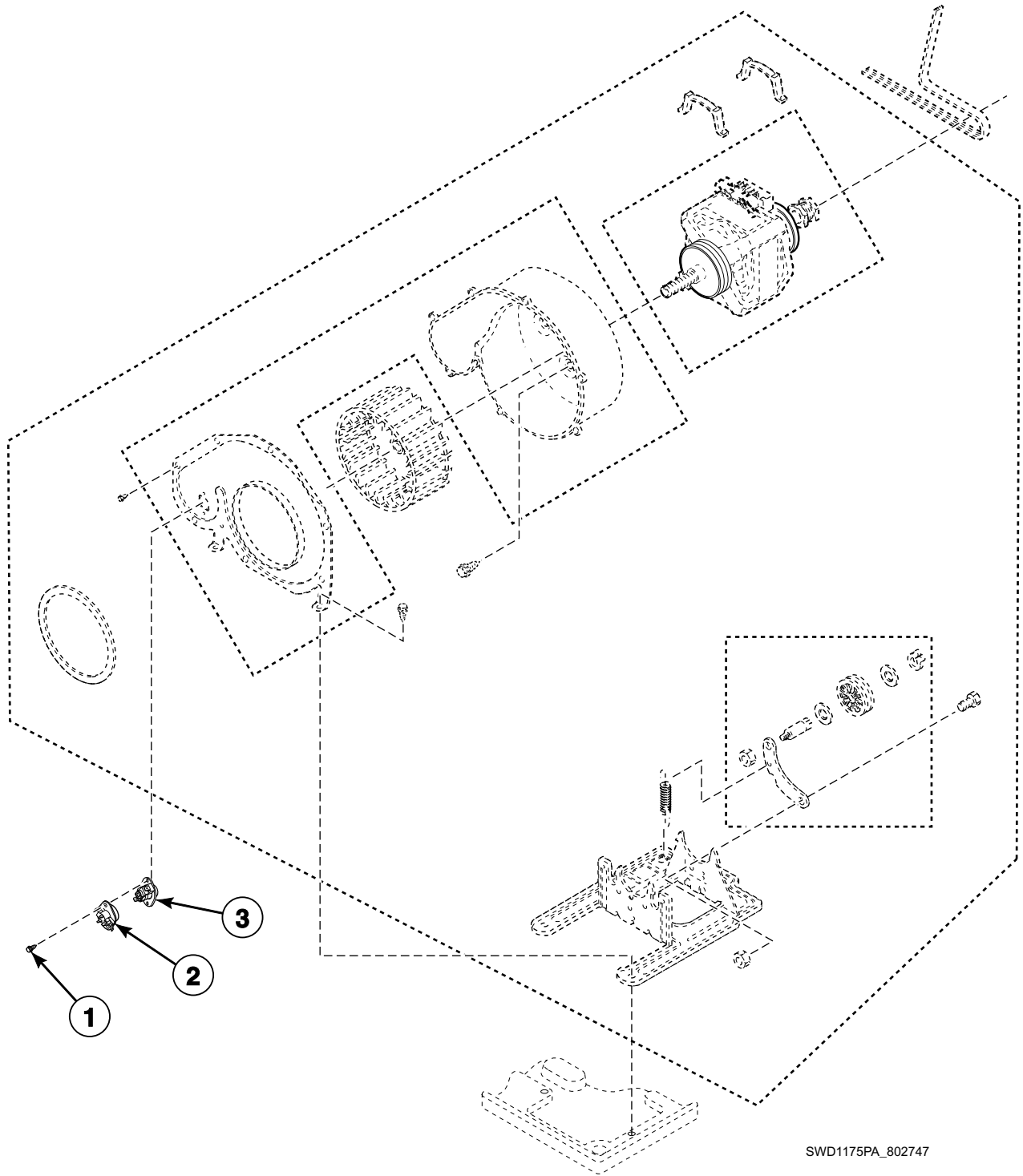


# Blower and Fan Kit

REF	PART NO.	DESCRIPTION	COMMENTS
1	D510717P	Blower and Fan Kit	120 Volt/60 Hertz; Includes items 1-6 and 8-22 shown in <i>Dryer Motor, Blower Fan and Belt</i> ; Models BTEBCFSP171TW01, BTEBCFSP172TW01, BTEBEFSP171TW01, BTEBEFSP281CW01, BTEBEFSP282CW01, BTEBXFSP172FW01, BTEBYFSP172TW01, BTEX77*N1727, BTGBCFSP111TW01, BTGBCFSP112TW01, BTGBEFSP091CW01, BTGBEFSP111TW01, BTGBXFSP112FW01, BTGBYFSP112TW01, BTGX79*N1127, HTEB77*N2802, HTEBCFSP172TW01, HTEBDFSP282CW01, HTEBXFSP172FW28, HTEBXFSP282CW01, HTEBXFSP292CW01, HTEBYFSP282CW01, HTET77*N, HTET77*N2802, HTEX77*N2802, HTEX77*N2902, HTEY77*N, HTEY77*N2802, HTGB79*N0902, HTGBCFSP112TW01, HTGBDFSP092CW01, HTGBXFSP112FW28, HTGBXFSP122DW01, HTGBYFSP092CW01, HTGBYFSP112TW01, HTGT79*N, HTGT79*N0902, HTGX79*N0902, HTGY79*N, HTGY79*N0902, STEA77*N, STEB77*N, STEBCFSP172TQ01, STEBCFSP172TW01, STEBXFSP172TQ01, STEBXFSP172TW01, STEBYFSP172TW01, STEF77*N, STET77*N, STEX77*N, STEX77*N2827, STEY77*N, STGA73*N, STGA79*N, STGB79*N, STGBCFSP112TW01, STGBXFSP112TW01, STGBXFSP122DW01, STGBYFSP112TW01, STGF79*N, STGT79*N, STGX73*N, STGX79*N and STGY79*N

\* Add Letter To Designate Color. Q - Bisque W - White

# Thermistor and Thermostat



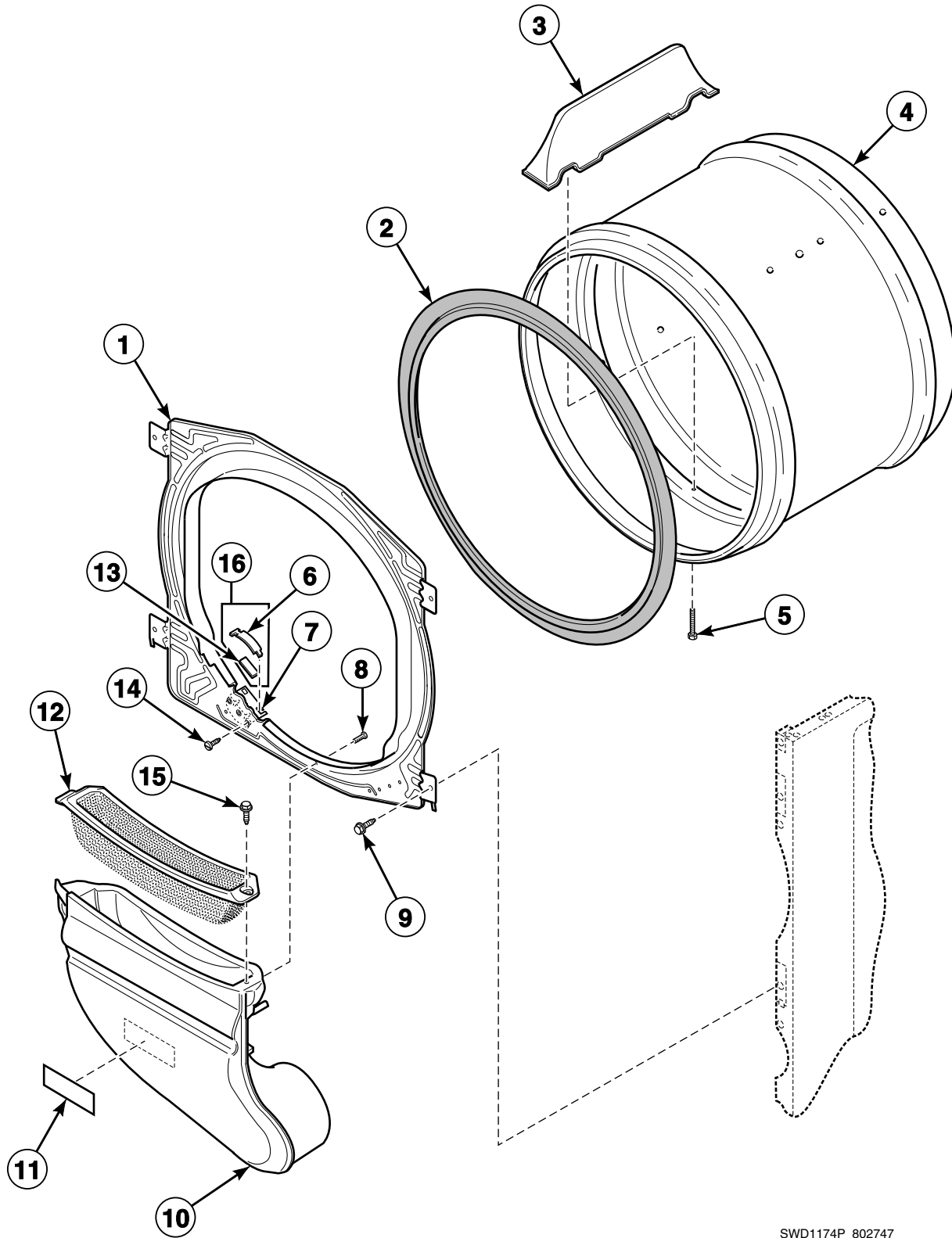
SWD1175PA\_802747

# Thermistor and Thermostat

REF	PART NO.	DESCRIPTION	COMMENTS
1	23222	Screw	
2	D502366	Thermistor Assembly	Models BTEBLFSP431AW01, BTEBLFSP432AW01, BTEBXFSP432AW01, BTEL75*N4065, BTEL77*N4065, BTEX75*N4065, BTEX77*N4065, BTEX77*N4350, BTGBLFSP301AW01, BTGBLFSP302AW01, BTGBXFSP302AW01, BTGX79*N3060, NTEBXFSP302NW01, NTEBXFSP302NW22, NTEL77*N4064, NTEX77*N3000, NTEX77*N4064, NTEX77*N4067, NTEX77*N5400, NTGBXFSP302NW01, NTGL79*N4067, NTGX79*N3000, NTGX79*N4067, STEA77*N3069, STEBXFSP301NW22, STEBXFSP302NW01, STEBXFSP302NW22, STEBXFSP432AW01, STEBXFSP542NW01, STEF77*N4350, STEX77*N3000, STEX77*N4064, STEX77*N4350, STEX77*N4351, STEX77*N5400, STEX77*N5754, STEY77*N4064, STEY77*N5754, STGBXFSP301NW22, STGBXFSP302AW01, STGBXFSP302NW01, STGBXFSP302NW22, STGX79*N3000, STGX79*N3060 and STGX79*N3061
	D510523	Thermistor Assembly	All other models
3	M411941	Manual Reset Thermostat	Models BTGBLFSP301AW01, BTGBLFSP302AW01, BTGBXFSP302AW01, BTGX79*N3060, STGBXFSP302AW01, STGX79*N3060 and STGX79*N3061
	D510703	Thermostat	Manual reset; Models HTGBXFSP542DW01 and STGBXFSP542DW01

\* Add Letter To Designate Color. Q - Bisque W - White

# Front Bulkhead, Air Duct, Felt Seal and Cylinder

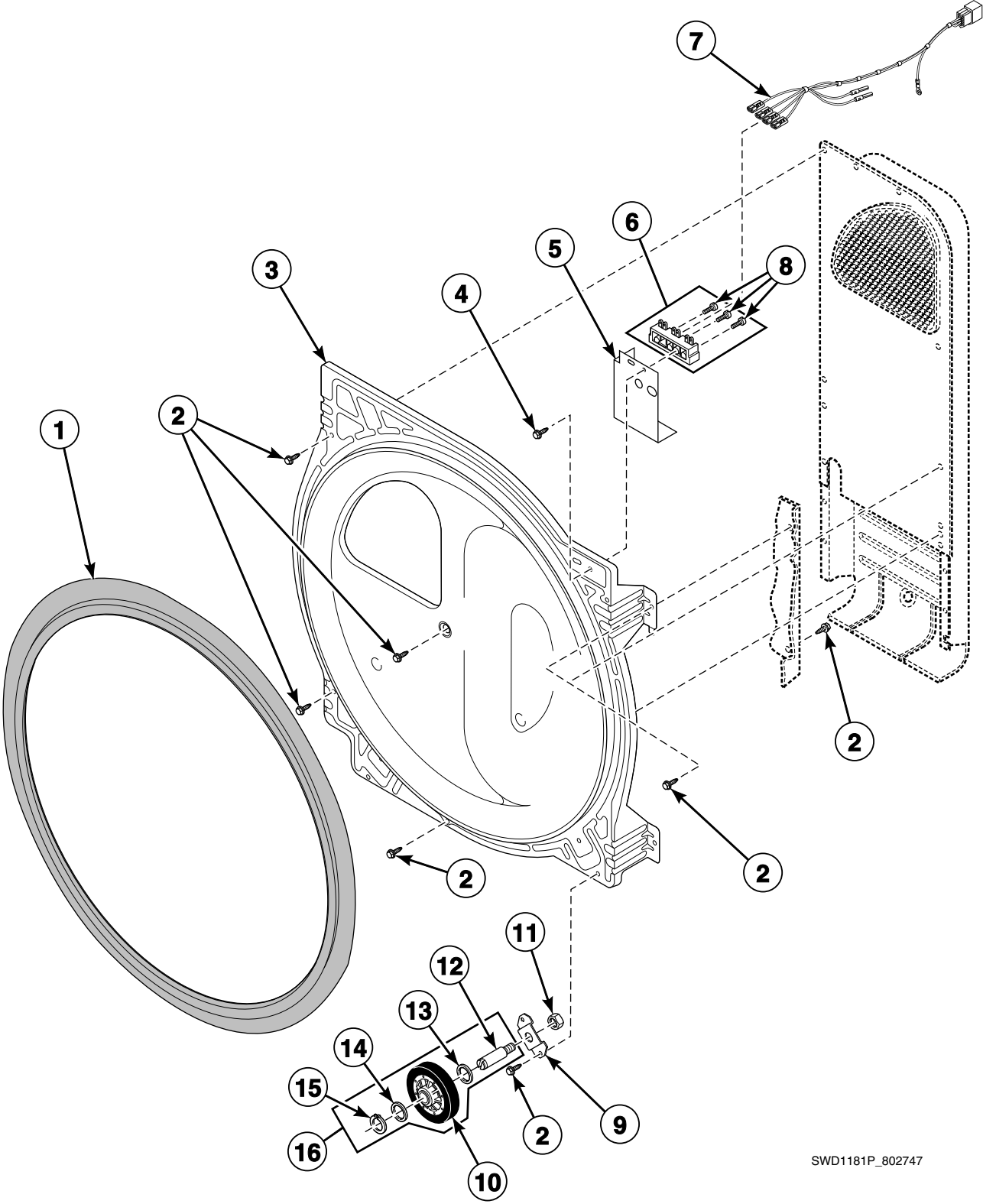


SWD1174P\_802747

## Front Bulkhead, Air Duct, Felt Seal and Cylinder

REF	PART NO.	DESCRIPTION	COMMENTS
1	D510266P	Front Bulkhead Assembly	Unpainted; Includes item 2
2	D510207P	Cylinder Seal Assembly	
	D511637P	Adhesive	For cylinder seal
	RB170001	Seal Kit	Includes 2 cylinder seals, D510238P Blower Housing Seal and D511637P Adhesive
3	D510102W	Cylinder Baffle	Models BTEBCFSP172TW01, BTEBEFSP282CW01, HTEBCFSP172TW01, HTEBDFSP282CW01, HTEBXFSP172FW28, HTEBXFSP282CW01, HTEBXFSP292CW01, HTEBYFSP282CW01, STEBCFSP172TQ01, STEBCFSP172TW01, STEBXFSP172TQ01, STEBXFSP172TW01 and STEBYFSP172TW01 through Serial No. 1303025314; All other models
	D510102LG	Cylinder Baffle	Models BTEBCFSP172TW01, BTEBEFSP282CW01, HTEBCFSP172TW01, HTEBDFSP282CW01, HTEBXFSP172FW28, HTEBXFSP282CW01, HTEBXFSP292CW01, HTEBYFSP282CW01, STEBCFSP172TQ01, STEBCFSP172TW01, STEBXFSP172TQ01, STEBXFSP172TW01 and STEBYFSP172TW01 starting Serial No. 1303025315
4	D510265WP	Cylinder Assembly	Galvanized; Includes item 3; Models BTEBCFSP172TW01, BTEBEFSP282CW01, HTEBCFSP172TW01, HTEBDFSP282CW01, HTEBXFSP172FW28, HTEBXFSP282CW01, HTEBXFSP292CW01, HTEBYFSP282CW01, STEBCFSP172TQ01, STEBCFSP172TW01, STEBXFSP172TQ01, STEBXFSP172TW01 and STEBYFSP172TW01 through Serial No. 1303025314; All other models
	D510265LGP	Cylinder Assembly	Galvanized; Includes item 3; Models BTEBCFSP172TW01, BTEBEFSP282CW01, HTEBCFSP172TW01, HTEBDFSP282CW01, HTEBXFSP172FW28, HTEBXFSP282CW01, HTEBXFSP292CW01, HTEBYFSP282CW01, STEBCFSP172TQ01, STEBCFSP172TW01, STEBXFSP172TQ01, STEBXFSP172TW01 and STEBYFSP172TW01 starting Serial No. 1303025315
5	62588	Screw	
6	D513710	Cylinder Glide	
7	D510145	Cylinder Glide Bracket	
8	52864	Screw	
9	D503688	Screw	
10	D518432	Air Duct Assembly	Models BTEBCFSP172TW01, BTEBEFSP282CW01, HTEBCFSP172TW01, HTEBDFSP282CW01, HTEBXFSP172FW28, HTEBXFSP282CW01, HTEBXFSP292CW01, HTEBYFSP282CW01, STEBCFSP172TQ01, STEBCFSP172TW01, STEBXFSP172TQ01, STEBXFSP172TW01 and STEBYFSP172TW01 through Serial No. 1303025314; All other models
	D518433	Air Duct Assembly	Models BTEBCFSP172TW01, BTEBEFSP282CW01, HTEBCFSP172TW01, HTEBDFSP282CW01, HTEBXFSP172FW28, HTEBXFSP282CW01, HTEBXFSP292CW01, HTEBYFSP282CW01, STEBCFSP172TQ01, STEBCFSP172TW01, STEBXFSP172TQ01, STEBXFSP172TW01 and STEBYFSP172TW01 starting Serial No. 1303025315
11	61294	Fuse Notice Label	Electric models
12	D503980W	Lint Filter	Models BTEBCFSP172TW01, BTEBEFSP282CW01, HTEBCFSP172TW01, HTEBDFSP282CW01, HTEBXFSP172FW28, HTEBXFSP282CW01, HTEBXFSP292CW01, HTEBYFSP282CW01, STEBCFSP172TQ01, STEBCFSP172TW01, STEBXFSP172TQ01, STEBXFSP172TW01 and STEBYFSP172TW01 through Serial No. 1303025314; All other models
	D503980LG	Lint Filter	Models BTEBCFSP172TW01, BTEBEFSP282CW01, HTEBCFSP172TW01, HTEBDFSP282CW01, HTEBXFSP172FW28, HTEBXFSP282CW01, HTEBXFSP292CW01, HTEBYFSP282CW01, STEBCFSP172TQ01, STEBCFSP172TW01, STEBXFSP172TQ01, STEBXFSP172TW01 and STEBYFSP172TW01 starting Serial No. 1303025315
13	D510189	Felt Pad	
14	D505295	Screw	
15	D501285	Screw	
16	RB170003	Glide Kit	Includes items 6 and 13

# Rear Bulkhead, Felt Seal, Cylinder Roller and Terminal Block



SWD1181P\_802747

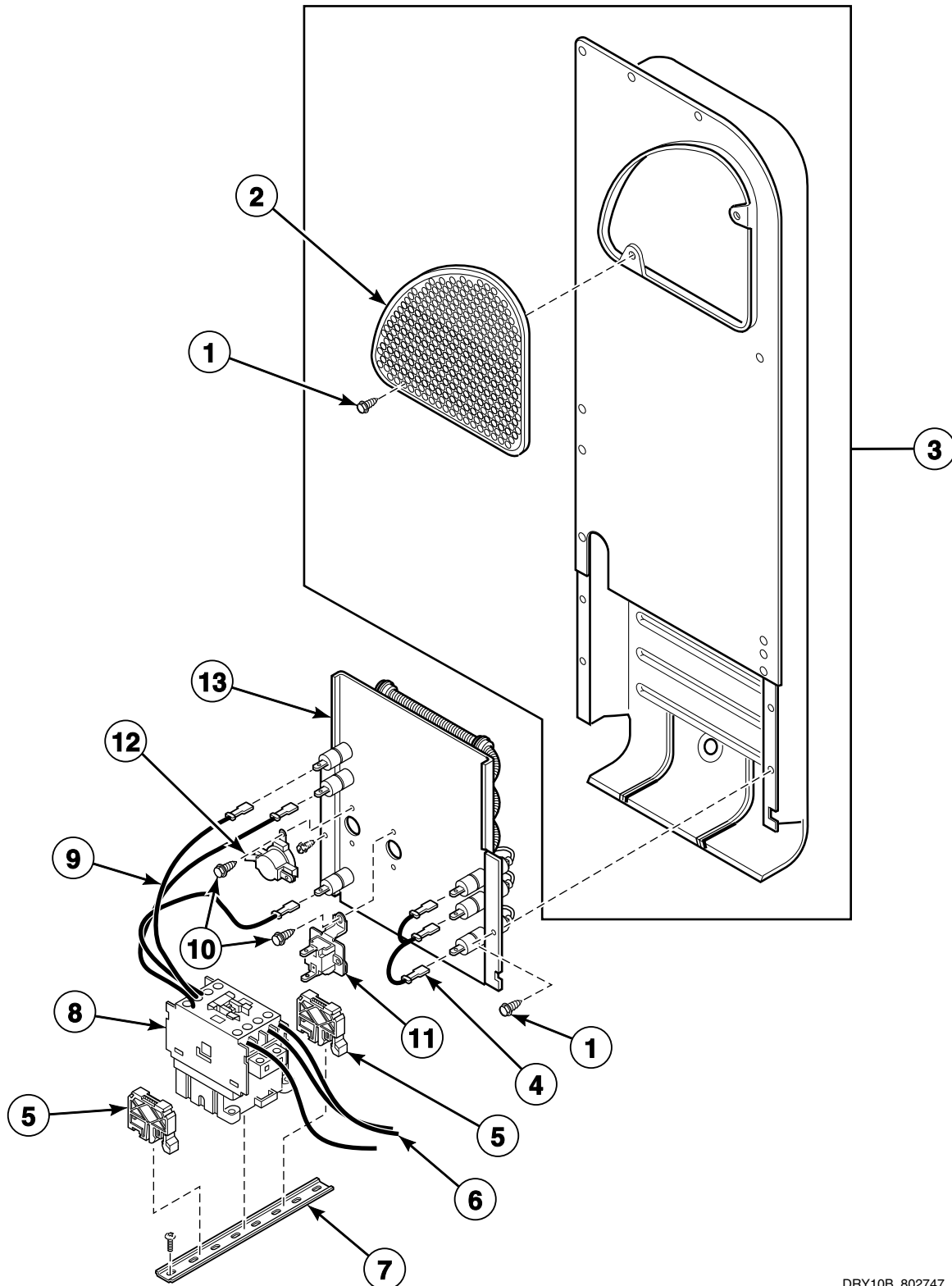
# Rear Bulkhead, Felt Seal, Cylinder Roller and Terminal Block

REF	PART NO.	DESCRIPTION	COMMENTS
1	D510207P	Cylinder Seal Assembly	
	D511637P	Adhesive	For cylinder seal
	RB170001	Seal Kit	Includes 2 cylinder seals, D510238P Blower Housing Seal and 511637P Adhesive
2	D503688	Screw	
3	D511082P	Rear Bulkhead Assembly	Galvanized; Includes item 1
4	D501285	Screw	Electric models
5	D505875	Terminal Block Support Bracket	Models BTEL75*N4065, BTEL77*N4065, BTEX75*N4065, BTEX77*N4065, NTEL77*N4064, NTEX77*N4064, STEX77*N4064 and STEY77*N4064
	D510237	Terminal Block Shield	All other electric models
6	D505876	Terminal Block Assembly	Models BTEL75*N4065, BTEL77*N4065, BTEX75*N4065, BTEX77*N4065, NTEL77*N4064, NTEX77*N4064, STEX77*N4064 and STEY77*N4064
	D510190P	Terminal Block Assembly	Includes (3) of item 8; Models BTEBCFSP171TW01, BTEBCFSP172TW01, BTEBEFSP171TW01, BTEBEFSP281CW01, BTEBEFSP282CW01, BTEBLFSP431AW01, BTEBLFSP432AW01, BTEBXFSP432AW01, BTEBYFSP172TW01, BTEX77*N4350, BTGBEFSP091CW01, BTGBLFSP301AW01, BTGBLFSP302AW01, BTGBXFSP302AW01, BTGX79*N3060, HTEB77*N2802, HTEBCFSP172TW01, HTEBDFSP282CW01, HTEBXFSP132DW01, HTEBXFSP172FW28, HTEBXFSP282CW01, HTEBXFSP292CW01, HTEBXFSP542DW01, HTEBYFSP282CW01, HTET77*N, HTET77*N2802, HTEX77*N2802, HTEX77*N2902, HTEY77*N, HTEY77*N2802, HTGB79*N0902, HTGBDFSP092CW01, HTGBXFSP542DW01, HTGBYFSP092CW01, HTGT79*N0902, HTGX79*N0902, HTGY79*N0902, NTEBXFSP302NW01, NTEBXFSP302NW22, NTEX77*N3000, NTEX77*N4067, NTEX77*N5400, NTGBXFSP302NW01, NTGL79*N4067, NTGX79*N3000, NTGX79*N4067, STEA77*N, STEB77*N, STEBCFSP172TQ01, STEBCFSP172TW01, STEBXFSP132DW01, STEBXFSP172TQ01, STEBXFSP172TW01, STEBXFSP301NW22, STEBXFSP302NW01, STEBXFSP302NW22, STEBXFSP432AW01, STEBXFSP542DW01, STEBXFSP542NW01, STEBYFSP172TW01, STEF77*N, STEF77*N4350, STET77*N, STEX77*N, STEX77*N3000, STEX77*N4350, STEX77*N4351, STEX77*N5400, STEY77*N5754, STEY77*N, STEY77*N5754, STGBXFSP301NW22, STGBXFSP302AW01, STGBXFSP302NW01, STGBXFSP302NW22, STGBXFSP542DW01, STGX79*N3000, STGX79*N3060 and STGX79*N3061
7	D510622	Wire Harness Assembly	Power to washer; Models HTEB77*N2802, HTEBDFSP282CW01, HTEBXFSP282CW01, HTEBXFSP292CW01, HTEBYFSP282CW01, HTET77*N2802, HTEX77*N2802, HTEX77*N2902 and HTEY77*N2802; Models through Serial Nos. beginning 0904
	D510621P	Wire Harness Assembly	Power to washer; Models HTGB79*N0902, HTGBDFSP092CW01, HTGBYFSP092CW01, HTGT79*N0902, HTGX79*N0902 and HTGY79*N0902; Models through Serial Nos. beginning 0904
	803150P	Power Harness Assembly	Power to washer; Models BTEBEFSP281CW01, BTEBEFSP282CW01, BTGBEFSP091CW01, HTEBDFSP282CW01, HTEBXFSP282CW01, HTEBXFSP292CW01, HTEBYFSP282CW01, HTET77*N2802, HTEX77*N2802, HTEX77*N2902, HTEY77*N2802, HTGBDFSP092CW01, HTGBYFSP092CW01, HTGT79*N0902, HTGX79*N0902 and HTGY79*N0902; Models starting Serial Nos. beginning 0904
8	61199	Screw	
9	D510100	Cylinder Roller Bracket	
10	D510708P	Cylinder Roller	
11	56156	Nut	
12	56461P	Shaft	
13	D504082	Washer	
14	52549	Washer	
15	23748	Retaining Ring	
16	RB170002	Roller Kit	Includes items 10 and 12-15

\* Add Letter To Designate Color. Q - Bisque W - White

# Heater Duct and Element Assembly (Drawing 1 of 2)

Models BTEL75\*N4065, BTEL77\*N4065, BTEX75\*N4065, BTEX77\*N4065, NTEL77\*N4064,  
NTEX77\*N4064, STEX77\*N4064 and STEY77\*N4064



DRY10B\_802747



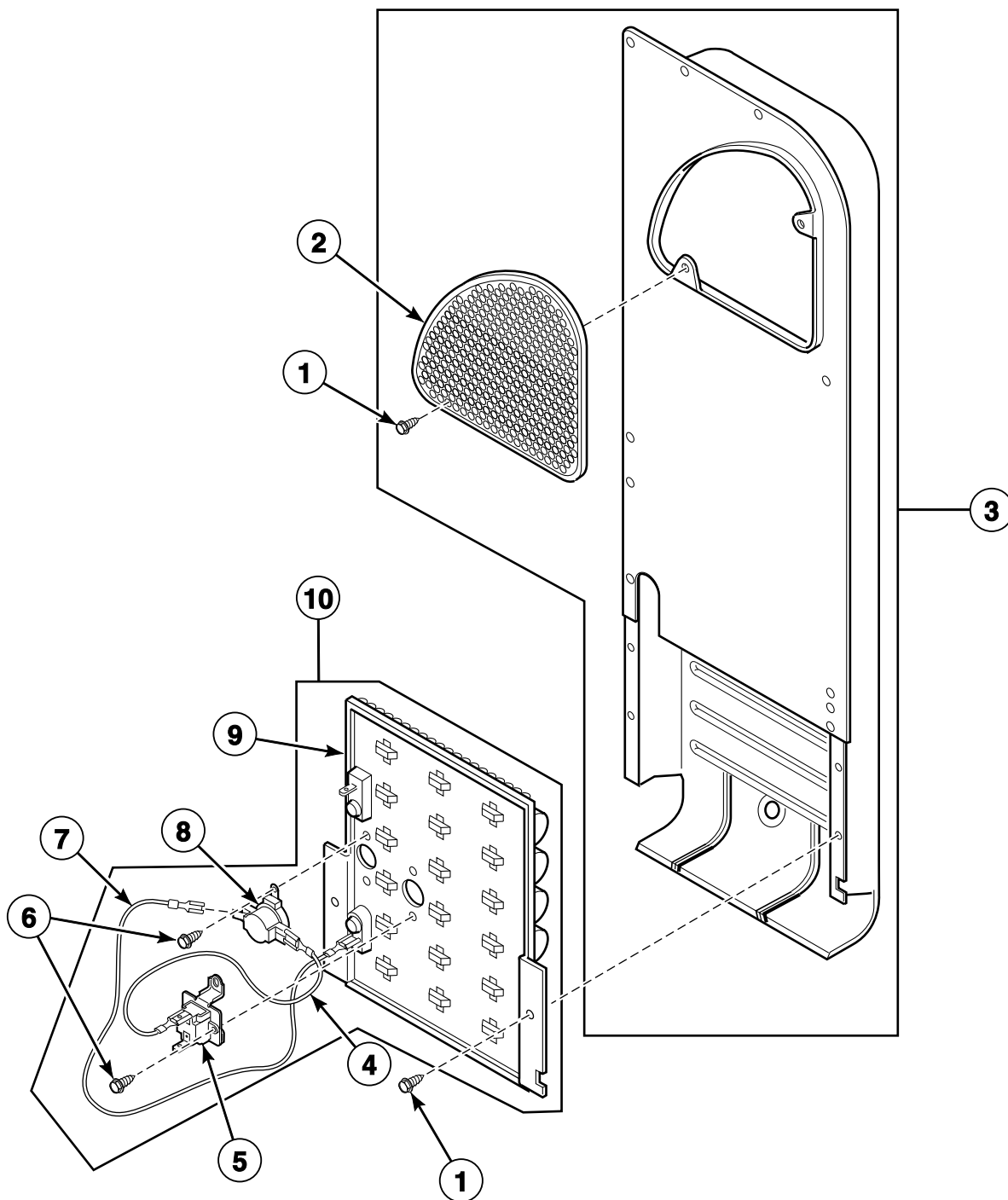
## Heater Duct and Element Assembly (Drawing 1 of 2)

REF	PART NO.	DESCRIPTION	COMMENTS
	756P3	Conversion Kit	400 Volt, 4 wire WYE to 240 Volt, 3 wire Delta
	490P3	Thermal Fuse Kit	Includes items 10-12
<b>1</b>	D503688	Screw	
<b>2</b>	D500820	Outlet Cover	
<b>3</b>	D510705P	Heater Duct Assembly	Includes items 1 and 2
<b>4</b>	D518529	Jumper Wire Assembly	3 Phase
<b>5</b>	70121001	End Stop	
<b>6</b>	D511112P	Block to Relay Harness	Terminal block to contactor
<b>7</b>	M412693	Din Rail	
<b>8</b>	F330177P	Contactor	
<b>9</b>	D511114P	Relay to Heater Harness	Contactor to heater
<b>10</b>	23222	Screw	
<b>11</b>	D518649	Thermal Fuse Assembly	
<b>12</b>	D510701	Limit Thermostat	
<b>13</b>	D511014P	Heater	400 Volt/3 Phase

\* Add Letter To Designate Color. Q - Bisque W - White

# Heater Duct and Element Assembly (Drawing 2 of 2)

All Electric Model Dryers Except BTEL75\*N4065, BTEL77\*N4065, BTEX75\*N4065, BTEX77\*N4065, NTEL77\*N4064, NTEX77\*N4064, STEX77\*N4064 and STEY77\*N4064



DRY1789P\_802747

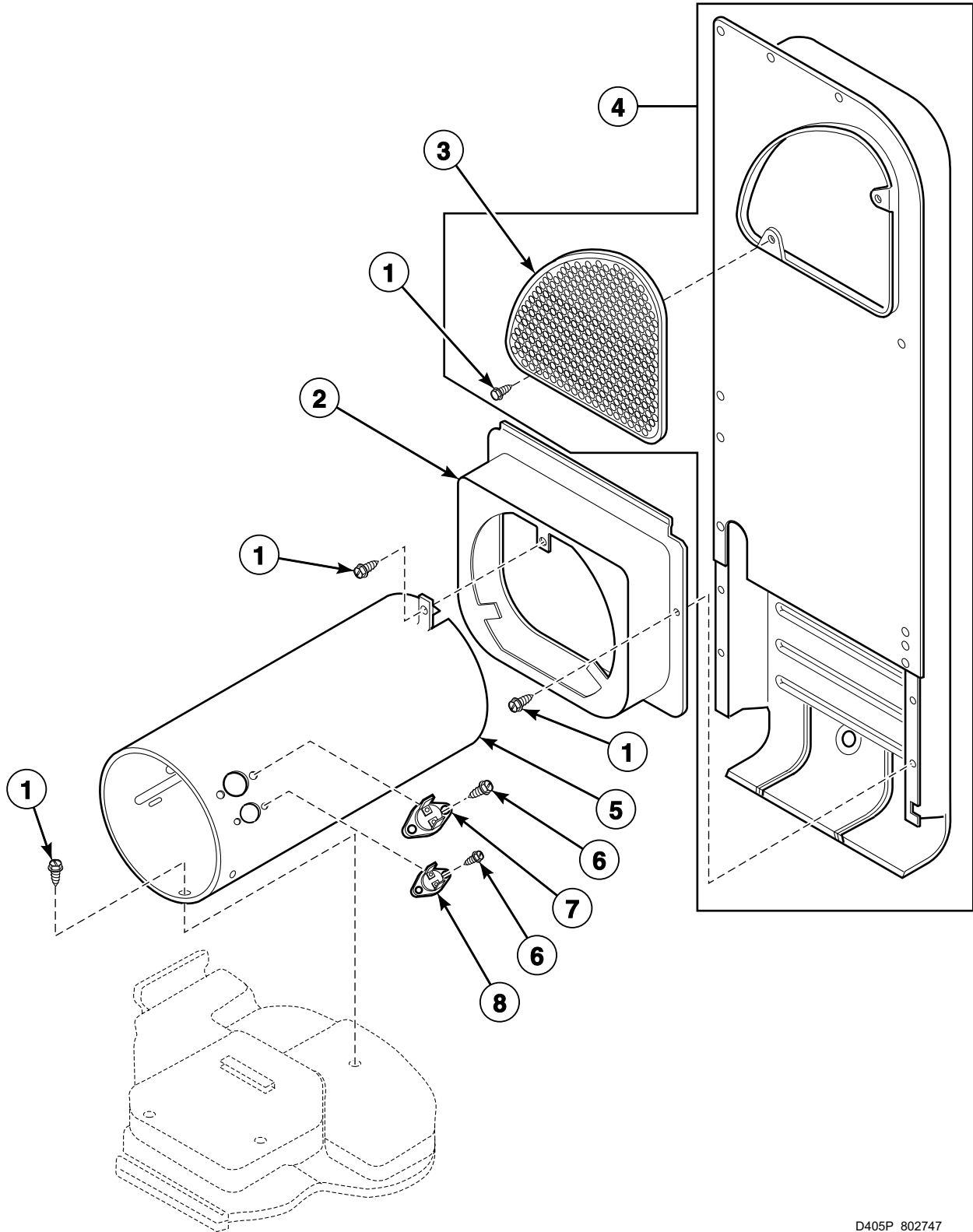
## Heater Duct and Element Assembly (Drawing 2 of 2)

REF	PART NO.	DESCRIPTION	COMMENTS
	490P3	Thermal Fuse Kit	Includes items 5, 6 and 8
1	D503688	Screw	
2	D500820	Outlet Cover	
3	D510705P	Heater Duct Assembly	Includes item 2
4	D518256	Wire Assembly	Orange; Thermostat jumper
5	D518649	Thermal Fuse Assembly	
6	23222	Screw	
7	D518255	Wire Assembly	Black; Fuse jumper
8	D510701	Limit Thermostat	
9	D510326P	Heater Assembly	Models NTEBXFSP302NW01, NTEBXFSP302NW22, NTEX77*N3000, NTEX77*N4067, STEA77*N3069, STEBXFSP301NW22, STEBXFSP302NW01, STEBXFSP302NW22 and STEX77*N3000; 4800 Watt; 240 Volt/50 Hertz
	D510324P	Heater Assembly	Models BTEBEFSP281CW01, BTEBEFSP282CW01, HTEB77*N2802, HTEBDFSP282CW01, HTEBXFSP282CW01, HTEBYFSP282CW01, HTET77*N2802, HTEX77*N2802, HTEY77*N2802, NTEX77*N5400, STEBXFSP542NW01, STEX77*N5400, STEX77*N5754 and STEY77*N5754; 5000 Watt; 240 Volt/60 Hertz
	D510327P	Heater Assembly	Models BTEBLFSP431AW01, BTEBLFSP432AW01, BTEBXFSP432AW01, BTEX77*N4350, STEBXFSP432AW01, STEF77*N4350, STEX77*N4350 and STEX77*N4351; 4000 Watt; 240 Volt/50 Hertz
	D510330P	Heater Assembly	Models HTEBXFSP292CW01 and HTEX77*N2902; 4250 Watt; 208 Volt/60 Hertz
	D510329P	Heater Assembly	Models BTEBCFSP171TW01, BTEBCFSP172TW01, BTEBEFSP171TW01, BTEBXFSP172FW01, BTEX77*N1727, HTEBCFSP172TW01, HTEBXFSP132DW01, HTEBXFSP172FW28, HTEBXFSP542DW01, HTET77*N, HTEY77*N, STEA77*N, STEB77*N, STEBCFSP172TQ01, STEBCFSP172TW01, STEBXFSP132DW01, STEBXFSP172TQ01, STEBXFSP172TW01, STEBXFSP542DW01, STEBYFSP172TW01, STEF77*N, STET77*N, STEX77*N, STEX77*N2827 and STEY77*N; 5350 Watt; 240 Volt/60 Hertz
10	61928	Heater Kit Assembly	Includes items 4-9; Models BTEBCFSP171TW01, BTEBCFSP172TW01, BTEBEFSP171TW01, BTEBXFSP172FW01, BTEX77*N1727, HTEBCFSP172TW01, HTEBXFSP172FW28, HTET77*N, HTEY77*N, STEA77*N, STEB77*N, STEBCFSP172TQ01, STEBCFSP172TW01, STEBXFSP172TQ01, STEBXFSP172TW01, STEBYFSP172TW01, STEF77*N, STET77*N, STEX77*N, STEX77*N2827 and STEY77*N; 4750 Watt; 208 Volt/60 Hertz
	61929	Heater Kit Assembly	Includes items 4-9; Models HTEBXFSP132DW01, NTEBXFSP302NW01, NTEBXFSP302NW22, NTEX77*N3000, NTEX77*N4067, STEA77*N3069, STEBXFSP132DW01, STEBXFSP301NW22, STEBXFSP302NW01, STEBXFSP302NW22 and STEX77*N3000; 4800 Watt; 240 Volt/50 Hertz
	61927	Heater Kit Assembly	Includes items 4-9; Models BTEBEFSP281CW01, BTEBEFSP282CW01, HTEB77*N2802, HTEBDFSP282CW01, HTEBXFSP282CW01, HTEBXFSP542DW01, HTEBYFSP282CW01, HTET77*N2802, HTEX77*N2802, HTEY77*N2802, NTEX77*N5400, STEBXFSP542DW01, STEBXFSP542NW01, STEX77*N5400, STEX77*N5754 and STEY77*N5754; 5000 Watt; 240 Volt/60 Hertz
	61930	Heater Kit Assembly	Includes items 4-9; Models BTEBLFSP431AW01, BTEBLFSP432AW01, BTEBXFSP432AW01, BTEX77*N4350, STEBXFSP432AW01, STEF77*N4350, STEX77*N4350 and STEX77*N4351; 4000 Watt; 240 Volt/50 Hertz
	965P3	Heater Kit	Includes items 4-9; Models HTEBXFSP292CW01 and HTEX77*N2902; 4250 Watt; 208 Volt/60 Hertz
	964P3	Heater Kit	Includes items 4-9; Models BTEBCFSP171TW01, BTEBCFSP172TW01, BTEBEFSP171TW01, BTEBXFSP172FW01, BTEX77*N1727, HTEBCFSP172TW01, HTEBXFSP172FW28, HTET77*N, HTEY77*N, STEA77*N, STEB77*N, STEBCFSP172TQ01, STEBCFSP172TW01, STEBXFSP172TQ01, STEBXFSP172TW01, STEBYFSP172TW01, STEF77*N, STET77*N, STEX77*N, STEX77*N2827 and STEY77*N; 5350 Watt; 240 Volt/60 Hertz

\* Add Letter To Designate Color. Q - Bisque W - White

# Heater Duct Assembly

Gas Model Dryers



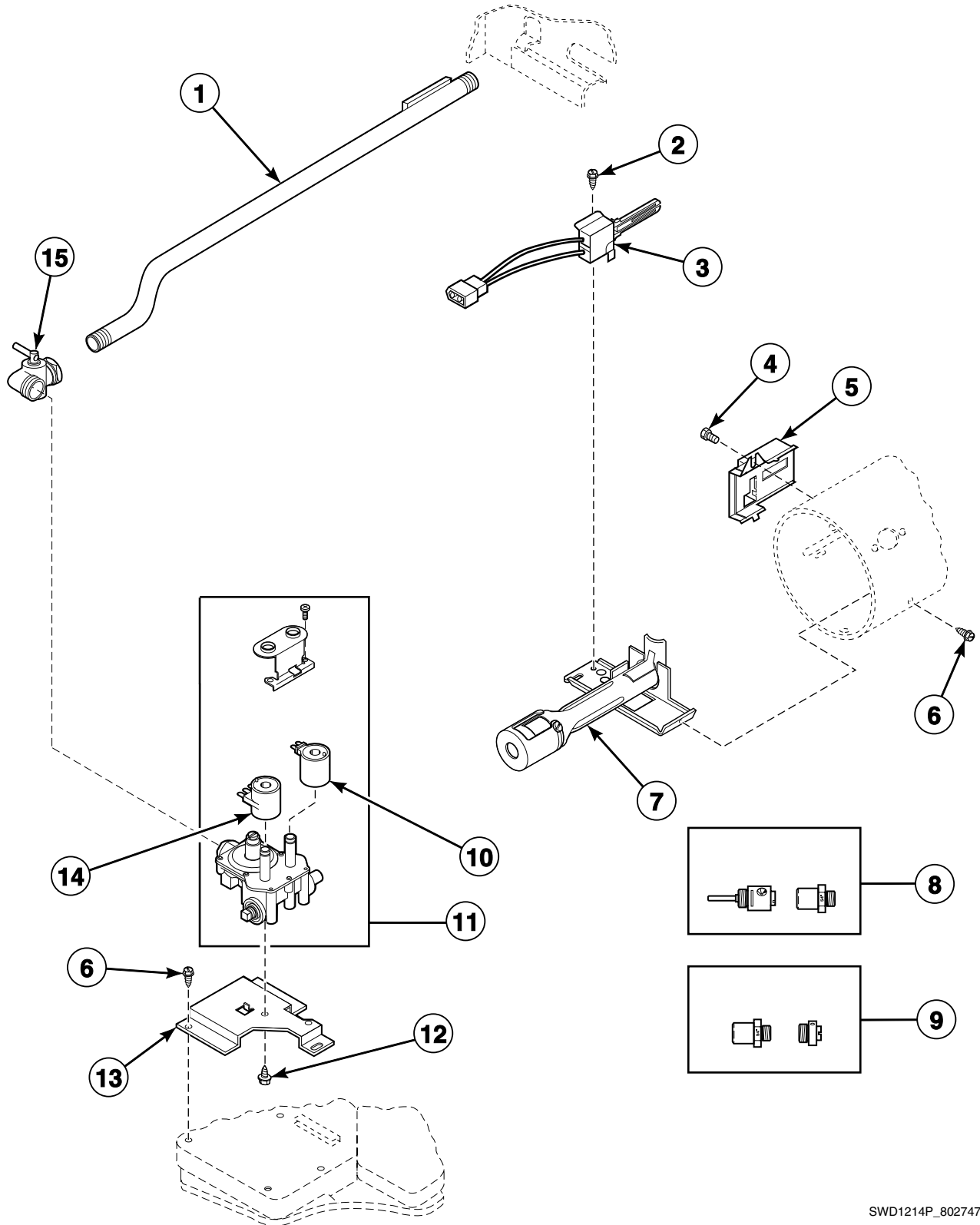
D405P\_802747

# Heater Duct Assembly

REF	PART NO.	DESCRIPTION	COMMENTS
1	D503688	Screw	
2	D510101	Heat Duct Shroud	
3	D500820	Outlet Cover	
4	D510705P	Heater Duct Assembly	Includes items 1 and 3
5	D510131	Combustion Duct	
6	51782	Screw	
7	D510703	Thermostat	Manual reset
8	D510702	Limit Thermostat	Color code "black"

# Gas Valve, Igniter and Gas Conversion Kits

Gas Model Dryers



SWD1214P\_802747

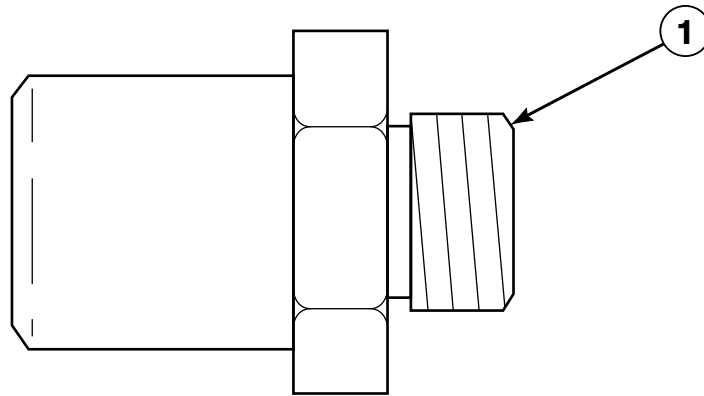
## Gas Valve, Igniter and Gas Conversion Kits

REF	PART NO.	DESCRIPTION	COMMENTS
1	D510204	Lead-In Pipe Assembly	
2	51782	Screw	
3	D510184P	Igniter and Bracket Assembly	North American models through 8/31/21; International models
	D518679	Igniter and Bracket Assembly	North American models starting 9/1/21
4	23222	Screw	
5	D510213	Sensor	
6	D503688	Screw	
7	D510149P	Burner Assembly	
8	600P3	L.P. Conversion Kit	Models NTGL79*N4067 and NTGX79*N4067; Used to convert dryer from Natural Gas (N.G.) or Mixed Gas to Liquid Petroleum Gas (L.P.); 25,000 Btu
	458P3	L.P. Conversion Kit	All other models; Used to convert dryers from N.G. or Mixed Gas to L.P.; 25,000 Btu
9	459P3	N.G. Conversion Kit	Used to convert dryers from L.P. to N.G. or Mixed Gas; 25,000 Btu
10	58804B	Secondary Coil	
11	60443P	Valve Assembly	50 Hertz; 25,000 Btu; Models BTGBLFSP301AW01, BTGBLFSP302AW01, BTGBXFSP302AW01, BTGX79*N3060, NTGBXFSP302NW01, NTGL79*N4067, NTGX79*N3000, NTGX79*N4067, STGBXFSP301NW22, STGBXFSP302AW01, STGBXFSP302NW01, STGBXFSP302NW22, STGX79*N3000, STGX79*N3060 and STGX79*N3061
	D510506P	Gas Valve Assembly	Models HTGBXFSP122DW01, HTGBXFSP542DW01, STGBXFSP122DW01 and STGBXFSP542DW01
	60353P	Gas Valve Assembly	60 Hertz; 25,000 Btu; All other models
12	56124	Screw	
13	D510128	Gas Valve Mounting Bracket	
14	58804A	Booster and Holding Coil	
15	D510205	Elbow Shut-Off Valve	

\* Add Letter To Designate Color. Q - Bisque W - White

# Burner Orifice Spuds - For Higher Elevations

Gas Model Dryers



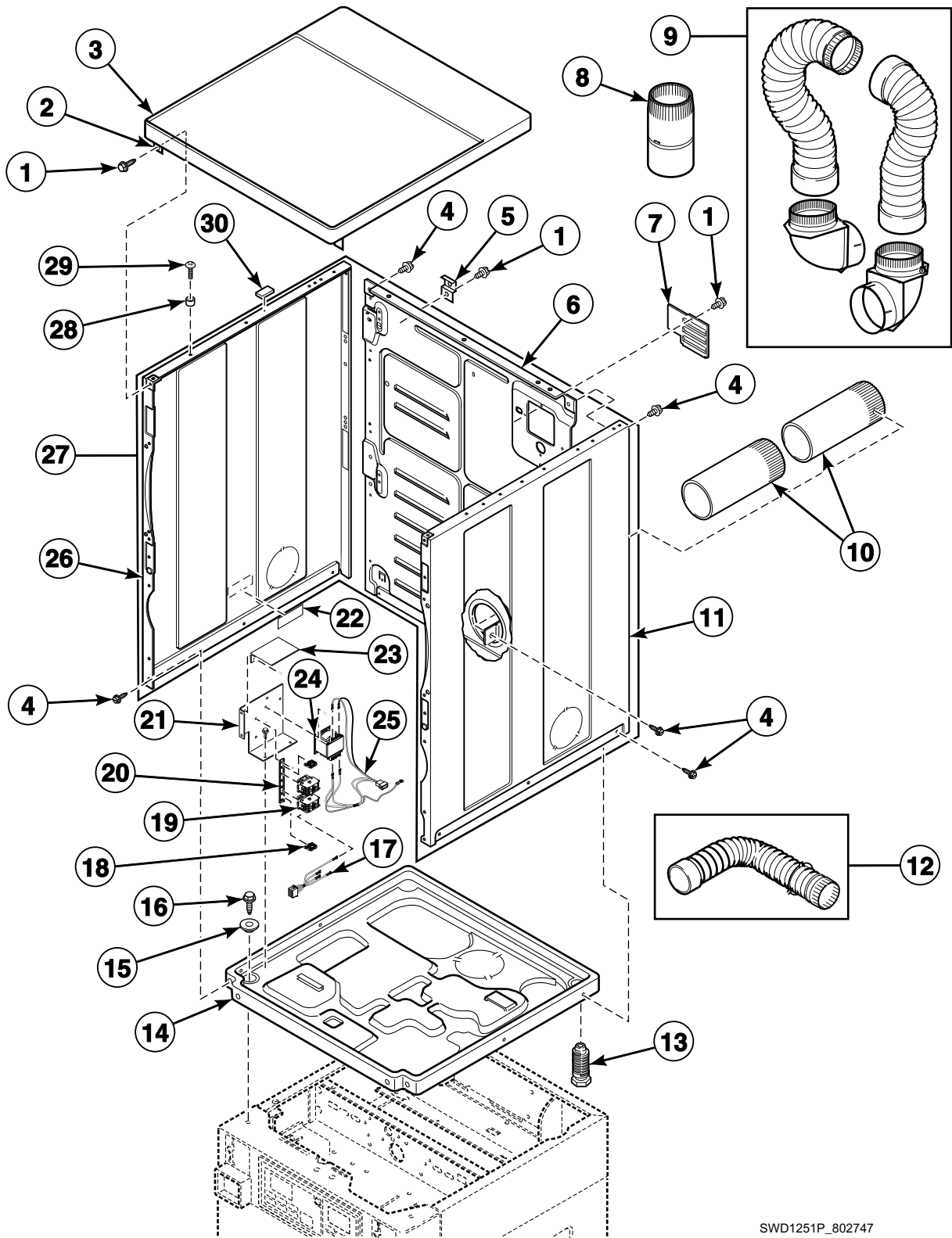
DRY2266P\_802747



## Burner Orifice Spuds - For Higher Elevations

REF	PART NO.	DESCRIPTION	COMMENTS
1	58755	L.P. Orifice	25,000 Btu; 7500-10,999 feet (2290-3354 m)
	D503786	L.P. Orifice	25,000 Btu; 11,000 feet (3355 m) and higher
	58719	Screw Orifice	Natural Gas (N.G.); 25,000 Btu; 7000-8999 feet (2135-2744 m)
	D503776	N.G. Orifice	25,000 Btu; 2000-2999 feet (610-914 m)
	D510517	N.G. Orifice	25,000 Btu; 3000-5499 feet (915-1679 m)
	D503778	N.G. Orifice	25,000 Btu; 5500-6999 feet (1680-2134 m)
	D503779	N.G. Orifice	25,000 Btu; 9000-10,499 feet (2745-3199 m)
	D503780	N.G. Orifice	25,000 Btu; 10,500 feet (3200 m) and higher

# Dryer Cabinet, Exhaust Duct and Base



SWD1251P\_802747

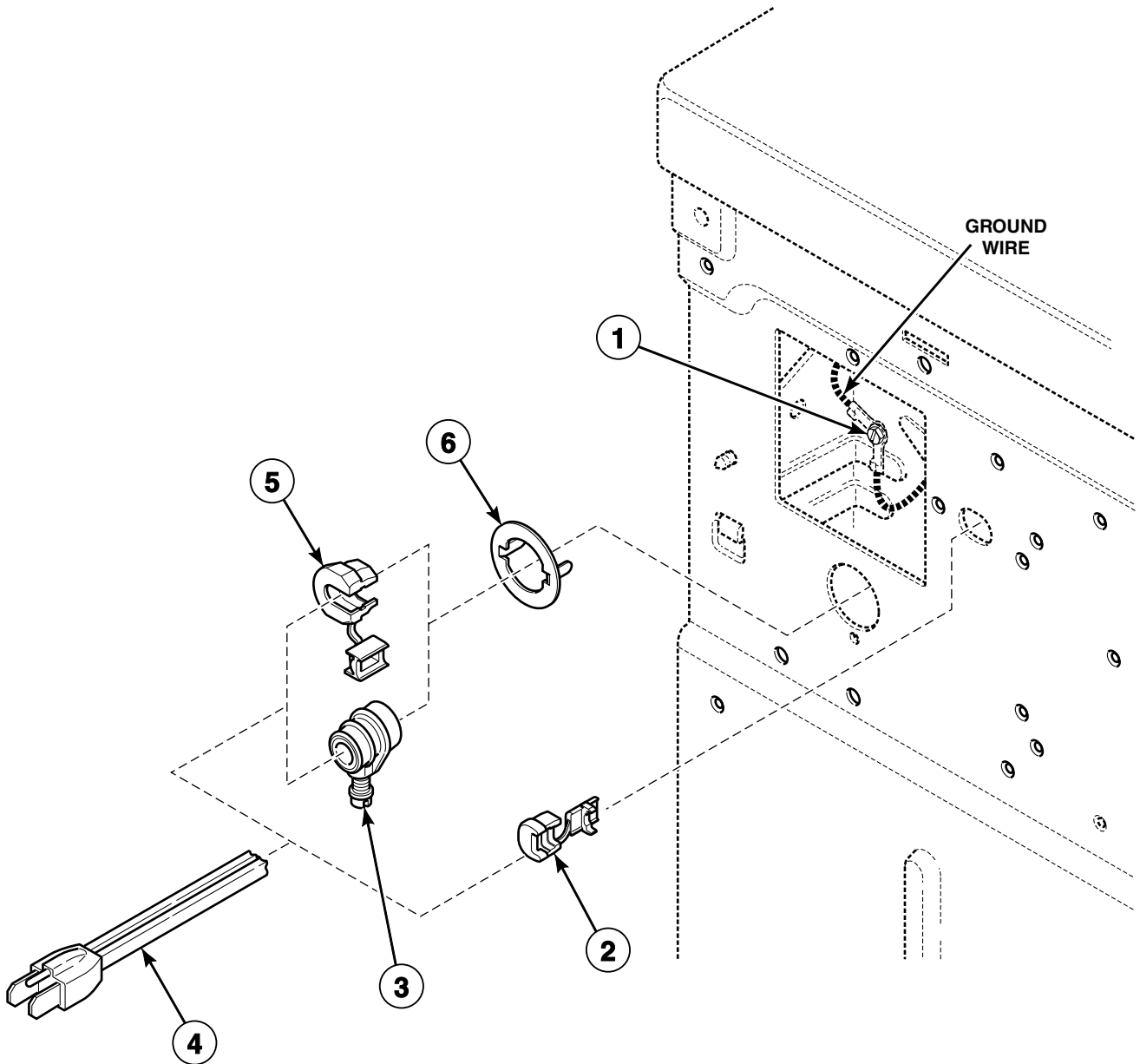
## Dryer Cabinet, Exhaust Duct and Base

REF	PART NO.	DESCRIPTION	COMMENTS
1	D503661	Screw	
2	D510146	Bracket	
3	D510032WP	Top Kit	White
	D510032QP	Top Kit	Bisque
4	D503688	Screw	
5	D510136	Top Hinge	
6	D514632P	Cabinet Rear Panel	
7	D510903	Access Panel Plate	
8	58786	Damper	
9	521P3	Flexible Venting Kit	
10	D516196	Exhaust Duct	Each dryer requires 2 pieces
11	D510002WP	Cabinet Side Panel	White; Right side
	D510002QP	Cabinet Side Panel	Bisque; Right side
12	528P3	Directional Exhaust Kit	Used to vent dryer out the sides
13	D510135	Leveling Leg	
14	D514245	Dryer Base	
15	D501307	Washer	
16	36048	Screw	
17	D511327	Harness Assembly	Models NTGL79*N4067 and NTGX79*N4067
18	70121001	End Stop	Models NTGL79*N4067 and NTGX79*N4067
19	70323701P	Contactora	Models NTGL79*N4067 and NTGX79*N4067
20	M412693	Din Rail	Models NTGL79*N4067 and NTGX79*N4067
21	D511859	Contactora Bracket	Models BTGBLFSP301AW01, BTGBLFSP302AW01, BTGBXFSP302AW01, BTGX79*N3060, HTGBXFSP542DW01, NTGBXFSP302NW01, NTGL79*N4067, NTGX79*N3000, NTGX79*N4067, STGBXFSP301NW22, STGBXFSP302AW01, STGBXFSP302NW01, STGBXFSP302NW22, STGBXFSP542DW01, STGX79*N3000, STGX79*N3060 and STGX79*N3061
22	61294	Fuse Notice Label	Electric models
23	801101	Card Reader Shield	Models NTGL79*N4067 and NTGX79*N4067
24	D511658P	Transformer Kit	Includes item 23; Models BTGBLFSP301AW01, BTGBLFSP302AW01, BTGBXFSP302AW01, BTGX79*N3060, HTGBXFSP542DW01, NTGBXFSP302NW01, NTGL79*N4067, NTGX79*N3000, NTGX79*N4067, STGBXFSP301NW22, STGBXFSP302AW01, STGBXFSP302NW01, STGBXFSP302NW22, STGBXFSP542DW01, STGX79*N3000, STGX79*N3060 and STGX79*N3061
25	D511303	Wire Harness Assembly	Transformer adapter; Includes D502592 Fuse, 3.15 Amp, 250 Volt; Models BTGBLFSP301AW01, BTGBLFSP302AW01, BTGBXFSP302AW01, BTGX79*N3060, HTGBXFSP542DW01, NTGBXFSP302NW01, NTGL79*N4067, NTGX79*N3000, NTGX79*N4067, STGBXFSP301NW22, STGBXFSP302AW01, STGBXFSP302NW01, STGBXFSP302NW22, STGBXFSP542DW01, STGX79*N3000, STGX79*N3060 and STGX79*N3061
26	D510001WP	Cabinet Side Panel	White; Left side
	D510001QP	Cabinet Side Panel	Bisque; Left side
27	727P3W	Panel Kit	White; Includes items 6, 11, 26 and attaching hardware
	727P3Q	Panel Kit	Bisque; Includes items 6, 11, 26 and attaching hardware
28	56079	Panel Locator	
29	39733	Screw	
30	56128	Bumper Pad	

\* Add Letter To Designate Color. Q - Bisque W - White

# Dryer Power Cord

Models BTGBCFSP111TW01, BTGBCFSP112TW01, BTGBEFSP091CW01, BTGBEFSP111TW01, BTGBLFSP301AW01, BTGBLFSP302AW01, BTGBXFSP112FW01, BTGBXFSP302AW01, BTGBYFSP112TW01, BTGX79\*N1127, BTGX79\*N3060, HTGB79\*N0902, HTGBCFSP112TW01, HTGBDFSP092CW01, HTGBXFSP112FW28, HTGBXFSP122DW01, HTGBXFSP542DW01, HTGBYFSP092CW01, HTGBYFSP112TW01, HTGT79\*N, HTGT79\*N0902, HTGX79\*N0902, HTGY79\*N, HTGY79\*N0902, NTEX77\*N4067, NTGL79\*N4067, NTGX79\*N4067, STGA73\*N, STGA79\*N, STGB79\*N, STGBCFSP112TW01, STGBXFSP112TW01, STGBXFSP112TW01, STGBXFSP122DW01, STGBXFSP302AW01, STGBXFSP542DW01, STGBYFSP112TW01, STGF79\*N, STGT79\*N, STGX73\*N, STGX79\*N, STGX79\*N3060, STGX79\*N3061 and STGY79\*N



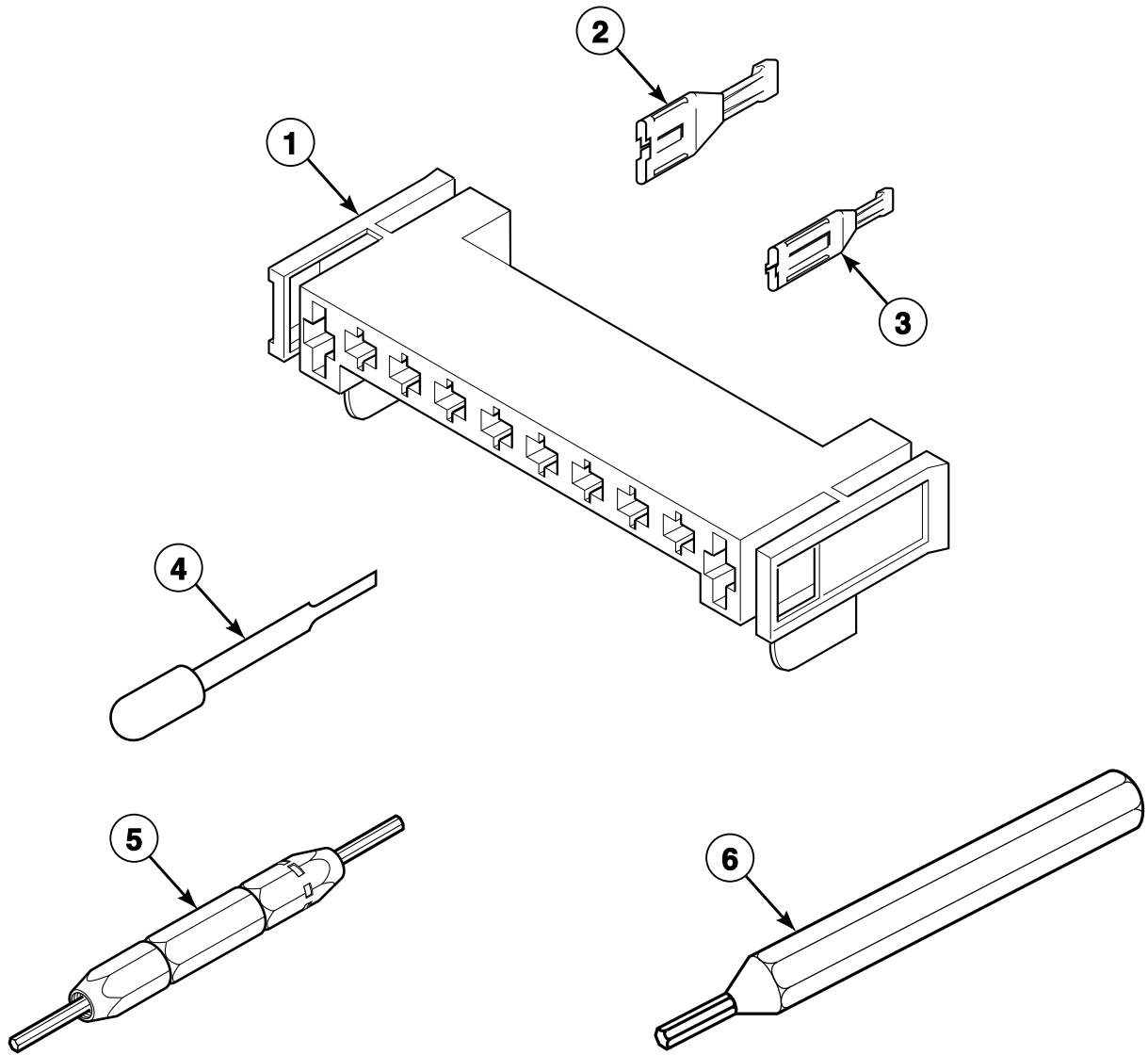
SWD1230P\_802747

# Dryer Power Cord

REF	PART NO.	DESCRIPTION	COMMENTS
1	20530	Screw	
2	38384	Strain Relief	Models BTGBCFSP111TW01, BTGBCFSP112TW01, BTGBEFSP111TW01, BTGBXFSP112FW01, BTGBYFSP112TW01, BTGX79*N1127, HTGBCFSP112TW01, HTGBXFSP112FW28, HTGBXFSP122DW01, HTGBYFSP112TW01, HTGT79*N, HTGY79*N, STGA73*N, STGA79*N, STGB79*N, STGBCFSP112TW01, STGBXFSP112TW01, STGBXFSP122DW01, STGBYFSP112TW01, STGF79*N, STGT79*N, STGX73*N, STGX79*N and STGY79*N
3	D502500	Strain Relief	Models NTGL79*N4067 and NTGX79*N4067
4	D506081	Power Cord Assembly	Models NTGL79*N4067 and NTGX79*N4067
	D516747	Lead-In Cord Assembly	Model NTEX77*N4067
	D516389	Lead-In Cord	Models BTGBLFSP301AW01, BTGBLFSP302AW01, BTGBXFSP302AW01, BTGX79*N3060, STGBXFSP302AW01, STGX79*N3060 and STGX79*N3061
	58992	Power Cord Assembly	Models BTGBEFSP091CW01, HTGB79*N0902, HTGBDFSP092CW01, HTGBYFSP092CW01, HTGT79*N0902, HTGX79*N0902 and HTGY79*N0902
	D514222	Lead-In Cord Assembly	Models HTGBXFSP122DW01 and STGBXFSP122DW01
	D514289	Lead-In Cord Assembly	Models HTGBXFSP542DW01 and STGBXFSP542DW01
	59308	Lead-In Cord	All other models
5	52113	Strain Relief	Model NTEX77*N4067
	52151	Strain Relief	Models BTGBEFSP091CW01, HTGB79*N0902, HTGBDFSP092CW01, HTGBYFSP092CW01, HTGT79*N0902, HTGX79*N0902 and HTGY79*N0902
	60298	Strain Relief	Models BTGBLFSP301AW01, BTGBLFSP302AW01, BTGBXFSP302AW01, BTGX79*N3060, STGBXFSP302AW01, STGX79*N3060 and STGX79*N3061
6	D502496	Strain Relief Adapter	Models BTGBEFSP091CW01, BTGBLFSP301AW01, BTGBLFSP302AW01, BTGBXFSP302AW01, BTGX79*N3060, HTGB79*N0902, HTGBDFSP092CW01, HTGBYFSP092CW01, HTGT79*N0902, HTGX79*N0902, HTGY79*N0902, NTEX77*N4067, NTGL79*N4067, NTGX79*N4067, STGBXFSP302AW01, STGX79*N3060 and STGX79*N3061

\* Add Letter To Designate Color. Q - Bisque W - White

# Dryer Motor Connection Block, Terminal Extractor Tools

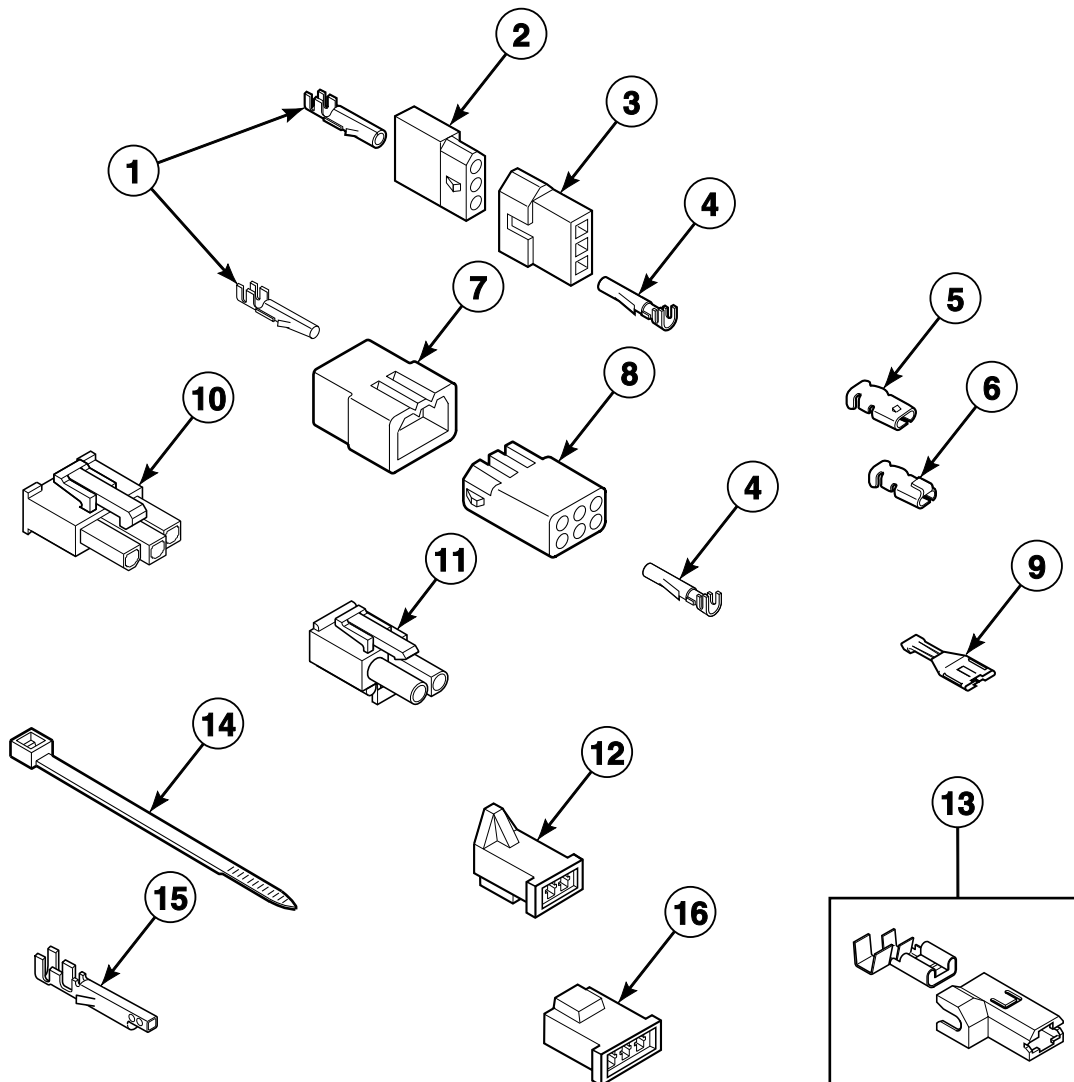


SWD1216P\_802747

## Dryer Motor Connection Block, Terminal Extractor Tools

REF	PART NO.	DESCRIPTION	COMMENTS
1	D500338	10 Position Housing	Molex; 10 circuit
2	00255	Female Terminal	1/4 inch; For (1) 12 gauge wire
	00256	Female Terminal	1/4 inch; For (1) or (2) 18 gauge wires
3	00188	Female Terminal	For 1 or 2 wire applications
4	283P4	Terminal Extractor Tool	For use on Molex connectors
5	190P4	Extractor Tool	For use on electric dryer terminals
6	128P4	Extractor Tool	For use on gas dryer terminals

# Terminals



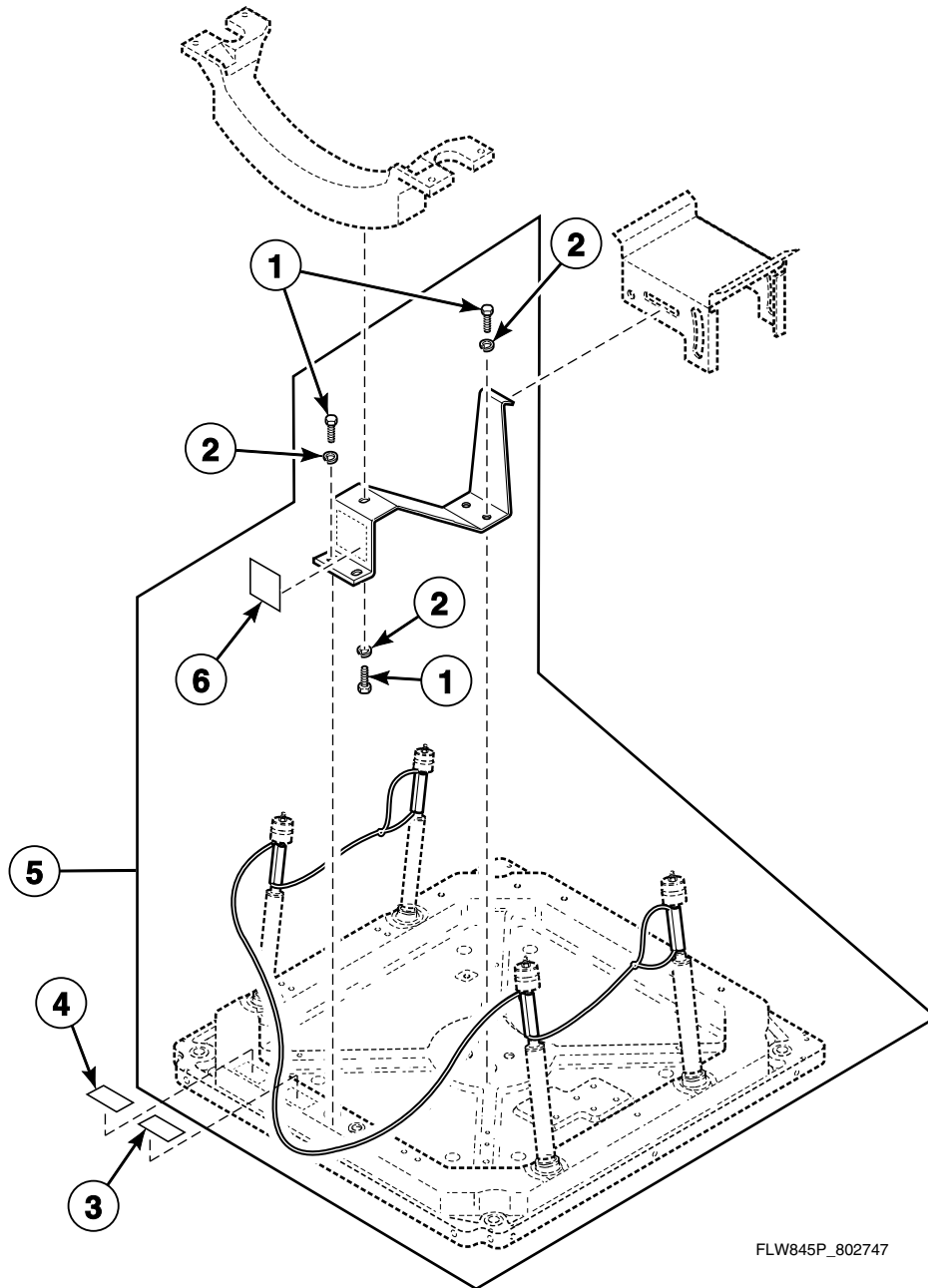
SWD1143P\_802747



# Terminals

REF	PART NO.	DESCRIPTION	COMMENTS
1	00117	Female Pin Terminal	
2	23039	3 Circuit Receptacle	
3	23040	Plug	
4	00116	Male Pin Terminal	
5	00189	Female Spade Terminal	Gas models
6	00361	Female Piggyback Terminal	Gas models
7	23033	9 Circuit Plug	
8	26708	6 Circuit Receptacle	
9	00256	Female Terminal	
10	36170	3 Circuit Receptacle	
11	D501223	2 Circuit Receptacle	
12	58799	2 Circuit Connector	Gas models
13	00221	Insulated Female Flag Terminal	
14	55881	Harness Strap	
15	00252	Terminal	
16	58800	3 Circuit Connector	Gas models

# Shipping Materials



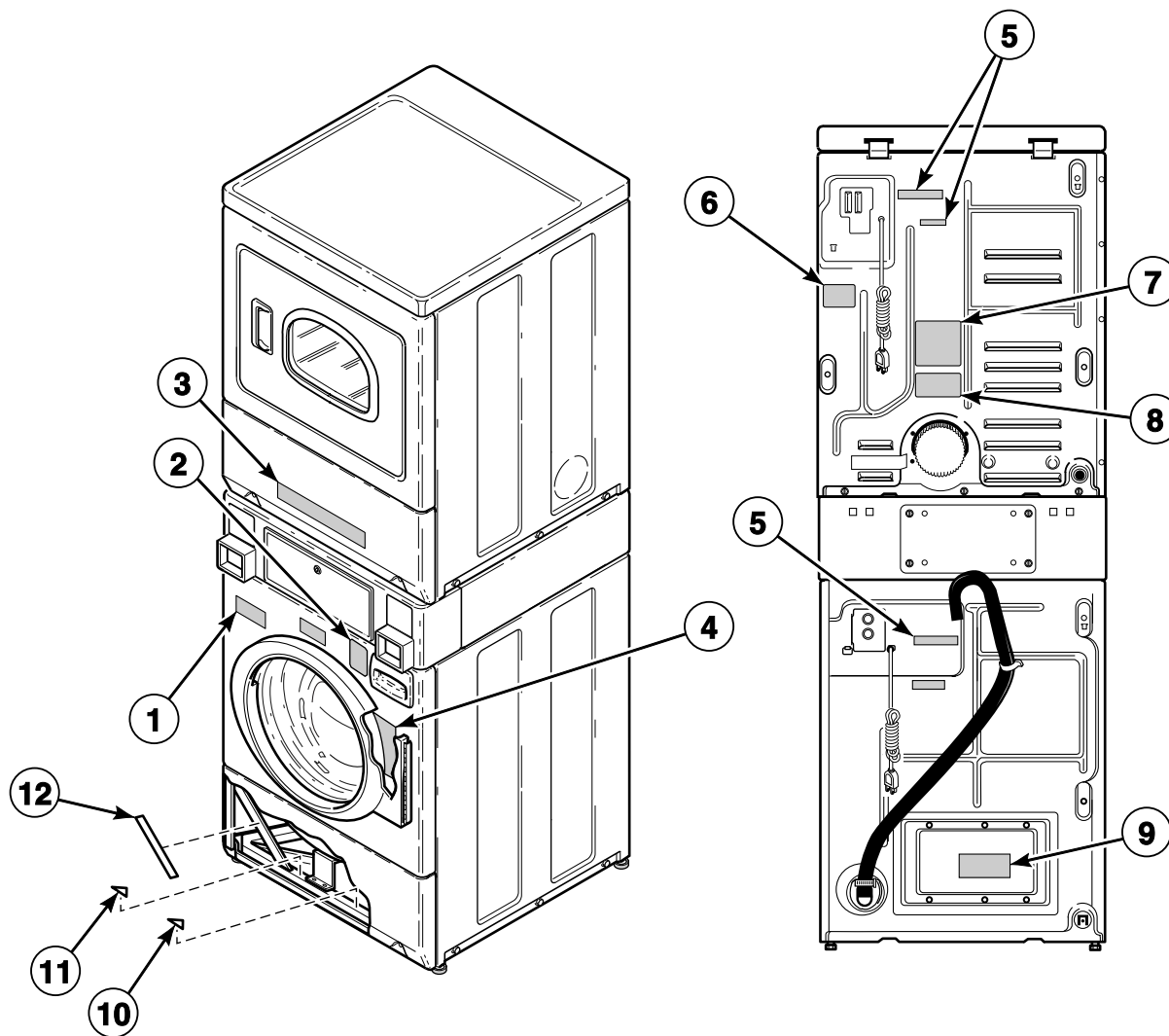
FLW845P\_802747

# Shipping Materials

REF	PART NO.	DESCRIPTION	COMMENTS
1	F430116	Screw	
2	M400014	Washer	
3	800632	Warning Label	Non-grounded
4	D500314	Warning Label	Models BTEBEFSP281CW01, BTEBEFSP282CW01, BTGBEFSP091CW01, HTEB77*N2802, HTEBDFSP282CW01, HTEBXFSP282CW01, HTEBXFSP292CW01, HTEBYFSP282CW01, HTET77*N2802, HTEX77*N2802, HTEX77*N2902, HTEY77*N2802, HTGB79*N0902, HTGBDFSP092CW01, HTGBYFSP092CW01, HTGT79*N0902, HTGX79*N0902 and HTGY79*N0902
	F8211201	Electrical Shock Label	Models BTEL75*N4065, BTEL77*N4065, BTEX75*N4065, BTEX77*N4065, HTEBXFSP132DW01, HTEBXFSP542DW01, HTGBXFSP122DW01, HTGBXFSP542DW01, NTEBXFSP302NW01, NTEBXFSP302NW22, NTEL77*N4064, NTEX77*N3000, NTEX77*N4064, NTEX77*N4067, NTEX77*N5400, NTGBXFSP302NW01, NTGL79*N4067, NTGX79*N3000, NTGX79*N4067, STEA77*N3069, STEBXFSP132DW01, STEBXFSP301NW22, STEBXFSP302NW01, STEBXFSP302NW22, STEBXFSP542DW01, STEBXFSP542NW01, STEX77*N3000, STEX77*N4064, STEX77*N5400, STEX77*N5754, STEY77*N4064, STEY77*N5754, STGBXFSP122DW01, STGBXFSP301NW22, STGBXFSP302NW01, STGBXFSP302NW22, STGBXFSP542DW01 and STGX79*N3000
	F8615701	Pinch Warning Label	Models BTEL75*N4065, BTEL77*N4065, BTEX75*N4065, BTEX77*N4065, HTEBXFSP132DW01, HTEBXFSP542DW01, HTGBXFSP122DW01, HTGBXFSP542DW01, NTEBXFSP302NW01, NTEBXFSP302NW22, NTEL77*N4064, NTEX77*N3000, NTEX77*N4064, NTEX77*N4067, NTEX77*N5400, NTGBXFSP302NW01, NTGL79*N4067, NTGX79*N3000, NTGX79*N4067, STEA77*N3069, STEBXFSP132DW01, STEBXFSP301NW22, STEBXFSP302NW01, STEBXFSP302NW22, STEBXFSP542DW01, STEBXFSP542NW01, STEX77*N3000, STEX77*N4064, STEX77*N5400, STEX77*N5754, STEY77*N4064, STEY77*N5754, STGBXFSP122DW01, STGBXFSP301NW22, STGBXFSP302NW01, STGBXFSP302NW22, STGBXFSP542DW01 and STGX79*N3000
	D500049	Warning Label	All other models
5	930P3	Shipping Materials Kit	Includes items 1, 2, 6, shipping bracket, and shipping cord and brace assembly
6	807552	Shipping Bracket Label	

\* Add Letter To Designate Color. Q - Bisque W - White

# Labels

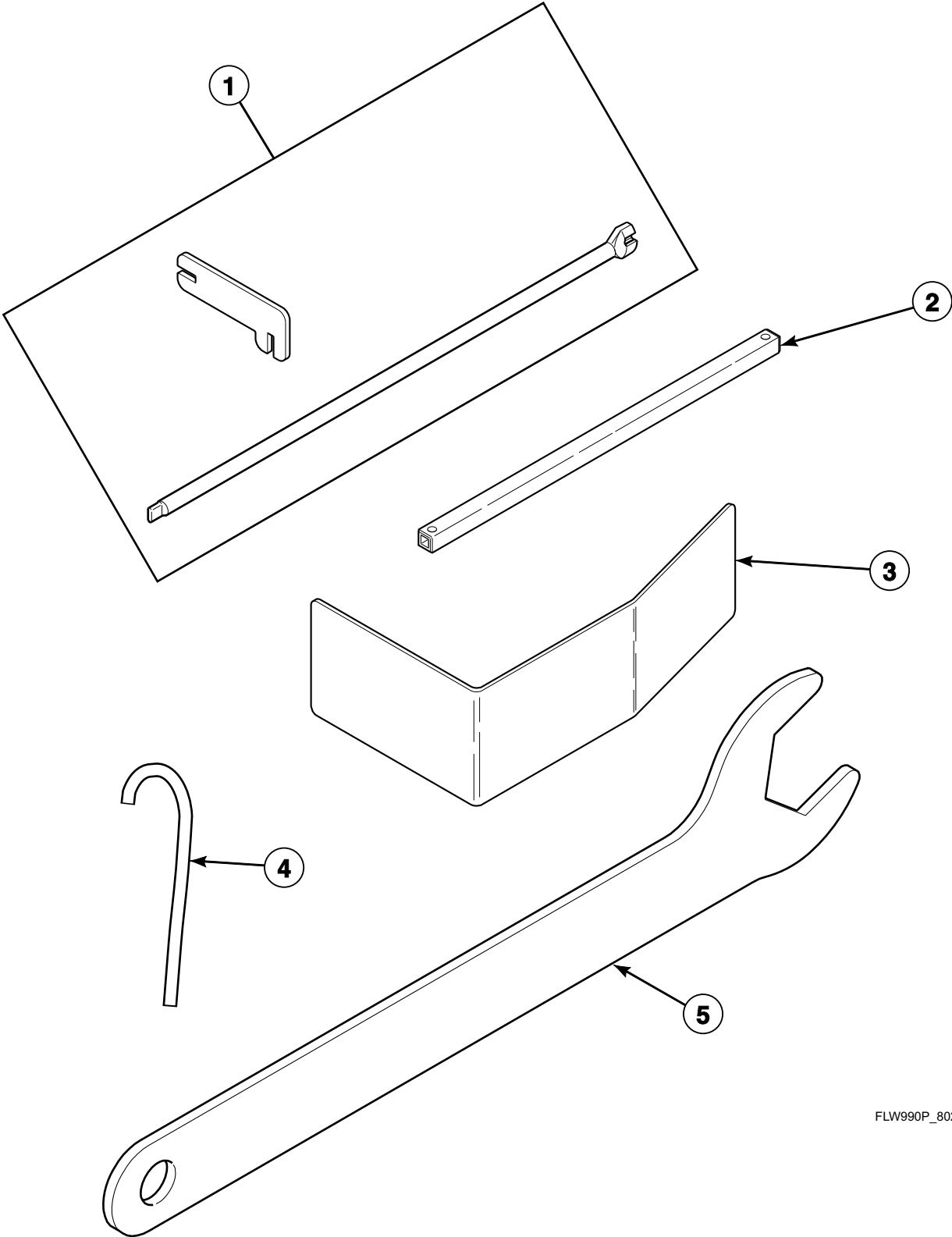


SWD1269P\_802747

# Labels

REF	PART NO.	DESCRIPTION	COMMENTS
1	803011	Notice Label	All models except BTEL75*N4065, BTEL77*N4065, BTEX75*N4065, BTEX77*N4065, NTEL77*N4064, NTEX77*N4064, NTEX77*N4067, NTGL79*N4067, NTGX79*N4067, STEA77*N3069, STEX77*N4064 and STEY77*N4064
2	802074	Oversudsing Label	English
	802838	Oversudsing Label	Spanish
	802839	Oversudsing Label	Quebec French
3	D505052	Instruction Label	English
	D513543	Instruction Label	French/English
4	804500	Warning Label	Models HTEBXFSP132DW01, HTEBXFSP542DW01, HTGBXFSP122DW01, HTGBXFSP542DW01, STEBXFSP132DW01, STEBXFSP542DW01, STGBXFSP122DW01 and STGBXFSP542DW01
	802367	Warning Label	All other models
5	D505281	Disconnect Power Warning Label	English
	D502511	Electrical Shock Label	Icon
	804582	Warning Label	Models HTEBXFSP132DW01, HTEBXFSP542DW01, HTGBXFSP122DW01, HTGBXFSP542DW01, STEBXFSP132DW01, STEBXFSP542DW01, STGBXFSP122DW01 and STGBXFSP542DW01
6	D500493	30 Amp Notice Label	Models HTEBXFSP132DW01, HTEBXFSP542DW01, NTEBXFSP302NW01, NTEBXFSP302NW22, NTEX77*N3000, NTEX77*N5400, STEA77*N3069, STEBXFSP132DW01, STEBXFSP301NW22, STEBXFSP302NW01, STEBXFSP302NW22, STEBXFSP542DW01, STEBXFSP542NW01, STEX77*N3000 and STEX77*N5400
7	D502791	Venting Instruction Label	
8	D500497	Exhaust Warning Label	
9	D500049	Warning Label	English
	D500314	Warning Label	Quebec French
	D502511	Electrical Shock Label	Icon
10	F8615701	Pinch Warning Label	
11	F8211201	Electrical Shock Label	
12	803522	Warning Label	

# Special Tools



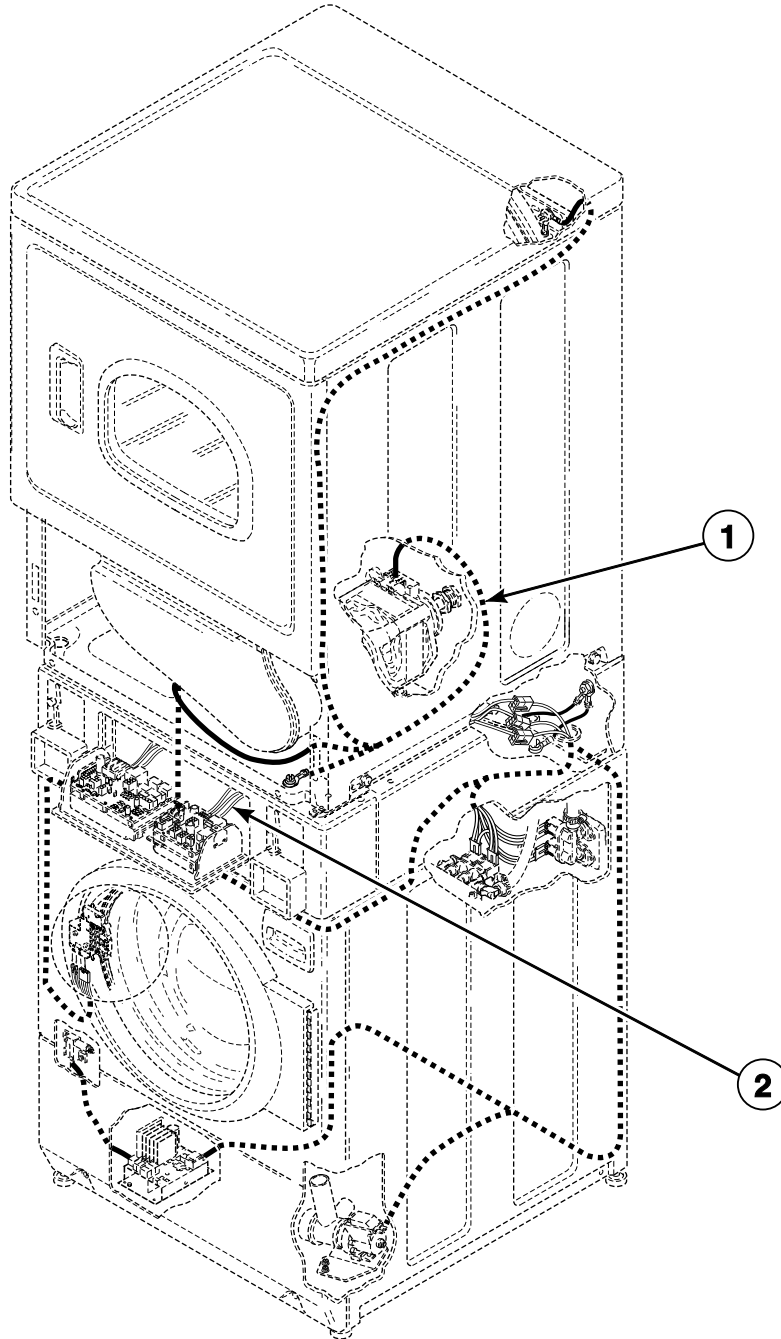
FLW990P\_802747

# Special Tools

REF	PART NO.	DESCRIPTION	COMMENTS
1	CK096	Mounting Tool Kit	Use to install and remove electronic coin drop kits
2	310P4	Ratchet Extension Tool	1/4 inch; Use to install and remove non-electronic coin drops
3	318P4	Dispenser Drawer Tool	Use to remove dispenser drawer
4	802336	Pulley Bolt Tightening Fixture	Use to install inner basket
5	392P4	Shock Adjusting Wrench	Use for adjusting leveling leg nuts

# Dryer Wire Harnesses and Wires

Models HTEB77\*N2802, HTGB79\*N0902, NTGL79\*N4067, NTGX79\*N4067, STEA77\*N, STEA77\*N3069, STEB77\*N, STEF77\*N, STEF77\*N4350, STGA73\*N, STGA79\*N, STGB79\*N and STGF79\*N



SWD1197P\_802747



## Dryer Wire Harnesses and Wires

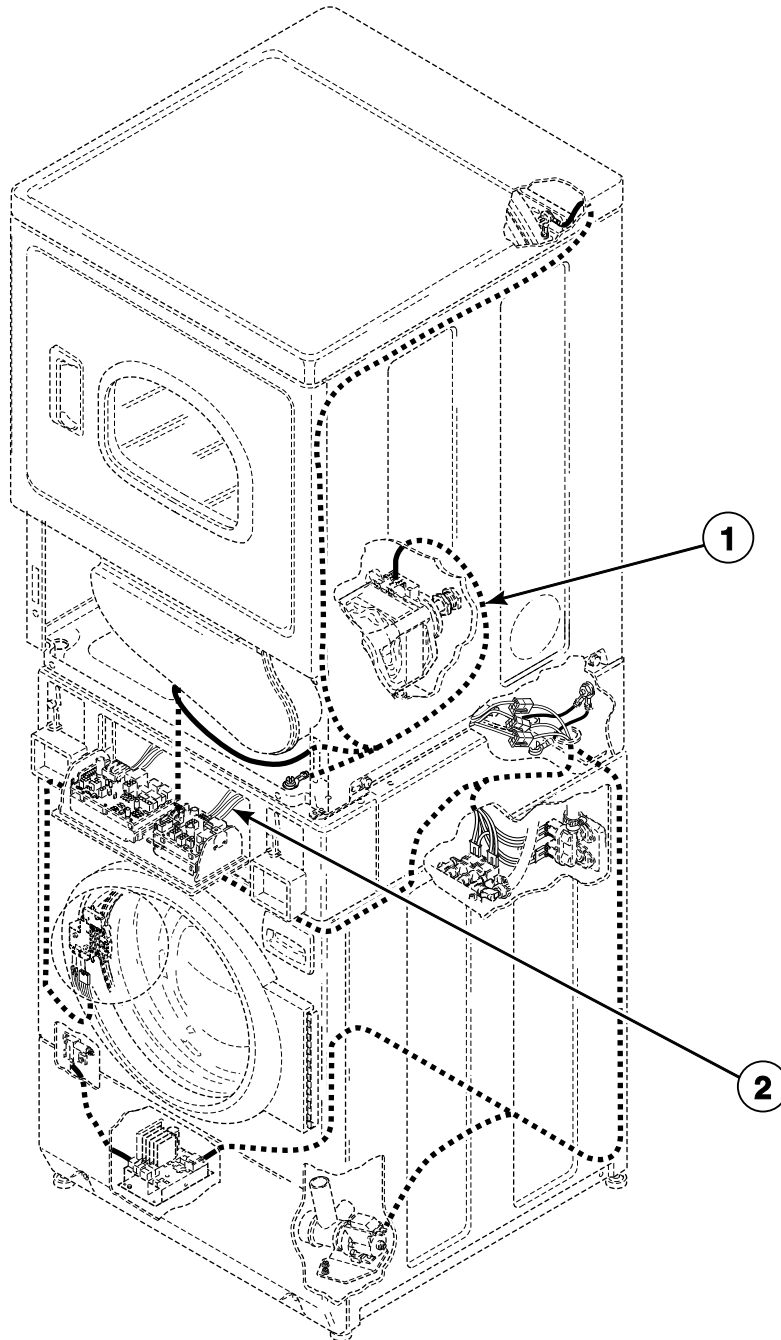
REF	PART NO.	DESCRIPTION	COMMENTS
	45001	18 Gauge Wire	Electric dryer; Black; Order wire by foot, terminals/connectors as required
	45380	12 Gauge Wire	Orange; Order wire by foot, terminals/connectors as required
<b>1</b>	D510434P	Wire Harness Assembly	Dryer; Model HTEB77*N2802
	D510408P	Upper Wire Harness Assembly	Dryer; Models STEA77*N, STEB77*N and STEF77*N
	D511753	Wire Harness Assembly	Dryer; Models NTGL79*N4067 and NTGX79*N4067
	D511314P	Wire Harness Assembly	Dryer; Models STEA77*N3069 and STEF77*N4350
	D510409P	Wire Harness Assembly	Dryer; All other models
<b>2</b>	D510496P	Wire Harness	Dryer security cabinet; Models HTEB77*N2802, STEA77*N, STEB77*N and STEF77*N
	D511757	Wire Harness Assembly	Dryer security cabinet; Models NTGL79*N4067 and NTGX79*N4067
	D511318P	Wire Harness Assembly	Dryer security cabinet; Models STEA77*N3069 and STEF77*N4350
	D510497P	Security Cabinet Wire Harness Assembly	Dryer security cabinet; All other models

\* Add Letter To Designate Color. **Q** - Bisque **W** - White

**NOTE:** Individual wires are not available separately. Order complete harness, or order wire by the foot. When applying terminals to wires, it is recommended that the terminals be soldered to the wires.

# Dryer Wire Harnesses and Wires - Models Through Serial Nos. Beginning 0904

All Models Except HTEB77\*N2802, HTGB79\*N0902, NTGL79\*N4067, NTGX79\*N4067, STEA77\*N, STEA77\*N3069, STEB77\*N, STEF77\*N, STEF77\*N4350, STGA73\*N, STGA79\*N, STGB79\*N and STGF79\*N



SWD1197P\_802747

## Dryer Wire Harnesses and Wires - Models Through Serial Nos. Beginning 0904

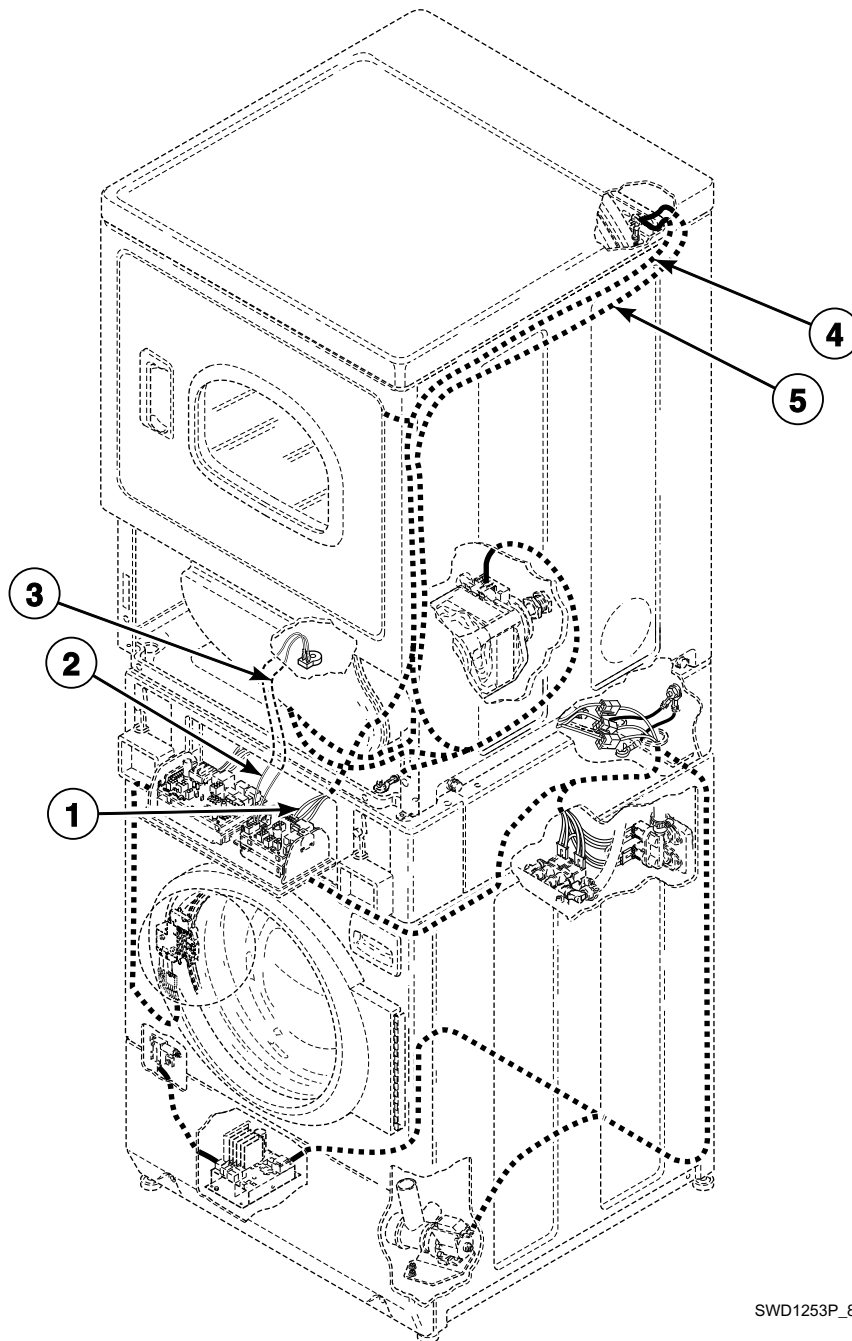
REF	PART NO.	DESCRIPTION	COMMENTS
	45001	18 Gauge Wire	Electric dryer; Black; Order wire by foot, terminals/connectors as required
	45380	12 Gauge Wire	Orange; Order wire by foot, terminals/connectors as required
1	D510434P	Wire Harness Assembly	Dryer; Models HTEBDFSP282CW01, HTEBFXFSP282CW01, HTEBFXFSP292CW01, HTEBYFSP282CW01, HTET77*N2802, HTEX77*N2802, HTEX77*N2902 and HTEY77*N2802
	D511336P	Wire Harness Assembly	Dryer; Models BTEL75*N4065, BTEL77*N4065, BTEX75*N4065, BTEX77*N4065, NTEL77*N4064, NTEX77*N4064, STEX77*N4064 and STEY77*N4064
	D510408P	Upper Wire Harness Assembly	Dryer; Models HTEBCFSP172TW01, HTEBFXFSP172FW28, HTET77*N, HTEY77*N, STEBCFSP172TQ01, STEBCFSP172TW01, STEBFXFSP172TQ01, STEBFXFSP172TW01, STEBYFSP172TW01, STET77*N, STEX77*N, STEX77*N2827 and STEY77*N
	D511317	Wire Harness Assembly	Dryer; Models NTGBXFSP302NW01, NTGX79*N3000, STGBXFSP301NW22, STGBXFSP302AW01, STGBXFSP302NW01, STGBXFSP302NW22 and STGX79*N3000
	D511347	Wire Harness Assembly	Dryer; Models STGX79*N3060 and STGX79*N3061
	D511314P	Wire Harness Assembly	Dryer; Models NTEBFXFSP302NW01, NTEBFXFSP302NW22, NTEX77*N3000, NTEX77*N4067, STEBFXFSP301NW22, STEBFXFSP302NW01, STEBFXFSP302NW22, STEBFXFSP432AW01, STEBFXFSP542NW01, STEX77*N3000, STEX77*N4350, STEX77*N4351, STEX77*N5400, STEX77*N5754 and STEY77*N5754
	D510409P	Wire Harness Assembly	Dryer; All other models
2	D510496P	Wire Harness	Dryer security cabinet; Models HTEBCFSP172TW01, HTEBDFSP282CW01, HTEBFXFSP172FW28, HTEBFXFSP282CW01, HTEBFXFSP292CW01, HTEBYFSP282CW01, HTET77*N, HTET77*N2802, HTEX77*N2802, HTEX77*N2902, HTEY77*N, HTEY77*N2802, STEBCFSP172TQ01, STEBCFSP172TW01, STEBFXFSP172TQ01, STEBFXFSP172TW01, STEBYFSP172TW01, STET77*N, STEX77*N, STEX77*N2827 and STEY77*N
	D511338P	Wire Harness Assembly	Dryer security cabinet; Models BTEL75*N4065, BTEL77*N4065, BTEX75*N4065, BTEX77*N4065, NTEL77*N4064, NTEX77*N4064, STEX77*N4064 and STEY77*N4064
	D511321P	Wire Harness Assembly	Dryer security cabinet; Models NTGBXFSP302NW01, NTGX79*N3000, STGBXFSP301NW22, STGBXFSP302AW01, STGBXFSP302NW01, STGBXFSP302NW22, STGX79*N3000, STGX79*N3060 and STGX79*N3061
	D511318P	Wire Harness Assembly	Dryer security cabinet; Models NTEBFXFSP302NW01, NTEBFXFSP302NW22, NTEX77*N3000, NTEX77*N4067, STEBFXFSP301NW22, STEBFXFSP302NW01, STEBFXFSP302NW22, STEBFXFSP432AW01, STEBFXFSP542NW01, STEX77*N3000, STEX77*N4350, STEX77*N4351, STEX77*N5400, STEX77*N5754 and STEY77*N5754
	D510497P	Security Cabinet Wire Harness Assembly	Dryer security cabinet; All other models

\* Add Letter To Designate Color. Q - Bisque W - White

**NOTE: Individual wires are not available separately. Order complete harness, or order wire by the foot. When applying terminals to wires, it is recommended that the terminals be soldered to the wires.**

# Dryer Wire Harnesses and Wires - Models Starting Serial Nos. Beginning 0904

All Models Except BTEBCFSP172TW01, BTEBEFSP282CW01, BTEBYFSP172TW01, HTEB77\*N2802, HTEBCFSP172TW01, HTEBDFSP282CW01, HTEBXFSP172FW28, HTEBXFSP282CW01, HTEBXFSP292CW01, HTEBYFSP282CW01, HTGB79\*N0902, NTGL79\*N4067, NTGX79\*N4067, STEA77\*N, STEA77\*N3069, STEB77\*N, STEBCFSP172TQ01, STEBCFSP172TW01, STEBXFSP172TQ01, STEBXFSP172TW01, STEBYFSP172TW01, STEF77\*N, STEF77\*N4350, STGA73\*N, STGA79\*N, STGB79\*N and STGF79\*N



SWD1253P\_802747

## Dryer Wire Harnesses and Wires - Models Starting Serial Nos. Beginning 0904

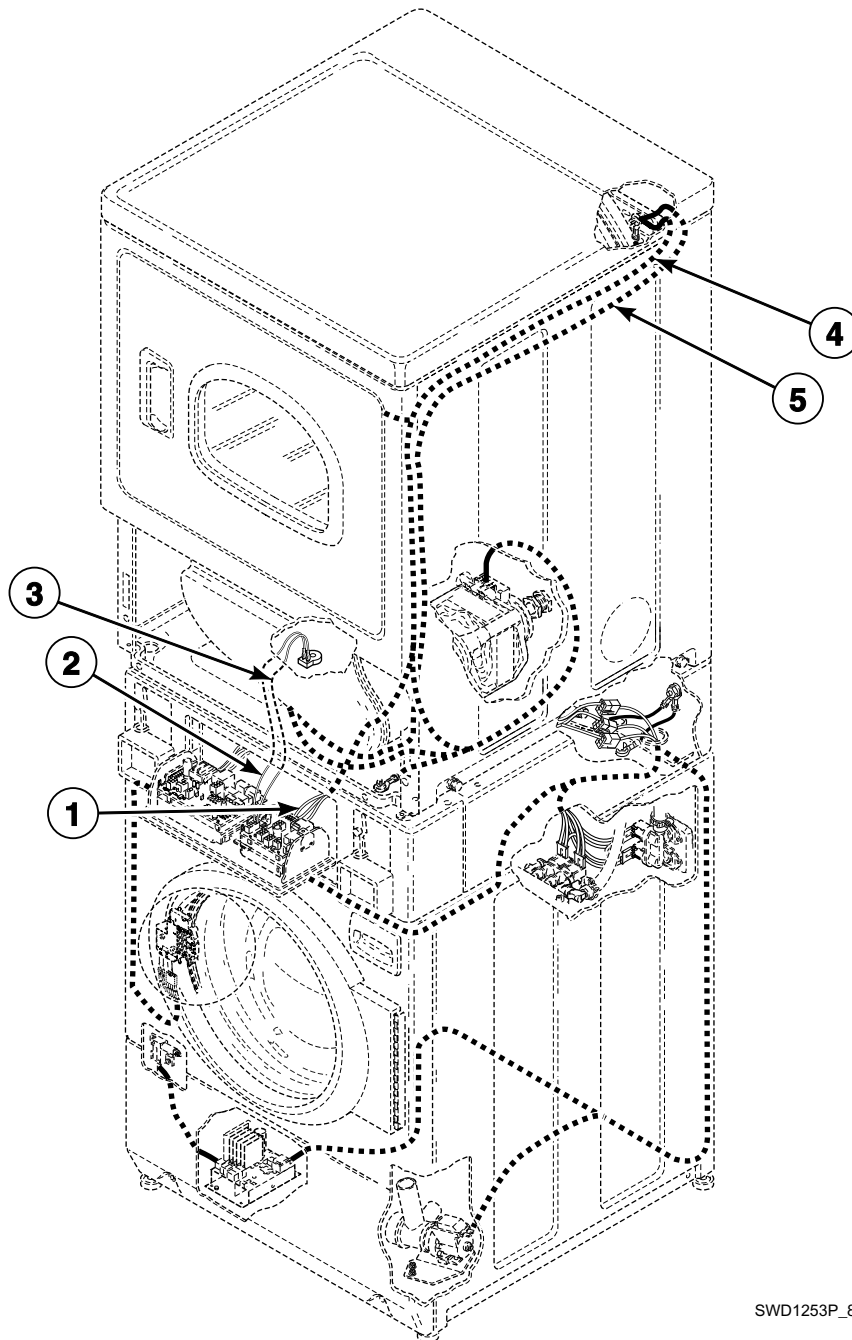
REF	PART NO.	DESCRIPTION	COMMENTS
	45001	18 Gauge Wire	Electric dryer; Black; Order wire by foot, terminals/connectors as required
	45380	12 Gauge Wire	Orange; Order wire by the foot; Order terminals and connectors as required
	D513246P	Jumper Assembly	For models with two resistors, connect jumper wire to each resistor; Models BTEBLFSP431AW01, BTEBLFSP432AW01, BTEBXFSP432AW01, BTEL75*N4065, BTEL77*N4065, BTEX75*N4065, BTEX77*N4065, BTEX77*N4350, BTGBLFSP301AW01, BTGBLFSP302AW01, BTGBXFSP302AW01, BTGX79*N3060, HTGBXFSP542DW01, NTEBXFSP302NW01, NTEBXFSP302NW22, NTEL77*N4064, NTEX77*N3000, NTEX77*N4064, NTEX77*N4067, NTEX77*N5400, NTGBXFSP302NW01, NTGX79*N3000, STEBXFSP301NW22, STEBXFSP302NW01, STEBXFSP302NW22, STEBXFSP432AW01, STEBXFSP542NW01, STEX77*N3000, STEX77*N4064, STEX77*N4350, STEX77*N4351, STEX77*N5400, STEY77*N5754, STEY77*N4064, STEY77*N5754, STGBXFSP301NW22, STGBXFSP302AW01, STGBXFSP302NW01, STGBXFSP302NW22, STGBXFSP542DW01, STGX79*N3000, STGX79*N3060 and STGX79*N3061
<b>1</b>	D512422P	Wire Harness Assembly	
<b>2</b>	D512273P	Wire Configuration Assembly	
<b>3</b>	D512275P	Wire Configuration Assembly	
<b>4</b>	D511793P	Electronic Harness	Upper; Models BTGBCFSP111TW01, BTGBCFSP112TW01, BTGBEFSP091CW01, BTGBEFSP111TW01, BTGBXFSP112FW01, BTGBYFSP112TW01, BTGX79*N1127, HTGBCFSP112TW01, HTGBDFSP092CW01, HTGBXFSP112FW28, HTGBXFSP122DW01, HTGBYFSP092CW01, HTGBYFSP112TW01, HTGT79*N, HTGT79*N0902, HTGX79*N0902, HTGY79*N, HTGY79*N0902, STGBCFSP112TW01, STGBXFSP112TW01, STGBXFSP112TW01, STGBXFSP122DW01, STGBYFSP112TW01, STGT79*N, STGX73*N, STGX79*N and STGY79*N
	D512434P	Wire Harness Assembly	Upper; Models BTEL75*N4065, BTEL77*N4065, BTEX75*N4065, BTEX77*N4065, NTEL77*N4064, NTEX77*N4064, STEY77*N4064 and STEY77*N4064
	D512644	Wire Harness Assembly	Upper; Models BTEBEFSP281CW01, HTET77*N2802, HTEX77*N2802, HTEX77*N2902 and HTEY77*N2802
	D513819	Wire Harness Assembly	Upper; Models HTGBXFSP542DW01, NTGBXFSP302NW01, NTGX79*N3000, STGBXFSP301NW22, STGBXFSP302AW01, STGBXFSP302NW01, STGBXFSP302NW22, STGBXFSP542DW01 and STGX79*N3000
	D513837	Wire Harness Assembly	Upper; Models BTGBLFSP301AW01, BTGBLFSP302AW01, BTGBXFSP302AW01, BTGX79*N3060, STGX79*N3060 and STGX79*N3061
	D511792P	Electronic Harness	Upper; All other models
<b>5</b>	D512890P	Power Wire Harness Assembly	Models BTEBEFSP281CW01, HTET77*N2802, HTEX77*N2802, HTEX77*N2902 and HTEY77*N2802
	D513848	Wire Harness Assembly	Models BTGBEFSP091CW01, HTGBDFSP092CW01, HTGBYFSP092CW01, HTGT79*N0902, HTGX79*N0902 and HTGY79*N0902

\* Add Letter To Designate Color. Q - Bisque W - White

**NOTE: Individual wires are not available separately. Order complete harness, or order wire by the foot. When applying terminals to wires, it is recommended that the terminals be soldered to the wires.**

# Dryer Wire Harnesses and Wires - Models Starting Serial Nos. Beginning 0904 and Continuing Through Serial Nos. Beginning 1303

Models BTEBCFSP172TW01, BTEBEFSP282CW01, BTEBYFSP172TW01, HTEBCFSP172TW01, HTEBDFSP282CW01, HTEBXFSP172FW28, HTEBXFSP282CW01, HTEBXFSP292CW01, HTEBYFSP282CW01, STEBCFSP172TQ01, STEBCFSP172TW01, STEBXFSP172TQ01, STEBXFSP172TW01 and STEBYFSP172TW01



SWD1253P\_802747

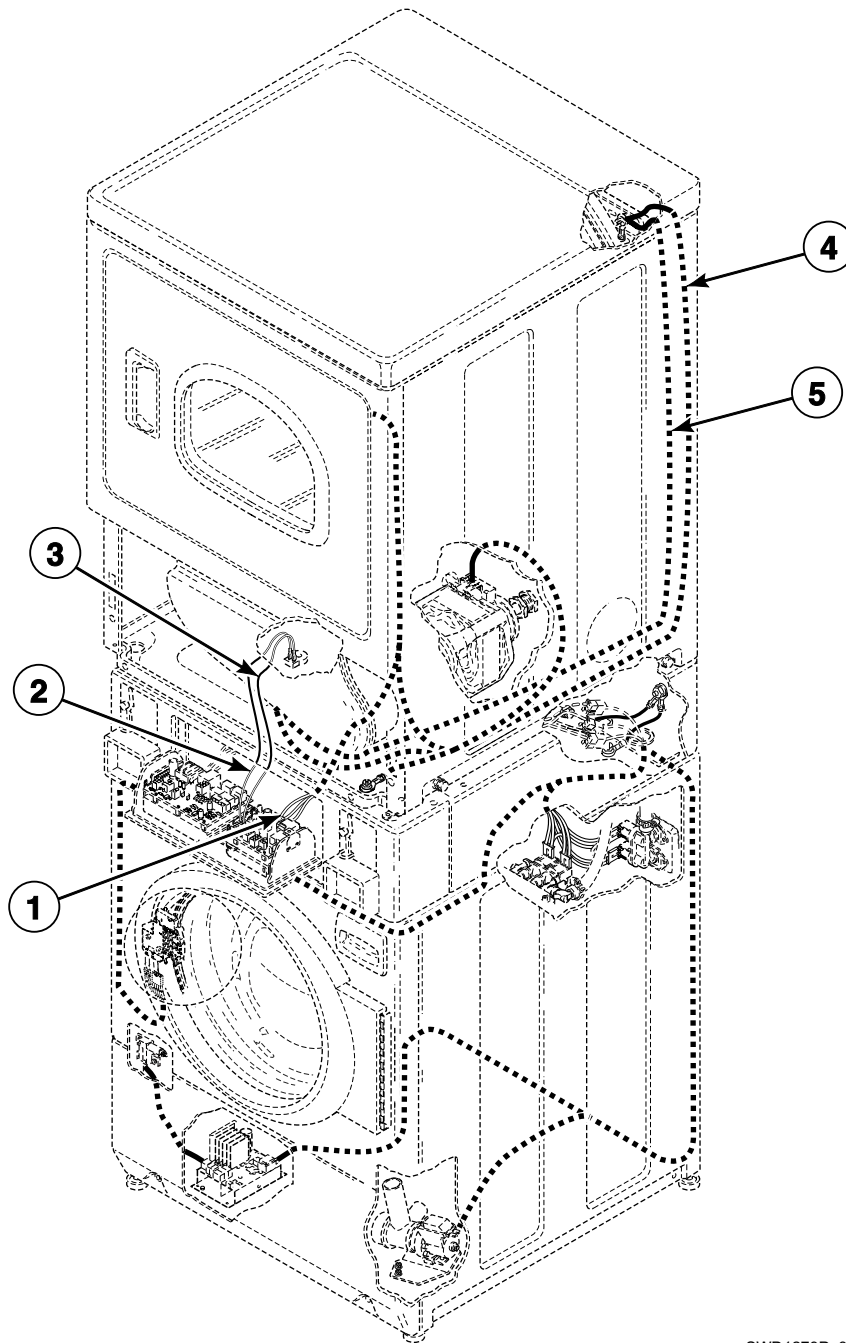
## Dryer Wire Harnesses and Wires - Models Starting Serial Nos. Beginning 0904 and Continuing Through Serial Nos. Beginning 1303

REF	PART NO.	DESCRIPTION	COMMENTS
	45001	18 Gauge Wire	Electric dryer; Black; Order wire by foot, terminals/connectors as required
	45380	12 Gauge Wire	Orange; Order wire by the foot; Order terminals and connectors as required
1	D512422P	Wire Harness Assembly	
2	D512273P	Wire Configuration Assembly	
3	D512275P	Wire Configuration Assembly	
4	D512644	Wire Harness Assembly	Upper; Models HTEBDFSP282CW01, HTEBXFSP282CW01, HTEBXFSP292CW01 and HTEBYFSP282CW01
	D511792P	Electronic Harness	Upper; All other models
5	D512890P	Power Wire Harness Assembly	Models BTEBEFSP282CW01, HTEBDFSP282CW01, HTEBXFSP282CW01, HTEBXFSP292CW01 and HTEBYFSP282CW01

**NOTE: Individual wires are not available separately. Order complete harness, or order wire by the foot. When applying terminals to wires, it is recommended that the terminals be soldered to the wires.**

# Dryer Wire Harnesses and Wires - Models Starting Serial Nos. Beginning 1303

Models BTEBCFSP172TW01, BTEBEFSP282CW01, BTEBYFSP172TW01, HTEBCFSP172TW01, HTEBDFSP282CW01, HTEBXFSP132DW01, HTEBXFSP172FW28, HTEBXFSP282CW01, HTEBXFSP292CW01, HTEBXFSP542DW01, HTEBYFSP282CW01, STEBCFSP172TQ01, STEBCFSP172TW01, STEBXFSP132DW01, STEBXFSP172TQ01, STEBXFSP172TW01, STEBXFSP542DW01 and STEBYFSP172TW01



SWD1279P\_802747

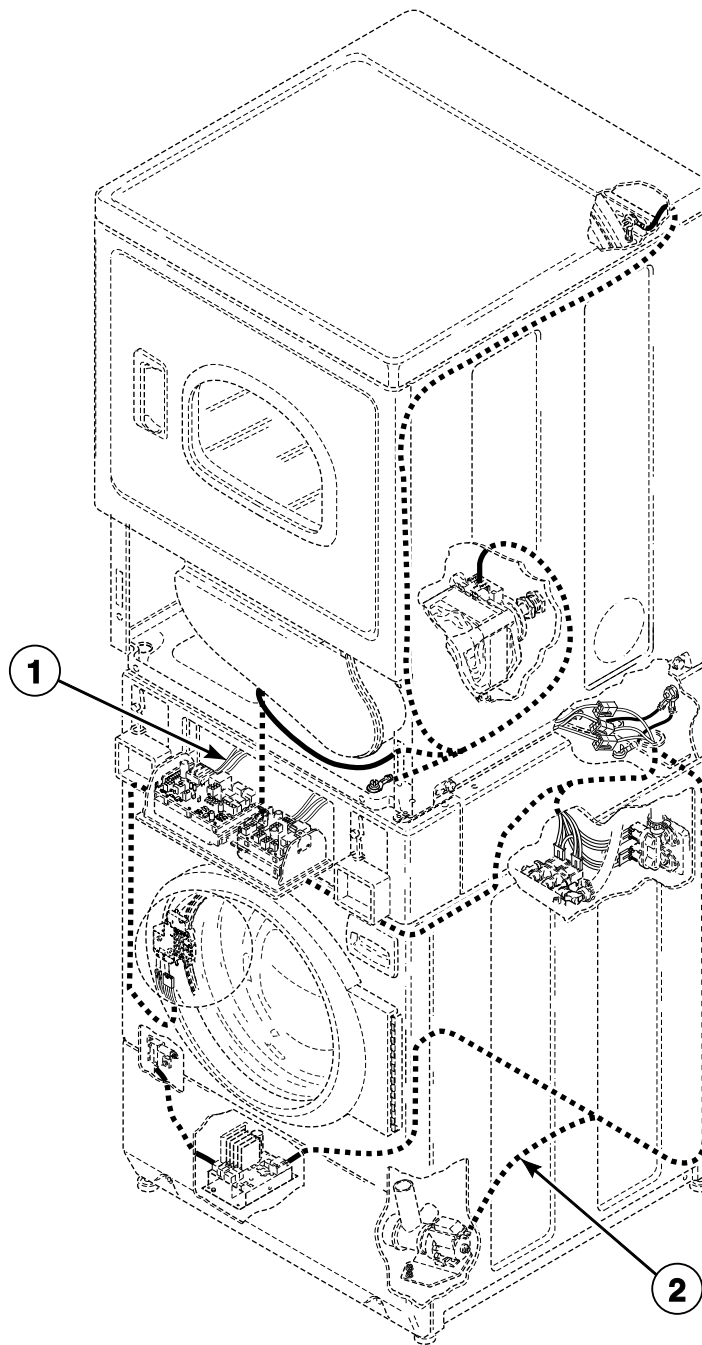


## Dryer Wire Harnesses and Wires - Models Starting Serial Nos. Beginning 1303

REF	PART NO.	DESCRIPTION	COMMENTS
	45001	18 Gauge Wire	Electric dryer; Black; Order wire by foot, terminals/connectors as required
	45380	12 Gauge Wire	Orange; Order wire by the foot; Order terminals and connectors as required
<b>1</b>	D512422P	Wire Harness Assembly	
<b>2</b>	D512273P	Wire Configuration Assembly	
<b>3</b>	D512275P	Wire Configuration Assembly	
<b>4</b>	D514094	Electronic Harness	Upper
<b>5</b>	D512890P	Power Wire Harness Assembly	Models BTEBEFSP282CW01, HTEBDFSP282CW01, HTEBXFSP282CW01, HTEBXFSP292CW01 and HTEBYFSP282CW01

**NOTE: Individual wires are not available separately. Order complete harness, or order wire by the foot. When applying terminals to wires, it is recommended that the terminals be soldered to the wires.**

# Washer Wire Harnesses and Wires (Drawing 1 of 2)



SWD1197PA\_802747

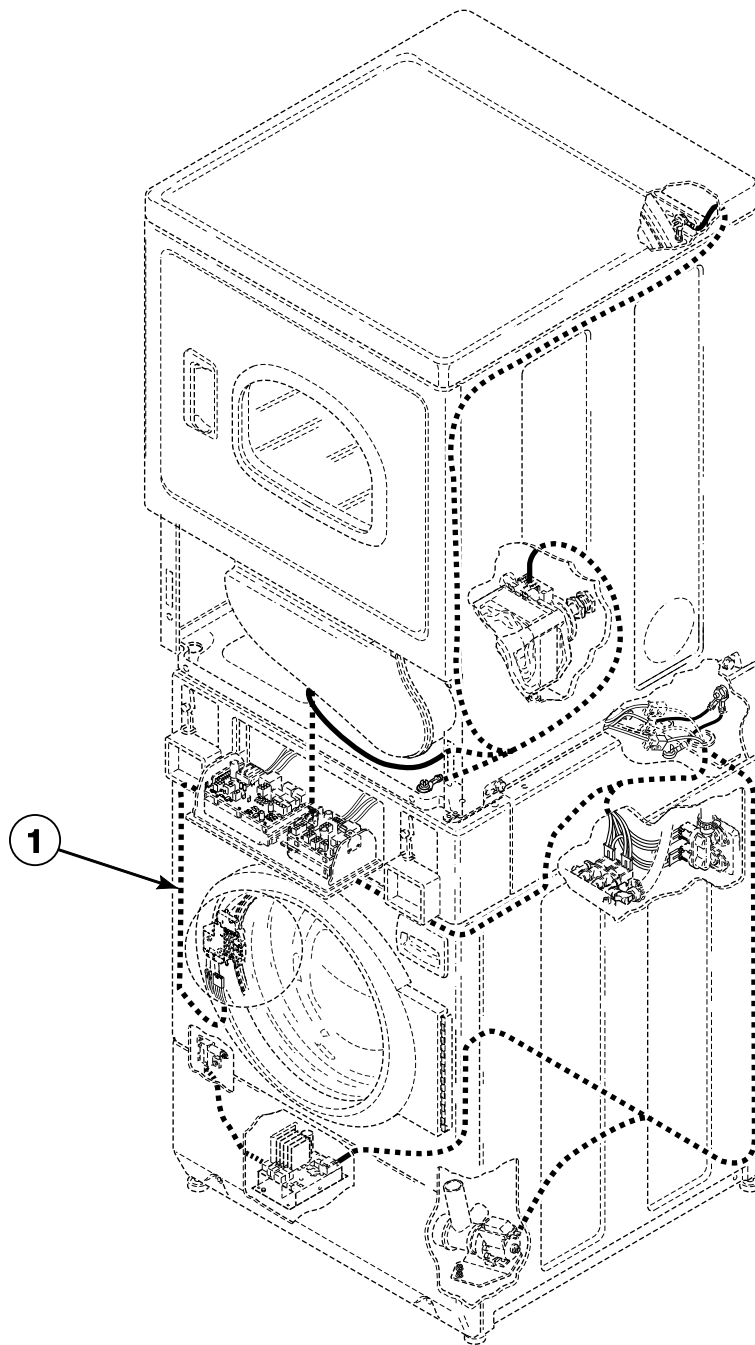
## Washer Wire Harnesses and Wires (Drawing 1 of 2)

REF	PART NO.	DESCRIPTION	COMMENTS
	45001	18 Gauge Wire	Black; Order wire by foot, terminals/connectors as required
	45380	12 Gauge Wire	Orange; Order wire by foot, terminals/connectors as required
<b>1</b>	803313	Control Harness Assembly	Models BTEBLFSP431AW01, BTEBLFSP432AW01, BTEBXFSP432AW01, BTEX77*N4350, BTGBLFSP301AW01, BTGBLFSP302AW01, BTGBXFSP302AW01, BTGX79*N3060, HTEBXFSP542DW01, HTGBXFSP542DW01, NTEBXFSP302NW01, NTEBXFSP302NW22, NTEX77*N3000, NTEX77*N5400, NTGBXFSP302NW01, NTGX79*N3000, STEBXFSP301NW22, STEBXFSP302NW01, STEBXFSP302NW22, STEBXFSP432AW01, STEBXFSP542DW01, STEBXFSP542NW01, STEX77*N3000, STEX77*N4350, STEX77*N4351, STEX77*N5400, STGBXFSP301NW22, STGBXFSP302AW01, STGBXFSP302NW01, STGBXFSP302NW22, STGBXFSP542DW01, STGX79*N3000, STGX79*N3060 and STGX79*N3061
	801335	Control Harness Assembly	Models STEA77*N3069 and STEF77*N4350
	801117	Control Harness Assembly	Models BTEL75*N4065, BTEL77*N4065, BTEX75*N4065, BTEX77*N4065, NTEL77*N4064, NTEX77*N4064, NTEX77*N4067, NTGL79*N4067, NTGX79*N4067, STEX77*N4064, STEX77*N5754, STEY77*N4064 and STEY77*N5754
	801064P	Front Control Harness Assembly	Models HTEB77*N2802, HTGB79*N0902, STEA77*N, STEB77*N, STEF77*N, STGA73*N, STGA79*N, STGB79*N and STGF79*N
	803107	Harness Assembly	All other models
<b>2</b>	802274P	Motor Harness Assembly	Models through Serial No. 1201004551
	803581	Motor Harness Assembly	Model starting Serial No. 1201004552

\* Add Letter To Designate Color. Q - Bisque W - White

**NOTE:** Individual wires are not available separately. Order complete harness, or order wire by the foot. When applying terminals to wires, it is recommended that the terminals be soldered to the wires.

# Washer Wire Harnesses and Wires (Drawing 2 of 2)



SWD1197PB\_802747

## Washer Wire Harnesses and Wires (Drawing 2 of 2)

REF	PART NO.	DESCRIPTION	COMMENTS
	45001	18 Gauge Wire	Black; Order wire by foot, terminals/connectors as required
	45380	12 Gauge Wire	Orange; Order wire by foot, terminals/connectors as required
1	802349P	Base Harness Assembly	Models BTEL75*N4065, BTEL77*N4065, BTEX75*N4065, BTEX77*N4065, NTEL77*N4064, NTEX77*N4064, NTEX77*N4067, NTGL79*N4067, NTGX79*N4067, STEX77*N4064, STEX77*N5754, STEY77*N4064 and STEY77*N5754; Models through Serial No. 0704007393
	802834P	Base Harness Assembly	Models BTEL75*N4065, BTEL77*N4065, BTEX75*N4065, BTEX77*N4065, NTEL77*N4064, NTEX77*N4064, NTEX77*N4067, NTGL79*N4067, NTGX79*N4067, STEX77*N4064, STEX77*N5754, STEY77*N4064 and STEY77*N5754; Models starting Serial No. 0704007394 and continuing through Serial No. 1001000989
	803470	Base Harness Assembly	Models BTEL75*N4065, BTEL77*N4065, BTEX75*N4065, BTEX77*N4065, NTEL77*N4064, NTEX77*N4064, NTEX77*N4067, NTGL79*N4067, NTGX79*N4067, STEX77*N4064, STEX77*N5754, STEY77*N4064 and STEY77*N5754; Models starting Serial No. 1001000990
	802350P	Base Harness Assembly	Models HTGBXFSP542DW01, NTEBXFSP302NW01, NTEX77*N3000, NTGBXFSP302NW01, NTGX79*N3000, STEA77*N3069, STEBXFSP302NW01, STEBXFSP432AW01, STEBXFSP542NW01, STEF77*N4350, STEX77*N3000, STEX77*N4350, STEX77*N4351, STEX77*N5400, STGBXFSP302AW01, STGBXFSP302NW01, STGBXFSP542DW01, STGX79*N3000, STGX79*N3060 and STGX79*N3061; Models through Serial No. 0705003456
	802833P	Base Harness Assembly	Models BTEBLFSP431AW01, BTEBLFSP432AW01, BTEBXFSP432AW01, BTEX77*N4350, BTGBLFSP301AW01, BTGBLFSP302AW01, BTGBXFSP302AW01, BTGX79*N3060, HTEBXFSP542DW01, HTGBXFSP542DW01, NTEBXFSP302NW01, NTEBXFSP302NW22, NTEX77*N3000, NTEX77*N5400, NTGBXFSP302NW01, NTGX79*N3000, STEA77*N3069, STEBXFSP301NW22, STEBXFSP302NW01, STEBXFSP302NW22, STEBXFSP432AW01, STEBXFSP542DW01, STEBXFSP542NW01, STEF77*N4350, STEX77*N3000, STEX77*N4350, STEX77*N4351, STEX77*N5400, STGBXFSP301NW22, STGBXFSP302AW01, STGBXFSP302NW01, STGBXFSP302NW22, STGBXFSP542DW01, STGX79*N3000, STGX79*N3060 and STGX79*N3061; Models starting Serial No. 0705003457
	802351P	Base Harness Assembly	All other models; Models through Serial No. 0709009264
	802831P	Base Harness Assembly	All other models; Models starting Serial No. 0709009265

\* Add Letter To Designate Color. Q - Bisque W - White

**NOTE:** Individual wires are not available separately. Order complete harness, or order wire by the foot. When applying terminals to wires, it is recommended that the terminals be soldered to the wires.



# Parts Index

## A

Access Panel and Guard Assembly D514252Q.....	59
Access Panel Assembly D514250Q.....	27, 59
D514250WP.....	27, 59
Access Panel Plate D510903.....	81
Adhesive D511637P.....	67, 69
Air Duct Assembly D518432.....	67
D518433.....	67
Anchor Floor Mount Assembly 802844P.....	47
Anti-Seize Compound 27604P.....	39
Audit Switch Bracket 800379.....	11
800380.....	11

## B

Backflow Preventer 34500.....	29, 31
800310.....	45
Ballast Weight 800205.....	37
Base Assembly 803876.....	47
Base Harness Assembly 802349P.....	107
802350P.....	107
802351P.....	107
802831P.....	107
802833P.....	107
802834P.....	107
803470.....	107
Base Shock Absorber Kit 807875.....	37
Bearing Housing Kit 800428P.....	39
Bearing Kit RB160001.....	39
Block to Relay Harness D511112P.....	71
Blower and Fan Kit D510717P.....	63
Blower Fan Assembly D510139P.....	61
Blower Housing D511969WP.....	61
Blower Housing Seal D510238P.....	61
Booster and Holding Coil 58804A.....	77
Boot Nozzle 802291.....	27, 29

Brace Kit 918P3.....	47
Bracket D510146.....	81
Bumper Pad 36226.....	47
56128.....	81
Burner Assembly D510149P.....	77

## C

Cabinet Brace 801491.....	47
801492.....	47
Cabinet Panel Kit 800004QP.....	47
800004WP.....	47
Cabinet Rear Panel D514632P.....	81
Cabinet Side Panel D510001QP.....	81
D510001WP.....	81
D510002QP.....	81
D510002WP.....	81
Cable Connection Box 39922.....	49
Cable Tie M405829.....	51
39037.....	29
Cap 801746.....	29
Card Insert Overlay D511544.....	21
D511548.....	21
Card Reader and Bracket Assembly D510068P.....	21
Card Reader Overlay 800230.....	21
Card Reader Shield 801101.....	81
Card Reader Wire Harness Assembly 800125P.....	21
Caution Label D500253.....	59
Central Pay Harness D511478.....	7, 23
CK125 Electronic Coin Drop Kit.....	19
Clamp Ring 800312.....	33
Clean Lint Label D519038.....	59
Clip 201572.....	19
Clothes Guard 803537.....	33
Clothes Guard and Deflector Kit 804560P.....	33

N/A items do not appear in index.

Clothes Guard Deflector			Cylinder Assembly		
804174P .....	33		D510265LGP .....	67	
804482 .....	33		D510265WP .....	67	
Coin Drop			Cylinder Baffle		
38963P .....	17		D510102LG .....	67	
70441601P .....	17		D510102W .....	67	
Coin Drop Assembly			Cylinder Belt		
CK114 .....	17		D511255P .....	61	
38462P .....	17		Cylinder Glide		
38463 .....	17		D513710 .....	67	
38464P .....	17		Cylinder Glide Bracket		
38467 .....	17		D510145 .....	67	
38472 .....	17		Cylinder Roller		
38519 .....	17		D510708P .....	69	
38521 .....	17		Cylinder Roller Bracket		
70441602 .....	17		D510100 .....	69	
70447301 .....	17		Cylinder Seal Assembly		
70482401 .....	19		D510207P .....	67, 69	
Coin Drop Kit					
CK122 .....	19				
CK123 .....	17				
Coin Drop Wire Harness					
201104 .....	19				
Coin Identification Paper					
38725 .....	17, 19				
Coin Meter					
70513302 .....	19				
Combustion Duct					
D510131 .....	75				
Connector, 2 Circuit					
58799 .....	87				
Connector, 3 Circuit					
58800 .....	87				
Contactora					
F330177P .....	11, 23, 71				
70323701P .....	81				
Contactora Bracket					
D511859 .....	81				
Contactora Wire Harness Assembly					
801120P .....	11, 23				
Control Assembly					
D511867P .....	7, 23				
802400P .....	7, 23				
803146P .....	7				
Control Cabinet Bottom					
801777 .....	23				
Control Harness Assembly					
801117 .....	105				
801335 .....	105				
803313 .....	105				
Control Kit					
D505905P .....	7				
800772P .....	7				
802076P .....	7				
Control Panel					
801778W .....	23				
Control Panel and Bracket Assembly					
800034W .....	7				
Control Shield					
801061 .....	41				
801371 .....	11, 23				
804738 .....	41				
Conversion Kit					
756P3 .....	71				

## D

Damper					
58786 .....	81				
Detergent Cover					
800899 .....	29				
Diagnostic Wire Harness Assembly					
800374 .....	7				
Din Rail					
M412693 .....	71, 81				
Directional Exhaust Kit					
528P3 .....	81				
Disconnect Power Warning Label					
D505281 .....	91				
Dispenser					
685756P .....	29				
801090P .....	29				
Dispenser Assembly					
801476P .....	29				
Dispenser Drawer					
685757P .....	29				
Dispenser Drawer Front					
685715QP .....	29				
685715WP .....	29				
Dispenser Drawer Tool					
318P4 .....	93				
Dispenser Plate					
801024 .....	29				
Dispenser-to-Door Seal Hose					
802256 .....	27, 29				
Dispenser-to-Tub Hose					
800331 .....	29				
Door and Liner Assembly					
D511636QP .....	55				
Door Assembly					
D516737W .....	55				
D517041 .....	57				
802872P .....	27				
804914QP .....	27				
804914WP .....	27				
Door Catch Assembly					
D510177 .....	59				
802803 .....	27				

N/A items do not appear in index.



Door Glass	
802695P	27
Door Handle Wedge	
D510129W	53
Door Hinge	
802934	27
Door Latch/Switch Assembly	
802317P	27
Door Liner Grill	
D503870LG	53
D503870W	53
Door Pull and Wedge Kit	
D510103QP	55
D510103WP	55
Door Seal Assembly	
802866P	27, 29
Door Seal Kit	
802830P	27, 29
Door Strike	
D510181	53
Door Strike Mount	
D510127	53
Drain Hose	
27154	45
Drain Hose Elbow	
35766	45
Drain Kit	
985P3	45
Drain Pump	
802623P	45
802624P	45
802625P	45
Drain Valve	
803293P	43
Drain Valve Kit	
F975P3	43
F976P3	43
Drain-to-Cabinet Hose	
800903	43
Drive Belt	
800319P	41
Driven Pulley	
800866	39
Dryer Base	
D514245	81
Dryer Door	
D510082QP	53
D510082WP	53
Dryer Door Assembly	
D514114Q	53
Dryer Door Window	
D503982P	53
Dual Overlay	
39073	17

## E

Elbow Shut-Off Valve	
D510205	77
Electric Access Panel	
801134	15
Electrical Shock Label	
D502511	91

F8211201	37, 89, 91
Electronic Coin Drop Assembly	
70294104	19
70294107	19
70294110	19
70294111	19
70294117	19
70294120	19
70294121	19
70294122	19
70513306	19
70513311	19
Electronic Coin Drop Kit	
CK099	19
CK100	19
CK101	19
CK103	19
CK109	19
CK110	19
CK113	19
CK115	19
CK116	19
CK117	19
CK118	19
CK120	19
CK121	19
Electronic Harness	
D511792P	99, 101
D511793P	99
D514094	103
End Stop	
70121001	71, 81
Exhaust Duct	
D516196	81
Exhaust Warning Label	
D500497	91
Expansion Clip	
70030501	23, 25
Extractor Tool	
128P4	85
190P4	85

## F

Felt Pad	
D510189	67
Female Piggyback Terminal	
00361	87
Female Pin Terminal	
00117	87
Female Spade Terminal	
00189	87
Female Terminal	
00188	85
00255	85
00256	85, 87
Fill Hose	
F200116	31
202799	31
202800	31
202931	31
20617	31
20618	31
37380	31

N/A items do not appear in index.

Fill Hose Kit	
38349P .....	31
Filter	
801255P .....	15, 25
Filter Jumper Harness	
808048 .....	49
Fitting	
801792P .....	15, 25
Flexible Venting Kit	
521P3 .....	81
Front Bulkhead Assembly	
D510266P .....	67
Front Control Harness Assembly	
801064P .....	105
Front Overlay	
801874 .....	9
Front Panel	
D510066QP .....	59
D510066WP .....	59
802277QP .....	27
802277WP .....	27
Front Panel Assembly	
D513781WP .....	59
Front Panel Pad	
36204 .....	27
Front Panel Seal	
D511056 .....	59
Fuse	
801755 .....	41
Fuse Notice Label	
61294 .....	67, 81

## G

Gas Valve Assembly	
D510506P .....	77
60353P .....	77
Gas Valve Mounting Bracket	
D510128 .....	77
Gasket	
802427 .....	45
Glass Mounting Clip	
802700 .....	27
Glide Kit	
RB170003 .....	67
Graphic Overlay	
801984 .....	23
802289 .....	23
Gravity Drain Bracket	
803291 .....	43
Gravity Drain Valve	
803292P .....	43
Grommet	
29175 .....	37
Grounding Clip	
00161 .....	37

## H

Hardware Kit	
838P3 .....	39

Harness Assembly	
D511327 .....	81
802904P .....	17
802905 .....	17, 19
803107 .....	105
Harness Strap	
55881 .....	27, 51, 87
Heat Duct Shroud	
D510101 .....	75
Heater	
D511014P .....	71
Heater Assembly	
D510324P .....	73
D510326P .....	73
D510327P .....	73
D510329P .....	73
D510330P .....	73
Heater Duct Assembly	
D510705P .....	71, 73, 75
Heater Harness	
802323P .....	35
803492 .....	35
Heater Kit	
964P3 .....	73
965P3 .....	73
Heater Kit Assembly	
61927 .....	73
61928 .....	73
61929 .....	73
61930 .....	73
Heating Element	
804777P .....	35
804778P .....	35
Hinge	
D511036 .....	55
Hinge Hole Plug	
D510186 .....	59
Hinge Plate	
802206 .....	27
Hole Plug	
M412154 .....	47
Hose Clamp	
F200204 .....	45
F200206 .....	29
20211 .....	45
20391 .....	45
39282 .....	37
685725 .....	29, 43
802164 .....	27, 29, 31
802281 .....	27
802698 .....	27, 29
Hose Clip	
36985 .....	13, 23, 51
800553 .....	39
Hose Mounting Plate	
800552 .....	39
Housing, 10 Position	
D500338 .....	85

## I

Idler Lever	
D516310 .....	61

N/A items do not appear in index.

Idler Lever and Wheel Assembly D516792 .....	61
Idler Spring D510185 .....	61
Idler Wheel and Bearing Assembly D510142P .....	61
Igniter and Bracket Assembly D510184P .....	77
D518679 .....	77
Inner Basket Assembly 802365P .....	39
803008P .....	39
804322 .....	39
Inner Door Bezel Kit 808095 .....	27
808096 .....	27
Insert 685716 .....	29
Instruction Label D505052 .....	91
D513543 .....	91
Insulated Female Flag Terminal 00221 .....	87
Inverter Control Assembly 803254P .....	41
803255P .....	41

## J

Jumper Assembly D513246P .....	99
Jumper Configuration Assembly M413507 .....	13, 23
Jumper Harness D513268 .....	41
D513316 .....	41
Jumper Harness Assembly M413505 .....	13
Jumper Wire Assembly D518529 .....	71
Junction Box 801403 .....	49
Junction Box Cover 801404 .....	49
Junction Box Seal 801425P .....	49

## K

Key 54612 .....	7
--------------------	---

## L

Lead-In Cord D516389 .....	83
34458 .....	51
59308 .....	83
Lead-In Cord Assembly D514222 .....	83
D514289 .....	83

D516747 .....	83
804556 .....	49
Lead-In Pipe Assembly D510204 .....	77
Lead-In Wire Harness Assembly 201405P .....	49
804680 .....	49
Left Control Cabinet Side 801738W .....	23
Left Hand Thread Label 685928 .....	47
804949 .....	47
Leveling Leg D510135 .....	81
34319 .....	47
Lid Assembly 802426P .....	45
Limit Thermostat D510701 .....	71, 73
D510702 .....	75
Line Filter 201058 .....	15, 25, 49
Liner and Seal Assembly D516509 .....	53
Liner Door Seal D510147P .....	53
Lint Filter D503980LG .....	67
D503980W .....	67
Lock Cam 27261 .....	7
Lock Kit 27260P .....	7
Lower Junction Box 801433 .....	49
L.P. Conversion Kit 458P3 .....	77
600P3 .....	77
L.P. Orifice D503786 .....	79
58755 .....	79

## M

Male Pin Terminal 00116 .....	87
Manual Reset Thermostat M411941 .....	65
Membrane Switch D510036P .....	7, 23
210010P .....	7, 23
Mixing Valve 802220P .....	31
802222P .....	31
Mixing Valve Plate 800323 .....	31
Mixing Valve Screen 802926 .....	31
Motor Access Hole Edging 801702 .....	47
Motor and Pulley Assembly D505843P .....	61
D505869P .....	61

N/A items do not appear in index.

D511629P .....	61
Motor and Rod Assembly Kit 801684P .....	41
Motor Harness Assembly 802274P .....	105
803581 .....	105
Motor Hub Ring Kit 590P3 .....	61
Motor Mount D518517 .....	61
Motor Mount Clamp D510180 .....	61
Motor Mount Rod 801062 .....	41
Motor Pulley D500011 .....	61
D500222 .....	61
Mounting Tool Kit CK096 .....	93

## N

Nameplate 39564 .....	21
Network Varistor Assembly 801311 .....	15, 25
Notice Label 803011 .....	91
Notice Label, 30 Amp D500493 .....	91
Nut F430218 .....	33, 39
03673 .....	51
201216 .....	19
21899 .....	47
23951 .....	27
29786 .....	17, 43
29787 .....	15, 25
36020 .....	27
44071201 .....	55
52566 .....	61
56156 .....	61, 69
685846 .....	27
70054 .....	21
800452 .....	37, 39
802292 .....	27, 29
802343 .....	33
803017 .....	39
N.G. Conversion Kit 459P3 .....	77
N.G. Orifice D503776 .....	79
D503778 .....	79
D503779 .....	79
D503780 .....	79
D510517 .....	79

## O

Opto Coupler 200674P .....	17
O-Ring 802429P .....	45

N/A items do not appear in index.

Outer Door Bezel Kit 802313QP .....	27
802313WP .....	27
802314P .....	27
Outer Tub Assembly 801081P .....	37
801291 .....	37
Outlet Cover D500820 .....	71, 73, 75
Out-of-Balance Switch Assembly 803415 .....	37
Out-of-Balance Switch Assembly Kit 806512 .....	37
Overlay D513546 .....	9
201091 .....	19
800026 .....	9
800027 .....	9
800894 .....	9
801051 .....	9
801054 .....	9
801415 .....	9
802078 .....	9
803157 .....	9
803435 .....	9
803536 .....	23
803597 .....	9
Overlay Kit 38676 .....	17
Oversudsing Label 802074 .....	91
802838 .....	91
802839 .....	91

## P

Panel Kit 727P3Q .....	81
727P3W .....	81
Panel Locator 56079 .....	17, 21, 27, 47, 59, 81
Pinch Warning Label F8615701 .....	89, 91
8615701 .....	37
Plug 23040 .....	87
Plug, 9 Circuit 23033 .....	87
Pop Rivet 685847 .....	39
Porcelain Touch-Up Paint 122P4P .....	47
370P4P .....	47
Power Cord Assembly D506081 .....	83
58992 .....	83
801450 .....	49
802012 .....	49
808045 .....	49
808047 .....	49
Power Harness Assembly 803150P .....	69
Power Wire Harness Assembly D512890P .....	99, 101, 103

Pressure Bulb Assembly 205241 .....	37
Pressure Switch 802299P .....	11, 23
Pulley Bolt Tightening Fixture 802336 .....	93
Pump Housing 802428 .....	45
Pump Housing Assembly 802434P .....	45
Pump Mount Bracket 802626 .....	45
Pump-to-Elbow Hose 685737 .....	45

## R

Ratchet Extension Tool 310P4 .....	93
Rear Access Panel 800011 .....	47
Rear Bulkhead Assembly D511082P .....	69
Rear Control Cabinet 801058 .....	23, 25
Rear Panel 800010P .....	47
801216 .....	47
Receptacle, 2 Circuit D501223 .....	87
Receptacle, 3 Circuit 23039 .....	87
36170 .....	87
Receptacle, 6 Circuit 26708 .....	87
Relay to Heater Harness D511114P .....	71
Resistor 210100 .....	13, 23
Retaining Ring 23748 .....	41, 61, 69
Right Control Cabinet Side 800915Q .....	23
800915W .....	23
Roller Kit RB170002 .....	69
Rubber Foot 34318 .....	47

## S

Screw D500226 .....	53
D500824 .....	61
D501086 .....	31
D501285 .....	67, 69
D501524 .....	7, 23, 41
D50366111, 15, 17, 21, 23, 25, 27, 31, 37, 41, 43, 45, 47, .....	49, 81
D50368811, 15, 17, 21, 23, 25, 59, 61, 67, 69, 71, 73, 75, .....	77, 81
D505295 .....	55, 67

D505870 .....	53, 55
F430116 .....	39, 89
M400057 .....	41
M405188 .....	47
02916 .....	43
20530 .....	51, 83
23222 .....	65, 71, 73, 77
31260 .....	61
31645 .....	47
33562 .....	59
36048 .....	17, 21, 81
39733 .....	17, 21, 27, 47, 59, 81
430497 .....	47
51782 .....	75, 77
52864 .....	67
52909 .....	45
56124 .....	77
61199 .....	69
62588 .....	67
62853 .....	59
685831 .....	39
70240301 .....	23, 25
800461 .....	37
800462 .....	33, 39
800548 .....	27, 29
800930 .....	23
801001 .....	29
801019 .....	27
801045 .....	27
801993 .....	27
802430 .....	45
802431 .....	45
802596 .....	33
Screw Orifice 58719 .....	79
Seal Kit RB170001 .....	67, 69
Sealant 27615P .....	45
Secondary Coil 58804B .....	77
Security Cabinet Front Assembly D511208Q .....	21
D511632Q .....	17
D511632WP .....	17
D518303W .....	21
Security Cabinet Rear Service Panel 800177 .....	11
Security Cabinet Wire Harness Assembly D510497P .....	95, 97
Security Cabinet Wrapper Assembly 800231Q .....	17, 21
801235Q .....	17, 21
801235W .....	17, 21
Sensor D510213 .....	77
Shaft 56461P .....	61, 69
Shipping Bracket Label 807552 .....	89
Shipping Materials Kit 930P3 .....	89
Shock Adjusting Wrench 392P4 .....	93
Side Panel Kit 800005QP .....	47

N/A items do not appear in index.

806492 .....	47
Single Overlay	
38717 .....	17
Snap Bushing	
D503235 .....	43
M402542 .....	11, 15, 23, 25, 49
Speed Clip	
28835 .....	59
Spring	
F8504601 .....	43
Standpipe Strap	
33489 .....	45
Strain Relief	
D502500 .....	83
38384 .....	51, 83
52113 .....	83
52151 .....	83
60298 .....	83
Strain Relief Adapter	
D502496 .....	83
Switch	
D512973 .....	11, 59
Switch Mounting Bracket	
800663 .....	37
803388 .....	37

## T

Tension Rod Assembly	
800666 .....	39
Terminal	
00252 .....	87
Terminal Block Assembly	
D505876 .....	15, 25, 69
D510190P .....	69
801250 .....	15
801756 .....	25
Terminal Block Shield	
D510237 .....	69
Terminal Block Support Bracket	
D505875 .....	69
Terminal Extractor Tool	
283P4 .....	85
Thermal Fuse Assembly	
D518649 .....	71, 73
Thermal Fuse Kit	
490P3 .....	71, 73
Thermistor	
803256 .....	35
Thermistor Assembly	
D502366 .....	65
D510523 .....	65
Thermostat	
D510703 .....	65, 75
Thermostat Opening Cover	
61203 .....	47
Top Hinge	
D510136 .....	81
Top Kit	
D510032QP .....	81
D510032WP .....	81
Transformer	
201375P .....	13, 19

N/A items do not appear in index.

210018P .....	13
803527P .....	13, 23
Transformer Kit	
D511658P .....	81
Trunnion Shaft and Hardware Kit	
800749P .....	39
Tub Front Assembly	
802258 .....	33
802260 .....	33
803494 .....	33
Tub Front Seal	
800432P .....	33, 39
Tub Shock Absorber Kit	
800622P .....	37
Tubing	
800648P .....	37
Tub-to-Drain Hose	
800902 .....	43
Tub-to-Pump Hose	
800317 .....	45

## U

Upper Wire Harness Assembly	
D510408P .....	95, 97

## V

Valve Assembly	
60443P .....	77
Valve Kit	
685766P .....	29
801836P .....	29
Valve-to-Dispenser Inlet Hose	
801464 .....	29, 31
Venting Instruction Label	
D502791 .....	91

## W

Warning Label	
D500049 .....	37, 89, 91
D500314 .....	89, 91
D512263 .....	59
D514226 .....	59
500314 .....	37
800632 .....	89
802367 .....	91
803522 .....	91
804500 .....	91
804582 .....	91
Warning/Caution Label	
D500281 .....	59
Washer	
D501307 .....	81
D504082 .....	69
M400014 .....	89
M400017 .....	43
M400080 .....	41
M400081 .....	37
M403958 .....	39
02834 .....	41

03815 .....	51
20290 .....	31
26509 .....	17, 21
52549 .....	41, 61, 69
800457 .....	33, 39
802254 .....	31
802293 .....	27, 29
803615 .....	31
807679 .....	39
Window Clip	
D513958 .....	55
Window Trim	
D503981Q .....	57
D503981W .....	57
D512633 .....	57
D513960Q .....	57
Wire Assembly	
D518255 .....	73
D518256 .....	73
Wire Clamp	
800811 .....	37
Wire Clip	
D504034 .....	51
687500 .....	27, 29, 51
Wire Configuration Assembly	
D512273P .....	99, 101, 103
D512275P .....	99, 101, 103
Wire Guard	
201595P .....	17
Wire Harness	
D510496P .....	95, 97
Wire Harness Assembly	
D510409P .....	95, 97
D510434P .....	95, 97
D510621P .....	69
D510622 .....	69
D511303 .....	81
D511314P .....	95, 97
D511317 .....	97
D511318P .....	95, 97
D511321P .....	97
D511336P .....	97
D511338P .....	97
D511347 .....	97
D511753 .....	95
D511757 .....	95
D512422P .....	99, 101, 103
D512434P .....	99
D512644 .....	99, 101
D513819 .....	99
D513837 .....	99
D513848 .....	99
801421 .....	49
802013 .....	49
Wire Ring and Spring	
806466 .....	27
Wire Tie	
38663 .....	51
Wire, 12 Gauge	
45380 .....	95, 97, 99, 101, 103, 105, 107
Wire, 18 Gauge	
45001 .....	95, 97, 99, 101, 103, 105, 107
Wiring Harness Assembly	
202869 .....	23

