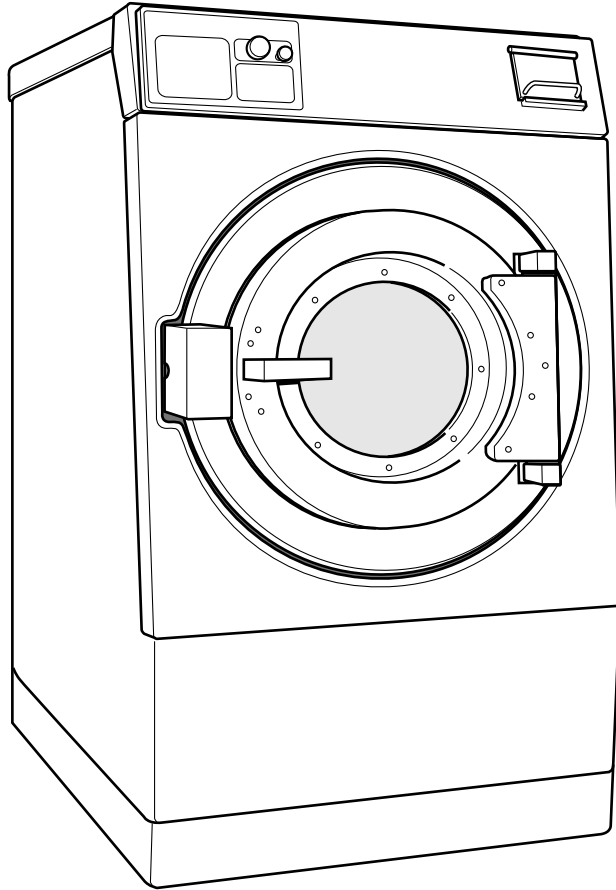


Washer-Extractor

Refer to Page 5 for Model Numbers



PHM1397C_C002874

Table of Contents

Title	Page
Parts Ordering Information.....	3
Serial Plate Location	3
Model Identification	5
Product Overview - PS40 Control	6
Decals - Models through 8/31/09 (Drawing 1 of 2)	8
Decals - Models through 8/31/09 (Drawing 2 of 2)	10
Decals - Models starting 9/1/09	12
Bearing Housing Assembly (Drawing 1 of 6)	14
Bearing Housing Assembly (Drawing 2 of 6)	16
Bearing Housing Assembly (Drawing 3 of 6)	18
Bearing Housing Assembly (Drawing 4 of 6)	20
Bearing Housing Assembly (Drawing 5 of 6)	22
Bearing Housing Assembly (Drawing 6 of 6)	24
Top and Front Panels (Drawing 1 of 2).....	26
Top and Front Panels (Drawing 2 of 2).....	28
Rear, Side and Valve Panels (Drawing 1 of 2)	30
Rear, Side and Valve Panels (Drawing 2 of 2)	32
Control Box Assembly.....	34
Cylinder Assembly	36
Single Cup Dispenser Assembly.....	38
5 Cup Dispenser Assembly.....	40
Door Assembly - Models through 2/9/09 (Drawing 1 of 2)	42
Door Assembly - Models through 2/9/09 (Drawing 2 of 2)	44
Door Assembly - Models starting 2/10/09 (Drawing 1 of 2).....	46
Door Assembly - Models starting 2/10/09 (Drawing 2 of 2).....	48
Door Lock Assembly	50
Door Lock Assembly with Magnetic Sensor.....	52
5 Cup Hot Plumbing Assembly	54
1 Cup Hot Plumbing Assembly	56
5 Cup Cold Plumbing Assembly	58
1 Cup Cold Plumbing Assembly	60
Auxiliary Plumbing Assembly	62
Supply Hose and Filter (Optional).....	64
Steam Heat Assembly	66
Steam Option Assembly	68
Shell Assembly (Drawing 1 of 2).....	70
Shell Assembly (Drawing 2 of 2).....	72
Electric Heat Shell Assembly (Drawing 1 of 2).....	74
Electric Heat Shell Assembly (Drawing 2 of 2).....	76
Drive Box Assembly.....	78
Electric Heat Drive Box Assembly	80

© Copyright 2023, Alliance Laundry Systems LLC

All rights reserved. No part of the contents of this book may be reproduced or transmitted in any form or by any means without the expressed written consent of the publisher.

AC Drive and EMI Filter	82
AC Drive and EMI Filter - Electric Heat Models	84
PowerFlex Drive and EMI Filter - Design 1 Models	86
PowerFlex Drive and EMI Filter - Design 2 Models	88
Main Assembly (Drawing 1 of 8)	90
Main Assembly (Drawing 2 of 8)	92
Main Assembly (Drawing 3 of 8)	94
Main Assembly (Drawing 4 of 8)	96
Main Assembly (Drawing 5 of 8)	98
Main Assembly (Drawing 6 of 8)	100
Main Assembly (Drawing 7 of 8)	102
Main Assembly (Drawing 8 of 8)	104
Parts Index	107

Parts Ordering Information

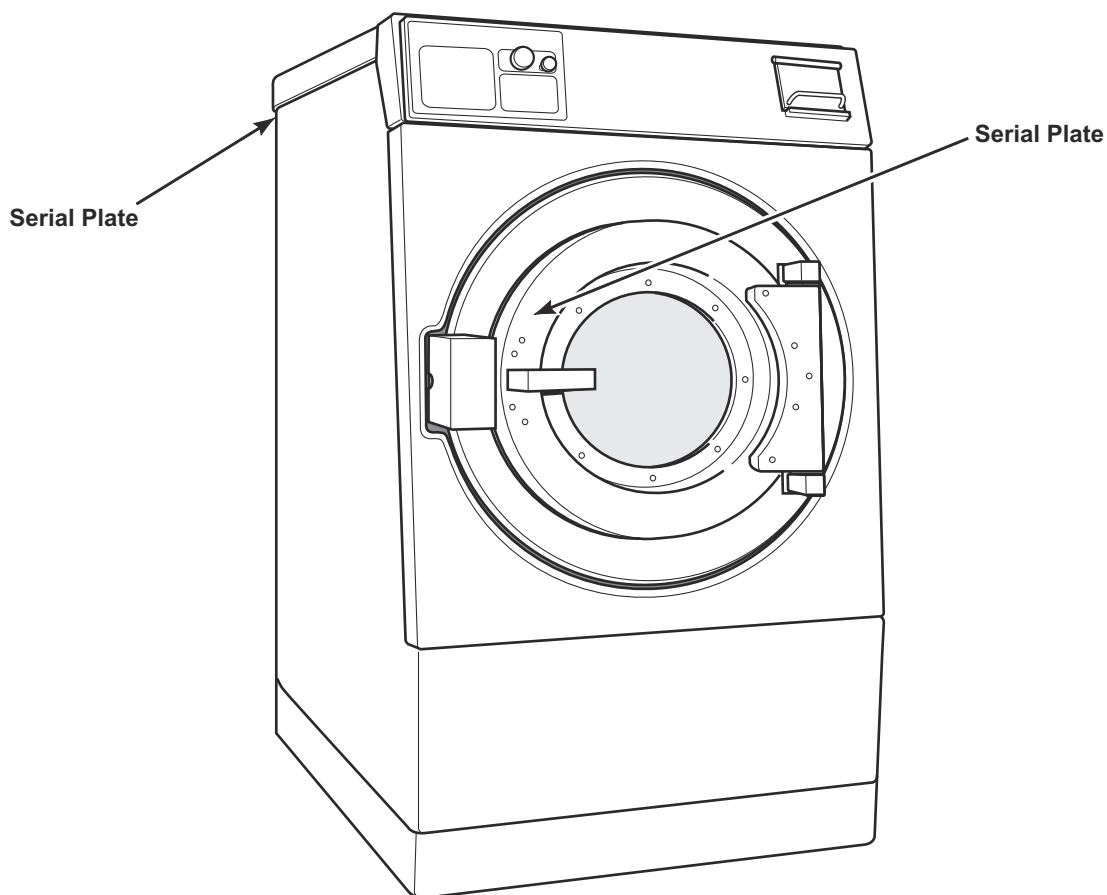
If literature or replacement parts are required, contact the source from whom the machine was purchased or contact Alliance Laundry Systems at (920) 748-3950 for the name and address of the nearest authorized parts distributor.

For technical assistance, call the number listed below:

(920) 748-3121 Ripon, Wisconsin

Serial Plate Location

When calling or writing about your product, be sure to mention model and serial numbers. Model and serial numbers are located on serial plate(s) as shown. The serial plate is located inside the door and on the upper rear panel.



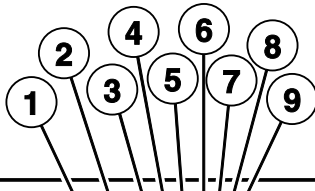
PHM1397CA_C002874

Model Identification


Information in this manual is applicable to these washer-extractor models:

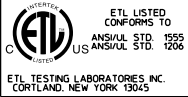
CP040PHN1	IP040PHN1	JP040PHN1
CP040PHQ1	IP040PHN2	JP040PHQ1
CP040PHX2	IP040PHQ1	JP060PHN1
CP040PMN1	IP040PHX2	JP060PHN2
CP040PMQ1	IP040PMN1	JP060PHQ1
CP040PMX2	IP040PMQ1	JP060PMQ1
CP060PHN1	IP040PMX2	
CP060PHN2	IP060PHN1	
CP060PHQ1	IP060PHN2	
CP060PHQ2	IP060PHQ1	
CP060PHX1	IP060PHQ2	
CP060PHX2	IP060PHX2	
CP060PMN1	IP060PMN1	
CP060PMQ1	IP060PMN2	
CP060PMX2	IP060PMQ1	
CPC40H	IP060PMX2	
CPC40M	IPH40H	
CPC60H	IPH40M	
CPC60M	IPH60H	
	IPH60M	
	IPH180	
	IPH270	

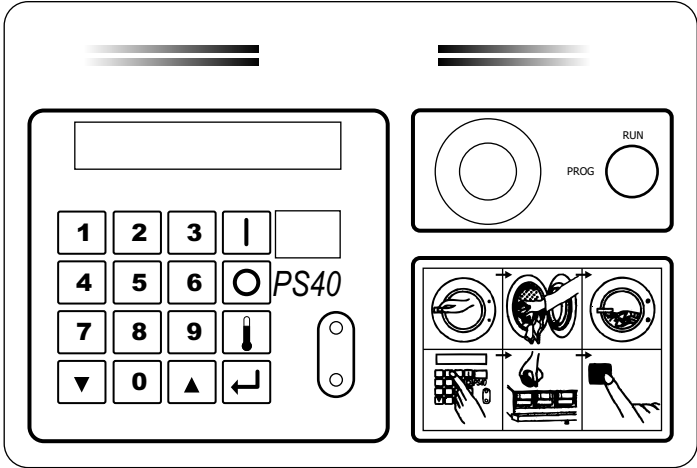
Product Overview - PS40 Control



Model No. *P040PHQ1001U01
 Serial No. 00000000000
 Voltage 208 – 240 Hz 60 Phase 3
 Number of wires : 3 FLA: amps
 Circuit Breaker Size : 3 amps
 Max. Load: 40 LB 18.2 KG
 Schematic:
 Supply Water: 30 - 85 psi, 2 - 5.7 BAR





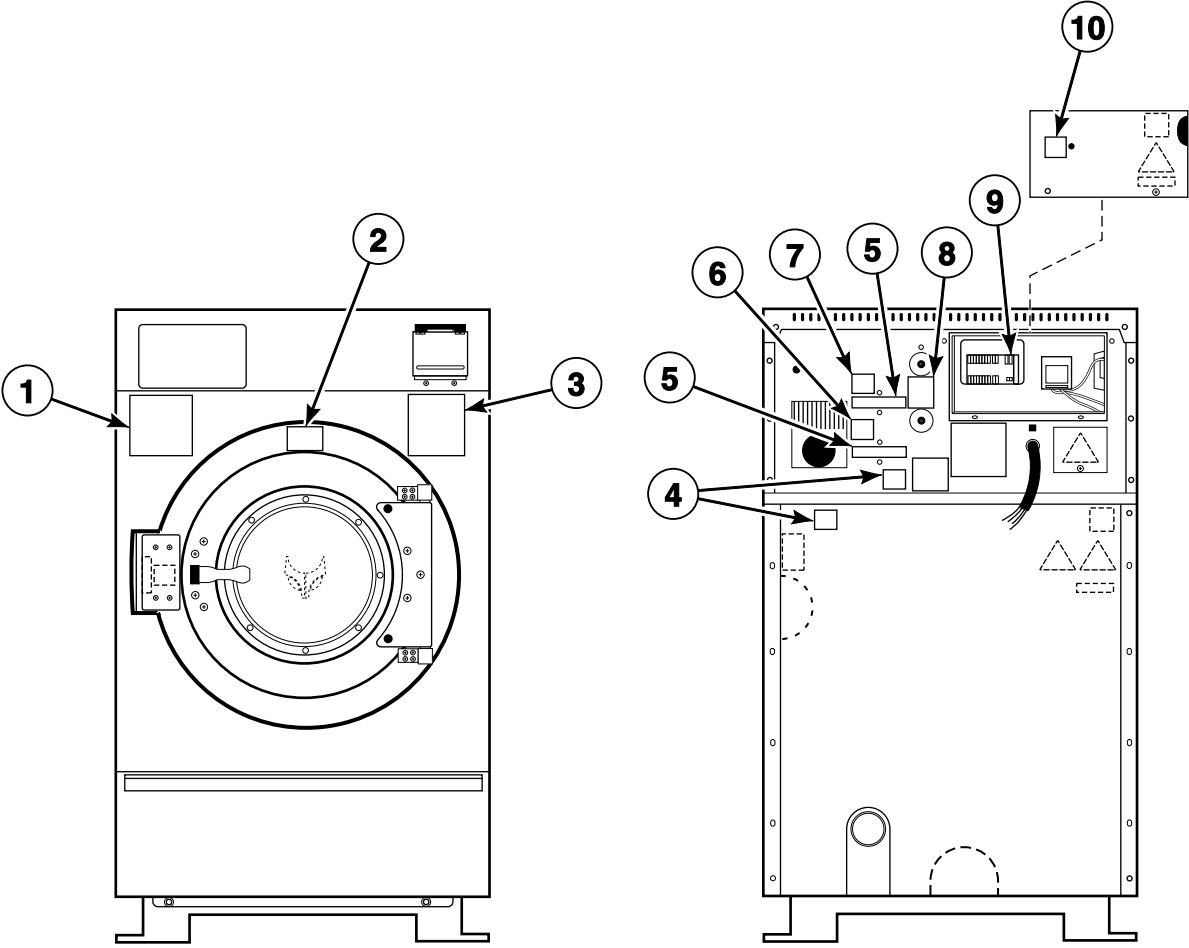


PHM3091P_C002874

Product Overview - PS40 Control

REF	PART NO.	DESCRIPTION	COMMENTS
1		Product Family	CP IP JP
2		Capacity (Pounds)	040 060 080 100 125 140 175
3		Control	P (PS-40 Control)
4		Speed	H (High Speed) M (Medium Speed)
5		Voltage	N (380-415/440-480/50/60/3) Q (208-220/220-240/50/60/3) X (208-220/220-240/50/60/1/3)
6		Design	1 2
7		Heat	0 (Prep for Steam) D (Direct) E (Electric)
8		Plumbing	0 (Standard US Thread - 2 valves) A (US Thread - 3 valves) B (Metric Thread - 2 valves) C (Metric Thread - 3 valves) D (US Thread - 2 valves, 3 inlets) E (No valves)
9		Supply	1 (1 Compartment 6 Signals) 2 (1 Compartment 12 Signals) 5 (5 Compartments 6 Signals) 6 (5 Compartments 12 Signals) 7 (No Compartment 6 Signals) 8 (No Compartment 12 Signals)

Decals - Models through 8/31/09 (Drawing 1 of 2)

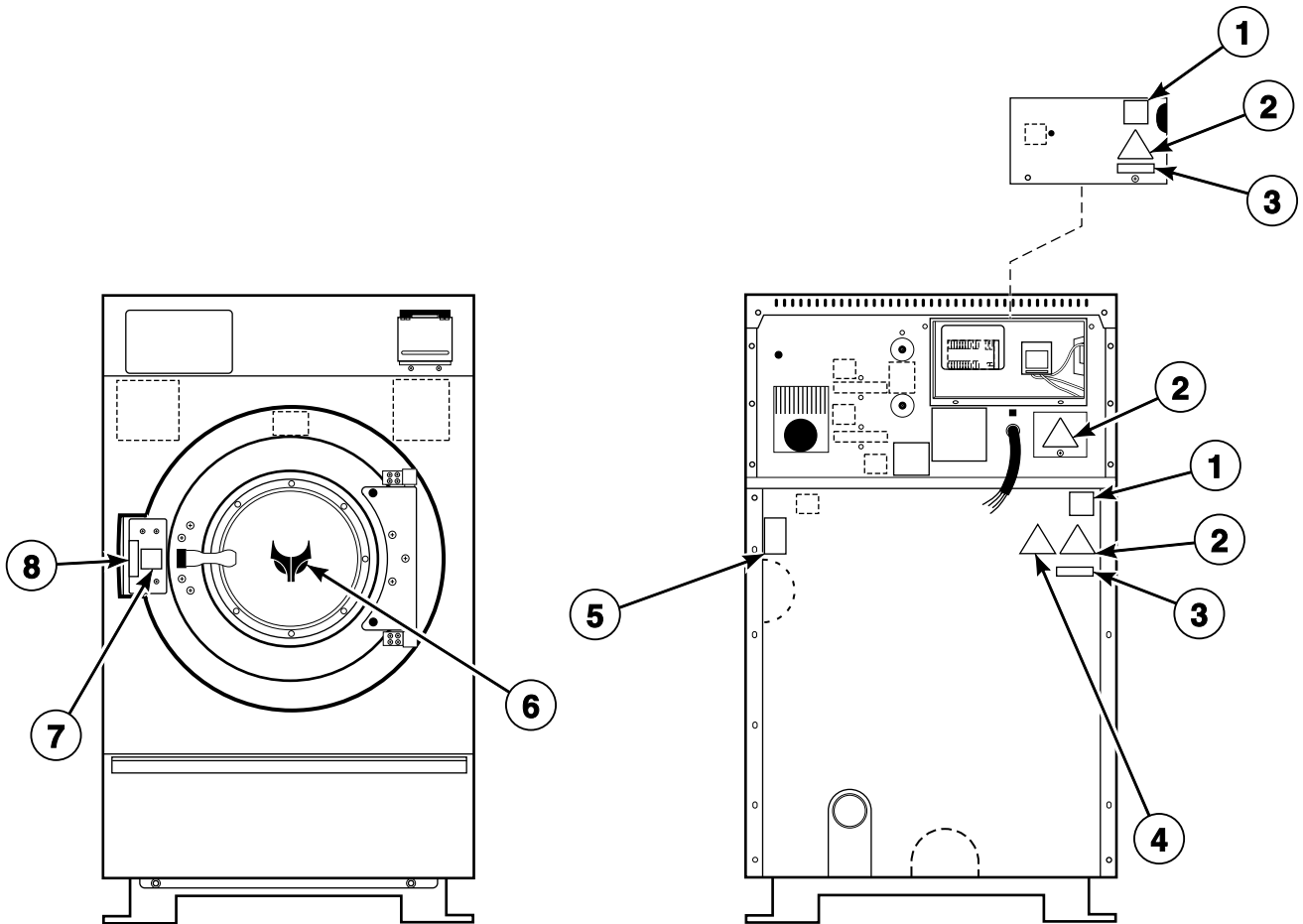


PHM2767P_C002874

Decals - Models through 8/31/09 (Drawing 1 of 2)

REF	PART NO.	DESCRIPTION	COMMENTS
1	F200085100	Spin Warning Decal	Models CP040PHN1, CP040PHQ1, CP040PMN1, CP040PMQ1, CP060PHN1, CP060PHQ1, CP060PMN1, CP060PMQ1, IP040PHN1, IP040PHQ1, IP040PMN1, IP040PMQ1, IP060PHN1, IP060PHQ1, IP060PMN1, IP060PMQ1, JP040PHN1, JP040PHQ1, JP060PHN1, JP060PHQ1 and JP060PMQ1
2	F200085000R1	Hot Surface Warning Decal	Models CP040PHN1, CP040PHQ1, CP040PMN1, CP040PMQ1, CP060PHN1, CP060PHQ1, CP060PMN1, CP060PMQ1, IP040PHN1, IP040PHQ1, IP040PMN1, IP040PMQ1, IP060PHN1, IP060PHQ1, IP060PMN1 and IP060PMQ1
3	F200085300	Hot Water and Chemical Caution Decal	Models CP040PHN1, CP040PHQ1, CP040PMN1, CP040PMQ1, CP060PHN1, CP060PHQ1, CP060PMN1, CP060PMQ1, IP040PHN1, IP040PHQ1, IP040PMN1, IP040PMQ1, IP060PHN1, IP060PHQ1, IP060PMN1, IP060PMQ1, JP040PHN1, JP040PHQ1, JP060PHN1 and JP060PHQ1
4	F200318200R1	Cover Decal	
5	F230734	Water Line Caution Decal	Models CP040PHN1, CP040PHQ1, CP040PMN1, CP040PMQ1, CP060PHN1, CP060PHQ1, CP060PMN1, CP060PMQ1, IP040PHN1, IP040PHQ1, IP040PMN1, IP040PMQ1, IP060PHN1, IP060PHQ1, IP060PMN1, IP060PMQ1, JP040PHN1, JP040PHQ1, JP060PHN1, JP060PHQ1 and JP060PMQ1
6	F0231367-00R3	Hot Water Valve Decal	
7	F0231368-00R4	Cold Water Valve Decal	
8	C000508R1	Bearing Lubrication Decal	
9	C000506	Supply Signal Decal	
10	F230917-1	External Supply Connection Decal	Models CP040PHN1, CP040PHQ1, CP040PMN1, CP040PMQ1, CP060PHN1, CP060PHQ1, CP060PMN1, CP060PMQ1, IP040PHN1, IP040PHQ1, IP040PMN1, IP040PMQ1, IP060PHN1, IP060PHQ1, IP060PMN1, IP060PMQ1, JP040PHN1, JP040PHQ1, JP060PHN1, JP060PHQ1 and JP060PMQ1

Decals - Models through 8/31/09 (Drawing 2 of 2)



PHM2767PA_C002874

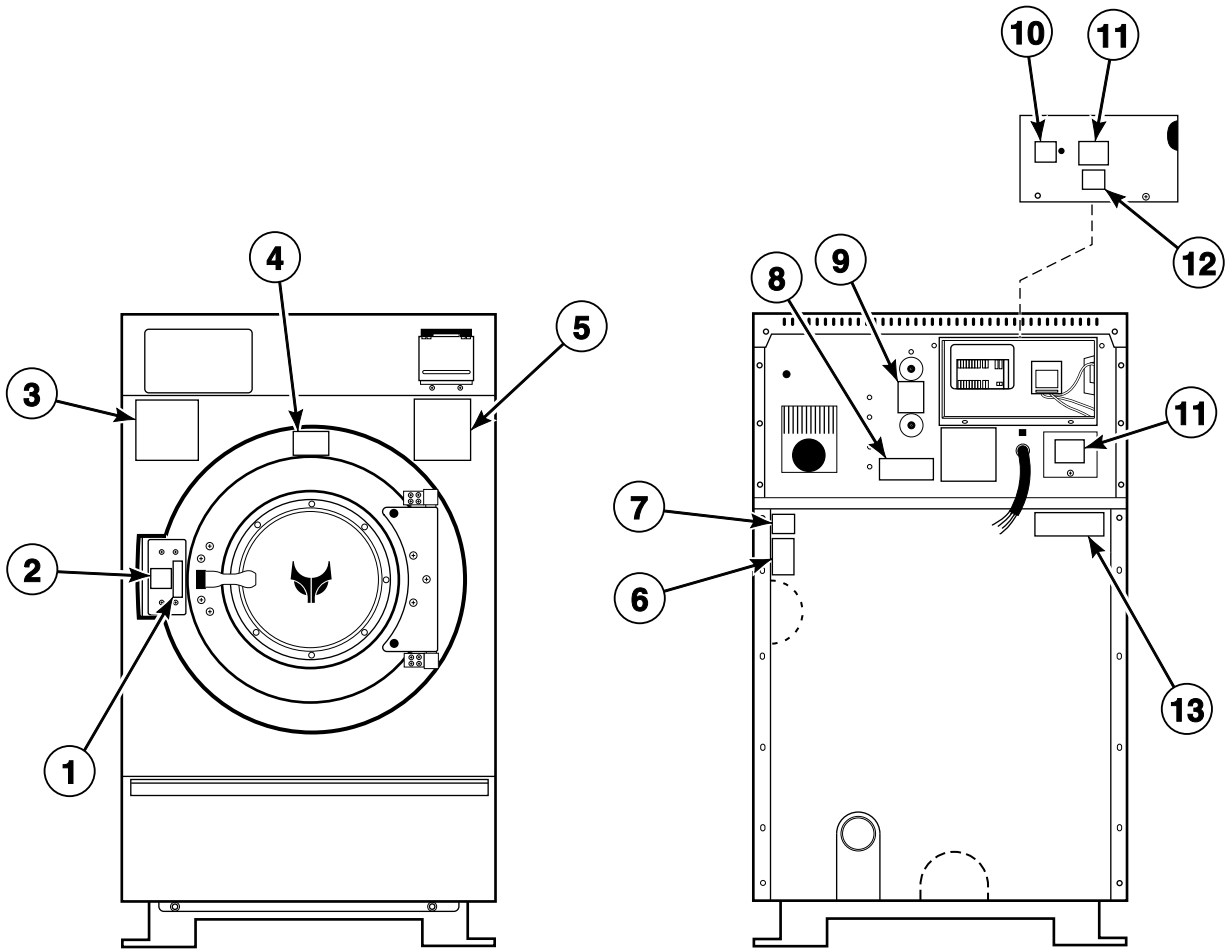
Decals - Models through 8/31/09 (Drawing 2 of 2)

REF	PART NO.	DESCRIPTION	COMMENTS
1	F200318200R1	Cover Decal	Models CP040PHN1, CP040PHQ1, CP040PMN1, CP040PMQ1, CP060PHN1, CP060PHQ1, CP060PMN1, CP060PMQ1, IP040PHN1, IP040PHQ1, IP040PMN1, IP040PMQ1, IP060PHN1, IP060PHQ1, IP060PMN1 and IP060PMQ1
2	D502511R3	Electrical Shock Label	Models CP040PHN1, CP040PHQ1, CP040PMN1, CP040PMQ1, CP060PHN1, CP060PHQ1, CP060PMN1, CP060PMQ1, IP040PHN1, IP040PHQ1, IP040PMN1, IP040PMQ1, IP060PHN1, IP060PHQ1, IP060PMN1, IP060PMQ1, JP040PHN1, JP040PHQ1, JP060PHN1, JP060PHQ1 and JP060PMQ1
3	D500049R4	Warning Label	Models CP040PHN1, CP040PHQ1, CP040PMN1, CP040PMQ1, CP060PHN1, CP060PHQ1, CP060PMN1, CP060PMQ1, IP040PHN1, IP040PHQ1, IP040PMN1, IP040PMQ1, IP060PHN1, IP060PHQ1, IP060PMN1, IP060PMQ1, JP040PHN1, JP040PHQ1, JP060PHN1, JP060PHQ1 and JP060PMQ1
4	N/A	Crush Hazard Warning Decal	Models CPC40H, CPC40M, CPC60H, CPC60M, IPH40H, IPH40M, IPH60H, IPH60M, IPH180 and IPH270
	D502506R3	Pinched Fingers Label	Models CP040PHN1, CP040PHQ1, CP040PMN1, CP040PMQ1, CP060PHN1, CP060PHQ1, CP060PMN1, CP060PMQ1, IP040PHN1, IP040PHQ1, IP040PMN1, IP040PMQ1, IP060PHN1, IP060PHQ1, IP060PMN1, IP060PMQ1, JP040PHN1, JP040PHQ1, JP060PHN1, JP060PHQ1 and JP060PMQ1
5	F200085000R1	Hot Surface Warning Decal	Models CPC40H, CPC40M, CPC60H, CPC60M, IPH40H, IPH40M, IPH60H, IPH60M, IPH180 and IPH270
	F231380	Hot Surface Warning Decal	Models CP040PHN1, CP040PHQ1, CP040PMN1, CP040PMQ1, CP060PHN1, CP060PHQ1, CP060PMN1, CP060PMQ1, IP040PHN1, IP040PHQ1, IP040PMN1, IP040PMQ1, IP060PHN1, IP060PHQ1, IP060PMN1, IP060PMQ1, JP040PHN1, JP040PHQ1, JP060PHN1, JP060PHQ1 and JP060PMQ1
6	C001038	Logo Decal	Models IP040PHN1, IP040PHQ1, IP040PMN1, IP040PMQ1, IP060PHN1, IP060PHQ1, IP060PMN1, IP060PMQ1, IPH40H, IPH40M, IPH60H, IPH60M, IPH180 and IPH270
7	C000694	Door Release Decal	
8	F230303R2	Push Decal	Models CP040PHN1, CP040PHQ1, CP040PMN1, CP040PMQ1, CP060PHN1, CP060PHQ1, CP060PMN1, CP060PMQ1, IP040PHN1, IP040PHQ1, IP040PMN1, IP040PMQ1, IP060PHN1, IP060PHQ1, IP060PMN1, IP060PMQ1, JP040PHN1, JP040PHQ1, JP060PHN1, JP060PHQ1 and JP060PMQ1

N/A = Part no longer available

Decals - Models starting 9/1/09

Models CP040PHN1, CP040PHQ1, CP040PHX2, CP040PMN1, CP040PMQ1, CP040PMX2, CP060PHN1, CP060PHN2, CP060PHQ1, CP060PHQ2, CP060PHX1, CP060PHX2, CP060PMN1, CP060PMQ1, CP060PMX2, IP040PHN1, IP040PHN2, IP040PHQ1, IP040PHX2, IP040PMN1, IP040PMQ1, IP040PMX2, IP060PHN1, IP060PHN2, IP060PHQ1, IP060PHQ2, IP060PHX2, IP060PMN1, IP060PMN2, IP060PMQ1, IP060PMX2, JP040PHN1, JP040PHQ1, JP060PHN1, JP060PHN2, JP060PHQ1 and JP060PMQ1



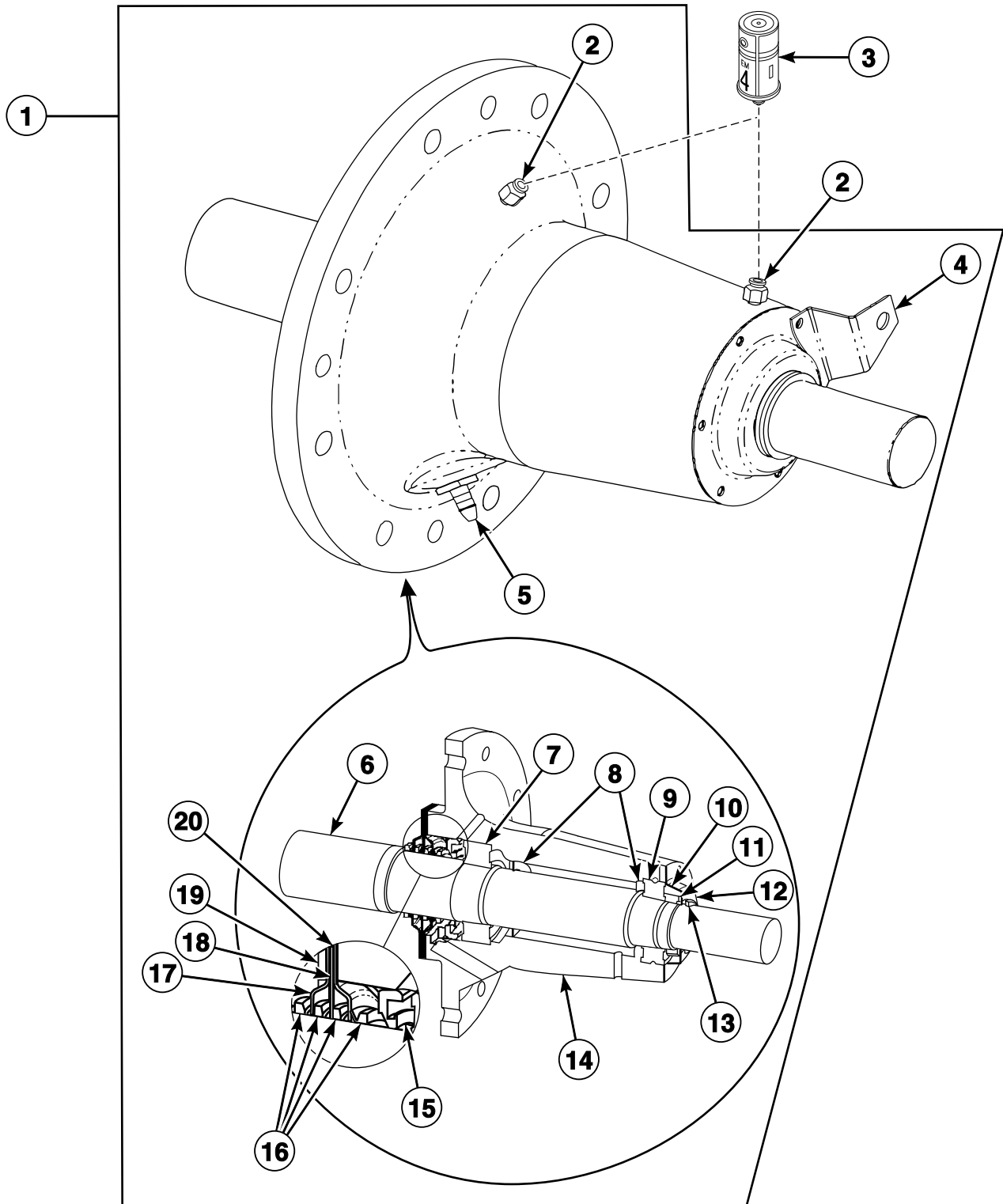
PHM3089P_C002874

Decals - Models starting 9/1/09

REF	PART NO.	DESCRIPTION	COMMENTS
1	C000694	Door Release Decal	
2	F230303R2	Push Decal	
3	F200085100	Spin Warning Decal	All models except JP040PHQ1, JP060PHQ1 and JP060PMQ1
4	F200085000 R1	Hot Surface Warning Decal	
5	F200085300	Hot Water and Chemical Caution Decal	
6	F8614301	Hot Surface Warning Label	Steam models only
7	F8246401	Mount On Concrete Warning Label	
8	F200061000	Clean Filter Daily Decal	
9	C000508R1	Bearing Lubrication Decal	
10	F8150201	External Supply Connection Decal	
11	F8233501	Warning Label	
12	F8115501	Electric Shock Danger Label	
13	44324001	Warning Label	

Bearing Housing Assembly (Drawing 1 of 6)

Models CPC40H, CPC60H, IPH40H and IPH60H
Models Through 3/23/04



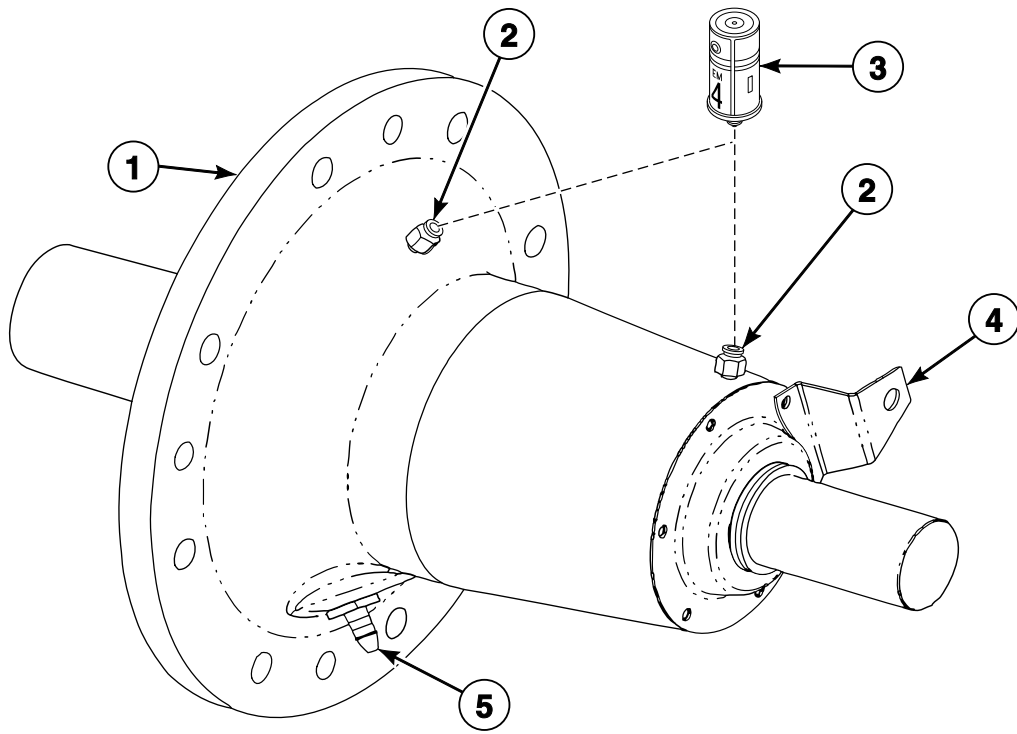
PHM2768P_C002874

Bearing Housing Assembly (Drawing 1 of 6)

REF	PART NO.	DESCRIPTION	COMMENTS
	C000147	Washer	8 required; Bearing housing to frame
	F430929	Screw	12 required; Front and rear seal plates to bearing housing
	C000571	Washer	12 required; Front and rear seal plates to bearing housing
	C001018	Screw	8 required; Bearing housing to frame; Models CPC40H and IPH40H
	C000145	Screw	8 required; Bearing housing to frame; Models CPC60H and IPH60H
	C002637P	Proximity Switch Assembly	1 required; Proximity switch on bearing housing
	C000552	Hose	25 inch; Weep hole fitting to drain line fitting
	C000628P	Tubing	2 required; 25 inch; Lube fittings to bearing housing
	F200201	Hose Clamp	2 required; Ship inside machine
	36801	Hose Clamp	1 required; Bearing weep hole "TEE"
1	C000058P	Bearing Housing Assembly	Includes items 2 and 4-20
2	J1408004	Connector	
3	212/00022/00P	Lubricator	Optional; Not installed
4	C000372	Mounting Bracket	
5	C001649	Reducing Connector	
6	C000068	Cylinder Shaft	
7	C000151	Carb Bearing	
8	C000064	Grease Shield	
9	C000152	Roller Bearing	
10	C000071	Washer	
11	C000063	Nut	
12	C000158	Seal Plate	
13	C000070	V-Ring Seal	
14	C000057	Bearing Housing	
15	C002959	Triple Lip Seal	
16	C000069	V-Ring Seal	
17	C000065	Seal Plate	
18	C000066	Seal Plate	
19	C001916	Plate	
20	C001704	Gasket	

Bearing Housing Assembly (Drawing 2 of 6)

Models CPC40H, CPC60H, IPH40H and IPH60H
Models Starting 3/23/04



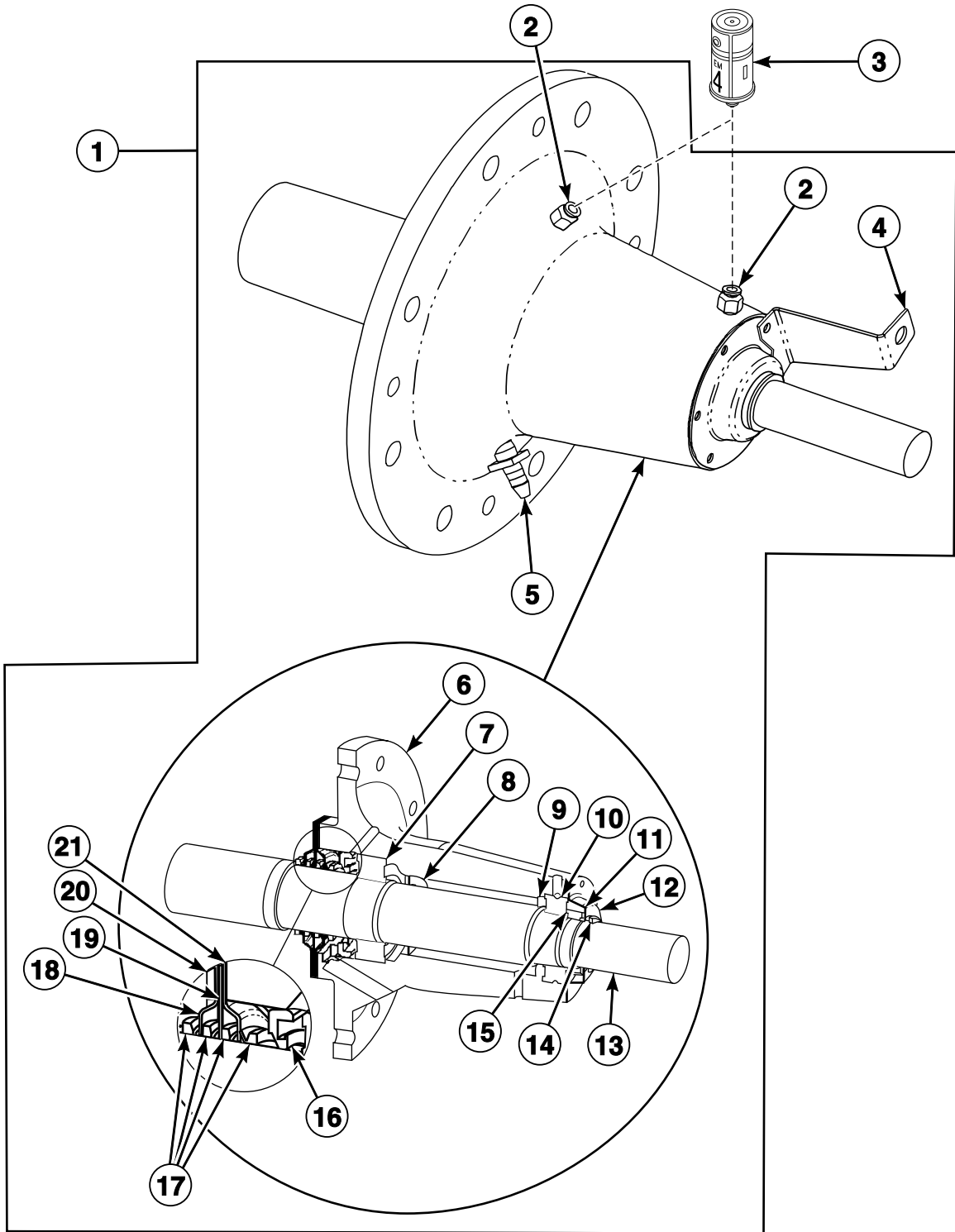
PHM2971P_C002874

Bearing Housing Assembly (Drawing 2 of 6)

REF	PART NO.	DESCRIPTION	COMMENTS
	C000147	Washer	8 required; Bearing housing to frame
	F430929	Screw	12 required; Front and rear seal plates to bearing housing
	C000571	Washer	12 required; Front and rear seal plates to bearing housing
	C001018	Screw	8 required; Bearing housing to frame; Models CPC40H and IPH40H
	C000145	Screw	8 required; Bearing housing to frame; Models CPC60H and IPH60H
	C002637P	Proximity Switch Assembly	1 required; Proximity switch on bearing housing
	C002959	Triple Lip Seal	
	C000552	Hose	25 inch; Weep hole fitting to drain line fitting
	C000628P	Tubing	2 required; 25 inch; Lube fittings to bearing housing
	36801	Hose Clamp	1 required; Bearing weep hole "TEE"
	1390P	Bearing Housing Puller Kit	Purchase
	1390-1	Bearing Housing Puller Kit	Rental; Requires C002023 Hardware Kit
	C002023	Hardware Kit	Use with Rental 1390-1 Bearing Housing Puller Kit
1	C000058P	Bearing Housing Assembly	Includes items 2 and 5; Standard seals
	C001364P	Bearing Housing Assembly	Includes items 2 and 5; Viton seals
2	J1408004	Connector	
3	212/00022/00P	Lubricator	Optional; Not installed
4	C000372	Mounting Bracket	
5	C001649	Reducing Connector	

Bearing Housing Assembly (Drawing 3 of 6)

Models CPC40M, CPC60M, IPH40M, IPH60M, IPH180 and IPH270
Models Through 3/23/04



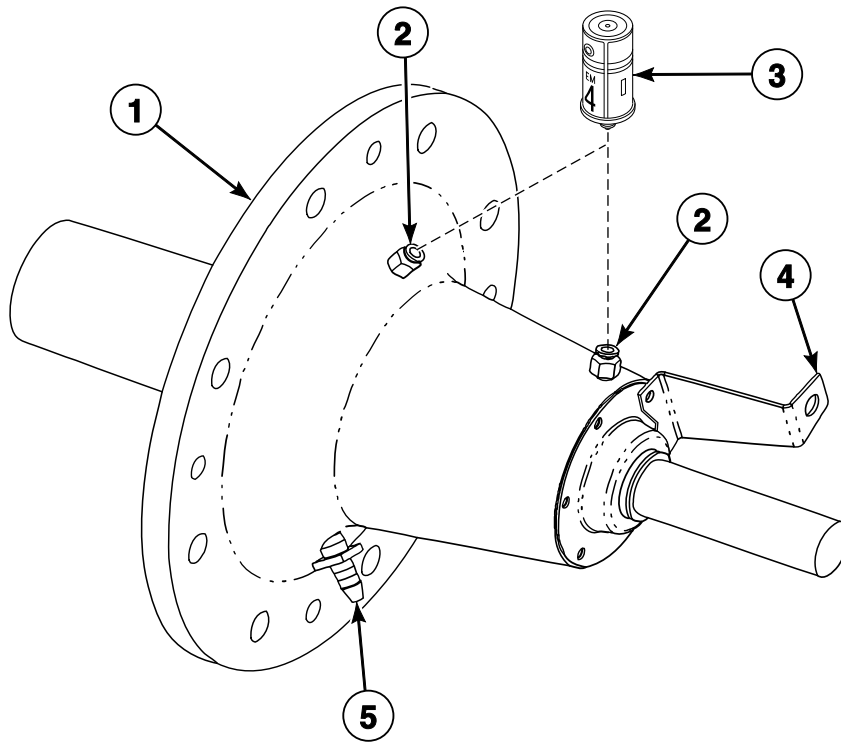
PHM2769P_C002874

Bearing Housing Assembly (Drawing 3 of 6)

REF	PART NO.	DESCRIPTION	COMMENTS
	C001019	Screw	8 required; Bearing housing to frame; Models CPC40M, IPH40M and IPH180
	C001018	Screw	8 required; Bearing housing to frame; Models CPC60M, IPH60M and IPH270
	C000147	Washer	16 required; Bearing housing to frame
	F430929	Screw	12 required; Front and rear seal plates to bearing housing
	C000571	Washer	12 required; Front and rear seal plates to bearing housing
	C002637P	Proximity Switch Assembly	1 required; Proximity switch on bearing housing
	C000552	Hose	25 inch; Weep hole fitting to drain line fitting
	C000628P	Tubing	2 required; 25 inch; Lube fittings to bearing housing
	36801	Hose Clamp	1 required; Bearing weep hole "TEE"
1	C000728P	Bearing Housing Assembly	Includes items 2 and 4-21
2	J1408004	Connector	
3	212/00022/00P	Lubricator	Optional; Not installed
4	C000372	Mounting Bracket	
5	C001649	Reducing Connector	
6	C000725	Bearing Housing	
7	C000485	Carb Bearing	
8	C000729	Front Grease Shield	
9	C000730	Rear Grease Shield	
10	C000486	Roller Bearing	
11	C000488	Washer	
12	C000727	Seal Plate	
13	C000726	Cylinder Shaft	
14	C000731	V-Ring Seal	
15	C000487	Nut	
16	C002959	Triple Lip Seal	
17	C000069	V-Ring Seal	
18	C000065	Seal Plate	
19	C000066	Seal Plate	
20	C001916	Plate	
21	C001704	Gasket	

Bearing Housing Assembly (Drawing 4 of 6)

Models CPC40M, CPC60M, IPH40M, IPH60M, IPH180 and IPH270
Models Starting 3/23/04



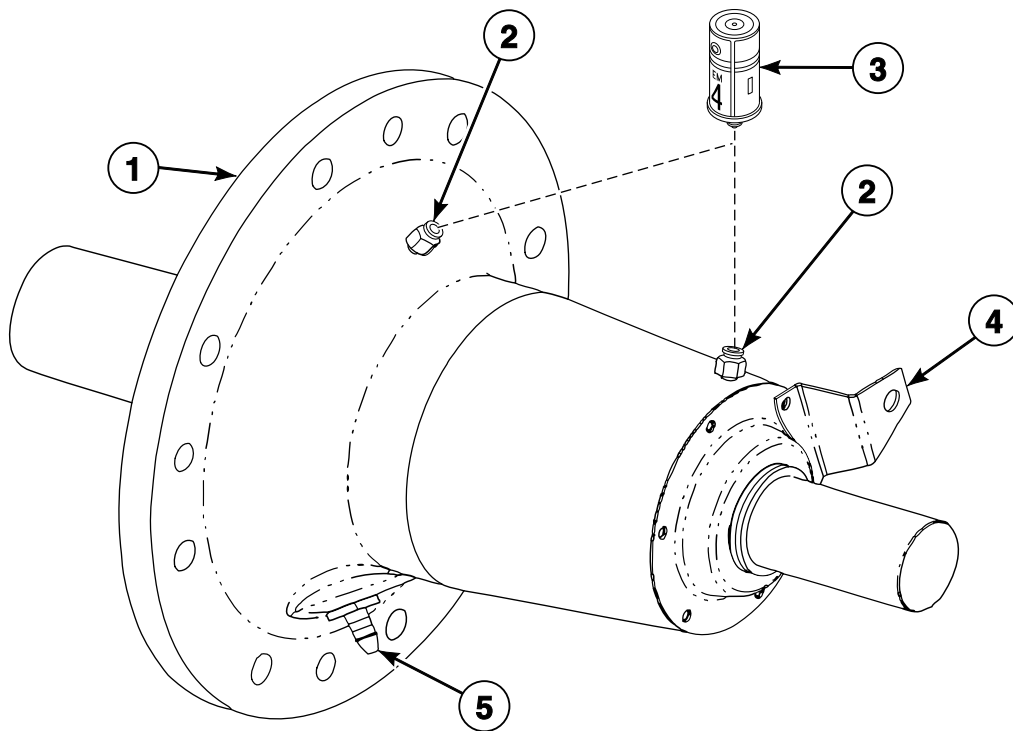
PHM2972P_C002874

Bearing Housing Assembly (Drawing 4 of 6)

REF	PART NO.	DESCRIPTION	COMMENTS
	C001019	Screw	8 required; Bearing housing to frame; Models CPC40M, IPH40M and IPH180
	C001018	Screw	8 required; Bearing housing to frame; Models CPC60M, IPH60M and IPH270
	C000147	Washer	16 required; Bearing housing to frame
	F430929	Screw	12 required; Front and rear seal plates to bearing housing
	C000571	Washer	12 required; Front and rear seal plates to bearing housing
	C002637P	Proximity Switch Assembly	1 required; Proximity switch on bearing housing
	C002959	Triple Lip Seal	
	C000552	Hose	25 inch; Weep hole fitting to drain line fitting
	C000628P	Tubing	2 required; 25 inch; Lube fittings to bearing housing
	36801	Hose Clamp	1 required; Bearing weep hole "TEE"
	1390P	Bearing Housing Puller Kit	Purchase
	1390-1	Bearing Housing Puller Kit	Rental; Requires C002023 Hardware Kit
	C002023	Hardware Kit	Use with Rental 1390-1 Bearing Housing Puller Kit
1	C000728P	Bearing Housing Assembly	Includes items 2 and 5; Standard seals
2	J1408004	Connector	
3	212/00022/00P	Lubricator	Optional; Not installed
4	C001037	Mounting Bracket	
5	C001649	Reducing Connector	

Bearing Housing Assembly (Drawing 5 of 6)

Models CP040PHN1, CP040PHQ1, CP040PHX2, CP060PHN1, CP060PHN2, CP060PHQ1, CP060PHQ2, CP060PHX1, CP060PHX2, IP040PHN1, IP040PHN2, IP040PHQ1, IP040PHX2, IP060PHN1, IP060PHN2, IP060PHQ1, IP060PHQ2, IP060PHX2, IPH270, JP040PHN1, JP040PHQ1, JP060PHN1, JP060PHN2 and JP060PHQ1



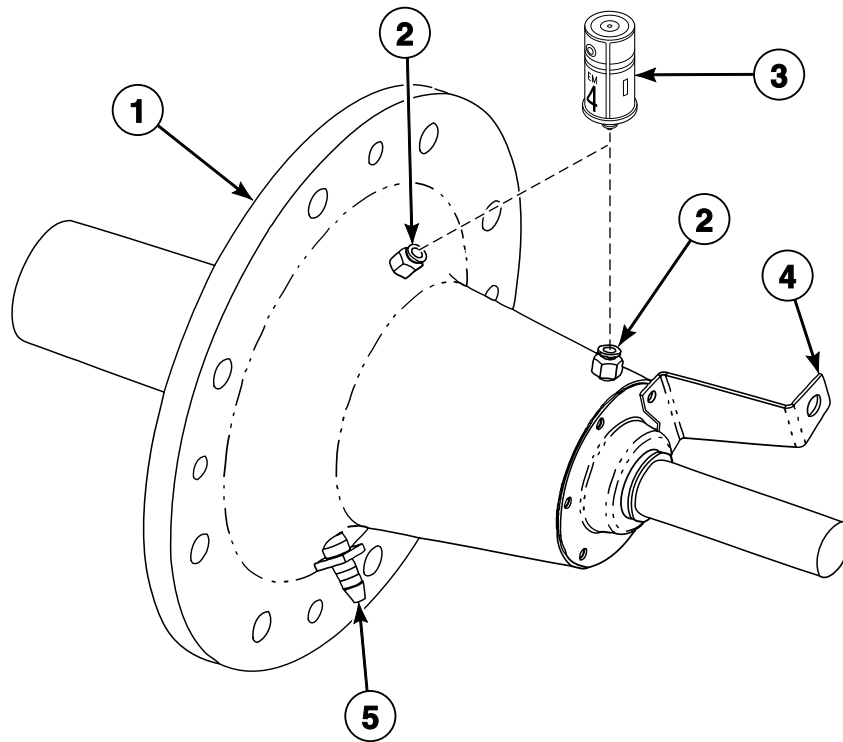
PHM2971P_C002874

Bearing Housing Assembly (Drawing 5 of 6)

REF	PART NO.	DESCRIPTION	COMMENTS
	C000147	Washer	8 required; Bearing housing to frame
	F430929	Screw	12 required; Front and rear seal plates to bearing housing
	C000571	Washer	12 required; Front and rear seal plates to bearing housing
	C001018	Screw	8 required; Bearing housing to frame; Models CP040PHN1, CP040PHQ1, IP040PHN1, IP040PHQ1 and JP040PHN1
	C000145	Screw	8 required; Bearing housing to frame; Models CP060PHN1, CP060PHN2, CP060PHQ1, CP060PHQ2, CP060PHX1, CP060PHX2, IP060PHN1, IP060PHN2, IP060PHQ1, IP060PHQ2 and JP060PHQ1
	C002637P	Proximity Switch Assembly	1 required; Proximity switch on bearing housing
	C002959	Triple Lip Seal	
	C000552	Hose	25 inch; Weep hole fitting to drain line fitting
	C000628P	Tubing	2 required; 25 inch; Lube fittings to bearing housing
	F200201	Hose Clamp	2 required; Ship inside machine; Models through 3/23/04
	36801	Hose Clamp	1 required; Bearing weep hole "TEE"
	1390P	Bearing Housing Puller Kit	Purchase
	1390-1	Bearing Housing Puller Kit	Rental; Requires C002023 Hardware Kit
	C002023	Hardware Kit	Use with Rental 1390-1 Bearing Housing Puller Kit
1	C000058P	Bearing Housing Assembly	Includes items 2 and 5; Standard seals
	C001364P	Bearing Housing Assembly	Includes items 2 and 5; Viton seals
2	J1408004	Connector	
3	212/00022/00P	Lubricator	Optional; Not installed
4	C000372	Mounting Bracket	
5	C001649	Reducing Connector	

Bearing Housing Assembly (Drawing 6 of 6)

Models CP040PMN1, CP040PMQ1, CP040PMX2, CP060PMN1, CP060PMQ1,
CP060PMX2, IP040PMN1, IP040PMQ1, IP040PMX2, IP060PMN1, IP060PMN2,
IP060PMQ1, IP060PMX2, IPH270 and JP060PMQ1



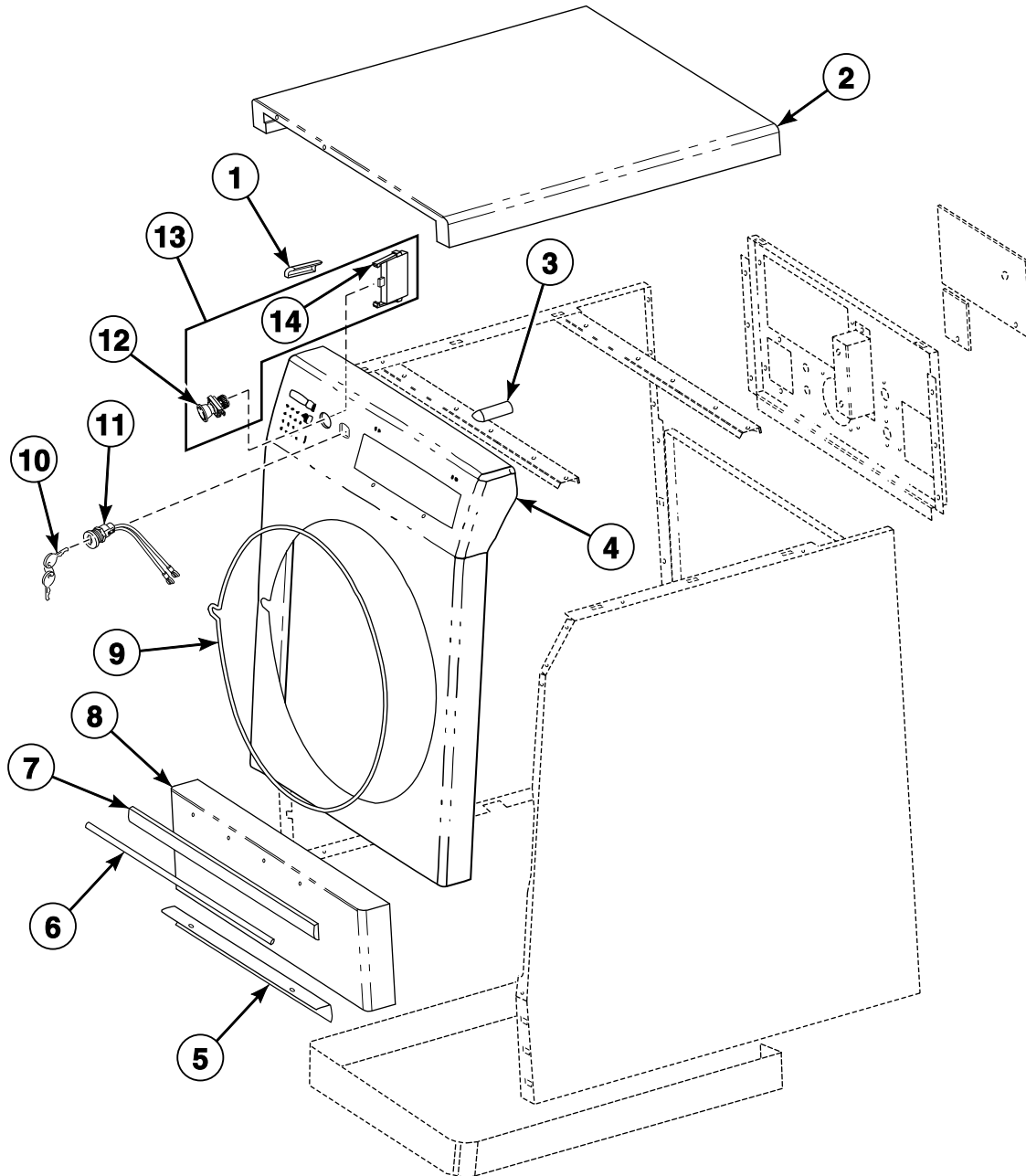
PHM2972P_C002874

Bearing Housing Assembly (Drawing 6 of 6)

REF	PART NO.	DESCRIPTION	COMMENTS
	C001019	Screw	8 required; Bearing housing to frame; Models CP040PMN1, CP040PMQ1, IP040PMN1 and IP040PMQ1
	C001018	Screw	8 required; Bearing housing to frame; Models CP060PMN1, CP060PMQ1, IP060PMN1, IP060PMQ1, IPH270 and JP060PMQ1
	C000147	Washer	16 required; Bearing housing to frame
	F430929	Screw	12 required; Front and rear seal plates to bearing housing
	C000571	Washer	12 required; Front and rear seal plates to bearing housing
	C002637P	Proximity Switch Assembly	1 required; Proximity switch on bearing housing
	C002959	Triple Lip Seal	
	C000552	Hose	25 inch; Weep hole fitting to drain line fitting
	C000628P	Tubing	2 required; 25 inch; Lube fittings to bearing housing
	36801	Hose Clamp	1 required; Bearing weep hole "TEE"
	1390P	Bearing Housing Puller Kit	Purchase
	1390-1	Bearing Housing Puller Kit	Rental; Requires C002023 Hardware Kit
	C002023	Hardware Kit	Use with Rental 1390-1 Bearing Housing Puller Kit
1	C000728P	Bearing Housing Assembly	Includes items 2 and 5; Standard seals
	C002032P	Bearing Housing Assembly	Includes items 2 and 5; Viton seals
2	J1408004	Connector	
3	212/00022/00P	Lubricator	Optional; Not installed
4	C001037	Mounting Bracket	
5	C001649	Reducing Connector	

Top and Front Panels (Drawing 1 of 2)

Models CP040PHN1, CP040PHQ1, CP040PHX2, CP040PMN1, CP040PMQ1, CP040PMX2, CPC40H, CPC40M, IP040PHN1, IP040PHN2, IP040PHQ1, IP040PHX2, IP040PMN1, IP040PMQ1, IP040PMX2, IPH40H, IPH40M, IPH180, JP040PHN1 and JP040PHQ1



PHM2945P_C002874

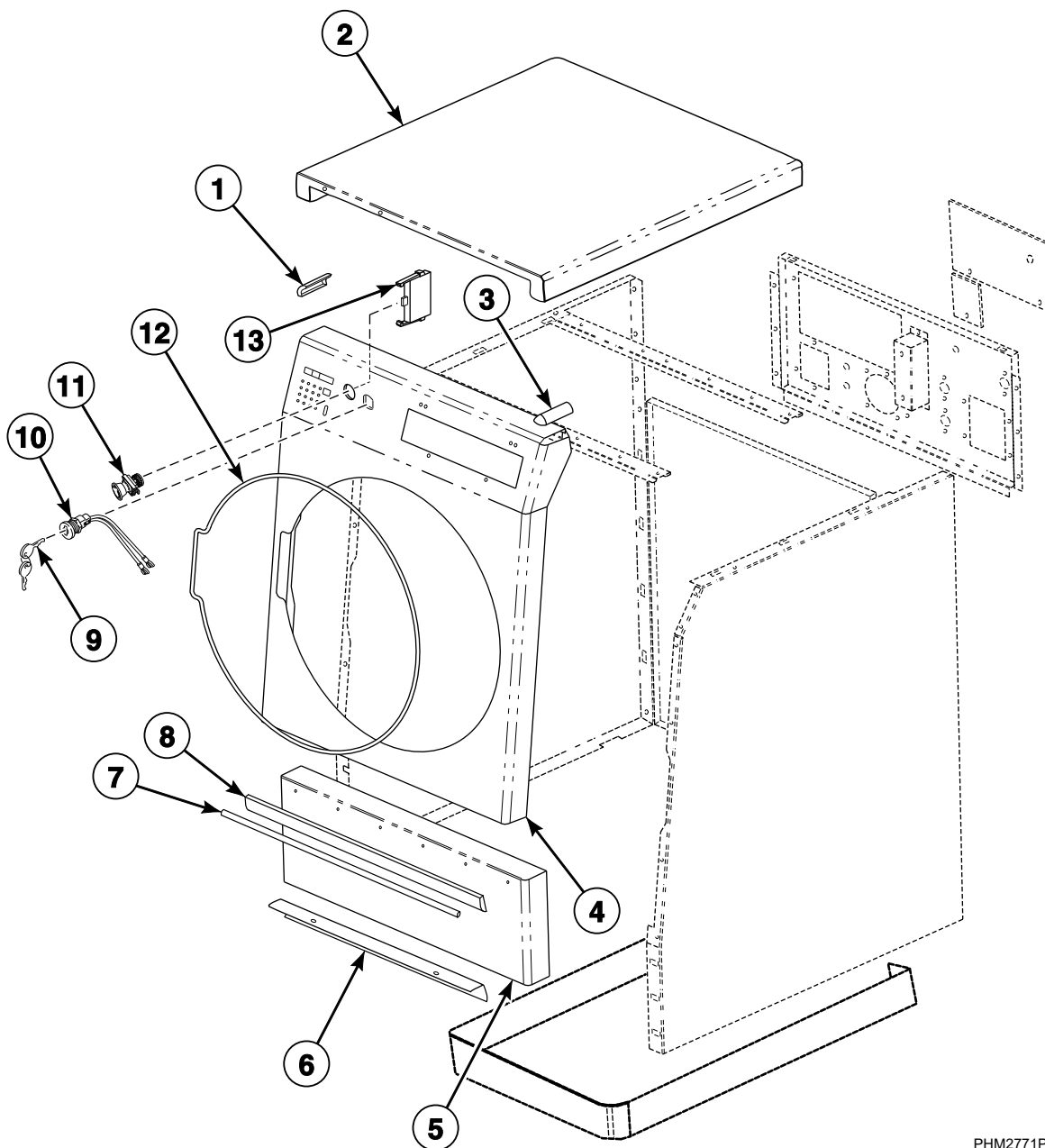
Top and Front Panels (Drawing 1 of 2)

REF	PART NO.	DESCRIPTION	COMMENTS
	C000567	Screw	2 required for top panel to valve panel; 12 required for front panel to side panel; 2 required for lower front panel to frame; 4 or 5 required for front electrical mounting bracket to side panel
	F431024	Nut	4 required for front panel to side panel; 4 or 5 required for front electrical mounting bracket to side panel
	N/A	Nut	2 required for top panel to valve panel; 2 required for lower front panel to frame
	C000571	Washer	2 required for top panel to valve panel; 2 required for lower front panel to frame
	C000585	Washer	2 required for lower front panel to frame
	F430910	Screw	6 required for rub rails to lower front panel; Models starting 3/23/04
	C000568	Nut	6 required for rub rails to lower front panel; Models starting 3/23/04
1	C000483	Control Panel Insert	
2	C000513P	Top Panel	
3	C000484	Control Panel Insert	
4	C002967P	Front Panel Assembly	5 compartment
	C002966	Front Panel Assembly	1 compartment
5	C002984	Lower Front Adjustment Bracket Assembly	Models starting 3/23/04
6	C001013	Insert Rail	Models starting 3/23/04
7	C001012	Rub Rail	Vinyl; Models starting 3/23/04
8	N/A	Lower Front Panel	Models through 3/23/04
	C001246	Front Panel	Models starting 3/23/04
9	C000629	Trim Gasket	Black; 10 feet; Models starting 3/23/04
10	1242	Programming Key	
11	C003024P	Keymode Switch Assembly	
12	F200233500	Emergency Stop Pushbutton	
13	F200233700P	Emergency Stop Button Kit	Includes items 12 and 14
14	F200233401P	Contact Block Switch	Includes F8069501 Contact Switch and F8538101 Contact Base
	F8069501	Contact Switch	
	F8538101	Contact Base	

N/A = Part no longer available

Top and Front Panels (Drawing 2 of 2)

Models CP060PHN1, CP060PHN2, CP060PHQ1, CP060PHQ2, CP060PHX1, CP060PHX2, CP060PMN1, CP060PMQ1, CP060PMX2, CPC60H, CPC60M, IP060PHN1, IP060PHN2, IP060PHQ1, IP060PHQ2, IP060PHX2, IP060PMN1, IP060PMN2, IP060PMQ1, IP060PMX2, IPH60H, IPH60M, IPH270, JP060PHN1, JP060PHN2, JP060PHQ1 and JP060PMQ1



PHM2771P_C002874

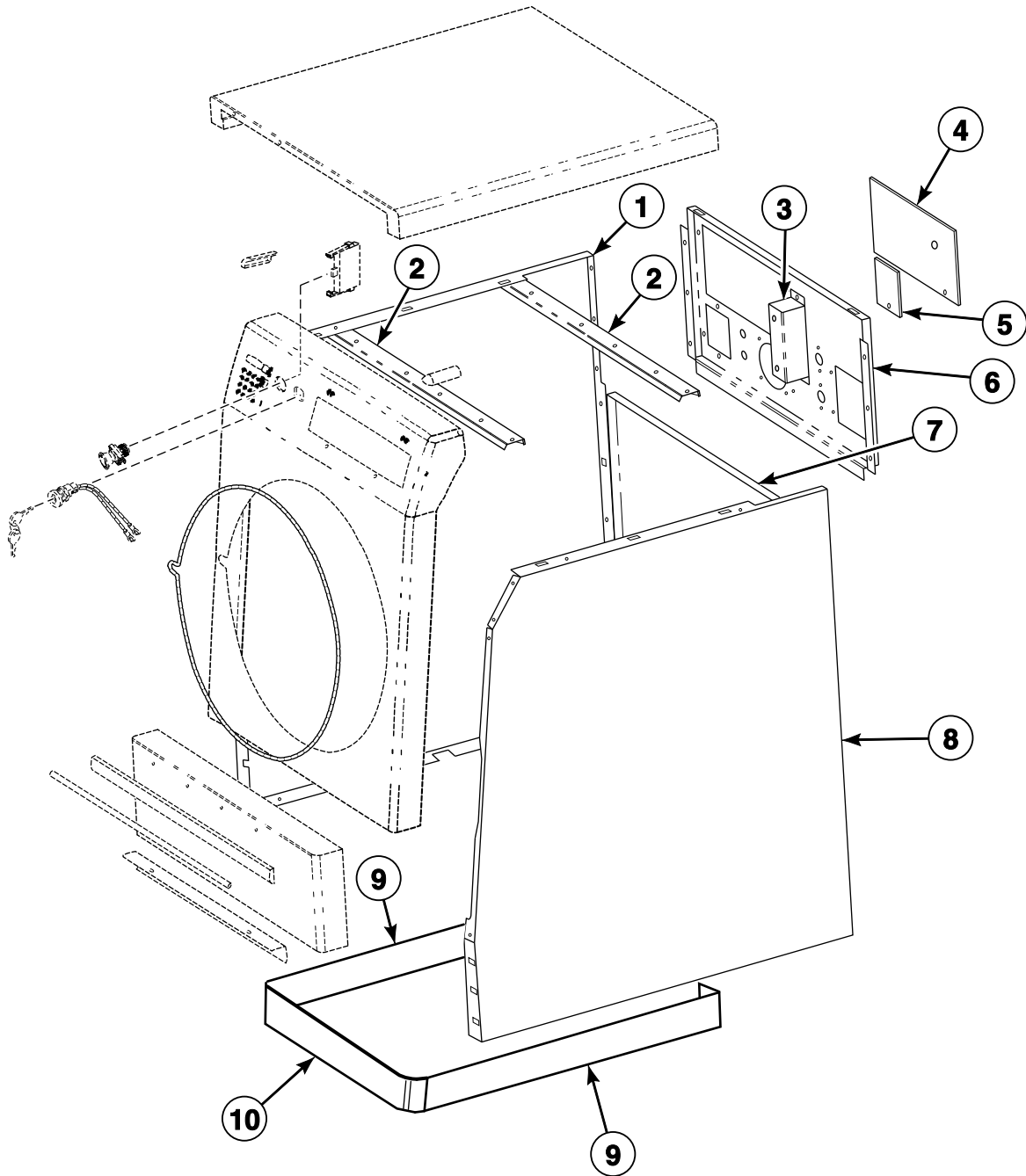
Top and Front Panels (Drawing 2 of 2)

REF	PART NO.	DESCRIPTION	COMMENTS
	C000567	Screw	2 required for top panel to valve panel; 12 required for front panel to side panel; 2 required for lower front panel to frame; 4 or 5 required for front electrical mounting bracket to side panel
	F431024	Nut	4 required for front panel to side panel; 4 or 5 required for front electrical mounting bracket to side panel
	N/A	Nut	2 required for top panel to valve panel; 2 required for lower front panel to frame
	C000571	Washer	2 required for top panel to valve panel; 2 required for lower front panel to frame
	C000585	Washer	2 required for lower front panel to frame
	F430910	Screw	6 required for rub rails to lower front panel
	C000568	Nut	6 required for rub rails to lower front panel
1	C000484	Control Panel Insert	
2	C000050	Top Panel	
3	C000483	Control Panel Insert	
4	C002968	Front Panel Assembly	1 compartment
	C002969	Front Panel Assembly	5 compartment
5	N/A	Lower Front Panel	Models through 3/23/04
	C001248	Front Panel	Models starting 3/23/04
6	C002985	Lower Front Adjustment Bracket Assembly	Models starting 3/23/04
7	C000636	Insert Rail	
8	C000633	Rub Rail	Vinyl
9	1242	Programming Key	
10	C003024P	Keymode Switch Assembly	
11	F200233500	Emergency Stop Pushbutton	
12	C000629	Trim Gasket	Black; 11 feet; Models starting 3/23/04
13	F200233401P	Contact Block Switch	

N/A = Part no longer available

Rear, Side and Valve Panels (Drawing 1 of 2)

Models CP040PHN1, CP040PHQ1, CP040PHX2, CP040PMN1, CP040PMQ1, CP040PMX2, CPC40H, CPC40M, IP040PHN1, IP040PHN2, IP040PHQ1, IP040PHX2, IP040PMN1, IP040PMQ1, IP040PMX2, IPH40H, IPH40M, IPH180, JP040PHN1 and JP040PHQ1



PHM2770PA_C002874

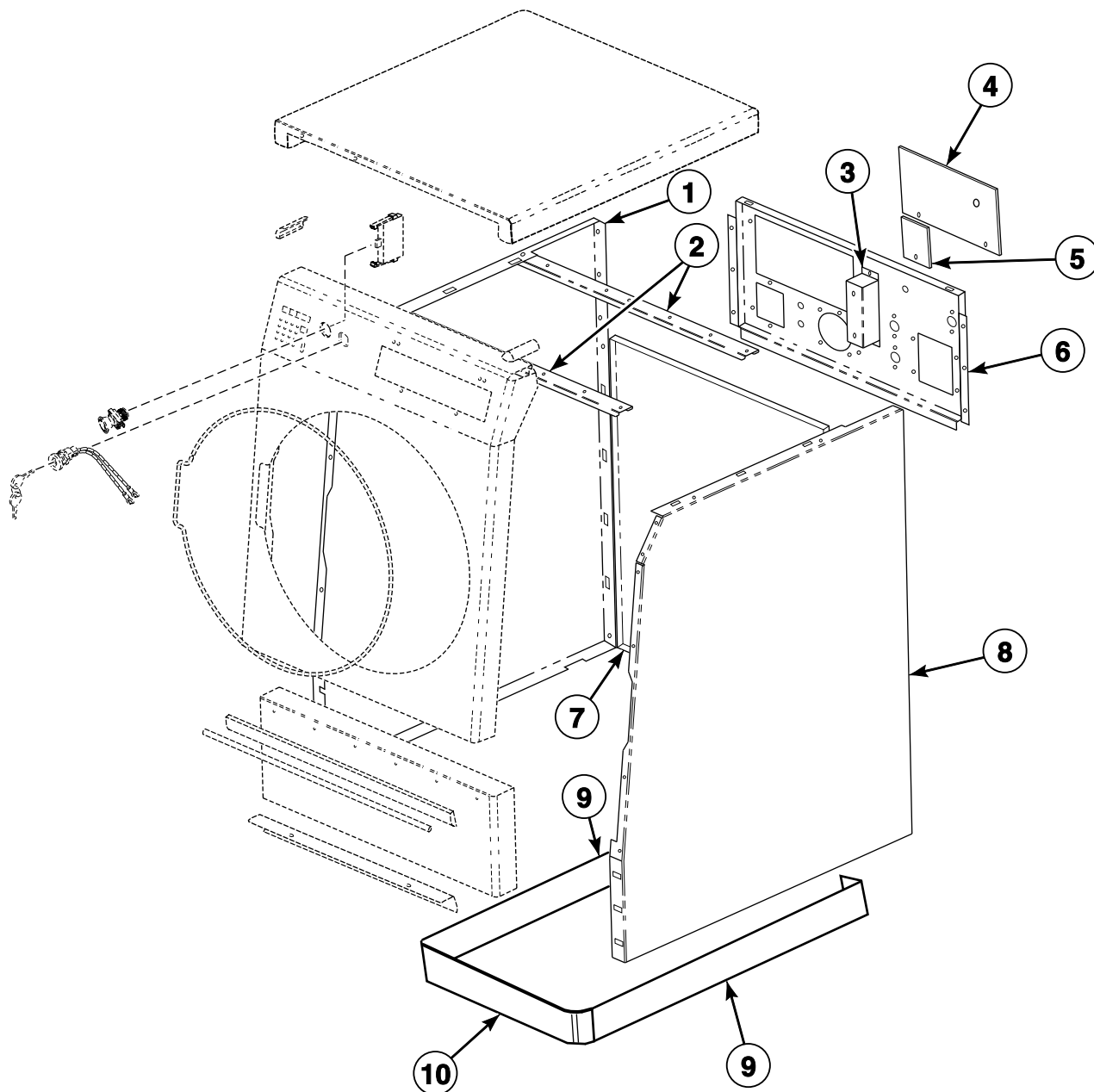
Rear, Side and Valve Panels (Drawing 1 of 2)

REF	PART NO.	DESCRIPTION	COMMENTS
	C000567	Screw	6 required for valve panel to side panel; 2 required for top panel to valve panel; 12 required for front panel to side panel; 6 required for side panel to frame; 4 required for rear cover to side panel; 4 or 5 required for front electrical mounting bracket to side panel; 2 required for grease box to valve panel
	F431024	Nut	6 required for valve panel to side panel; 4 required for front panel to side panel; 4 or 5 required for front electrical mounting bracket to side panel; 2 required for grease box to valve panel
	N/A	Nut	2 required for top panel to valve panel; 6 required for side panel to frame; 2 required for rear electrical cover to valve panel
	C000571	Washer	2 required for top panel to valve panel; 6 required for side panel to frame; 4 required for rear cover to side panel
	C000585	Washer	6 required for side panel to frame
	F430929	Screw	2 required for rear electrical cover to valve panel; 1 required for inlet power cover to valve panel
1	C002696	Side Panel and Stiffener Assembly	
2	C000533	Front Electrical Enclosure Rail	
3	C000539	Grease Connector Box	
4	C000173	Rear Electrical Enclosure Cover	
5	N/A	Inlet Power Cover	Models through 3/23/04
	C001257	Inlet Power Cover	Models starting 3/23/04
6	C002979	Valve Panel Assembly	
7	C000525	Rear Panel	
8	C002695	Side Panel and Stiffener Assembly	
9	N/A	Side Skirt Panel	Models through 3/23/04
10	C000530	Front Skirt Panel	Models through 3/23/04

N/A = Part no longer available

Rear, Side and Valve Panels (Drawing 2 of 2)

Models CP060PHN1, CP060PHN2, CP060PHQ1, CP060PHQ2, CP060PHX1, CP060PHX2, CP060PMN1, CP060PMQ1, CP060PMX2, CPC60H, CPC60M, IP060PHN1, IP060PHN2, IP060PHQ1, IP060PHQ2, IP060PHX2, IP060PMN1, IP060PMN2, IP060PMQ1, IP060PMX2, IPH60H, IPH60M, IPH270, JP060PHN1, JP060PHN2, JP060PHQ1 and JP060PMQ1



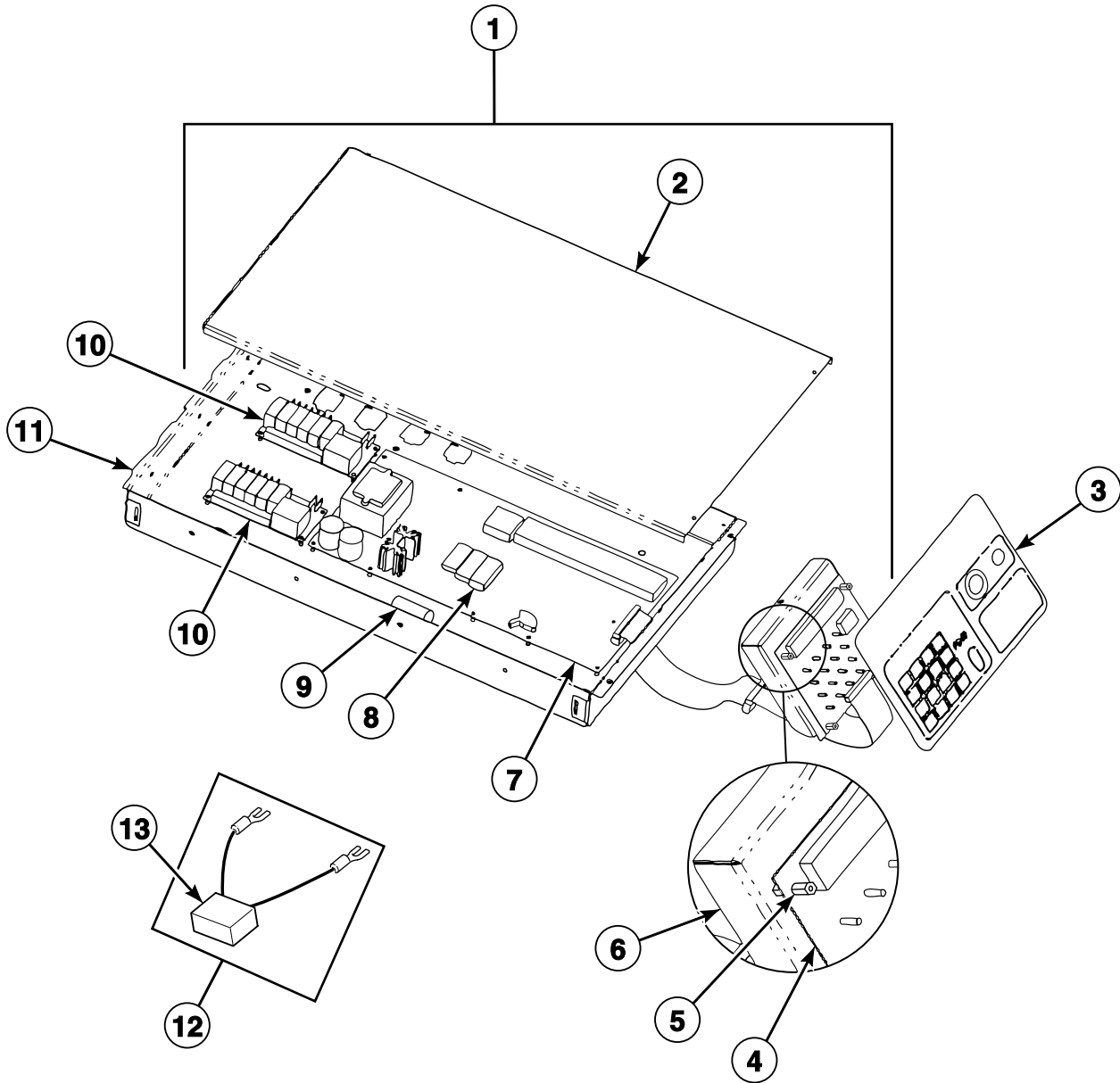
PHM2771PA_C002874

Rear, Side and Valve Panels (Drawing 2 of 2)

REF	PART NO.	DESCRIPTION	COMMENTS
	C000567	Screw	6 required for valve panel to side panel; 2 required for top panel to valve panel; 12 required for front panel to side panel; 6 required for side panel to frame; 4 required for rear cover to side panel; 4 or 5 required for front electrical mounting bracket to side panel; 2 required for grease box to valve panel
	F431024	Nut	6 required for valve panel to side panel; 4 required for front panel to side panel; 4 or 5 required for front electrical mounting bracket to side panel; 2 required for grease box to valve panel
	N/A	Nut	2 required for top panel to valve panel; 6 required for side panel to frame; 2 required for rear electrical cover to valve panel
	C000571	Washer	2 required for top panel to valve panel; 6 required for side panel to frame; 4 required for rear cover to side panel
	C000585	Washer	6 required for side panel to frame
	F430929	Screw	2 required for rear electrical cover to valve panel; 1 required for inlet power cover to valve panel
1	C002708	Side Panel and Stiffener Assembly	Right
2	C000218	Front Electrical Enclosure Rail	
3	C000539	Grease Connector Box	
4	C000173	Rear Electrical Enclosure Cover	
5	N/A	Inlet Power Cover	Models through 3/23/04
	C001257	Inlet Power Cover	Models starting 3/23/04
6	C002980	Valve Panel Assembly	
7	C000051	Rear Panel	
8	C002707	Side Panel and Stiffener Assembly	Left
9	N/A	Side Skirt Panel	Models through 3/23/04
10	C000314	Front Skirt Panel	Models through 3/23/04

N/A = Part no longer available

Control Box Assembly



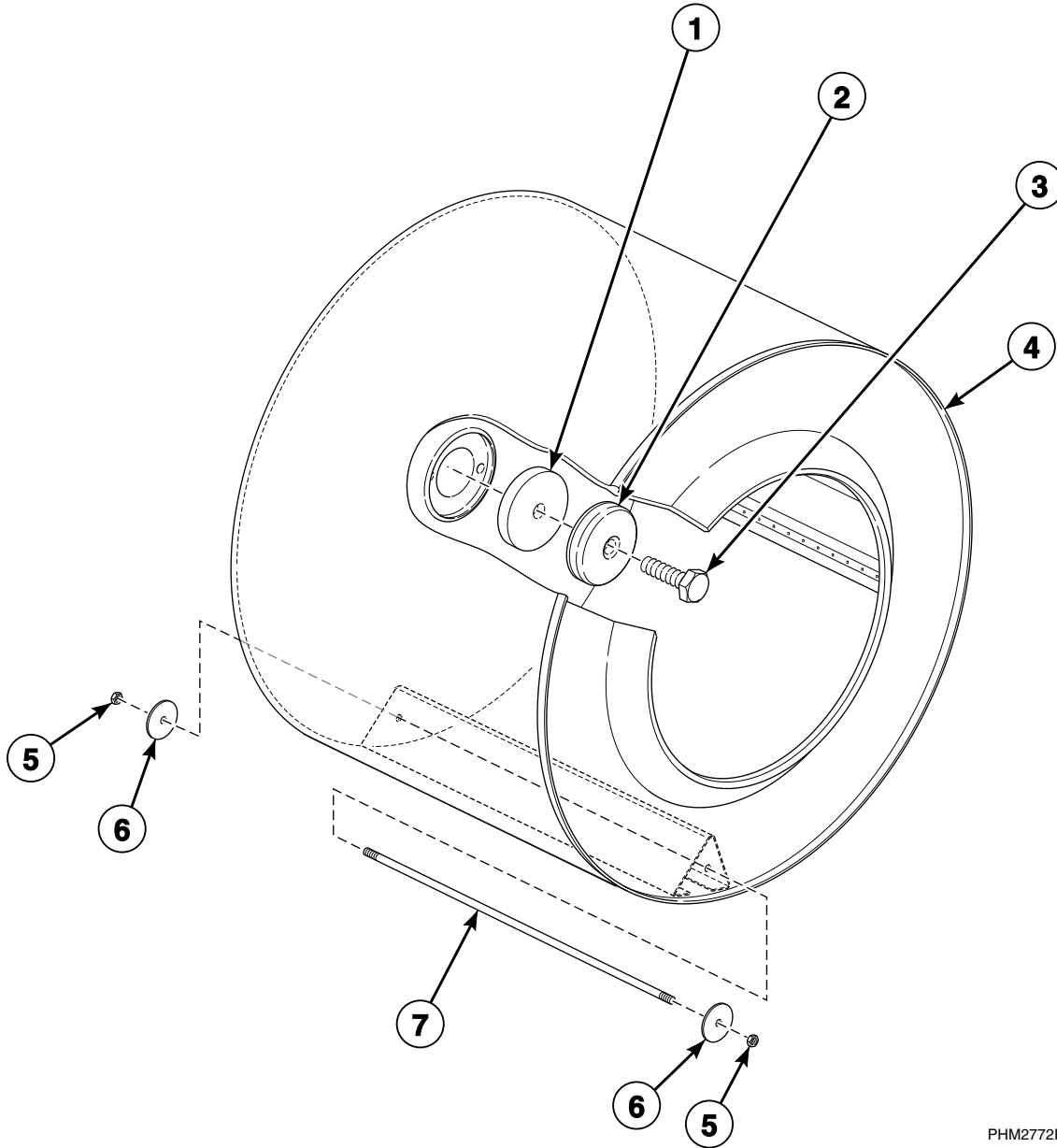
PHM3102P_C002874

Control Box Assembly

REF	PART NO.	DESCRIPTION	COMMENTS
	F431133	Washer	4 required for keypad to keypad mounting plate; Models starting 3/23/04
	F430910	Screw	4 required for keypad to keypad mounting plate
	C000567	Screw	1 required for keypad mounting plate to control panel; 4 required for electrical box to mounting bracket
	F431024	Nut	1 required for keypad mounting plate to control panel
	N/A	Nut	4 required for electrical box to mounting bracket
	C000571	Washer	4 required for electrical box to mounting bracket
	F430909	Screw	2 required for electrical box cover to electrical box; 1 required for ground connection to electrical box for models through 03/23/04; 2 required for ground connection to electrical box for models starting 3/23/04
	C000865	Control Module Harness	
	210/00902/00P	Infrared Cable	
1	C000432	Front Electrical Enclosure Assembly	
2	C000348	Front Electrical Enclosure Cover	
3	C001276	Control Panel Decal	Models IP040PHN1, IP040PHN2, IP040PHQ1, IP040PMN1, IP040PMQ1, IP060PHN1, IP060PHN2, IP060PHQ1, IP060PHQ2, IP060PHX2, IP060PMN1, IP060PMN2, IP060PMQ1, IPH180, IPH270, IPH40H, IPH40M, IPH60H and IPH60M
	C001389	Control Panel Decal	Models CP040PHN1, CP040PHQ1, CP040PMN1, CP040PMQ1, CP060PHN1, CP060PHN2, CP060PHQ1, CP060PHQ2, CP060PHX1, CP060PHX2, CP060PMN1, CP060PMQ1, CPC40H, CPC40M, CPC60H and CPC60M
	C001069	Control Panel Decal	Models JP040PHN1, JP040PHQ1, JP060PHN1, JP060PHN2, JP060PHQ1 and JP060PMQ1
4	C000282P	Keypad Controller	
5	C000376	Standoff	8 required for keypad to keypad mounting plate
6	C000375	Mounting Bracket	
7	C000281P	Main Board Controller Kit	Includes item 9
8	209/00505/04P	Battery	
9	C002642P	Tilt Switch Assembly	
10	C000371P	Chemical Supply Controller	
11	C000213	Front Electrical Enclosure	
12	C002999	RC Network Assembly	
13	F330217P	RC Network Filter	

N/A = Part no longer available

Cylinder Assembly



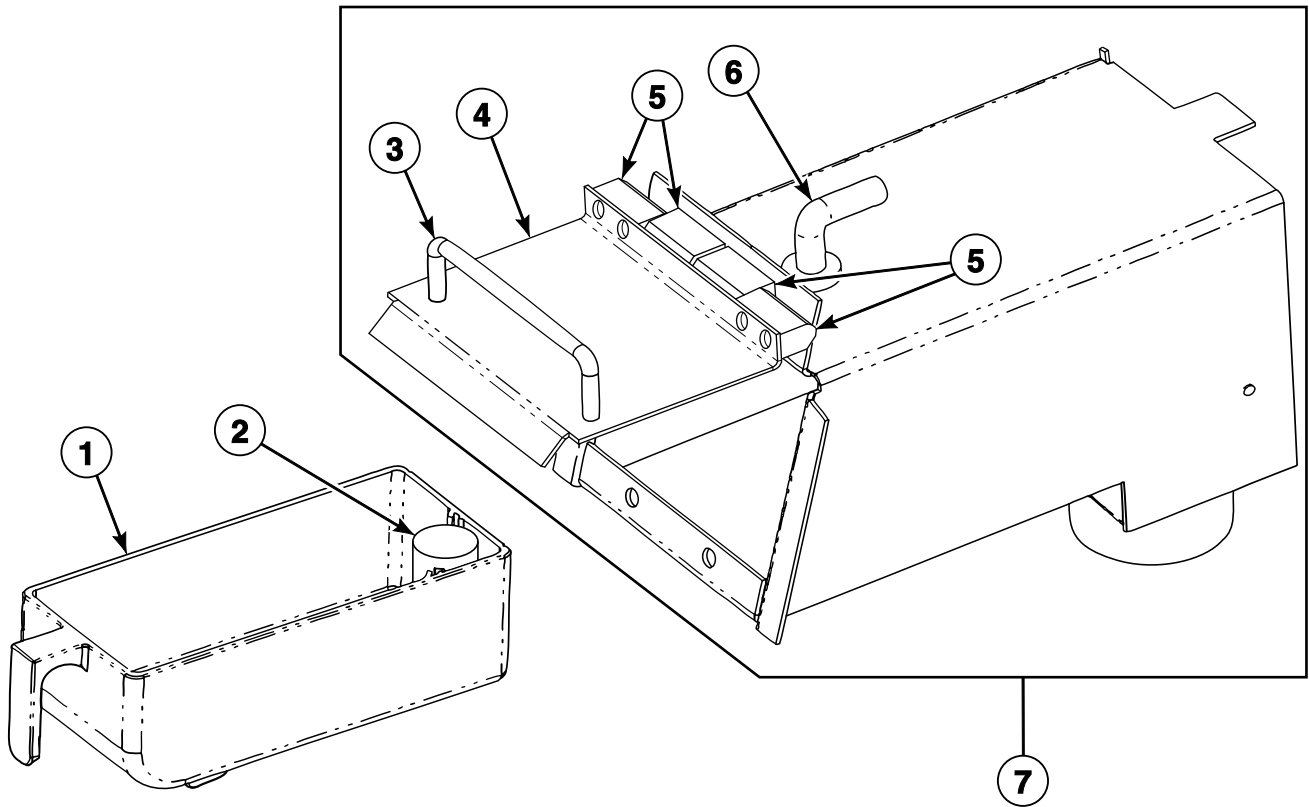
PHM2772P_C002874

Cylinder Assembly

REF	PART NO.	DESCRIPTION	COMMENTS
	C000583	Washer	Models starting 3/23/04
1	N/A	Washer	Models through 3/23/04
	C001239	Washer	Models starting 3/23/04
2	C001238	Cylinder Bolt Shroud	Models starting 3/23/04
3	N/A	Bolt	Models through 3/23/04
	C001093	Screw	Models starting 3/23/04 and continuing through 7/1/06
	C001294	Screw	Models starting 7/1/06
4	C000455P	Cylinder Assembly Kit	Models CP040PHN1, CP040PHQ1, CP040PHX2, CPC40H, IP040PHN1, IP040PHN2, IP040PHQ1, IP040PHX2, IPH40H, JP040PHN1 and JP040PHQ1
	C000812P	Cylinder Assembly Kit	Models CP040PMN1, CP040PMQ1, CP040PMX2, CPC40M, IP040PMN1, IP040PMQ1, IP040PMX2, IPH40M and IPH180
	C000792P	Cylinder Assembly Kit	Models CP060PMN1, CP060PMQ1, CP060PMX2, CPC60M, IP060PMN1, IP060PMN2, IP060PMQ1, IP060PMX2, IPH60M, IPH270 and JP060PMQ1; Includes lifter rod
	C000037P	Cylinder Assembly Kit	Models CP060PHN1, CP060PHN2, CP060PHQ1, CP060PHQ2, CP060PHX1, CP060PHX2, CPC60H, IP060PHN1, IP060PHN2, IP060PHQ1, IP060PHQ2, IP060PHX2, IPH60H, JP060PHN1, JP060PHN2 and JP060PHQ1; Includes lifter rod
5	F431011	Nut	Models CP060PHN1, CP060PHN2, CP060PHQ1, CP060PHQ2, CP060PHX1, CP060PHX2, CP060PMN1, CP060PMQ1, CP060PMX2, CPC60H, CPC60M, IP060PHN1, IP060PHN2, IP060PHQ1, IP060PHQ2, IP060PHX2, IP060PMN1, IP060PMN2, IP060PMQ1, IP060PMX2, IPH60H, IPH60M, IPH270 and JP060PHQ1 starting 3/23/04
6	F0431159-00	Washer	Models CP060PHN1, CP060PHN2, CP060PHQ1, CP060PHQ2, CP060PHX1, CP060PHX2, CP060PMN1, CP060PMQ1, CP060PMX2, CPC60H, CPC60M, IP060PHN1, IP060PHN2, IP060PHQ1, IP060PHQ2, IP060PHX2, IP060PMN1, IP060PMN2, IP060PMQ1, IP060PMX2, IPH60H, IPH60M and IPH270 starting 3/23/04
7	C001327	Cylinder Lifter Rod	Models CP060PHN1, CP060PHN2, CP060PHQ1, CP060PHQ2, CP060PHX1, CP060PHX2, CP060PMN1, CP060PMQ1, CP060PMX2, CPC60H, CPC60M, IP060PHN1, IP060PHN2, IP060PHQ1, IP060PHQ2, IP060PHX2, IP060PMN1, IP060PMN2, IP060PMQ1, IP060PMX2, IPH60H, IPH60M, IPH270 and JP060PHQ1 starting 3/23/04

N/A = Part no longer available

Single Cup Dispenser Assembly



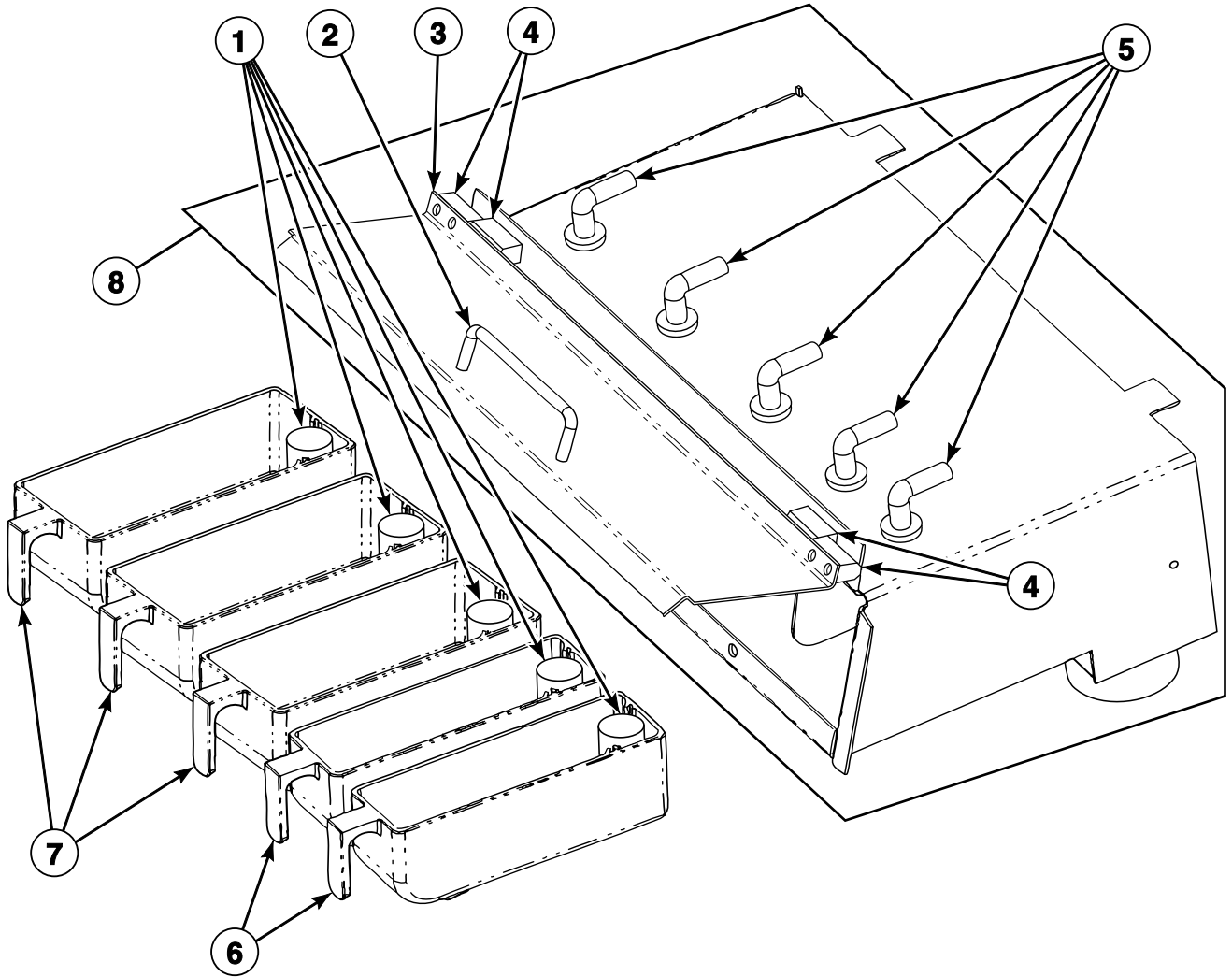
PHM2773P_C002874

Single Cup Dispenser Assembly

REF	PART NO.	DESCRIPTION	COMMENTS
	F430920	Screw	4 required for hinges to cover and 4 required for hinges to control panel for models through 3/23/04; 2 required for dispenser cover to handle for models starting 3/23/04
	C001148	Screw	4 required for hinges to cover; 4 required for hinges to control panel; Models starting 3/23/04
	F430909	Screw	2 required for dispenser cover to handle; Models through 3/23/04
	F430925	Screw	2 required for dispenser to control panel
	N/A	Nut	2 required for dispenser to control panel
	F200201	Hose Clamp	2 required for dispenser hose
	C000552	Hose	Flush hose for supply dispenser
1	C000052	Supply Dispenser Cup	23 ounce
2	C001007	Siphon Tube	
3	C001788	Dispenser Door Handle	
4	C000605	Single Front Dispenser Cover	
5	N/A	Lift-Off Hinge	Nylon; Models through 3/23/04
	C001787	Hinge	Nylon; Black; Models starting 3/23/04
6	C001017	Front Supply Dispenser Nozzle	
7	C000220	Single Dispenser Assembly	1 cup

N/A = Part no longer available

5 Cup Dispenser Assembly



PHM2774P_C002874

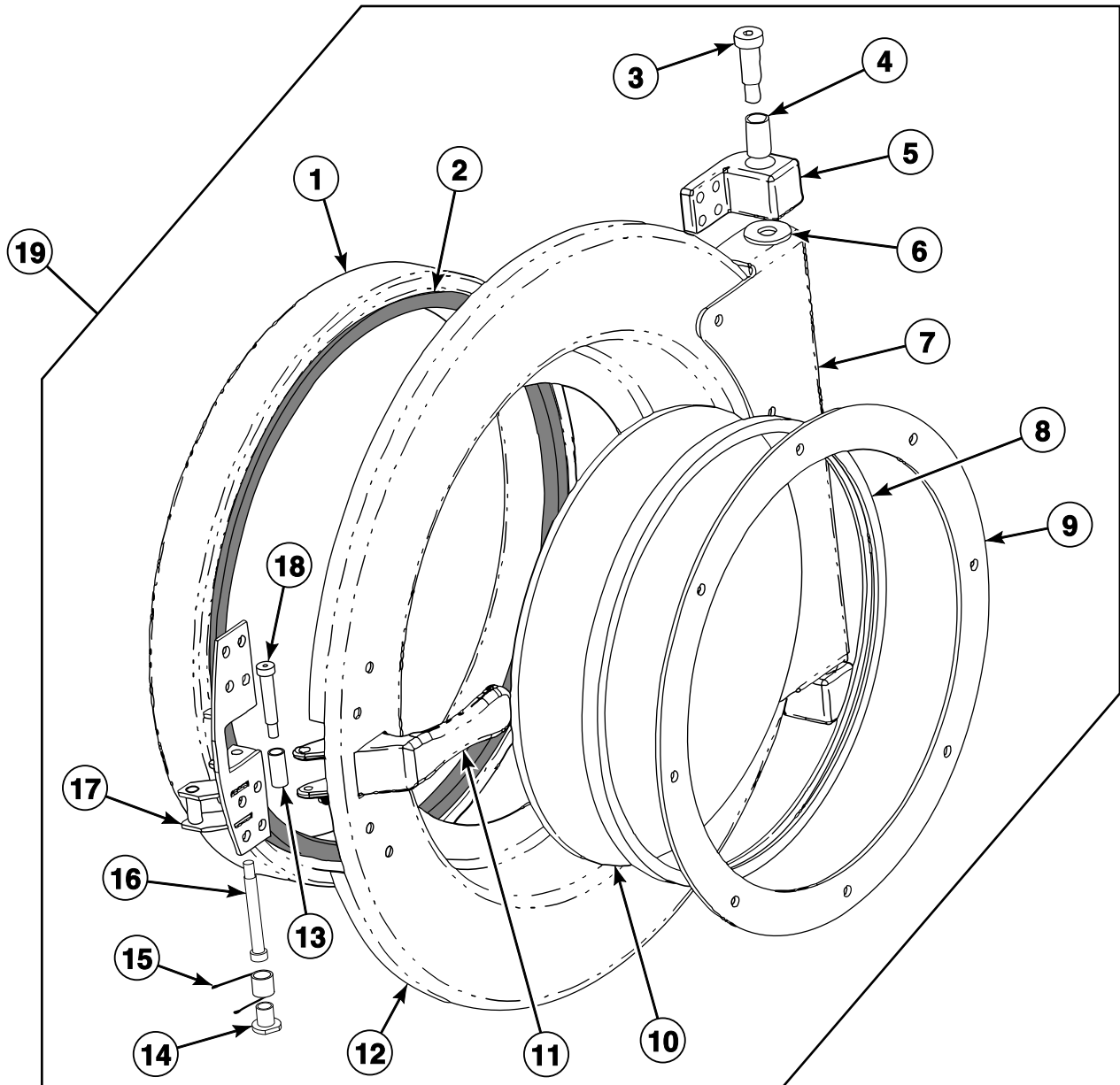
5 Cup Dispenser Assembly

REF	PART NO.	DESCRIPTION	COMMENTS
	F430920	Screw	4 required for hinges to cover and 4 required for hinges to control panel for models through 3/23/04; 2 required for dispenser cover to handle for models starting 3/23/04
	C001148	Screw	4 required for hinges to cover; 4 required for hinges to control panel; Models starting 3/23/04
	F430909	Screw	2 required for dispenser cover to handle; Models through 3/23/04
	F430925	Screw	2 required for dispenser to control panel
	N/A	Nut	2 required for dispenser to control panel
	36801	Hose Clamp	12 required for 5 cup supply dispenser for models through 3/23/04; 7 required for 5 cup supply dispenser for models starting 3/23/04
	C001004	Spring Hose Clamp	5 required for 5 cup supply dispenser; Models starting 3/23/04
	F200201	Hose Clamp	2 required for dispenser hose
	C000552	Hose	Flush hose for supply dispenser cups
1	C001007	Siphon Tube	
2	C001788	Dispenser Door Handle	
3	C000606	Front Cover	5 compartment
4	N/A	Lift-Off Hinge	Nylon; Models through 3/23/04
	C001787	Hinge	Nylon; Black; Models starting 3/23/04
5	C001017	Front Supply Dispenser Nozzle	
6	C000053	Supply Dispenser Cup	
7	C000052	Supply Dispenser Cup	
8	C000107	Dispenser Assembly	5 compartment

N/A = Part no longer available

Door Assembly - Models through 2/9/09 (Drawing 1 of 2)

Models CP060PHN1, CP060PHQ1, CP060PMN1, CP060PMQ1, CPC60H, CPC60M,
IP060PHN1, IP060PHQ1, IP060PMN1, IP060PMQ1, IPH60H, IPH60M, IPH270,
JP060PHN1, JP060PHQ1 and JP060PMQ1



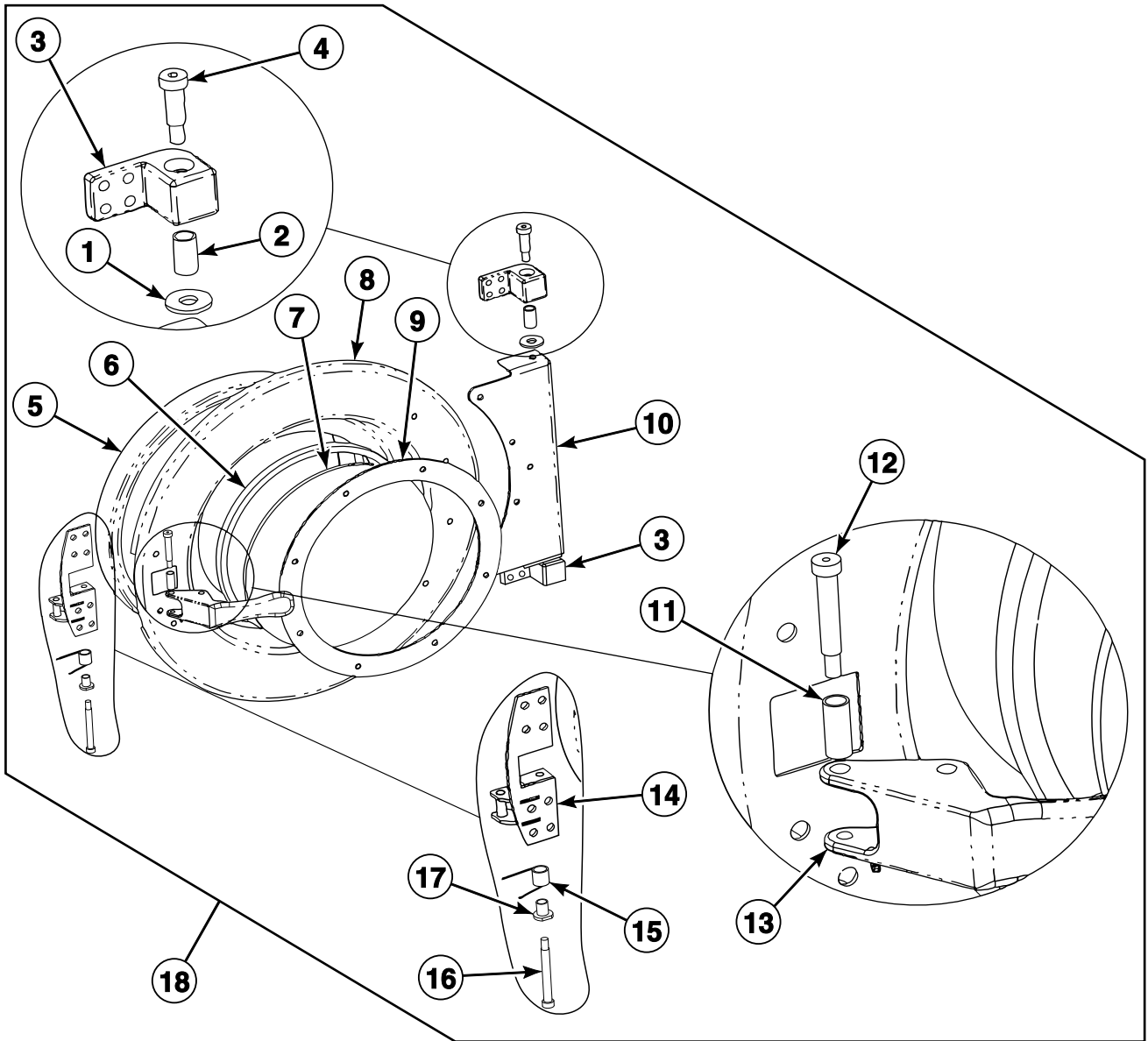
PHM2946P_C002874

Door Assembly - Models through 2/9/09 (Drawing 1 of 2)

REF	PART NO.	DESCRIPTION	COMMENTS
	C000559	Bolt	8 required for door hinge block to shell front
	C000574	Nut	8 required for door hinge block to shell front
	803017	Nut	2 required for door hinge block to hinge
	C000561	Bolt	5 required for door hinge to door; 4 required for door handle hinge to door for models through 3/23/04; 3 required for door handle hinge to door for models starting 3/23/04
	C000560	Nut	5 required for door hinge to door; 4 required for door handle hinge to door
	F8549401	Nut	8 required for door glass retainer to door
	C000601	Stud	8 required for door glass retainer to door
	F431024	Nut	1 required for door handle to door handle hinge
	C001236	Nut	1 required for door handle to door handle bushing
	C001546	Door Bumper	2 required; Models starting 3/23/04
	C001032	Screw	2 required for door bumper; Models starting 3/23/04
1	C003285	Door Gasket	
2	F8513501	Shell Front Gasket Kit	
3	F8549301	Bolt	
4	C000176	Door Hinge Bushing	
5	C000175	Hinge Block	
6	C000177	Washer	
7	C000604	Door Hinge	
8	C000190	Door Glass Gasket	
9	C000603	Door Glass Retainer	
10	C000191	Door Glass	
11	C001679P	Door Handle	
12	C002726	Door Assembly	
13	C000181	Door Handle Bushing	
14	C000192	Door Handle Spring Bushing	
15	C001786	Door Handle Torsion Spring	
16	C001785	Bolt	
17	C000470	Door Handle Hinge Weldment	
18	C000180	Bolt	
19	C000077	Door Assembly	Includes items 1-18

Door Assembly - Models through 2/9/09 (Drawing 2 of 2)

Models CP040PHN1, CP040PHQ1, CP040PMN1, CP040PMQ1, CPC40H, CPC40M, IP040PHN1, IP040PHQ1, IP040PMN1, IP040PMQ1, IPH40H, IPH40M, IPH180, JP040PHN1 and JP040PHQ1



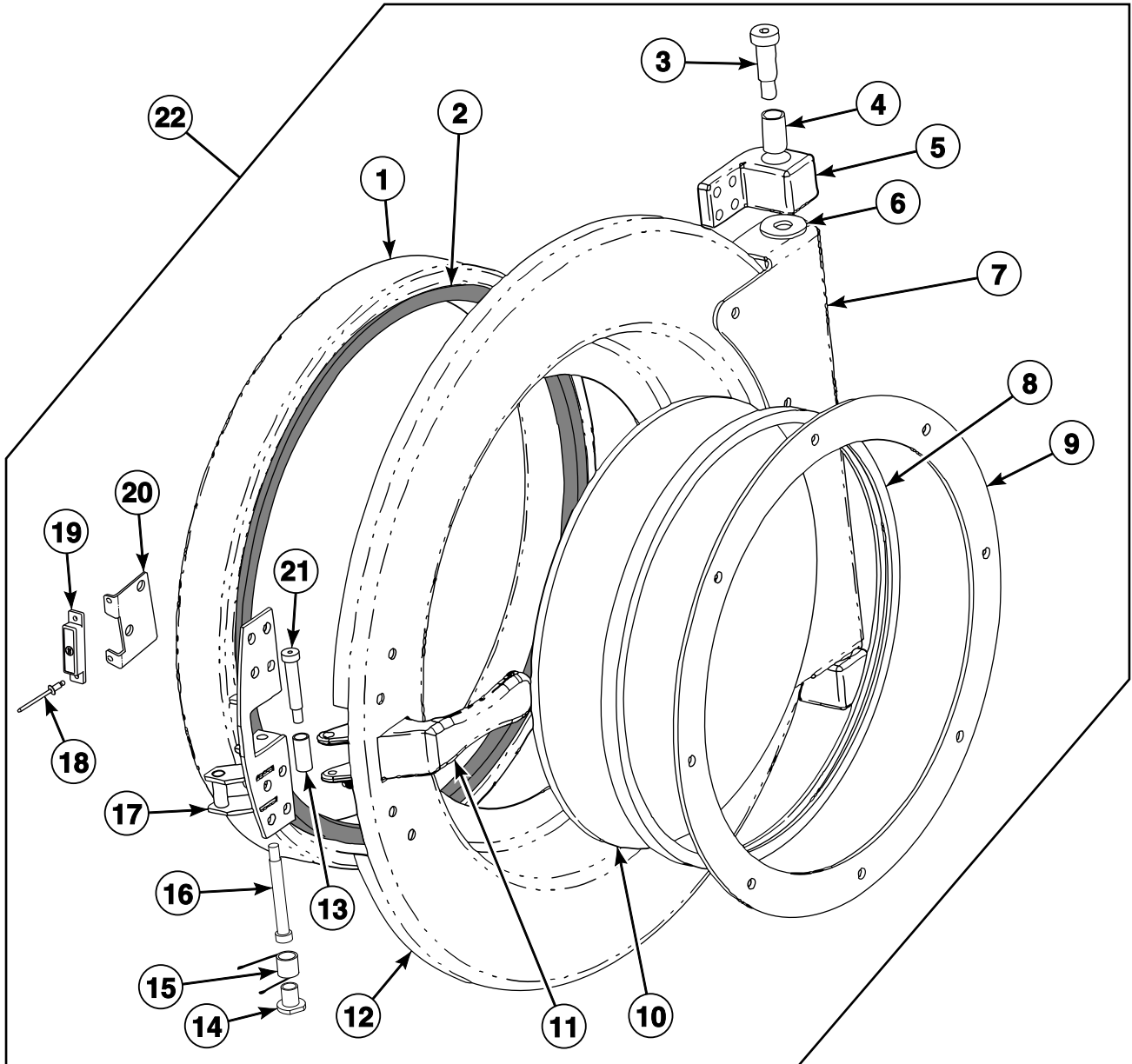
PHM2775P_C002874

Door Assembly - Models through 2/9/09 (Drawing 2 of 2)

REF	PART NO.	DESCRIPTION	COMMENTS
	C000559	Bolt	8 required for door hinge block to shell front
	C000574	Nut	8 required for door hinge block to shell front
	803017	Nut	2 required for door hinge block to hinge
	C000561	Bolt	5 required for door hinge to door; 4 required for door handle hinge to door for models through 3/23/04; 3 required for door handle hinge to door for models starting 3/23/04
	C000560	Nut	5 required for door hinge to door; 4 required for door handle hinge to door
	F8549401	Nut	8 required for door glass retainer to door
	C000601	Stud	8 required for door glass retainer to door
	F431024	Nut	1 required for door handle to door handle hinge
	C001236	Nut	1 required for door handle to door handle bushing
	C001546	Door Bumper	2 required; Models starting 3/23/04
	C001032	Screw	2 required for door bumper; Models starting 3/23/04
1	C000177	Washer	
2	C000176	Door Hinge Bushing	
3	C000175	Hinge Block	
4	F8549301	Bolt	
5	C000521P	Door Gasket	
6	C000522	Door Glass Gasket	
7	C000520P	Door Glass	
8	C000523	Door	
9	C000519	Door Glass Retainer	
10	C000681	Door Hinge	
11	C000181	Door Handle Bushing	
12	C000180	Bolt	
13	C001679P	Door Handle	
14	C000470	Door Handle Hinge Weldment	
15	C001786	Door Handle Torsion Spring	
16	C001785	Bolt	
17	C000192	Door Handle Spring Bushing	
18	C000524	Door Assembly	Models starting 3/23/04; Includes items 1-17

Door Assembly - Models starting 2/10/09 (Drawing 1 of 2)

Models CP060PHN1, CP060PHN2, CP060PHQ1, CP060PHQ2, CP060PHX1, CP060PHX2, CP060PMN1, CP060PMQ1, CP060PMX2, CPC60H, CPC60M, IP060PHN1, IP060PHN2, IP060PHQ1, IP060PHQ2, IP060PHX2, IP060PMN1, IP060PMN2, IP060PMQ1, IP060PMX2, IPH60H, IPH60M, IPH270, JP060PHN1, JP060PHN2, JP060PHQ1 and JP060PMQ1



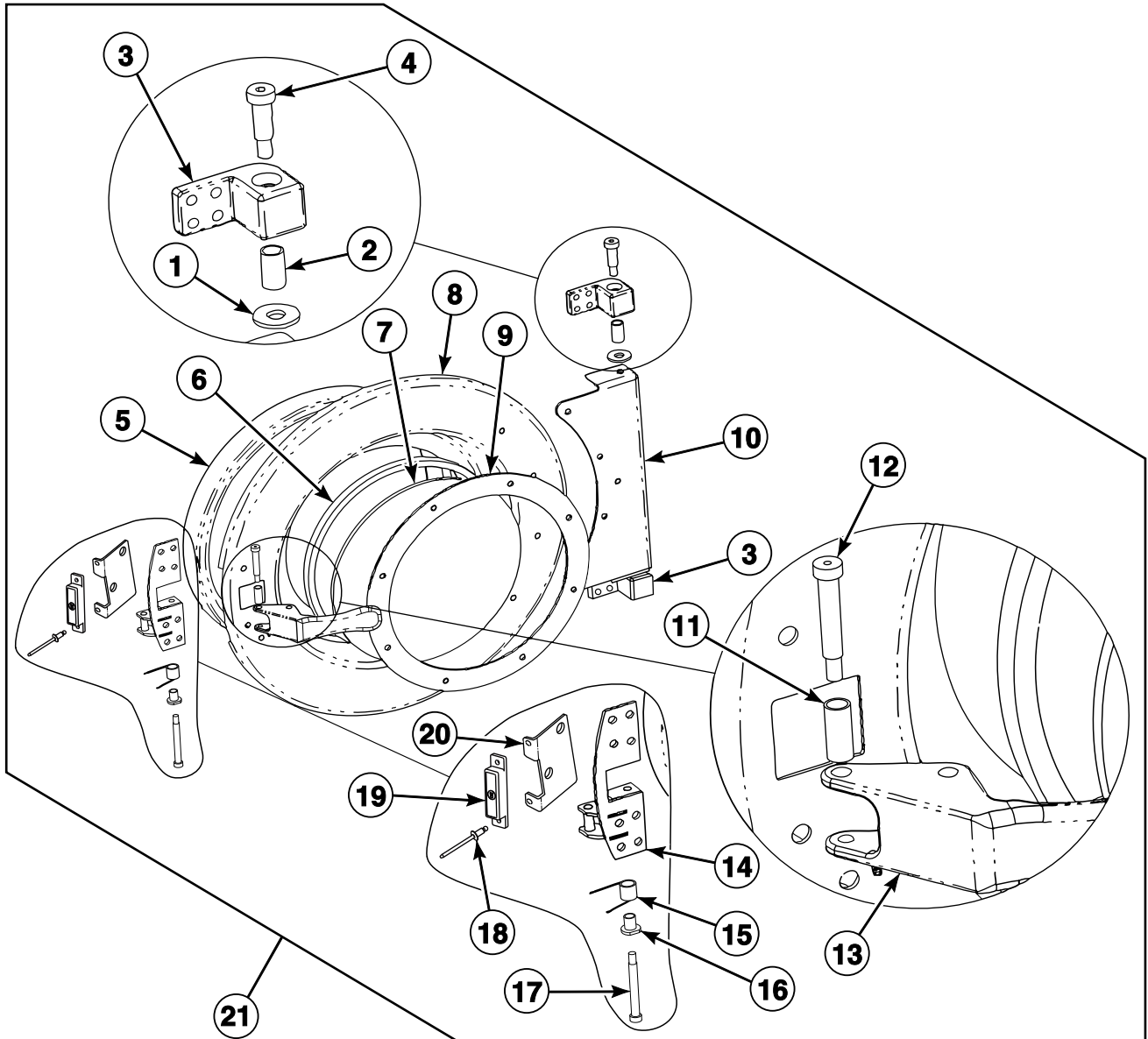
PHM3090P_C002874

Door Assembly - Models starting 2/10/09 (Drawing 1 of 2)

REF	PART NO.	DESCRIPTION	COMMENTS
	C000559	Bolt	8 required for door hinge block to shell front
	C000574	Nut	8 required for door hinge block to shell front
	803017	Nut	2 required for door hinge block to hinge
	C000561	Bolt	5 required for door hinge to door; 3 required for door handle hinge to door
	C000560	Nut	5 required for door hinge to door; 4 required for door handle hinge to door
	F8549401	Nut	8 required for door glass retainer to door
	C000601	Stud	8 required for door glass retainer to door
	F431024	Nut	1 required for door handle to door handle hinge
	C001236	Nut	1 required for door handle to door handle bushing
	C001546	Door Bumper	2 required; Models starting 3/23/04
	C001032	Screw	2 required for door bumper; Models starting 3/23/04
1	C003285	Door Gasket	
2	F8513501	Shell Front Gasket Kit	
3	F8549301	Bolt	
4	C000176	Door Hinge Bushing	
5	C000175	Hinge Block	
6	C000177	Washer	
7	C000604	Door Hinge	
8	C000190	Door Glass Gasket	
9	C000603	Door Glass Retainer	
10	C000191	Door Glass	
11	C001679P	Door Handle	
12	C002726	Door Assembly	
13	C000181	Door Handle Bushing	
14	C000192	Door Handle Spring Bushing	
15	C001786	Door Handle Torsion Spring	
16	C001785	Bolt	
17	C000470	Door Handle Hinge Weldment	
18	F431223	Pop Rivet	
19	F8390801	Magnet	
20	C002994	Door Magnet Mounting Bracket	
21	C000180	Bolt	
22	C000077	Door Assembly	Includes items 1-21

Door Assembly - Models starting 2/10/09 (Drawing 2 of 2)

Models CP040PHN1, CP040PHQ1, CP040PHX2, CP040PMN1, CP040PMQ1, CP040PMX2, CPC40H, CPC40M, IP040PHN1, IP040PHN2, IP040PHQ1, IP040PHX2, IP040PMN1, IP040PMQ1, IP040PMX2, IPH40H, IPH40M, IPH180, JP040PHN1 and JP040PHQ1



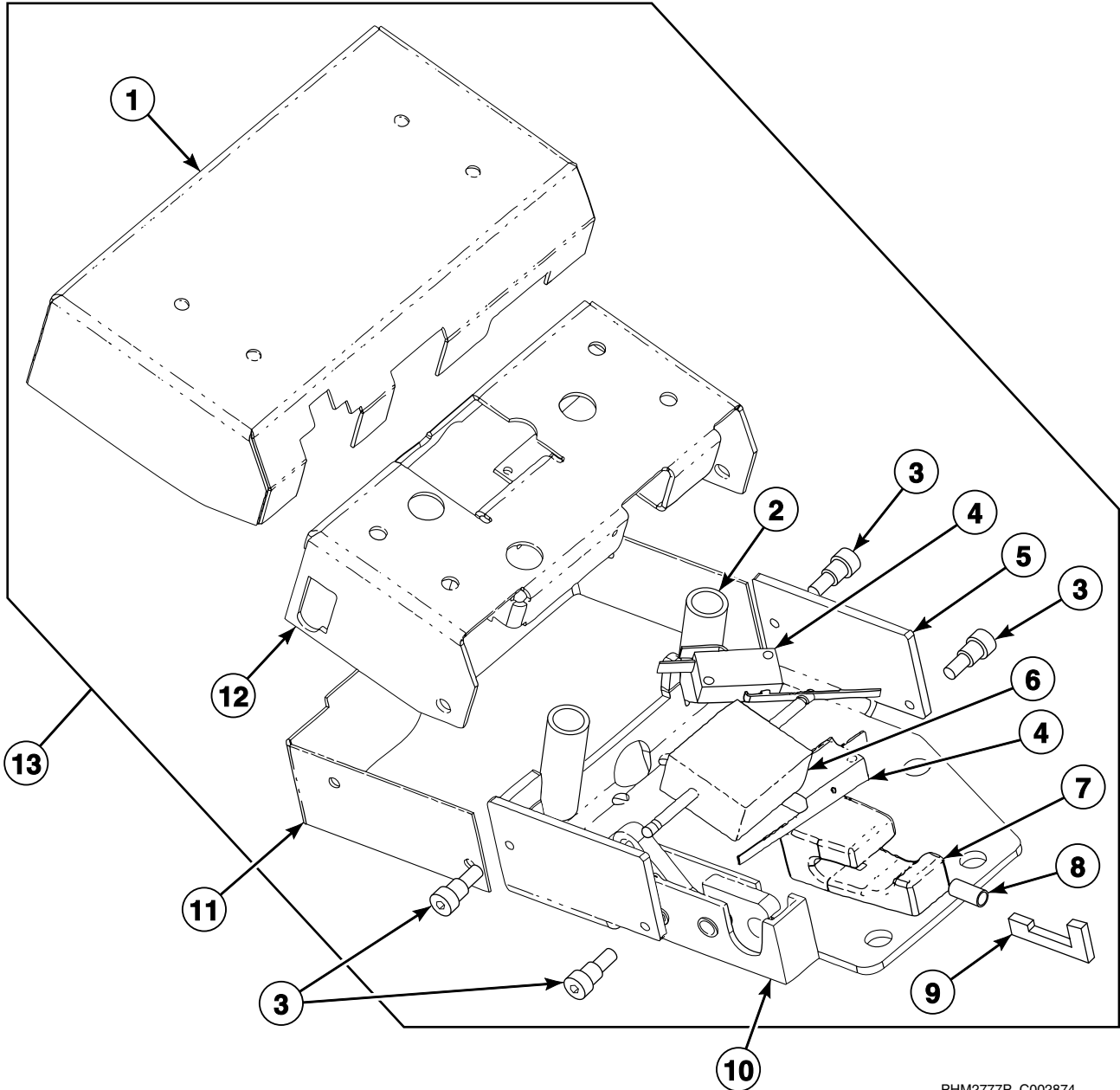
PHM3092P_C002874

Door Assembly - Models starting 2/10/09 (Drawing 2 of 2)

REF	PART NO.	DESCRIPTION	COMMENTS
	C000559	Bolt	8 required for door hinge block to shell front
	C000574	Nut	8 required for door hinge block to shell front
	803017	Nut	2 required for door hinge block to hinge
	C000561	Bolt	5 required for door hinge to door; 3 required for door handle hinge to door
	C000560	Nut	5 required for door hinge to door; 4 required for door handle hinge to door
	F8549401	Nut	8 required for door glass retainer to door
	C000601	Stud	8 required for door glass retainer to door
	F431024	Nut	1 required for door handle to door handle hinge
	C001236	Nut	1 required for door handle to door handle bushing
	C001546	Door Bumper	2 required; Models starting 3/23/04
	C001032	Screw	2 required for door bumper; Models starting 3/23/04
1	C000177	Washer	
2	C000176	Door Hinge Bushing	
3	C000175	Hinge Block	
4	F8549301	Bolt	
5	C000521P	Door Gasket	
6	C000522	Door Glass Gasket	
7	C000520P	Door Glass	
8	C000523	Door	
9	C000519	Door Glass Retainer	
10	C000681	Door Hinge	
11	C000181	Door Handle Bushing	
12	C000180	Bolt	
13	C001679P	Door Handle	
14	C000470	Door Handle Hinge Weldment	
15	C001786	Door Handle Torsion Spring	
16	C000192	Door Handle Spring Bushing	
17	C001785	Bolt	
18	F431223	Pop Rivet	
19	F8390801	Magnet	
20	C002994	Door Magnet Mounting Bracket	
21	C000524	Door Assembly	Includes items 1-20

Door Lock Assembly

Models Through Serial No. 0902007001



PHM2777P_C002874

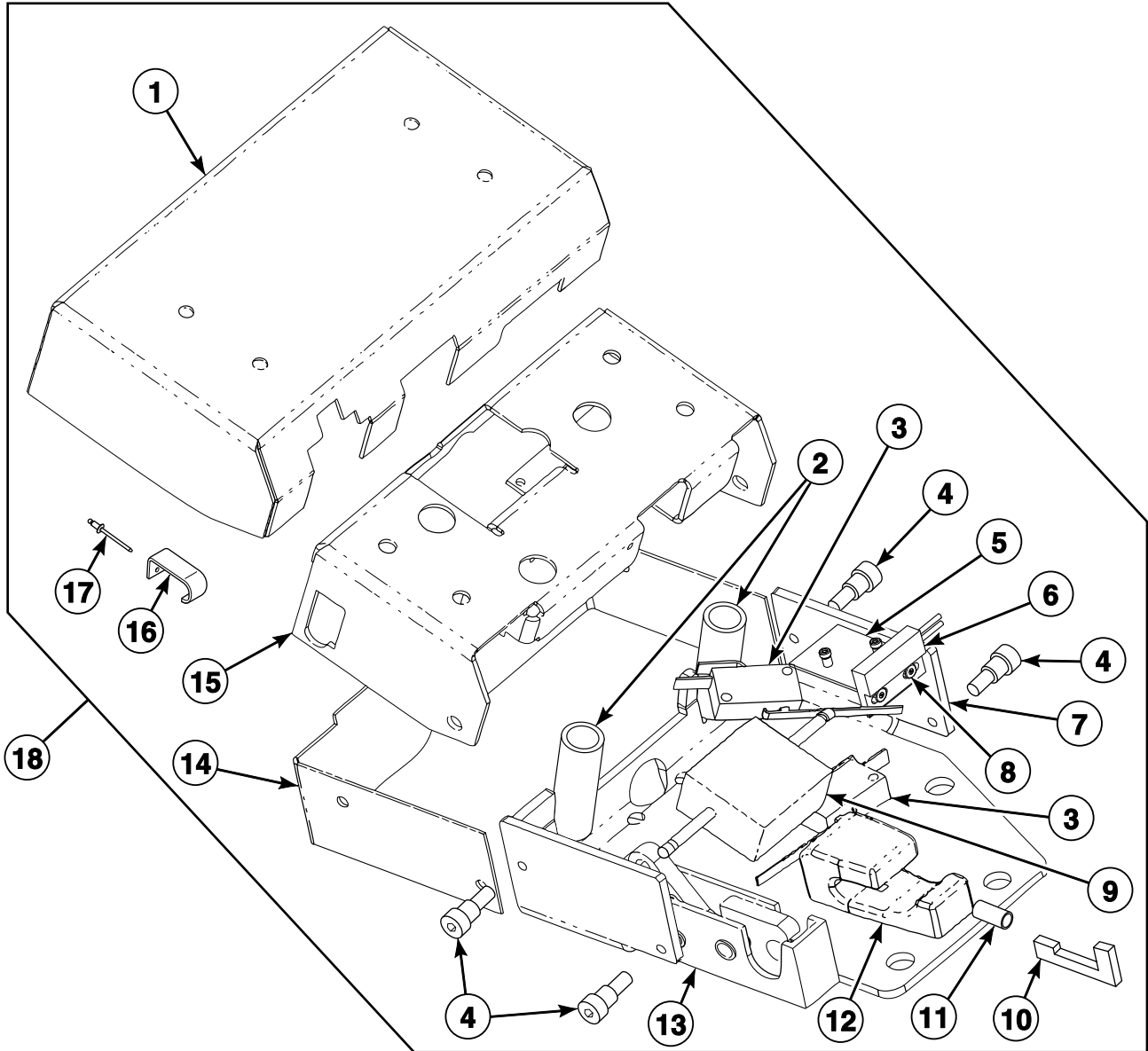
Door Lock Assembly

REF	PART NO.	DESCRIPTION	COMMENTS
	81398	Screw	4 required for door lock cover to solenoid bracket; Models starting 3/23/04
	C000613	Screw	2 required for door solenoid bracket to door lock plate; Models through 3/23/04
	C000614	Screw	2 required for door lock switch to door lock plate; 2 required for door lock switch to door lock solenoid bracket
	C000578	Nut	2 required for door lock switch to door lock plate; 2 required for door lock switch to door lock solenoid bracket
	C000561	Bolt	4 required for door lock to shell front
	C000574	Nut	4 required for door lock to shell front
	C000567	Screw	2 required for door latch to door lock plate
	C000571	Washer	2 required for door latch to door lock plate; Models starting 3/23/04
	C000572	Screw	2 required for door lock solenoid to bracket
	C000612	Screw	3 required for door lock catch to door lock plate
	C000430	Bolt	4 required for door solenoid bracket to door lock plate for models starting 3/23/04; 4 required for door lock cover to door lock plate for models through 3/23/04
	C000576	Nut	2 required for door lock cover to door lock plate
	C000867P	Door Lock Harness	
	C003291	Jump Wire	
1	C000688	Door Lock Cover	
2	C000431	Spring	
3	C000430	Bolt	
4	C000278	Door Lock Microswitch	
5	C000684	Door Lock Plate	
6	F8654101	Door Lock Solenoid	
7	C000185	Door Lock Catch	
8	C000276	Door Lock Slide Spring	
9	C000271	Door Lock Switch Slide	
10	N/A	Door Latch	Models through 3/23/04
	C001244	Door Latch	Models starting 3/23/04
11	C000687	Door Lock Spring Cover	
12	C003022	Door Lock Solenoid Bracket	
13	C002996M	Door Lock Kit	
	N/A	Door Lock Assembly	Includes items 1-12; Models through 7/14/11 with C001036P Door Lock Assembly MUST order C002996M Door Lock Kit

N/A = Part no longer available

Door Lock Assembly with Magnetic Sensor

Models Starting Serial No. 0902007002



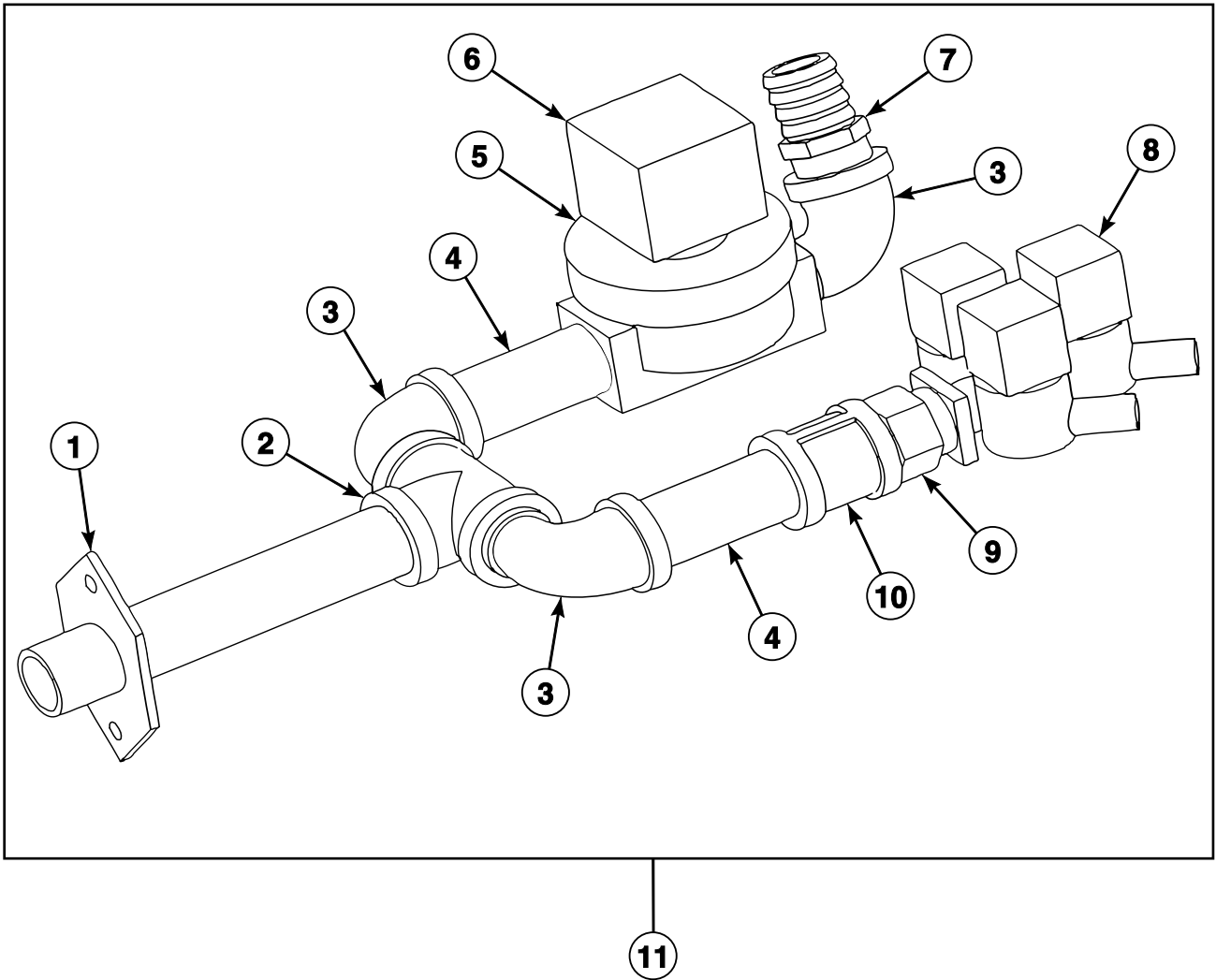
PHM3149P_C002874

Door Lock Assembly with Magnetic Sensor

REF	PART NO.	DESCRIPTION	COMMENTS
	81398	Screw	4 required for door lock cover to solenoid bracket; Models starting 3/23/04
	C000613	Screw	2 required for door solenoid bracket to door lock plate; Models through 3/23/04
	C000614	Screw	2 required for door lock switch to door lock plate; 2 required for door lock switch to door lock solenoid bracket
	C000578	Nut	2 required for door lock switch to door lock plate; 2 required for door lock switch to door lock solenoid bracket
	C000561	Bolt	4 required for door lock to shell front
	C000574	Nut	4 required for door lock to shell front
	C000567	Screw	2 required for door latch to door lock plate
	C000571	Washer	2 required for door latch to door lock plate; Models starting 3/23/04
	C000572	Screw	2 required for door lock solenoid to bracket
	C000612	Screw	3 required for door lock catch to door lock plate
	C000430	Bolt	4 required for door solenoid bracket to door lock plate for models starting 3/23/04; 4 required for door lock cover to door lock plate for models through 3/23/04
	C000576	Nut	2 required for door lock cover to door lock plate
	C000867P	Door Lock Harness	
	C003291	Jump Wire	
1	C000688	Door Lock Cover	
2	C000431	Spring	
3	C000278	Door Lock Microswitch	
4	C000430	Bolt	
5	C002995	Magnetic Door Switch Bracket	
6	C003000	Reed Switch Assembly	
7	C000684	Door Lock Plate	
8	J1111905	Blind Rivet	
9	F8654101	Door Lock Solenoid	
10	C000271	Door Lock Switch Slide	
11	C000276	Door Lock Slide Spring	
12	C000185	Door Lock Catch	
13	N/A	Door Latch	Models through 3/23/04
	C001244	Door Latch	Models starting 3/23/04
14	C000687	Door Lock Spring Cover	
15	C003022	Door Lock Solenoid Bracket	
16	B12351001	Door Lock Spring	Models starting 12/13/10 through 5/12/11
17	F431215	Pop Rivet	Models starting 12/13/10 through 5/12/11
18	C002996M	Door Lock Kit	Includes items 1-17

N/A = Part no longer available

5 Cup Hot Plumbing Assembly

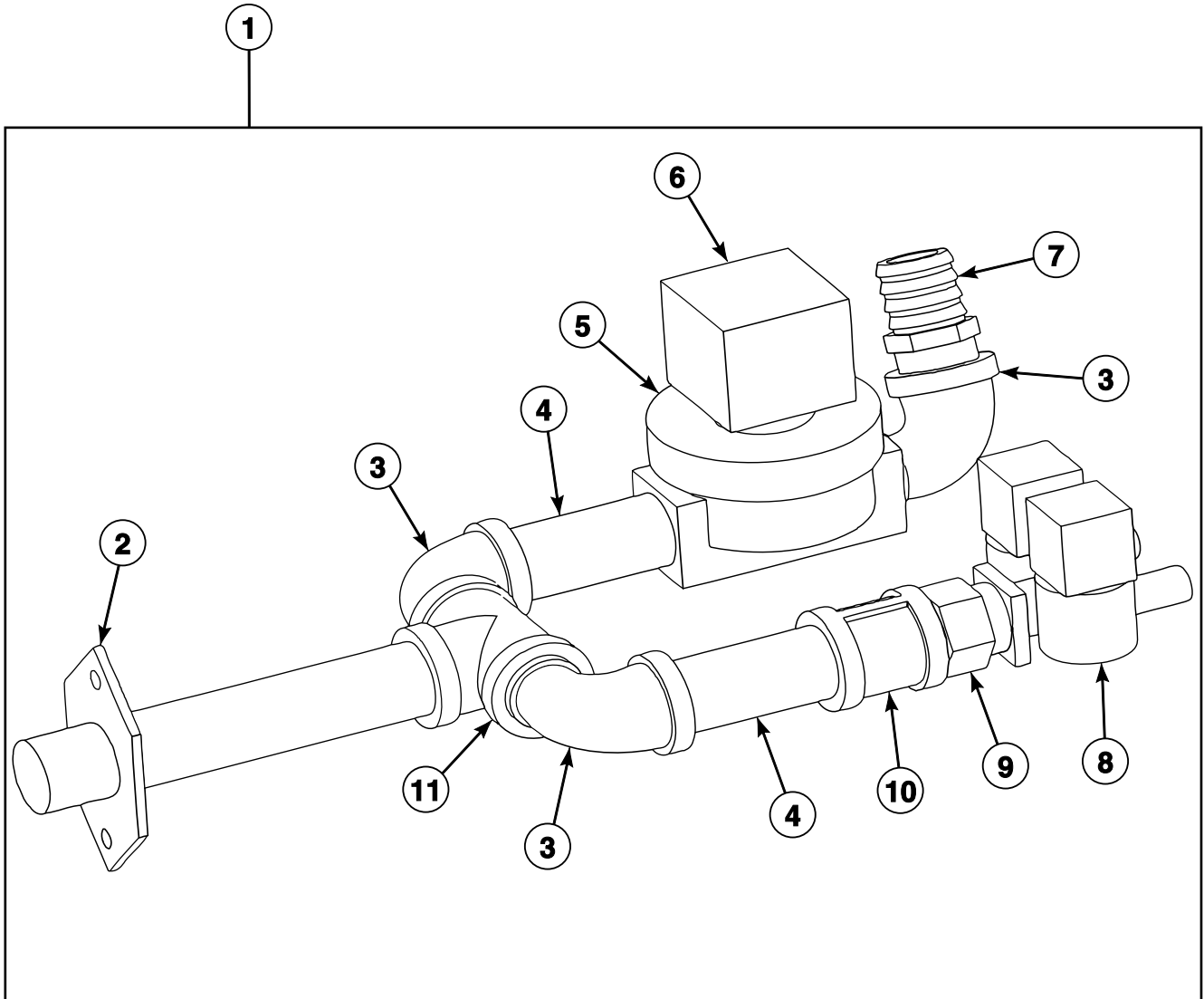


PHM2736P_C002874

5 Cup Hot Plumbing Assembly

REF	PART NO.	DESCRIPTION	COMMENTS
	C002610P	Inlet Valve Harness	
	C000567	Screw	2 required for hot manifold to valve panel; 4 required for vacuum breaker to valve panel
	F431024	Nut	2 required for drain valve to drain valve mounting bracket; 2 required for hot manifold to valve panel
	F430935	Screw	2 required for drain valve to drain valve mounting bracket
	C000585	Washer	2 required for drain valve to drain valve mounting bracket; Models through 3/23/04
	C000571	Washer	4 required for drain valve to drain valve mounting bracket; Models starting 3/23/04
	F200128P	Water Hose	Hot water valve to vacuum breaker
	F8514701	Coil	Use with F8322909 Steam Valve
	F8382301	DIN Valve Adapter Kit	Use with F8322909 Steam Valve
	F8379504	Valve Rebuild Kit	Use with F8322909 Steam Valve
1	C001366	Flange and Nipple Assembly	
2	F420403	Tee	
3	F420502	Street Elbow	
4	F420107	Nipple	
5	F380991P	Water Valve Repair Kit	3/4 inch; Use with F381700P Valve
	F8322909P	Valve	Replaces F381700P Valve; Includes F8322909 Steam Valve and F8514701 Coil
6	F380986P	DIN Coil	120 Volt
	F380987P	DIN Coil	240 Volt
7	F421951	Hose Barb	Brass
8	C000436P	Water Valve	
	G582P3	Diaphragm and Guide Kit	
9	C000424	Adapter	
10	C000420	Coupling	
11	C000426	Hot Plumbing Assembly	5 cup; Includes items 1-9

1 Cup Hot Plumbing Assembly

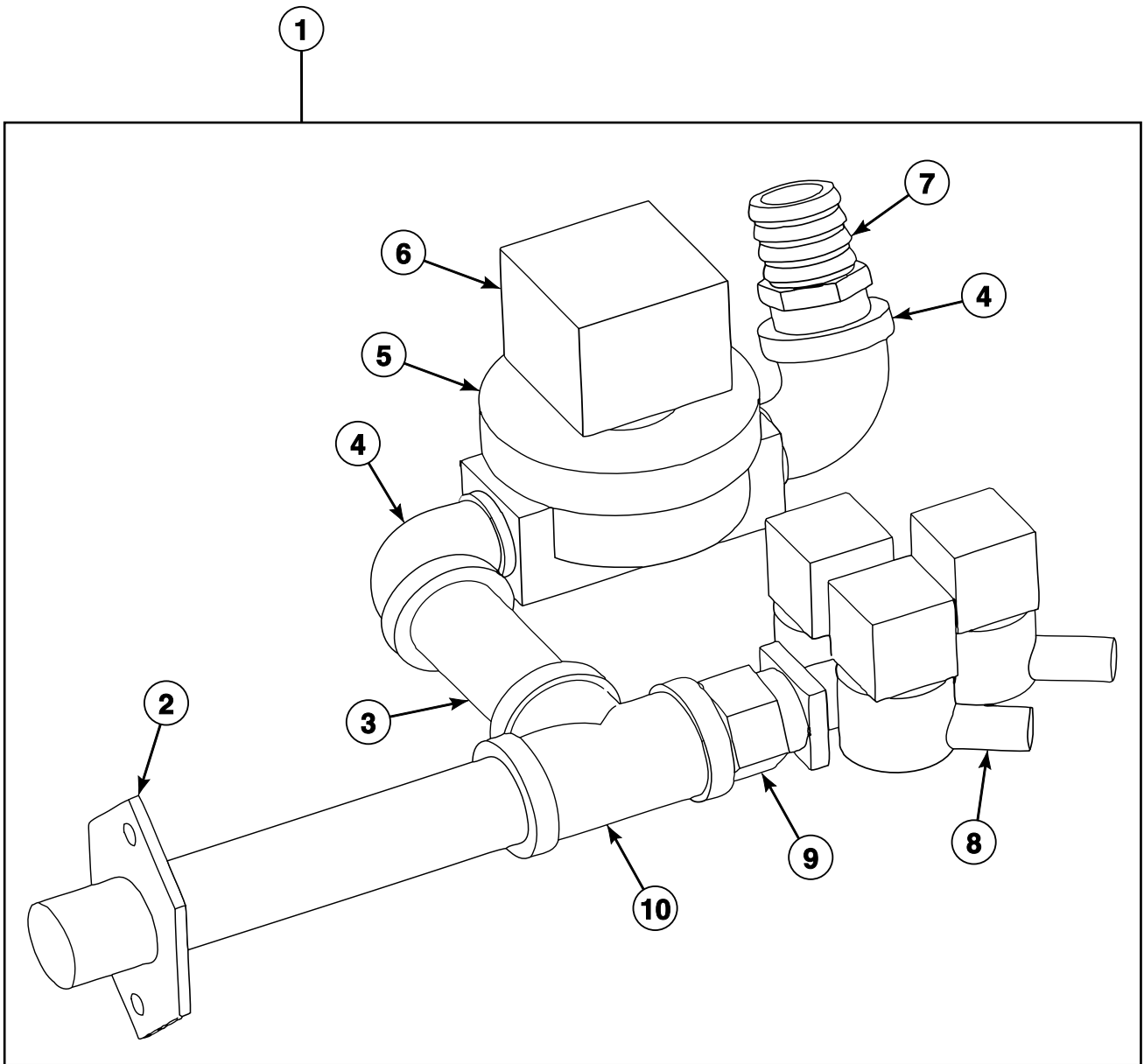


PHM2737P_C002874

1 Cup Hot Plumbing Assembly

REF	PART NO.	DESCRIPTION	COMMENTS
	C002608P	Inlet Valve Harness	
	C000567	Screw	2 required for hot manifold to valve panel; 4 required for vacuum breaker to valve panel
	F431024	Nut	2 required for hot manifold to valve panel; 2 required for drain valve to drain valve mounting bracket
	F430935	Screw	2 required for drain valve to drain valve mounting bracket
	C000585	Washer	2 required for drain valve to drain valve mounting bracket; Models through 3/23/04
	C000571	Washer	4 required for drain valve to drain valve mounting bracket; Models starting 3/23/04
	F200128P	Water Hose	Hot water valve to vacuum breaker
	F8514701	Coil	Use with F8322909 Steam Valve
	F8382301	DIN Valve Adapter Kit	Use with F8322909 Steam Valve
	F8379504	Valve Rebuild Kit	Use with F8322909 Steam Valve
1	C001664	Hot Plumbing Assembly	Includes items 2-10
2	C001366	Flange and Nipple Assembly	
3	F420502	Street Elbow	
4	F420107	Nipple	
5	F380991P	Water Valve Repair Kit	3/4 inch; Use with F381700P Valve
	F8322909P	Valve	Replaces F381700P Valve; Includes F8322909 Steam Valve and F8514701 Coil
6	F380986P	DIN Coil	120 Volt
	F380987P	DIN Coil	240 Volt
7	F421951	Hose Barb	Brass
8	C000716P	Valve	2-way
	G582P3	Diaphragm and Guide Kit	
9	C000424	Adapter	
10	C000420	Coupling	
11	F420403	Tee	

5 Cup Cold Plumbing Assembly

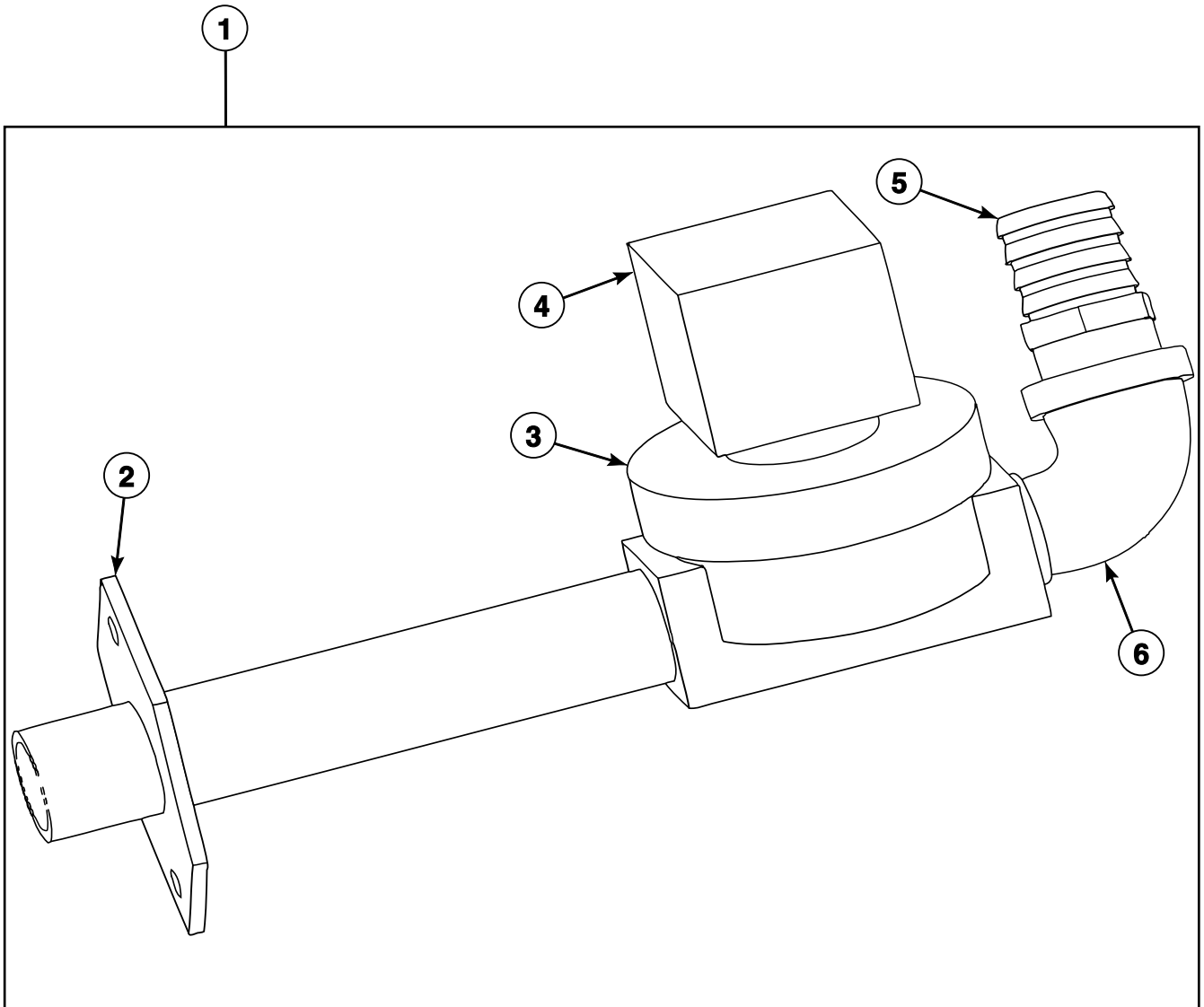


PHM2738P_C002874

5 Cup Cold Plumbing Assembly

REF	PART NO.	DESCRIPTION	COMMENTS
	C002611P	Inlet Valve Harness	
	C000567	Screw	2 required for cold manifold to valve panel; 4 required for vacuum breaker to valve panel
	F431024	Nut	2 required for drain valve to drain valve mounting bracket; 2 required for cold manifold to valve panel
	F430935	Screw	2 required for drain valve to drain valve mounting bracket
	C000585	Washer	2 required for drain valve to drain valve mounting bracket; Models through 3/23/04
	C000571	Washer	4 required for drain valve to drain valve mounting bracket; Models starting 3/23/04
	F200128P	Water Hose	Cold water valve to vacuum breaker
	F8514701	Coil	Use with F8322909 Steam Valve
	F8382301	DIN Valve Adapter Kit	Use with F8322909 Steam Valve
	F8379504	Valve Rebuild Kit	Use with F8322909 Steam Valve
1	C000425	Cold Plumbing Assembly	Includes items 2-9
2	C001366	Flange and Nipple Assembly	
3	F420107	Nipple	Galvanized
4	F420502	Street Elbow	Galvanized
5	F380991P	Water Valve Repair Kit	3/4 inch; Use with F381700P Valve
	F8322909P	Valve	Replaces F381700P Valve: Includes F8322909 Steam Valve and F8514701 Coil
6	F380986P	DIN Coil	120 Volt
	F380987P	DIN Coil	240 Volt
7	F421951	Hose Barb	Brass
8	C000436P	Water Valve	3-way
	G582P3	Diaphragm and Guide Kit	
9	C000424	Adapter	
10	F420403	Tee	Galvanized

1 Cup Cold Plumbing Assembly

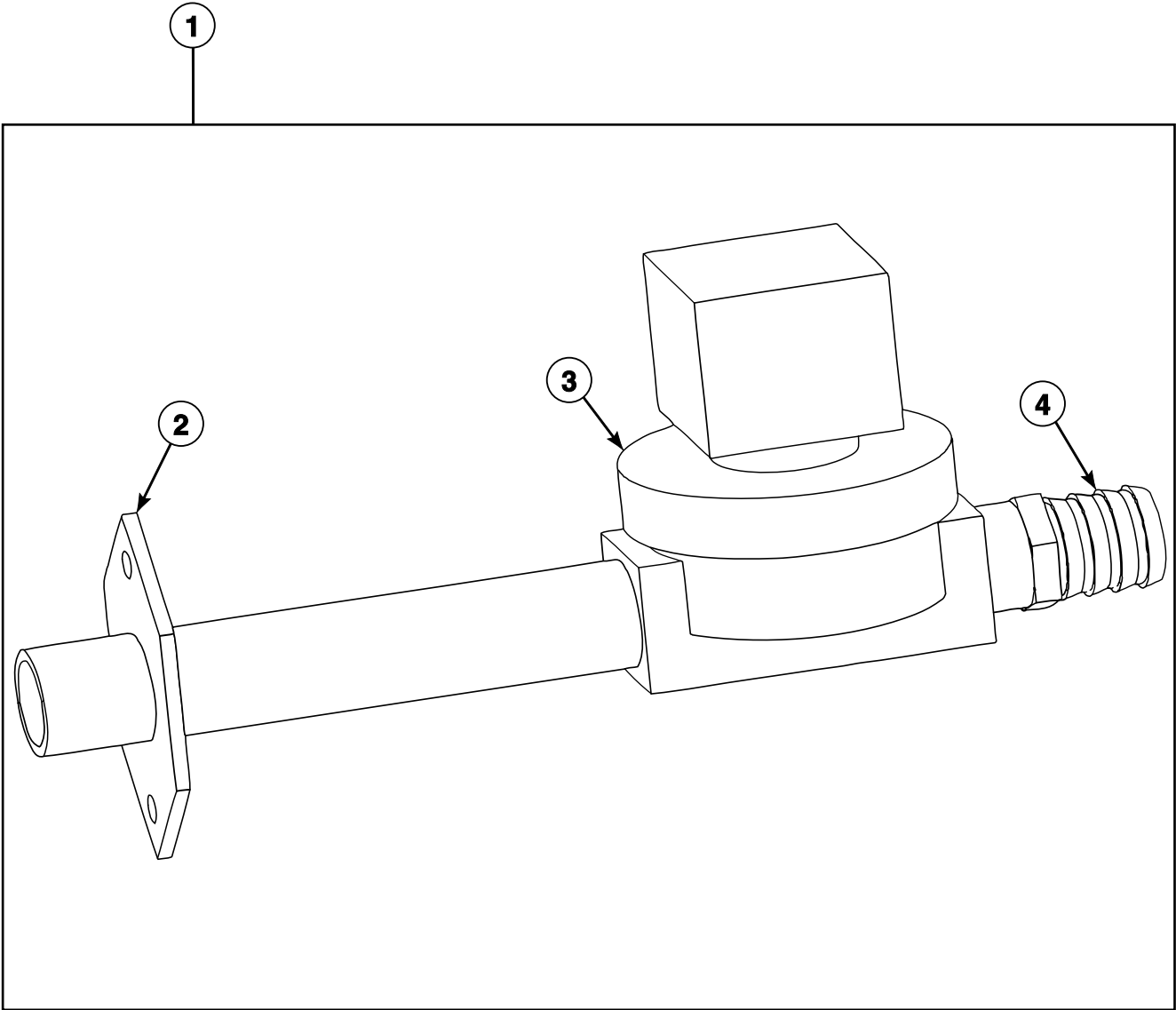


PHM2739P_C002874

1 Cup Cold Plumbing Assembly

REF	PART NO.	DESCRIPTION	COMMENTS
	C002608P	Inlet Valve Harness	
	C000567	Screw	2 required for cold manifold to valve panel; 4 required for vacuum breaker to valve panel
	F431024	Nut	2 required for drain valve to drain valve mounting bracket; 2 required for cold manifold to valve panel
	F430935	Screw	2 required for drain valve to drain valve mounting bracket
	C000585	Washer	2 required for drain valve to drain valve mounting bracket; Models through 3/23/04
	C000571	Washer	4 required for drain valve to drain valve mounting bracket; Models starting 3/23/04
	F200128P	Water Hose	Cold water valve to vacuum breaker
	F8514701	Coil	Use with F8322909 Steam Valve
	F8382301	DIN Valve Adapter Kit	Use with F8322909 Steam Valve
	F8379504	Valve Rebuild Kit	Use with F8322909 Steam Valve
1	C001106	Cold Plumbing Assembly	Includes items 2-5
2	C001366	Flange and Nipple Assembly	
3	F380991P	Water Valve Repair Kit	3/4 inch; Use with F381700P Valve
	F8322909P	Valve	Replaces F381700P Valve: Includes F8322909 Steam Valve and F8514701 Coil
4	F380986P	DIN Coil	120 Volt
	F380987P	DIN Coil	240 Volt
5	F421951	Hose Barb	
6	F420502	Street Elbow	Galvanized

Auxiliary Plumbing Assembly

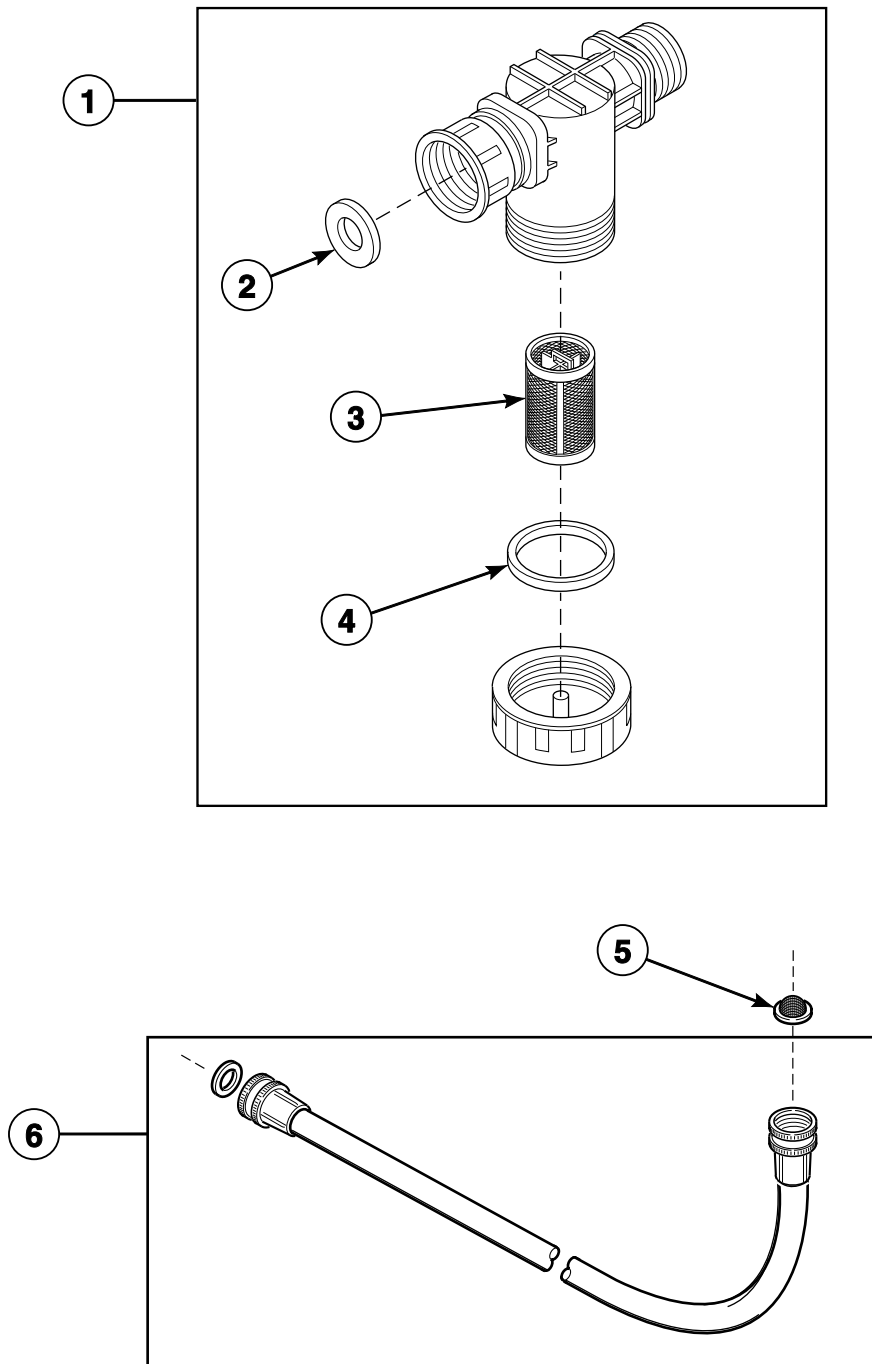


PHM2740P_C002874

Auxiliary Plumbing Assembly

REF	PART NO.	DESCRIPTION	COMMENTS
	C000567	Screw	4 required for vacuum breaker to valve panel
	F430935	Screw	2 required for drain valve to drain valve mounting bracket
	F431024	Nut	2 required for drain valve to drain valve mounting bracket
	C000585	Washer	2 required for drain valve to drain valve mounting bracket; Models through 3/23/04
	C000571	Washer	4 required for drain valve to drain valve mounting bracket; Models starting 3/23/04
	F200128P	Water Hose	Auxiliary fill water valve to vacuum breaker
	F8514701	Coil	Use with F8322909 Steam Valve
	F8382301	DIN Valve Adapter Kit	Use with F8322909 Steam Valve
	F8379504	Valve Rebuild Kit	Use with F8322909 Steam Valve
	F380986P	DIN Coil	120 Volt; Parker
1	C001187	Auxiliary Plumbing Assembly	Includes items 2-4
2	C001366	Flange and Nipple Assembly	
3	F380991P	Water Valve Repair Kit	3/4 inch; Use with F381700P Valve
	F8322909P	Valve	Replaces F381700P Valve: Includes F8322909 Steam Valve and F8514701 Coil
4	F421951	Hose Barb	

Supply Hose and Filter (Optional)



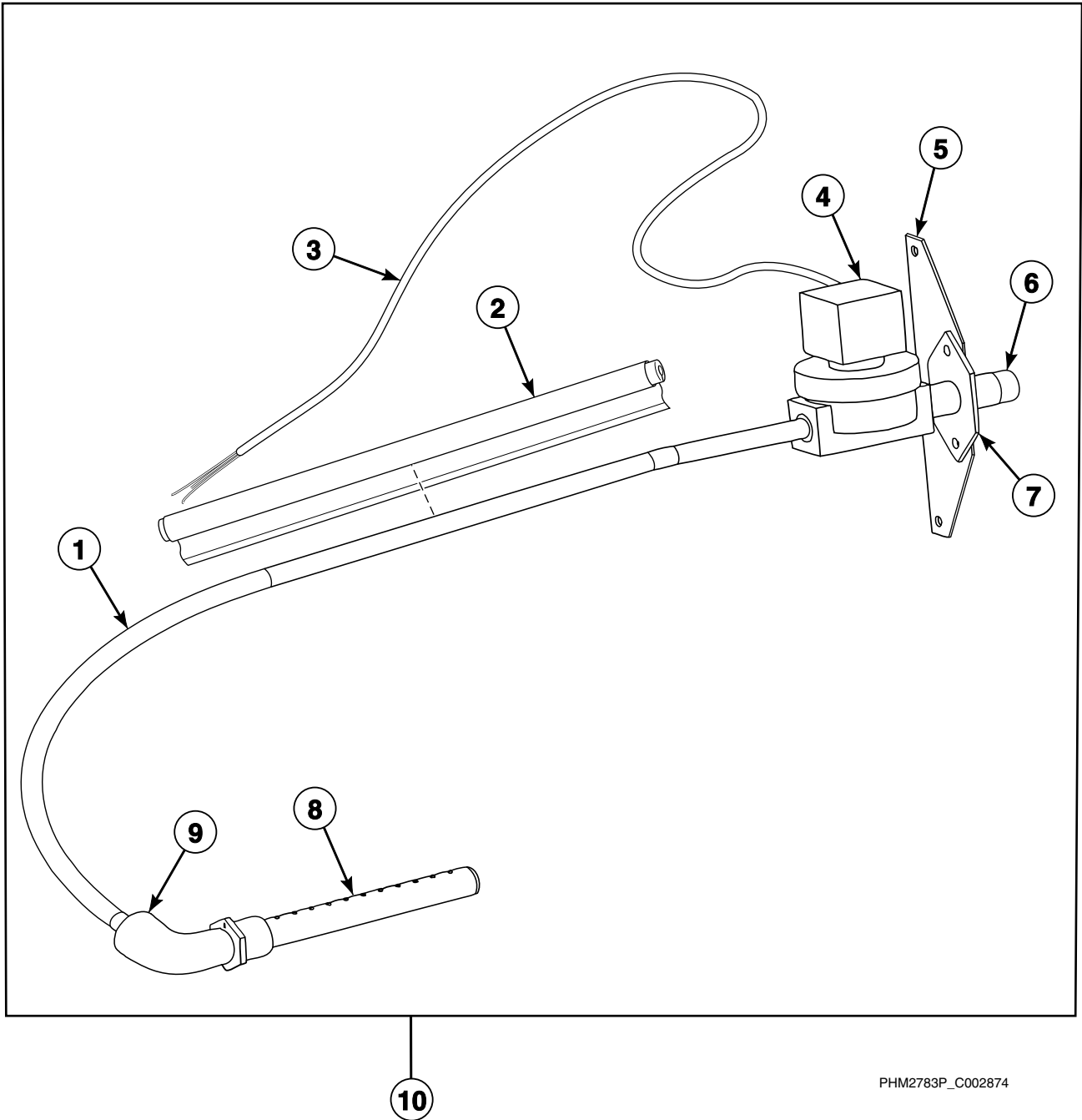
B091P_C002874

Supply Hose and Filter (Optional)

REF	PART NO.	DESCRIPTION	COMMENTS
1	F270306P	Filter	Standard thread
	F270305	Filter	Metric thread
2	803615	Washer	Filter
3	F270406	Replacement Filter	.11 mm
	F270405	Replacement Filter	.25 mm
4	F270407	Filter Housing Cap Gasket	
5	803615	Washer	Filter
6	F200116	Water Hose	3/8 inch; Standard thread
	F200164	Water Hose	3/4 inch; Standard thread
	F200165	Water Hose	3/8 inch; Metric thread
	F200166	Water Hose	3/4 inch; Metric thread

Steam Heat Assembly

Models CP040PHN1, CP040PHQ1, CP040PHX2, CP040PMN1, CP040PMQ1, CP040PMX2, CPC40H, CPC40M, IP040PHN1, IP040PHN2, IP040PHQ1, IP040PHX2, IP040PMN1, IP040PMQ1, IP040PMX2, IPH40H, IPH40M, IPH180, JP040PHN1 and JP040PHQ1



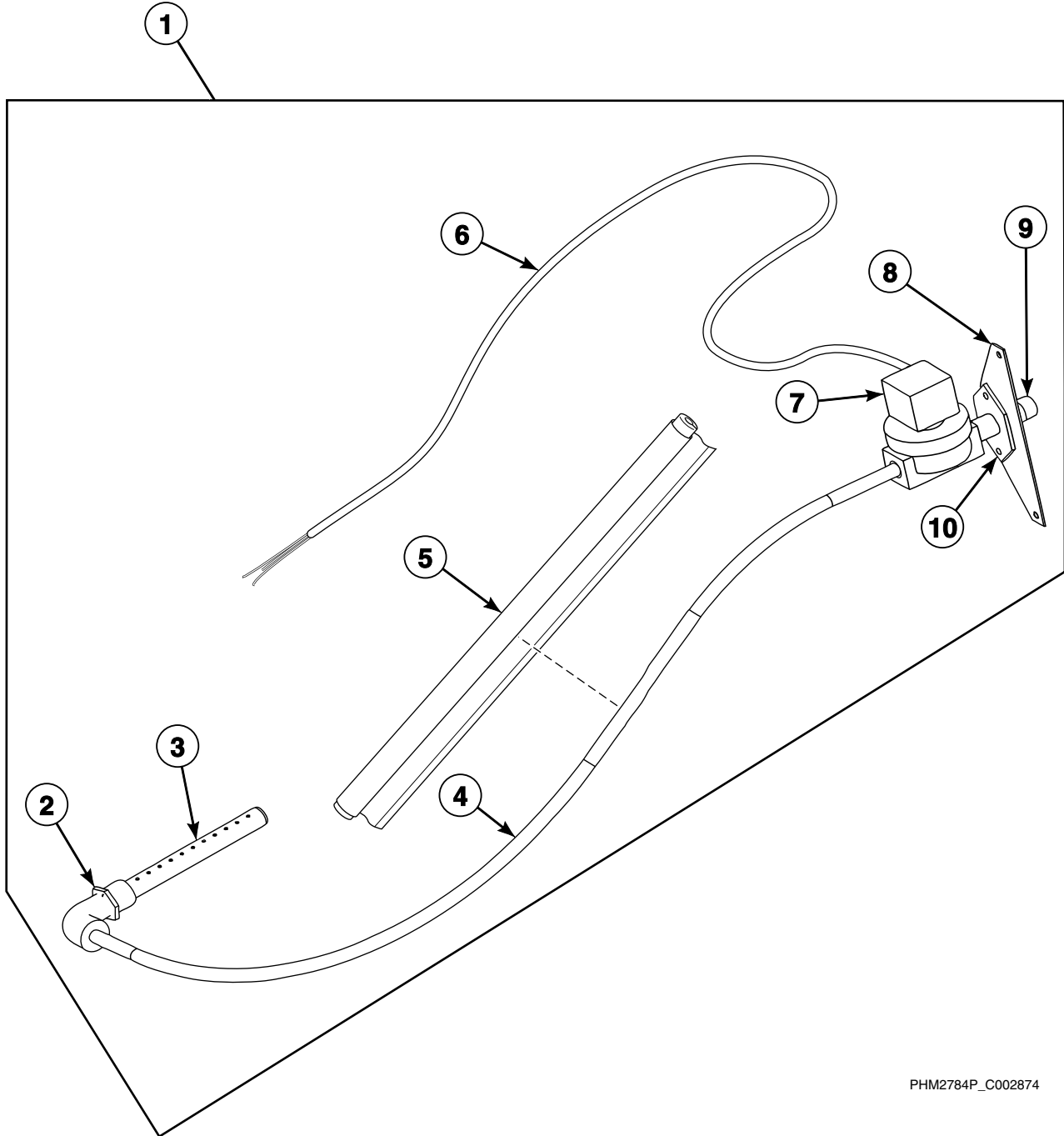
PHM2783P_C002874

Steam Heat Assembly

REF	PART NO.	DESCRIPTION	COMMENTS
	F8514701	Coil	Use with F8322802 Valve
	F8382301	DIN Valve Adapter Kit	Use with F8322802 Valve
	F8379501P	Valve Kit	Use with F8322802 Valve
	F380986P	DIN Coil	120 Volt; Parker
1	C000775	Steam Hose	
2	C001003	Steam Hose Insulation	
3	C002748P	Steam Cord Assembly	
4	F8322802	Valve	Replaces F380786P Steam Valve; Includes F8514701 Coil; For models that have been upgraded with F8521601 DIN Valve Kit
	F8521601	DIN Valve Kit	Replaces F380786P Steam Valve; Includes F8322802 Valve and F8514701 Coil
5	C000981	Steam Valve Mounting Bracket	
6	C000999	Nipple	
7	C000733	Steam Valve Mounting Flange	
8	F8368201	Steam Injector Tube Assembly	
9	F421703	Street Elbow	
10	C001009	Steam Option Assembly	Includes items 1-8

Steam Option Assembly

Models CP060PHN1, CP060PHN2, CP060PHQ1, CP060PHQ2, CP060PHX1, CP060PHX2, CP060PMN1, CP060PMQ1, CP060PMX2, CPC60H, CPC60M, IP060PHN1, IP060PHN2, IP060PHQ1, IP060PHQ2, IP060PHX2, IP060PMN1, IP060PMN2, IP060PMQ1, IP060PMX2, IPH60H, IPH60M, IPH270, JP060PHN1, JP060PHN2, JP060PHQ1 and JP060PMQ1



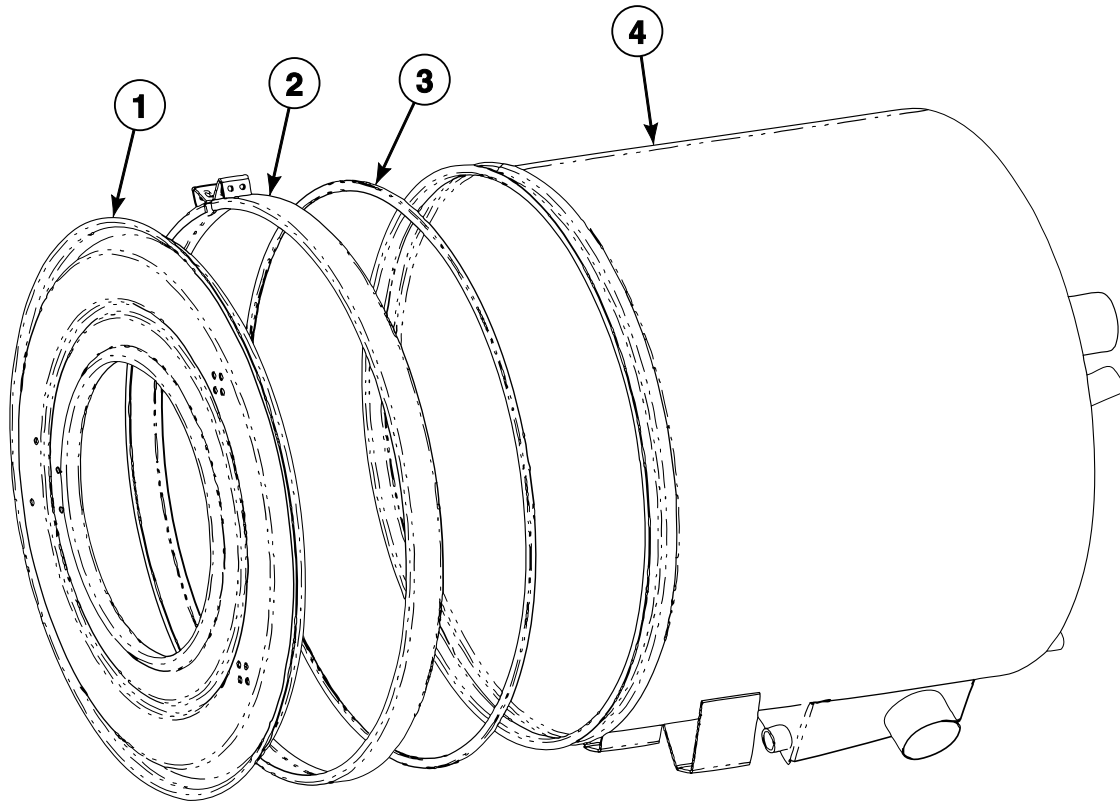
PHM2784P_C002874

Steam Option Assembly

REF	PART NO.	DESCRIPTION	COMMENTS
	F8514701	Coil	Use with F8322802 Valve
	F8382301	DIN Valve Adapter Kit	Use with F8322802 Valve
	F8379501P	Valve Kit	Use with F8322802 Valve
	F380986P	DIN Coil	120 Volt; Parker
1	C001002	Steam Option Assembly	Includes items 2-9
2	F421703	Street Elbow	
3	F83638201	Steam Injector Tube Assembly	
4	C000736	Steam Hose	
5	C001003	Steam Hose Insulation	
6	C002748P	Steam Cord Assembly	
7	F8322802	Valve	Replaces F380786P Steam Valve; Includes F8514701 Coil; For models that have been upgraded with F8521601 DIN Valve Kit
	F8521601	DIN Valve Kit	Replaces F380786P Steam Valve; Includes F8322802 Valve and F8514701 Coil
8	C000981	Steam Valve Mounting Bracket	
9	C000999	Nipple	
10	C000733	Steam Valve Mounting Flange	

Shell Assembly (Drawing 1 of 2)

Models CP040PHN1, CP040PHQ1, CP040PHX2, CP040PMN1, CP040PMQ1, CP040PMX2, CPC40H, CPC40M, IP040PHN1, IP040PHN2, IP040PHQ1, IP040PHX2, IP040PMN1, IP040PMQ1, IP040PMX2, IPH40H, IPH40M, IPH180, JP040PHN1 and JP040PHQ1



PHM2785P_C002874

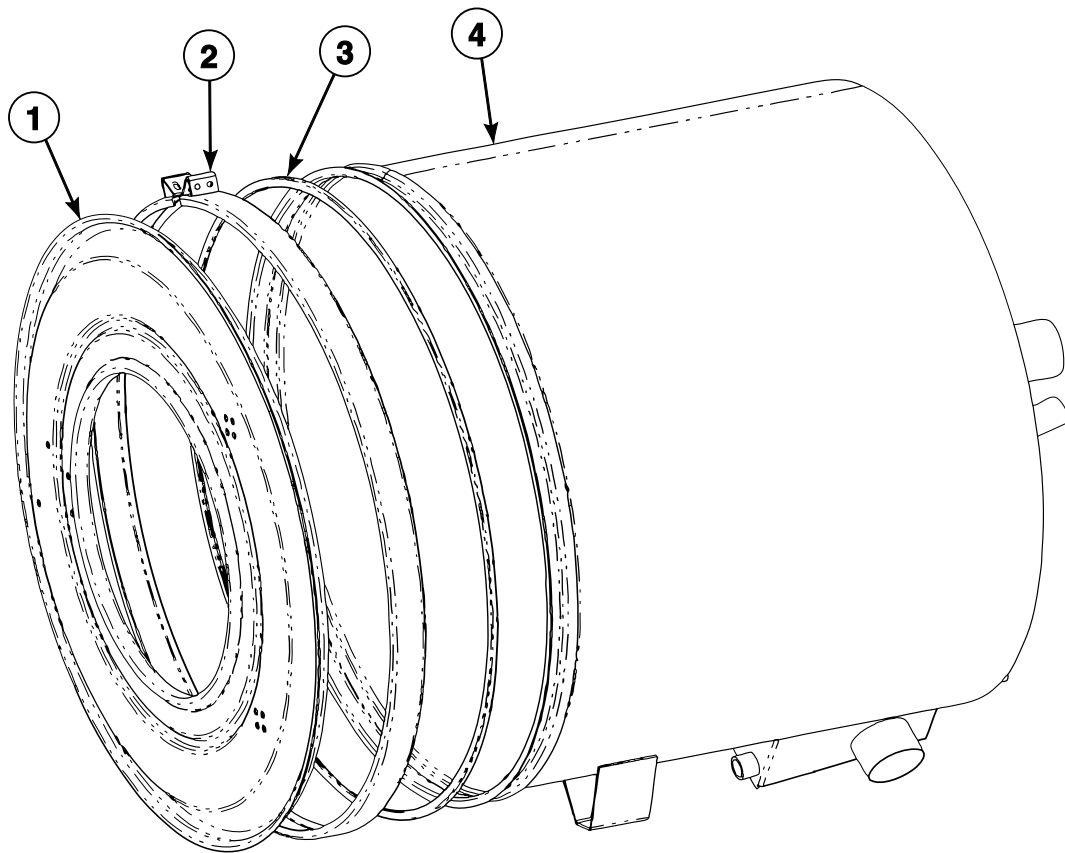
Shell Assembly (Drawing 1 of 2)

REF	PART NO.	DESCRIPTION	COMMENTS
	C001856	Screw	2 required; To hold shell band together
	F431024	Nut	2 required; To hold shell band together
	C000590	Washer	4 required for models through 3/23/04; As required for models starting 3/23/04; To hold shell band together
	C000273	Bolt	4 required for shell support bracket to frame; 2 required for shell support bracket to shell
	C000611	Nut	4 required for shell support bracket to frame; 2 required for shell support bracket to shell
	C000583	Washer	8 required for shell support bracket to frame; 4 required for shell support bracket to shell
	C000561	Bolt	8 required for shell back to frame; Models through 1/10/10
	70391101	Screw	8 required for shell back to frame; Models starting 1/11/10
	C000599	Vacuum Breaker Hose	Air trap to water level switch; Models starting 3/23/04
1	C002975	Shell Front Assembly	
2	C001735	Shell Band and Clamp Weldment	
3	N/A	Shell Front Gasket	Models through 3/23/04
	C001762	Shell Front Gasket	Models starting 3/23/04
4	C000518	Shell Assembly	

N/A = Part no longer available

Shell Assembly (Drawing 2 of 2)

Models CP060PHN1, CP060PHN2, CP060PHQ1, CP060PHQ2, CP060PHX1, CP060PHX2, CP060PMN1, CP060PMQ1, CP060PMX2, CPC60H, CPC60M, IP060PHN1, IP060PHN2, IP060PHQ1, IP060PHQ2, IP060PHX2, IP060PMN1, IP060PMN2, IP060PMQ1, IP060PMX2, IPH60H, IPH60M, IPH270, JP060PHN1, JP060PHN2, JP060PHQ1 and JP060PMQ1



PHM2786P_C002874

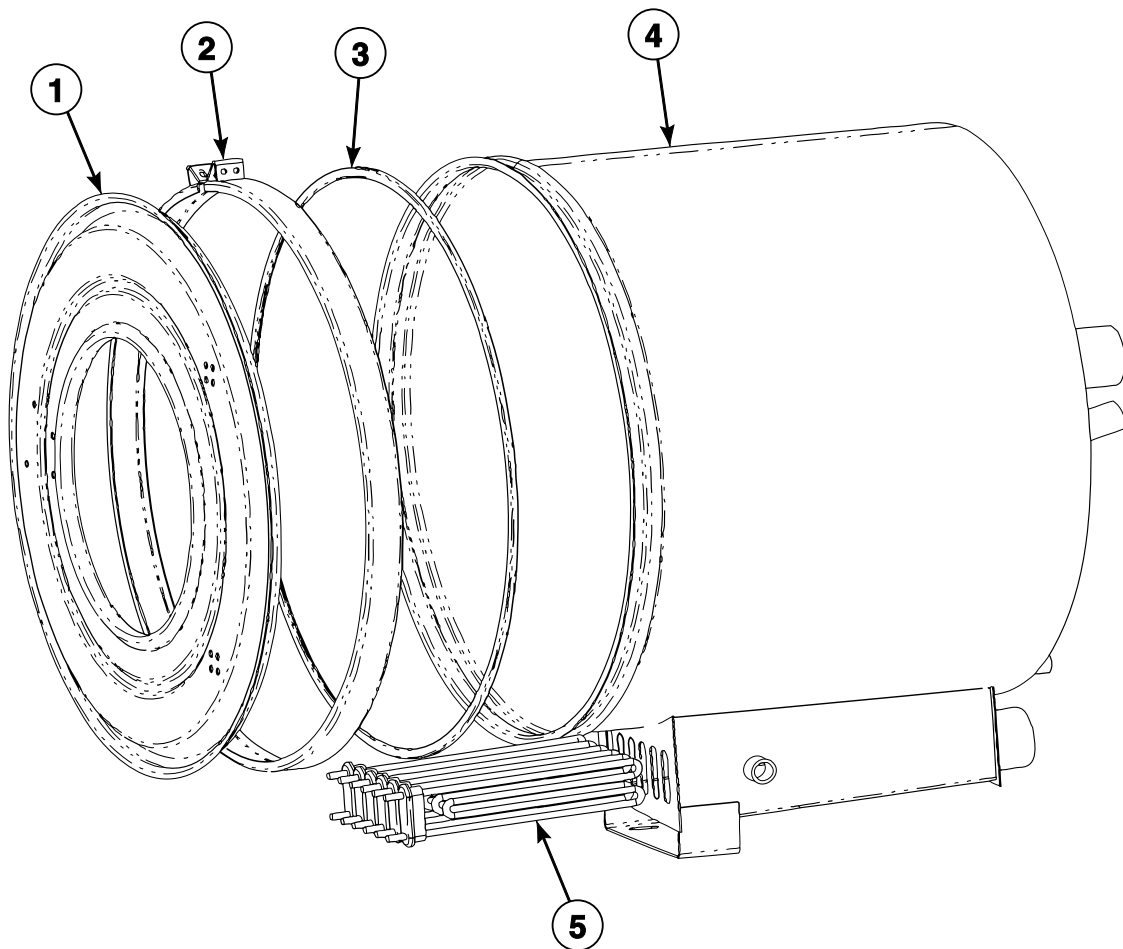
Shell Assembly (Drawing 2 of 2)

REF	PART NO.	DESCRIPTION	COMMENTS
	C001856	Screw	2 required; To hold shell band together
	F431024	Nut	2 required; To hold shell band together
	C000590	Washer	4 required for models through 3/23/04; As required for models starting 3/23/04; To hold shell band together
	C000273	Bolt	4 required for shell support bracket to frame; 2 required for shell support bracket to shell
	C000611	Nut	4 required for shell support bracket to frame; 2 required for shell support bracket to shell
	C000583	Washer	8 required for shell support bracket to frame; 4 required for shell support bracket to shell
	C000561	Bolt	8 required for shell back to frame; Models through 3/23/04
	C001032	Screw	8 required for shell back to frame; Models starting 3/23/04
	C000599	Vacuum Breaker Hose	Air trap to water level switch; Models starting 3/23/04
1	C002976P	Shell Front Assembly	
2	N/A	Shell Band Assembly	Models through 3/23/04
	F601216	Shell Gasket Shield	Models through 3/23/04
	C000659	Shell Band and Clamp Weldment	Models starting 3/23/04
3	N/A	Shell Front Gasket	Models through 3/23/04
	C001763P	Shell Front Gasket	Models starting 3/23/04
4	C000093	Shell Support	

N/A = Part no longer available

Electric Heat Shell Assembly (Drawing 1 of 2)

Models CP040PHN1, CP040PHQ1, CP040PHX2, CP040PMN1, CP040PMQ1, CP040PMX2, CPC40H, CPC40M, IP040PHN1, IP040PHN2, IP040PHQ1, IP040PHX2, IP040PMN1, IP040PMQ1, IP040PMX2, IPH40H, IPH40M, IPH180, JP040PHN1 and JP040PHQ1



PHM2787P_C002874

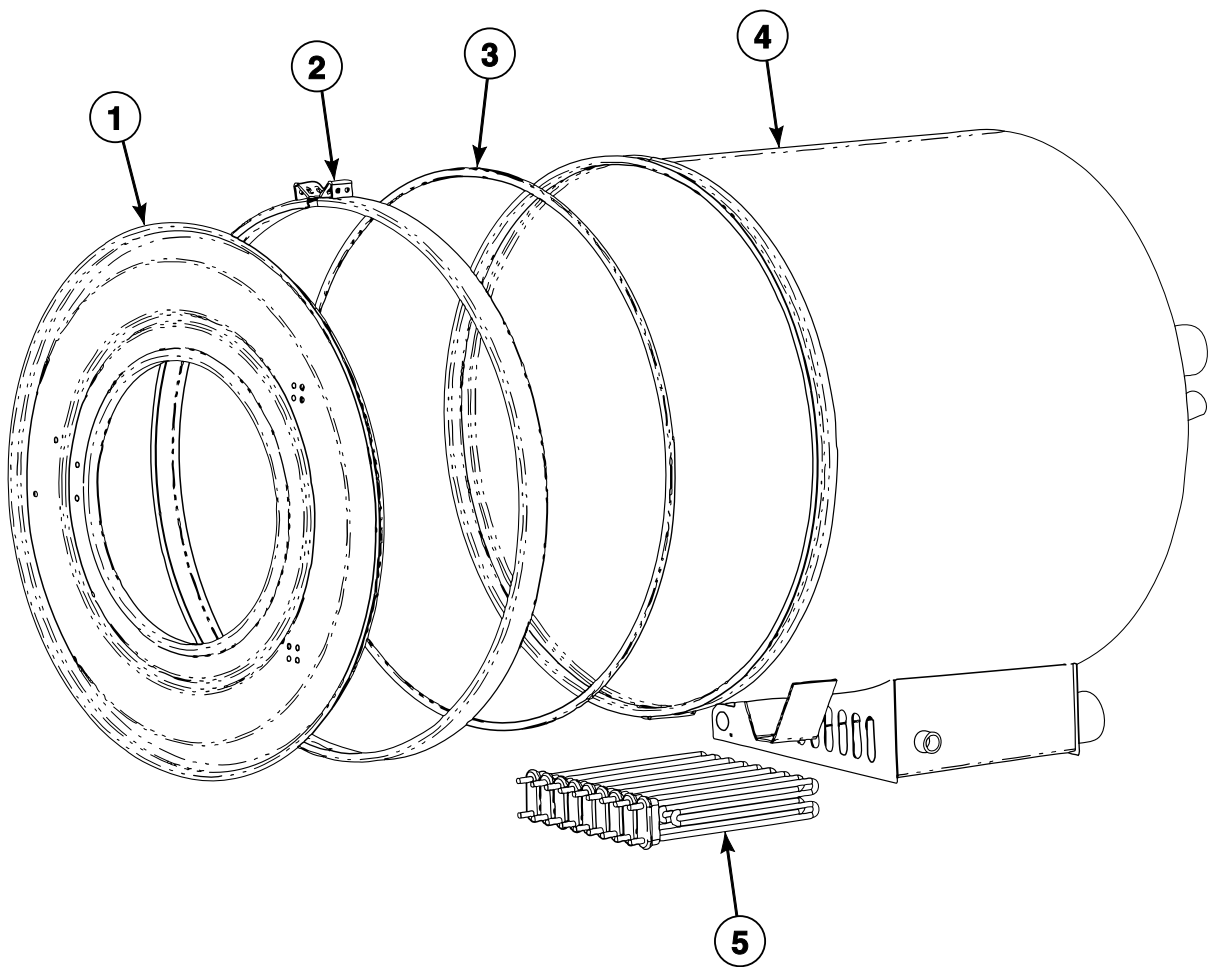
Electric Heat Shell Assembly (Drawing 1 of 2)

REF	PART NO.	DESCRIPTION	COMMENTS
	C001856	Screw	2 required; To hold shell band together
	F431024	Nut	2 required; To hold shell band together
	C000590	Washer	4 required for models through 3/23/04; As required for models starting 3/23/04; To hold shell band together
	C000273	Bolt	4 required for shell support bracket to frame; 2 required for shell support bracket to shell
	C000611	Nut	4 required for shell support bracket to frame; 2 required for shell support bracket to shell
	C000583	Washer	8 required for shell support bracket to frame; 4 required for shell support bracket to shell
	C000561	Bolt	8 required for shell back to frame; Models through 3/23/04
	C001032	Screw	8 required for shell back to frame; Models starting 3/23/04
	C002755	Electric Heat Harness	
	C002756	Electric Heat Harness	
	C002724	Electric Heat Harness	Option 1
	C002830	Electric Heat Harness	Option 2
	C002758	Electric Heat Harness	200-240 Volt
1	C002975	Shell Front Assembly	
2	C001735	Shell Band and Clamp Weldment	
3	N/A	Shell Front Gasket	Models through 3/23/04
	C001762	Shell Front Gasket	Models starting 3/23/04
4	C000949	Electric Heat Shell Assembly	
5	209/00562/30	Heating Element	

N/A = Part no longer available

Electric Heat Shell Assembly (Drawing 2 of 2)

Models CP060PHN1, CP060PHN2, CP060PHQ1, CP060PHQ2, CP060PHX1, CP060PHX2, CP060PMN1, CP060PMQ1, CP060PMX2, CPC60H, CPC60M, IP060PHN1, IP060PHN2, IP060PHQ1, IP060PHQ2, IP060PHX2, IP060PMN1, IP060PMN2, IP060PMQ1, IP060PMX2, IPH60H, IPH60M, IPH270, JP060PHN1, JP060PHN2, JP060PHQ1 and JP060PMQ1



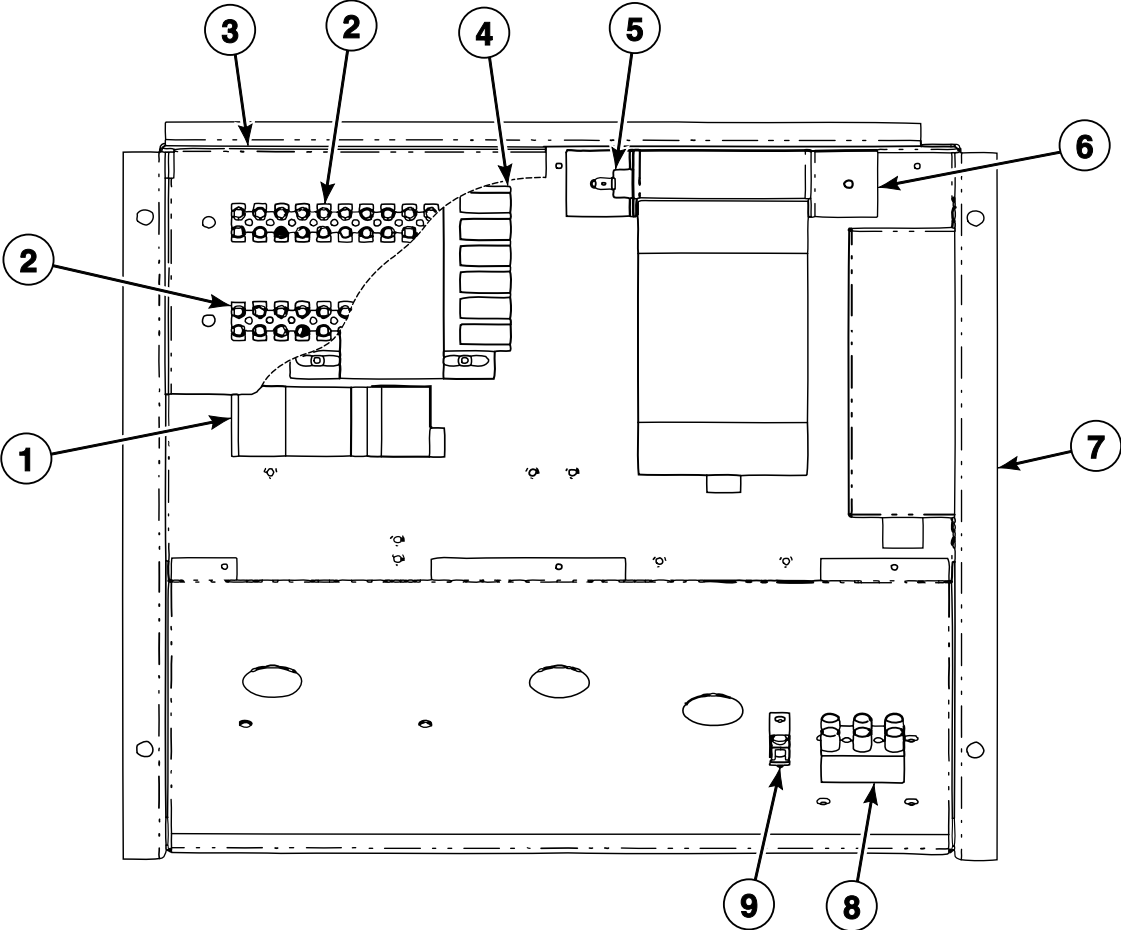
PHM2788P_C002874

Electric Heat Shell Assembly (Drawing 2 of 2)

REF	PART NO.	DESCRIPTION	COMMENTS
	C001232	Air Trap Tube	Models through 3/23/04
	C001856	Screw	2 required; To hold shell band together
	F431024	Nut	2 required; To hold shell band together
	C000590	Washer	4 required for models through 3/23/04; As required for models starting 3/23/04; To hold shell band together
	C000273	Bolt	4 required for shell support bracket to frame; 2 required for shell support bracket to shell
	C000611	Nut	4 required for shell support bracket to frame; 2 required for shell support bracket to shell
	C000583	Washer	8 required for shell support bracket to frame; 4 required for shell support bracket to shell
	C000561	Bolt	8 required for shell back to frame; Models through 3/23/04
	C001032	Screw	8 required for shell back to frame; Models starting 3/23/04
1	C002976P	Shell Front Assembly	
2	N/A	Shell Band Assembly	Models through 3/23/04
	F601216	Shell Gasket Shield	Models through 3/23/04
	C000659	Shell Band and Clamp Weldment	Models starting 3/23/04
3	N/A	Shell Front Gasket	Models through 3/23/04
	C001763P	Shell Front Gasket	Models starting 3/23/04
4	C000950	Electric Heat Shell Assembly	
5	209/00562/30	Heating Element	

N/A = Part no longer available

Drive Box Assembly



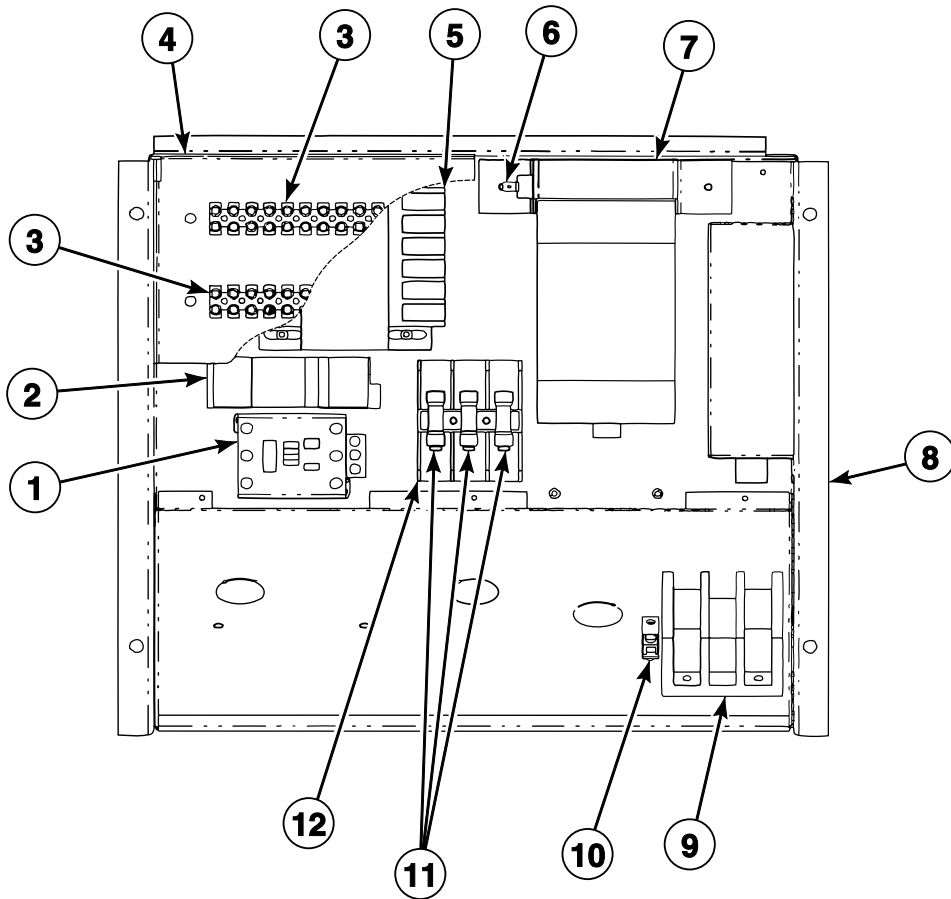
PHM2747P_C002874

Drive Box Assembly

REF	PART NO.	DESCRIPTION	COMMENTS
	C000866	Rear Enclosure Harness	
	C000567	Screw	4 required for drive box to valve panel
	C000571	Washer	4 required for drive box to valve panel
	F430909	Screw	2 required for exhaust bracket to box; 4 required for chemical terminal mounting bracket to box for models through 3/23/04; 3 required for chemical terminal mounting bracket to box for models starting 3/23/04; 4 required for AC drive to box; 4 required for EMI filter to box; 4 required for transformer to box; 2 required for ground lug to box
	F431133	Washer	4 required for AC drive to box
	C000575	Screw	2 required for input power block to box
	F430938	Screw	4 required for cooling fan to valve panel; 2 required for chemical signal terminal block to bracket
	C000568	Nut	4 required for cooling fan to valve panel; 2 required for chemical signal terminal block to bracket
	C002779	Chemical Supply Harness	PT1
	C002780	Chemical Supply Harness	PT2
	C002781	Chemical Supply Harness	PT3
	C003020	Electric Heat Control Harness	
	F140602	Tie Wrap Mounting Clamp	
1	N/A	Circuit Breaker	Design 1 models; 1 Amp; 380-480 Volt; Order C0977P3 Circuit Breaker Kit
	N/A	Circuit Breaker	Design 1 models; 2 Amp; 200-240 Volt; Order C0978P3 Circuit Breaker Kit
	C0977P3	Circuit Breaker Kit	380-480 Volt; Includes F350217 Circuit Breaker
	C0978P3	Circuit Breaker Kit	200-240 Volt; Includes C003135 Circuit Breaker
	F350217	Circuit Breaker	Design 2 models or models that have been retrofitted with C0977P3 Circuit Breaker Kit; .5 Amp; 380-480 Volt
	C003135P	Circuit Breaker	Design 2 models or models that have been retrofitted with C0978P3 Circuit Breaker Kit; 1 Amp; 200-240 Volt
2	C000370	Power Block Terminal	12 pole; Chemical supply
3	C000373	Mounting Bracket	
4	C000203	Transformer	150VA
5	C000318	Thermostat	
6	C000323	Exhaust Bracket	
7	C001050	Drive Box Assembly	
8	C000290	Power Block Terminal	Non-electric heat models only
9	N/A	Ground Terminal	

N/A = Part no longer available

Electric Heat Drive Box Assembly



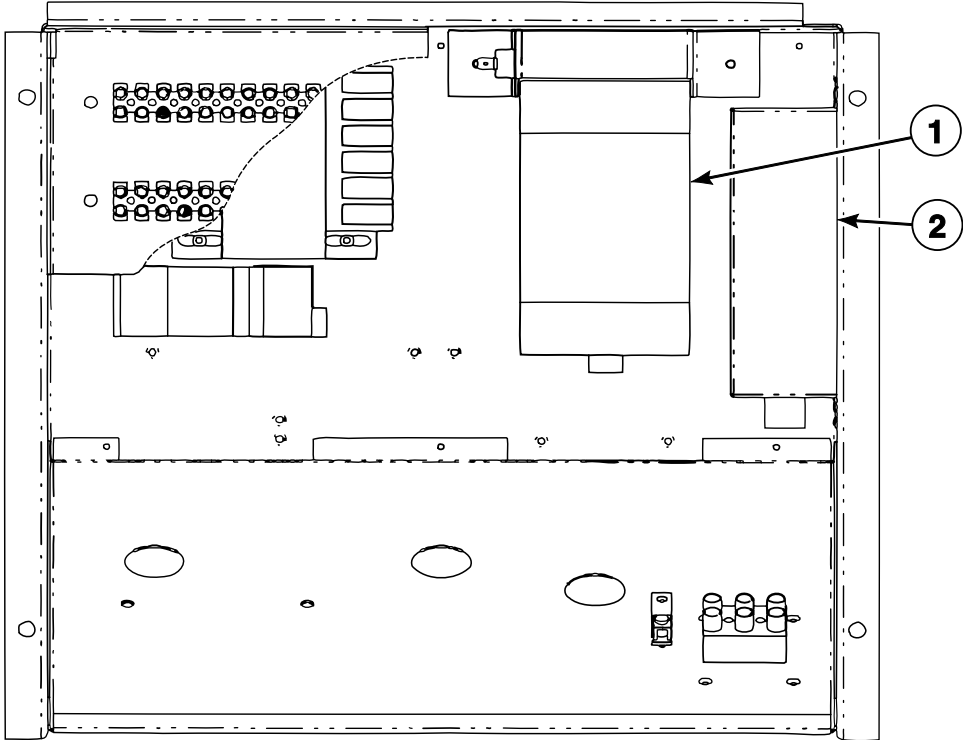
PHM2748P_C002874

Electric Heat Drive Box Assembly

REF	PART NO.	DESCRIPTION	COMMENTS
	C000567	Screw	4 required for drive box to valve panel
	C000571	Washer	4 required for drive box to valve panel
	F430909	Screw	2 required for exhaust bracket to box; 4 required for chemical terminal mounting bracket to box for models through 3/23/04; 3 required for chemical terminal mounting bracket to box for models starting 3/23/04; 4 required for AC drive to box; 4 required for EMI filter to box; 4 required for transformer to box; 2 required for ground lug to box
	F431133	Washer	4 required for AC drive to box
	C000575	Screw	2 required for input power block to box
	F430938	Screw	4 required for cooling fan to valve panel; 2 required for chemical signal terminal block to bracket
	C000568	Nut	4 required for cooling fan to valve panel; 2 required for chemical signal terminal block to bracket
1	C000308P	Contactor	400 Volt; 50 Amp
	C000309P	Contactor	200 Volt; 85 Amp
2	N/A	Circuit Breaker	Design 1 models; 1 Amp; 380-480 Volt; Order C0977P3 Circuit Breaker Kit
	N/A	Circuit Breaker	Design 1 models; 2 Amp; 200-240 Volt; Order C0978P3 Circuit Breaker Kit
	C0977P3	Circuit Breaker Kit	380-480 Volt; Includes F350217 Circuit Breaker
	C0978P3	Circuit Breaker Kit	200-240 Volt; Includes C003135 Circuit Breaker
	F350217	Circuit Breaker	Design 2 models or models that have been retrofitted with C0977P3 Circuit Breaker Kit
	C003135P	Circuit Breaker	Design 2 models or models that have been retrofitted with C0978P3 Circuit Breaker Kit
3	C000370	Power Block Terminal	Chemical supply
4	C000373	Mounting Bracket	
5	C000203	Transformer	
6	C000318	Thermostat	
7	C000323	Exhaust Bracket	
8	C001050	Drive Box Assembly	
9	M413865	Power Distribution Block	
10	N/A	Ground Lug Terminal	
11	C001194	Fuse	15 Amp; Models CP060PHN1, CP060PHQ1, CP060PMN1, CP060PMQ1, CPC60H, CPC60M, IP060PHN1, IP060PHQ1, IP060PMN1, IP060PMQ1, IPH60H, IPH60M and IPH270
	C001196	Fuse	10 Amp; All other models
12	C001197	Fuse Holder	

N/A = Part no longer available

AC Drive and EMI Filter



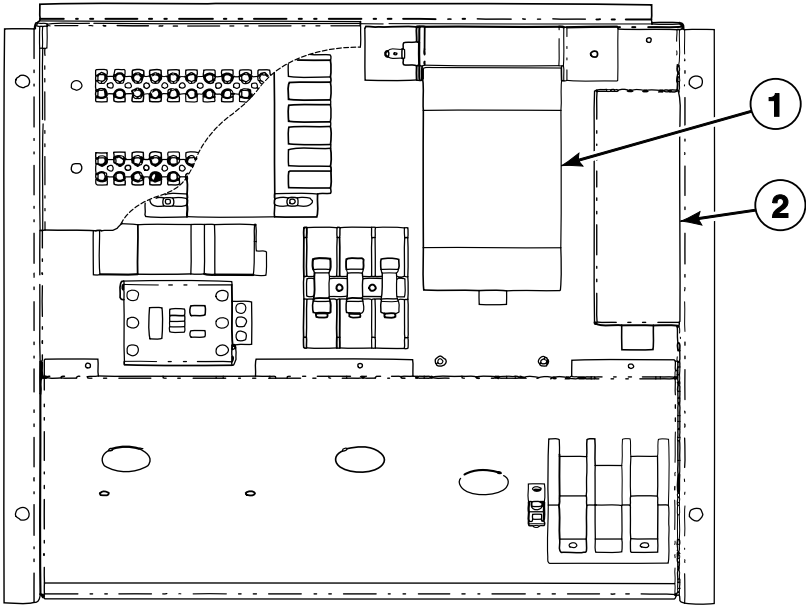
PHM2747PA_C002874

AC Drive and EMI Filter

REF	PART NO.	DESCRIPTION	COMMENTS
1	C000287	Inverter	200-240 Volt; 2 hp; Models CP040PHQ1, CP040PMQ1, CP060PMQ1, CPC40H, CPC40M, CPC60M, IP040PHQ1, IP040PMQ1, IP060PMQ1, IPH40H, IPH40M, IPH60M, IPH180 and IPH270
	N/A	Inverter	200-240 Volt; 3 hp; Models CP060PHQ1, CPC60H, IP060PHQ1, IPH60H and JP060PHQ1; Order C003043 160-series to PowerFlex 40 Drive Kit
	C000288	Inverter	380-480 Volt; 2 hp; Models CP040PHN1, CP040PMN1, CP060PMN1, CPC40H, CPC40M, CPC60M, IP040PHN1, IP040PMN1, IP060PMN1, IPH40H, IPH40M, IPH60M, IPH180, IPH270 and JP040PHN1; Order C003033 160-series to PowerFlex 40 Drive Kit
	N/A	Inverter	380-480 Volt; 3 hp; Models CP060PHN1, CPC60H, IP060PHN1 and IPH60H; Order C003045 160-series to PowerFlex 40 Drive Kit
2	F330281	EMI Filter	380-480 Volt; Models CP040PHN1, CP040PMN1, CP060PMN1, CPC40H, CPC40M, CPC60M, IP040PHN1, IP040PMN1, IP060PMN1, IPH40H, IPH40M, IPH60M, IPH180 and IPH270
	F330280P	EMI Filter	200-240 Volt models CP040PMQ1, CP060PHQ1, CP060PMQ1, CPC40H, CPC40M, CPC60H, CPC60M, IP040PHQ1, IP040PMQ1, IP060PHQ1, IP060PMQ1, IPH40H, IPH40M, IPH60H, IPH60M, IPH180 and IPH270; 400 Volt models CP060PHN1, CPC60H, IP060PHN1 and IPH60H

N/A = Part no longer available

AC Drive and EMI Filter - Electric Heat Models



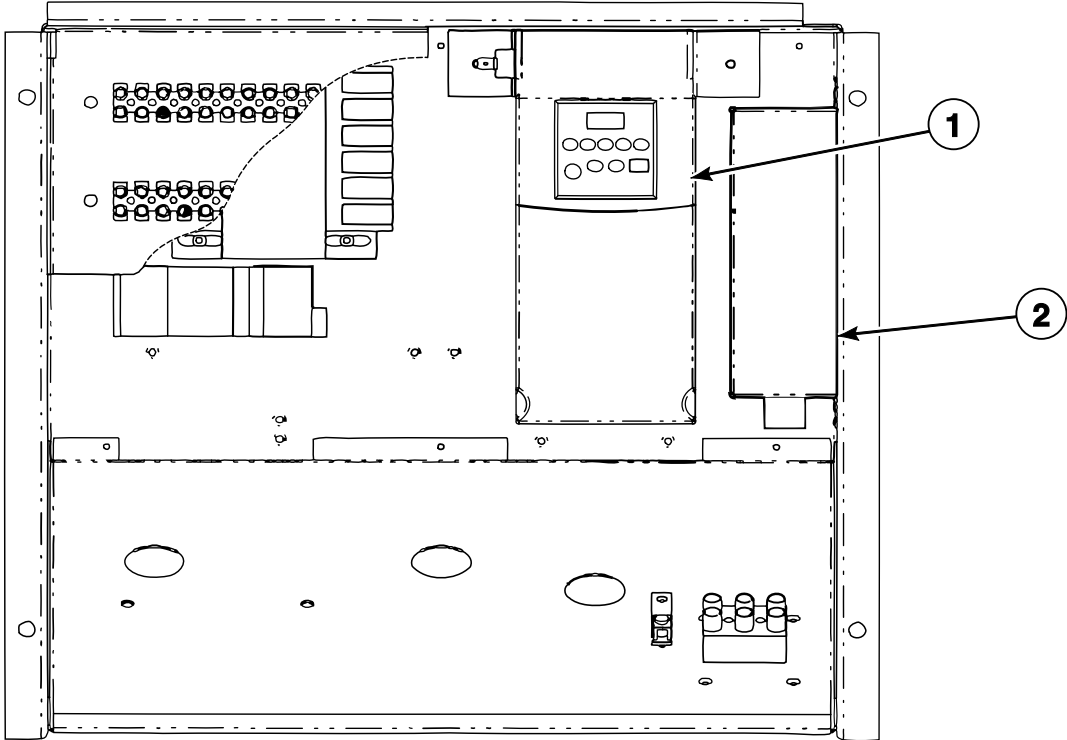
PHM2748PA_C002874

AC Drive and EMI Filter - Electric Heat Models

REF	PART NO.	DESCRIPTION	COMMENTS
1	C000287	Inverter	200-240 Volt; 2 hp; Models CP040PHQ1, CP040PMQ1, CP060PMQ1, CPC40H, CPC40M, CPC60M, IP040PHQ1, IP040PMQ1, IP060PMQ1, IPH40H, IPH40M, IPH60M, IPH180 and IPH270
	N/A	Inverter	200-240 Volt; 3 hp; Models CP060PHQ1, CPC60H, IP060PHQ1, IPH60H and JP060PHQ1; Order C003043 160-series to PowerFlex 40 Drive Kit
	C000288	Inverter	380-480 Volt; 2 hp; Models CP040PHN1, CP040PMN1, CP060PMN1, CPC40H, CPC40M, CPC60M, IP040PHN1, IP040PMN1, IP060PMN1, IPH40H, IPH40M, IPH60M, IPH180 and IPH270; Order C003033 160-series to PowerFlex 40 Drive Kit
	N/A	Inverter	380-480 Volt; 3 hp; Models CP060PHN1, CPC60H, IP060PHN1 and IPH60H; Order C003045 160-series to PowerFlex 40 Drive Kit
2	F330281	EMI Filter	380-480 Volt; Models CP040PHN1, CP040PMN1, CP060PMN1, CPC40H, CPC40M, CPC60M, IP040PHN1, IP040PMN1, IP060PMN1, IPH40H, IPH40M, IPH60M, IPH180 and IPH270
	F330280P	EMI Filter	200-240 Volt models CP040PMQ1, CP060PHQ1, CP060PMQ1, CPC40H, CPC40M, CPC60H, CPC60M, IP040PHQ1, IP040PMQ1, IP060PHQ1, IP060PMQ1, IPH40H, IPH40M, IPH60H, IPH60M, IPH180 and IPH270; 400 Volt models CP060PHN1, CPC60H, IP060PHN1 and IPH60H

N/A = Part no longer available

PowerFlex Drive and EMI Filter - Design 1 Models



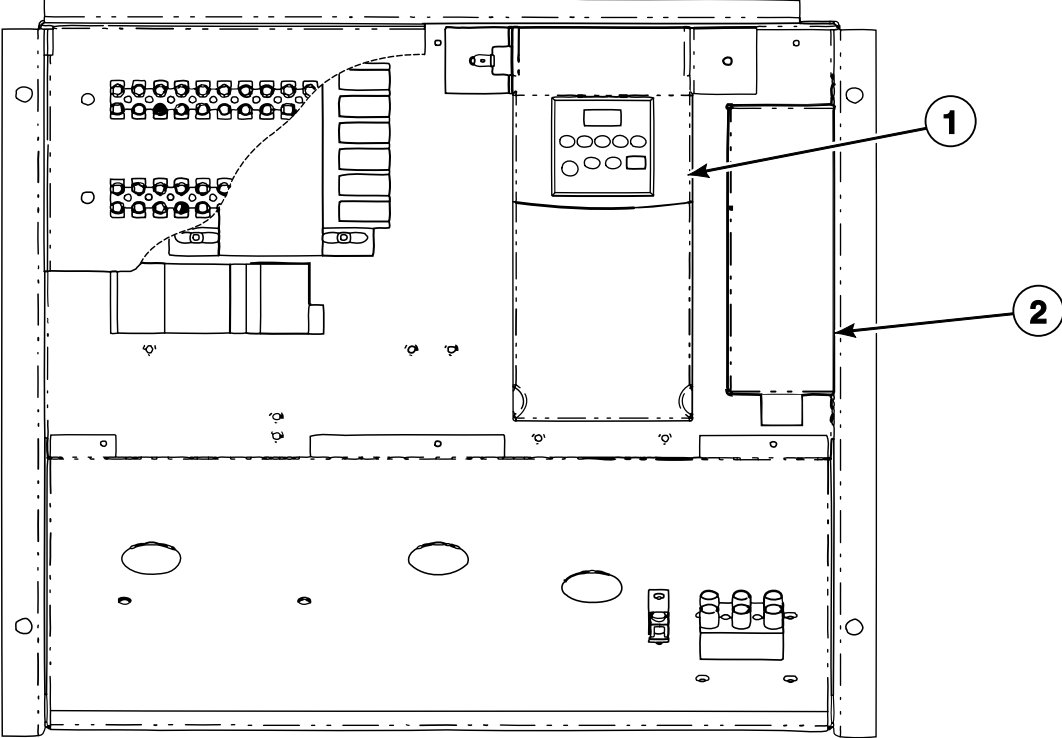
PHM3028P_C002874

PowerFlex Drive and EMI Filter - Design 1 Models

REF	PART NO.	DESCRIPTION	COMMENTS
	C003028	Harness	
1	C003031	160-Series to PowerFlex 40 Drive Kit	200-240 Volt; CP040, CPC40, IP040 and IPH40 M-series models; Models with LM26252 Lincoln Motor; Includes F8168603 AC Drive
	C003039	160-Series to PowerFlex 40 Drive Kit	200-240 Volt; CP060, CPC60, IP060, IPH60 and JP060 M-series models; Includes F8168603 AC Drive
	C003033	160-Series to PowerFlex 40 Drive Kit	380-480 Volt; CP040, CPC40, IP040 and IPH40 M-series models; Models with LM26252 Lincoln Motor; Includes F8168604 AC Drive
	C003041	160-Series to PowerFlex 40 Drive Kit	380-480 Volt; CP060, CPC60, IP060, IPH60 and JP060 M-series models; Includes F8168604 AC Drive
	C003035	160-Series to PowerFlex 40 Drive Kit	200-240 Volt; CP040, CPC40, IP040, IPH40 and JP040 H-series models; Includes F8168603 AC Drive
	C003043	160-Series to PowerFlex 40 Drive Kit	200-240 Volt; CP060, CPC60, IP060, IPH60 and JP060 H-series models; Includes F8168603 AC Drive
	C003046	PowerFlex 40 Drive	380-480 Volt; CP060, CPC60, IP060, IPH60 and JP060 H-series models that have been retrofitted with C003045 160-series to PowerFlex 40 Drive Kit; Includes F8168604 AC Drive
	C003044	PowerFlex 40 Drive	200-240 Volt; CP060, CPC60, IP060, IPH60 and JP060 H-series models that have been retrofitted with C003043 160-series to PowerFlex 40 Drive Kit; Includes F8168603 AC Drive
	C003037	160-Series to PowerFlex 40 Drive Kit	380-480 Volt; CP040, CPC40, IP040, IPH40 and JP040 H-series models; Includes F8168604 AC Drive
	C003045	160-Series to PowerFlex 40 Drive Kit	380-480 Volt; CP060, CPC60, IP060, IPH60 and JP060 H-series models; Includes F8168604 AC Drive
2	F8053902	EMI Filter	380-480 Volt; Models CP040PHN1, CP040PMN1, CP060PMN1, CPC40H, CPC40M, CPC60M, IP040PHN1, IP040PMN1, IP060PMN1, IPH40H, IPH40M, IPH60M, IPH180 and IPH270
	F8053901P	EMI Filter	200-240 Volt models CP040PMQ1, CP060PHQ1, CP060PMQ1, CPC40H, CPC40M, CPC60H, CPC60M, IP040PHQ1, IP040PMQ1, IP060PHQ1, IP060PMQ1, IPH40H, IPH40M, IPH60H, IPH60M, IPH180 and IPH270; 400 Volt models CP060PHN1, CPC60H, IP060PHN1 and IPH60H

PowerFlex Drive and EMI Filter - Design 2 Models

Models CP040PHX2, CP040PMX2, CP060PHN2, CP060PHQ2, CP060PHX2, CP060PMX2, IP040PHN2, IP040PHX2, IP040PMX2, IP060PHN2, IP060PHQ2, IP060PHX2, IP060PMN2, IP060PMX2 and JP060PHN2



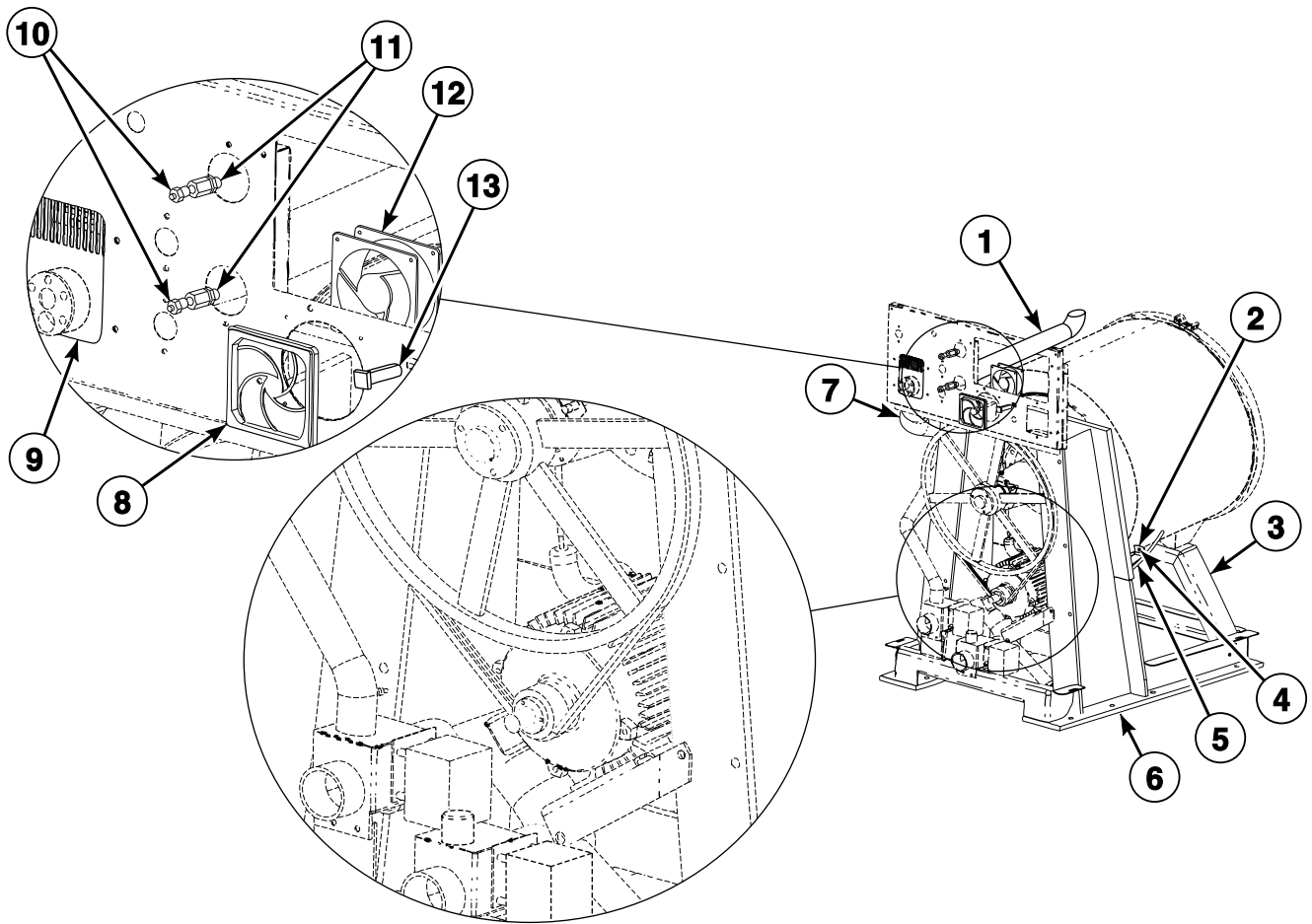
PHM3028P_C002874

PowerFlex Drive and EMI Filter - Design 2 Models

REF	PART NO.	DESCRIPTION	COMMENTS
1	C003044	PowerFlex 40 Drive	200-240 Volt; Models CP060PHQ2, CP060PHX2, IP060PHN2, IP060PHQ2, IP060PHX2 and JP060PHN2; Includes F8168603 AC Drive
	C003046	PowerFlex 40 Drive	380-480 Volt; Models CP060PHN2, IP060PHN2 and JP060PHN2; Includes F8168604 AC Drive
	C003032	PowerFlex 40 Drive	200-240 Volt; Models CP040PMX2 and IP040PMX2; Includes F8168603 AC Drive
	C003034	PowerFlex 40 Drive	380-480 Volt; Models CP040PMX2 and IP040PMX2; Includes F8168604 AC Drive
	C003036	PowerFlex 40 Drive	200-240 Volt; Models CP040PHX2 and IP040PHX2; Includes F8168603 AC Drive
	C003038	PowerFlex 40 Drive	380-480 Volt; Models CP040PHX2, IP040PHN2 and IP040PHX2; Includes F8168604 AC Drive
	C003040	PowerFlex 40 Drive	200-240 Volt; Models CP060PMX2, IP060PMN2 and IP060PMX2; Includes F8168603 AC Drive
	C003042	PowerFlex 40 Drive	380-480 Volt; Models CP060PMX2, IP060PMN2 and IP060PMX2; Includes F8168604 AC Drive
2	F8053902	EMI Filter	Models CP040PHX2, CP040PMX2, IP040PHX2 and IP040PMX2
	F8053901P	EMI Filter	Models CP060PHN2, CP060PHQ2, CP060PHX2, IP060PHN2, IP060PHQ2 and JP060PHN2

Main Assembly (Drawing 1 of 8)

Models CP060PHN1, CP060PHN2, CP060PHQ1, CP060PHQ2, CP060PHX1, CP060PHX2, CPC60H, IP060PHN1, IP060PHN2, IP060PHQ1, IP060PHQ2, IP060PHX2, IPH60H, JP060PHN1, JP060PHN2 and JP060PHQ1



PHM2796P_C002874

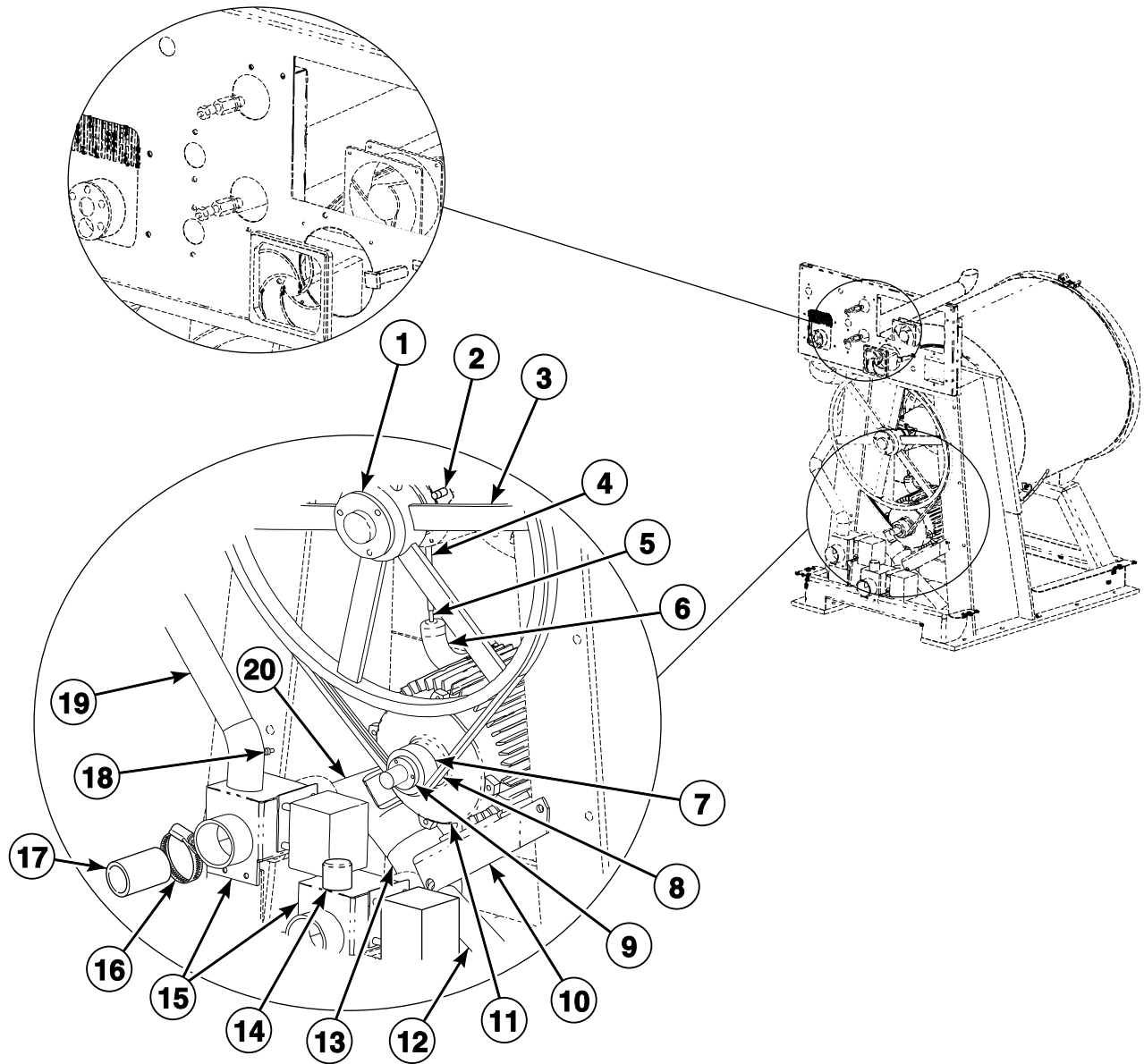
Main Assembly (Drawing 1 of 8)

REF	PART NO.	DESCRIPTION	COMMENTS
	C000679	Vacuum Breaker Plug	6 required; Models through 3/23/04; Use with old style vacuum breaker
	C000680	Adapter	6 required; Models through 3/23/04; Use with old style vacuum breaker
	C000583	Washer	4 required for shell support bracket to shell
	F200222	Hose Clamp	4 required for inlet valve to vacuum breaker
	F200201	Hose Clamp	2 required for fill inlet hose
	C000552	Hose	Flush hose for vacuum breaker; Models starting 3/23/04
	C000273	Bolt	2 required for shell support bracket to shell
	C000611	Nut	2 required for shell support bracket to shell
	C000567	Screw	4 required for vacuum breaker to valve panel
	F431024	Nut	4 required for vacuum breaker to valve panel; Models through 3/23/04
	N/A	Nut	4 required for vacuum breaker to valve panel; Models starting 3/23/04
1	C000379	Supply Dispenser Hose	
2	C002054	Shell Support Brace	Models starting 3/23/04
3	C000079	Lower Shell Support Bracket	
4	225/10004/00	Thermostat Grommet	
5	C002636	Temperature Probe Assembly	
6	N/A	Frame Weldment	
7	C000378	Water Inlet Hose	
8	C000210	Fan Filter Guard Assembly	
	F200318900P	Filter	5 pack
9	C000390	Vacuum Breaker Assembly	
10	N/A	Grease Fitting	2 required; Models through 3/23/04
	C000549	Grease Fitting	2 required; Models starting 3/23/04
11	N/A	Grease Coupling	2 required; Models through 3/23/04
	C001789	Connector	2 required; Models starting 3/23/04
12	C000211	Fan	
13	C000317	Circuit Breaker	2 Amp

N/A = Part no longer available

Main Assembly (Drawing 2 of 8)

Models CP060PHN1, CP060PHN2, CP060PHQ1, CP060PHQ2, CP060PHX1, CP060PHX2, CPC60H, IP060PHN1, IP060PHN2, IP060PHQ1, IP060PHQ2, IP060PHX2, IPH60H, JP060PHN1, JP060PHN2 and JP060PHQ1



PHM3226P_C002874

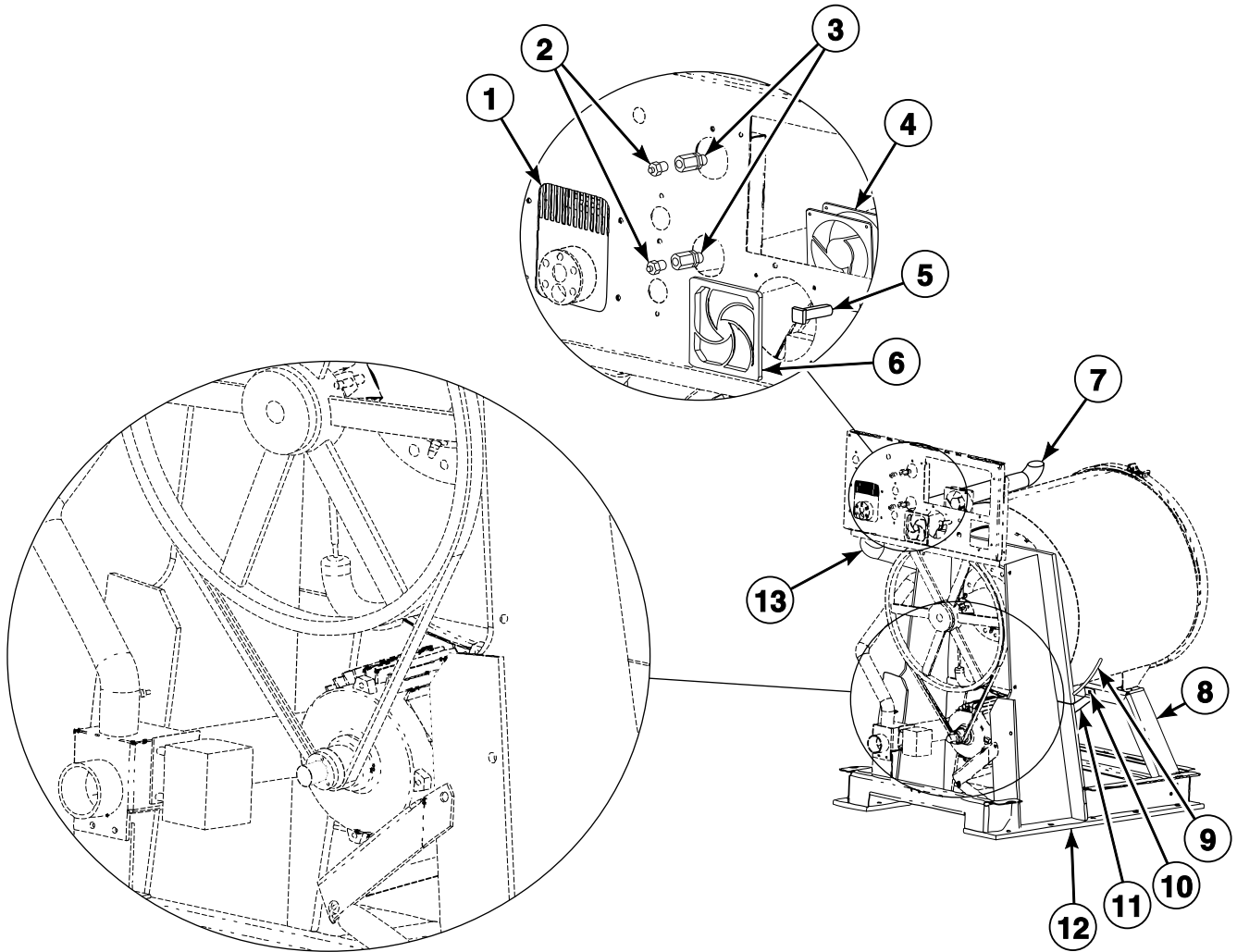
Main Assembly (Drawing 2 of 8)

REF	PART NO.	DESCRIPTION	COMMENTS
	C000971	Overflow T-Drain Assembly	
	C002422	Motor Cable	
	C000304	Motor Cable	
	C002613	Drain Harness	
	C002614P	Drain Harness	
	C002858	Dual Drain Harness	
	F430144	Screw	4 required for motor to motor plate
	C000556	Washer	8 required for motor to motor plate
	803017	Nut	4 required for motor to motor plate
	F430124	Screw	1 required for motor plate to frame
	C000612	Screw	1 required for motor plate to frame for models through 3/23/04; 2 required for motor plate to frame for models starting 3/23/04
	C000177	Washer	1 required for motor plate to frame for models through 3/23/04; As required for motor plate to frame for models starting 3/23/04
	C000583	Washer	2 required for motor plate to frame for models through 3/23/04; 3 required for motor plate to frame for models starting 3/23/04
	90554	Hose Clamp	1 required for air trap
	F200213	Hose Clamp	2 required for overflow hose for models through 3/23/04; 4 required for overflow hose for models starting 3/23/04
	C003295	Drain T	Models starting 3/6/13; Replaces use of C001649 Reducing Connector
	C003316P	Alignment Tool	
1	C000223P	Cylinder Bushing	
2	C002637P	Proximity Switch Assembly	
3	C000222	Cylinder Pulley	
4	C000599	Vacuum Breaker Hose	
5	C000662	Air Trap Tube	Brass
6	C000654	Air Trap Tube Elbow	Rubber
7	C000224	Motor Pulley	
8	C001053	Belt	
9	F280233P	Bushing	
10	C000130	Motor Bracket	
11	C000205	Motor	
12	N/A	Belt Tension Spring	Models through 3/23/04
	C001800	Belt Tension Spring	Models starting 3/23/04
13	C000412	Water Reuse Hose	
14	C001793	Cap	Models starting 3/23/04
15	C003353	Drain Valve	2 required
16	F200201	Hose Clamp	2 required for drain hose
17	F200165100	Drain Hose	No. 56
18	C001649	Reducing Connector	2 required; Models starting 3/23/04 through 3/6/13
19	C000377	Overflow Hose	
20	C000411	Drain Hose	

N/A = Part no longer available

Main Assembly (Drawing 3 of 8)

Models CP060PMN1, CP060PMQ1, CP060PMX2, CPC60M, IP060PMN1, IP060PMN2, IP060PMQ1, IP060PMX2, IPH60M, IPH270 and JP060PMQ1



PHM2797P_C002874

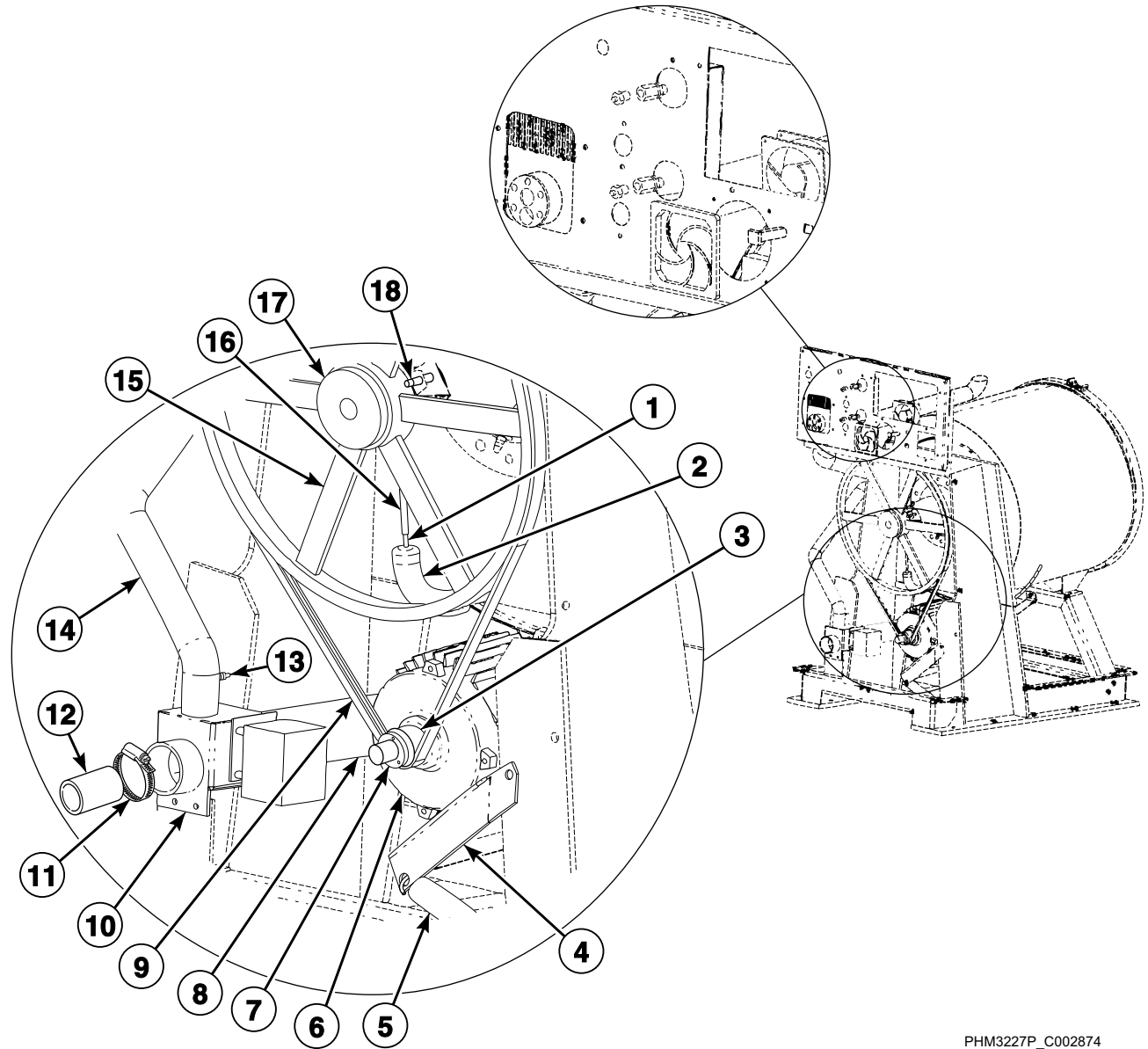
Main Assembly (Drawing 3 of 8)

REF	PART NO.	DESCRIPTION	COMMENTS
	C000679	Vacuum Breaker Plug	6 required; Models through 3/23/04; Use with old style vacuum breaker
	C000680	Adapter	6 required; Models through 3/23/04; Use with old style vacuum breaker
	C001772	Vacuum Breaker Cover	Models starting 3/23/04
	C000583	Washer	4 required for shell support bracket to shell
	F200222	Hose Clamp	4 required for inlet valve to vacuum breaker
	F200201	Hose Clamp	2 required for fill inlet hose
	C000552	Hose	Flush hose for vacuum breaker; Models starting 3/23/04
	C000273	Bolt	2 required for shell support bracket to shell
	C000611	Nut	2 required for shell support bracket to shell
	C000567	Screw	4 required for vacuum breaker to valve panel
	C002617P	Single Fan Harness	
	N/A	Nut	4 required for vacuum breaker to valve panel; Models starting 3/23/04
	F431024	Nut	4 required for vacuum breaker to valve panel; Models through 3/23/04
1	C000390	Vacuum Breaker Assembly	
2	N/A	Grease Fitting	2 required; Models through 3/23/04
	C000549	Grease Fitting	2 required; Models starting 3/23/04
3	N/A	Grease Coupling	2 required; Models through 3/23/04
	C001789	Connector	2 required; Models starting 3/23/04
4	C000211	Fan	
5	C000317	Circuit Breaker	2 Amp
6	C000210	Fan Filter Guard Assembly	
	F200318900P	Filter	5 pack
7	C000379	Supply Dispenser Hose	
8	C000079	Lower Shell Support Bracket	
9	C002636	Temperature Probe Assembly	
10	225/10004/00	Thermostat Grommet	
11	C002054	Shell Support Brace	Models starting 3/23/04
12	C000780	Frame Assembly	
13	C000378	Water Inlet Hose	

N/A = Part no longer available

Main Assembly (Drawing 4 of 8)

Models CP060PMN1, CP060PMQ1, CP060PMX2, CPC60M, IP060PMN1, IP060PMN2, IP060PMQ1, IP060PMX2, IPH60M, IPH270 and JP060PMQ1



PHM3227P_C002874

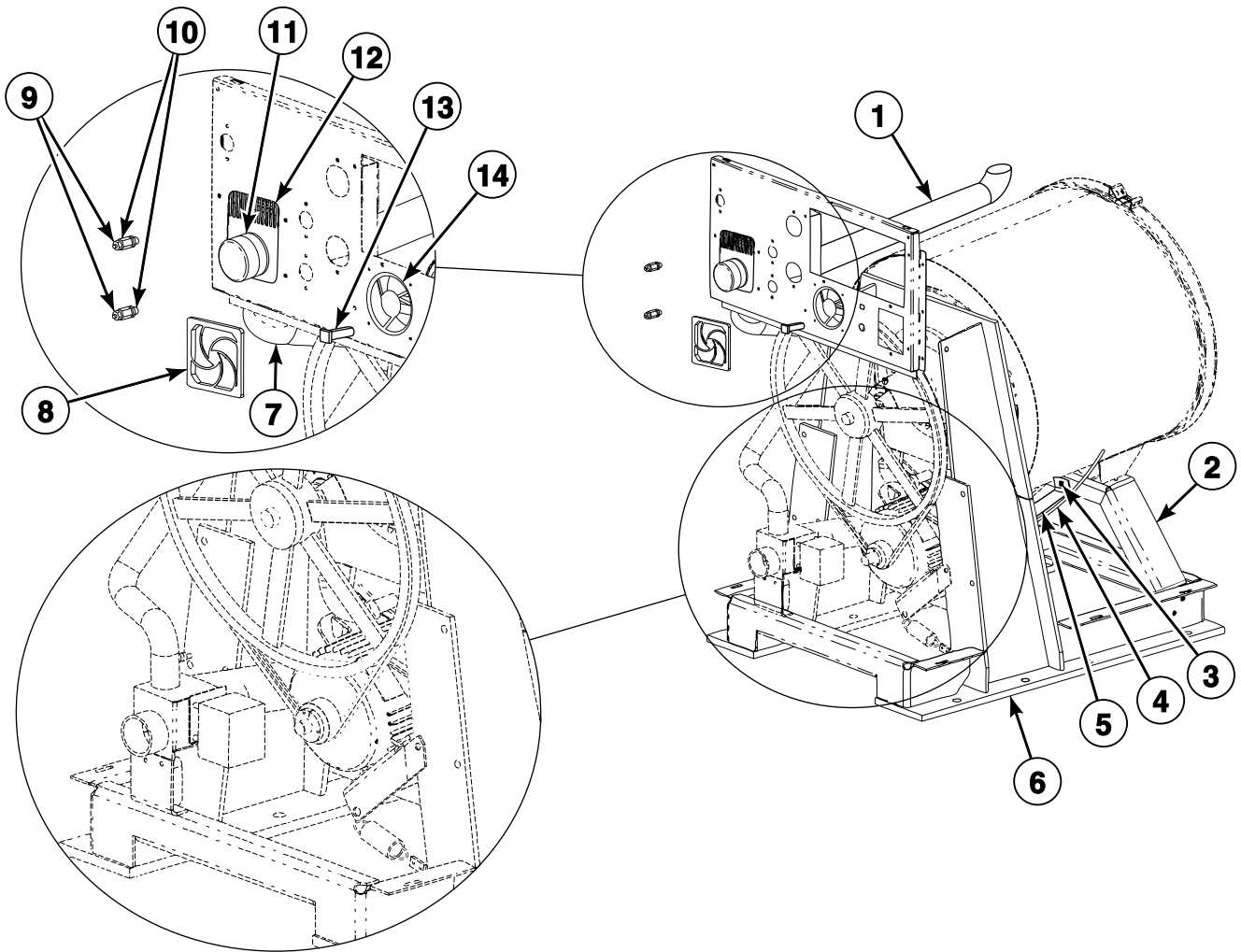
Main Assembly (Drawing 4 of 8)

REF	PART NO.	DESCRIPTION	COMMENTS
	C002422	Motor Cable	
	C000304	Motor Cable	
	C002613	Drain Harness	
	C002614P	Drain Harness	
	C002858	Dual Drain Harness	
	F430144	Screw	4 required for motor to motor plate
	C000556	Washer	8 required for motor to motor plate
	803017	Nut	4 required for motor to motor plate
	F430124	Screw	1 required for motor plate to frame
	C000612	Screw	1 required for motor plate to frame for models through 3/23/04; 2 required for motor plate to frame for models starting 3/23/04
	C000177	Washer	1 required for motor plate to frame for models through 3/23/04; As required for motor plate to frame for models starting 3/23/04
	C000583	Washer	2 required for motor plate to frame for models through 3/23/04; 3 required for motor plate to frame for models starting 3/23/04
	90554	Hose Clamp	1 required for air trap
	F200213	Hose Clamp	2 required for overflow hose for models through 3/23/04; 4 required for overflow hose for models starting 3/23/04
	C003295	Drain T	Models starting 3/6/13; Replaces use of C001649 Reducing Connector
	C003315P	Alignment Tool	
1	C000662	Air Trap Tube	Brass
2	C000654	Air Trap Tube Elbow	Rubber
3	C000791P	Motor Pulley	
4	C000130	Motor Bracket	
5	N/A	Belt Tension Spring	Models through 3/23/04
	C001790	Belt Tension Spring	Models starting 3/23/04
6	C000204	Motor	
7	F280233P	Bushing	
8	C000411	Drain Hose	
9	N/A	Belt	Models through 3/23/04
	C001264	Belt	Models starting 3/23/04
10	C003353	Drain Valve	
11	F200201	Hose Clamp	2 required for drain hose
12	F200165100	Drain Hose	No. 56
13	C001649	Reducing Connector	2 required; Models starting 3/23/04 through 3/6/13
14	C000377	Overflow Hose	
15	C000222	Cylinder Pulley	
16	C000599	Vacuum Breaker Hose	
17	C000746	Cylinder Bushing	
18	C002637P	Proximity Switch Assembly	

N/A = Part no longer available

Main Assembly (Drawing 5 of 8)

Models CP040PMN1, CP040PMQ1, CP040PMX2, CPC40M, IP040PMN1, IP040PMQ1, IP040PMX2, IPH40M, IPH180 and JP060PMQ1



PHM2795P_C002874

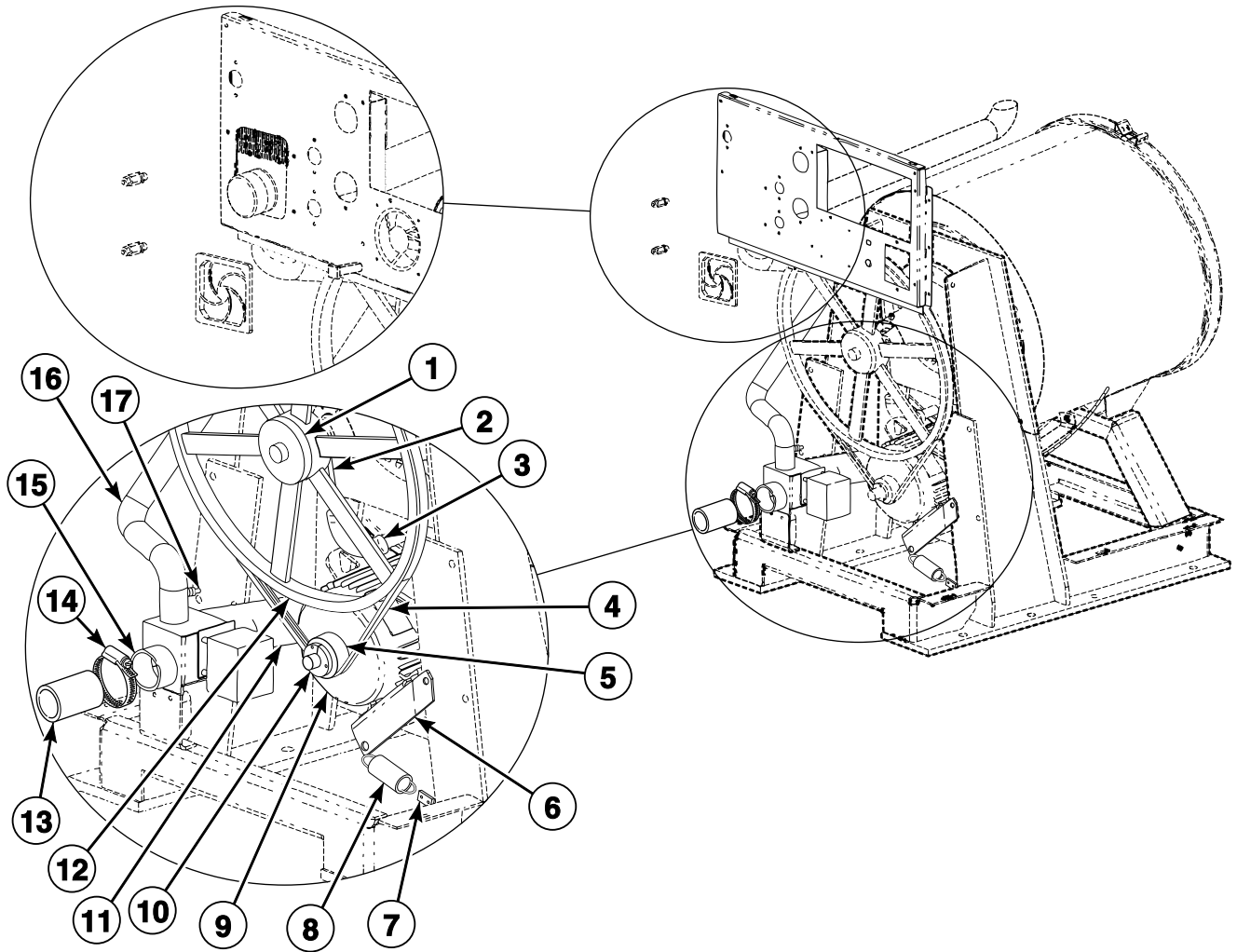
Main Assembly (Drawing 5 of 8)

REF	PART NO.	DESCRIPTION	COMMENTS
	C000679	Vacuum Breaker Plug	6 required; Models through 3/23/04; Use with old style vacuum breaker
	C000680	Adapter	6 required; Models through 3/23/04; Use with old style vacuum breaker
	C000583	Washer	4 required for shell support bracket to shell
	F200222	Hose Clamp	4 required for inlet valve to vacuum breaker
	F200201	Hose Clamp	2 required for fill inlet hose
	C000552	Hose	Flush hose for vacuum breaker; Models starting 3/23/04
	C000273	Bolt	2 required for shell support bracket to shell
	C000611	Nut	2 required for shell support bracket to shell
	C000567	Screw	4 required for vacuum breaker to valve panel
	N/A	Nut	4 required for vacuum breaker to valve panel; Models starting 3/23/04
1	C000379	Supply Dispenser Hose	
2	C000516	Lower Shell Support Bracket	
3	225/10004/00	Thermostat Grommet	
4	C002636	Temperature Probe Assembly	
5	C002055	Shell Support Brace	
6	C000813	Frame Assembly	
7	C000677	Water Inlet Hose	
8	C000210	Fan Filter Guard Assembly	
	F200318900P	Filter	5 pack
9	N/A	Grease Fitting	2 required; Models through 3/23/04
	C000549	Grease Fitting	2 required; Models starting 3/23/04
10	N/A	Grease Coupling	2 required; Models through 3/23/04
	C001789	Connector	2 required; Models starting 3/23/04
11	C001772	Vacuum Breaker Cover	
12	C000390	Vacuum Breaker Assembly	
13	C000317	Circuit Breaker	2 Amp
14	C000211	Fan	

N/A = Part no longer available

Main Assembly (Drawing 6 of 8)

Models CP040PMN1, CP040PMQ1, CP040PMX2, CPC40M, IP040PMN1, IP040PMQ1, IP040PMX2, IPH40M, IPH180 and JP060PMQ1



PHM2948P_C002874

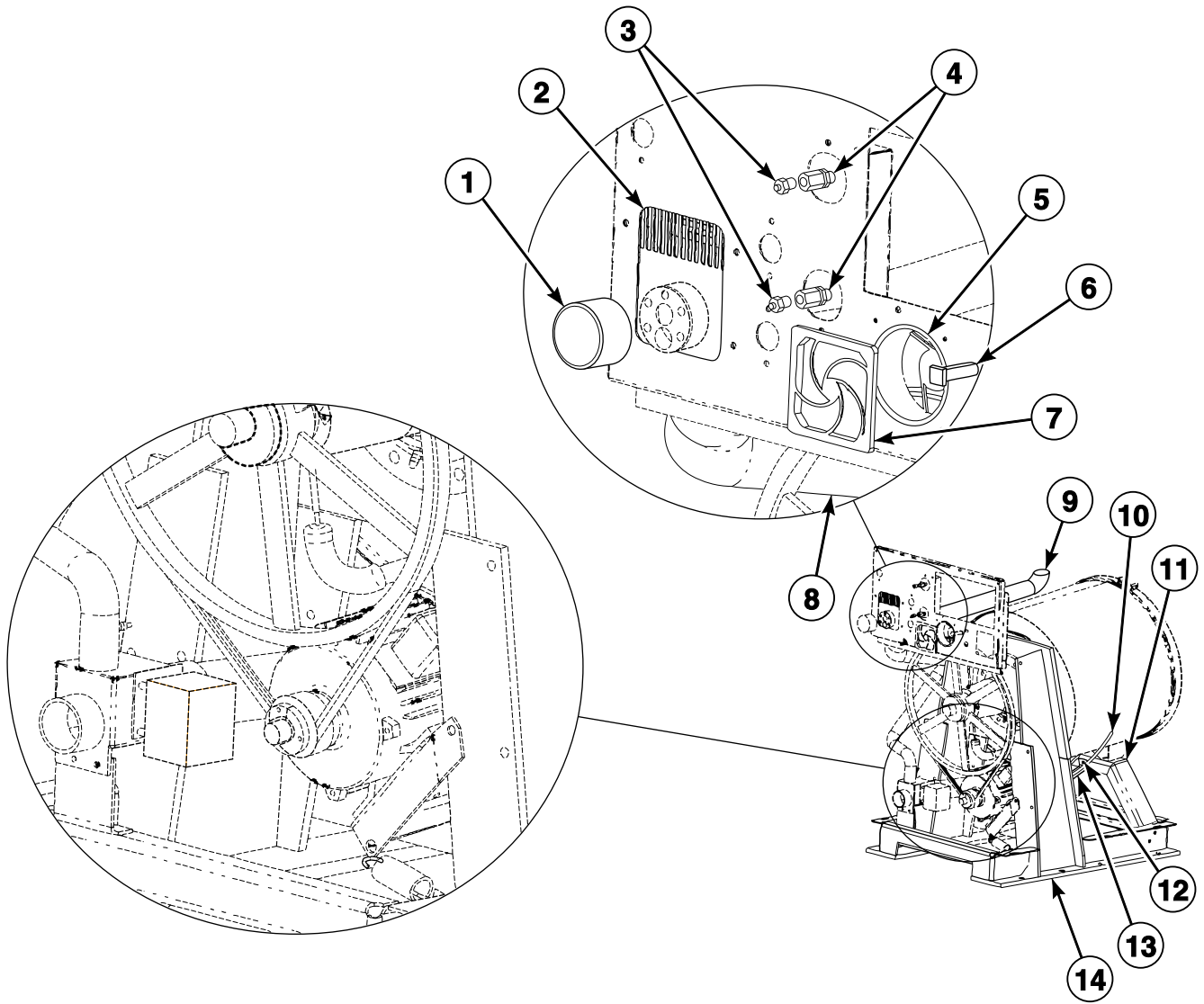
Main Assembly (Drawing 6 of 8)

REF	PART NO.	DESCRIPTION	COMMENTS
	C000662	Air Trap Tube	Brass
	C002421	Motor Cable	
	C000304	Motor Cable	
	C002613	Drain Harness	
	C002614P	Drain Harness	
	F430144	Screw	4 required for motor to motor plate
	C000556	Washer	8 required for motor to motor plate
	803017	Nut	4 required for motor to motor plate
	F430124	Screw	1 required for motor plate to frame
	C000612	Screw	1 required for motor plate to frame for models through 3/23/04; 2 required for motor plate to frame for models starting 3/23/04
	C000177	Washer	1 required for motor plate to frame for models through 3/23/04; As required for motor plate to frame for models starting 3/23/04
	C000583	Washer	2 required for motor plate to frame for models through 3/23/04; 3 required for motor plate to frame for models starting 3/23/04
	90554	Hose Clamp	1 required for air trap
	F200213	Hose Clamp	2 required for overflow hose for models through 3/23/04; 4 required for overflow hose for models starting 3/23/04
	C003295	Drain T	Models starting 3/6/13; Replaces use of C001649 Reducing Connector
	C003313P	Alignment Tool	
1	C000746	Cylinder Bushing	
2	C000599	Vacuum Breaker Hose	
3	C000654	Air Trap Tube Elbow	Rubber
4	C001053	Belt	
5	C001051P	Motor Pulley	
6	C000689	Motor Bracket	
7	C000994	Spring Clip	
8	N/A	Belt Tension Spring	Models through 3/23/04
	C001790	Belt Tension Spring	Models starting 3/23/04
9	C000204	Motor	
10	F280233P	Bushing	
11	C000411	Drain Hose	
12	C000222	Cylinder Pulley	
13	F200165100	Drain Hose	No. 56
14	F200201	Hose Clamp	2 required for drain hose
15	C003353	Drain Valve	
16	C000676	Overflow Hose	
17	C001649	Reducing Connector	2 required; Models through 3/6/13

N/A = Part no longer available

Main Assembly (Drawing 7 of 8)

Models CP040PHN1, CP040PHQ1, CP040PHX2, CPC40H, IP040PHN1, IP040PHN2, IP040PHQ1, IP040PHX2, IPH40H, JP040PHN1 and JP040PHQ1



PHM2794P_C002874

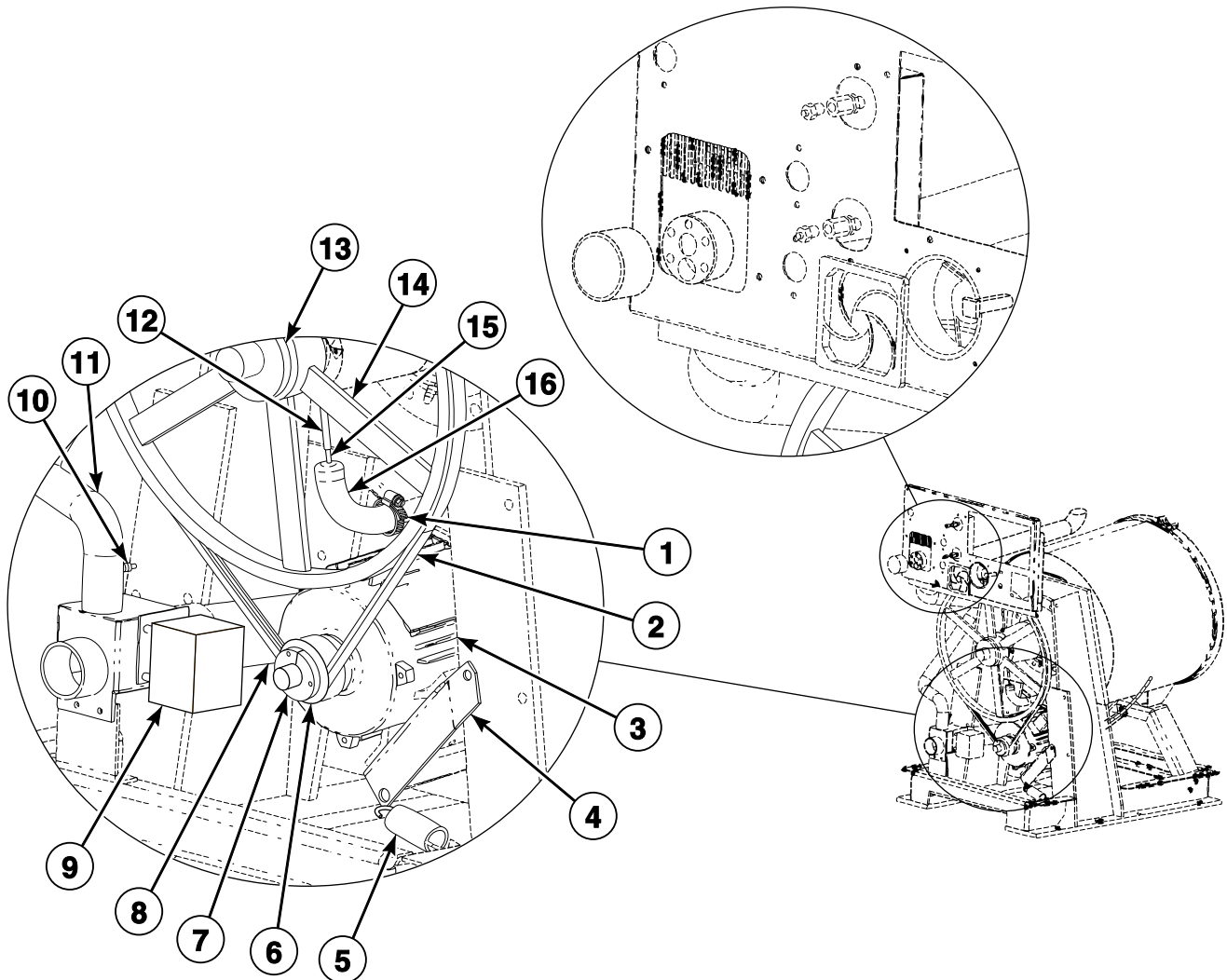
Main Assembly (Drawing 7 of 8)

REF	PART NO.	DESCRIPTION	COMMENTS
	C000679	Vacuum Breaker Plug	6 required; Models through 3/23/04; Use with old style vacuum breaker
	C000680	Adapter	6 required; Models through 3/23/04; Use with old style vacuum breaker
	C000583	Washer	4 required for shell support bracket to shell
	F200222	Hose Clamp	4 required for inlet valve to vacuum breaker
	F200201	Hose Clamp	2 required for fill inlet hose
	C000552	Hose	Flush hose for vacuum breaker; Models starting 3/23/04
	C000273	Bolt	2 required for shell support bracket to shell
	C000611	Nut	2 required for shell support bracket to shell
	C000567	Screw	4 required for vacuum breaker to valve panel
	N/A	Nut	4 required for vacuum breaker to valve panel; Models starting 3/23/04
	C002617P	Single Fan Harness	
1	C001772	Vacuum Breaker Cover	Models starting 3/23/04
2	C000390	Vacuum Breaker Assembly	
3	N/A	Grease Fitting	2 required; Models through 3/23/04
	C000549	Grease Fitting	2 required; Models starting 3/23/04
4	N/A	Grease Coupling	2 required; Models through 3/23/04
	C001789	Connector	2 required; Models starting 3/23/04
5	C000211	Fan	
6	C000317	Circuit Breaker	2 Amp
7	C000210	Fan Filter Guard Assembly	
	F200318900P	Filter	5 pack
8	C000677	Water Inlet Hose	
9	C000379	Supply Dispenser Hose	
10	C002636	Temperature Probe Assembly	
11	C000516	Lower Shell Support Bracket	Models starting 3/23/04
	C000988	Lower Shell Support Bracket	Electric heat models starting 3/23/04
12	225/10004/00	Thermostat Grommet	
13	C002055	Shell Support Brace	Models starting 3/23/04
14	C000445	Frame Assembly	

N/A = Part no longer available

Main Assembly (Drawing 8 of 8)

Models CP040PHN1, CP040PHQ1, CP040PHX2, CPC40H, IP040PHN1, IP040PHN2, IP040PHQ1, IP040PHX2, IPH40H, JP040PHN1 and JP040PHQ1



PHM2947P_C002874

Main Assembly (Drawing 8 of 8)

REF	PART NO.	DESCRIPTION	COMMENTS
	C002421	Motor Cable	
	C000304	Motor Cable	
	C000994	Spring Clip	
	C002613	Drain Harness	
	C002614P	Drain Harness	
	F430144	Screw	4 required for motor to motor plate
	C000556	Washer	8 required for motor to motor plate
	803017	Nut	4 required for motor to motor plate
	F430124	Screw	1 required for motor plate to frame
	C000612	Screw	1 required for motor plate to frame for models through 3/23/04; 2 required for motor plate to frame for models starting 3/23/04
	C000177	Washer	1 required for motor plate to frame for models through 3/23/04; As required for motor plate to frame for models starting 3/23/04
	C000583	Washer	2 required for motor plate to frame for models through 3/23/04; 3 required for motor plate to frame for models starting 3/23/04
	90554	Hose Clamp	1 required for air trap
	F200213	Hose Clamp	2 required for overflow hose for models through 3/23/04; 4 required for overflow hose for models starting 3/23/04
	F200201	Hose Clamp	2 required for drain hose
	C003295	Drain T	Models starting 3/6/13; Replaces use of C001649 Reducing Connector
	C003314P	Alignment Tool	
1	20391	Hose Clamp	
2	C001053	Belt	
3	C000204	Motor	
4	C000689	Motor Bracket	
5	N/A	Belt Tension Spring	Models through 3/23/04
	C001790	Belt Tension Spring	Models starting 3/23/04
6	C000690P	Motor Pulley	
7	C000691P	Motor Bushing	
8	C000411	Drain Hose	
9	C003353	Drain Valve	
10	C001649	Reducing Connector	Models starting 3/23/04 through 3/6/13
11	C000676	Overflow Hose	
12	C000552	Hose	
13	C000223P	Cylinder Bushing	
14	C000222	Cylinder Pulley	
15	C000662	Air Trap Tube	Brass
16	C000654	Air Trap Tube Elbow	Rubber

N/A = Part no longer available

Parts Index

A

Adapter	
C000424	55, 57, 59
C000680	91, 95, 99, 103
Air Trap Tube	
C000662	93, 97, 101, 105
C001232	77
Air Trap Tube Elbow	
C000654	93, 97, 101, 105
Alignment Tool	
C003313P	101
C003314P	105
C003315P	97
C003316P	93
Auxiliary Plumbing Assembly	
C001187	63

B

Battery	
209/00505/04P	35
Bearing Housing	
C000057	15
C000725	19
Bearing Housing Assembly	
C000058P	15, 17, 23
C000728P	19, 21, 25
C001364P	17, 23
C002032P	25
Bearing Housing Puller Kit	
1390P	17, 21, 23, 25
1390-1	17, 21, 23, 25
Bearing Lubrication Decal	
C000508R1	9, 13
Belt	
C001053	93, 101, 105
C001264	97
Belt Tension Spring	
C001790	97, 101, 105
C001800	93
Blind Rivet	
J1111905	53
Bolt	
C000180	43, 45, 47, 49
C000273	71, 73, 75, 77, 91, 95, 99, 103
C000430	51, 53
C000559	43, 45, 47, 49
C000561	43, 45, 47, 49, 51, 53, 71, 73, 75, 77
C001785	43, 45, 47, 49
F8549301	43, 45, 47, 49
Bushing	
F280233P	93, 97, 101

C

Cap	
C001793	93

Carb Bearing	
C000151	15
C000485	19
Chemical Supply Controller	
C000371P	35
Chemical Supply Harness	
C002779	79
C002780	79
C002781	79
Circuit Breaker	
C000317	91, 95, 99, 103
C003135P	79, 81
F350217	79, 81
Circuit Breaker Kit	
C0977P3	79, 81
C0978P3	79, 81
Clean Filter Daily Decal	
F200061000	13
Coil	
F8514701	55, 57, 59, 61, 63, 67, 69
Cold Plumbing Assembly	
C000425	59
C001106	61
Cold Water Valve Decal	
F0231368-00R4	9
Connector	
C001789	91, 95, 99, 103
J1408004	15, 17, 19, 21, 23, 25
Contact Base	
F8538101	27
Contact Block Switch	
F200233401	27
F200233401P	27, 29
Contacto	
C000308P	81
C000309P	81
Control Module Harness	
C000865	35
Control Panel Decal	
C001069	35
C001276	35
C001389	35
Control Panel Insert	
C000483	27, 29
C000484	27, 29
Coupling	
C000420	55, 57
Cover Decal	
F200318200R1	9, 11
Cylinder Assembly Kit	
C000037P	37
C000455P	37
C000792P	37
C000812P	37
Cylinder Bolt Shroud	
C001238	37
Cylinder Bushing	
C000223P	93, 105
C000746	97, 101
Cylinder Lifter Rod	
C001327	37

N/A items do not appear in index.

Cylinder Pulley	
C000222	93, 97, 101, 105
Cylinder Shaft	
C000068	15
C000726	19

D

Diaphragm and Guide Kit	
G582P3	55, 57, 59
DIN Coil	
F380986P	55, 57, 59, 61, 63, 67, 69
F380987P	55, 57, 59, 61
DIN Valve Adapter Kit	
F8382301	55, 57, 59, 61, 63, 67, 69
DIN Valve Kit	
F8521601	67, 69
Dispenser Assembly	
C000107	41
Dispenser Door Handle	
C001788	39, 41
Door	
C000523	45, 49
Door Assembly	
C000077	43, 47
C000524	45, 49
C002726	43, 47
Door Bumper	
C001546	43, 45, 47, 49
Door Gasket	
C000521P	45, 49
C003285	43, 47
Door Glass	
C000191	43, 47
C000520P	45, 49
Door Glass Gasket	
C000190	43, 47
C000522	45, 49
Door Glass Retainer	
C000519	45, 49
C000603	43, 47
Door Handle	
C001679P	43, 45, 47, 49
Door Handle Bushing	
C000181	43, 45, 47, 49
Door Handle Hinge Weldment	
C000470	43, 45, 47, 49
Door Handle Spring Bushing	
C000192	43, 45, 47, 49
Door Handle Torsion Spring	
C001786	43, 45, 47, 49
Door Hinge	
C000604	43, 47
C000681	45, 49
Door Hinge Bushing	
C000176	43, 45, 47, 49
Door Latch	
C001244	51, 53
Door Lock Catch	
C000185	51, 53
Door Lock Cover	
C000688	51, 53

Door Lock Harness	
C000867P	51, 53
Door Lock Kit	
C002996M	51, 53
Door Lock Microswitch	
C000278	51, 53
Door Lock Plate	
C000684	51, 53
Door Lock Slide Spring	
C000276	51, 53
Door Lock Solenoid	
F8654101	51, 53
Door Lock Solenoid Bracket	
C003022	51, 53
Door Lock Spring	
B12351001	53
Door Lock Spring Cover	
C000687	51, 53
Door Lock Switch Slide	
C000271	51, 53
Door Magnet Mounting Bracket	
C002994	47, 49
Door Release Decal	
C000694	11, 13
Drain Harness	
C002613	93, 97, 101, 105
C002614P	93, 97, 101, 105
Drain Hose	
C000411	93, 97, 101, 105
F200165100	93, 97, 101
Drain T	
C003295	93, 97, 101, 105
Drain Valve	
C003353	93, 97, 101, 105
Drive Box Assembly	
C001050	79, 81
Drive Kit, 160-Series to PowerFlex 40	
C003031	87
C003033	87
C003035	87
C003037	87
C003039	87
C003041	87
C003043	87
C003045	87
Dual Drain Harness	
C002858	93, 97

E

Electric Heat Control Harness	
C003020	79
Electric Heat Harness	
C002724	75
C002755	75
C002756	75
C002758	75
C002830	75
Electric Heat Shell Assembly	
C000949	75
C000950	77
Electric Shock Danger Label	
F8115501	13

N/A items do not appear in index.

Electrical Shock Label D502511R3	11
Emergency Stop Button Kit F200233700P	27
Emergency Stop Pushbutton F200233500	27, 29
EMI Filter	
F330280P	83, 85
F330281	83, 85
F8053901P	87, 89
F8053902	87, 89
Exhaust Bracket C000323	79, 81
External Supply Connection Decal F230917-1	9
F8150201	13

F

Fan C000211	91, 95, 99, 103
Fan Filter Guard Assembly C000210	91, 95, 99, 103
Filter	
F200318900P	91, 95, 99, 103
F270305	65
F270306P	65
Filter Housing Cap Gasket F270407	65
Flange and Nipple Assembly C001366	55, 57, 59, 61, 63
Frame Assembly	
C000445	103
C000780	95
C000813	99
Front Cover C000606	41
Front Electrical Enclosure C000213	35
Front Electrical Enclosure Assembly C000432	35
Front Electrical Enclosure Cover C000348	35
Front Electrical Enclosure Rail	
C000218	33
C000533	31
Front Grease Shield C000729	19
Front Panel	
C001246	27
C001248	29
Front Panel Assembly	
C002966	27
C002967P	27
C002968	29
C002969	29
Front Skirt Panel	
C000314	33
C000530	31
Front Supply Dispenser Nozzle C001017	39, 41
Fuse C001194	81

C001196	81
Fuse Holder C001197	81

G

Gasket C001704	15, 19
Grease Connector Box C000539	31, 33
Grease Fitting C000549	91, 95, 99, 103
Grease Shield C000064	15

H

Hardware Kit C002023	17, 21, 23, 25
Harness C003028	87
Heating Element 209/00562/30	75, 77
Hinge C001787	39, 41
Hinge Block C000175	43, 45, 47, 49
Hose C000552	15, 17, 19, 21, 23, 25, 39, 41, 91, 95, 99, 103, 105
Hose Barb F421951	55, 57, 59, 61, 63
Hose Clamp F200201	15, 23, 39, 41, 91, 93, 95, 97, 99, 101, 103, 105
F200213	93, 97, 101, 105
F200222	91, 95, 99, 103
20391	105
36801	15, 17, 19, 21, 23, 25, 41
90554	93, 97, 101, 105
Hot Plumbing Assembly C000426	55
C001664	57
Hot Surface Warning Decal F200085000R1	9, 11, 13
F231380	11
Hot Surface Warning Label F8614301	13
Hot Water and Chemical Caution Decal F200085300	9, 13
Hot Water Valve Decal F0231367-00R3	9

I

Infrared Cable 210/00902/00P	35
Inlet Power Cover C001257	31, 33

N/A items do not appear in index.

Inlet Valve Harness	
C002608P	57, 61
C002610P	55
C002611P	59
Insert Rail	
C000636	29
C001013	27
Inverter	
C000287	83, 85
C000288	83, 85

J

Jump Wire	
C003291	51, 53

K

Keymode Switch Assembly	
C003024P	27, 29
Keypad Controller	
C000282P	35

L

Logo Decal	
C001038	11
Lower Front Adjustment Bracket Assembly	
C002984	27
C002985	29
Lower Shell Support Bracket	
C000079	91, 95
C000516	99, 103
C000988	103
Lubricator	
212/00022/00P.....	15, 17, 19, 21, 23, 25

M

Magnet	
F8390801	47, 49
Magnetic Door Switch Bracket	
C002995	53
Main Board Controller Kit	
C000281P	35
Motor	
C000204	97, 101, 105
C000205	93
Motor Bracket	
C000130	93, 97
C000689	101, 105
Motor Bushing	
C000691P	105
Motor Cable	
C000304	93, 97, 101, 105
C002421	101, 105
C002422	93, 97
Motor Pulley	
C000224	93
C000690P	105

N/A items do not appear in index.

C000791P	97
C001051P	101
Mount On Concrete Warning Label	
F8246401	13
Mounting Bracket	
C000372	15, 17, 19, 23
C000373	79, 81
C000375	35
C001037	21, 25

N

Nipple	
C000999	67, 69
F420107	55, 57, 59
Nut	
C000063	15
C000487	19
C000560	43, 45, 47, 49
C000568	27, 29, 79, 81
C000574	43, 45, 47, 49, 51, 53
C000576	51, 53
C000578	51, 53
C000611	71, 73, 75, 77, 91, 95, 99, 103
C001236	43, 45, 47, 49
F431011	37
F431024	27, 29, 31, 33, 35, 43, 45, 47, 49,
55, 57, 59, 61, 63, 71, 73, 75, 77, 91, 95	
F8549401	43, 45, 47, 49
803017	43, 45, 47, 49, 93, 97, 101, 105

O

Overflow Hose	
C000377	93, 97
C000676	101, 105
Overflow T-Drain Assembly	
C000971	93

P

Pinched Fingers Label	
D502506R3	11
Plate	
C001916	15, 19
Pop Rivet	
F431215	53
F431223	47, 49
Power Block Terminal	
C000290	79
C000370	79, 81
Power Distribution Block	
M413865	81
PowerFlex 40 Drive	
C003032	89
C003034	89
C003036	89
C003038	89
C003040	89
C003042	89
C003044	87, 89
C003046	87, 89

Programming Key	
1242	27, 29
Proximity Switch Assembly	
C002637P	15, 17, 19, 21, 23, 25, 93, 97
Push Decal	
F230303R2	11, 13

R

RC Network Assembly	
C002999	35
RC Network Filter	
F330217P	35
Rear Electrical Enclosure Cover	
C000173	31, 33
Rear Enclosure Harness	
C000866	79
Rear Grease Shield	
C000730	19
Rear Panel	
C000051	33
C000525	31
Reducing Connector	
C001649	15, 17, 19, 21, 23, 25, 93, 97, 101, 105
Reed Switch Assembly	
C003000	53
Replacement Filter	
F270405	65
F270406	65
Roller Bearing	
C000152	15
C000486	19
Rub Rail	
C000633	29
C001012	27

S

Screw	
C000145	15, 17, 23
C000567	27, 29, 31, 33, 35, 51, 53, 55, 57, 59, 61, 63, 79, 81, 91, 95, 99, 103
C000572	51, 53
C000575	79, 81
C000612	51, 53, 93, 97, 101, 105
C000613	51, 53
C000614	51, 53
C001018	15, 17, 19, 21, 23, 25
C001019	19, 21, 25
C001032	43, 45, 47, 49, 73, 75, 77
C001093	37
C001148	39, 41
C001294	37
C001856	71, 73, 75, 77
F430124	93, 97, 101, 105
F430144	93, 97, 101, 105
F430909	35, 39, 41, 79, 81
F430910	27, 29, 35
F430920	39, 41
F430925	39, 41
F430929	15, 17, 19, 21, 23, 25, 31, 33
F430935	55, 57, 59, 61, 63
F430938	79, 81

70391101	71
81398	51, 53
Seal Plate	
C000065	15, 19
C000066	15, 19
C000158	15
C000727	19
Shell Assembly	
C000518	71
Shell Band and Clamp Weldment	
C000659	73, 77
C001735	71, 75
Shell Front Assembly	
C002975	71, 75
C002976P	73, 77
Shell Front Gasket	
C001762	71, 75
C001763P	73, 77
Shell Front Gasket Kit	
F8513501	43, 47
Shell Gasket Shield	
F601216	73, 77
Shell Support	
C000093	73
Shell Support Brace	
C002054	91, 95
C002055	99, 103
Side Panel and Stiffener Assembly	
C002695	31
C002696	31
C002707	33
C002708	33
Single Dispenser Assembly	
C000220	39
Single Fan Harness	
C002617P	95, 103
Single Front Dispenser Cover	
C000605	39
Siphon Tube	
C001007	39, 41
Spin Warning Decal	
F200085100	9, 13
Spring	
C000431	51, 53
Spring Clip	
C000994	101, 105
Spring Hose Clamp	
C001004	41
Standoff	
C000376	35
Steam Cord Assembly	
C002748P	67, 69
Steam Hose	
C000736	69
C000775	67
Steam Hose Insulation	
C001003	67, 69
Steam Injector Tube Assembly	
F83638201	69
F8368201	67
Steam Option Assembly	
C001002	69
C001009	67

N/A items do not appear in index.

Steam Valve Mounting Bracket C000981	67, 69
Steam Valve Mounting Flange C000733	67, 69
Street Elbow F420502	55, 57, 59, 61
F421703	67, 69
Stud C000601	43, 45, 47, 49
Supply Dispenser Cup C000052	39, 41
C000053	41
Supply Dispenser Hose C000379	91, 95, 99, 103
Supply Signal Decal C000506	9

T

Tee F420403	55, 57, 59
Temperature Probe Assembly C002636	91, 95, 99, 103
Thermostat C000318	79, 81
Thermostat Grommet 225/10004/00	91, 95, 99, 103
Tie Wrap Mounting Clamp F140602	79
Tilt Switch Assembly C002642P	35
Top Panel C000050	29
C000513P	27
Transformer C000203	79, 81
Trim Gasket C000629	27, 29
Triple Lip Seal C002959	15, 17, 19, 21, 23, 25
Tubing C000628P	15, 17, 19, 21, 23, 25

V

Vacuum Breaker Assembly C000390	91, 95, 99, 103
Vacuum Breaker Cover C001772	95, 99, 103
Vacuum Breaker Hose C000599	71, 73, 93, 97, 101
Vacuum Breaker Plug C000679	91, 95, 99, 103
Valve C000716P	57
F8322802	67, 69
F8322909P	55, 57, 59, 61, 63
Valve Kit F8379501P	67, 69
Valve Panel Assembly C002979	31
C002980	33

N/A items do not appear in index.

Valve Rebuild Kit F8379504	55, 57, 59, 61, 63
V-Ring Seal C000069	15, 19
C000070	15
C000731	19

W

Warning Label D500049R4	11
F8233501	13
44324001	13
Washer C000071	15
C000147	15, 17, 19, 21, 23, 25
C000177	43, 45, 47, 49, 93, 97, 101, 105
C000488	19
C000556	93, 97, 101, 105
C000571	15, 17, 19, 21, 23, 25, 27, 29, 31, 33, 35, 51, 53, 55, 57, 59, 61, 63, 79, 81
C000583	37, 71, 73, 75, 77, 91, 93, 95, 97, 99, 101, 103, 105
C000585	27, 29, 31, 33, 55, 57, 59, 61, 63
C000590	71, 73, 75, 77
C001239	37
F0431159-00	37
F431133	35, 79, 81
803615	65
Water Hose F200116	65
F200128P	55, 57, 59, 61, 63
F200164	65
F200165	65
F200166	65
Water Inlet Hose C000378	91, 95
C000677	99, 103
Water Line Caution Decal F230734	9
Water Reuse Hose C000412	93
Water Valve C000436P	55, 59
Water Valve Repair Kit F380991P	55, 57, 59, 61, 63