

PROFESSIONAL CHEST HEATED IRONERS

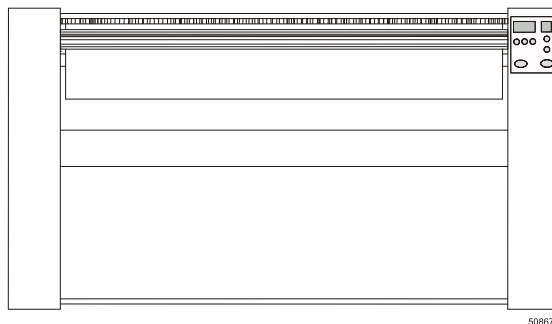
ROLLER DIAMETER 250 mm

IRONERS WITH INSERTION WIDTH:

1000 mm

1200 mm

1400 mm



508675

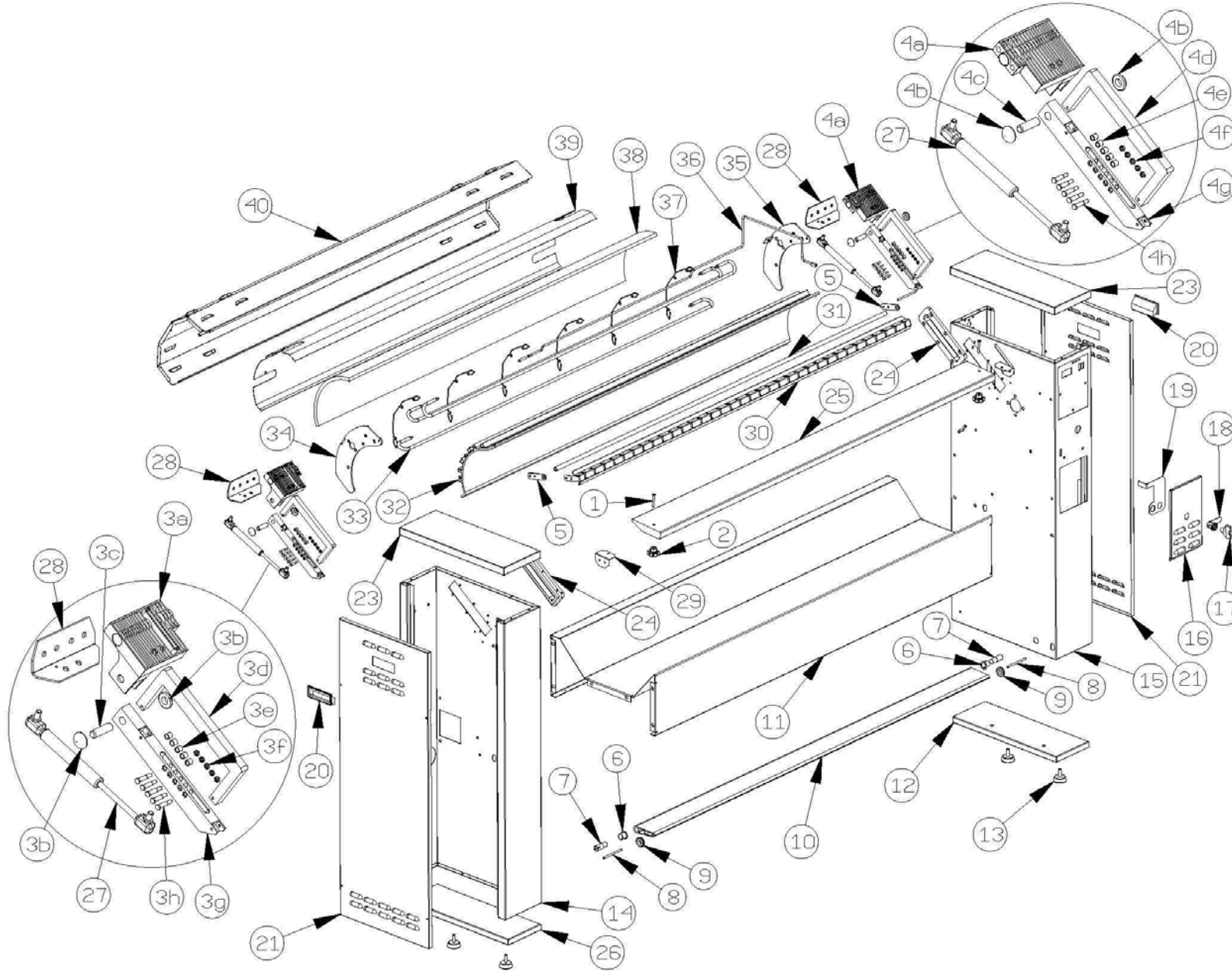
SPARE PARTS MANUAL

SP549116`6
Publication date: 10/2023

Model

Roller diameter 25 cm , roller length 100 , 120 , 140 cm , with or without roller speed control , with or without suction fan

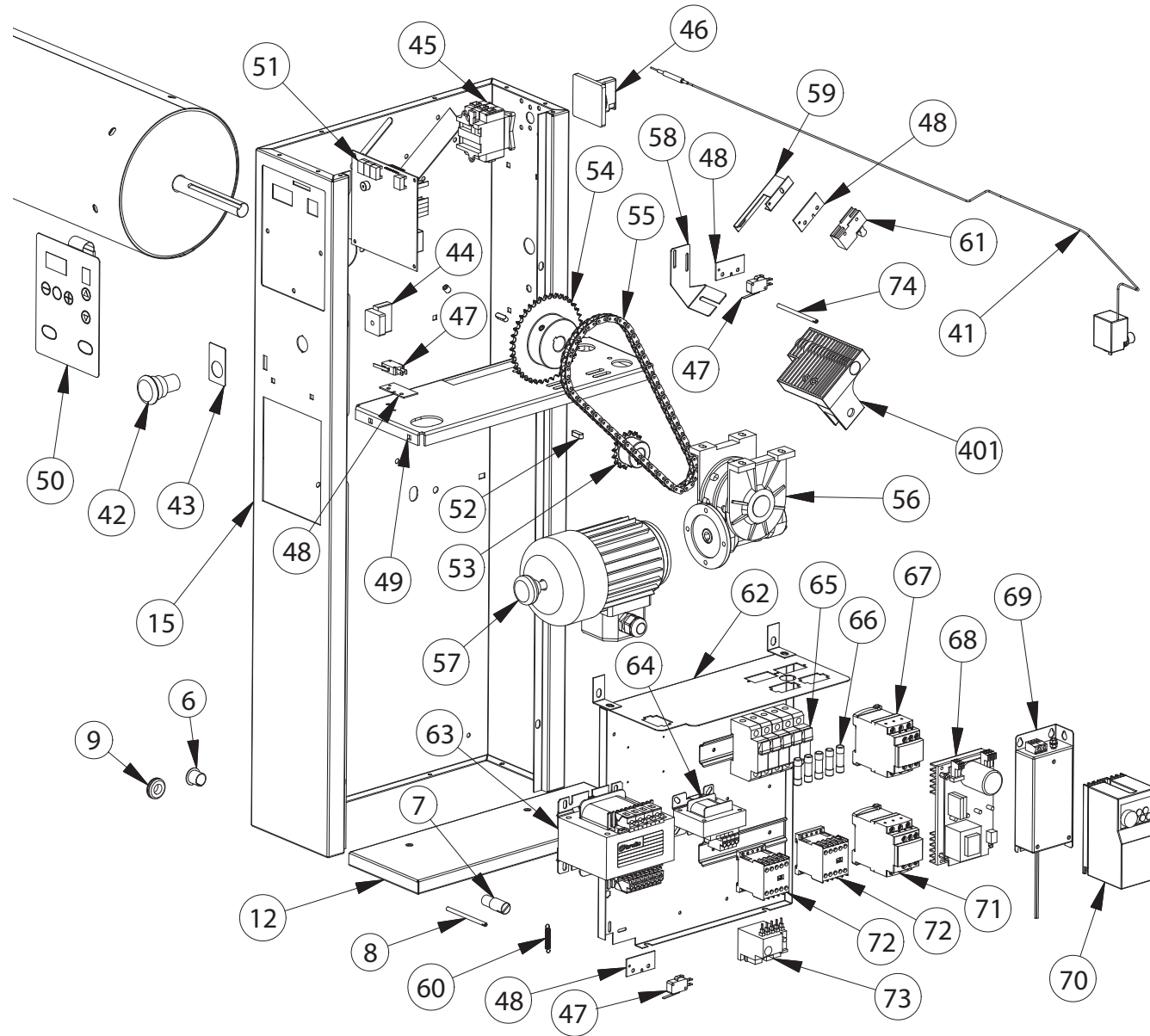
FIG. A , CABINET



Model

Roller diameter 25 cm , roller length 100 , 120 , 140 cm , with or without roller speed control , with or without suction fan

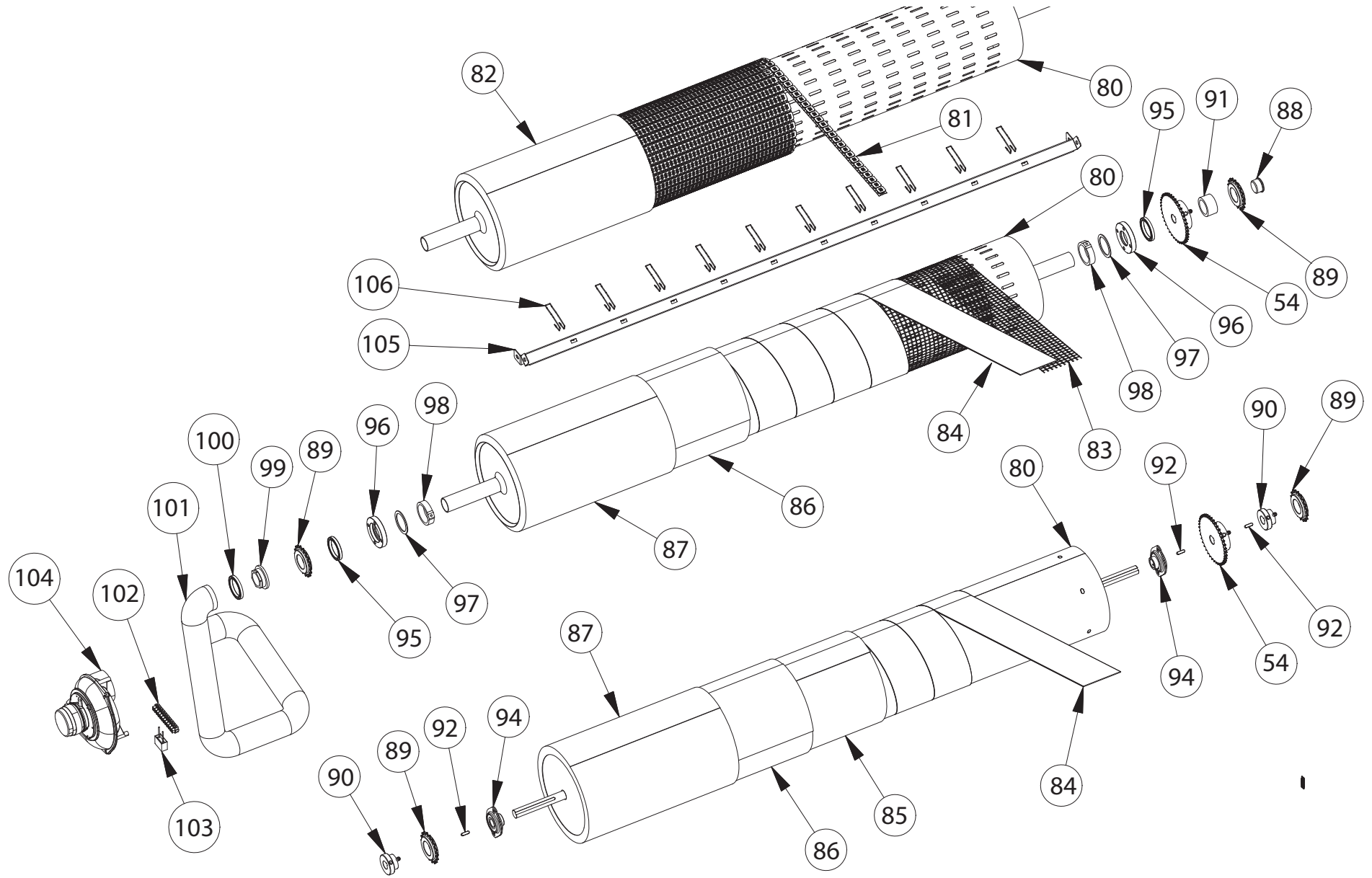
FIG. B , COMAND CABINET



Model

Roller diameter 25 cm , roller length 100 , 120 , 140 cm , with or without roller speed control , with or without suction fan

FIG. C , ROLLER & COVER



Model	Roller diameter 25 cm , roller length 100 , 120 , 140 cm , with or without roller speed control , with or without suction fan					LEGENDA PEZZI, SPARE PART LIST	
Pos.	Descrizione	Description	Quantita'-quantity			Code	Note
			100cm	120cm	140cm		
1	Vite 5 x 35	Screw 5 x 35	2	2	2	SPGR540401000535	
2	Nottolino	Plastic nut	2	2	2	SPGR540601000102	
	Rondella	Plastic washer	2	2	2	SPGR540404000050	
3	Cremagliera assemblata	Rack assembly	1	1	1	SPGR545014007601	
3a	Support conca in plastica	Plastic basin holder	1	1	1	SPGR543014005502	
3b	Coppiglia	Clip	4	4	4	SPGR540405000012	
3c	Spina acciaio 12 x 40	Stainless steel shaft 12 x 40	2	2	2	SPGR540405001240	
3d	Archetto in plastica	Plastic arc	2	2	2	SPGR543014005801	
3e	Rullino temperato	Tempered roller	10	10	10	SPGR543014006400	
3f	Dado autobloccante M5	Nut M5	10	10	10	SPGR540402000005	
3g	Gremagliera plastica	Plastic rack	2	2	2	SPGR543014000801	
3h	Bullone rullino	Roller screw	10	10	10	SPGR543014005400	
4	Cremagliera assemblata	Rack assembly	1	1	1	SPGR545014007701	
4a	Support conca in plastica	Plastic support basin	1	1	1	SPGR543014005501	
4b	Coppiglia	Clip	4	4	4	SPGR540405000012	
4c	Spina acciaio 12 x 40	Stainless steel shaft 12 x 40	2	2	2	SPGR540405001240	
4d	Archetto in plastica	Plastic arc	2	2	2	SPGR543014005801	
4e	Rullino temperato	Tempered roller	10	10	10	SPGR543014006400	
4f	Dado autobloccante M5	Nut M5	10	10	10	SPGR540402000005	
4g	Gremagliera plastica	Plastic rack	2	2	2	SPGR543014000801	
4h	Bullone rullino	Roller screw	10	10	10	SPGR543014005400	
5	Piastrina asta salvadita	Safety bar side plate	2	2	2	SPGR543014004101	SN ≥ J0315001793
6	Bussola pedale	Pedal bush	2	2	2	SPGR550000701008	SN ≥ J0315002213
						SPGR543014006300	SN ≤ J0315002212
7	Asse pedaliera	Pedal shaft	2	2	2	SPGR550000000028	SN ≤ J0315002213
8	Perno micropedaliera	Pedal switch pin	2	2	2	SPGR550000000029	Verificare con Nicola
9	Gommino	Rubber	2	2	2	SPGR540601000003	

Model	Roller diameter 25 cm , roller length 100 , 120 , 140 cm , with or without roller speed control , with or without suction fan					LEGENDA PEZZI, SPARE PART LIST			
Pos.	Descrizione	Description	Quantita'-quantity			Code	Note		
			100cm	120cm	140cm				
10	Pedaliera	Pedal	1			SPGR544010004300	SN ≤ J0315002288		
			1			SPGR543010004500	SN ≥ J0315002294		
				1		SPGR544012004300	SN ≤ J0315002306		
				1		SPGR543012004500	SN ≥ J0315002315		
					1	SPGR544014004300	SN ≤ J0315002192		
					1	SPGR543014004500	SN ≥ J0315002213		
11	Vasca raccogli biancheria	Laundry basket	1			SPGR543010003001	SN ≥ J0325000001	Grey	
				1		SPGR543012003001	SN ≥ J0325000001		
					1	SPGR543014003001	SN ≥ J0325000001	Grey, without fan	
			1			SPGR543014003000	SN ≤ J0315013440	Beige	
				1		SPGR543012003000	SN ≤ J0315013440		
					1	SPGR543014003000	SN ≤ J0315013440	Beige, without fan	
			Laundry basket asp.			1	SPGR543014003005	SN ≤ J0315013440	Beige
			Laundry basket			1	SPGR543014003006	J0325000001 ≤ SN ≤ J0325005561	Grey
				1	SPGR543014003010	SN ≥ J0325005562			
12	Chiusura inferiore	Lower cover right lift	1	1	1	SPGR543014001501	SN ≥ J0325000975		
		Lower cover left	1	1	1	SPGR543014001500	SN ≤ J0315010573, SN ≤ J0325000974		
		Leveling rubber screw	4	4	4	SPGR543014001600	SN ≤ J0315010572 for 100/25		
13	Piedino regolabile	Leveling rubber screw	4	4	4	SPGR540601000305			
14	Fianco	Side right	1	1	1	SPGR543014002700	SN ≤ J0315013440	Beige, without fan	
			1	1	1	SPGR543014002701	SN ≥ J0325000001	Grey, without fan	
		Side right asp.			1	SPGR543014002706	J0325000001 ≤ SN ≤ J0325005561	Grey	
					1	SPGR543014002705	SN ≤ J0315013440	Beige	
					1	SPGR543014002707	SN ≥ J0325005562	Grey	
15	Fianco comandi	Comand side cabinet	1	1	1	SPGR543014001303	SN ≥ J0325000001	Grey, L=130mm, without fan	
					1	SPGR543014001306	SN ≥ J0315001793	Beige, L=130mm	
					1	SPGR543014001305	SN ≥ J0325000001	Grey, L=130mm	
					1	SPGR543014005100	SN ≤ J0310001383	Beige, L=150mm	
			1	1	1	SPGR543014001500	J0315001793 ≤ SN ≤ J0315013440	Beige, L=130mm, without fan	
16	Porta emergenza	Emergency door	1	1	1	SPGR543014002100	SN ≤ J0315013440	Beige	
			1	1	1	SPGR543014002101	SN ≥ J0325000001	Grey	
17	Chiave per serratura	Lock key	1	1	1	SPGR540601000007			

Model	Roller diameter 25 cm , roller length 100 , 120 , 140 cm , with or without roller speed control , with or without suction fan					LEGENDA PEZZI, SPARE PART LIST		
Pos.	Descrizione	Description	Quantita'-quantity			Code	Note	
			100cm	120cm	140cm			
18	Serratura	Door lock	1	1	1	SPGR406010000007		
19	Piastrina micro sportello	Door switch plate	1	1	1	SPGR543014002300		
20	Maniglia	Handle	2	2	2	SPGR540601000200		
21	Pannello laterale	Door left	2	2	2	SPGR543014001801	SN ≥ J0325000001	Grey
			2	2	2	SPGR543014001800	SN ≥ J0315013440	Beige
23	Chiusura superiore	Upper cover	2	2	2	SPGR543014001400	J0315001793 ≤ SN ≤	
			2	2	2	SPGR543014001401	SN ≥ J0325000001	Grey
24	Guida conca	Basin guide	2	2	2	SPGR543014002400		
25	Asse in legno	Wooden board	1			SPGR543010005100		
		Basin cover		1		SPGR543012005100		
		Wooden board			1	SPGR543014005100		
26	Chiusura inferiore	Lower cover	1	1	1	SPGR543014001501	SN ≥ J0325000975	
			1	1	1	SPGR543014001500	SN ≤ J0325000974	
27	Molla a gas	Gas spring	2	2	2	SPGR543014005901		
28	Supporto molla a gas	Gas spring support	2	2	2	SPGR543014003800		
29	Supporto asse in legno	Wooden board support	2	2	2	SPGR543014005200	SN ≤ J0315013440	Beige
			2	2	2	SPGR543014005201	SN ≥ J0325000001	Grey
30	Asta salvadita verniciata	Finger safety rod	1			SPGR543010004005	SN ≥ J0315005242	RED
				1		SPGR543012004005	SN ≥ J0315005222	
					1	SPGR543014004005	SN ≥ J0315005141	
			1			SPGR543010004010	SN ≥ J0315005242	BLACK
				1		SPGR543012004010	SN ≥ J0315005222	
					1	SPGR543014004010	SN ≥ J0315005141	
31	Asta salvadita	Finger guard protection	1			SPGR543010004000	SN ≥ J0315005221	
				1		SPGR543012004000	SN ≥ J0315005204	
		Finger safety rod			1	SPGR543014004000	SN ≥ J0315005140	
32	Conca in alluminio	Alluminimu basin	1			SPGR540100003300		
				1		SPGR543012003300		
					1	SPGR543014003300		
33	Resistenza riscaldamento	Heater	3			SPGR540651000118		230-400 VAC market
			3			SPGR540651000130		240-415 -> 480 VAC market
				3		SPGR540651000138		115-120 VAC market
				3		SPGR540651000122		230-400 VAC market
				3		SPGR540651000132		240-415 -> 480 VAC market

Model	Roller diameter 25 cm , roller length 100 , 120 , 140 cm , with or without roller speed control , with or without suction fan					LEGENDA PEZZI, SPARE PART LIST	
Pos.	Descrizione	Description	Quantita'-quantity			Code	Note
			100cm	120cm	140cm		
33	Resistenza riscaldamento	Heater			3	SPGR540651000126	230-400 VAC market
					3	SPGR540651000134	240-415 -> 480 VAC market
					3	SPGR540651000128	230-400 VAC market
34	Supporto conca	Fianco DX conca	1	1	1	SPGR543014003600	
35	Supporto conca	Fianco SX conca	1	1	1	SPGR543014002200	
36	Sonda PT100	Drill PT100	1	1	1	SPGR540751000021	
37	Molla fissaggio-resistenze	Heater spring	9	11	12	SPGR543014007500	
38	Materassino isolante	Thermal insulation	1			SPGR540203050850	
					1	SPGR540200502515	
				1		SPGR540203051050	
39	Carter isolante	Insulation plate	1			SPGR543010004300	
				1		SPGR543012004300	
					1	SPGR543014004300	
40	Carter copriconca	Basin cover	1			SPGR543010003705	SN ≤ J0315013440
			1			SPGR543010003706	SN ≥ J0325000001
				1		SPGR543012003706	SN ≥ J0325000001
					1	SPGR543014003706	SN ≥ J0325000001
				1		SPGR543012003705	SN ≥ J0315013440
					1	SPGR543014003705	SN ≥ J0315013440
41	Termostato di sicurezza	Safety thermostat	1	1	1	SPGR540751000028	
42	Pulsante emergenza	Emergency switch	1	1	1	SPGR540751000025	
43	Etichetta STOP	Stop label	1	1	1	SPGR543014000405	
44	Ghiera e contatto	Control membrane for version with speed regulation	1	1	1	SPGR543014000300	
45	Interruttore sezionatore	Switch	1	1		SPGR50-GI-851165	230 VAC - 1 ph
			1	1	1		230-400 -> 480 VAC 3ph
		Main switch			1	SPGR50-GI-851167	230 VAC - 1ph
				1		SPGR50-GI-851186	115-120 VAC 1 ph
46	Manovra NERA	Black lever for switch	1	1	1	SPGR50-GI-851183	
47	Micro pedaliera	Pedal micro switch	3	3	3	SPGR54-GI-651130	

Model	Roller diameter 25 cm , roller length 100 , 120 , 140 cm , with or without roller speed control , with or without suction fan					LEGENDA PEZZI, SPARE PART LIST	
Pos.	Descrizione	Description	Quantita'-quantity			Code	Note
			100cm	120cm	140cm		
48	Isolante per micro	Isolante per micro	4	4	4	SPGR540200502515	
49	Mensola motore	Mensola motore	1	1	1	SPGR543014001700	
50	Membrana comandi	Control board	1	1	1	SPGR540601000043	Customized version
			1	1	1	SPGR540601000042	L = 130 mm
			1	1	1	SPGR540601000044	Customized version
			1	1	1	SPGR540601000041	L = 130 mm
			1	1	1	SPGR540601000020	L = 150 mm
51	Display verde	Display verde	4	4	4	SPGR540601000021	Customized version
	Scheda comando	Control card	1	1	1	SPGR540601000022	without inverter
	Scheda comando	Command card	1	1	1	SPGR540601000024	with inverter
52	Linguetta 6 x 6 x 40	Key 6 x 6 x 40	2	2	2	SPGR540405006640	
53	Pignone 3/8" Z16	PINION	1	1	1	SPGR543014000200	60Hz without inverter
	Pignone 3/8" Z13		1	1	1	SPGR543014000500	
54	Pignone 3/8" Z40		1	1	1	SPGR543014000400	Version without fan
	Pignone 3/8" Z40 ASP.	Pignone 3/8" Z40 ASP.			1	SPGR543014000405	Version with fan
55	Catena 3/8"	Chain 3/8"	1	1	1	SPGR999997000005	L=730mm
56	Riduttore rullo	Reduction gear	1	1	1	SPGR540651000052	RM1 40S 1/100
57	Motore rullo 63 3F 0,18KW 50HZ I-070A	Roller motor	1	1		SPGR540651000050	All voltage supply - With speed regulator
			1	1	1		230, 240, 400, 415 VAC 50Hz and 440, 480 VAC 60Hz Without speed regulator - or - All voltages with speed regulator
	Motore rullo 63 3F 0,18KW 4P B14 60HZ		1	1	1	SPGR540651000051	230, 240, 400, 415 VAC 60Hz Without speed regularot
58	Supporto micro salvadita	Safety finger switch support	1	1	1	SPGR543014002601	
59	Supporto micro fine conca	Limit switch support	1	1	1	SPGR543014006800	

Model	Roller diameter 25 cm , roller length 100 , 120 , 140 cm , with or without roller speed control , with or without suction fan					LEGENDA PEZZI, SPARE PART LIST	
Pos.	Descrizione	Description	Quantita'-quantity			Code	Note
			100cm	120cm	140cm		
60	Molla pedale	Pedal spring	1	1	1	SPGR540601000050	
61	Micro depressione	Depression Microswitch	1	1	1	SPGR50-GI-951021	
62	Supporto cablaggio	Electrical component plate	1	1	1	SPGR540601000050	without inverter
			1	1	1	SPGR540601000008	with inverter
63	Trasformatore per versione con regolazione velocita'	Transformer for version with speed regulation	1	1	1	SPGR50-851000294	
			1	1	1	SPGR50-851000284	
			1	1	1	SPGR50-851000289	
64	Trasformatore per versione senza regolazione velocita'	Transformer for version without speed regulation	1	1	1	SPGR50-851000283	230-400-440 VAC 3 ph
			1	1	1	SPGR50-851000291	480 VAC 3 ph
65	Portafusibile	Fuse holder	8	8	8	SPGR50-GI-851121	115-120 VAC 1 ph
			5	5	5		230 -> 480 VAC 3 ph
			4	4			230 VAC - 1 ph
66	Fusibile 10,3X38 0,5A	Fusibile 10,3X38 0,5A	2	2	2	SPGR999997000005	230V 3 ph without inverter
			2	2	2		400 -> 480 VAC 3 ph without inverter
	Fusibile 10,3X38 10A	Fuse 10,3X38 10A	3	3		SPGR999997000100	400 -> 480 VAC 3 ph with inverter
			3	3			400 -> 480 VAC 3 ph without inverter
	Fusibile 10,3X38 16A	Fuse 10,3X38 16A			6	SPGR999997000160	230 VAC 1 ph with inverter
			3	3			230 V 3 ph with inverter
			3	3			230 V 3 ph without inverter
					3		400 ->480 VAC 3 ph with inverter
	Fusibile 10,3X38 25A	Fuse 10,3X38 25A			3	SPGR999997000250	400 ->480 VAC 3 ph without inverter
				6			115-120 VAC 1 ph with inverter
			2				230 VAC 1 ph with inverter
					3		230 V 3 ph with inverter
Fusibile 10,3X38 32A	Fusibile 10,3X38 32A			3	SPGR999997000320	230 V 3 ph without inverter	
			2			230 VAC 1 ph with inverter	

Model	Roller diameter 25 cm , roller length 100 , 120 , 140 cm , with or without roller speed control , with or without suction fan					LEGENDA PEZZI, SPARE PART LIST		
Pos.	Descrizione	Description	Quantita'-quantity			Code	Note	
			100cm	120cm	140cm			
	Fusibile 10,3X38 4A GG	Fuse 10,3X38 4A GG		2		SPGR999997000040	115-120 VAC 1 ph with inverter	
			2	2	2		230 VAC 1 ph with inverter	
			2	2	2		230 V 3 ph with inverter	
			2	2	2		400 -> 480 VAC 3 ph with inverter	
67	Contattore riscaldamento versione con regolazione velocita'	Heating contactor for version with speed regulation	1	1	2	SPGR50-851000242	230 VAC - 1 ph	
				2		SPGR50-851000245	115-120 VAC 1 ph	
			1	1		SPGR50-851000250	230 V 3 ph	
			1	1	1		400 -> 480 VAC 3 ph	
					1	SPGR50-851000249	230 V 3 ph	
68	Inverter EN 0,2-0,4-Vedi	Inverter EN 0,2-0,4-Vedi	1	1	1	SPGR540751000045	with inverter	J0315003778≤ SN ≤J0315008164
69	Filtro	Filter	1	1	1	SPGR40751000041		SN ≤ J0315003771 SN ≥ J0315008201
70	Inverter FR-D 720S-014-EC	Inverter FR-D 720S-014-EC	1	1	1	SPGR540601000346		SN ≤ J0315003771 SN ≥ J0315008201
71	Contattore KW 4 230V	Contactor 220V KW4	1	1		SPGR50-851000250	230V 3 ph	
	Contattore KW 7,5 230V	Contactor 220V KW7,5			1		SPGR50-851000249	400 -> 480 VAC 3 ph
72	Mini contattore KW4 230V	Mini contactor KW4 230V	2	2	2	SPGR50-851000262	without inverter	
73	Ausiliario Termica MTV10AT	Auxiliary	1	1	1	SPGR50-851000268	Optional	
	RELE Termico	Thermal Relay	1	1	1	SPGR540601000070	400 -> 480 VAC 3 ph	
	RELE Termico	Thermal Relay	1	1	1	SPGR543014006900	230V 3 ph	
74	Perno per Salvadita	Perno per Salvadita	1	1	1	SPGR543014004200	230V 3 ph	
80	Rullo Completo S100/25	Complet Roller	1			SPGR544010004700	230V 3 ph	
	Rullo Completo S120/25			1		SPGR544012004700		
	Rullo Completo S140/25				1	SPGR544014004700	Version without fan	
	Rullo Completo S140/25 ASP.		Complet Roller ASP.			1	SPGR544014004705	Version with fan
81	Molle max press H = 10 mm	Molle max press H = 10mm			45	SPGR53-GI-100015	SN ≥ J0315006411	Version with fan and spring or laminar press (metres)
	Molle Lamell S140/25	Molle Lamell S140/25			30	SPGR53-GI-1000151	SN ≤ J0315006130	
82	Molletone NOMEX S140/25	NOMEX Sheet			1	SPGR54-GI-601042		
83	RETE METALLICA	STEEL Net			2	SPGR540100000500	Version with fan and iron wool (kg)	
84	LANA Acciaio	Iron Wool	5	5	5	SPGR53-GI-100011	Version with iron wool (kg)	

Model	Roller diameter 25 cm , roller length 100 , 120 , 140 cm , with or without roller speed control , with or without suction fan					LEGENDA PEZZI, SPARE PART LIST		
Pos.	Descrizione	Description	Quantita'-quantity			Code	Note	
			100cm	120cm	140cm			
85	TELO JUTA S100/25	JUTA Sheet (*----)	1			SPGR54-GI-601015	Version without fan	SN ≤ J0325004715
	TELO JUTA S120/25-S120/18	JUTA Sheet (-*---)		1		SPGR54-GI-601018		
	TELO JUTA S140/25	JUTA Sheet (--*---)			1	SPGR54-GI-601026		
86	MOLLETTONE S100/25	Thick Flannel Layer (*----)	1			SPGR54-GI-601016	Version with iron wool	
	MOLLETTONE S120/25	Thick Flannel Layer (-*---)		1		SPGR54-GI-601019		
	MOLLETTONE S140/25	Thick Flannel Layer (--*---)			1	SPGR54-GI-601027		
87	TELO S100/25	Cotton Sheet (*----)	1			SPGR54-GI-601020		
	TELO S120/25	Cotton Sheet		1		SPGR54-GI-601022		
	TELO S140/25	Cotton Sheet (--*---)			1	SPGR54-GI-601028		
	TELO ARAMIDICO S120/25	ARAMID Sheets		1		SPGR54-GI-601038		
	TELO ARAMIDICO S100/25		1			SPGR54-GI-601035		
	TELO ARAMIDICO S140/25				1	SPGR54-GI-601040		
88	TAPPO Chiusura ALB. RULLO ASP	Roller Closing Plug			1	SPGR540601000002		
89	RUOTA LIBERA	Free Wheel	2	2	2	SPGR540601000347	1/2"x1/8" Z18	
90	SUP. Filettato per RUOTA LIB.	Free Wheel Support	2	2	2	SPGR543014000600	Version without fan	
91	DISTANZIALE LATO MOTORE	DISTANZIALE LATO MOTORE			1	SPGR543014008000	Version with fan	
92	LINGUETTA UNI 6 x 6 x 40	KEY UNI 6 x 6 x 40	3	3	3	SPGR540405006640	Version without fan	
94	CUSCINETTO	Bearing	2	2	2	SPGR540601000069		
95	CUSCINETTO DIA.35 INT.	Bearing DIA.35 INT.			2	SPGR540601000070	Version with fan	
96	Supporto Albero Rullo ASP.	Support Roller Shaft			2	SPGR543014006900		
97	Rondella Taflon D.45x2	Rondella Taflon D.45x2			2	SPGR540404000035		
98	Anello Fis. Rullo S140 ASP.	Anello Fis. Rullo S140 ASP.			2	SPGR543014007100		
99	Supporto Tubo Aspirazione	Support Pipe ASP.			1	SPGR543014007000		
100	Cuscinetto 61809 2RS1	Bearing 61809 2RS1 NAZ.			1	SPGR550000701080		
101	Tubo Aspirazione Diam.57mm	Suction Pipe			2	SPGR550000701014	1pc = 1 metre	
102	Morsettiera MAMUT	Sway Electric Terminal			1	SPGR50-851000045		
103	Condensatore 1MF	Capacitor 1MF (-*--)			1	SPGR53-GI-751111	SN ≤ J0325005561	Version with fan
104	ASPIRATORE S/25 V220/1 50Hz	Air Extractor S/25 V220/1 50 Hz			1	SPGR540651000048	J0325005561≤SN≤ J0325005561	
	Boccaglio Alluminio /25 UL-CSA	Mouthpiece Aluminum / 25 UL-CSA			1	SPGR543014009025	SN ≥ J0325005562	

Model	Roller diameter 25 cm , roller length 100 , 120 , 140 cm , with or without roller speed control , with or without suction fan					LEGENDA PEZZI, SPARE PART LIST		
Pos.	Descrizione	Description	Quantita'-quantity			Code	Note	
			100cm	120cm	140cm			
	CURVA 90° M/F ø80MM PER SCARICO	90° Bend for Drain ULCSA			1	SPGR543014009040	SN ≥ J0325005562	Version with fan
	ASPIRATORE S/25 V230	Air Extractor S/25 V230			1	SPGR540651000046	SN ≥ J0325005562	
105	ASTA INOX STACCABIANCHERIA S140/25 1°SER	ASTA INOX STACCABIANCHERIA S140/25 1°SER			1	SPGR543014009000		
	ASTA INOX STACCABIANCHERIA S140/25 2°SER	ASTA INOX STACCABIANCHERIA S140/25 2°SER			1	SPGR543014009001	SN ≥ J0325002244	
106	MOLLA IN FILO STACCABIAN. SP.1,5 mm(old)	MOLLA IN FILO STACCABIAN. SP.1,5 mm(old)			9	SPGR550000000100		
	MOLLA STACCA BIANCHERIA S-25-30 2° SERIE	S-25-30 WHEEL SPRING SPRING 2-SERIES			15	SPGR550000000101	SN ≥ J0325002244	