


# Product Information

**Subject** Positioning and Leveling the Machine  
**Use With** D505171 and 685961

## Position and Level the Unit

	<b>WARNING</b>
<p>Units elevated above floor level must be anchored to that elevated surface, base or platform. The material used to elevate the unit should also be anchored to the floor to ensure that the unit will not walk or that the unit can not be physically pulled, tipped or slid from its installed position. Failure to do so may result in conditions which can produce serious injury, death and/or property damage.</p>	
<small>W307</small>	

Place unit in position on a clean, firm and reasonably level floor. Installing the unit on any type of carpeting is not recommended.

Loosen 7/8" locknut and adjust the front and rear leveling legs until the unit is level from side to side and front to back (using a level). Unit should not rock.

**NOTE: Level must rest on raised portion of top panel. Refer to Figure 1.**

**Tighten the locknuts securely against the unit base using the 7/8" wrench. If the locknuts are not tight, unit will move out of position during operation.**

**NOTE: DO NOT slide unit more than four feet across floor if the leveling legs have been extended, as legs and base could become damaged.**

**NOTE: Use of the dispenser drawer or washer or dryer doors as handles in the transportation of the unit may cause damage to the dispenser or doors.**

Remove rubber feet from accessories bag and place on all four leveling legs.

**NOTE: For further assistance, refer to section on *Location Requirements*.**

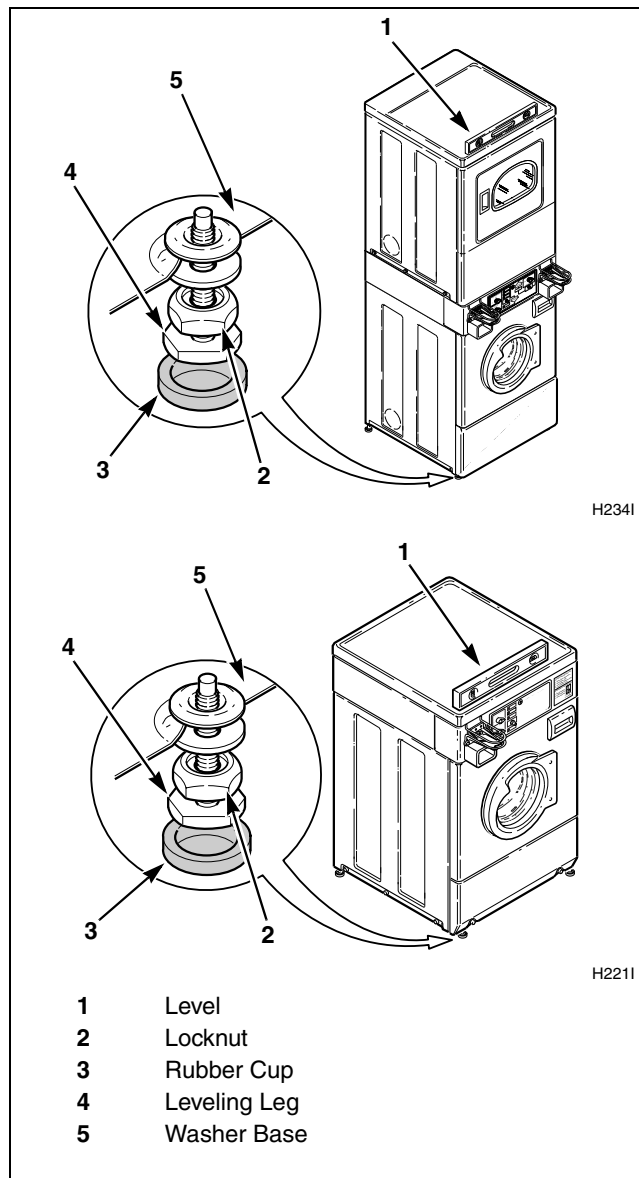


Figure 1