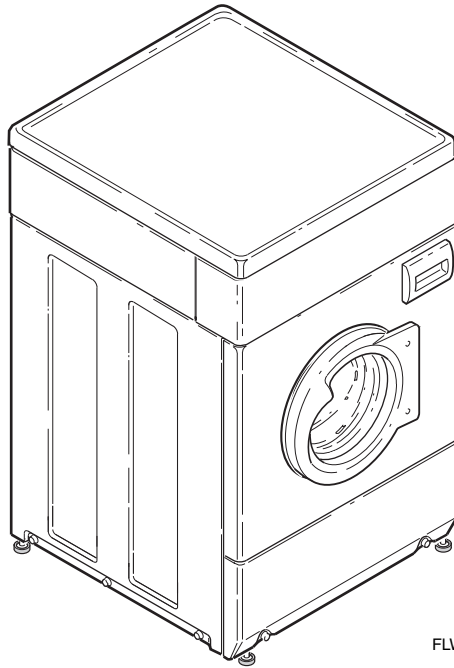


Frontload Washers

Use and Care Guide

NOTA: El manual en español aparece después del manual en inglés.



FLW1511C

Keep These Instructions for Future Reference.

(If this machine changes ownership, this manual must accompany machine.)



www.comlaundry.com

Part No. 800970R1
April 2003



WARNING

For your safety and to reduce the risk of fire or an explosion, do not store or use gasoline or other flammable vapors and liquids in the vicinity of this or any other appliance.

W022E

**IMPORTANT: Read the complete
INSTALLATION/OPERATION INSTRUCTIONS
before using the washer.**

Table of Contents


Important Safety Instructions	5
Use and Care	7
Before Washing	7
Prepare Wash Load	7
Sort	7
Pretreat	8
Load Articles.....	8
Load Sizes	8
Water.....	8
Water Level.....	8
Water Hardness	8
Iron	9
Energy	9
Washing Special Items	10
Common Washer Sounds	10
Washing Concerns	11
Laundry Tips.....	12
Special Care	13
Starching	13
Knits	13
Permanent Press	13
Stain Removal.....	14
Maintenance	17
User Maintenance	17
Lubrication	17
Cold Weather Care.....	17
Vacations and Extended Non-Use	17
Care of Your Washer	17
Reinstallation of Shipping Materials	17
Before You Call for Service	18
If Service Is Required	19
Information for Handy Reference.....	20

© Copyright 2003, Alliance Laundry Systems LLC

All rights reserved. No part of the contents of this book may be reproduced or transmitted in any form or by any means without the expressed written consent of the publisher.

Important Safety Instructions

(Save These Instructions)

	WARNING
<p>To reduce the risk of fire, electric shock, serious injury or death to persons when using your washer, follow these basic precautions:</p>	
<small>W023</small>	

1. Read all instructions before using the washer.
2. Refer to the **GROUNDING INSTRUCTIONS** in the **INSTALLATION** manual for the proper grounding of the washer.
3. Do not wash articles that have been previously cleaned in, washed in, soaked in, or spotted with gasoline, dry-cleaning solvents, or other flammable or explosive substances as they give off vapors that could ignite or explode.
4. Do not add gasoline, dry-cleaning solvents, or other flammable or explosive substances to the wash water. These substances give off vapors that could ignite or explode.
5. Under certain conditions, hydrogen gas may be produced in a hot water system that has not been used for two weeks or more. **HYDROGEN GAS IS EXPLOSIVE**. If the hot water system has not been used for such a period, before using a washing machine or combination washer-dryer, turn on all hot water faucets and let the water flow from each for several minutes. This will release any accumulated hydrogen gas. The gas is flammable, do not smoke or use an open flame during this time.
6. Do not allow children to play on or in the washer. Close supervision of children is necessary when the washer is used near children. This is a safety rule for all appliances.
7. Before the washer is removed from service or discarded, remove the door to the washing compartment.
8. Do not reach into the washer if the wash drum is moving.
9. Do not install or store the washer where it will be exposed to water and/or weather.
10. Do not tamper with the controls.
11. Do not repair or replace any part of the washer, or attempt any servicing unless specifically recommended in the User-Maintenance instructions or in published User-Repair instructions that you understand and have the skills to carry out.
12. To reduce the risk of an electric shock or fire, **DO NOT** use an extension cord or an adapter to connect the washer to the electrical power source.
13. Use your washer only for its intended purpose, washing clothes.
14. **ALWAYS** disconnect the washer from electrical supply before attempting any service. Disconnect the power cord by grasping the plug, not the cord.
15. Install the washer according to the **INSTALLATION INSTRUCTIONS**. All connections for water, drain, electrical power and grounding must comply with local codes and be made by licensed personnel when required. Do not do it yourself unless you know how!
16. To reduce the risk of fire, clothes which have traces of any flammable substances such as vegetable oil, cooking oil, machine oil, flammable chemicals, thinner, etc. or anything containing wax or chemicals such as in mops and cleaning cloths, must not be put into the washer. These flammable substances may cause the fabric to catch on fire by itself.
17. Do not use fabric softeners or products to eliminate static unless recommended by the manufacturer of the fabric softener or product.
18. Keep your washer in good condition. Bumping or dropping the washer can damage safety features. If this occurs, have your washer checked by a qualified service person.
19. Replace worn power cords and/or loose plugs.
20. Be sure water connections have a shut-off valve and that fill hose connections are tight. **CLOSE** the shut-off valves at the end of each wash day.

Important Safety Instructions

21. Loading door **MUST BE CLOSED** any time the washer is to fill, tumble or spin. **DO NOT** bypass the loading door switch by permitting the washer to operate with the loading door open.
22. Always read and follow manufacturer's instructions on packages of laundry and cleaning aids. Heed all warnings or precautions. To reduce the risk of poisoning or chemical burns, keep them out of the reach of children at all times (preferably in a locked cabinet).
23. Always follow the fabric care instructions supplied by the garment manufacturer.
24. Never operate the washer with any guards and/or panels removed.
25. **DO NOT** operate the washer with missing or broken parts.
26. **DO NOT** bypass any safety devices.
27. Failure to install, maintain, and/or operate this washer according to the manufacturer's instructions may result in conditions which can produce bodily injury and/or property damage.

NOTE: The WARNING and IMPORTANT SAFETY INSTRUCTIONS appearing in this manual are not meant to cover all possible conditions and situations that may occur. Common sense, caution and care must be exercised when installing, maintaining, or operating the washer.

Always contact your dealer, distributor, service agent or the manufacturer about any problems or conditions you do not understand.

Use and Care

Before Washing

Prepare Wash Load

Empty Pockets and Cuffs

Make sure all pockets are empty and turn them inside out. One bobby pin, metal or plastic toy, nail or sharp object in a load can catch laundry and cause tears. Facial tissue left in a pocket will produce extreme “lint.” A crayon or lipstick in a wash load may cause stains that cannot be removed. Roll down cuffs and shake out grass, sand, and gravel.

Mend Rips and Tears

Little holes can become bigger in the washer. Mend holes and tears before placing garments in the washer.

Close Zipper and Fasten Hooks

These can catch on garments in a wash load and tear them. Tie belts and sashes so they won't wind around clothes.

Check for Colorfastness

Squeeze a portion of garment in warm or hot sudsy water. If the color bleeds or runs, wash the item separately in cold water.

Sort

Proper sorting is easy if you follow a few guidelines:

1. Sort by color.

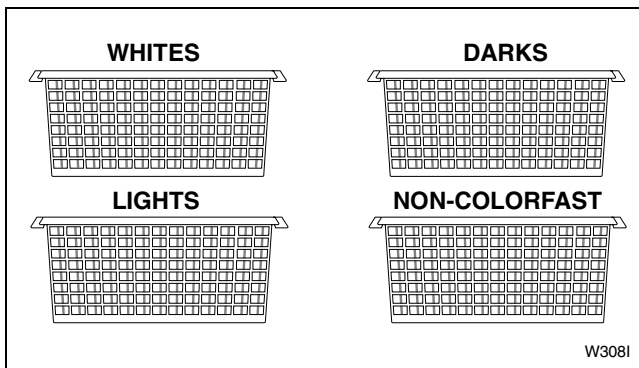


Figure 1

2. Sort by fabric and construction.

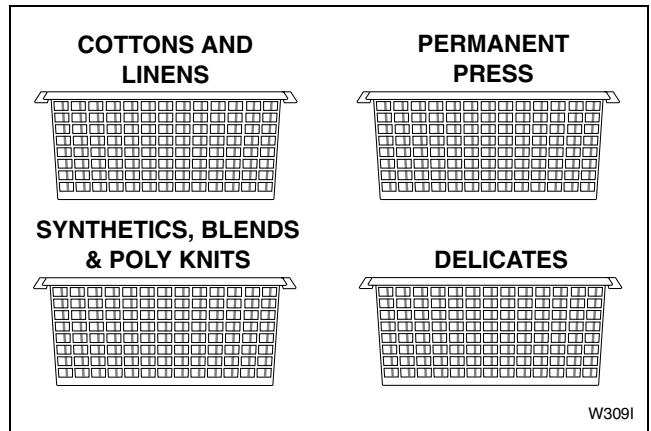


Figure 2

3. Sort by care label.

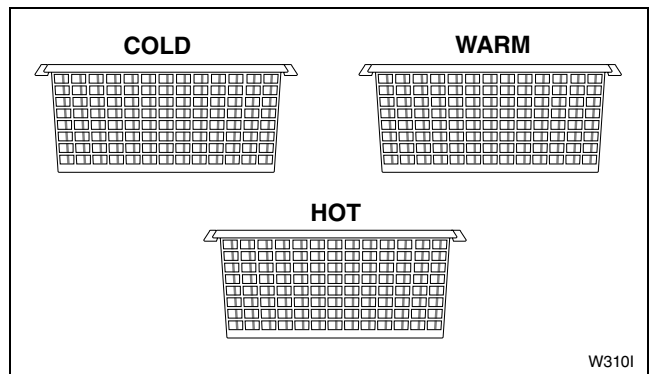


Figure 3

4. Sort by type and amount of soil.

Children's play clothes, as well as work clothes, will need extra treatment. Lightly soiled clothes can become dingy if washed with heavily soiled items.

Use and Care

Pretreat

Pretreat shirt collars and cuffs with a pre-wash product or liquid detergent when placing them in the washer. Before washing, treat special stains with bar soap, liquid detergent or a paste of water and granular detergent. Use a pretreat soil and stain remover.

Load Articles

Load items by the amount of space they take up, not by their weight. Mix large and small items in a load to get the best washing results.

Load items loosely into the wash drum. The bulk of the clothes rather than the weight will determine load size.

Load Sizes

Load sizes vary. Small and large items should be washed together to create a balanced load. If washing a large item, two bath towels should be added to even the load. Smaller loads can create an unbalanced condition and cause premature wear on the washer. Do not hesitate to fill the entire inner drum of the washer. The load will compress a great deal when wet. This allows room for proper tumbling.

Water

Water Level

The washer will automatically adjust the water level to the type and size of the load during any fill.

Water Hardness

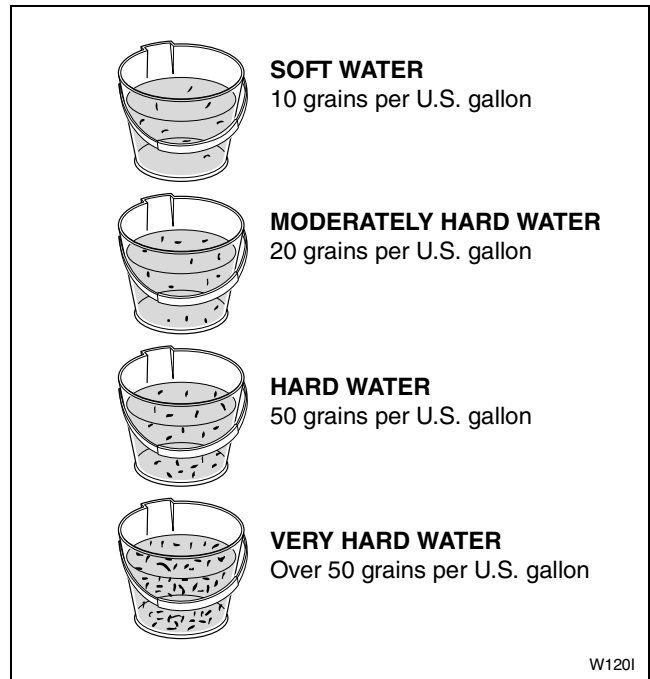


Figure 4

NOTE: One grain per U.S. gallon equals 17.1 parts per million (P.P.M.).

Water hardness is measured in grains per gallon (G.P.G.) or parts per million (P.P.M.). To learn your water hardness, call your Water Department or State Extension Service. Hard water will not remove soil as well as soft water and can result in gray, dingy laundry. To get clothes clean in hard water, use more detergent but avoid oversudsing. Do not use soap.

Hard Water May Be Softened By:

1. A mechanical water softener installed in your home.
2. The use of a packaged water conditioner.

Soft Water

Water should be soft enough to allow soaps and detergents to remove soil effectively. Clothes will be whiter and brighter when washed and rinsed in soft water.

Iron

If iron is present in the water, the clothes may become an all-over yellow or they may be stained with brown or orange spots or streaks. Iron is not always visible in the water.

Solutions to Iron Problems

The installation of a water softener will remove small amounts of iron from the water supply. The installation of an iron filter may be necessary for more severe cases. If the iron comes from the pipes, it may be sufficient just to let the water run into the empty washer for about one minute. This may help to clear the pipes. Spin this water out of the wash drum before starting the wash.

If iron comes from the water heater, drain the heater occasionally to remove the rust.

Iron with Chlorine Bleach

The use of chlorine bleach with water that contains iron will make the rust discoloration worse. Use an “all fabric” bleach.

Energy

You can save energy when washing by following a few guidelines:

1. Heating water accounts for the greatest energy expense when washing. Save on heating water by using cold rinses.
2. Wash full loads, but do not overload.
3. Soak heavily soiled items to reduce wash times.
4. Select a shorter wash time for lightly soiled items.

Use and Care

Washing Special Items

NOTE: Always follow manufacturer's care label instructions.

Bedding	<ul style="list-style-type: none"> ● Warm wash and warm rinse. ● PERMANENT PRESS cycle. ● Pretreat heavily soiled areas before washing. ● When washing an electric blanket, protect the plug by stitching the edge of the blanket over the plug. Only dry in the dryer if manufacturer says it can be done.
Diapers	<ul style="list-style-type: none"> ● Rinse out diapers immediately in cold water and soak in a diaper pail with a small amount of detergent or enzyme presoak. ● Limit wash load to two dozen cloth baby diapers. ● Recommend an all-purpose, low-sudsing detergent.
Draperies, Curtains, Slip Covers	<ul style="list-style-type: none"> ● Shake to remove dust. Remove hooks and close zippers. ● Do not wash sun-damaged draperies and curtains. They will not withstand washing. ● Use warm water. ● Wash curtains frequently. They can be weakened from soil, fumes, dust and the sun. ● Fiberglass curtains need gentle care. Read care label to see if washable. Some fiberglass curtains should be hand washed.
Pillows (Feather and Down)	<ul style="list-style-type: none"> ● Do not wash pillows unless they can be dried in the dryer. They may mildew if not dried completely. ● Use warm wash and low-sudsing detergent.
Rugs	<ul style="list-style-type: none"> ● Shake before washing. Do not use hot water on rubber-backed rugs. ● Wash two or three rugs to balance the washer.
Slips and Nightgowns	<ul style="list-style-type: none"> ● Wash often using all-purpose detergent, warm or hot water and cold rinse on the PERMANENT PRESS cycle. ● To keep nylons and polyesters white, wash only with whites and use chlorine bleach occasionally. ● Use fabric softener to remove static electricity.

Common Washer Sounds

Sounds	Cause
Accelerating	This sound is heard during the spin portion of every cycle.
Tapping	These sharp sounds may come from metal fasteners, zippers, belt buckles or coins hitting the wash drum or door glass.
Thumping	Washer may be out of balance. Washer is designed to balance the load. If the washer is severely unbalanced, pull timer knob out to stop washer and redistribute the load.
Rumbling	Washer may not be level. Stop washer and adjust leveling legs. Refer to INSTALLATION INSTRUCTIONS for details.

Washing Concerns

To keep clothes looking white or bright and to prevent a gradual build-up of soil or water hardness minerals

on them, use proper washing practices at all times. If you notice that your clothes are not as bright as they should be, take corrective measures immediately.

Problem	Cause	Solution
Gray or Dingy Clothes	Too Little or Too Much Detergent	Add recommended amount of low-sudsing detergent to dispenser drawer before loading clothes. Mild detergents are not suitable for average soil.
	Improper Sorting	Wash whites separately. Separate light from heavily soiled items. Clothes can pick up soil from dirty wash water.
	Water Not Hot Enough	White clothes will stay whiter with hot wash water. Increase temperature.
Yellowed Clothes	Unremoved Soil	Skin soil is hard to remove. Check hem edge of sheets and pillowcases, bottom end of t-shirts, etc. If this portion is white and center is yellow, the fabric contains unremoved soil. Use sufficient detergent and a hot wash. Chlorine bleach or powdered bleach may be needed.
	Clothes Stained from Iron in the Water	To test for an iron stain, use a rust remover that is recommended for use with washing machines on a portion of the garment. Follow bottle directions for larger items.
	Older Clothes	Some white fabrics turn yellow with age and cannot be whitened.
Clothes Tearing or Damaged	Improper Use of Chlorine	No correction for bleach damaged clothes. Always keep level at or below maximum in bleach dispenser compartment.
	Insufficient Pre-care	Fasten all hooks and zippers. Mend tears. Remove objects from pockets.
Excessive Lint	Improper Sorting	Fabrics which shed lint should not be washed with fabrics that receive lint.
	Insufficient Detergent	Use enough detergent so lint remains suspended in water and flushed out. Do not oversuds the water.
	Mixing Fabric Types	Knits and permanent press attract lint. Wash these only with similar items. Use fabric softener in dispenser drawer.

Laundry Tips

Laundry Aids	Use	Comments
Pretreat Products	<ul style="list-style-type: none"> ● Use a pretreating agent and soak overnight to remove stains and soils. ● Always follow manufacturer’s instructions with any pretreatment product. 	<ul style="list-style-type: none"> ● Do not use a pretreating agent with chlorine bleach. ● Do not use pretreaters around the washer or dryer control panel. They may harm the finish or panel markings.
Detergents/Soaps	<ul style="list-style-type: none"> ● Use low-sudsing detergent (recommended for high efficiency or front loading washers) in your washer. ● When using detergents made for topload washers, use 1/3 of the recommended amount to prevent oversudsing. Using these detergents may decrease cleaning performance. 	<ul style="list-style-type: none"> ● Soap and powdered detergents will not give good washing results in hard water. Soap in hard water will form sticky deposits. ● We do not recommend the use of powdered soap when washing in cold water.
Bleaches	<ul style="list-style-type: none"> ● Use to remove certain stains, disinfect, and keep clothes white. ● Do not use powdered bleach in the bleach dispenser compartments. Powdered bleach can be used in the detergent compartment only. ● Use liquid bleach in the proper dispenser compartment only. Do not add bleach to the wash load. ● Follow directions on care label of garment. ● Do not use bleach as a substitute for detergent. 	<ul style="list-style-type: none"> ● Always measure the bleach. Never exceed maximum level on bleach dispenser. ● Never use chlorine bleach and ammonia in the same wash cycle. ● Add powdered bleach along with the detergent.
Fabric Softeners	<ul style="list-style-type: none"> ● Use to soften clothes and remove static electricity from permanent press knits and other fabrics of manufactured fibers. ● Add to the fabric softener dispenser compartment. Follow bottle directions carefully. 	<ul style="list-style-type: none"> ● Do not add fabric softener directly to load. Use fabric softener dispenser. ● Do not mix with detergent or bleach. ● Do not fill past maximum level on dispenser compartment.
Water Conditioners	<p>Non-precipitating Type</p> <ul style="list-style-type: none"> ● These products soften water by tying up the hardness minerals and are recommended if using soap when water is over three grains hard. <p>Precipitating Type</p> <ul style="list-style-type: none"> ● These products settle out hardness minerals by converting them into particles that will not dissolve in the water. 	<ul style="list-style-type: none"> ● Use water conditioner when necessary.

Special Care

Starching

We do not recommend starching in this washer.

Knits

A variety of knits are used for many types of clothing and household furnishings. Many knits are machine washable, some are hand washable, and some must be dry-cleaned. When buying, make sure the garment has a care label with care instructions. These directions must be followed. Some knits are stretched during their manufacture and may shrink or relax when exposed to water.

Cotton Knits

Unless the label indicates that it is preshrunk, cotton knits will probably shrink to some degree. Overdrying contributes to shrinkage of cotton knits. Wash water should be hot or warm, suitable for color and soil. The rinse water should be cold.

Rayon Knits

Rayon stretches and shrinks easily. Treat as a delicate fabric and wash gently.

Synthetic Fiber Knits

Knits made from synthetic fibers or blends containing a high percentage of synthetics will generally keep their shape. When buying, make sure the trimmings (including belts) are machine washable, seams are not puckered, and zippers and trimmings are well fastened.

Knits of Manufactured Fibers

In general, follow the rules for permanent press fabrics as they tend to have the same characteristics. Set machine to PERMANENT PRESS cycle. Set the wash water warm, or suitable for color and soil. Rinse water should be cold. Do not wash with lint-shedding fabrics. Separate items for color, washing whites separately.

Sweaters of Manufactured Fibers

Follow directions for comparable knits. Button sweaters and turn inside out. The ribbon behind the buttons and button holes may shrink. Stretch to shape after washing. Orlon sweaters may stretch. Avoid pulling them when wet. Dry items in dryer.

Wool Sweaters

Loosely knit or delicately constructed sweaters will need delicate care. Hand wash. Measure garment before and after washing. Squeeze gently through the water with little motion. Rinse thoroughly. Block to shape and dry flat.

For sweaters labeled “machine washable,” follow manufacturer’s directions. Dry flat. Excess tumbling is the main cause of wool shrinkage.

Wool Knits

Dry-clean wool knits unless labeled “machine washable.” Follow manufacturer’s directions.

Permanent Press

Permanent or durable press garments and household items will usually not need pressing when washed and dried properly. However, some will be more wrinkle resistant than others.

The care needed for permanent press is a little different than for cottons. Permanent press garments will soften or become pliable when heated. This softening in warm or hot wash water will allow wear wrinkles to be removed. This will also cause the fabric to wrinkle if it is crushed, squeezed or spun when hot.

Permanent press cycles of washers, when washer controls are properly set, will cool the clothes before the wash spin to avoid wrinkling. Because the clothes soften when heated, it is important to remove them from the washer as soon as tumbling stops.

How to Wash Permanent Press

1. Sort loads correctly. Refer to *Before Washing* section.
2. Do not wash with lint-shedding loads. Permanent press attracts lint in the wash water.
3. Pretreat grease stains and oily areas. This is especially important for shirt collars and cuffs. Rub liquid detergent or a paste of detergent into the area.
4. Use the PERMANENT PRESS cycle, hot or warm water, cold rinse, and sufficient detergent.
5. Use fabric softener in the dispenser. This will reduce the static electricity which attracts lint and makes garments cling.


To Dry Permanent Press

For best results, permanent press should be dried in the dryer. See garment care labels. Ironing may be necessary. Use low heat setting on iron or steam setting on a steam iron.

Use and Care

Stain Removal

Many soils will not become stains if treated promptly. Older stains may be difficult or impossible to remove. Hot water will set some stains, particularly protein-based stains. Use cold or warm water on these before washing in hot water.

	WARNING
<p>Never put highly flammable substances like gasoline, kerosene, waxes, cooking oils, dry-cleaning solvents, etc. into a washer or dryer. Never put articles that have been cleaned with such substances into a washer or dryer. Failure to comply with these warnings could result in a fire, explosion, and/or serious burns or death. All items with these substances on them should be thoroughly hand-washed with a detergent so that no trace of the flammable substances remains. The articles can then be machine washed and/or dried.</p> <p>When using any kind of a dry-cleaning fluid, follow the manufacturer's recommendations. The fumes should never be inhaled. Use in a well ventilated room away from sparks and flames. Air dry before washing or drying. Dry-cleaning fluid may cause a "ring" to be formed on some permanent press fabrics. This will not wash out. To remove, clean the garment in a coin-operated dry-cleaning unit, or by a professional dry-cleaner.</p>	
W024E	

Stain	Treatment
Adhesive Tape	Place face down on paper towels and sponge with a dry-cleaning solvent (refer to WARNING above). Launder.
Airplane Glue	Place face down on paper towels and sponge with fingernail polish remover until stain dissolves. Launder.
Alcoholic Beverages	Sponge stain immediately with cold water or soak stain 30 minutes in cold water. Apply detergent to any trace of stain while still wet. If safe for the fabric, launder in hot water using chlorine bleach.
Blood	Treat stain immediately. Soak 30 minutes or more in cold water. Rub detergent into stain. If stain persists, place a small amount of household ammonia on the stain and rub again with detergent. If safe for fabric, launder in hot water and chlorine bleach if traces of the stain persist.
Candle Wax	Rub with ice and scrape off excess wax. Place stain between paper towels and press with warm iron. Then place stain face down on paper towels and sponge with dry-cleaning solvent (refer to WARNING above). Let dry, launder. If traces of color remain, launder with a commercial color remover (Rit, Putnam, etc.) or if safe for the fabric, hot water and chlorine bleach.
Catsup, Tomato-based Products	Scrape off excess. Soak in cold water 30 minutes. Rub detergent into the stain and if safe for fabric, launder in hot water and chlorine bleach.

Stain	Treatment
Chewing Gum	Rub with ice and scrape off excess gum. Place face down on paper towels and sponge with a dry-cleaning solvent.
Cocoa or Chocolate	Soak in cold water. Rub detergent into stain, rinse. If greasy stain remains, sponge face down on paper towels with a dry-cleaning solvent. If traces of the stain remain, launder in hot water and chlorine bleach (if safe for fabric).
Coffee, Tea	Soak in cold water. Rub detergent into stain, rinse. If traces of the stain remain, launder in hot water with chlorine bleach (if safe for fabric).
Crayon	Treat the same as candle wax or wash in hot water (if safe for fabric) using soap (not a detergent) and 1-2 cups baking soda. If stains remain, professional dry-cleaning may be necessary.
Deodorants and Anti-perspirants	Some of these products contain substances that can change the color of some dyes. The color can sometimes be restored if the area is sponged with ammonia then rinsed. To remove stains, apply white vinegar. Rub, rinse. If stains remain, rub detergent into stain and launder with hot water and chlorine bleach (if safe for fabric).
Dye	Treat with a commercial dye remover (Rit, Putnam, etc.) or if safe for fabric, bleach with chlorine bleach.
Egg	If dried, scrape off excess. Soak in cold water. Rub detergent into damp stain and if safe for fabric, launder in hot water and chlorine bleach.
Fabric Softener	Dampen stain and rub with bar soap. Launder as usual.
Fruit Juices	Soak in cold water. Launder in hot water with chlorine bleach (if safe for fabric).
Grease, Oil	Place face down on paper towel and sponge with dry-cleaning fluid (refer to WARNING on previous page). Dampen stain with water and rub with bar soap or detergent. Launder in hot water (if safe for fabric).
Ink	Saturate the stain with hair spray or place the fabric face down on paper towel and sponge with cleaning fluid or rubbing alcohol (refer to WARNING on previous page). Rinse. If traces of the stain remain, rub detergent into the dampened stain and launder. Some inks may be impossible to remove.
Iodine	Rinse from the back side of the stain with cold water. Then soak in a commercial color remover (Rit, Putnam, etc.) or rub in a paste of water and starch. Let stand for 15-30 minutes and launder.
Lipstick	Place on paper towel and sponge with cleaning fluid (refer to WARNING on previous page). Rinse. Rub dampened stain with bar soap and launder.
Mildew	Treat promptly. Mildew damages fabric and sometimes cannot be removed. Launder with chlorine bleach. For items that cannot be washed with chlorine bleach, soak in an all-fabric bleach, then launder.
Milk and Milk Products	Soak in cold water. Launder in hot water and chlorine bleach (if safe for fabric). Sponge with a cleaning fluid (refer to WARNING on previous page), if a stain is noticeable. Rewash.
Miscellaneous Eye and Face Make-up, Tar, Gravy, Felt-tip Marker, Pitch, Typewriter Ribbon	Place stain side down on paper towel and sponge with dry-cleaning fluid (refer to WARNING on previous page). Apply dry spotter (one part mineral water and eight parts dry-cleaning solvent). Tap on the stain with a spoon to loosen it. Keep stain moist with dry spotter and blot occasionally with toweling. Continue until stain is removed. Allow to dry completely, rinse in warm water, and launder as usual.

Use and Care

Stain	Treatment
Mud	Scrape off excess. Soak in solution of one quart warm water, half teaspoon liquid hand dishwashing detergent and one tablespoon vinegar for 15 minutes. Rinse. Launder in hot or warm water with enzyme product.
Mustard	Rub dampened stain with bar soap. Launder in hot water and chlorine bleach (if safe for fabric).
Nail Polish	Place face down on paper towel. Sponge with nail polish remover (non-oily) until stain disappears. Launder. Do not use nail polish remover on Acetate or Arnel fabrics.
Paint	Water-based – Treat by rinsing fabric in cool water while stains are still wet. Then launder. Dried paint cannot be removed. Oil-based – Pretreat with a solvent recommended on the paint container. If not available, use mineral spirits. Rinse. Pretreat with a stain remover or detergent, rinse and launder.
Perspiration	Rub dampened stain with detergent. Launder in hot water and chlorine bleach (if safe for fabric). If the fabric is discolored, you can try to restore it by treating fresh stains with ammonia or old stains with vinegar.
Rust	Apply a commercial rust remover (Whink, Rit, RoVer, etc.). Follow manufacturer's directions and launder as usual.
Scorching	Launder using hot water and chlorine bleach (if safe for fabric). Fabrics can be damaged by being scorched. If this has happened, you may not be able to remove the marks.
Shoe Polish	Rub dampened stain with detergent. Launder in hot water and chlorine bleach (if safe for fabric).
Soft Drinks	Rinse stain with cold water immediately. Launder in warm water and chlorine bleach (if safe for fabric).
Tobacco	Dampen stain and rub with bar soap. Rinse. If necessary, soak in an all-fabric bleach solution. If stain remains, launder with chlorine bleach (if safe for fabric).
Urine	Rinse with cold water. Soak with an enzyme soaking product. Launder in hot water with chlorine bleach (if safe for fabric). If the color of the fabric has changed, sponging the area with ammonia may restore the color.
Vomit	Soak in a solution of one quart warm water, half teaspoon liquid hand dishwashing detergent, and one tablespoon ammonia (if safe for fabric). Soak 15 minutes. Use sponge to loosen stain. Blot with toweling. Launder in hot water (if safe for fabric) with an enzyme product.

Maintenance

User Maintenance

Lubrication

All moving parts are sealed in a permanent supply of lubricant or are equipped with oilless bearings. Additional lubrication will not be necessary.

Cold Weather Care

If the washer is delivered on a cold day (below freezing), or is stored in an unheated room or area during the cold months, do not attempt to operate it until the washer has had a chance to warm up.

Vacations and Extended Non-Use

IMPORTANT: To avoid possible property damage due to flooding, turn off the water supply to the washer whenever there will be an extended period of non-use.

Care of Your Washer

Use only a damp or sudsy cloth for cleaning the control panel. Some cleaning product sprays may harm the finish on the control panel or damage the interior of the hood.

Wipe the washer cabinet as needed. If detergent, bleach or other washing products are spilled on the cabinet, wipe immediately. Some products will cause permanent damage if spilled on the cabinet.

Do not use scouring pads or abrasive cleansers.

Do not lay sharp or rough objects on or against the washer. The finish could be damaged.

The wash drum and window will need no particular care although they may need rinsing or wiping after an unusual load has been washed. Outside of window can be cleaned with household window cleaner.

Reinstallation of Shipping Materials

Remove front access panel by removing two screws.

Place the shock sleeves on all four shock absorbers. Refer to *Figure 5*.

Insert hooked end of shipping brace into the open slot of the motor mount. Attach with bolts and washers. Refer to *Figure 5*.

Reinstall front access panel.

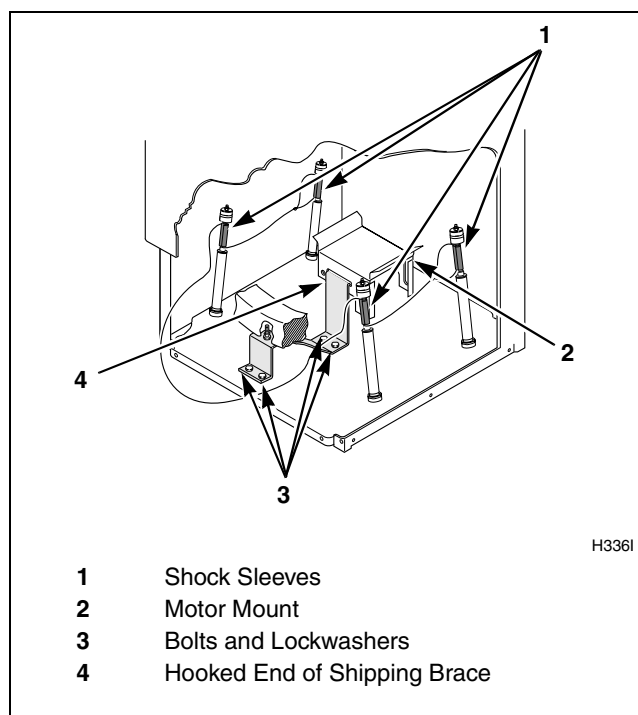


Figure 5

Refer to the INSTALLATION INSTRUCTIONS for proper procedures whenever the washer is moved.

Maintenance

Before You Call for Service

You may save time and money by checking the following:

If the Washer:

Won't Fill	Won't Start	Won't Tumble	Won't Spin	Won't Drain	Possible Reason – Do This to Correct
	•				Be sure power cord is plugged all the way into the electrical outlet.
•	•	•	•		Close the loading door tightly.
•	•	•	•		Check the house fuse or circuit breaker.
•					Turn on the hot and cold water faucets.
	•				Check to make sure the cycle selector switch is not set to the OFF position.
•					Clean the screens in the water mixing valve.
		•	•		Are controls properly set?
		•	•		Broken drive belt. Call the service person.
			•	•	Foreign object trap clogged. Clean foreign object trap.

If Service Is Required

If service is required, contact the nearest Factory Authorized Service Center.

If you are unable to locate an authorized service center or are unsatisfied with the service performed on your unit, contact:

Alliance Laundry Systems
Shepard Street
P.O. Box 990
Ripon, WI 54971-0990
U.S.A.
Phone: (920) 748-3950

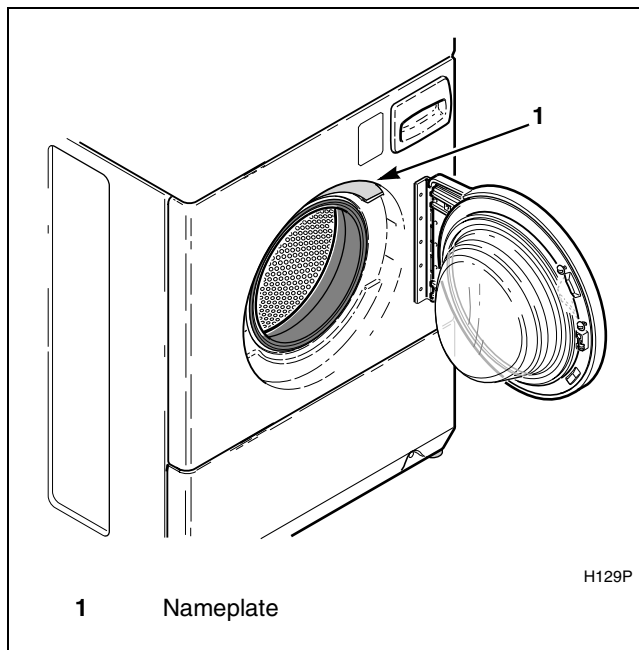


Figure 6

When calling or writing about your unit, PLEASE GIVE THE MODEL AND SERIAL NUMBERS. The model and serial numbers are located on the nameplate. The nameplate will be in the location shown in *Figure 6*.

Please include a copy of your bill of sale and any service receipts you have.

	WARNING
<p>To reduce the risk of serious injury or death, DO NOT repair or replace any part of the unit or attempt any servicing unless specifically recommended in the user-maintenance instructions or in published user-repair instructions that you understand and have the skills to carry out.</p>	
<small>W329</small>	

Maintenance

Information for Handy Reference

**Alliance Laundry Systems
Shepard Street
P.O. Box 990
Ripon, WI 54971-0990
U.S.A.
Phone: (920) 748-3950**

Date Purchased _____

Model Number _____ Serial Number _____

Dealer's Name _____

Dealer's Address _____ Phone Number _____

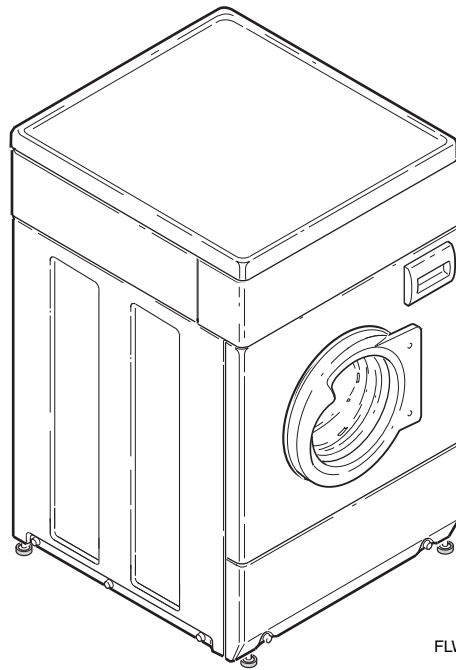
Service Agency _____

Service Agency Address _____ Phone Number _____

NOTE: Record the above information and keep your sales slip. Model and serial numbers are located on the nameplate.

Lavadoras con carga frontal

— Guía de uso y cuidado —



FLW1511C

Guarde estas instrucciones para referencia en el futuro.
(Si la unidad cambia de dueño, asegúrese de que este manual vaya con la misma).



www.comlaundry.com

Pieza No. 800970R1
Abril 2003



ADVERTENCIA

Por su propia seguridad y para reducir el riesgo de incendio o explosión no almacene ni use gasolina u otros vapores y líquidos inflamables cerca de éste o cualquier otro aparato electrodoméstico.

W022S

IMPORTANTE: Lea todas las INSTRUCCIONES DE INSTALACIÓN Y DE USO antes de usar la lavadora.

Contenido

Instrucciones de seguridad importantes	27
Uso y cuidado	29
Antes de lavar	29
Preparación de la carga de ropa	29
Clasificación de la ropa.....	29
Tratamiento previo al lavado	30
Carga de ropa	30
Tamaño de la carga	30
Agua.....	30
Nivel de agua	30
Dureza del agua.....	30
Hierro	31
Energía eléctrica.....	31
Lavado de prendas especiales.....	32
Sonidos comunes de la lavadora	32
Problemas de lavado	33
Consejos para el lavado	34
Cuidado especial.....	35
Uso de almidón	35
Tejidos de punto.....	35
Planchado permanente	35
Eliminación de manchas	36
Mantenimiento	41
Mantenimiento para el usuario	41
Lubricación	41
Cuidados en climas fríos	41
Vacaciones y falta de uso durante un período prolongado	41
Cuidado de la lavadora.....	41
Reinstalación del material de embarque.....	41
Antes de llamar al centro de servicio.....	42
Si la unidad necesita servicio.....	43
Información de referencia.....	44

© Copyright 2003, Alliance Laundry Systems LLC

Reservados todos los derechos. Ninguna sección del presente manual puede ser reproducida o transmitida en forma alguna o a través de ningún medio sin el expreso consentimiento por escrito del editor.

Instrucciones de seguridad importantes

(Guarde estas instrucciones)



ADVERTENCIA

Para reducir el peligro de incendio, descarga eléctrica y lesiones personales incluso letales, al utilizar la lavadora, observe las siguientes medidas de precaución básicas:

W023SA

1. Lea todas las instrucciones antes de utilizar la lavadora.
2. Remítase a la sección de INSTRUCCIONES DE CONEXIÓN A TIERRA que aparecen en el manual de INSTALACIÓN para una correcta conexión a tierra de la lavadora.
3. No lave prendas que se hayan limpiado, lavado, sumergido o tratado con gasolina, solventes para lavar al seco u otras sustancias inflamables o explosivas. Estas sustancias despiden gases que pueden encenderse o explotar.
4. No agregue gasolina, solventes para lavar al seco u otras sustancias explosivas o inflamables al agua que utilizará para el lavado. Estas sustancias despiden vapores que pueden encenderse o explotar.
5. En ciertos casos, cuando no se utiliza el sistema de agua caliente durante dos semanas o más, puede almacenarse gas hidrógeno en dicho sistema. **EL GAS HIDRÓGENO ES EXPLOSIVO.** Si no ha utilizado el sistema de agua caliente durante dos semanas o más, antes de usar la lavadora o la lavadora-secadora, abra todos los grifos del agua caliente y deje que el agua fluya por ellos durante cierto tiempo. De esta manera, se liberará todo el gas hidrógeno acumulado. Dicho gas es inflamable. No fume ni utilice llama abierta durante este lapso de tiempo.
6. No deje que los niños jueguen sobre o dentro de la lavadora. Debe supervisarse cuidadosamente a los niños cuando se utiliza la lavadora cerca de ellos. Ésta es una medida de seguridad para todos los electrodomésticos.
7. Antes de sacar de servicio la lavadora o desecharla, saque la tapa del compartimiento de lavado.
8. No introduzca la mano en la lavadora si la tina o el agitador está en movimiento.
9. No instale ni coloque la lavadora en un lugar donde esté expuesta al agua o a la intemperie.
10. No manipule indebidamente los controles de la lavadora.
11. No repare ni cambie ninguna pieza de la lavadora, ni trate de repararla, salvo que las instrucciones de mantenimiento para el usuario lo recomienden de manera expresa, o si lo indican las instrucciones de reparación para el usuario, que usted está en capacidad de entender y posee las destrezas para ejecutar.
12. Para reducir el riesgo de corto circuito o incendio, **NO UTILICE** extensiones ni adaptadores para conectar la lavadora al tomacorriente.
13. Utilice su lavadora sólo para la finalidad con la que fue fabricada, es decir, para lavar ropa.
14. Desconecte **SIEMPRE** la lavadora del tomacorriente antes de hacerle cualquier mantenimiento. Desconecte el cable de suministro de energía eléctrica sujetando el tomacorriente en lugar de tirar del cable.
15. Instale la lavadora siguiendo las **INSTRUCCIONES DE INSTALACIÓN**. Todas las conexiones de agua, desagüe, suministro de energía eléctrica y tierra deben cumplir con las normas establecidas en los códigos locales y deben ser realizadas por personal autorizado, cuando el caso lo amerite. No realice las conexiones usted mismo a menos que sepa cómo hacerlo.

Instrucciones de seguridad importantes

16. Para reducir los riesgos de incendios, no debe introducirse en la lavadora ropa con rastros de sustancias inflamables, como por ejemplo, aceite vegetal, aceite de cocina, aceite para lubricar máquinas, productos químicos inflamables, diluyente de pinturas, etc., o prendas que contengan ceras u otros productos químicos, como por ejemplo mopas y paños de limpieza. Estas sustancias inflamables pueden provocar que las telas se prendan en fuego.
17. No utilice suavizadores de ropa o productos para eliminar la estática, a menos que lo recomiende el fabricante del suavizador o del producto.
18. Conserve la lavadora en buen estado. Golpear o dejar caer la lavadora puede dañar los dispositivos de seguridad. Si esto ocurre, haga revisar la lavadora por personal de mantenimiento calificado.
19. Cambie los cables de corriente gastados y sustituya los enchufes que estén flojos.
20. Asegúrese de que las conexiones de agua tengan una válvula de corte y que las conexiones de las mangueras de llenado estén bien apretadas. CIERRE las válvulas de corte cuando termine la jornada.
21. La compuerta de carga DEBERÁ ESTAR CERRADA cuando la lavadora se esté llenando o esté funcionando el agitador o el ciclo de centrifugado. NO anule el seguro de la compuerta de carga, permitiendo así que la lavadora funcione (lavado y centrifugado) con la compuerta abierta.
22. Lea y aplique siempre las instrucciones del fabricante que se encuentran en los paquetes de productos para la limpieza y lavado. Respete las advertencias o precauciones. Para reducir el riesgo de envenenamiento o quemaduras con productos químicos, mantenga en todo momento dichos productos fuera del alcance de los niños (guárdelos preferiblemente en un gabinete con llave).
23. Siga siempre las instrucciones para el cuidado de la ropa suministradas por el fabricante de las prendas de vestir.
24. Nunca ponga a funcionar la lavadora sin tener todos los protectores o paneles colocados en su posición.
25. NO ponga a funcionar la lavadora con piezas dañadas o rotas.
26. NO anule ningún dispositivo de seguridad.
27. El incumplimiento de las instrucciones del fabricante para la instalación, mantenimiento o funcionamiento de la lavadora podría provocar lesiones personales o daños a la propiedad.

NOTA: Las INSTRUCCIONES DE SEGURIDAD IMPORTANTES y ADVERTENCIAS que se suministran en este manual no pretenden contemplar todas las posibles situaciones y condiciones que pudieran presentarse. La instalación, mantenimiento y operación de la lavadora deben hacerse con sentido común, precaución y cuidado.

Comuníquese siempre con el vendedor, distribuidor, agente de servicios o con el fabricante cuando tenga problemas o se encuentre en una situación que no comprenda.

Uso y cuidado

Antes de lavar

Preparación de la carga de ropa

Revise los bolsillos y dobleces para determinar si están vacíos

Asegúrese de que los bolsillos estén vacíos, y voltee los hacia fuera. Una horquilla, juguete plástico o metálico, clavo u objeto punzante en una carga de ropa puede engancharse en la ropa lavada y romperla. Una toalla facial que se deje en los bolsillos producirá demasiadas pelusas. Un creyón o lápiz labial en una carga de ropa para lavar puede dejar manchas que no pueden quitarse. Voltee hacia abajo los dobleces y sacuda los restos de hierba, arena y tierra.

Cosa las rasgaduras y desgarrones

Orificios pequeños pueden aumentar de tamaño en la lavadora. Remiende las rasgaduras y rotos antes de colocar la ropa en la lavadora.

Cierre las cremalleras y abroche las hebillas de las correas

Éstos podrían engancharse en la ropa durante el lavado y romperla. Amarre las correas y cinturones, de manera que no se enreden en la ropa.

Saque la ropa que destiña

Cerciórese de que la ropa no destiña, introduciendo una pequeña parte de la prenda en agua jabonosa caliente. Si la prenda se vetea o pierde color, lave la prenda aparte en agua fría.

Clasificación de la ropa

Es muy sencillo clasificar la ropa si sigue estas pocas pautas:

1. Clasifique la ropa según el color.

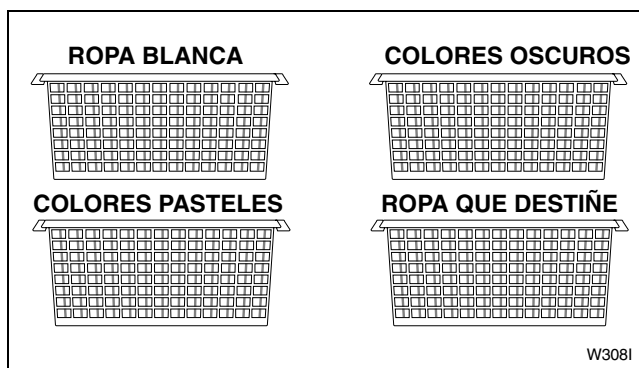


Figura 1

2. Clasifique la ropa por tipo de tela y confección.

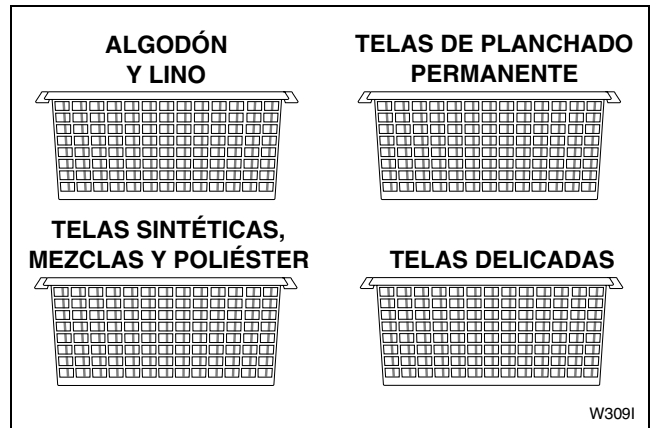


Figura 2

3. Clasifique la ropa según las instrucciones de las etiquetas para el cuidado de la prenda.

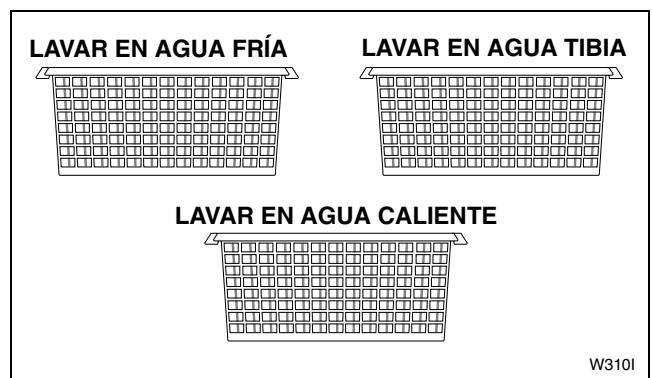


Figura 3

4. Clasifique la ropa por tipo y grado de suciedad.

La ropa de jugar de los niños y la ropa de trabajo necesitan un cuidado extra. La ropa menos sucia puede percutirse si se lava con ropa extremadamente sucia.

Uso y cuidado

Tratamiento previo al lavado

Aplique un tratamiento previo al lavado en los cuellos y puños de las camisas, utilizando un producto de prelavado o un detergente líquido cuando coloque la ropa en la lavadora. Antes de lavar, aplique jabón en barra, detergente líquido o una pasta de jabón en polvo y agua en las manchas como tratamiento especial. Utilice un removedor de manchas y de suciedad como tratamiento antes del lavado.

Carga de ropa

La ropa debe cargarse en la lavadora según el espacio que ocupe y no por el peso. Combine piezas grandes y pequeñas para una carga a fin de obtener los mejores resultados en el lavado.

Coloque la ropa en la tina de manera que quede distribuida holgadamente. La cantidad de ropa y no el peso de la misma determina el peso de la carga.

Tamaño de la carga

Los tamaños de la carga varían. Los artículos pequeños y grandes deben lavarse juntos para producir una carga balanceada. Si va a lavar un artículo grande, deberá agregar dos toallas de baño para equilibrar la carga. Las cargas más pequeñas pueden crear una condición de desbalance y causar un desgaste prematuro de la lavadora. No se preocupe si llena todo el cilindro interior de la lavadora. La carga se comprimirá considerablemente al humedecerse, proporcionando así un espacio suficiente para la agitación.

Agua

Nivel de agua

El nivel de agua de la lavadora se ajustará automáticamente al tipo y tamaño de la carga durante el llenado.

Dureza del agua



Figura 4

NOTA: Un grano por galón americano equivale a 17,1 partes por millón (ppm).

La dureza del agua se mide en granos por galón (gpg), o partes por millón (ppm). Para determinar el nivel de dureza del agua del área donde vive, llame a la empresa proveedora del servicio de acueducto o a la entidad competente. El agua dura no elimina la suciedad de la misma forma que el agua blanda, y puede dejar la ropa grisácea y percutida. Para obtener ropa realmente limpia al lavar con agua dura, utilice una mayor cantidad de detergente pero evite el exceso de espuma. No utilice jabón.

El agua dura puede suavizarse:

1. Con la instalación de un suavizador mecánico de agua en su hogar.
2. Usando un producto acondicionador de agua.

Agua blanda

El agua debe ser lo suficientemente blanda como para que los jabones y detergentes puedan desprender eficazmente la suciedad. La ropa queda más blanca y brillante cuando se lava y enjuaga con agua blanda.

Hierro

Si el agua tiene hierro, la ropa puede adquirir un tono amarillento o presentar manchas o franjas de color marrón o anaranjado. El hierro no siempre puede verse en el agua.

Soluciones a los problemas causados por el hierro

La instalación de un ablandador de agua elimina pequeñas cantidades de hierro del agua suministrada. En casos más graves, quizá sea necesario colocar un filtro de hierro. Si el hierro proviene de los tubos, quizá baste con dejar que el agua caiga en la lavadora vacía durante un minuto. Esto ayuda a limpiar las tuberías. Active el ciclo de centrifugado para vaciar esta agua de la tina antes de comenzar a lavar.

Si el hierro proviene del calentador de agua, vacíe el calentador cada cierto tiempo para eliminar los residuos de óxido.

Combinación de hierro y blanqueador de cloro

El uso de blanqueador de cloro en un agua que contenga hierro aumenta el decoloramiento de los restos de óxido. Utilice un blanqueador que sirva para todo tipo de tela.

Energía eléctrica

Usted puede ahorrar electricidad cuando lava, si sigue estas recomendaciones:

1. Calentar el agua representa el mayor gasto de electricidad cuando se está lavando. Ahorre el agua caliente utilizando agua fría para enjuagar.
2. Utilice cargas completas cuando lave, pero no sobrecargue la lavadora.
3. Utilice ciclos de remojo con la ropa muy sucia a fin de reducir el tiempo de lavado.
4. Seleccione el tiempo de lavado más corto para las prendas ligeramente sucias.

Lavado de prendas especiales

NOTA: Siga siempre las instrucciones del fabricante que aparecen en las etiquetas para el cuidado de la ropa.

Ropa de cama	<ul style="list-style-type: none"> ● Lávela con agua tibia y enjuáguela con agua tibia. ● Utilice el ciclo de PERMANENT PRESS (Planchado permanente). ● Aplique un tratamiento a las áreas muy sucias antes de lavar las prendas. ● Cuando lave una cobija eléctrica, proteja el enchufe, cubriéndolo con un extremo de la cobija y cosiendo dicha punta. Sólo coloque la cobija en la secadora si el fabricante indica que puede hacerlo.
Pañales	<ul style="list-style-type: none"> ● Enjuáguelos inmediatamente con agua fría y colóquelos en un balde con un poco de detergente o un producto de prerremojado con enzimas. ● Limite la carga de ropa a dos docenas de pañales. ● Se recomienda usar un detergente para todo uso.
Cortinas, accesorios y protectores	<ul style="list-style-type: none"> ● Sacúdalos para quitar el polvo. Retire los ganchos y cierre las cremalleras. ● No lave accesorios y cortinas dañados por el sol; no resisten el lavado. ● Utilice agua tibia. ● Lave las cortinas con frecuencia. La tela de las cortinas puede perder su resistencia por la acción de la suciedad, humo, polvo y el sol. ● Las cortinas de fibra de vidrio necesitan mayor cuidado. Lea la etiqueta para el cuidado de la prenda para determinar si puede lavarlas. Algunas cortinas de fibra de vidrio deben lavarse a mano.
Almohadas (de plumas y plumón)	<ul style="list-style-type: none"> ● No lave las almohadas, a menos que puedan secarse en la secadora. Las almohadas pueden enmohecerse si no quedan bien secas. ● Utilice agua tibia para lavar y detergente de baja espuma.
Alfombras	<ul style="list-style-type: none"> ● Sacúdalas antes de lavarlas. No utilice agua caliente para las alfombras con respaldo de goma. ● Lave dos o tres alfombras para equilibrar la carga de la lavadora.
Refajos (enaguas) y batas de noche	<ul style="list-style-type: none"> ● Lávelos frecuentemente con un detergente para todo uso. Lave con agua caliente y enjuague con agua fría utilizando el ciclo de PERMANENT PRESS (Planchado permanente). ● Para conservar la ropa de nylon y poliéster blanca, lávela únicamente con ropa blanca y use blanqueador de cloro cada cierto tiempo. ● Utilice suavizador de ropa en el agua del enjuague para eliminar la electricidad estática.

Sonidos comunes de la lavadora

Sonidos	Causa
Aceleración	Este sonido se escucha durante la etapa de centrifugado de cada ciclo.
Golpeteo	Estos sonidos agudos pueden producirlos los broches metálicos, cierres de cremallera, hebillas de correas o monedas al golpear el cilindro de lavador o el vidrio de la puerta.
Ruido parecido para al de un tambor	Es posible que la lavadora esté fuera de balance. La lavadora está diseñada balancear la carga. Si está demasiado desbalanceada, tire de la perilla del temporizador hacia fuera para detener la lavadora y redistribuya la carga.
Ruido producido por la vibración	Es posible que la lavadora esté desnivelada. Detenga la lavadora y ajuste las patas niveladoras. Para obtener más detalles consulte las INSTRUCCIONES DE INSTALACIÓN.

Problemas de lavado

Para mantener las prendas blancas y resplandecientes, aplique siempre los procedimientos de lavado adecuados a fin de evitar una acumulación gradual de

sucio o la sedimentación de minerales causantes de la dureza del agua. Si observa que su ropa no está tan brillante como debería, adopte las medidas correspondientes de inmediato.

Problema	Causa	Solución
Ropa grisácea y percutida	Detergente insuficiente o excesivo	Agregue la cantidad recomendada de detergente de baja espuma en el compartimiento del surtidor antes de meter la ropa en la lavadora. No se recomienda el uso de detergentes suaves para un grado promedio de suciedad.
	Clasificación incorrecta	Lave la ropa blanca aparte. Separe la ropa ligeramente sucia de la ropa muy sucia. La ropa puede ensuciarse en un agua de lavado sucia.
	Agua no lo suficientemente caliente	La ropa blanca permanecerá más blanca si utiliza agua caliente para el lavado. Aumente la temperatura del agua.
Ropa con un tono amarillento	No se eliminó la suciedad	La suciedad de la piel es difícil de sacar. Revise los bordes de los dobladillos de las sábanas y fundas y el extremo inferior de las camisetas, entre otras cosas. Si estas partes están blancas y el centro está amarillo, la prenda no quedó totalmente limpia. Utilice suficiente detergente y lave con agua caliente. Quizá deba utilizar blanqueador de cloro o blanqueador en polvo.
	Ropa manchada con el hierro presente en el agua	Para determinar si se trata de una mancha de hierro, use un removedor de óxido (recomendado para uso en máquinas lavadoras) sobre una porción de la prenda. Siga las instrucciones del envase para prendas de mayor tamaño.
	Ropa vieja	Algunas prendas blancas se tornan amarillas con el tiempo y no pueden blanquearse.
Ropa rota o dañada	Uso inadecuado del blanqueador de cloro	No existe ningún remedio para la ropa dañada por el cloro. Nunca exceda el nivel máximo del compartimiento del surtidor de blanqueador.
	Tratamiento insuficiente de la ropa antes del lavado	Amarre todos los ganchos y cierres de cremallera. Cosa las rasgaduras. Saque los objetos que se encuentren en los bolsillos.
Exceso de pelusas	Clasificación inadecuada	La ropa que suelta pelusa no puede lavarse con prendas que capten pelusas.
	Cantidad insuficiente de detergente	Utilice suficiente detergente, de manera que las pelusas queden suspendidas en el agua y se vayan con ella. Evite el exceso de espuma en el agua.
	Combinación de varios tipos de tela	Las prendas de planchado permanente y los tejidos de punto atraen pelusas. Lave estas prendas con otra ropa similar. Utilice suavizador de ropa en el agua para enjuagar.

Consejos para el lavado

Ayudas para el lavado	Uso	Comentarios
Tratamiento antes del lavado	<ul style="list-style-type: none"> ● Utilice un producto para tratamiento previo al lavado y deje la ropa en remojo desde la noche anterior para eliminar las manchas y la suciedad. ● Siga siempre las instrucciones del fabricante cuando utilice un producto para tratamiento previo al lavado. 	<ul style="list-style-type: none"> ● No utilice productos para remojar que contengan blanqueador de cloro. ● No utilice productos para tratamiento antes del lavado cerca del panel de control de la lavadora o la secadora. Estos productos pueden dañar el acabado o dejar marcas en el panel.
Detergentes y jabones	<ul style="list-style-type: none"> ● Emplee detergente de baja espuma (recomendado para lavadoras de alta eficiencia o de carga frontal) en la lavadora. ● Si utiliza detergentes elaborados para lavadoras que se cargan por la parte superior, emplee la tercera parte de la cantidad recomendada para evitar que se produzca demasiada espuma. El rendimiento del lavado podría resultar afectado cuando se usa una menor cantidad de detergente. 	<ul style="list-style-type: none"> ● El jabón y los detergentes en polvo sin fosfato no ofrecen buenos resultados cuando se lava con agua dura. El uso de jabón con agua dura crea una sedimentación pegajosa. ● No se recomienda el uso de jabón en polvo cuando se lava con agua fría.
Blanqueadores	<ul style="list-style-type: none"> ● Utilícelos para eliminar cierto tipo de suciedad y manchas, desinfectar y mantener la ropa blanca. ● No utilice blanqueadores en polvo en los compartimientos del surtidor de blanqueador. Los blanqueadores en polvo sólo pueden utilizarse en el compartimiento del detergente. ● Utilice blanqueadores líquido en el compartimiento del surtidor apropiado únicamente. No agregue blanqueador a la carga de artículos a lavar. ● Siga las instrucciones para el cuidado de la prenda que aparecen en la etiqueta. ● No utilice blanqueadores como un sustituto del detergente. 	<ul style="list-style-type: none"> ● Mida siempre la cantidad de blanqueador que va a usar. Nunca exceda el nivel marcado en el surtidor de blanqueador. ● No use nunca blanqueador de cloro y amoníaco en un mismo ciclo de lavado. ● Agregue blanqueador en polvo junto con el detergente.
Suavizadores de ropa	<ul style="list-style-type: none"> ● Utilícelos para suavizar la ropa y eliminar la electricidad estática de los tejidos de planchado permanente y otras telas de fibra sintética. ● Agregue el suavizador en el compartimiento del surtidor de suavizador de ropa. Siga cuidadosamente las instrucciones del envase. 	<ul style="list-style-type: none"> ● No agregue suavizador de ropa directamente sobre la carga. Utilice el surtidor del suavizador de ropa. ● No mezcle con detergente o blanqueador de cloro. ● Al llenar el compartimiento del surtidor, no sobrepase la marca de nivel máximo.
Acondicionadores del agua Acondicionadores sin precipitado Acondicionadores con precipitado	<ul style="list-style-type: none"> ● Estos productos suavizan el agua, restringiendo la cantidad de minerales que causan la dureza. Este tipo de productos se recomienda cuando se utiliza jabón en un agua con más de tres granos de dureza. ● Estos productos asientan los minerales que producen la dureza, convirtiéndolos en partículas que no se disuelven en el agua. 	<ul style="list-style-type: none"> ● Utilice acondicionador de agua cuando sea necesario.

Cuidado especial

Uso de almidón

No es recomendable almidonar la ropa en esta lavadora.

Tejidos de punto

Muchos tipos de ropa y accesorios del hogar están confeccionados con una gama de tejidos de punto. Una gran cantidad de tejidos puede lavarse en lavadora, y algunos deben lavarse al seco. Cuando compre una prenda, asegúrese de que tenga una etiqueta con las instrucciones para su cuidado. Estas instrucciones deberán seguirse. Algunos tejidos son sometidos a un proceso de estiramiento durante su fabricación y pueden encoger o estirarse si se lavan con agua.

Tejidos de algodón

A menos que la etiqueta indique que se trata de una prenda prelavada, los tejidos de algodón probablemente se encogerán un poco. El secado excesivo hace que los tejidos de algodón se encojan. El agua del lavado debe estar caliente o tibia, según lo amerite el grado de suciedad y el color de la prenda. Para el enjuague debe utilizarse agua fría.

Tejidos de rayón

El rayón se estira y encoge con facilidad. Trate este tipo de tela como ropa delicada y lávela con cuidado.

Tejidos sintéticos

Los tejidos elaborados con fibras sintéticas o combinación de fibras que tienen un alto porcentaje de material sintético por lo general conservan su forma. Cuando compre este tipo de prenda, asegúrese de que los accesorios (inclusive las correas) puedan lavarse en lavadora, que las costuras no estén arrugadas y que los cierres y adornos estén bien asegurados.

Tejidos de fibras artificiales (Elaboradas por el hombre)

En términos generales, siga las instrucciones recomendadas para las telas de planchado permanente, ya que éstas tienden a tener las mismas características. Coloque su lavadora en el ciclo de PERMANENT PRESS (Planchado permanente). Seleccione agua tibia para el lavado o el tipo de agua apropiada para el grado de suciedad y el color. Utilice agua fría para el enjuague. No lave esta ropa con prendas que suelten pelusas. Separe las prendas de color de las prendas blancas.

Suéteres de fibras artificiales (Elaboradas por el hombre)

Siga las instrucciones recomendadas para tejidos similares. Abotone los suéteres y voltéelos al revés. La cinta que se encuentra detrás de los botones y los ojales pueden encogerse. Estire para darles forma después de lavarlos. Los suéteres de orlón pueden estirarse. Trate de no estirarlos cuando estén mojados. Séquelos en la secadora.

Suéteres de lana

Los suéteres de tejidos holgado, suelto o con una confección delicada requieren un cuidado especial. Lávelos a mano. Mida la prenda antes y después de lavarla. Exprima suavemente para sacar el agua con un pequeño movimiento. Enjuague bien. Sujételos bien para darle forma y tiéndalos en posición horizontal para que se sequen.

Siga las instrucciones del fabricante en el caso de suéteres que indican que pueden lavarse en lavadora. Tiéndalos para que se sequen. La agitación y rotación excesivas son las causas principales de que la lana se encoja.

Tejidos de lana

Lávelos al seco, salvo si la etiqueta indica que pueden lavarse en lavadora. Siga las instrucciones del fabricante de la prenda.

Planchado permanente

Por lo general, las prendas de vestir y de uso doméstico con planchado permanente o perdurable no ameritan ser planchadas cuando se lavan y se secan adecuadamente. No obstante, algunas prendas son más resistentes a las arrugas que otras.

El cuidado que debe dársele a las prendas de planchado permanente difiere un poco del que debe aplicarse en el caso de telas de algodón. Las prendas de planchado permanente adquieren una textura suave y dócil cuando se someten al calor. La suavidad que adquiere la prenda cuando se lava en agua caliente o tibia permite eliminar las arrugas causadas por el uso de la prenda. Asimismo, esta misma suavidad provocaría que la prenda se arrugue si se exprime, aprieta o estruja cuando está caliente.

Cuando los controles de la lavadora están debidamente ajustados, los ciclos de planchado permanente enfriarán la ropa antes del centrifugado para evitar que ésta se arrugue. Como la ropa se suaviza cuando se calienta, es importante sacarlas de la lavadora lo más rápido posible después de que termina el ciclo de agitado.

Uso y cuidado

Cómo lavar las prendas de planchado permanente

1. Clasifique las cargas correctamente (consulte la sección *Antes de lavar*).
2. No lave estas prendas con ropa que suelten pelusas. Las prendas de planchado permanente atraen muchas pelusas en el agua del lavado.
3. Aplique un tratamiento antes del lavado a las manchas de grasa y áreas donde haya caído aceite. Esto es especialmente importante en el caso de los cuellos y puños de las camisas. Frote el área con detergente líquido o una pasta de detergente.
4. Utilice el ciclo de PERMANENT PRESS (Planchado permanente), lave con agua caliente o tibia, enjuague con agua fría y use suficiente detergente.
5. Use suavizador de ropa en el surtidor. De esta manera reducirá la electricidad estática que atrae las pelusas y hace que las prendas se adhieran.

Cómo secar las prendas de planchado permanente

Para obtener los mejores resultados, las prendas de planchado permanente deben secarse en la secadora. Revise las etiquetas para el cuidado de las prendas. Quizá sea necesario planchar las prendas. Utilice la plancha a una temperatura baja o plánelas con vapor si tiene una plancha a vapor.

Eliminación de manchas

Muchos tipos de suciedad no se convierten en manchas si se eliminan rápidamente. Las manchas viejas pueden resultar difíciles o imposibles de eliminar. El agua caliente puede fijar ciertas manchas, especialmente las manchas causadas por proteínas. Utilice agua fría o tibia con estas manchas antes de lavarlas en agua caliente.



ADVERTENCIA

Nunca ponga sustancias inflamables tales como gasolina, queroseno, ceras, aceites para cocinar, etc. dentro de una lavadora o secadora, ni artículos que hayan sido limpiados con tales sustancias. El no observar esta advertencia podría ocasionar un incendio, explosión y/o quemaduras graves o letales. Todos los artículos que contengan estas sustancias deben ser bien lavados a mano con un detergente a fin de que no queden rastros de las sustancias inflamables. Sólo después de hacer esto podrán lavarse o secarse a máquina estos artículos.

Al utilizar cualquier tipo de líquido para lavar al seco, siga las recomendaciones del fabricante. Los vapores nunca deberán ser inhalados. Úselos en una habitación bien ventilada y lejos de cualquier chispa o llama. Deje secar al aire antes de lavar o secar a máquina. El líquido para lavar al seco puede hacer que se forme un “anillo” en algunas telas de planchado permanente que no sale con el lavado. Para eliminar esta mancha, limpie la prenda en una unidad comercial de lavado al seco de tipo tragamonedas o en una tintorería.

W024S

Mancha	Tratamiento
Cinta adhesiva	Coloque la prenda con el lado de la mancha hacia la toalla de papel y frótela con un solvente para lavado al seco utilizando una esponja (consulte la ADVERTENCIA que aparece en la página 36). Lave la prenda.
Pegamento para aviones	Coloque la prenda con el lado de la mancha hacia la toalla de papel y frótela con un removedor de esmalte de uñas utilizando una esponja hasta que la mancha se disuelva. Lave la prenda.
Bebidas alcohólicas	Frote inmediatamente con agua fría o sumerja la parte manchada durante 30 minutos en agua fría. Coloque detergente sobre cualquier rastro de la mancha mientras la prenda esté mojada. Si no representa peligro para la tela, lave la prenda con agua caliente y use blanqueador de cloro.
Sangre	Trate este tipo de mancha inmediatamente. Sumerja la prenda durante 30 minutos o más en agua fría. Frote la prenda con detergente. Si la mancha persiste, coloque un poco de amoníaco para uso doméstico sobre la mancha y frote nuevamente con detergente. Si no representa peligro para la tela, lave la prenda con agua caliente y use blanqueador de cloro si quedan rastros de la mancha.
Cera de velas	Frote la mancha con hielo y desprenda el exceso de cera. Coloque la mancha entre toallas de papel y planche la prenda con la plancha tibia. Luego coloque el lado de la mancha hacia la toalla de papel y frote con un solvente para lavado al seco (consulte la ADVERTENCIA que aparece en la página 36). Deje secar y lave la prenda. Si aún quedan rastros de color, lave con uno de los removedores de color existentes en el mercado (Rit, Putnam, etc.) o, si no representa peligro para la tela, lave la prenda con agua caliente y aplique blanqueador de cloro.
Salsa de tomate y productos elaborados con tomate	Quite el exceso. Sumerja la prenda en agua fría durante 30 minutos. Frote detergente sobre la mancha y, si no representa peligro para la tela, lave la prenda con agua caliente y use blanqueador de cloro.
Goma de mascar	Frote la mancha con hielo y arranque el exceso de goma. Coloque el lado de la mancha hacia la toalla de papel y frote con un solvente para lavado al seco utilizando una esponja.
Cacao o chocolate	Sumerja la prenda en agua fría. Frote la mancha con detergente. Enjuague la prenda. Si la mancha grasosa persiste, coloque el lado de la mancha hacia la toalla de papel y frote con un solvente para lavado al seco utilizando una esponja. Si después de esto aún persiste la mancha, lave la prenda con agua caliente y use blanqueador de cloro si no representa peligro para la tela.
Café, té	Sumerja la prenda en agua fría. Frote la mancha con detergente. Enjuague la prenda. Si la mancha persiste, lave la prenda con agua caliente y use blanqueador de cloro (si no representa peligro para la tela).
Cretones	Aplique el mismo procedimiento que utilizó para las manchas de cera de velas o lave la prenda con agua caliente (si no representa peligro para la tela), usando jabón (no detergente) y 1 ó 2 tasas de bicarbonato de sodio. Si la mancha persiste, quizá deba utilizar los servicios de tintorería.
Desodorantes y antitranspirantes	Algunos de estos productos contienen sustancias que pueden cambiar el color de algunos tintes. En ciertos casos, puede restaurarse el color si se frota el área con amoníaco utilizando una esponja y luego se enjuaga la prenda. Para eliminar una mancha, use vinagre blanco. Frote y enjuague. Si la mancha persiste, frote la mancha con detergente y lave la prenda con agua caliente y blanqueador de cloro (si no representa peligro para la tela).
Tintes	Utilice uno de los removedores de tintes existentes en el mercado (por ejemplo, Rit o Putnam) o, si no representa peligro para la tela, use blanqueador de cloro.

Uso y cuidado

Mancha	Tratamiento
Huevos	Si la mancha se secó, quite el exceso y sumerja la prenda en agua fría. Frote la mancha húmeda con detergente y, si no representa peligro para la tela, lave la prenda con agua caliente y use blanqueador de cloro.
Suavizador de ropa	Humedezca la mancha y frote con jabón en barra. Lave como acostumbra hacerlo.
Jugos de frutas	Sumerja la prenda en agua fría. Lave con agua caliente y blanqueador de cloro (si no representa peligro para la tela).
Grasa y aceites	Coloque el lado de la mancha hacia la toalla de papel y frótela con un líquido para lavar al seco utilizando una esponja (consulte la ADVERTENCIA que aparece en la página 36). Humedezca la mancha con agua y frote con jabón en barra o detergente. Lave la prenda con agua caliente (si no representa ningún riesgo para la tela).
Tinta	Aplique una cantidad generosa de laca para el cabello o coloque la prenda con el lado de la mancha hacia la toalla de papel y utilizando una esponja frote con un líquido para lavar o con alcohol (consulte la ADVERTENCIA que aparece en la página 36). Enjuague. Si quedan restos de la mancha, frote con detergente la mancha humedecida y lave. Algunas manchas de tintas no pueden eliminarse.
Yodo	Voltee la prenda al revés y enjuague la mancha con agua fría. A continuación sumerja la prenda en uno de los removedores de color disponibles en el mercado (Rit, Putman, etc.) o frote con una pasta de agua y almidón. Deje reposar por 15 - 30 minutos y seguidamente lave.
Pintura de labios	Coloque la mancha sobre una toalla de papel y frote con un líquido para lavar utilizando una esponja (consulte la ADVERTENCIA que aparece en la página 36). Enjuague. Frote la mancha húmeda con jabón en barra y seguidamente lave la prenda.
Moho	Trate este tipo de manchas rápidamente. El moho daña la ropa y algunas veces no puede eliminarse. Lave la prenda con blanqueador de cloro. En el caso de prendas que no puedan lavarse con blanqueador de cloro, sumerja la ropa en un blanqueador para todo tipo de tela y luego lávela.
Leche y productos lácteos	Sumerja la prenda en agua fría. Lave con agua caliente y blanqueador de cloro (si no representa peligro para la tela). Frote con un líquido para lavar utilizando una esponja (consulte la ADVERTENCIA que aparece en la página 36) si aún se ve la mancha. Lave de nuevo.
Otro tipo de manchas: maquillaje para los ojos y la cara, alquitrán, salsa, marcador con punta de fieltro, brea, tinta de cinta de máquina de escribir	Coloque el lado de la mancha hacia la toalla de papel y frote con un líquido para lavar al seco utilizando una esponja (consulte la ADVERTENCIA que aparece en la página 36). Aplique un limpiador al seco (una parte de agua mineral por ocho partes de solvente para lavar al seco). Utilice una cuchara para aflojar la mancha. Mantenga la mancha húmeda con el limpiador al seco y seque cada cierto tiempo con una toalla. Continúe hasta eliminar la mancha. Deje que seque completamente, enjuague con agua tibia y lave como acostumbra.
Lodo	Retire el exceso y sumerja la prenda durante 15 minutos en una solución de un cuarto de agua tibia, media cucharadita de lavaplatos líquido y una cucharada de vinagre blanco. Enjuague y lave con agua caliente o tibia con un producto que contenga enzimas.
Mostaza	Frote la mancha húmeda con jabón en barra. Lave con agua caliente y blanqueador de cloro (si no representa peligro para la tela).
Esmalte de uñas	Coloque la prenda de cara a la toalla de papel y frote la mancha con removedor de esmalte de uñas (no aceitoso) hasta que desaparezca la mancha. Lave la prenda. No utilice removedor de uñas en telas de acetato o arnel.

Mancha	Tratamiento
Pintura	Pinturas de agua: enjuague la prenda con agua fría si la mancha está fresca. A continuación lave la prenda. La mancha de pintura seca no se quita. Pintura de aceite: aplique un tratamiento previo con un solvente recomendado en la lata de pintura. Si no tiene, utilice esencias minerales y enjuague. Aplique un tratamiento antes del lavado con un quitamanchas o detergente, enjuague y lave.
Transpiración	Frote la mancha con detergente después de humedecer la tela. Lave con agua caliente y blanqueador de cloro (si no representa peligro para la tela). Si la prenda se decolora, puede tratar de restituir el color aplicando amoníaco a las manchas frescas, y vinagre a las manchas con mayor tiempo.
Óxido	Aplique cualquier removedor de óxido que exista en el mercado (Whink, Rit, RoVer, etc.). Siga las instrucciones del fabricante. Lave como acostumbra.
Ropa chamuscada	Lave con agua caliente y blanqueador de cloro (si no representa peligro para la tela). Las telas pueden dañarse si se chamuscan. Si esto sucede, es posible que no pueda eliminar las marcas.
Crema para el calzado	Frote la mancha con detergente. Lave con agua caliente y blanqueador de cloro (si no representa peligro para la tela).
Gaseosas	Enjuague la mancha con agua fría inmediatamente. Lave con agua tibia y blanqueador de cloro (si no representa peligro para la tela).
Tabaco	Humedezca la mancha y frótela con jabón en barra. Enjuague. Si es necesario, sumerja la prenda en una solución de blanqueador para todo tipo de tela. Si la mancha persiste, lave con blanqueador de cloro (si no representa peligro para la tela).
Orina	Enjuague con agua fría. Sumerja la prenda en un producto para el remojo a base de enzimas. Lave con agua caliente y blanqueador de cloro (si no representa peligro para la tela). Si la tela cambia de color, quizá pueda restituir el color frotando el área con amoníaco.
Vómito	Sumerja la prenda en una solución de un cuarto de agua tibia, media cucharadita de lavaplatos líquido y una cucharada de amoníaco (si no representa peligro para la tela). Sumerja durante 15 minutos. Utilice una esponja para aflojar la mancha. Seque con una toalla. Lave con agua caliente (si no representa peligro para la tela) con un producto que contenga enzimas.

Mantenimiento

Mantenimiento para el usuario

Lubricación

Todas las piezas móviles están selladas con un suministro permanente de lubricante o equipadas con rodamientos que no necesitan aceite. No es necesario aplicarles lubricación adicional.

Cuidados en climas fríos

Si la lavadora se entrega en un día extremadamente frío (temperatura por debajo del nivel de congelamiento) o se coloca en un área o salón sin calefacción durante los meses fríos, no trate de poner a funcionar la lavadora antes de que se caliente.

Vacaciones y falta de uso durante un período prolongado

IMPORTANTE: Para evitar posibles daños a la propiedad por inundaciones, cierre el grifo de suministro de agua de la lavadora cada vez que vaya a dejar de usarla por un tiempo prolongado.

Cuidado de la lavadora

Utilice únicamente paños húmedos o con jabón para limpiar el panel de control. Algunos productos de prelavado en aerosol pueden dañar el acabado del panel de control o el interior de la tapa.

Limpie el gabinete de la lavadora según sea necesario. Si se ha derramado detergente, cloro u otros productos para lavar sobre el gabinete, límpielo de inmediato. Algunos productos causan un daño permanente si caen en el gabinete de la lavadora.

No utilice esponjas para restregar ni limpiadores abrasivos.

No recueste objetos rugosos ni punzantes a la lavadora, ya que podrían dañar el acabado de la misma.

La tina y laventana de la lavadora no requieren un cuidado especial, aunque sí debe enjuagarse o limpiarse después de lavar una carga poco usual. La parte exterior de la ventana puede limpiarse con un limpiador de ventanas de uso doméstico.

Reinstalación del material de embarque

Desmonte el panel de acceso frontal sacando los dos tornillos.

Coloque los manguitos de amortiguador sobre los cuatro amortiguadores. Consulte la *Figura 5*.

Inserte el lado en forma de gancho del tirante sujetador de embarque dentro de la ranura del montaje del motor. Asegure con pernos y arandelas. Consulte la *Figura 5*.

Reinstale el panel de acceso frontal.

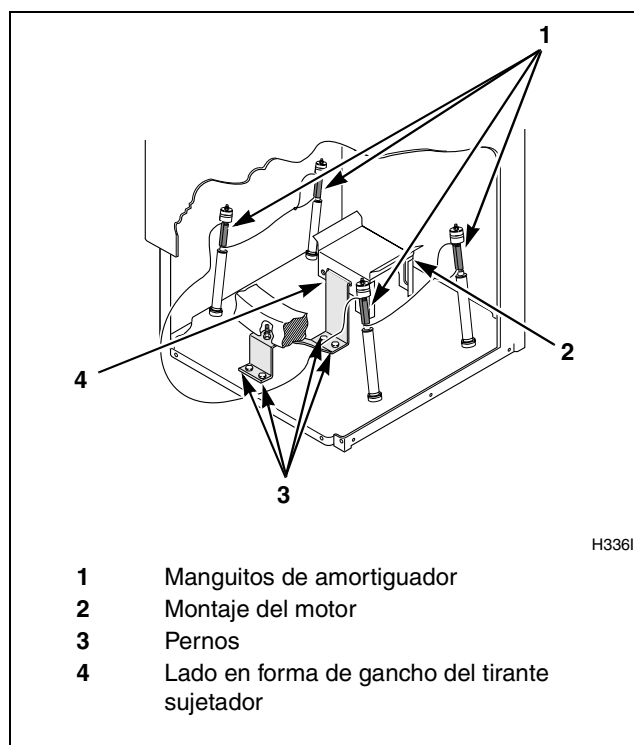


Figura 5

Para consultar los procedimientos adecuados al momento de desplazar la unidad, remítase a la sección INSTRUCCIONES DE INSTALACIÓN.

Mantenimiento

Antes de llamar al centro de servicio

Podría ahorrar tiempo y dinero verificando lo siguiente:

Si su lavadora:

No se llena	No arranca	No funciona durante el ciclo de agitado	No funciona durante el ciclo de centrifugado	No funciona durante el ciclo de desagüe	Posible causa – Siga este procedimiento para solucionar el problema
	•				Asegúrese de que el cable de suministro de energía esté debidamente enchufado en el tomacorriente.
•	•	•	•		Cierre firmemente la puerta de carga.
•	•	•	•		Revise la caja de fusibles o cortacircuitos de la casa.
•					Abra los grifos del agua fría y agua caliente.
	•				Compruebe que el interruptor del selector de ciclo no se encuentre en la posición OFF (Apagado).
•					Limpie las rejillas de la válvula de mezcla de agua.
		•	•		¿La definición de los controles es la correcta?
		•	•		La correa de transmisión está rota. Llame al departamento de servicio.
			•	•	El colector de objetos extraños está obstruido. Limpie el colector de objetos extraños.

Si la unidad necesita servicio

Si la unidad necesita servicio, comuníquese con el centro de servicio de fábrica autorizado más cercano.

Si no puede encontrar un centro de servicios autorizado o no quedó satisfecho con el servicio realizado por ese centro, póngase en contacto con:

Alliance Laundry Systems
Shepard Street
P.O. Box 990
Ripon, WI 54971-0990
U.S.A.
Teléfono: (920) 748-3950

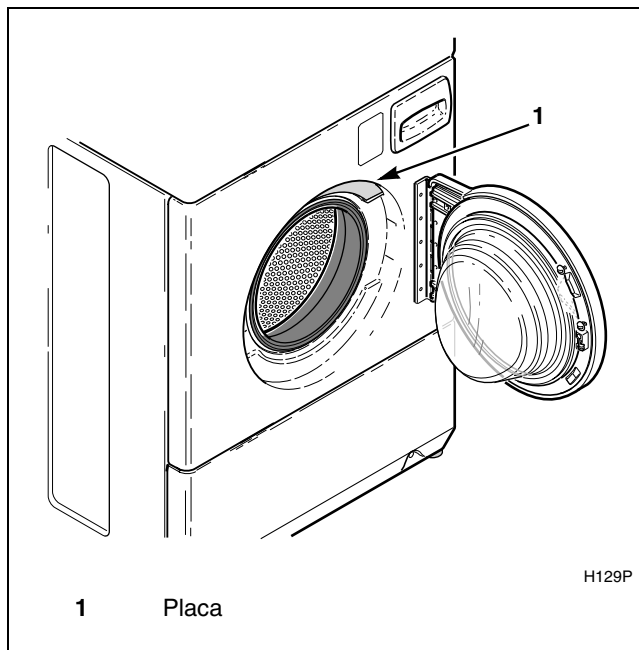


Figura 6

Cuando llame o escriba por un asunto relacionado con su unidad, **POR FAVOR COLOQUE EL MODELO Y EL NÚMERO DE SERIE DE LA UNIDAD.** El número de serie y el modelo de su unidad se encuentran en la placa (su localización está indicada en la *Figura 6*).

Envíe también una copia de la factura de compra y los recibos por servicios suministrado que conserve.

	ADVERTENCIA
<p>Para reducir el riesgo de lesiones graves o incluso letales, NO repare o sustituya pieza alguna de la unidad ni intente ninguna reparación a menos que se recomiende específicamente en las instrucciones de mantenimiento para el usuario o en las instrucciones de reparación para el usuario que pueda entender y se sienta capacitado para seguir.</p>	
<small>W329S</small>	

Mantenimiento

Información de referencia

Alliance Laundry Systems
Shepard Street
P.O. Box 990
Ripon, WI 54971-0990
U.S.A.
Teléfono: (920) 748-3950

Fecha de compra _____

Número de modelo _____ Número de serie _____

Nombre del distribuidor _____

Dirección del distribuidor _____ Teléfono _____

Agencia de servicio _____

Dirección de la agencia de servicio _____ Teléfono _____

NOTA: Registre la información anterior y guarde su recibo de compra. Los números de modelo y de serie aparecen en la placa.