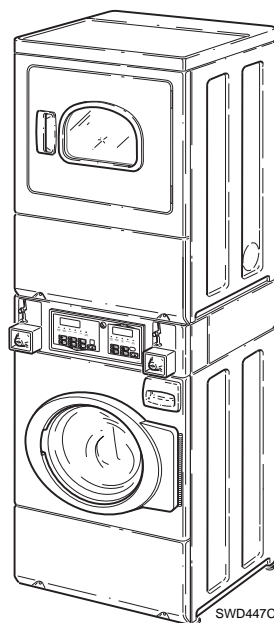


Stacked Washer and Dryer

Metered
Electric and Gas Models



Para bajar una copia de estas instrucciones en español, visite www.comlaundry.com.

Keep These Instructions for Future Reference.

(If this machine changes ownership, this manual must accompany machine.)



www.comlaundry.com

Part No. 802702R5
August 2017



WARNING

FOR YOUR SAFETY, the information in this manual must be followed to minimize the risk of fire or explosion or to prevent property damage, personal injury or death.

W033

- Do not store or use gasoline or other flammable vapors and liquids in the vicinity of this or any other appliance.
- **WHAT TO DO IF YOU SMELL GAS:**
 - Do not try to light any appliance.
 - Do not touch any electrical switch; do not use any phone in your building.
 - Clear the room, building or area of all occupants.
 - Immediately call your gas supplier from a neighbor's phone. Follow the gas supplier's instructions.
 - If you cannot reach your gas supplier, call the fire department.
- Installation and service must be performed by a qualified installer, service agency or the gas supplier.

W052

IMPORTANT: Purchaser must consult the local gas supplier for suggested instructions to be followed if the dryer user smells gas. The gas utility instructions plus the **SAFETY** and **WARNING** note directly above must be posted in a prominent location near the dryer for customer use.



WARNING

- Installation of unit must be performed by a qualified installer.
- Install clothes dryer according to manufacturer's instructions and local codes.
- **DO NOT** install a clothes dryer with flexible plastic venting materials. If flexible metal (foil type) duct is installed, it must be of a specific type identified by the appliance manufacturer as suitable for use with clothes dryers. Refer to section on connecting exhaust system. Flexible venting materials are known to collapse, be easily crushed, and trap lint. These conditions will obstruct clothes dryer airflow and increase the risk of fire.

W729R1

FOR YOUR SAFETY

Do not store or use gasoline or other flammable vapors and liquids in the vicinity of this or any other appliance.

W053

The following information applies to the state of Massachusetts, USA.

- This appliance can only be installed by a Massachusetts licensed plumber or gas fitter.
- This appliance must be installed with a 36 inch (91 cm) long flexible gas connector.
- A "T-Handle" type gas shut-off valve must be installed in the gas supply line to this appliance.
- This appliance must not be installed in a bedroom or bathroom.

Table of Contents

Safety Information	4
Explanation of Safety Messages.....	4
Important Safety Instructions	4
Installation	7
Before You Start.....	9
Supplies.....	9
Installing the Unit.....	10
Step 1: Position Unit Near Installation Area.....	10
Step 2: Connect Fill Hoses.....	10
Step 3: (Non-Gravity Drain Models Only) Connect Drain Hose to Drain Receptacle.....	12
Step 4: (Gravity Drain Models Only) Connect Drain Outlet to Drain System.....	12
Step 5: (Gas Dryer Only) Connect Gas Supply Pipe.....	13
Step 6: (Electric Dryer Only) Connect Electrical Plug.....	14
Step 7: Connect Dryer Exhaust System.....	20
Step 8: Position and Level the Unit.....	25
Step 9: (Washer Only) Remove the Shock Sleeves and Shipping Brace.....	27
Step 10: Wipe Out Inside of Washer Drum and Dryer Drum.....	27
Step 11: Plug In the Washer and Dryer.....	28
Step 12: Recheck steps 1-11.....	30
Step 13: Check Heat Source.....	30
Operation	32
Operation Instructions for MDC Washers.....	32
Step 1: Load Laundry.....	32
Step 2: Close Loading Door.....	32
Step 3: Add Laundry Supplies.....	33
Step 4: Determine Proper Controls for Washer.....	33
Step 5: Set Fabric Selector and Wash Temperature (Cycles Vary by Model).....	33
Step 6: Insert Coin(s) or Card.....	34
Step 7: Start Washer.....	34
Indicator Lights.....	34
Operation Instructions for NetMaster Washers.....	35
Step 1: Load Laundry.....	35
Step 2: Close Loading Door.....	35
Step 3: Add Laundry Supplies.....	35
Step 4: Determine Proper Controls for Washer.....	36
Step 5: Set Fabric Selector.....	36
Step 6: Set Wash Temperature.....	36
Step 7: Insert Coin(s) or Card.....	36
Step 8: Start Washer.....	37
Indicator Lights.....	37
Operation Instructions for MDC Dryers.....	38
Step 1: Clean Lint Filter.....	38
Step 2: Load Laundry.....	38
Step 3: Close Loading Door.....	38

© Copyright 2017, Alliance Laundry Systems LLC


All rights reserved. No part of the contents of this book may be reproduced or transmitted in any form or by any means without the expressed written consent of the publisher.


Step 4: Determine Proper Controls for Dryer	39
Step 5: Set Fabric Selector	39
Step 6: Insert Coin(s) or Card	39
Step 7: Start Dryer	40
Indicator Lights	40
Operation Instructions for NetMaster Dryers	41
Step 1: Clean Lint Filter	41
Step 2: Load Laundry	41
Step 3: Close Loading Door	41
Step 4: Determine Proper Controls for Dryer	42
Step 5: Set Fabric Selector	42
Step 6: Insert Coin(s) or Card	42
Step 7: Start Dryer	43
Indicator Lights	43
Maintenance	44
User-Maintenance Instructions	44
Lubrication	44
Cold Weather Care	44
Vacations and Extended Non-Use	44
Care of Your Washer	44
Care of Your Dryer	45
Reinstallation of Shipping Materials	46
Motor Overload Protector	46
For Energy Conservation	46
Troubleshooting	47
Contact Information	49
Installer Checklist	Back Cover


Safety Information

Explanation of Safety Messages

Throughout this manual and on machine decals, you will find precautionary statements (“DANGER,” “WARNING,” and “CAUTION”) followed by specific instructions. These precautions are intended for the personal safety of the operator, user, servicer, and those maintaining the machine.

	DANGER
Indicates an imminently hazardous situation that, if not avoided, will cause severe personal injury or death.	

	WARNING
Indicates a hazardous situation that, if not avoided, could cause severe personal injury or death.	

	CAUTION
Indicates a hazardous situation that, if not avoided, may cause minor or moderate personal injury or property damage.	


Additional precautionary statements (“IMPORTANT” and “NOTE”) are followed by specific instructions.

IMPORTANT: The word “IMPORTANT” is used to inform the reader of specific procedures where minor machine damage will occur if the procedure is not followed.

NOTE: The word “NOTE” is used to communicate installation, operation, maintenance or servicing information that is important but not hazard related.

Important Safety Instructions

Save These Instructions

	WARNING
To reduce the risk of fire, electric shock, or injury to persons when using your stacked washer and dryer, follow these basic precautions.	
<small>W287</small>	

1. Read all instructions before using the unit.
2. Refer to the **GROUNDING INSTRUCTIONS** in the **INSTALLATION** manual for the proper grounding of the unit.
3. Do not wash or dry articles that have been previously cleaned in, washed in, soaked in, or spotted with gasoline, dry-cleaning solvents, or other flammable or explosive substances as they give off vapors that could ignite or explode.
4. Under certain conditions, hydrogen gas may be produced in a hot water system that has not been used for two weeks or more. **HYDROGEN GAS IS EXPLOSIVE.** If the hot water system has not been used for such a period, before using a washing machine or combination washer-dryer, turn on all hot water faucets and let the water flow from each for several minutes. This will release any accumulated hydrogen gas. The gas is flammable, do not smoke or use an open flame during this time.
5. Do not allow children to play on or in the unit. Close supervision of children is necessary when the unit is used near children. This is a safety rule for all appliances.
6. Before the unit is removed from service or discarded, remove the doors to the washing and drying compartments.

7. Do not reach into the washer or dryer if the cylinders are revolving.
8. Do not install or store the unit where it will be exposed to water and/or weather.
9. Do not tamper with the controls.
10. Do not repair or replace any part of the unit, or attempt any servicing unless specifically recommended in the User-Maintenance instructions or in published user-repair instructions that you understand and have the skills to carry out.
11. Do not add gasoline, dry-cleaning solvents, or other flammable or explosive substances to the wash water. These substances give off vapors that could ignite or explode.
12. Do not use fabric softeners or products to eliminate static unless recommended by the manufacturer of the fabric softener or product.
13. To reduce the risk of an electric shock or fire, DO NOT use an adapter to connect the unit to the electrical power source.
14. To reduce the risk of fire, DO NOT DRY plastics or articles containing foam rubber or similarly textured rubberlike materials.
15. ALWAYS clean the lint filter after every load. A layer of lint in the filter reduces drying efficiency and prolongs drying time.
16. Keep area around the exhaust opening and adjacent surrounding area free from the accumulation of lint, dust and dirt.
17. The interior of the dryer and the exhaust duct should be cleaned periodically by qualified service personnel.
18. If not installed, operated and maintained in accordance with the manufacturer's instructions or if there is damage to or mishandling of this product's components, use of this product could expose you to substances in the fuel or from fuel combustion which can cause death or serious illness and which are known to the State of California to cause cancer, birth defects or other reproductive harm.
19. Washer and dryer will not operate with the loading door open. DO NOT bypass the door safety switches by permitting the washer or dryer to operate with the doors open. The washer and dryer will stop tumbling when the doors are opened. Do not use the washer or dryer if they do not stop tumbling when the doors are opened or start tumbling without pressing the START mechanisms. Remove the unit from use and call the service person.
20. Do not put articles soiled with vegetable or cooking oil in the washer or dryer. Due to the oil, the fabric may catch on fire by itself.
21. To reduce the risk of fire, DO NOT put clothes which have traces of any flammable substances such as machine oil, flammable chemicals, thinner, etc., or anything containing wax or chemicals such as in mops and cleaning cloths, or anything dry-cleaned at home with a dry-cleaning solvent in the dryer.
22. Use your washer only for its intended purpose, washing clothes.
23. Use the dryer only for its intended purpose, drying clothes.
24. Always disconnect the electrical power to the washer and dryer before attempting service to either unit. Disconnect the power cords by grasping the plug, not the cord.
25. If the supply cord is damaged, it must be replaced by a special cord or assembly available from the manufacturer or its service agent.
26. Install this unit according to the **INSTALLATION INSTRUCTIONS**. All connections for electrical power, grounding and gas supply must comply with local codes and be made by licensed personnel when required. Do not do it yourself unless you know how!
27. Keep your unit in good condition. Bumping or dropping the unit can damage safety features. If this occurs, have your unit checked by a qualified service person.

Safety Information

28. Remove laundry immediately after the dryer stops.
29. Always read and follow manufacturer's instructions on packages of laundry and cleaning aids. Heed all warnings or precautions. To reduce the risk of poisoning or chemical burns, keep them out of reach of children at all times (preferably in a locked cabinet).
30. Do not tumble fiberglass curtains and draperies unless the label says it can be done. If they are dried, wipe out the cylinder with a damp cloth to remove particles of fiberglass.
31. Be sure water connections have a shut-off valve and that fill hose connections are tight. CLOSE the shut-off valves at the end of each wash day.
32. ALWAYS follow the fabric care instructions supplied by the garment manufacturer.
33. Never operate the unit with any guards and/or panels removed.
34. DO NOT operate the unit with missing or broken parts.
35. DO NOT bypass any safety devices.
36. Failure to install, maintain, and/or operate this machine according to the manufacturer's instructions may result in conditions which can produce bodily injury and/or property damage.
37. Do not operate washer and dryer if the units have been separated.

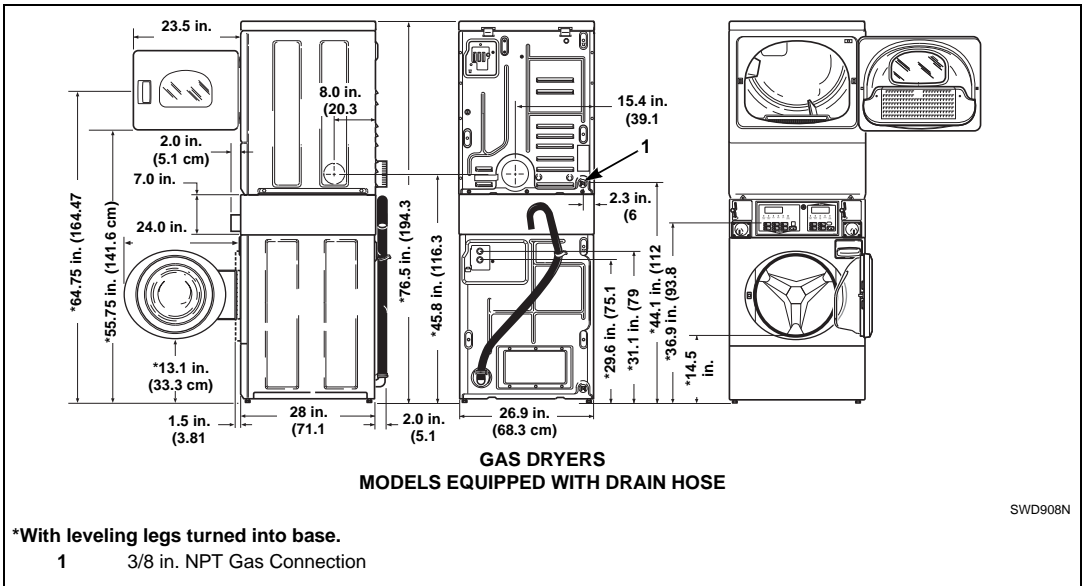
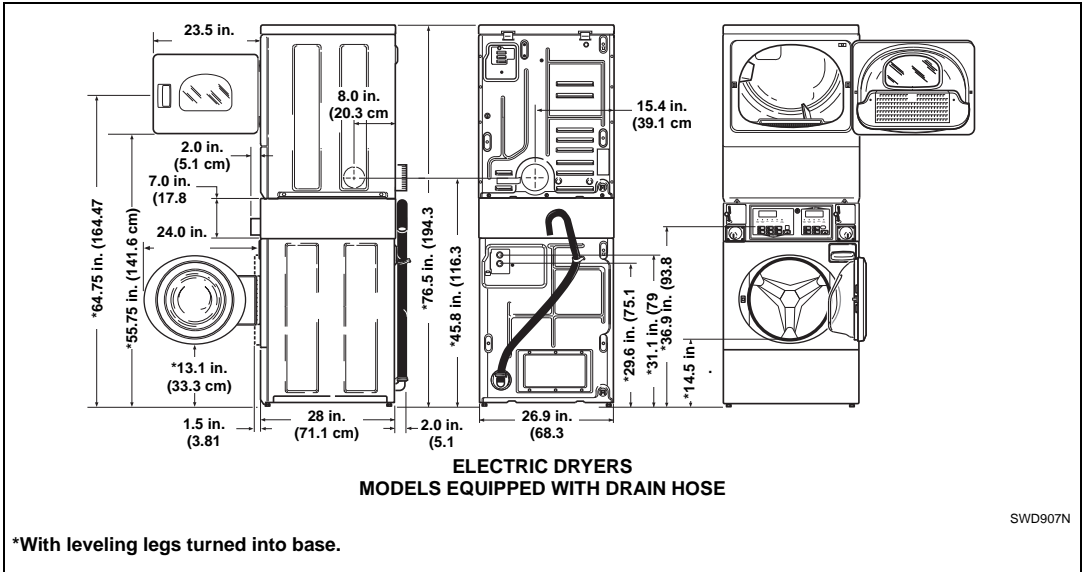
IMPORTANT: Solvent vapors from dry-cleaning machines create acids when drawn through the heater of the drying unit. These acids are corrosive to the dryer as well as to the laundry load being dried. Be sure make-up air is free of solvent vapors.

IMPORTANT: Have your unit installed properly. Don't do it yourself unless you know how!

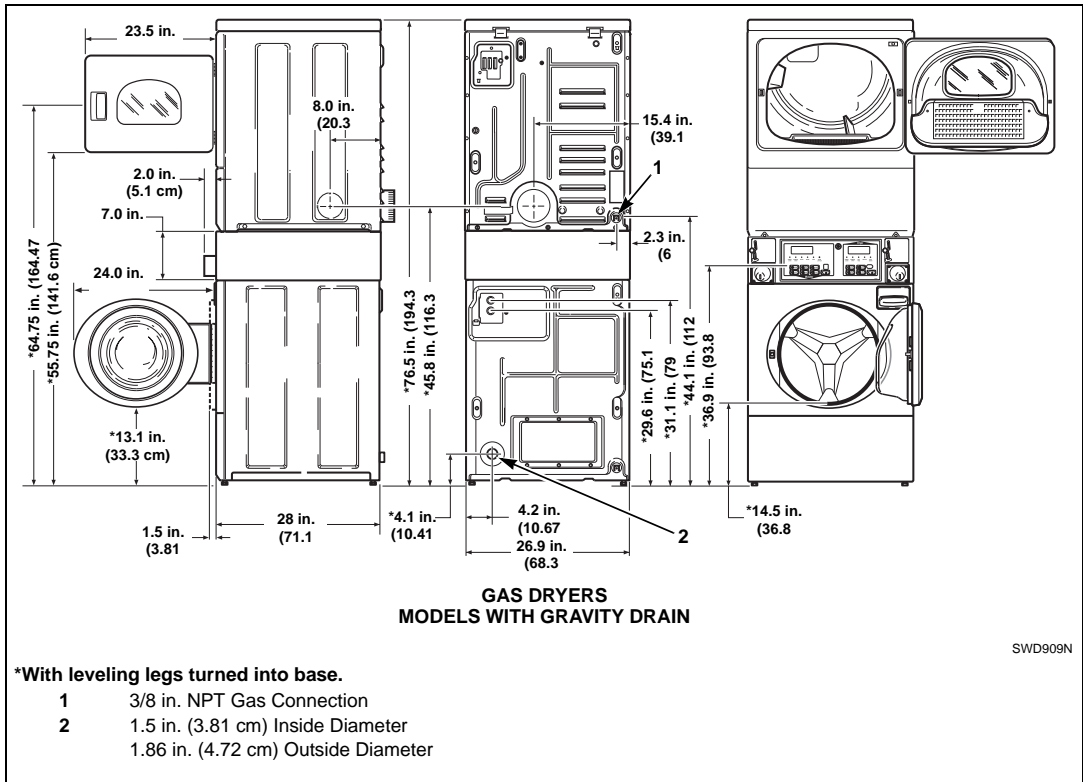
NOTE: The WARNING and IMPORTANT SAFETY INSTRUCTIONS appearing in this manual are not meant to cover all possible conditions and situations that may occur. Common sense, caution and care must be exercised when installing, maintaining, or operating the dryer.

Always contact your dealer, distributor, service agent or the manufacturer about any problems or conditions you do not understand.

Installation



Installation



NOTE: Side and rear exhaust openings are 4 inch (10.2 cm) ducting. Gas models cannot be vented out left side of cabinet because of burner housing.

IMPORTANT: The dryer should have sufficient clearance around it for needed ventilation and for the ease of installation and servicing. For maximum drying performance, we recommend that more clearance be allowed around the dryer than the clearances that are listed throughout this manual.

Before You Start

Supplies

For most installations, the basic supplies you will need are:

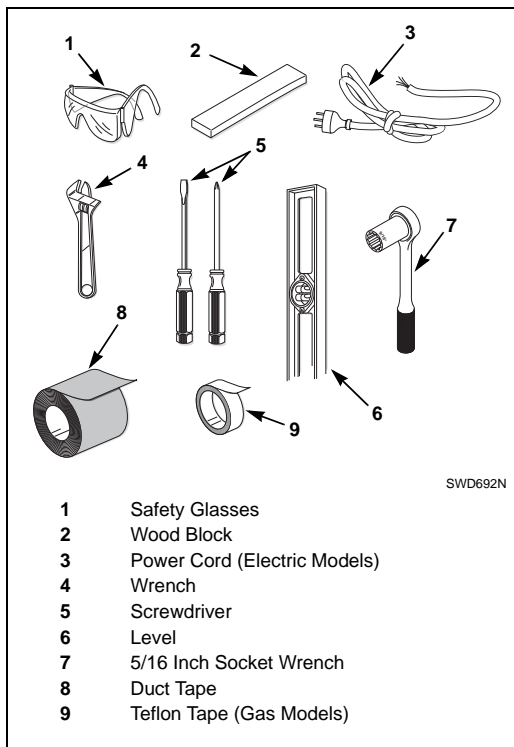


Figure 1

NOTE: An 8 inch (20.32 cm) coin drawer is required for coin operated models.

	WARNING
Any disassembly requiring the use of tools must be performed by a suitably qualified service person.	
<small>W299</small>	

NOTE: If the the unit is delivered on a cold day (below freezing), or is stored in an unheated room or area during the cold months, do not attempt to operate it until the unit has had a chance to warm up.


NOTE: Some moisture in the wash drum is normal. Water is used during testing at the manufacturer.

Installation

Installing the Unit


Step 1: Position Unit Near Installation Area

Move unit so that it is within 4 feet (1.2 meters) of the desired area of installation.

	CAUTION
Washer and dryer are not designed to be operated as separated, side-by-side units.	
<small>W187</small>	

NOTE: For best performance and to minimize vibration or movement, install unit on a solid, sturdy and level floor. Some floors may need to be reinforced, especially on a second floor or over a basement. **DO NOT** install the unit on carpeting, soft tile, pedestal, a platform or other weakly supported structures.

Step 2: Connect Fill Hoses


	WARNING
Under certain conditions, hydrogen gas may be produced in a hot water system that has not been used for two weeks or more. HYDROGEN GAS IS EXPLOSIVE. If the hot water system has not been used for such a period and before using the washer, turn on all hot water faucets and let the water flow from each for several minutes. This will release any accumulated hydrogen gas. The gas is flammable. Do not smoke or use an open flame during this time.	
<small>W029</small>	

Water Supply

Water supply faucets must fit standard 3/4 inch (19.1 mm) female garden hose couplings. **DO NOT USE SLIP-ON OR CLAMP-ON CONNECTIONS.**

Water supply faucets should be readily accessible to permit turning them off when washer is not being used.

Recommended cold water temperature is 60° to 80° Fahrenheit (16° to 27° Celsius). Recommended maximum hot water temperature is 125° Fahrenheit (51° Celsius). Warm water is a mixture of hot and cold water. Warm water temperature is dependent upon water temperature and pressure of both the hot and cold water supply lines.

	WARNING
To prevent personal injury, avoid contact with inlet water temperatures higher than 125° Fahrenheit (51° Celsius) and hot surfaces.	
<small>W748</small>	

Water pressure must be a minimum of 20 to a maximum of 120 pounds per square inch (138 to 827 kPa) static pressure measured at the faucet.

NOTE: Water pressure under 20 pounds per square inch (138 kPa) will cause an extended fill time in the washer and may not properly flush out the detergent dispenser.

Turn on the water faucets and flush the lines for approximately two minutes to remove any foreign material that could clog the screens in the water mixing valve.

NOTE: When installing in newly constructed or renovated buildings, it is very important to flush the lines since build-up may have occurred during construction.

Connecting Hoses

Insert each filter screen into the end of each fill hose that will connect to the water supply faucet. The screen must be facing outward. Refer to *Figure 2*.

Insert each plain rubber washer into the other end of each fill hose that will connect to the water mixing valve at the rear of the washer. Refer to *Figure 2*.

Thread hose couplings onto valve connections finger-tight, then approximately 1/4 turn with pliers.

IMPORTANT: DO NOT cross thread or overtighten couplings. This will cause them to leak.

Turn water on and check for leaks. If leaks are found, retighten the hose couplings. Continue tightening and rechecking until no leaks are found.

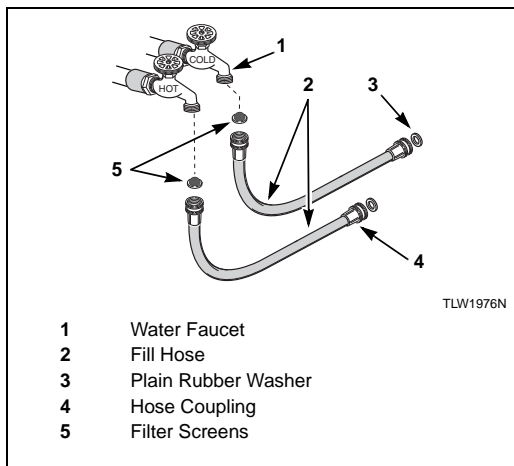


Figure 2

IMPORTANT: Hoses and other natural rubber parts deteriorate after extended use. Hoses may develop cracks, blisters or material wear from the temperature and constant high pressure they are subject to.

All hoses should be checked on a monthly basis for any visible signs of deterioration. Any hose showing the signs of deterioration listed above should be replaced immediately. All hoses should be replaced every five years.

IMPORTANT: Turn off water supply faucets after checkout and demonstration. Turn off water supply whenever there will be an extended period of non-use.

NOTE: Longer fill hoses are available (as optional equipment at extra cost) if the hoses (supplied with the washer) are not long enough for the installation. Order hoses as follows:

- No. 20617 Fill Hose (8 feet) (2.44 m)
- No. 20618 Fill Hose (10 feet) (3.05 m)

Risers

Risers (or air cushions) may have to be installed if the pipes knock or pound when flow of water stops. The risers are more efficient when installed as close as possible to the water supply faucets (refer to *Figure 4*).

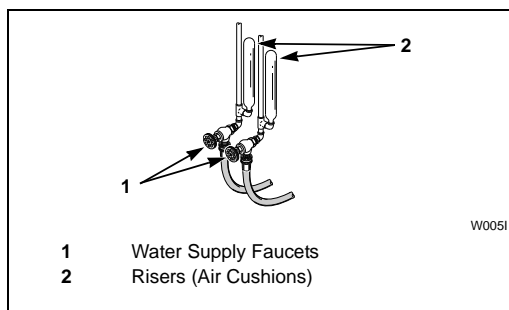


Figure 4

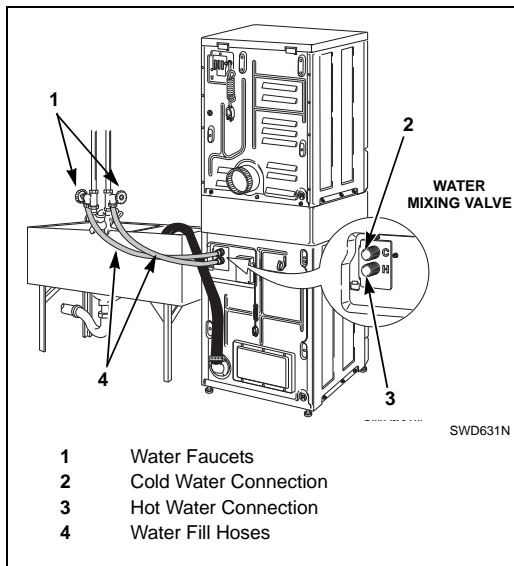


Figure 3

Installation

Step 3: (Non-Gravity Drain Models Only) Connect Drain Hose to Drain Receptacle

Remove the drain hose from its shipping position on the rear of the washer by removing the shipping tape.

IMPORTANT: Drain receptacle must be capable of handling a minimum of 1 3/8 inch (3.5 cm) outside diameter drain hose.

Standpipe Installation

Place the drain hose into the standpipe.

Remove the beaded strap from accessories bag and place around standpipe and drain hose and tighten strap to hold hose to standpipe. Refer to *Figure 5*. This will prevent the drain hose from dislodging from drain receptacle during use.

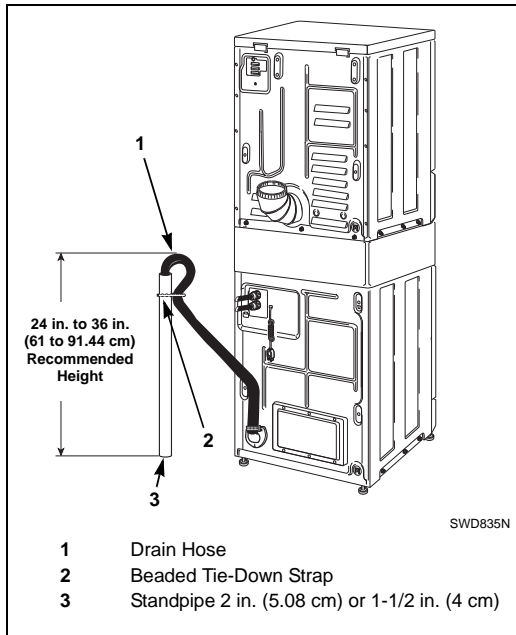


Figure 5

Step 4: (Gravity Drain Models Only) Connect Drain Outlet to Drain System

Remove drain fitting (four inches long) and hose clamp from accessories bag. Insert drain fitting into drain outlet hose. Clamp hose and fitting.

Connect the drain fitting to a vented drain system using a flexible connection (obtain locally). Inside diameter of fitting is 1.53 in. (3.89 cm) and outside diameter is 1.66 in. (4.22 cm). The drain system must be vented to prevent an air lock or siphoning.

IMPORTANT: Increasing the drain hose length, installing elbows, or causing bends will decrease drain flow rates and increase drain times, impairing machine performance.

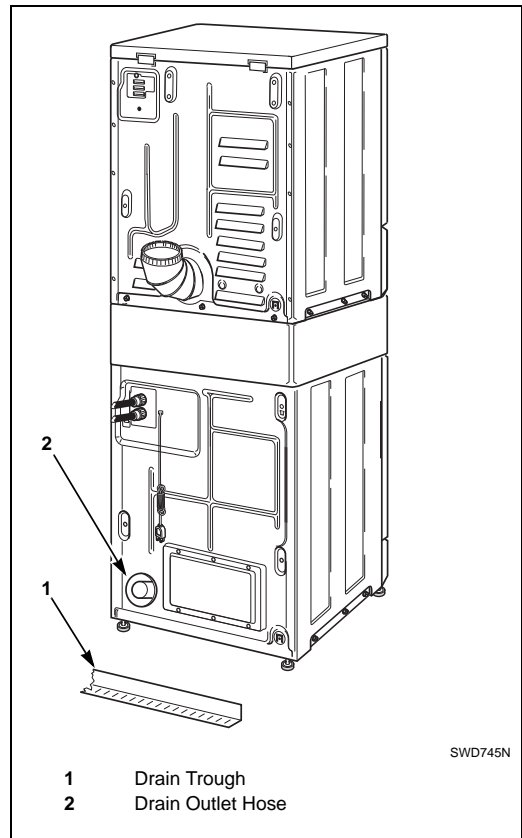



Figure 6

Step 5: (Gas Dryer Only) Connect Gas Supply Pipe

	WARNING
<p>To reduce the risk of gas leaks, fire or explosion:</p> <ul style="list-style-type: none"> • The dryer must be connected to the type of gas as shown on nameplate located in the door recess. • Use a new flexible stainless steel connector. • Use pipe joint compound insoluble in L.P. (Liquefied Petroleum) Gas, or Teflon tape, on all pipe threads. • Purge air and sediment from gas supply line before connecting it to the dryer. Before tightening the connection, purge remaining air from gas line to dryer until odor of gas is detected. This step is required to prevent gas valve contamination. • Do not use an open flame to check for gas leaks. Use a non-corrosive leak detection fluid. • Any disassembly requiring the use of tools must be performed by a suitably qualified service person. 	
W316	

Natural Gas Altitude Adjustments					
Altitude		Orifice Size			Part Number
feet	m	#	inches	mm	
2,000	610	41	0.0960	2.44	D503776
3,000	915	42	0.0935	2.37	D503777
5,500	1,680	43	0.0890	2.26	D503778
7,000	2,135	44	0.0860	2.18	58719
9,000	2,745	45	0.0820	2.08	D503779
10,500	3,200	46	0.0810	2.06	D503780

Table 1

1. Make certain your dryer is equipped for use with the type of gas in your laundry room. Dryer is equipped at the factory for **Natural Gas** with a 3/8 inch NPT gas connection.

NOTE: The gas service to a gas dryer must conform with the local codes and ordinances, or in the absence of local codes and ordinances, with the latest edition of the National Fuel Gas Code ANSI Z223.1/NFPA 54 or the CAN/CSA-B149.1 Natural Gas and Propane Installation Code.

Natural Gas, 1000 Btu/ft³ (37.3 MJ/m³), service must be supplied at minimum 5.0 inch water column pressure to maximum 10.5 inch water column pressure.

For proper operation at altitudes above 2000 feet (610 m) the natural gas valve spud orifice size must be reduced to ensure complete combustion. Refer to *Table 1*.

2. Remove the shipping cap from the gas connection at the rear of the dryer. Make sure you do not damage the pipe threads when removing the cap.
3. Connect to gas supply pipe.

Installation

NOTE: When connecting to a gas line, an equipment shut-off valve must be installed within 6 feet (1.8 m) of the dryer. An 1/8 in. NPT pipe plug must be installed as shown for checking inlet pressure. Refer to Figure 7.

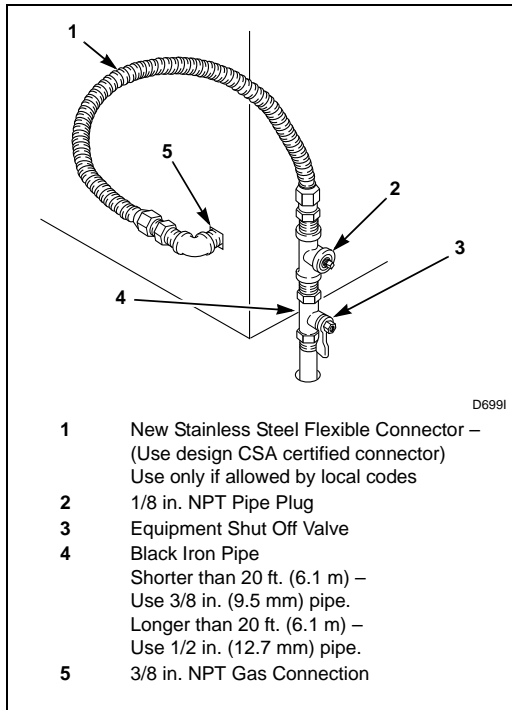


Figure 7

4. Tighten all connections securely. Turn on gas and check all pipe connections (internal & external) for gas leaks with a non-corrosive leak detection fluid.

NOTE: The dryer and its appliance main gas valve must be disconnected from the gas supply piping system during any pressure testing of that system at test pressures in excess of 1/2 psi (3.45 kPa). Refer to Step 9 (Check Heat Source).

L.P. (Liquefied Petroleum) Gas, 2500 Btu/ft³ (93.1 MJ/m³), service must be supplied at 10 ± 1.5 inch water column pressure.

For proper operation at altitudes above 3500 feet (1070 m) the L.P. gas valve spud orifice size must be reduced to ensure complete combustion. Refer to Table 2.

L.P. Altitude Adjustments					Part No.
Altitude		Orifice Size			
feet	m	No.	inches	mm	
3500	1070	54	0.0550	1.40	D503785
7500	2290	55	0.0520	1.32	58755
11000	3355	56	0.0465	1.18	D503786

Table 2

NOTE: DO NOT connect the dryer to L.P. Gas Service without converting the gas valve. Install L.P. Gas Conversion Kit 458P3, available at extra cost.

Step 6: (Electric Dryer Only) Connect Electrical Plug


Dryer requires 120/240 Volt or 120/208 Volt, 60 Hertz, 3 or 4 wire electrical supply. Refer to serial plate for specific electrical requirements.

NOTE: The wiring diagram is located inside the control cabinet.

	WARNING
<p>To reduce the risk of fire, electric shock, serious injury or death, all wiring and grounding MUST conform with the latest edition of the National Electrical Code, ANSI/NFPA 70, or the Canadian Electrical Code, CSA C22.1, and such local regulations as might apply. It is the customer's responsibility to have the wiring and fuses installed by a qualified electrician to make sure adequate electrical power is available to the dryer.</p>	
W521	

Grounding Information

This appliance must be grounded. In the event of malfunction or breakdown, grounding will reduce the risk of electric shock by providing a path of least resistance for electric current. The cord-kit must be equipped with a cord having an equipment-grounding conductor and a grounding plug. The plug must be plugged into an appropriate outlet that is properly installed and grounded in accordance with all local codes and ordinances.

	WARNING
<p>Improper connection of the equipment-grounding conductor can result in a risk of electric shock. Check with a qualified electrician or service person if you are in doubt as to whether the dryer is properly grounded.</p>	
W038	

Do not modify the plug provided with the cord-kit - if it will not fit the outlet, have a proper outlet installed by a qualified electrician.

The dryer has its own terminal block that must be connected to a separate branch, 60 Hertz, single phase circuit, AC (alternating current) circuit, **fused at 30 Amperes** (the circuit must be fused on both sides of the line). **Electrical service for the dryer should be of maximum rated voltage (208 or 240 Volt, depending on heating element) listed on the nameplate. Do not connect dryer to 110, 115, or 120 Volt circuit.**

Heating elements are available for field installation in dryers which are to be connected to electrical service of different voltage than that listed on nameplate, such as 208 Volt.

NOTE: Branch circuit wire size requirements to laundry room outlet are shown in Table 3.

Wire Length	Wire
Less than 4.5 m (15 ft.)	Listed No. 10 AWG Copper wire only
Longer than 4.5 m (15 ft.)	Listed No. 8 AWG Copper wire only

Table 3

The power cord connection between wall receptacle and dryer terminal block **IS NOT supplied with dryer**. Type of power cord and gauge of wire must conform to local codes.

Installation

IMPORTANT: Use only a new U.L. listed No. 10 (copper wire only) three or four conductor power supply cord kit rated 240 Volts (minimum) 30 Amperes and labeled as suitable for use in a clothes dryer.

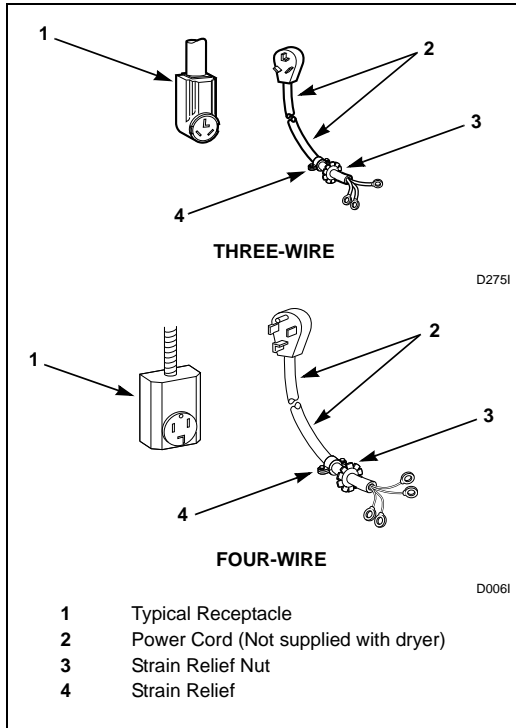


Figure 8

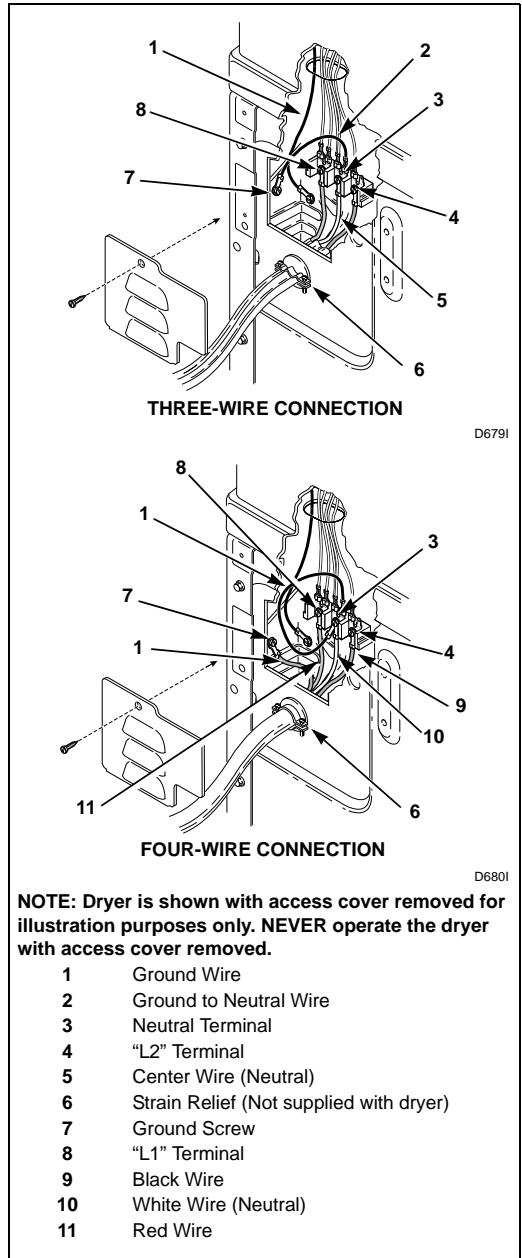


Figure 9

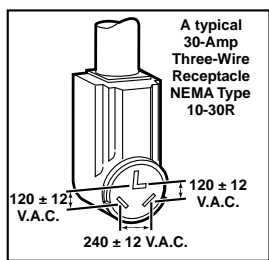
Connecting Power Cord with Three-Wire Plug

NOTE: Four-wire cord is required for new branch-circuit installations, mobile homes or where codes do not permit grounding through neutral.

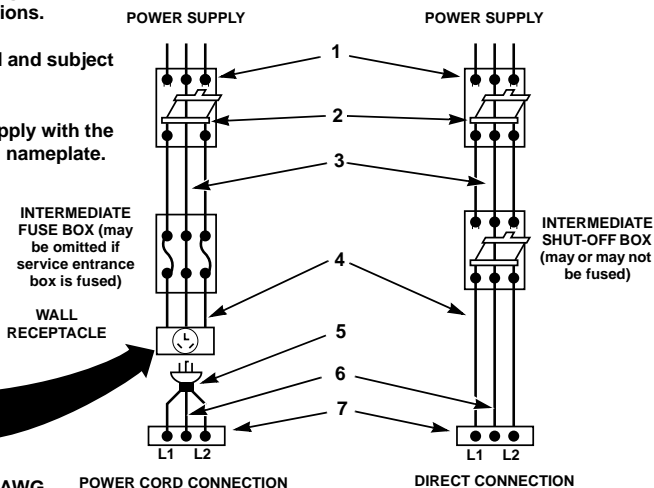
NOTE: The power cord is NOT supplied with the electric dryer. Type of power cord and gauge of wire must conform to local codes and instructions.

The method of wiring the dryer is optional and subject to local code requirements.

NOTE: Connect the dryer to the power supply with the MAXIMUM RATED VOLTAGE listed on the nameplate.



NOTE: Use COPPER WIRE only.
Shorter than 15 ft. (4.5 m) – use 10 AWG
Longer than 15 ft. (4.5 m) – use 8 AWG



- | | |
|--|---|
| <p>1 3 Wire Grounded Neutral 120/240 Volt, 60 Hertz AC 1 Phase Service Entrance Switch Box (Refer to NOTE above)</p> <p>2 30 Ampere Fuses or Circuit Breaker</p> <p>3 Neutral Wire</p> | <p>4 Metallic or Non-Metallic Sheathed Cable (Copper Wire Only)</p> <p>5 Power Cord (Not supplied with dryer)</p> <p>6 Neutral</p> <p>7 Terminal Block in Dryer</p> |
|--|---|

D8161

Figure 10

1. Disconnect power to dryer.
2. Remove access cover from rear of dryer.
3. Use a strain relief and insert end of power cord through power supply hole.

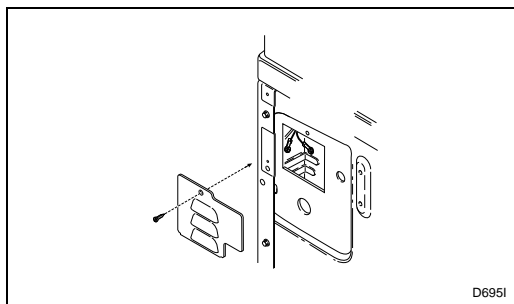


Figure 11

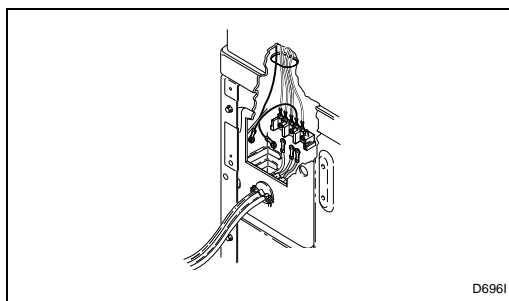


Figure 12

Installation

- Use the three screws from the accessories bag to attach the power cord wires to the terminal block. Refer to *Figure 13*.

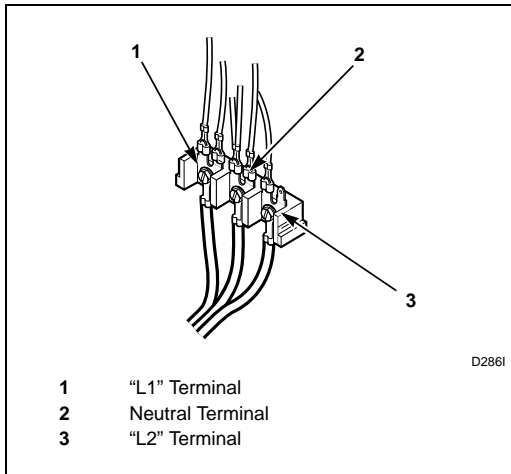


Figure 13

- Tighten all screws firmly.

IMPORTANT: Failure to tighten these screws firmly may result in wire failure at the terminal block.

- Secure the strain relief to the power cord, or wires, where they enter the dryer cabinet.
- Check the continuity of the ground connection before plugging the cord into an outlet. Use an acceptable indicating device connected to the center grounding pin of the plug and the green screw on the back of the cabinet.
- Reinstall access cover and screw.

Connecting Power Cord with Four-Wire Plug

NOTE: Four-wire cord is required for new branch-circuit installations, mobile homes or where codes do not permit grounding through neutral.

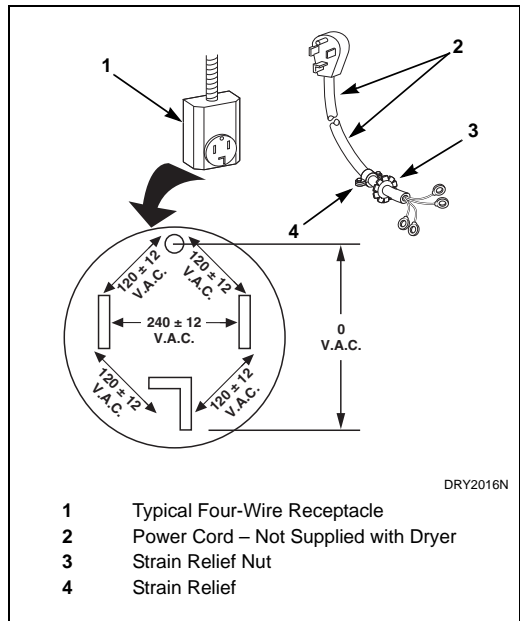


Figure 14

- Disconnect power to dryer.
- Remove access cover from rear of dryer.

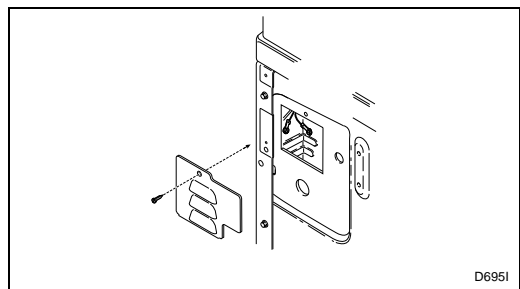


Figure 15

3. Remove ground screw and save for use in Step 5. Remove wire and use in Step 6.

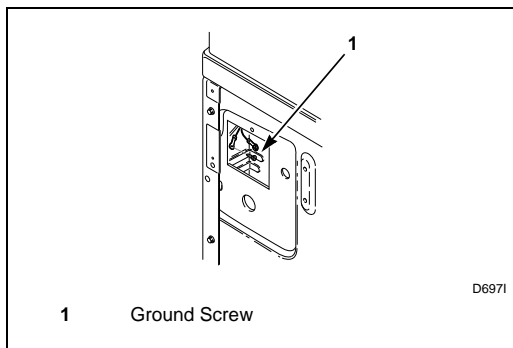


Figure 16

4. Use a strain relief and insert end of power cord through power supply hole.

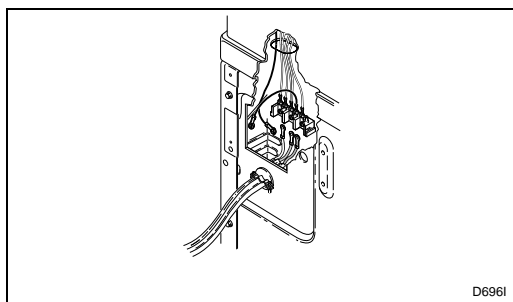


Figure 17

5. Attach power cord ground (green) wire to rear bulkhead using ground screw removed in Step 3.

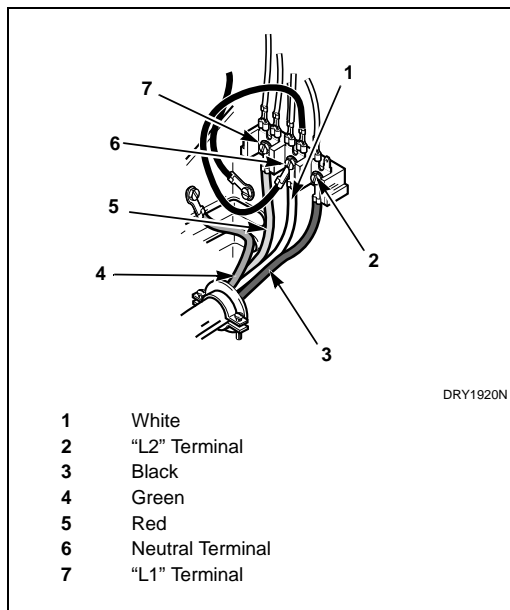


Figure 18

6. Use the three screws from the accessories bag to attach the remaining power cord wires to the terminal block as follows:
 - a. Red wire to "L1" terminal.
 - b. Black wire to "L2" terminal.
 - c. White wire to Neutral terminal.


NOTE: When installing the white wire, loop the free eyelet end of the ground wire (removed in Step 3) and attach along with the white wire to the neutral (center) terminal on the terminal block.


7. Tighten all screws firmly.


IMPORTANT: Failure to tighten these screws firmly may result in wire failure at the terminal block.

8. Secure the strain relief to the power cord, or wires, where they enter the dryer cabinet.
9. Check the continuity of the ground connection before plugging the cord into an outlet. Use an acceptable indicating device connected to the center grounding pin of the plug and the green screw on the back of the cabinet.
10. Reinstall access cover and screw.

Step 7: Connect Dryer Exhaust System

	WARNING
<p>To reduce the risk of fire and combustion gas accumulation the dryer MUST be exhausted to the outdoors.</p> <p style="text-align: right;">W604</p>	
<p>To reduce the risk of fire and the accumulation of combustion gases, DO NOT exhaust dryer air into a window well, gas vent, chimney or enclosed, unventilated area, such as an attic, wall, ceiling, crawl space under a building or concealed space of a building.</p> <p style="text-align: right;">W045</p>	

	WARNING
<p>This gas appliance contains or produces a chemical or chemicals which can cause death or serious illness and which are known to the State of California to cause cancer, birth defects, or other reproductive harm. To reduce the risk from substances in the fuel or from fuel combustion, make sure this appliance is installed, operated, and maintained according to the instructions in this manual.</p> <p style="text-align: right;">W115</p>	
<p>To reduce the risk of fire, DO NOT use plastic or thin foil ducting to exhaust the dryer.</p> <p style="text-align: right;">W354</p>	
<p>To reduce the risk of fire, the exhaust duct and weather hood MUST be fabricated of a material that will not support combustion. Rigid or flexible metal pipe is recommended for a clothes dryer.</p> <p style="text-align: right;">W048</p>	

	WARNING
<p>To reduce the risk of fire due to increased static pressure, we do not recommend installation of in-line secondary lint filters or lint collectors. If secondary systems are mandated, frequently clean the system to assure safe operation.</p> <p style="text-align: right;">W749</p>	

IMPORTANT: Installing in-line filters or lint collectors will cause increased static pressure. Failure to maintain the secondary lint system will decrease dryer efficiency and may void machine warranty.

- **DO NOT** use plastic or thin foil ducting. Rigid metal duct is recommended.

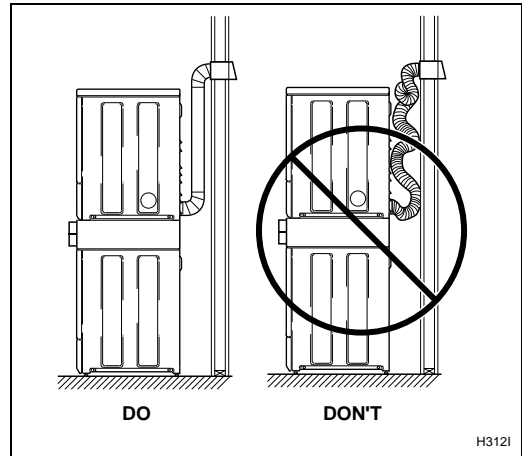


Figure 19

- Locate dryer so exhaust duct is as short as possible.
- Be certain old ducts are cleaned before installing your new dryer.
- Use 4 inch (102 mm) diameter rigid or flexible metal duct.
- The male end of each section of duct must point away from the dryer.
- Use as few elbows as possible.
- Use duct tape or pop-rivets on all duct joints. **DO NOT** use sheet metal screws or fasteners on exhaust pipe joints which extend into the duct and catch lint.
- Ductwork that runs through unheated areas must be insulated to help reduce condensation and lint build-up on pipe walls.
- Install backdraft dampers in multi-dryer installations.
- In mobile home installations, dryer exhaust duct must be secured to mobile home structure.
- Dryer exhaust duct **MUST NOT** terminate under mobile home.

- Dryer exhausts 220 cfm (measured at back of dryer).
- DO NOT install flexible duct in concealed spaces, such as a wall or ceiling.
- Static pressure in exhaust duct should not be greater than .6 inches water column (1.5 cm), measured with manometer placed on exhaust duct 2 feet (61 cm) from dryer (check with dryer running and no load). In multi-dryer installations, all dryers connected to the main collector duct should be operating when pressure is checked.
- Exhausting dryer in hard-to-reach locations can be done by installing 521P3 Flexible Metal Vent Kit (available as optional equipment at extra cost).
- Sufficient make-up air must be supplied to replace the air exhausted by the dryer. The free area of any opening for outside air must be at least 40 in² (260 cm²).
- Energy efficient buildings with low air infiltration rates should be equipped with an air exchanger that can accommodate on demand make-up air needs in the laundry room. These devices can be obtained through your building contractor or building material suppliers.
- Do not draw make-up air from a room containing a gas fired water heater, a dry cleaner or a hair salon.
- **Failure to exhaust dryer properly will void warranty.**

NOTE: Venting materials are not supplied with the dryer (obtain locally).

IMPORTANT: DO NOT block the airflow at the bottom of the dryer’s front panel with laundry, rugs, etc. Blockage will decrease airflow through the dryer, thus reducing the efficiency of the dryer.

Installation

Exhaust Direction

The dryer can be exhausted to the outdoors through the back, left, right or bottom of the dryer. **EXCEPTION: Gas dryers cannot be vented out the left side because of the burner housing.**

Dryer is shipped from factory ready for rear exhaust.

Exhausting the dryer through sides or bottom can be accomplished by installing a Directional Exhaust Kit, 528P3, available as optional equipment at extra cost.

Exhaust System

For best drying results, recommended maximum length of exhaust system is shown in *Table 4*.

To prevent backdraft when dryer is not in operation, outer end of exhaust pipe must have a weather hood with hinged dampers (obtain locally).

NOTE: Weather hood should be installed at least 12 inches (30.5 cm) above the ground. Larger clearances may be necessary for installations where heavy snowfall can occur.

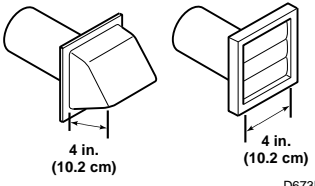
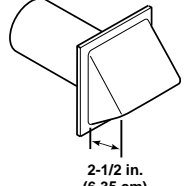
Number of 90° Elbows	Weather Hood Type	
	Recommended	Use Only for Short Run Installations
	 <p>4 in. (10.2 cm)</p> <p>4 in. (10.2 cm)</p> <p>D6731</p>	 <p>2-1/2 in. (6.35 cm)</p> <p>D8021</p>
Maximum length of 4 in. (10.2 cm) diameter rigid metal duct.		
0	65 feet (19.8 m)	55 feet (16.8 m)
1	55 feet (16.8 m)	47 feet (14.3 m)
2	47 feet (14.3 m)	41 feet (12.5 m)
3	36 feet (11.0 m)	30 feet (9.1 m)
4	28 feet (8.5 m)	22 feet (6.7 m)
NOTE: Deduct 6 feet (1.8 m) for each additional elbow.		

Table 4

NOTE: The maximum length of a 4 in. (10.2 cm) diameter flexible metal duct must not exceed 7.87 ft. (2.4 m), as required to meet UL2158, clause 7.3.2A.

Multi-Dryer Installation Exhaust Requirements

Figure 20 shows a typical example of a multiple dryer installation. Note how each dryer has its own exhaust system vented to the central exhaust duct.

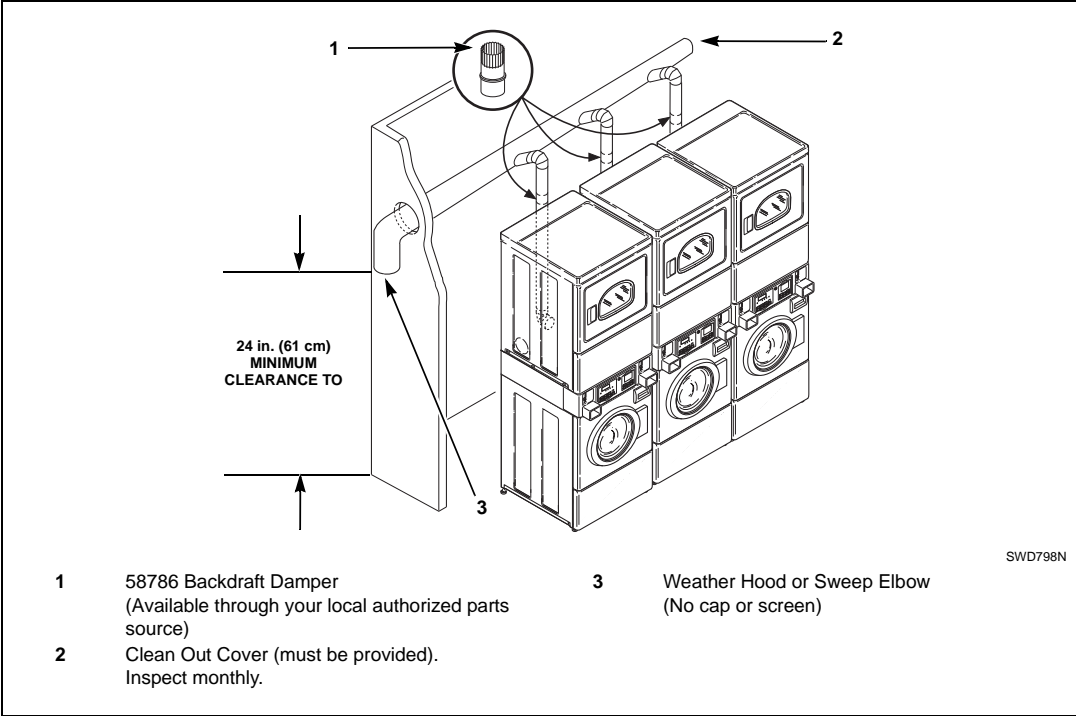


Figure 20

Installation

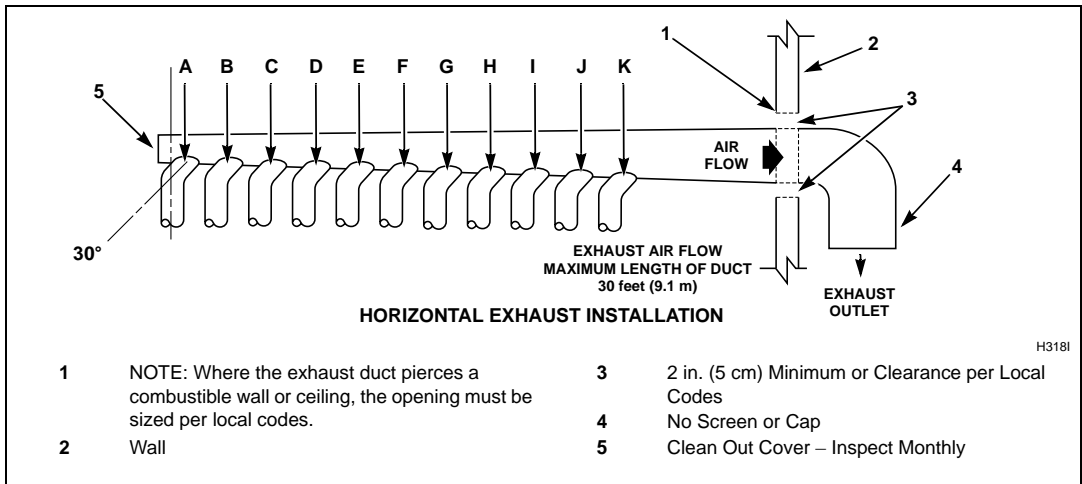


Figure 21

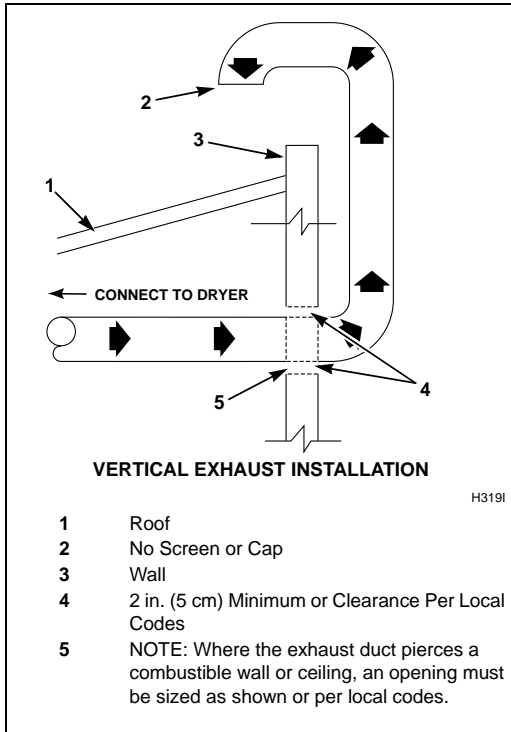


Figure 22

WARNING

To reduce the risk of fire and the accumulation of combustion gases, DO NOT exhaust dryer air into a window well, gas vent, chimney or enclosed, unventilated area, such as an attic, wall, ceiling, crawl space under a building or concealed space of a building.

W045

Duct Station	Minimum Diameter of Collector Duct
A	4 inches (10.2 cm)
B	8 inches (20.3 cm)
C	9 inches (22.9 cm)
D	10 inches (25.4 cm)
E	11 inches (27.9 cm)
F	12 inches (30.5 cm)
G	13 inches (32.6 cm)
H	14 inches (35.6 cm)
I	15 inches (38.1 cm)
J	15 inches (38.1 cm)
K	16 inches (40.6 cm)

A Backdraft Damper, Part No. 58786 (obtain locally), should be installed in a 4 inch (10.2 cm) diameter VERTICAL duct system. This will prevent a backdraft when dryer is not in use, and will keep the exhaust air in balance within the central exhaust system.

Step 8: Position and Level the Unit

Position unit so it has sufficient clearance for installation and servicing. Refer to *Figure 23*.

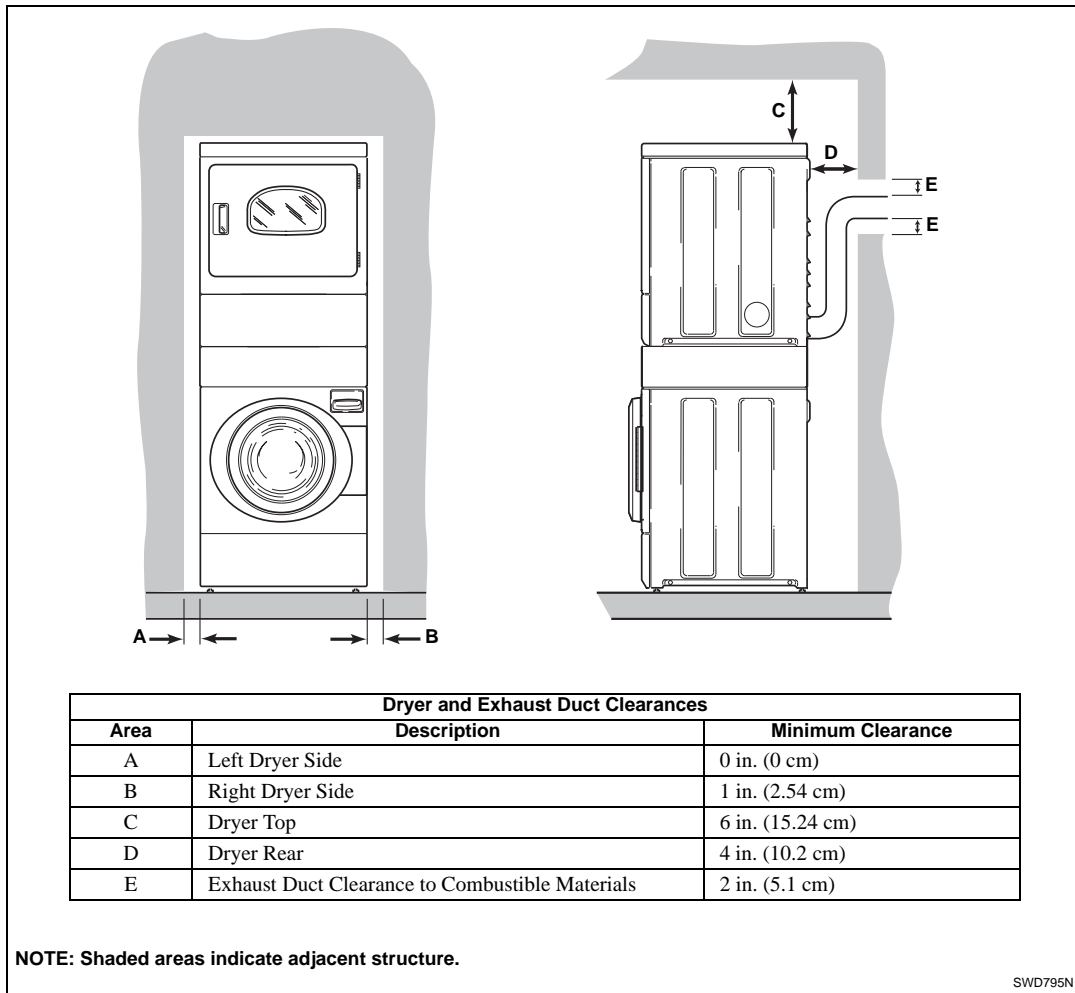


Figure 23

NOTE: Use of the dispenser drawer or unit doors as a handle in the transportation of the unit may cause damage to the dispenser or doors.

Place unit in position on a solid, sturdy and level floor. Installing the unit on any type of carpeting, soft tile, a platform or other weakly supported structures is not recommended.

WARNING

Units elevated above floor level must be anchored to that elevated surface, base or platform. The material used to elevate the unit should also be anchored to the floor to ensure that the unit will not walk or that the unit can not be physically pulled, tipped or slid from its installed position. Failure to do so may result in conditions which can produce serious injury, death and/or property damage.

W307

Place a level on the cabinet top and check if the unit is level from side to side and front to back.

NOTE: Level must rest on raised portion of top panel. Refer to *Figure 24*.

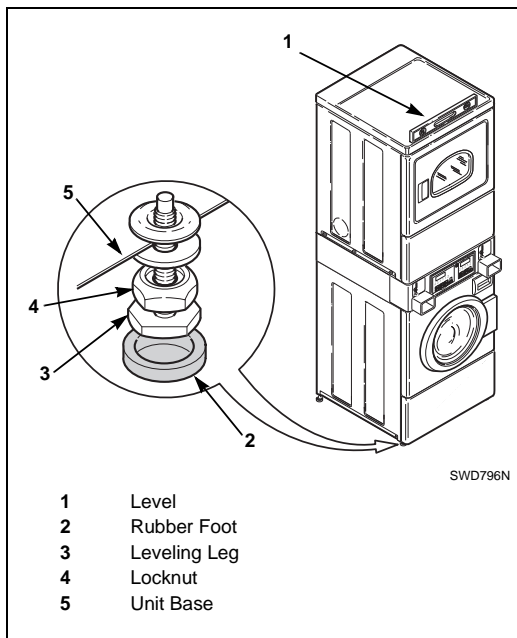


Figure 24

If unit is not level, tilt unit to access the front and rear leveling legs. For easier access to leveling legs, prop up unit with a wooden block. Refer to *Figure 25*. Loosen the locknuts and adjust legs by screwing into or out of unit base.

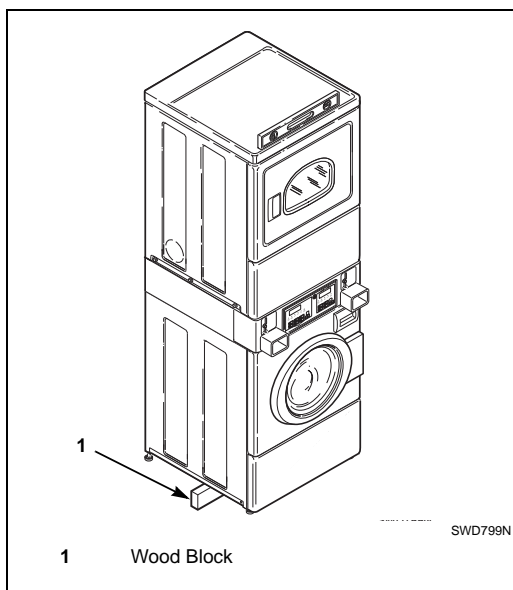


Figure 25

Make sure that the unit does not rock. When unit is level and does not rock, **tighten locknuts securely against bottom of unit base**. If these locknuts are not tight, unit will move out of position during operation.

Leveling legs can be adjusted from inside the unit with a 7/8 inch deep well socket. All four legs must rest firmly on the floor so the weight of the unit is evenly distributed. The unit must not rock and must be level from side-to-side and front-to-back.

NOTE: Do not slide unit across floor once the leveling legs have been extended. Legs and base could become damaged.

Place rubber feet (supplied in accessories bag) on all four leveling legs. Refer to *Figure 24*.

Verify that unit does not rock.

Step 9: (Washer Only) Remove the Shock Sleeves and Shipping Brace

Remove front access panel by removing the two screws at the bottom of the panel.

Remove the five bolts and lockwashers from shipping brace with 9/16 inch wrench and remove brace. Refer to *Figure 26*. Four bolts are located on the unit base and one is holding the brace to the weight. Remove all four shock sleeves by pulling on the yellow rope. Refer to *Figure 26*.

IMPORTANT: The shipping brace, bolts, lockwashers and shock sleeves should be saved and MUST be reinstalled whenever the unit is moved more than 4 feet (1.22 m). Do not lift or transport unit from front or without shipping materials installed. Refer to the *Maintenance* section for proper instructions on reinstalling the shipping materials.

Remove label from front side of front access panel and place on backside of front access panel for future reference.

Store the shipping materials in the accessories bag. Save materials for use whenever the unit is moved.

Reinstall front access panel.

IMPORTANT: DO NOT tip washer more than 6 inches (152.4 mm) in any direction after shipping brace has removed. Shock absorbers may separate and damage to unit may result. For leveling purposes, the unit may be tilted a maximum of 6 inches (152.4 mm) in any direction.

Step 10: Wipe Out Inside of Washer Drum and Dryer Drum

Before using the washer and dryer for the first time, use an all-purpose cleaner, or a detergent and water solution, and a damp cloth to remove shipping dust from inside the drums.

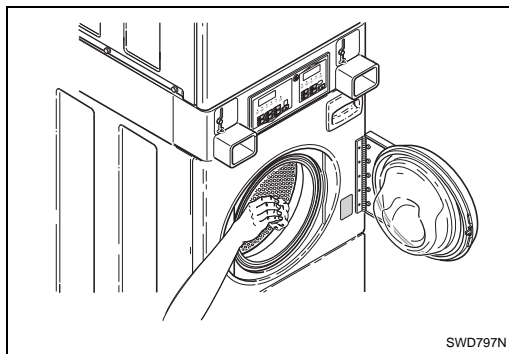


Figure 27

SWD797N

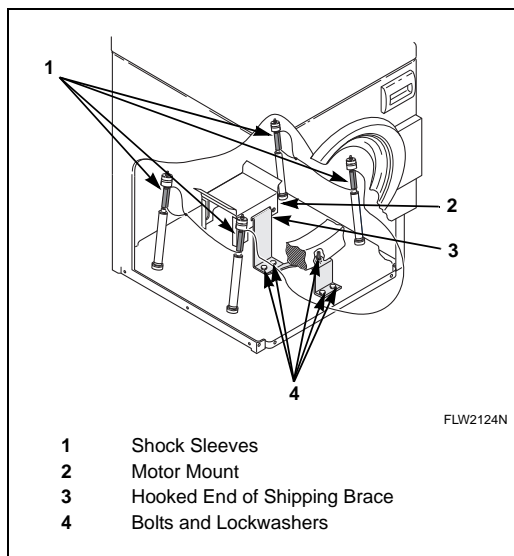


Figure 26

FLW2124N

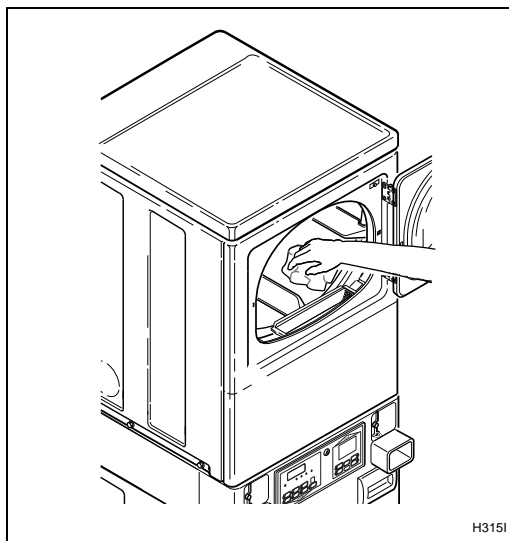


Figure 28

H3151

Installation

Step 11: Plug In the Washer and Dryer

Electric Dryer

Connect the dryer to an electrical power source. Refer to Step 6 for information on connecting power cord.

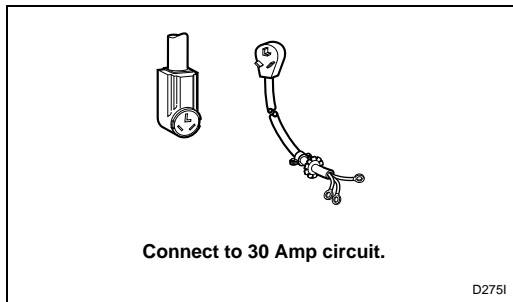


Figure 29

Gas Dryer

Dryer requires 120 Volt, 60 Hertz electrical supply and comes equipped with a 3-prong grounding plug. Refer to serial plate for specific electrical requirements.

NOTE: The wiring diagram is located behind the control panel, inside the control cabinet.

	WARNING
<p>To reduce the risk of fire, electric shock, serious injury or death, all wiring and grounding MUST conform with the latest edition of the National Electrical Code, ANSI/NFPA 70, or the Canadian Electrical Code, CSA C22.1, and such local regulations as might apply. It is the customer's responsibility to have the wiring and fuses installed by a qualified electrician to make sure adequate electrical power is available to the dryer.</p>	
W521	

When plugging in the dryer:

- Do not overload circuits.
- Do not use an adapter.
- Do not use an extension cord.
- Do not operate both a washer and gas dryer on the same circuit. Use separately fused 15 Amp circuits.

The dryer is designed to be operated on a separate branch, polarized, three-wire, effectively grounded, 120 Volt, 60 Hertz, AC (alternating current) circuit protected by a 15 Ampere fuse, equivalent fusetron or circuit breaker.

The three-prong grounding plug on the power cord should be plugged directly into a polarized three-slot effectively grounded receptacle rated 120 Volts AC (alternating current) 15 Amps. Refer to *Figure 30* to determine correct polarity of the wall receptacle.

Grounding Information

The dryer must be grounded. In the event of malfunction or breakdown, grounding will reduce the risk of electric shock by providing a path of least resistance for electric current. The dryer is equipped with a cord having an equipment-grounding conductor and a three-prong grounding plug. The three-prong grounding plug on the power cord should be plugged directly into a polarized three-slot effectively grounded receptacle rated 110/120 Volts AC (alternating current) 15 Amps.

	WARNING
<p>This dryer is equipped with a three-prong (grounding) plug for your protection against shock hazard and should be plugged directly into a properly grounded three-prong receptacle. Do not cut or remove the grounding prong from this plug.</p>	
W036	

	WARNING
<p>Improper connection of the equipment-grounding conductor can result in a risk of electric shock. Check with a qualified electrician or service person if you are in doubt as to whether the dryer is properly grounded.</p>	
W038	

Do not modify the plug provided with the dryer – if it will not fit the outlet, have a proper outlet installed by a qualified electrician.

NOTE: Have a qualified electrician check the polarity of the wall receptacle. If a voltage reading is measured other than that illustrated, the qualified electrician should correct the problem.

Do not operate other appliances on the same circuit when this appliance is operating.

WARNING

To reduce the risk of an electric shock or fire, **DO NOT** use an extension cord or an adapter to connect the dryer to the electrical power source.

W037

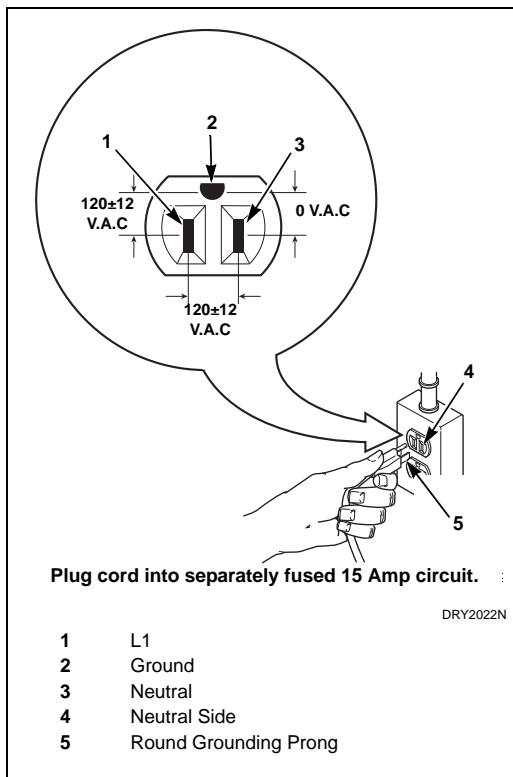


Figure 30

Washer

Washer requires 120 Volt, 60 Hertz electrical supply and comes equipped with a 3-prong grounding plug. Refer to serial plate for specific electrical requirements.

NOTE: The wiring diagram is located behind the control panel, inside the control cabinet.

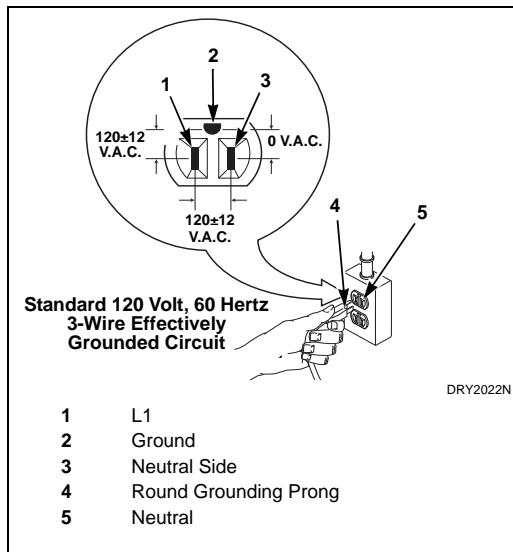


Figure 31

WARNING

To reduce the risk of fire, electric shock, serious injury or death, all wiring and grounding **MUST** conform with the latest edition of the National Electrical Code, ANSI/NFPA No. 70, and such local regulations as might apply. It is the customer's responsibility to have the wiring, fuses and circuit breakers installed by a qualified electrician to make sure adequate electrical power is available to the washer.

W518


Installation

When plugging in the washer:

- DO NOT overload circuits.
- DO NOT use an extension cord.
- DO NOT use an adapter.
- DO NOT operate both a washer and gas dryer on the same circuit. Use separately fused 15 Amp circuits.

The washer is designed to be operated on a separate branch, polarized, three-wire, effectively grounded, 120 Volt, 60 Hertz, AC (alternating current) circuit protected by a **15 Amp fuse**, equivalent fusetron or circuit breaker.


The three-prong grounding plug on the power cord should be plugged directly into a polarized three-slot effectively grounded receptacle rated 110/120 Volts AC (alternating current) 15 Amps. Refer to *Figure 31* to determine correct polarity of the wall receptacle.

	WARNING
To reduce the risk of an electric shock or fire, DO NOT use an extension cord or an adapter to connect the washer to the electric power source.	
W082	

Grounding Information


The washer must be grounded. In the event of malfunction or breakdown, grounding will reduce the risk of electric shock by providing a path of least resistance for electric current.

The washer is equipped with a cord having an equipment-grounding conductor and a three-prong grounding plug. The plug must be plugged into an appropriate outlet that is properly installed and grounded in accordance with all local codes and ordinances.

	WARNING
Improper connection of the equipment-grounding conductor can result in a risk of electric shock. Check with a qualified electrician or service person if you are in doubt as to whether the washer is properly grounded.	
W216	

Do not modify the plug provided with the washer – if it will not fit the outlet, have a proper outlet installed by a qualified electrician.

NOTE: Have a qualified electrician check the polarity of the wall receptacle. If a voltage reading is measured other than that in *Figure 31*, the qualified electrician should correct the problem.

	WARNING
This unit is equipped with a three-prong (grounding) plug for your protection against shock hazard and should be plugged directly into a properly grounded three-prong receptacle. Do not cut or remove the grounding prong from this plug.	
W213	

Step 12: Recheck steps 1-11

Refer to *Installer Checklist* on the back cover of this manual and make sure that unit is installed correctly.

Run washer through one complete cycle to make sure it is operating properly.

Step 13: Check Heat Source

Electric Dryers

Close the loading door and start the dryer in a heat setting (refer to the *Operation* section). After the dryer has operated for three minutes, the exhaust air or exhaust pipe should be warm.

Gas Dryers

IMPORTANT: This operation is to be conducted by qualified personnel only.

To view the burner flame, remove the lower front panel of the dryer.

Close the loading door, start the dryer in a heat setting (refer to the *Operation* section). The unit will start, the igniter will glow red and the main burner will ignite.


IMPORTANT: If all air is not purged out of gas line, gas igniter may go off before gas is ignited. If this happens, after approximately two minutes igniter will attempt gas ignition.

IMPORTANT: If igniter does not light, make sure gas is turned on.

After the dryer has operated for approximately five minutes, observe burner flame through lower front panel. Adjust the air shutter to obtain a soft, uniform blue flame. (A lazy, yellow-tipped flame indicates lack of air. A harsh, roaring, very blue flame indicates too much air.) Adjust the air shutter as follows:

1. Loosen the air shutter lockscrew.
2. Turn the air shutter to the left to get a luminous yellow-tipped flame, then turn it back slowly to the right to obtain a steady, soft blue flame.

3. After the air shutter is adjusted for proper flame, tighten the air shutter lockscrew securely.
4. Reinstall the lower front panel.


	WARNING
For personal safety, lower front panel must be in place during normal operation.	
<small>W046</small>	

After the dryer has operated for approximately three minutes, exhaust air or exhaust pipe should be warm.

MODELS THROUGH SERIAL NO. 0803	MODELS STARTING SERIAL NO. 0804
D700I	DRY2235N
<ol style="list-style-type: none"> 1 Closed Position 2 Shut-Off Valve Handle 3 Air Shutter Lockscrew 4 Air Shutter 	<ol style="list-style-type: none"> 5 1/8 in. (3.1 mm) Pipe Plug (For checking manifold pressure) 6 Open Position

Operation

Operation Instructions for MDC Washers

	WARNING
To reduce the risk of fire, electric shock, or injury to persons, read the IMPORTANT SAFETY INSTRUCTIONS before operating this appliance.	
<small>W727</small>	

IMPORTANT: Prior to first wash, use an all-purpose cleaner, or a detergent and water solution, and a damp cloth to remove shipping dust from inside of washer drum.

IMPORTANT: Remove all sharp objects from laundry to avoid tears and rips to items during normal machine operation.

Step 1: Load Laundry

Load items loosely into wash drum.

NOTE: Small items, such as baby socks, may get caught around the door. Place these articles inside a mesh garment bag.



Figure 32

When washing bulky items such as blankets and comforters, use the DELICATES or DELICATES/ COLD cycle (cycles vary by model). The cycle includes agitation and final spin speeds that maintain the load's balance and minimize wear to the articles.

Step 2: Close Loading Door

Close loading door tightly. The washer will not operate with the loading door open.

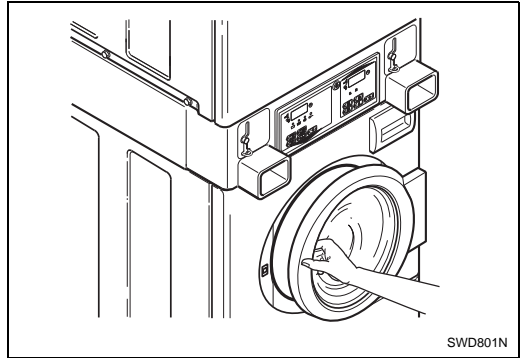



Figure 33

Step 3: Add Laundry Supplies

Open dispenser drawer. Measure and add low sudsing, high efficiency (HE) detergent (1), bleach (2) and fabric softener (3) to the dispenser drawer. Refer to *Figure 34*. Close dispenser drawer.

IMPORTANT: If using non-HE detergent, avoid oversudsing by using 1/2 of the detergent manufacturer's recommended amount.

	CAUTION
<p>Dispenser drawer requires a special tool for removal. Contact a service person if removal is necessary.</p>	
W236	

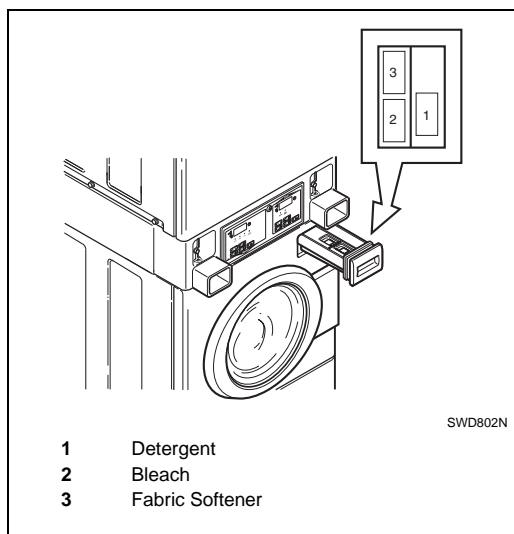


Figure 34

Step 4: Determine Proper Controls for Washer

The direction of the arrow indicates which controls are for the washer.

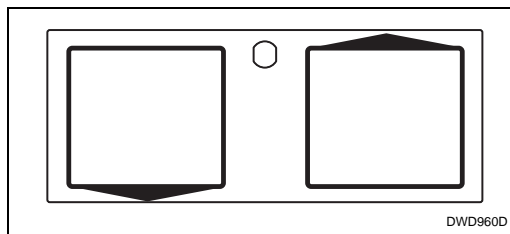


Figure 35

Step 5: Set Fabric Selector and Wash Temperature (Cycles Vary by Model)

Push keypad for cycle. Light indicates selection.

NOTE: Changes can be made to Fabric Selector setting up until the first fill is complete.

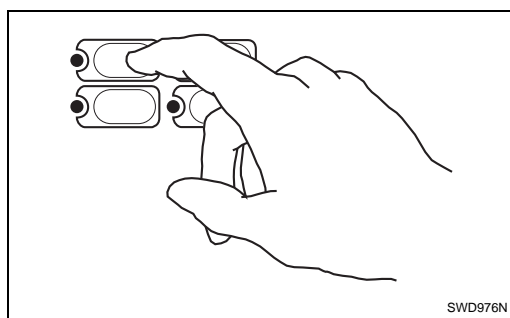


Figure 36

Operation

Step 6: Insert Coin(s) or Card

To Insert Money

Insert coin(s) in coin slot. Check pricing as seen on digital display.

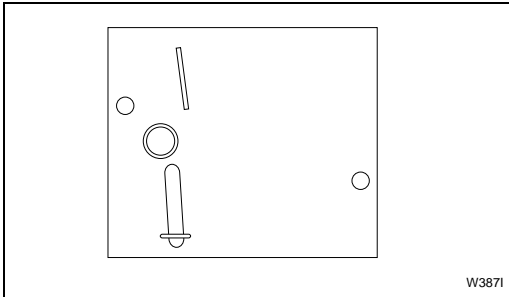


Figure 37

To Insert Card

Insert card into opening.

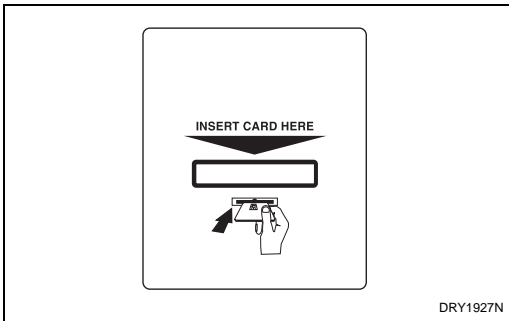


Figure 38

Step 7: Start Washer

After vend price has been satisfied, push the **START** keypad. Door must be closed to start washer.

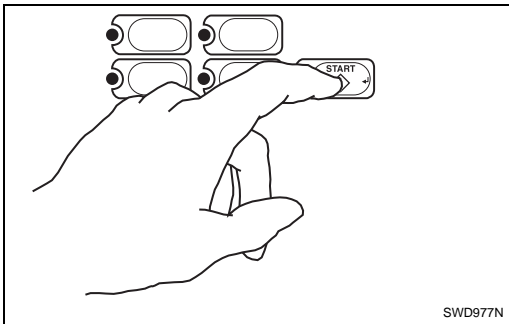


Figure 39

Indicator Lights

WASH

WASH is lit at the beginning of a Wash cycle and will remain lit until the Wash cycle is complete.

RINSE

RINSE is lit at the beginning of the Rinse or Extra Rinse cycle and will remain lit until the Rinse cycle is completed.

SPIN

SPIN is lit for all Spin cycles.

DOOR LOCKED


DOOR LOCKED is lit whenever the door is locked. The door cannot be opened when this light is on.

START

START flashes one second on and one second off when the full vend price has been satisfied.


IMPORTANT: If washer fails to operate properly after installation, make sure electrical service and water supply faucets are turned on. Are all the controls properly set? Have a qualified serviceman refer to the wiring diagram (located inside of washer control cabinet), check for broken, loose or incorrect wiring.

NOTE: Once a cycle has started, the door can only be opened by first unplugging the power cord and waiting one minute.

	WARNING
To reduce the risk of bodily injury, do not remove laundry from washer until all lights are out, and all moving parts have stopped.	

W092

Operation Instructions for NetMaster Washers

	WARNING
<p>To reduce the risk of fire, electric shock, or injury to persons, read the IMPORTANT SAFETY INSTRUCTIONS before operating this appliance.</p>	
W727	

IMPORTANT: Prior to first wash, use an all-purpose cleaner, or a detergent and water solution, and a damp cloth to remove shipping dust from inside of washer drum.

IMPORTANT: Remove all sharp objects from laundry to avoid tears and rips to items during normal machine operation.

Step 1: Load Laundry

Load items loosely into wash drum.

NOTE: Small items, such as baby socks, may get caught around the door. Place these articles inside a mesh garmet bag.

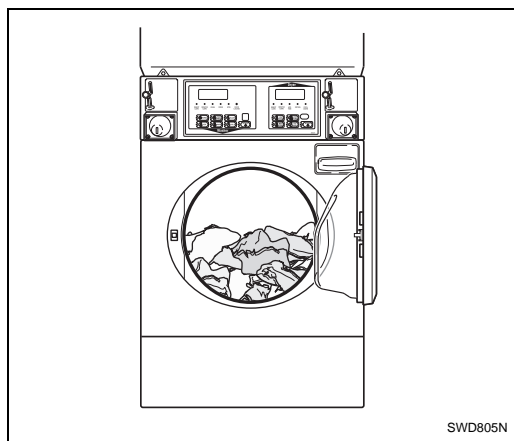


Figure 40

When washing bulky items such as blankets and comforters, use the DELICATES cycle. The cycle includes agitation and final spin speeds that maintain the load's balance and minimize wear to the articles.

Step 2: Close Loading Door

Close loading door tightly. The washer will not operate with the loading door open.

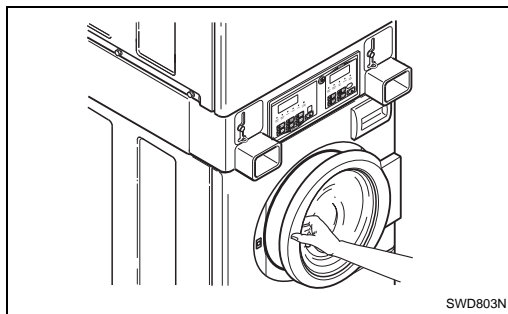



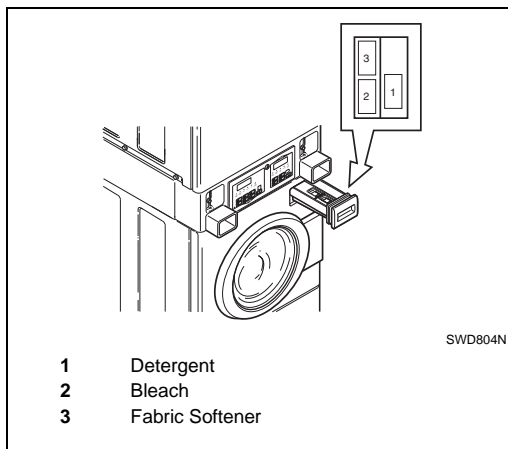
Figure 41

Step 3: Add Laundry Supplies

Open dispenser drawer. Measure and add low sudsing, high efficiency (HE) detergent (1), bleach (2) and fabric softener (3) to the dispenser drawer. Refer to Figure 42. Close dispenser drawer.

IMPORTANT: If using non-HE detergent, avoid oversudsing by using 1/2 of the detergent manufacturer's recommended amount.

	CAUTION
<p>Dispenser drawer requires a special tool for removal. Contact a service person if removal is necessary.</p>	
W236	



- 1 Detergent
- 2 Bleach
- 3 Fabric Softener

Figure 42

Operation

Step 4: Determine Proper Controls for Washer

The direction of the arrow indicates which controls are for the washer.

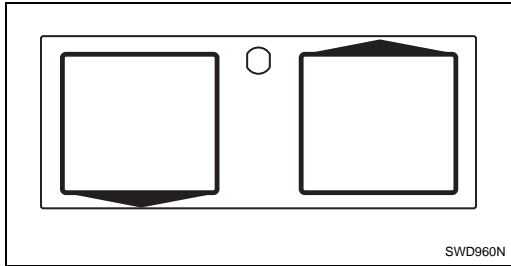


Figure 43

Step 5: Set Fabric Selector

Push keypad for **NORMAL**, **PERM PRESS** or **DELICATES** cycle. Light indicates selection.

NOTE: Changes can be made to Fabric Selector setting up until the first fill is complete.

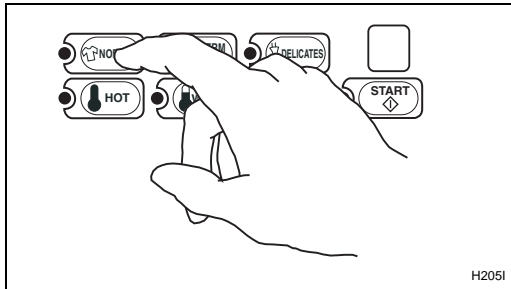


Figure 44

Step 6: Set Wash Temperature

Push keypad for **HOT**, **WARM** or **COLD**. Light indicates selection.

NOTE: Always follow manufacturer's care labels.

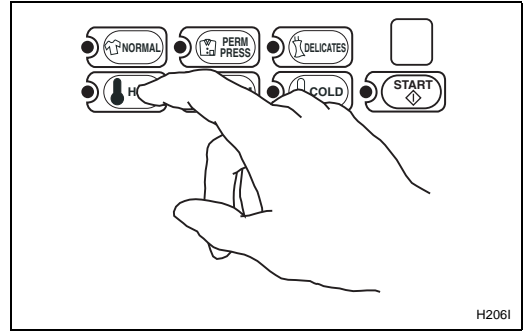


Figure 45

Step 7: Insert Coin(s) or Card

To Insert Money

Insert coin(s) in coin slot. Check pricing as seen on digital display.

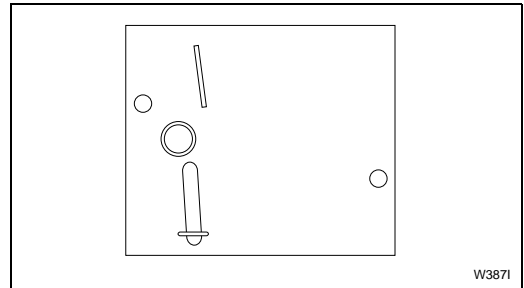


Figure 46

To Insert Card

Insert card into opening. **DO NOT** remove the card until the *REMOVE CARD* LED is lit.

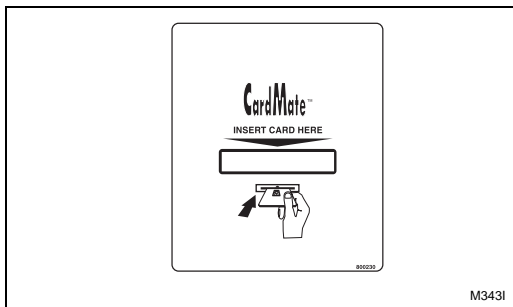


Figure 47

Step 8: Start Washer

After vend price has been satisfied, push the **START** keypad. Door must be closed to start washer.

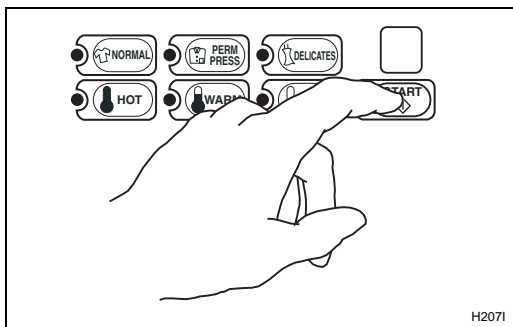


Figure 48

Indicator Lights

WASH

WASH is lit at the beginning of a Wash cycle and will remain lit until the Wash cycle is complete.

RINSE

RINSE is lit at the beginning of the Rinse or Extra Rinse cycle and will remain lit until the Rinse cycle is completed.

SPIN

SPIN is lit for all Spin cycles.

DOOR LOCKED

DOOR LOCKED is lit whenever the door is locked. The door cannot be opened when this light is on.

INSERT COIN/CARD


INSERT COIN/CARD is lit to prompt the user to insert coins or a card to satisfy the vend price. When *INSERT COIN/CARD* is lit, the digits and decimal point show the vend price remaining to be satisfied.

REMOVE CARD (Card Models Only)

REMOVE CARD flashes after the **START** keypad has been pressed and the vend has been deducted from the card.


IMPORTANT: If washer fails to operate properly after installation, make sure electrical service and water supply faucets are turned on. Are all the controls properly set? Have a qualified serviceman refer to the wiring diagram (located inside of washer control cabinet), check for broken, loose or incorrect wiring.

NOTE: Once a cycle has started, the door can only be opened by first unplugging the power cord and waiting one minute.

	WARNING
<p>To reduce the risk of bodily injury, do not remove laundry from washer until all lights are out, and all moving parts have stopped.</p>	
W092	

Operation

Operation Instructions for MDC Dryers

	WARNING
<p>To reduce the risk of fire, electric shock, or injury to persons, read the IMPORTANT SAFETY INSTRUCTIONS before operating this appliance.</p>	
<small>W727</small>	

IMPORTANT: Before using dryer for the first time, use an all-purpose cleaner, or a detergent and water solution, and a damp cloth to remove shipping dust from inside of dryer drum.

IMPORTANT: Remove all sharp objects from laundry to avoid tears and rips to items during normal machine operation.

Step 1: Clean Lint Filter

Clean lint filter before each use.

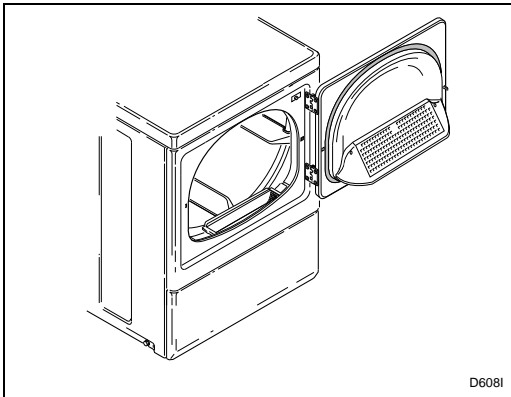


Figure 49

Step 2: Load Laundry

Load clothes loosely into dryer drum. Add fabric softener sheet if desired.

IMPORTANT: To avoid damage to dryer, do not use more than one fabric softener sheet per load.

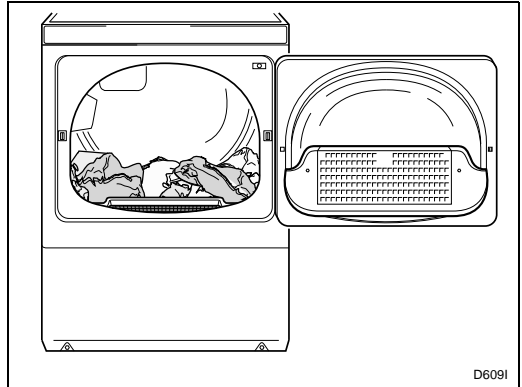


Figure 50

Step 3: Close Loading Door

Close loading door. Dryer will not operate with the door open.

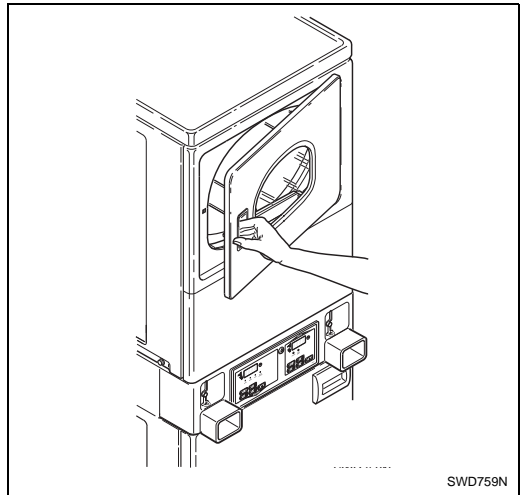


Figure 51

Step 4: Determine Proper Controls for Dryer

The direction of the arrow indicates which controls are for the dryer.

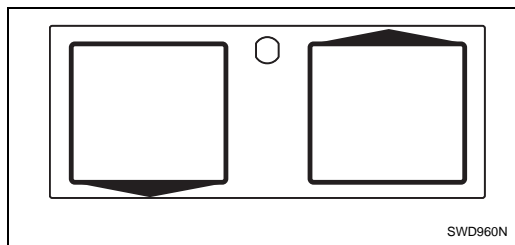


Figure 52

Step 5: Set Fabric Selector

Select **HIGH TEMP**, **MED TEMP**, **LOW TEMP** or **DELICATES** by pushing keypad.

NOTE: Always follow manufacturer's care label instructions.

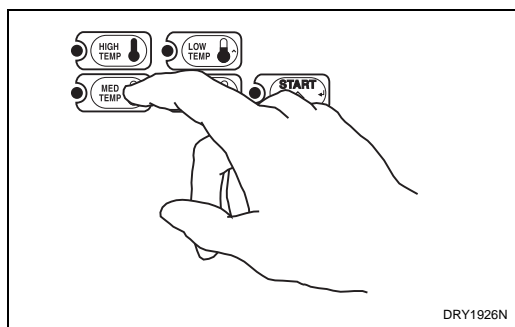


Figure 53

Step 6: Insert Coin(s) or Card

To Insert Money

Insert coin(s) in coin slot. Check pricing as seen on digital display.

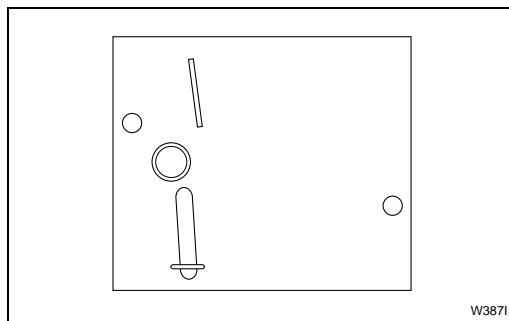


Figure 54

To Insert Card

Insert card into opening.



Figure 55

If Additional Time Feature is turned on, additional dryer time may be purchased at cycle start or while dryer is running.

Remove knits when slightly damp because overdrying may cause shrinkage. Do not tumble dry knit woolsens.

Operation

Step 7: Start Dryer

To start dryer, push **START** keypad.

To stop dryer at any time, open the door. To restart the dryer, close door and push **START** keypad.

Cycle is completed when time remaining reaches 00 minutes.

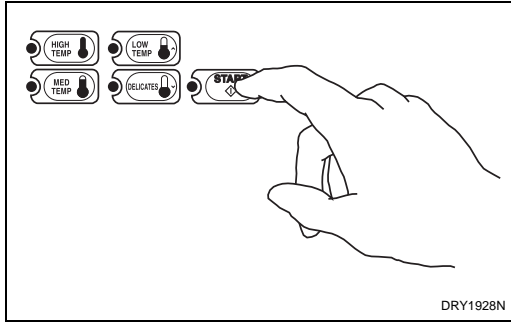


Figure 56

Indicator Lights

START

START is lit when the dryer is not in a cycle, the full vend price has been satisfied and the dryer door is closed. When the **START** keypad is pressed, the cycle will begin or resume.


DRYING

DRYING is lit to indicate that one of the heated cycles (HIGH TEMP, MED TEMP, LOW TEMP or DELICATES) is currently in operation. *DRYING* will turn off at the end of a heated cycle or when the COOL DOWN cycle begins.

COOL DOWN

COOL DOWN is lit whenever the COOL DOWN portion of a heated cycle is active. It is also lit when no heat is programmed for a cycle in operation.

Operation Instructions for NetMaster Dryers

	WARNING
<p>To reduce the risk of fire, electric shock, or injury to persons, read the IMPORTANT SAFETY INSTRUCTIONS before operating this appliance.</p>	
W727	

IMPORTANT: Before using dryer for the first time, use an all-purpose cleaner, or a detergent and water solution, and a damp cloth to remove shipping dust from inside of dryer drum.

IMPORTANT: Remove all sharp objects from laundry to avoid tears and rips to items during normal machine operation.

Step 1: Clean Lint Filter

Clean lint filter before each use.

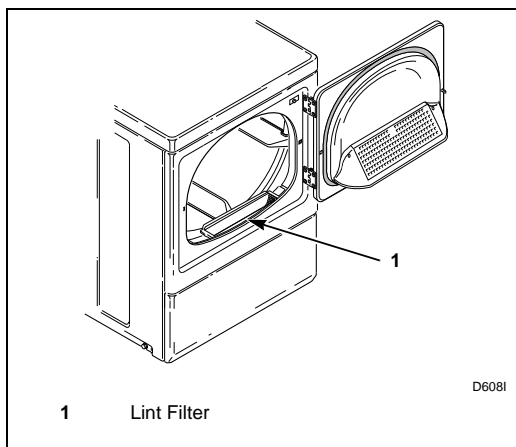


Figure 57

Step 2: Load Laundry

Load clothes loosely into dryer drum. Add fabric softener sheet if desired.

IMPORTANT: To avoid damage to dryer, do not use more than one fabric softener sheet per load.

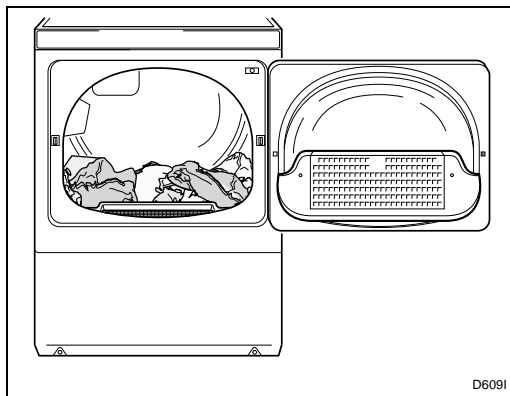


Figure 58

Step 3: Close Loading Door

Close loading door. Dryer will not operate with the door open.

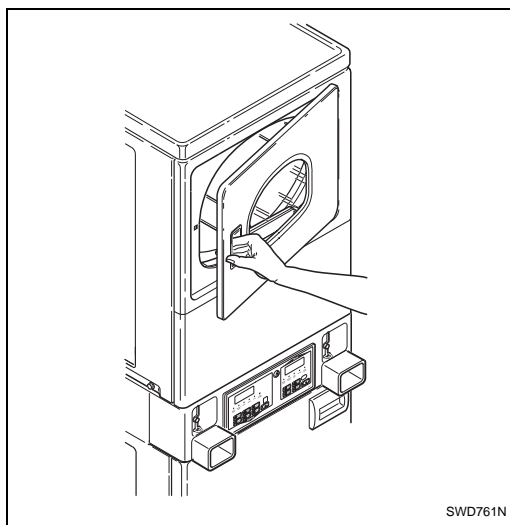


Figure 59

Operation

Step 4: Determine Proper Controls for Dryer

The direction of the arrow indicates which controls are for the dryer.

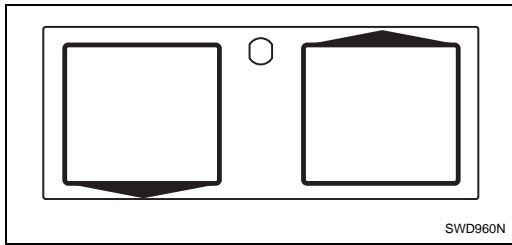


Figure 60

Step 5: Set Fabric Selector

Select **HIGH TEMP**, **MED TEMP**, **LOW TEMP** or **NO HEAT** by pushing keypad.

NOTE: Always follow manufacturer's care label instructions.

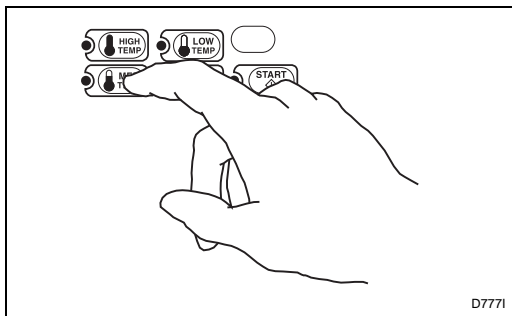


Figure 61

Step 6: Insert Coin(s) or Card

To Insert Money

Insert coin(s) in coin slot. Check pricing as seen on digital display.

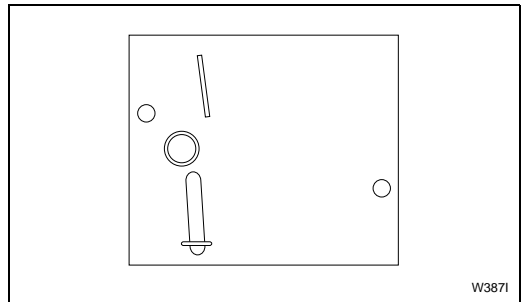


Figure 62

To Insert Card

Insert card into opening. Do not remove the card until the **REMOVE CARD LED** is lit.

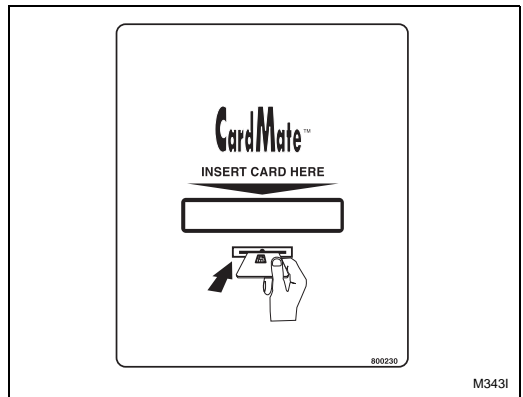


Figure 63

If Additional Time Feature is turned on, additional dryer time may be purchased at cycle start or while dryer is running.

Remove knits when slightly damp because overdrying may cause shrinkage. Do not tumble dry knit woolsens.

Step 7: Start Dryer

To start dryer, push **START** keypad.

To stop dryer at any time, open the door. To restart the dryer, close door and push **START** keypad.

Cycle is completed when time remaining reaches 00 minutes.

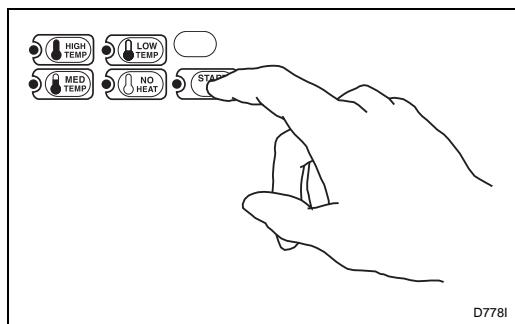


Figure 64

Indicator Lights

INSERT COINS/CARD

INSERT COINS/CARD is lit to prompt the user to insert coins or card to satisfy the vend price. When *INSERT COINS/CARD* is lit, the three digits and decimal point will display the vend price remaining to be satisfied.

START

START is lit when the dryer is not in a cycle, the full vend price has been satisfied and the dryer door is closed. When the **START** keypad is pressed, the cycle will begin or resume.

DRYING

DRYING is lit to indicate that one of the heated cycles (**HIGH TEMP**, **MED TEMP**, **LOW TEMP**) is currently in operation. *DRYING* will turn off at the end of a heated cycle or when the **COOL DOWN** cycle begins.

COOL DOWN

COOL DOWN is lit whenever the **COOL DOWN** portion of a heated cycle is active. It is also lit when the **NO HEAT** cycle is in operation.

ADD TIME (Card Models Only)

ADD TIME flashes when a card is inserted while a cycle is running or when a card is left in the reader.

REMOVE CARD (Card Models Only)

REMOVE CARD flashes when a card is inserted or left in the reader after a transaction is complete. It will also flash alternately with *ADD TIME* when a card is inserted while a cycle is running or when a card is left in the reader.

Maintenance

User-Maintenance Instructions

Lubrication

All moving parts are sealed in a permanent supply of lubricant or are equipped with oilless bearings. Additional lubrication will not be necessary.

Do not lubricate the washer door hinge. If the hinge makes noise, replace the hinge.

Cold Weather Care

If the unit is delivered on a cold day (below freezing), or is stored in an unheated room or area during the cold months, do not attempt to operate it until the washer has had a chance to warm up.

Vacations and Extended Non-Use

IMPORTANT: To avoid possible property damage due to flooding, turn off the water supply to the washer whenever there will be an extended period of non-use.

Leave the loading door open during extended periods of non-use to allow the wash drum to dry out and avoid a musty smell.

Care of Your Washer

Use only a damp or sudsy cloth for cleaning the control panel. Some cleaning product sprays may harm the finish on the control panel or damage the interior.

Wipe the washer cabinet as needed. If detergent, bleach or other washing products are spilled on the cabinet, wipe immediately. Some products will cause permanent damage if spilled on the cabinet.

Do not use scouring pads or abrasive cleansers.

The wash drum will need no particular care although it may need rinsing or wiping after an unusual load has been washed.

The outside of the door window can be cleaned with household window cleaner.

Running an occasional rinse cycle with bleach will help avoid a musty smell in the wash drum.

Cleaning Glass Sealing Area

In order to assure that the door properly seals against water leaks, the following surfaces should be wiped off periodically:

- The outside perimeter of the door glass where the seal contacts the glass.
- The front surface of the door seal lip.

Usually a mild soap solution will work. If there is an extreme build-up of minerals from a hard water supply, the surfaces may need to be cleaned with a lime removal chemical.

Replacing Hoses

Hoses and other natural rubber parts deteriorate after extended use. Hoses may develop cracks, blisters or material wear from the temperature and constant high pressure they are subjected to.

All hoses should be checked on a monthly basis for any visible signs of deterioration. Any hose showing the signs of deterioration listed above should be replaced immediately. All hoses should be replaced every five years.

Cleaning Foreign Object Trap

The washer's pump has a trap that may collect foreign objects. The trap may need to be cleaned if water is draining slower than usual. To clean:

- Disconnect washer from electrical supply.
- While supporting the front access panel, remove two screws from the bottom edge of the panel.
- Gently lower the panel to remove it from the washer.

NOTE: The pump may have some water in it. Use a rag or a container to catch water. If the wash drum is full of water, use a wet/dry shop vacuum to catch the water.

- With rag or vacuum ready, unscrew the cap on the left side of the pump and remove trap.
- Clean the debris from the trap.
- Reinstall the trap and access panel.
- Reconnect washer to electrical supply.


Filter Screen

Check the filter screens in the fill hoses for debris or damage annually. Clean or replace them if necessary.

If the washer is filling with water slower than normal, check the filter screens. Clean or replace them if necessary.

Order filter screen Part No. F270300 from the nearest authorized parts distributor.

Care of Your Dryer

	WARNING
<p>To reduce the risk of an electric shock, serious injury or death, disconnect the electrical service to the dryer before cleaning the interior.</p>	
W132	

Dryer Interior

Wipe the surfaces using a soft cloth and household cleaner or a non-abrasive paste of powdered laundry detergent and hot water, followed by a short heat cycle with a load of rags.

To remove crayon or ball point ink off the dryer drum, put the heat on high and use old rags in the dryer to absorb the crayon or ink. If unsuccessful, contact the appliance dealer. **DO NOT** use any chemicals in the dryer.

IMPORTANT: The use of chlorine bleach for removing any discolorations should be avoided because bleach could damage the finish.


Cabinet

Wipe the dryer cabinet as needed. If detergent, bleach or other washing products have been spilled on the dryer, wipe immediately. Some products will cause permanent damage if spilled on the cabinet.


Control Panel

Use only a damp or sudsy cloth for cleaning the control panel. Some spray pretreat products may harm the finish on the control panel.

NOTE: The wiring diagram is located inside the control panel.

	WARNING
<p>Label all wires prior to disconnection when servicing controls. Wiring errors can cause improper and dangerous operation.</p>	
W049	

Exhaust System

	WARNING
<p>To reduce the risk of electric shock, disconnect the electrical service to the dryer before cleaning.</p>	
W043	

The exhaust duct should be inspected after one year of use and cleaned if necessary by a qualified service person to remove any lint build-up. Inspect and clean exhaust duct every one to two years as required thereafter.

The weather hood should be checked frequently to make sure the dampers move freely, dampers are not pushed in and that nothing has been set against them.

Keep dryer area clear and free from combustible materials, gasoline and other flammable vapors and liquids.

Do not obstruct the flow of combustion and ventilation air.

NOTE: Verify proper operation after servicing.

Lint Filter

CLEAN THE LINT FILTER BEFORE DRYING EACH LOAD. (Refer to *Figure 65* for lint filter location.) Cleaning the lint filter is important because a layer or pad of lint on the filter will block the flow of air through the dryer, thus reducing the efficiency of the dryer. The clothes will take longer to dry and energy will be wasted.

The lint filter may be washed if needed. Annually remove lint filter and screw to vacuum the duct under it.

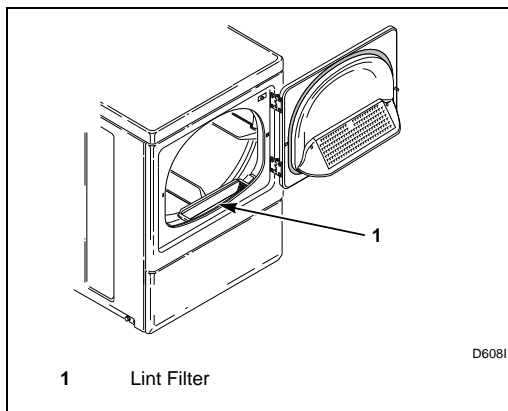


Figure 65

Maintenance

Reinstallation of Shipping Materials

To prevent damage while moving the unit, the shipping materials **MUST** be reinstalled.

- Disconnect washer from electrical supply.
- While supporting the front access panel, remove two screws from the bottom edge of the panel.
- Gently lower the panel to remove it from the washer.
- Place the shock sleeves on all four shock absorbers. Refer to *Figure 66*.
- Insert hooked end of shipping brace into the open slot of the motor mount.
- Attach the brace with the five bolts and washers. Refer to the illustration below.
- Reinstall front access panel.

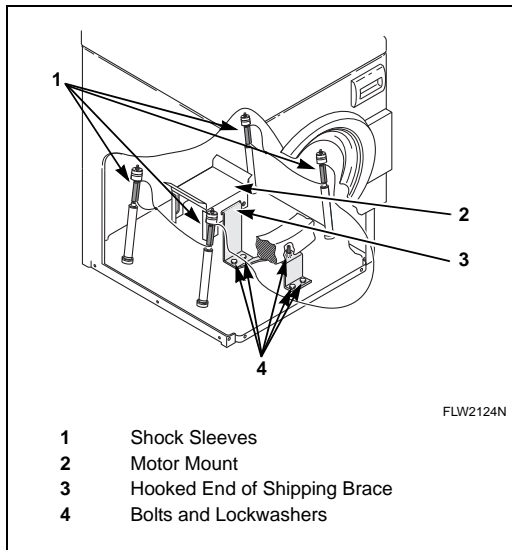


Figure 66

Refer to **Installation** section, **Step 9**, for proper procedures whenever the washer is moved.

Motor Overload Protector

The dryer's motor overload protector stops the motor automatically in the event of an overload. After cooling, the overload protector will reset itself. Dryer can be restarted by pressing the START pad. If overload protector cycles again, remove the dryer from use and call the service person to correct the problem.

For Energy Conservation

- Make sure the lint filter is always clean.
- Do not overload dryer.
- Do not overdry clothes.
- Remove items to be ironed while still damp.
- Large loads of similar fabrics dry the most efficiently. However, dry permanent press in smaller loads to prevent wrinkling.
- Use the correct temperature FABRIC SELECTOR setting for the type of fabric being dried.
- Locate your dryer so the exhaust duct is as short and straight as possible.
- Do not open the door during the drying cycle.
- Plan to do your laundry on low humidity days; your clothes will dry faster.
- Should you plan to dry several loads, do them one after another, then you do not have to reheat the dryer unit's interior parts each time.

Troubleshooting

Try these troubleshooting tips before making a service call. You may save time and money.

Washer Symptom	Possible Cause/Solution
Won't Fill	<ul style="list-style-type: none"> • Make sure power cord is plugged all the way into the electrical outlet. • Make sure hot and cold water faucets are turned on. • Make sure that the fill hoses are not kinked or twisted. • Press START keypad. • Make sure that the controls are properly set. • Make sure that the loading door is closed tightly. • Check the laundry room fuse or circuit breaker. • Clean the screens in the water mixing valve and the filter screens located at the faucet end of the fill hoses.
Won't Start	<ul style="list-style-type: none"> • Make sure loading door is closed tightly. • Press START keypad. • Make sure power cord is plugged all the way into the electrical outlet. • Check the laundry room fuse or circuit breaker. • Insert coin(s) or card. • Make sure door latch is properly adjusted, relative to door lock.
Won't Spin/Tumble	<ul style="list-style-type: none"> • Make sure loading door is closed tightly. • Press START keypad. • Make sure power cord is plugged all the way into the electrical outlet. • Make sure controls are properly set. • Check the laundry room fuse or circuit breaker. • Broken drive belt. Call the service person. • Foreign object trap in pump may be clogged. Clean the trap. Refer to <i>Maintenance</i> section.
Stops/Pauses During Cycle	<ul style="list-style-type: none"> • Pauses are part of the washer's normal operation. • Wash load may be unbalanced. Washer will stop and then restart spin automatically. • Check the laundry room fuse or circuit breaker.
Won't Drain	<ul style="list-style-type: none"> • Make sure drain hose is not kinked or twisted. • Make sure drain hose is not clogged. • Make sure drain receptacle is not clogged. • Refer to the <i>Installation</i> section to make sure that the drain hose has been properly installed. • Foreign object trap in pump may be clogged. Clean the trap. Refer to <i>Maintenance</i> section.
Water Leaks	<ul style="list-style-type: none"> • Check that fill hoses are properly installed on the faucets and the washer's water mixing valve. • Check the condition of the fill hoses. Replace fill hoses every five years. • Check the condition of the rubber door gasket for tears or holes. • Make sure drain receptacle is not clogged. • Check building plumbing. • Laundry load may be oversudsing or overloaded. Make sure you are using low-sudsing, high efficiency (HE) detergent and proper load sizes. • Make sure outside perimeter of the door glass where seal contacts glass is clean.
Too Many Soap Suds	<ul style="list-style-type: none"> • Laundry load may be oversudsing. Make sure you are using low sudsing, high efficiency (HE) detergent. • Make sure you are using the amount of detergent recommended on the detergent's label. If using non-HE detergent, use only 1/2 of the detergent manufacturer's recommended amount. • Laundry load may be overloaded. Make sure you are using proper load sizes.

Troubleshooting

Washer Symptom	Possible Cause/Solution
Vibrates/Moves Slightly	<ul style="list-style-type: none"> • Make sure washer is level. Uneven leveling can cause vibration. • Make sure washer is installed on a solid, sturdy and level floor. The washer should not be installed on carpeting, soft tile, a platform or other weakly supported structures. • Make sure rubber feet are installed on all four leveling legs. Refer to Installation section, Step 8.
Is Noisy	<ul style="list-style-type: none"> • Make sure washer is level. Uneven leveling can cause vibration. • Some sounds may be a part of normal operation for a frontload washer.
Load is too Wet	<ul style="list-style-type: none"> • Wash load may be unbalanced. The washer may have limited the spin speed to prevent damage to the machine. Redistribute the load. • Load is too small. Add items to make full load.
Wrong Water Temperature	<ul style="list-style-type: none"> • Make sure that the controls are properly set. • Check fill hoses. Make sure hot faucet hose is connected to hot mixing valve (indicated with “H” on the valve bracket) and cold faucet is connected to cold mixing valve (indicated with “C” on the valve bracket). • Make sure laundry room water heater is adjusted properly.
Dryer Symptom	Possible Cause/Solution
Won't Start	<ul style="list-style-type: none"> • Insert coin(s) or card. • For dryers equipped with a power cord, make sure the power cord is plugged all the way into the electrical outlet. • Make sure loading door is closed. • Press START pad. • Make sure the laundry room fuse(s) isn't blown or loose, or circuit breakers aren't open. The dryer itself does not have an electrical fuse. An electric dryer has an electrical circuit with two fuses. • Check if motor overload protector has cycled. Wait 10 minutes and try again.
Won't Heat	<ul style="list-style-type: none"> • Make sure the laundry room fuse(s) isn't blown or loose, or circuit breakers aren't open. The dryer itself does not have an electrical fuse. An electric dryer has an electrical circuit with two fuses. • Make sure controls are in a HEAT setting. • Gas dryer only – Make sure equipment and main gas line valves are turned on. • Check exhaust duct to outside to see if it is kinked, blocked or needs cleaning. • Check weather hood to make sure flapper moves freely, has not been pushed in or has not been blocked.
Doesn't Dry Clothes Satisfactorily	<ul style="list-style-type: none"> • Check exhaust duct to outside to see if it is kinked, blocked or needs cleaning. • Check weather hood to make sure flapper moves freely, has not been pushed in or has not been blocked. • Clean the lint filter. • Make sure the load isn't too small. Small loads may not tumble properly or dry evenly. • Check load being dried. Heavy items dried with lightweight items will not dry as quickly as the rest of the load.
Is Noisy	<ul style="list-style-type: none"> • Check dryer for foreign objects (nails, coins, bobby pins, metal, plastic toys, etc.). Remove items from dryer. • Make sure dryer is level. Uneven leveling can cause vibration. • Normal operating sounds include the tick of timer advancing, heat source going on and off, and humming of air moving through the dryer and exhaust system.
Clothes are too Wrinkled	<ul style="list-style-type: none"> • Check heat setting. Overdrying can cause wrinkling. • Check load size. Large loads may not tumble properly and may cause wrinkling.
Clothes Have Odor	<ul style="list-style-type: none"> • Check room for odors before drying clothes. Any odor (fried foods, paint, varnish, cleaners, burning wood, etc.) will transfer to clothing as the dryer draws air from the room. Ventilate room before drying clothes.

Contact Information

If service is required, contact the nearest Factory Authorized Service Center.

If you are unable to locate an authorized service center or are unsatisfied with the service performed on your unit, contact:

Alliance Laundry Systems
Shepard Street
P. O. Box 990
Ripon, WI 54971-0990
U.S.A.
www.comlaundry.com
Phone: (920) 748-3121

Date Purchased _____

Model Number _____

Serial Number _____

When calling or writing about your unit, PLEASE GIVE THE MODEL AND SERIAL NUMBERS. The model and serial numbers are located on the nameplate. The nameplate will be in the location shown in the illustration below. Please include a copy of your bill of sale and any service receipts you have.

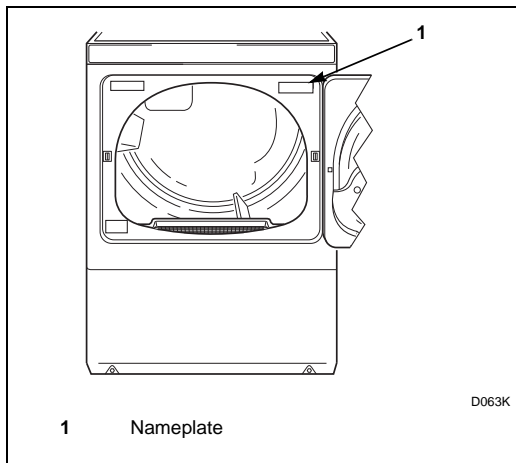


Figure 67

	WARNING
<p>To reduce the risk of serious injury or death, DO NOT repair or replace any part of the dryer or attempt any servicing unless specifically recommended in the user-maintenance instructions or in published user-repair instructions that you understand and have the skills to carry out.</p> <p style="text-align: right;">W133</p>	

If replacement parts are required, contact the source from which you purchased your unit or contact us at (920) 748-3950 for the name and address of the nearest authorized parts distributor.

Installer Checklist

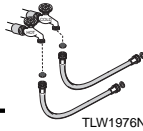
Fast Track for Installing the Stacked Washer and Dryer

(Refer to the manual for more detailed information)

1 • Position Unit Near Area of Installation.

CHECK

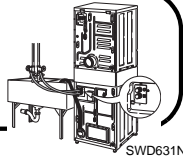
2 • Connect Fill Hoses.



CHECK

3 – Non-Gravity Drain Models Only

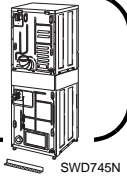
• Connect Drain Hose to Drain Receptacle.



CHECK

4 – Gravity Drain Models Only

• Connect Drain Outlet to Drain System.

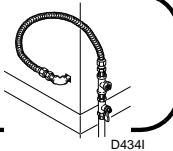


CHECK

5 – Gas Dryer Only

• Connect Gas Supply Pipe.

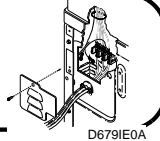
• Check for Gas Leaks.



CHECK

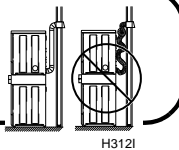
6 – Electric Dryer Only

• Connect Electrical Plug.



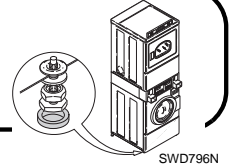
CHECK

7 • Connect Dryer Exhaust System.



CHECK

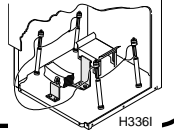
8 • Position and Level the Unit.



CHECK

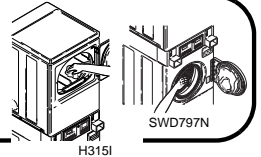
9 – Washer Only

• Remove the Shock Sleeves and Shipping Brace.



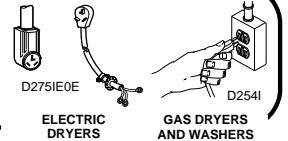
CHECK

10 • Wipe Out Inside of Washer Drum and Dryer Drum.



CHECK

11 • Plug In Washer and Dryer.



CHECK

12 • Recheck Steps 1-11.

CHECK

13 • Check Heat Source.

CHECK