

# Installation Instructions

## for Frontload Washers

### Inside.....

Washer Dimensions.....	2
Before You Start.....	2
Installation.....	3
Installer Checklist.....	Back Cover

Date Purchased \_\_\_\_\_  
Model Number \_\_\_\_\_  
Serial Number \_\_\_\_\_

Para bajar una copia de estas instrucciones en español, visite [www.comlaundry.com](http://www.comlaundry.com).

Keep these instructions for future reference.  
(If this machine changes ownership, this manual must accompany machine.)



# Washer Dimensions

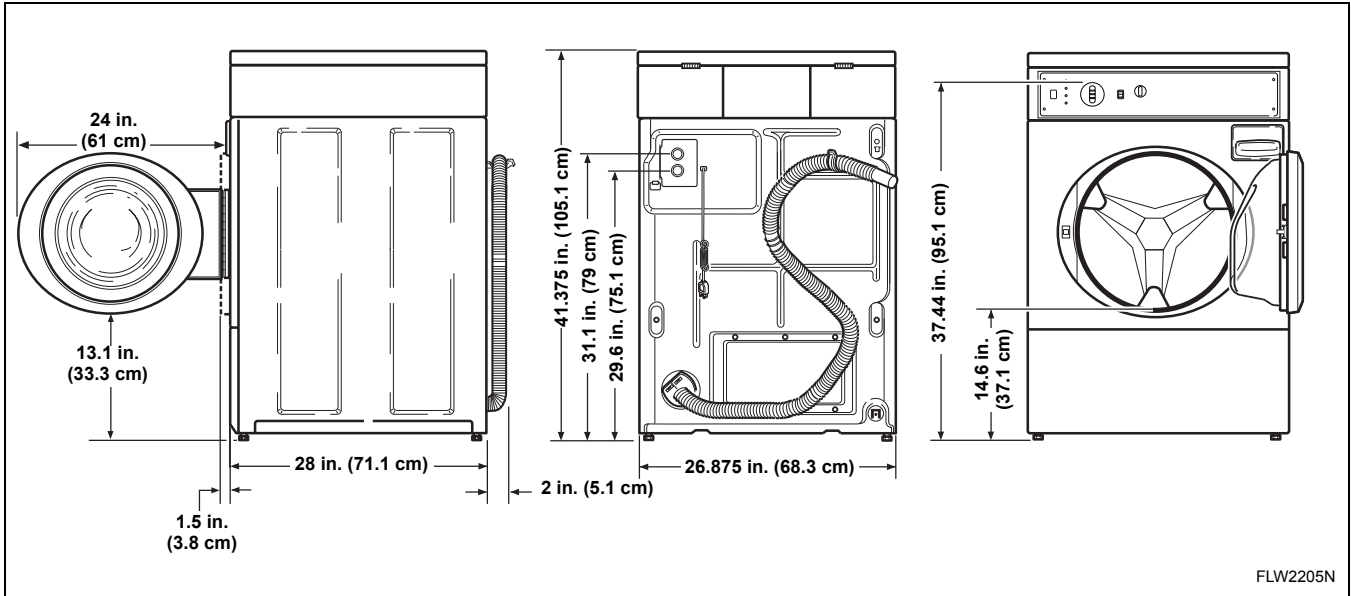


Figure 1

## Before You Start

### Supplies

For most installations, the basic supplies you will need are:

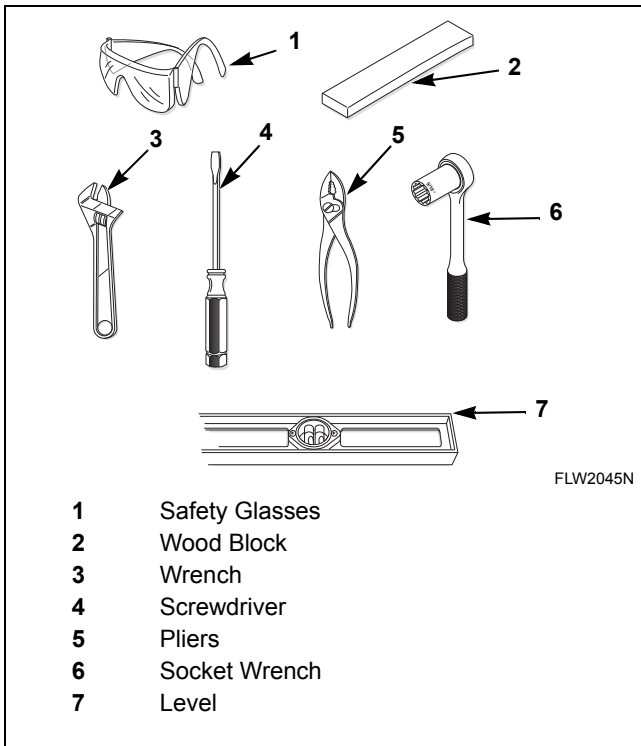


Figure 2

## Parts Included

An accessories bag has been shipped inside your washer. It includes:

- Two fill hoses with washers and filter screens. Refer to step 2 of **Installation**.
- Four rubber feet. Refer to step 4 of **Installation**.
- Beaded strap. Refer to step 3 of **Installation**.
- Literature CD.
- Literature Guides.

**NOTE:** If the washer is delivered on a cold day (below freezing), or is stored in an unheated room or area during the cold months, do not attempt to operate it until the washer has had a chance to warm up.

**NOTE:** Some moisture in the wash drum is normal. Water is used during testing at the manufacturer.

**NOTE:** Install dryer before washer. This allows room for attaching exhaust duct.


## Installation

### Step 1: Position Washer Near Installation Area

Move washer as close to the desired area of installation as possible.

**NOTE: For best performance and to minimize vibration or movement, install washer on a solid, sturdy and level floor. Some floors may need to be reinforced, especially on a second floor or over a basement. Do not install the washer on carpeting, soft tile, a platform or other weakly supported structures.**

### Step 2: Position and Level the Washer

	<b>WARNING</b>
<p><b>Washers elevated above floor level must be anchored to that elevated surface, base or platform. The material used to elevate the washer should also be anchored to the floor to ensure that the washer will not walk or that the washer can not be physically pulled, tipped or slid from its installed position. Failure to do so may result in conditions which can produce serious injury, death and/or property damage.</b></p>	
<small>W306</small>	

Position washer so it has sufficient clearance for installation and servicing.

**NOTE: Use of the dispenser drawer or washer door as a handle in the transportation of the washer may cause damage to the dispenser or door.**

Place washer in position on a solid, sturdy and level floor. Installing the washer on any type of carpeting, soft tile, a platform or other weakly supported structures is not recommended.

For easier access to leveling legs, prop up washer with a wooden block. Refer to *Figure 3*.

Place a level on the cabinet top and check if the washer is level from side to side and front to back.

**NOTE: Level must rest on raised portion of top panel. Refer to *Figure 3*.**

If washer is not level, tilt washer to access the front and rear leveling legs. Loosen the locknuts and adjust legs by screwing into or out of washer base.

Make sure that the washer does not rock. When washer is level and does not rock, tighten locknuts securely against bottom of washer base. If these locknuts are not tight, washer will move out of position during operation.

Do not slide washer across floor once the leveling legs have been extended. Legs and base could become damaged.

Place rubber feet (supplied in accessories bag) on all four leveling legs. Refer to *Figure 3*.

Verify that washer does not rock.

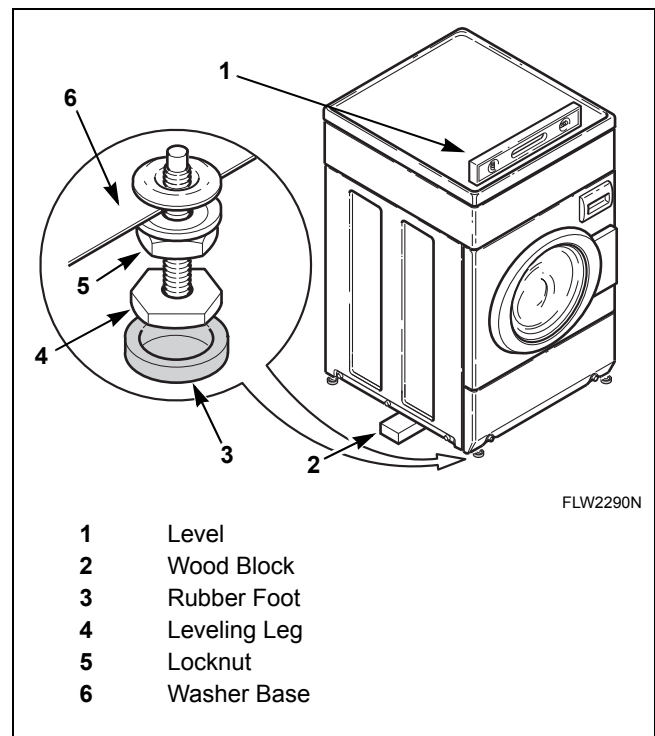



Figure 3

### Step 3: Connect Fill Hoses


	<b>WARNING</b>
<p><b>Under certain conditions, hydrogen gas may be produced in a hot water system that has not been used for two weeks or more. HYDROGEN GAS IS EXPLOSIVE. If the hot water system has not been used for such a period and before using the washer, turn on all hot water faucets and let the water flow from each for several minutes. This will release any accumulated hydrogen gas. The gas is flammable. Do not smoke or use an open flame during this time.</b></p>	
W029	

#### Water Supply

Water supply faucets must fit standard 3/4 inch (19.1 mm) female garden hose couplings. **DO NOT USE SLIP-ON OR CLAMP-ON CONNECTIONS.**

Water supply faucets should be readily accessible to permit turning them off when washer is not being used.

Recommended cold water temperature is 60° to 80° Fahrenheit (16° to 27° Celsius). Recommended maximum hot water temperature is 125° Fahrenheit (51° Celsius). Warm water is a mixture of hot and cold water. Warm water temperature is dependent upon water temperature and pressure of both the hot and cold water supply lines.

	<b>WARNING</b>
<p><b>To prevent personal injury, avoid contact with inlet water temperatures higher than 125° Fahrenheit (51° Celsius) and hot surfaces.</b></p>	
W748	

Mixing Valve Flow Rates		
Pressure (psi)	HOT liters per minute (gallons per minute)	COLD liters per minute (gallons per minute)
20	6 (1.6)	9.4 (2.5)
40	8.2 (2.2)	13 (3.4)
60	9.9 (2.6)	14.5 (3.8)
100	9.6 (2.5)	15.9 (4.2)
120	9.8 (2.6)	15.9 (4.2)

Water pressure must be a minimum of 20 to a maximum of 120 pounds per square inch (138 to 827 kPa) static pressure measured at the faucet.

**NOTE: Water pressure under 20 pounds per square inch (138 kPa) will cause an extended fill time in the washer and may not properly flush out the detergent dispenser.**

Turn on the water faucets and flush the lines for approximately two minutes to remove any foreign material that could clog the screens in the water mixing valve.

**NOTE: When installing in newly constructed or renovated buildings, it is very important to flush the lines since build-up may have occurred during construction.**

#### Connecting Hoses

Remove the two plain rubber washers and two filter screens from the accessories bag. Install them into each end of the fill hoses as shown in *Figure 4*. The screen must be facing outward.

Screw hose couplings with the filter screens onto the water faucets until they are finger-tight. Then, using a pliers, screw approximately 1/4 turn.

Screw hose couplings from other end of hoses onto the water mixing valve until they are finger-tight. Then, using a pliers, screw approximately 1/4 turn. Refer to *Figure 5*.

**IMPORTANT: Do not cross thread or overtighten couplings. This will cause them to leak.**

Turn water on and check for leaks. If leaks are found, turn off the water, unscrew hoses and reinstall them until there are no leaks.

**IMPORTANT: Turn off water supply whenever there will be an extended period of non-use.**

**NOTE: Longer fill hoses are available (as optional equipment at extra cost) if the hoses supplied with the washer are not long enough for the installation. Order hoses as follows:**

- No. 20617 Fill Hose 8 feet (2.44 m)
- No. 20618 Fill Hose 10 feet (3.05 m)

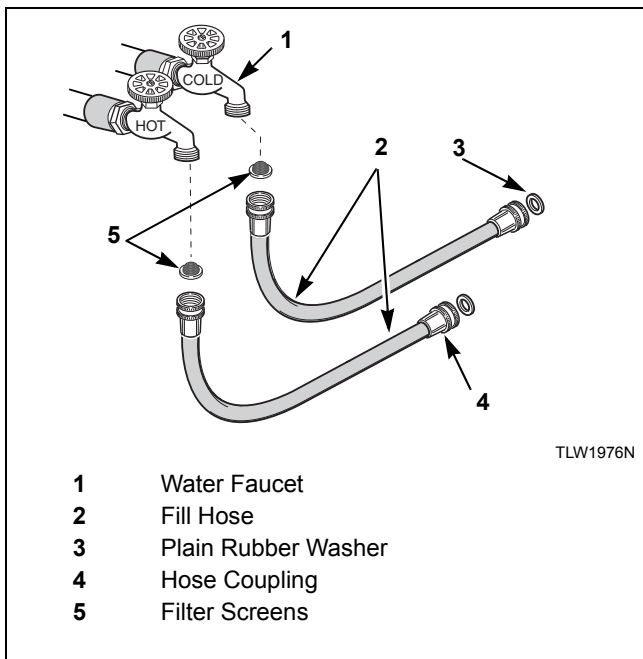


Figure 4

**IMPORTANT: Hoses and other natural rubber parts deteriorate after extended use. Hoses may develop cracks, blisters or material wear from the temperature and constant high pressure they are subject to.**

**All hoses should be checked on a monthly basis for any visible signs of deterioration. Any hose showing the signs of deterioration listed above should be replaced immediately. All hoses should be replaced every five years.**

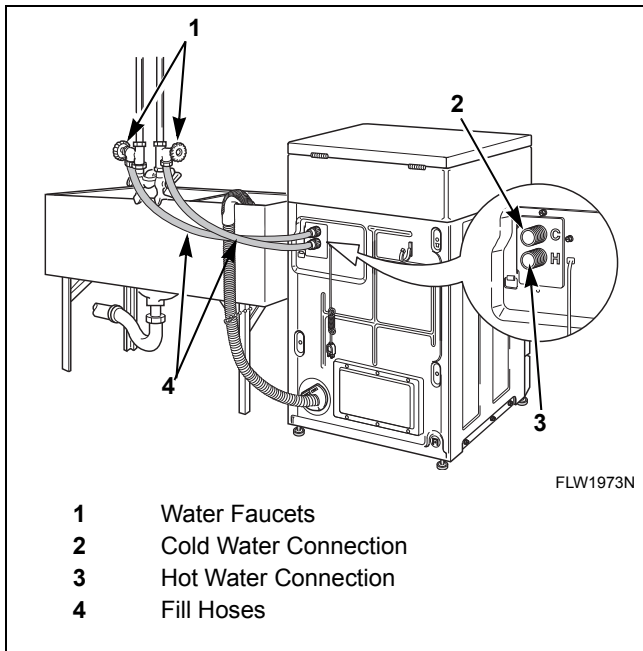


Figure 5

### Step 4: Connect Drain Hose to Drain Receptacle

Remove the drain hose from its shipping position on the rear of the washer by unhooking the hose from the retainer clamp and by removing the shipping tape.

Install the drain hose into the drain receptacle (standpipe, wall or laundry tub) following the instructions below.

**IMPORTANT: Drain receptacle must be capable of handling a minimum of 1-1/4 inch (3.2 cm) outside diameter drain hose.**

Drain Flow Rate	
Drain Height	Flow Rate liters per minute (gallons per minute)
0.9 m (3 ft.)	31 (8.19)
1.5 m (5 ft.)	27.5 (7.27)
1.8 m (6 ft.)	23.9 (6.31)
2.1 m (7 ft.)	18.5 (4.89)
2.4 m (8 ft.)	10.6 (2.79)

### Standpipe Installation:

Place the drain hose into the standpipe.

Remove the beaded strap from accessories bag and place around standpipe and drain hose and tighten strap to hold hose to standpipe. Refer to Figure 6. This will prevent the drain hose from dislodging from drain receptacle during use.

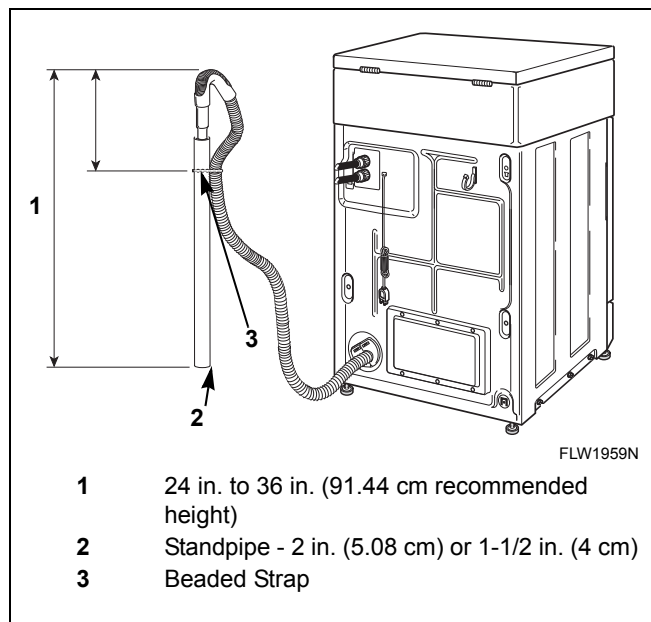


Figure 6

### Wall Installation:

For installations of this type, the drain hose MUST be secured to one of the fill hoses using the beaded strap from accessories bag. Refer to *Figure 7*.

**NOTE: End of drain hose must not be below 24 in. (61 cm).**

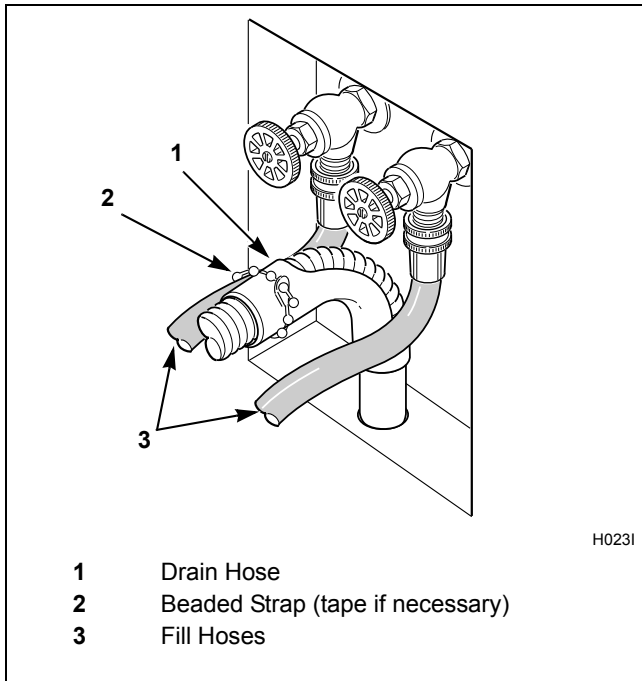


Figure 7

### Laundry Tub Installation:

For this type of installation, the drain hose MUST be secured to the stationary tub to prevent hose from dislodging during use. Refer to *Figure 8*. Use the beaded strap (supplied in accessories bag) to secure hose.

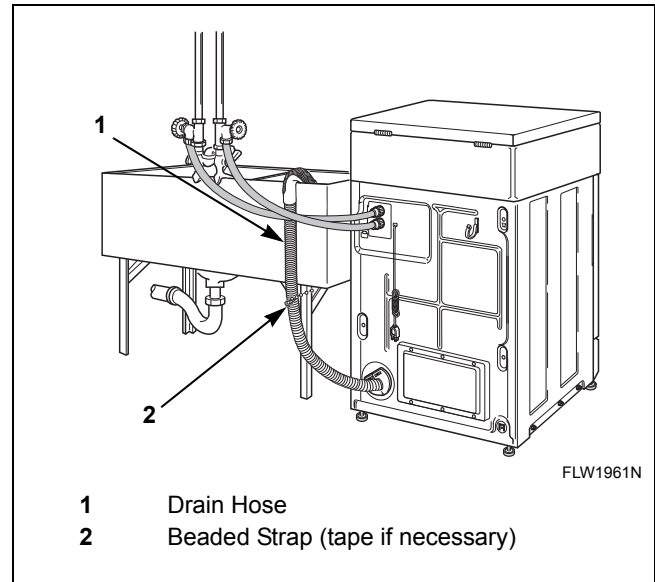


Figure 8

## Step 5: Remove the Shock Sleeves and Shipping Brace

1. Remove panel.

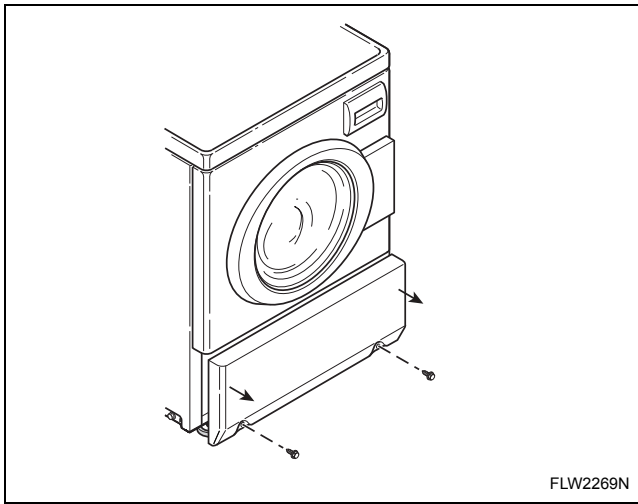


Figure 9

2. Remove brace. Five bolts secure brace to machine. For easier removal, remove in order shown.

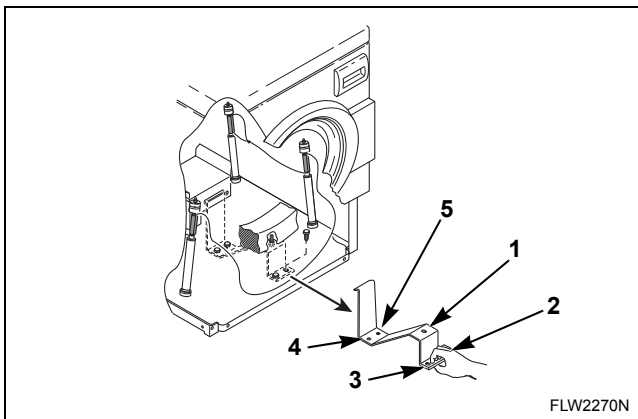


Figure 10

3. Remove shock sleeves.

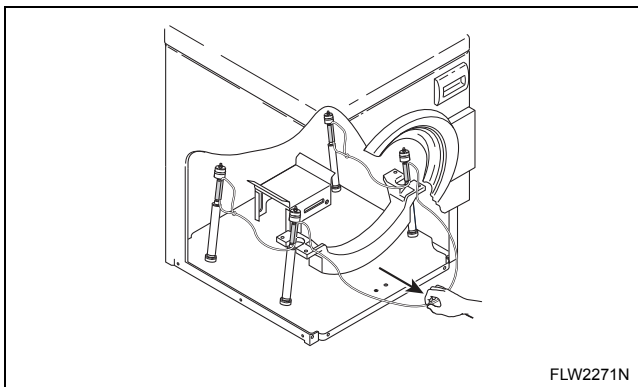


Figure 11

4. Replace panel.

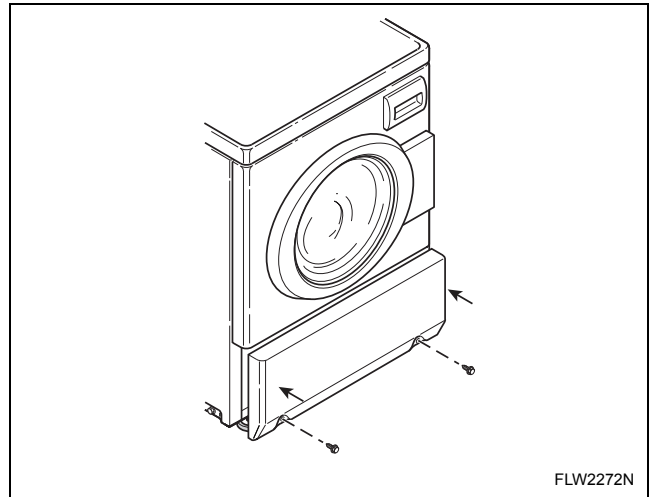


Figure 12

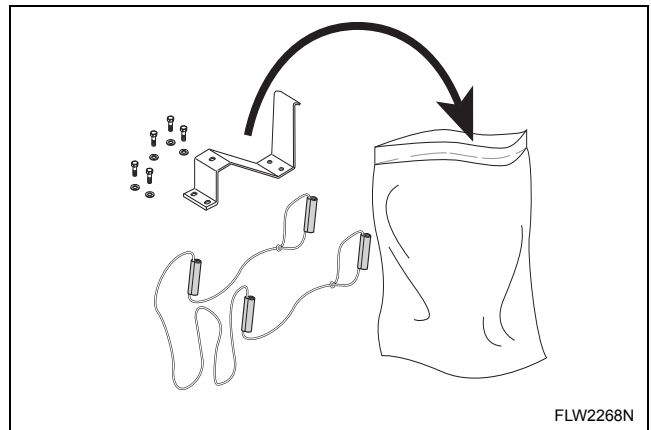


Figure 13

**IMPORTANT:** The shipping brace, bolts, lockwashers and shock sleeves should be saved and **MUST** be reinstalled whenever the unit is moved more than four feet. Do not lift or transport unit from front or without shipping materials installed. Refer to the User's Guide for proper instructions on reinstalling the shipping materials.

**IMPORTANT:** DO NOT tip washer more than 6 inches (152.4 mm) in any direction after shipping brace has been removed. Shock absorbers may separate and damage to washer may result. For leveling purposes, the washer may be tilted a maximum of 6 inches (152.4 mm) in any direction.

### Step 6: Wipe Out Inside of Washer Drum

Before using the washer for the first time, use an all-purpose cleaner, or a detergent and water solution, and a damp cloth to remove shipping dust from inside the drum.

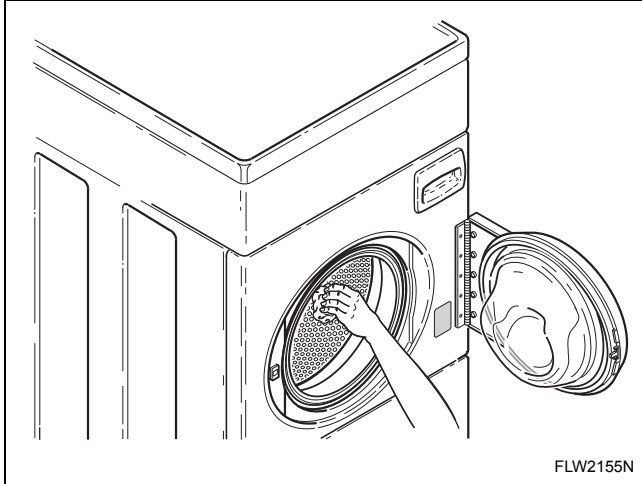


Figure 14

### Step 7: (Supply Injection Models Only) Connect External Supplies to Washer

**IMPORTANT: Undiluted chemical dripping can damage the washer.**

1. Remove two nozzles from accessories bag. Use either the 3/8 inch or 1/4 inch nozzles, depending on the diameter of the dispenser tubing used.
2. Attach nozzles to rear of machine. Connection point located on cabinet, above water mixing valve. Refer to *Figure 15*.
3. Connect supply hoses to nozzles and secure with hose clamps (obtain locally). Refer to *Figure 15*.

**NOTE: Hoses can be connected to either nozzle.**

4. Refer to supply injection system instructions and label inside washer junction box cover (*Figure 16*) for electrical connection.

Do not attempt to make supply injection electrical connections to points other than those provided specifically for that purpose by the factory.

5. Refer to supply injection system instructions for details on operation.

Supply Injection System	
Number of liquid supply connections (1–Detergent and 2–Softener)	2
Liquid supply connection size, in. (mm)	3/8 (9.52) or 1/4 (6.35)



### WARNING

**Wear eye and hand protection when handling chemicals; always avoid direct contact with raw chemicals. Read the manufacturer's directions for accidental contact before handling chemicals. Ensure an eye-rinse facility and an emergency shower are within easy reach. Check at regular intervals for chemical leaks.**

SW016



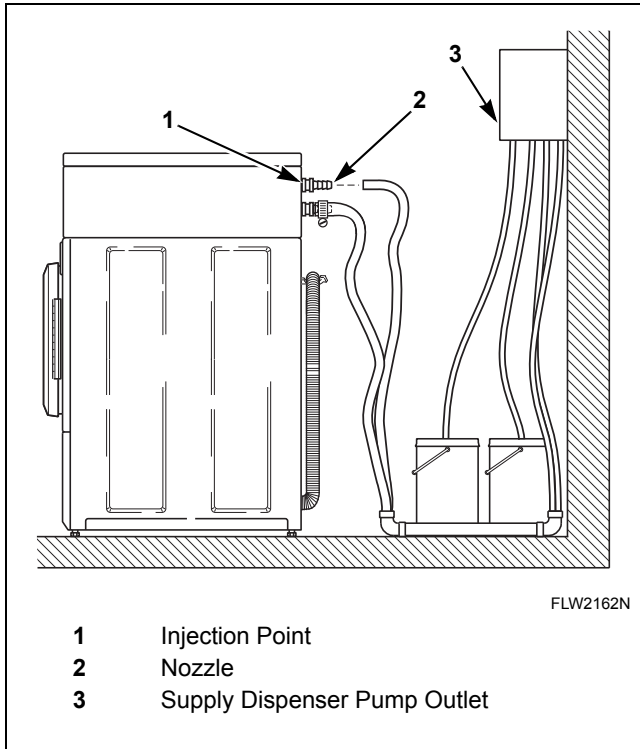


Figure 15

A junction box on the rear panel houses a terminal strip which furnishes supply output signals for the supply injection pumps. These are dry contacts. Voltage needs to be supplied. Refer to *Figure 16* for the injection interface label.

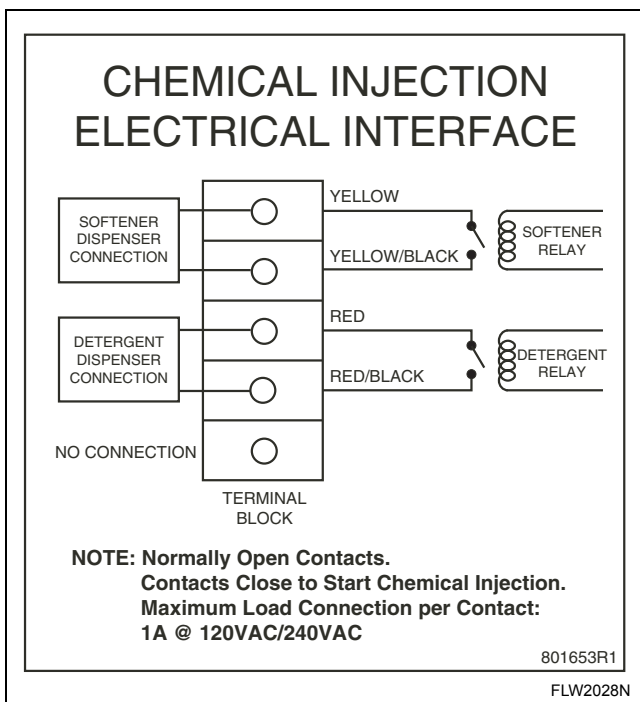


Figure 16

These terminals may be used to provide signals to the supply injection system but must not be used to provide power to the actual pump.

**Any injection system pump which requires 110 VAC must be powered by a separate external power source.**

### Control Function Test

The washer should be cleaned after the installation is complete. A function test should then be executed on the unloaded machine:

1. Check the power supply for such characteristics as correct voltage, phase, and cycles to be certain they are correct for the washer.
2. Open manual shut-off valves to the washer.
3. Apply power to the washer.

### Step 8: Plug in the Washer

Washer requires 120 Volt, 60 Hertz electrical supply and comes equipped with a 3-prong grounding plug. Refer to serial plate for specific electrical requirements.

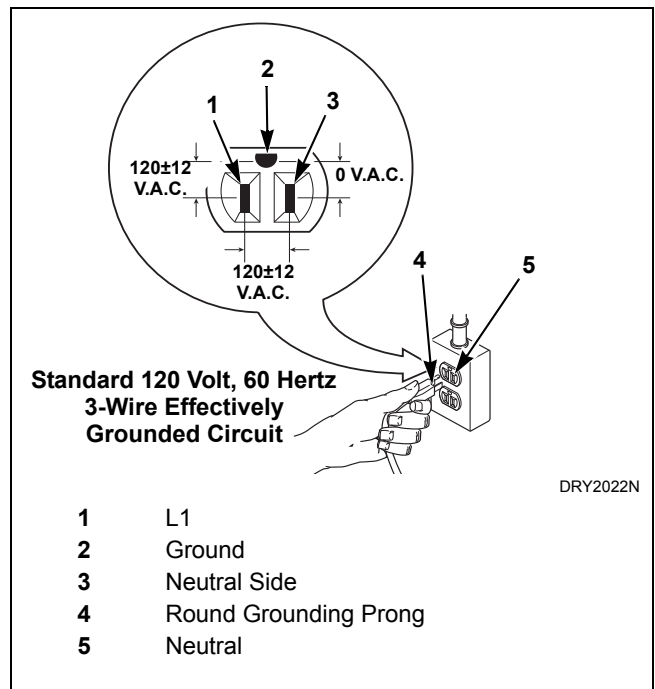



Figure 17


	<b>WARNING</b>
<p><b>To reduce the risk of fire, electric shock or personal injury, all wiring and grounding MUST conform with the latest edition of the National Electrical Code, ANSI/NFPA 70, and such local regulations as might apply. It is the customer's responsibility to have the wiring, fuses and circuit breakers installed by a qualified electrician to make sure adequate electrical power is available to the washer.</b></p>	
W518	

When plugging in the washer:

- DO NOT overload circuits.
- DO NOT use an extension cord.
- DO NOT use an adapter.
- DO NOT operate both a washer and gas dryer on the same circuit. Use separately fused 15 Amp circuits.

The washer is designed to be operated on a separate branch, polarized, three-wire, effectively grounded, 120 Volt, 60 Hertz, AC (alternating current) circuit protected by a **15 Amp fuse**, equivalent fusetron or circuit breaker.


The three-prong grounding plug on the power cord should be plugged directly into a polarized three-slot effectively grounded receptacle rated 110/120 Volts AC (alternating current) 15 Amps. Refer to *Figure 17* to determine correct polarity of the wall receptacle.

	<b>WARNING</b>
<p><b>To reduce the risk of an electric shock or fire, DO NOT use an extension cord or an adapter to connect the washer to the electric power source.</b></p>	
W082	

### Grounding Information


The washer must be grounded. In the event of malfunction or breakdown, grounding will reduce the risk of electric shock by providing a path of least resistance for electric current.

The washer is equipped with a cord having an equipment-grounding conductor and a 3-prong grounding plug. The plug must be plugged into an appropriate outlet that is properly installed and grounded in accordance with all local codes and ordinances.

	<b>WARNING</b>
<p><b>Improper connection of the equipment-grounding conductor can result in a risk of electric shock. Check with a qualified electrician or service person if you are in doubt as to whether the washer is properly grounded.</b></p>	
W216	

Do not modify the plug provided with the washer – if it will not fit the outlet, have a proper outlet installed by a qualified electrician.

**NOTE: Have a qualified electrician check the polarity of the wall receptacle. If a voltage reading is measured other than that in *Figure 17*, the qualified electrician should correct the problem.**

	<b>WARNING</b>
<p><b>This unit is equipped with a three-prong (grounding) plug for your protection against shock hazard and should be plugged directly into a properly grounded three-prong receptacle. Do not cut or remove the grounding prong from this plug.</b></p>	
W213	

**NOTE: The wiring diagram is located behind the control panel, inside the control cabinet.**

### Step 9: Check Installation

Refer to *Installer Checklist* on the back cover of this manual and make sure that washer is installed correctly.

Run washer with a test load to make sure it is operating properly and properly leveled.

- a. Put about six pounds of laundry (four bath towels and three jeans) into washer.
- b. Close door.
- c. Select a Spin Only cycle and press Start.
- d. When washer spins at high speed, verify that it is stable.
- e. If it is not, after cycle is complete, refer to Step 2 and readjust leveling legs.



# Installer Checklist

## Fast Track for Installing the Washer

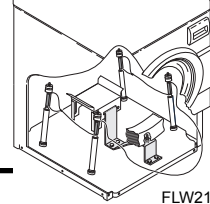
(Refer to the manual for more detailed information)

**1** • Position Washer Near Installation Area.

CHECK

**5** • Remove the Shock Sleeves and Shipping Brace.

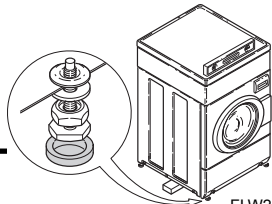
CHECK



FLW2124N

**2** • Position and Level the Washer.

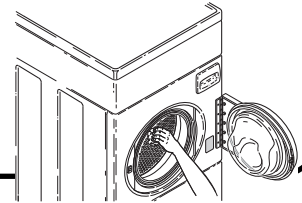
CHECK



FLW2154N

**6** • Wipe Out Inside of Washer Drum

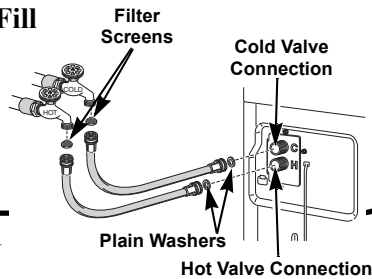
CHECK



FLW2155N

**3** • Connect Fill Hoses.

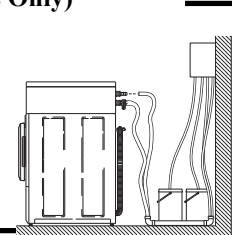
CHECK



FLW2054N

**7** (Supply Injection Models Only)  
• Connect External Supplies to Washer

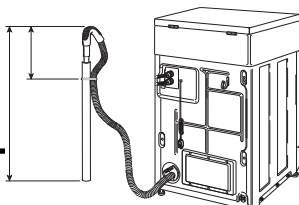
CHECK



FLW2162N

**4** • Connect Drain Hose to Drain Receptacle.

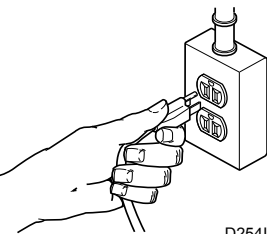
CHECK



FLW1959N

**8** • Plug in the Washer.

CHECK



D254I