

# SPEED QUEEN MULTI-HOUSING

## QUANTUM® GOLD COIN DROP INSTALLED, PREP FOR COIN, PREP FOR CARD COMMERCIAL STACK WASHER/DRYER OVERALL HEIGHT OF 76.5" (1943 mm)

### Built for Reliable Performance

Speed Queen's stack washer/dryer brings an innovative stacked concept that takes up half the floor space that a conventional washer and dryer does when situated side by side. The freestanding softmount design can be installed on all floor types or levels. Both washer and dryer have the same hookups and connections as a standard washer and dryer. No additional plumbing or electrical change is needed. Speed Queen's stack washer/dryer combines heavy-duty construction with reliable operation proven to stand the test of time. They're designed with less moving parts for one reason: so you'll face fewer maintenance problems and less wear and tear down the road. Front load products have met every design standard to be 100% ADA compliant.

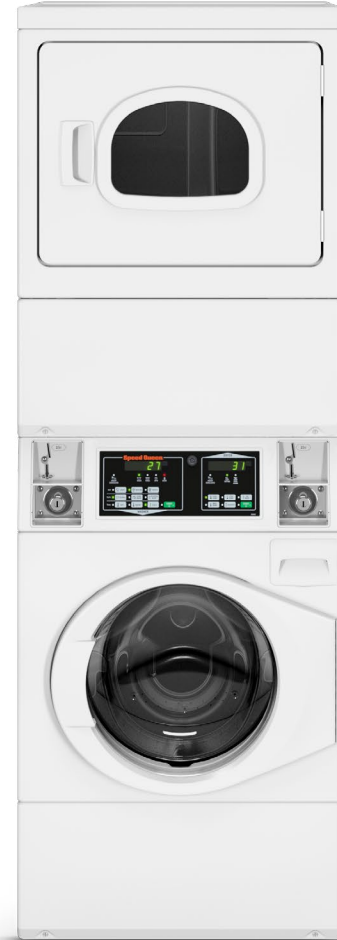
- Integrated meter case
- Large capacity meter case standard
- Wash Alert™ capability

#### WASHER (ADA Compliant)

- Rugged suspension system
- Industry leading 1200 RPM spin speed exerts 440 G-force extraction
- Durable stainless steel washtub
- Four-compartment soap dispenser
- Extra-wide 15.5" door opening and 180° door swing

#### DRYER

- Upfront lint filter easy to clean
- Industry's largest door opening 2.06 sq. ft. (1914 cm<sup>2</sup>)
- Quiet, efficient blower system



Washer Control

Dryer Control

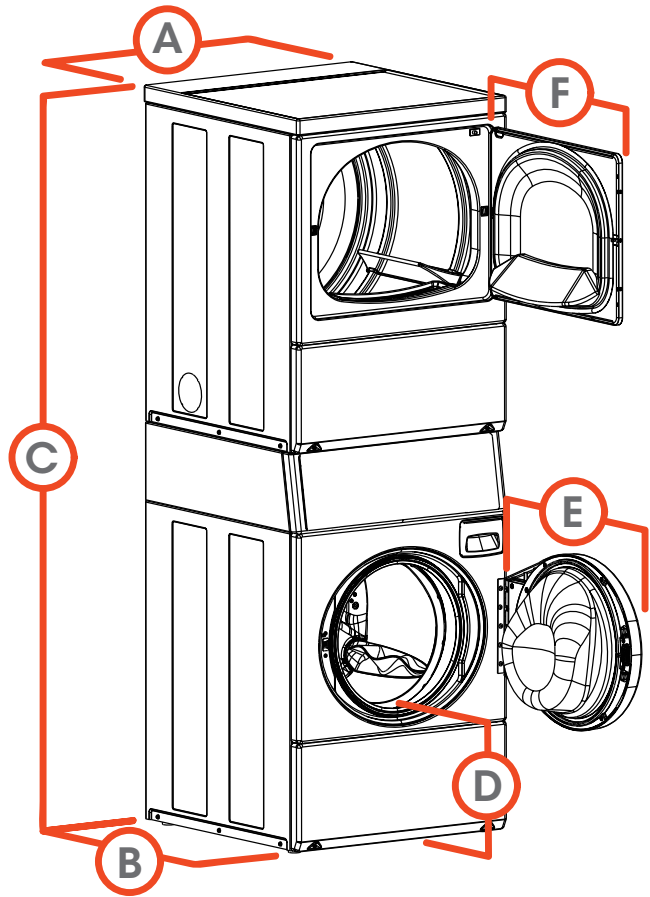
The cutting edge Quantum control system from Speed Queen gives you the freedom to manage laundry your way with the power to achieve unmatched levels of revenue. Quantum Gold provides users with additional cycle choices while offering new options to help lower operating costs and incorporates tools and options to increase revenue.

SPECIFICATIONS

# COMMERCIAL STACK WASHER/DRYER

OVERALL HEIGHT OF 76.5" (1943 mm)

|  |  |
|--|--|
| MODEL - see below for all models and activation available                                |  |
| CONTROL OPTION   | Quantum Gold   |
| COLOR  | White  |
| CAPACITY - lb (kg)   | Washer 21.5 (9.5)<br>Dryer 18 (8.2)                              |
| OVERALL WIDTH - in (mm)  | 26.875 (683)   |
| OVERALL DEPTH - in (mm)  | 27.73 (704)  |
| OVERALL HEIGHT - in (mm)   | 76.5 (1943)  |
| CYLINDER VOLUME cu. ft. (liters)   | Washer 3.42 (96.8)<br>Dryer 7.0 (198)                            |
| MOTOR SIZE - HP (kW)   | 0.9 (0.67)   |
| TYPE OF GAS (GAS MODELS ONLY)  | Natural gas  |
| WATER CONSUMPTION PER CYCLE - g (liter)  | 13.68 (51.78)  |
| IWF (WATER FACTOR) - gal/ft <sup>3</sup> (liters/liter/cycle)                            | 4.0 (0.53)   |
| MEF <sub>12</sub> (Modified Energy Factor) ft <sup>3</sup> /kWh/cycle (Liters/kWh/cycle) | 2.20 (62.3)  |
| AVAILABLE WATER TEMPERATURES   | Hot, Warm, Cold  |
| AVAILABLE CYCLES   | Washer Light, Medium, Heavy, Normal, Perm Press, Delicates/Bulky |
|  | Dryer High, Medium, Low, Delicate, No Heat                       |
| AIR OUTLET DIAMETER - in (mm)  | 4 (102)  |
| EXHAUST AIRFLOW - cfm (liters/sec)   | 220 (105)  |
| ELECTRICAL REQUIREMENTS  | Electric 120/240/60/1-30 amp                                     |
|  | Gas 120/60/1-15 amp  |
| HEATING ELEMENT  | Electric 5350W, 240V<br>4750W, 208V                              |
|  | Gas 25,000 Btu   |
| NET WEIGHT - lb (kg)   | 385 (175)  |
| SHIPPING WEIGHT - lb (kg)  | 417 (189)  |
| SHIPPING DIMENSIONS APPROX. - in (mm)  | Width 34 (864)   |
|  | Depth 30 (762)   |
|  | Height 80 (2032)   |
| AGENCY APPROVALS   | Electric cULus   |
|  | Gas cCSAus   |




|                                   |              |
|-----------------------------------|--------------|
| A. OVERALL WIDTH - in (mm)        | 26.875 (683) |
| B. OVERALL DEPTH - in (mm)        | 27.73 (704)  |
| C. OVERALL HEIGHT - in (mm)       | 76.5 (1943)  |
| D. FLOOR TO DOOR OPENING -in (mm) | 14.5 (368)*  |
| E. DOOR SWING - in (mm)           | 23.5 (597)   |


\* For ADA compliance turn legs out from base 0.5 inches

| MODELS          | VOLTAGE/FREQ/PH | DRAIN    | ACTIVATION |
|-----------------|-----------------|----------|------------|
| STENCFSP175TW01 | 120/240/60/1    | Electric | Pump       |
| STGNCFSP115TW01 | 120/60/1        | Gas      | Pump       |
| STENXFSP175TW01 | 120/240/60/1    | Electric | Pump       |
| STGNXFSP115TW01 | 120/60/1        | Gas      | Pump       |
| STENYFSP175TW01 | 120/240/60/1    | Electric | Pump       |
| STGNYFSP115TW01 | 120/60/1        | Gas      | Pump       |


Coin Drop Installed



Prep for Coin



Prep for Card



Electric dryers come equipped for 240/60/1 operation. They can be field converted to operate on 208/60/1 with optional 61928 conversion kit. Gas dryers can be field converted for operation on LP gas with optional 458P3 conversion kit.

For the most accurate information, the installation guide should be used for all design and construction purposes. Due to continuous product improvements, design and specifications subject to change without notice. The quality management system of Alliance Laundry Systems' Ripon facility has been registered to ISO 9001:2008.



by Alliance Laundry Systems

[speedqueencommercial.com/multihousing](http://speedqueencommercial.com/multihousing)

AM18-0055 • ©2018 Alliance Laundry Systems LLC

SPECIFICATIONS QUANTUM® COMMERCIAL STACK WASHER/DRYER (OVERALL HEIGHT OF 76.5" (1943 mm))