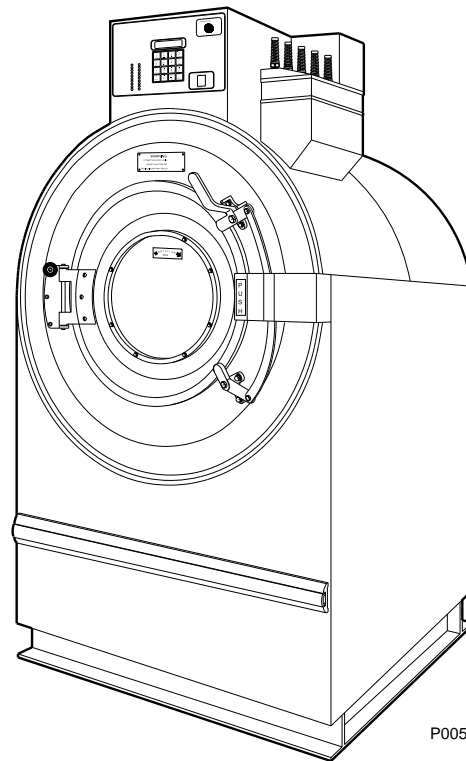


Washer-Extractors

Pocket Hardmount



P005I

Basic Installation/Operation

Keep These Instructions for Future Reference.

(If this machine changes ownership, this manual must accompany machine.)



www.comlaundry.com

Part No. F232156R9
June 2010

Table of Contents


- Safety Information**..... 2
- Explanation of Safety Messages..... 2
- Important Safety Instructions 2
- Safety Decals 4
- Operator Safety 5
- Installation**..... 6
- General Specifications 6
 - UW UniLinc and M30 Control Models 6
 - UW A-Control, Variable-Speed Models..... 9
 - UW P-Control, Variable-Speed Models 11
 - UW 2 Speed Models with P-Control, S-Control,
Mechanical Timer or B-Control 13
 - UW 3 Speed Models with P-Control or S-Control 15
 - UniLinc and M30 Control Models..... 17
 - UWAV Models 20
 - UWPV Models..... 22
 - UW 2 Speed Models with P-Control, S-Control,
Mechanical Timer or B-Control 25
 - UW 3 Speed Models with P-Control or S-Control 27
- Operation**..... 29
- UW Models With UniLinc Control 29
- UW Models With M30 Control 31
- Models Equipped with Both Steam and Electric Heating
(UniLinc and M30 Controls) 33
- UW Models with S-Control..... 34
- UW Models with P-Control..... 36
 - Pre-Operating Instructions 36
 - Operating Instructions..... 36
- UW Models with A-Control 39
- UW Models with B-Control 41
- Disposal of Unit**..... 43


© Copyright 2010, Alliance Laundry Systems LLC
 All rights reserved. No part of the contents of this book may be reproduced or transmitted in any form or by any means without the expressed written consent of the publisher.


Safety Information

Explanation of Safety Messages

Precautionary statements (“DANGER,” “WARNING,” and “CAUTION”), followed by specific instructions, are found in this manual and on machine decals. These precautions are intended for the personal safety of the operator, user, servicer, and those maintaining the machine.

	DANGER
DANGER indicates the presence of a hazard that will cause severe personal injury, death, or substantial property damage if the danger is ignored.	

	WARNING
WARNING indicates the presence of a hazard that can cause severe personal injury, death, or substantial property damage if the warning is ignored.	


	CAUTION
CAUTION indicates the presence of a hazard that will or can cause minor personal injury or property damage if the caution is ignored.	

Additional precautionary statements (“IMPORTANT” and “NOTE”) are followed by specific instructions.

IMPORTANT: The word “IMPORTANT” is used to inform the reader of specific procedures where minor machine damage will occur if the procedure is not followed.

NOTE: The word “NOTE” is used to communicate installation, operation, maintenance or servicing information that is important but not hazard related.

Important Safety Instructions


	WARNING
To reduce the risk of fire, electric shock, serious injury or death to persons when using your washer, follow these basic precautions:	
W023	

1. Read all instructions before using the washer.
2. Refer to the GROUNDING INSTRUCTIONS in the INSTALLATION manual for the proper grounding of the washer.
3. Do not wash textiles that have been previously cleaned in, washed in, soaked in, or spotted with gasoline, kerosene, waxes, cooking oils, dry-cleaning solvents, or other flammable or explosive substances as they give off vapors that could ignite or explode.
4. Do not add gasoline, dry-cleaning solvents, or other flammable or explosive substances to the wash water. These substances give off vapors that could ignite or explode.
5. Under certain conditions, hydrogen gas may be produced in a hot water system that has not been used for two weeks or more. HYDROGEN GAS IS EXPLOSIVE. If the hot water system has not been used for such a period, before using a washing machine or combination washer-dryer, turn on all hot water faucets and let the water flow from each for several minutes. This will release any accumulated hydrogen gas. The gas is flammable, do not smoke or use an open flame during this time.
6. Do not allow children to play on or in the washer. Close supervision of children is necessary when the washer is used near children. This is a safety rule for all appliances.
7. Before the washer is removed from service or discarded, remove the door to the washing compartment.
8. Do not reach into the washer if the wash drum is moving.


9. Do not install or store the washer where it will be exposed to water and/or weather.
10. Do not tamper with the controls.
11. Do not repair or replace any part of the washer, or attempt any servicing unless specifically recommended in the user-maintenance instructions or in published user-repair instructions that the user understands and has the skills to carry out.
12. To reduce the risk of an electric shock or fire, DO NOT use an extension cord or an adapter to connect the washer to the electrical power source.
13. Use washer only for its intended purpose, washing textiles.
14. Never wash machine parts or automotive parts in the machine. This could result in serious damage to the basket.
15. ALWAYS disconnect the washer from electrical supply before attempting any service. Disconnect the power cord by grasping the plug, not the cord.
16. Install the washer according to the INSTALLATION INSTRUCTIONS. All connections for water, drain, electrical power and grounding must comply with local codes and be made by licensed personnel when required.
17. To reduce the risk of fire, textiles which have traces of any flammable substances such as vegetable oil, cooking oil, machine oil, flammable chemicals, thinner, etc., or anything containing wax or chemicals such as in mops and cleaning cloths, must not be put into the washer. These flammable substances may cause the fabric to catch on fire by itself.
18. Do not use fabric softeners or products to eliminate static unless recommended by the manufacturer of the fabric softener or product.
19. Keep washer in good condition. Bumping or dropping the washer can damage safety features. If this occurs, have washer checked by a qualified service person.
20. If the supply cord is damaged, it must be replaced by a special cord or assembly available from the manufacturer or its service agent.
21. Be sure water connections have a shut-off valve and that fill hose connections are tight. CLOSE the shut-off valves at the end of each wash day.
22. Loading door MUST BE CLOSED any time the washer is to fill, tumble or spin. DO NOT bypass the loading door switch by permitting the washer to operate with the loading door open.
23. Always read and follow manufacturer's instructions on packages of laundry and cleaning aids. Heed all warnings or precautions. To reduce the risk of poisoning or chemical burns, keep them out of the reach of children at all times (preferably in a locked cabinet).
24. Always follow the fabric care instructions supplied by the textile manufacturer.
25. Never operate the washer with any guards and/or panels removed.
26. DO NOT operate the washer with missing or broken parts.
27. DO NOT bypass any safety devices.
28. Failure to install, maintain, and/or operate this washer according to the manufacturer's instructions may result in conditions which can produce bodily injury and/or property damage.


NOTE: The WARNINGS and IMPORTANT SAFETY INSTRUCTIONS appearing in this manual are not meant to cover all possible conditions and situations that may occur. Common sense, caution and care must be exercised when installing, maintaining, or operating the washer.


Any problems or conditions not understood should be reported to the dealer, distributor, service agent or the manufacturer.

	WARNING
<p>This machine must be installed, adjusted, and serviced by qualified electrical maintenance personnel familiar with the construction and operation of this type of machinery. They must also be familiar with the potential hazards involved. Failure to observe this warning may result in personal injury and/or equipment damage, and may void the warranty.</p>	
<small>SW004</small>	

IMPORTANT: Ensure that the recommended clearances for inspection and maintenance are provided. Never allow the inspection and maintenance space to be blocked.

	WARNING
<p>Install the machine on a level floor of sufficient strength. Failure to do so may result in conditions which can produce serious injury, death and/or property damage.</p>	
<small>W703</small>	

	CAUTION
<p>Be careful around the open door, particularly when loading from a level below the door. Impact with door edges can cause personal injury.</p>	
<small>SW025</small>	

	WARNING
<p>Never touch internal or external steam pipes, connections, or components. These surfaces can be extremely hot and will cause severe burns. The steam must be turned off and the pipe, connections, and components allowed to cool before the pipe can be touched.</p>	
<small>SW014</small>	

Safety Decals

Safety decals appear at crucial locations on the machine. Failure to maintain legible safety decals could result in injury to the operator or service technician.

To provide personal safety and keep the machine in proper working order, follow all maintenance and safety procedures presented in this manual. If questions regarding safety arise, contact the manufacturer immediately.

Use manufacturer-authorized spare parts to avoid safety hazards.

Operator Safety


	WARNING
<p>NEVER insert hands or objects into basket until it has completely stopped. Doing so could result in serious injury.</p>	
<small>SW012</small>	

To ensure the safety of machine operators, the following maintenance checks must be performed daily:

1. Prior to operating the machine, verify that all warning signs are present and legible. Missing or illegible signs must be replaced immediately. Make certain that spares are available.
2. Check door interlock before starting operation of the machine:
 - a. Attempt to start the machine with the door open. The machine should not start with the door open.
 - b. Close the door without locking it and attempt to start the machine. The machine should not start with the door unlocked.
 - c. Close and lock the door and start a cycle. Attempt to open the door while the cycle is in progress. The door should not open.

If the door lock and interlock are not functioning properly, call a service technician.
3. Do not attempt to operate the machine if any of the following conditions are present:
 - a. The door does not remain securely locked during the entire cycle.
 - b. Excessively high water level is evident.
 - c. Machine is not connected to a properly grounded circuit.

Do not bypass any safety devices in the machine.

	WARNING
<p>Never operate the machine with a bypassed or disconnected balance system. Operating the machine with severe out-of-balance loads could result in personal injury and serious equipment damage.</p>	
<small>SW039</small>	

Installation

General Specifications

UW UniLinc and M30 Control Models

Refer to *Table 1*.

Specifications	35	60	80	100	125	150
Overall Dimensions						
Overall width, in (mm)	33.375 (848) (Models through 5/31/09) 32.5 (826) (Models starting 6/1/09)	36.625 (930)	41.5 (1054)	41.5 (1054)	48 (1219)	50.25 (1277)
Overall height, in (mm)	55.5 (1410)	64.5 (1638)	68.5 (1740)	68.5 (1740)	72 (1829)	79 (2007)
Overall depth, in (mm)	43.625 (1108) (Variable-speed models through 5/31/09) 38.25 (972) (2-speed models through 5/31/09) 44 (1118) (All models starting 6/1/09)	45 (1143)	51.5 (1308)	54.5 (1384)	58 (1473)	63 (1600)
Weight And Shipping Information						
Net weight, lb (kg)	1030 (468) (Variable-speed models) 750 (341) (2-speed models)	1300 (590) (Variable-speed models) 1136 (515) (2-speed models)	1730 (785)	1770 (805)	2420 (1100)	2970 (1347)
Basket Weight, lb (kg)	150 (68) (Variable-speed models) 74 (34) (2-speed models)	200 (92)	330 (150)	360 (163)	550 (250)	572 (260)*
Domestic shipping weight, lb (kg)	1085 (493) (Variable-speed models) 810 (367) (2-speed models)	1340 (608) (Variable-speed models) 1175 (533) (2-speed models)	1795 (814)	1835 (832)	2525 (1148)	3022 (1371)
Domestic shipping volume, ft ³ (m ³)	66 (1.9)	84 (2.4)	119 (3.4)	119 (3.4)	166 (4.7)	172 (4.87)
Domestic shipping dimensions, WxDxH, in (mm)	38x47x64 (970x1200x1630)	40x49x74.5 (1016x1245x1892)	44x60.5 x77.25 (1118x1537x1962)	44x60.5x77.25 (1118x1537x1962)	61.5x60x77.75 (1560x1520x1980)	54.5x69x79 (139x176x201)
Export shipping weight, lb (kg)	1150 (522) (Variable-speed models) 910 (413) (2-speed models)	1464 (664) (Variable-speed models) 1300 (590) (2-speed models)	1990 (903)	2030 (921)	2800 (1270)	3350 (1520)
Export shipping volume, ft ³ (m ³)	78 (2.2)	96 (2.7)	134 (3.8)	134 (3.8)	184 (5.3)	220 (6.3)
Export shipping dimensions, WxDxH, in (mm)	41x50x65.5 (1050x1280x1670)	43x52.125x74.5 (1092x1324x1892)	47x63.5x77.25 (1194x1613x1962)	47x63.5x77.25 (1194x1613x1962)	63.5x63x80 (1620x1610x2030)	61.5x71x87 (1562x1804x2210)

* Basket Only

Table 1 (continued)

Table 1 (continued)

Specifications	35	60	80	100	125	150
Wash Cylinder Information						
Cylinder diameter, in (mm)	26.25 (667)	32 (813)	36 (914)	36 (914)	42 (1067)	43 (1093)
Cylinder depth, in (mm)	18.375 (467)	20 (508)	21 (533)	27 (686)	24 (610)	27.8125 (706)
Cylinder volume, ft ³ (l)	5.76 (163)	9.31 (264)	12.4 (350)	15.9 (450)	19.2 (544)	23.4 (662)
Perforation size, in (mm)	0.1875 (4.8)	0.1875 (4.8)	0.1875 (4.8)	0.1875 (4.8)	0.1875 (4.8)	0.1875 (4.8)
Perforation open area, %	18	22	23	23	24	21.5
Door Opening Information						
Door opening size, in (mm)	14.375 (365)	17.5 (445)	17.5 (445)	17.5 (445)	20 (508)	24.75 (629)
Height of door bottom above floor, in (mm)	23.75 (603)	28.25 (718)	29 (737)	29 (737)	29 (737)	32 (813)
Drive Train Information						
Number of motors in drive train	1	1	1	1	1	1
Drive motor power, hp (kW) (variable-speed models)	5.0 (3.7)	5.0 (3.7)	7.5 (5.6)	7.5 (5.6)	10 (7.5)	10 (7.5)
Drive motor power, hp (kW) (2-speed models)	2.0 (1.3)	3.0 (2.2)	N/A	N/A	N/A	N/A
Cylinder Speeds / Centrifugal Force Data						
1/2 Wash/reverse, rpm (g) (Variable-speed models only)	26 (.25)	26 (.31)	26 (.35)	26 (.35)	26 (.40)	23 (.32)
Wash/reverse, rpm (g)	42 (.66) (UniLinc Models) 44 (.73) (M30 Variable-speed models) 50 (.95) (2-speed models)	40 (.73) (Variable-speed models) 44 (.88) (2-speed models)	40 (0.8)	40 (0.8)	37 (0.8)	36 (0.8)
Distribution, rpm (g) (Variable-speed models only)	83 (2.57)	71 (2.3)	73 (2.57) (UniLinc Models) 70 (2.5) (M30 Models)	70 (2.50)	62 (2.29)	61 (2.29)
Very Low extract, rpm (g) (Variable-speed models only)	401 (60)	364 (60)	343 (60)	343 (60)	317 (60)	314 (60)
Low extract rpm (g) (Variable-speed models only)	568 (120)	514 (120)	485 (120)	485 (120)	449 (120)	444 (120)
Medium extract, rpm (g) (Variable-speed models only)	695 (180)	630 (180)	594 (180)	594 (180)	550 (180)	543 (180)
High extract, rpm (g)	803 (240) (Variable-speed models) 504 (95) (2-speed models)	727 (240) (Variable-speed models) 465 (98) (2-speed models)	686 (240)	686 (240)	565 (190)	627 (240)
Very High extract, rpm (g) (Variable-speed models only)	898 (300)	813 (300)	766 (300)	766 (300)	579 (200)	701 (300)
Balance Detection						
Vibration switch installed	STD (Variable-speed models) N/A (2-speed models)	STD (Variable-speed models) N/A (2-speed models)	STD	STD	STD	STD

Table 1 (continued)

Basic Installation/Operation

Table 1 (continued)

Specifications		35	60	80	100	125	150
Direct Steam Heating (Optional)							
Steam inlet connection size, in (mm)		0.5 (13)	0.5 (13)	0.5 (13)	0.5 (13)	0.75 (19)	0.75 (19)
Number of steam inlets		1	1	1	1	1	1
Steam required to raise bath temperature 10°F, lb (10°C, kg)	LOW	2.1 (1.5)	3.3 (2.4)	4.6 (3.3)	5.7 (4.1)	6.7 (4.9)	8.3 (6.0)
	MED	2.3 (1.7)	3.7 (2.6)	5.2 (3.8)	6.5 (4.7)	7.8 (5.6)	9.5 (6.9)
	HIGH	2.7 (1.9)	4.1 (2.9)	6.1 (4.4)	7.6 (5.5)	9.1 (6.6)	11.1 (8.0)
Average consumption per cycle, BHP (kg)		1.4 (21.4)	2.1 (33.4)	3.1 (48.4)	3.8 (60.4)	4.6 (72.0)	5.8 (91.0)
Electrical Heating (Optional)							
Total electrical heating capacity, kW (N/A for 2-speed models)		15.6	27.4	41.2 (Q-Volt) 27.4 (N-Volt)	41.2 (Q-Volt) 27.4 (N-Volt)	N/A	N/A
Number of electrical heating elements		6	6	9	9	N/A	N/A
Electrical heating element size, kW		2.6	4.2	4.2	4.2	N/A	N/A
Time required to raise bath temperature 10°F, min (5°C, min)	LOW	2.4 (3.6)	2.4 (3.7)	2.2 (3.4)	2.8 (4.2)	N/A	N/A
	MED	2.7 (4.1)	2.7 (4.1)	2.5 (3.9)	3.2 (4.8)	N/A	N/A
	HIGH	3.1 (4.7)	3.0 (4.6)	3.0 (4.5)	3.7 (5.6)	N/A	N/A

Table 1

UW A-Control, Variable-Speed Models

Refer to *Table 2*.

UWAV Pocket Hardmount General Specifications						
Specifications	35	60	80	100	125	
Overall Dimensions						
Overall width, in. (mm)	32.5 (826)	36.625 (930)	41.5 (1054)	41.5 (1054)	48 (1219)	
Overall height, in. (mm)	55.5 (1410)	64.5 (1638)	65.5 (1740)	68.5 (1740)	72 (1829)	
Overall depth, in. (mm)	43.625 (1108)	45 (1143)	51.5 (1308)	54.5 (1384)	58 (1473)	
Weight and Shipping Information						
Net weight, lb. (kg)	750 (341)	1229 (559)	1640 (744)	1680 (762)	2211 (1005)	
Domestic shipping weight, lb. (kg)	800 (361)	1268 (575)	1705 (773)	1745 (792)	2525 (1148)	
Domestic shipping volume, ft. ³ (m ³)	1.9 (66)	2.4 (84)	3.4 (119)	3.4 (119)	4.7 (166)	
Domestic shipping dimensions, WxDxH, in. (mm)	38x47x64 (970x1200x1630)	40x49x74.5 (1016x1245x1892)	44x60.5x77.25 (1118x1537x1962)	44x60.5x77.25 (1118x1537x1962)	61.5x60x77.75 (1560x1520x1980)	
Export shipping weight, lb. (kg)	910 (413)	1392 (631)	1900 (863)	1940 (881)	2591 (1178)	
Export shipping volume, ft. ³ (m ³)	78 (2.2)	96 (2.7)	134 (3.8)	134 (3.8)	184 (5.3)	
Export shipping dimensions, WxDxH, in. (mm)	41x50x65.5 (1050x1280x1670)	43x52x72.5 (1092x1324x1892)	47x63.5x76 (1194x1613x1962)	47x63.5x76 (1194x1613x1962)	59x63x80 (1620x1610x2030)	
Wash Cylinder Information						
Cylinder diameter, in. (mm)	26.25 (667)	32 (813)	36 (914)	36 (914)	42 (1067)	
Cylinder depth, in. (mm)	18.375 (467)	20 (508)	21 (533)	27 (686)	24 (610)	
Cylinder volume, ft. ³ (l)	5.76 (163)	9.31 (264)	12.4 (350)	15.9 (450)	19.2 (544)	
Perforation size, in. (mm)	.1875 (4.8)	.1875 (4.8)	.1875 (4.8)	.1875 (4.8)	.1875 (4.8)	
Perforation open area, %	18	22	23	23	24	
Door Opening Information						
Door opening size, in. (mm)	14.375 (365)	17.5 (445)	17.5 (445)	17.5 (445)	20 (508)	
Height of door bottom above floor, in. (mm)	23.75 (603)	28.25 (718)	29 (737)	29 (737)	29 (737)	
Water Consumption						
Average water consumption per cycle, gal. (l)	HOT	45 (170)	61 (231)	90 (341)	106 (401)	114 (431)
	COLD	24 (91)	29 (110)	41 (155)	47 (178)	52 (197)
Average hot water used per hour, gal. (l)	78 (295)	102 (386)	139 (526)	161 (609)	168 (636)	
Power Consumption						
Average power used per cycle, kW/hr	0.18	0.28	0.40	0.40	0.48	
Average HVAC load, Btu/hr (kcal/hr)	800 (202)	950 (240)	1050 (265)	1150 (290)	1200 (302)	

Table 2 (continued)

Basic Installation/Operation

Table 2 (continued)

UWAV Pocket Hardmount General Specifications						
Specifications	35	60	80	100	125	
Drive Train Information						
Number of motors in drive train	1	1	1	1	1	
Drive motor power, hp (kW)	2.3 (1.7)	2.9 (2.2)	5.0 (3.7)	5.0 (3.7)	7.5 (5.6)	
Cylinder Speeds / Centrifugal Force Data						
1/2 Wash/reverse, RPM / g	26 / .25	26 / .31	26 / .35	26 / .35	26 / .40	
Wash/reverse, RPM / g	42 / .66	40 / .73	40 / .82	40 / .82	37 / .82	
Distribution, RPM / g	83 / 2.57	71 / 2.29	73 / 2.57	70 / 2.50	62 / 2.29	
High extract 1, RPM / g	329 / 40	297 / 40	280 / 40	280 / 40	260 / 40	
High extract 2, RPM / g	534 / 106	483 / 106	456 / 106	456 / 106	422 / 106	
High extract 3, RPM / g	656 / 160	594 / 160	560 / 160	560 / 160	518 / 160	
Balance Detection						
Vibration safety switch installed	N/A	STD	STD	STD	STD	
Safety switch gap setting, in. (mm)*	N/A	.25 (.010) NO-GO .20 (.008) GO	.25 (.010) NO-GO .20 (.008) GO	.25 (.010) NO-GO .20 (.008) GO	.20 (.008) NO-GO .15 (.006) GO	
Direct Steam Heating (Optional)						
Steam inlet connection size, in. (mm)	.5 (13)	.5 (13)	.5 (13)	.5 (13)	.75 (19)	
Number of steam inlets	1	1	1	1	1	
Steam required to raise bath temperature, 10°F, lb. (10°C, kg)	LOW	2.1 (1.5)	3.3 (2.4)	4.6 (3.3)	5.7 (4.1)	6.7 (4.9)
	MED	2.3 (1.7)	3.7 (2.6)	5.2 (3.8)	6.5 (4.7)	7.8 (5.6)
	HIGH	2.7 (1.9)	4.1 (2.9)	6.1 (4.4)	7.6 (5.5)	9.1 (6.6)
Average consumption per cycle, bhp (kg)	1.4 (21.4)	2.1 (33.4)	3.1 (48.4)	3.8 (60.4)	4.6 (72.0)	
Electrical Heating (Optional)						
Total electrical heating capacity, kW	15.6	25.2	37.8	37.8	50.4	
Number of electrical heating elements	6	6	9	9	12	
Electrical heating element size, kW	2.6	4.2	4.2	4.2	4.2	
Time required to raise bath temperature, 10°F, min. (10°C, min.)	LOW	2.4 (3.6)	2.4 (3.7)	2.2 (3.4)	2.8 (4.2)	2.5 (3.8)
	MED	2.7 (4.1)	2.7 (4.1)	2.5 (3.9)	3.2 (4.8)	2.9 (4.4)
	HIGH	3.1 (4.7)	3.0 (4.6)	3.0 (4.5)	3.7 (5.6)	3.4 (5.1)

* Gap setting should be made with "GO/NO-GO" type feeler gauge.

Table 2

UW P-Control, Variable-Speed Models

Refer to *Table 3*.

UWPV Models						
Specifications	35	60	80	100	125	150
Overall Dimensions						
Overall width, in. (mm)	32.5 (826)	36.63 (930)	41.5 (1054)	41.5 (1054)	48 (1219)	50.25 (1277)
Overall height, in. (mm)	55.5 (1410)	64.5 (1638)	68.5 (1740)	68.5 (1740)	72 (1829)	79 (2007)
Overall depth, in. (mm)	43.63 (1108)	45 (1143)	51.5 (1308)	54.5 (1384)	58 (1473)	63 (1600)
Weight And Shipping Information						
Net weight, lb. (kg)	1030 (468)	1300 (590)	1730 (785)	1770 (805)	2420 (1100)	2970 (1347)
Basket/shaft weight, lb. (kg)	150 (68)	200 (92)	330 (150)	360 (163)	550 (250)	260 (572)
Domestic shipping weight, lb. (kg)	1085 (493)	1340 (608)	1795 (814)	1835 (832)	2525 (1148)	3022 (1371)
Domestic shipping volume, ft. ³ (m ³)	66 (1.9)	84 (2.4)	119 (3.4)	119 (3.4)	166 (4.7)	172 (4.87)
Domestic shipping dimensions, WxDxH, in. (mm)	38x47x64 (970x1200x1630)	40x49x74.5 (1016x1245x1892)	44x60.5x77.25 (1118x1537x1962)	44x60.5x77.25 (1118x1537x1962)	61.5x60x77.75 (1560x1520x1980)	54.5x69x79 (139x176x201)
Export shipping weight, lb. (kg)	1150 (522)	1464 (664)	1990 (903)	2030 (921)	2800 (1270)	3350 (1520)
Export shipping volume, ft. ³ (m ³)	78 (2.2)	96 (2.7)	134 (3.8)	134 (3.8)	184 (5.3)	220 (6.3)
Export shipping dimensions, WxDxH, in. (mm)	41x50x65.5 (1050x1280x1670)	43x52.12x74.5 (1092x1324x1892)	47x63.5x77.25 (1194x1613x1962)	47x63.5x77.25 (1194x1613x1962)	63.5x63x80 (1620x1610x2030)	61.5x71x87 (1562x1804x2210)
Wash Cylinder Information						
Cylinder diameter, in. (mm)	26.25 (667)	32 (813)	36 (914)	36 (914)	42 (1067)	43 (1093)
Cylinder depth, in. (mm)	18.38 (467)	20 (508)	21 (533)	27 (686)	24 (610)	27.81 (706)
Cylinder volume, ft. ³ (l)	5.76 (163)	9.31 (264)	12.4 (350)	15.9 (450)	19.2 (544)	23.38 (662)
Perforation size, in. (mm)	0.19 (4.8)	0.19 (4.8)	0.19 (4.8)	0.19 (4.8)	0.19 (4.8)	0.19 (4.8)
Perforation open area, %	18	22	23	23	24	21.5
Door Opening Information						
Door opening size, in. (mm)	14.34 (364)	17.5 (445)	17.5 (445)	17.5 (445)	20 (508)	24.75 (629)
Height of door bottom above floor, in. (mm)	23.75 (603)	28.25 (718)	29 (737)	29 (737)	29 (737)	32 (813)
Drive Train Information						
Number of motors in drive train	1	1	1	1	1	1
Drive motor power, hp (kW)	3.0 (2.2)	5.0 (3.7)	7.5 (5.6)	7.5 (5.6)	10 (7.5)	10 (7.5)

Table 3 (continued)

Basic Installation/Operation

Table 3 (continued)

UWPV Models							
Specifications	35	60	80	100	125	150	
Cylinder Speeds / Centrifugal Force Data							
1/2 Wash/reverse, RPM / g	26 / .25	26 / .31	26 / .35	26 / .35	26 / .40	23 / .31	
Wash/reverse, RPM / g	42 / .66	40 / .73	40 / .82	40 / .82	37 / .82	36 / 0.8	
Distribution, RPM / g	83 / 2.57	71 / 2.29	73 / 2.57	70 / 2.50	62 / 2.29	61 / 2.29	
Medium extract, RPM / g	325 / 39	305 / 42	325 / 54	325 / 54	260 / 40	262 / 42	
High extract 1, RPM / g *Design U6 models	474 / 84	435 / 86	408 / 85	408 / 85	380 / 86	417 / 106	
	533 / 106	483 / 106	456 / 106	456 / 106	N/A	417 / 106	
High extract 2, RPM / g	610 / 139	555 / 140	523 / 140	523 / 140	485 / 140	512 / 160	
High extract 3, RPM / g *Design U6 models	795 / 235	720 / 235	671 / 230	601 / 184	534 / 170	573 / 200	
	897 / 308	813 / 300	767 / 300	767 / 300	580 / 200	701 / 300	
Balance Detection							
Vibration switch installed	STD	STD	STD	STD	STD	STD	
Switch gap setting, in. (mm)**	.20 (.008) NO-GO .15 (.006) GO	.25 (.010) NO-GO .20 (.008) GO	.25 (.010) NO-GO .20 (.008) GO	.25 (.010) NO-GO .20 (.008) GO	.20 (.008) NO-GO .15 (.006) GO	.30 (.014) NO-GO .33 (.013) GO	
Direct Steam Heating (Optional)							
Steam inlet connection size, in. (mm)	1/2 (13)	1/2 (13)	1/2 (13)	1/2 (13)	3/4 (19)	3/4 (19)	
Number of steam inlets	1	1	1	1	1	1	
Steam required to raise bath temperature, 10°F, lb. (10°C, kg)	LOW	2.1 (1.5)	3.3 (2.4)	4.6 (3.3)	5.7 (4.1)	6.7 (4.9)	8.3 (6.0)
	MED	2.3 (1.7)	3.7 (2.6)	5.2 (3.8)	6.5 (4.7)	7.8 (5.6)	9.5 (6.9)
	HIGH	2.7 (1.9)	4.1 (2.9)	6.1 (4.4)	7.6 (5.5)	9.1 (6.6)	11.1 (8.0)
Average consumption per cycle, bhp (kg)	1.4 (21.4)	2.1 (33.4)	3.1 (48.4)	3.8 (60.4)	4.6 (72.0)	5.8 (91.0)	
Electrical Heating (Optional)							
Total electrical heating capacity, kW	15.6	25.2	37.8	37.8	50.4	N/A	
Number of electrical heating elements	6	6	9	9	12	N/A	
Electrical heating element size, kW	2.6	4.2	4.2	4.2	4.2	N/A	
Time required to raise bath temperature, 10°F, min. (5°C, min.)	LOW	2.4 (3.6)	2.4 (3.7)	2.2 (3.4)	2.8 (4.2)	2.5 (3.8)	N/A
	MED	2.7 (4.1)	2.7 (4.1)	2.5 (3.9)	3.2 (4.8)	2.9 (4.4)	N/A
	HIGH	3.1 (4.7)	3.0 (4.6)	3.0 (4.5)	3.7 (5.6)	3.4 (5.1)	N/A

* Refer to Figure 4 and Figure 5, and serial number decal on machine to determine design series.

** Gap setting should be made with "GO-NO-GO" type feeler gauge.

N/A = Not Applicable

Table 3

UW 2 Speed Models with P-Control, S-Control, Mechanical Timer or B-Control

Refer to *Table 4*.

UW 2 Speed Models			
	UW35	UW60	
Overall Dimensions			
Overall width, in. (mm)	32-1/2 (826)	36-5/8 (930)	
Overall height, in. (mm)	55-1/2 (1410)	64-1/2 (1638)	
Overall depth, in. (mm)	38-1/4 (972)	45 (1143)	
Weight and Shipping Information			
Net weight, lb. (kg)	750 (341)	1136 (515)	
Basket/shaft weight, lb. (kg)	74 (34)	200 (92)	
Domestic shipping weight, lb. (kg)	810 (367)	1175 (533)	
Domestic shipping volume, ft. ³ (m ³)	66 (1.9)	84 (2.4)	
Domestic shipping dimensions W x D x H, mm (in.)	38 x 47 x 64 (970 x 1200 x 1630)	40 x 49 x 74-1/2 (1016 x 1245 x 1892)	
Export shipping weight, lb. (kg)	910 (413)	1300 (590)	
Export shipping volume, ft. ³ (m ³)	78 (2.2)	96 (2.7)	
Export shipping dimensions W x D x H, in. (mm)	41 x 50 x 65-1/2 (1050 x 1280 x 1670)	43 x 52-1/8 x 74-1/2 (1092 x 1324 x 1892)	
Wash Cylinder Information			
Cylinder diameter, in. (mm)	26-1/4 (667)	32 (813)	
Cylinder depth, in. (mm)	18-3/8 (467)	20 (508)	
Cylinder volume, ft. ³ (l)	5.76 (163)	9.31 (264)	
Perforation size, in. (mm)	3/16 (4.8)	3/16 (4.8)	
Perforation open area, %	18	22	
Door Opening Information			
Door opening size, in. (mm)	14-11/32 (364)	17-1/2 (445)	
Height of door bottom above floor, in. (mm)	23-3/4 (603)	28-1/4 (718)	
Water Consumption*			
Average water consumption per cycle, gal. (l)	HOT	45 (170)	61 (231)
	COLD	24 (91)	29 (110)
Average hot water used per hour, gal. (l)	78 (295)	102 (386)	
Power Consumption			
Average power used per cycle, kWh	0.3	0.47	
Max. nominal sound emission, dBA	72	81	
Average HVAC load, Btu/hr (kcal/hr)	600 (151)	875 (220)	

* For P and S controls only. M control has no spray rinse.

Table 4 (continued)

Basic Installation/Operation

Table 4 (continued)

UW 2 Speed Models			
	UW35	UW60	
Drive Train Information			
Number of motors in drive train	1	1	
Wash/reverse motor power, HP (kW)	0.4 (0.3)	0.6 (0.5)	
High extract motor power, HP (kW)	1.8 (1.3)	3.0 (2.2)	
Cylinder Speeds/Centrifugal Force Data			
Wash/reverse speed, RPM / g	50 / 0.95	44 / 0.88	
Distribution speed, RPM / g	–	–	
High extract speed, RPM / g	504 / 95	465 / 98	
Balance Detection			
Vibration safety switch installed	N/A	STD	
Safety switch gap setting, in. (mm)	N/A	0.008-0.010 (0.20-0.25)	
Direct Steam Heating (Optional)			
Steam inlet connection size, in. (mm)	1/2 (13)	1/2 (13)	
Number of steam inlets	1	1	
Steam required to raise bath temperature, 10°F, lb. (10°C, kg)	LOW	2.1 (1.5)	3.3 (2.4)
	MED	2.3 (1.7)	3.7 (2.6)
	HIGH	2.7 (1.9)	4.1 (2.9)
Average consumption per cycle, bhp (kg/hr)	1.4 (21.4)	2.1 (33.4)	
Electrical Heating (Optional)			
Total electrical heating capacity, kW	15.6	25.2	
Number of electrical heating elements	6	6	
Electrical heating element size, kW	2.6	4.2	
Time required to raise bath temperature, 10°F, min. (10°C, min.)	LOW	2.4 (3.6)	2.4 (3.7)
	MED	2.7 (4.1)	2.7 (4.1)
	HIGH	3.1 (4.7)	3.0 (4.6)

Table 4

UW 3 Speed Models with P-Control or S-Control

Refer to *Table 5*.

UW 3 Speed Models			
	UW35	UW60	
Overall Dimensions			
Overall width, in. (mm)	32-1/2 (826)	36-5/8 (930)	
Overall height, in. (mm)	55-1/2 (1410)	64-1/2 (1638)	
Overall depth, in. (mm)	36-3/4 (933)	45 (1143)	
Weight and Shipping Information			
Net weight, lb. (kg)	750 (341)	557 (1229)	
Basket/shaft weight, lb. (kg)	90 (41)	200 (92)	
Domestic shipping weight, lb. (kg)	810 (367)	1268 (575)	
Domestic shipping volume, ft. ³ (m ³)	66 (1.9)	2.4 (84)	
Domestic shipping dimensions, WxDxH, in. (mm)	38 x 47 x 64 (970 x 1200 x 1630)	40 x 49 x 74-1/2 (1016 x 1245 x 1892)	
Export shipping weight, lb. (kg)	413 (910)	631 (1392)	
Export shipping volume, ft. ³ (m ³)	2.2 (78)	2.7 (96)	
Export shipping dimensions, WxDxH, in. (mm)	41 x 50 x 65-1/2 (1050 x 1280 x 1670)	43 x 52-1/8 x 74-1/2 (1092 x 1324 x 1892)	
Wash Cylinder Information			
Cylinder diameter, in. (mm)	26-1/4 (667)	32 (813)	
Cylinder depth, in. (mm)	18-3/8 (467)	20 (508)	
Cylinder volume, ft. ³ (l)	5.76 (163)	9.31 (264)	
Perforation size, in. (mm)	3/16 (4.8)	3/16 (4.8)	
Perforation open area, %	18	22	
Door Opening Information			
Door opening size, in. (mm)	14-11/32 (364)	17-1/2 (445)	
Height of door bottom above floor, in. (mm)	23-3/4 (603)	28-1/4 (718)	
Water Consumption			
Average water consumption per cycle, gal. (l)	HOT	45 (170)	61 (231)
	COLD	24 (91)	29 (110)
Average hot water used per hour, gal. (l)		78 (295)	102 (386)

Table 5 (continued)

Basic Installation/Operation

Table 5 (continued)

UW 3 Speed Models			
		UW35	UW60
Power Consumption			
Average power used per cycle, kWh		0.24	0.47
Max nominal sound emission, dBA		72	81
Average HVAC load, Btu/hr (kcal/hr)		625 (157)	875 (220)
Drive Train Information			
Number of motors in drive train		2	2
Wash/reverse motor power, hp (kW)		0.4 (0.3)	0.9 (0.7)
Distribution motor power, hp (kW)		0.45 (0.34)	1.0 (0.8)
High extract motor power, hp (kW)		3 (2.2)	3.5 (2.6)
Cylinder Speeds/Centrifugal Force Data			
Wash/reverse speed, RPM / g		45 / 0.76	42 / 0.80
Distribution speed, RPM / g		75 / 2.10	67 / 2.04
High extract speed, RPM / g		597 / 133	561 / 139
Balance Detection			
Vibration safety switch installed		N/A	STD
Safety switch gap setting, in. (mm)		N/A	0.006 (0.15)
Direct Steam Heating (Optional)			
Steam inlet connection size, in. (mm)		1/2 (13)	1/2 (13)
Number of steam inlets		1	1
Steam required to raise bath temperature, 10°F, lb. (10°C, kg)	LOW	2.1 (1.5)	3.3 (2.4)
	MED	2.3 (1.7)	3.7 (2.6)
	HIGH	2.7 (1.9)	4.1 (2.9)
Average consumption per cycle, bhp (kg)		1.4 (21.4)	2.1 (33.4)
Electrical Heating (Optional)			
Total electrical heating capacity, kW		15.6	25.2
Number of electrical heating elements		6	6
Electrical heating element size, kW		2.6	4.2
Time required to raise bath temperature, 10°F, min. (10°C, min.)	LOW	2.4 (3.6)	2.4 (3.7)
	MED	2.7 (4.1)	2.7 (4.1)
	HIGH	3.1 (4.7)	3.0 (4.6)


Table 5

UniLinc and M30 Control Models

Dimensional Clearances

Allow a minimum of 24 inches (60 cm) at the rear and 6 inches (45 cm) at the sides for maintenance, inspection, and adjustment. Allow at least 6 inches (45 cm) between machines in multiple installations. Machine dimensions are indicated in *Table 6* and specified in *Figure 1* and *Figure 2*.

NOTE: The dimensions shown here are for planning purposes only. They are approximate and subject to normal manufacturing tolerances. If exact dimensions are required for construction purposes, contact the distributor or the manufacturer. We reserve the right to make changes at any time without notice.

	WARNING
<p>Crush hazard. To avoid personal injury and/or property damage, do not tip the UW150 machine more than 25 degrees in any direction.</p>	
W642	

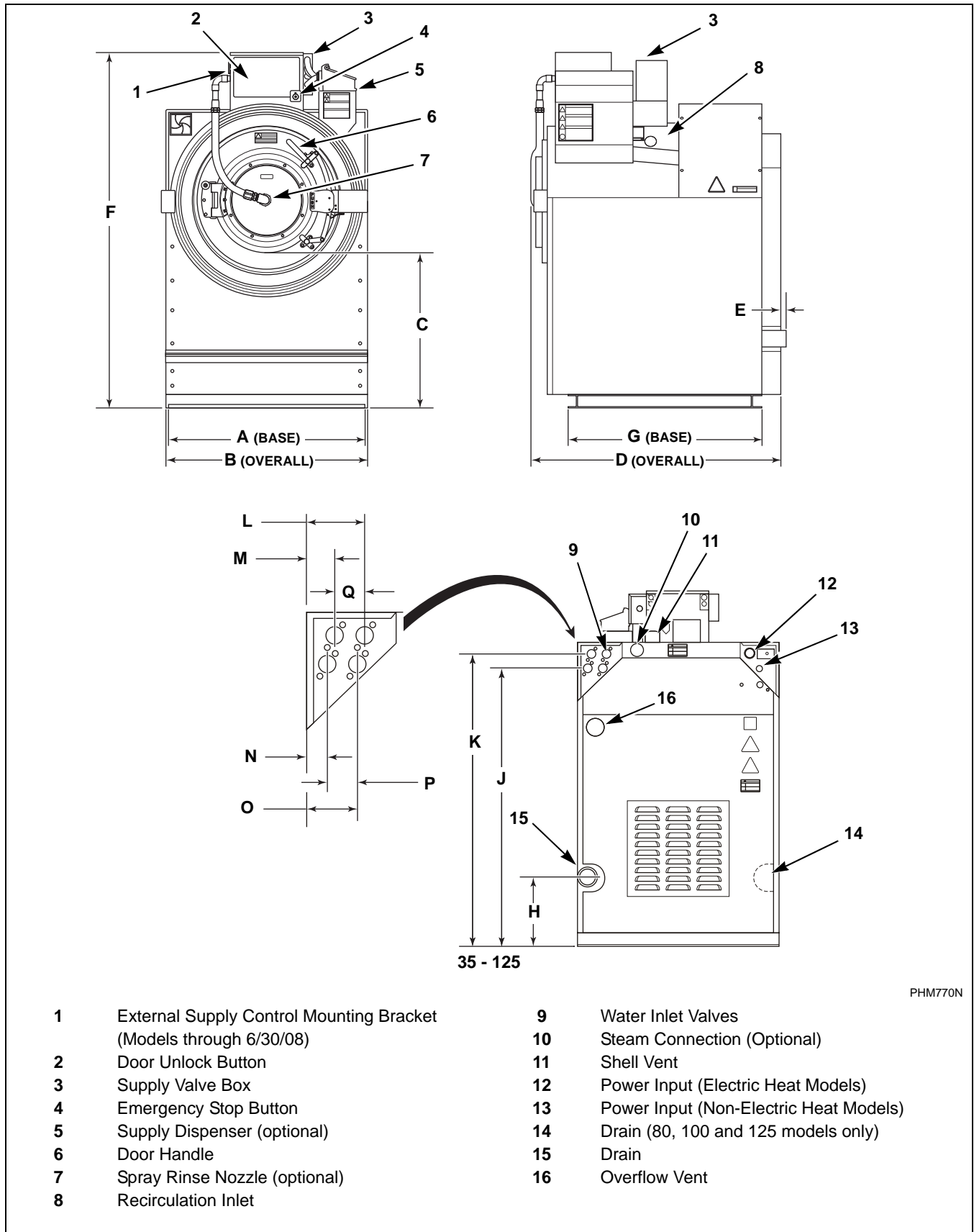
UniLinc and M30 Control Pocket Hardmount Machine Dimensions (Refer to <i>Figure 1</i> and <i>Figure 2</i>)												
Dimension	35		60		80		100		125		150	
	in	mm	in	mm	in	mm	in	mm	in	mm	in	mm
A	30.125	765	35.625	905	41.125	1045	41.125	1045	48	1219	50.25	1277
B ¹	33.375 (Models through 5/31/09) 32.5 (Models starting 6/1/09)	848	36.625	930	41.5	1054	41.5	1054	48	1219	50.25	1277
C	23.75	603	28.25	718	29	737	29	737	29	737	32	813
D	43.625 (Variable speed models through 5/31/09) 38.25 (2-speed models through 5/31/09) 44 (All models starting 6/1/09)	1108	45	1143	51.5	1308	54.5	1384	58	1473	63	1600
E ²	.5	13	1	25	3	76	3	76	1.5	38	2.9	73
F	55.5	1410	64.5	1638	68.5	1740	68.5	1740	72	1829	79	2007
G ²	36	914	36	914	43.75	1111	43.75	1111	48	1219	56	1422
H	8	203	15.5	394	16.875	429	16.875	429	11.375	289	15.75	400
J	43.14	1096	49.8	1265	53.54	1360	53.54	1360	56.4	1433	62.85	1596
K	46.64	1185	53.3	1354	57.04	1449	57.04	1449	59.9	1521	66.35	1685
L	5.12	130	5.12	130.05	7.12	181	7.12	181	7.12	181	7.12	181
M	2.62	66	2.62	66	3.62	92	3.62	92	3.62	92	3.62	92
N	1.37	35	1.37	35	2.25	57	2.25	57	2.25	57	2.25	57
O	3.87	98	3.87	98	5	127	5	127	5	127	5	127
P	2.5	64	2.5	64	2.75	70	2.75	70	2.75	70	2.75	70
Q	2.5	64	2.5	64	3.5	89	3.5	89	3.5	89	3.5	89

¹ Overhang dimensions for the optional starch dispenser are as follows: 35, 3.88 inches (9.86 cm); 60, 1.75 inches (4.45 cm); 80 and 100, 0.33 inches (0.83 cm). (The starch dispenser does not overhang the 125.) (No longer available.)

² The overhang dimension for the premium wet clean module option (compatible with wet-clean-capable washer-extractors only) adds 24 inches (60.96 cm) to combined machine dimensions E and G.

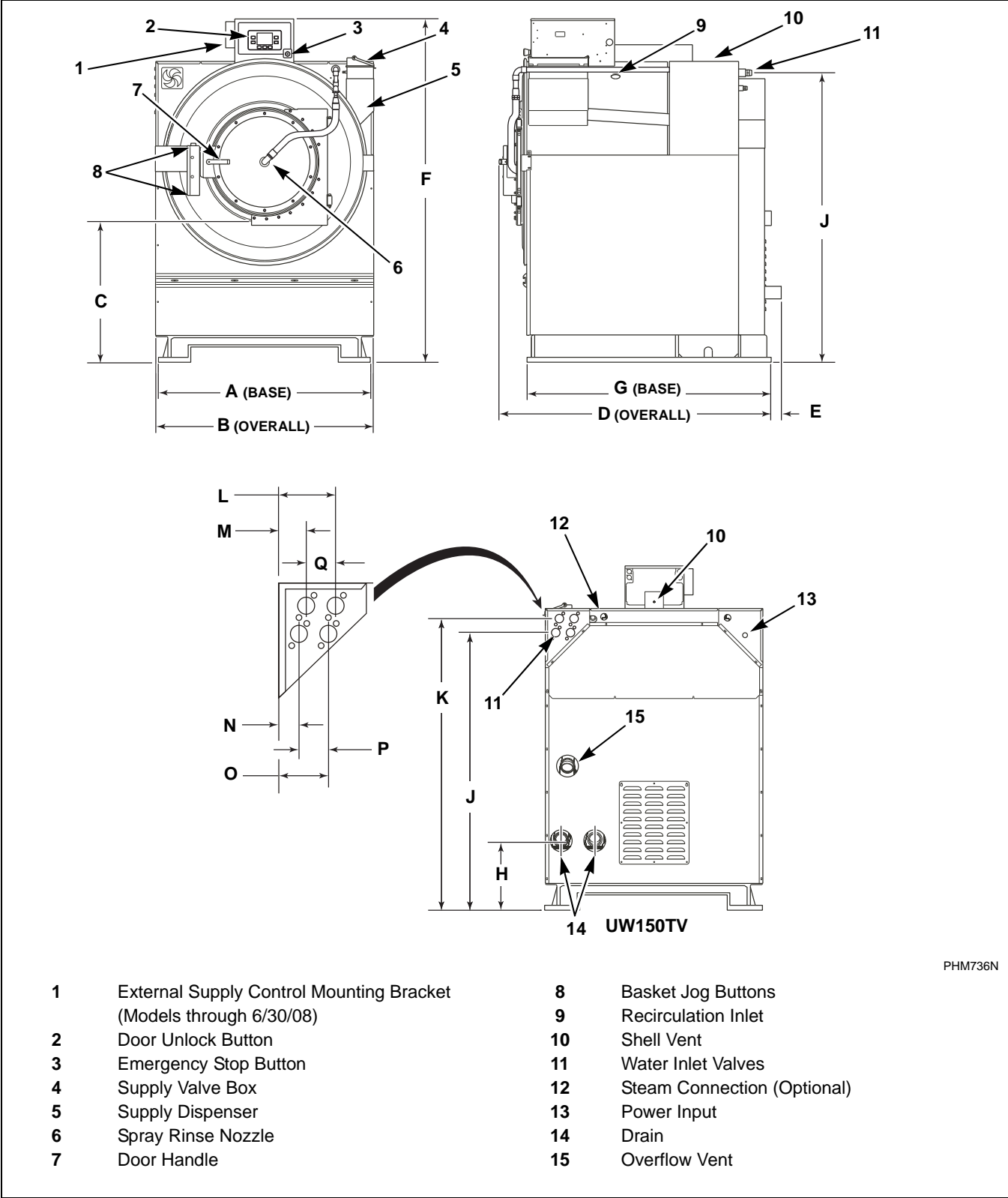
Table 6

Basic Installation/Operation



PHM770N

Figure 1



PHM736N

Figure 2

Basic Installation/Operation

UWAV Models

Dimensional Clearances

Allow a minimum of 24 inches (60 cm) at the rear and 18 inches (45 cm) at the sides for maintenance, inspection, and adjustment. Allow at least 18 inches (45 cm) between machines in multiple installations. Machine dimensions are indicated in *Figure 3* and specified in *Table 7*.

NOTE: The dimensions shown here are for planning purposes only. They are approximate and subject to normal manufacturing tolerances. If exact dimensions are required for construction purposes, contact the distributor or the manufacturer. We reserve the right to make changes at any time without notice.

UWAV Pocket Hardmount Machine Dimensions (Refer to <i>Figure 3</i>)										
Dimension	35		60		80		100		125	
	in.	mm	in.	mm	in.	mm	in.	mm	in.	mm
A	30.125	765	35.625	905	41.125	1045	41.125	1045	48	1219
B	32.5	826	36.625	930	41.5	1054	41.5	1054	48	1219
C	23.75	603	28.25	718	29	737	29	737	29	737
D	43.625	972	45	1143	51.5	1308	54.5	1384	58	1473
E	1	25	1	25	3	76	3	76	1.5	38
F	55.5	1410	64.5	1638	68.5	1740	68.5	1740	72	1829
G	30.5	775	36	914	43.75	1111	43.75	1111	48	1219
H	7.625	194	15.5	394	16.875	429	16.875	429	11.375	289
I	43.875	1114	55	1397	58.5	1486	58.5	1486	63.375	1610

Table 7

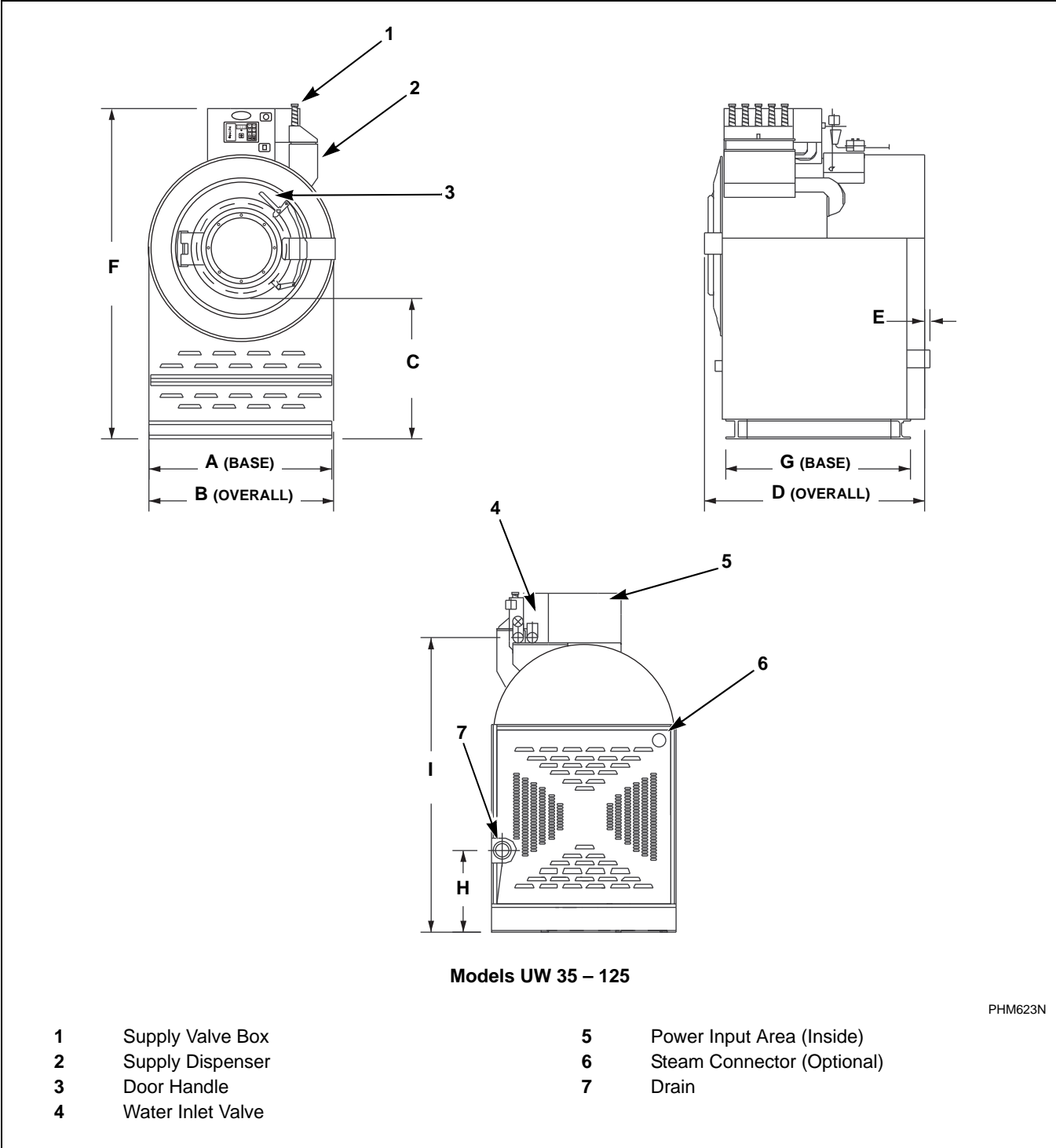


Figure 3

Basic Installation/Operation

UWPV Models

Dimensional Clearances

Allow a minimum of 24 inches (60 cm) at the rear and 18 inches (45 cm) at the sides for maintenance, inspection and adjustment. Allow at least 18 inches (45 cm) between machines in multiple installations. Machine dimensions are indicated in *Figure 4* and specified in *Table 8*.

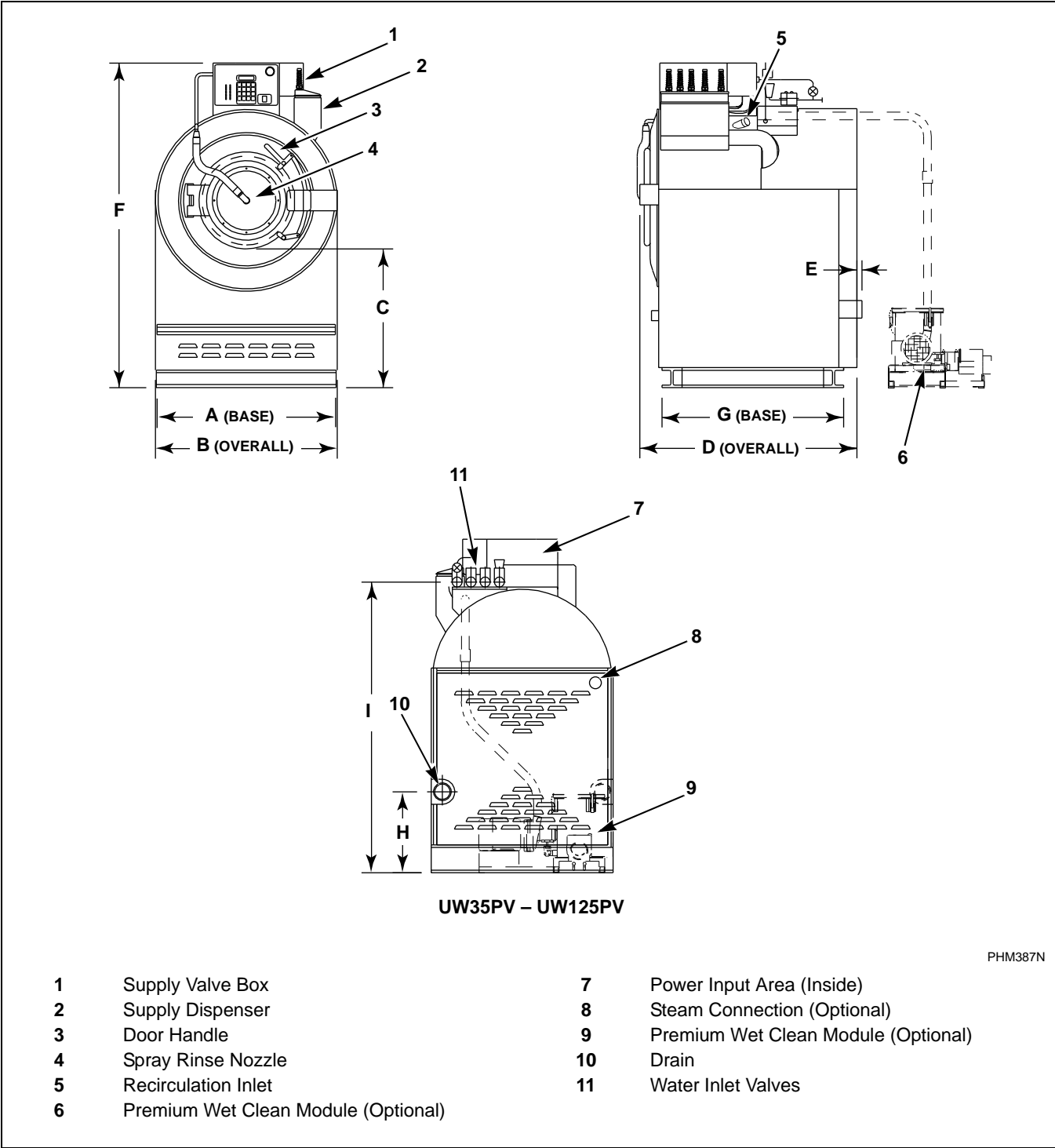
NOTE: The dimensions shown here are for planning purposes only. They are approximate and subject to normal manufacturing tolerances. If exact dimensions are required for construction purposes, contact the distributor or the manufacturer. We reserve the right to make changes at any time without notice.

UWPV Pocket Hardmount Machine Dimensions (Refer to <i>Figure 4</i> and <i>Figure 5</i>)												
Dimension	35		60		80		100		125		150	
	in	mm	in	mm	in	mm	in	mm	in	mm	in	mm
A	30.12	765	35.63	905	41.12	1045	41.12	1045	48	1219	50.25	1277
B¹	33.39	847	36.63	930	41.5	1054	41.5	1054	48	1219	50.25	1277
C	23.75	603	28.25	718	29	737	29	737	29	737	32	813
D	43.63	1108	45	1143	51.5	1308	54.5	1384	58	1473	63	1600
E²	.5	13	1	25	3	76	3	76	1.5	38	2.9	73.65
F	55.5	1410	64.5	1638	68.5	1740	68.5	1740	72	1829	79	2007
G²	36	914	36	914	43.75	1111	43.75	1111	48	1219	56	1422
H	8	203	15.52	394	16.88	429	16.88	429	11.38	289	15.75	400
I	43.88	1114	55	1397	58.5	1486	58.5	1486	63.38	1610	70.25	1778

¹ Overhang dimensions for the optional starch dispenser are as follows: UW35PV, 3.88 inches (9.86 cm); UW60PV, 1.75 inches (4.45 cm); UW80PV and UW100PV, 0.33 inches (0.83 cm). (The starch dispenser does not overhang the UW125PV.) (No longer available.)

² The overhang dimension for the premium wet clean module option (compatible with wet-clean-capable washer-extractors only) adds 24 inches (60.96 cm) to combined machine dimensions E and G.

Table 8



PHM387N

Figure 4

Basic Installation/Operation

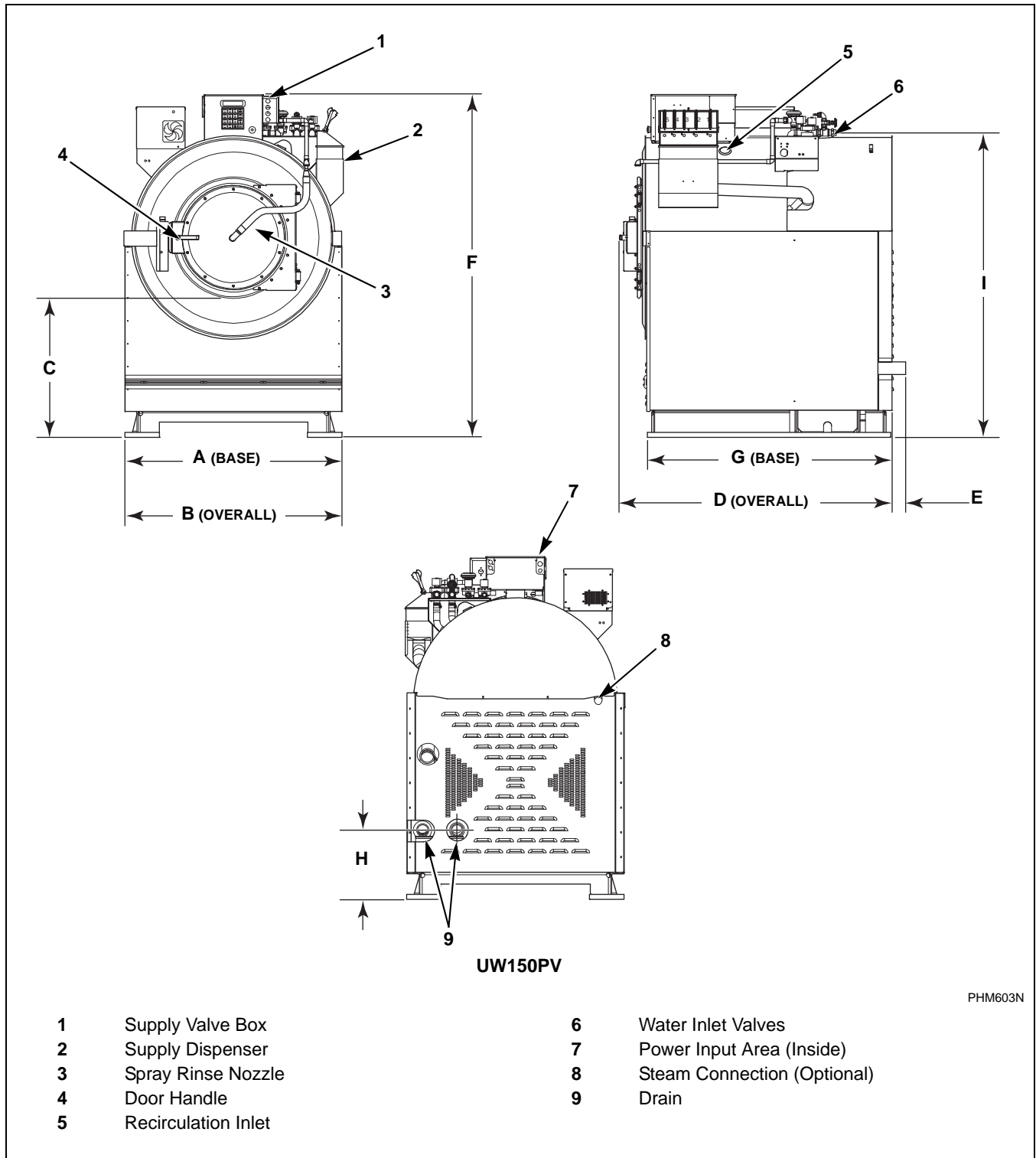


Figure 5

UW 2 Speed Models with P-Control, S-Control, Mechanical Timer or B-Control

Dimensional Clearances

Allow a minimum of 24 inches (60 cm) at the rear, and 18 inches (45 cm) at the sides for maintenance, inspection and adjustment. Allow at least 18 inches (45 cm) between machines in multiple installations. Machine dimensions are indicated in *Figure 6* and specified in *Table 9*.

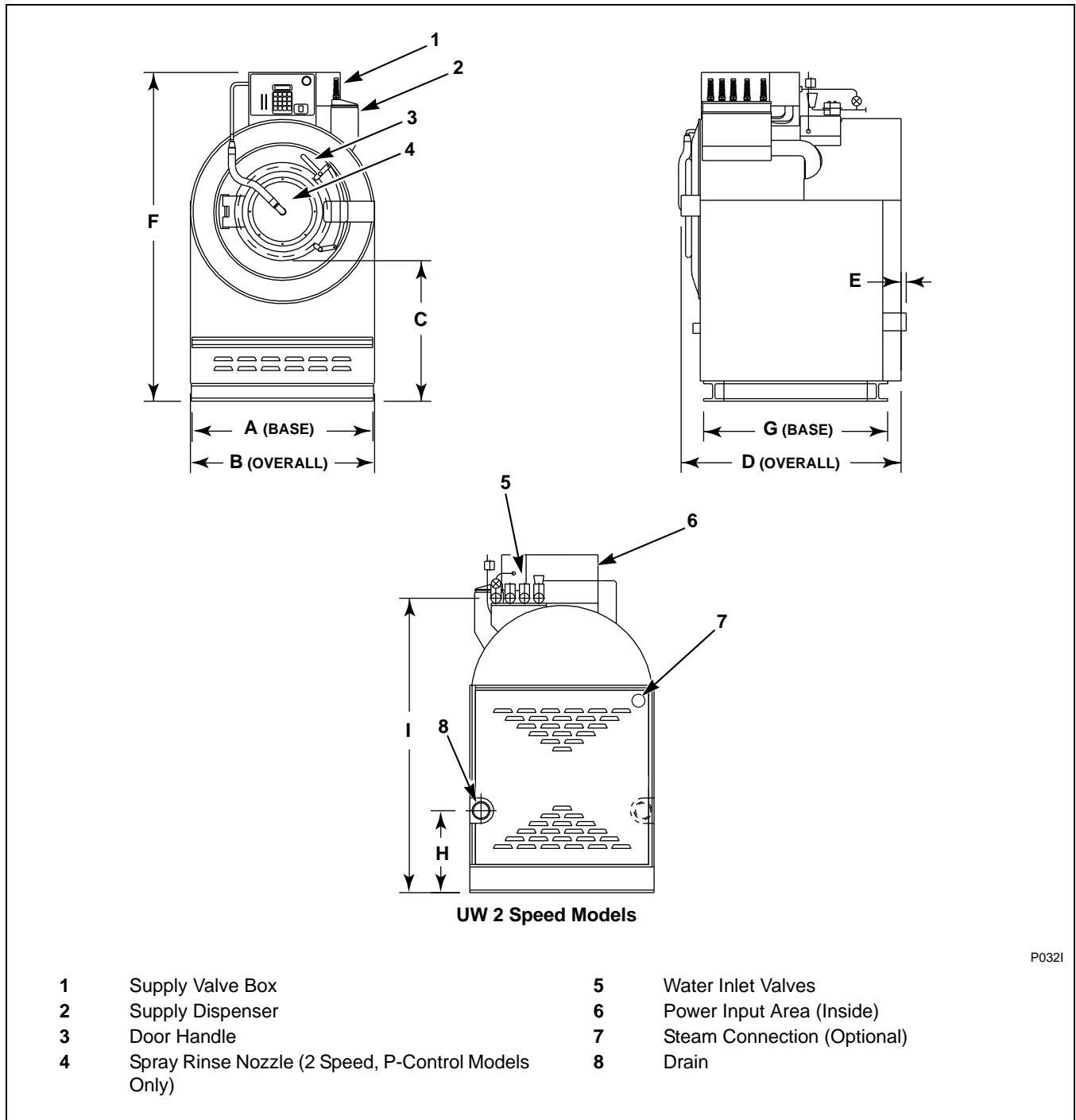
NOTE: The dimensions shown here are for planning purposes only. They are approximate and subject to normal manufacturing tolerances. If exact dimensions are required for construction purposes, contact the distributor or the manufacturer. We reserve the right to make changes at any time without notice.

UW 2 Speed Machine Dimensions (Refer to <i>Figure 6</i>)				
Dimensions	35		60	
	in.	mm	in.	mm
A	30.13	765	35.63	905
B*	32.5	826	36.63	930
C	23.75	603	28.25	718
D	38.25	972	45	1143
E	0.5	13	1	25
F	55.5	1410	64.5	1638
G	30.5	775	36	914
H	8	203	15.5	394
I	43.88	1114	55	1397

* Overhang dimensions for the optional starch dispenser are as follows: UW35, 3.88 inches (9.86 cm); UW60, 1.75 inches (4.45 cm).

Table 9

Basic Installation/Operation



P032I

Figure 6

UW 3 Speed Models with P-Control or S-Control

Dimensional Clearances

Allow a minimum of 24 inches (60 cm) at the rear and 18 inches (45 cm) at the sides for maintenance, inspection, and adjustment. Allow at least 18 inches (45 cm) between machines in multiple installations. Machine dimensions are indicated in *Figure 7* and specified in *Table 10*.

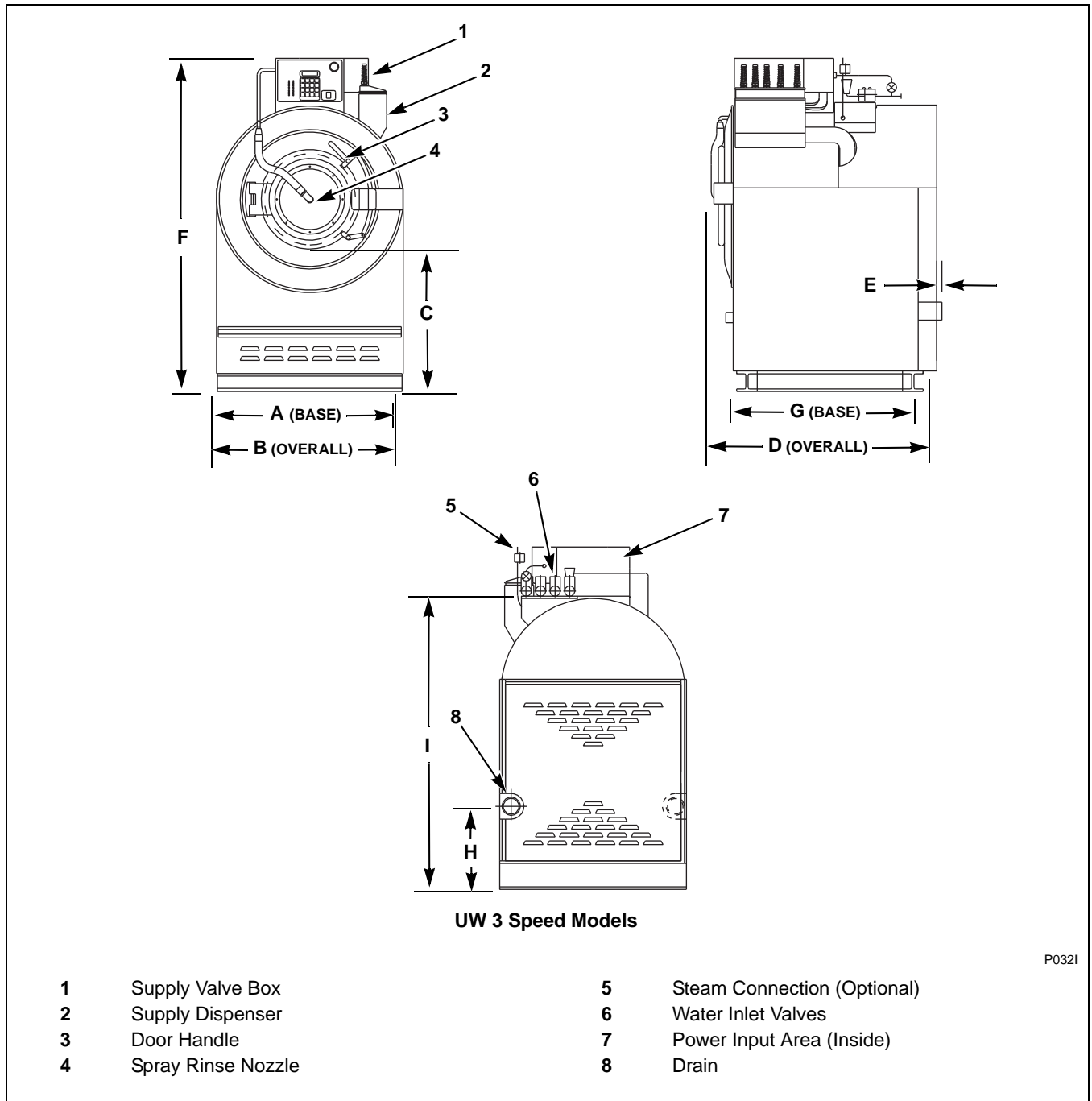
NOTE: The dimensions shown here are for planning purposes only. They are approximate and subject to normal manufacturing tolerances. If exact dimensions are required for construction purposes, contact the distributor or the manufacturer. We reserve the right to make changes at any time without notice.

UW 3 Speed Machine Dimensions (Refer to <i>Figure 7</i>)				
Dimensions	35		60	
	in.	mm	in.	mm
A	30.13	765	35.63	905
B*	32.5	825	36.63	930
C	23.75	604	28.25	718
D	36.75	934	45	1143
E	1	25	1	25
F	55.5	1409	64.5	1638
G	30.5	775	36	914
H	7.63	194	15.5	394
I	43.63	1108	55	1397

* Overhang dimensions for the optional starch dispenser are as follows: UW35, 3.88 inches (9.86 cm); UW60, 1.75 inches (4.45 cm).

Table 10

Basic Installation/Operation



P032I

Figure 7

Operation

UW Models With UniLinc Control

1. When display shows the Cycle Menu Screen washer-extractor is ready to be loaded with laundry.
2. On UW35-UW150 models. Press the door unlock button located on the lower left front on the control. Refer to *Figure 8*.
3. Open door within five seconds of pressing the door unlock keypad.

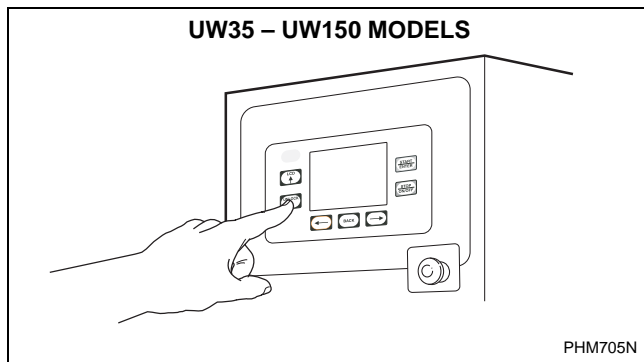


Figure 8

4. On 35 – 125 models, turn door handle clockwise and swing the door left to open. Door must be opened within 5 seconds of pressing the door unlock button. Refer to *Figure 9*.

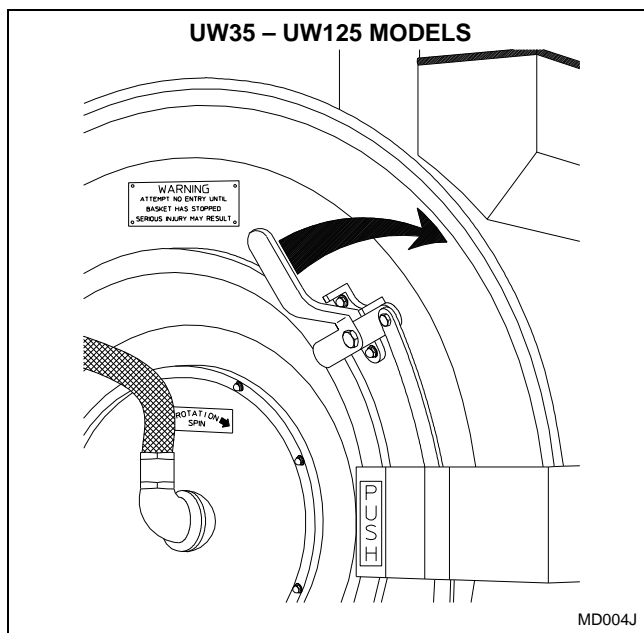


Figure 9

5. On 150 models, turn handle counterclockwise and swing the door right to open. Door must be opened within 5 seconds of pressing the door

unlock button. Refer to *Figure 10*.

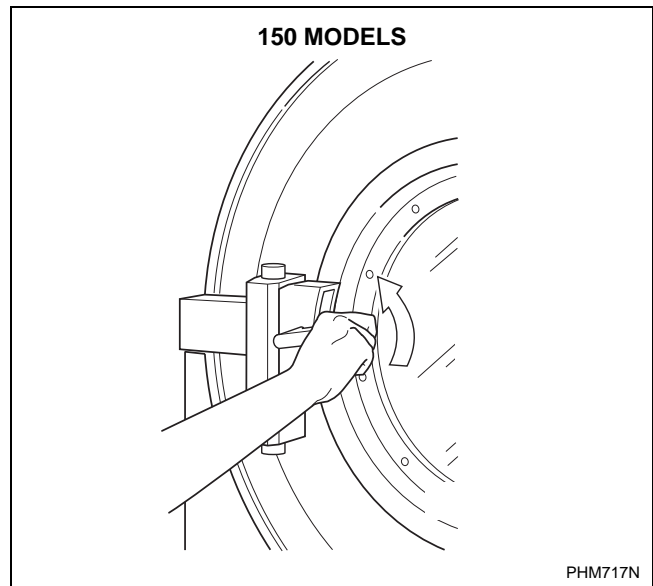


Figure 10

6. Load the washer-extractor to full capacity whenever possible, but do not exceed the rated dry-weight capacity of the machine if the fabric to be washed is quite dense, closely woven, and heavily soiled.

Overloading can result in an inferior wash. The operator may need to experiment to determine load size based on fabric content, soil content, and level of cleanliness required. Do not underload the machine. Underloading can result in premature bearing and sealing failure and out-of-balance situations.

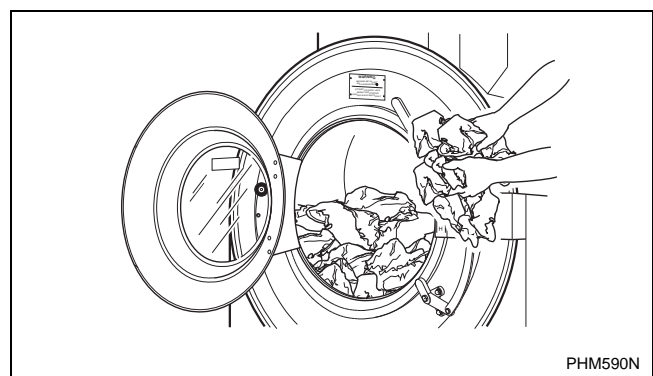



Figure 11

	CAUTION
<p>Be careful around the open door, particularly when loading from a level below the door. Impact with door edges can cause personal injury.</p>	
SW025	

NOTE: When washing items which may disintegrate or fragment, such as mop heads or sponges, use laundry nets to prevent drain blockage.

IMPORTANT: To prevent out-of-balance conditions, premature wear or damage to machine when using laundry nets, use several small nets in a load.

- When loading is complete, ensure that all fabric is inside the basket. Then close and lock the door. Add dry supplies are placed in the supply dispenser compartment cups prior to the start of each cycle. Liquid supplies can be injected directly into the supply dispenser by an external chemical supply system.

NOTE: Supply dispenser compartment cups must *not* be removed when an external chemical injection supply system is attached to the washer-extractor.

- Press  and  keypads to select desired wash cycle.


For Technical Service Distributor ABC 1-800-555-5555		
Cycle41: Supply Set Up	Cycle01: Towels White Bleach	Cycle02: Towels White
<div style="background-color: #333; color: white; padding: 2px 5px; display: inline-block;">Cycle Menu</div>		

PHM702N

Figure 12

- Press  to start the selected cycle.

As the cycle proceeds, the display will show a summary of the cycle occurring. Refer to *Figure 8*

To begin the cycle at any step other than the first step, press the  keypad to advance through the cycle to the desired starting point. (The Rapid Advance feature keypad is enabled at the factory and can be disabled.) Refer to *Programming Manual* for information to disable Rapid Advance.

If the door is not closed and locked, the display will indicate that the door needs to closed and locked. Refer to *Figure 13*.

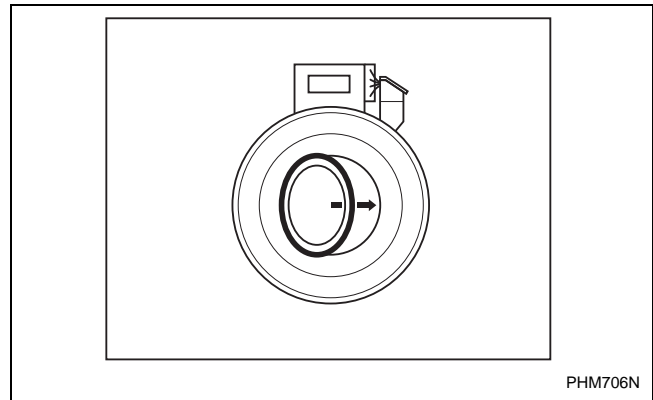



Figure 13

Close door to start cycle or press  keypad to return to Cycle Menu.

- The cycle will continue until its completion. Then the display will show the door is ready to be unlocked and opened.

NOTE: The Drain Step that occurs before an Extract Step or a Spray Rinse Extract Step cannot be skipped using Rapid Advance. The machine **MUST** drain and balance during the Drain Step before it can extract.

UW Models With M30 Control

1. When display shows a cycle number, the washer-extractor is ready to be loaded with laundry.
2. Press the STOP/UNLOCK button located on the control. Refer to *Figure 14*.

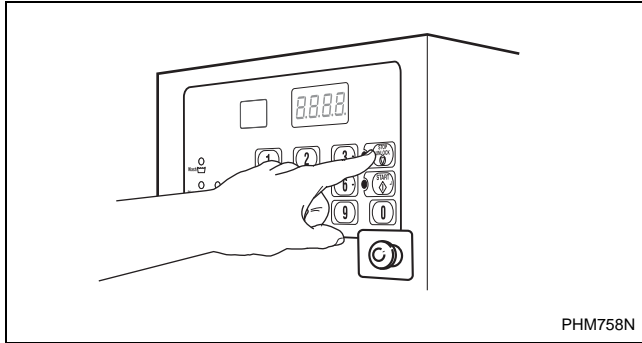


Figure 14

3. Open door within five seconds of pressing the door unlock keypad.
4. Turn the door handle clockwise and swing the door left to open it. The door must be opened within 5 seconds of pressing the door unlock button. Refer to *Figure 15*.

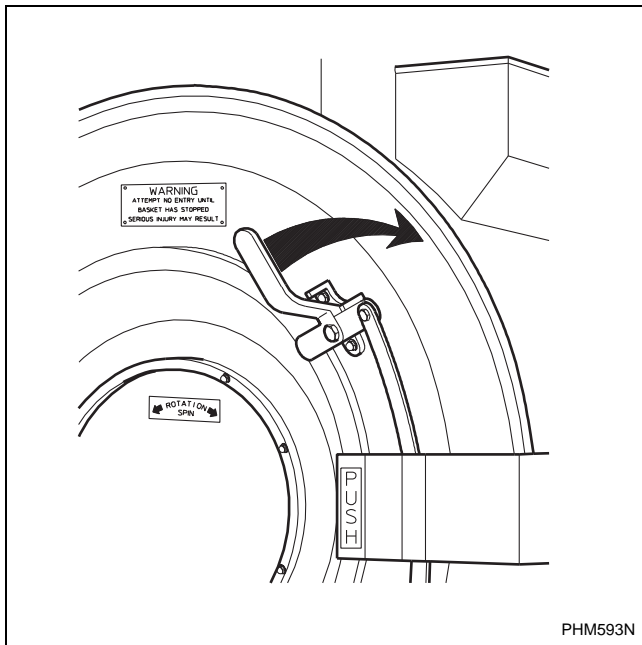


Figure 15

5. Load the washer-extractor to full capacity whenever possible, but do not exceed the rated dry-weight capacity of the machine if the fabric to be washed is quite dense, closely woven, and heavily soiled.

Overloading can result in an inferior wash. The operator may need to experiment to determine load size based on fabric content, soil content and level of cleanliness required. Do not underload the machine. Underloading can result in premature bearing and sealing failure and out-of-balance situations.

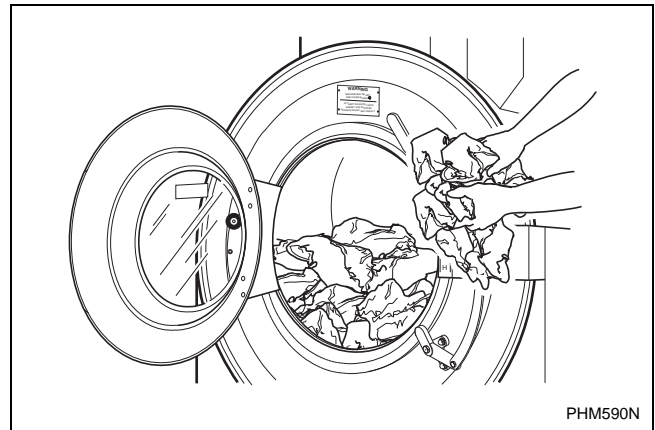



Figure 16

	CAUTION
<p>Be careful around the open door, particularly when loading from a level below the door. Impact with door edges can cause personal injury.</p>	
SW025	

NOTE: When washing items which may disintegrate or fragment, such as mop heads or sponges, use laundry nets to prevent drain blockage.

IMPORTANT: To prevent out-of-balance conditions, premature wear or damage to machine when using laundry nets, use several small nets in a load.

6. When loading is complete, ensure that all fabric is inside the basket. Then close and lock the door.
7. Where applicable, add dry supplies into the supply dispenser compartment cups prior to the start of each cycle.

Liquid supplies can be injected directly into the washer-extractor by an external chemical supply system.

NOTE: Supply dispenser compartment cups must *not* be removed when an external chemical injection supply system is attached to the washer-extractor.

8. Press the numeric keypads to select the desired wash cycle. Refer to *Table 11*.

Cycle Number	Cycle Name
1	Permanent Press Light Soil
2	Light Soil
3	Permanent Press Medium Soil
4	Medium Soil
5	Permanent Press Heavy Soil
6	Heavy Soil
7	Rags
8	Reclaim
9	Delicates
10	95°C
11	60°C
12	40°C
13	95°C Permanent Press
14	60°C Permanent Press
15	40°C Permanent Press
16	70°C Permanent Press
17	50°C Gentle
18	30°C Gentle
19	Custom #1
20	Custom #2
21	Custom #3
22	Custom #4
23	Custom #5
24	Custom #6
25	Custom #7
26	Custom #8
27	Custom #9
28	Custom #10
29	Custom #11
30	Custom #12

Table 11

Models Equipped with Both Steam and Electric Heating (UniLinc and M30 Controls)

1. To switch between the heating type, locate the switch on the left side of control module. Refer to *Figure 17*.
2. To select **steam heat**, make sure the switch is in the **down** position.

OR

To select **electric heat**, make sure the switch is in the **up** position.

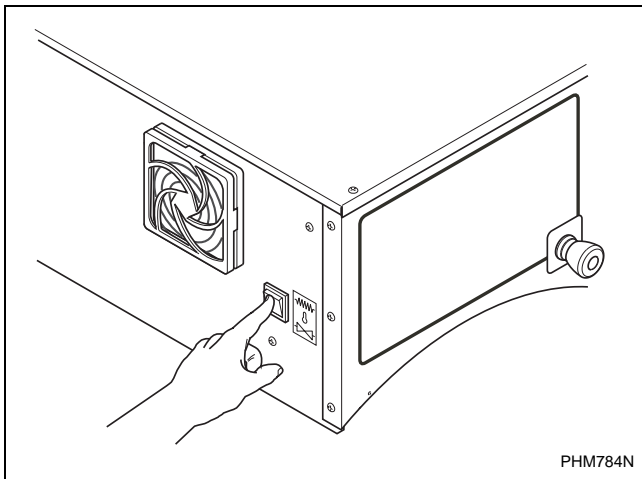


Figure 17

Basic Installation/Operation

UW Models with S-Control

1. Turn on the main power source (circuit breaker or cut-off switch on the wall).
2. Use left hand to press and hold the Door Unlock button located on the lower right front of the control panel. Refer to *Figure 18*.

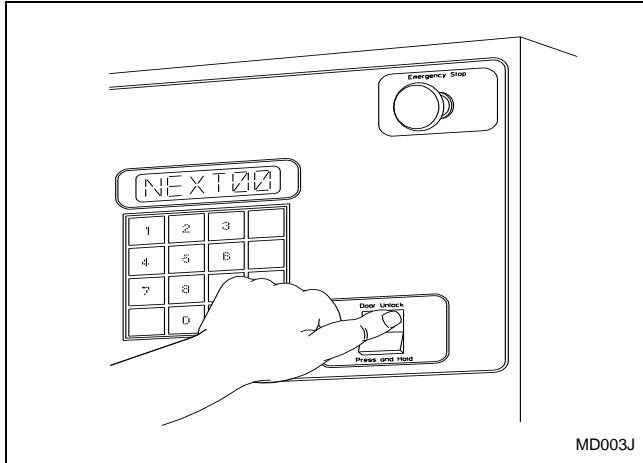


Figure 18

3. Use right hand to turn door handle clockwise, and swing the door left to open. Refer to *Figure 19*.

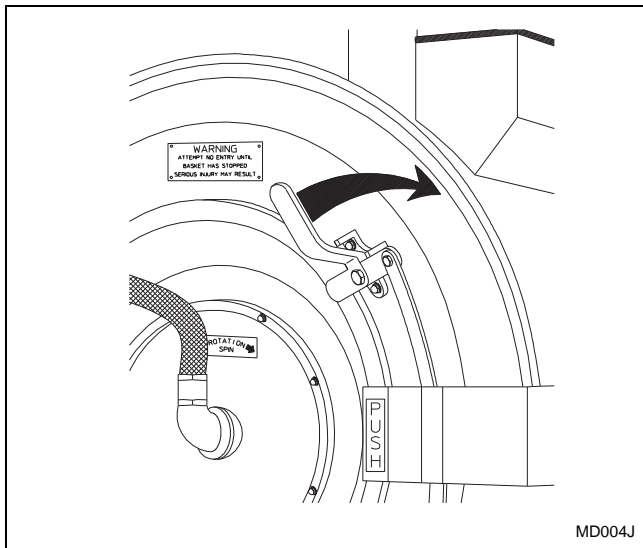


Figure 19

4. Load the machine to full capacity whenever possible. **DO NOT OVERLOAD.**

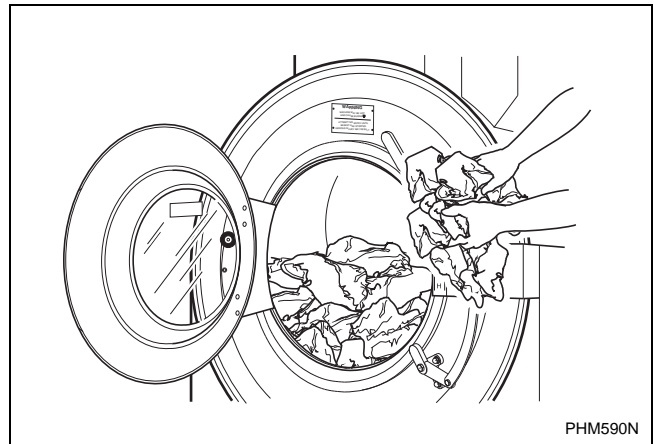


Figure 20



CAUTION

Be careful around the open door, particularly when loading from a level below the door. Impact with door edges can cause personal injury.

SW025

NOTE: When washing items which may disintegrate or fragment, such as mop heads or sponges, use laundry nets to prevent drain blockage.

5. Close door and turn handle counterclockwise. Door will lock automatically.



CAUTION

Check the door safety interlock daily before the machine is placed in operation.

SW024

6. Add dry supplies to the supply dispenser compartment cups prior to the start of each cycle.

Liquid supplies can be injected directly into the supply dispenser by an external chemical supply system.

NOTE: Supply dispenser compartment cups must *not* be removed when an external chemical injection supply system is attached to the washer-extractor.

7. Press the Up or Down keypad until the desired cycle number is displayed. Press the Start keypad to start the cycle.

To display the temperature of the water while cycle is running, press the Up keypad. To display the number of the cycle in progress, press the Start keypad.

NOTE: Press keypads at their centers just hard enough to activate them.

8. Cycle is complete when display reads “donE”.

NOTE: A cycle can be stopped at any time by pressing the Stop keypad.

UW Models with P-Control

Pre-Operating Instructions

1. Turn on the main power source (circuit breaker or cut-off switch on wall). Models with the rotation sensor will display WE-6 Firmware ID Code “HRWC18” and later (i.e., “HRWC19”) after power up. For models without rotation sensor, proceed to step 1 of *Operating Instructions*.
2. Display shows size of machine and will flash “TEST?” and “SPEED” for 15 seconds.
3. Push Start keypad during the 15 seconds. Machine will test rotation sensing for 15 seconds.
4. Display will flash “POWER” and “WAIT” one time and will display “NEXT00.”

NOTE: If START keypad is not pushed while display flashes “TEST?” and “SPEED” or if rotation sensing fails, then display flashes “POWER” and “WAIT” before showing “NEXT00” for approximately 2 minutes.

Operating Instructions

1. When display shows “NEXT00,” washer-extractor is ready to be loaded with laundry.
2. On UW35 – UW125 models, use left hand to press and hold the door unlock button located on the lower right front of the control panel. Refer to *Figure 21*.

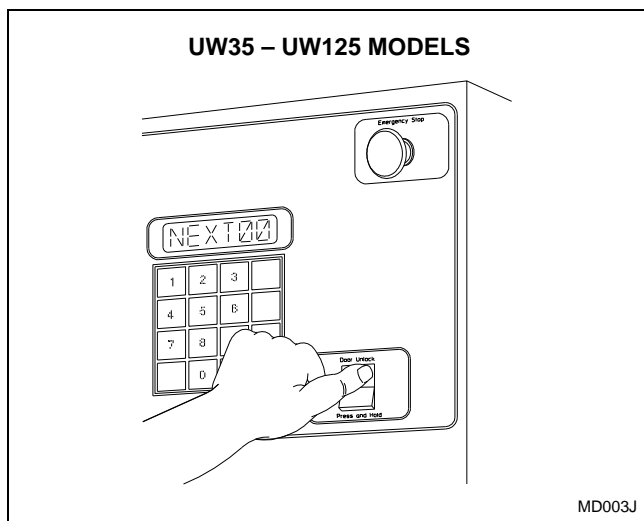



Figure 21



WARNING

Do not operate machine in a cycle with program keymode switch in program position. Program keymode switch must be in run position at all times, except when editing or programming cycle or setup information.

W528

3. On UW35 – UW125 models, use right hand to turn door handle clockwise and swing the door left to open. Refer to *Figure 22*.

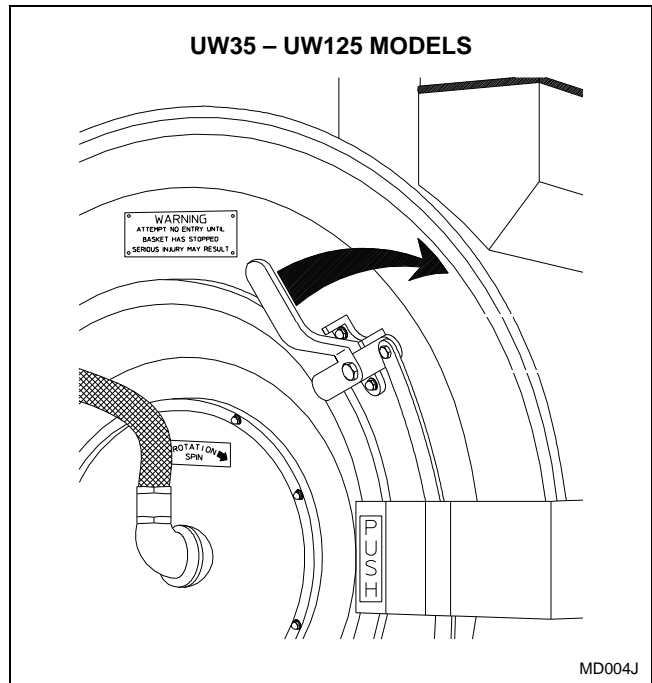


Figure 22

4. On UW150 models, use left hand to press and hold the door unlock button located on the door box. Refer to *Figure 23*.

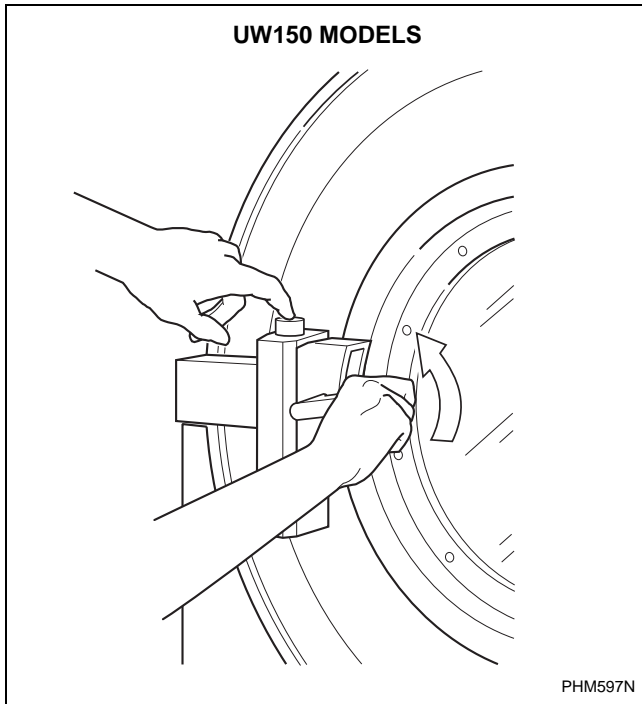


Figure 23

5. On UW150 models, use right hand to turn door handle counterclockwise and swing the door right to open. Refer to *Figure 23*.

6. Load the washer-extractor to full capacity whenever possible, but do not exceed the rated dry-weight capacity of the machine if the fabric to be washed is quite dense, closely woven, and heavily soiled.

Overloading can result in an inferior wash. The operator may need to experiment to determine load size based on fabric content, soil content, and level of cleanliness required. Do not underload the machine. Underloading can result in premature bearing and sealing failure and out-of-balance situations.

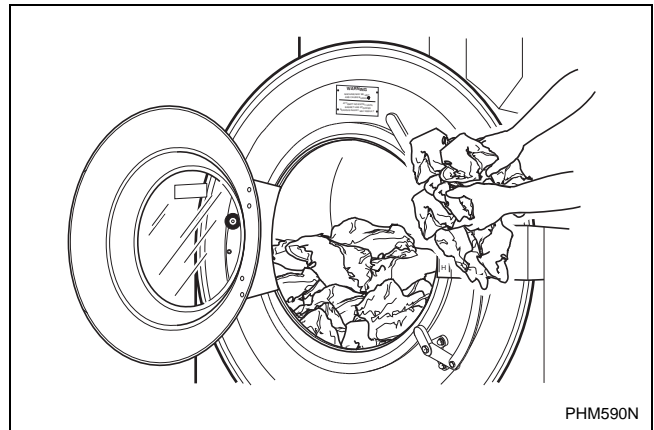



Figure 24

	CAUTION
<p>Be careful around the open door, particularly when loading from a level below the door. Impact with door edges can cause personal injury.</p>	
<small>SW025</small>	

NOTE: When washing items which may disintegrate or fragment, such as mop heads or sponges, use laundry nets to prevent drain blockage.

IMPORTANT: To prevent out-of-balance conditions, premature wear or damage to machine when using laundry nets, use several small nets in a load.

7. When loading is complete, ensure that all fabric is inside the basket. Then close and lock the door.
8. Add dry supplies in the supply dispenser compartment cups prior to the start of each cycle.

Liquid supplies can be injected directly into the supply dispenser by an external chemical supply system.

NOTE: Supply dispenser compartment cups must *not* be removed when an external chemical injection supply system is attached to the washer-extractor.

9. Find the cycle number of the desired wash cycle. Cycle numbers must be two-digit numbers from 01 to 39.

NOTE: Press keypads at their centers just hard enough to activate them.

Press the numbers desired on the keyboard and note that these numbers are displayed after “NEXT.”

When keypads are pressed on the keyboard, a signal will be heard. If an error is made, press the numbers again. As numbers are entered, they move from right to left on the display.

10. To start the selected cycle, press the Start keypad. If the selected cycle number is not in the control memory, the display will show “NCYC.” If this happens, select another cycle. Otherwise, the display will now show the first step. For example, if the display reads “HL01,” “HL” represents a hot fill to low level, and “01” indicates that this is the first step of the cycle.

As the cycle proceeds, the display will show the function being executed, the step number, and the cycle number selected. Pressing the Edit Cycle keypad while the cycle is running will cause the display to show the remaining cycle time in minutes. Pressing this keypad again will return the display to normal.

To begin the cycle at any step other than the first step, press the Advance keypad to advance through the cycle to the desired starting point. (The Advance keypad is enabled at the factory and can be disabled at the laundry site.) Then press the Start keypad.

It is possible to skip to the next step in a cycle, with the exception of a drain step: drain steps must be allowed time to complete.

When the display shows the step desired to begin the cycle, press the Start keypad.

If the door is not locked, the display will indicate “CLOSE” and “DOOR.” If this occurs, be sure the door is closed and locked and press the Start keypad again.

If the LED indicator lights for the control outputs indicate that one or more outputs are activated but the washer-extractor is not functioning according to the output or outputs indicated, contact a service technician.

As water fills the washer-extractor, one or more of the indicator lights located to the left of the keyboard will come on and stay on until the required water level is reached. LED dots located immediately above the last three digits on the right of the control display will illuminate to indicate the water level(s) reached:

- When the indicator dot above the last digit on the right is lit, the low water level has been reached.
 - When the dot above the next-to-the-last digit is lit, medium water level (optional) has been reached.
 - When the dot over the third digit from the right has been lit, high level has been reached.
11. The cycle will continue until its completion. Then the display will read “DONE.”

UW Models with A-Control

1. When display shows “Cyxx,” washer-extractor is ready to be loaded with laundry.
2. Use left hand to press and hold the door unlock button located on the lower right front of the control panel. Refer to *Figure 25*.

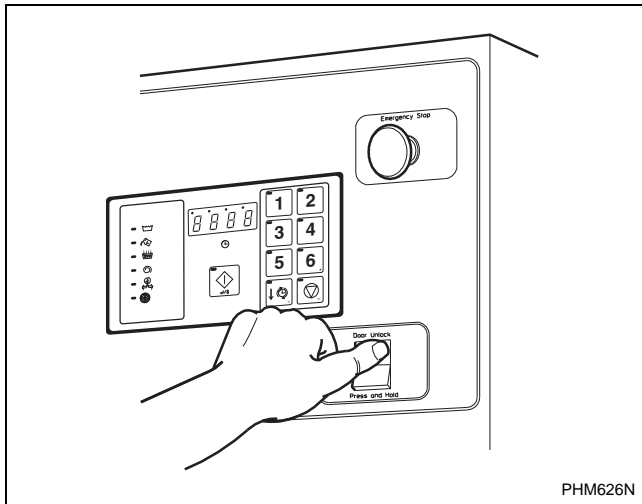


Figure 25

3. Use right hand to turn door handle clockwise and swing the door left to open. Refer to *Figure 26*.

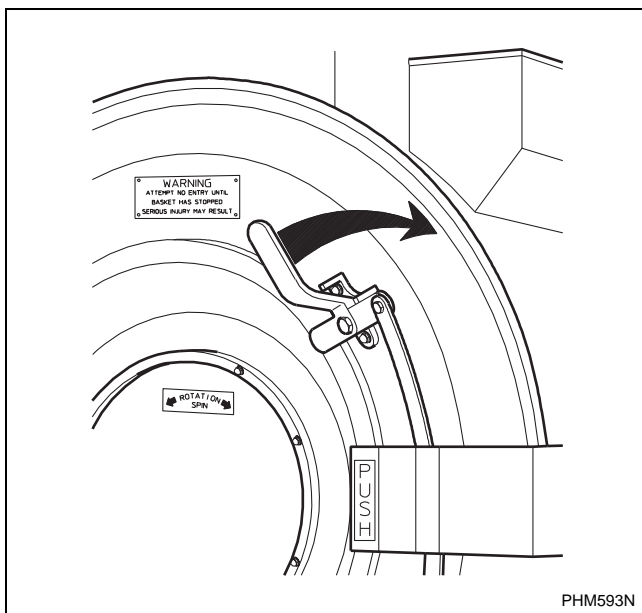


Figure 26

4. Load the washer-extractor to full capacity whenever possible, but do not exceed the rated dry-weight capacity of the machine if the fabric to be washed is quite dense, closely woven, and heavily soiled.

Overloading can result in an inferior wash. The operator may need to experiment to determine load size based on fabric content, soil content, and level of cleanliness required. Do not underload the machine. Underloading can result in premature bearing and sealing failure and out-of-balance situations.

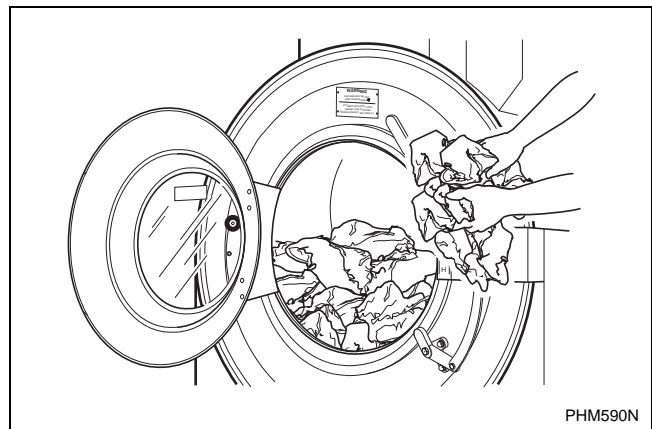



Figure 27

	WARNING
<p>Do not operate machine in a cycle with program keymode switch in program position. Program keymode switch must be in run position at all times, except when editing or programming cycle or setup information.</p>	
W528	

	WARNING
<p>Do not operate machine in a cycle or if spinning with program keymode switch in program position.</p>	
W529	

	CAUTION
<p>Be careful around the open door, particularly when loading from a level below the door. Impact with door edges can cause personal injury.</p>	
<small>SW025</small>	

NOTE: When washing items which may disintegrate or fragment, such as mop heads or sponges, use laundry nets to prevent drain blockage.

IMPORTANT: To prevent out-of-balance conditions, premature wear or damage to machine when using laundry nets, use several small nets in a load.

5. When loading is complete, make sure that all fabric is inside the basket.
6. Close and lock the door.
7. Dry supplies can be placed in the supply dispenser compartment cups prior to the start of each cycle.

Liquid supplies can be injected directly into the supply dispenser by an external chemical supply system.

NOTE: Supply dispenser compartment cups must not be removed when an external chemical injection supply system is attached to the washer-extractor.

8. The default wash cycle will display. If desired, select a different cycle at this point.
9. Press the Start keypad.

NOTE: The cycle number can be changed during the FIRST FILL ONLY by pressing another cycle select key.

At the conclusion of the cycle, the display will show 'doNE'. The door can be unlocked. At this point the washer-extractor may be unloaded.

When the door is opened, the display will revert to showing "----" and the default cycle.

UW Models with B-Control

1. When display shows “----,” washer-extractor is ready to be loaded with laundry.
2. Use left hand to press and hold the door unlock button located on the lower right front of the control panel. Refer to *Figure 28*.

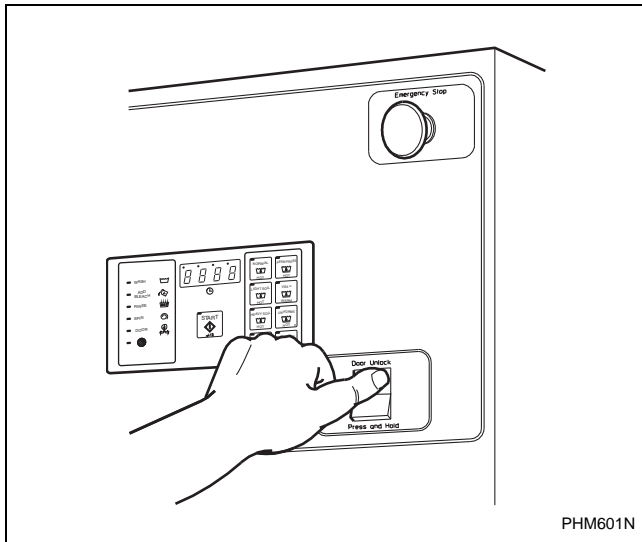


Figure 28

3. Use right hand to turn door handle clockwise and swing the door left to open. Refer to *Figure 29*.

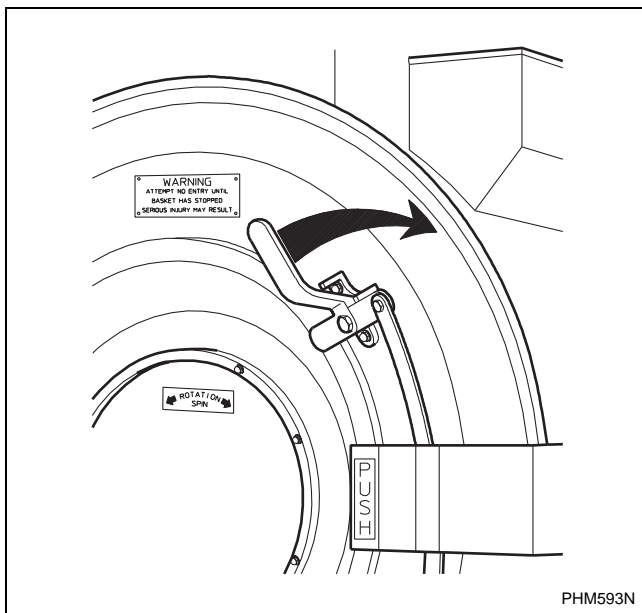


Figure 29

4. Load the washer-extractor to full capacity whenever possible, but do not exceed the rated dry-weight capacity of the machine if the fabric to be washed is quite dense, closely woven, and heavily soiled.

Overloading can result in an inferior wash. The operator may need to experiment to determine load size based on fabric content, soil content, and level of cleanliness required. Do not underload the machine. Underloading can result in premature bearing and sealing failure and out-of-balance situations.

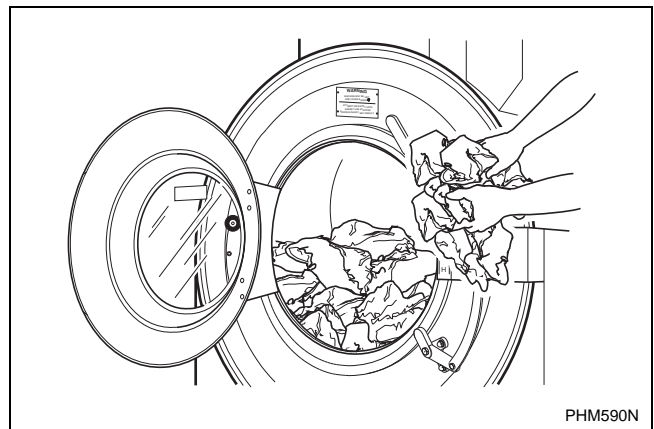



Figure 30

	WARNING
<p>Do not operate machine in a cycle with program keymode switch in program position. Program keymode switch must be in run position at all times, except when editing or programming cycle or setup information.</p>	
W528	

	WARNING
<p>Do not operate machine in a cycle or if spinning with program keymode switch in program position.</p>	
W529	

	CAUTION
<p>Be careful around the open door, particularly when loading from a level below the door. Impact with door edges can cause personal injury.</p>	
<small>SW025</small>	

NOTE: When washing items which may disintegrate or fragment, such as mop heads or sponges, use laundry nets to prevent drain blockage.

IMPORTANT: To prevent out-of-balance conditions, premature wear or damage to machine when using laundry nets, use several small nets in a load.

5. When loading is complete, make sure that all fabric is inside the basket.
6. Close and lock the door.
7. Dry supplies can be placed in the supply dispenser compartment cups prior to the start of each cycle. Be sure to return the supply dispenser compartment cups before the start of each cycle.
8. Liquid supplies can be injected directly into the supply dispenser by an external chemical supply system.

NOTE: Supply dispenser compartment cups must *not* be removed when an external chemical injection supply system is attached to the washer-extractor.

9. Select the desired cycle. The corresponding LED indicator for that cycle will light.
10. Press the Start keypad.

NOTE: The cycle number can be changed during the **FIRST FILL ONLY** by pressing another cycle select key.

11. At the conclusion of the cycle, the display will show 'doNE'. The door can be unlocked. At this point the washer-extractor may be unloaded.
12. When the door is opened, the display will revert to showing "----" and the default cycle.

Disposal of Unit

This appliance is marked according to the European directive 2002/96/EC on Waste Electrical and Electronic Equipment (WEEE).

This symbol on the product or on its packaging indicates that this product shall not be treated as household waste. Refer to *Figure 31*. Instead it shall be handed over to the applicable collection point for the recycling of electrical and electronic equipment. Ensuring this product is disposed of correctly will help prevent potential negative consequences for the environment and human health which could otherwise be caused by inappropriate waste handling of this product. The recycling of materials will help to conserve natural resources. For more detailed information about recycling of this product, please contact the local city office, household waste disposal service, or the source from which the product was purchased.

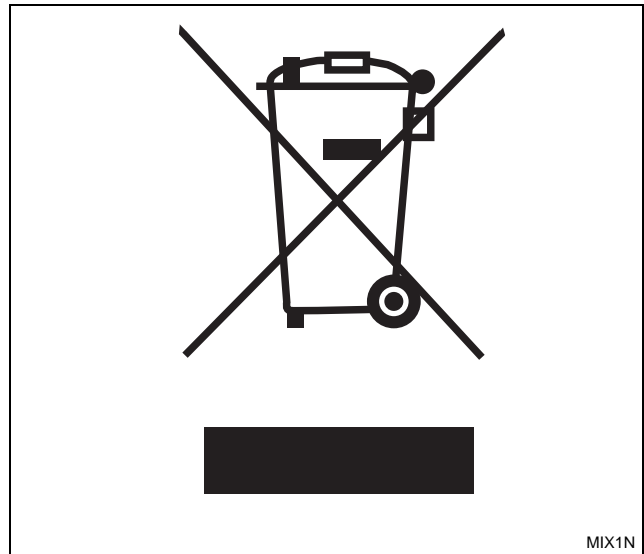


Figure 31