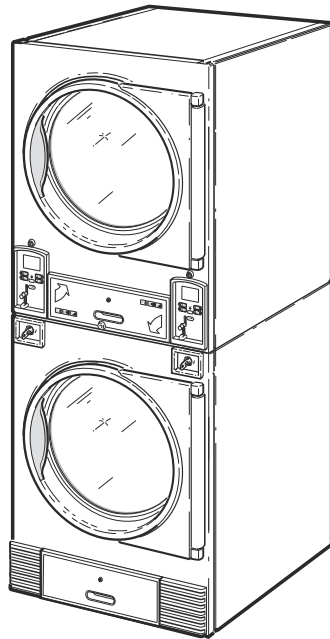


Drying Tumblers

Stacked 30 Pound Capacity
15 Digit Model Numbers with 2 in 12th Position
Refer to Page 5 for Model Numbers



T477C_70304801

Table of Contents

Title	Page
Parts Ordering Information.....	3
Serial Plate Location	3
Model Identification	5
Product Overview - Heat Source and Voltage	6
Product Overview - Control Suffixes (Drawing 1 of 3).....	8
Product Overview - Control Suffixes (Drawing 2 of 3).....	10
Product Overview - Control Suffixes (Drawing 3 of 3).....	12
Single Drop Control Components	14
Dual Digital Timer Components	16
DX4 Control Components	18
Coin Drop Components for MDC Models.....	20
Card Reader Components for MDC Models	22
Coin Drops	24
Coin Drop Kits	26
Electronic Coin Drop Components.....	28
Card Reader Components for Micro Models.....	30
Coin Drop Components for NetMaster Models	32
Card Reader Components for NetMaster Models.....	34
Network Board for NetMaster Models	36
Coin Drop Components for Quantum Models.....	38
Card Reader Components for Quantum Models	40
Network Board	42
Communication Board	44
Coin Drop Components for Galaxy 600 Models	46
Card Reader Components for Galaxy 600 Models	48
LED OPL Control	50
Door Assemblies.....	52
Door Ring and Handle	54
Door Components.....	56
Door Hinge Components	58
Upper Front Panel Assemblies and False Fronts	60
Lower Front Panel Assemblies	62
Upper Cabinet Front Components (Drawing 1 of 2).....	64
Upper Cabinet Front Components (Drawing 2 of 2).....	66
Lower Cabinet Front Components	68
Emergency Stop Button for CE Models	70
Lint Drawer Components	72
Lint Drawer Overlays	74
Cylinder and Trunnion Components	76
Bearing Components	78
Cabinet Components	80

© Copyright 2024, Alliance Laundry Systems LLC

All rights reserved. No part of the contents of this book may be reproduced or transmitted in any form or by any means without the expressed written consent of the publisher.

Touch-Up Paint	82
Drive Motor Components	84
Drive Motors and Motor Capacitors	86
Exhaust Components	88
Blower Components	90
Moisture Sensing Components	92
Gas Burner Housing and Secondary Stove Limit	94
Airflow Switch	96
Gas Valve and Piping - All Non-CE and Non-Australian Gas Models and CE and Australian Models Starting 1/1/14 98	
Burner Orifices - Non-CE and Non-Australian Gas Models	100
Gas Valve and Piping - CE and Australian Gas Models Through 12/31/13	102
Electric Heater Components	104
Steam Heater Components	106
Control Tray Harness - Gas Models	108
Control Tray Components - Non-CE and Non-Australian Gas Models (Drawing 1 of 2)	110
Control Tray Components - Non-CE and Non-Australian Gas Models (Drawing 2 of 2)	112
Control Tray Components - CE and Australian Gas Models (Drawing 1 of 2)	114
Control Tray Components - CE and Australian Gas Models (Drawing 2 of 2)	116
Control Tray Harnesses - Steam Models	118
Control Tray Components - Non-CE Steam Models	120
Control Tray Components - CE Steam Models	122
Accessory Box Harnesses - Electric Models	124
Accessory Box Components - Non-CE Electric Models	126
Accessory Box Components - CE Electric Models	128
Parts Index	131

Parts Ordering Information

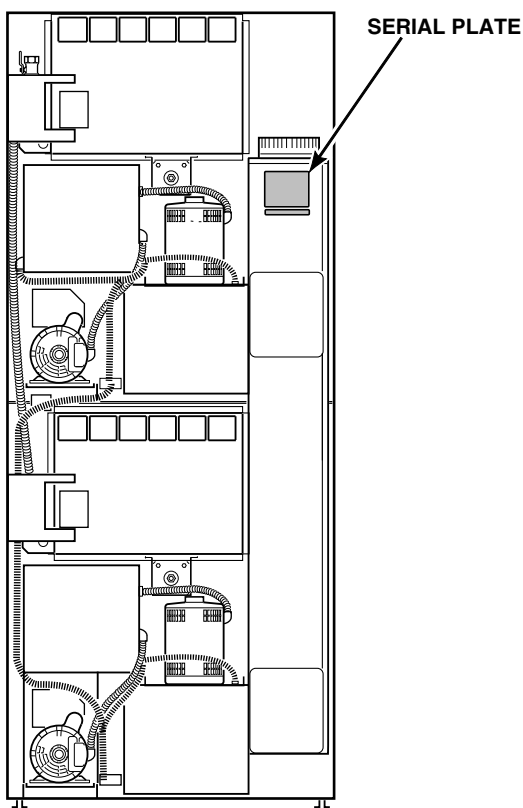
If literature or replacement parts are required, contact the source from whom the machine was purchased or contact Alliance Laundry Systems at (920) 748-3950 for the name and address of the nearest authorized parts distributor.

For technical assistance, call the number listed below:

(920) 748-3121 Ripon, Wisconsin

Serial Plate Location

When calling or writing about your product, be sure to mention model and serial numbers. Model and serial numbers are located on serial plate(s) as shown.



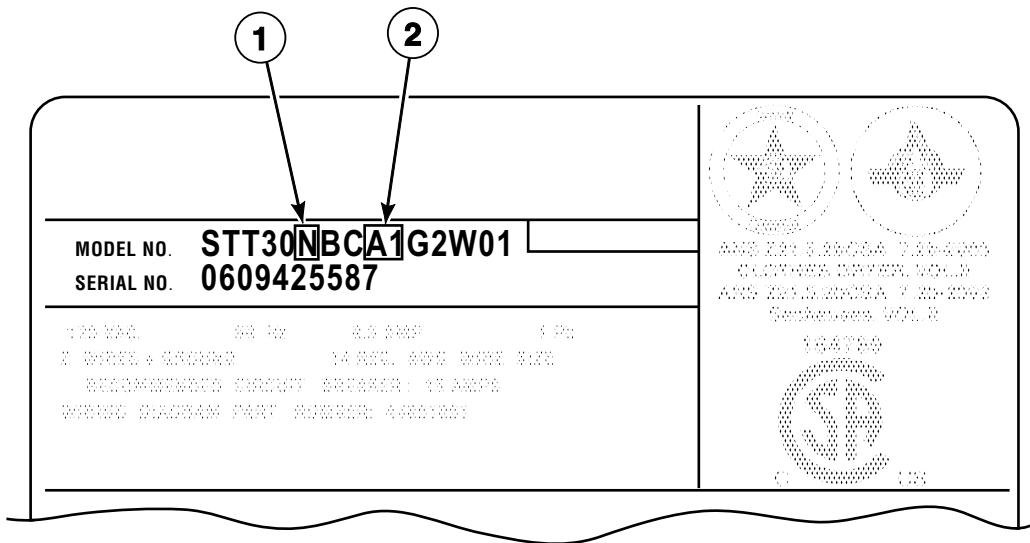
TMB1974N_70304801

Model Identification

Information in this manual is applicable to these tumbler models:

BAT30L	GAT30L	ITT30E	MTT30D	STT30D
BAT30N	GAT30N	ITT30F	MTT30E	STT30E
BHT30E	GHT30E	ITT30L	MTT30F	STT30F
BHT30F	GHT30L	ITT30N	MTT30L	STT30L
BHT30L	GHT30N	ITT30R	MTT30N	STT30N
BHT30N	GHT30S	ITT30S	MTT30R	STT30R
BHT30R	GKT30N	KAT30L	MTT30S	STT30S
BHT30S	GTT30E	KAT30N	NHT30E	SUT30E
BKT30N	GTT30L	KKT30N	NHT30L	SUT30F
BKT30R	GTT30N	KTT30E	NHT30N	SUT30L
BTT30D	GTT30S	KTT30L	NHT30S	SUT30N
BTT30E	GUT30E	KTT30N	NTT30E	SUT30R
BTT30F	GUT30L	KTT30S	NTT30L	SUT30S
BTT30L	GUT30N	KUT30E	NTT30N	SZT30E
BTT30N	GUT30S	KUT30L	NTT30N_SERIAL_THROUGH_0904	UAT30L
BTT30R	HAT30L	KUT30N	NTT30S	UAT30N
BTT30S	HAT30N	KUT30S	NUT30E	UHT30E
BUT30E	HHT30E	LAT30L	NUT30L	UHT30F
BUT30F	HHT30F	LAT30N	NUT30N	UHT30L
BUT30L	HHT30L	LKT30N	NUT30S	UHT30N
BUT30N	HHT30N	LTT30E	PAT30L	UHT30R
BUT30R	HHT30R	LTT30L	PAT30N	UHT30S
BUT30S	HHT30S	LTT30N	PHT30E	UKT30N
CAT30L	HKT30N	LTT30S	PHT30L	UKT30R
CAT30N	HKT30R	LUT30E	PHT30N	UTT30E
CKT30N	HTT30D	LUT30L	PHT30S	UTT30F
CTT30E	HTT30E	LUT30N	PKT30N	UTT30L
CTT30L	HTT30F	LUT30S	PTT30E	UTT30N
CTT30N	HTT30L		PTT30L	UTT30R
CTT30S	HTT30N		PTT30N	UTT30S
CUT30E	HTT30R		PTT30S	UUT30E
CUT30L	HTT30S		PUT30E	UUT30F
CUT30N	HUT30E		PUT30L	UUT30L
CUT30S	HUT30F		PUT30N	UUT30N
	HUT30L		PUT30S	UUT30R
	HUT30N		SAT30L	UUT30S
	HUT30R		SAT30N	
	HUT30S		SHT30E	
			SHT30F	
			SHT30L	
			SHT30N	
			SHT30R	
			SHT30S	
			SKT30N	
			SKT30R	

Product Overview - Heat Source and Voltage

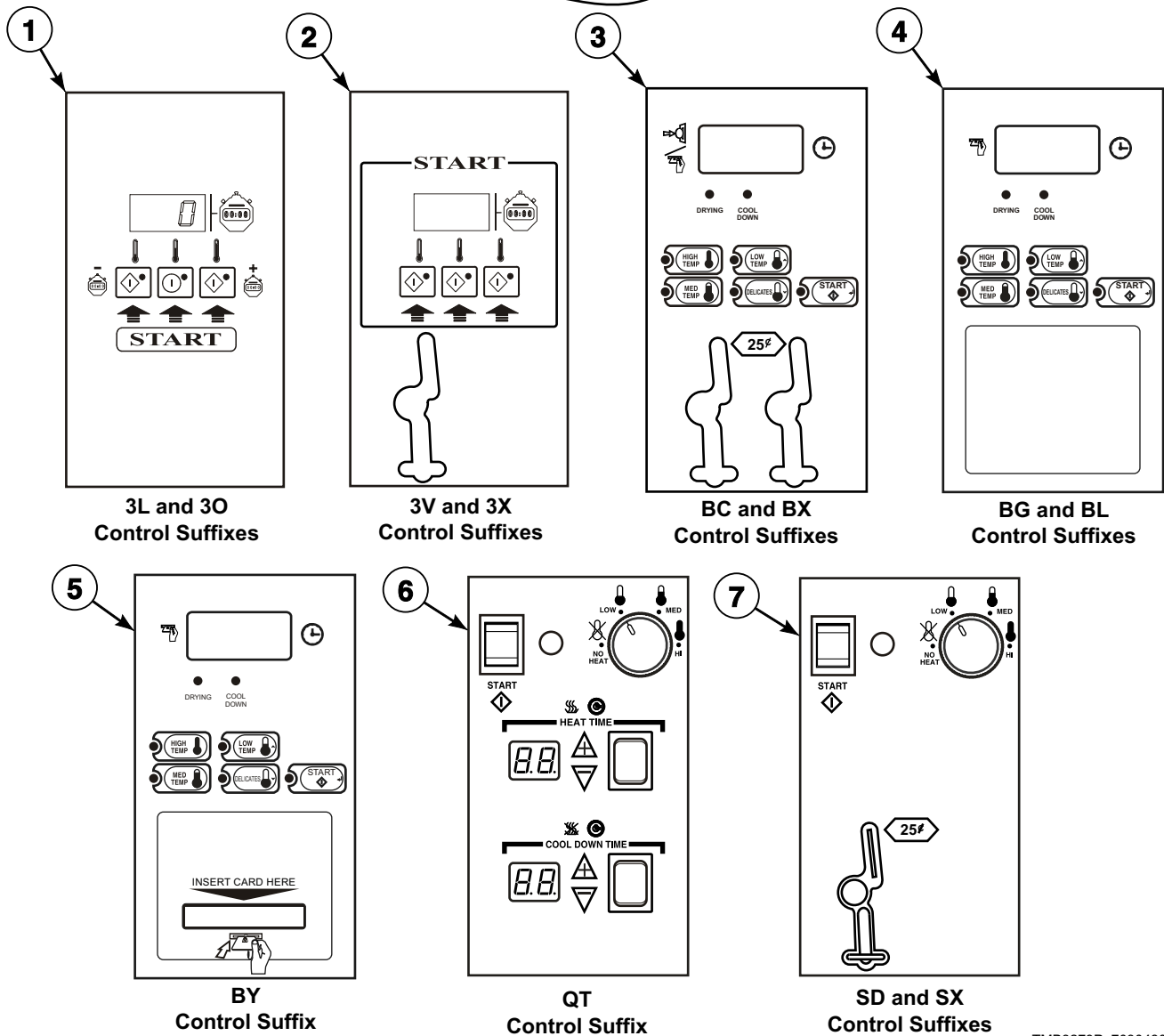
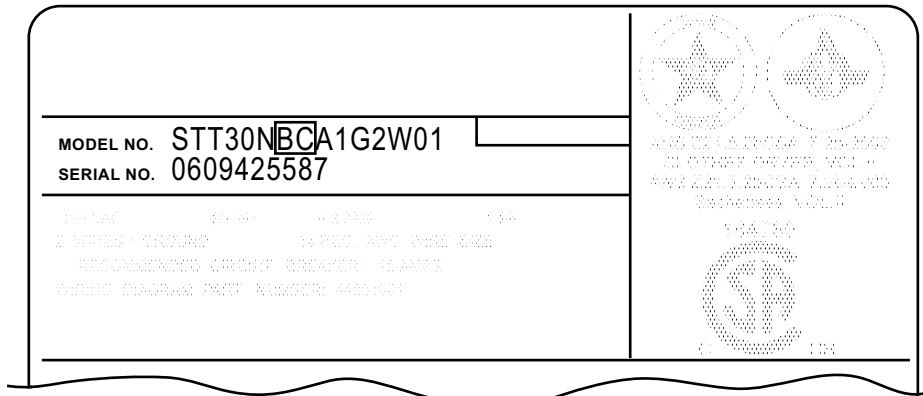


TMB2736P_70304801

Product Overview - Heat Source and Voltage

REF	PART NO.	DESCRIPTION	COMMENTS
1	-	Heat Source	D: Liquid Petroleum Gas (L.P) E: Electric F: Reduced Electric (Eco Line) L: Liquid Petroleum Gas (L.P.) N: Natural Gas (N.G.) R: Reduced Gas, Natural Gas (Eco Line) S: Steam
2	-	Voltage	A1: 100, 200 Volt/50 Hertz/1 Phase A2: 100, 200-220 Volt/60Hertz/1 Phase B2: 120, 208-240 Volt/60 Hertz/1 Phase F1: 200 Volt/50 Hertz/1 Phase F2: 200 Volt/60 Hertz/1 Phase F4: 200 Volt/50 Hertz/3 Phase F5: 200-208 Volt/60 Hertz/3 Phase F6: 200-208, 240 Volt/60 Hertz/3 Phase G1: 208 Volt/60 Hertz/1 Phase G2: 208-240 Volt/60 Hertz/1 Phase J1: 230 Volt/50 Hertz/1 Phase J2: 230-240 Volt/50 Hertz/1 Phase J4: 240 Volt/60 Hertz/1 Phase J5: 230 Volt/50 Hertz/3 Phase J6: 230-240 Volt/50 Hertz/3 Phase J8: 240 Volt/60 Hertz/3 Phase M1: 380 Volt/50 Hertz/3 Phase M2: 380, 400-415 Volt/50 Hertz/3 Phase M3: 380 Volt/60 Hertz/3 Phase N1: 400-415 Volt/50 Hertz/3 Phase P1: 440 Volt/60 Hertz/3 Phase Q1: 460-480 Volt/60 Hertz/3 Phase

Product Overview - Control Suffixes (Drawing 1 of 3)



TMB3279P_70304801

Product Overview - Control Suffixes (Drawing 1 of 3)

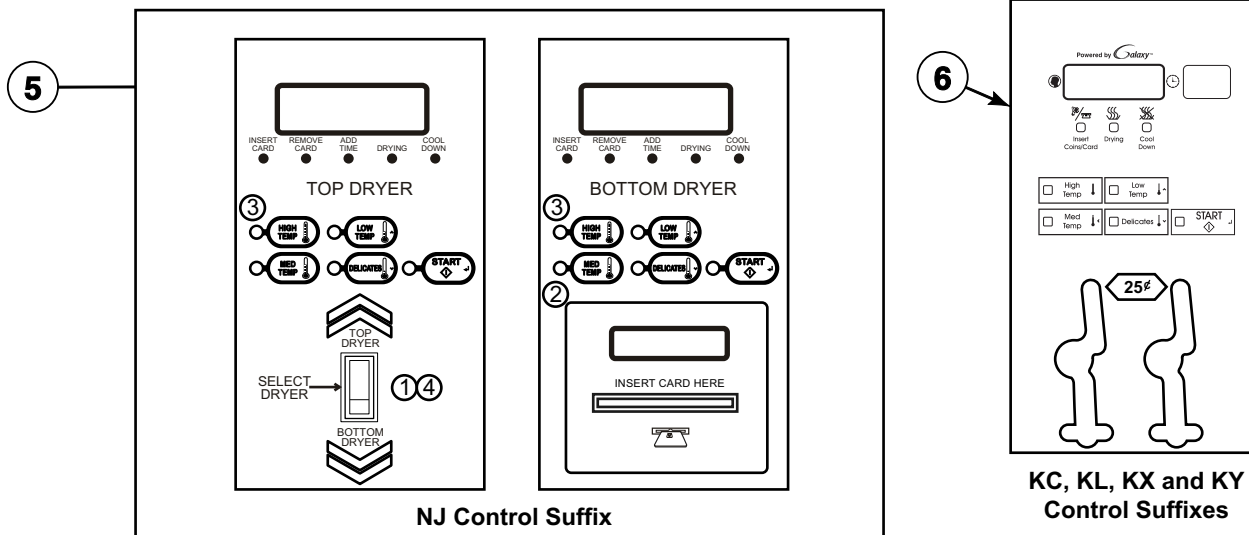
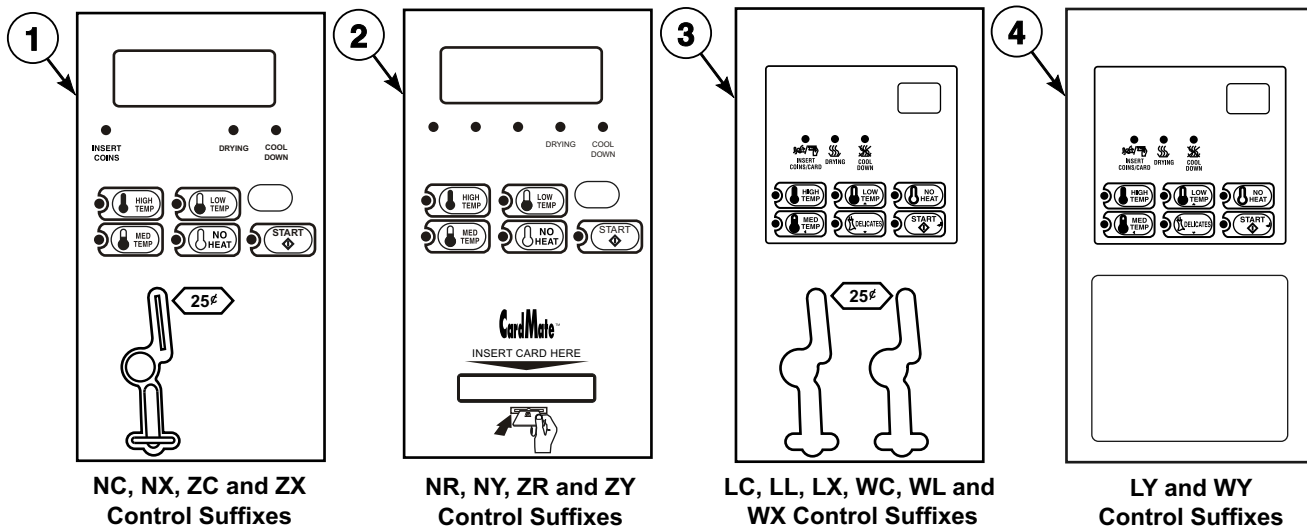
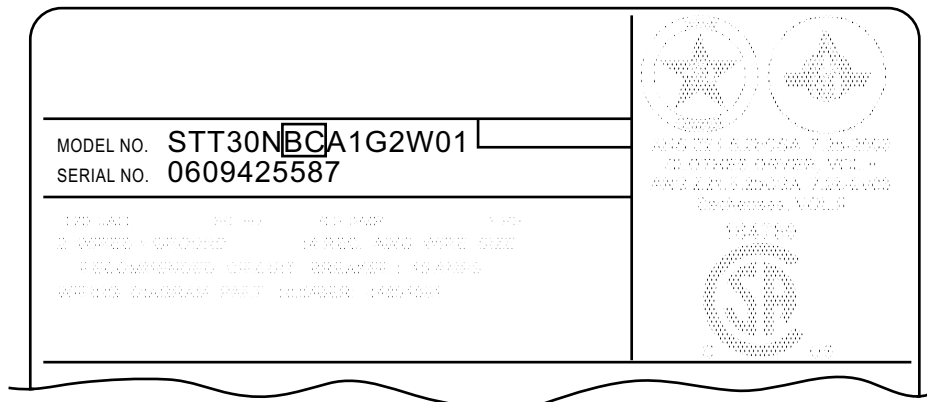
REF	PART NO.	DESCRIPTION	COMMENTS
1	-	Control - Nonreversing	3L: DX4 prep for central pay 3O: DX4 OPL
2	-	Control - Nonreversing	3V: DX4 vended 3X: DX4 prep for coin
3	-	Control - Nonreversing	BC: basic electronic, coin BX: basic electronic, prep for coin
4	-	Control - Nonreversing	BG: basic electronic, OPL BL: basic electronic, central pay
5	-	Control - Nonreversing	BY: basic electronic, prep for card
6	-	Control - Nonreversing	QT: dual digital timer
7	-	Control - Nonreversing	SD: single drop SX: single drop, prep for coin

NOTE: Coin models have the following control suffixes: 3V, 3X, BC, BX, SD and SX

NOTE: OPL models have the following control suffixes: 3L, 3O, BG, BL, BY and QT

Product Overview - Control Suffixes (Drawing 2 of 3)

All Models Except L and N Models



TMB3280P_70304801

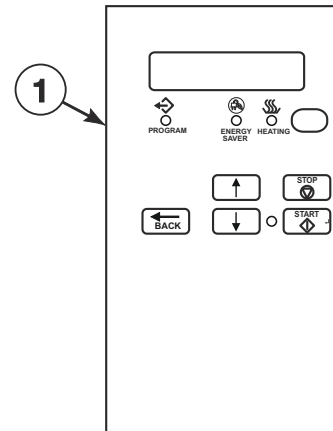
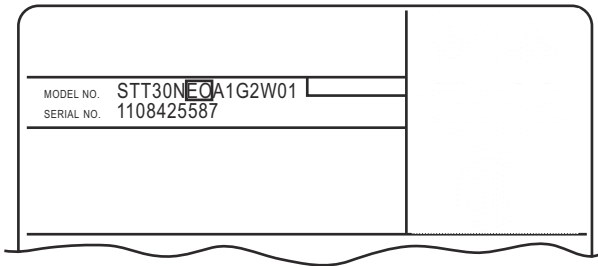
Product Overview - Control Suffixes (Drawing 2 of 3)

REF	PART NO.	DESCRIPTION	COMMENTS
1	-	Control - Nonreversing	NC: NetMaster coin NX: NetMaster, prep for coin ZC: NetMaster network coin ZX: NetMaster network, prep for coin
2	-	Control - Nonreversing	NR: NetMaster card NY: NetMaster, prep for card ZR: NetMaster network card ZY: NetMaster network, prep for card
3	-	Control - Nonreversing	LC: network adaptable coin LL: network adaptable, prep for central pay LX: network adaptable, prep for coin WC: network ready coin WL: network ready, prep for central pay WX: network ready, prep for coin
4	-	Control - Nonreversing	LY: network adaptable, prep for card WY: network ready, prep for card
5	-	Control - Nonreversing	NJ: micro, prep single card reader
6	-	Control - Nonreversing	KC: single coin KL: prep for central pay KX: prep for coin KY: prep for card

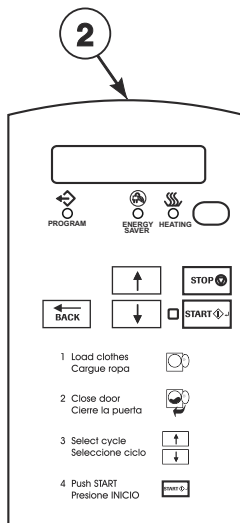
NOTE: Coin models have the following control suffixes: KC, KL, KX, KY, LC, LL, LX, LY, NC, NX, WC, WL, WX, WY, ZC and ZX

NOTE: OPL models have the following control suffixes: NJ, NR, NY, ZR and ZY

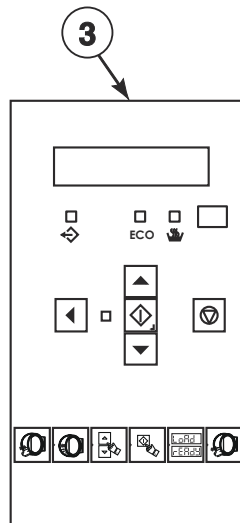
Product Overview - Control Suffixes (Drawing 3 of 3)



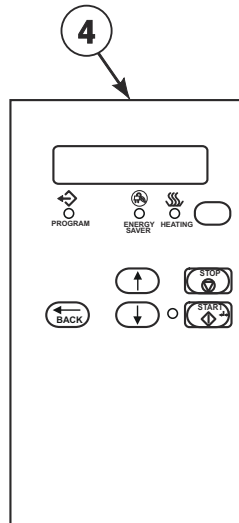
EO Control Suffix



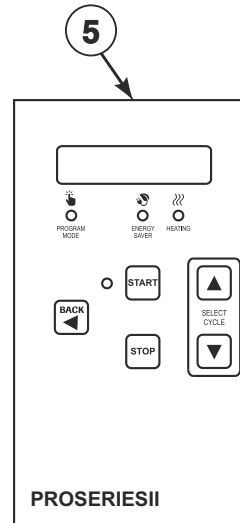
EO Control Suffix



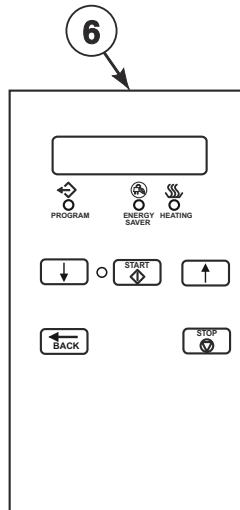
EO Control Suffix



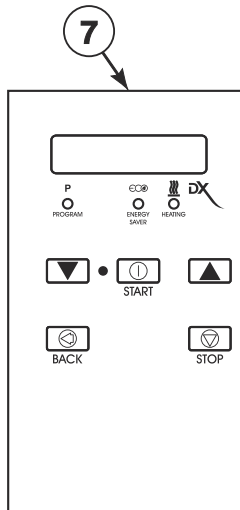
EO Control Suffix



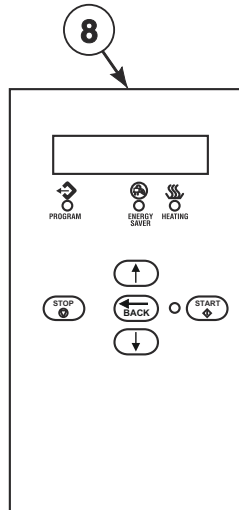
EO Control Suffix



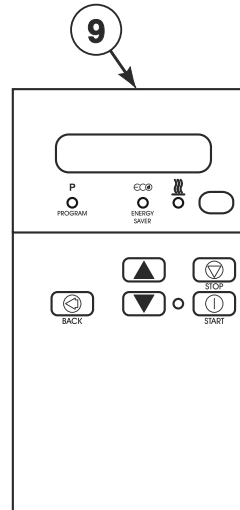
EO Control Suffix



EO Control Suffix



EO Control Suffix



EO Control Suffix

TMB3348P_70304801

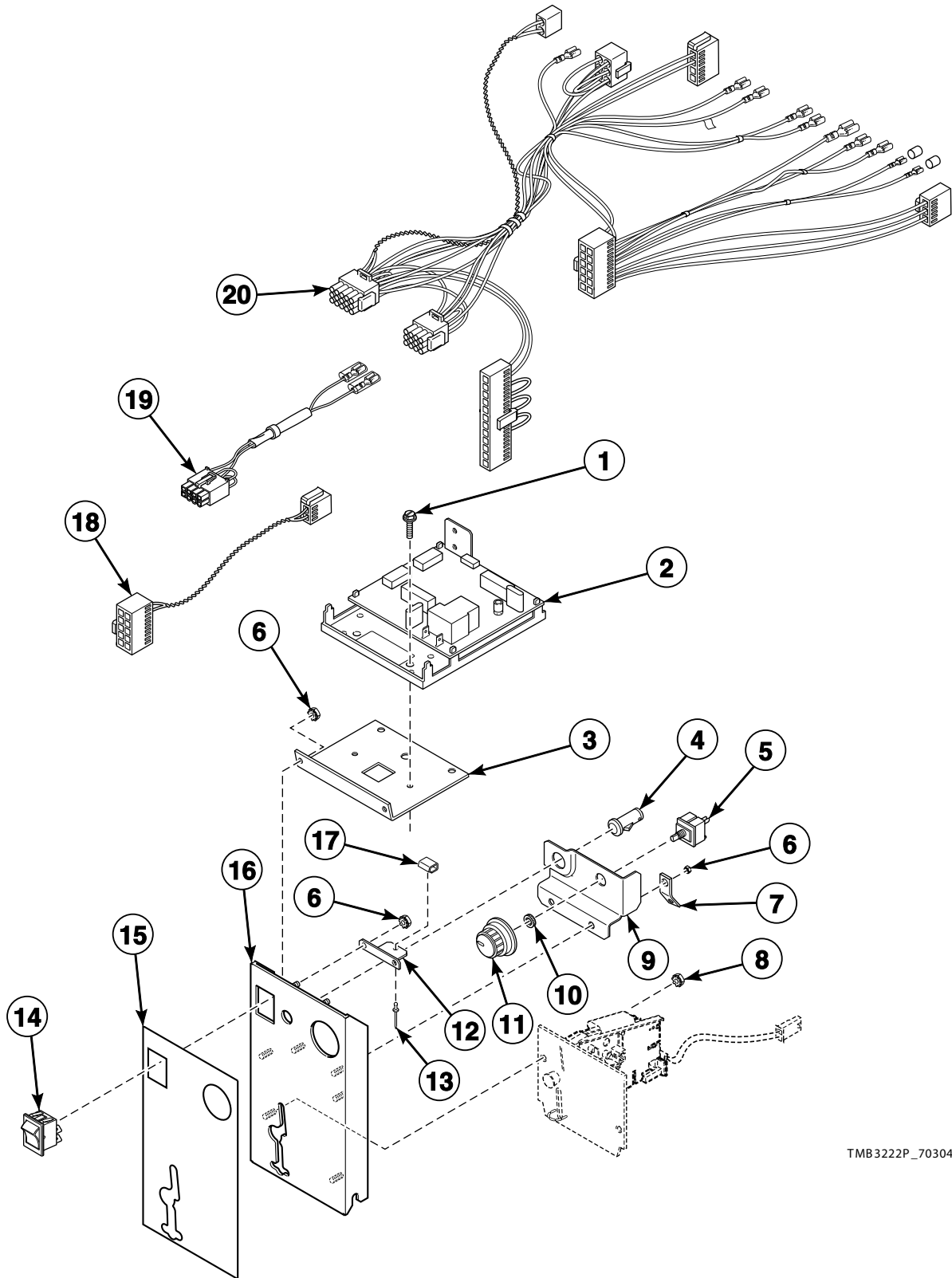
Product Overview - Control Suffixes (Drawing 3 of 3)

REF	PART NO.	DESCRIPTION	COMMENTS
1	-	Control - Nonreversing	S models; EO: LED OPL
2	-	Control - Nonreversing	H models; EO: LED OPL
3	-	Control - Nonreversing	B, C and I models; EO: LED OPL
4	-	Control - Nonreversing	U models; EO: LED OPL
5	-	Control - Nonreversing	G and K models; EO: LED OPL
6	-	Control - Nonreversing	P models; Models through 9/30/14; EO: LED OPL
7	-	Control - Nonreversing	P models; Models starting 10/1/14 through 5/31/15; EO: LED OPL
8	-	Control - Nonreversing	N models; L models through 5/31/15; EO: LED OPL
9	-	Control - Nonreversing	L and P models starting 6/1/15; EO: LED OPL

NOTE: OPL models have the following control suffixes: EO

Single Drop Control Components

C, H, I and S Models Through 3/31/10 with SD and SX Control Suffixes



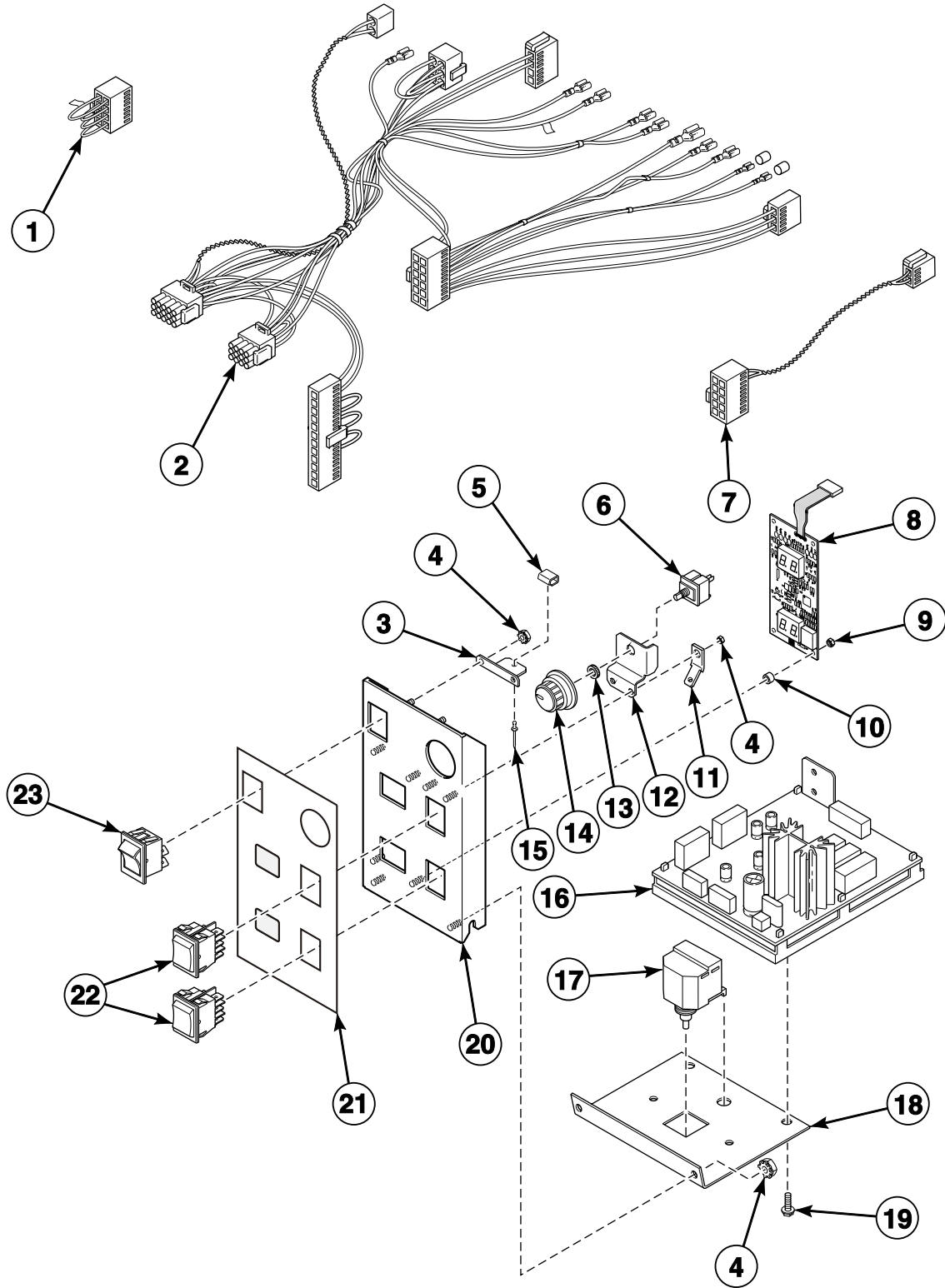
TMB3222P_70304801

Single Drop Control Components

REF	PART NO.	DESCRIPTION	COMMENTS
	70346001P	Main Harness	Electric models need 55881 Harness Strap
	70559502	Control Door Latch Kit	
1	D501524	Screw	
2	D513139P	Control Assembly	
3	70357902	Control Chassis Mounting Bracket	
4	801431	Light	
5	D511711	Temperature Selector Switch	
6	70054	Nut	
7	00177	Male Tab Terminal	
8	29786	Nut	
9	70350201	Temperature Selector Bracket	
10	24205	Nut	
11	44104601	Temperature Knob	
12	70119801	Latch Mounting Bracket	
13	M400003	Pop Rivet	
14	70455101	Rocker Switch	Start
15	70362001	Overlay	H models
	70361901	Overlay	All other models
16	70365801	Control Door Assembly	H models; Includes studs
	70365101	Control Door Assembly	All other models
17	431318	Control Door Latch	
18	70324603	Jumper Calibration Wire	SD control suffix
19	70364104P	Coin Vault Switch Harness	Non-CE models
20	70369001	Control Panel Harness	C, H, I and S non-CE and non-Australian models with SD control suffix
	70367101	Control Panel Harness	C, H and S Australian and CE models with SD control suffix

Dual Digital Timer Components

C, H, I, L, N, P, S and U Models
G and K Models Starting 1/16/12
Models with QT Control Suffix



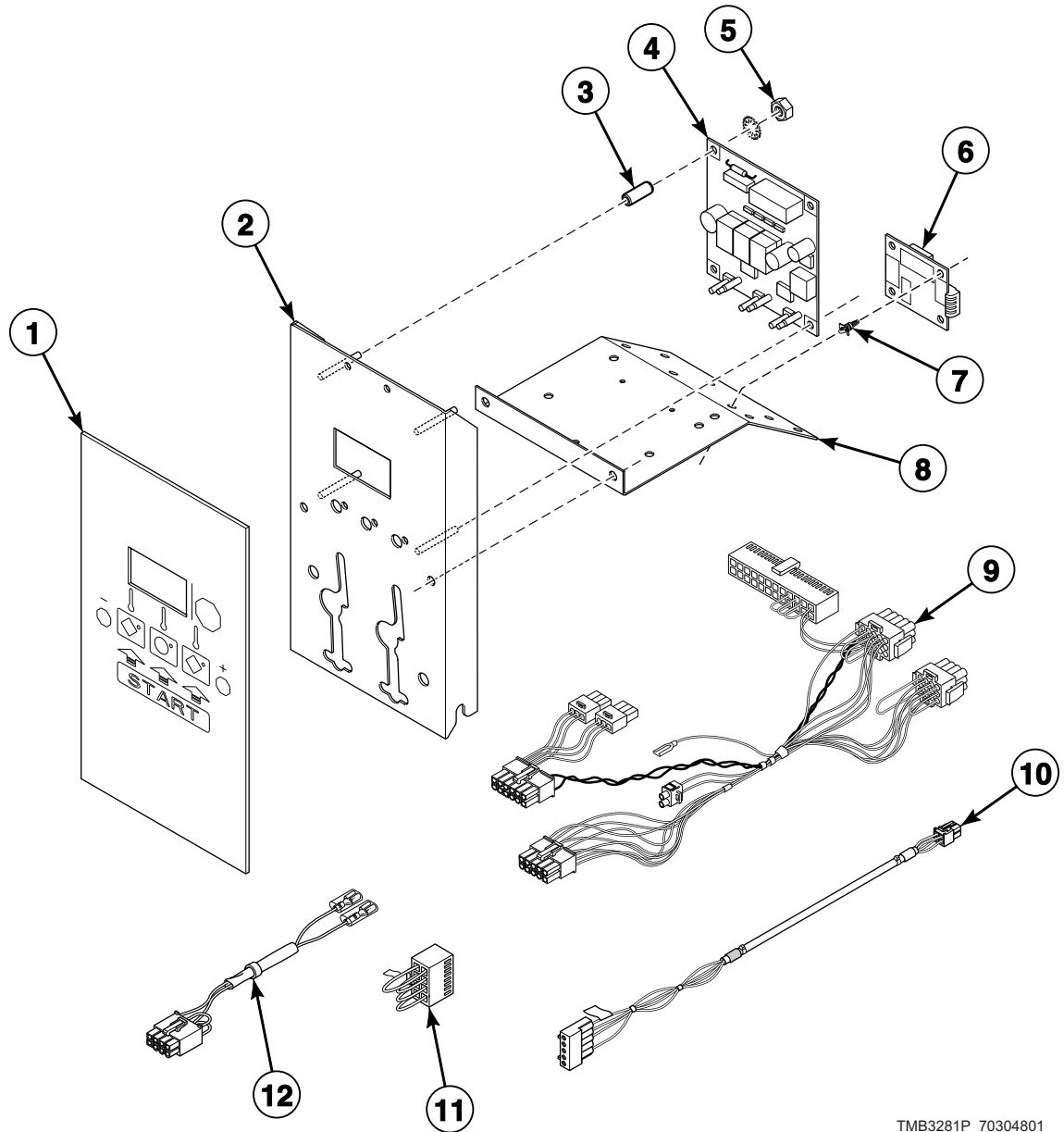
TMB2397P_70304801

Dual Digital Timer Components

REF	PART NO.	DESCRIPTION	COMMENTS
	70346001P	Main Harness	Electric models need 55881 Harness Strap; Models through 1/15/12
	70441401	Main Harness	Electric models need 55881 Harness Strap; Models starting 1/16/12
1	70364103	Bypass Harness	Non-CE models
2	70367001P	Control Panel Harness	
3	70119801	Latch Mounting Bracket	
4	70054	Nut	
5	431318	Control Door Latch	
6	D511711	Temperature Selector Switch	
7	70324603	Jumper Calibration Wire	
8	D512218P	Display Assembly	C and I models through 7/14/14; All other models
	70503101P	Control Assembly	C and I models starting 7/15/14
9	29787	Nut	4 required
10	56079	Panel Locator	4 required
11	00177	Male Tab Terminal	
12	70391701	Temperature Selector Switch Bracket	
13	24205	Nut	
14	44104601	Temperature Knob	
15	M400003	Pop Rivet	
16	D512202P	Control Assembly	
17	M4860P3	Buzzer Kit	Includes harness
18	70357901	Control Chassis Mounting Bracket	
19	D501524	Screw	
20	70365601	Control Plate Assembly	H models; Includes studs
	70361201	Control Door Assembly	All other models; Includes studs
21	70361401	Overlay	H models
	70493901	Overlay	U models starting 8/18/14
	70361301	Overlay	U models through 8/17/14; C and I models through 7/14/14; All other models
	70504801	Overlay	C and I models starting 7/15/14
22	70461301	Rocker Switch	Black button
23	70455101	Rocker Switch	Green button; Start

DX4 Control Components

B, C and I Models with 3L, 3O, 3V and 3X Control Suffixes



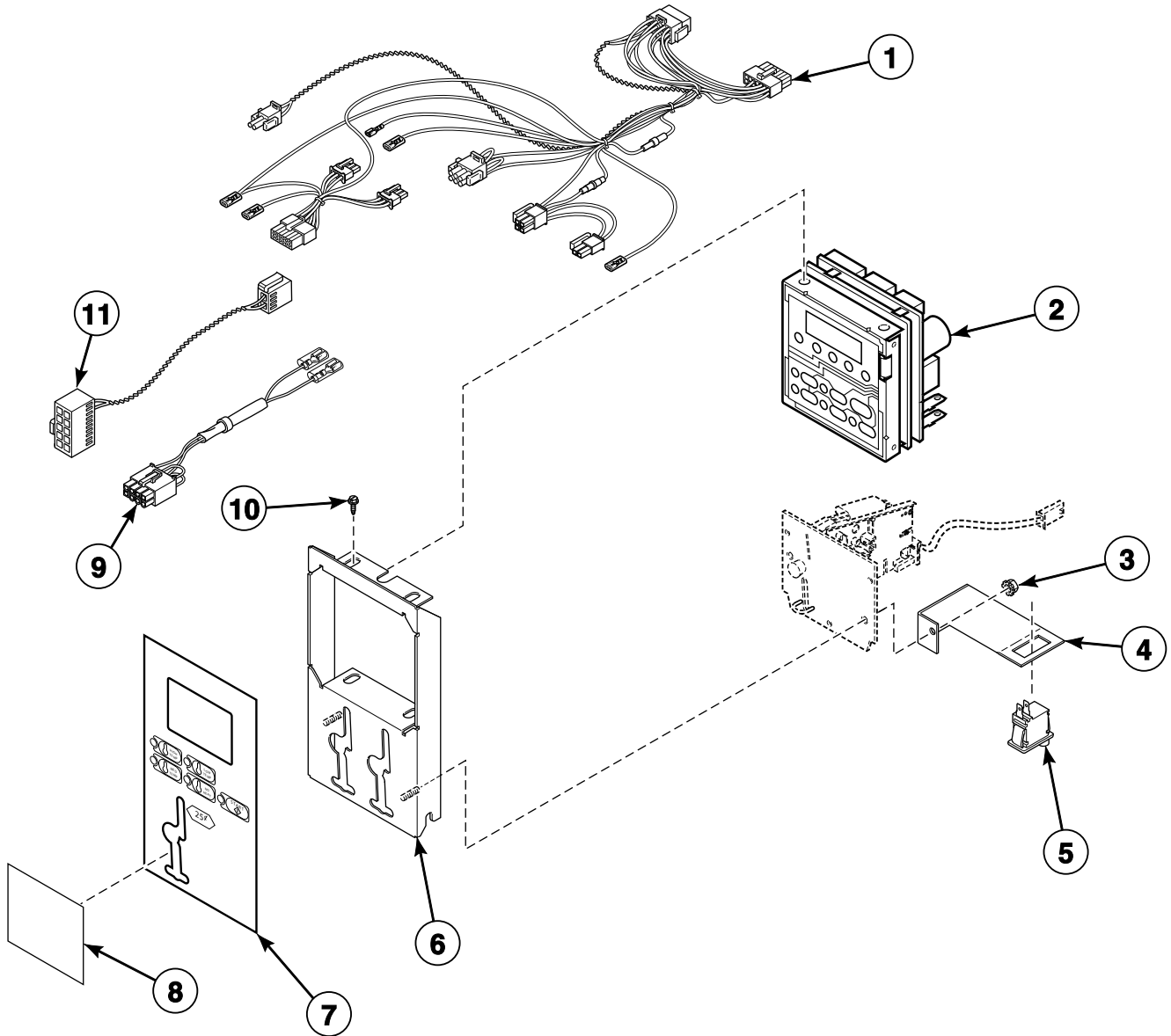
TMB3281P_70304801

DX4 Control Components

REF	PART NO.	DESCRIPTION	COMMENTS
	70441401	Main Harness	Models starting 1/16/12
	70559502	Control Door Latch Kit	Coin
1	70279101	Graphic Overlay	OPL; Models through 7/31/11
	70468201	Graphic Overlay	OPL; Models starting 8/1/11
	70279201	Graphic Overlay	Coin; Single drop; Models through 7/31/11
	70462601	Graphic Overlay	Coin; Single drop; Models starting 8/1/11
	70279202	Graphic Overlay	Coin; Dual drop; Models through 7/31/11
	70462602	Graphic Overlay	Coin; Dual drop; Models starting 8/1/11
	70462603	Graphic Overlay	Prep for central pay
	259/00005/00	Overlay	Pro HC control replacement; Refer to Parts Information Insert 8-18-251 for list of machine serial numbers
2	70279301P	Control Plate Kit	
3	44050601	Sleeve	4 required
4	70462303P	Control Assembly	Non-CE and non-Australian models; 3O control suffix
	70462304P	Control Assembly	CE and Australian models; 3O control suffix
	70462367P	Control Assembly	Non-CE and non-Australian models; 3V and 3X control suffixes
	70462368P	Control Assembly	CE and Australian models; 3V and 3X control suffixes
	70462370	Control Assembly	Non-CE and non-Australian models; 3L control suffix
	70462371	Control Assembly	CE and Australian models; 3L control suffix
	254/00070/00P	Control Board	Pro HC control replacement; Refer to Parts Information Insert 8-18-251 for list of machine serial numbers
5	29787	Nut	
6	209/00471/75	Central Pay Interface Control Assembly	3L control suffix
7	211/00119/00	Standoff	3L control suffix; 4 required
8	70179001	Mounting Bracket	CE models; All other models with 3L control suffix
9	70485301	Control Panel Harness	Non-CE and non-Australian models
	70489901	Control Panel Harness	CE and Australian models
10	70491501	Central Pay Harness	Lower; 3L control suffix
	70491502	Central Pay Harness	Upper; 3L control suffix
11	70364103	Bypass Harness	Non-CE models; 3O, 3W, 3X and R3 control suffixes
12	70364104P	Coin Vault Switch Harness	Non-CE models; 3V and 3B control suffixes

Coin Drop Components for MDC Models

G, H, I, K, L, N, P and S Models with BC and BX Control Suffixes



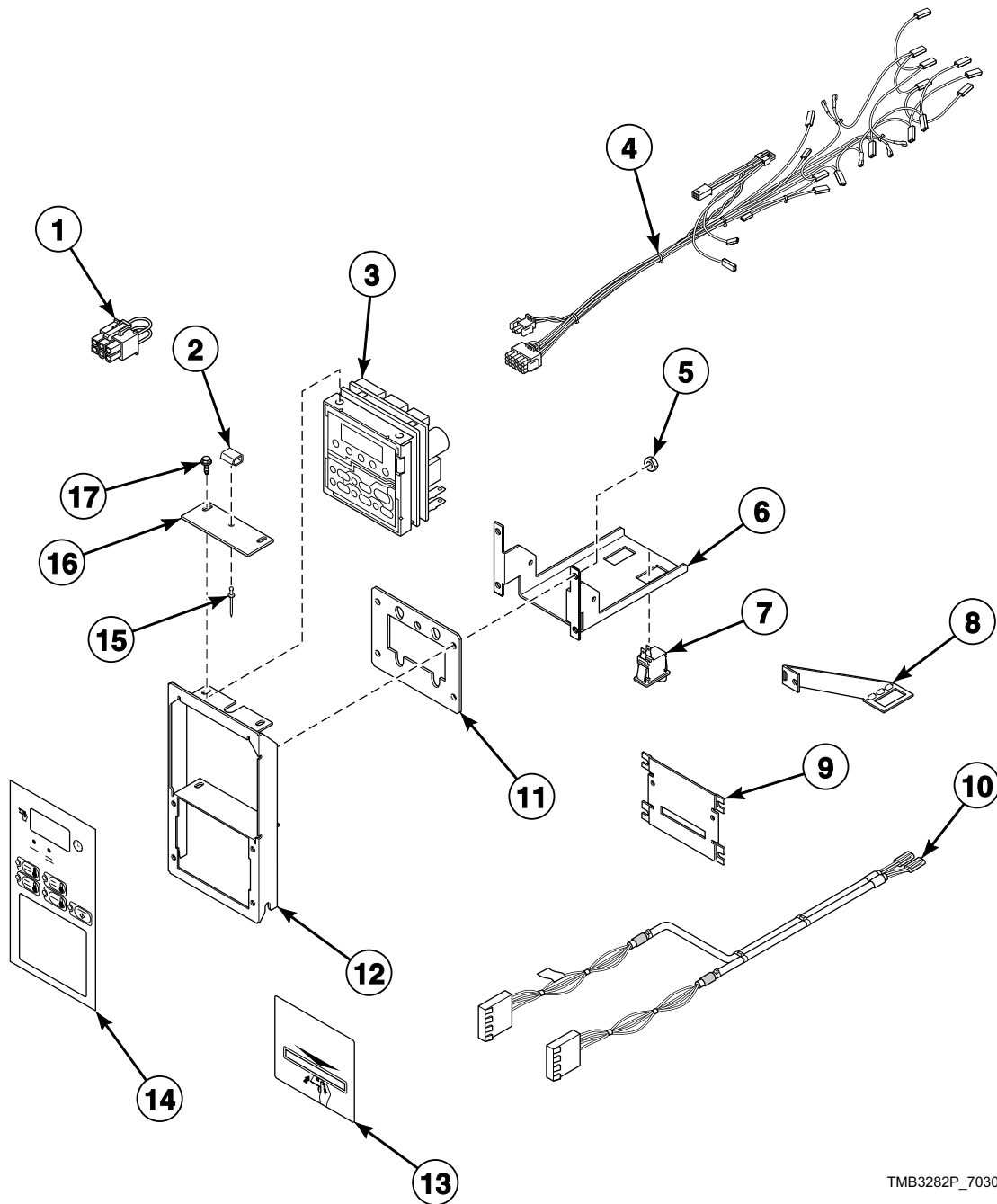
TMB3255P_70304801

Coin Drop Components for MDC Models

REF	PART NO.	DESCRIPTION	COMMENTS
	70346001P	Main Harness	Electric models need 55881 Harness Strap; Models through 1/15/12
	70441401	Main Harness	Electric models need 55881 Harness Strap; Models starting 1/16/12
	70559502	Control Door Latch Kit	
1	70315501P	Control Panel Harness	Control panel to main harness
2	D514273P	Control Assembly	I models; Models starting 7/15/14
	D511867P	Control Assembly	I models through 7/14/14; All other models
	D510036P	Membrane Switch	Order to replace touchpad for 511867P Control Assembly
3	29786	Nut	3 required
4	70183901	Audit Switch Bracket	
5	70413301	Pushbutton Switch	Coin vault switch
6	70498201P	Control Plate Kit	H models
	70705401	Control Plate Kit	All other models
7	70257801	Overlay	S models; L models through 1/28/15; Single drop; Text
	70257802	Overlay	S models; Dual drop; Text
	70261101	Overlay	N and S models; L models through 1/28/15; Single drop; Icon
	70261102	Overlay	N and S models; Dual drop; Icon
	70258101	Overlay	H models; Single drop
	70258102	Overlay	H models; Dual drop
	70261301	Overlay	H models; Single drop; Icon
	70452601	Overlay	G and K models; Upper; Single drop; Text
	70452602	Overlay	G and K models; Upper; Dual drop; Text
	70452701	Overlay	G and K models; Lower; Single drop; Text
	70452702	Overlay	G and K models; Lower; Dual drop; Text
	70492001	Overlay	I models; Models through 7/14/14; Single drop
	70505301	Overlay	I models; Models starting 7/15/14; Single drop
	70492002	Overlay	I models; Models through 7/14/14; Dual drop
	70505302	Overlay	I models; Models starting 7/15/14; Dual drop
	70283301	Overlay	P models through 9/30/14; Upper
	70283401	Overlay	P models through 9/30/14; Lower
	70508901	Overlay	PT models in non-North America starting 10/1/14; L models starting 1/29/15
	70537501	Overlay	PT models in North America starting 10/1/14
8	70321001	Overlay	P models; Models through 9/30/14; Upper; World drop
	70129501	Overlay	P models; Models through 9/30/14; Upper; Single drop
	70129601	Overlay	P models; Models through 9/30/14; Upper; Dual drop
	70129701	Overlay	P models; Models through 9/30/14; Lower; Single drop
	70129801	Overlay	P models; Models through 9/30/14; Lower; Dual drop
	70509901	Overlay	P models starting 10/1/14; L models starting 1/29/15; Upper; Single drop
	70510001	Overlay	P models starting 10/1/14; L models starting 1/29/15; Upper; Dual drop
	70510101	Overlay	P models starting 10/1/14; L models starting 1/29/15; Upper; World drop
	70510201	Overlay	P models starting 10/1/14; L models starting 1/29/15; Lower; Single drop
	70510301	Overlay	P models starting 10/1/14; L models starting 1/29/15; Lower; Dual drop
	70510401	Overlay	P models starting 10/1/14; L models starting 1/29/15; Lower; World drop
	70511301	Overlay	P models starting 10/1/14; Upper/Lower; Central pay
9	70364104P	Coin Vault Switch Harness	Non-CE models
10	D501524	Screw	4 required for mounting control
11	70324603	Jumper Calibration Wire	

Card Reader Components for MDC Models

G, H, I, K, L, MTT30D, MTT30N, N, P and S Models with BG, BL and BY Control Suffixes



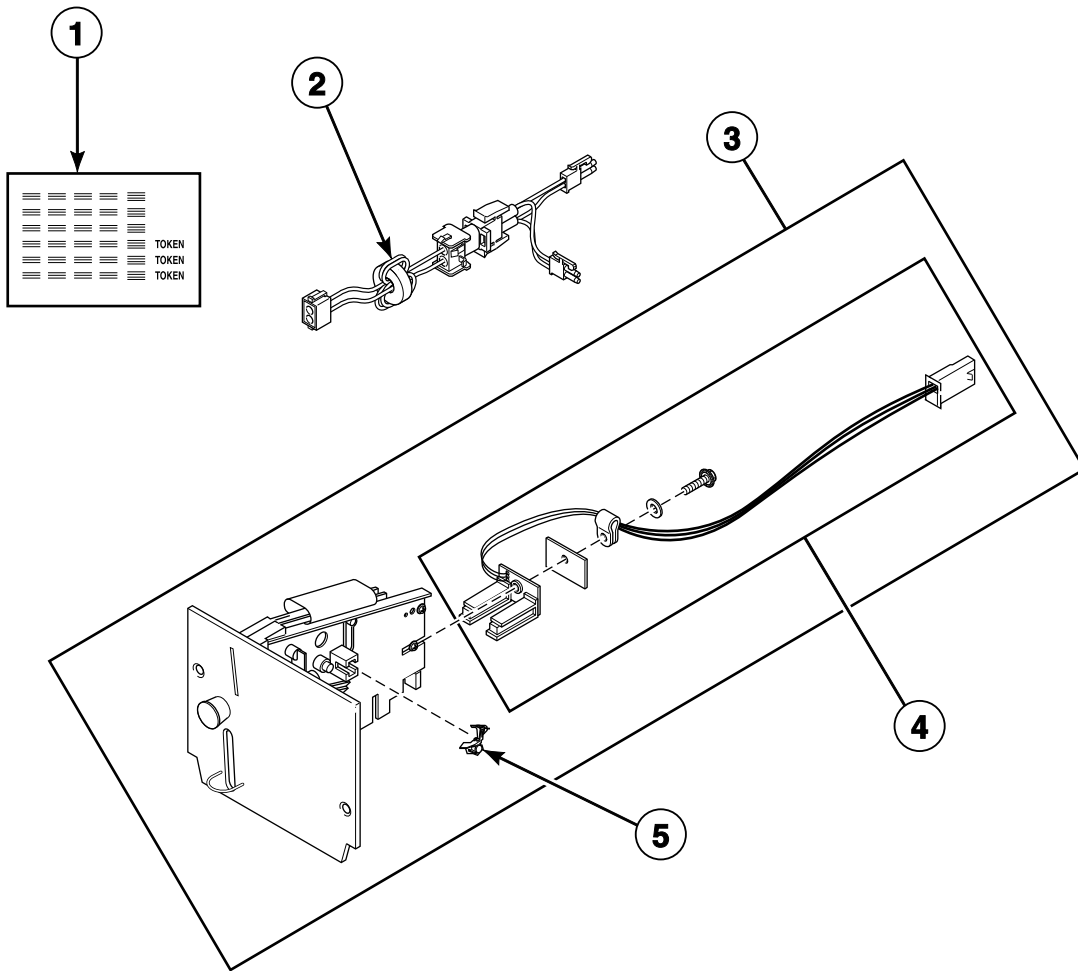
TMB3282P_70304801

Card Reader Components for MDC Models

REF	PART NO.	DESCRIPTION	COMMENTS
	70346001P	Main Harness	Electric models need 55881 Harness Strap; Models through 1/15/12
	70441401	Main Harness	Electric models need 55881 Harness Strap; Models starting 1/16/12
1	70364103	Bypass Harness	Non-CE models
2	431318	Control Door Latch	
3	D514273P	Control Assembly	I models; Models starting 7/15/14
	D511867P	Control Assembly	I models through 7/14/14; All other models
	D510036P	Membrane Switch	Order to replace touchpad for 511867P Control Assembly
4	70368001P	Control Panel Harness	Non-CE and non-Australian models
	70315501P	Control Panel Harness	CE and Australian models
5	70054	Nut	
6	70119001	Chassis Mounting Bracket	Use with item 1
7	70413301	Pushbutton Switch	Coin vault switch
8	70183901	Audit Switch Bracket	Use with item 7
9	44089501	Slot Card Plate Assembly	
10	70484501	Central Pay Harness	BL control suffix
11	70208801	Mounting Plate	
12	70497401	Control Door and Studs Assembly	G, I, K, L, M, N, P and S models
	70498401	Control Door and Studs Assembly	NTT30N_SERIAL_THROUGH_0904 and H models
13	70334201	Card Reader Overlay	N and S models; Black; Included in literature packet
	70334301	Card Reader Overlay	H models; Gray; Included in literature packet
	70275401	Overlay	H models; Models with BL control suffix
	70286701	Overlay	P models; Models through 9/30/14; Models with BL control suffix; Upper
	70286801	Overlay	P models; Models through 9/30/14; Models with BL control suffix; Lower
	70511101	Overlay	P models starting 10/1/14; L models starting 1/29/15; Models with BY control suffix; Upper
	70511201	Overlay	P models starting 10/1/14; L models starting 1/29/15; Models with BY control suffix; Lower
	70511401	Overlay	P models starting 10/1/14; L models starting 1/29/15; Convert card models to central pay; Upper/Lower
	70246301	Coin Cover Overlay	I models; Models with BL control suffix
14	70335801	Overlay	N and S models; P models through 9/30/14; L models through 1/28/15; Text and icon
	70509801	Overlay	P models starting 10/1/14; L models starting 1/29/15
	70537901	Overlay	North America P models
	70336001	Overlay	H models; Text and icon
	70492001	Overlay	I models; Models through 7/14/14
	70506801	Overlay	I models; Models starting 7/15/14
	70351501	Overlay	M models
	70304201	Overlay	N models; Text and icon
	70452801	Overlay	G and K models; Upper; BY control suffix
	70452901	Overlay	G and K models; Lower; BY control suffix
	70411801	Overlay	G and K models; Text; BG and BL control suffixes
15	M400003	Pop Rivet	
16	70184501	Latch Mounting Bracket	
17	D501524	Screw	4 required

Coin Drops

All Models Except U Models



TMB2921P_70304801

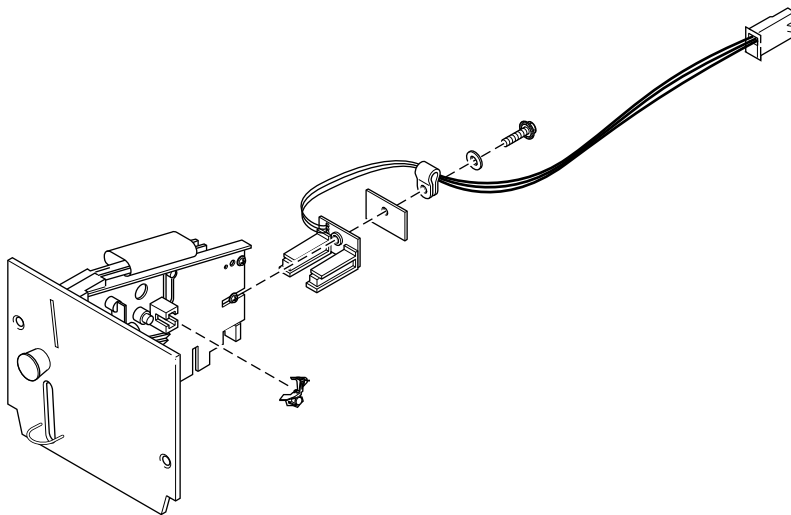
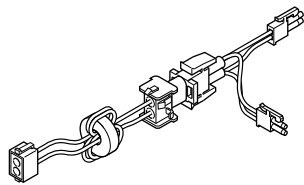
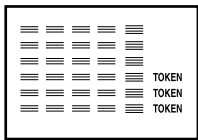
Coin Drops

REF	PART NO.	DESCRIPTION	COMMENTS
1	38725	Coin Identification Paper	
2	44065801	Electronic Coin Drop Harness	Models through 4/14/09
3	70294103P	Electronic Coin Drop Assembly	United Kingdom (default) and Europe
	70294104	Electronic Coin Drop Assembly	Europe (default), Denmark and Norway
	CK099	Electronic Coin Drop Kit	Australia (default), New Zealand, Hong Kong, South Korea and Malaysia
	70513306	Electronic Coin Drop Assembly	Mexico (default), Ecuador and United States
	70294107	Electronic Coin Drop Assembly	Lithuania (default), Latvia and Europe
	70513311	Electronic Coin Drop Assembly	Malaysia (default) and China
	70294117	Electronic Coin Drop Assembly	Russia; 5.00 and 10.00
	70294119	Electronic Coin Drop Assembly	Thailand; 1, 5 and 10 Baht
	70294120	Electronic Coin Drop Assembly	Chile; Chilean peso
	70294121	Electronic Coin Drop Assembly	Singapore
	70294111	Electronic Coin Drop Assembly	Euro; .10 - 2.00
	70441601P	Coin Drop	USA; \$.25
	70256402P	Coin Drop	USA; Dual; \$.25 and \$1.00
	70429001	Coin Drop	B models; USA
	38475	Coin Drop Assembly	Japan; 100 yen
	38519	Coin Drop Assembly	Japan; 100 and 500 yen
	38467	Coin Drop Assembly	Australia; .20 and 1.00
	70447301	Coin Drop Assembly	Australia; 1.00 and 2.00
	70482401	Coin Drop Assembly	New Zealand; 1.00 and 2.00
	CK097	Coin Drop Kit	HU, PU and SU models; Token; Jeton; Grooves on the face of the token
	210195	Coin Drop Assembly	Euro; .20 and 1.00
	210196	Coin Drop Assembly	Euro; .50 and 1.00
	38462P	Coin Drop Assembly	Token; STD-118-1; .880 diameter x .079 thick; Brass
	38463	Coin Drop Assembly	Token; STD-118-5; .990 diameter x .081 thick; Silver
	70471601	Coin Drop Assembly	Token; 7K
	38464P	Coin Drop Assembly	Canada; .25
	70441602	Coin Drop Assembly	Canada; .25 and 1.00
38472	Coin Drop Assembly	England; 20 pence and 1 pound	
N/A	Coin Drop Assembly	Denmark; 1 and 5 DKK; May replace with 70294104 Electronic Coin Drop Assembly	
38521	Coin Drop Assembly	Korea; 100 and 500 won	
38963P	Coin Drop	Token STD-118-16 not available; Replacement for 38963P Coin Drop only	
N/A	Coin Drop Assembly	Taiwan; Dual; 5 and 10 NT; May replace with CK113 Electronic Coin Drop Kit	
39157	Coin Drop Assembly	Israel; Shekel	
CK077	Coin Drop Kit	Taiwan; 10 NT	
CK114	Coin Drop Assembly	Singapore; Old 1.00	
CK123	Coin Drop Kit	Singapore; New 1.00	
4	200674P	Opto Coupler	
5	201595P	Wire Guard	

N/A = Part no longer available

Coin Drop Kits

All Models Except U Models



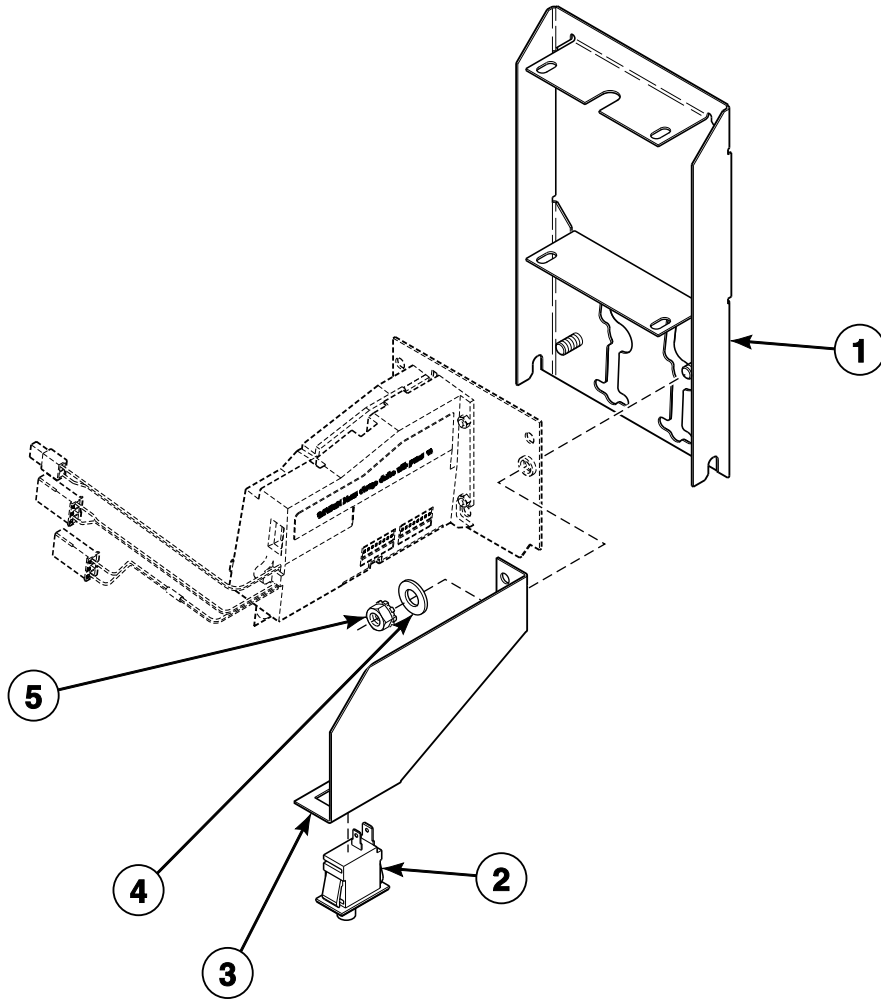
TMB2921PA_70304801

Coin Drop Kits

REF	PART NO.	DESCRIPTION	COMMENTS
	CK115	Electronic Coin Drop Kit	United States and Canada
	CK113	Electronic Coin Drop Kit	Japan and Taiwan
	CK099	Electronic Coin Drop Kit	Australia (default), New Zealand, Hong Kong, South Korea and Malaysia
	CK100	Electronic Coin Drop Kit	United Kingdom (default) and Europe
	CK101	Electronic Coin Drop Kit	Europe (default), Denmark and Norway
	CK103	Electronic Coin Drop Kit	Lithuania (default), Latvia and Europe
	CK125	Electronic Coin Drop Kit	South Africa
	CK109	Electronic Coin Drop Kit	Euro
	CK116	Electronic Coin Drop Kit	Malaysia (default) and China
	CK117	Electronic Coin Drop Kit	Russia
	CK118	Electronic Coin Drop Kit	Philippine
	CK119	Electronic Coin Drop Kit	Thailand
	CK120	Electronic Coin Drop Kit	Chile
	CK121	Electronic Coin Drop Kit	Singapore
	CK122	Coin Drop Kit	New Zealand; 1.00 and 2.00

Electronic Coin Drop Components

B, C, G, H, I, K, L, N, P and S Models with 3V, BC, KC, LC, NC, WC and ZC Control Suffixes



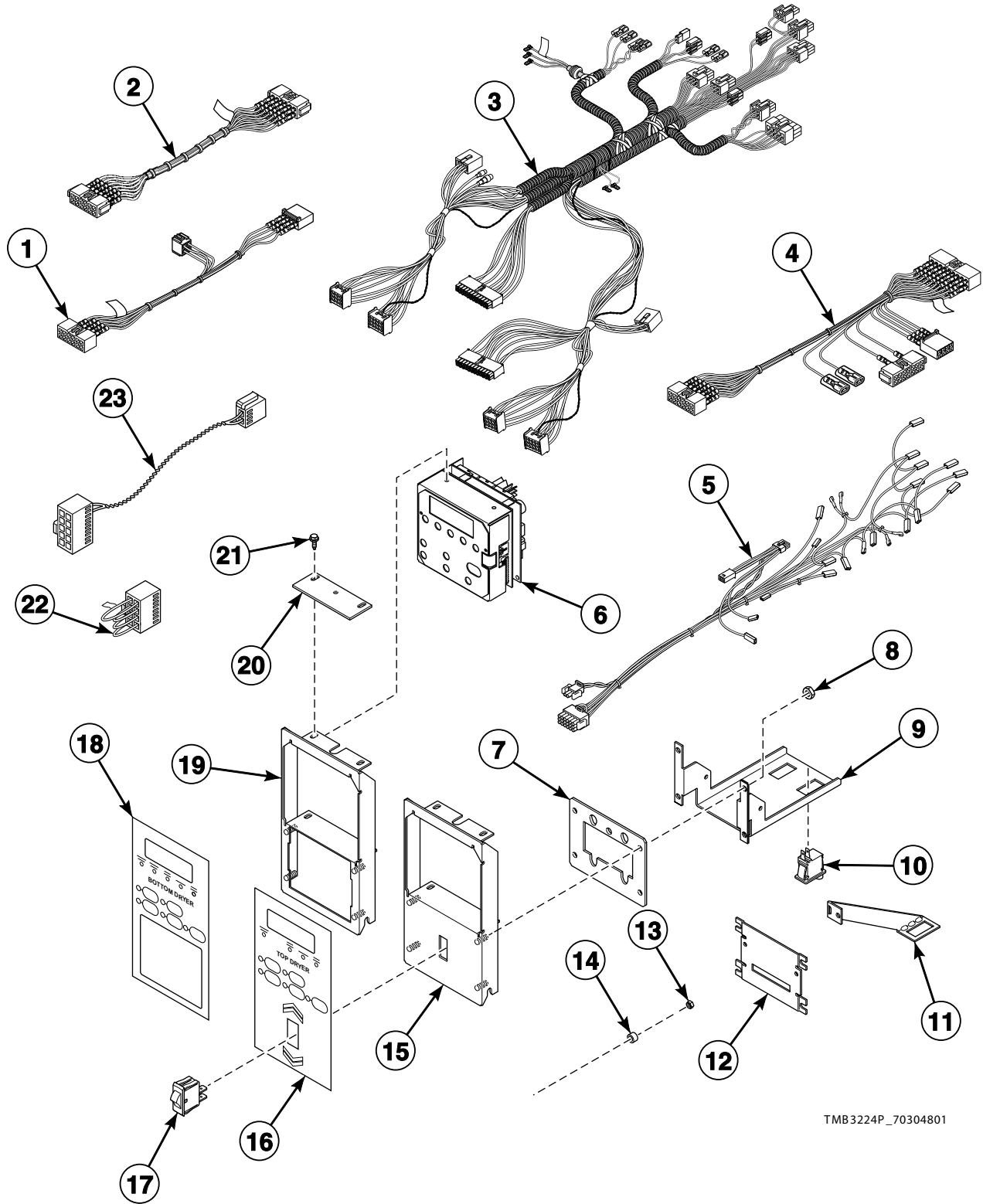
TMB1984K_70304801

Electronic Coin Drop Components

REF	PART NO.	DESCRIPTION	COMMENTS
1	70498201P	Control Plate Kit	H models
	70705401	Control Plate Kit	All other models
2	70413301	Pushbutton Switch	Coin vault switch
3	70292601	Audit Switch Bracket	
4	70292801	Washer	2 required
5	29786	Nut	2 required

Card Reader Components for Micro Models

K Models Through Serial No. 1101018349 with NJ Control Suffix



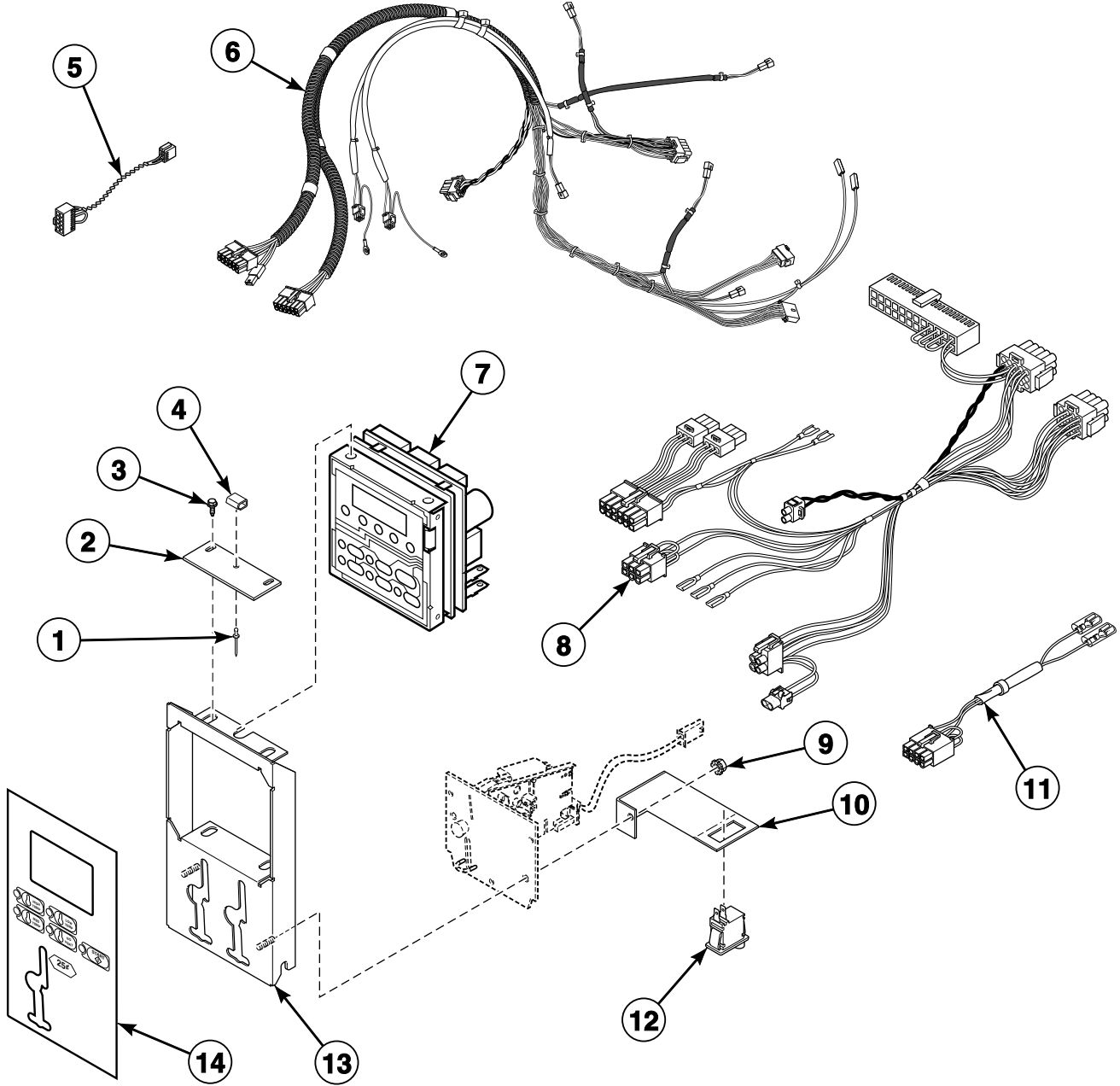
TMB 3224P_70304801

Card Reader Components for Micro Models

REF	PART NO.	DESCRIPTION	COMMENTS
	430497	Screw	
	70366201	Wire Clip	
	70307003	Control Housing Cover	
1	70420101P	Lower Card Reader Harness	
2	70419901P	Main Harness	Single card reader; Electric models need 55881 Harness Strap
3	70346001P	Main Harness	Electric models need 55881 Harness Strap
4	70420001P	Upper Card Reader Harness	
5	70368001P	Control Panel Harness	Non-CE and non-Australian models
	70315501P	Control Panel Harness	CE and Australian models
6	D505905P	Control Kit	
	D510036P	Membrane Switch	Order to replace touchpad for D510034 Control Assembly in D505905P Control Kit
7	70208801	Mounting Plate	
8	70054	Nut	
9	70119001	Chassis Mounting Bracket	
10	70413301	Pushbutton Switch	Coin vault switch
11	70183901	Audit Switch Bracket	Use with item 10
12	44089501	Slot Card Plate Assembly	
13	29787	Nut	
14	56079	Panel Locator	
15	70420201	Control Mounting Bracket Assembly	
16	70418001	Overlay	Upper
17	44099601	Rocker Switch	
18	70417901	Overlay	Bottom
19	70497401	Control Door and Studs Assembly	
20	70184501	Latch Mounting Bracket	
21	D501524	Screw	4 required
22	70364103	Bypass Harness	Non-CE models
23	70324603	Jumper Calibration Wire	

Coin Drop Components for NetMaster Models

KT Models Through Serial No. 1101018349 and ST Models Through Serial No. 0904004427
NC, NX, ZC and ZX Control Suffixes



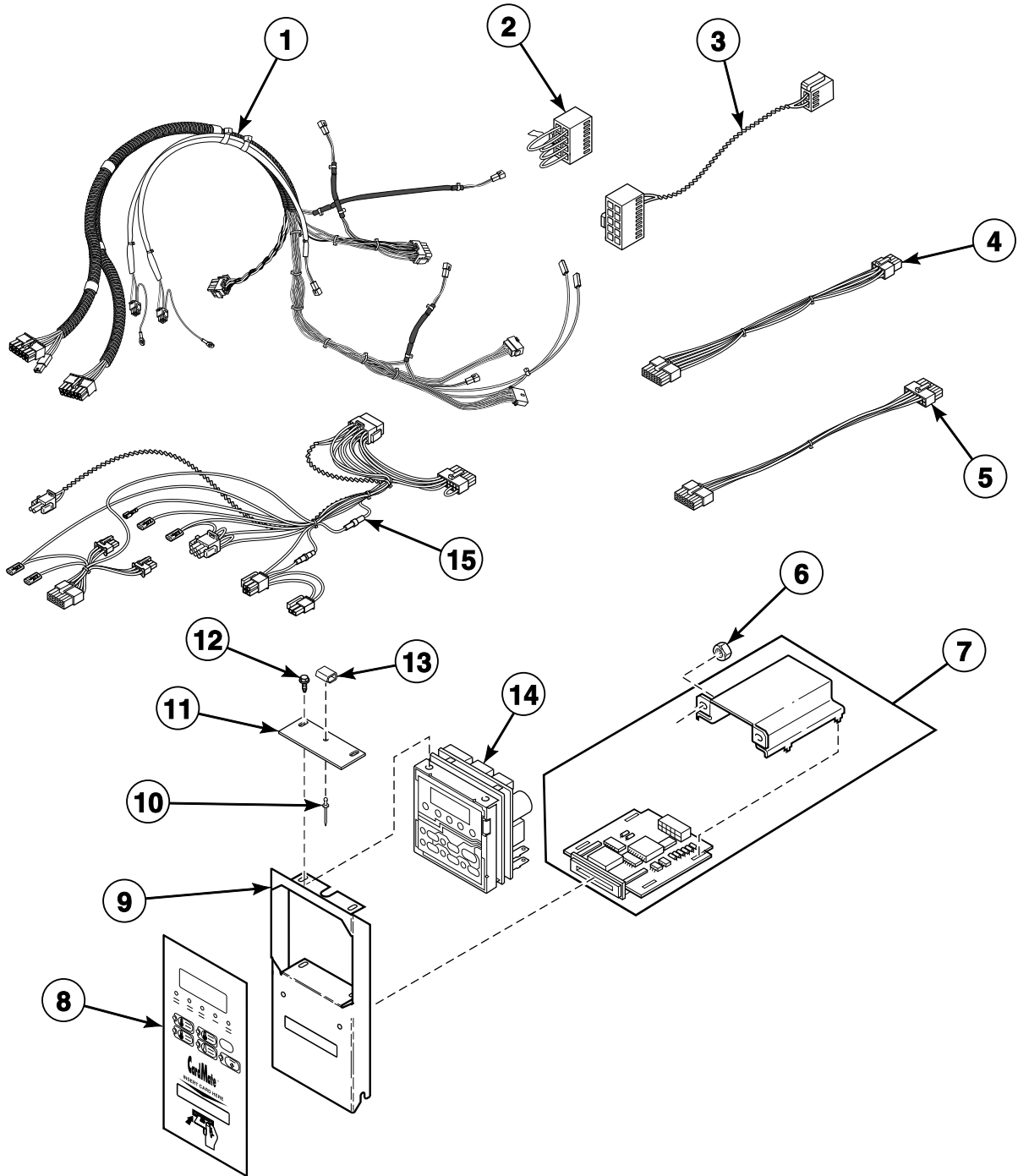
TMB2782P_70304801

Coin Drop Components for NetMaster Models

REF	PART NO.	DESCRIPTION	COMMENTS
	44147801	Overlay	K models
	70559502	Control Door Latch Kit	
1	M400003	Pop Rivet	
2	70184501	Latch Mounting Bracket	
3	D501524	Screw	4 required
4	431318	Control Door Latch	
5	70211703P	Jumper Calibration Assembly	
6	70346002P	Main Harness	Electric models need 55881 Harness Strap
7	D505905P	Control Kit	Includes tape
	D510036P	Membrane Switch	Order to replace touchpad for D510034 Control Assembly in D505905P Control Kit
8	70368001P	Control Panel Harness	
9	29786	Nut	
10	70292601	Audit Switch Bracket	
11	70364104P	Coin Vault Switch Harness	NC and ZC control suffixes; Non-CE models
12	70413301	Pushbutton Switch	Coin vault switch
13	70705401	Control Plate Kit	
	70498001	Control Door and Studs Assembly	K models
14	70184101	Overlay	Single drop
	70184102	Overlay	Dual drop
	70413601	Overlay	K models; NC and NX control suffixes; Single drop; Bottom
	70413602	Overlay	K models; NC and NX control suffixes; Dual drop; Bottom
	70413901	Overlay	K models; NC and NX control suffixes; Single drop; Upper
	70413902	Overlay	K models; NC and NX control suffixes; Dual drop; Upper

Card Reader Components for NetMaster Models

KT Models Through Serial No. 1101018349 and SA and ST Models Through Serial No. 0904004427
NR, NY, ZR and ZY Control Suffixes



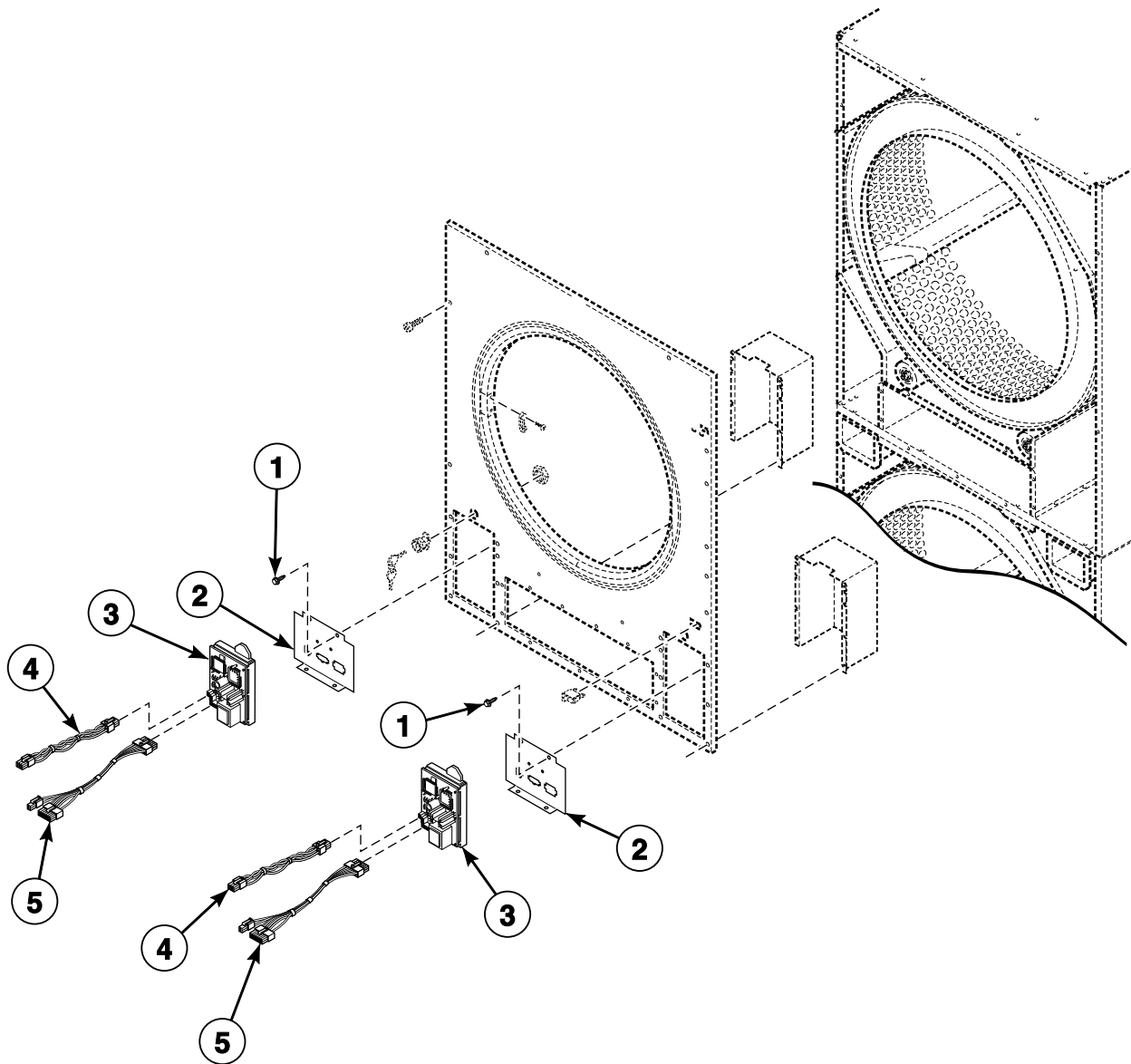
TMB2783P_70304801

Card Reader Components for NetMaster Models

REF	PART NO.	DESCRIPTION	COMMENTS
1	70346002P	Main Harness	ZR and ZY control suffixes; Electric models need 55881 Harness Strap
2	70364103	Bypass Harness	Non-CE models
3	70211703P	Jumper Calibration Assembly	
4	70206601	Card Reader Network Harness Assembly	Card reader or network
5	70211801	Card Reader Harness Assembly	
6	70054	Nut	2 required
7	D510068P	Card Reader and Bracket Assembly	
8	70184201	Overlay	Card reader installed
	70235101	Overlay	Card reader ready
	70416301	Overlay	K models; NY control suffix; Upper
	70416401	Overlay	K models; NY control suffix; Bottom
9	70175911	Control Door Assembly	NR control suffix
10	M400003	Pop Rivet	
11	70184501	Latch Mounting Bracket	
12	D501524	Screw	4 required
13	431318	Control Door Latch	
14	D505905P	Control Kit	Includes tape
	D510036P	Membrane Switch	Order to replace touchpad for D510034 Control Assembly in D505905P Control Kit
15	70368001P	Control Panel Harness	KT and ST models
	70315501P	Control Panel Harness	SA models

Network Board for NetMaster Models

SA and ST Models Through Serial No. 0904004427 with ZC, ZR, ZX and ZY Control Suffixes



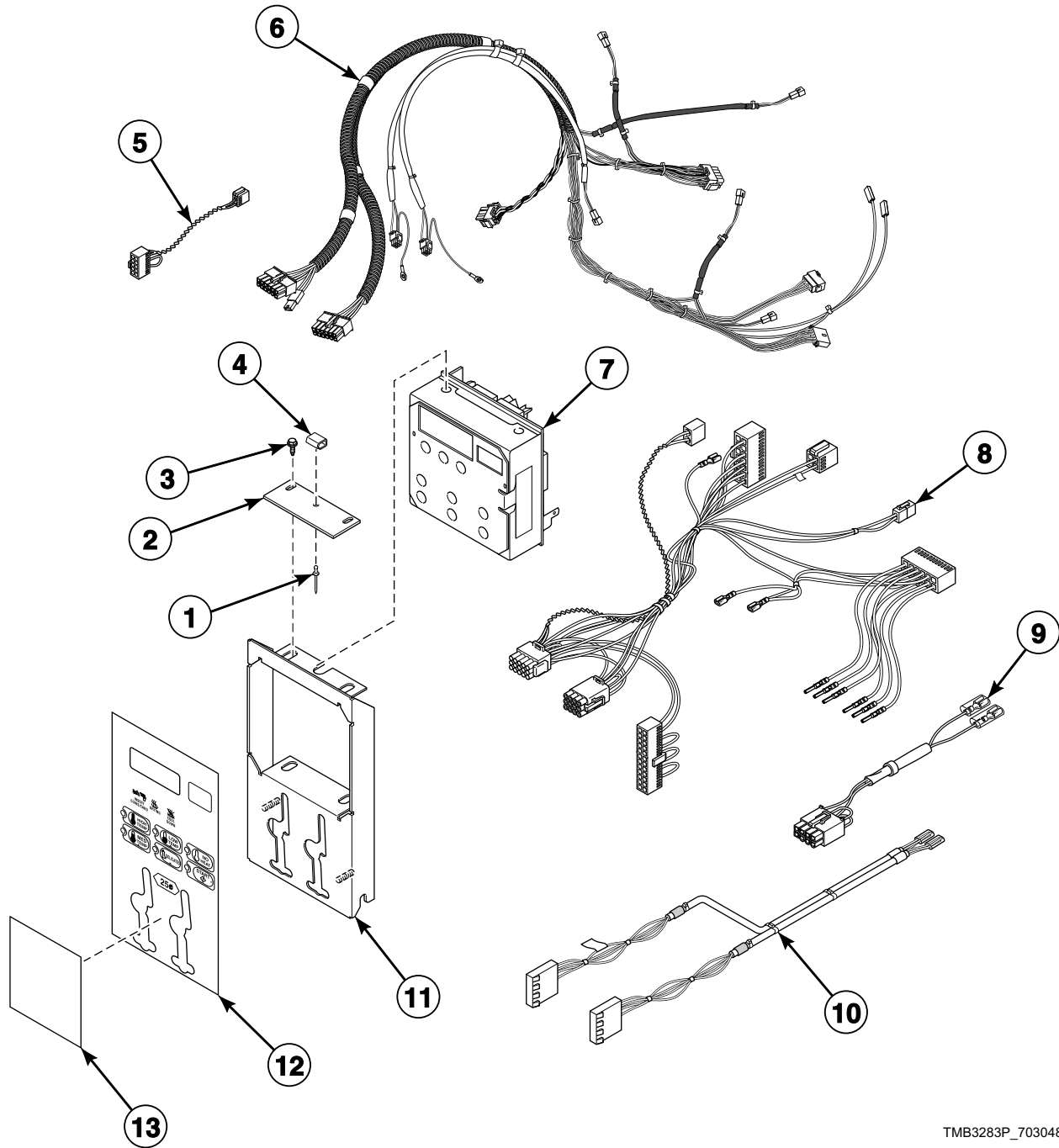
TMB2308P_70304801

Network Board for NetMaster Models

REF	PART NO.	DESCRIPTION	COMMENTS
	210157P	Network Board	For desktop PC
	210165	Network Cable	For laptop PC
	210095P	Communication Board	
1	52909	Screw	
2	70307002	Control Housing Cover	
3	210016P	Network Board Assembly	
4	70211101	Communication Harness Assembly	Network board to main harness at control bulkhead
5	800217	Network Wire Harness Assembly	

Coin Drop Components for Quantum Models

M and S Models with LC, LL, LX, WC, WL and WX Control Suffixes



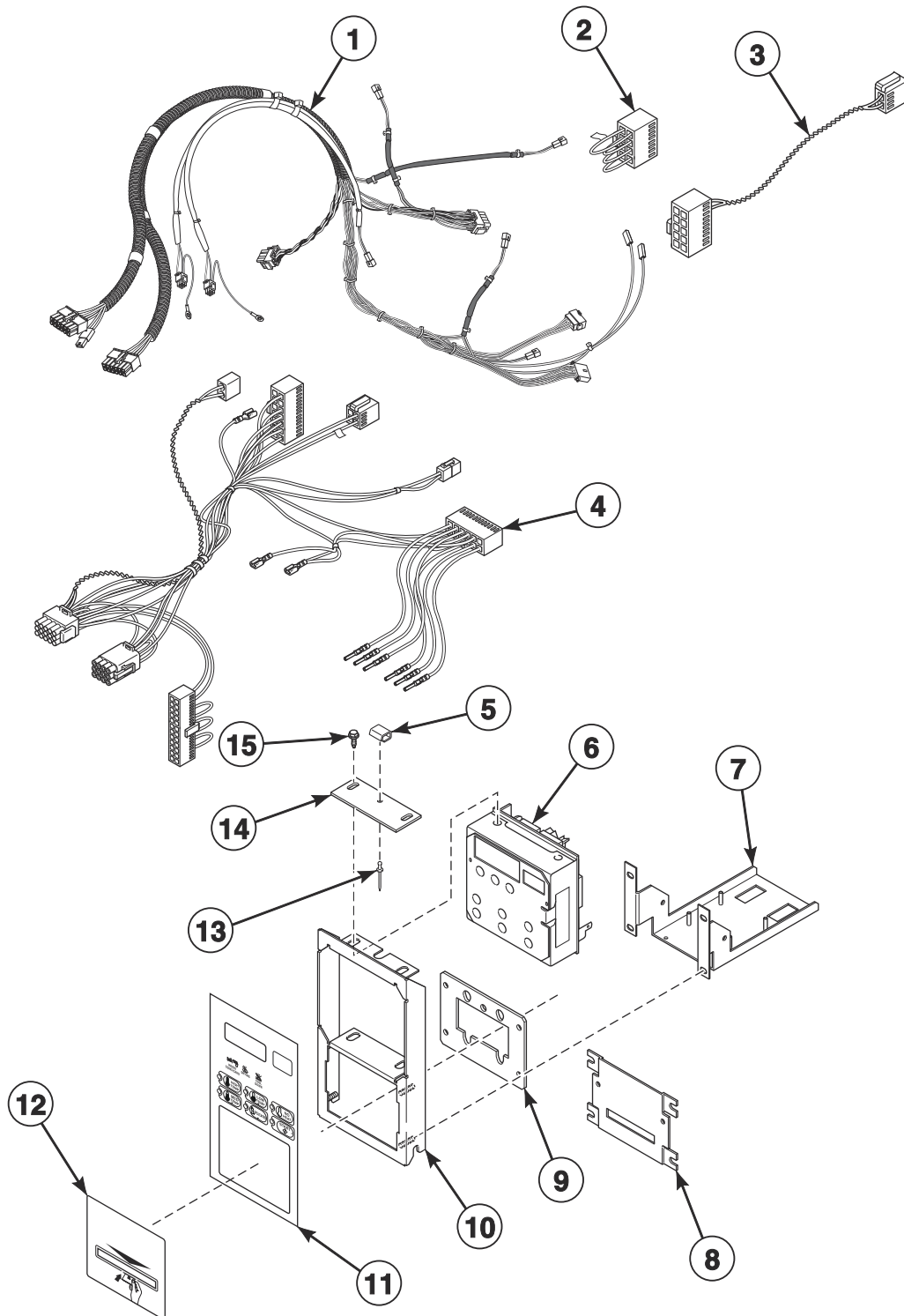
TMB3283P_70304801

Coin Drop Components for Quantum Models

REF	PART NO.	DESCRIPTION	COMMENTS
	NK207	Network Retrofit Kit	LC and LX control suffixes; Wired
	NK220	Network Controller Kit	LC and LX control suffixes; Wired
	NK301	Wireless Network Kit	LC and LX control suffixes
	NK320	Ethernet Gateway Kit	LC and LX control suffixes; Wireless
	NK330	USB Gateway Kit	LC and LX control suffixes; Wireless
	203346	USB IR Interface Kit	
	70559502	Control Door Latch Kit	
1	M400003	Pop Rivet	
2	70184501	Latch Mounting Bracket	
3	D501524	Screw	4 required
4	431318	Control Door Latch	
5	70324603	Jumper Calibration Wire	
6	70346001P	Main Harness	LC and LX control suffixes; Electric models need 55881 Harness Strap; Models through 1/15/12
	70346002P	Main Harness	WC and WX control suffixes; Electric models need 55881 Harness Strap; Models through 1/15/12
	70441401	Main Harness	Electric models need 55881 Harness Strap; Models starting 1/16/12
7	70450501P	Control Assembly	Includes tape
8	70410401P	Control Panel Harness	
9	70364104P	Coin Vault Switch Harness	Non-CE models
10	70484501	Central Pay Harness	LL and WL control suffixes
11	70705401	Control Plate Kit	
12	70449401	Control Overlay	STT30D and M models
	70443401	Control Overlay	Model STT30D; Upper
	70443501	Control Overlay	Model STT30D; Lower
	70410101	Control Overlay	All other models; Single drop
	70410102	Control Overlay	All other models; Dual drop
13	39564	Nameplate	LL and WL control suffixes; Cover

Card Reader Components for Quantum Models

M and S Models with LY and WY Control Suffixes



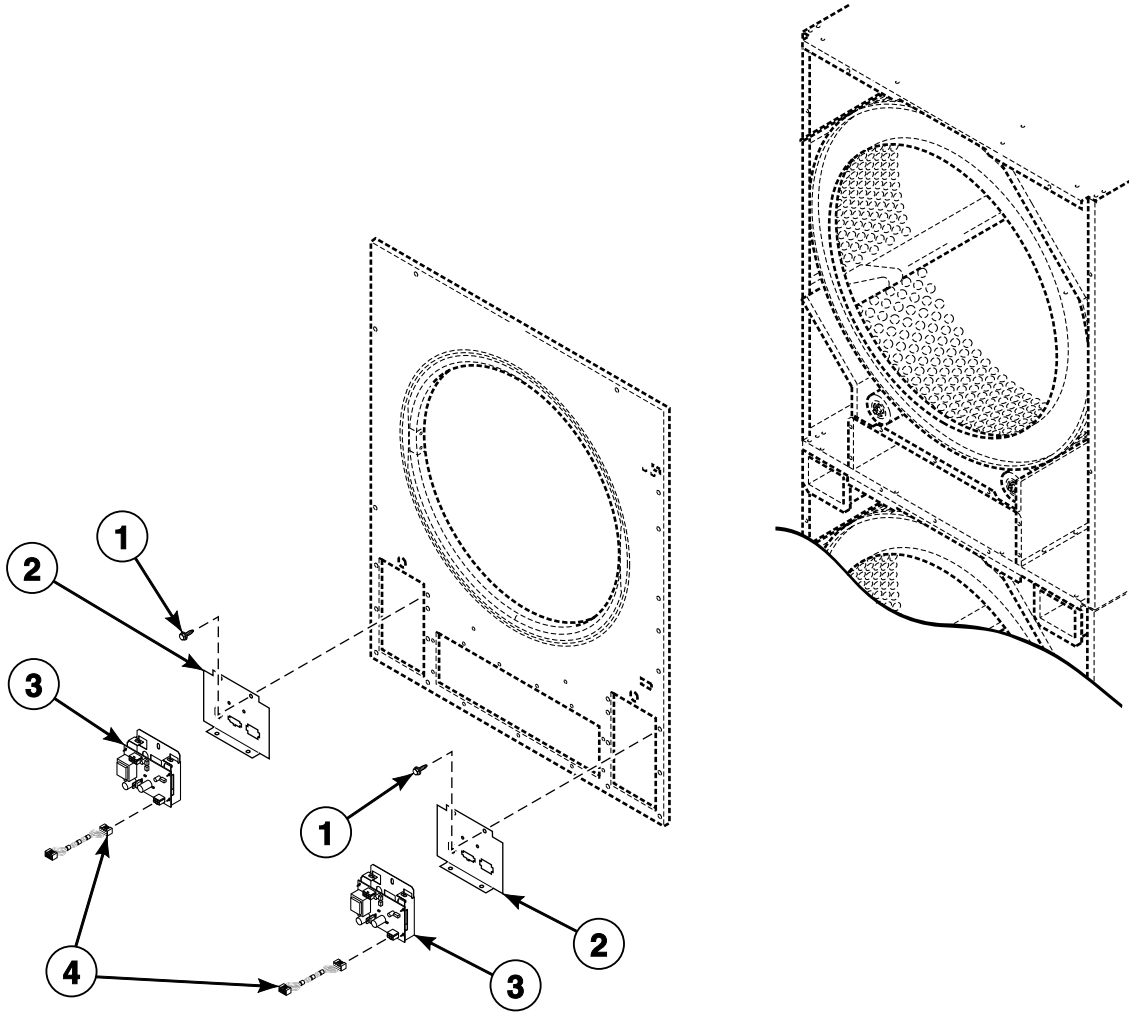
TMB3351P_70304801

Card Reader Components for Quantum Models

REF	PART NO.	DESCRIPTION	COMMENTS
	NK207	Network Retrofit Kit	LY control suffix; Wired
	NK220	Network Controller Kit	LY control suffix; Wired
	NK301	Wireless Network Kit	LY control suffix
	NK320	Ethernet Gateway Kit	LY control suffix; Wireless
	NK330	USB Gateway Kit	LY control suffix; Wireless
	203346	USB IR Interface Kit	
1	70346001P	Main Harness	LY control suffix; Electric models need 55881 Harness Strap; Models through 1/15/12
	70346002P	Main Harness	WY control suffix; Electric models need 55881 Harness Strap; Models through 1/15/12
	70441401	Main Harness	Electric models need 55881 Harness Strap; Models starting 1/16/12
2	70364103	Bypass Harness	Non-CE models
3	70324603	Jumper Calibration Wire	
4	70410401P	Control Panel Harness	
5	431318	Control Door Latch	
6	70450501P	Control Assembly	Includes tape
7	70119001	Chassis Mounting Bracket	
8	44089501	Slot Card Plate Assembly	
9	70208801	Mounting Plate	
10	70497401	Control Door and Studs Assembly	
11	70417601	Control Overlay	English
	70523401	Control Overlay	Chinese; M models
12	70523601	Card Reader Overlay	M models
	70334201	Card Reader Overlay	All other models
13	M400003	Pop Rivet	
14	70184501	Latch Mounting Bracket	
15	D501524	Screw	4 required

Network Board

H, M and S Models with WC, WX, WY, ZC, ZX and ZY Control Suffixes



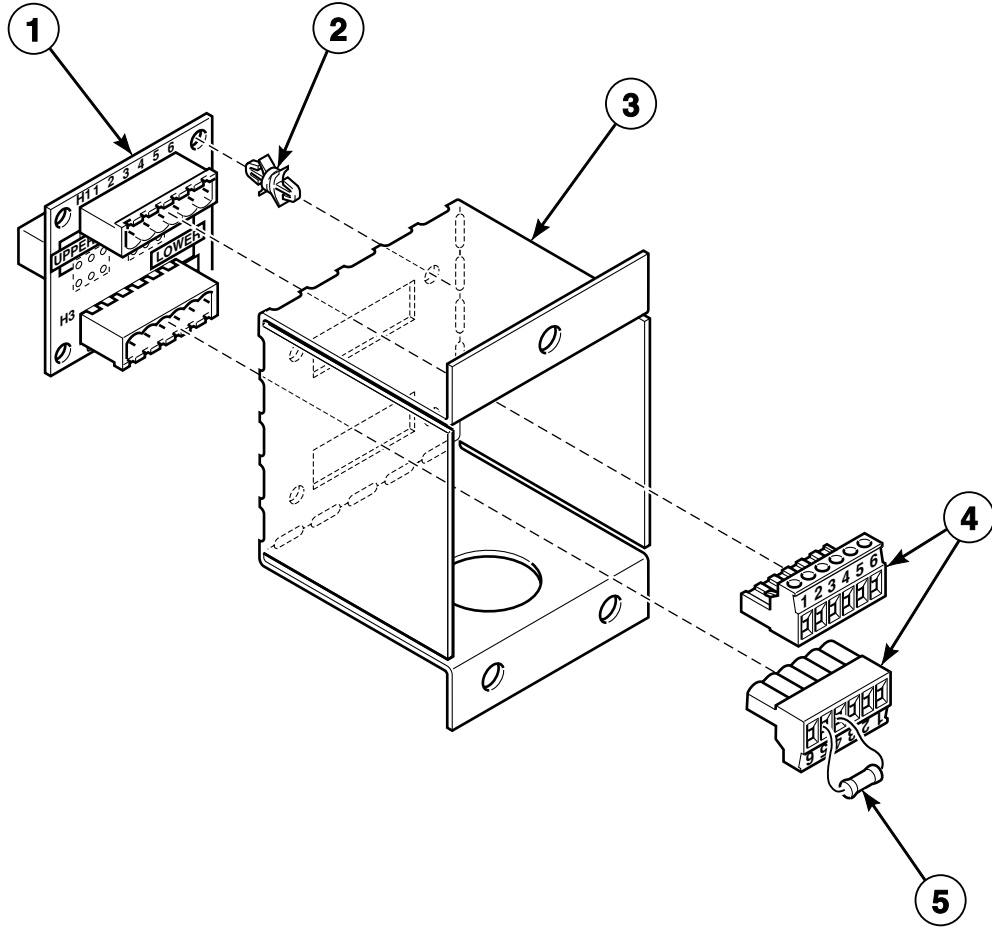
TMB2935P_70304801

Network Board

REF	PART NO.	DESCRIPTION	COMMENTS
1	52909	Screw	Wired; M and S models
	D503661	Screw	Wireless
2	70307002	Control Housing Cover	
3	201341	Network Board Assembly	Wired; M and S models
	202335	Wireless Transceiver Assembly	Wireless
4	44088501P	Network Wire Harness Assembly	

Communication Board

M and S Models with WC, ZC and ZR Control Suffixes



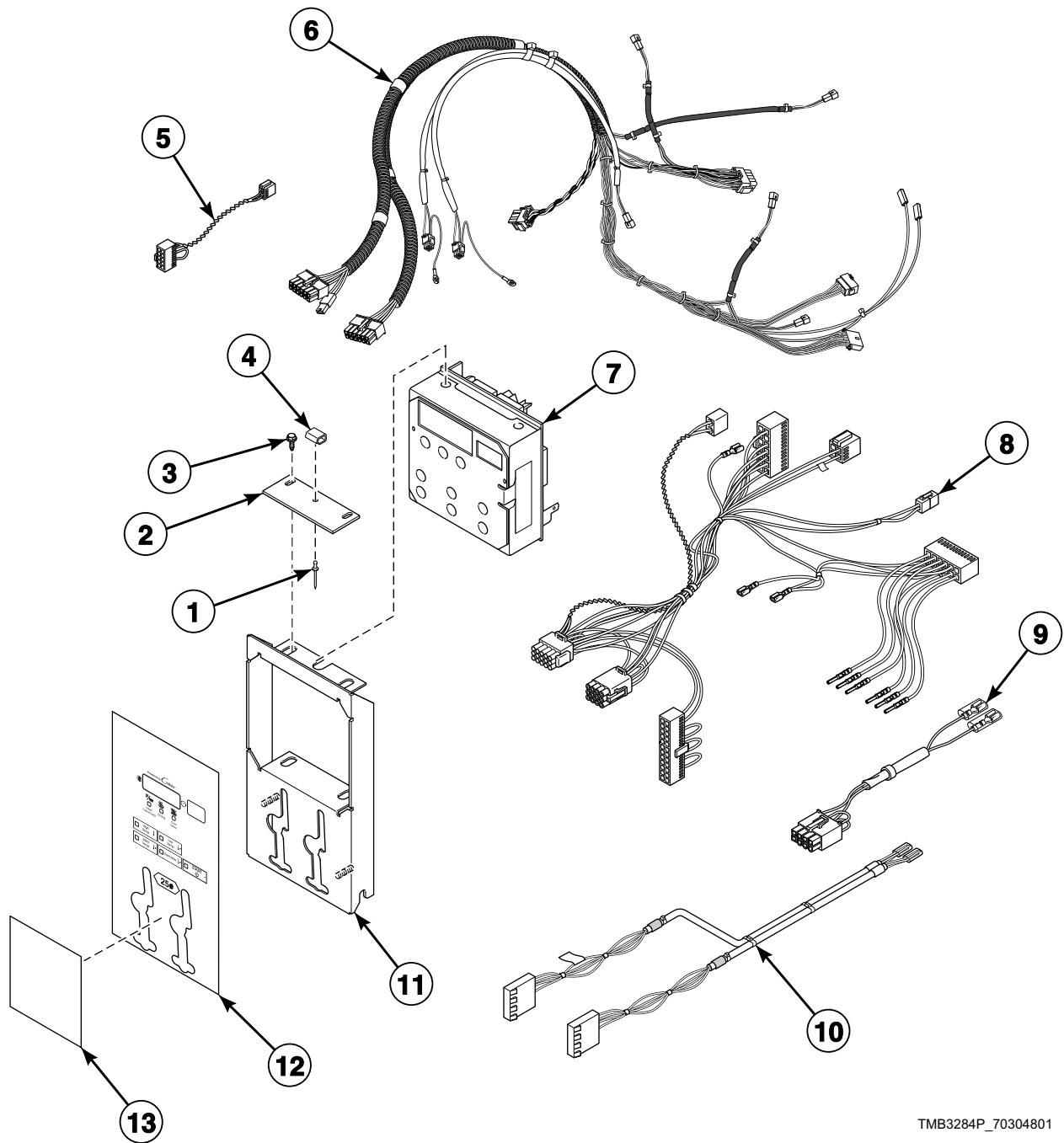
TMB2351P_70304801

Communication Board

REF	PART NO.	DESCRIPTION	COMMENTS
1	210097	Communication Board	
2	210098	PC Board Standoff	4 required
3	70323101	Communication Board Bracket	
4	210099	Communication Connector	
5	210162	Terminating Resistor	120 Ohms

Coin Drop Components for Galaxy 600 Models

H Models with KC, KL, KX, ZC, ZL and ZX Control Suffixes



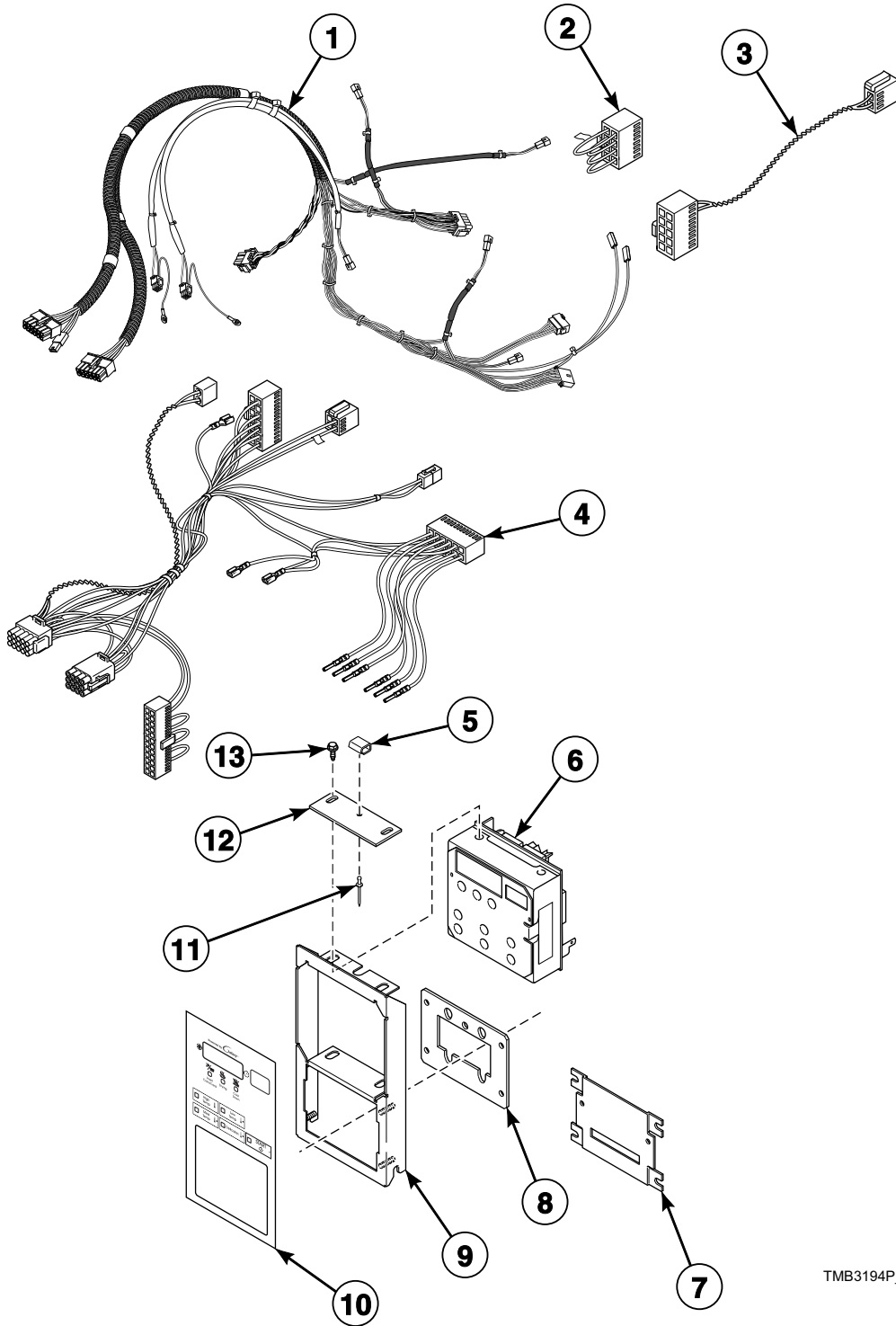
TMB3284P_70304801

Coin Drop Components for Galaxy 600 Models

REF	PART NO.	DESCRIPTION	COMMENTS
	NK301	Wireless Network Kit	ZC and ZX control suffixes; Wireless
	NK320	Ethernet Gateway Kit	ZC and ZX control suffixes; Wireless
	203346	USB IR Interface Kit	
	70559502	Control Door Latch Kit	
1	M400003	Pop Rivet	
2	70184501	Latch Mounting Bracket	
3	D501524	Screw	4 required
4	431318	Control Door Latch	
5	70324603	Jumper Calibration Wire	
6	70441401	Main Harness	Electric models need 55881 Harness Strap
7	70450502P	Control Assembly	Includes tape
8	70410401P	Control Panel Harness	
9	70364104P	Coin Vault Switch Harness	Non-CE models
10	70484501	Central Pay Harness	KL and ZL control suffixes
11	70498201P	Control Plate Kit	
12	70472101	Control Overlay	Single drop
	70472102	Control Overlay	Dual drop
13	70246301	Coin Cover Overlay	KL and ZL control suffixes; Cover

Card Reader Components for Galaxy 600 Models

H Models with KY and ZY Control Suffixes



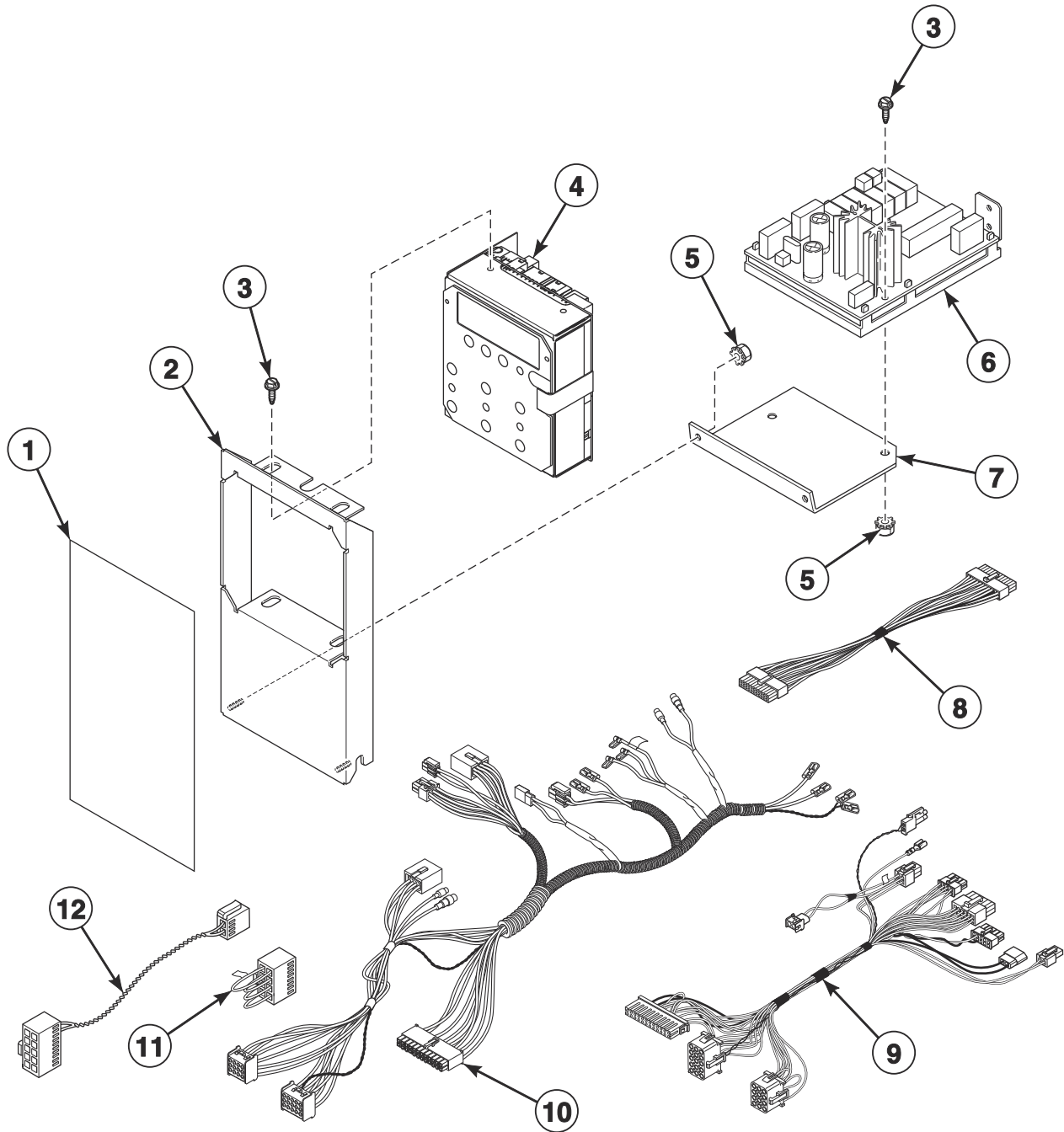
TMB3194P_70304801

Card Reader Components for Galaxy 600 Models

REF	PART NO.	DESCRIPTION	COMMENTS
	NK301	Wireless Network Kit	ZY control suffix; Wireless
	NK320	Ethernet Gateway Kit	ZY control suffix; Wireless
	203346	USB IR Interface Kit	
1	70441401	Main Harness	Electric models need 55881 Harness Strap
2	70364103	Bypass Harness	Non-CE models
3	70324603	Jumper Calibration Wire	
4	70410401P	Control Panel Harness	
5	431318	Control Door Latch	
6	70450502P	Control Assembly	Includes tape
7	44089501	Slot Card Plate Assembly	
8	70208801	Mounting Plate	
9	70498401	Control Door and Studs Assembly	
10	70472901	Control Overlay	
11	M400003	Pop Rivet	
12	70184501	Latch Mounting Bracket	
13	D501524	Screw	4 required

LED OPL Control

B, C, H, I, N, S and U Models
G, K, L and P Models Starting 1/16/12
Models with EO Control Suffix

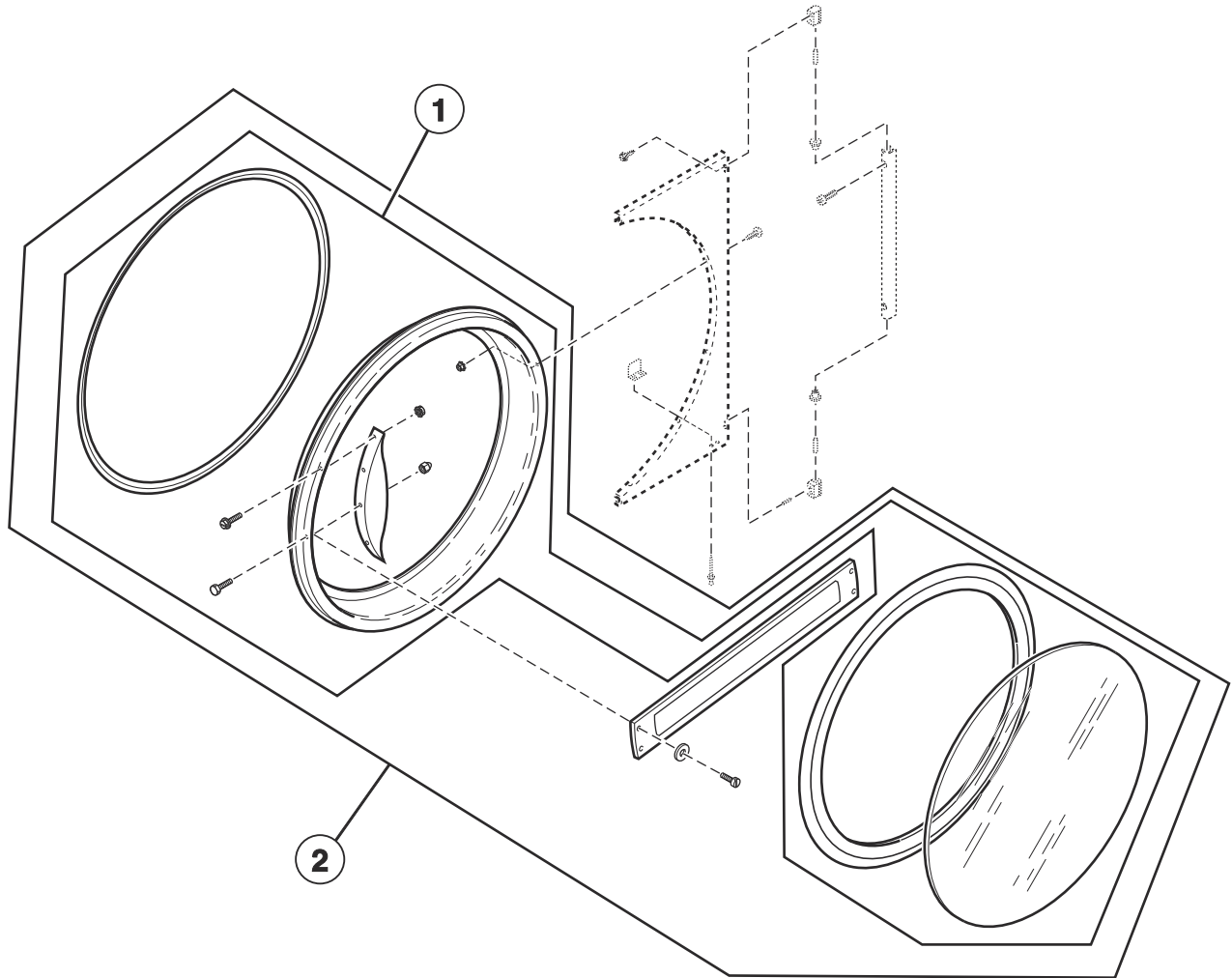


TMB3314P_70304801

LED OPL Control

REF	PART NO.	DESCRIPTION	COMMENTS
	203346	USB IR Interface Kit	
1	70467102	Overlay	S models
	70445102	Overlay	H models
	70466702	Overlay	B, C and I models; Models through 7/14/14
	70505001	Overlay	B, C and I models; Models starting 7/15/14
	70462801	Overlay	U models; Models through 8/17/14
	70493801	Overlay	U models; Models starting 8/18/14
	70463002	Overlay	G and K models
	70472502	Overlay	P models; Models through 9/30/14
	70509101	Overlay	L and P models; Models starting 10/1/14 through 5/31/15
	70472302	Overlay	N models; L models through 9/30/14
	70525901	Overlay	L and P models starting 6/1/15
2	70441001	Control Door and Studs Assembly	B, C, I, N, S and U models
	70441101	Control Door and Studs Assembly	H models
3	D501524	Screw	
4	70454101P	Control Assembly	H, S and U models; L and P models starting 6/1/15
	70437102P	Control Assembly	B, C and I models; Models through 7/14/14
	70503702P	Control Assembly	B, C and I models; Models starting 7/15/14
	70437103P	Control Assembly	P models through 5/31/15; L models starting 10/1/14 through 5/31/15
	70437104P	Control Assembly	G and K models
	70437105P	Control Assembly	N models; L models through 9/30/14
5	70054	Nut	
6	70434101P	Control Assembly	
7	44223101	Output Bracket	
8	44186101	Output Harness	Use between item 4 and item 6
9	44240301	Control Panel Harness	Goes from item 4 to main harness
10	70441401	Main Harness	
11	70364103	Bypass Harness	Non-CE models
12	70324603	Jumper Calibration Wire	

Door Assemblies

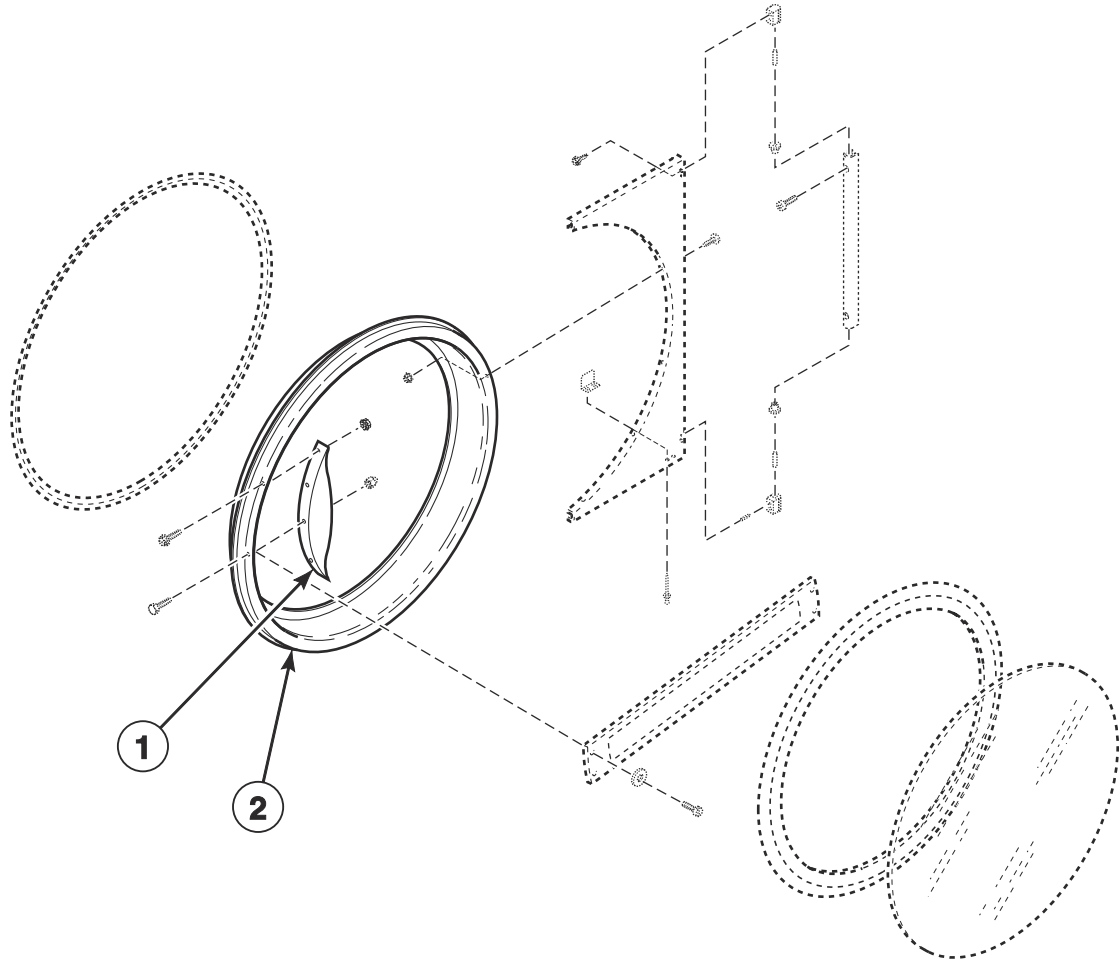


TMB3086P_70304801

Door Assemblies

REF	PART NO.	DESCRIPTION	COMMENTS
1	70212300	Door Assembly	M, N and S models; U models through 8/17/14; Includes items listed on <i>Door Ring and Handle</i> and <i>Door Components</i> pages
	70496501	Door Assembly	U models; Models starting 8/18/14; Includes items listed on <i>Door Ring and Handle</i> and <i>Door Components</i> pages
	44046701	Door Assembly	B, C, and I models; Models through 7/31/11; Includes items listed on <i>Door Ring and Handle</i> and <i>Door Components</i> pages
	70212301	Door Assembly	B, C and I models; Models starting 8/1/11; Includes items listed on <i>Door Ring and Handle</i> and <i>Door Components</i> pages
	44058001P	Door Assembly	H models; Includes items listed on <i>Door Ring and Handle</i> and <i>Door Components</i> pages
	44058004P	Door Assembly	H models; Chrome option; Includes items listed on <i>Door Ring and Handle</i> and <i>Door Components</i> pages
	70496502P	Door Assembly	U models; Chrome option; Includes items listed on <i>Door Ring and Handle</i> and <i>Door Components</i> pages
	70212302P	Door Assembly	S models; Chrome option; Includes items listed on <i>Door Ring and Handle</i> and <i>Door Components</i> pages
	44058002	Door Assembly	Model NTT30N_SERIAL_THROUGH_0904; Includes items listed on <i>Door Ring and Handle</i> and <i>Door Components</i> pages
	44287801LGP	Door Assembly	P models starting 10/1/14; L models starting 1/29/15; Includes items listed on <i>Door Ring and Handle</i> and <i>Door Components</i> pages
	44287801B	Door Assembly	P models starting 7/5/16; Use with stainless steel front panel; Includes items listed on <i>Door Ring and Handle</i> and <i>Door Components</i> pages
	70212200	Door Assembly	P models; Models through 9/30/14; Includes items listed on <i>Door Ring and Handle</i> and <i>Door Components</i> pages
	70064100	Door Assembly	L models through 1/28/15; Includes items listed on <i>Door Ring and Handle</i> and <i>Door Components</i> pages
2	70408901	Door Assembly	G and K models; Includes items listed on <i>Door Ring and Handle</i> and <i>Door Components</i> pages

Door Ring and Handle



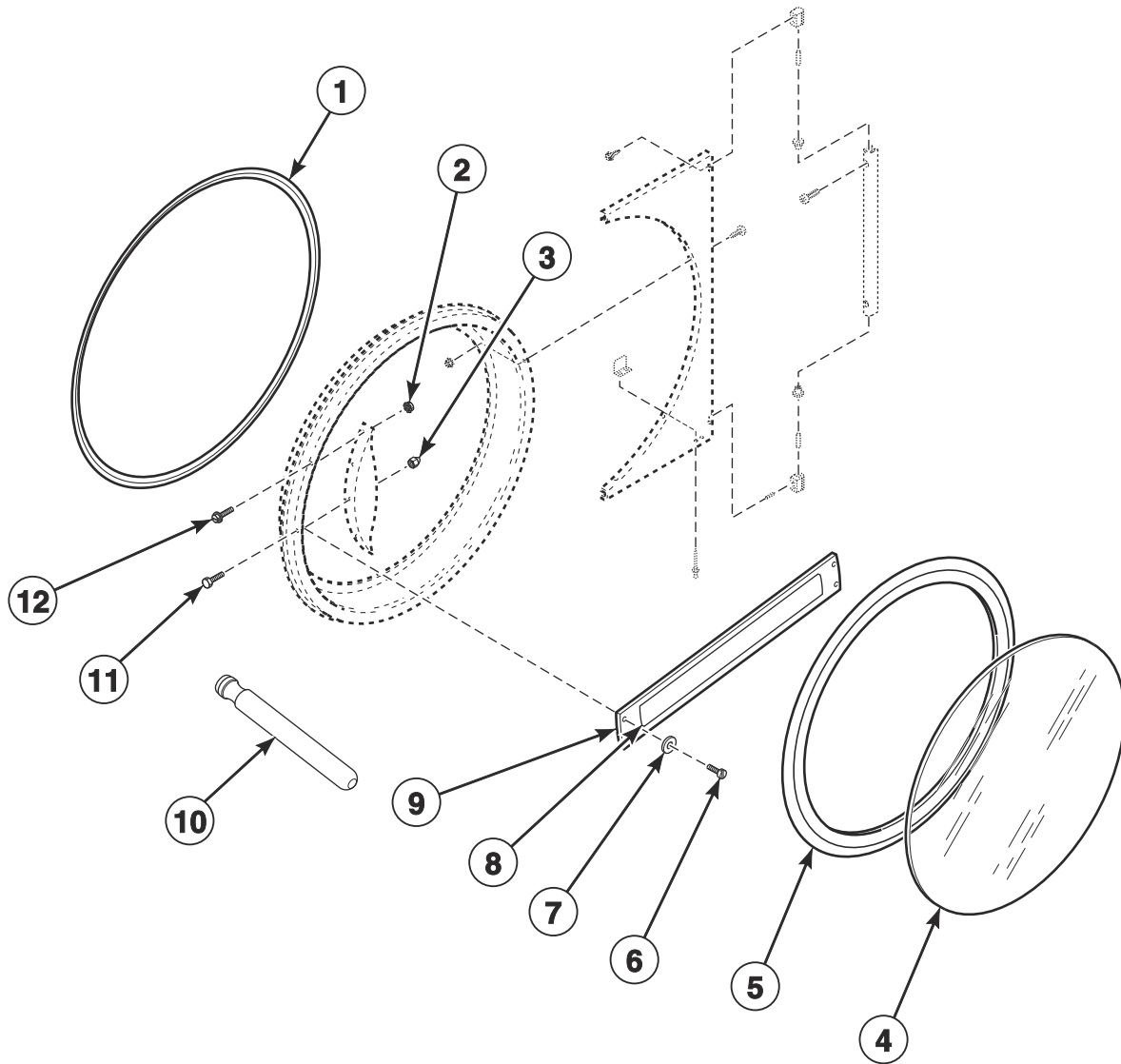
TMB3086PA_70304801

Door Ring and Handle

REF	PART NO.	DESCRIPTION	COMMENTS
1	44007902P	Door Handle	M, N and S models; U models through 8/17/14; B, C and I models starting 8/1/11
	44057701	Door Handle	H models
	M400133	Door Handle	P models; Models through 9/30/14
	430117	Door Handle	L models through 1/28/15
	70566701	Door Handle Replacement Kit	L models through 1/28/15; Kit needed only when handle is being mounted on a stamped door ring
	44263801	Door Handle	U models; Models starting 8/18/14
	70538104	Door Handle	H and U models; Models starting 4/1/19
2	70543901	Door Ring Assembly	H, M, N and S models; P models through 9/30/14; U models through 8/17/14; L models through 1/28/15; See NOTE
	70543902	Door Ring Assembly	U models; Models starting 8/18/14; See NOTE
	70543905	Door Ring Assembly	H and S models; Chrome option
	70505713P	Door Ring Assembly	U models; Chrome option
	44043501	Door Ring and Handle Assembly	B, C, and I models; Models through 7/31/11
	70505709B	Door Ring Assembly	B, C, and I models; Models starting 8/1/11
	70505707B	Door Ring	G and K models
	70543907LG	Door Ring and Handle Assembly	P models starting 10/1/14; L models starting 1/29/15; See NOTE
	70543907B	Door Ring and Handle Assembly	P models starting 7/5/16; Use with stainless steel and white front panel
	70538002	Door Assembly	H and U models without stainless steel front panel
	70543904B	Door Ring Assembly	S models without stainless steel front panel

NOTE: Models through Serial No. 1610047745 with a stainless steel front panel - if ordering a new door ring, a new stainless steel front panel must also be ordered.

Door Components

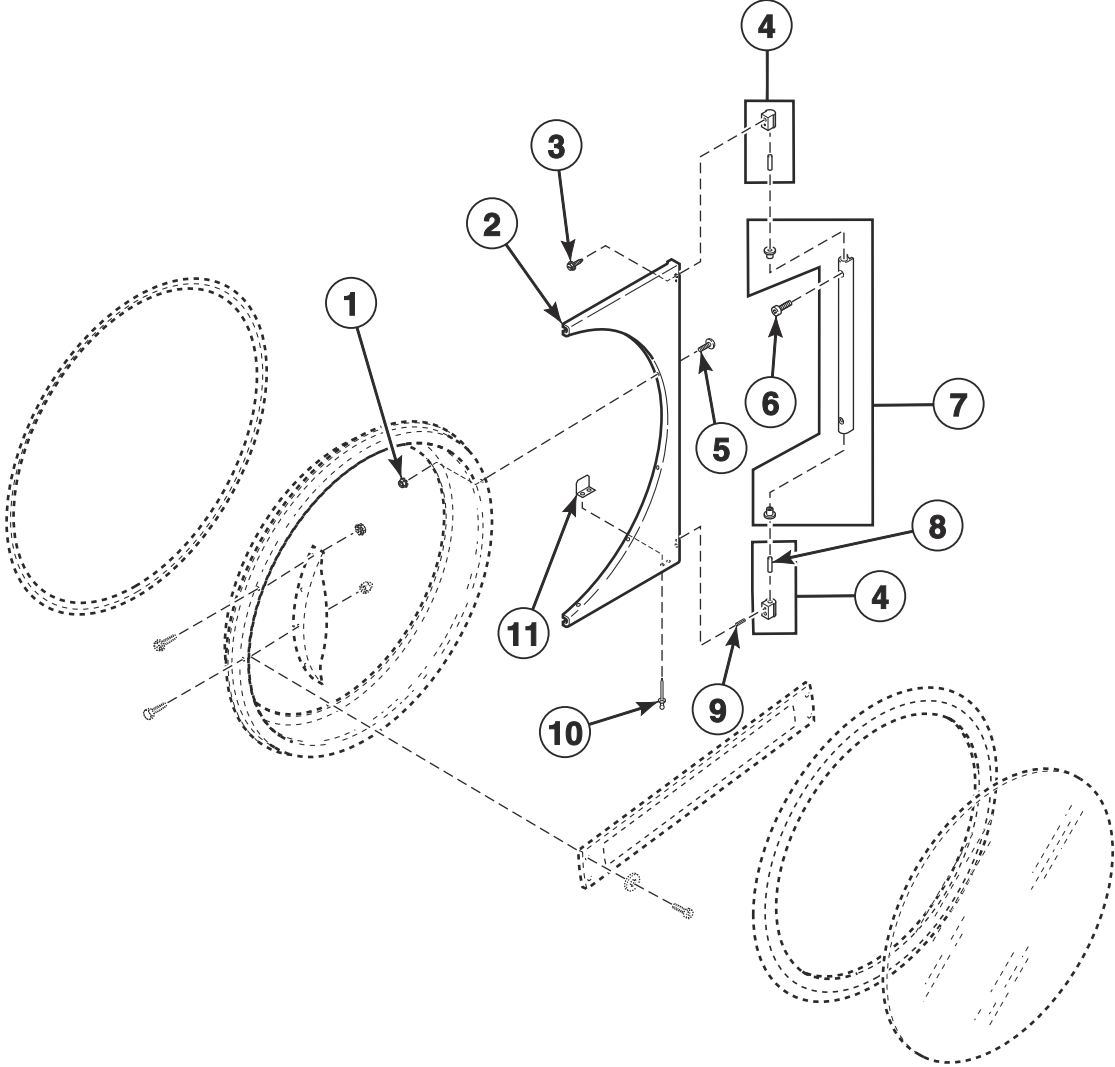


TMB3393P_70304801

Door Components

REF	PART NO.	DESCRIPTION	COMMENTS
1	70296801	Door Ring Gasket	
2	44088001	Nut	
3	M414215	Nut	Door strike
4	70133601P	Door Glass	H models; Use Loctite 414 or equivalent adhesive to attach to item 5
	M400784P	Door Glass	All other models; Use Loctite 414 or equivalent adhesive to attach to item 5
5	70211901P	Door Glass Seal Kit	Use Loctite 414 for seal
6	70412601	Pop Rivet	G and K models; Attaches door handle to door ring
7	70409301	Washer	G and K models
8	70411401	Nameplate Overlay	G models; Coin
	44144401	Nameplate Overlay	K models; Coin
9	70399502B	Handle Bar	G and K models
10	M4221P4	Door Glass Installation Tool	
11	M400661	Screw	Door strike
12	70442101	Screw	H, M, N, S and U models
	430756	Screw	2 required for left side of door handle for L models
	61199	Screw	Model NTT30N_SERIAL_THROUGH_0904
	70126301	Pop Rivet	G and K models; 4 required

Door Hinge Components



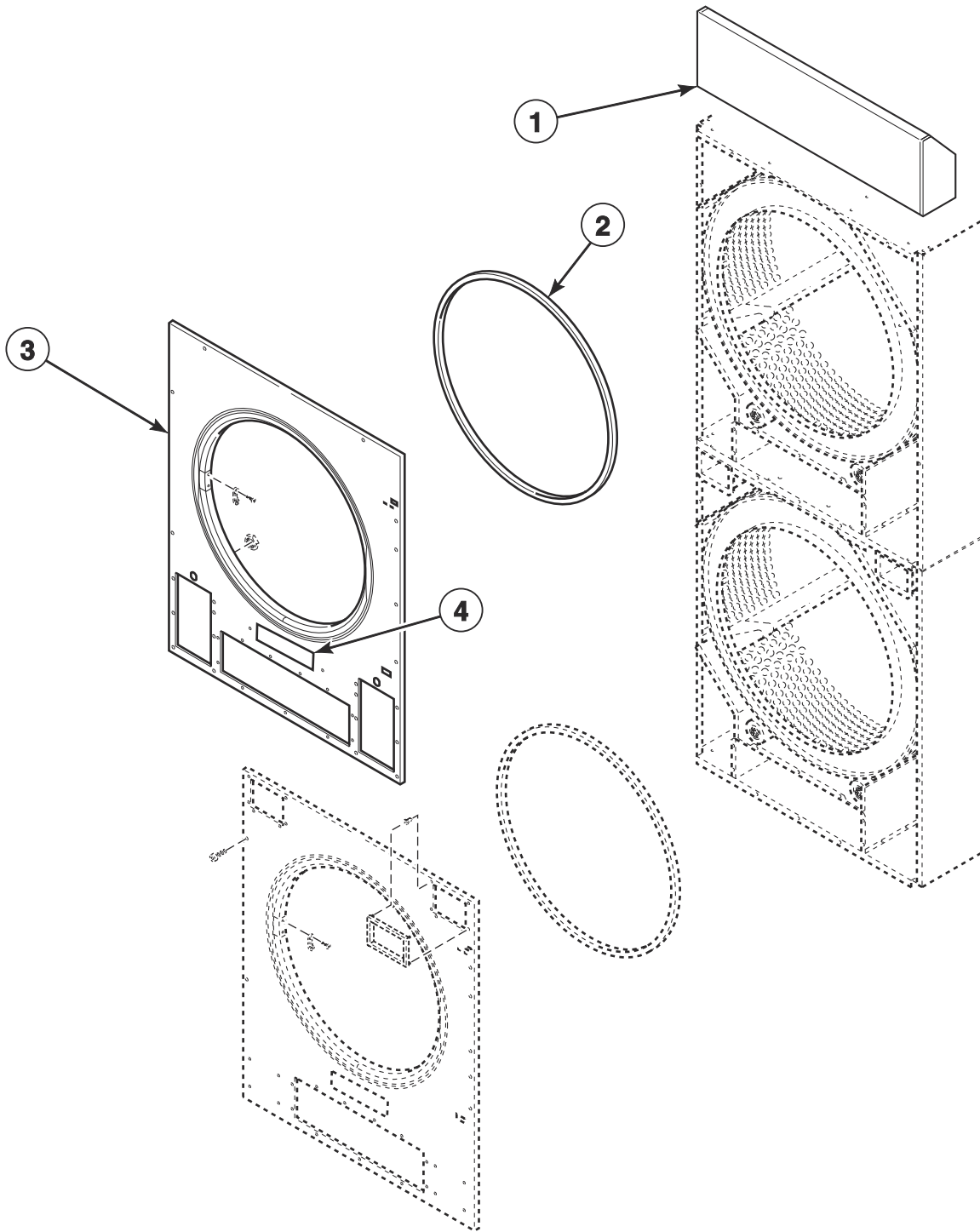
TMB3086PC_70304801

Door Hinge Components

REF	PART NO.	DESCRIPTION	COMMENTS
	M4788P3	Door Hinge Kit	B and I models; To change from old look to new look
1	23951	Nut	
2	70115903B	Door Hinge	Black; G and K models; B and I models starting 8/1/11; P models through 9/30/14; P models starting 7/1/17 with white front panel and starting 7/5/16 with stainless steel front panel
	70115901*	Door Hinge	H, M, N, S and U models; L models through 1/28/15; P models through 9/30/14; C models starting 8/1/11
	70115902	Door Hinge	C, H, M, S and U models through 3/31/15; I models through 7/31/11; L models through 1/28/15; Stainless steel
	70115904	Door Hinge	C, H, M, S and U models starting 4/1/15; Stainless steel
	70115903LG	Door Hinge	U models starting 8/18/14; P models starting 10/1/14; L models starting 1/29/15; Light gray
3	70442101	Screw	
4	M4773P3	Hinge Cam Kit	Black; G and K models; B and I models starting 8/1/11; P models starting 7/1/17 with white front panel and starting 7/5/16 with stainless steel front panel
	M4772P3	Hinge Cam Kit	C, H, L, M, N, P, S and U models; I models through 7/31/11
5	44349101	Screw	
6	70407301	Screw	Black; G and K models; B and I models starting 8/1/11; P models starting 7/1/17 with white front panel and starting 7/5/16 with stainless steel front panel
	70033502	Screw	C, H, L, M, N, P, S and U models; I models through 7/31/11
7	44035002	Door Hinge Lug Assembly	Black; G and K models; B and I models starting 8/1/11; P models starting 7/1/17 with white front panel and starting 7/5/16 with stainless steel front panel
	44035001	Door Hinge Lug Assembly	C, H, L, M, N, P, S and U models; I models through 7/31/11
8	70071401	Pin	
9	70071401	Pin	
10	70058501	Pop Rivet	
11	70215001P	Door Switch Actuator Kit	

* Add Letter To Designate Color. L - Almond Q - Bisque W - White

Upper Front Panel Assemblies and False Fronts



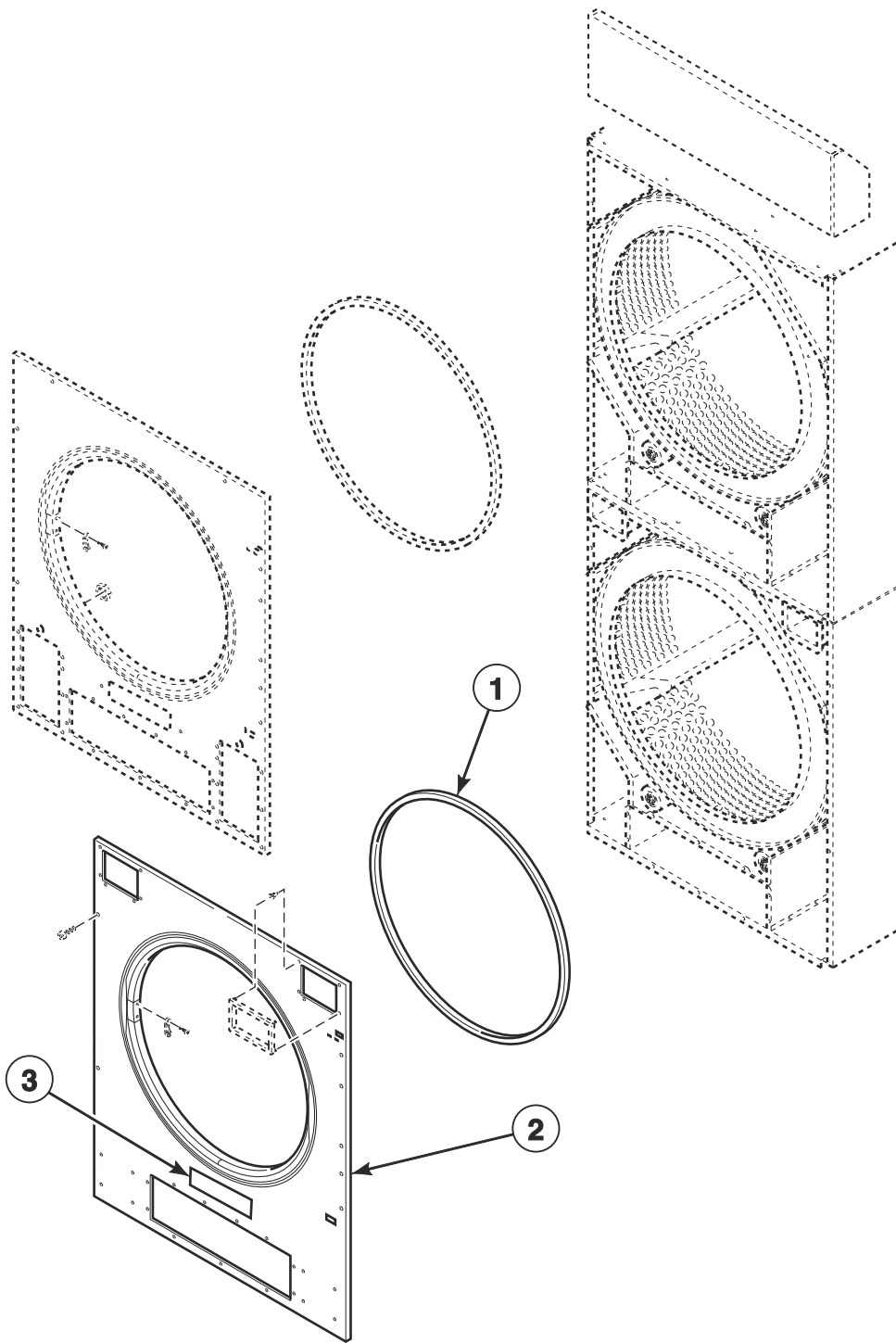
TMB3161P_70304801

Upper Front Panel Assemblies and False Fronts

REF	PART NO.	DESCRIPTION	COMMENTS
	70399401	Access Panel Trim	G and K models
1	70371701*P	False Front Kit	P models through 9/30/14; L models through 1/28/15; Includes C, G, H, K, M, N, S and U models; To match T45 height; Includes 2 screws
	70371702P	False Front Kit	P models through 9/30/14; L models through 1/28/15; Includes B, C, G, H, I, K, M, N S and U models through 3/31/15; Stainless steel; To match T45 height; Includes 2 screws
	70371704	False Front	G, H, K, M, N, S and U models; Models starting 4/1/15; Stainless steel; To match T45 height
	70371703LG	False Front	U models; To match T45 height; Light gray
	70371703DG	False Front	P models starting 10/1/14; L models starting 1/29/15; To match T45 height; Dark gray
2	70173401P	Front Panel Seal	Requires 511637P Adhesive
3	70391301*P	Upper Front Panel Assembly	B, C, G, H, I, K, M, N and S models; U models through 8/17/14; L models through 1/28/15; P models starting 7/1/17 with white front panel
	70391302P	Upper Front Panel Assembly	B, C, G, H, I, K, M and N models through 3/31/15; Stainless steel
	70618601	Upper Front Panel Assembly	B, C, G, H, I, K, M and P models starting 4/1/15; Stainless steel
	70391303P	Upper Front Panel Assembly	S models through 3/31/15; U models through 8/17/14; P models through 9/30/14; L models through 1/28/15; Stainless steel
	70391305	Upper Front Panel Assembly	S models starting 4/1/15; Stainless steel
	70485403	Upper Front Panel Assembly Kit	H models; Stainless steel; Includes trim
	70454501	Upper Front Panel Assembly	S models; Stainless steel; Includes trim
	70525301DG	Upper Front Panel Assembly	U models starting 8/18/14; P models starting 10/1/14; L models starting 1/29/15; Dark gray
	70525401W	Upper Front Panel Assembly	U models; Models starting 8/18/14; White
	70341307	Upper Front Panel Assembly	U models; Models starting 8/18/14 through 3/31/15; Stainless steel
	70533001	Upper Front Panel	U models starting 4/1/15; Stainless steel
4	70418101	Instruction Label	Card models

* Add Letter To Designate Color. L - Almond Q - Bisque W - White

Lower Front Panel Assemblies



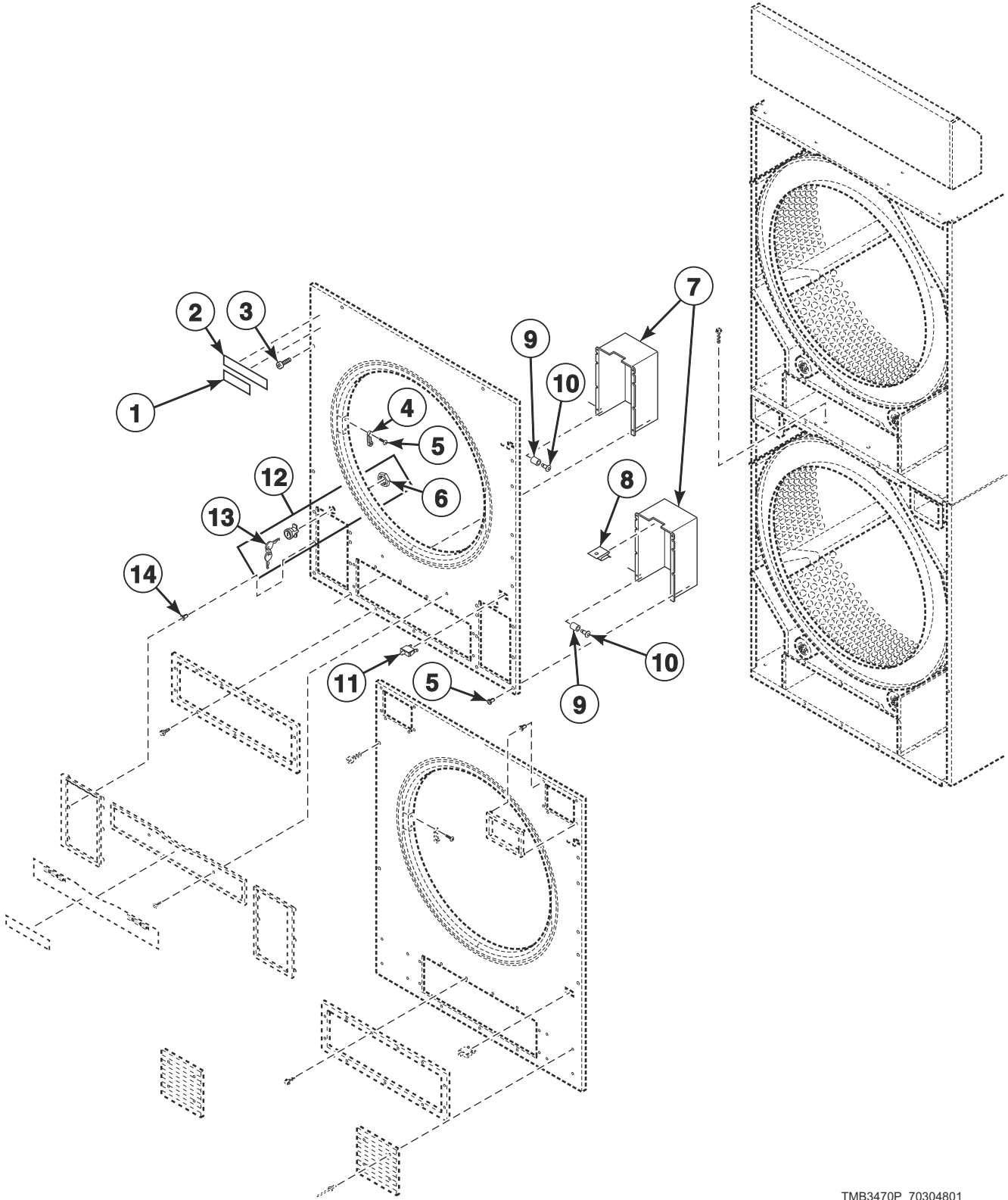
TMB3161PA_70304801

Lower Front Panel Assemblies

REF	PART NO.	DESCRIPTION	COMMENTS
	70399401	Access Panel Trim	G and K models
1	70173401P	Front Panel Seal	Requires 511637P Adhesive
2	70391205*	Lower Front Panel Assembly	P CE models through 9/30/14; L CE models through 1/28/15; All other CE models; OPL and card
	70391206P	Lower Front Panel Assembly	P CE models through 9/30/14; L CE models through 1/28/15; All other CE models through 3/31/15; OPL and card; Stainless steel
	70391209	Lower Front Panel	All CE models except L models starting 4/1/15; P CE models starting 7/1/17; OPL and card; Stainless steel
	70391201*P	Lower Front Panel Assembly	P models through 9/30/14 and starting again 7/1/17; L models through 1/28/15; All other models; Coin
	70391202P	Lower Front Panel Assembly	P models through 9/30/14; L models through 1/28/15; All other models through 3/31/15; Coin; Stainless steel
	70391207	Lower Front Panel	All models except L and N models starting 4/1/15; P models starting 7/1/17; Coin; Stainless steel
	70391203*P	Lower Front Panel Assembly	P models through 9/30/14 and starting again 7/1/17; L models through 1/28/15; All other models; OPL and card
	70391204	Lower Front Panel Assembly	P models through 9/30/14; L models through 1/28/15; All other models through 3/31/15; OPL and card; Stainless steel
	70391208	Lower Front Panel	All models except L and N models starting 4/1/15; P models starting 7/1/17; OPL and card; Stainless steel
	70485402	Lower Front Panel Assembly Kit	H models; Stainless steel; Includes trim
	70454502	Lower Front Panel Assembly	S models; Stainless steel; Includes trim
	70575201LG	Lower Front Panel	U non-CE models; OPL; Light gray
	70575301LG	Lower Front Panel	U CE models; OPL; Light gray
	70619701DG	Lower Front Panel	P non-CE models starting 10/1/14; L non-CE models starting 1/29/15; OPL and card; Dark gray
	70575301DG	Lower Front Panel	P CE models starting 10/1/14; L CE models starting 1/29/15; OPL and card; Dark gray
	70575101DG	Lower Front Panel	P models starting 10/1/14; L models starting 1/29/15; Coin; Dark gray
3	70418101	Instruction Label	Card

* Add Letter To Designate Color. L - Almond Q - Bisque W - White

Upper Cabinet Front Components (Drawing 1 of 2)

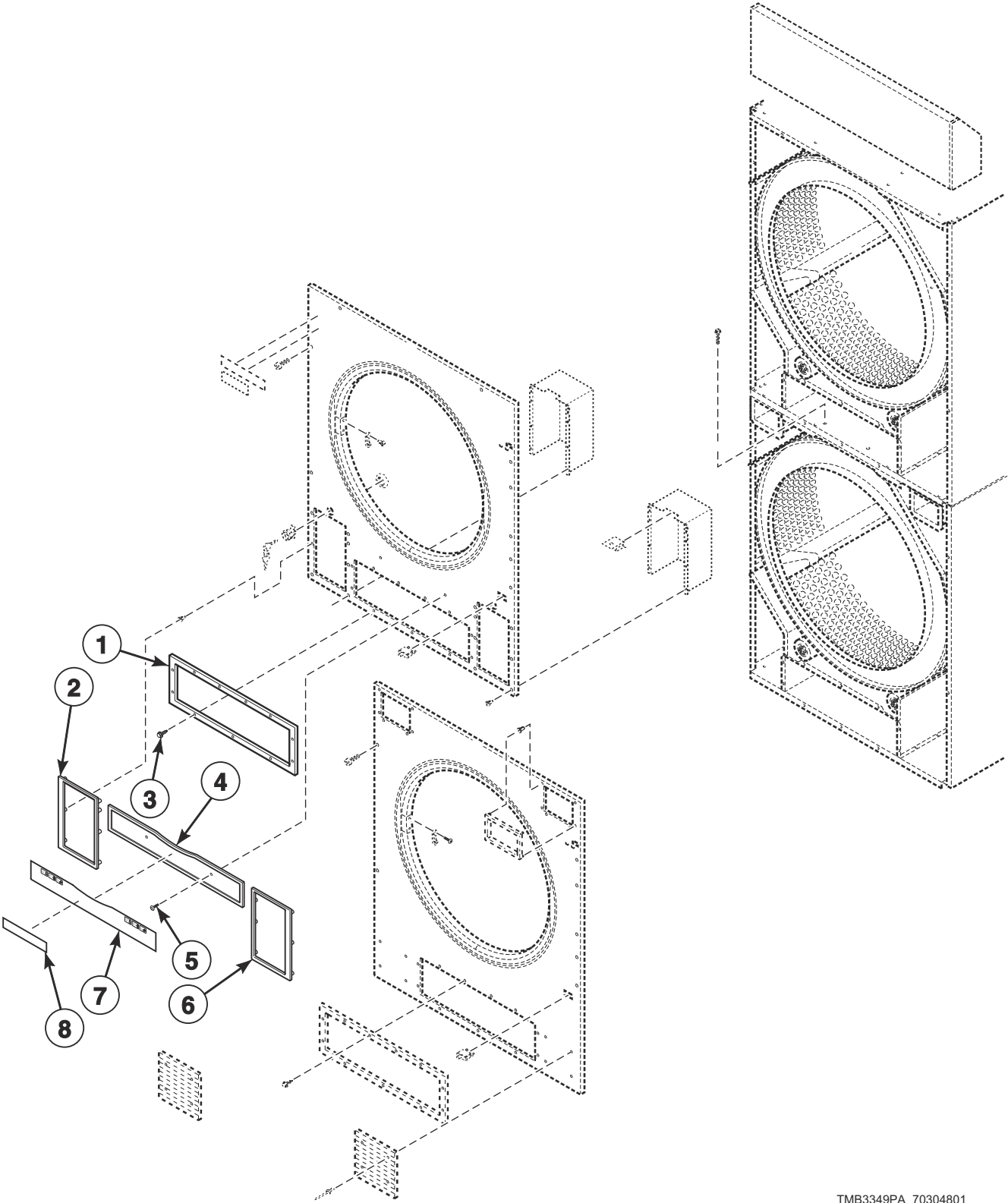


TMB3470P_70304801

Upper Cabinet Front Components (Drawing 1 of 2)

REF	PART NO.	DESCRIPTION	COMMENTS
	70017301	Front Panel Baffle Seal	2 required
	70534301	Warning Label	
1	70289201	Nameplate	C models through Serial No. 0205xxxxx
	44129906	Nameplate	C models starting Serial No. 0205xxxxx
	70286601	Label	B models through 7/8/12
	70289801	Nameplate	I models through 7/8/12
2	44062901	Nameplate	C models
	44046801	Nameplate	B and I models through 7/9/12
	B12389801	Nameplate	B and I models starting 7/10/12
	70414001	Label	G and K models; Coin
3	70033502	Screw	For painted front panels
	70182601	Screw	For stainless steel front panels
4	M401223	Door Latch	
5	M400003	Pop Rivet	2 required for item 4; 4 required for item 8
6	44088801	Nut	Panel lock
7	70119901	Control Housing	
8	M406494	Panel Clip	2 required per control housing
9	431264	Spacer	2 required
10	44251101	Pop Rivet	2 required
11	70413301	Pushbutton Switch	Door switch
12	44089301P	Lock, Key and Nut Kit	RL001
13	70155601	Key	RL001
14	M400972	Shadow Box Clip	6 required per coin vault trim

Upper Cabinet Front Components (Drawing 2 of 2)

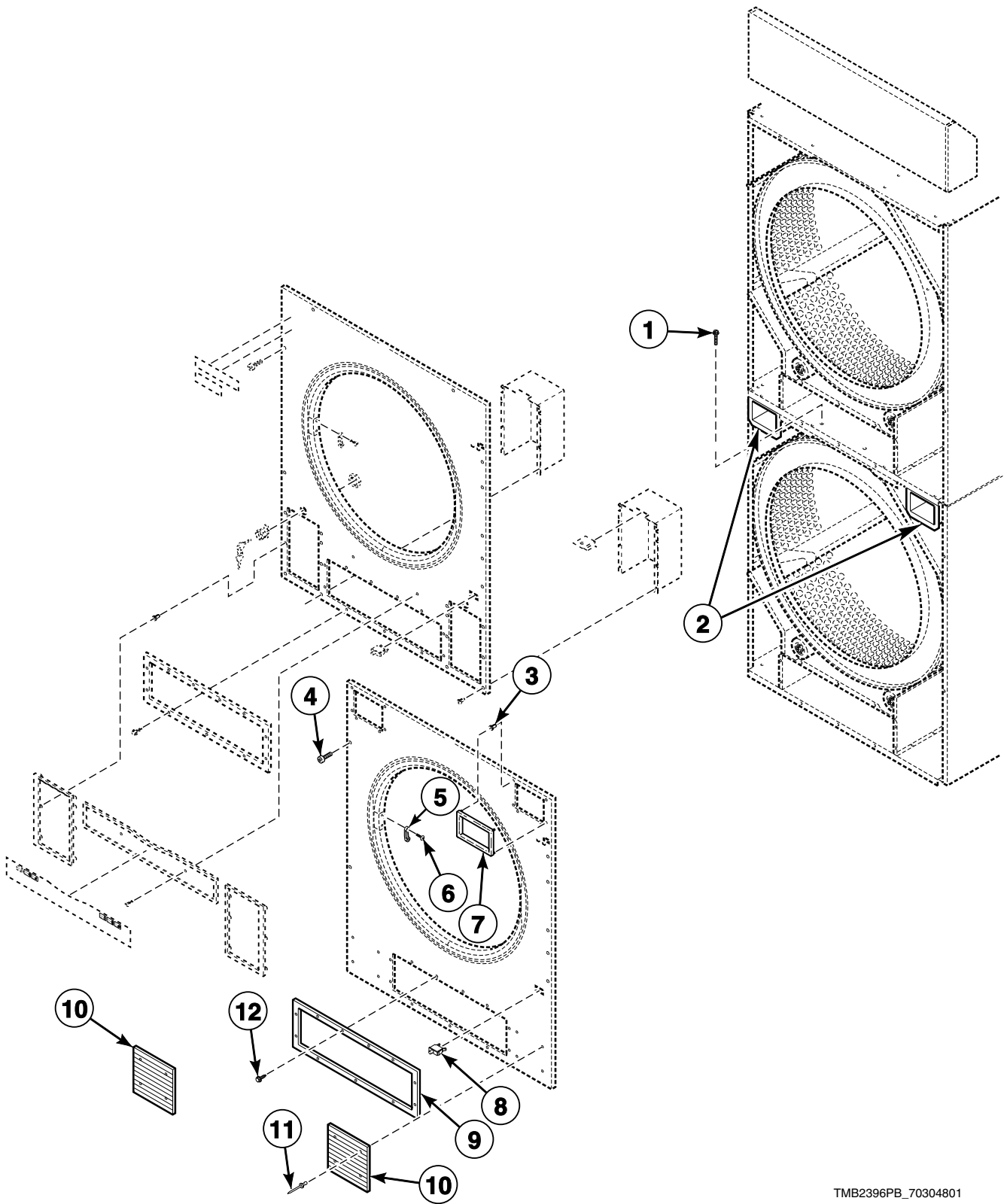


TMB3349PA_70304801

Upper Cabinet Front Components (Drawing 2 of 2)

REF	PART NO.	DESCRIPTION	COMMENTS
	70017301	Front Panel Baffle Seal	2 required
	70534301	Warning Label	
1	70117901P	Lint Drawer Gasket	
2	70117001	Control Trim	NTT30N_SERIAL_THROUGH_0904 and H models; Gray; Left
	70116904	Control Trim	U models; Models starting 8/18/14; Gray; Left
	70116902	Control Trim	U models through 8/17/14; All other models; Black; Left
3	70275801	Screw	8 required
4	70120501	Control Trim	L, N, P and S models; Center
5	M405188	Screw	N, S and U models; 2 required
6	70117001	Control Trim	NTT30N_SERIAL_THROUGH_0904 and H models; Gray; Right
	70116903	Control Trim	U models; Models starting 8/18/14; Gray; Right
	70116901	Control Trim	U models through 8/17/14; All other models; Black; Right
7	70523501	Overlay	M models; Chinese; Card
	70114601	Overlay	N and S models; Coin
	70115401	Overlay	N and S models; Card
	70362601	Overlay	N and S models; U models through 8/17/14; Blank
	70412901	Overlay	P models; Models through 9/30/14
	70509201	Overlay	P models starting 10/1/14; L models starting 3/28/15; Coin
	70509401	Overlay	P models starting 10/1/14; L models starting 3/28/15; OPL
	70243801	Overlay	L models through 3/27/15
8	70521201	Nameplate	L models starting 1/29/15

Lower Cabinet Front Components

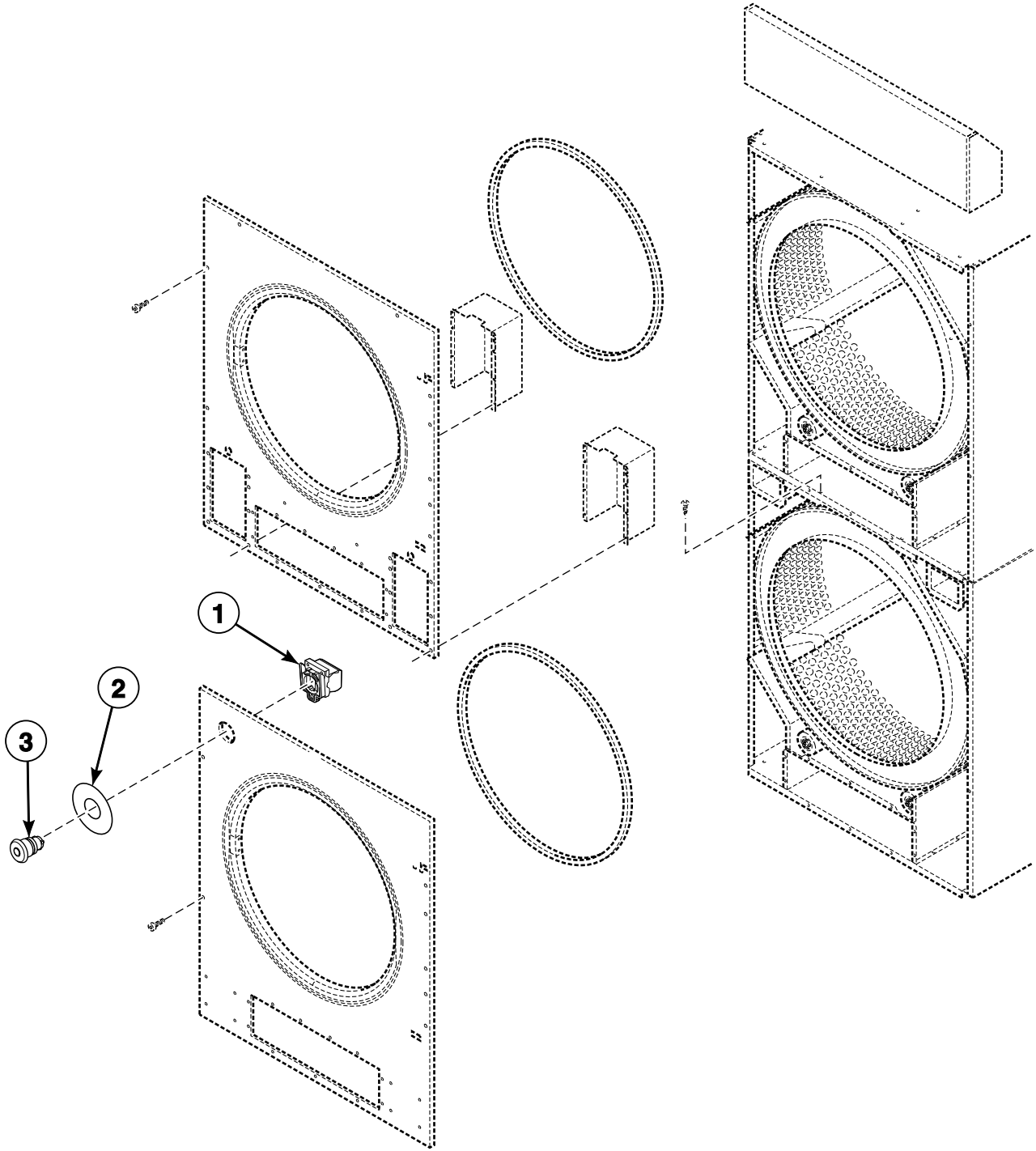


TMB2396PB_70304801

Lower Cabinet Front Components

REF	PART NO.	DESCRIPTION	COMMENTS
	M4379P4	Tumbler Dolly Kit	
	70534301	Warning Label	
	70449001	Base Harness	
	70017301	Front Panel Baffle Seal	2 required
1	70069901	Screw	
2	70180101	Coin Vault Assembly	
3	M400972	Shadow Box Clip	6 required per coin vault trim
4	70033502	Screw	For painted front panels
	70182601	Screw	For stainless steel front panels
5	M401223	Door Latch	
6	44166601	Pop Rivet	2 required per latch; 4 required per control housing
7	70117501	Coin Vault Trim	NTT30N_SERIAL_THROUGH_0904 and H models; Gray
	70117502	Coin Vault Trim	All other models except U models; Black
8	70413301	Pushbutton Switch	Door switch
9	70117901P	Lint Drawer Gasket	
10	70117606	Kickplate	NTT30N_SERIAL_THROUGH_0904 and H models; U models starting 8/18/14; Gray
	70117605	Kickplate	U models through 8/17/14; All other models; Black
11	70126401	Pop Rivet	NTT30N_SERIAL_THROUGH_0904 and H models; U models starting 8/18/14; 4 required per kickplate; Gray
	70126301	Pop Rivet	U models through 8/17/14; All other models; 4 required per kickplate; Black
12	70275801	Screw	8 required

Emergency Stop Button for CE Models

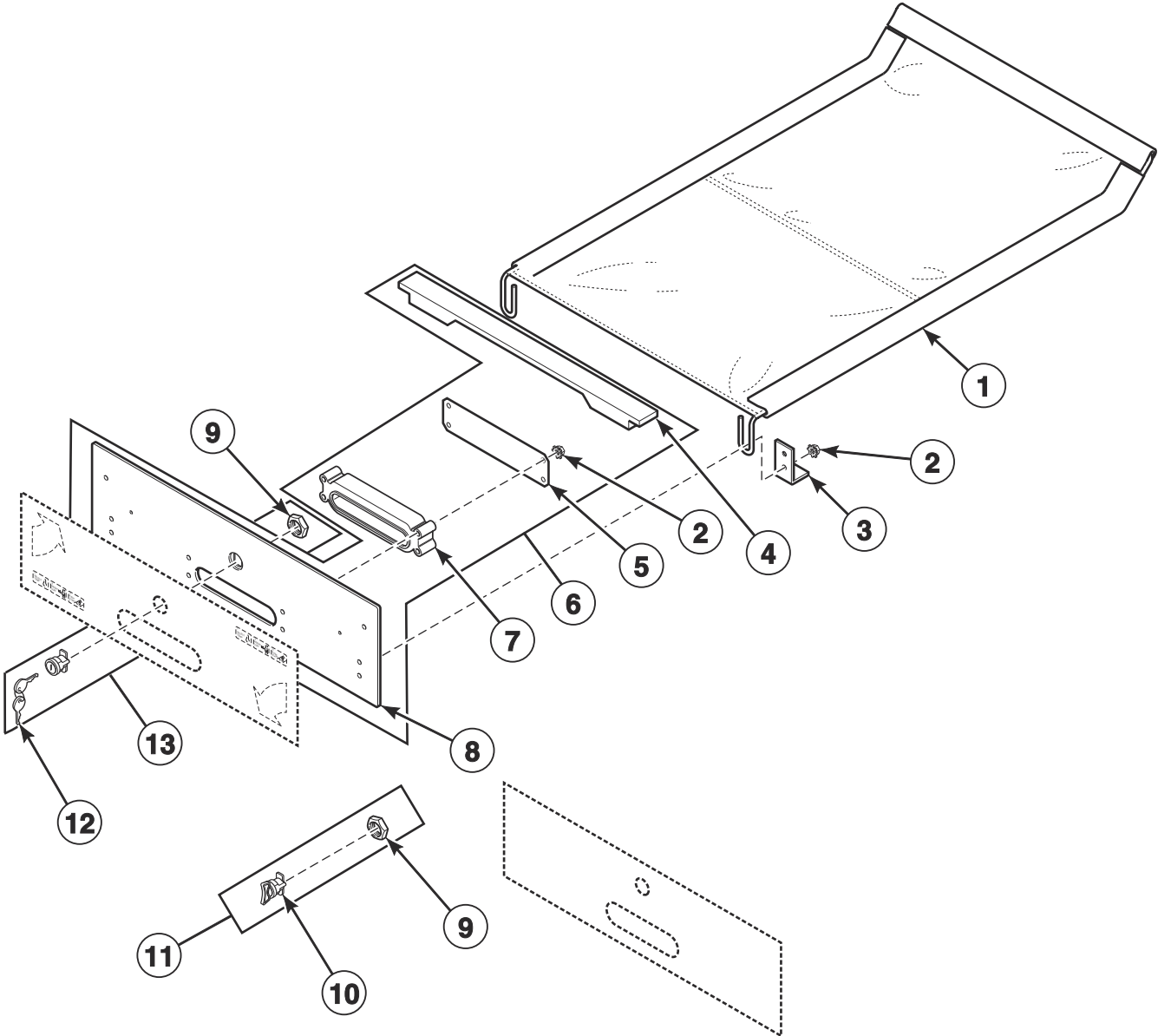


TMB2347P_70304801

Emergency Stop Button for CE Models

REF	PART NO.	DESCRIPTION	COMMENTS
	70364102	Emergency Stop Harness	2 contacts
	70364101P	Emergency Stop Harness	4 contacts
	F200233700P	Emergency Stop Button Kit	Models starting 10/1/07
1	44018701	Contact Block	Models through 9/30/07; With base
	44018901	Contact Block	Models through 9/30/07; Without base
	F200233401P	Contact Block Switch	Models starting 10/1/07 through 8/17/14
	F8069501	Contact Switch	Models starting 8/18/14
	F8538101	Contact Base	Models starting 8/18/14
2	44012901	Emergency Stop Label	
3	44018801	Pushbutton	Models through 9/30/07
	F200233500	Emergency Stop Pushbutton	Models starting 10/1/07

Lint Drawer Components

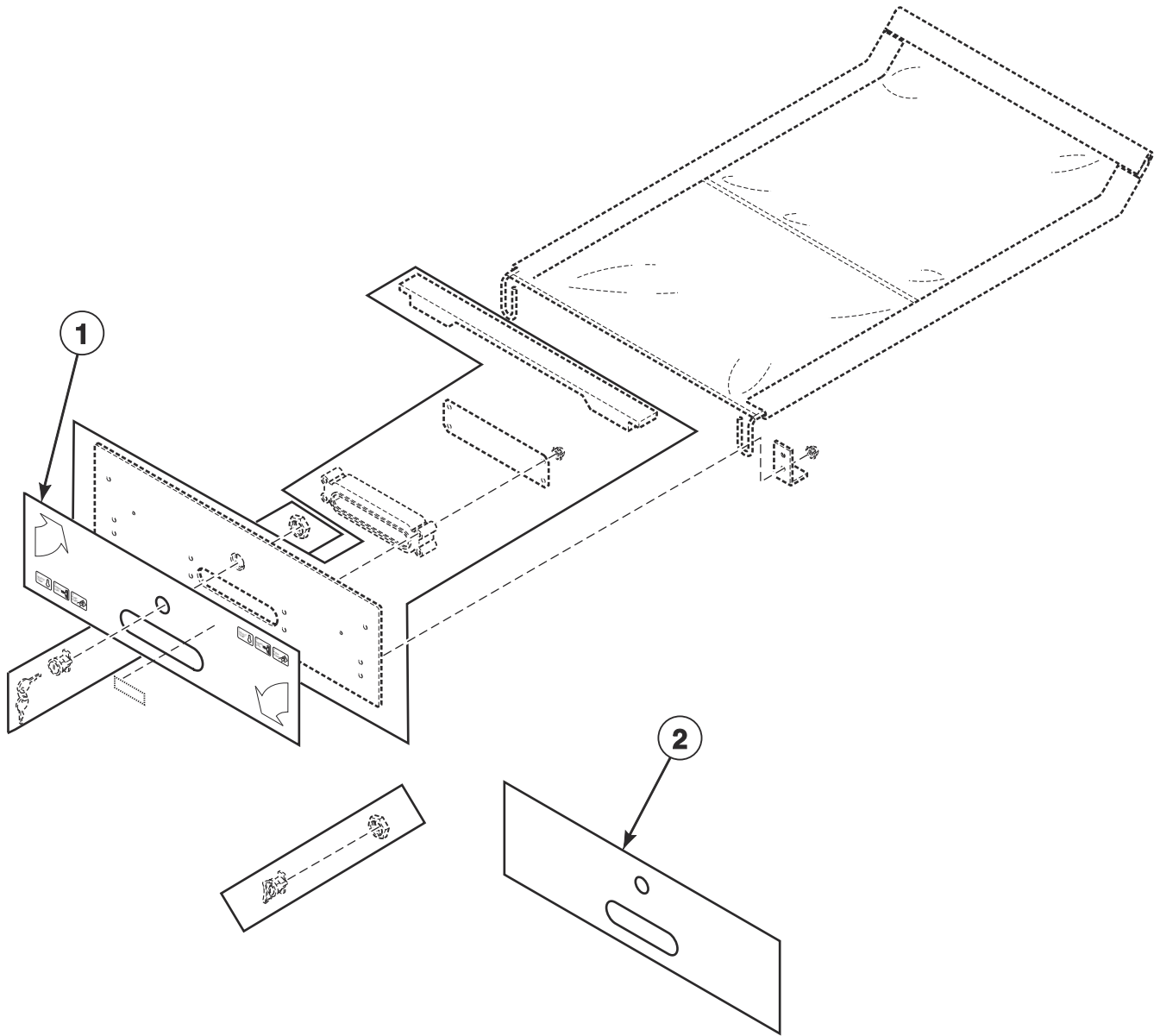


TMB2735P_70304801

Lint Drawer Components

REF	PART NO.	DESCRIPTION	COMMENTS
	70342401	Lock Shim	Black
	70342402	Lock Shim	Gray
1	70290601	Lint Screen Assembly	
2	44087101	Nut	6 required
3	70026901	Lint Screen Bracket	2 required
4	70333101	Lint Frame Gasket	
5	70323201	Lint Drawer Handle Plate	
6	70322901P	Lint Drawer Front Kit	Black; Includes 70342401 Lock Shim
	70322902P	Lint Drawer Front Kit	Gray; Includes 70342402 Lock Shim
7	70320801	Lint Drawer Handle	Black
	70320802	Lint Drawer Handle	Gray
8	70322905	Lint Panel and Studs Assembly	Black
	70322906	Lint Panel and Studs Assembly	Gray
9	44088801	Nut	
10	70399201	Panel Latch	B, C, G, H, I, K, N, S and U models; 3O, BG and QT control suffixes
11	70399201P	Panel Latch Kit	B, C, G, H, I, K, N, S and U models
12	70155602	Key	RL002
13	44089302P	Lock, Key and Nut Kit	RL002

Lint Drawer Overlays

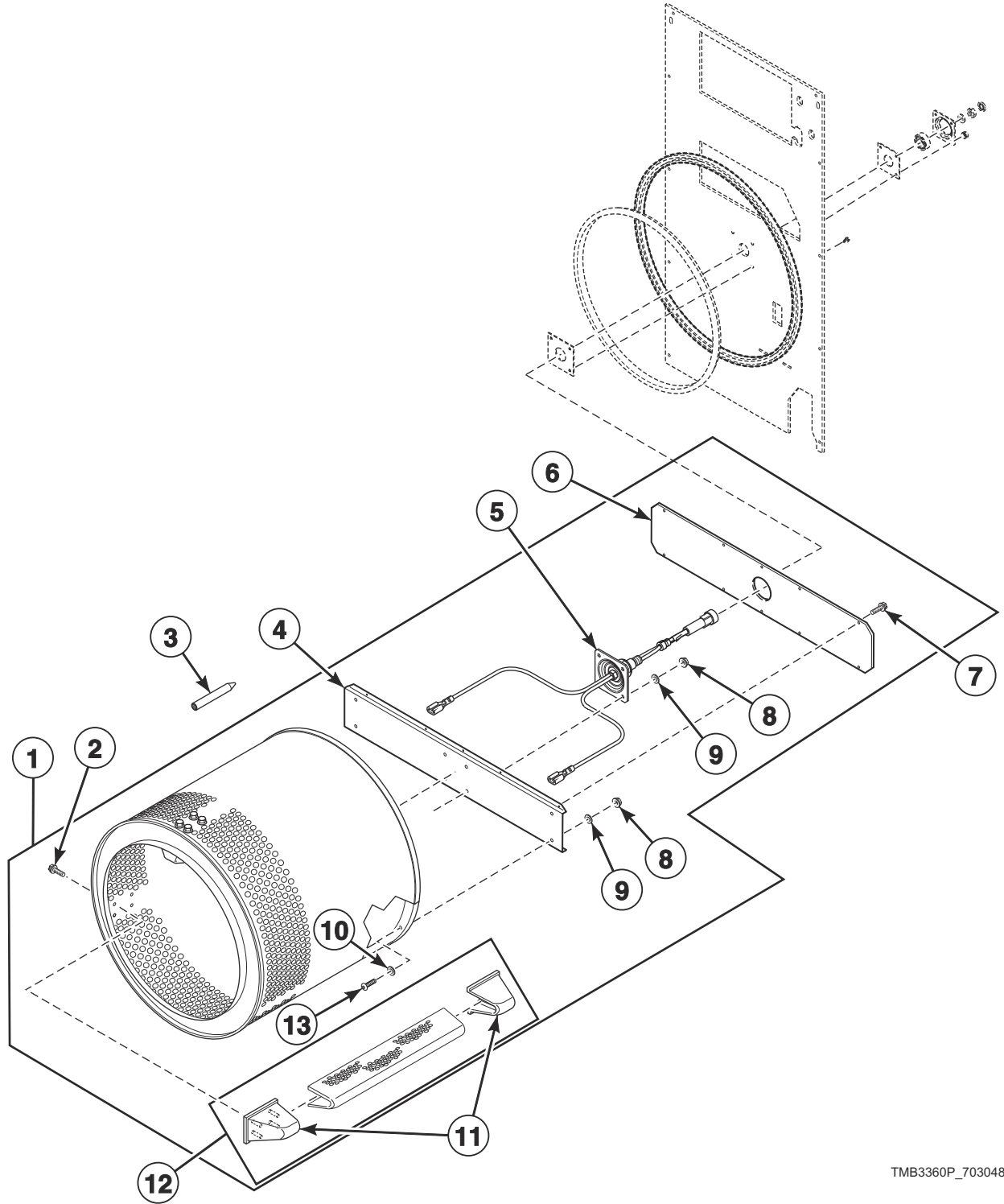


TMB3350P_70304801

Lint Drawer Overlays

REF	PART NO.	DESCRIPTION	COMMENTS
1	70114701	Overlay	S models; Upper lint drawer; OPL and coin; Text
	70136301	Overlay	S models; Upper lint drawer; OPL and coin; Icon
	70506001	Overlay	H models; Gray/Green; Upper lint drawer
	70506101	Overlay	H models; Green; Upper lint drawer
	70375301	Overlay	H models; Gray; Upper lint drawer; OPL
	70395901	Overlay	H models; Gray; Upper lint drawer; Coin/card; Text
	70136501	Overlay	H models; Gray; Upper lint drawer; Coin/card; Icon
	70460901	Overlay	U models; Models through 8/17/14; Upper lint drawer
	70499501	Overlay	U models; Models starting 8/18/14; Upper lint drawer
	70304301	Overlay	Model NTT30N_SERIAL_THROUGH_0904; Upper lint drawer
	70351601	Overlay	M models; Upper lint drawer
	70411601	Overlay	G models through 1/31/11; Upper lint drawer
	70137101	Overlay	L and P models; Upper lint drawer
	70413701	Overlay	K models; G models starting 2/1/11; Upper lint drawer
	70258201	Overlay	B, C and I models; Upper lint drawer; Text
	70285001	Overlay	B, C and I models; Upper lint drawer; Icon
	2	70115301	Overlay
70136401		Overlay	B, C, G, K, L, N, P, S models; U models through 8/17/14; Lower lint drawer; Icon
70115201		Overlay	H models; U models starting 8/18/14; Lower lint drawer; Text
70136601		Overlay	H models; Lower lint drawer; Icon
70351701		Overlay	M models; Lower lint drawer

Cylinder and Trunnion Components



TMB3360P_70304801

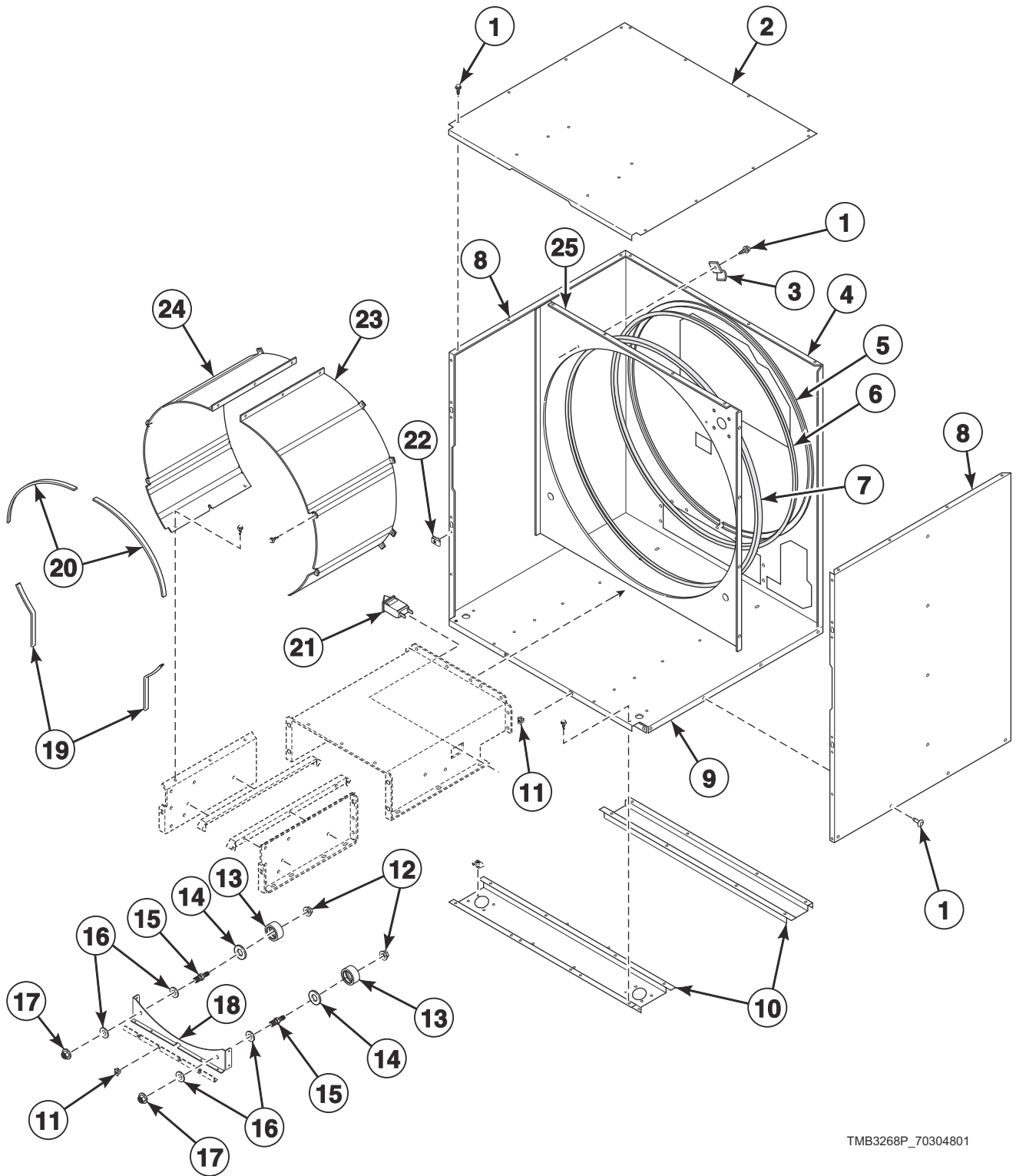
Cylinder and Trunnion Components

REF	PART NO.	DESCRIPTION	COMMENTS
	70343101P	Drywall Screw Magnet Kit	Includes 6 magnets and 6 screws
1	70372503P	Cylinder Assembly	K models; Non-moisture sensing
	70372501P	Cylinder Assembly	All models except K models; Galvanized; Non-moisture sensing
	70372502P	Cylinder Assembly	All models except K models; Stainless steel; Non-moisture sensing
	70443903	Cylinder and Trunnion Assembly	G and K models; Moisture sensing
	70443901P	Cylinder and Trunnion Assembly	All models except G and K models; Galvanized; Moisture sensing
	70443902	Cylinder and Trunnion Assembly	All models except G and K models; Stainless steel; Moisture sensing
2	62588	Screw	
3	263P4	Cylinder Guide Tool	
4	70257101	Rear Cylinder Channel	Non-moisture sensing
	70257102	Rear Cylinder Channel	Moisture sensing
5	70564803	Trunnion and Seal Kit	Non-moisture sensing
	70564804	Trunnion and Seal Kit	Moisture sensing; Includes 70454601 Trunnion and Wire Assembly
6	70257201	Rear Cylinder Channel Plate	
7	430497	Screw	10 required
8	M412986	Nut	
9	M400080	Washer	Models through Serial No. 0708006765
10	70411301	Washer	Models starting Serial No. 0708006766
11	70070101	End Cap	Non-moisture sensing
	70070102	End Cap	Moisture sensing
12	70433002	Cylinder Rib Assembly	Moisture sensing
13	70391101	Screw	8 required

Bearing Components

REF	PART NO.	DESCRIPTION	COMMENTS
1	430352	Cylinder Bearing Stud Plate Assembly	
2	70013701P	Rear Cylinder Seal	Requires Adhesive
3	70506402	Rear Cylinder Seal Support	
4	70355001	Rear Bearing Shim	
5	70448701	Support Bearing	
6	70013901	Rear Cylinder Bearing Housing	
7	M400991	Washer	
8	M400034	Nut	
9	M400022	Nut	
10	M412986	Nut	
	70411301	Washer	Models starting Serial No. 0708006766

Cabinet Components



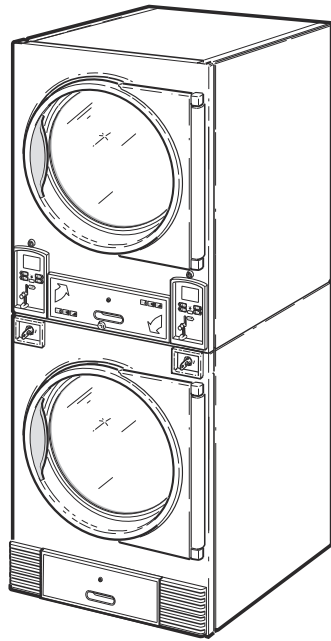
TMB3268P_70304801

Cabinet Components

REF	PART NO.	DESCRIPTION	COMMENTS
	430352	Cylinder Bearing Stud Plate Assembly	
	70058501	Pop Rivet	
	21899	Nut	For leveling legs
	70247701	Screw	For leveling legs
	70560401	Lower Pan	Lower pan of lower pocket
1	430497	Screw	
2	70357701	Top Panel Assembly	Upper; Includes threaded insert
3	70226701	Clip	
4	70339401	Rear Panel	Gas models
	70339402	Rear Panel	Electric and steam models
5	70506402	Rear Cylinder Seal Support	
6	70013701P	Rear Cylinder Seal	Requires D511637P Adhesive
7	70066003	Center Cylinder Seal	Includes center cylinder seal support and center cylinder seal
8	70231803LG	Side Panel	U models; Light gray
	70231801DG	Side Panel	P models starting 10/1/14; L models starting 1/29/15; Dark gray
	70231801*P	Side Panel	P models through 9/30/14; L models through 1/28/15; All other models
9	70339501	Top Panel	Lower
10	70288201	Channel Base Assembly	
11	70030501	Expansion Clip	
12	430576	Nut	
13	70616701	Roller and Seal Kit	
14	70443601	Roller Seal	Models starting 3/1/10
15	70249501	Roller Shaft	
16	70261401	Washer	
17	70288801	Nut	
18	70339001	Roller Support Bracket	
19	70015711	Sheet Metal Edge Gasket	Lower
20	70015712	Sheet Metal Edge Gasket	Upper
21	431159	Switch	For lint drawer
22	70030401	Nut	
23	70339301	Cylinder Shroud	Right
24	70339302	Cylinder Shroud	Left
25	70639201	Center Partition	

* Add Letter To Designate Color. L - Almond Q - Bisque W - White

Touch-Up Paint

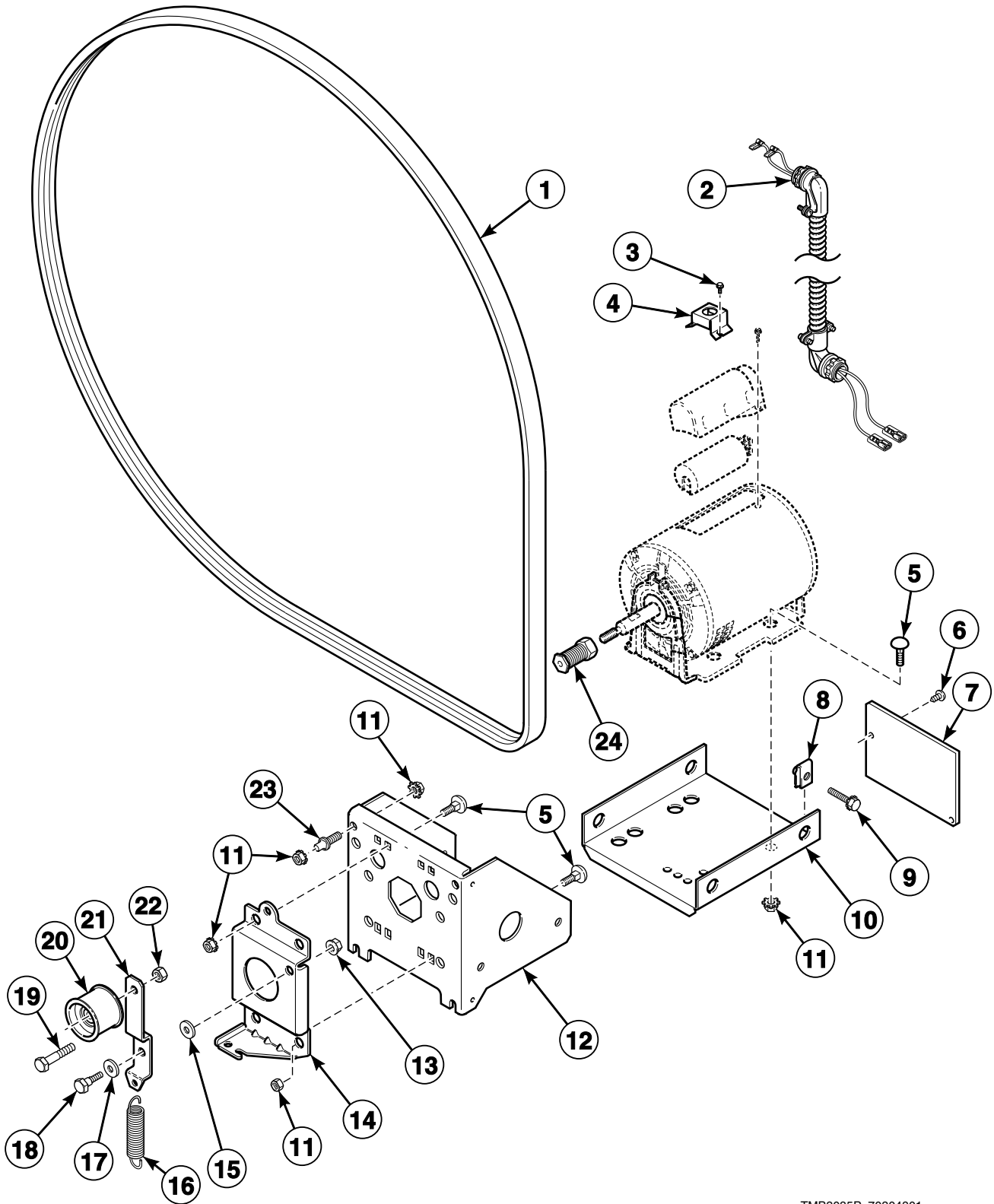


T477C_70304801

Touch-Up Paint

REF	PART NO.	DESCRIPTION	COMMENTS
	298P4P	Spray Paint	White
	297P4	Spray Paint	Almond
	381P4	Spray Paint	Bisque
	382P4	Spray Paint	Cream
	122P4P	Porcelain Touch-Up Paint	White
	215P4P	Porcelain Touch-Up Paint	Almond
	370P4P	Porcelain Touch-Up Paint	Bisque

Drive Motor Components

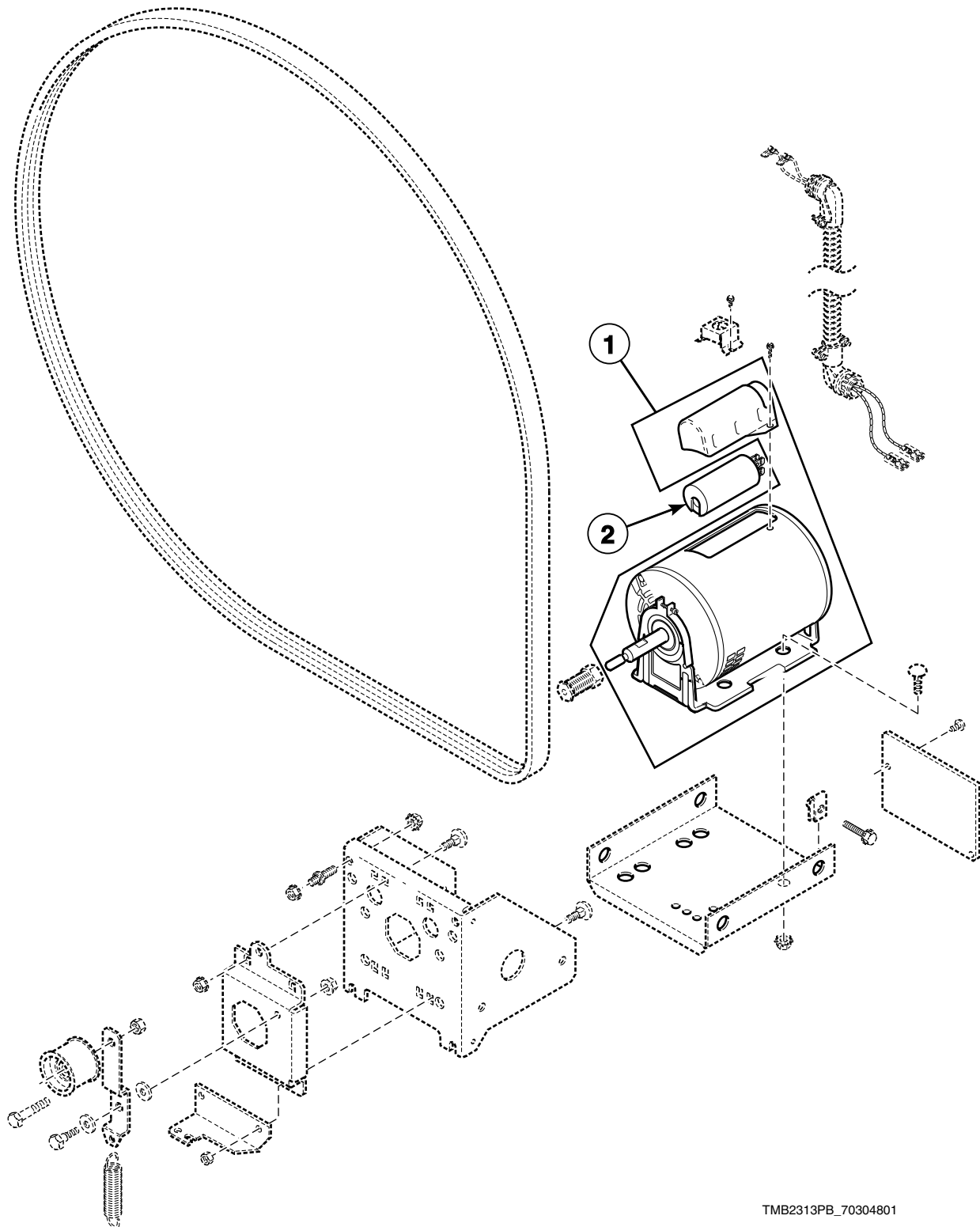


TMB3085P_70304801

Drive Motor Components

REF	PART NO.	DESCRIPTION	COMMENTS
	M4853P3	Belt Tension Tool Kit	
1	70276201P	Belt	
2	70316701P	Cylinder Motor Harness	Models through 2/28/10; 1 Phase models; 3 Phase electric models with 240 Volt and below
	70316801P	Cylinder Motor Harness	Models through 2/28/10; 3 Phase models except electric models with 240 Volt and below
	70439901	Cylinder Motor Harness	Models starting 3/1/10; 1 Phase models; 3 Phase electric models with 240 Volt and below
	70440301	Cylinder Motor Harness	Models starting 3/1/10; 3 Phase models except electric models with 240 Volt and below
3	23222	Screw	
4	70321701	Motor Conduit Mounting Bracket	
5	70062401	Bolt	
6	430497	Screw	
7	70202501	Drive Access Cover	
8	27222	Nut	4 required
9	70566401	Screw	
10	70127301	Motor Mount Bracket	
11	M412986	Nut	
12	70261701	Motor Channel	
13	29796	Nut	
14	70443301	Idler Bracket	
15	70270301	Washer	
16	70045301	Drum Idler Spring	With silencer
17	70265901	Washer	
18	M400056	Screw	
19	430648	Screw	
20	70050401P	Idler Wheel Assembly	
21	70259901	Cylinder Idler Arm	
22	56156	Nut	
23	70334701	Double Ended Stud	
24	70284203	Motor Pulley	50 Hertz
	70284201	Motor Pulley	60 Hertz

Drive Motors and Motor Capacitors

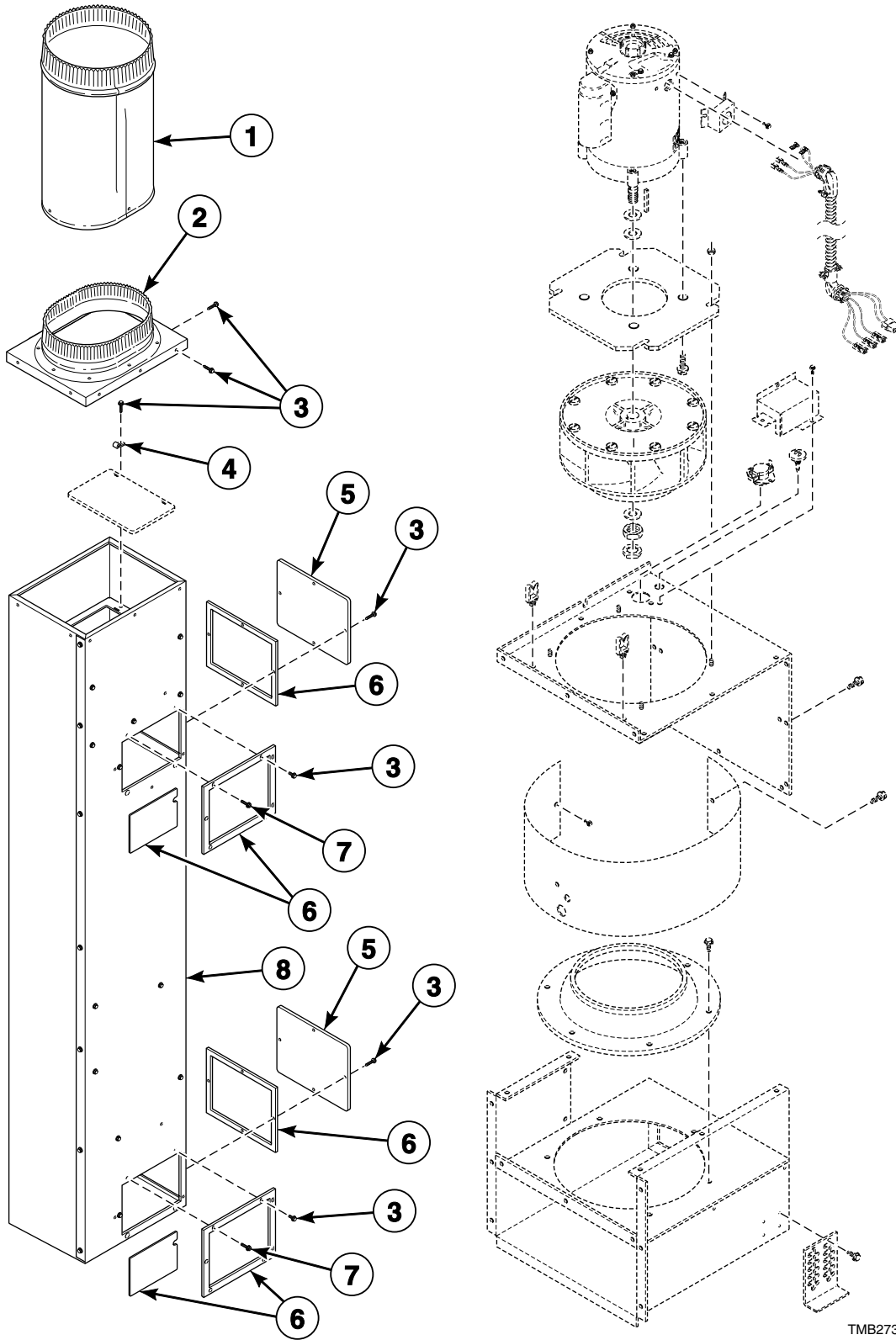


TMB2313PB_70304801

Drive Motors and Motor Capacitors

REF	PART NO.	DESCRIPTION	COMMENTS
1	70337801P	Drive Motor	120-230 Volt/60 Hertz/1 Phase and 100-200 Volt/50 Hertz/1 phase
	70337901P	Drive Motor Kit	120-240 Volt/60 Hertz/1 Phase; Low Amp
	70338001P	Drive Motor Kit	230-240 Volt/50 Hertz/1 Phase; No run capacitor
	70338101P	Drive Motor	200-480 Volt/60 Hertz/3 Phase and 200-415 Volt/50 Hertz/3 Phase; No capacitors
2	70211502	Motor Capacitor	Start; For 70337901 Drive Motor on 20 Amp models
	70211401	Motor Capacitor	Run; For 70337901 Drive Motor on 20 Amp models
	M410296	Motor Capacitor	Start; For 70337801P Drive Motor and 70338001P Drive Motor Kit

Exhaust Components

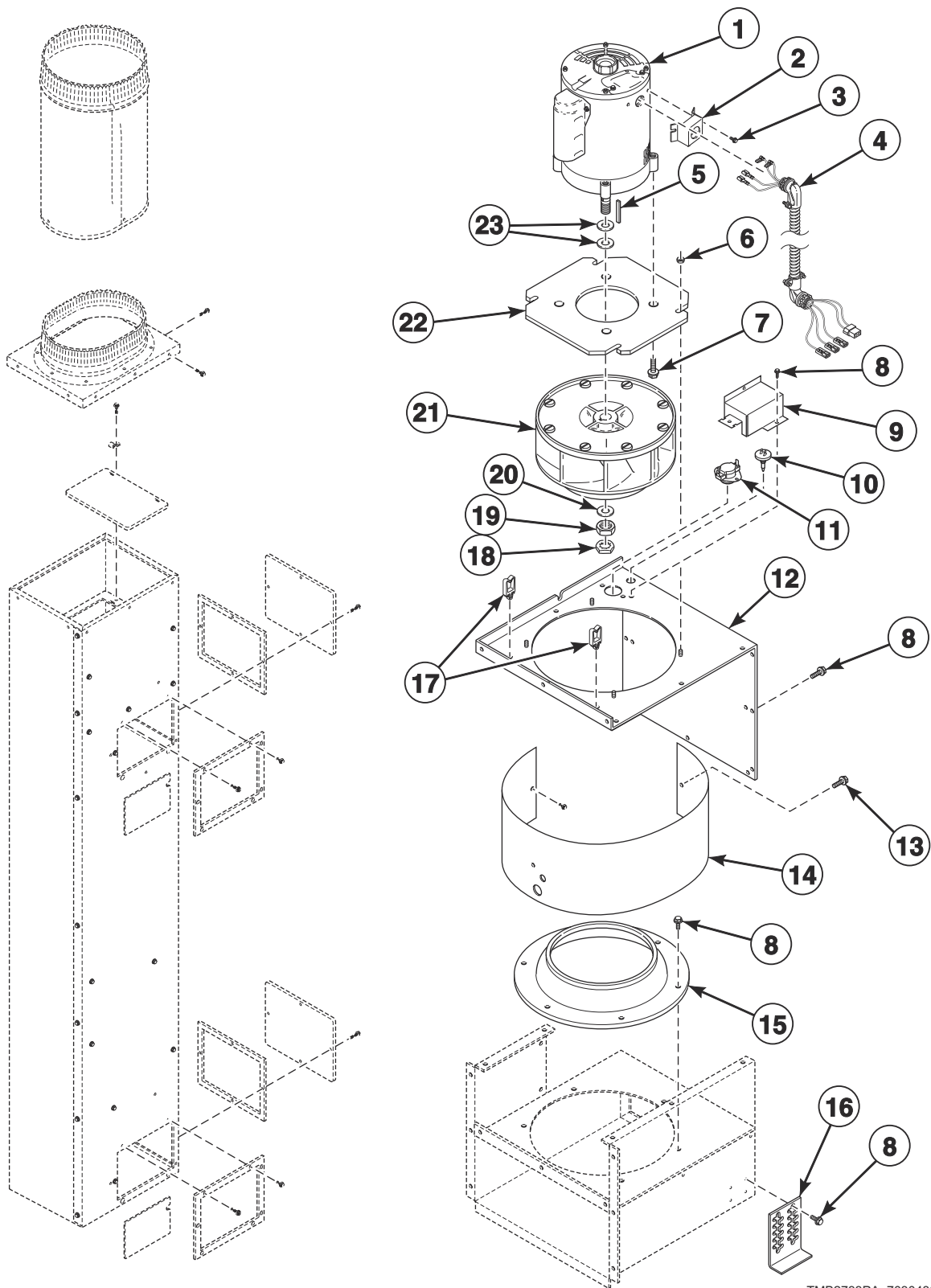


TMB2733P_70304801

Exhaust Components

REF	PART NO.	DESCRIPTION	COMMENTS
	70289101P	Gasket	Sold per foot
1	44154301	Exhaust Pipe	CE models
2	70207501	Duct Cover	Standard models
	70478101	Duct Cover	Eco models
3	430497	Screw	12 required
4	70226701	Clip	
5	70340301	Duct Access Cover	2 required
6	70340401	Exhaust Duct Gaskets Assembly	2 required
7	M411072	Screw	2 required
8	70662602	Exhaust Duct Assembly	CE models; Includes cap, dampers and gaskets; Order blower housing scroll separately
	70662601	Exhaust Duct Assembly	All other models; Includes cap, dampers and gaskets; Order blower housing scroll separately

Blower Components

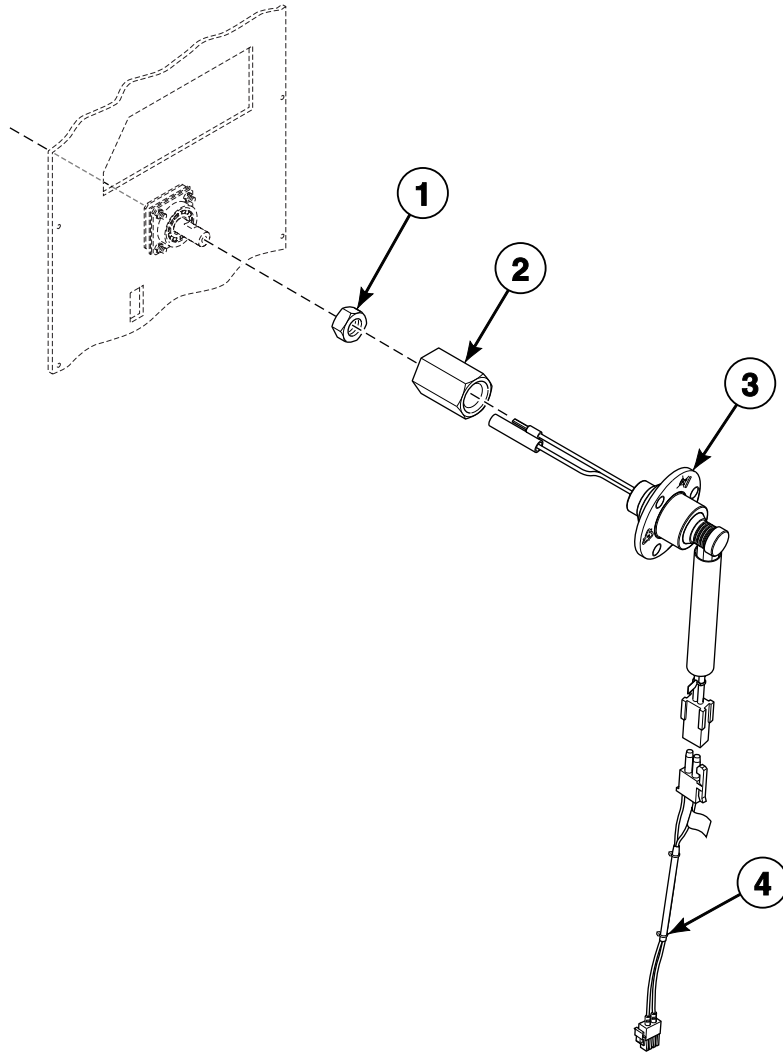


TMB2733PA_70304801

Blower Components

REF	PART NO.	DESCRIPTION	COMMENTS
	70392701P	Gasket	For blower housing opening
1	70337501P	Blower Motor	100-230 Volt/60 Hertz/1 Phase and 100-200 Volt/50 Hertz/1 Phase
	70337601P	Blower Motor Kit	120-240 Volt/60 Hertz/1 Phase; Low Amp; Use 70211501 Motor Capacitor (start)
	70337701P	Blower Motor Kit	230-240 Volt/50 Hertz/1 Phase; Use 70211501 Motor Capacitor (start)
	70342601P	Blower Motor	200-480 Volt/60 Hertz/3 Phase and 200-415 Volt/50 Hertz/3 Phase
2	70321701	Motor Conduit Mounting Bracket	
3	23222	Screw	
4	70440001P	Fan Motor Harness	1 Phase models; 3 Phase electric models with 240 Volt and below
	70317001	Fan Motor Harness	Models through 2/28/10; 3 Phase models except electric models with 240 Volt and below
	70440401	Fan Motor Harness	Models starting 3/1/10; 3 Phase models except electric models with 240 Volt and below
5	70144101	Key	
6	29786	Nut	4 required
7	70126101	Screw	4 required
8	430497	Screw	12 required
9	70346301	Thermistor Cover	
10	M414704	Thermistor	
	B12308601	Temperature Sensor Assembly	Pro HC control replacement; Refer to Parts Information Insert 8-18-251 for list of machine serial numbers
11	M411307	Limit Thermostat	Auto reset
12	70341401	Blower Housing Cover Assembly	
13	51780	Screw	
14	70340801	Blower Housing Scroll	
15	70014101	Blower Inlet Cone	
16	70200301	Rear Stabilizer Bracket	
17	70366201	Wire Clip	2 required
18	M400034	Nut	
19	M400022	Nut	
20	F431131	Washer	
21	70359801P	Blower Assembly	
22	70341001	Blower Motor Mounting Plate	
23	70599301	Fan Spacer	

Moisture Sensing Components

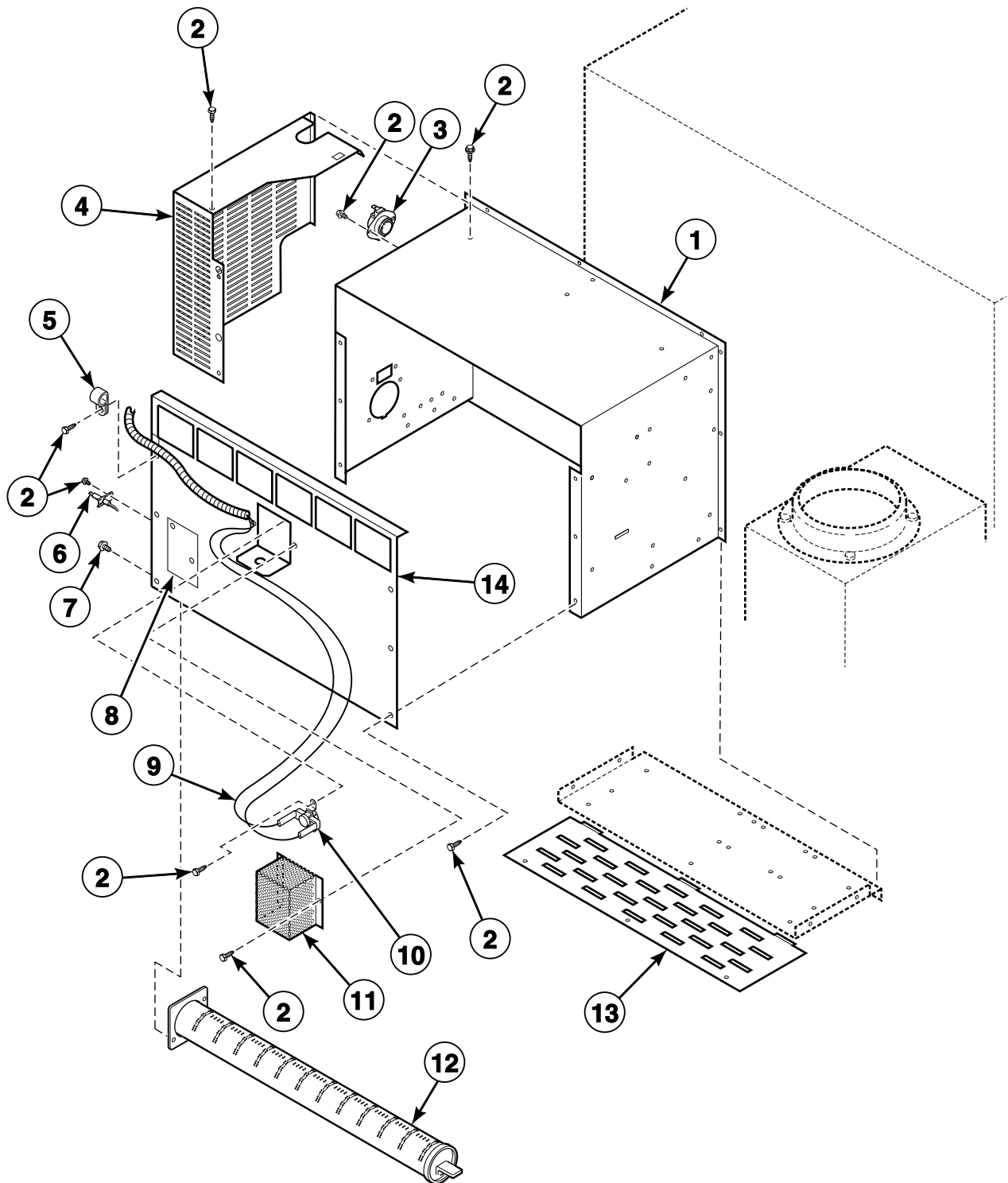


TMB3147P_70304801

Moisture Sensing Components

REF	PART NO.	DESCRIPTION	COMMENTS
	70468901	Moisture Sensor Test Wires	Use to troubleshoot the moisture sensor circuit
1	M400033	Nut	
2	70455401	Slip Ring Holder	
3	44222702	Slip Ring Assembly	
4	70448902	Moisture Sensor Harness Assembly	

Gas Burner Housing and Secondary Stove Limit

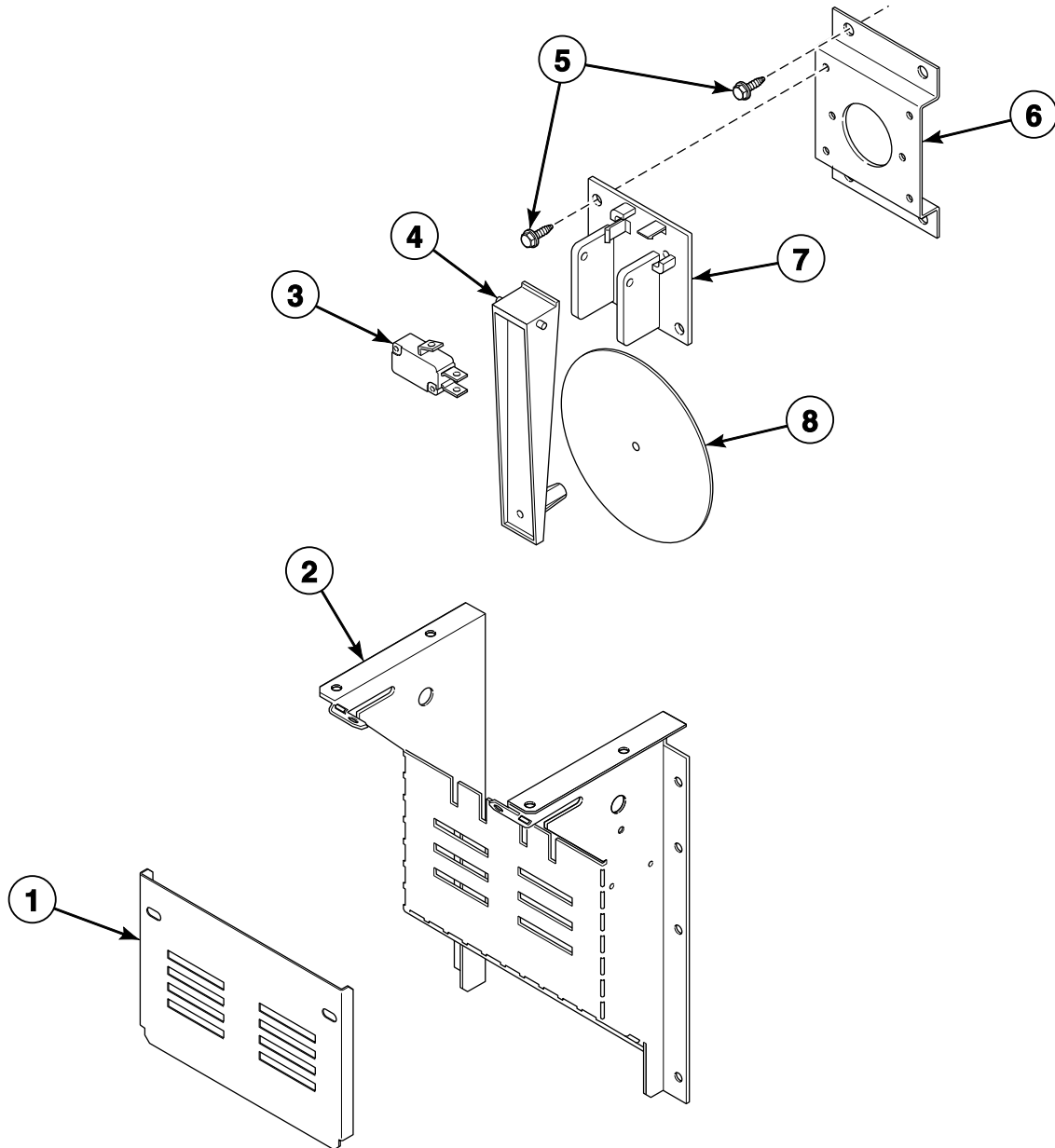


TMB2315P_70304801

Gas Burner Housing and Secondary Stove Limit

REF	PART NO.	DESCRIPTION	COMMENTS
	70316501	Stove Limit Harness	
	M4903P3	Stove Limits Kit	Australian models; Models through Serial No. 0311000078; In addition, order 70299101 Secondary Stove Limit Kit
	70522701P	Direct Air Kit	2 required
1	70333401	Stove Top and Sides	
2	430497	Screw	
3	M409219	Limit Thermostat	Non-CE models
	70397101	Manual Reset Thermostat	Korean models
	70186301	Manual Reset Thermostat	Australian models
4	70233401	Gas Valve Cover	Australian and CE models
5	70203701	Pipe Clip	
6	70032801P	Spark Electrode	Models through 9/16/12
	70548701P	Spark Electrode	Models starting 9/17/12
7	05161	Screw	
8	70159601	Igniter Cover	
9	70316501	Stove Limit Harness	
10	70299001	Limit Thermostat	
11	M414477	Thermostat Cover	
12	70229801P	Gas Burner	
	70546701	Anti-Rattle Burner Assembly	Includes 70229801P Gas Burner, 431318 Control Door Latch and M400003 Pop Rivet
13	70188801	Burner Grill	
14	70371501	Stove Back	

Airflow Switch

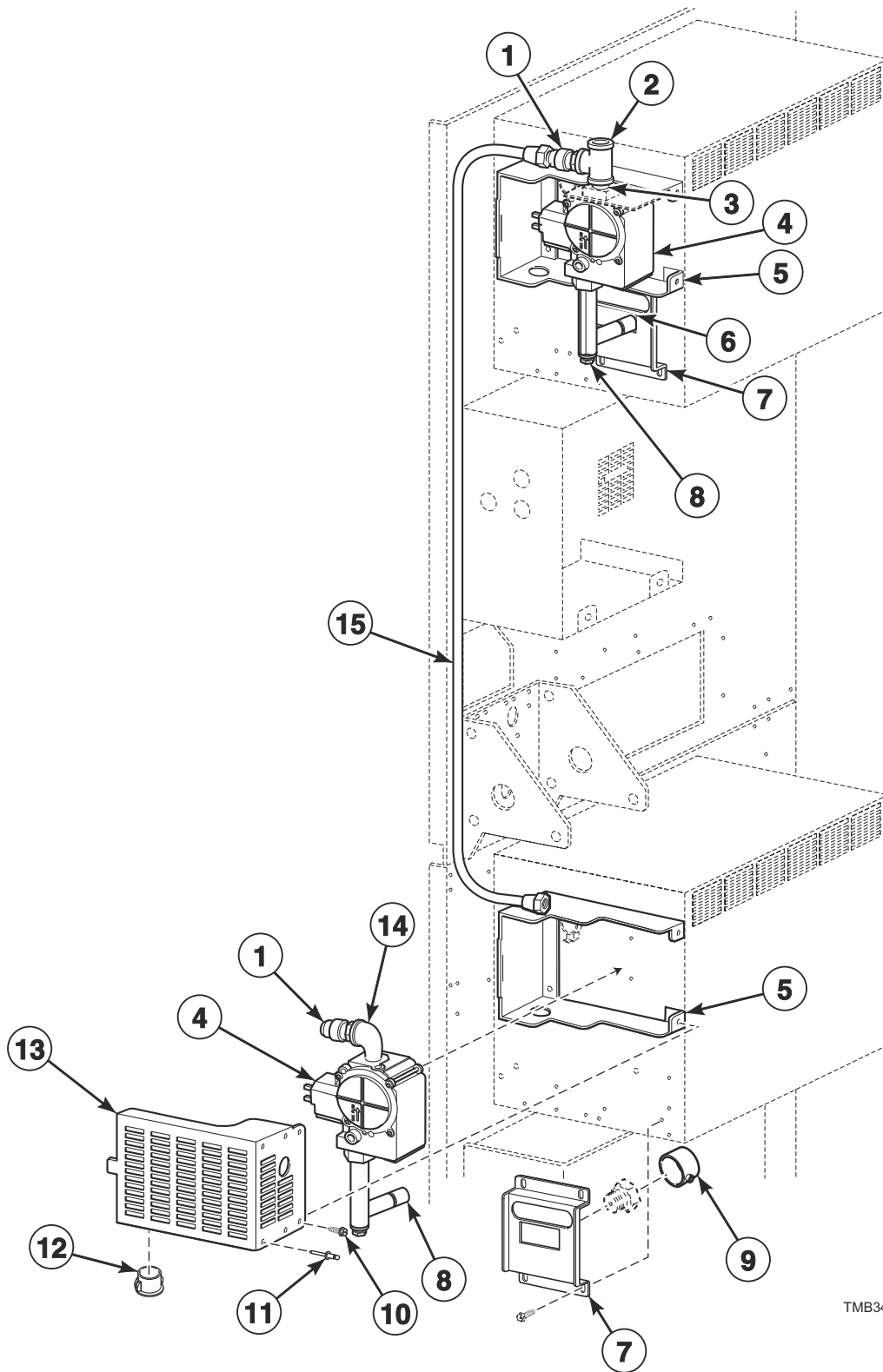


TMB3126P_70304801

Airflow Switch

REF	PART NO.	DESCRIPTION	COMMENTS
1	70356601	Airflow Switch Cover	Non-moisture sensing
	70465701	Airflow Switch Cover	Moisture sensing
2	70356101	Airflow Switch Wrapper	
3	70411901	Switch	
4	70319401	Airflow Switch Arm	
5	430497	Screw	
6	70356301	Switch Bracket	
7	70319602	Airflow Switch and Arm Bracket	
8	70319201	Airflow Switch Vane	

Gas Valve and Piping - All Non-CE and Non-Australian Gas Models and CE and Australian Models Starting 1/1/14

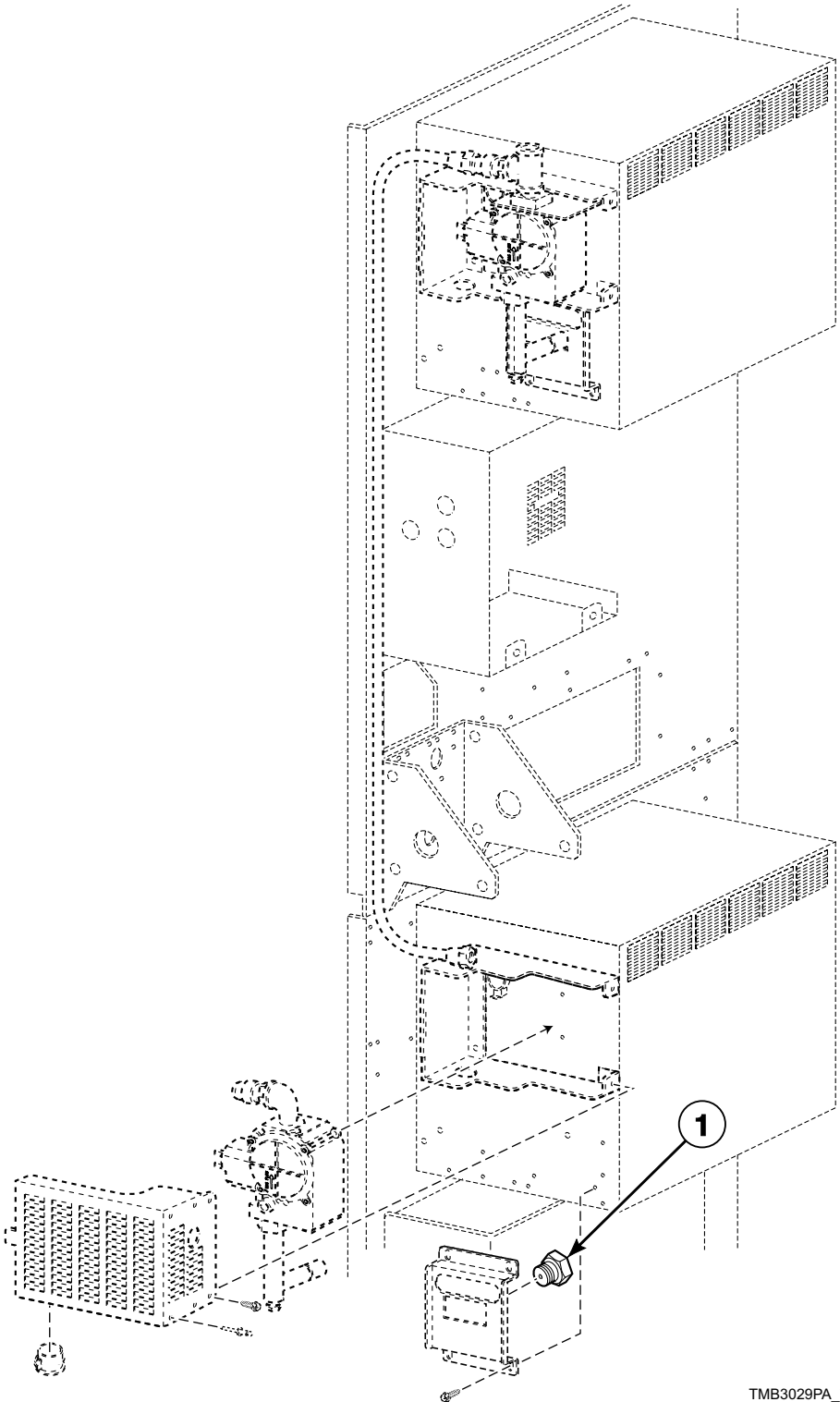


TMB3431P_70304801

Gas Valve and Piping - All Non-CE and Non-Australian Gas Models and CE and Australian Models Starting 1/1/14

REF	PART NO.	DESCRIPTION	COMMENTS
	M4970P3	Replacement Gas Valve Kit	Natural Gas (N.G.); Use to replace old valve before 12/15/09 with new valve
	M4972P3	Replacement Gas Valve Kit	Liquid Petroleum Gas (L.P.); Use to replace old valve before 12/15/09 with new valve
	M4707P3	L.P. Conversion Kit	0-2,000 feet
	M412997	Harness Assembly	
1	70262601	Pipe	
2	70267501	Pipe Tee	Models through 1/31/10
	70071801	Tee	Models starting 2/1/10
3	431486	Pipe Nipple	
4	44154501P	Gas Valve	N.G.; Models through 12/31/13
	44154502P	Gas Valve	L.P.; Models through 12/31/13
	44154503	N.G. Valve	Models starting 1/1/14
	44154504	L.P. Valve	Models starting 1/1/14
5	70328201	Forward Valve Cover	
6	70249001	Orifice Keeper Bracket	
7	70248901	Orifice Holder Bracket	
8	70552801P	Orifice Adapter	
9	70239801	Primary Air Adjustment Sleeve	
10	430497	Screw	
11	70058501	Pop Rivet	3/16 inch
12	M400770	Snap Bushing	
13	70282401	Rear Valve Cover	
14	H86070034	Street Elbow	
15	70281601	Tube	

Burner Orifices - Non-CE and Non-Australian Gas Models



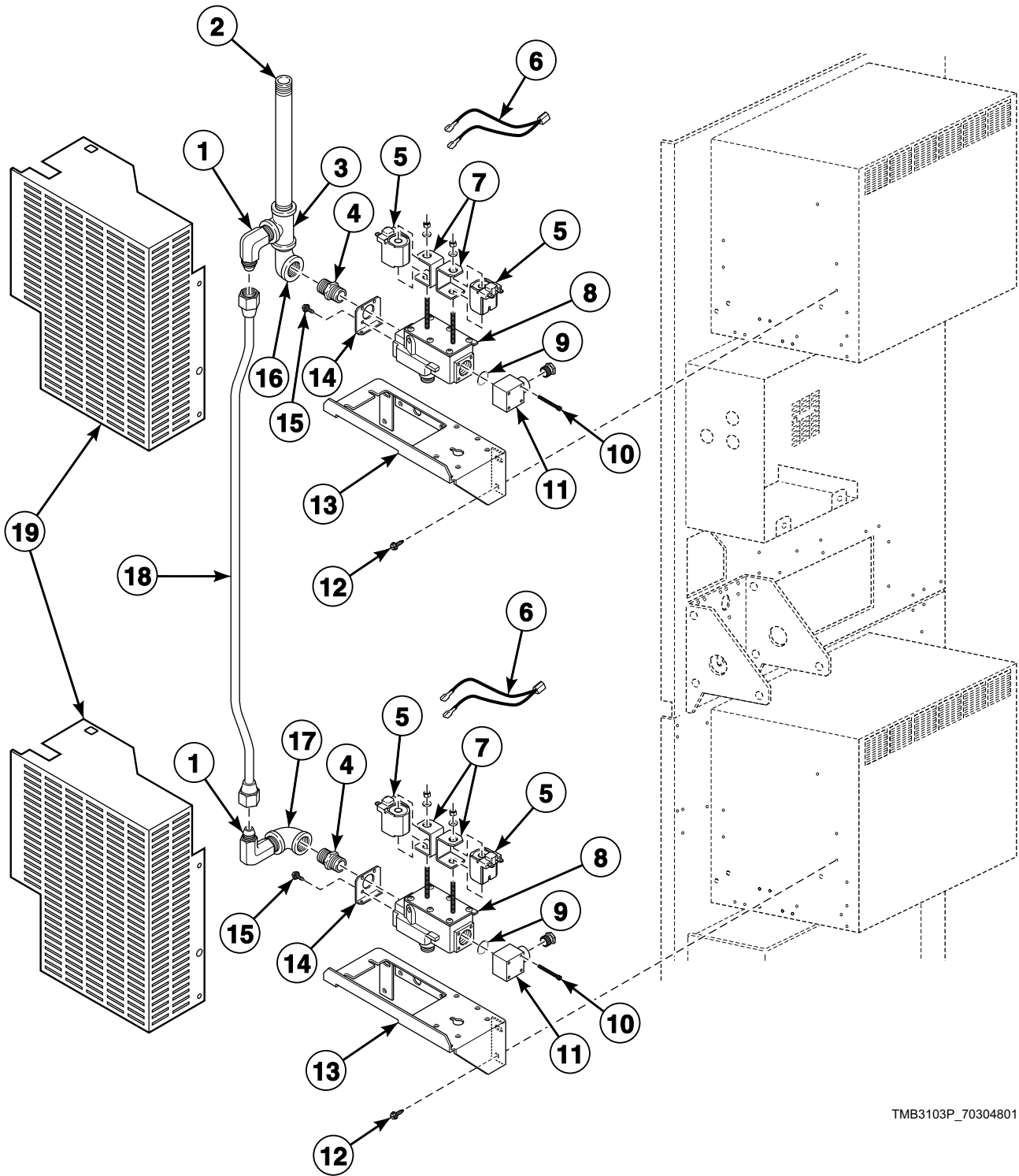
TMB3029PA_70304801

Burner Orifices - Non-CE and Non-Australian Gas Models

REF	PART NO.	DESCRIPTION	COMMENTS
1	70684116	Burner Orifice	Standard models; Liquid Petroleum Gas (L.P.); Drill no. 40 (2.5 mm); 0-2,000 feet; *
	70684114	Burner Orifice	Standard models; L.P.; Drill no. 42 (2.4 mm); 2,001-6,000 feet; *
	70684112	Burner Orifice	Standard models; L.P.; Drill no. 43 (2.3 mm); 6,001-8,000 feet; *
	70684110	Burner Orifice	Standard models; L.P.; Drill no. 44 (2.2 mm); 8,001-10,000 feet; *
	70684142	Burner Orifice	Standard models; Natural Gas (N.G.); Drill no. 20 (4.1 mm); 0-2,000 feet; *
	70684140	Burner Orifice	Standard models; N.G.; Drill no. 22 (4.0 mm); 2,001-4,000 feet; *
	70684138	Burner Orifice	Standard models; N.G.; Drill no. 24 (3.9 mm); 4,001-6,000 feet; *Standard
	70684136	Burner Orifice	Standard models; N.G.; Drill no. 26 (3.7 mm); 6,001-8,000 feet; *
	70684134	Burner Orifice	Standard models; N.G.; Drill no. 28 (3.6 mm); 8,001-10,000 feet; *
	70684131	Burner Orifice	Eco models; 50 Hertz; N.G.; 3.4 mm; 0-2,000 feet; *
	70684128	Burner Orifice	Eco models; 50 Hertz; N.G.; Drill no. 1/8 (3.2 mm); 2,001-4,000 feet; *
	70684127	Burner Orifice	Eco models; 50 Hertz; N.G.; 3.1 mm; 4,001-6,000 feet; *
	70684126	Burner Orifice	Eco models; 50 Hertz; N.G.; Drill no. 31 (3.0 mm); 6,001-8,000 feet; *
	70684124	Burner Orifice	Eco models; 50 Hertz; N.G.; Drill no. 33 (2.9 mm); 8,001-10,000 feet; *
	70684132	Burner Orifice	Eco models; 60 Hertz; N.G.; Drill no. 29; 0-2,000 feet; *
	70684130	Burner Orifice	Eco models; 60 Hertz; N.G.; 3.3 mm; 2,001-4,000 feet; *
	70684128	Burner Orifice	Eco models; 60 Hertz; N.G.; Drill no. 1/8 (3.2 mm); 4,001-6,000 feet; *
	70684127	Burner Orifice	Eco models; 60 Hertz; N.G.; 3.1 mm; 6,001-8,000 feet; *
	70684125	Burner Orifice	Eco models; 60 Hertz; N.G.; Drill no. 32 (2.9 mm); 8,001-10,000 feet; *

* NOTE: One orifice required per pocket

Gas Valve and Piping - CE and Australian Gas Models Through 12/31/13



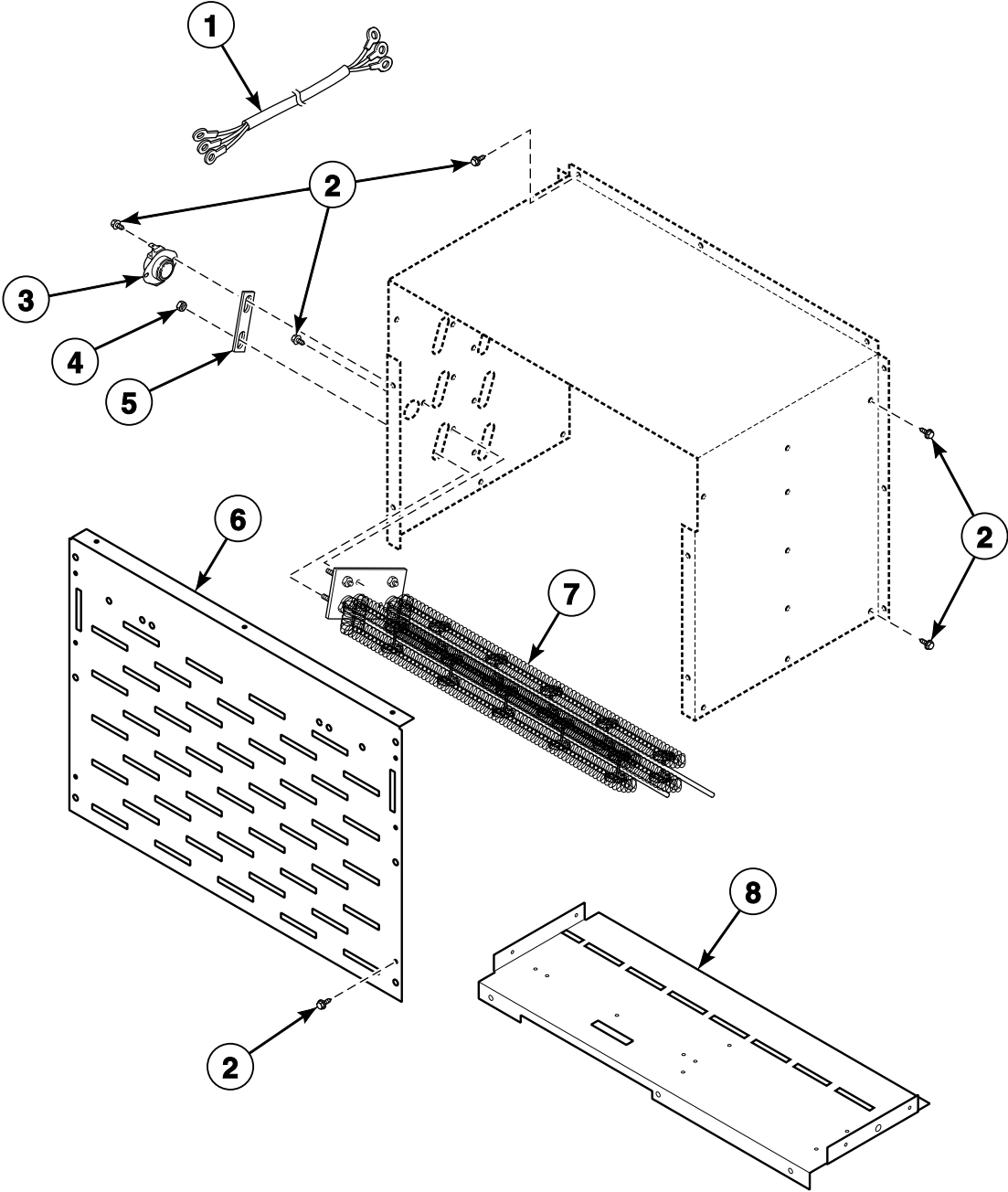
TMB3103P_70304801

Gas Valve and Piping - CE and Australian Gas Models Through 12/31/13

REF	PART NO.	DESCRIPTION	COMMENTS
	M4707P3	L.P. Conversion Kit	0-2,000 feet; Australian models
	M405434P	L.P. Valve Conversion Kit	Unregulated; Must also order orifice, refer to Installation Manual; Use with 44154503 N.G. Valve
	M4746P3	Valve Bracket and Cover Kit	Includes items 13 and 19
	M413650	Gas Valve Harness Assembly	Australian models; Use with item 8
	70184001	Gas Valve Harness	CE models; Use with item 8
	70239801	Primary Air Adjustment Sleeve	
	44257501	Gas Valve Coil Kit	Use to replace gas valve coils on 70457301P and 70457302P Valves
1	70208701	Elbow	
2	70210201	Pipe Nipple	
3	70071801	Tee	
4	70131901	Adapter	
5	70260101	Gas Valve Coil	24 Volt
6	M413650	Gas Valve Harness Assembly	
7	70260601	Valve Coil Bracket	
8	70457301P	N.G. Valve	
	70457302P	L.P. Valve	
9	431482	O-Ring	
10	431484	Screw	
11	70223501	Spud Adapter	
12	430497	Screw	
13	70233301	Gas Valve Bracket	
14	70457701	Valve Support Bracket	
15	23222	Screw	8 required
16	H86070034	Street Elbow	
17	70079601	Elbow	
18	70281603	Tube	
19	70233401	Gas Valve Cover	

NOTE: For CE gas and orifice information, refer to installation manual.

Electric Heater Components

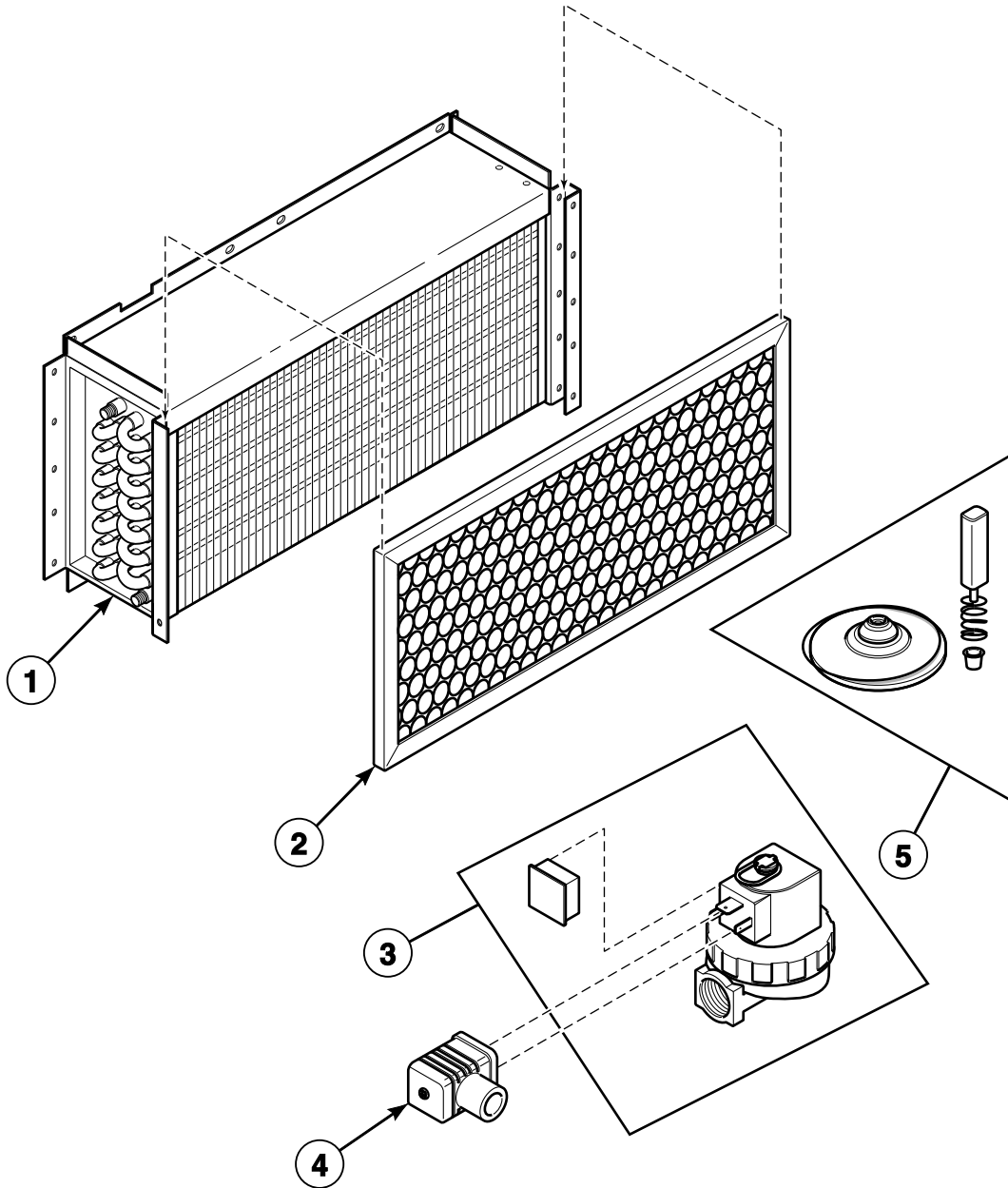


TMB3151P_70304801

Electric Heater Components

REF	PART NO.	DESCRIPTION	COMMENTS
	70522801P	Direct Air Kit	2 required
1	70167901	Heater Cable Set Assembly	H1-H3
	70168001	Heater Cable Set Assembly	H4-H6; Models with 240 Volt and below
2	430497	Screw	
3	M409433	Limit Thermostat	
4	Q6163	Nut	
5	M400869	Jumper Strip	
6	70214901	Stove Grill	
7	70034401P	Heater Element	Standard Non-CE and non-Australian models; 3 required; 7 kW; 208 Volt heater element for 200-208 Volt/1 or 3 Phase
	70034402P	Heater Element	Standard models; 3 required; 7 kW; 220 Volt heater element for 380 and 440 Volt/3 Phase
	70034403P	Heater Element	Standard models; 3 required; 7 kW; 240 Volt heater element for 230-240 Volt/1 or 3 Phase and 400-415 and 460-480 Volt/3 Phase
	70034415P	Heater Element	Eco models; 3 required; 4 kW; 208 Volt heater element for 200-208 Volt/1 or 3 Phase
	70034414P	Heater Element	Eco models; 3 required; 4 kW; 220 Volt heater element for 380 and 440 Volt/3 Phase
	70034416P	Heater Element	Eco models; 3 required; 4 kW; 240 Volt heater element for 230-240 Volt/1 or 3 Phase and 400-415 and 460-480 Volt/3 Phase
8	70333501	Lower Stove Cover	

Steam Heater Components

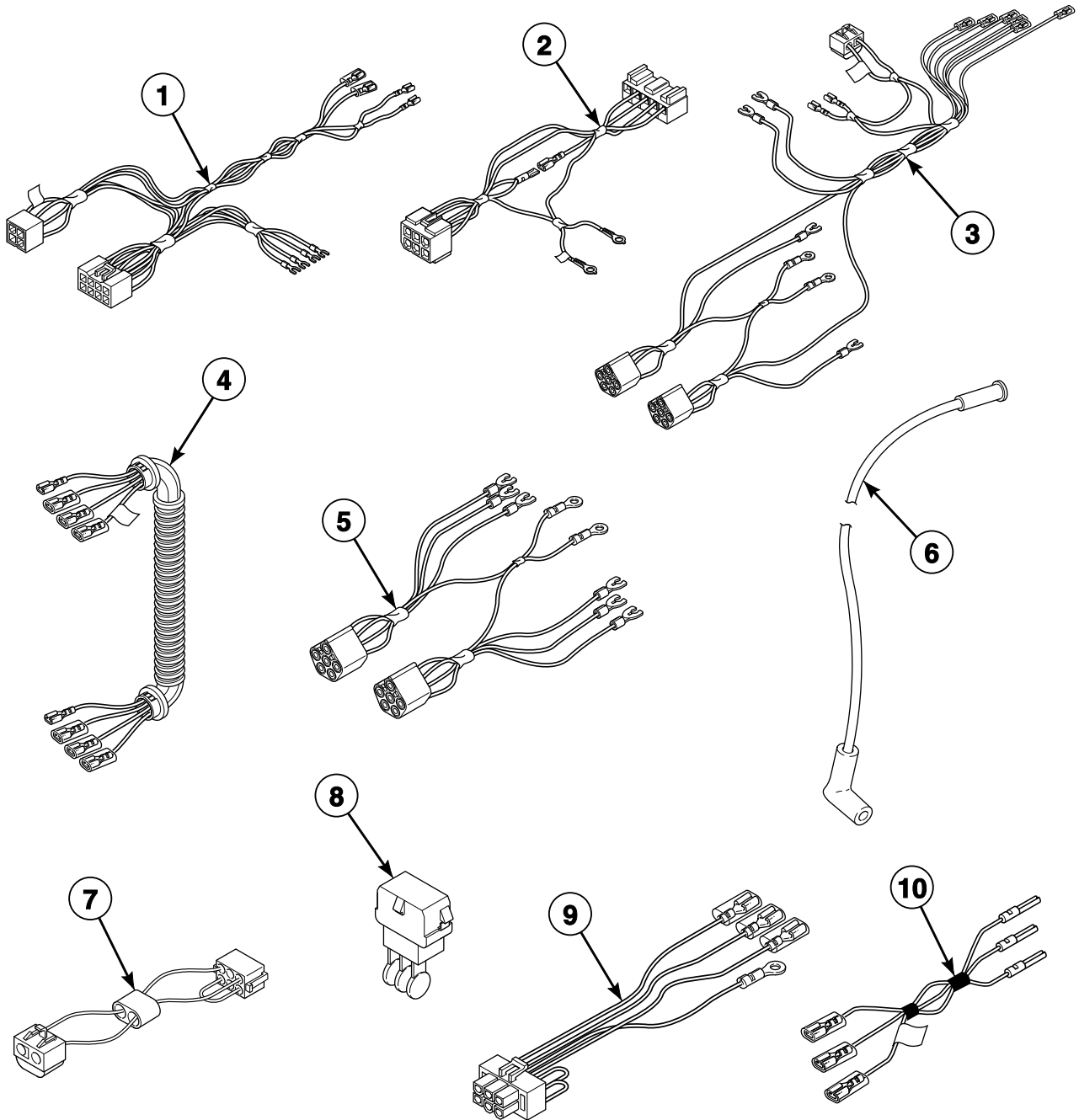


TMB3138P_70304801

Steam Heater Components

REF	PART NO.	DESCRIPTION	COMMENTS
	M412997	Harness Assembly	
	F8382301	DIN Valve Adapter Kit	Use with F8322902 Steam Valve
	F8514801	Valve Coil	Use with F8322902 Steam Valve
1	70369101P	Steam Coil	4 coil
2	70429401	Filter	CE models
	70036001	Air Filter	All other models
3	F8521701	Valve Kit	Parker valve replacement kit; To replace 70351001 Steam Valve
	F8322902	Steam Valve	Asco
	70205701P	Steam Valve Coil	60 Hertz
	M412258	Steam Valve Coil	50 Hertz
4	70370301P	Solenoid Valve DIN Connector	
5	70351021P	Steam Valve Rebuild Kit	Parker; Use to rebuild 70351001P Steam Valve
	F8379502	Valve Rebuild Kit	Asco; Use to rebuild F8322902 Steam Valve

Control Tray Harness - Gas Models

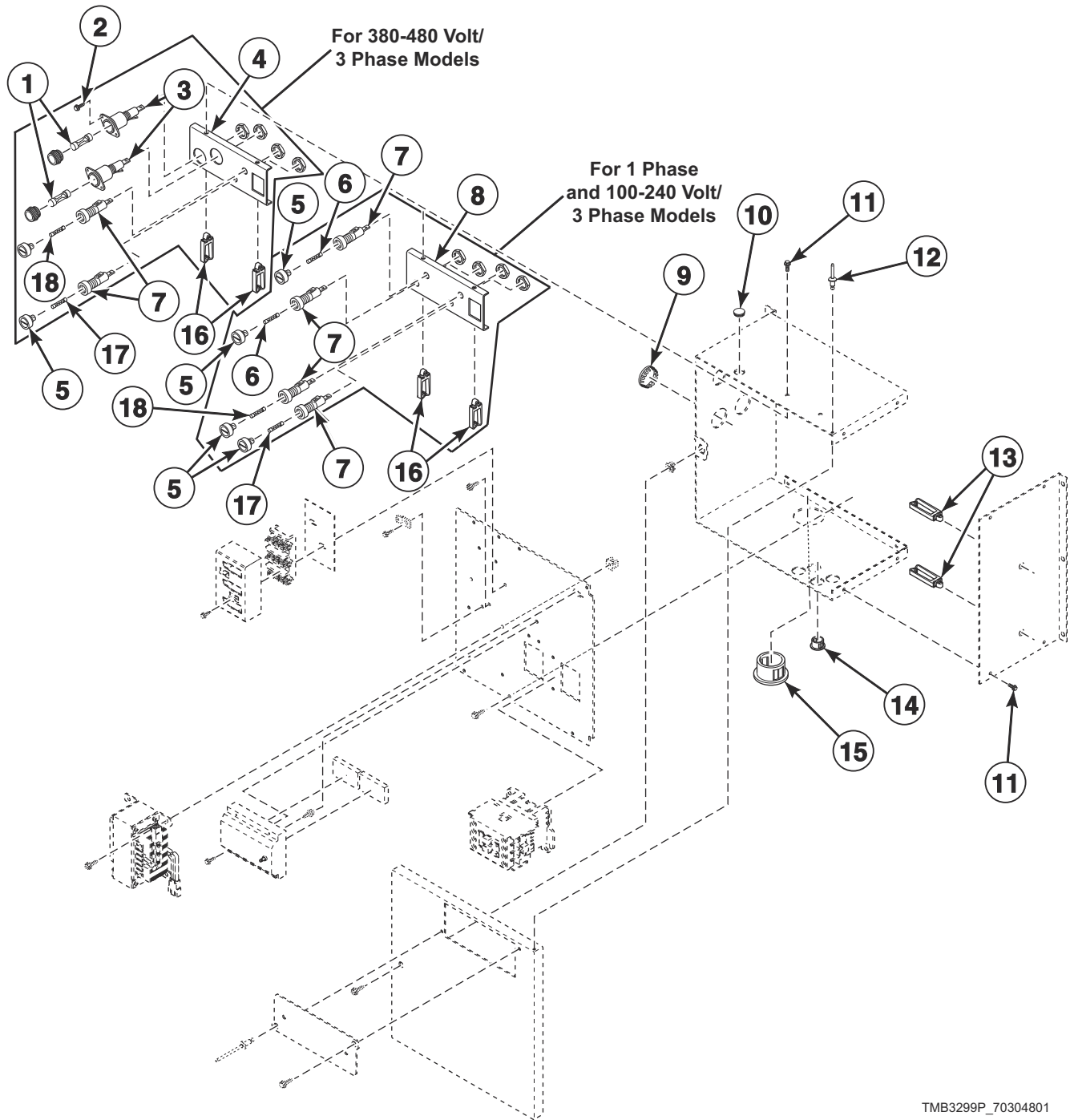


TMB3102P_70304801

Control Tray Harness - Gas Models

REF	PART NO.	DESCRIPTION	COMMENTS
1	70315801	Junction Box Harness	Dual secondary
2	44186701	Ignition Control Harness	Non-CE models
	44186901	Ignition Control Harness	CE and Australian models; Models with EO, RE, RU and UO control suffixes
	44136601P	Ignition Control Harness	CE and Australian models; Models with all other control suffixes
3	70347701P	Power Harness	Models through 2/28/10; Contactor; 1 Phase
	70316101P	Power Harness	Non-CE models; Models through 2/28/10; 3 Phase models with less than 380 Volts
	70332201	Power Harness	Models through 2/28/10; 3 Phase models with 380 Volts or more
	70445501	Power Harness	Models starting 3/1/10; Contactor; 1 Phase
	70439001	Power Harness	Non-CE models; Models starting 3/1/10; 3 Phase models with less than 380 Volts
	70438901	Power Harness	Models starting 3/1/10; 3 Phase models with 380 Volts or more
4	70316201	Power Harness	Models through 2/28/10; Upper pocket to lower pocket
	70439501	Power Harness	Models starting 3/1/10; Upper pocket to lower pocket
5	70320201	Motor Contactor Harness	Models through 2/28/10; 3 Phase
	44142601P	Motor Contactor Harness	Models starting 3/1/10; 3 Phase
6	70323601	High Voltage Lead	Models through 9/16/12; Use with 70367301P or 70367401P Ignition Control
	44239701	High Voltage Suppression Cable	Models starting 9/17/12; Use with 70458601, 70458701 or 70483201 Ignition Control
7	M413505	Jumper Harness Assembly	Non-CE models; 208 Volt/60 Hertz/1 Phase and 240 Volt/60 Hertz/1 Phase
	M413507	Jumper Configuration Assembly	CE models; Non-CE models with 230-240 Volt/50 Hertz/1 Phase, 200-208, 240 Volt/60 Hertz/3 Phase and 230-240 Volt/50 Hertz/3 Phase models with less than 380 Volts
	M413506	Jumper Harness Assembly	Non-CE models; 100, 200, 220 Volt/60 Hertz/1 Phase, 100, 200 Volt/50 Hertz/1 Phase and 200 Volt/50 Hertz/3 Phase models with less than 380 Volts
	M413508	Jumper Harness Assembly	Non-CE models with 380, 400-415 Volt/50 Hertz/3 Phase models with 380 Volts or more; CE 3 Phase models with 380 Volts or more
	M413510	Jumper Configuration Assembly	Non-CE models; 460-480 Volt/60 Hertz/3 Phase models with 380 Volts or more
8	M413863	Network Capacitor Assembly	3L, 3O, 3V and 3X control suffixes
9	M413878	Network Capacitor Harness Assembly	Models through 7/8/12; 3L, 3O, 3V and 3X control suffixes
	44143401P	Network Capacitor Harness Assembly	Models starting 7/9/12; Also order 00177 Male Tab Terminal; 3L, 3O, 3V and 3X control suffixes
10	70342101	Gas Disconnect Harness	CE models; Models through 2/28/10; Upper pocket
	70440501	Gas Disconnect Harness	CE models; Models starting 3/1/10; Upper pocket

Control Tray Components - Non-CE and Non-Australian Gas Models (Drawing 1 of 2)

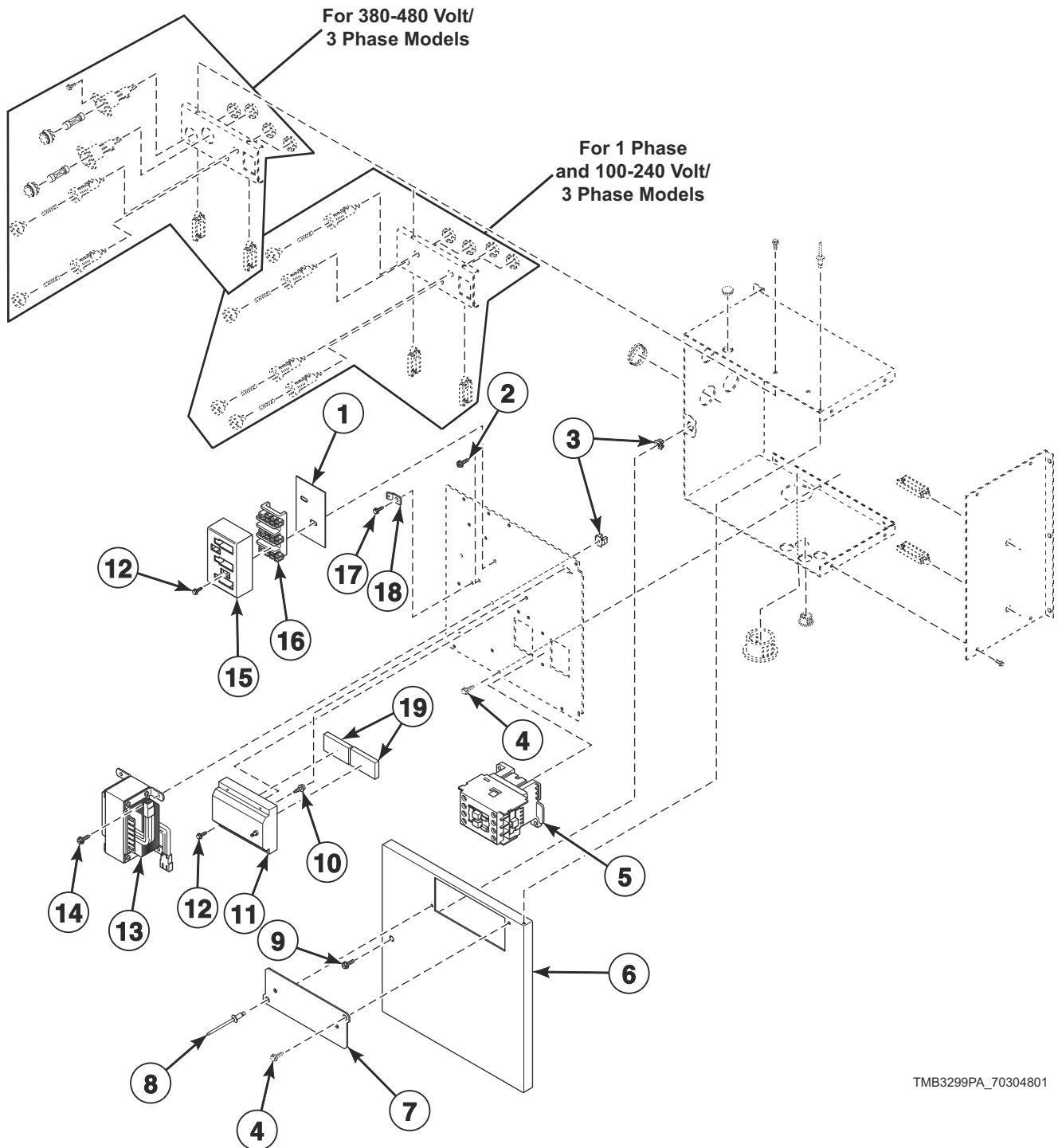


TMB3299P_70304801

Control Tray Components - Non-CE and Non-Australian Gas Models (Drawing 1 of 2)

REF	PART NO.	DESCRIPTION	COMMENTS
1	44310001	Fuse	2 required; 3 Phase models with 380 Volts or more
2	D501086	Screw	4 required; 3 Phase models with 380 Volts or more
3	M413544P	Fuse Holder	2 required; 3 Phase models with 380 Volts or more; Models through 2/28/10
	44155601P	Fuse Holder	2 required; 3 Phase models with 380 Volts or more; Models starting 3/1/10
4	70313601	Fuse Bracket	3 Phase models with 380 Volts or more; Models through 2/28/10
	70313602	Fuse Bracket	3 Phase models with 380 Volts or more; Models starting 3/1/10
5	70329501	Fuse Holder Cap	3 required 1 Phase models; 4 required 3 Phase models with less than 380 Volts; 2 required 3 Phase models with 380 Volts or more
6	70406701	Fuse	1 required for 1 Phase; 2 required for 3 Phase models with less than 380 Volts; 2 Amp
7	70329401P	Fuse Holder Body	3 required 1 Phase models; 4 required 3 Phase models with less than 380 Volts; 2 required 3 Phase models with 380 Volts or more
8	70306901	Fuse Bracket	1 Phase and 3 Phase models with less than 380 Volts
9	M400985	Plug	2 required
10	M406124	Bushing	
11	51780	Screw	11 required
12	70058502	Pop Rivet	2 required
13	70366201	Wire Clip	3 required
14	70178701	Snap Bushing	Models with 3L, BL,KL, LL or WL control suffixes
15	M402542	Snap Bushing	
16	70347601	Wire Clip	2 required
17	70406601	Fuse	3.5 Amp
18	70406501	Fuse	1.25 Amp

Control Tray Components - Non-CE and Non-Australian Gas Models (Drawing 2 of 2)

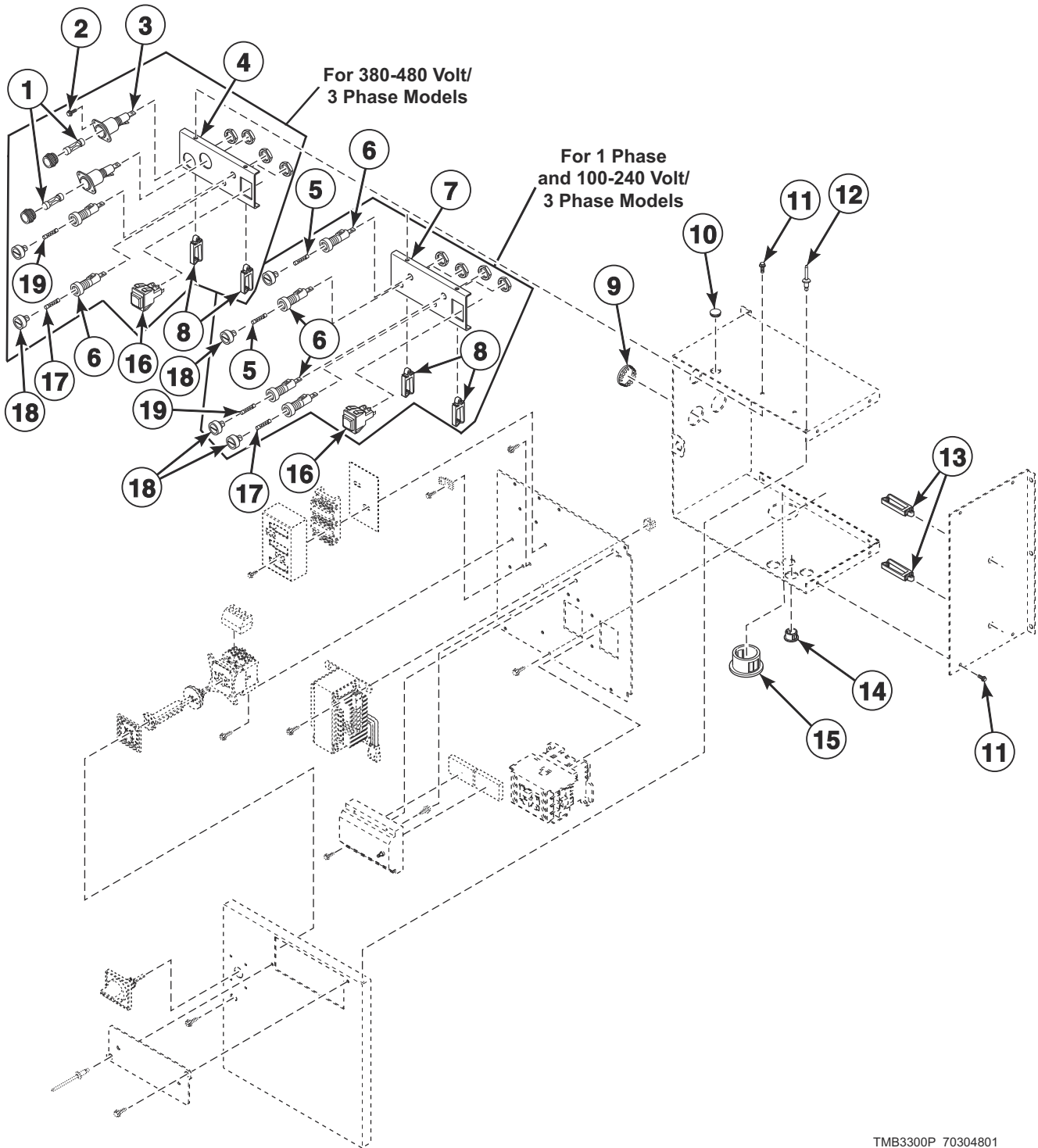


TMB3299PA_70304801

Control Tray Components - Non-CE and Non-Australian Gas Models (Drawing 2 of 2)

REF	PART NO.	DESCRIPTION	COMMENTS
1	M413862	Insulator	
2	M402917	Screw	
3	70030501	Expansion Clip	5 required
4	51780	Screw	11 required
5	70323701P	Contactator	24 Volt
6	70313401	Contactator Box Cover	
7	70313301	Fuse Cover	
8	70058501	Pop Rivet	
9	33562	Screw	
10	38272	Screw	
11	70492501	Ignition Control Kit	Models through 9/16/12; Use with 44239701 High Voltage Suppression Cable
	70458601P	Ignition Control	Models starting 9/17/12; Use with 44239701 High Voltage Suppression Cable
12	51783	Screw	2 required
13	M414228P	Transformer	Multitap; 100, 200, 220 Volt/60 Hertz/1 Phase, 100, 200 Volt/50 Hertz/1 Phase and 230-240 Volt/50 Hertz/1 Phase models with 3L, 3O, 3V, 3X, LC, LL, LX, LY, NC, NJ, NR, NX, NY, WC, WL, WX, WY, ZC, ZR, ZX and ZY control suffixes; 3 Phase models with less than 380 Volts
	M414230P	Transformer	208-240 Volt/60 Hertz/1 Phase models with QT and SD control suffixes; 120, 208-240 Volt/60 Hertz/1 Phase models QT and SD control suffixes
	M414312P	Transformer	208-240 Volt/60 Hertz/1 Phase 3L, 3O, 3V, 3X, BC, BG, BL, BX, BY, KC, KL, KX, KY, LC, LL, LX, LY, NC, NJ, NR, NX, NY, WC, WL, WX, WY, ZC, ZR, ZX and ZY control suffixes
	M414229P	Transformer	Multitap; 3 Phase models with 380 Volts or more
14	M411072	Screw	4 required
15	70333001	Terminal Block Shield	
16	430642	Terminal Block	
17	430497	Screw	
18	00177	Male Tab Terminal	Ground
19	56128	Bumper Pad	2 required

Control Tray Components - CE and Australian Gas Models (Drawing 1 of 2)

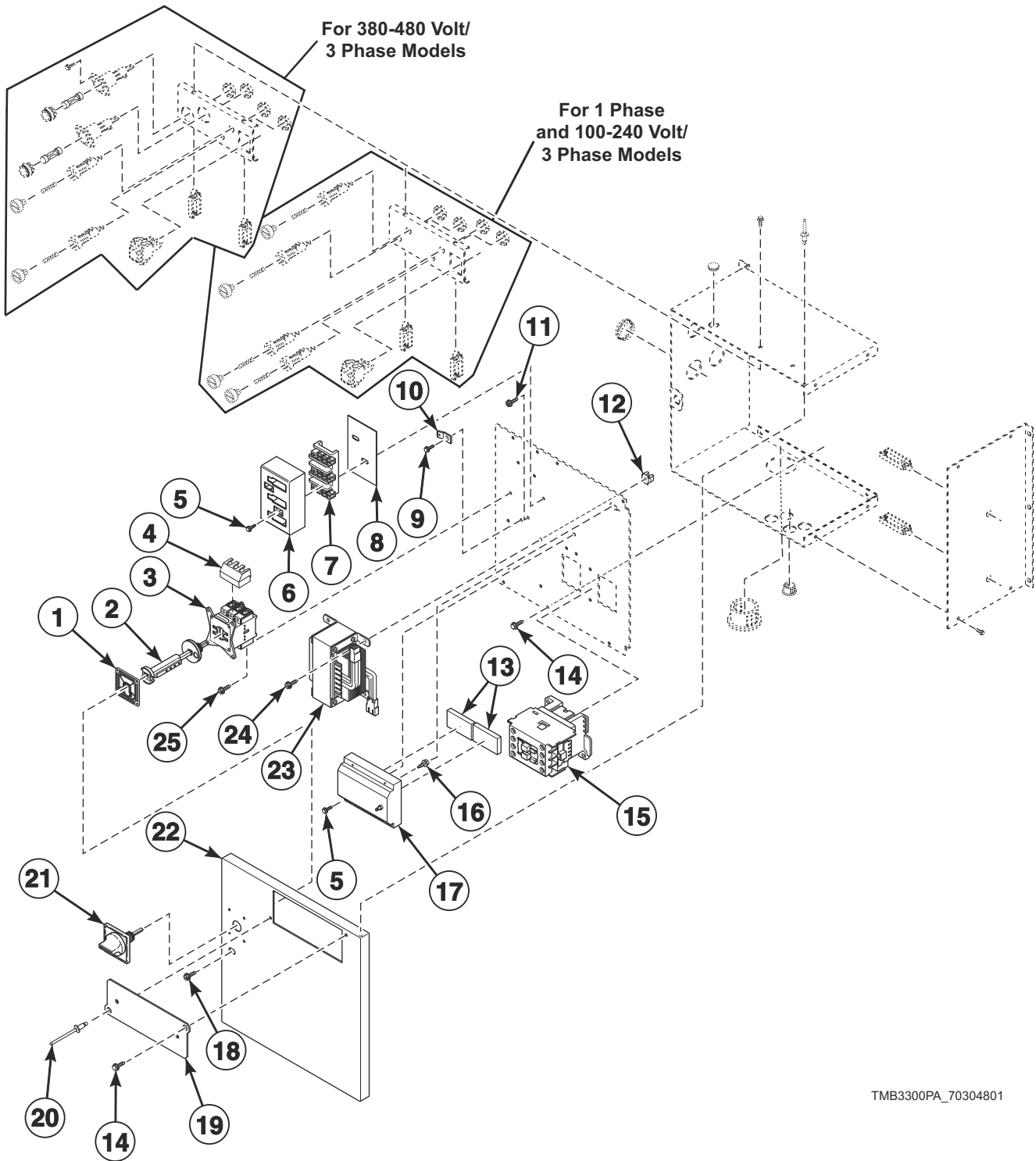


TMB3300P_70304801

Control Tray Components - CE and Australian Gas Models (Drawing 1 of 2)

REF	PART NO.	DESCRIPTION	COMMENTS
1	44310001	Fuse	2 required for 3 Phase models with 380 Volts or more
2	D501086	Screw	3 Phase models with 380 Volts or more
3	M413544P	Fuse Holder	2 required for 3 Phase models with 380 Volts or more; Models through 2/28/10
	44155601P	Fuse Holder	2 required for 3 Phase models with 380 Volts or more; Models starting 3/1/10
4	70313601	Fuse Bracket	3 Phase models with 380 Volts or more; Models through 2/28/10
	70313602	Fuse Bracket	3 Phase models with 380 Volts or more; Models starting 3/1/10
5	70406701	Fuse	1 required 1 Phase models; 2 required 3 Phase models with less than 380 Volts; 2 Amp
6	70329401P	Fuse Holder Body	3 required 1 Phase models; 4 required 3 Phase models with less than 380 Volts; 2 required 3 Phase models with 380 Volts or more
7	70306901	Fuse Bracket	1 Phase and 3 Phase models with less than 380 Volts
8	70347601	Wire Clip	2 required
9	M400985	Plug	2 required
10	M406124	Bushing	
11	51780	Screw	11 required
12	70058502	Pop Rivet	2 required
13	70366201	Wire Clip	3 required
14	70178701	Snap Bushing	Models with 3L, BL, KL, LL and WL control suffixes
15	M402542	Snap Bushing	
16	M413431	Pushbutton Switch	
17	70406601	Fuse	3.5 Amp
18	70329501	Fuse Holder Cap	3 required 1 Phase models; 4 required 3 Phase models with less than 380 Volts; 2 required 3 Phase models with 380 Volts or more
19	70406501	Fuse	1.25 Amp

Control Tray Components - CE and Australian Gas Models (Drawing 2 of 2)

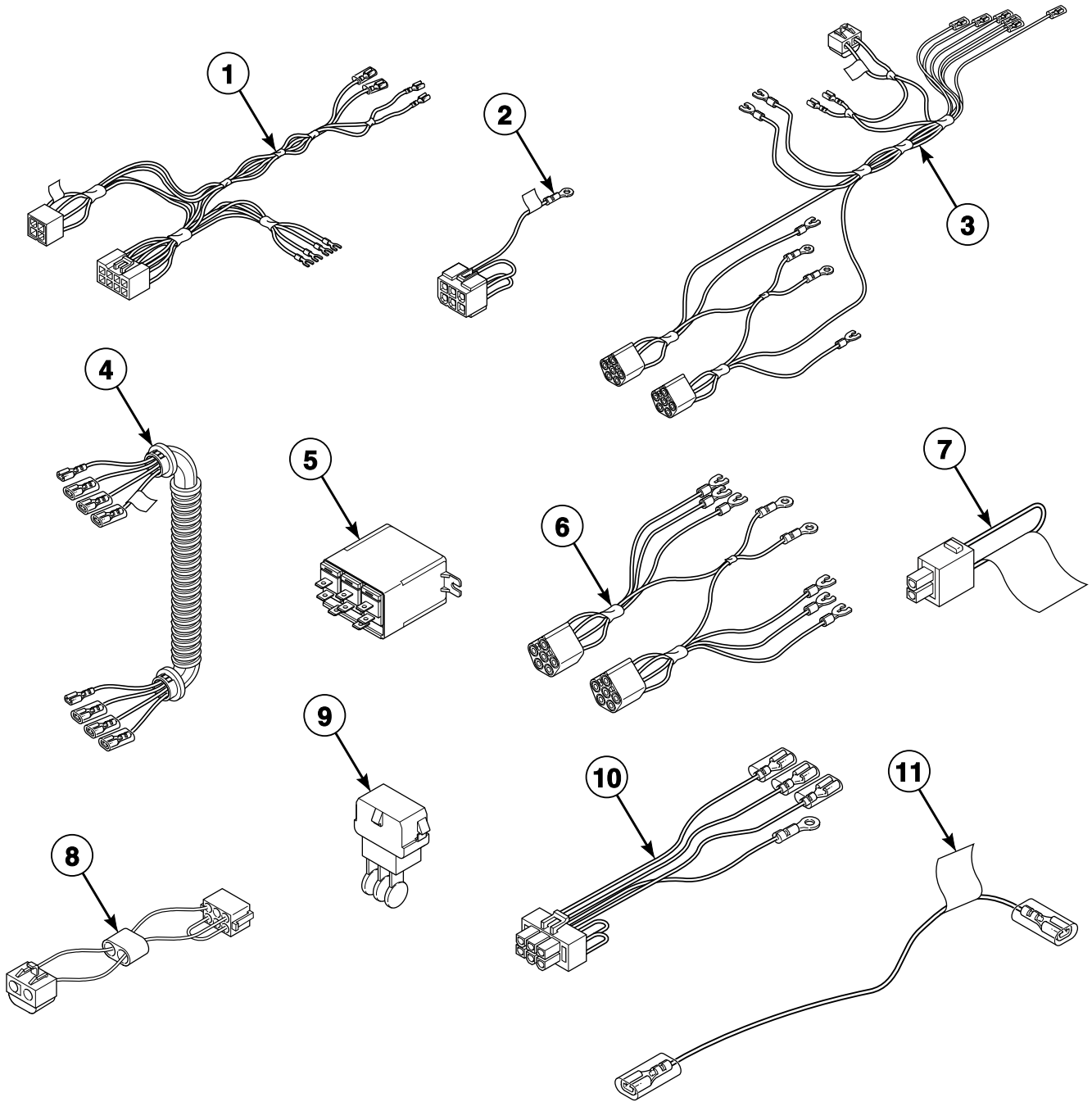


TMB3300PA_70304801

Control Tray Components - CE and Australian Gas Models (Drawing 2 of 2)

REF	PART NO.	DESCRIPTION	COMMENTS
	70411001	ICM Reset Label	Ignition control
1	M412368	Door Interlock	Upper pocket; Models through 7/31/11
2	70342501P	Extension Handle	Upper pocket; Models through 7/31/11
3	M412187P	Mounting Switch Base	Upper pocket; Models through 7/31/11
4	M412366	Finger Guard	Upper pocket; Models through 7/31/11
5	51783	Screw	2 required
6	70333001	Terminal Block Shield	
7	430642	Terminal Block	
8	M413862	Insulator	
9	430497	Screw	
10	00177	Male Tab Terminal	Ground
11	M402917	Screw	
12	70030501	Expansion Clip	
13	56128	Bumper Pad	2 required
14	51780	Screw	11 required
15	70323701P	Contactactor	
16	38272	Screw	
17	70492601	Ignition Control Kit	CE models through 1/16/13; Australian models through 1/16/13 and starting again 4/1/13 through 7/31/13; Use with 44239701 High Voltage Suppression Cable
	70483201P	Ignition Control	CE models starting 1/17/13; Australian models starting 1/17/13 through 3/31/13 and starting again 8/1/13; Use with 44239701 High Voltage Suppression Cable
18	33562	Screw	Lower pocket
19	70313301	Fuse Cover	
20	70058501	Pop Rivet	
21	M412208	Handle	Upper pocket; Models through 7/31/11
22	70313402	Contactactor Box Cover	
23	M414228P	Transformer	Multitap; 1 Phase and 3 Phase models with less than 380 Volts
	M414229P	Transformer	Multitap; 3 Phase models with 380 Volts or more
24	M411072	Screw	4 required
25	51782	Screw	2 required; Upper pocket

Control Tray Harnesses - Steam Models

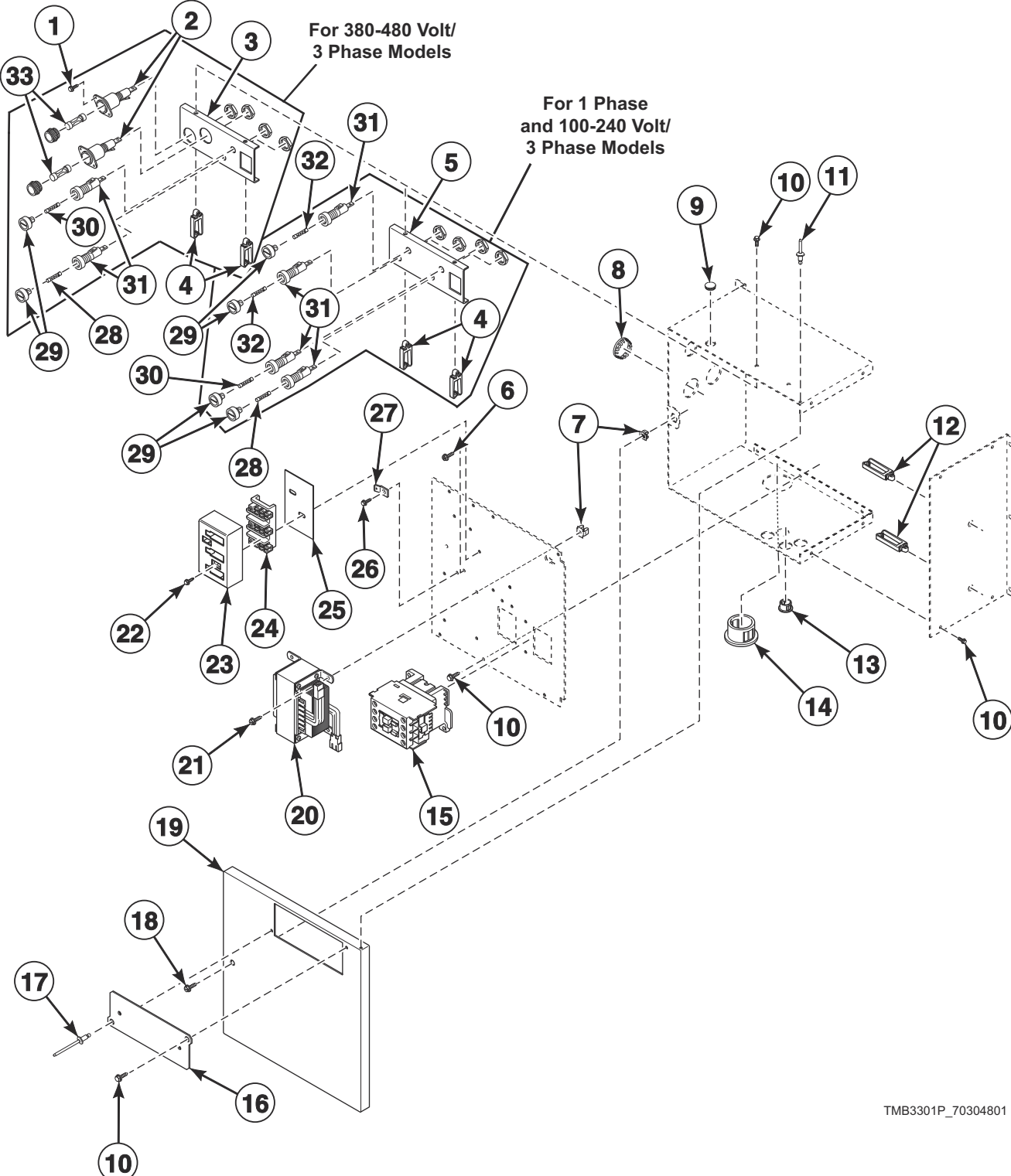


TMB2792P_70304801

Control Tray Harnesses - Steam Models

REF	PART NO.	DESCRIPTION	COMMENTS
1	70315801	Junction Box Harness	Dual secondary
2	70322401P	Steam Configuration Harness	
3	70347701P	Power Harness	Models through 2/28/10; Contactor; 1 Phase
	70316101P	Power Harness	CE models; Models through 2/28/10; 3 Phase models with less than 380 Volts
	70332201	Power Harness	Models through 2/28/10; 3 Phase models with 380 Volts or more
	70445501	Power Harness	Models starting 3/1/10; Contactor; 1 Phase
	70439001	Power Harness	CE models; Models starting 3/1/10; 3 Phase models with less than 380 Volts
	70438901	Power Harness	Models starting 3/1/10; 3 Phase models with 380 Volts or more
4	70316201	Power Harness	Models through 2/28/10; Upper pocket to lower pocket
	70439501	Power Harness	Models starting 3/1/10; Upper pocket to lower pocket
5	70210901P	Relay	Non-CE models; 1 Phase
6	70320201	Motor Contactor Harness	Models through 2/28/10; 3 Phase models with 380 Volts or more
	44142601P	Motor Contactor Harness	Models starting 3/1/10; 3 Phase models with 380 Volts or more
7	70316601	Stove Limit Bypass Harness	
8	M413505	Jumper Harness Assembly	Non-CE models; 208 Volt/60 Hertz/1 Phase and 240 Volt/60 Hertz/1 Phase
	M413507	Jumper Configuration Assembly	CE models with less than 380 Volts; Non-CE models with 230-240 Volt/50 Hertz/1 Phase and 3 Phase models with less than 380 Volts
	M413508	Jumper Harness Assembly	Non-CE models with 100, 200, 220 Volt/60 Hertz/1 Phase, 100, 200 Volt/50 Hertz/1 Phase and 3 Phase models with less than 380 Volts; CE models with 380 Volts or more
	M413510	Jumper Configuration Assembly	Non-CE models; 460-480 Volt/60 Hertz/3 Phase
	9	M413863	Network Capacitor Assembly
10	M413878	Network Capacitor Harness Assembly	Models through 7/8/12; 3L, 3O, 3V and 3X control suffixes
	44143401P	Network Capacitor Harness Assembly	Models starting 7/9/12; Also order 00177 Male Tab Terminal; 3L, 3O, 3V and 3X control suffixes
11	70389901	Steam Stove Limit Bypass Harness	

Control Tray Components - Non-CE Steam Models

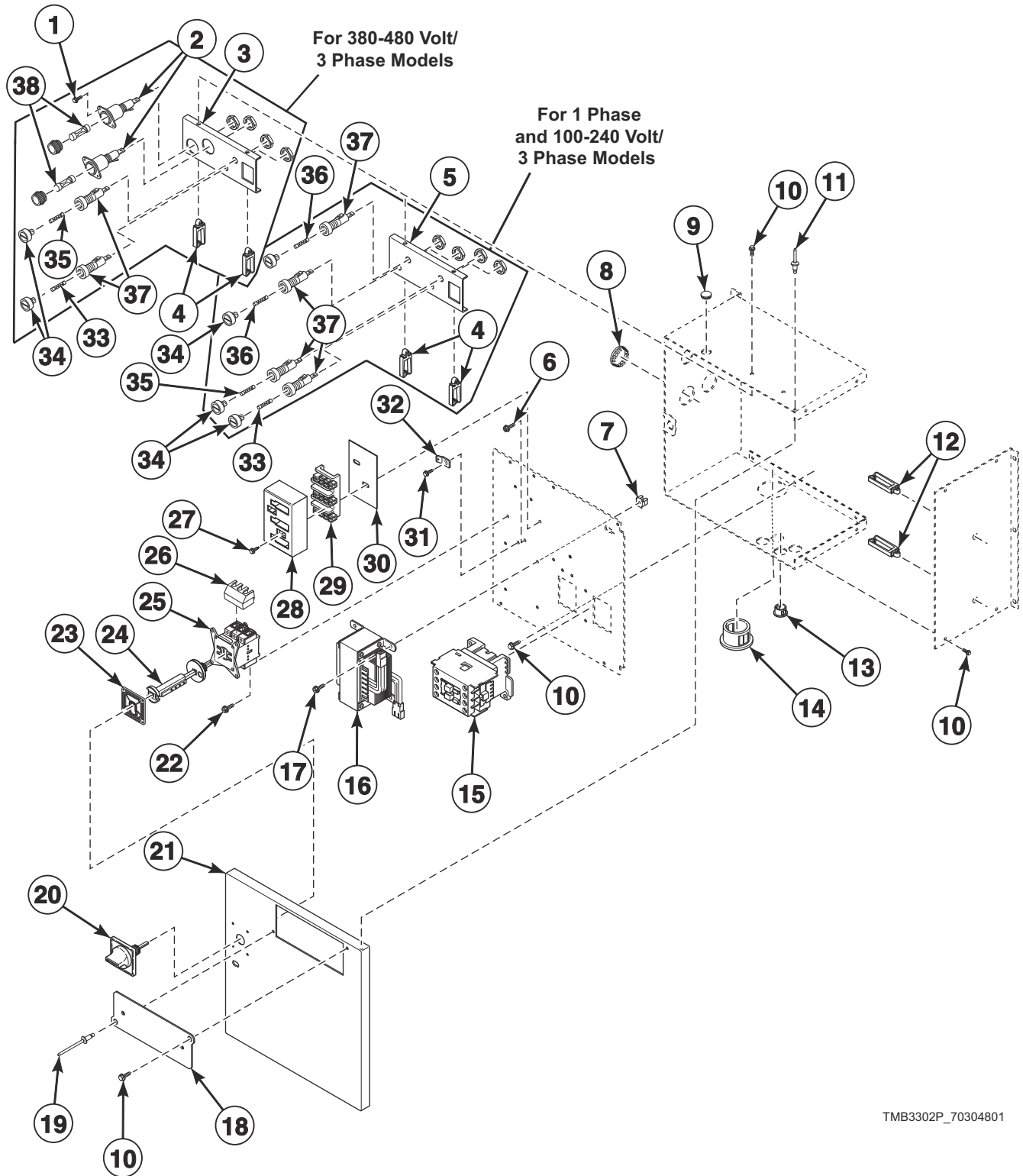


TMB3301P_70304801

Control Tray Components - Non-CE Steam Models

REF	PART NO.	DESCRIPTION	COMMENTS
1	D501086	Screw	4 required for models with 380 Volts or more
2	M413544P	Fuse Holder	2 required for 3 Phase models with 380 Volts or more; Models through 2/28/10
	44155601P	Fuse Holder	2 required for 3 Phase models with 380 Volts or more; Models starting 3/1/10
3	70313601	Fuse Bracket	3 Phase models with 380 Volts or more; Models through 2/28/10
	70313602	Fuse Bracket	3 Phase models with 380 Volts or more; Models starting 3/1/10
4	70347601	Wire Clip	2 required
5	70306901	Fuse Bracket	
6	M402917	Screw	
7	70030501	Expansion Clip	5 required
8	M400985	Plug	2 required
9	44024202	Hole Plug	
10	51780	Screw	11 required
11	70058502	Pop Rivet	2 required
12	70366201	Wire Clip	3 required
13	70178701	Snap Bushing	Models with 3L, BL, KL, LL and WL control suffixes
14	M402542	Snap Bushing	
15	70323701P	Contacto	
16	70313301	Fuse Cover	
17	70058501	Pop Rivet	
18	33562	Screw	
19	70313401	Contacto Box Cover	
20	M414312P	Transformer	Dual secondary; 120, 208-240 Volt/60 Hertz/1 Phase models with 3L, 3O, 3V, 3X, BC, BG, BL, BX, BY, LC, LX, LY, NC, NJ, NR, NX, NY, WC, WX, WY, ZC, ZR, ZX and ZY control suffixes
	M414230P	Transformer	Primary/secondary; 120, 208-240 Volt/60 Hertz/1 Phase models with QT and SD control suffixes
	M414228P	Transformer	Multitap; All other 1 Phase models; 3 Phase models with less than 380 Volts
	M414229P	Transformer	Multitap; 3 Phase models with 380 Volts or more
	44074401	Transformer	Dual secondary; 440 Volt/60 Hertz/3 Phase
21	M411072	Screw	4 required
22	51783	Screw	2 required
23	70333001	Terminal Block Shield	
24	430642	Terminal Block	
25	M413862	Insulator	
26	430497	Screw	
27	00177	Male Tab Terminal	Ground
28	70406601	Fuse	3.5 Amp
29	70329501	Fuse Holder Cap	3 required 1 Phase models; 4 required 3 Phase models with less than 380 Volts; 2 required 3 Phase models with 380 Volts or more
30	70406501	Fuse	1.25 Amp
31	70329401P	Fuse Holder Body	3 required 1 Phase models; 4 required 3 Phase models with less than 380 Volts; 2 required 3 Phase models with 380 Volts or more
32	70406701	Fuse	2 Amp
33	44310001	Fuse	2 required for models with 380 Volts or more

Control Tray Components - CE Steam Models

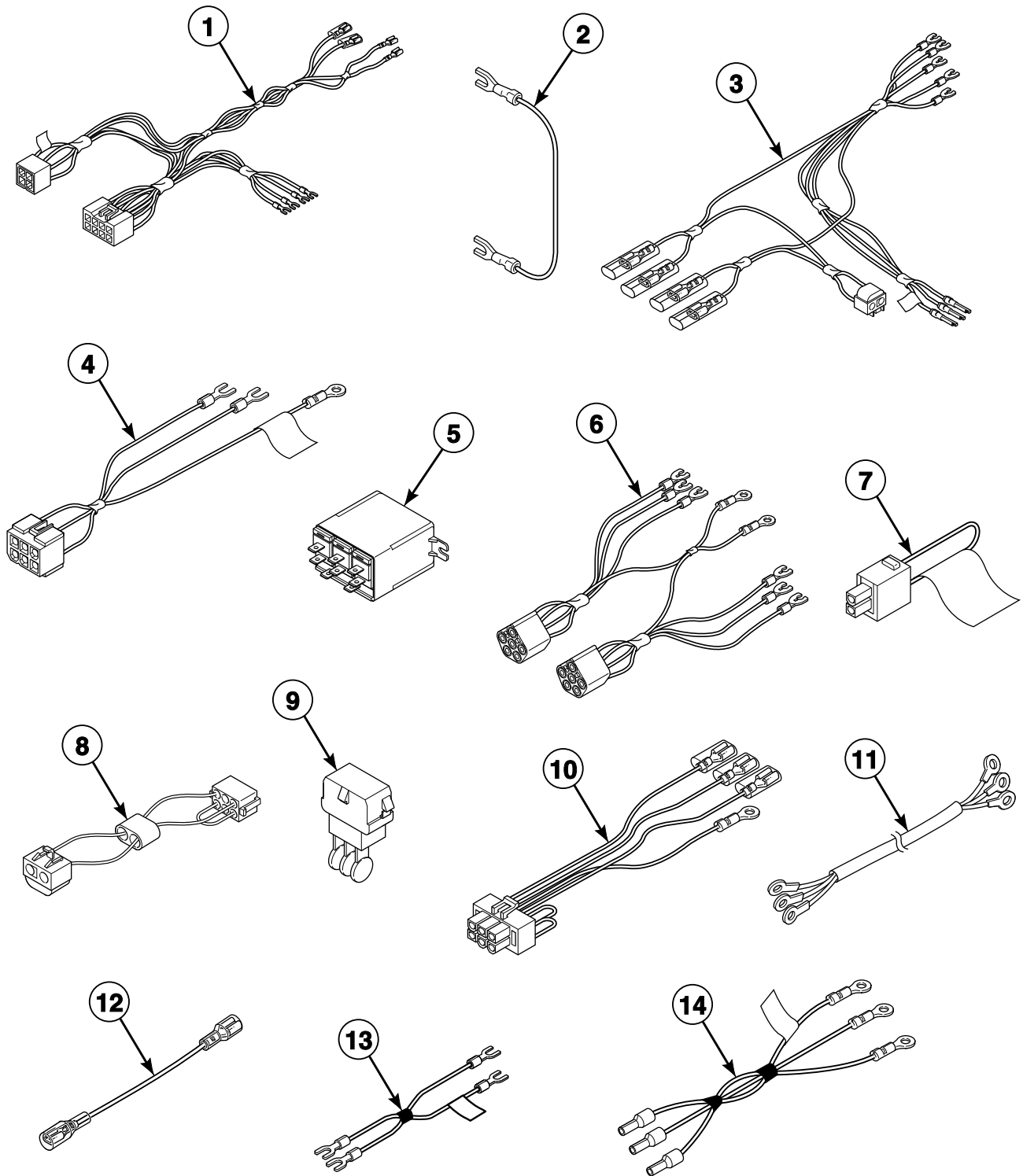


TMB3302P_70304801

Control Tray Components - CE Steam Models

REF	PART NO.	DESCRIPTION	COMMENTS
1	D501086	Screw	4 required; Models with 380 Volts or more
2	M413544P	Fuse Holder	2 required for 3 Phase models with 380 Volts or more; Models through 2/28/10
	44155601P	Fuse Holder	2 required for 3 Phase models with 380 Volts or more; Models starting 3/1/10
3	70313601	Fuse Bracket	3 Phase models with 380 Volts or more; Models through 2/28/10
	70313602	Fuse Bracket	3 Phase models with 380 Volts or more; Models starting 3/1/10
4	70347601	Wire Clip	2 required
5	70306901	Fuse Bracket	Models with less than 380 Volts
6	M402917	Screw	
7	70030501	Expansion Clip	
8	M400985	Plug	2 required
9	44024202	Hole Plug	
10	51780	Screw	11 required
11	70058502	Pop Rivet	2 required
12	70366201	Wire Clip	4 required
13	70178701	Snap Bushing	Models with 3L, BL, KL, LL and WL control suffixes
14	M402542	Snap Bushing	
15	70323701P	Contactor	24 Volt
16	M414228P	Transformer	Multitap; Models with less than 380 Volts
	M414229P	Transformer	Multitap; Models with 380 Volts or more
	44074401	Transformer	Dual secondary; 440 Volt/60 Hertz/3 Phase
17	M411072	Screw	4 required
18	70313301	Fuse Cover	3 required
19	70058501	Pop Rivet	
20	M412208	Handle	Upper pocket; Models through 7/31/11
21	70313402	Contactor Box Cover	
22	51782	Screw	2 required; Upper pocket
23	M412368	Door Interlock	Upper pocket; Models through 7/31/11
24	70342501P	Extension Handle	Upper pocket; Models through 7/31/11
25	M412187P	Mounting Switch Base	Upper pocket; Models through 7/31/11
26	M412366	Finger Guard	Upper pocket; Models through 7/31/11
27	51783	Screw	2 required
28	70333001	Terminal Block Shield	
29	430642	Terminal Block	
30	M413862	Insulator	
31	430497	Screw	3 required
32	00177	Male Tab Terminal	Ground
33	70406601	Fuse	3.5 Amp
34	70329501	Fuse Holder Cap	3 required 1 Phase models; 4 required 3 Phase models with less than 380 Volts; 2 required 3 Phase models with more than 380 Volts
35	70406501	Fuse	1.25 Amp
36	70406701	Fuse	Models with less than 380 Volts; 2 Amp
37	70329401P	Fuse Holder Body	3 required 1 Phase models; 4 required 3 Phase models with less than 380 Volts; 2 required 3 Phase models with more than 380 Volts
38	44310001	Fuse	2 required; Models with 380 Volts or more

Accessory Box Harnesses - Electric Models

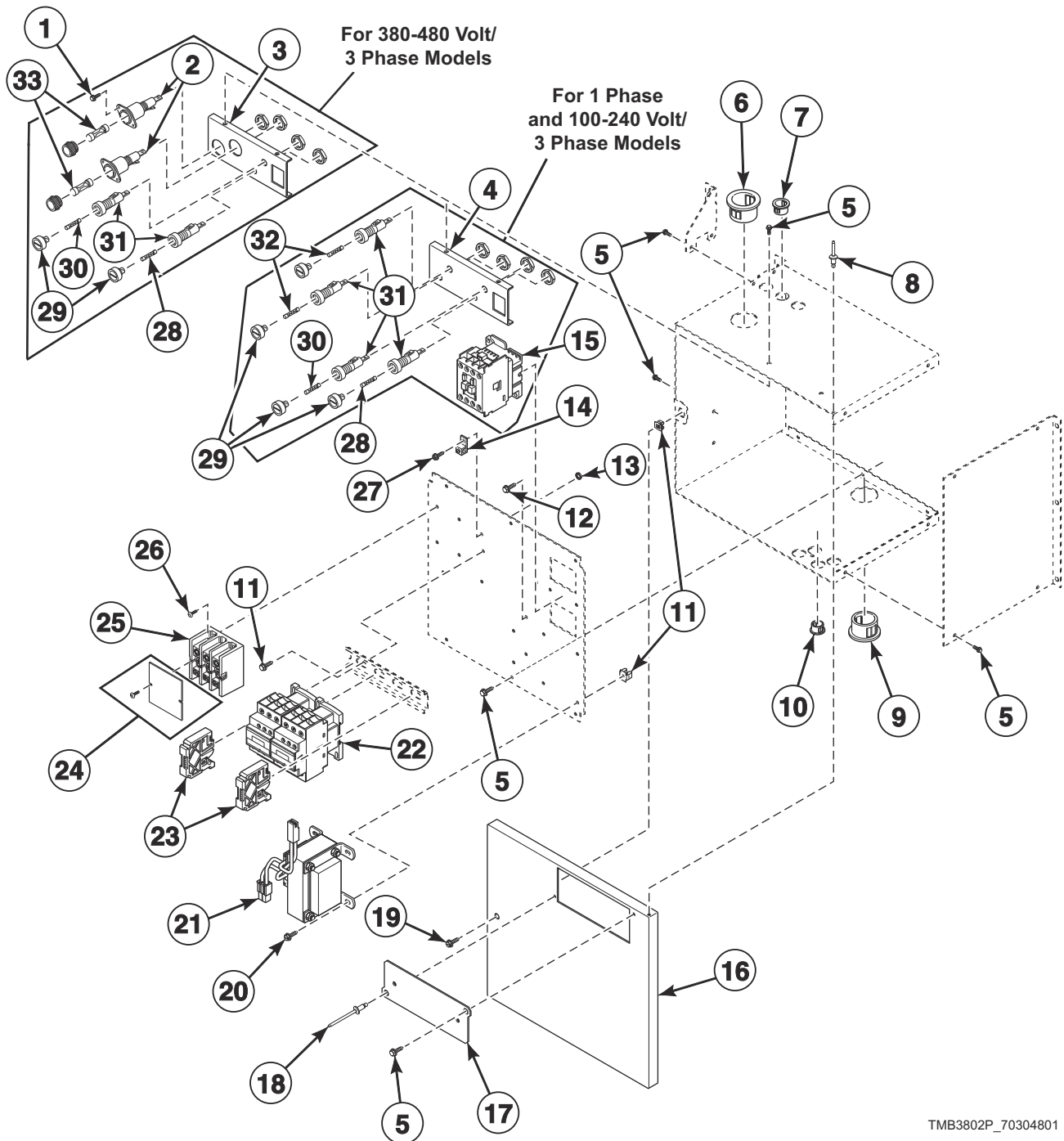


TMB2793P_70304801

Accessory Box Harnesses - Electric Models

REF	PART NO.	DESCRIPTION	COMMENTS
1	70315801	Junction Box Harness	Dual secondary
2	M413933	Jumper Cable Assembly	Non-CE and CE models; Non-CE models require 3; 7.5 inches
	M414121	Jumper Cable Assembly	CE models; 3 required
3	70357401	Power Harness	Models through 2/28/10; Models with less than 380 Volts
	70357501	Power Harness	Models through 2/28/10; Models with 380 Volts or more
	70439401	Power Harness	Models starting 3/1/10; Models with less than 380 Volts
	70439301	Power Harness	Models starting 3/1/10; Models with 380 Volts or more
4	70357601P	Electric Configuration Harness	
5	70210901P	Relay	Non-CE models; 1 Phase
6	70320201	Motor Contactor Harness	Models through 2/28/10; 3 Phase
	44142601P	Motor Contactor Harness	Models starting 3/1/10; 3 Phase
7	70316601	Stove Limit Bypass Harness	
8	M413505	Jumper Harness Assembly	Non-CE models; 208 Volt/60 Hertz/1 Phase and 240 Volt/60 Hertz/1 Phase
	M413506	Jumper Harness Assembly	Non-CE models; 200-208 Volt/60 Hertz/3 Phase and 200 Volt/50 Hertz/3 Phase
	M413507	Jumper Configuration Assembly	Non-CE models; 240 Volt/60 Hertz/3 Phase and 240 Volt/50 Hertz/3 Phase
	M413508	Jumper Harness Assembly	380 Volt/50 Hertz/3 Phase
	M413509	Jumper Harness Assembly	400-415 Volt/50 Hertz/3 Phase
	M413510	Jumper Configuration Assembly	Non-CE models; 460-480 Volt/60 Hertz/3 Phase
9	M413863	Network Capacitor Assembly	3L, 3O, 3V and 3X control suffixes
10	70286501	Network Capacitor Harness Assembly	Models through 7/8/12; 3L, 3O, 3V and 3X control suffixes
	44152001	Network Capacitor Harness Assembly	Models starting 7/9/12; 3L, 3O, 3V and 3X control suffixes
11	70167901	Heater Cable Set Assembly	H1-H3
	70168001	Heater Cable Set Assembly	H4-H6; Non-CE models; Models with less than 380 Volts
12	70139001	Jumper Assembly	Non-CE models; Models with less than 380 Volts; 3 required; 10 inches
	70260201	Jumper Wire	CE models
13	70355801P	Electric Contactor Jumper Set Harness	Non-CE models; Models with less than 380 Volts
14	70371301P	Cable Set Heater Assembly	
	70371401P	Cable Set Heater Assembly	Models with 240 Volts or less

Accessory Box Components - Non-CE Electric Models

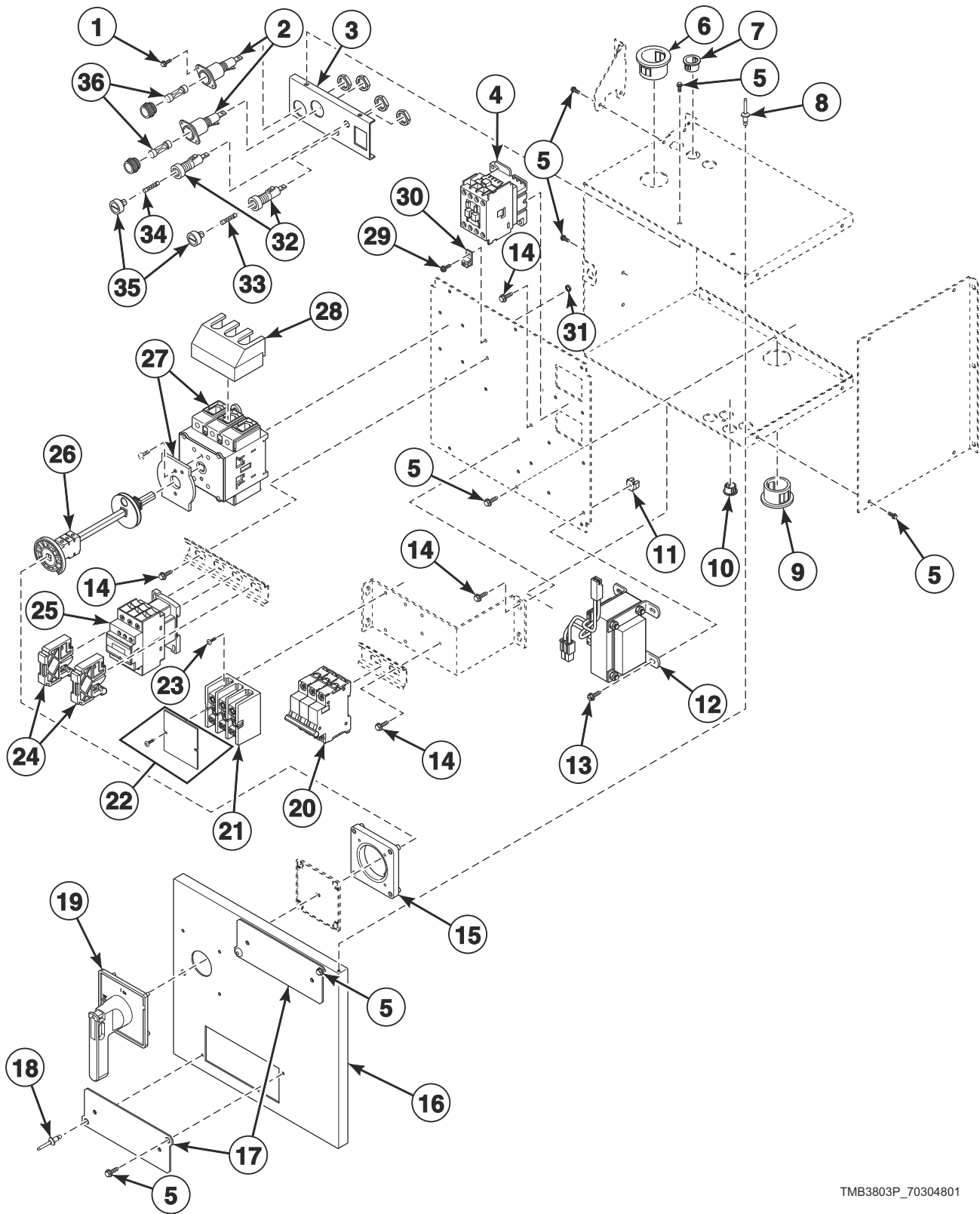


TMB3802P_70304801

Accessory Box Components - Non-CE Electric Models

REF	PART NO.	DESCRIPTION	COMMENTS
1	D501086	Screw	4 required; Models with 380 Volts or more
2	M413544P	Fuse Holder	2 required for 3 Phase models with 380 Volts or more; Models through 2/28/10
	44155601P	Fuse Holder	2 required for 3 Phase models with 380 Volts or more; Models starting 3/1/10
3	70313601	Fuse Bracket	3 Phase models with 380 Volts or more; Models through 2/28/10
	70313602	Fuse Bracket	3 Phase models with 380 Volts or more; Models starting 3/1/10
4	70306901	Fuse Bracket	Models with less than 380 Volts
5	51780	Screw	9 required
6	M405340	Snap Bushing	
7	M400770	Snap Bushing	
8	70058502	Pop Rivet	2 required
9	70346501	Bushing	
10	70178701	Snap Bushing	Models with 3L, BL, KL, LL and WL control suffixes
11	70030501	Expansion Clip	5 required
12	430497	Screw	
13	44088001	Nut	
14	M411283	Ground Lug Connector	
15	70323701P	Contactors	24 Volt
16	70348201	Contactors Box Cover	
17	70313301	Fuse Cover	
18	70058501	Pop Rivet	
19	33562	Screw	
20	M411072	Screw	4 required
21	M414229P	Transformer	Multitap; Models with 380 Volts or more
	M414228P	Transformer	Multitap; Models with less than 380 Volts
	44074401	Transformer	Dual secondary; 440 Volt/60 Hertz/3 Phase
22	70343301P	Contactors	2 required
23	70121001	End Stop	3 required
24	44014901P	Power Distribution Block Cover	Includes screws
25	M413865	Power Distribution Block	
26	39733	Screw	4 required
27	685837	Screw	
28	70406601	Fuse	Models with less than 380 Volts; 3.5 Amp
29	70329501	Fuse Holder Cap	4 required
30	70406501	Fuse	1.25 Amp
31	70329401P	Fuse Holder Body	4 required
32	70406701	Fuse	2 required; 2 Amp
33	44310001	Fuse	2 required; Models with 380 Volts or more

Accessory Box Components - CE Electric Models



TMB3803P_70304801

Accessory Box Components - CE Electric Models

REF	PART NO.	DESCRIPTION	COMMENTS
	33562	Screw	2 required
	M412096	Earth Terminal Sticker	Next to item 29
	44314401	Time Delay Interlock Kit	
1	D501086	Screw	4 required
2	M413544P	Fuse Holder	2 required for 3 Phase models with 380 Volts or more; Models through 2/28/10
	44155601P	Fuse Holder	2 required for 3 Phase models with 380 Volts or more; Models starting 3/1/10
3	70313601	Fuse Bracket	3 Phase models with 380 Volts or more; Models through 2/28/10
	70313602	Fuse Bracket	3 Phase models with 380 Volts or more; Models starting 3/1/10
4	70323701P	Contactor	24 Volt
5	51780	Screw	12 required
6	M405340	Snap Bushing	
7	M400770	Snap Bushing	3 required
8	70058502	Pop Rivet	2 required
9	M402542	Snap Bushing	
10	70178701	Snap Bushing	Models with 3L, BL, KL, LL and WL control suffixes
11	70030501	Expansion Clip	4 required
12	M414229P	Transformer	Multitap
	44074401	Transformer	Dual secondary; 440 Volt
13	M411072	Screw	4 required
14	430497	Screw	
15	M412369	Door Interlock	Models through 7/31/11
16	70348202	Contactor Box Cover	
17	70313301	Fuse Cover	2 required
18	70058501	Pop Rivet	2 required
19	70268001	Handle	Models through 7/31/11
20	M412407P	Circuit Breaker	
21	M413865	Power Distribution Block	
22	44014901P	Power Distribution Block Cover	
23	39733	Screw	4 required
24	70121001	End Stop	2 required
25	70343301P	Contactor	
26	M412371P	Extension Handle	Models through 7/31/11
27	M412186	Mounting Switch Base	Models through 7/31/11
28	M412367	Finger Guard	Models through 7/31/11
29	685837	Screw	
30	M411283	Ground Lug Connector	
31	44088001	Nut	
32	70329401P	Fuse Holder Body	2 required
33	70406601	Fuse	3.5 Amp
34	70406501	Fuse	1.25 Amp
35	70329501	Fuse Holder Cap	2 required
36	44310001	Fuse	2 required

Parts Index

A

Access Panel Trim	
70399401	61, 63
Adapter	
70131901	103
Air Filter	
70036001	107
Airflow Switch and Arm Bracket	
70319601	97
Airflow Switch Arm	
70319401	97
Airflow Switch Cover	
70356601	97
70465701	97
Airflow Switch Vane	
70319201	97
Airflow Switch Wrapper	
70356101	97
Anti-Rattle Burner Assembly	
70546701	95
Audit Switch Bracket	
70183901	21, 23, 31
70292601	29, 33

B

Base Harness	
70449001	69
Belt	
70276201P	85
Belt Tension Tool Kit	
M4853P3	85
Blower Assembly	
70359801P	91
Blower Housing Cover Assembly	
70341401	91
Blower Housing Scroll	
70340801	91
Blower Inlet Cone	
70014101	91
Blower Motor	
70337501P	91
70342601P	91
Blower Motor Kit	
70337601P	91
70337701P	91
Blower Motor Mounting Plate	
70341001	91
Bolt	
70062401	85
Bumper Pad	
56128	113, 117
Burner Grill	
70188801	95
Burner Orifice	
M400997	101
M401000	101
M401002	101

M401011	101
M401014	101
M401017	101
M401022	101
M402444	101
M402489	101
M402980	101
M402996	101
M403017	101
M406184	101
M406361	101
44253801	101
44254001	101
70070903	101

Bushing	
M406124	111, 115
70346501	127
Buzzer Kit	
M4860P3	17
Bypass Harness	
70364103	17, 19, 23, 31, 35, 41, 49, 51

C

Cable Set Heater Assembly	
70371301P	125
70371401P	125
Card Reader and Bracket Assembly	
D510068P	35
Card Reader Harness Assembly	
70211801	35
Card Reader Network Harness Assembly	
70206601	35
Card Reader Overlay	
70334201	23, 41
70334301	23
70523601	41
Center Cylinder Seal Assembly	
70066003	81
Center Partition	
70639201	81
Central Pay Harness	
70484501	23, 39, 47
70491501	19
70491502	19
Central Pay Interface Control Assembly	
209/00471/75	19
Channel Base Assembly	
70288201	81
Chassis Mounting Bracket	
70119001	23, 31, 41
Circuit Breaker	
M412407P	129
Clip	
70226701	81, 89
Coin Cover Overlay	
70246301	23, 47
Coin Drop	
38963P	25
70256402P	25
70429001	25

N/A items do not appear in index.

70441601P.....	25	70437104P.....	51
Coin Drop Assembly		70437105P.....	51
CK114.....	25	70450501P.....	39, 41
210195.....	25	70450502P.....	47, 49
210196.....	25	70454101P.....	51
38462P.....	25	70462303P.....	19
38463.....	25	70462304P.....	19
38464P.....	25	70462367P.....	19
38467.....	25	70462368P.....	19
38472.....	25	70462370.....	19
38475.....	25	70462371.....	19
38519.....	25	70503101P.....	17
38521.....	25	70503702P.....	51
39157.....	25	Control Board	
70441602.....	25	254/00070/00.....	19
70447301.....	25	Control Chassis Mounting Bracket	
70471601.....	25	70357901.....	17
70482401.....	25	70357902.....	15
Coin Drop Kit		Control Door and Studs Assembly	
CK077.....	25	70441001.....	51
CK097.....	25	70441101.....	51
CK122.....	27	70497401.....	23, 31, 41
CK123.....	25	70498001.....	33
Coin Identification Paper		70498401.....	23, 49
38725.....	25	Control Door Assembly	
Coin Vault Assembly		70175911.....	35
70180101.....	69	70361201.....	17
Coin Vault Switch Harness		70365101.....	15
70364104P.....	15, 19, 21, 33, 39, 47	70365801.....	15
Coin Vault Trim		Control Door Latch	
70117501.....	69	431318.....	15, 17, 23, 33, 35, 39, 41, 47, 49
70117502.....	69	Control Door Latch Kit	
Communication Board		70559502.....	15, 19, 21, 33, 39, 47
210095P.....	37	Control Housing	
210097.....	45	70119901.....	65
Communication Board Bracket		Control Housing Cover	
70323101.....	45	70307002.....	37, 43
Communication Connector		70307003.....	31
210099.....	45	Control Kit	
Communication Harness Assembly		D505905P.....	31, 33, 35
70211101.....	37	Control Mounting Bracket Assembly	
Contact Base		70420201.....	31
F8538101.....	71	Control Overlay	
Contact Block		70410101.....	39
44018701.....	71	70410102.....	39
44018901.....	71	70417601.....	41
Contact Block Switch		70443401.....	39
F200233401P.....	71	70443501.....	39
Contact Switch		70449401.....	39
F8069501.....	71	70472101.....	47
Contact Switch		70472102.....	47
F8069501.....	71	70472901.....	49
Contact Switch		70523401.....	41
F8069501.....	71	Control Panel Harness	
Contact Switch		44240301.....	51
F8069501.....	71	70315501P.....	21, 23, 31, 35
Contact Switch		70367001P.....	17
F8069501.....	71	70367101.....	15
Contact Switch		70368001P.....	23, 31, 33, 35
F8069501.....	71	70369001.....	15
Contact Switch		70410401P.....	39, 41, 47, 49
F8069501.....	71	70485301.....	19
Contact Switch		70489901.....	19
F8069501.....	71	Control Plate Assembly	
Contact Switch		70365601.....	17
F8069501.....	71		

N/A items do not appear in index.

E

Earth Terminal Sticker M412096	129
Elbow	
70079601	103
70208701	103
Electric Configuration Harness 70357601P	125
Electric Contactor Jumper Set Harness 70355801P	125
Electronic Coin Drop Assembly	
70294103P	25
70294104	25
70294106	25
70294107	25
70294111	25
70294117	25
70294119	25
70294120	25
70294121	25
70513311	25
Electronic Coin Drop Harness 44065801	25
Electronic Coin Drop Kit	
CK099	25, 27
CK100	27
CK101	27
CK103	27
CK109	27
CK113	27
CK115	27
CK116	27
CK117	27
CK118	27
CK119	27
CK120	27
CK121	27
CK125	27
Emergency Stop Button Kit F200233700P	71
Emergency Stop Harness 70364101P	71
70364102	71
Emergency Stop Label 44012901	71
Emergency Stop Pushbutton F200233500	71
End Cap	
70070101	77
70070102	77
End Stop 70121001	127, 129
Ethernet Gateway Kit NK320	39, 41, 47, 49
Exhaust Duct Assembly 70662601	89
70662602	89
Exhaust Duct Gaskets Assembly 70340401	89
Exhaust Pipe 44154301	89
Expansion Clip 70030501	81, 113, 117, 121, 123, 127, 129

Extension Handle M412371P	129
70342501P	117, 123

F

False Front	
70371703DG	61
70371703LG	61
70371704	61
False Front Kit	
70371701*P	61
70371702P	61
Fan Motor Harness	
70317001	91
70440001P	91
70440401	91
Fan Spacer 70599301	91
Filter 70429401	107
Finger Guard	
M412366	117, 123
M412367	129
Forward Valve Cover 70328201	99
Front Panel Baffle Seal 70017301	65, 67, 69
Front Panel Seal 70173401P	61, 63
Fuse	
44310001	111, 115, 121, 123, 127, 129
70406501	111, 115, 121, 123, 127, 129
70406601	111, 115, 121, 123, 127, 129
70406701	111, 115, 121, 123, 127
Fuse Bracket	
70306901	111, 115, 121, 123, 127
70313601	111, 115, 121, 123, 127, 129
70313602	111, 115, 121, 123, 127, 129
Fuse Cover 70313301	113, 117, 121, 123, 127, 129
Fuse Holder	
M413544P	111, 115, 121, 123, 127, 129
44155601P	111, 115, 121, 123, 127, 129
Fuse Holder Body 70329401P	111, 115, 121, 123, 127, 129
Fuse Holder Cap 70329501	111, 115, 121, 123, 127, 129

G

Gas Burner 70229801P	95
Gas Disconnect Harness	
70342101	109
70440501	109
Gas Valve	
44154501P	99
44154502P	99
Gas Valve Bracket 70233301	103

N/A items do not appear in index.

Gas Valve Coil	70260101	103
Gas Valve Coil Kit	44257501	103
Gas Valve Cover	70233401	95, 103
Gas Valve Harness	70184001	103
Gas Valve Harness Assembly	M413650	103
Gasket	70289101P	89
	70392701P	91
Graphic Overlay	70279101	19
	70279201	19
	70279202	19
	70462601	19
	70462602	19
	70462603	19
	70468201	19
Ground Lug Connector	M411283	127, 129

H

Handle	M412208	117, 123
	70268001	129
Handle Bar	70399502B	57
Harness Assembly	M412997	99, 107
Heater Cable Set Assembly	70167901	105, 125
	70168001	105, 125
Heater Element	70034401P	105
	70034402P	105
	70034403P	105
	70034414P	105
	70034415P	105
	70034416P	105
High Voltage Lead	70323601	109
High Voltage Suppression Cable	44239701	109
Hinge Cam Kit	M4772P3	59
	M4773P3	59
Hole Plug	44024202	121, 123

I

ICM Reset Label	70411001	117
Idler Bracket	70443301	85
Idler Wheel Assembly	70050401P	85

Igniter Cover	70159601	95
Ignition Control	70458601P	113
	70483201P	117
Ignition Control Harness	44136601P	109
	44186701	109
	44186901	109
Ignition Control Kit	70492501	113
	70492601	117
Instruction Label	70418101	61, 63
Insulator	M413862	113, 117, 121, 123

J

Jumper Assembly	70139001	125
Jumper Cable Assembly	M413933	125
	M414121	125
Jumper Calibration Assembly	70211703P	33, 35
Jumper Calibration Wire	70324603	15, 17, 21, 31, 39, 41, 47, 49, 51
Jumper Configuration Assembly	M413507	109, 119, 125
	M413510	109, 119, 125
Jumper Harness Assembly	M413505	109, 119, 125
	M413506	109, 125
	M413508	109, 119, 125
	M413509	125
Jumper Strip	M400869	105
Jumper Wire	70260201	125
Junction Box Harness	70315801	109, 119, 125

K

Key	70144101	91
	70155601	65
	70155602	73
Kickplate	70117605	69
	70117606	69

L

Label	70286601	65
	70414001	65
Latch Mounting Bracket	70119801	15, 17
	70184501	23, 31, 33, 35, 39, 41, 47, 49

N/A items do not appear in index.

Light	801431	15
Limit Thermostat	M409219	95
	M409433	105
	M411307	91
	70299001	95
Lint Drawer Front Kit	70322901P	73
	70322902P	73
Lint Drawer Gasket	70117901P	67, 69
Lint Drawer Handle	70320801	73
	70320802	73
Lint Drawer Handle Plate	70323201	73
Lint Frame Gasket	70333101	73
Lint Panel and Studs Assembly	70322905	73
	70322906	73
Lint Screen Assembly	70290601	73
Lint Screen Bracket	70026901	73
Lock Shim	70342401	73
	70342402	73
Lock, Key and Nut Kit	44089301P	65
	44089302P	73
Lower Card Reader Harness	70420101P	31
Lower Front Panel	70391207	63
	70391208	63
	70391209	63
	70575101DG	63
	70575201LG	63
	70575301DG	63
	70575301LG	63
	70619701DG	63
Lower Front Panel Assembly	70391201*P	63
	70391202P	63
	70391203*P	63
	70391204	63
	70391205*	63
	70391206P	63
	70454502	63
Lower Front Panel Assembly Kit	70485402	63
Lower Pan	70560401	81
Lower Stove Cover	70333501	105
L.P. Conversion Kit	M4707P3	99, 103
L.P. Valve	44154504	99
	70457302P	103
L.P. Valve Conversion Kit	M405434P	103

N/A items do not appear in index.

M

Main Harness	70346001P	15, 17, 21, 23, 31, 39, 41
	70346002P	33, 35, 39, 41
	70419901P	31
	70441401	17, 19, 21, 23, 39, 41, 47, 49, 51
Male Tab Terminal	00177	15, 17, 113, 117, 121, 123
Manual Reset Thermostat	70186301	95
	70397101	95
Membrane Switch	D510036P	21, 23, 31, 33, 35
Moisture Sensor Harness Assembly	70448902	93
Moisture Sensor Test Wires	70468901	93
Motor Capacitor	M410296	87
	70211401	87
	70211502	87
Motor Channel	70261701	85
Motor Conduit Mounting Bracket	70321701	85, 91
Motor Contactor Harness	44142601P	109, 119, 125
	70320201	109, 119, 125
Motor Mount Bracket	70127301	85
Motor Pulley	70284201	85
	70284203	85
Mounting Bracket	70179001	19
Mounting Plate	70208801	23, 31, 41, 49
Mounting Switch Base	M412186	129
	M412187P	117, 123

N

Nameplate	B12389801	65
	39564	39
	44046801	65
	44062901	65
	44129906	65
	70289201	65
	70289801	65
	70521201	67
Nameplate Overlay	44144401	57
	70411401	57
Network Board	210157P	37
Network Board Assembly	201341	43
	210016P	37
Network Cable	210165	37

Network Capacitor Assembly		70129601	21
M413863	109, 119, 125	70129701	21
Network Capacitor Harness Assembly		70129801	21
M413878	109, 119	70136301	75
44143401P	109, 119	70136401	75
44152001	125	70136501	75
70286501	125	70136601	75
Network Controller Kit		70137101	75
NK220	39, 41	70184101	33
Network Retrofit Kit		70184102	33
NK207	39, 41	70184201	35
Network Wire Harness Assembly		70235101	35
44088501P	43	70243801	67
800217	37	70257801	21
Nut		70257802	21
M400022	79, 91	70258101	21
M400033	93	70258102	21
M400034	79, 91	70258201	75
M412986	77, 79, 85	70261101	21
M414215	57	70261102	21
Q6163	105	70261301	21
21899	81	70275401	23
23951	59	70283301	21
24205	15, 17	70283401	21
27222	85	70285001	75
29786	15, 21, 29, 33, 91	70286701	23
29787	17, 19, 31	70286801	23
29796	85	70304201	23
430576	81	70304301	75
44087101	73	70321001	21
44088001	57, 127, 129	70335801	23
44088801	65, 73	70336001	23
56156	85	70351501	23
70030401	81	70351601	75
70054	15, 17, 23, 31, 35, 51	70351701	75
70288801	81	70361301	17
N.G. Valve		70361401	17
44154503	99	70361901	15
70457301P	103	70362001	15
		70362601	67
		70375301	75
		70395901	75
		70411601	75
		70411801	23
		70412901	67
		70413601	33
		70413602	33
		70413701	75
		70413901	33
		70413902	33
		70416301	35
		70416401	35
		70417901	31
		70418001	31
		70445102	51
		70452601	21
		70452602	21
		70452701	21
		70452702	21
		70452801	23
		70452901	23
		70460901	75
		70462801	51
		70463002	51
		70466702	51
		70467102	51
		70472302	51
		70472502	51
		70492001	21, 23
O			
Opto Coupler			
200674P	25		
Orifice Adapter			
70552801P	99		
Orifice Holder Bracket			
70248901	99		
Orifice Keeper Bracket			
70249001	99		
O-Ring			
431482	103		
Output Bracket			
44223101	51		
Output Harness			
44186101	51		
Overlay			
259/00005/00	19		
44147801	33		
70114601	67		
70114701	75		
70115201	75		
70115301	75		
70115401	67		
70129501	21		

N/A items do not appear in index.

70492002	21
70493801	51
70493901	17
70499501	75
70504801	17
70505001	51
70505301	21
70505302	21
70506001	75
70506101	75
70506801	23
70508901	21
70509101	51
70509201	67
70509401	67
70509801	23
70509901	21
70510001	21
70510101	21
70510201	21
70510301	21
70510401	21
70511101	23
70511201	23
70511301	21
70511401	23
70523501	67
70525901	51
70537501	21
70537901	23

Porcelain Touch-Up Paint	
122P4P	83
215P4P	83
370P4P	83
Power Distribution Block	
M413865	127, 129
Power Distribution Block Cover	
44014901P	127, 129
Power Harness	
70316101P	109, 119
70316201	109, 119
70332201	109, 119
70347701P	109, 119
70357401	125
70357501	125
70438901	109, 119
70439001	109, 119
70439301	125
70439401	125
70439501	109, 119
70445501	109, 119
Primary Air Adjustment Sleeve	
70239801	99, 103
Pushbutton	
44018801	71
Pushbutton Switch	
M413431	115
70413301	21, 23, 29, 31, 33, 65, 69

P

Panel Clip	
M406494	65
Panel Latch	
70399201	73
Panel Latch Kit	
70399201P	73
Panel Locator	
56079	17, 31
PC Board Standoff	
210098	45
Pin	
70071401	59
Pipe	
70262601	99
Pipe Clip	
70203701	95
Pipe Nipple	
431486	99
70210201	103
Pipe Tee	
70267501	99
Plug	
M400985	111, 115, 121, 123
Pop Rivet	
M400003	15, 17, 23, 33, 35, 39, 41, 47, 49, 65
44166601	69
44251101	65
70058501	59, 81, 99, 113, 117, 121, 123, 127, 129
70058502	111, 115, 121, 123, 127, 129
70126301	57, 69
70126401	69
70412601	57

R

Rear Bearing Shim	
70355001	79
Rear Cylinder Bearing Housing	
70013901	79
Rear Cylinder Channel	
70257101	77
70257102	77
Rear Cylinder Channel Plate	
70257201	77
Rear Cylinder Seal	
70013701P	79, 81
Rear Cylinder Seal Support	
70506402	79, 81
Rear Panel	
70339401	81
70339402	81
Rear Stabilizer Bracket	
70200301	91
Rear Valve Cover	
70282401	99
Relay	
70210901P	119, 125
Replacement Gas Valve Kit	
M4970P3	99
M4972P3	99
Rocker Switch	
44099601	31
70455101	15, 17
70461301	17
Roller and Seal Kit	
70616701	81
Roller Seal	
70443601	81

N/A items do not appear in index.

Roller Shaft	
70249501	81
Roller Support Bracket	
70339001	81

S

Screw	
D501086	111, 115, 121, 123, 127, 129
D501524	15, 17, 21, 23, 31, 33, 35, 39, 41, 47, 49, 51
D503661	43
M400056	85
M400661	57
M402917	113, 117, 121, 123
M405188	67
M411072	89, 113, 117, 121, 123, 127, 129
05161	95
23222	85, 91, 103
33562	113, 117, 121, 127, 129
38272	113, 117
39733	127, 129
430497	31, 77, 81, 85, 89, 91, 95, 97, 99, 103, 105, 113, 117, 121, 123, 127, 129
430648	85
430756	57
431484	103
44349101	59
51780	91, 111, 113, 115, 117, 121, 123, 127, 129
51782	117, 123
51783	113, 117, 121, 123
52909	37, 43
61199	57
62588	77
685837	127, 129
70033502	59, 65, 69
70069901	69
70126101	91
70182601	65, 69
70247701	81
70275801	67, 69
70391101	77
70407301	59
70442101	57, 59
70566401	85
Shadow Box Clip	
M400972	65, 69
Sheet Metal Edge Gasket	
70015711	81
70015712	81
Side Panel	
70231801DG	81
70231801*P	81
70231803LG	81
Sleeve	
44050601	19
Slip Ring Assembly	
44222702	93
Slip Ring Holder	
70455401	93
Slot Card Plate Assembly	
44089501	23, 31, 41, 49
Snap Bushing	
M400770	99, 127, 129
M402542	111, 115, 121, 123, 129
M405340	127, 129

70178701	111, 115, 121, 123, 127, 129
Solenoid Valve DIN Connector	
70370301P	107
Spacer	
431264	65
Spark Electrode	
70032801P	95
70548701P	95
Spray Paint	
297P4	83
298P4P	83
381P4	83
382P4	83
Spud Adapter	
70223501	103
Standoff	
211/00119/00	19
Steam Coil	
70369101P	107
Steam Configuration Harness	
70322401P	119
Steam Stove Limit Bypass Harness	
70389901	119
Steam Valve	
F8322902	107
Steam Valve Coil	
M412258	107
70205701P	107
Steam Valve Rebuild Kit	
70351021P	107
Stove Back	
70371501	95
Stove Grill	
70214901	105
Stove Limit Bypass Harness	
70316601	119, 125
Stove Limit Harness	
70316501	95
Stove Limits Harness	
70316501	95
Stove Limits Kit	
M4903P3	95
Stove Top and Sides	
70333401	95
Street Elbow	
H86070034	99, 103
Support Bearing	
70448701	79
Switch	
431159	81
70411901	97
Switch Bracket	
70356301	97

T

Tee	
70071801	99, 103
Temperature Knob	
44104601	15, 17
Temperature Selector Bracket	
70350201	15

N/A items do not appear in index.

Temperature Selector Switch D511711	15, 17
Temperature Selector Switch Bracket 70391701	17
Temperature Sensor Assembly B12308601	91
Terminal Block 430642	113, 117, 121, 123
Terminal Block Shield 70333001	113, 117, 121, 123
Terminating Resistor 210162	45
Thermistor M414704	91
Thermistor Cover 70346301	91
Thermostat Cover M414477	95
Time Delay Interlock Kit 44314401	129
Top Panel 70339501	81
Top Panel Assembly 70357701	81
Transformer M414228P	113, 117, 121, 123, 127
M414229P	113, 117, 121, 123, 127, 129
M414230P	113, 121
M414312P	113, 121
44074401	121, 123, 127, 129
Trunnion and Seal Kit 70564803	77
70564804	77
Tube 70281601	99
70281603	103
Tumbler Dolly Kit M4379P4	69

U

Upper Card Reader Harness 70420001P	31
Upper Front Panel 70533001	61
Upper Front Panel Assembly 70341307	61
70391301*P	61
70391302P	61
70391303P	61
70391305	61
70454501	61
70525301DG	61
70525401W	61
70618601	61
Upper Front Panel Assembly Kit 70485403	61
USB Gateway Kit NK330	39, 41
USB IR Interface Kit 203346	39, 41, 47, 49, 51

V

Valve Bracket and Cover Kit M4746P3	103
Valve Coil F8514801	107
Valve Coil Bracket 70260601	103
Valve Kit F8521701	107
Valve Rebuild Kit F8379502	107
Valve Support Bracket 70457701	103

W

Warning Label 70534301	65, 67, 69
Washer F431131	91
M400080	77
M400991	79
70261401	81
70265901	85
70270301	85
70292801	29
70409301	57
70411301	77, 79
Wire Clip 70347601	111, 115, 121, 123
70366201	31, 91, 111, 115, 121, 123
Wire Guard 201595P	25
Wireless Network Kit NK301	39, 41, 47, 49
Wireless Transceiver Assembly 202335	43