

Installation Instructions

for Dryers

Original Instructions

Keep These Instructions for Future Reference.

CAUTION: Read the instructions before using the machine.

(If this machine changes ownership, this manual must accompany machine.)



Part No. D518829ENR4

April 2025



WARNING



WARNING



Risk of fire. Highly flammable material.

W881



Read all instructions before using unit.



WARNING

FOR YOUR SAFETY, the information in this manual must be followed to minimize the risk of fire or explosion or to prevent property damage, personal injury or death.

W033



WARNING

- Do not store or use gasoline or other flammable vapors and liquids in the vicinity of this or any other appliance.
- **WHAT TO DO IF YOU SMELL GAS:**
 - Do not try to light any appliance.
 - Do not touch any electrical switch; do not use any phone in your building.
 - Clear the room, building or area of all occupants.
 - Immediately call your gas supplier from a neighbor's phone. Follow the gas supplier's instructions.
 - If you cannot reach your gas supplier, call the fire department.
- Installation and service must be performed by a qualified installer, service agency or the gas supplier.

W052

IMPORTANT: Purchaser must consult the local gas supplier for suggested instructions to be followed if the dryer user smells gas. The gas utility instructions plus the SAFETY and WARNING note directly above must be posted in a prominent location near the dryer for customer use.



WARNING

- Installation of unit must be performed by a qualified installer.
- Install clothes dryer according to manufacturer's instructions and local codes.
- **DO NOT** install a clothes dryer with flexible plastic venting materials. If flexible metal (foil type) duct is installed, it must be of a specific type identified by the appliance manufacturer as suitable for use with clothes dryers. Refer to section on connecting exhaust system. Flexible venting materials are known to collapse, be easily crushed, and trap lint. These conditions will obstruct clothes dryer airflow and increase the risk of fire.

W729R1



WARNING

To reduce the risk of severe injury or death, follow all installation instructions. Save these instructions.

W894



WARNING

FOR YOUR SAFETY

Do not store or use gasoline or other flammable vapors and liquids in the vicinity of this or any other appliance.

W053

This product uses FreeRTOS V7.2.0 (www.freertos.org).

The following information applies to the state of Massachusetts, USA.

- This appliance can only be installed by a Massachusetts licensed plumber or gas fitter.
- This appliance must be installed with a 36 inch [910 mm] long flexible gas connector.
- A "T-Handle" type gas shut-off valve must be installed in the gas supply line to this appliance.
- This appliance must not be installed in a bedroom or bathroom.

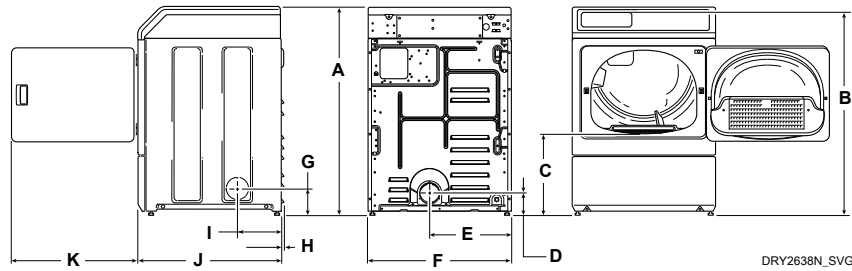
EPA EST. NO.:101050-WI-1

Table of Contents

Dimensions	5
Installation.....	7
Before You Start.....	7
Supplies.....	7
Parts Included.....	7
Parts Needed	7
Order of Installation Steps	7
Position and Level the Dryer.....	8
Steam Dryers - Connect Water Inlet Hose	10
Connect Dryer Exhaust System	11
Exhaust Direction.....	12
Exhaust System.....	13
Gas Dryers - Connect Gas Supply Pipe	14
Connect Electrical Plug (Electric Dryer Only)	15
Grounding Information	15
Connecting Power Cord with Three-Wire Plug.....	16
Connecting Power Cord with Four-Wire Plug.....	18
Reverse Door, if Desired	19
Wipe Out Inside of Dryer	20
Plug In the Dryer	20
Electric Dryer.....	21
Gas Dryers	21
Grounding Information	21
Recheck Steps	22
Check Heat Source	22
Electric Dryers	22
Gas Dryers	22
Installer Checklist	23

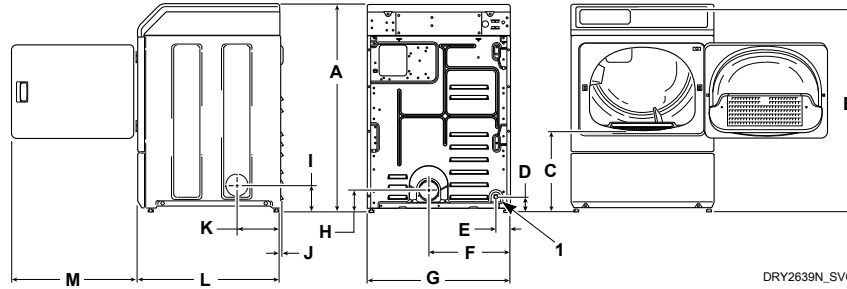
Dimensions

Electric Models



A	* 40.42 in. [1027 mm]
B	* 39.61 in. [1006 mm]
C	* 15.44 in. [392 mm]
D	* 4 in. [102 mm]
E	15.4 in. [391 mm]
F	26.875 in. [683 mm]
G	* 4.5 in. [114 mm]
H	0.4 in. [10 mm]
I	8 in. [203 mm]
J	28 in. [711 mm]
K	23.5 in. [597 mm]
NOTE: Exhaust openings are 4 inch [102 mm] metal ducting.	* With leveling legs turned into base.

Gas Models



1. 3/8 in. NPT Gas Connection

A	* 40.42 in. [1027 mm]
B	* 39.61 in. [1006 mm]
C	* 15.44 in. [392 mm]
D	* 2.8 in. [70 mm]
E	2.3 in. [60 mm]
F	15.4 in. [391 mm]
G	26.875 in. [683 mm]
H	4 in. [102 mm]
I	* 4.5 in. [114 mm]
J	0.4 in. [10 mm]
K	8 in. [203 mm]
L	28 in. [711 mm]
M	23.5 in. [597 mm]
NOTE: Exhaust openings are 4 inch [102 mm] metal ducting.	* With leveling legs turned into base.

NOTE: Gas models cannot be vented out left side of cabinet because of burner housing.

IMPORTANT: The dryer should have sufficient clearance around it for needed ventilation and for the ease of installation and servicing. For maximum drying performance, we recommend that more clearance be allowed around the dryer than the clearances that are listed throughout this manual.

Installation

Before You Start

Supplies

For most installations, the basic supplies you will need are:

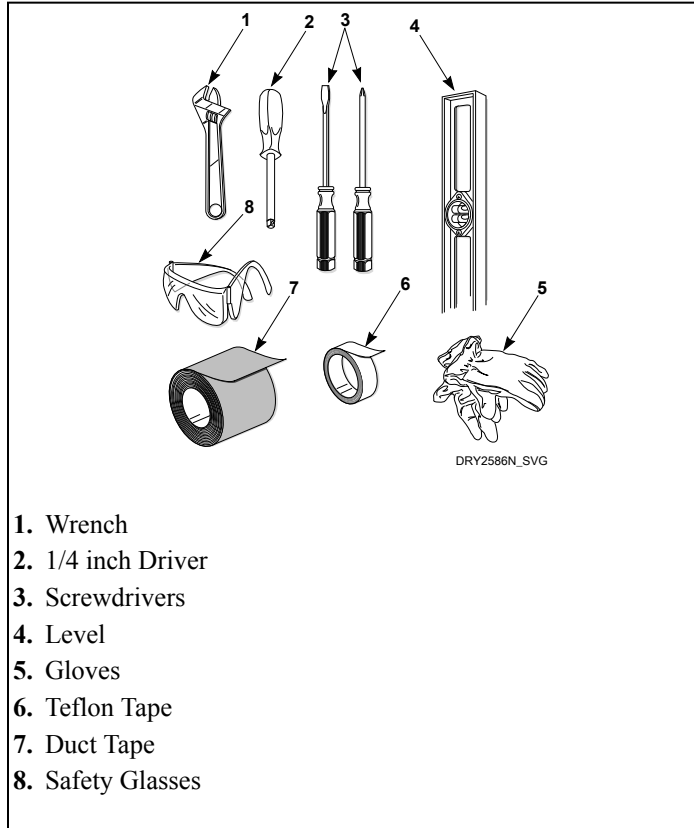


Figure 1

NOTE: This appliance is suitable for use in countries having a warm, damp climate.

	WARNING
Any disassembly requiring the use of tools must be performed by a suitably qualified service person.	
W299	

Parts Included

An accessories bag has been shipped inside your dryer. It includes:

- Product literature.
- Lint Filter Guard (optional accessory).
- Three screws (electric dryers only). Refer to *Electric Dryer Only - Connect Electrical Plug*.

- One filter screen washer (steam models only). Refer to *Steam Dryers - Connect Water Inlet Hose*.
- One plain rubber washer (steam models only). Refer to *Steam Dryers - Connect Water Inlet Hose*.

Parts Needed

Item	Quantity	Notes
Fill/Inlet Hose, Dryer	1	Must be sourced separately
Y-Connector	1	Must be sourced separately
Rubber washer	1	Must be sourced separately
Extension/Fill Hose	1; Optional	Must be sourced separately

Refer to the following specifications when sourcing fill/ inlet hoses:

- Hoses must be new.
- Hoses must be a minimum of 3/8 in. inside diameter. Smaller inside diameter hoses will cause long fill times which could create nuisance fill errors.
- The plain rubber washers and filter screens included with the washer in the accessories bag must be installed in the fill hose couplings. The filter screens help prevent foreign materials from clogging the water mixing valve.

Refer to *Steam Dryers - Connect Water Inlet Hose* for more details.

Order of Installation Steps

1. Position and level the dryer.
2. Steam models only, connect the water inlet hose.
3. Connect dryer to exhaust system.
4. For gas models only, connect the gas supply pipe. Check for gas leaks.
5. For electric models only, connect the electrical cord.
6. Reverse the door, if desired.
7. Wipe out the inside of the dryer.
8. Plug in the dryer.
9. Recheck steps.
10. Start and run the dryer in a heat setting to verify dryer is heating.

Position and Level the Dryer

1. Install dryer before washer. This allows room for attaching exhaust duct.
2. Select a location with a solid floor. Dryers installed in residential garages must be elevated 457 mm [18 inches] above the floor.
No other fuel burning appliance should be installed in the same closet with the dryer.
The dryer must not be installed or stored in an area where it will be exposed to water and/or weather.
The dryer needs sufficient clearance and an adequate air supply for proper operation and ventilation, and for easier installation and servicing. (Minimum clearances are shown in *Figure 3*).
3. Place the dryer in position, and adjust the legs until the dryer is level from side to side and front to back. Leveling legs can be adjusted from inside the dryer with a 1/4 in. driver.

4. All four legs must rest firmly on the floor so the weight of the dryer is evenly distributed. The dryer must not rock.

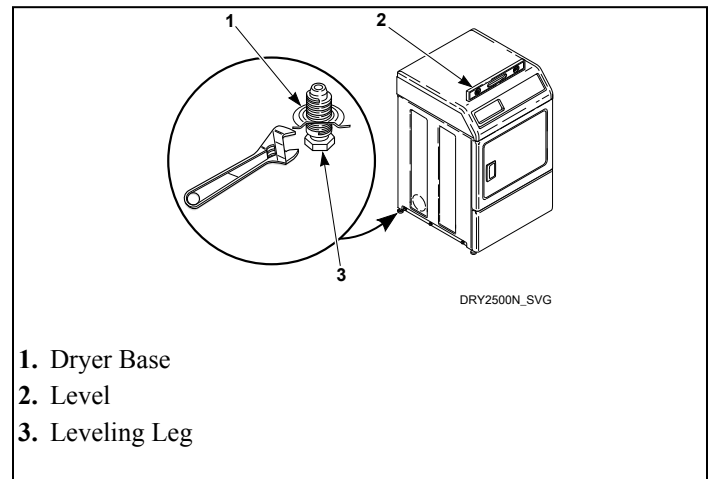
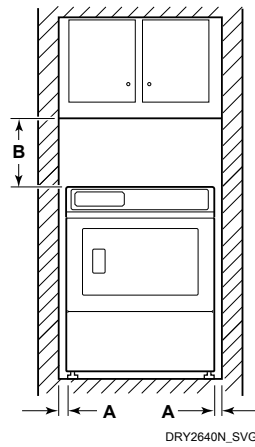
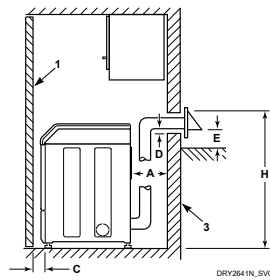


Figure 2

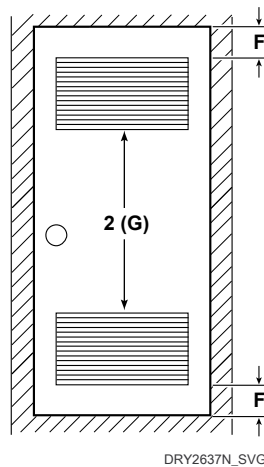
Front View (Without Closet Door)



Side View (Closet Door)



Front View (Closet Door)



1. Closet Door
2. Centered Air Openings (G) (2 Openings minimum)
3. Outer Wall of Enclosure

Figure 3

Area	Description	Free Standing/Alcove Installation	Closet Installation
A*	Dryer sides and rear clearance	0 mm [0 in.]	0 mm [0 in.]
B	Dryer top clearance	305 mm [12 in.]	305 mm [12 in.]
C	Dryer front clearance	Not Applicable	51 mm [2 in.]
D	Exhaust duct clearance to combustible material	51 mm [2 in.]	51 mm [2 in.]
E	Weather hood to ground clearance	305 mm [12 in.]	305 mm [12 in.]
F	Distance from floor or ceiling to air opening edge	Not Applicable	76 mm [3 in.]
G	Area of centered air openings in closet door. Louvered door with equivalent air openings is acceptable. (Minimum clearances are shown.)	Not Applicable	1016 sq. mm/open [40 sq. in./open]
H	For new installations, it is suggested to locate top of wall vent 1067 mm [42 inches] above floor to make venting easier to connect.	1067 mm [42 in.]	1067 mm [42 in.]
*	Rear clearance is minimum. 51 mm [2 inches] is recommended for utility connection. 152 mm [6 inches] is recommended when venting through rear of unit.		

Table 1

IMPORTANT: In mobile home installations, gas dryers MUST be permanently attached to the floor at the time of installation. Order No. 526P3 Hold Down Kit (available at extra cost) for a manufactured (mobile) home installation. Follow the instructions supplied with the kit.

Installation of unit must conform to the Manufactured Home Construction and Safety Standards, Title 24 CF4, Part 32-80 or Standard CAN/CSA-Z240 MH.

Steam Dryers - Connect Water Inlet Hose

If re-using the washer fill hose filter screen on an already installed washing machine, it must be cleaned before installing the steam connection. Turn on the water supply faucet and flush the line for approximately two minutes to remove any foreign materials that could clog the screen in the water valve. This is especially important when installing your steam dryer in a newly constructed or renovated building. Build-up may have occurred during construction.

Water pressure must be a minimum of 138 to a maximum of

827 kPa [minimum of 20 to a maximum of 120 pounds per square inch] static pressure measured at the faucet.

NOTE: Y-connector, extension/fill hose(s) and rubber washer for Y-Connector are not included with the dryer.

NOTE: Steam installation kit D519207 is available for purchase. It includes a six-foot water hose, a Y-connector and water leak detection paper.

1. Turn off water at shut-off valve.
2. Remove the plain rubber washer and filter screen from the accessories bag.
3. Disconnect cold-water inlet hose from water supply if washing machine is connected.
4. Insert rubber washer into Y-connector (both sold separately).
5. Install Y-connector onto cold-water supply (use extension hose if Y-connector cannot be installed directly on water supply).
6. Insert filter screen on the faucet end of inlet hose with the screen facing outward towards the faucet and the rubber washer on the valve end of the hose.

7. Connect filter screen end of the inlet hose to the Y-Connector.
8. Connect the rubber washer end of inlet hose to the fill valve on rear of dryer, thread hose coupling finger tight. Then turn 1/4 turn with pliers.

IMPORTANT: Do NOT cross thread or overtighten couplings. This will cause them to leak.

9. Connect/Reconnect washer inlet hose to the other end of Y-connector, thread hose coupling finger tight. Then turn 1/4 turn with pliers.
10. If installing new washing machine, connect hose to unit. Refer to washing machine install instructions.
11. Check that Y-connector valves are open (if applicable).
12. Turn water on and check for leaks. Wait 30 minutes and check again, some leaks are slow to show up.
13. If leaks are found, check and retighten the hose couplings.

NOTE: If leaks persist after checking and retightening hose coupling, check for crossing threading, and damaged hose(s) or rubber washer(s).

Installing Inlet Hose - Y-Connector on Water Supply:

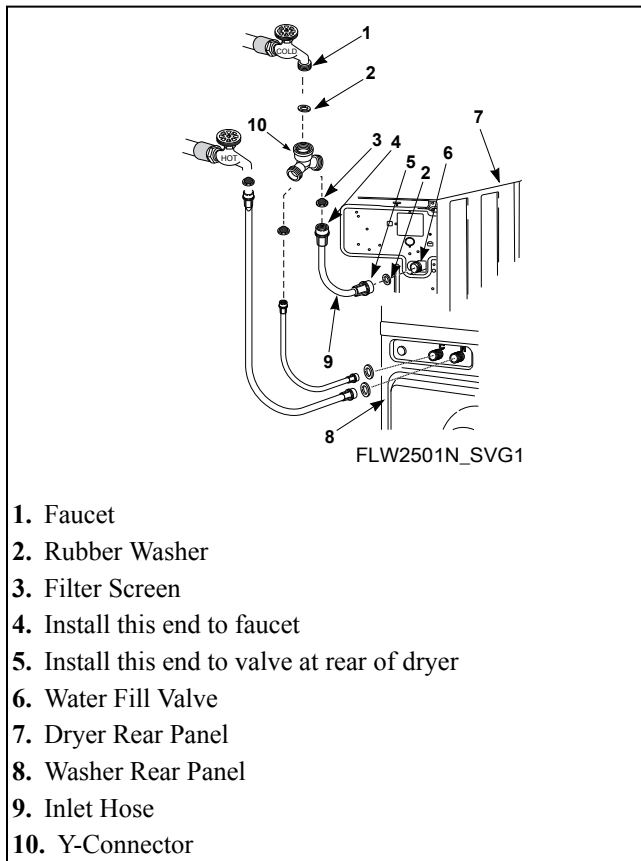


Figure 4

Installing Inlet Hose - Using Extension Hose to Y-connector:

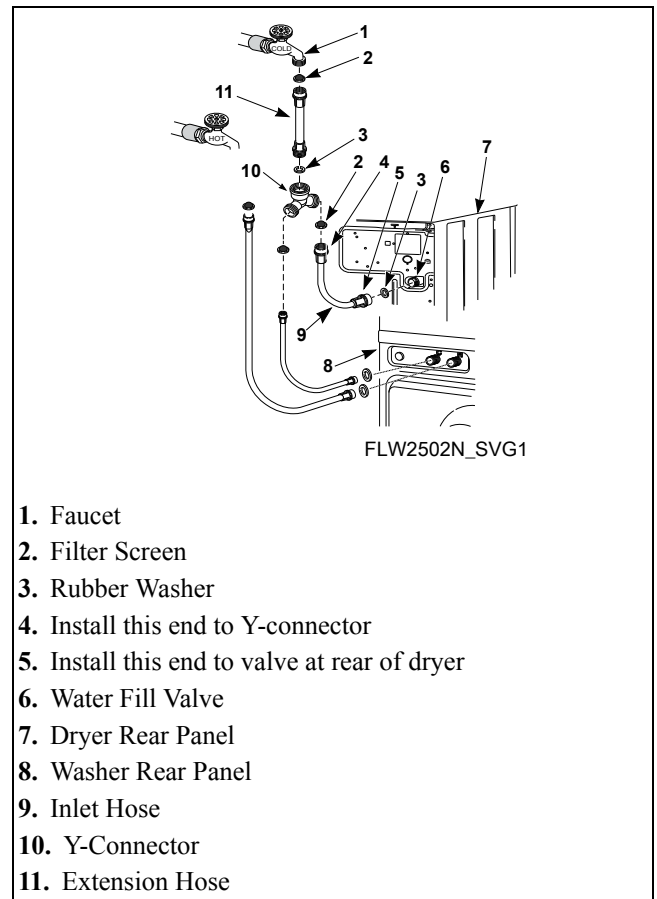


Figure 5


IMPORTANT:


Hoses and other rubber parts deteriorate after extended use. Hoses may develop cracks, blisters or material wear from the temperature and constant high pressure they are subjected to.


All hoses should be checked on a monthly basis for any visible signs of deterioration. Any hose showing the signs of deterioration listed above should be replaced immediately. All hoses should be replaced every five years.



Connect Dryer Exhaust System

	WARNING
<p>To reduce the risk of fire and combustion gas accumulation the dryer MUST be exhausted to the outdoors.</p>	
W604	

	WARNING
<p>To reduce the risk of fire and the accumulation of combustion gases, DO NOT exhaust dryer air into a window well, gas vent, chimney or enclosed, unventilated area, such as an attic, wall, ceiling, crawl space under a building or concealed space of a building.</p>	
W045	

	WARNING
<p>To reduce the risk of fire, DO NOT use plastic or thin foil ducting to exhaust the dryer.</p>	
W354	

	WARNING
<p>To reduce the risk of fire, the exhaust duct and weather hood MUST be fabricated of a material that will not support combustion. Rigid or flexible metal pipe is recommended for a clothes dryer.</p>	
W048	

	WARNING
	<p>Risk of fire. Do not install a booster fan in the exhaust duct.</p>
W1072	

NOTE: The booster fan warning does not apply to clothes dryers intended to be installed in a multiple clothes dryer system, with an engineered exhaust duct system that is installed per the clothes dryer manufacturer's guidelines.

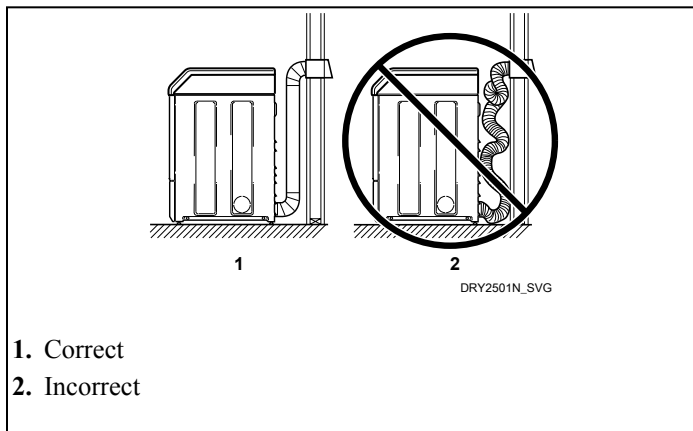


Figure 6

- DO NOT use plastic, thin foil or type B ducting. Rigid metal duct is recommended.
- Locate dryer so exhaust duct is as short as possible.
- Be certain old exhaust ducts are cleaned before installing your new dryer.
- Use 102 mm [4 inch] diameter rigid or flexible metal duct.
- The male end of each section of duct must point away from the dryer.
- Use as few elbows as possible.
- Use of duct tape or pop-rivets on all seams and joints is recommended, if allowed by local codes. DO NOT use sheet metal screws or fasteners on exhaust pipe joints which extend into the duct and catch lint.
- Ductwork that runs through unheated areas must be insulated to help reduce condensation and lint build-up on pipe walls.
- In mobile home installations, dryer exhaust duct must be secured to mobile home structure.
- Dryer exhaust duct **MUST NOT** terminate under mobile home.
- Exhaust duct must not be connected to any other duct, vent, or chimney.
- Dryer exhausts 220 cfm per unit (measured at back of dryer).
- DO NOT install flexible duct in concealed spaces, such as a wall or ceiling.
- Static pressure in exhaust duct should not be greater than 1.5 cm water column [0.6 inches water column], measured with manometer placed on exhaust duct 610 mm [2 feet] from dryer (check with dryer running and no load).
- Exhausting dryer in hard-to-reach locations can be done by installing 521P3 Flexible Metal Vent Kit (available as optional equipment at extra cost).
- Sufficient make-up air must be supplied to replace the air exhausted by the dryer. The free area of any opening for outside air must be at least 25806 mm² [40 in.²] per unit.
- Failure to exhaust dryer properly will void warranty.
- A dryer will dissipate 681,392 J/m² [60 Btu/ft²] of surface area exposed to the conditioned air.

NOTE: Venting materials are not supplied with the dryer (obtain locally).

IMPORTANT: DO NOT block the airflow at the bottom of the dryer's front panel with laundry, rugs, etc. Blockage will decrease airflow through the dryer, thus reducing the efficiency of the dryer.

Exhaust Direction

The dryer can be exhausted to the outdoors through the back, left, right or bottom of the dryer. **EXCEPTION:** Gas dryers cannot be vented out the left side because of the burner housing.

Dryer is shipped from factory ready for rear exhaust.

Exhausting the dryer through sides or bottom can be accomplished by installing a Directional Exhaust Kit, 528P3, avail-

able as optional equipment at extra cost.

Exhaust System

For best drying results, recommended maximum length of exhaust system is shown in *Table 2*.

To prevent backdraft when dryer is not in operation, outer end

of exhaust pipe must have a weather hood with hinged dampers (obtain locally).

NOTE: Weather hood should be installed at least 305 mm [12 inches] above the ground. Larger clearances may be necessary for installations where heavy snowfall can occur.

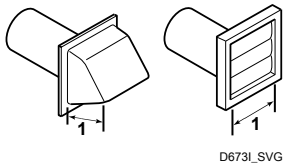
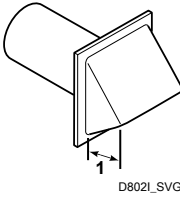

Number of 90° Elbows	Weather Hood Type	
	Recommended	Use Only for Short Run Installations
	 <p>1. 102 mm [4 in.]</p>	 <p>1. 64 mm [2.5 in.]</p>
Maximum length of 102 mm [4 in.] diameter rigid metal duct.		
0	19.8 m [65 feet]	16.8 m [55 feet]
1	16.8 m [55 feet]	14.3 m [47 feet]
2	14.3 m [47 feet]	12.5 m [41 feet]
3	11.0 m [36 feet]	9.1 m [30 feet]
4	8.5 m [28 feet]	6.7 m [22 feet]

Table 2

NOTE: Deduct 1.8 m [6 feet] for each additional elbow.

NOTE: The maximum length of a 102 mm [4 in.] diameter flexible metal duct must not exceed 2.4 m [7.87 ft.] , as required to meet UL2158, clause 7.3.2.A.

Gas Dryers - Connect Gas Supply Pipe

	WARNING
<p>To reduce the risk of gas leaks, fire or explosion:</p> <ul style="list-style-type: none"> • The dryer must be connected to the type of gas as shown on nameplate located in the door recess. • Use a new flexible stainless steel connector. • Use pipe joint compound insoluble in L.P. (Liquefied Petroleum) Gas, or Teflon tape, on all pipe threads. • Purge air and sediment from gas supply line before connecting it to the dryer. Before tightening the connection, purge remaining air from gas line to dryer until odor of gas is detected. This step is required to prevent gas valve contamination. • Do not use an open flame to check for gas leaks. Use a non-corrosive leak detection fluid. • Any disassembly requiring the use of tools must be performed by a suitably qualified service person. 	
W316	

NOTE: Gas installation kit D519208 is available for purchase. The kit includes a six-foot gas hose, an 8-foot hose, two 90-degree elbows, four hose clamps and the necessary adapters.

1. Make certain your dryer is equipped for use with the type of gas in your laundry room. Dryer is equipped at the factory for Natural Gas with a 3/8 inch NPT gas connection.

NOTE: The gas service to a gas dryer must conform with the local codes and ordinances, or in the absence of local codes and ordinances, with the latest edition of the National Fuel Gas Code ANSI Z223.1/NFPA 54 or the CAN/CSA-B149.1 Natural Gas and Propane Installation Code.

Natural Gas, 37.3 MJ/m³ [1000 Btu/ft³], service must be supplied at minimum 5.0 inch water column pressure to maximum 10.5 inch water column pressure.

For proper operation at altitudes above 915 m [3000 feet] the natural gas valve spud orifice size must be reduced to ensure complete combustion. Refer to *Table 3*.

Natural Gas Altitude Adjustments			
Altitude	Orifice Size		Part No.
	m [feet]	No.	
915 [3000]	43	2.26 [0.0890]	D503778

Table 3 continues...

Natural Gas Altitude Adjustments			
Altitude	Orifice Size		Part No.
	m [feet]	No.	
1830 [6000]	44	2.18 [0.0860]	58719
2440 [8000]	45	2.08 [0.0820]	D503779
2740 [9000]	46	2.06 [0.0810]	D503780
3050 [10,000]	47	1.99 [0.0785]	D503781

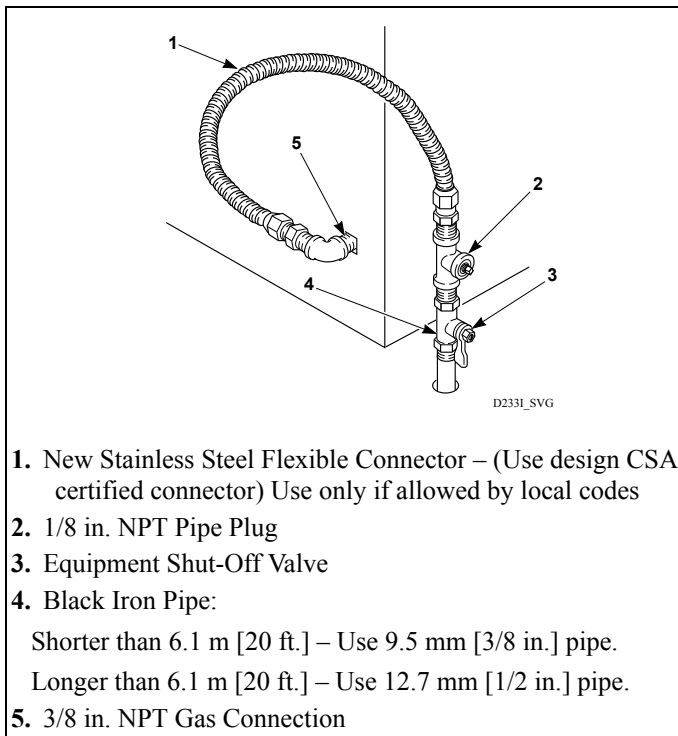
Table 3

2. Remove the shipping cap from the gas connection at the rear of the dryer. Make sure you do not damage the pipe threads when removing the cap.
3. Connect to gas supply pipe using thread sealant or Teflon tape. Torque 10.2 - 19.7 Nm [90 - 175 inch-pounds].

NOTE: The connection of gas supply to the appliance shall be made with a flexible hose suitable for the appliance category in accordance with national installation regulations of the country of destination. If in doubt contact the dryer distributor or manufacturer.

NOTE: When connecting to a gas line, an equipment shut-off valve in accordance with the National Fuel Gas Code, ANSI Z223.1/NFPA 54 and the Natural Gas and Propane Installation Code, CSA B149.1 must be installed within 1.8 m [6 feet] of the dryer. An 1/8 in. NPT pipe plug must be installed as shown for checking inlet pressure. Refer to *Figure 7*.

Starting Serial No. 1908000001, the following must be furnished and installed by the customer for the gas service line to dryer: Union at gas supply connection (listed to ANSI Z21.24 and CSA 6.10).



1. New Stainless Steel Flexible Connector – (Use design CSA certified connector) Use only if allowed by local codes
2. 1/8 in. NPT Pipe Plug
3. Equipment Shut-Off Valve
4. Black Iron Pipe:
Shorter than 6.1 m [20 ft.] – Use 9.5 mm [3/8 in.] pipe.
Longer than 6.1 m [20 ft.] – Use 12.7 mm [1/2 in.] pipe.
5. 3/8 in. NPT Gas Connection

Figure 7

4. Tighten all connections securely but don't overtighten to avoid breaking or bending the gas valve bracket. Turn on gas and check all pipe connections (internal & external) for gas leaks with a non-corrosive leak detection fluid.

NOTE: The dryer and its appliance main gas valve must be disconnected from the gas supply piping system during any pressure testing of that system at test pressures in excess of 3.45 kPa [1/2 psi] . Refer to *Check Heat Source*.

NOTE: DO NOT connect the dryer to L.P. Gas Service without converting the gas valve. Install L.P. Gas Conversion Kit 649P3, available at extra cost.

L.P. (Liquefied Petroleum) Gas, 93.1 MJ/m³ [2500 Btu/ft.³], service must be supplied at 10 ± 1.5 inch water column pressure.

For proper operation at altitudes above 915 m [3000 feet] the L.P. gas valve spud orifice size must be reduced to ensure complete combustion. Refer to *Table 4*.

L.P. Altitude Adjustments			
Altitude	Orifice Size		Part No.
	m [feet]	No.	
915 [3000]	55	1.32 [0.0520]	58755

Table 4

continues...

L.P. Altitude Adjustments			
Altitude	Orifice Size		Part No.
	m [feet]	No.	
2440 [8000]	56	1.18 [0.0465]	D503786

Table 4

Connect Electrical Plug (Electric Dryer Only)

Dryer requires 120/240 Volt or 120/208 Volt, 60 Hertz, 3 or 4 wire electrical supply. Refer to serial plate for specific electrical requirements.

NOTE: Electrical installation kits D519206 (3-wire) and D519205 (4-wire) are available for purchase. The kits include an 8-foot semi-rigid dryer vent, four metal dryer vent clamps, two 90-degree metal elbows and an electrical cord.


IMPORTANT: Use only a new U.L. listed No. 10 (copper wire only) three or four conductor power supply cord kit rated 240 Volts (minimum) 30 Amperes and labeled as suitable for use in a clothes dryer.

NOTE: The wiring diagram is located in the control cabinet.

	WARNING
<p>To reduce the risk of fire, electric shock, serious injury or death, all wiring and grounding MUST conform with the latest edition of the National Electrical Code, ANSI/NFPA 70, or the Canadian Electrical Code, CSA C22.1, and such local regulations as might apply. It is the customer's responsibility to have the wiring and fuses installed by a qualified electrician to make sure adequate electrical power is available to the dryer.</p>	
W521	

Grounding Information

This appliance must be grounded. In the event of malfunction or breakdown, grounding will reduce the risk of electric shock by providing a path of least resistance for electric current. The cord-kit must be equipped with a cord having an equipment-grounding conductor and a grounding plug. The plug must be plugged into an appropriate outlet that is properly installed and grounded in accordance with all local codes and ordinances.

	WARNING
<p>Improper connection of the equipment-grounding conductor can result in a risk of electric shock. Check with a qualified electrician or service person if you are in doubt as to whether the dryer is properly grounded.</p>	
W038	

Do not modify the plug provided with the cord-kit - if it will not fit the outlet, have a proper outlet installed by a qualified electrician.

The dryer has its own terminal block that must be connected to a separate branch, 60 Hertz, single phase circuit, AC (alternating current) circuit, fused at 30 Amperes (the circuit must be fused on both sides of the line). Electrical service for the dryer should be of maximum rated voltage (208 or 240 Volt, depending on heating element) listed on the nameplate. Do not connect dryer to 110, 115, or 120 Volt circuit.

Heating elements are available for field installation in dryers which are to be connected to electrical service of different voltage than that listed on nameplate, such as 208 Volt.

NOTE: Branch circuit wire size requirements to laundry room outlet are shown in table below.

Wire Length	Wire
Less than 15 ft. [4.5 m]	Listed No. 10 AWG Copper wire only

Table 5

continues...

Wire Length	Wire
Longer than 15 ft. [4.5 m]	Listed No. 8 AWG Copper wire only

Table 5

The power cord connection between wall receptacle and dryer terminal block IS NOT supplied with dryer. Type of power cord and gauge of wire must conform to local codes.

Connecting Power Cord with Three-Wire Plug

NOTE: Four-wire cord is required for new branch-circuit installations, mobile homes or where codes do not permit grounding through neutral.

NOTE: The power cord is NOT supplied with the electric dryer. Type of power cord and gauge of wire must conform to local codes and instructions. The method of wiring the dryer is optional and subject to local code requirements.

NOTE: Connect the dryer to the power supply with the MAXIMUM RATED VOLTAGE listed on the serial plate.

NOTE: Use COPPER WIRE only.

**Shorter than 15 ft. (4.5 m) – use 10 AWG
Longer than 15 ft. (4.5 m) – use 8 AWG**

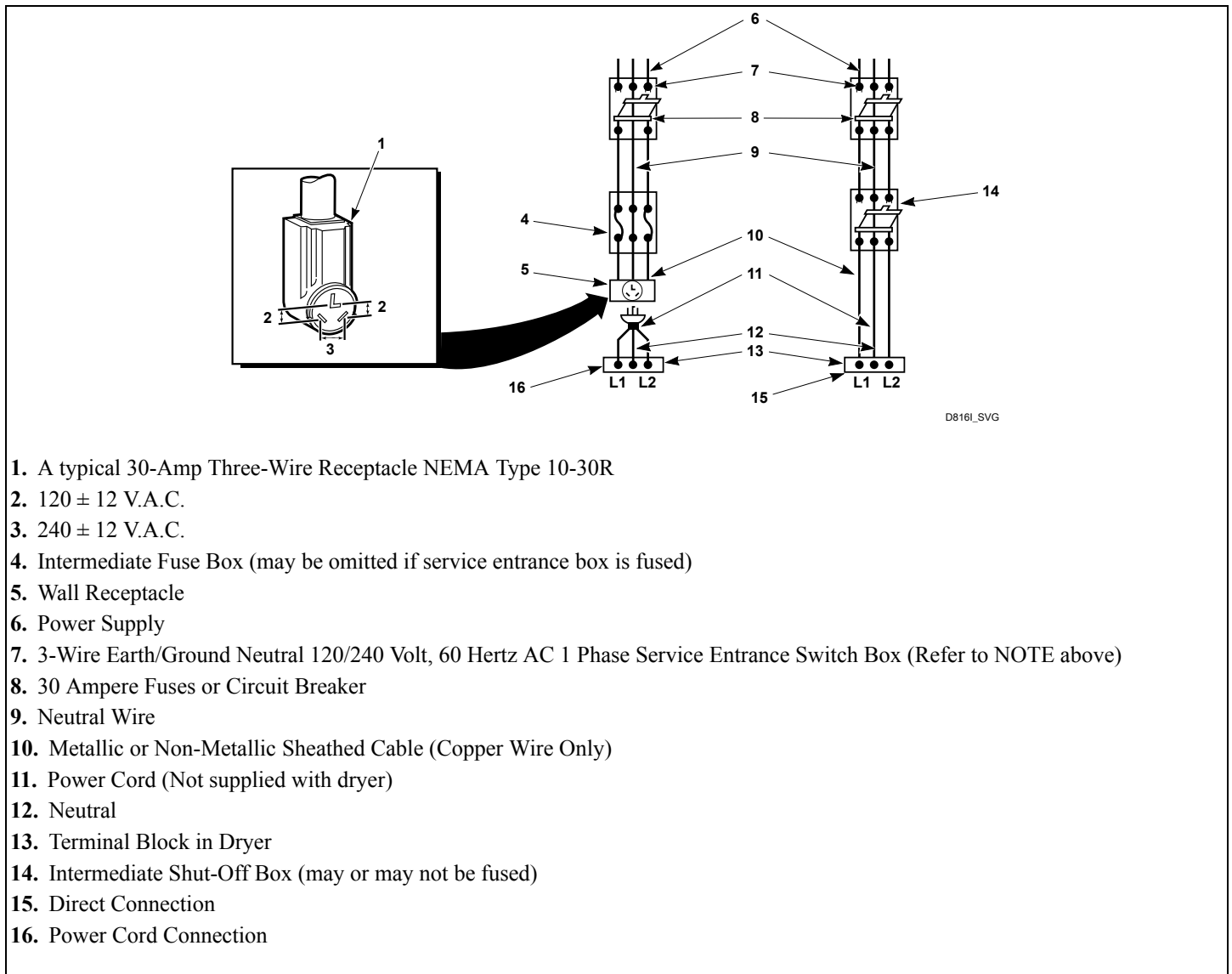


Figure 8

1. Disconnect power to dryer.
2. Remove access cover from rear of dryer.

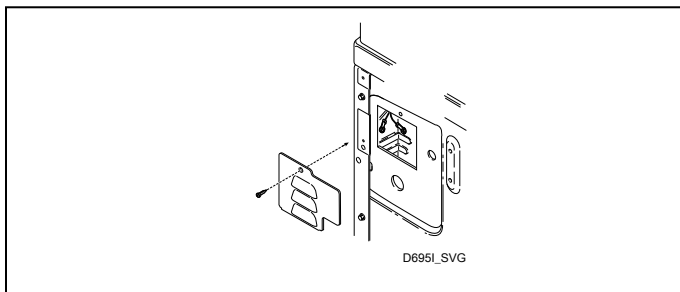


Figure 9

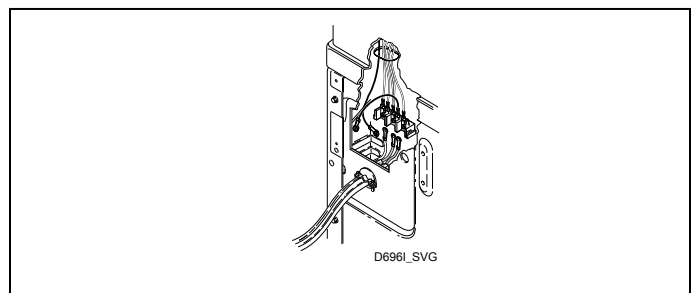


Figure 10

3. Use a strain relief and insert end of power cord through power supply hole.

4. Use the three screws from the accessories bag to attach the power cord wires to the terminal block. Refer to *Figure 11*.

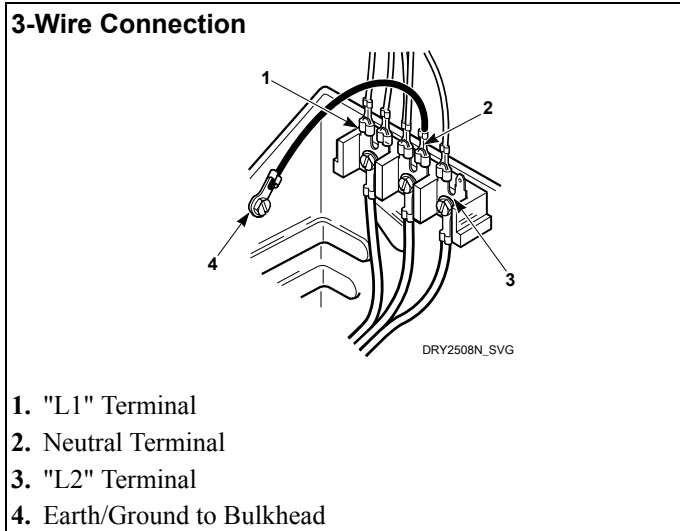


Figure 11

1. "L1" Terminal
2. Neutral Terminal
3. "L2" Terminal
4. Earth/Ground to Bulkhead

5. Using a screwdriver, tighten all screws firmly.
IMPORTANT: Failure to tighten these screws firmly may result in wire failure at the terminal block.
6. Secure the strain relief to the power cord, or wires, where they enter the dryer cabinet.
7. Check the continuity of the earth/ground connection before plugging the cord into an outlet. Use an acceptable indicating device connected to the center earth/ground pin of the plug and the green screw on the back of the cabinet.
8. Reinstall access cover and screw.

Connecting Power Cord with Four-Wire Plug

NOTE: Four-wire cord is required for new branch-circuit installations, mobile homes or where codes do not permit grounding through neutral.

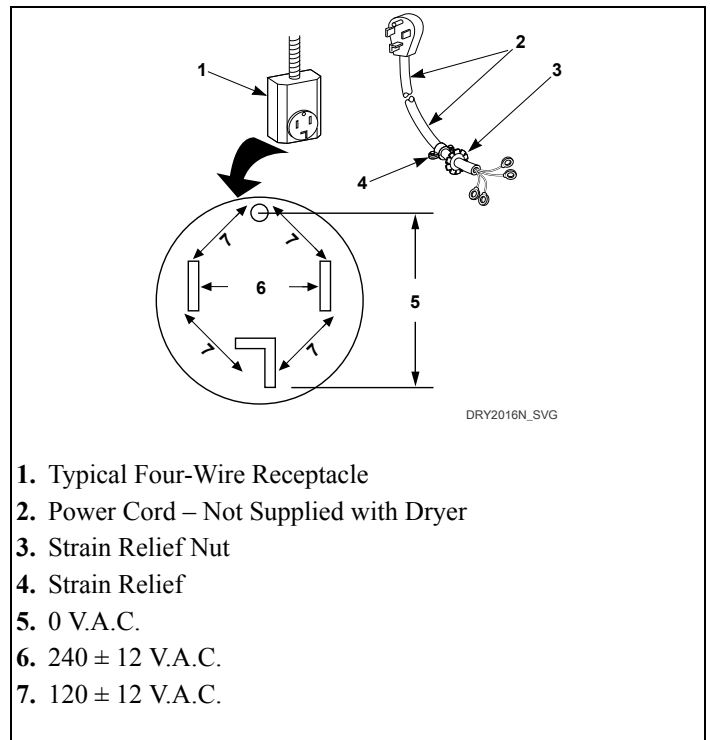


Figure 12

1. Typical Four-Wire Receptacle
2. Power Cord – Not Supplied with Dryer
3. Strain Relief Nut
4. Strain Relief
5. 0 V.A.C.
6. 240 ± 12 V.A.C.
7. 120 ± 12 V.A.C.

1. Disconnect power to dryer.
2. Remove access cover from rear of dryer.

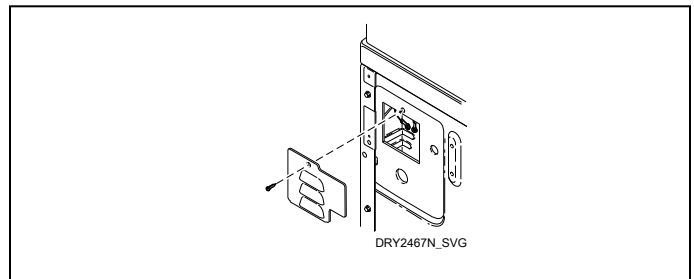
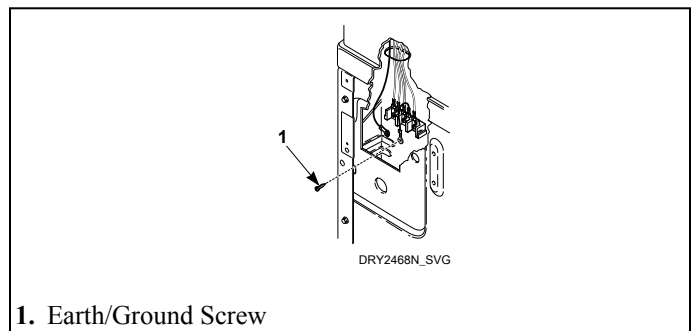


Figure 13

3. Remove earth/ground screw from earth/ground to neutral wire and save for use in Step 5. Earth/ground to neutral wire will be attached to the neutral terminal in Step 6.



1. Earth/Ground Screw

Figure 14

- Use a strain relief and insert end of power cord through power supply hole.

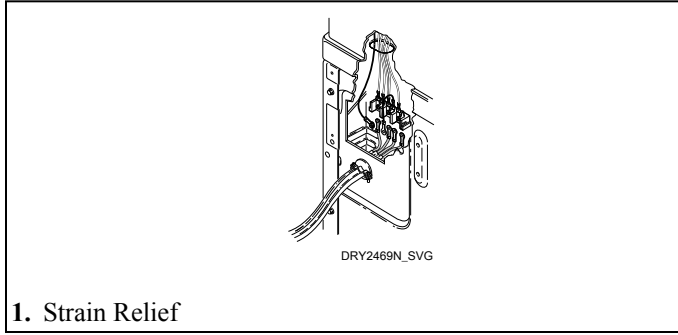


Figure 15

- Attach power cord earth/ground (green) wire to rear bulkhead using earth/ground screw removed in Step 3.

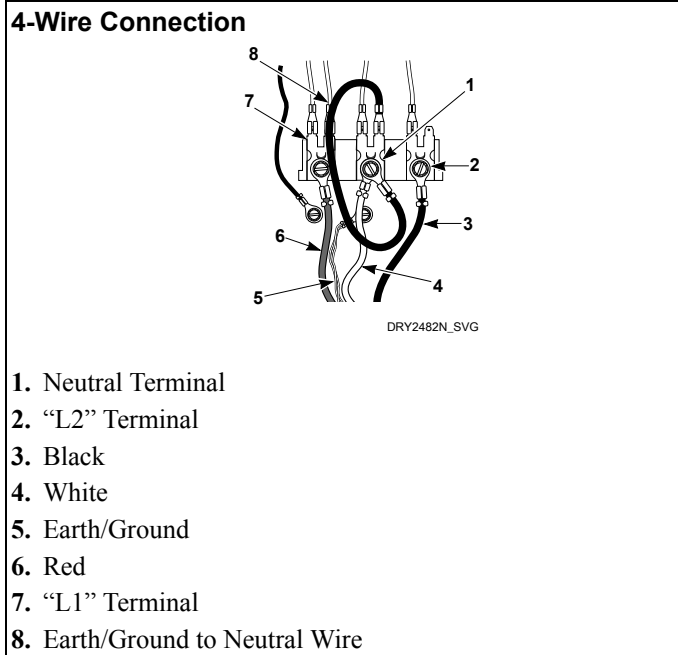


Figure 16

- Use the three screws from the accessories bag to attach the remaining power cord wires to the terminal block as follows:
 - Red wire to “L1” terminal.
 - Black wire to “L2” terminal.
 - White wire to Neutral terminal.

NOTE: When installing the white wire, loop the free eyelet end of the earth/ground to neutral wire (removed in Step 3) and attach along with the white wire to the neutral (center) terminal on the terminal block.

- Using a screwdriver, tighten all screws firmly.

IMPORTANT: Failure to tighten these screws firmly may result in wire failure at the terminal block.

- Secure the strain relief to the power cord, or wires, where they enter the dryer cabinet.
- Check the continuity of the earth/ground connection before plugging the cord into an outlet. Use an acceptable indicating device connected to the center earth/ground pin of the plug and the green screw on the back of the cabinet.
- Reinstall access cover and screw.

Reverse Door, if Desired

NOTE: Doors with windows cannot be reversed.

The door on this dryer is completely reversible. To reverse door proceed as follows:

- Remove four hinge attaching screws.

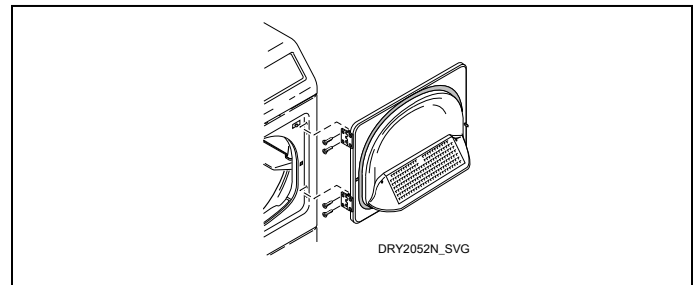


Figure 17

- Remove all nine screws.

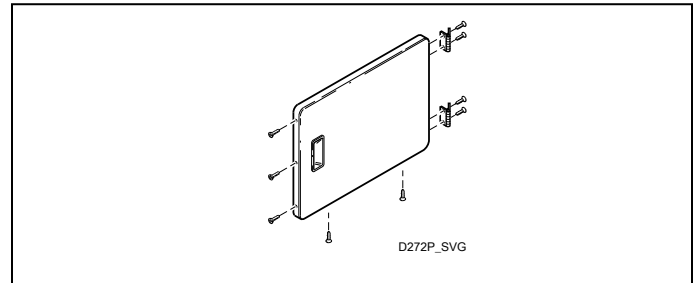


Figure 18

- Pull bottom of door liner out, then pull down, removing door liner from door panel.

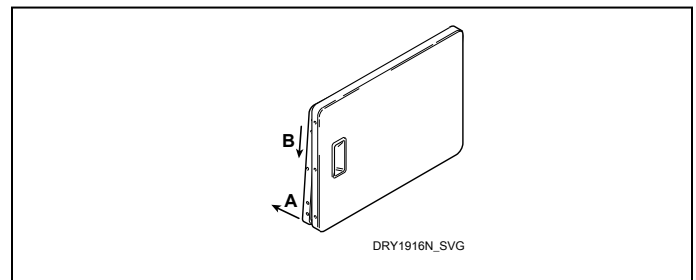


Figure 19

- Rotate door panel 180 degrees as shown.

Installation

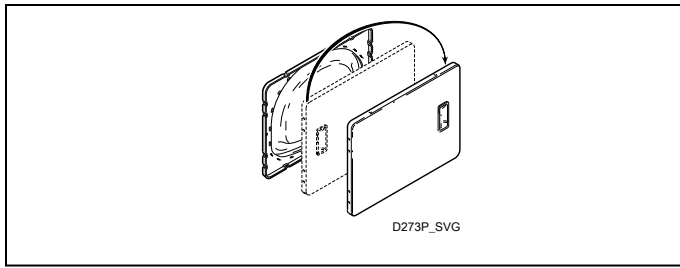


Figure 20

5. Remove door strike from door liner and reinstall on opposite side.

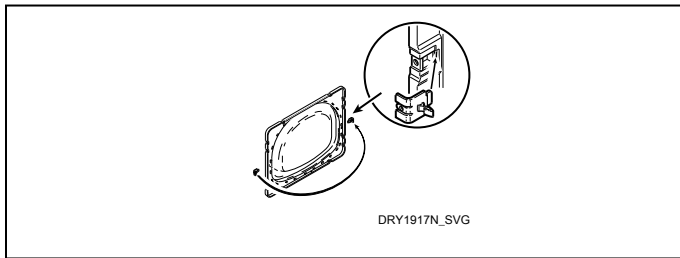


Figure 21

6. Insert liner under flange on bottom of door, then push top of door liner into place.

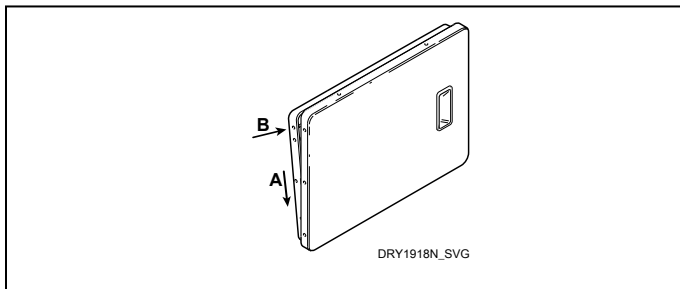


Figure 22

7. Reinstall nine screws removed in Step 2.

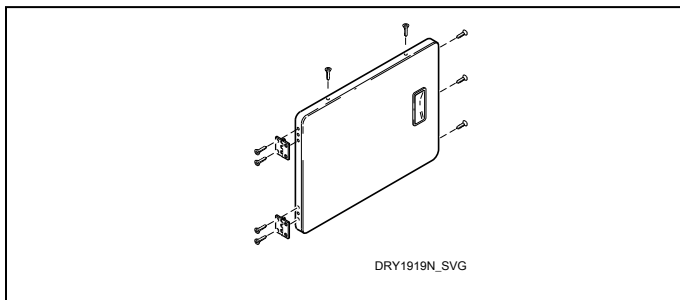


Figure 23

8. Using screwdriver, remove two door plugs, and reinstall on opposite side of door opening.

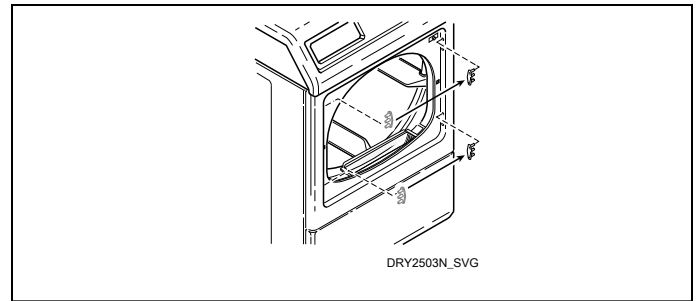


Figure 24

9. Reinstall four hinge attaching screws, removed in Step 1.

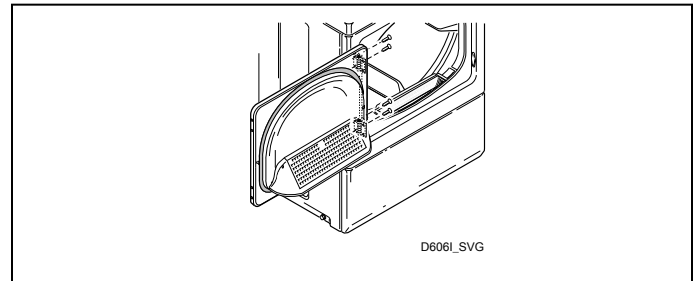


Figure 25

Wipe Out Inside of Dryer

1. Before using dryer for the first time, use an all-purpose cleaner, or a detergent and water solution, and a damp cloth to remove shipping dust from inside dryer drum.

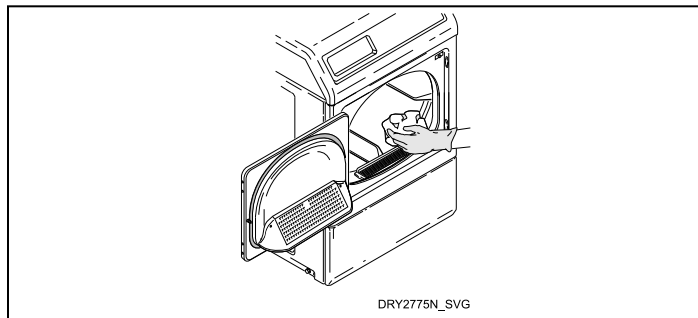



Figure 26

Plug In the Dryer

This appliance is to be supplied through a residual current device (RCD) having a rated residual operating current not exceeding 30 mA.

	WARNING
<p>The appliance must not be supplied through an external switching device, such as a timer, or connected to a circuit that is regularly switched on and off by a utility.</p>	
W943	

Electric Dryer

Connect the dryer to an electrical power source. Refer to *Electric Dryer Only - Connect Electrical Plug* for information on connecting power cord.

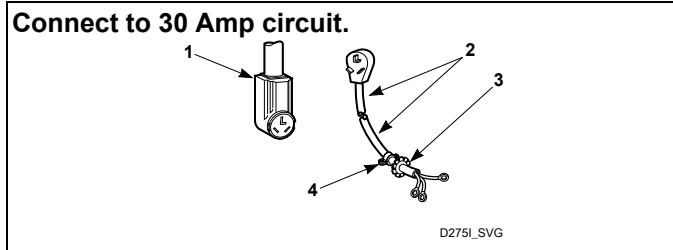



Figure 27

Gas Dryers

Dryer requires 120 Volt, 60 Hertz electrical supply and comes equipped with a 3-prong grounding plug. Refer to serial plate for specific electrical requirements.

NOTE: The wiring diagram is located in the control cabinet.

	WARNING
<p>To reduce the risk of fire, electric shock, serious injury or death, all wiring and grounding MUST conform with the latest edition of the National Electrical Code, ANSI/NFPA 70, or the Canadian Electrical Code, CSA C22.1, and such local regulations as might apply. It is the customer's responsibility to have the wiring and fuses installed by a qualified electrician to make sure adequate electrical power is available to the dryer.</p>	
W521	

When plugging in the dryer:

- Do not overload circuits.
- Do not use an adapter.
- Do not use an extension cord.
- Do not operate both a washer and gas dryer on the same circuit. Use separately fused 15 amp circuits.


The dryer is designed to be operated on a separate branch, polarized, three-wire, effectively grounded, 120 Volt, 60 Hertz, AC (alternating current) circuit protected by a 15 Ampere fuse,


equivalent fuse or circuit breaker.

The three-prong grounding plug on the power cord should be plugged directly into a polarized three-slot effectively grounded receptacle rated 120 Volts AC (alternating current) 15 Amps. Refer to *Figure 28* to determine correct polarity of the wall receptacle.

Grounding Information

This dryer must be grounded. In the event of malfunction or breakdown, grounding will reduce the risk of electric shock by providing a path of least resistance for electric current. The dryer is equipped with a cord having an equipment-grounding conductor and a 3 prong grounding plug. The three-prong grounding plug on the power cord should be plugged directly into a polarized three-slot effectively grounded receptacle rated 110/120 Volts AC (alternating current) 15 Amps.


	WARNING
<p>This dryer is equipped with a three-prong (grounding) plug for your protection against shock hazard and should be plugged directly into a properly grounded three-prong receptacle. Do not cut or remove the grounding prong from this plug.</p>	
W036	

	WARNING
<p>Improper connection of the equipment-grounding conductor can result in a risk of electric shock. Check with a qualified electrician or service person if you are in doubt as to whether the dryer is properly grounded.</p>	
W038	

Do not modify the plug provided with the dryer - if it will not fit the outlet, have a proper outlet installed by a qualified electrician.

NOTE: Have a qualified electrician check the polarity of the wall receptacle. If a voltage reading is measured other than that listed on the dryer's nameplate, the qualified electrician should correct the problem.

Do not operate other appliances on the same circuit when this appliance is operating.

	WARNING
<p>To reduce the risk of an electric shock or fire, DO NOT use an extension cord or an adapter to connect the dryer to the electrical power source.</p>	
W037	

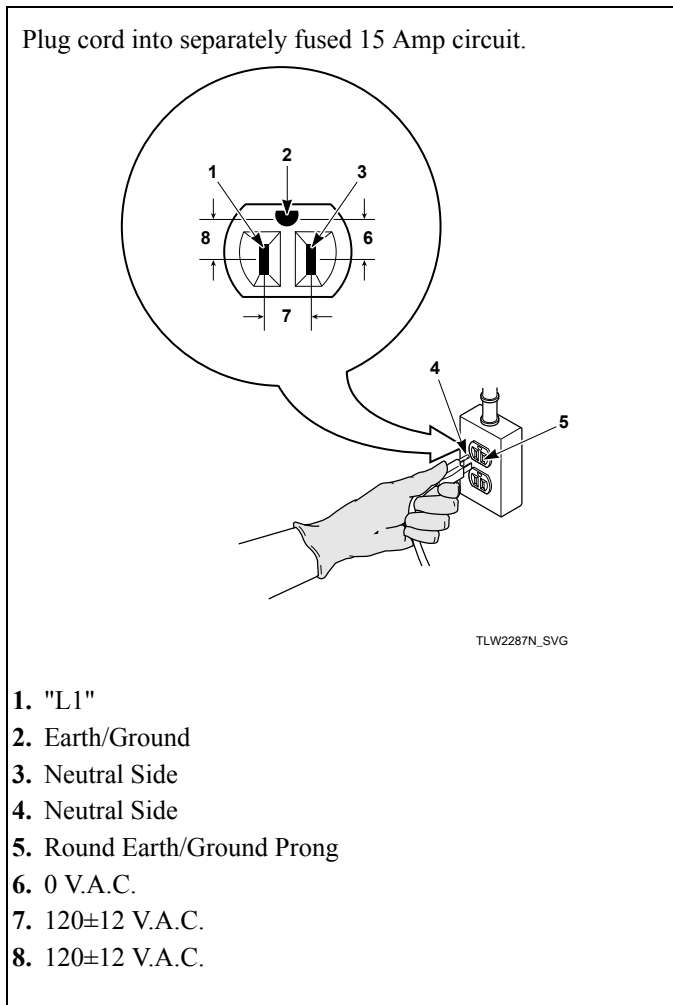


Figure 28

Recheck Steps

Refer to Installer Checklist on the back cover of this manual and make sure that dryer is installed correctly. After installation is complete, run the dryer through a cycle to test its operation.

Check Heat Source

Electric Dryers

1. Close the loading door and start the dryer in a heat setting (refer to the operation instructions).
2. After the dryer has operated for three minutes, the exhaust air or exhaust pipe should be warm.

Gas Dryers

IMPORTANT: This operation is to be conducted by qualified personnel only.

1. To view the burner flame, remove the lower front panel of the dryer.

2. Close the loading door and start the dryer in a heat setting (refer to the operation instructions). The dryer will start, the igniter will glow red and the main burner will ignite.

IMPORTANT: If all air is not purged out of gas line, gas igniter may go off before gas is ignited. If this happens, after approximately two minutes igniter will again attempt gas ignition.

IMPORTANT: If igniter does not light, make sure gas is turned on.

3. After the dryer has operated for approximately five minutes, observe burner flame through lower front panel.
4. Adjust the air shutter to obtain a soft, uniform blue flame. (A lazy, yellow-tipped flame indicates lack of air. A harsh, roaring, very blue flame indicates too much air.) Adjust the air shutter as follows:
 - a. Loosen the air shutter lockscrew.
 - b. Turn the air shutter to the left to get a luminous yellow-tipped flame, then turn it back slowly to the right to obtain a steady, soft blue flame.
 - c. After the air shutter is adjusted for proper flame, tighten the air shutter lockscrew securely.
5. Reinstall the lower front panel.

	WARNING
To reduce the risk of serious injury or death, lower front panel must be in place during normal operation.	
W158	

6. After the dryer has operated for approximately three minutes, exhaust air or exhaust pipe should be warm.

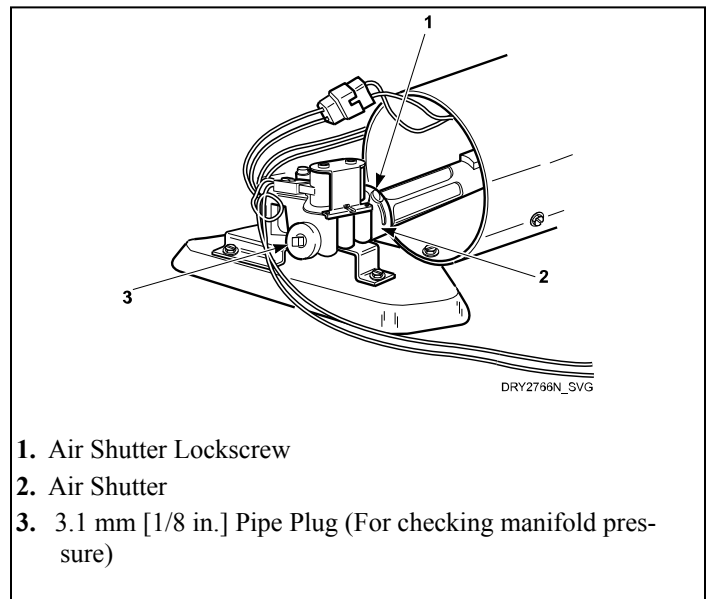
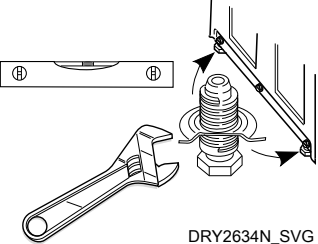
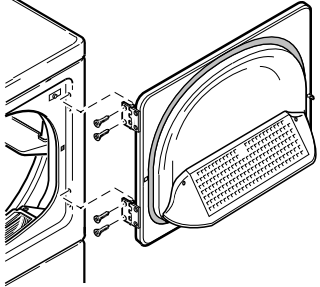
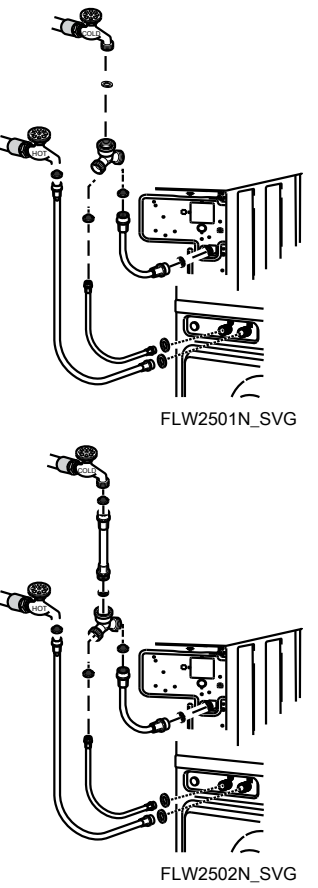
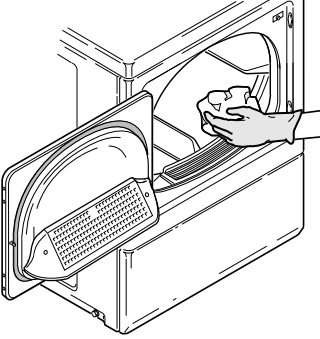


Figure 29

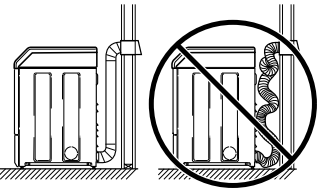
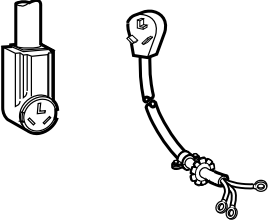
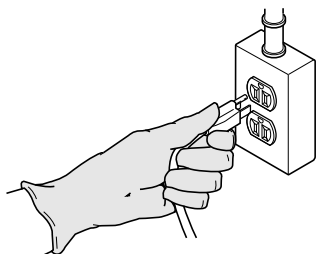
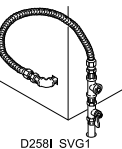
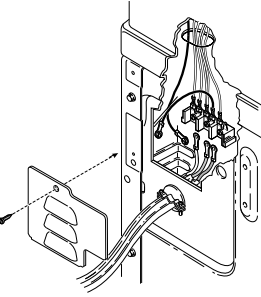
Installer Checklist

Fast Track for Installing the Dryer

1	Position and Level the Dryer.	 <p>DRY2634N_SVG</p>	6	Reverse Door, if Desired.	
	CHECK			CHECK	 <p>D675I_SVG1</p>
2	STEAM MODELS ONLY Connect Water Inlet Hose.	 <p>FLW2501N_SVG</p> <p>FLW2502N_SVG</p>	7	Wipe Out Inside of Dryer.	
	CHECK			CHECK	 <p>DRY2767N_SVG2</p>

continues...

Installer Checklist

3	Connect Dryer Exhaust System.	 <p>DRY2501N_SVG1</p>	8	Plug In the Dryer.	Electric
	CHECK			CHECK	 <p>D275I_SVG1</p> <p>Gas</p>  <p>TLW2289N_SVG</p>
4	<p>GAS ONLY</p> <ul style="list-style-type: none"> • Connect Gas Supply Pipe. • Check for Gas Leaks. 	 <p>D258I_SVG1</p>	9	Recheck Steps.	
	CHECK			CHECK	
5	<p>ELECTRIC ONLY</p> <ul style="list-style-type: none"> • Connect Electrical Cord. 	 <p>D699I_SVG1</p>	10	Start and Run Dryer in Heat Setting to Verify Dryer is Heating.	
	CHECK			CHECK	

Refer to the manual for more detailed information.